

SAFETY INSTRUCTIONS

Download the complete instruction manual <http://docs.whirlpool.eu> or call the phone number shown on the warranty booklet.

⚠ These instructions are valid if the country symbol appears on the appliance. If the symbol doesn't appear on the appliance, it is necessary to refer to the technical instructions which will provide the necessary instructions concerning modification of the appliance to the conditions of use of the country.

⚠ CAUTION: The use of the gas cooking appliance results in the production of heat, moisture and products of combustion in the room in which it is installed. Ensure that the kitchen is well ventilated especially when the appliance is in use: keep natural ventilation holes open or install a mechanical ventilation device (mechanical extractor hood). Prolonged intensive use of the appliance may call for additional ventilation, such as opening a window, or more effective ventilation, for example increasing the level of mechanical ventilation (if possible).

⚠ Failure to follow the information in this manual exactly may cause a fire or explosion, resulting in property damage or personal injury.

Before using the appliance, read these safety instructions. Keep them nearby for future reference.

These instructions and the appliance itself provide important safety warnings, to be observed at all times. The manufacturer declines any liability for failure to observe these safety instructions, for inappropriate use of the appliance or incorrect setting of controls.

⚠ WARNING: If the hob surface is cracked, don't use the appliance – risk of electrical shock.

⚠ WARNING: Danger of fire: Do not store items on the cooking surfaces.

⚠ CAUTION: The cooking process has to be supervised. A short cooking process has to be supervised continuously.

⚠ WARNING: Unattended cooking on a hob with fat or oil can be dangerous – risk of fire. NEVER try to extinguish a fire with water, but switch off the appliance and then cover flame e.g. with a lid or a fire blanket.

⚠ Do not use the hob as a work surface or support. Keep clothes or other flammable materials away from the appliance, until all the components have cooled down completely – risk of fire.

⚠ Very young children (0-3 years) should be kept away from the appliance. Young children (3-8 years) should be kept away from the appliance unless continuously supervised. Children from 8 years old and above and persons with reduced physical, sensory or mental capabilities or lack of experience and knowledge can use this appliance only if they are supervised or have been given instructions on safe use and understand the hazards involved. Children must not play with the appliance. Cleaning and user maintenance must not be carried out by children without supervision.

IMPORTANT TO BE READ AND OBSERVED

⚠ CAUTION: In case of hotplate glass breakage: shut immediately off all burners and any electrical heating element and isolate the appliance from the power supply; do not touch the appliance surface; do not use the appliance.

The glass lid can break in if it is heated up. Turn off all the burners and the electric plates before closing the lid. Do not shout down lid when burner alight.

⚠ WARNING: The appliance and its accessible parts become hot during use. Care should be taken to avoid touching heating elements. Children less than 8 years of age must be kept away unless continuously supervised.

PERMITTED USE

⚠ CAUTION: the appliance is not intended to be operated by means of an external switching device, such as a timer, or separate remote controlled system.

⚠ This appliance is intended to be used in household and similar applications such as: staff kitchen areas in shops, offices and other working environments; farm houses; by clients in hotels, motels, bed & breakfast and other residential environments.

⚠ No other use is permitted (e.g. heating rooms).

⚠ This appliance is not for professional use. Do not use the appliance outdoors.

⚠ Use pots and pans with bottoms the same width as that of the burners or slightly larger (see specific table). Make sure pots on the grates do not protrude beyond the edge of the hob.

⚠ Improper use of the grids can result in damage to the hob: do not position the grids upside down or slide them across the hob.

Do not let the burner flame extend beyond the edge of the pan.

If the hob surface is in glass material, do not use the cast iron griddles, ollar stones, terracotta pots and pans.

Do not use: heat diffusers such as metal mesh, or any other types; two burners simultaneously for one receptacle (e.g. Fish kettle).

Should particular local conditions of the delivered gas make the ignition of burner difficult, it is advisable to repeat the operation with the knob turned to small flame setting.

In case of installation of a hood above the cooktop, please refer to the hood instructions for the correct distance.

The protective rubber feet on the grids represent a choking hazard for young children. After removing the grids, please ensure that all the feet are correctly fitted.

INSTALLATION

⚠ The appliance must be handled and installed by two or more persons - risk of injury. Use protective gloves to unpack and install - risk of cuts.

⚠ The electrical and gas connections must comply with local regulation.

⚠ Installation, including water supply (if any) and electrical connections, and repairs must be carried out by a qualified technician. Do not repair or replace any part of the appliance unless specifically stated in the user manual. Keep children away from the installation site. After unpacking the appliance, make sure that it has not been damaged during transport. In the event of problems, contact the dealer or your nearest After-sales Service. Once installed, packaging waste (plastic,

styrofoam parts etc.) must be stored out of reach of children - risk of suffocation. The appliance must be disconnected from the power supply before any installation operation - risk of electrical shock. During installation, make sure the appliance does not damage the power cable - risk of fire or electrical shock. Only activate the appliance when the installation has been completed.

⚠ **WARNING:** Modification of the appliance and its method of installation are essential in order to use the appliance safely and correctly in all the additional countries.

⚠ Use pressure regulators suitable for the gas pressure indicated in the instruction.

⚠ The room must be equipped with an air extraction system that expels any combustion fumes.

⚠ The room must also allow proper air circulation, as air is needed for combustion to occur normally. The flow of air must not be less than 2 m³/h per kW of installed power.

⚠ The air circulation system may take air directly from the outside by means of a pipe with an inner cross section of at least 100 cm²; the opening must not be vulnerable to any type of blockages.

⚠ The system can also provide the air needed for combustion indirectly, i.e. from adjacent rooms fitted with air circulation tubes as described above. However, these rooms must not be communal rooms, bedrooms or rooms that may present a fire hazard.

⚠ Liquid petroleum gas sinks to the floor as it is heavier than air. Therefore, rooms containing LPG cylinders must also be equipped with vents to allow gas to escape in the event of a leak. As a result LPG cylinders, whether partially or completely full, must not be installed or stored in rooms or storage areas that are below ground level (cellars, etc.). It is advisable to keep only the cylinder being used in the room, positioned so that it is not subject to heat produced by external sources (ovens, fireplaces, stoves, etc.) which could raise the temperature of the cylinder above 50°C.

Should you experience difficulty in turning the burner knobs, please contact After Sales Service for replacement of the burner tap if found to be faulty. The openings used for the ventilation and dispersion of heat must never be covered.

⚠ Carry out all cabinet cutting works before fitting the appliance in the furniture and remove all wood chips and sawdust.

⚠ If the appliance is not installed above an oven, a separator panel (not included) must be installed in the compartment under the appliance.

GAS CONNECTION

⚠ **WARNING:** Prior to installation, ensure that the local distribution conditions (type of gas and gas pressure) and the adjustment of the appliance are compatible.

⚠ Check that the pressure of the gas supply is consistent with the values indicated in "Burner and nozzle specifications" table.

⚠ **WARNING:** The configuration conditions for this appliance are stated on the label (or data plate).

⚠ **WARNING:** This appliance is not connected to a combustion products evacuation device. It must be installed and connected in accordance with current installation regulations. Particular attention must be paid to the relevant requirements regarding ventilation.

⚠ If the appliances is connected to liquid gas, the regulation screw must be fastened as tightly as possible.

⚠ **IMPORTANT:** When the gas cylinder or gas container is installed, it must be properly settled (vertical orientation).

⚠ **WARNING:** This operation must be performed by a qualified technician.

⚠ Use only flexible or rigid metal hose for gas connection.

⚠ Connection with a rigid pipe (copper or steel) Connection to the gas system must be carried out in such a way as not to place any strain of any kind on the appliance. There is an adjustable L-shaped pipe fitting on the appliance supply ramp and this is fitted with a seal in order to prevent leaks. The seal must always be replaced after rotating the pipe fitting (the seal is provided with the appliance). The gas supply pipe fitting is a threaded 1/2 gas cylindrical male attachment. ⚠ Connecting a flexible jointless stainless steel pipe to a threaded attachment. The gas supply pipe fitting is a threaded 1/2 gas cylindrical male attachment. These pipes must be installed so that they are never longer than 2000 mm when fully extended. Once connection has been carried out, make sure that the flexible metal pipe does not touch any moving parts and is not compressed. Only use pipes and seals that comply with current National regulations.

⚠ **IMPORTANT:** If a stainless steel hose is used, it must be installed so as not to touch any mobile part of the furniture (e.g. drawer). It must pass through an area where there are no obstructions and where it is possible to inspect it on all its length.

⚠ The appliance should be connected to the main gas supply or to gas cylinder in compliance with the current national regulations. Before making the connection, make sure that the appliance is compatible with the gas supply you wish to use. If this is not the case, follow the instructions indicated in the paragraph "Adapting to different types of gas".


⚠ After connection to the gas supply, check for leaks with soapy water. Light up the burners and turn the knobs from max position 1* to minimum position 2* to check flame stability.


ADAPTING TO DIFFERENT TYPES OF GAS


(This operation needs to be carried out by a qualified technician).


⚠ In order to adapt the appliance to a type of gas other than the type for which it was manufactured (indicated on the rating label), follow the dedicated steps provided after installation drawings.


ELECTRICAL WARNINGS

 **IMPORTANT:** Information about current and voltage consumption is provided on the rating plate.


 It must be possible to disconnect the appliance from the power supply by unplugging it if plug is accessible, or by a multi-pole switch installed upstream of the socket in accordance with the wiring rules and the appliance must be earthed in conformity with national electrical safety standards.


 The power cable must be long enough to connect the appliance, once fitted in its housing, to the main power supply. Do not pull the power supply cable.


 Do not use extension leads, multiple sockets or adapters. The electrical components must not be accessible to the user after installation. Do not use the appliance when you are wet or barefoot. Do not operate this appliance if it has a damaged power cable or plug, if it is not working properly, or if it has been damaged or dropped.

 If the supply cord is damaged, it must be replaced with an identical one by the manufacturer, its service agent or similarly qualified persons in order to avoid a hazard - risk of electrical shock.


CLEANING AND MAINTENANCE

 **WARNING:** Ensure that the appliance is switched off and disconnected from the power supply before performing any maintenance operation; never use steam cleaning equipment - risk of electric shock.

 Do not use abrasive or corrosive products, chlorine-based cleaners or pan scourers.

 To avoid damaging the electric ignition device, do not use it when the burners are not in their housing.

DISPOSAL OF PACKAGING MATERIALS


The packaging material is 100% recyclable and is marked with the recycle symbol .

The various parts of the packaging must therefore be disposed of responsibly and in full compliance with local authority regulations governing waste disposal.

DISPOSAL OF HOUSEHOLD APPLIANCES

This appliance is manufactured with recyclable or reusable materials. Dispose of it in accordance with local waste disposal regulations. For further information on the treatment, recovery and recycling of household electrical appliances, contact your local authority, the collection service for household waste or the store where you purchased the appliance. This appliance is marked in compliance with European Directive 2012/19/EU, Waste Electrical and Electronic Equipment (WEEE) and with the Waste Electrical and Electronic Equipment regulations 2013 (as amended).

By ensuring this product is disposed of correctly, you will help prevent negative consequences for the environment and human health.

The symbol  on the product or on the accompanying documentation indicates that it should not be treated as domestic waste but must be taken to an appropriate collection center for the recycling of electrical and electronic equipment.

ENERGY SAVING TIPS

Use pots and pans with bottom width equal to that of the cooking zone.

Only use flat-bottomed pots and pans.

When possible, keep pot lids on during cooking.

Use a pressure cooker to save even more energy and time.

DECLARATION OF CONFORMITY

This appliance meets Ecodesign requirements of European Regulation 66/2014 and The Ecodesign for Energy-Related Products and Energy Information (Amendment) (EU Exit) Regulations 2019 in compliance with the European standard EN 30-2-1.

BURNER AND NOZZLE SPECIFICATIONS
CATEGORY II2H3+

Type of gas used	Type of burner	Injector marking	Rated thermal flow rate kW	Rated consumption	Reduced heat capacity kW	Gas pressure mbar		
						min.	rat.	max.
NATURAL GAS (Methane) G20	Semi-rapid (SR)	97 A	1,65	157 l/h	0,40	17	20	25
	Auxiliary (AUX)	78 A	1,00	95 l/h	0,40			
	2 Ring (DC)	140 H1	3,50	333 l/h	2,20			
LIQUEFIED PETROLEUM GAS (Butane) G30	Semi-rapid (SR)	66 A	1,65	120 g/h	0,40	20	28-30	35
	Auxiliary (AUX)	50	1,00	73 g/h	0,40			
	2 Ring (DC)	91	3,30	240 g/h	2,20			
LIQUEFIED PETROLEUM GAS (Propane) G31	Semi-rapid (SR)	66 A	1,65	118 g/h	0,40	25	37	45
	Auxiliary (AUX)	50	1,00	71 g/h	0,40			
	2 Ring (DC)	91	3,30	236 g/h	2,20			

Type of gas used	Model configuration 4 BURNERS	Rated thermal flowrate (kW)	Total rated consumption	Air required (m ³) for burning 1m ³ of gas
G20 20 mbar	2SR - 1AUX - 1DC	7,80	743 l/h	9,52
G30 28-30 mbar	2SR - 1AUX - 1DC	7,60	553 g/h	30,94
G31 37 mbar	2SR - 1AUX - 1DC	7,60	543 g/h	23,80

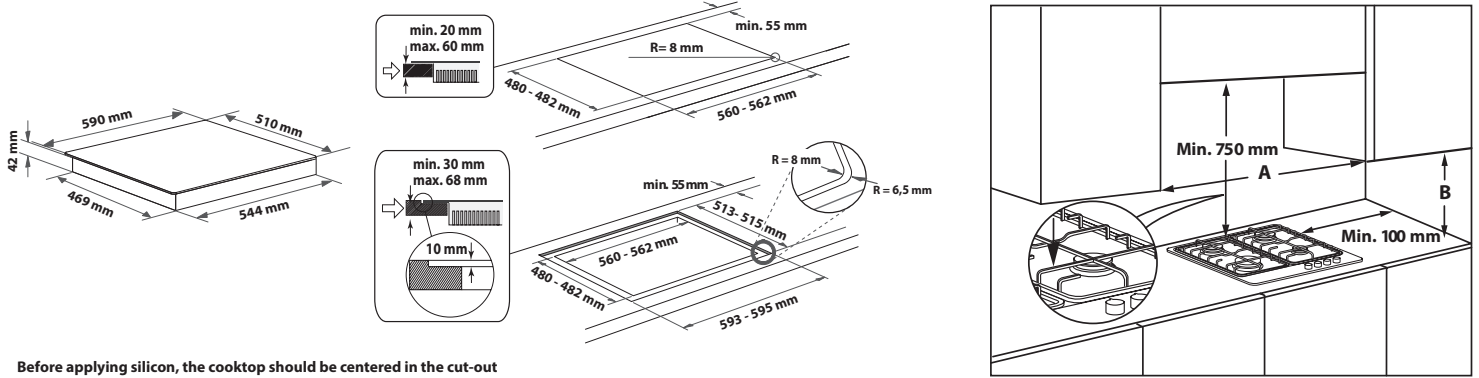
ELECTRIC SUPPLY: 220-240 V ~ 50-60 Hz - 0,6W


INSTALLATION (CLASS 3)

TECHNICAL INFORMATION FOR THE INSTALLER

- Use protective gloves for handling, preparing, and installing the product.
- This product can be embedded in a worktop 20 ÷ 60 mm thick with standard installation. For flush installation 30 ÷ 68 mm.
- If there is no oven beneath the hob, insert a separator panel with a surface at least equal to the work surface's opening. This panel must be positioned at a maximum distance of 150 mm below the upper surface of the work surface but, in no case less than 20 mm from the bottom of the hob. In case you intend to install an oven beneath the hob, make sure that it is equipped with a cooling system.

DIMENSIONS AND DISTANCES TO BE MAINTAINED



Before applying silicon, the cooktop should be centered in the cut-out

NOTE: If distance "A" between the kitchen cabinets is between 600 mm and 730 mm, height "B" must be at least 530 mm. If distance "A" between the kitchen cabinets is greater than the width of the hob, height "B" must be at least 400 mm. If a hood is installed above the hob, refer to the assembly instructions for the hood to see the necessary distance.

ASSEMBLY

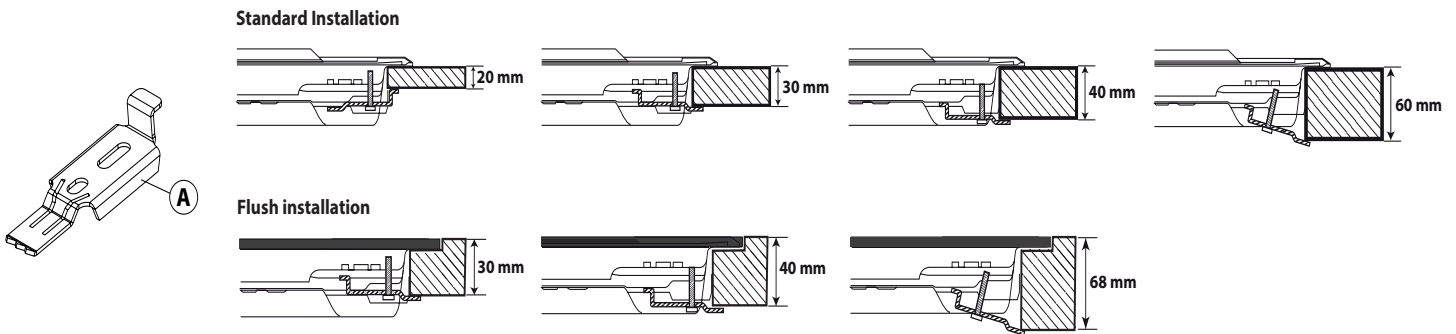
After cleaning the perimeter surface, apply the supplied gasket to the hob as shown in the figure.

Position the hob in the worktop opening made respecting the dimensions indicated in the Instruction.



NOTE: the power supply cable must be long enough to permit its upward extraction.

To secure the hob, use the brackets (A) provided with it. Fit the brackets into the relevant bores shown by the arrow and fasten them by means of their screws in accordance with the thickness of the worktop (see the following figures).

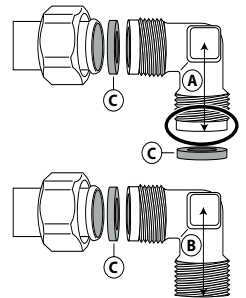


GAS CONNECTION

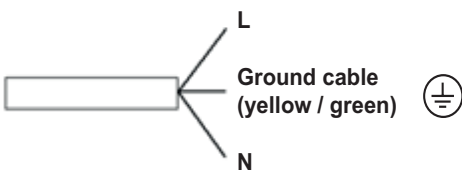
- Connect elbow (A)* or (B)* supplied with to the hob inlet main pipe and interpose the washer (C) supplied, in compliance with EN 549.

* Use elbow (A) for France and elbow (B) for all other destinations.

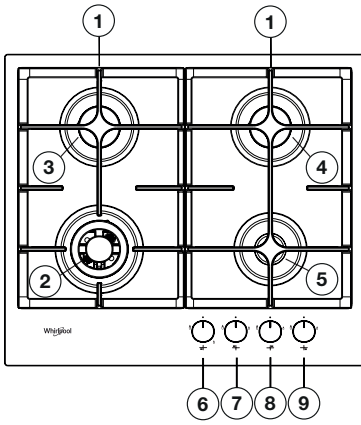
- After connection to the gas supply, check for leaks with soapy water. Light up the burners and turn the knobs from max position to minimum position to check flame stability.



ELECTRICAL CONNECTION



PRODUCT DESCRIPTION



1. Removable panstand grids
2. 2 Ring burner
3. Semi-rapid burner
4. Semi-rapid burner
5. Auxiliary burner
6. 2 Ring burner control knob
7. Semi-rapid burner control knob
8. Semi-rapid burner control knob
9. Auxiliary burner control knob

Symbols

- Shaded circle ● Tap closed
- Large flame 🔥 Maximum opening/delivery and electric ignition
- Small flame 🔥 Minimum opening or reduced delivery



DAILY USE

HOW TO USE THE HOB

⚠ Do not let the burner flame extend beyond the edge of the pan.

IMPORTANT: when the hob is in use, the entire hob area may become hot.

- To ignite one of the burners, turn the relative knob anti-clockwise to the maximum flame setting.
- Press the knob against the control panel to ignite the burner.
- After the burner has ignited, keep the knob pressed for about 5-10 seconds to allow proper device operation.
- This burner safety device shuts off the gas supply to the burner if the flame goes out accidentally (because of sudden draught, an interruption in the gas delivery, boiling over liquids, etc.).
- **The knob must not be pressed for more than 15 sec. If, after that time has elapsed, the burner does not remain lit, wait at least one minute before trying to light it again.**

NOTE: should particular local conditions of the delivered gas make the ignition of burner difficult, it is advisable to repeat the operation with the knob turned to the small flame setting.

The burner might go out when the knob is released. This means that the safety device has not warmed up enough. In this case, repeat the operations described above.

If the burner flame is accidentally extinguished, switch off the burner control and do not try to ignite for at least 1 minute.

PRACTICAL ADVICE FOR USING THE BURNERS

This hob has burners of different diameters. For better burner performance, please stick to the following rules:

- use pots and pans with bottoms the same width as that of the burners or slightly larger (see table on the right);
- only use flat-bottomed pots and pans;
- use the correct amount of water for cooking foods and keep the pot covered;
- make sure pots on the grates do not protrude beyond the edge of the hob;
- In the case of pans with convex bottoms (WOK), use the support grille (not provided), which should be positioned only on the multi-ring burner;
- avoid accidentally knocking the hob with pans, racks or other kitchen utensils;
- do not leave empty steak grills over the lit burner for longer than 5 minutes.

IMPORTANT: improper use of the grids can damage the hob: do not position the grids upside down or slide them across the hob.

BURNER	POT Ø
2 Ring	From 24 to 26 cm
Semi-rapid	From 16 to 22 cm
Auxiliary	From 8 to 14 cm

Do not use:

- cast iron griddles, ollar stones, terracotta pots and pans;
- heat diffusers such as metal mesh, or any other types;
- two burners simultaneously for one receptacle (e.g. fish kettle).

Liquids spilled on hot hob area can cause glass damage.

ADAPTING TO DIFFERENT TYPES OF GAS

⚠ This operation must be performed by a qualified technician.

If the appliance is intended to operate with a different gas from the gas type stated on the rating plate and information label on the top of the hob, change the injectors.

Remove the information label and keep it with the instructions booklet.

Use pressure regulators suitable for the gas pressure indicated in the instruction:

- the gas injector must be changed by After Sales Service or a qualified technician;
- injector not supplied with the appliance must be ordered from After Sales Service;
- adjust the minimum setting of the taps.

NOTE: when liquid petroleum gas is used (G30/G31), the minimum gas setting screw must be tightened as far as it will go.

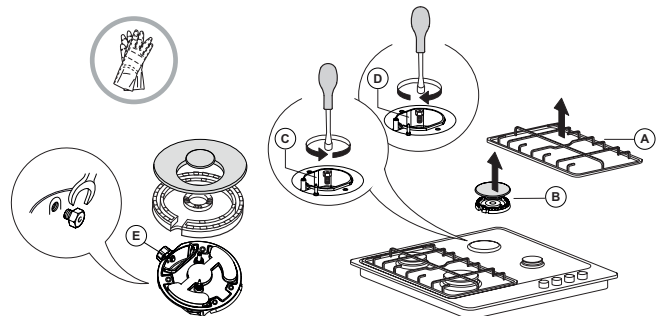
IMPORTANT: should you experience difficulty in turning the burners knobs, please contact the After Sales Service for the replacement of the burner tap if found to be faulty.

IMPORTANT: when gas cylinder is adopted, the gas cylinder or gas container must be properly settled (vertical orientation).

REPLACING THE INJECTORS (see the injector table in the Safety instructions)

⚠ This operation must be performed by a qualified technician.

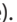
- Remove grids (A).
- Extract burners (B).
- Using a socket spanner of the appropriate size unscrew the injector (C), to be replaced.
- Replace it with the injector suitable for the new type of gas.
- Re-assemble the injector in (D).
- If you have a multiple crown burner, use a side spanner to replace the injector (E).



Before installing the hob, remember to affix the gas calibration plate supplied with the injectors in such a way that it covers the existing information relating to gas calibration.

ADJUSTING MINIMUM GAS SETTING OF TAPS



⚠ This operation must be performed by a qualified technician.

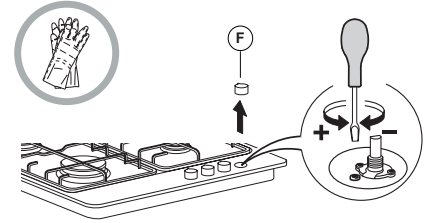
The adjustment must be performed with the tap in a minimum gas setting position  (small flame).

The primary air of the burners does not need to be adjusted.

To ensure that the minimum setting is correctly adjusted, remove the knob (F) and proceed as follows:

- tighten the screw to reduce the flame height (-);
- loosen the screw to increase the flame height (+).

At this stage, light up the burners and turn the knobs from max. position  to minimum position  to check flame stability.



Upon completion of adjustment, reseal using sealing wax or an equivalent material.

MAINTENANCE AND CLEANING

⚠ Disconnect the appliance from the power supply.

CLEANING THE HOB SURFACE

- All the enamelled and glass parts should be cleaned with warm water and a neutral solution.
- Stainless steel surfaces may be stained by calcareous water or aggressive detergents if left in contact for too long. Any food spills (water, sauce, coffee, etc.) should be wiped away before they dry.
- Clean with warm water and neutral detergent, and then dry with a soft cloth or chamois. Remove baked-on dirt with specific cleaners for stainless steel surfaces.

NOTE: clean stainless steel only with soft cloth or sponge.

- Do not use abrasive or corrosive products, chlorine-based cleaners or pan scourers.
- Do not use steam cleaning appliances.
- Do not use flammable products.
- Do not leave acid or alkaline substances, such as vinegar, mustard, salt, sugar or lemon juice on the hob.

CLEANING THE HOB PARTS

- Clean glass and enamelled parts only with soft cloth or sponge.
- Grids, burner caps and burners can be removed to be cleaned.
- Clean them by hand with warm water and non-abrasive detergent, removing any food residues and checking that none of the burner openings is clogged.
- Rinse and dry.
- **The cast-iron grates may be cleaned in the dishwasher. Remove any burnt-on food before placing the grates in the lowest rack in the dishwasher.**
- Refit burners and burner caps correctly in the respective housings.
- When replacing the grids, make sure that the panstand area is aligned with the burner.
- Models equipped with electrical ignition plugs and safety device require thorough cleaning of the plug end in order to ensure correct operation. Check these items frequently, and if necessary, clean them with a damp cloth. Any baked-on food should be removed with a toothpick or needle.

NOTE: to avoid damaging the electric ignition device, do not use it when the burners are not in their housing.

TROUBLESHOOTING

If the hob does not operate correctly, before calling the After-Sales Service, refer to the Troubleshooting Guide to determine the problem

1. The burner fails to ignite, or the flame is not even

Check that:

- the gas or electrical supplies are not shut off and especially that the gas supply tap is open;
- the gas cylinder (liquid gas) is not empty;
- the burner openings are not clogged;
- the plug end is not dirty;
- all the burner parts have been positioned correctly;
- there are no draughts near the hob.

2. The burner does not stay lit

Check that:

- when lighting the burner, the knob has been pressed for enough time to activate the protection device;
- the burner openings are not clogged near the thermocouple;
- the end of the safety device is not dirty;
- the minimum gas setting is correct (see relevant paragraph).

3. The containers are not stable

Check that:

- the bottom of the container is perfectly flat;
- the container is centred on the burner;
- the grids have not been exchanged or positioned incorrectly.

If after the above checks the fault still occurs, get in touch with the nearest After Sales Service.

AFTER-SALES SERVICE

In order to receive complete assistance, please register your product on www.whirlpool.eu/register.

BEFORE CALLING THE AFTER-SALES SERVICE:

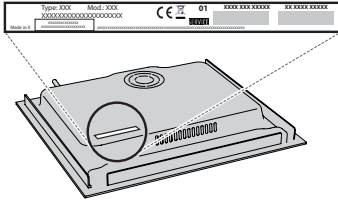
1. See if you can solve the problem by yourself with the help of the **TROUBLESHOOTING** suggestions.
2. Switch the appliance off and back on again to see if the fault persists.

IF AFTER THE ABOVE CHECKS THE FAULT STILL OCCURS, GET IN TOUCH WITH THE NEAREST AFTER-SALES SERVICE.

To receive assistance, call the number shown on the warranty booklet or follow the website's instructions on www.whirlpool.eu.

When contacting our Client After-sales service, always specify:

- a brief description of the fault;
- the type and exact model of the appliance;



- the serial number (number after the word SN on the rating plate located under the appliance). The serial number is also indicated in the documentation;



Mod. **XXX XXX**

Ind.C. **XXXX XXXX XXXX**

Prod.N. **86999XXXXXXX** S.N. **XXXX XXXX XXXX**

- your full address;
- your telephone number.

If any repairs are required, please contact an authorized after-sales service (to guarantee that original spare parts will be used and repairs carried out correctly).

INSTRUCȚIUNI PRIVIND SIGURANȚA

IMPORTANT: TREBUIE CITITE ȘI RESPECTATE

Descărcați manualul cu instrucțiuni complet de pe site-ul <http://docs.whirlpool.eu> sau sunați la numărul indicat pe certificatul de garanție.

⚠ Aceste instrucțiuni sunt valabile numai dacă simbolul țării în care este utilizat aparatul este prezent pe acesta. Dacă simbolul corespunzător nu este prezent pe acesta, este necesar să consultați instrucțiunile tehnice, deoarece acestea conțin instrucțiunile necesare privind modificarea aparatului în funcție de condițiile de utilizare specifice țării respective.

⚠ ATENȚIE: Utilizarea unui aparat de gătit cu funcționare pe gaz are ca rezultat generarea de căldură, umiditate și produși combustibili în încăperea în care acesta este instalat. Asigurați-vă că bucătăria este bine ventilată, mai ales atunci când aparatul este în funcțiune: mențineți deschise orificiile de aerisire sau instalați un dispozitiv de ventilare mecanică (hotă cu extracție mecanică). Utilizarea intensivă și îndelungată a aparatului ar putea impune necesitatea unei ventilări suplimentare, de exemplu, deschiderea ferestrei sau o modalitate mai eficientă de ventilare, prin creșterea nivelului de ventilarea mecanică atunci când este cazul.

⚠ Nerespectarea cu exactitate a instrucțiunilor din acest manual poate duce la incendiu sau explozie, care se soldează cu pagube materiale sau vătămări corporale. Înainte de a utiliza aparatul, citiți aceste instrucțiuni privind siguranță. Păstrați-le la îndemână pentru a le putea consulta și pe viitor.

Aceste instrucțiuni și aparatul în sine furnizează avertismente importante privind siguranță, care trebuie respectate întotdeauna. Producătorul nu își asumă nicio răspundere pentru nerespectarea acestor instrucțiuni de siguranță, pentru utilizarea necorespunzătoare a aparatului sau pentru setarea incorectă a butoanelor de comandă.

⚠ AVERTISMENT: Aparatul și părțile sale accesibile se înfierbântă în timpul utilizării. Trebuie evitată atingerea elementelor fierbinți. Copiii cu vârste mai mici de 8 ani nu trebuie lăsați să se apropie de aparat, cu excepția cazurilor în care sunt supravegheați în permanentă.

⚠ AVERTISMENT: Dacă suprafața plitei este crăpată, nu folosiți aparatul – risc de electrocutare.

⚠ AVERTISMENT: Pericol de incendiu: Nu depozitați obiecte pe zonele de gătit.

⚠ ATENȚIE: Procesul de preparare trebuie să fie supravegheat. Un proces de preparare care durează puțin trebuie să fie supravegheat în permanentă.

⚠ AVERTISMENT: Prepararea la plită cu grăsime sau ulei poate fi periculoasă - risc de incendiu. Nu încercați NICIODATĂ să stingeți un incendiu folosind apă: trebuie să opriți aparatul și apoi trebuie să acoperiți flacăra, de exemplu cu un capac sau cu o pătură ignifugă.

⚠ Nu utilizați plita ca suprafață de lucru sau suport. Nu amplasați articole vestimentare sau alte materiale inflamabile lângă aparat până când nu s-au răcit complet toate componentele acestuia - pericol de incendiu.

⚠ Nu lăsați aparatul la îndemâna copiilor foarte mici (0-3 ani). Nu lăsați aparatul la îndemâna copiilor mici (3-8 ani) decât dacă sunt supravegheați în permanentă. Copiii cu vârsta de peste 8 ani și persoanele cu capacități fizice, senzoriale sau mintale reduse sau fără experiență și cunoștințe pot folosi acest aparat doar dacă sunt supravegheate sau au fost instruite cu privire la utilizarea în siguranță și înțeleg riscurile implicate. Copiii nu trebuie să se joace cu aparatul. Curățarea și întreținerea nu trebuie să fie efectuate de către copii fără a fi supravegheați.

⚠ ATENȚIE: În cazul spargerii sticlei plitei: închideți imediat toate arzătoarele și toate rezistențele electrice și deconectați aparatul de la sursa de alimentare; nu atingeți suprafața aparatului; nu utilizați aparatul.

Capacul din sticlă se poate sparge dacă este încălzit excesiv. Opriti toate arzătoarele și plăcile electrice înainte de a închide capacul. Nu închideți capacul dacă arzătorul este aprins.

UTILIZAREA PERMISĂ

⚠ ATENȚIE: aparatul nu trebuie să fie pus în funcțiune prin intermediul unui comutator extern, precum un temporizator, sau al unui sistem de comandă la distanță separat.

⚠ Acest aparat este proiectat pentru a fi utilizat în locuințe, precum și în alte spații similare, precum: bucătării destinate personalului din magazine, birouri și alte spații de lucru; ferme; de către clienții din hoteluri, moteluri, unități de cazare de tip "Bed and breakfast" și alte spații rezidențiale.

⚠ Orice altă utilizare este interzisă (de ex. încălzirea încăperilor).

⚠ Acest aparat nu este destinat utilizării în scop profesional. Nu utilizați aparatul în aer liber.

⚠ Utilizați oale și cratițe cu diametrul bazei egal sau puțin mai mare decât diametrul arzătoarelor (consultați tabelul specific). Aveți grijă ca vasele de gătit așezate pe grătare să nu iasă în afara marginilor plitei.

⚠ Utilizarea necorespunzătoare a grătarelor poate duce la deteriorarea plitei: nu așezați grătarele cu susul în jos și nu le târați pe suprafața plitei.

Aveți grijă ca flacăra arzătorului să nu se extindă dincolo de marginea vasului. Dacă suprafața plitei este fabricată din sticlă, nu utilizați tigăi din fontă, plăci de piatră pentru gătit, oale și cratițe din teracotă.

Nu utilizați: Difuzoare de căldură, de tipul plaselor metalice sau de alte tipuri. Două arzătoare în același timp pentru un singur vas (de ex. o tavă de gătit pește). În cazul în care condițiile locale specifice de distribuire a gazelor fac ca aprinderea arzătorului să fie dificilă, este indicat să repetați operația cu butonul rotit la poziția pentru flacăra mică.

În cazul instalării unei hote deasupra plitei, consultați instrucțiunile care însoțesc hota pentru a identifica distanțele corecte de montare. Piciorușele de protecție din cauciuc de sub grătare ar putea fi înghițite de copii, reprezentând astfel un pericol de sufocare. După îndepărtarea grătarelor, vă rugăm să vă asigurați că toate piciorușele sunt montate corect.

INSTALAREA

⚠ Manevrarea și instalarea aparatului trebuie să fie efectuate de două sau mai multe persoane - risc de rănire. Folosiți mănuși de protecție la despachetare și instalare - risc de tăiere.

⚠ Conexiunile electrice și racordurile pentru gaz trebuie să fie efectuate în conformitate cu normele locale.

⚠ Instalarea, inclusiv racordarea la rețeaua de alimentare cu apă (dacă este necesară) și la rețeaua de alimentare cu energie electrică, precum și reparațiile trebuie efectuate de un tehnician calificat. Nu reparați și nu înlocuiți nicio piesă a aparatului, dacă acest lucru nu este indicat în mod expres în manualul de utilizare. Nu lăsați copiii în apropierea zonei de instalare. După despachetarea aparatului, asigurați-vă că acesta nu a fost deteriorat în timpul transportului. Dacă apar probleme, contactați distribuitorul sau cel mai apropiat serviciu de asistență tehnică post-vânzare. Odată instalat aparatul, deșeurile de ambalaje (bucăți de plastic, polistiren etc.) nu trebuie lăsate la îndemâna copiilor - risc de asfixiere. Înainte de orice operație de instalare, aparatul trebuie să fie deconectat de la rețeaua de alimentare cu energie electrică - risc de electrocutare. În timpul instalării, aveți grijă ca aparatul să nu deterioreze cablul de alimentare - risc de incendiu sau de electrocutare. Activați aparatul numai atunci când instalarea a fost finalizată.

⚠ **AVERTISMENT:** Modificarea aparatului și a metodei de instalare a acestuia sunt esențiale în vederea utilizării corecte și în siguranță a aparatului în toate țările ale căror simboluri nu sunt specificate pe acesta.

⚠ Folosiți regulatoare de presiune potrivite pentru presiunea gazului precizată în instrucțiuni.

⚠ Încăperea trebuie să fie prevăzută cu un sistem de extracție a aerului care să elimine din incintă gazele combustibile.

⚠ De asemenea, în încăpere trebuie să fie permisă circulația liberă a aerului, deoarece acesta este absolut necesar pentru o ardere normală. Debitul de aer nu trebuie să fie de sub 2 m³/h per kW de putere instalată.

⚠ Sistemul de circulație a aerului poate extrage aerul direct din exterior prin intermediul unei conducte cu o secțiune transversală internă de cel puțin 100 cm²; deschiderea nu trebuie să fie blocată.

⚠ De asemenea, acest sistem poate asigura indirect aerul necesar pentru ardere, adică din încăperile adiacente prevăzute cu conducte de circulație a aerului, conform descrierii anterioare. Totuși, aceste încăperi nu trebuie să fie camere de zi, dormitoare sau să comporte riscul de izbucnire a unui incendiu.

⚠ Gazul petrolier lichefiat cade pe planșeu deoarece are o greutate mai mare decât cea a aerului. Astfel, încăperile în care se află butelii de GPL trebuie să fie de asemenea prevăzute cu orificii de aerisire pentru a se permite eliminarea gazului în cazul scurgerii acestuia. În consecință, buteliile de GPL, încărcate parțial sau complet, nu trebuie să fie instalate sau depozitate în

încăperi sau spații de depozitare aflate sub nivelul solului (pivnițe etc.). Este recomandat ca în încăpere să fie depozitată numai butelia utilizată, aceasta fiind poziționată într-un loc ferit de căldura produsă de sursele externe (cuptoare, șemineuri, sobe etc.) care ar putea determina creșterea temperaturii buteliei la o valoare de peste 50 °C.

Dacă întâmpinați dificultăți când rotiți butoanele arzătoarelor, vă rugăm să contactați Serviciul de asistență tehnică post-vânzare în vederea înlocuirii robinetului arzătorului dacă acesta este defect.

Deschiderile destinate ventilării și dispersiei căldurii nu trebuie să fie niciodată acoperite.

⚠ Executați toate operațiunile de decupare a mobilei înainte de a încorpora aparatul și înlăturați cu grijă toate așchiile din lemn și rumegușul.

⚠ În cazul în care aparatul nu este montat deasupra unui cuptor, trebuie să fie instalat un panou despărțitor (neinclus în dotarea aparatului) în compartimentul de sub acesta.

RACORDAREA LA GAZ

⚠ **AVERTISMENT:** Înainte de instalare, asigurați-vă că condițiile de distribuție de la nivel local (tipul de gaz și presiunea gazului) sunt compatibile cu configurația aparatului.

⚠ Verificați dacă presiunea de alimentare cu gaz este conformă cu valorile specificate în tabelul „Specificații privind arzătorul și duza”.

⚠ **AVERTISMENT:** Valorile de reglare a aparatului sunt specificate pe etichetă (sau pe plăcuța cu date tehnice).

⚠ **AVERTISMENT:** Acest aparat nu este conectat la un dispozitiv de evacuare a produselor de ardere. Dispozitivul trebuie să fie instalat și conectat în conformitate cu normele în vigoare privind instalarea. Trebuie să se acorde o atenție deosebită cerințelor relevante privind ventilația.

⚠ Dacă aparatul este racordat la o sursă de alimentare cu gaz lichefiat, șurubul de reglare trebuie să fie strâns cât mai mult posibil.

⚠ **IMPORTANT:** Când se folosește alimentarea cu gaz de la butelia, butelia sau recipientul de gaz trebuie să fie așezate în mod adecvat (orientare verticală).

⚠ **AVERTISMENT:** Această operație trebuie să fie efectuată de un tehnician calificat.

⚠ Folosiți numai furtunuri metalice flexibile sau rigide pentru racordul de gaz.

⚠ **Racord rigid (din cupru sau oțel)** Racordul la sistemul de alimentare cu gaz trebuie să fie efectuat astfel încât să nu se exercite presiuni asupra aparatului. Pe rampa de alimentare a aparatului este prezent un racord în forma literei L reglabil, care este prevăzut cu o garnitură ce previne scurgerile. Garnitura trebuie să fie înlocuită întotdeauna după rotirea racordului (garnitura este livrată împreună cu aparatul). Racordul conductei de alimentare cu gaz este un racord 1/2 cilindric filetat de tip tată.

⚠ **Racordarea unei țevi din oțel inoxidabil flexibile și fără sudură** la un racord filetat Racordul conductei de alimentare cu gaz este un racord 1/2 cilindric filetat de tip tată. Țevile trebuie să fie instalate astfel încât să nu

aibă niciodată o lungime mai mare de 2000 mm atunci când sunt complet extinse. Odată ce a fost realizată racordarea, asigurați-vă că țevă metalică flexibilă nu intră în contact cu nicio componentă mobilă și că nu este presată. Utilizați numai țevi și garnituri care sunt conforme cu normele naționale.

⚠ **IMPORTANT:** Dacă se utilizează un furtun din oțel inoxidabil, acesta trebuie instalat astfel încât să nu atingă nicio componentă mobilă a mobilierului (de exemplu, un sertar). Acesta trebuie să treacă printr-o zonă în care nu există obstacole și care să permită examinarea furtunului pe toată lungimea sa.

⚠ Aparatul trebuie să fie racordat la rețeaua de alimentare cu gaz sau la butelia de gaz în conformitate cu normele naționale. Înainte de a efectua racordarea, asigurați-vă că aparatul este compatibil cu tipul de gaz pe care doriți să îl utilizați. Dacă nu există compatibilitate, urmați instrucțiunile de la paragraful "Adaptarea pentru diferite tipuri de gaz".

⚠ După racordarea la alimentarea cu gaz, verificați etanșeitatea folosind apă cu săpun. Aprindeți arzătoarele și rotiți butoanele de la poziția de maxim 1* la poziția de minim 2* pentru a verifica stabilitatea flăcării.

ADAPTAREA PENTRU DIFERITE TIPURI DE GAZ

(Această operațiune trebuie efectuată de un tehnician calificat).

⚠ Pentru a adapta aparatul la un alt tip de gaz decât cel pentru care a fost fabricat acesta (indicat pe plăcuta cu date tehnice), urmați pașii corespunzători, indicați după desenele aferente instalării.

AVERTISMENTE PRIVIND ALIMENTAREA CU ENERGIE ELECTRICĂ

⚠ **IMPORTANT:** Informațiile despre consumul de curent și tensiune sunt furnizate pe plăcuța cu date tehnice.

⚠ Aparatul trebuie să poată fi deconectat de la rețeaua electrică fie prin scoaterea ștecherului din priză (dacă ștecherul este accesibil), fie prin intermediul unui întrerupător multipolar situat în amonte de priză, în conformitate cu normele privind cablurile electrice, iar aparatul trebuie să fie împământat, în conformitate cu standardele naționale privind siguranța electrică.

⚠ Cablul de alimentare trebuie să fie suficient de lung pentru a putea conecta aparatul la rețeaua de alimentare cu energie electrică, după ce a fost încastrat în mobilă. Nu trageți de cablul de alimentare.

⚠ Nu utilizați prelungitoare, prize multiple sau adaptoare. După finalizarea instalării, componentele electrice nu trebuie să mai fie accesibile pentru utilizator. Nu utilizați aparatul dacă aveți părți ale corpului umede sau când sunteți desculți. Nu puneți în funcțiune acest aparat dacă are cablul de alimentare sau ștecherul deteriorat, dacă nu funcționează corespunzător sau dacă a fost deteriorat sau a căzut pe jos.

⚠ Dacă este deteriorat cablul de alimentare, acesta trebuie înlocuit cu unul identic de către producător, agentul de service sau de o persoană calificată similară, pentru a se evita pericolele - pericol de electrocutare.


CURĂȚAREA ȘI ÎNTREȚINEREA

⚠ **AVERTISMENT:** Asigurați-vă că aparatul este oprit și deconectat de la rețeaua de alimentare electrică înainte de a efectua orice operație de întreținere; nu folosiți niciodată aparate de curățare cu aburi - risc de electrocutare.

⚠ Nu utilizați produse abrazive sau corozive, produse pe bază de clor sau bureți de sârmă pentru vase.

⚠ Pentru a evita deteriorarea dispozitivului de aprindere electrică, nu-l folosiți atunci când arzătoarele nu sunt în locașurile lor.

ELIMINAREA AMBALAJULUI


Ambalajul este reciclabil în proporție de 100% și este marcat cu simbolul reciclării .

Prin urmare, diferitele părți ale ambalajului trebuie eliminate în mod corespunzător și în conformitate cu normele stabilite de autoritățile locale privind eliminarea deșeurilor.

ELIMINAREA APARATELOR ELECTROCASNICE

Acest aparat este fabricat cu materiale reciclabile sau reutilizabile. Eliminați-l în conformitate cu normele locale referitoare la eliminarea deșeurilor. Pentru informații suplimentare referitoare la tratarea, valorificarea și reciclarea aparatelor electrocasnice, contactați autoritățile locale competente, serviciul de colectare a deșeurilor menajere sau magazinul de unde ați achiziționat aparatul. Acest aparat este marcat în conformitate cu Directiva europeană 2012/19/UE privind deșeurile de echipamente electrice și electronice (DEEE) și cu reglementările din 2013 privind deșeurile de echipamente electrice și electronice (astfel cum au fost modificate).

Asigurându-vă că acest produs este eliminat în mod corect, contribuiți la prevenirea consecințelor negative asupra mediului înconjurător și sănătății persoanelor.

Simbolul  de pe produs sau de pe documentele care îl însoțesc indică faptul că acest aparat nu trebuie eliminat ca deșeu menajer, ci trebuie predat la un centru de colectare corespunzător, pentru reciclarea echipamentelor electrice și electronice.

RECOMANDĂRI PRIVIND ECONOMISIREA ENERGIEI

Utilizați oale și cratițe cu diametrul bazei egal cu cel al zonei de gătit.

Utilizați numai oale și cratițe cu baza plată.

Când gătiți, pe cât posibil, lăsați oalele acoperite cu capacul.

Utilizați o oală sub presiune pentru a reduce și mai mult consumul de energie și durata de preparare.

DECLARAȚIE DE CONFORMITATE

Acest aparat îndeplinește Cerințele de proiectare ecologică prevăzute de Regulamentul european nr. 66/2014, precum și Regulamentele din 2019 (leșire UE) (Amendamentul) privind informațiile energetice și proiectarea ecologică aplicabilă produselor cu impact energetic, în conformitate cu Standardul european EN 30-2-1.

Tip de gaz utiliza	Tip de arzător	Marcaj injector	Capacitate termică nominală kW	Consum nominal	Capacitate termică redusă kW	Presiune gaz mbar		
						min.	nom.	max.
GAZE NATURALE (Metan) G20	Semi-rapid (SR)	97 A	1,65	157 l/h	0,40	17	20	25
	Auxiliary (AUX)	78 A	1,00	95 l/h	0,40			
	2 inele de ardere (DC)	140 H1	3,50	333 l/h	2,20			
GAZ PETROLIER LICHEFIAT (Butan) G30	Semi-rapid (SR)	66 A	1,65	120 g/h	0,40	20	30	35
	Auxiliary (AUX)	50	1,00	73 g/h	0,40			
	2 inele de ardere (DC)	91	3,30	240 g/h	2,20			
GAZ PETROLIER LICHEFIAT (Propan) G31	Semi-rapid (SR)	66 A	1,65	118 g/h	0,40	20	30	35
	Auxiliary (AUX)	50	1,00	71 g/h	0,40			
	2 inele de ardere (DC)	91	3,30	236 g/h	2,20			

Tip de gaz utiliza	Configurație model 4 ARZĂTOARE	Capacitate termică nominală (kW)	Consum total nominal	Aer necesar (m ³) pentru a arde 1m ³ de gaz
G20 20 mbar	2SR - 1AUX - 1DC	7,80	743 l/h	9,52
G30 30 mbar	2SR - 1AUX - 1DC	7,60	553 g/h	30,94
G31 30 mbar	2SR - 1AUX - 1DC	7,60	543 g/h	23,80

ALIMENTAREA CU ELECTRICITATE: 220-240 V ~ 50-60 Hz - 0,6 W

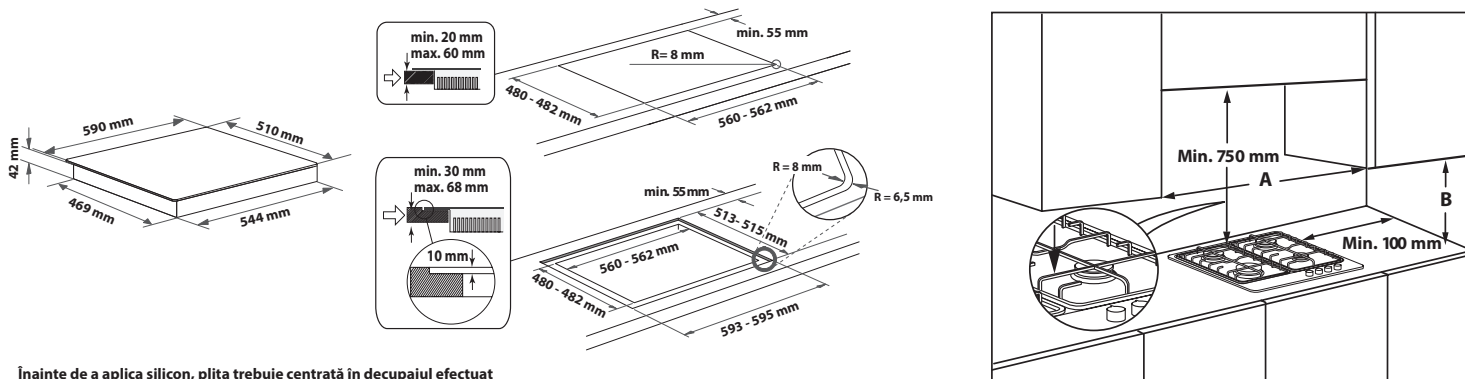


INSTALAREA (CLASA 3)

INFORMAȚII TEHNICE PENTRU INSTALATOR

- Folosiți mănuși de protecție pentru manevrarea, pregătirea și instalarea produsului.
- Acest produs poate fi încadrat într-un blat de lucru cu o grosime de 20 până la 60 mm, cu instalare standard. Pentru instalare la același nivel de 30 ± 68 mm.
- Dacă nu există un cuptor dedesubtul plitei, introduceți un panou separator cu o suprafață cel puțin egală cu deschiderea din blatul de lucru. Acest panou trebuie poziționat la o distanță maximă de 150 mm sub partea superioară a blatului de lucru, dar în niciun caz la o distanță de cel puțin 20 mm de partea inferioară a plitei. Dacă doriți să instalați un cuptor sub plită, asigurați-vă că acesta este echipat cu un sistem de răcire.

DIMENSIUNI ȘI DISTANȚE DE RESPECTAT



Înainte de a aplica silicon, plita trebuie centrată în decupajul efectuat

NOTĂ: dacă distanța "A" dintre dulapurile suspendate este între 600 mm și 730 mm, înălțimea "B" trebuie să fie de cel puțin 530 mm. Dacă distanța "A" dintre dulapurile suspendate este mai mare decât lățimea suprafeței de gătit, înălțimea "B" trebuie să fie de cel puțin 400 mm. În cazul instalării unei hote deasupra plitei, respectați instrucțiunile cu distanțele corecte de montare a hotei.

MONTAREA

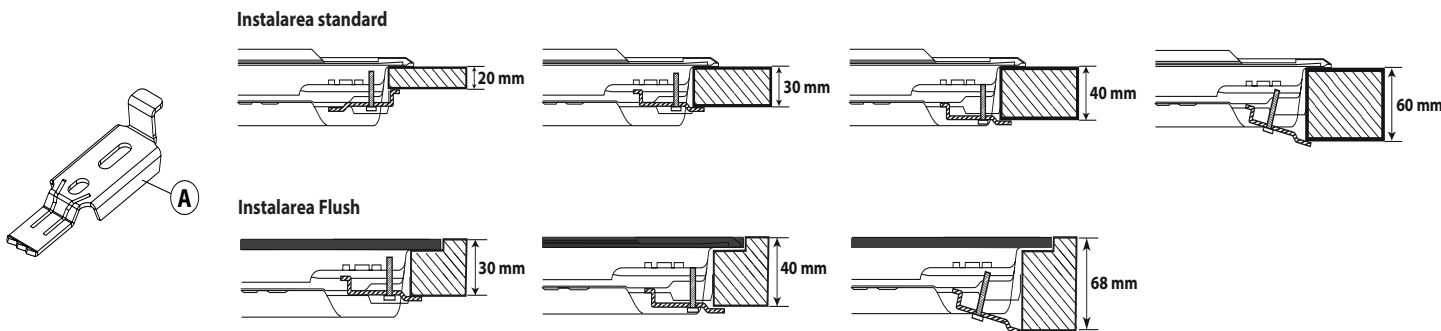
După ce ați curățat suprafața marginilor, aplicați pe plită garnitura furnizată, așa cum se arată în figură.

Poziționați plita în deschiderea practică în blatul de lucru, respectând dimensiunile indicate în Instrucțiuni.

NOTĂ: cablul de alimentare trebuie să fie suficient de lung pentru a permite ca plita să poată fi scoasă prin partea de sus.



Pentru a fixa plita, folosiți consolele (A) livrate împreună cu aceasta. Potrivii consolele în găurile corespunzătoare indicate de săgeată și strângeți-le prin intermediul șuruburilor, în funcție de grosimea blatului de lucru (consultați figurile următoare).

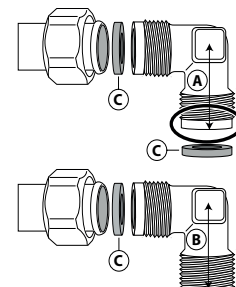


RACORDAREA LA GAZ

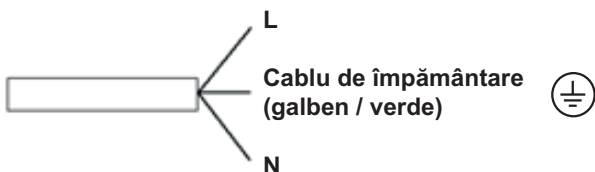
- Racordați cotul (A)* sau (B)* (incluse în pachet) la țeava principală de alimentare a plitei și intercalați șaiba (C) (inclusă în pachet), în conformitate cu standardul EN 549.

* Folosiți cotul (A) pentru Franța și cotul (B) pentru toate celelalte țări.

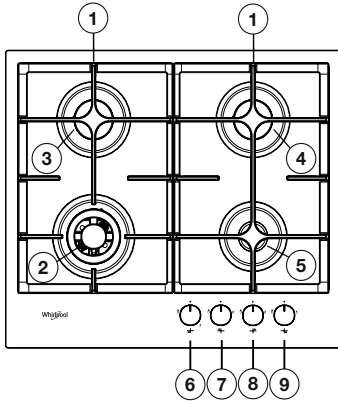
- După racordarea la alimentarea cu gaz, verificați etanșeitățile folosind apă cu săpun. Aprindeți arzătoarele și rotiți butoanele de la poziția de maxim la poziția de minim pentru a verifica stabilitatea flăcării.



CONECTARE ELECTRICA



DESCRIEREA PRODUSULUI



- Grătare detașabile
- Arzător cu 2 inele de ardere
- Arzător Semi-rapid
- Arzător Semi-rapid
- Arzător Auxiliar
- Buton de comandă pentru arzătorul cu 2 inele de ardere
- Buton de comandă pentru arzătorul Semi-rapid
- Buton de comandă pentru arzătorul Semi-rapid
- Buton de comandă pentru arzătorul Auxiliar

Simboluri

- | | | |
|-------------------------|---|--|
| Cerc de culoare închisă | ● | Robinet închis |
| Flacără mare | 🔥 | Deschidere maximă/debit maxim și aprindere electrică |
| Flacără mică | 🔥 | Deschidere minimă sau debit redus |

UTILIZAREA ZILNICĂ

UTILIZAREA PLITEI

⚠️ Aveți grijă ca flacăra arzătorului să nu se extindă dincolo de marginea vasului.

IMPORTANT: când plita este în uz, întreaga zonă a plitei se poate înfierbânta.

- Pentru a aprinde un arzător, rotiți butonul corespunzător în sens anti-orar până când ajunge în poziția pentru flacără maximă.
- Apăsați butonul spre panoul de comandă pentru a aprinde arzătorul.
- După aprinderea arzătorului, continuați să țineți apăsat butonul timp de aproximativ 5-10 secunde pentru a permite funcționarea corectă a dispozitivului.
- Acest dispozitiv de siguranță cu care este prevăzut arzătorul va întrerupe alimentarea cu gaz a arzătorului în cazul în care flacăra se stinge accidental (din cauza unor curenți de aer, a întreruperii furnizării gazelor, a vărsării de lichide etc.).
- Butonul nu trebuie ținut apăsat mai mult de 15 sec. Dacă după trecerea acestui interval arzătorul nu rămâne aprins, așteptați cel puțin un minut înainte de a încerca să-l aprindeți din nou.

NOTĂ: în cazul în care condițiile locale specifice de distribuire a gazelor fac ca aprinderea arzătorului să fie dificilă, este indicat să repetați operația cu butonul rotit la poziția pentru flacără mică.

Arzătorul se poate stinge când butonul este eliberat. Acest lucru înseamnă că dispozitivul de siguranță nu s-a încălzit suficient. În această situație, repetați operațiile descrise mai sus.

Dacă flacăra arzătorului se stinge accidental, opriți comanda arzătorului și nu încercați să o aprindeți timp de cel puțin 1 minut.

SFATURI PRACTICE PENTRU UTILIZAREA ARZĂTOARELOR

Această plită are arzătoare cu diametre diferite. Pentru a obține rezultate optime la folosirea arzătoarelor, vă rugăm să urmați aceste reguli:

- utilizați oale și cratițe cu diametrul bazei egal sau puțin mai mare decât diametrul arzătoarelor (consultați tabelul din dreapta);
- utilizați numai oale și cratițe cu baza plată;
- folosiți cantitatea corectă de apă când gătiți alimentele și țineți oala acoperită;
- aveți grijă ca vasele de gătit așezate pe grătare să nu iasă în afara marginilor plitei;
- în cazul vaselor cu bază convexă (wok), folosiți grătarul-suport care nu este furnizat împreună cu plita, care trebuie plasat numai pe arzătorul cu inele de ardere multiple;
- evitați ciocnirile accidentale cu cratițe, grile sau alte echipamente de bucătărie;
- nu lăsați grătare goale pe focul aprins pentru mai mult de 5 minute.

IMPORTANT: utilizarea necorespunzătoare a grătarelor poate duce la deteriorarea plitei: nu așezați grătarele cu susul în jos și nu le târați pe suprafața plitei.

ARZĂTOR	Ø OALĂ
2 inele de ardere	De la 24 la 26 cm
Semi-rapid	De la 16 la 22 cm
Auxiliar	De la 8 la 14 cm

Nu utilizați:

- Tigăi din fontă, plăci de piatră pentru gătit, oale sau cratițe din teracotă.
- Difuzoare de căldură, de tipul plaselor metalice sau de alte tipuri.
- Două arzătoare în același timp pentru un singur vas (de ex. o oală de fiert pește).

Lichidele vărsate pe zona fierbinte a plitei pot cauza deteriorarea sticlei.

ADAPTAREA PENTRU DIFERITE TIPURI DE GAZ

⚠️ Această operație trebuie să fie efectuată de un tehnician calificat.

Dacă aparatul trebuie să funcționeze cu un tip de gaz diferit de cel indicat pe plăcuța cu date tehnice și pe eticheta informativă de pe partea superioară a plitei, schimbați injectoarele. Înlăturați eticheta informativă și păstrați-o împreună cu manualul de instrucțiuni.

Folosiți regulatoare de presiune potrivite pentru presiunea gazului indicată în Instrucțiuni.

- Injectorul de gaz trebuie schimbat de Serviciul de asistență tehnică sau de un tehnician calificat.
- Injectorul care nu este furnizat împreună cu aparatul trebuie comandat de la Serviciul de asistență tehnică.
- Reglați poziția de minim a robinetelor.

NOTĂ: când se folosește gaz petrolier lichefiat (G30/G31), șurubul pentru reglarea debitului minim de gaz trebuie strâns cât de mult posibil.

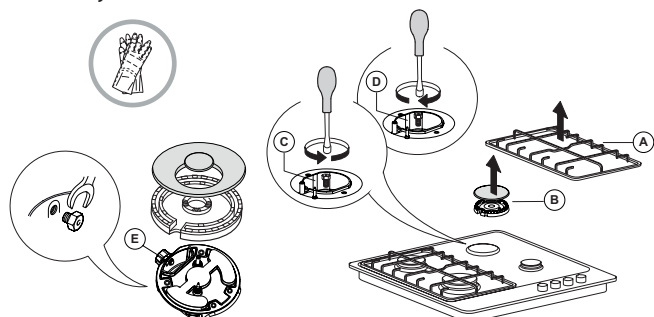
IMPORTANT: dacă aveți dificultăți când rotiți butoanele arzătoarelor, vă rugăm să contactați Serviciul de asistență tehnică pentru înlocuirea robinetului arzătorului, dacă se constată că este defect.

IMPORTANT: când se folosește alimentarea cu gaz de la butelie, butelia sau recipientul de gaz trebuie să fie așezate în mod adecvat (orientare verticală).

ÎNLOCUIREA INJECTOARELOR (consultați tabelul de injectoare din Instrucțiuni privind siguranța)

⚠ Această operație trebuie să fie efectuată de un tehnician calificat.

- Scoateți grătarele (A).
- Extrageți arzătoarele (B).
- Folosind o cheie tubulară de dimensiuni corespunzătoare, deșurubați injectorul (C) care trebuie înlocuit.
- Înlocuiți-l cu injectorul potrivit pentru noul tip de gaz.
- Montați la loc injectorul în (D).
- Dacă aveți un arzător cu coroană multiplă, folosiți o cheie pentru a înlocui injectorul (E).



Înainte de a instala plita, nu uitați să montați plăcuța cu datele privind calibrarea gazului, livrată împreună cu injectoarele, astfel încât să acopere informațiile existente referitoare la calibrarea gazului.

REGLAREA POZIȚIEI DE MINIM A ROBINETELOR

⚠ Această operație trebuie să fie efectuată de un tehnician calificat.

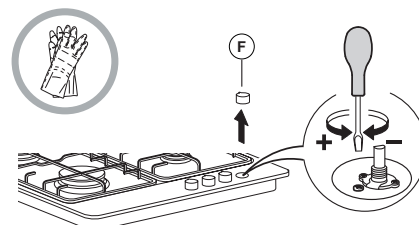
Reglajul trebuie efectuat cu robinetul în poziția de minim de gaz (flacără mică) 0.

Aerul primar al arzătoarelor nu trebuie să fie reglat.

Pentru a vă asigura că poziția de minim este corect reglată, scoateți butonul și procedați după cum urmează:

- strângeți șurubul pentru a reduce înălțimea flăcării (-);
- slăbiți șurubul pentru a mări înălțimea flăcării (+).

După aceasta, aprindeți arzătoarele și rotiți butoanele de la poziția de maxim 1 la poziția de minim 0 pentru a verifica stabilitatea flăcării.



După terminarea operației de reglare, resigilați folosind ceară sau un material echivalent.

ÎNTREȚINEREA ȘI CURĂȚAREA

⚠ Deconectați de la electricitate înainte de a efectua orice operație de întreținere.

CURĂȚAREA SUPRAFEȚEI PLITEI

- Toate piesele emailate și de sticlă trebuie curățate cu o soluție de apă caldă și detergent neutru.
- Suprafețele din oțel inoxidabil se pot păta din cauza apei calcaroase sau a detergentilor agresivi, dacă rămân în contact cu acestea prea mult timp. Resturile de mâncare căzute pe suprafață (apă, sos, cafea etc.) trebuie șterse înainte de a se usca.
- Curățați cu apă caldă și detergent neutru, apoi uscați cu o cârpă moale sau cu piele de căprioară. Îndepărtați resturile arse de mâncare cu ajutorul unor produse de curățare speciale pentru suprafețe din oțel inoxidabil.

NOTĂ: curățați oțelul inoxidabil numai cu o cârpă sau un burete moale.

- Nu utilizați produse abrazive sau corozive, produse pe bază de clor sau bureți de sârmă pentru vase.
- Nu utilizați aparate de curățat cu aburi.
- Nu folosiți produse inflamabile.
- Nu lăsați pe plită substanțe acide sau alcaline, cum ar fi oțet, muștar, sare, zahăr sau suc de lămâie.

CURĂȚAREA COMPONENTELOR PLITEI

- Curățați sticla și piesele emailate numai cu o cârpă sau un burete moale.
- Grătarele, capacele arzătoarelor și arzătoarele pot fi scoase pentru a fi curățate.
- Curățați-le manual, cu apă caldă și detergent neabraziv, înlăturând cu grijă toate resturile de mâncare și verificând ca niciun orificiu al arzătorului să nu fie înfundat.
- Clătiți și uscați.
- **Grătarele din fontă pot fi curățate în mașina de spălat vase. Eliminați toate resturile alimentare arse înainte de a introduce grătarele în cel mai jos coș al mașinii de spălat vase.**
- Puneți la loc arzătoarele și capacele arzătoarelor, în mod corect, în locașurile respective.
- Când puneți la loc grătarele, asigurați-vă că zona pe care se așează oalele este aliniată cu arzătorul.
- Modelele echipate cu fișe pentru aprindere electrică și cu dispozitiv de siguranță necesită o curățare atentă a capătului fișei pentru a asigura funcționarea corectă. Verificați frecvent aceste piese și, dacă este necesar, curățați-le cu o cârpă umedă. Resturile arse de mâncare trebuie îndepărtate cu o scobitoare sau cu un ac.

NOTĂ: pentru a evita deteriorarea dispozitivului de aprindere electrică, nu-l folosiți atunci când arzătoarele nu sunt în locașurile lor.

REMEDIEREA DEFECȚIUNILOR

Dacă plita nu funcționează corect, înainte de a apela la Serviciul de asistență tehnică, consultați Ghidul de remediere a defecțiunilor pentru a stabili care este problema.

1. Arzătorul nu se aprinde sau flacăra nu este uniformă

Verificați următoarele:

- Alimentarea electrică sau cu gaz să nu fie oprită și, mai ales, robinetul de alimentare cu gaz să fie deschis.
- Butelia de gaz (gaz lichid) să nu fie goală.
- Orificiile arzătorului să nu fie înfundate.
- Capătul fișei să nu fie murdar.
- Toate piesele arzătorului să fie poziționate corect.
- Să nu existe curenți de aer în apropierea plitei.

2. Arzătorul nu rămâne aprins

Verificați următoarele:

- La aprinderea arzătorului, butonul să fie ținut apăsat destul timp, astfel încât să se activeze dispozitivul de protecție.
- Orificiile arzătorului să nu fie înfundate lângă termocuplu.
- Capătul dispozitivului de siguranță să nu fie murdar.
- Reglarea debitului minim de gaz să fie corectă (consultați paragraful respectiv).

3. Recipientele nu sunt stabile

Verificați următoarele:

- Fundul recipientului să fie perfect plat.
- Recipientul să fie centrat pe arzător.
- Grătarele să nu fie schimbate între ele sau poziționate incorect.

Dacă problema persistă și după verificările de mai sus, luați legătura cu cel mai apropiat Serviciu de asistență tehnică.

SERVICIUL DE ASISTENȚĂ TEHNICĂ POST-VÂNZARE

Pentru a beneficia de servicii complete de asistență, vă rugăm să vă înregistrați produsul pe www.whirlpool.eu/register.

ÎNAINTE DE A CONTACTA SERVICIUL DE ASISTENȚĂ TEHNICĂ POSTVÂNZARE:

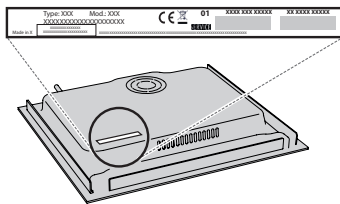
1. Încercați să rezolvați singuri problema, cu ajutorul recomandărilor din **GHIDUL DE REMEDIERE A DEFECȚIUNILOR**.
2. Opriți și puneți din nou în funcțiune aparatul pentru a verifica dacă defecțiunea persistă.

DACĂ PROBLEMA PERSISTĂ CHIAR ȘI DUPĂ CONTROALELE MENȚIONATE, CONTACTAȚI CEL MAI APROPIAT SERVICIU DE ASISTENȚĂ TEHNICĂ POST-VÂNZARE.

Pentru asistență, sunați la numărul de telefon specificat pe certificatul de garanție sau urmați instrucțiunile de pe site-ul web www.whirlpool.eu.

Atunci când contactați serviciul de asistență tehnică post-vânzare, specificați întotdeauna:

- o scurtă descriere a defecțiunii;
- tipul și modelul exact al aparatului;



- numărul de serie (numărul de după cuvântul SN de pe plăcuța cu date tehnice, amplasată sub aparat). De asemenea, numărul de serie este indicat în documentație;



Mod. XXX XXX

Ind.C. XXXX XXXX XXXX

Prod.N. 86999XXXXXXX S.N. XXXX XXXX XXXX

- adresa dumneavoastră completă;
- numărul dumneavoastră de telefon

Dacă sunt necesare orice fel de reparații, vă rugăm să contactați un serviciu de asistență tehnică post-vânzare autorizat (pentru a avea garanția că se folosesc piese de schimb originale și că reparațiile vor fi executate corect).

Завантажте повну інструкцію з експлуатації з сайту <http://docs.whirlpool.eu> або зателефонуйте за номером телефону, вказаним у гарантійному буклеті.

⚠ Ці інструкції дійсні, якщо символ відповідної країни вказаний на приладі. Якщо на приладі немає символу відповідної країни, слід звернутися до технічних інструкцій, де є необхідні вказівки щодо змін, які слід виконати на приладі, щоб він був адаптований до умов використання в цій країні.

⚠ **ОБЕРЕЖНО:** Під час використання газової плити в приміщенні, де вона встановлена, виділяються тепло, волога і продукти згорання. Слід подбати про добру вентиляцію кухні, головним чином на час використання приладу: залишайте відкритими отвори для природної вентиляції або встановіть пристрій для примусової вентиляції (витяжку з примусовою вентиляцією). Під час тривалого інтенсивного використання приладу може знадобитися додаткова вентиляція, наприклад, може виникнути потреба відкрити вікно, або ж доведеться перемкнути витяжку (за наявності) на вищий рівень потужності.

⚠ Недотримання рекомендацій, зазначених у цьому посібнику, може призвести до займання або вибуху з подальшими матеріальними збитками або травмами.

Перед використанням приладу прочитайте ці інструкції з техніки безпеки. Збережіть їх для подальшого використання.

У цих інструкціях та на самому приладі містяться важливі попередження про небезпеку, які слід завжди виконувати. Виробник не несе жодної відповідальності за недотримання цих інструкцій з техніки безпеки, за неналежне використання приладу або неправильне налаштування елементів управління.

⚠ **ПОПЕРЕДЖЕННЯ:** Якщо варильна поверхня тріснула, не користуйтеся приладом – існує ризик ураження електричним струмом.

⚠ **ПОПЕРЕДЖЕННЯ:** Щоб уникнути пожежі: не зберігайте жодних предметів на поверхнях для приготування.

⚠ **ОБЕРЕЖНО:** за процесом готування слід наглядати. За короткочасним процесом готування слід наглядати постійно.

⚠ **ПОПЕРЕДЖЕННЯ:** Необережне приготування їжі із змістом жиру або олії на варильній панелі може бути небезпечним - це може призвести до виникнення пожежі. НІКОЛИ не намагайтеся загасити вогонь водою. Вимкніть прилад і накрийте чимось вогонь, наприклад кришкою або протипожежною ковдрою.

⚠ Не використовуйте варильну панель як робочу поверхню або як підставку. Не кладіть одяг або інші

легкозаймісті матеріали поблизу приладу, доки повністю не охолонуть всі його компоненти – існує ризик виникнення пожежі.

⚠ Не дозволяйте маленьким дітям (до 3 років) підходити надто близько до приладу. Не дозволяйте маленьким дітям (від 3 до 8 років) підходити надто близько до приладу без постійного нагляду. До користування приладом допускаються діти віком від 8 років, особи з фізичними, сенсорними чи розумовими вадами, а також особи, які мають незначний досвід чи знання щодо використання цього приладу, лише за умови, що такі особи отримали інструкції щодо безпечного використання приладу, розуміють можливий ризик або використовують прилад під наглядом осіб, що відповідають за їхню безпеку. Не дозволяйте дітям гратися з приладом. Діти можуть чистити та обслуговувати прилад лише під наглядом дорослих.

⚠ **ОБЕРЕЖНО:** У разі пошкодження скла конфорки: негайно вимкніть усі конфорки та будь-які електричні нагрівальні елементи і відключіть прилад від джерела живлення; не торкайтеся поверхонь приладу; не користуйтеся приладом.

Скляна кришка може зламатися, якщо нагріється. Перед закриванням кришки вимкніть усі конфорки та електричні панелі. Не закривайте кришку під час роботи конфорки.

⚠ **ПОПЕРЕДЖЕННЯ:** Під час використання прилад і його доступні частини нагріваються. Слід бути обережними, щоб не торкнутися нагрівальних елементів. Дітей до 8 років не можна залишати поруч із приладом без постійного нагляду.

ДОЗВОЛЕНЕ ВИКОРИСТАННЯ

⚠ **ОБЕРЕЖНО:** Цей прилад не призначений для експлуатації із зовнішнім приладом для перемикання, наприклад, таймером або окремою системою дистанційного керування.

⚠ Цей прилад призначено для використання в побутових і подібних умовах, наприклад таких: в кухонних зонах магазинів, офісів та інших робочих середовищ; у фермерських господарствах; клієнтами в готелях, мотелях, хостелах й інших житлових приміщеннях.

⚠ Забороняється використовувати прилад для інших цілей (наприклад, для опалення приміщень).

⚠ Цей пристрій не призначений для професійного використання. Не користуйтеся приладом на вулиці.

⚠ Використовувати каструлі та сковороди, дно яких має такий самий або трохи більший діаметр, як і конфорки (див. відповідну таблицю). стежити, щоб каструлі на решітці не виступали за межі варильної панелі.

⚠ Неправильне використання решіток може призвести до пошкодження варильної панелі: Не

ставте решітку догори дном і не тягніть її по варильній панелі.

Регулюйте потужністю полум'я конфорки так, щоб воно не виходило за межі сковороди або каструлі.

Якщо поверхня варильної панелі виконана зі скла, не використовуйте чавунні, керамічні та виготовлені з натурального каменю каструлі та сковороди.

Не використовуйте: пристрої для рівномірного розсіювання полум'я (наприклад, металева сітка тощо); одночасно дві конфорки для одного посуду (наприклад, довгий посуд для приготування риби).

Якщо через певну місцеву якість подачі газу запалення конфорок викликає труднощі, рекомендовано повторити спробу запалювання, повернувши ручку керування потужністю конфорки до позначки малого полум'я.

У випадку встановлення витяжки над варильною поверхнею див. інструкції виробника витяжки для дотримання правильної відстані.

Захисні гумові ніжки на сітках можуть стати причиною удушення дітей. Після знімання сітки переконайтеся, що всі ніжки правильно встановлені.

УСТАНОВЛЕННЯ

⚠ Встановлення і обслуговування приладу повинно виконуватись принаймні двома особами для уникнення ризику травмування. Під час розпакування та встановлення приладу використовуйте захисні рукавиці – існує ризик порізів.

⚠ Електричні та газові з'єднання мають відповідати місцевим нормам.

⚠ Установлення, підключення водопостачання (за наявності) і електричних з'єднань, як і ремонтні роботи, повинні виконуватись кваліфікованим персоналом. Не ремонтуйте та не замінюйте жодну частину приладу, якщо в інструкції з експлуатації прямо не вказано, що це необхідно зробити. Недозволяйте дітям наближатись до місця установлення. Розпакувавши прилад, перевірте, чи немає на ньому пошкоджень після транспортування. Якщо це так, зверніться до дилера або найближчого центру післяпродажного обслуговування. Після встановлення залишки упаковки (пластик, пінополістиролові елементи тощо) повинні зберігатись в недоступному для дітей місці – існує небезпека удушення. Перед проведенням будь-яких робіт з установлення приладу слід відключити від електромережі для уникнення ризику ураження електричним струмом. Під час установлення приладу переконайтеся, що він не перетискає та не пошкоджує кабель живлення – існує ризик виникнення пожежі або ураження електрострумом. Вмикайте прилад лише після завершення процедури його встановлення.

⚠ **ПОПЕРЕДЖЕННЯ:** Критично важливими для безпеки і правильності використання приладу в усіх додаткових країнах є способи його модифікації і встановлення.

⚠ Використовуйте регулятори тиску, сумісні з показниками тиску газу, вказаними в інструкції.

⚠ Приміщення повинне бути оснащене витяжною системою, що видаляє всі гази і дим, які утворюються під час горіння.

⚠ У приміщенні також слід забезпечити належну циркуляцію повітря, оскільки для забезпечення нормального перебігу горіння потрібне свіже повітря. Приплив повітря не повинен бути меншим від 2 м³/год на кожний кіловат встановленої потужності.

⚠ Система циркуляції повітря повинна забирати свіже повітря безпосередньо з атмосфери за межами

приміщення за допомогою труби з площею внутрішнього перерізу не менше 100 см²; вхідний отвір повинен бути захищеним від будь-якого блокування.

⚠ Система також може постачати потрібне для процесу горіння повітря непрямым способом, тобто з суміжних приміщень, оснащених трубами для циркуляції повітря, що відповідають наведеним вище вимогам. Однак згадані вище приміщення не повинні бути приміщеннями спільного користування, спальними кімнатами або приміщеннями, що можуть бути пожежно небезпечними.

⚠ Пара рідкого палива спускається до підлоги, оскільки вона важча від повітря. Тому приміщення з балонами, наповненими зрідженим вуглеводневим газом, також слід оснастити вентиляторами, які б видаляли газ у випадку його витоку. Враховуючи згадані вище обставини, частково або повністю заповнені зрідженим вуглеводневим газом балони заборонено встановлювати або зберігати в приміщеннях або на складських майданчиках, що знаходяться нижче рівня землі (наприклад, у підвалах і подібних приміщеннях). Рекомендується зберігати лише балон, який використовується в приміщенні, і розташовувати його так, щоб на нього не могло діяти тепло від зовнішніх джерел (духових шаф, камінів, кухонних плит і т. п.), які можуть нагріти балон до температури вище 50 °С.

⚠ Усі столярні роботи виконуйте до вбудовування приладу в меблевий корпус і приберіть усю дерев'яну стружку та тирсу.

⚠ Якщо прилад не встановлений над піччю, необхідно встановити піддон для збирання рідини (не входить в комплект) у відділенні під приладом.

У разі виникнення труднощів з повертанням ручок керування потужністю пальників зверніться до центру післяпродажного обслуговування, щоб замінити кран пальника, якщо він виявиться несправним.

Заборонено перекривати отвори, що використовуються для вентиляції і розсіювання тепла.

ПІДКЛЮЧЕННЯ ГАЗУ

⚠ **ПОПЕРЕДЖЕННЯ:** Перед встановленням слід переконавшись, що місцеві умови постачання (тип газу і його тиск) і конфігурація газового приладу сумісні.

⚠ Перевірте, чи відповідає тиск газу значенням, вказаним у таблиці "Технічні умови пальників і сопел".

⚠ **ПОПЕРЕДЖЕННЯ:** Умови налаштування цього приладу вказані на спеціальній позначці (або на заводській табличці даних).

⚠ **ПОПЕРЕДЖЕННЯ:** Цей прилад не під'єднаний до пристрою видалення продуктів згорання. Його слід встановити і підключити відповідно до чинних норм встановлення. Особливу увагу потрібно приділити відповідним вимогам щодо вентиляції.

⚠ Якщо прилад приєднують до джерела зрідженого газу, слід максимально щільно затягнути регулювальний гвинт.

⚠ **ВАЖЛИВО:** Переконайтеся, що газовий балон або ємність із газом розміщується належним чином (у вертикальному положенні), а вже потім підключайте до них газовий прилад.

⚠ ПОПЕРЕДЖЕННЯ: Лише кваліфікованому майстру дозволяється проводити цю процедуру.

⚠ Використовуйте тільки гнучкий або жорсткий металевий шланг для підключення до газової системи.

⚠ Підключення за допомогою жорсткої труби (мідної або сталеві). Підключення до системи газопостачання слід виконувати таким чином, щоб на газовий прилад не діяло жодне зусилля натягу чи деформації. Газовий прилад оснащений у точці підключення газу Г-подібною з'єднувальною деталлю з ущільнювальним матеріалом, щоб уникнути витоку газу. Після обертання з'єднувальної деталі ущільнювальний матеріал завжди слід міняти (ущільнювальний матеріал постачається в комплекті газового приладу). З'єднувальна трубна деталь являє собою циліндричний охоплюваний з'єднувач із зовнішньою різью 1/2 дюйма для під'єднання газу.

⚠ Підключення безшовної гнучкої труби з нержавіючої сталі до з'єднувача з різью. З'єднувальна трубна деталь являє собою циліндричний охоплюваний з'єднувач із різью 1/2 дюйма для під'єднання газу. Такі труби слід встановлювати таким чином, щоб у повністю розправленому стані їх довжина не перевищувала 2000 мм. Коли з'єднання виконане, гнучка металева труба не повинна торкатися рухомих деталей і не повинна знаходитися в стисненому стані. Слід використовувати лише труби і ущільнювальні матеріали, що відповідають вимогам актуальних національних нормативів.

⚠ ВАЖЛИВО: У разі використання шланга з нержавіючої сталі його слід встановити так, щоб він не торкався жодних рухомих частин меблів (наприклад, висувного ящика). Його слід прокласти в місці, де немає жодних перешкод і де його можна оглянути по всій довжині.

⚠ Цей прилад слід під'єднувати до мережі газопостачання або до газового балона згідно з вимогами чинних національних нормативів. Перш ніж під'єднувати, переконайтеся, що даний прилад сумісний з системою газопостачання, якою плануєте користуватися. Якщо виявиться, що прилад несумісний з наявною системою, див. розділ "Налаштування відповідно до іншого типу газу".

⚠ Підключивши прилад до газової мережі, за допомогою мильної води перевірте, чи немає витоку газу. Запаліть пальники та поверніть відповідні ручки керування потужністю пальників у максимальне (1*), а потім мінімальне (2*) положення, щоб перевірити рівномірність полум'я.

НАЛАШТУВАННЯ ВІДПОВІДНО ДО ІНШОГО ТИПУ ГАЗУ

(Ці роботи має здійснювати кваліфікований персонал).

⚠ Для того, щоб пристосувати прилад до роботи з іншим типом газу, а не тим, на який він був налаштований на заводі-виробнику (зазначений на етикетці з технічними даними), виконайте наступні кроки, наведені після креслень щодо монтажу.

ПОПЕРЕДЖЕННЯ ПРО НЕБЕЗПЕКУ УРАЖЕННЯ ЕЛЕКТРИЧНИМ СТРУМОМ

⚠ ВАЖЛИВО: Інформація про споживання струму та напруги наведена на інформаційній табличці.

⚠ Слід забезпечити можливість від'єднання приладу від електромережі шляхом витягування вилки (за наявності) з розетки або за допомогою багатополюсного перемикача, встановленого перед розеткою згідно з нормами прокладання електропроводки, крім того, прилад має бути заземлений відповідно до національних стандартів електробезпеки.

⚠ Довжина кабелю живлення має бути достатньою для підключення приладу до електромережі після його встановлення в меблевий корпус. Не тягніть за кабель живлення приладу.

⚠ Не використовуйте подовжувачі, розгалужувачі або адаптери. Після підключення електричні компоненти мають бути недосяжними для користувача. Не використовуйте прилад, якщо ви мокрі або босоніж. Забороняється користуватися цим приладом у разі пошкодження кабелю живлення або вилки й у разі неналежної роботи приладу або пошкодження чи падіння.

⚠ Якщо кабель електроживлення пошкоджений, слід звернутись до виробника, сервісного агента або особи з подібною кваліфікацією для заміни на ідентичний кабель, щоб уникнути небезпеки - існує ризик ураження електричним струмом.


ЧИЩЕННЯ ТА ОБСЛУГОВУВАННЯ

⚠ ПОПЕРЕДЖЕННЯ: перед здійсненням технічного обслуговування приладу переконайтеся в тому, що прилад вимкнений і відключений від джерела живлення ніколи не застосовуйте пристрої чищення парою – існує ризик ураження електричним струмом.

⚠ Не використовуйте абразивні чи їдкі матеріали, очисники на основі хлору або металеві щітки.

⚠ Щоб не пошкодити пристрій електричного запалювання, не використовуйте його, коли конфорки знаходяться не на своїх місцях.


УТИЛІЗАЦІЯ ПАКУВАЛЬНИХ МАТЕРІАЛІВ

Пакувальний матеріал на 100% є вторинною сировиною, придатною для повторного використання, і позначений відповідним символом . Тому різні частини упаковки слід утилізувати відповідально та згідно з місцевими правилами щодо утилізації відходів.

УТИЛІЗАЦІЯ ПОБУТОВИХ ПРИЛАДІВ

Цей прилад виготовлено з матеріалів, які підлягають вторинній переробці або придатні для повторного використання. Утилізуйте Перед проведенням будь-якого чищення або технічного обслуговування слід переконавшись, що прилад охолонув. Його відповідно до місцевих правил утилізації відходів. Для отримання додаткової інформації про поводження з побутовими електричними приладами, їх утилізацію та вторинну переробку зверніться до місцевих органів, служби утилізації побутових відходів або в магазин, де ви придбали прилад. Цей прилад марковано відповідно до Європейської директиви 2012/19/ЄС, Директиви щодо відпрацьованого електричного й електронного обладнання (WEEE) та до Регламенту 2013 року про відходи електричного та електронного обладнання (зі змінами).

Забезпечивши правильну утилізацію цього приладу, ви допоможете запобігти негативним наслідкам для довкілля та здоров'я людей.

Символ  на виробі або в супровідній документації вказує на те, що прилад не можна утилізувати як побутові відходи, і що його потрібно здавати на утилізацію до відповідних центрів збору відходів для вторинної переробки електричного та електронного обладнання.

ПОРАДИ ЩОДО ЕНЕРГОЗБЕРЕЖЕННЯ

Використовувати каструлі та сковороди, площа дна яких дорівнює площі конфорки.

Використовувати тільки каструлі та сковороди з плоским дном.

За нагоди накривати каструлі кришками під час приготування.

Використовувати скороварку, щоб заощадити електроенергію та час.

ДЕКЛАРАЦІЯ ПРО ВІДПОВІДНІСТЬ

Цей прилад відповідає вимогам щодо екодизайну Регламенту ЄС 66/2014, вимогам щодо екодизайну для виробів, що споживають енергію, та Положенням про енергетичну інформацію (Поправка) (Вихід з ЄС) 2019 року, відповідно до європейського стандарту EN 30-2-1.

ТЕХНІЧНІ УМОВИ ПАЛЬНИКІВ І СОПЕЛ UA

КАТЕГОРІЯ II2H3+

Тип газу, що використовується	Тип конфорки	Маркування форсунки	Номинальна потужність теплового потоку кВт	Номинальне споживання	Номинальний обсяг споживання кВт	Тиск газу мбар		
						мін	ном.	макс.
ПРИРОДНИЙ ГАЗ (Метан) G20	Напівшвидка (SR)	97 A	1,65	157 л/год	0,40	17	20	25
	Допоміжна (AUX)	78 A	1,00	95 л/год	0,40			
	2-кільцева (DC)	140 H1	3,50	333 л/год	2,20			
СКРАПЛЕНИЙ ГАЗ (Бутан) G30	Напівшвидка (SR)	66 A	1,65	120 г/год	0,40	20	28-30	35
	Допоміжна (AUX)	50	1,00	73 г/год	0,40			
	2-кільцева (DC)	91	3,30	240 г/год	2,20			
СКРАПЛЕНИЙ ГАЗ (Пропан) G31	Напівшвидка (SR)	66 A	1,65	118 г/год	0,40	25	37	45
	Допоміжна (AUX)	50	1,00	71 г/год	0,40			
	2-кільцева (DC)	91	3,30	236 г/год	2,20			

Тип газу, що використовується	Конфігурація моделі 4 КОНФОРКИ	Номинальна потужність теплового потоку (кВт)	Загальний номинальний обсяг споживання	Об'єм повітря (м ³), необхідний для спалювання 1м ³ газу
G20 20 мбар	2SR - 1AUX - 1DC	7,80	743 л/год	9,52
G30 28-30 мбар	2SR - 1AUX - 1DC	7,60	553 г/год	30,94
G31 37 мбар	2SR - 1AUX - 1DC	7,60	543 г/год	23,80

ДЖЕРЕЛО ЕЛЕКТРОЕНЕРГІЇ: 220-240В~50-60Гц-0,6 Вт

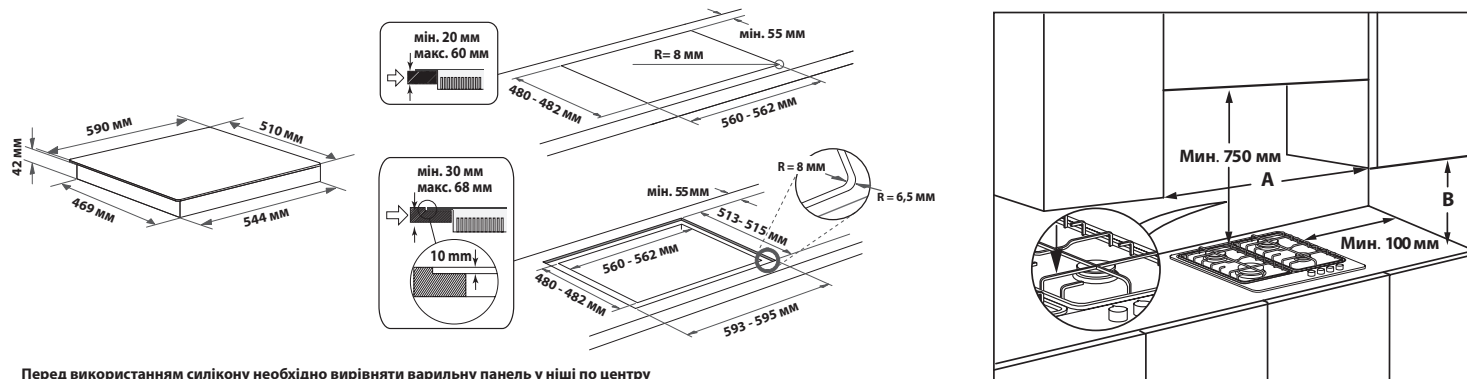


УСТАНОВЛЕННЯ (КЛАС 3)

ТЕХНІЧНА ІНФОРМАЦІЯ ДЛЯ МОНТАЖУ

- Під час обслуговування приладу, його підготовки до роботи та встановлення використовуйте захисні рукавиці.
- Для вбудування цього продукту підійдуть робочі поверхні завтовшки 20–60 мм, зі стандартною установкою. Для установки урівень 30 ÷ 68 мм.
- Якщо під варильною панеллю немає духової шафи, вставте піддон щонайменше такого ж розміру, як і отвір на робочій поверхні. Цей піддон слід розмістити максимум на 150 мм нижче верхньої частини робочої поверхні, але в жодному разі не ближче 20 мм від дна варильної панелі. Якщо ви плануєте встановлювати під варильною панеллю духову шафу, вона має бути оснащена системою охолодження.

РОЗМІРИ ТА ВІДСТАНІ, ЯКИХ СЛІД ДОТРИМУВАТИСЯ



Перед використанням силікону необхідно вирівняти варильну панель у ніші по центру

ПРИМІТКА. Якщо відстань "А" між настінними шафами має значення в діапазоні від 600 до 730 мм, висота "В" повинна мати значення принаймні 530 мм.

Якщо відстань "А" між настінними шафами більша за ширину варильної поверхні, висота "В" повинна мати значення принаймні 400 мм. У разі встановлення витяжки над варильною панеллю див. інструкції виробника витяжки, щоб визначити правильну відстань.

МОНТАЖ

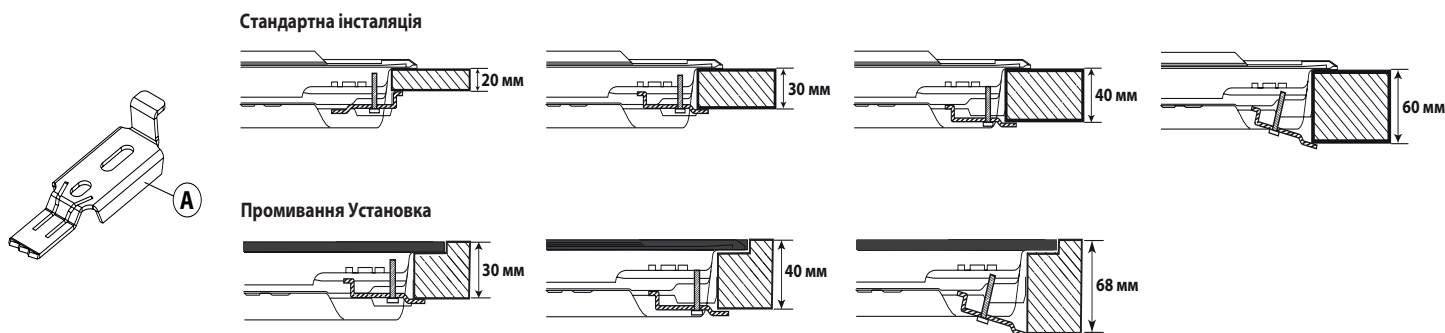
Очистивши поверхню по периметру, застосуйте до варильної панелі прокладку з комплекту постачання (див. рисунок).

Розмістіть варильну панель в отворі робочої поверхні, зробленого відповідно до вказаних у цих інструкціях розмірів.



ПРИМІТКА. Кабель живлення має бути достатньо довгим, щоб його можна було витягнути нагору.

Закріпіть варильну панель за допомогою скоб (А), що входять до комплекту. Припасуйте скоби відповідно до отворів, як показано стрілками на малюнку, а тоді затягніть їх за допомогою шурупів відповідно до товщини робочої поверхні (див. малюнки нижче).

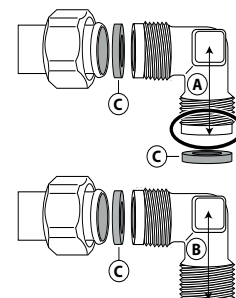


ПІДКЛЮЧЕННЯ ГАЗУ

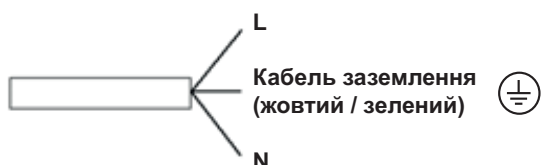
- З'єднайте колінчастий патрубок (А)* або (В)*, що входить до комплекту варильної панелі, з головною впускною трубою, поставивши між ними прокладку (С), що входить до комплекту та відповідає стандарту EN 549.

* Використовуйте патрубок А у Франції, а патрубок В для всіх інших країн.

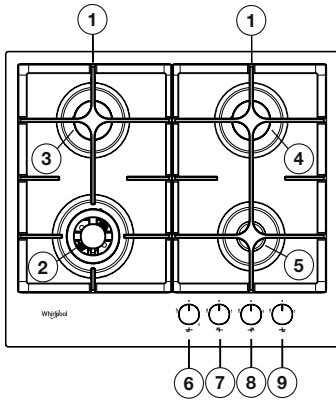
- Підключивши варильну панель до газової мережі, за допомогою мильної води перевірте, чи немає витoku газу. Запаліть конфорки та поверніть відповідні ручки керування потужністю конфорок у максимальне 0, а тоді в мінімальне 0 положення, щоб перевірити рівномірність полум'я.



ЕЛЕКТРИЧНЕ ПІДКЛЮЧЕННЯ



ОПИС ВИРОБУ



1. Знімні решітки для каструль
2. 2-кільцева конфорка
3. Напівшвидка конфорка
4. Напівшвидка конфорка
5. Допоміжна конфорка
6. Ручка керування потужністю 2- кільцевої конфорки
7. Ручка керування потужністю напівшвидкої конфорки
8. Ручка керування потужністю напівшвидкої конфорки
9. Ручка керування потужністю допоміжної конфорки

Символи

- Зафарбований круг ● Перекритий кран
- Велике полум'я 🔥 Максимальний отвір/подача й електричне запалювання
- Мале полум'я 🔥 Мінімальний отвір і знижена подача

ЩОДЕННЕ ВИКОРИСТАННЯ

ВИКОРИСТАННЯ ВАРИЛЬНОЇ ПАНЕЛІ

⚠ Регулюйте потужність полум'я конфорки так, щоб воно не виходило за межі сковороди або каструлі.

ВАЖЛИВО! під час використання варильної панелі може нагріватися вся її поверхня.

- Щоб запалити одну з конфорок, поверніть відповідну ручку проти годинникової стрілки до позначки максимального полум'я.
- Притисніть ручку до панелі керування, щоб запалити конфорку.
- Утримуйте ручку натиснутою впродовж 5–10 секунд після запалювання конфорки, щоб прилад запрацював належним чином.
- Захисний механізм цієї конфорки вимикає подачу газу на конфорку, якщо полум'я раптом зникає (через несподіваний протяг, перебої в подачі газу, википання рідини тощо).
- Не рекомендовано утримувати ручку натиснутою понад 15 секунд. Якщо і після цього періоду часу конфорка не запалиться, зачекайте хвилину, перш ніж спробувати запалити її ще раз.**

ПРИМІТКА. Якщо через певні місцеві умови та якість подачі газу виникають труднощі із запаленням конфорок, рекомендовано повторити спробу запалювання, повернувши ручку керування потужністю конфорки до позначки малого полум'я.

Полум'я конфорки може згаснути, якщо відпустити ручку. Це означає, що захисний механізм недостатньо прогрівся. У такому разі повторіть перелічені вище дії. Якщо полум'я випадково згасло, вимкніть газ ручкою регулювання та зачекайте приблизно 1 хвилину перед тим як запалювати його знову.

ПРАКТИЧНІ ПОРАДИ З ВИКОРИСТАННЯ КОНФОРОК

Ця варильна панель має конфорки різного діаметру. Щоб ефективніше використовувати конфорки, радимо:

- використовувати каструлі та сковороди, дно яких має такий самий або трохи більший діаметр, як і конфорки (див. таблицю праворуч);
- використовувати тільки каструлі та сковороди з плоским дном;
- використовувати правильну кількість води для приготування страв і накривати каструлі кришками;
- стежити, щоб каструлі на решітці не виступали за межі варильної панелі;
- (для сковорід із випуклим дном – вок) використовувати допоміжну решітку, яку слід розташувати тільки над багатокільцевою конфоркою;
- уникайте випадкових ударів каструлями, ґратками або іншою кухонними начинням;
- Не залишайте порожні сковороди для барбекю на увімкненій конфорці більше 5 хвилин.

ВАЖЛИВО! Неправильне використання решіток може призвести до пошкодження варильної панелі. Не ставте решітку догори дном і не тягніть її по варильній панелі.

КОНФОРКА	Ø КАСТРУЛІ
2-кільцева	Від 24 до 26 см
Напівшвидка	Від 16 до 22 см
Допоміжна	Від 8 до 14 см

Не використовуйте:

- чавунні, керамічні та виготовлені з натурального камення каструлі та сковороди;
- пристрої для рівномірного розсіювання полум'я (наприклад, металева сітка тощо);
- одночасно дві конфорки для однієї посудини (наприклад, довга посудина для приготування риби).

Потрапляння рідини на гарячу варильну панель може спричинити пошкодження скла.

НАЛАШТУВАННЯ ВАРИЛЬНОЇ ПАНЕЛІ ВІДПОВІДНО ДО ІНШОГО ТИПУ ГАЗУ

⚠ Лише кваліфікований майстер повинен проводити цю процедуру.

Якщо на варильну панель постачатиметься інший тип газу, ніж вказано в табличці технічних даних і на інформаційній етикетці на самій поверхні панелі, змініть форсунки. Зніміть інформаційну етикетку та зберігайте її в посібнику з інструкціями.

Використовуйте регулятори тиску, сумісні з показниками тиску газу, вказаними в цих інструкціях:

- Лише працівники центру післяпродажного обслуговування або кваліфіковані фахівці повинні замінювати газові форсунки.
- Форсунки, які не входять до комплекту постачання, слід замовляти в центрі післяпродажного обслуговування.
- Установіть для кранів подачі газу мінімальне значення.

ПРИМІТКА. У разі використання зрідженого нафтового газу (G30/G31) гвинт регулювання мінімального значення потрібно максимально закрити.

ВАЖЛИВО! У разі виникнення труднощів з поверненням ручок керування потужністю конфорок, зверніться до центру післяпродажного обслуговування, щоб замінити несправний кран конфорки.

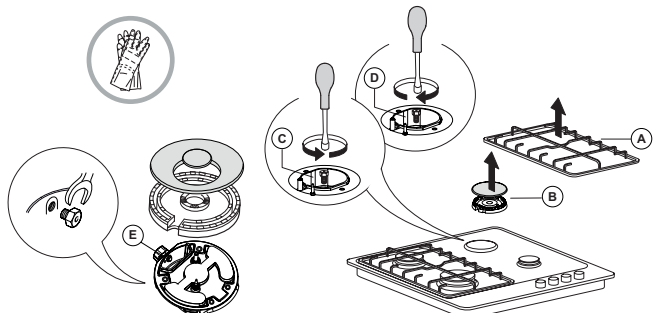
ВАЖЛИВО! Переконайтеся, що газовий балон або ємність із газом розміщуються належним чином (у вертикальному положенні), а вже потім підключайте до них варильну панель.

ВАЖЛИВО! Переконайтеся, що газовий балон або ємність із газом розміщуються належним чином (у вертикальному положенні), а вже потім підключайте до них варильну панель.

ЗАМІНА ФОРСУНОК (див. Таблицю форсунок в Інструкціях з техніки безпеки)

⚠ Лише кваліфікований майстер повинен проводити цю процедуру.


- Зніміть решітки (A).
- Витягніть конфорки (B).
- За допомогою торцевого ключа відповідного розміру розкрутіть форсунку (C) яку потрібно замінити.
- Замініть її на форсунку, придатну для нового типу газу.
- Вмонтуйте форсунку (D).
- Якщо конфорка має декілька коронок, замініть форсунку за допомогою бічного гайкового ключа (E).



Перш ніж установлювати варильну панель, не забудьте прикріпити табличку калібрування газу, що постачається з форсунками, щоб вона відповідала фактичним даним про калібрування подачі газу.

НАЛАШТУВАННЯ КРАНІВ НА МІНІМАЛЬНУ ПОДАЧУ ГАЗУ



⚠ Лише кваліфікований майстер повинен проводити цю процедуру.

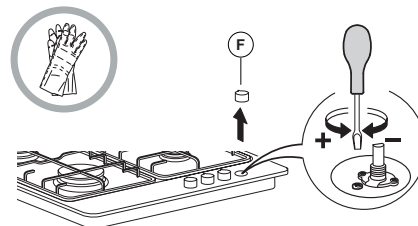
Налаштовувати подачу газу потрібно тоді, коли кран знаходиться в положенні мінімальної подачі (маленьке полум'я) .

Первинне повітря в конфорках налаштовувати не потрібно.

Щоб пересвідчитися в правильному налаштуванні мінімальної подачі газу, зніміть ручку керування потужністю конфорки (F) та виконайте перелічені нижче дії:

- Закрутіть гвинт, щоб зменшити висоту полум'я (-);
- Послабити гвинт, щоб збільшити висоту полум'я (+).

На цьому етапі запаліть конфорку та поверніть ручку керування потужністю конфорки на максимальне , а тоді на мінімальне  значення, щоб перевірити рівномірність полум'я.



Завершивши налаштування, запечатайте необхідні ділянки за допомогою сургучу або аналогічного матеріалу.

ОБСЛУГОВУВАННЯ І ОЧИЩЕННЯ

⚠ Від'єднайте прилад від джерела живлення.

ОЧИЩЕННЯ ПОВЕРХНІ ВАРИЛЬНОЇ ПАНЕЛІ

- Усі емальовані та скляні частини слід очищувати теплою водою та нейтральним розчином.
- Під час тривалого контакту з вапнистою водою або абразивними миючими засобами на поверхнях із нержавіючої сталі можуть виникнути плями. Пролиту рідину (вода, соус, кава тощо) слід витирати одразу, ще до того, як вона засохне.
- Очищувати панель потрібно теплою водою та нейтральним миючим засобом, а тоді витирати насухо за допомогою м'якої тканини чи замші. Бруд від припалених решток їжі видаляйте за допомогою спеціальних очисників для поверхонь із нержавіючої сталі.

ПРИМІТКА. Нержавіючу сталь слід чистити тільки за допомогою м'якої тканини або губки.

- Не використовуйте абразивні чи їдкі матеріали, очисники на основі хлору або металеві щітки.
- Ніколи не застосовуйте пристрої, у яких для очищення використовується пара.
- Не використовуйте займісті продукти.
- Не залишайте кислотні або лужні речовини, наприклад оцет, гірчицю, сіль, цукор чи лимонний сік на варильній панелі.

ОЧИЩЕННЯ ЧАСТИН ВАРИЛЬНОЇ ПАНЕЛІ

- Чистьте скляні й емальовані частини лише за допомогою м'якої тканини чи губки.
- Решітки, кришки конфорок і конфорки можна також зняти, щоб почистити їх.
- Очистьте їх вручну за допомогою теплої води з неабразивним миючим засобом, видаляючи будь-які рештки їжі. Перевірте, чи жоден з отворів конфорки не забився.
- Промийте та висушіть їх.
- **Чавунну решітку можна мити в посудомийній машині. Перед тим, як помістити решітки в низ посудомийної машини, видаліть решітки їжі, що пригоріла.**
- Вставте конфорки у відповідні гнізда та належним чином накрийте конфорки кришками.
- Ставлячи на місце решітку, переконайтеся, що місце для кастрюлі збігається з конфоркою.
- Для забезпечення справної роботи на моделях, що містять поршень електричного запалювання та захисний механізм, слід ретельно очищати край поршня. Часто перевіряйте ці елементи, а в разі необхідності чистьте їх вологою тканиною. Будь-які припалені рештки їжі слід видалити за допомогою зубочистки або голки.

ПРИМІТКА. Щоб не пошкодити пристрій електричного запалювання, не використовуйте його, коли конфорки знаходяться не на своїх місцях.

ПОСІБНИК З УСУНЕННЯ НЕСПРАВНОСТЕЙ

Якщо варильна панель працює неналежним чином, перш ніж звертатися до центру післяпродажного обслуговування, перегляньте "Посібник з усунення несправностей", щоб визначити проблему.

1. Конфорка не запалюється або полум'я нерівномірне

Перевірте, чи:

- не перекрита подача газу та джерело живлення, а особливо, чи відкритий кран подачі газу;
- газовий балон (зріджений газ) не порожній;
- не забиті отвори конфорки;
- не забруднена вилка розетки;
- усі частини конфорки розташовані правильно;
- біля варильної панелі немає протягів.

2. Конфорка гасне

Перевірте, чи:

- під час запалювання конфорки ви протягом тривалого часу утримували натиснутою ручку керування потужністю конфорки, щоб активувати захисний механізм;

- не забиті отвори конфорки біля термопари;
- не забруднено край захисного механізму;
- правильно налаштовано мінімальну подачу газу (див. відповідний розділ).

3. Резервуари конфорки нестабільні

Перевірте, чи:

- дно резервуара ідеально рівне;
- резервуар розміщено на конфорці рівно по центру;
- не переплутано місця решіток і їх правильно встановлено.

Якщо після вищевказаних перевірок несправність не зникає, зверніться до найближчого центру післяпродажного обслуговування.

ПІСЛЯПРОДАЖНЕ ОБСЛУГОВУВАННЯ

Для отримання більш повної допомоги зареєструйте свій прилад на сайті www.whirlpool.eu/register.

ПЕРШ НІЖ ЗВЕРТАТИСЯ ДО ЦЕНТРУ ПІСЛЯПРОДАЖНОГО ОБСЛУГОВУВАННЯ, ВИКОНАЙТЕ НАВЕДЕНІ НИЖЧЕ ДІЇ:

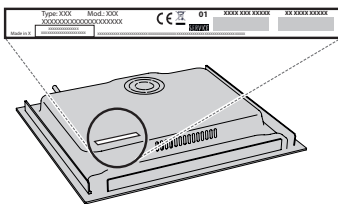
1. Перевірте, чи можна вирішити проблему самостійно за допомогою порад, наведених у розділі **ПОСІБНИК ІЗ УСУНЕННЯ НЕСПРАВНОСТЕЙ**.
2. Вимкніть прилад і знову увімкніть його, щоб перевірити, чи несправність залишається.

ЯКЩО ПІСЛЯ ВИЩЕВКАЗАНОЇ ПЕРЕВІРКИ НЕСПРАВНІСТЬ НЕ ЗНИКНЕ, ЗВЕРНІТЬСЯ ДО НАЙБЛИЖЧОГО ЦЕНТРУ ПІСЛЯПРОДАЖНОГО ОБСЛУГОВУВАННЯ.

Щоб отримати допомогу, зверніться за номером, що вказаний у гарантійному талоні, або дотримуйтесь інструкцій на сайті www.whirlpool.eu.

Під час зв'язку з нашим Сервісом післяпродажного обслуговування завжди уточнюйте:

- короткий опис несправності;
- тип і точну модель приладу;



- серійний номер (номер після слова SN на паспортній табличці, розташованій під приладом). Серійний номер вказаний також у документації;



Mod. XXX XXX

Ind.C. XXXX XXXX XXXX

Prod.N. 86999XXXXXXX S.N. XXXX XXXX XXXX

- повна адреса вашого місця проживання;
- ваш номер телефону.

Якщо потрібен ремонт, зверніться в авторизований центр післяпродажного обслуговування (щоб гарантувати, що будуть використані оригінальні запчастини та ремонт буде виконано правильно).

Whirlpool Management EMEA S.r.l.

via Carlo Pisacane n.1,
20016 Pero (MI), ITALY



400011662911

Whirlpool