

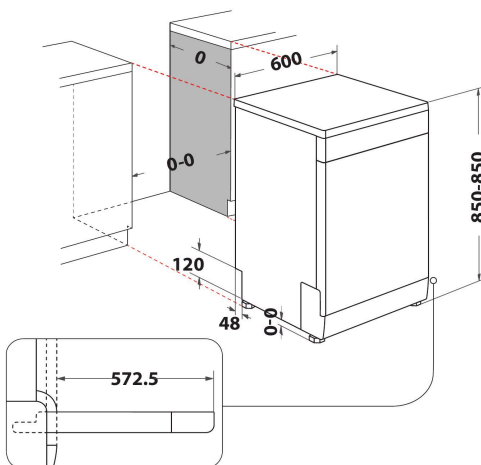
# WFC 3C26 F X SA

12NC: 859991630560

GTIN (EAN) code: 8003437622892

Whirlpool

SENSING THE DIFFERENCE



- Installation Type: Free-standing
- Energy class A++
- 14 place settings
- 6TH Sense Technology
- Noise level: 46 dB(A)
- 9.5 L per cycle (2660 L per year)
- PowerCleanPro
- PowerCleanPRO
- Third rack: Yes, fixed + handle plastic
- Autoclean filter
- Start delay 1-24 h
- Silent
- FlexiSpace
- Adjustable upper rack
- Multizone
- Tablet
- Prewash

## Whirlpool dishwasher: inox color, full size - WFC 3C26 F X SA

This Whirlpool Dishwasher features: inox color. Outstanding A++ energy rating, for reduced energy consumption. Convenient digital countdown timer, to inform you when the washing cycle is complete. Superb cleaning performance, for ideal washing results. Outstanding drying performance, providing excellent results.



### NaturalDry

The automatic door opening at the end of the program ensures better and more natural drying. This system guarantees higher energy efficiency and better drying results.



### Multizone

Possibility to wash only one basket at a time by selecting it when you program your cycle.



### EcoFriendly

Extraordinary savings. 6th SENSE EcoFriendly technology features intelligent sensors to continuously monitor the wash cycle and detect the level of soiling, adjusting resources accordingly. Enjoy ideal cleaning results and save up to 50% energy, water and time.\* (\*Comparison between minimum and maximum consumption on the 6th SENSE programs.)



### 14 Place Settings

All the space you need. This Whirlpool Dishwasher provides 14 versatile place settings, so you can enjoy all the space you need, always.



### 6th Sense

No prewash required. technology provides perfect washing results with no pre-washing, soaking or scrubbing by hand, while effectively reducing water consumption and costs.



### PowerClean Pro

Powerful water jets on the rear of the machine work to deliver supreme cleaning results on the toughest soil. The intelligent sensors detect the level of dirt and adapt the water pressure accordingly.



### Upper rack removability

Removable upper rack. Your Dishwasher's removable upper rack allows you to create extra space when needed, as well as fit unusually-shaped items, effortlessly.



### Start Delay

Tailored for you. The Start Delay option allows you to set the Dishwasher to begin its cycle whenever most convenient for you, saving you both time and energy.

# WFC 3C26 F X SA

12NC: 859991630560

GTIN (EAN) code: 8003437622892

Whirlpool

SENSING THE DIFFERENCE

## MAIN FEATURES

Construction type	Free-standing
Installation type	Free-standing
Type of control	Electronic
Type of control settings	-
Removable work top	Yes
Door decor panel	N/A
Main colour of product	Inox
Electrical connection rating (W)	1900
Current (A)	10
Voltage (V)	220-240
Frequency (Hz)	50
Length of Electrical Supply Cord (cm)	130
Plug type	South Africa
Length inlet hose (cm)	155
Length outlet hose (cm)	150
Adjustable plinth	No
Height of removable worktop (mm)	0
Adjustable feet	No
Height of the product	850
Width of the product	600
Depth of the product	590
Depth with open door 90 degree (mm)	-
Minimum niche height	0
Maximum niche height	0
Minimum niche width	0
Maximum niche width	0
Niche depth	590
Net weight (kg)	47
Gross weight (kg)	49

## TECHNICAL FEATURES

Automatic programmes	Yes
Maximum temperature for water intake (°C)	60
Start delay options	Continuous
Start delay time max. (h)	24
Progress indicator	-
Digital countdown indicator	Yes
Salt light indicator	Yes
Rinse aid light indicator	Yes
Safety device	N/A
Adjustable upper basket	Yes
Largest loadable dish upper basket (cm)	0
Largest loadable dish lower basket (cm)	0
Number of place settings	14

## PERFORMANCES

Energy efficiency class - NEW (2010/30/EU)	A++
Energy consumption annual (kWh/annum) - NEW (2010/30/EU)	266
Duration of the left-on mode - NEW (2010/30/EU)	12
Power consumption in left-on mode - NEW (2010/30/EU)	6
Power consumption in off-mode - NEW (2010/30/EU)	0.5
Water consumption annual (l/annum) - NEW (2010/30/EU)	2660
Noise level (dB(A) re 1 pW)	46

ENERGIA - ЕНЕРГИЈА - ΕΝΕΡΓΕΙΑ  
ENERGIJA - ENERGIY - ENERGIJE  
ENERGI

**266**  
kWh/annum

2660  
L/annum

ABCDEFG X 14

46  
dB

2010/1059