

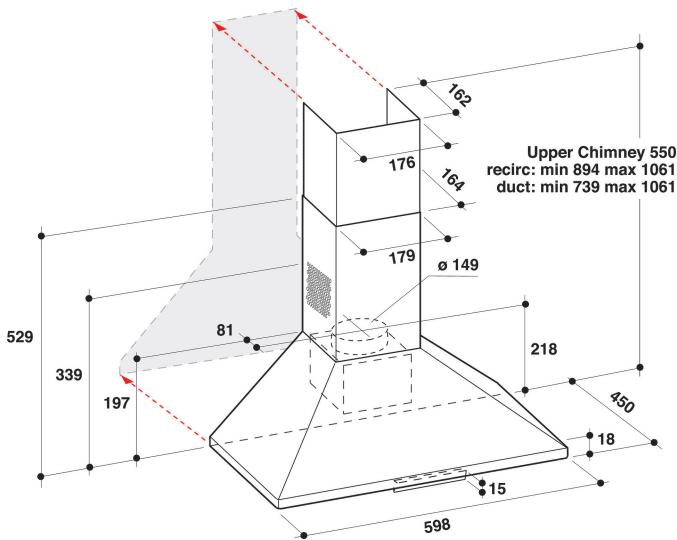
AKR 672 IX

12NC: 857867280000

GTIN (EAN) code: 8003437986284

Whirlpool

SENSING THE DIFFERENCE



- Maximum noise level 61 dBA
- Noise Level (min. - max.): 45-61 dBA
- Air Flow (min. - max.): 185, 368 m³/h
- Maximum extraction rate: 368 (m³/h)
- Energy class E
- 3 speed settings
- Integrated controls
- Odour Filter
- 2 Halogen, 56 W lamps
- 1 x 120 W motor
- Mechanical Slider
- 2 Washable aluminium filters
- Grease Filtering Efficiency Class: C
- Lighting Efficiency Class: G
- Fluid Dynamic Efficiency Class: F
- Operating Mode: Air extraction, Recirculating air
- Inox Finishing

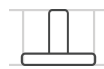
Whirlpool wall mounted cooker hood - AKR 672 IX

This Whirlpool wall mounted Cooker Hood features: dishwasher-safe, washable aluminium grease filters. An outstanding cooker extractor fan, ensuring a fresh, grease-free cooking environment. Less than 60cm wide appliance. New design ensuring extra silent performance.



Carbon Filter Included

Enjoy fresh air in your kitchen, always. This Whirlpool Hood includes a carbon purifying air filter, that effectively protects your kitchen from odours and grease.



Flexible Installation

Flexible installation options. This Whirlpool Hood can be operated in either Ducted or Recirculated mode (filter needed), so you can enjoy complete freedom when designing your kitchen.



Mechanical control

Effortless control. This Whirlpool Hood includes an analogue control interface designed for simplicity and ease-of-use.



3 Speeds

Versatile performance. This Whirlpool Hood offers 3 speed options, giving you complete control over the extraction rate.



Super Silent

Silent efficiency. This Whirlpool Hood is designed to operate at low noise-levels, so you can enjoy some extra peace and quiet.



Wall-mounted installation

Wall-mounted installation. This wall-mounted Whirlpool Hood is a breeze to install.



Total annual energy consumption

Ideal performance, outstanding savings. Whirlpool Hoods are designed to provide exceptional results, while reducing energy costs.



Mechanical Slider

Effortless control. This Whirlpool Hood features a slider controller, providing effortless control of your appliance.



Halogen Lamps

Halogen lamps generate 3 times more light than normal lamps, so you can always see what's cooking.



2 lights

Perfect lighting. This Whirlpool Hood features two integrated lights, providing ideal illumination, so you'll always be able to see what's cooking.



Energy class E

This is an Energy Class E appliance.

AKR 672 IX

12NC: 857867280000

GTIN (EAN) code: 8003437986284

Whirlpool

SENSING THE DIFFERENCE

MAIN FEATURES

| | |
|---|-------------------------------|
| Product group | Hood |
| Colour body | Inox |
| Material body | Stainless steel |
| Colour chimney | Inox |
| Material chimney | Stainless steel |
| Typology | Wall-mounted |
| Installation type | Wall-mounted |
| Type of control | Mechanical |
| Type of control settings | - |
| Decor panel options | N/A |
| Motor location | Integrated motor in hood body |
| Operating Mode | Convertible |
| Electrical connection rating (W) | 176 |
| Current (A) | 0,8 |
| Voltage (V) | 220-240 |
| Frequency (Hz) | 50/60 |
| Length of Electrical Supply Cord (cm) | 150 |
| Plug type | UK |
| Chimney height (mm) | 259-560 |
| Height of product, without chimney (mm) | 197 |
| Height of the product | 861 |
| Width of the product | 598 |
| Depth of the product | 450 |
| Minimum niche height | 0 |
| Minimum niche width | 0 |
| Niche depth | 0 |
| Net weight (kg) | 7.8 |

TECHNICAL FEATURES

| | |
|---|--------------------|
| Type of manual control devices | Slider |
| Type of automatic control devices | - |
| Number of motors | 1 |
| Total power of the motors (W) | 120 |
| Number of speed settings: boost option availability | 3 |
| Boost presence | No |
| Maximum output air extraction (m ³ /h) | 416 |
| Boost position air extraction (m ³ /h) | 0 |
| Maximum output recirculating air (m ³ /h) | 347 |
| Boost position output recirculating (m ³ /h) | 0 |
| Light Control Type | Steps |
| Number of lights | 2 |
| Type of lamps used | Halogen |
| Total power of the lamps (W) | 56 |
| Diameter of air outlet (mm) | 150 |
| No-return airflow flap | Yes |
| Grease filter material | Washable aluminium |
| Odour filter | Yes |

PERFORMANCES

| | |
|---|----|
| Sound power at min. speed (2010/30/EU) | 45 |
| Sound power at max. speed (2010/30/EU) | 61 |
| Noise level with boost position (dB(A) re 1 pW) | 0 |

