

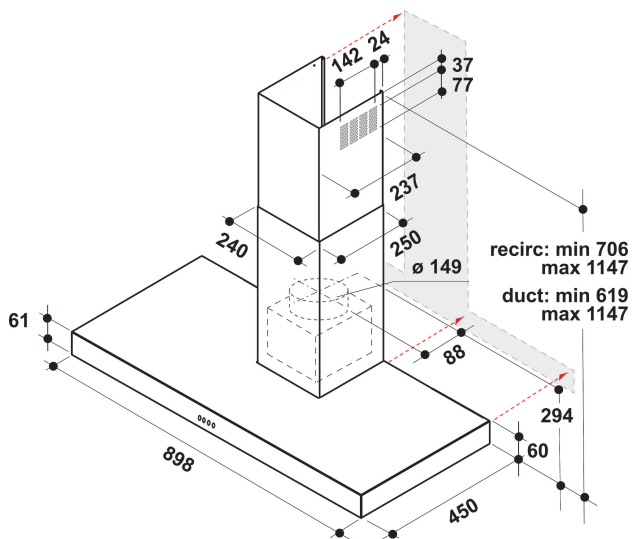
AKR 559/3 IX

12NC: 859991550660

GTIN (EAN) code: 8003437233210

Whirlpool

SENSING THE DIFFERENCE



- Maximum noise level 65 dBA
- Air Flow (min. - max.): 302, 428 m³/h
- Maximum extraction rate: 428 (m³/h)
- Energy class D
- Extraction / Recirculation Rate
%Z_REQ_MAX_OUT_EXTRACTION% / 155 m³/h
- Odour Filter
- 2 LED, 6 W lamps
- 1 x 140 W motor
- Mechanical Buttons
- 3 Washable aluminium filters
- Grease Filtering Efficiency Class: C
- Lighting Efficiency Class: D
- Fluid Dynamic Efficiency Class: E
- Operating Mode: Air extraction, Recirculating air
- Inox Finishing
- 1 Motor

Whirlpool wall mounted cooker hood - AKR 559/3 IX

This Whirlpool wall mounted Cooker Hood features: dishwasher-safe, washable aluminium grease filters. LED lights for ideal lighting. An outstanding cooker extractor fan, ensuring a fresh, grease-free cooking environment. New design ensuring extra silent performance.



LED lighting

Increased energy and cost efficiency. The LED lighting system lasts 10 times longer than traditional bulbs and uses 90% less energy.



Carbon Filter Included

Enjoy fresh air in your kitchen, always. This Whirlpool Hood includes a carbon purifying air filter, that effectively protects your kitchen from odours and grease.



Flexible Installation

Flexible installation options. This Whirlpool Hood can be operated in either Ducted or Recirculated mode (filter needed), so you can enjoy complete freedom when designing your kitchen.



Wall-mounted installation

Wall-mounted installation. This wall-mounted Whirlpool Hood is a breeze to install.



Total annual energy consumption

Ideal performance, outstanding savings. Whirlpool Hoods are designed to provide exceptional results, while reducing energy costs.



Mechanical control

Effortless control. This Whirlpool Hood includes an analogue control interface designed for simplicity and ease-of-use.



TIMER

Perfect timing. This Whirlpool Hood includes an intuitive timer, for added convenience.



2 lights

Perfect lighting. This Whirlpool Hood features two integrated lights, providing ideal illumination, so you'll always be able to see what's cooking.



Energy class D

This is an Energy Class D appliance.

AKR 559/3 IX

12NC: 859991550660

GTIN (EAN) code: 8003437233210

Whirlpool

SENSING THE DIFFERENCE

MAIN FEATURES

Product group	Hood
Colour body	Inox
Material body	Stainless steel
Colour chimney	Inox
Material chimney	Stainless steel
Typology	Wall-mounted
Installation type	Wall-mounted
Type of control	Mechanical
Type of control settings	-
Decor panel options	N/A
Motor location	Integrated motor in hood chimney
Operating Mode	Convertible
Electrical connection rating (W)	146
Current (A)	1,6
Voltage (V)	220-240
Frequency (Hz)	50/60
Length of Electrical Supply Cord (cm)	150
Plug type	Schuko
Chimney height (mm)	-
Height of product, without chimney (mm)	0
Height of the product	1150
Width of the product	898
Depth of the product	450
Minimum niche height	0
Minimum niche width	0
Niche depth	0
Net weight (kg)	18.3

TECHNICAL FEATURES

Type of manual control devices	Buttons
Type of automatic control devices	-
Number of motors	1
Total power of the motors (W)	140
Number of speed settings: boost option availability	0
Boost presence	No
Maximum output air extraction (m ³ /h)	430
Boost position air extraction (m ³ /h)	0
Maximum output recirculating air (m ³ /h)	155
Boost position output recirculating (m ³ /h)	0
Light Control Type	On/Off
Number of lights	2
Type of lamps used	LED
Total power of the lamps (W)	6
Diameter of air outlet (mm)	150
No-return airflow flap	No
Grease filter material	Washable aluminium
Odour filter	Yes

PERFORMANCES

Sound power at min. speed (2010/30/EU)	57
Sound power at max. speed (2010/30/EU)	65
Noise level with boost position (dB(A) re 1 pW)	0

