



THANK YOU FOR BUYING A WHIRLPOOL PRODUCT.
In order to receive a more complete assistance,
please register your product on
www.whirlpool.eu/register



**Before using the appliance carefully
read the Safety Instruction.**



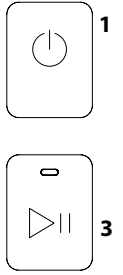
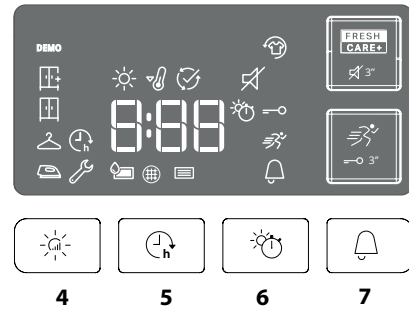
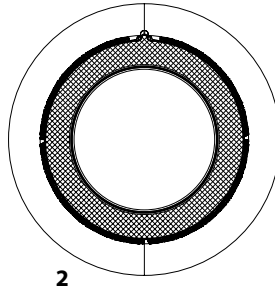
PLEASE SCAN THE QR CODE ON YOUR APPLIANCE IN ORDER TO REACH MORE INFORMATION.

CONTROL PANEL

- 1 ON/OFF button (hold for Reset)
- 2 Programme selection Knob
- 3 Start/Pause

Options buttons*

- 4 Dryness level
- 5 Start delay
- 6 Timed drying
- 7 Cycle end
- 8 Rapid (hold for Key lock)
- 9 FreshCare+ (hold for Mute)



*Note: some models may have the wording in full instead of the icons.

INDICATORS

Dryness level: Iron dry - Hanger dry - Cupboard dry - Extra dry

Cycle phase: Drying - Cool down - End of cycle.

Empty water tank - **Clean door filter** - **Clean bottom filter**

Refer to troubleshooting section: **Failure:** Call after sales service

FIRST TIME USE

Make sure that the water tank is correctly inserted. Make sure that the drain hose on the back of the dryer is fixed correctly, either to the dryer's water tank, or to your domestic drainage system.

The dryer must be installed in a room with a temperature ranging between 5°C and 35°C to ensure proper operation. Before you use your dryer ensure that it has been in a upright position for at least 6 hours.

Opening the door during the cycle

The tumble dryer door can be opened at any time during the cycle to check progress and remove any garments already dry.

However, since opening the door can extend the drying time, the recommendation is to keep the door closed throughout the cycle process to save time and energy.

After closing the door, press the "Start/Pause" button within 15 minutes to resume the machine operation.

DAILY USE

Doing this will keep your machine working at its BEST:

- remember to empty your water tank after each drying cycle.

- remember to clean your filters after each drying cycle.

Refer to the Care & Maintenance section.

1. Plug the dryer into the power supply socket.
2. Open the door and load garments; always refer to instructions on clothing labels and the max loads indicated in the programme section. Empty pockets. Make sure garments do not get caught between the door and/or the door filter. Do not load items that are dripping wet. Do not tumble dry large, very bulky items. For optimal drying result, garments should be loaded one by one.
3. Close the door.
4. Press the "On/Off" button.
5. Select the most suitable programme for the type of fabric in that load.
6. Select the options, if necessary.
7. Press the "Start/Pause" button to begin drying.
8. At the end of the drying cycle, a buzzer will beep. An indicator on the control panel signals the end of the cycle. Turn the machine off by pressing the "On/Off" button, open the door and pull the clothing immediately out to prevent the formation of creases on laundry.

If the machine is not switched off manually, after about a quarter of an hour from the end of the cycle, the appliance turns off automatically to save energy.

Note that some models perform a final cool tumble phase, for this reason the fabrics may not feel hot.

In case of power failure, it is necessary to press the "Start/Pause" button to restart the cycle

CARE LABEL

Always check the care labels, especially when placing garments in the tumble dryer for the first time. Below are the most commonly used symbols:

- May be tumble dried.
- Do not tumble dry.
- Tumble dry – high heat.
- Tumble dry – low heat.



PROGRAMS

The duration of these programs will depend on the size of the load, types of textiles, the spin speed used in your washer and any extra options selected. **In machines equipped with display, the duration of the cycles is shown on the control panel.** The remaining time is constantly checked and adjusted during the drying cycle to show the best possible estimate.

Option to use - If all your loads on Automatic Cycles are consistently less dry or more dry than you would like, you may increase or decrease the dryness level using the specific option.

Eco **kg Max***

This is the most efficient programme in terms of energy consumption and is suitable for drying normal wet cotton laundry. The values on the Energy Label are based on this programme.

NOTE: For optimal energy efficiency this cycle by default is set up to "Cupboard Dry" level. For a higher dryness level we suggest using the Cotton cycle.

Cotton **kg Max***

Cycle suitable for drying all types of cotton, ready to be placed in the cupboard.

Mixed **kg 4**

This programme is ideal for drying cotton and synthetic fabrics together.

Bed linen **kg Max***

This programme is intended for drying cotton sheets.

Duvet

Programme intended to dry bulky items, such as a single duvet.

Shirts **kg 3**

This is a programme for Shirts made from cotton or cotton blend/synthetics.

Jeans **kg 3**

For drying sturdy cotton including denim trousers and jackets.

Easy ironing

This cycle relaxes fibres, thus making ironing and folding easier. Suitable for small load of damp or dry cotton and cotton blend fabrics. Not for wet items.

Refresh

A short programme suitable for refreshing fibres and garments through the emission of fresh air. Do not use on wet items. It can be used on with any load size but is more effective with small loads. It lasts about 20 minutes.

Rapid 30' **kg 0.5**

Ideal for drying cotton garments spun at high speed in the washing machine.

Sport **kg 4**

For drying synthetics or cotton sports garments.

Silk **kg 0.5**

Gentle drying of silk garments.

Wool **kg 1**

Programme for drying wool clothes. It is advisable to turn the items inside out before drying. If heavy edges remain damp, leave them to dry naturally.

Delicates **kg 2**

For drying delicate laundry requiring gentle treatment.

Synthetics **kg 4**

For drying synthetic fabrics.


***MAX LOAD 9 Kg (Dry load)**


OPTIONS

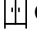
These buttons allow you to personalise the selected programme according to personal requirements. Not all options are available for all programmes. Some options may be incompatible with ones you have previously set; if so, you will be alerted by the buzzer and/or blinking indicators. If the option is available, the option indicator will stay on. The programme may retain some options selected in previous drying cycles.


Dryness level

Press the related button several times to obtain a different level of residual moisture on garments. An indicator signals the level being selected.

 **Iron dry:** very delicate drying. Items will be more easily ironed immediately after the cycle.

 **Hanger dry:** a level intended for delicate garments ready to be hanged.

 **Cupboard dry:** the laundry is ready to be folded and put away.

 **Extra dry:** for laundry intended to be worn at the end of the cycle.

Timed drying

This option is to manually set the drying time. Press the corresponding button to set the required time for drying. An indicator on the control panel signals the time being selected.

Start delay

This option is for delaying the start of the cycle. Press the corresponding button several times to find the required delay. Once the max time is reached, the option is reset by pressing the button again. An indicator on the control panel signals the time being selected. After pressing the "Start/Pause" button, the machine signals the time remaining to the start of the cycle. If the door is opened, press the "Start/Pause" button once the door has been closed.

Rapid

Enables quicker drying.

FreshCare+

If laundry is left inside of the drum once the cycle has ended, it can be subjected to bacterial proliferation. This option helps to prevent this from happening by controlling the temperature and gently rotating the drum. This will continue for up to 6 hours after the end of the cycle. This setting will remain in the memory of the previous cycle. If this is used alongside Start Delay, a crease treatment will be performed during this phase by periodic rotations of the drum.

Key lock

This option makes all machine controls inaccessible, except the "On/Off" button. When the machine is on:

- to activate the option, keep the button pressed until the machine signals that the option has been enabled.
- to disable the option, keep the button pressed until the machine signals that the option has been disabled.

This option remains in memory if selected in previous drying.

Cycle end

This option activates a prolonged buzzer at the end of the cycle. Enable it if you are not sure to hear the normal sound at the end of the cycle. This option remains in memory if selected in the previous drying.

Mute

This option turns off all sounds of control panel. Only warnings remain active.

- to activate the option, keep the button pressed until the indicator goes on.
- to disable the option, keep the button pressed until the indicator goes off.

CLEANING AND MAINTENANCE

WARNING: unplug the dryer during the cleaning and maintenance procedures.

Emptying the water tank after each cycle (see Fig. A).

Pull the container out of the dryer and empty it into a sink or other suitable drain, then place it back properly. Do not use the dryer without having inserted the container back in place.

Cleaning the filters

Take out the filters and clean them by removing the lint from their surfaces with your hand or a cloth or using a vacuum cleaner, then put them back in place. The lint should be thrown in the garbage bin and not washed through the drain in order to avoid spreading microplastics in the used water system.

Do not use the dryer without having reinserted the filter in place.

Cleaning the door filter after each cycle (see Fig. B).

Remove the door filter as described below:

1. Open the door and pull the filter upwards.
2. Open the filter and remove the lint from all its parts. Replace the filter correctly making sure it is fully seated.

Cleaning the bottom filter when the relevant indicator turns on (see Fig. C).

NOTE: however, it is advisable to clean this filter after each cycle to optimise drying performance.

Remove the bottom filter as described below:

- C1. Open the bottom cover; take the handle and pull the filter out.
- C2. Open the rear side of the filter and remove the lint from the inner surface of the mesh.
- C3/C4. Check the bottom filter chamber every month. If you see residual lint accumulated on the metal fins, clean it with a vacuum cleaner, using a nozzle with a brush. It's crucial to do vertical movements, you may destroy the component if you try to clean it in horizontal direction. Avoid the direct contact of the hand with the fins - risk of cut.
- C5. Close the rear side of the filter and place it back by checking it is perfectly integrated into its seat, then lower the filter handle.
- C6. Close the bottom cover.

Make sure the air intake is free.

The filters are essential parts for drying. They are intended to collect the lint formed during the drying process. In case of clogged filters, the air flow inside the dryer would be seriously affected: the drying times would be longer, the energy consumption would increase and the dryer could be damaged. If these procedures are not carried out properly, the dryer may not start.

NOTE: After cleaning the filters the relevant indicator remains on; this is normal, it will disappear when you start a new drying cycle.

Cleaning the tumble dryer

- The external metal, plastic and rubber parts can be cleaned with a damp cloth.
- Clean the front air intake grille regularly (every 6 months) with a vacuum cleaner to remove any lint, fluff or dust deposits. Furthermore, remove any lint deposits from the filters area, using a vacuum cleaner every so often.
- Do not use solvents or abrasives.

TRANSPORT AND HANDLING

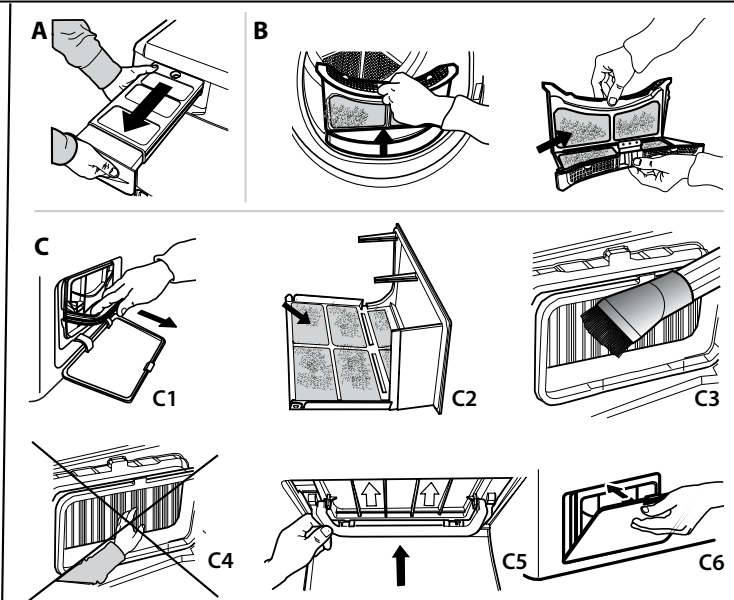
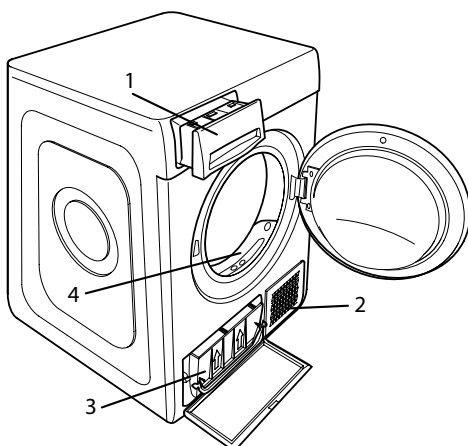
Never lift the dryer by holding it at the worktop.

1. Unplug the dryer.
2. Remove the water from the water tank completely.
3. Make sure that door and water tank are properly closed.
4. If the drain hose is connected to your drainage system, re-connect it to the back of the dryer (see "Installation" section in the Safety Instruction guide).

Power consumption			
off-mode (Po) - Watts	0.42		
left-on mode (PI) - Watts	2.00		
Programs	Kg	kWh	Minutes
Eco* ◁	9	2.16	211
Eco ◁	4.5	1.17	131
Synthetics	4	0.73	95
*This is the reference programme for the energy label and suitable to dry normal wet cotton laundry. This is the most efficient programme in terms of energy consumption for drying wet cotton laundry (Standard/Default starting configuration).			

PRODUCT DESCRIPTION

1. Water Tank
2. Air Intake
3. Bottom filter
4. Door filter



TROUBLESHOOTING

EN

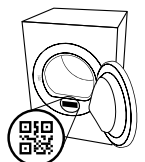
Before contacting the After-sales Service, refer to the table below. Often the malfunctions are minor and can be solved in few minutes.

Malfunction	Possible cause	Solution
The drying times are very long.	An appropriate maintenance was not carried out.	Refer to the Cleaning & Maintenance section and perform the operations described.
	The garments are too wet.	Carry out a washing cycle with higher spin speed to remove as much water as possible.
	Room temperature.	The drying time may be longer if the room temperature falls outside the 14–30°C range.
	The programme, the time and/or the drying level set are not suitable for the type and the amount of load inserted into the dryer.	Refer to Programmes and Options sections to find the programme and options most suitable for the type of load.
	The dryer may be overloaded.	Refer to the Programmes section to check the max load for each programme.
The tumble dryer does not turn on.	The "On/Off" button was not pressed.	Press the "On/Off" button.
	The plug is not inserted into the socket.	Insert the plug into the socket.
	The socket is faulty.	Try to plug another appliance in the same socket. Do not use connecting electrical devices to the socket, such as adapters or extensions.
	A power failure occurred.	Wait for the power supply to be restored and switch the fuse on again if necessary.
The tumble dryer does not start.	The door has not been closed properly.	Close the door.
	A time delay was set to the start of the cycle.	For machines equipped with this function: wait for the set delay to end or switch the machine off to reset it. Refer to the Options section.
	The "Start/Pause" button was not pressed.	Press the "Start/Pause" button.
	The Key Lock function was enabled (for machines equipped with this option).	If Key Lock was selected, disable it. Switching the machine off will not disable this option. Refer to the Options section.
Garments are wet at cycle completion.	Small load.	The automatic programme has not sensed the required final moisture so that the dryer completes the programme and stops. If this happens simply select an additional short period of drying or select Extra Dry option if available.
	Large loads or heavier fabrics.	Dryness levels can be modified to the specific dryness desired. Extra Dry is recommended for ready to wear items.
	The drying cycle was paused and then not reactivated within 15 minutes, causing the machine to shut down.	The drying cycle has to be set up once more and restarted.
	A power failure might have occurred, causing the machine to shut down.	The drying cycle has to be set up once more and restarted.
Lights on or flashing		
Water tank	The water tank is full.	Empty the water tank. Refer to the Cleaning & Maintenance section.
Door filter	Failure of the air flow necessary for machine operation.	Clean the door filter and check whether air intake is free. Carrying out these operations improperly may cause damages. Refer to Cleaning & Maintenance section.
Bottom filter*	The bottom filter requires cleaning.	Clean the bottom filter. Refer to Cleaning & Maintenance section.
The presence of wrench symbol signals a malfunction.	The machine sensors detected a failure.	Switch the dryer off and unplug it. Open the door immediately and pull laundry out, to allow the heat to dissipate. Wait for about 15 minutes. Reconnect the dryer to the power supply, load the laundry and restart the drying cycle. If the problem still occurs, contact the After-Sales Service Centre and communicate the letters and digits flashing on the display. For instance: F3 and E2.

*Note: some models are auto-cleaning and not equipped with bottom filter. Please refer to the Cleaning & Maintenance section.

Policies, standard documentation, ordering of spare parts and additional product information can be found by:

- Using QR code in your appliance
- Visiting our website docs.whirlpool.eu/docs and parts-selfservice.europeanappliances.com
- Alternatively, **contact our After-sales Service** (See phone number in the warranty booklet). When contacting our After-sales Service, please state the codes provided on your product's identification plate.



Whirlpool



DANKE, DASS SIE SICH FÜR EIN WHIRLPOOL PRODUKT ENTSCHEIDEN HABEN.
Für eine umfassendere Unterstützung melden Sie Ihr Produkt bitte unter www.whirlpool.eu/register an



Lesen Sie vor Gebrauch des Geräts die Sicherheitshinweise aufmerksam durch.



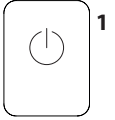
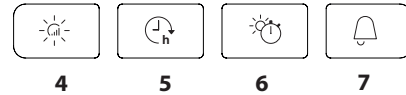
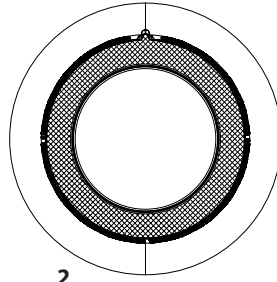
BITTE SCANNEN SIE DEN QR-CODE AUF IHREM GERÄT, UM DETAILLIERTERE INFORMATIONEN ZU ERHALTEN.

BEDIENTAFEL

- 1 Ein/Aus-Taste (bei langem Tastendruck Rücksetzung)
- 2 Programmwähler
- 3 Taste Start/Pause

Auswahltaste Optionen*

- 4 Trockengrad
- 5 Start In
- 6 Zeit-Programme
- 7 Programmende
- 8 Schnell (bei langem Tastendruck von Tastensperre)
- 9 FreshCare+ (bei langem Tastendruck von Stumm)



*Hinweis: bei einigen Modellen steht ein Schriftzug anstelle der Ikonen.

ANZEIGEN

Trockengrad: Bügeltrocken - Aufhängetrocken - Schranktrocken - Extra Trocken

Programmphase: Trocknen - Kühlen - Programmende

Wassertank Entleeren - **Türfilter reinigen** - **Bodenfilter reinigen**

Abschnitt Fehlersuche nachschlagen: **Störung:** Kundendienst rufen

ERSTINBETRIEBNAHME

Stellen Sie sicher, dass der Wassertank richtig eingesetzt ist. Stellen Sie sicher, dass der Abflussschlauch auf der Rückseite des Trockners richtig befestigt ist, entweder an dem Wasserbehälter des Trockners oder an ihrem häuslichen Abwassersystem. Der Trockner muss in einem Raum mit einer Temperatur zwischen 5 °C und 35 °C installiert werden, um einen ordnungsgemäßen Betrieb zu gewährleisten. Vergewissern Sie sich, dass Ihr Trockner mindestens sechs Stunden lang in vertikaler Position gestanden hat, bevor Sie ihn benutzen.

TÄGLICHER GEBRAUCH

So funktioniert Ihr Gerät OPTIMAL:

- nicht vergessen, den Wassertank nach jedem Trocknungszyklus zu leeren.
- nicht vergessen, die Filter nach jedem Trocknungszyklus zu reinigen.

Siehe Abschnitt Pflege & Wartung.

1. Stecken Sie den Stecker des Trockners in eine Steckdose.
2. Öffnen Sie die Tür und geben Sie die Kleidung in die Trommel; Beachten Sie immer die Anweisungen auf den Pflegeetiketten und die Angaben zur maximalen Beladung im Programmabschnitt. Leeren Sie die Taschen. Stellen Sie sicher, dass keine Kleidungsstücke in der Tür und/oder zwischen Tür und Türfilter eingeklemmt werden. Geben Sie keine tropfnassen Sachen in die Trommel. Trocknen Sie keine große, sehr voluminöse Sachen. Für optimale Trocknungsergebnisse sollten die Kleidungsstücke nacheinander eingelegt werden.
3. Tür schließen.
4. "Ein/Aus"-Taste drücken.
5. Wählen Sie das am besten geeignete Programm für den Gewebetyp dieser Beladung.
6. Wählen Sie die Optionen, falls nötig.
7. Drücken Sie die Taste "Start/Pause", um das Trocknen zu starten.
8. Am Ende des Trocknungszyklus ertönt ein Summer. Eine Anzeige auf dem Bedienfeld meldet das Ende des Zyklus. Schalten Sie die Maschine durch Drücken der "Ein/Aus"-Taste aus, öffnen Sie die Tür
entnehmen Sie sofort die Beladung, um die Knitterbildung an der Wäsche zu vermeiden.

Wird die Maschine nicht manuell ausgeschaltet, schaltet sich das Gerät etwa eine Viertelstunde nach dem Ende des Zyklus automatisch aus, um Energie zu sparen.

Beachten Sie, dass einige Modelle eine abschließende kühle

Trocknungsphase ausführen, weshalb sich die Textilien möglicherweise nicht heiß anfühlen

Bei einem Stromausfall muss die "Start/Pause"-Taste gedrückt werden, um den Zyklus neu zu starten.

Öffnen der tür bei laufendem programm

Die Trocknertür kann jederzeit während des Programms geöffnet werden, um den Fortschritt zu überprüfen und bereits trockene Kleidungsstücke zu entnehmen.

Da das Öffnen der Tür jedoch die Trocknungszeit verlängern kann, wird empfohlen, die Tür während des gesamten Zyklus geschlossen zu halten, um Zeit und Energie zu sparen.

Drücken Sie nach dem Schließen der Tür die Taste "Start/Pause" innerhalb von 15 Minuten, um den Trockner weiterlaufen zu lassen.

TRANSPORT/UMZUG

Heben Sie den Trockner niemals an der Oberseite an.

1. Stecken Sie den Trockner aus.
2. Nehmen Sie den Wasserbehälter heraus.
3. Stellen Sie sicher, dass Tür und Wassertank korrekt geschlossen bzw. eingesetzt sind.
4. Wenn der Abflussschlauch an Ihr Abwassersystem angeschlossen ist, befestigen Sie den Abflussschlauch auf der Hinterseite des Trockners (siehe Installationsanleitung).

ETIKETTEN MIT PFLEGEHINWEISEN

Kontrollieren Sie die Etiketten der Kleidungsstücke, besonders wenn Sie diese zum ersten Mal in den Wäschetrockner geben. Nachfolgend führen wir die gebräuchlichsten Symbole an:

- Kann im Wäschetrockner getrocknet werden.
- Nicht im Wäschetrockner trockenbar.
- Bei hoher Temperatur trocknen.
- Bei niedriger Temperatur trocknen.



PROGRAMME

Die Dauer der Programme ist abhängig von Beladung, Art der Gewebe, Schleudergeschwindigkeit Ihrer Waschmaschine und angewählten Optionen. **Bei Modellen mit Display wird die Programm Dauer an der Bedienblende angezeigt.** Die Restlaufzeit wird während des Trockenprogramms ständig überwacht und aktualisiert, um Ihnen die bestmögliche Schätzung zu liefern.
Zu verwendende Optionen - Wenn alle Beladungen bei Automatikprogrammen für Sie zu feucht oder zu trocken sind, können Sie den Trockengrad mit der spezifischen Option erhöhen oder senken.



Öko kg Max*

Standard-Baumwollprogramm, geeignet für trockene bis normal feuchte Baumwollwäsche. Das im Energieverbrauch effizienteste Programm zum Trocknen von Baumwollwäsche. Die Werte am Energielabel beziehen sich auf dieses Programm.

HINWEIS: Für optimale Energieeffizienz ist dieser Zyklus standardmäßig auf „Schranktrocken“ eingestellt. Für einen höheren Trockengrad empfehlen wir die Verwendung des Programms Baumwolle.



Baumwolle kg Max*

Programm zum Trocknen aller Arten von Baumwolle, bereit zum in den Schrank legen.



Mischwäsche kg 4

Dieses Programm ist ideal für das gleichzeitige Trocknen von Baumwoll- und pflegeleichten Geweben bis auf eine Trocknungsstufe, die das Bügeln erleichtert.



Bettwäsche kg Max*

Zum Trocknen von Bettwäsche aus Baumwolle.



Daunendecke

Zum Trocknen von voluminösen Stücken, wie beispielsweise eine Einzelbett-Daunendecke.



Hemden kg 3

Dieses Programm ist spezifisch für Hemden aus Baumwolle oder aus Baumwoll-Mischgewebe.



Jeans kg 3

Zum Trocknen von Jeans und Kleidungsstücken aus robustem Baumwollstoff wie Denim, beispielsweise Hosen und Jacken.



Bügelleicht

Dieser Zyklus entspannt die Fasern und erleichtert so das Bügeln und Falten. Geeignet für kleine Beladungen mit feuchten oder trockenen Baumwoll- und Baumwollmischgeweben. Nicht bei noch nassen Kleidungsstücken verwenden.



Auffrischen

Ein Kurzprogramm zum Auffrischen von Fasern und Kleidungsstücken durch Zuführung von frischer Luft. Keine noch nassen Stücke verwenden.

Das Programm kann für jede Ladung verwendet werden, ist jedoch bei geringer Füllmenge wirksamer. Das Programm dauert ca. 20 Minuten.



Schnell 30' kg 0.5

Zum Trocknen von Baumwollwäsche, die zuvor mit hoher Geschwindigkeit in der Waschmaschine geschleudert wurde.



Sport kg 4

Zum Trocknen von Sportkleidung aus Kunstfasern oder Baumwolle.



Seide kg 0.5

Schonendes Trocknen von Seidenkleidung.



Wolle kg 1

Zum Trocknen von Kleidungsstücken aus Wolle. Es empfiehlt sich, die Stücke vor dem Trocknen zu wenden. Schwerere, noch feuchte Säume und dgl. von selbst trocknen lassen.



Feinwäsche kg 2

Zum Trocknen von empfindlicher Wäsche, die eine schonende Behandlung braucht.



Pflegeleicht kg 4

Zum Trocknen von Wäsche aus pflegeleichten Fasern.

OPTIONEN

Diese Tasten ermöglichen Ihnen, das gewählte Programm nach Ihren persönlichen Anforderungen zu personalisieren. Nicht alle Optionen sind bei allen Programmen verfügbar. Einige Optionen können mit den zuvor von Ihnen eingestellten nicht kompatibel sein; in diesem Fall werden Sie durch den Summer und/oder blinkende Anzeigen benachrichtigt. Wenn die Option verfügbar ist, bleibt die Optionsanzeige eingeschaltet. Das Programm kann einige Optionen beibehalten, die in vorhergehenden Trocknungszyklen gewählt wurden.



Trockengrad

Die entsprechende Taste mehrmals drücken, um einen unterschiedlichen Restfeuchtegrad der Wäsche zu erzielen. Eine Kontrolllampe zeigt die angewählte Stufe an.



Bügel trocken: sehr sanftes Trocknen. Kleidungsstücke können sofort nach dem Programm leichter gebügelt werden.



Aufhängetrocknen: ein speziell für empfindliche Wäschestücke entwickelter Trockengrad, die danach aufgehängt werden können.



Schranktrocken: die Wäsche kann zusammengelegt und im Schrank verstaut werden.



Extra trocken: die Kleidungsstücke können danach direkt wieder getragen werden.



Zeit-Programme

Diese Option gestattet die Einstellung der Dauer des Trockenprogramms. Zur Einstellung der gewünschten Dauer, mehrmals die entsprechende Taste drücken. Eine Anzeige an der Bedienblende zeigt die gewählte Zeit an.



Start In

Diese Option gestattet die Einstellung eines zeitverzögerten Anlaufs des Programms. Zur Einstellung der gewünschten Startzeit, mehrmals die entsprechende Taste drücken. Bei Erreichen der maximal einstellbaren Zeit wird die Option bei nochmaligem Drücken der Taste zurückgesetzt. Eine Anzeige an der Bedienblende zeigt die gewählte Zeit an. Nach Drücken der Taste Start/Pause zeigt die Maschine die noch verbleibende Zeit bis zum Start des Programms an. Wenn die Tür geöffnet wird, muss nach dem Schließen derselben nochmals die Taste Start/Pause gedrückt werden.



Schnell

Ermöglicht ein schnelles Trocknen.



FreshCare+

Wird Wäsche nach dem Programmende in der Trommel gelassen, kann sie der Vermehrung von Bakterien ausgesetzt sein. Diese Option hilft, dies zu verhindern, indem die Temperatur kontrolliert und die Trommel sanft gedreht wird. Diese dauert bis zu 6 Stunden nach Beendigung des Programms. Diese Einstellung bleibt im Speicher des vorhergehenden Zyklus. Wird diese zusammen mit „Start in“ verwendet, wird während dieser Phase eine Knitterbehandlung durch regelmäßige Drehungen der Trommel ausgeführt.



Tastensperre

Diese Option sperrt alle Bedientasten der Maschine mit Ausnahme der Ein-/Austaste.

Bei eingeschalteter Maschine:

- um die Option zu aktivieren, muss die Taste so lange gedrückt gehalten werden, bis die Maschine signalisiert, dass die Option aktiviert ist.
- um die Option zu deaktivieren, muss die Taste so lange gedrückt gehalten werden, bis die Maschine signalisiert, dass die Option deaktiviert ist.

Diese Option bleibt gespeichert, wenn sie im vorherigen Trockenprogramm eingestellt war.



Programmende

Bei Anwahl dieser Option wird am Ende des Programms ein langgezogenes Tonsignal erscheinen. Sie kann genutzt werden, wenn Sie nicht sicher sind, dass Sie den normalen Ton bei Programmende hören können. Diese Option bleibt gespeichert, wenn sie im vorherigen Trockenprogramm eingestellt war.



Stumm

Diese Option gestattet das Abschalten der Tonsignale der Bedienblende. Die Störungsalarne bleiben aktiv.

- Zur Aktivierung dieser Option muss die Taste gedrückt gehalten werden, bis die entsprechende Kontrolllampe aufleuchtet.

*MAX BELADUNG 9 Kg (Trockenladung)

- Zum Abschalten der Option muss die Taste gedrückt gehalten werden, bis die entsprechende Kontrolllampe erlischt.

REINIGUNG UND WARTUNG

WARNUNG: Ziehen Sie vor der Reinigung und Wartung des Trockners den Netzstecker.

 Nach jedem Programm (siehe Abb. A) den Wassertank entleeren.

Den Behälter herausnehmen und den Inhalt in ein Waschbecken oder einen anderen geeigneten Abfluss entleeren. Dann wieder richtig einsetzen. Den Wäschetrockner keinesfalls betreiben, ohne vorher den Behälter wieder eingesetzt zu haben.

Reinigung der Filter

Nehmen Sie die Filter heraus und reinigen Sie sie indem Sie die Flusen mit der Hand, einem Tuch oder mit einem Staubsauger von der Oberfläche entfernen, und setzen Sie sie dann wieder ein. Die Flusen in den Mülleimer geworfen und nicht in den Abfluss gelangen sollten, um zu vermeiden, dass im Abwassersystem Mikroplastik verbreitet wird.

Den Wäschetrockner keinesfalls betreiben, ohne vorher den Filter wieder eingesetzt zu haben.

 Nach jedem Programm den Türfilter reinigen (siehe Abb. B).

Zum Herausnehmen des Türfilters ist wie folgt vorzugehen:

1. Die Tür öffnen und den Filter nach oben ziehen.
2. Den Filter öffnen und alle Bestandteile von Flusen befreien.

Den Filter wieder richtig einsetzen und kontrollieren, dass er bündig an der Dichtung des Trockners anliegt.

 **Reinigung des Bodenfilters bei Aufleuchten der zugehörigen Kontrolllampe (siehe Abb. C):**

HINWEIS: es empfiehlt sich jedoch, diesen Filter nach jedem Programm zu reinigen, um die optimale Leistung beizubehalten.

Zum Herausnehmen des Bodenfilters ist wie folgt vorzugehen:

- C1. Öffnen Sie die untere Abdeckung. Nehmen Sie den Griff und ziehen Sie den Filter heraus.
- C2. Die Rückwand des Filter öffnen und eventuelle Flusen auf der Innenfläche des Siebs entfernen.

C3/C4. Prüfen Sie die untere Filterkammer monatlich. Wenn sie an den Metalllamellen angesammelte Flusenreste finden, reinigen Sie sie mit einem Staubsauger. Verwenden sie dazu eine Düse mit Bürste.

Es ist wichtig, dass Sie senkrechte Bewegungen ausführen, da Sie das Bauteil zerstören können, wenn Sie versuchen, es in waagerechter Richtung zu reinigen. Vermeiden Sie den direkten Kontakt der Hand mit den Lamellen - Schnittgefahr!

C5. Schließen Sie die Rückseite des Filters und setzen Sie ihn wieder ein. Prüfen Sie, dass er einwandfrei sitzt, dann senken Sie den Filtergriff.

C6. Schließen Sie die untere Abdeckung.



Sicherstellen, dass das Gitter der Belüftungsöffnung frei ist.

Die Filter sind wesentliche Elemente des Trockners. Sie haben die Aufgabe, die Flusen zurückzuhalten, die sich beim Trocknen bilden. Verstopfte Filter würden den Umlauf der Luft im Trockner stark beeinträchtigen: die Maschine würde mehr Zeit benötigen, mehr Strom verbrauchen und Schaden nehmen. Wenn die Filter nicht ordnungsgemäß gereinigt werden, läuft der Trockner möglicherweise nicht an.

HINWEIS: nach der Reinigung der Filter bleibt die entsprechende Anzeige eingeschaltet. Das ist normal. Sie erlischt, wenn Sie einen neuen Trocknungszyklus starten.

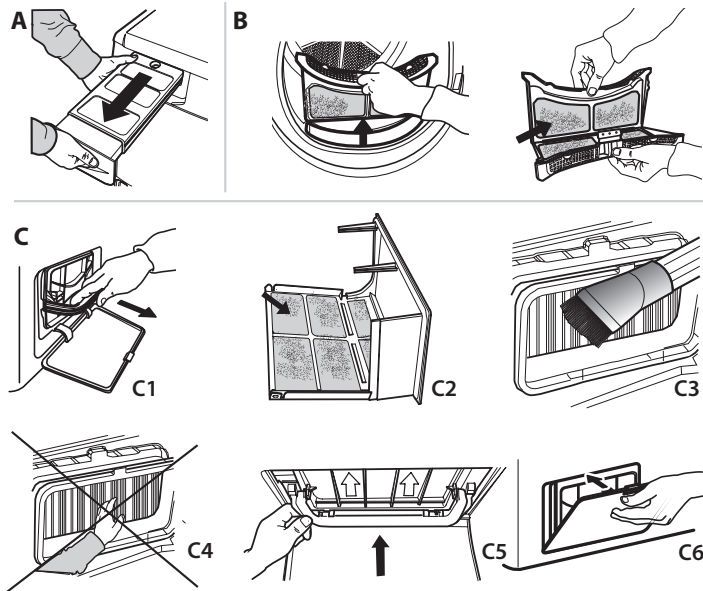
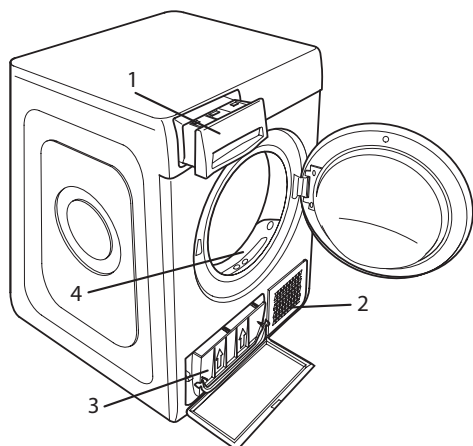
Reinigung des Trockners

- Die äußeren Metall-, Kunststoff- und Gummitteile können mit einem feuchten Tuch gereinigt werden.
- Reinigen Sie das vordere Lufteinlassgitter regelmäßig (alle 6 Monate) mit einem Staubsauger, um Fussel, Flusen oder Staubablagerungen zu entfernen. Verwenden Sie außerdem ab und zu einen Staubsauger, um Fusselablagerungen im Filterbereich zu entfernen.
- Verwenden Sie keine Lösungsmittel oder Scheuermittel.

Leistungsaufnahme			
Im ausgeschalteten Zustand (Po) - Watt			0.42
Im unausgeschalteten Zustand (Pi) - Watt			2.00
Programme	Kg	kWh	Minuten
Öko* 	9	2.16	211
Öko 	4.5	1.17	131
Pflegeleicht	4	0.73	95
* Referenzprogramm für Energielabel, das zum Trocknen normaler nasser Baumwollwäsche geeignet und in Bezug auf den Energieverbrauch für das Trocknen nasser Baumwollwäsche am effizientesten ist. (Standard-/Vorgegebene Anfangskonfiguration).			

PRODUKTBESCHREIBUNG

1. Wassertank
2. Gitter der Belüftungsöffnung
3. Bodenfilter
4. Türfilter



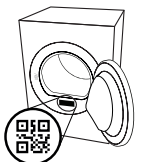
Im Störfall bitte die nachstehende Tabelle prüfen, bevor Sie den Kundendienst rufen. Funktionsstörungen sind oft nur geringfügig und können in wenigen Minuten behoben werden.

Störung	Mögliche Ursache	Abhilfe
Die Trockenzeiten sind sehr lang.	Es wurde keine ausreichende Wartung vorgenommen.	Den Abschnitt Reinigung und Wartung nachschlagen und die dort beschriebenen Arbeitsgänge ausführen.
	Die Wäsche bleibt zu nass.	Nach dem Waschen in der Waschmaschine mit höherer Drehzahl schleudern, um so viel Wasser wie möglich zu beseitigen.
	Raumtemperatur.	Die Trockenzeit kann länger ausfallen, wenn die Raumtemperatur außerhalb des Bereichs von 14–30 °C liegt.
	Eingestelltes Programm, Dauer und/oder Trockengrad sind für die Art oder die Menge der in den Trockner eingeführten Ladung nicht geeignet.	Das richtige Programm und die richtigen Optionen im Abschnitt Programme und Optionen nachschlagen.
	Der Trockner ist möglicherweise überlastet.	Die maximale Ladung für die einzelnen Programme im Abschnitt Programme nachschlagen.
Der Wäschetrockner lässt sich nicht einschalten.	Die Ein/Aus Taste wurde nicht gedrückt.	Drücken Sie die Ein/Aus Taste.
	Der Stecker wurde nicht in die Steckdose gesteckt.	Den Stecker in die Steckdose stecken.
	Die Steckdose ist defekt.	Als Gegenprobe ein anderes Haushaltsgerät an die gleiche Steckdose anschließen. Für den Anschluss am Stromnetz keine Zwischenelemente wie Adapter oder Verlängerungskabel verwenden.
	Die Stromversorgung ist ausgefallen.	Warten Sie, bis die Stromversorgung wiederhergestellt ist und schalten Sie die Sicherung wieder ein, falls nötig.
Der Wäschetrockner läuft nicht an.	Die Tür hat sich nicht richtig geschlossen.	Die Tür schließen.
	Es wurde eine spätere Startzeit des Programms eingestellt.	Bei Maschinen, die mit dieser Funktion ausgestattet sind: abwarten, bis die eingestellte Verzögerungszeit abgelaufen ist oder die Maschine abschalten, um sie zurückzusetzen. Die Optionen-Auswahl kontrollieren.
	Die Taste Start/Pause zum Starten des Programms wurde nicht gedrückt.	Die Taste Start/Pause drücken.
	Bei Maschinen mit Tastensperre wurde diese Option eingeschaltet.	Siehe Abschnitt Optionen. Wenn Tastensperre gewählt wurde, diese deaktivieren. Das Ausschalten der Maschine deaktiviert diese Option nicht.
Kleidungsstücke sind bei Programmende feucht.	Kleine Wäschemenge.	Das Automatikprogramm hat die erforderliche Endfeuchtigkeit nicht erfasst. Der Trockner beendet das Programm und stoppt. In diesem Fall einfach ein weiteres kurzes Trockenprogramm starten oder die Option Extra Dry auswählen, falls verfügbar.
	Große Beladungen oder schwerere Stoffe.	Die Trockengrade können auf die spezifische gewünschte Trockenheit geändert werden. Extra trocken wird für Stücke empfohlen, die sofort getragen werden.
	Der Trocknungszyklus wurde unterbrochen und nicht innerhalb von 15 Minuten wieder aktiviert, so dass sich das Gerät ausgeschaltet hat.	Der Trocknungszyklus muss erneut eingestellt und neu gestartet werden.
	Es könnte ein Stromausfall aufgetreten sein, der das Gerät ausgeschaltet hat.	Der Trocknungszyklus muss erneut eingestellt und neu gestartet werden.
Leuchten oder Blinken der Anzeigen		
Wassertank	Der Wassertank ist voll.	Den Wassertank entleeren. Den Abschnitt Reinigung und Wartung nachschlagen.
Türfilter	Störung des für den Betrieb der Maschine notwendigen Luftstroms.	Den Türfilter kontrollieren, sodass das Gitter der Belüftungsöffnung wieder frei ist. Wenn diese Vorgänge nicht ordnungsgemäß ausgeführt werden, könnte der Wäschetrockner Schaden nehmen. Den Abschnitt Reinigung und Wartung nachschlagen.
Bodenfilter*	Der Bodenfilter muss gereinigt werden.	Den Bodenfilter reinigen. Den Abschnitt Reinigung und Wartung nachschlagen.
Das Symbol des Schraubenschlüssels weist auf eine Störung hin.	Die Sensoren der Maschine haben eine Störung festgestellt.	Den Trockner abschalten und vom Stromnetz trennen. Sofort die Tür öffnen und die Wäsche herausnehmen, damit die Hitze entweichen kann. Circa 15 Minuten warten. Den Trockner wieder an das Stromnetz anschließen, die Wäsche einfüllen und das Programm starten. Sollte das Problem weiter bestehen bleiben, den Kundendienst rufen und diesem die Buchstaben und Ziffern mitteilen, die am Display blinken. z.B. F3 und E2.

*Hinweis: einige Modelle sind selbstreinigend, nicht mit dem Bodenfilter ausgestattet. Abschnitt Reinigung und Wartung nachschlagen.

Firmenrichtlinien, Standarddokumentation, Ersatzteilbestellung und zusätzliche Produktinformationen finden Sie unter:

- QR-Code-Verwendung bei Ihrem Gerät
- Besuchen Sie unsere Website docs.whirlpool.eu/docs und parts-selfservice.europeanappliances.com
- Alternativ können Sie **unserer Kundendienst kontaktieren** (Siehe Telefonnummer in dem Garantieheft). Wird unser Kundendienst kontaktiert, bitte die Codes auf dem Typenschild des Produkts angeben.





MERCI D'AVOIR CHOISI UN PRODUIT WHIRLPOOL.

Afin de profiter d'une assistance complète, veuillez enregistrer votre appareil sur www.whirlpool.eu/register



Lire attentivement les instructions de sécurité avant d'utiliser l'appareil.



MERCI DE SCANNER LE QR CODE SUR VOTRE APPAREIL POUR OBTENIR DES INFORMATIONS PLUS DÉTAILLÉES.

PANNEAU DE COMMANDE

1 Touche Marche/Arrêt (Remise à zéro en cas de pression prolongée)

2 Sélecteur de programmes

3 Départ / Pause

Touches Options*

4 Niveau de séchage

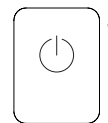
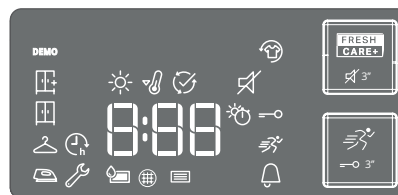
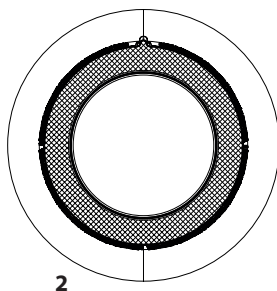
5 Départ différé

6 Temps de séchage

7 Fin de cycle

8 Rapide (Verrouillage en cas de pression prolongée)

9 FreshCare+ (Silence en cas de pression prolongée)



*Note : certains modèles peuvent contenir l'inscription écrite en entier à la place des icônes.

VOYANTS

Niveau de séchage: Prêt à repasser - Sur cintre - Prêt à ranger - Prêt à porter

Phase du cycle: Séchage - Refroidissement - Fin de cycle

Vider le réservoir d'eau - Nettoyer le filtre de porte - Nettoyer le filtre inférieur

Consulter la section résolution des problèmes: **Panne:** Contacter l'assistance

PREMIÈRE UTILISATION

Vérifiez que le réservoir d'eau soit correctement monté et que le tuyau de vidange situé au dos du sèche-linge soit branché correctement au réservoir de récupération de l'eau ou à votre système directe d'évacuation de l'eau.

Le sèche-linge doit être installé dans une pièce dont la température se situe entre 5°C et 35°C afin d'en assurer le bon fonctionnement.

Avant d'utiliser le sèche-linge, assurez-vous qu'il est resté en position verticale pendant au moins 6 heures.

UTILISATION QUOTIDIENNE

Le respect de cette notice permettra à votre machine de fonctionner de façon performante:

- rappelez-vous de vider le réservoir d'eau après chaque cycle de séchage.

- rappelez-vous de nettoyer votre filtre après chaque cycle de séchage.

Consultez la section Entretien.

1. Branchez le sèche-linge à la prise d'alimentation électrique.
2. Ouvrez la porte et chargez les vêtements; consultez toujours les instructions sur les étiquettes des vêtements et les charges maximales indiquées dans le chapitre programme. Videz les poches. Assurez-vous que les vêtements ne sont pas coincés entre la porte et/ou le filtre de porte. Ne chargez pas de vêtements qui ne sont pas essorés. Ne séchez pas d'articles très volumineux et de grandes dimensions. Pour un résultat de séchage optimal, les vêtements doivent être chargés un par un.
3. Fermez la porte.
4. Appuyez sur la touche "Marche/Arrêt".
5. Sélectionnez le programme le plus adapté pour le type de tissu dans ce chargement.
6. Sélectionnez les options, si nécessaire.
7. Appuyez sur le bouton "Départ/Pause" pour lancer le séchage.
8. À la fin du cycle de séchage, un signal sonore retentira. Un indicateur sur le panneau de commande signale la fin du cycle. Coupez la machine en appuyant sur le bouton "Marche/Arrêt", ouvrez la porte et retirez les vêtements immédiatement pour empêcher la formation de plis sur les vêtements.

Si la machine n'est pas coupée manuellement, après environ un quart d'heure à compter de la fin du cycle, l'appareil se coupe automatiquement pour économiser de l'énergie. Il faut noter que certains modèles effectuent une phase de refroidissement finale,

c'est la raison pour laquelle les tissus peuvent ne pas être chauds à la fin. En cas de panne de courant, il est nécessaire d'appuyer sur le bouton "Départ/Pause" pour relancer le cycle.

Ouverture de la porte durant le cycle

La porte du sèche-linge peut être ouverte à tout moment pendant le cycle pour vérifier la progression et éliminer les éventuels vêtements déjà secs.

Toutefois, puisque l'ouverture de la porte peut prolonger le temps de séchage, il est recommandé de maintenir la porte fermée pendant tout le processus du cycle pour gagner du temps et économiser de l'énergie.

Après la fermeture de la porte, appuyez sur le bouton "Départ/Pause" dans les 15 minutes pour reprendre le fonctionnement de la machine.

TRANSPORT ET SOULÈVEMENT

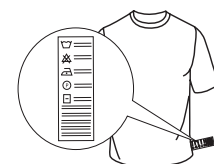
Ne levez jamais le sèche-linge en le tentant par sa partie supérieure.

1. Débranchez le sèche-linge
2. Enlevez toute l'eau du réservoir d'eau.
3. Assurez-vous que la porte et le réservoir d'eau sont correctement fermés.
4. Si le tuyau de vidange est branché à votre prise d'évacuation, fixez-le au dos du sèche-linge (voir les Instructions pour le montage).

ÉTIQUETTES D'ENTRETIEN

Regardez les étiquettes sur vos vêtements, en particulier lorsque vous les séchez pour la première fois au sèche-linge. Les symboles suivants sont les plus courants:

- Séchage en machine.
- Pas de séchage en machine.
- Séchage à haute température.
- Séchage à basse température.



PROGRAMMES

La durée de ces programmes dépend du poids du linge, du type de tissus, de la vitesse d'essorage utilisée sur votre machine à laver et des autres options sélectionnées.

Sur les modèles avec afficheur, la durée des cycles est indiquée sur le panneau de commande. Le temps résiduel est constamment surveillé et modifié durant le cycle de séchage pour montrer la meilleure estimation possible.

Option - Lorsque vous lancez un cycle automatique, et que vous constatez que vos affaires sont plus ou moins sèches que souhaitées, vous pouvez modifier le réglage par défaut, pour augmenter ou diminuer le niveau de séchage.

Eco **kg Max***

Programme coton standard, indiqué pour sécher le linge en coton normalement humide. Programme le plus efficace en matière de consommation d'énergie pour sécher le linge en coton. Les valeurs reportées sur l'Étiquette énergétique se réfèrent à ce programme.

REMARQUE: Pour un rendement énergétique optimal, ce cycle par défaut est réglé jusqu'au niveau « Prêt à ranger ». Pour un niveau de sécheresse plus élevé, nous vous suggérons d'utiliser le cycle Coton.

Coton **kg Max***

Cycle adapté pour le séchage de tous types de coton, prêts à être rangés dans l'armoire.

Mixte **kg 4**

Ce cycle est idéal pour sécher ensemble le coton et les synthétiques.

Linge de lit **kg Max***

Pour sécher les draps en coton.

Duvet

Pour sécher du linge volumineux comme, par exemple, une couette.

Chemises **kg 3**

Ce programme est destiné aux chemises en coton ou mixte coton/synthétique.

Jeans **kg 3**

Pour sécher les jeans et les vêtements en coton réalisés en matériaux semblables aux jeans robustes, comme les pantalons et les vestes.

Repassage facile

Ce cycle détend les fibres, facilitant ainsi le repassage et le pliage. Adapté à une petite charge de coton humide ou sec et de tissus en mélange de coton. N'utilisez pas avec des vêtements encore humides.

Rafraîchir

Programme rapide indiqué avec toutes les charges, mais plus efficace avec les petites charges. Ne pas utiliser avec du linge encore humide. Peut être utilisé avec toutes les charges, mais plus efficace avec les petites charges. Le cycle dure environ 20 minutes.

Rapide 30' **kg 0.5**

Pour sécher le linge en coton essoré à grande vitesse dans la machine à laver.

Sport **kg 4**

Pour sécher les vêtements de sports en synthétique ou coton.

Soie **kg 0.5**

Séchage délicat des vêtements en soie.

Laine **kg 1**

Pour sécher les vêtements en laine. Il est conseillé de retourner les vêtements avant leur séchage. Faire sécher naturellement les bords les plus épais qui sont encore humides.

Délicat **kg 2**

Pour sécher le linge délicat qui a besoin d'un traitement doux.

Synthétiques **kg 4**

Pour sécher le linge en fibres synthétiques.

***CHARGE MAX. 9 Kg (Chargement essoré)**


OPTIONS

Ces boutons vous permettent de personnaliser le programme sélectionné selon vos exigences personnelles.

Toutes les options ne sont pas compatibles pour tous les programmes. Certaines options peuvent être incompatibles avec celles que vous avez précédemment réglées ; dans ce cas, vous serez alertés par le signal sonore et/ou des indicateurs clignotants. Si l'option est disponible, l'indicateur d'option restera allumé. Le programme peut conserver quelques options sélectionnées dans des cycles de séchage précédents.


Niveau de séchage

Appuyer plusieurs fois sur le bouton pour obtenir un niveau différent d'humidité résiduelle du linge. Un voyant indique le niveau choisi.

 **Repassage:** séchage très délicat. Des articles seront plus faciles à repasser immédiatement après le cycle.

 **Sur cintre:** niveau étudié pour le linge délicat; prêt pour être mis sur les cintres.

 **Prêt à ranger:** le linge est prêt pour être plié et rangé dans l'armoire.

 **Prêt à porter:** utilisé pour les vêtements à porter dès la fin du cycle.

Temps de séchage

Cette option permet de choisir la durée du cycle de séchage. Appuyer plusieurs fois sur le bouton pour programmer le temps désiré de séchage. Un voyant lumineux, placé sur le panneau de contrôle, signale le temps choisi.

Départ différé

Cette option permet de programmer un délai par rapport au démarrage du cycle. Appuyer plusieurs fois sur le bouton correspondant afin d'obtenir le délai désiré. Après avoir atteint le temps maximum sélectionnable, une autre pression de la touche remet l'option à zéro. Un indicateur, placé sur le panneau de commande, signale le temps choisi. Après avoir appuyé sur la touche Départ/Pause: la machine signale le temps résiduel avant le démarrage du cycle. En cas d'ouverture de la porte, après sa fermeture, il est nécessaire d'appuyer de nouveau sur la touche Départ/Pause.

Rapide

Permet un séchage plus rapide.

FreshCare+

Si le linge est laissé à l'intérieur du tambour une fois que le cycle est terminé, il peut être soumis à une prolifération bactérienne. Cette option aide à empêcher que cela se produise en contrôlant la température et en faisant délicatement tourner le tambour. Cette rotation dure jusqu'à 6 heures après la fin du cycle. Ce réglage restera dans la mémoire du cycle précédent. Si elle est utilisée avec le Démarrage différé, un traitement anti-froissage sera réalisé pendant cette phase par des rotations régulières du tambour.

Verrouillage

Cette option rend toutes les commandes de la machine inaccessibles, sauf la touche Marche/Arrêt.

Avec la machine allumée:

- pour actionner l'option, il faut maintenir la touche appuyée jusqu'à ce que la machine signale que l'option a été validée.
- pour retirer l'option, il faut maintenir la touche appuyée jusqu'à ce que la machine signale que l'option a été exclue.

Si cette option a été sélectionnée lors du séchage précédent, elle demeure en mémoire.

Fin de cycle

Cette option actionne un signal sonore prolongé en fin de cycle. Il est conseillé de l'actionner si on n'est pas certain d'entendre le son normal de fin de cycle. Si cette option a été sélectionnée lors du séchage précédent, elle demeure en mémoire.

Silence

Cette option permet d'interrompre les signaux sonores.

Les alarmes d'anomalies de fonctionnement demeurent actives:

- pour valider l'option, il faut maintenir la touche appuyée jusqu'à ce que le voyant correspondant s'allume.
- pour retirer l'option, il faut maintenir la touche appuyée jusqu'à ce que le voyant correspondant s'éteigne.

NETTOYAGE ET ENTRETIEN

AVERTISSEMENT: débranchez le sèche-linge pendant les procédures de nettoyage et d'entretien.

🚰 Vidange du réservoir d'eau après chaque cycle (voir figure A).

Extraire le réservoir du sèche-linge et le vider dans un évier ou autre dispositif d'évacuation, puis le remettre à sa place correctement. Ne pas utiliser le sèche-linge sans avoir d'abord remis le réservoir à sa place.

Nettoyage des filtres

Extraire les filtres et nettoyez-les en enlevant les peluches de leurs surfaces avec la main ou un chiffon ou à l'aide d'un aspirateur, puis remettez-les en place. Les peluches doivent être jetées dans la poubelle et non évacuées dans les conduites d'eau afin d'éviter la propagation de microplastiques dans le système d'eau usée.

Ne pas utiliser le sèche-linge sans avoir d'abord remis le filtre à sa place.

🌀 Nettoyage du filtre de la porte après chaque cycle (voir figure B).

Comment extraire le filtre de la porte:

1. Ouvrir la porte et tirer le filtre vers le haut.
2. Ouvrir le filtre et le nettoyer entièrement, en éliminant les traces de peluches. Remettre le filtre à sa place en vérifiant qu'il soit introduit à fond et aligné avec le joint du sèche-linge.

📄 Nettoyage du filtre inférieur quand le indicateurs correspondant s'allume (voir figure C).

REMARQUE: il est cependant recommandé de nettoyer ce filtre après chaque cycle pour optimiser les prestations du sèche-linge.

Comment extraire le filtre inférieur:

C1. Ouvrez le capot inférieur; saisissez la poignée et sortez le filtre.

C2. Ouvrir la paroi arrière du filtre et éliminer les éventuels résidus de la surface interne du grillage.

C3/C4. Vérifiez le boîtier de filtre inférieur tous les mois. Si vous voyez des peluches résiduelles accumulées sur les ailettes métalliques, nettoyez-les avec un aspirateur, en utilisant une buse avec une brosse.

Il est crucial de faire des mouvements verticaux, vous risquez d'endommager le composant si vous essayez de le nettoyer dans le sens horizontal. Évitez le contact direct des mains avec les ailettes - risque de coupure.

C5. Fermez le côté arrière du filtre et le replacer en vérifiant qu'il est parfaitement intégré dans son logement, puis baissez la poignée de filtre.

C6. Refermer le capot inférieur.

Vérifier que la prise d'air soit libre.

Les filtres sont des composants fondamentaux du sèche-linge. Leur fonction est de recueillir les peluches qui se forment lors du séchage. Si les filtres sont bouchés, le flux d'air à l'intérieur du sèche-linge est gravement compromis : les temps de séchage s'allongent, on consomme davantage d'énergie et le sèche-linge peut subir des dommages. Si ces opérations ne sont pas effectuées correctement, le sèche-linge peut ne pas démarrer.

REMARQUE: après le nettoyage des filtres, le témoin correspondant reste allumé; c'est normal, il disparaîtra lorsque vous démarrerez un nouveau cycle de séchage.

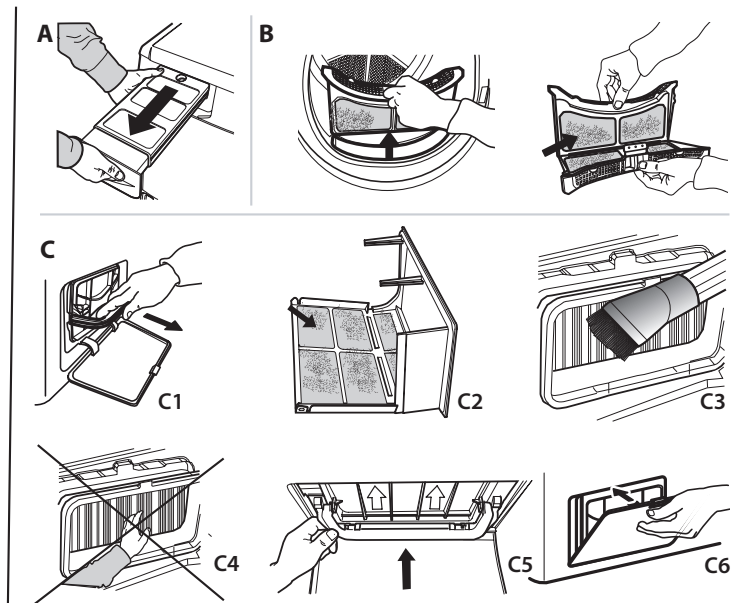
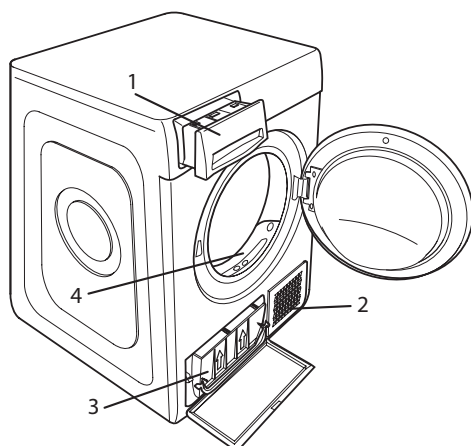
Nettoyage du sèche-linge à tambour

- Les pièces métalliques, en plastique et en caoutchouc peuvent être nettoyées avec un chiffon humide.
- Nettoyez la grille d'admission d'air régulièrement (tous les 6 mois) avec un aspirateur pour éliminer les dépôts de peluches, de duvet ou de poussière. En outre, enlevez tous les dépôts de peluches des filtres, à l'aide d'un aspirateur le plus souvent possible.
- N'utilisez pas de solvants ou d'abrasifs.

Consommation d'électricité			
Mode arrêt (Po) - Watts		0.42	
Mode laissé sur marche (Pl) - Watts		2.00	
Programmes	Kg	kWh	Minutes
Eco* ☐	9	2.16	211
Eco ☐	4.5	1.17	131
Synthétiques	4	0.73	95
* Programmes de référence pour l'étiquette énergétique, ce programme convient pour le séchage de textiles en coton normalement humides et constitue le programme le plus efficace en termes de consommation d'énergie pour le séchage de textiles en coton humides (configuration Standard/Prédéfinie initiale).			

DESCRIPTION DU PRODUIT

1. Réservoir d'eau
2. Grille d'entrée d'air
3. Filtre inférieur
4. Filtre de porte



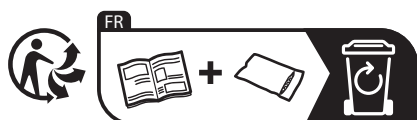
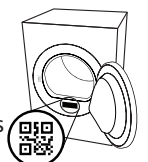
En cas de mauvais fonctionnement, avant de contacter l'assistance, contrôler le tableau ci-dessous. Les anomalies sont souvent de petite importance et elles peuvent être résolues en quelques minutes.

Anomalie	Cause possible	Solution
Les temps de séchage sont trop longs.	Négligence dans la maintenance.	Consulter la section Nettoyage et entretien et effectuer les opérations indiquées.
	Le linge est trop humide.	Effectuer un cycle de lavage avec un essorage important (tours minute plus élevés) pour éliminer le plus d'eau possible.
	Température ambiante.	La durée du séchage pourra être supérieure si la température de la pièce se situe hors de la plage 14-30°C.
	Le programme, les temps et/ou le niveau de séchage programmés ne sont pas adéquats pour le type ou pour la quantité de charge introduite dans le sèche-linge.	Consulter la section Programmes et options pour trouver le programme et les options les plus adéquats au type de charge effectuée.
	Le sèche-linge pourrait être surchargé.	Consulter la section Programmes et vérifier la charge maximum admise pour chaque programme.
Le sèche-linge ne s'allume pas.	La touche Marche/Arrêt n'a pas été enfoncée.	Appuyez sur la touche Marche/Arrêt.
	La fiche n'a pas été branchée dans la prise de courant.	Brancher la fiche dans la prise de courant.
	La prise de courant est endommagée.	Essayer de brancher un autre appareil électroménager dans la même prise. Ne pas utiliser de dispositifs électriques de branchement à la prise tels que des adaptateurs ou des rallonges.
	Une coupure de courant électrique s'est vérifiée.	Attendez que l'alimentation électrique soit rétablie et relancez le fusible si nécessaire.
Le sèche-linge ne démarre pas.	La porte n'a pas été fermée correctement.	Fermer la porte.
	On a programmé un départ différé pour le démarrage du cycle.	Sur les machines avec cette fonction : attendre la fin du départ différé programmé ou éteindre la machine pour la réinitialiser. Consulter la section Options.
	La touche Départ/Pause n'a pas été enclenchée.	Appuyer sur la touche Départ/Pause.
	Sur les machines munies de la fonction Verrouillage touches, cette option a été actionnée.	Consultez le chapitre Options. Si le Verrouillage a été sélectionné, désactivez-le. L'extinction de la machine ne désactivera pas cette option.
Les vêtements sont mouillés à la fin du cycle.	Faible charge.	Le programme automatique n'a pas détecté l'humidité finale requise et le sèche-linge achèvera le programme et s'arrêtera. Si cela se produit, il suffit de sélectionner une courte durée de séchage supplémentaire ou de sélectionner une option extra-dry (ultra-sec) si elle est disponible.
	Grosses charges ou tissus plus lourds.	Les niveaux de séchage peuvent être modifiés en fonction de la finition de séchage souhaitée. Le niveau "Prêt à porter" est recommandé pour les affaires que vous souhaitez porter directement à la fin du cycle.
	Le cycle de séchage a été mis en pause et n'a pas été réactivé dans les 15 minutes, provoquant ainsi l'arrêt de la machine.	Le cycle de séchage doit être réinitialisé et relancé.
	Une panne de courant peut s'être produite, provoquant l'arrêt de la machine.	Le cycle de séchage doit être réinitialisé et relancé.
Voyants lumineux allumés ou clignotant		
Réservoir d'eau	Le réservoir d'eau est plein.	Vider le réservoir d'eau. Consulter la section Nettoyage et entretien.
Filtre de porte	Anomalie dans le flux d'air nécessaire pour le fonctionnement de la machine.	Nettoyer le filtre de porte et contrôler que la grille d'entrée d'air soit libre. Si ces opérations ne sont pas effectuées correctement, le sèche-linge peut subir des dommages. Consulter la section Nettoyage et entretien.
Filtre inférieur*	Le filtre inférieur a besoin d'être nettoyé.	Nettoyer le filtre inférieur. Consulter la section Nettoyage et entretien.
La présence du symbole de la clé anglaise indique une anomalie.	Les capteurs de la machine ont relevé une anomalie.	Éteindre le sèche-linge et le débrancher du réseau électrique. Ouvrir immédiatement la porte et extraire le linge, de façon à ce que la chaleur puisse se dissiper. Attendre 15 minutes. Rebrancher le sèche-linge au réseau électrique, charger le linge dans le tambour et lancer le cycle de séchage. Si le problème persiste, contacter le Service d'Assistance et communiquer les lettres et les numéros qui clignotent sur l'afficheur. Par exemple F3 et E2.

*Note : certains modèles sont autonettoyants; non munis de filtre inférieur. Consulter la section Nettoyage et entretien.

Vous trouverez les documents normatifs, la documentation standard, la commande de pièces de rechange et les informations supplémentaires sur le produit :

- En utilisant le QR Code dans votre appareil
- En visitant nos sites web docs.whirlpool.eu/docs et parts-selfservice.europeanappliances.com
- Vous pouvez également **contacter notre Service après-vente** (voir numéro de téléphone dans le livret de garantie). Lorsque vous contactez notre Service après-vente, veuillez indiquer les codes figurant sur la plaque signalétique de l'appareil.



Whirlpool

**DANK U WEL VOOR UW AANKOOP VAN EEN WHIRLPOOL PRODUCT**

Voor verdere assistentie kunt u het apparaat registreren op.
www.whirlpool.eu/register



Lees de veiligheidsinstructies aandachtig voordat u het apparaat gebruikt.



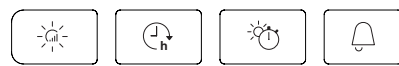
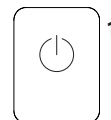
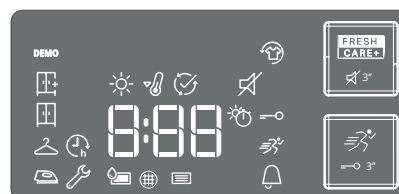
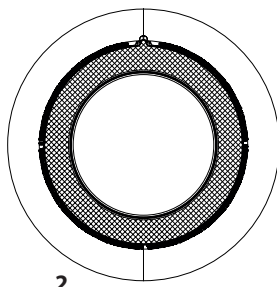
SCAN DE QR-CODE OP UW APPARAAT VOOR MEER GEDETAILLEERDE INFORMATIE.

BEDIENINGSPANEEL

- 1 On/Off (Resetten indien lang ingedrukt)
- 2 Programmaknop
- 3 Start/Pauze

Optietoetsen*

- 4 Droogniveau instellen
- 5 Uitgestelde start
- 6 Droging met tijdsfunctie
- 7 Einde programma
- 8 Snel drogen (Toetsenvergrendeling blokk indien lang ingedrukt)
- 9 FreshCare+ (Stil indien lang ingedrukt)



*Opmerking: op sommige modellen staat de volledige beschrijving in de plaats van de pictogrammen.

INDICATOREN

Droogniveau Instellen: Strijkdroog - Hangerdroog - Kastdroog - Extra droog

Cyclusfase: Drogen - Afkoelen - **END** Einde programma

Watertank Leegmaken - **Deurfilter Reinigen** - **Bodemfilter reinigen**

Lees het gedeelte problemen en oplossingen: **Defect:** Service opbellen

EERSTE GEBRUIK

Zorg ervoor dat het waterreservoir correct is geplaatst. Zorg ervoor dat de afvoerslang aan de achterkant van de droger correct is bevestigd, op het waterreservoir van de droger, of op uw huishoudelijk afvalwatersysteem.

De droger moet worden geïnstalleerd in een ruimte met een temperatuur tussen de 5°C en 35°C om een goede werking te garanderen.

De droger mag pas gebruikt worden als deze minimaal 6 uur in verticale stand gestaan heeft.

DAGELIJKS GEBRUIK

Met deze tips zal uw machine altijd OPTIMAAL werken:

- denk eraan om het watertank na elke droogcyclus te legen.

- denk eraan om uw filters na elke droogcyclus te reinigen.

Raadpleeg het hoofdstuk Verzorging en Onderhoud.

1. Steek de stekker van de droger aan in stopcontact.
2. Open de deur en stop de kledingstukken in de machine; raadpleeg altijd de instructies op kledingetiketten en de maximale ladingen in de programmasectie. Maak de zakken leeg. Zorg ervoor dat er geen wasgoed tussen de deur en/of het deurfilter blijft zitten. Stop geen druiptnatte kleding in de droger. Droog geen grote, volumineuze stukken. Voor een optimaal droogresultaat moeten de kledingstukken één voor één worden geladen.
3. Sluit de deur.
4. Druk op de "Aan-uit"-knop.
5. Selecteer het meest geschikte programma voor het type weefsel.
6. Selecteer indien nodig de opties.
7. Druk op de knop "Start/Pauze" om het droogprogramma te starten.
8. Aan het einde van de droogcyclus weerklinkt er een zoemer. Een indicator op het bedieningspaneel geeft het einde van de cyclus aan. Schakel de machine uit door op de "Aan/uit"-knop te drukken, open de deur en neem de kleding onmiddellijk uit de droger om kreuken in het wasgoed te voorkomen.

Als het apparaat niet handmatig wordt uitgeschakeld, schakelt de machine na ongeveer een kwartier na het einde van de cyclus automatisch uit om energie te besparen.

Sommige modellen voeren de laatste droogfase op lage temperatuur uit, zodat de stoffen niet heet aanvoelen.

Bij een stroomstoring moet u op de knop "Start/Pauze" drukken om de cyclus opnieuw te starten.

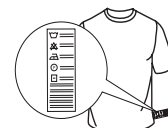
De deur openen tijdens de cyclus

De deur van de wasdroger kan op elk moment tijdens het programma worden geopend om de voortgang te controleren en om kledingstukken die al droog zijn uit de machine te halen. Het openen van de deur kan de droogtijd echter verlengen. Het is daarom raadzaam om de deur tijdens het hele programma gesloten te houden om tijd en energie te besparen. Druk na het sluiten van de deur binnen 15 minuten op de knop "Start/Pauze" om de werking van de machine te hervatten.

WASETIKETTEN

Controleer de wasetiketten, vooral als de kledingstukken voor het eerst in de wasdroger worden gedaan. Hieronder worden de meest voorkomende symbolen weergegeven:

- Mag in de wasdroger.
- Kan niet in de wasdroger worden gedroogd.
- Drogen bij hoge temperatuur.
- Drogen bij lage temperatuur.



PROGRAMMA'S

Hoe lang de programma's duren, hangt af van de hoeveelheid wasgoed, van het textieltype, het centrifuge-toerental van uw wasmachine en van de andere opties die u heeft geselecteerd. **Op de modellen met display ziet u op het bedieningspaneel hoe lang de cyclussen duren.** De resterende tijd wordt constant gecontroleerd en gewijzigd tijdens de droogcyclus om u een zo goed mogelijke schatting te geven.

Te gebruiken optie - Als al uw wasgoed op Automatische cycli steeds minder droog of droger is dan u zou willen, kunt u het droogniveau verhogen of verlagen met behulp van de daarvoor bedoelde optie.

Eco **kg Max***

Standaard katoenprogramma, geschikt voor drogen van normaal vochtig katoenen wasgoed. Meest efficiënte programma met betrekking tot energieverbruik voor het drogen van katoenen wasgoed. De waarden op het energielabel zijn gebaseerd op dit programma.

OPMERKING: Dit programma is standaard ingesteld op "Kastdroog" voor een efficiënt energieverbruik. Voor een hoger droogniveau raden wij aan het programma Katoen te gebruiken.

Katoen **kg Max***

Cyclus geschikt voor het drogen van alle soorten katoen, klaar om in de kast te leggen.

Gemengde was **kg 4**

Dit programma is ideaal om en synthetische weefsels samen te drogen.

Bedlinnen **kg Max***

Om katoenen lakens te drogen.

Dekbedden

Om groot wasgoed te drogen, zoals een donsdeken.

Overhemden **kg 3**

Dit is een programma voor overhemden van katoen of synthetische stof.

Jeans **kg 3**

Voor het drogen van stugge katoenen kledingstukken, zoals denim, broeken en jacks.

Makkelijk strijken

Deze cyclus ontspant de vezels, waardoor strijken en opvouwen gemakkelijker wordt. Geschikt voor een kleine lading vochtig of droog katoen en stoffen van een katoenmix. Niet gebruiken met kledingstukken die nog nat zijn.

Opfrissen

Kort programma om vezels van kledingstukken te verfrissen met frisse lucht. Niet voor wasgoed dat nog nat is. Dit programma kan voor elke hoeveelheid wasgoed worden gebruikt, maar is doeltreffender bij kleine hoeveelheden. De cyclus duurt ongeveer 20 minuten.

Snel 30' **kg 0.5**

Dit programma is ideaal om katoen te drogen dat op een hoog toerental is gecentrifugeerd in de wasmachine.

Sport **kg 4**

Voor het drogen van sportkleding van synthetische stoffen of katoen.

Zijde **kg 0.5**

Behoedzaam drogen van zijden kleding.

Wol **kg 1**

Om wol te drogen. Draai de kledingstukken binnenstebuiten voordat u ze laat drogen. Laat zware randen die nog vochtig zijn door de lucht drogen.

Fijne was **kg 2**

Voor het drogen van fijn wasgoed dat een zachte behandeling nodig heeft.

Synthetisch **kg 4**

Voor het drogen van wasgoed van synthetische stoffen.

***MAX. BELADING 9 Kg (Droge inhoud)**


OPTIES


Met deze knoppen kunt u de geselecteerde programma's aan uw persoonlijke wensen aanpassen.


Niet alle opties zijn voor elk programma's beschikbaar. Sommige opties zijn mogelijk niet compatibel met de opties die u hebt ingesteld. Indien dit het geval is, wordt u gewaarschuwd door de zoemer en/of knipperende indicatoren. Als de optie beschikbaar is, blijft de indicator van de optie branden. Het programma kan sommige opties behouden die in eerdere droogcycli zijn geselecteerd.

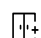
Droogniveau

druk meerdere malen de bijbehorende toets in om een ander restvochtniveau voor het wasgoed in te stellen. Een indicator signaleert het niveau dat u selecteert.

 **Strikdroog:** heel delicaat drogen. Stukken kunnen direct na de cyclus gemakkelijker gestreken worden.

 **Hangerdroog:** een niveau bestemd voor delicate kledingstukken, klaar om opgehangen te worden.

 **Kastdroog:** het wasgoed is klaar om te worden opgevouwen en in de kast te worden gelegd.

 **Extra droog:** kan worden gebruikt om kleding meteen aan te trekken na de cyclus.

Droging met tijdsfunctie

Met deze optie kiest u hoe lang het drogen duurt. Druk meerdere malen op de bijbehorende toets om de gewenste droogtijd in te stellen. Een indicator op het bedieningspaneel signaleert de tijd die u aan het instellen bent.

Uitgestelde start

Deze optie dient om het begin van de cyclus uit te stellen. Druk meerdere keren op de betreffende toets om het gewenste uitstel in tijd te vinden. Zodra de maximale tijd is bereikt, wordt de optie gereset door de knop opnieuw in te drukken. Een indicator op het bedieningspaneel geeft de geselecteerde tijd aan. Nadat op de toets "Start/Pauze" is gedrukt, geeft het display de resterende tijd tot het begin van de cyclus aan. Indien de deur geopend is, drukt u op de toets "Start/Pauze" zodra u de deur gesloten heeft.

Snel drogen

Maakt sneller drogen mogelijk.

FreshCare+

Als wasgoed in de trommel achterblijft nadat de cyclus is afgelopen, kan er bacterievorming optreden. Deze optie helpt dit te voorkomen door de temperatuur te regelen en de trommel voorzichtig te draaien. Dit gaat door tot 6 uur na het einde van de cyclus. Deze instelling blijft in het geheugen van de vorige cyclus opgeslagen. Als FreshCare+ samen met Uitgestelde start wordt gebruikt, wordt tijdens deze fase een kreukbehandeling uitgevoerd door de trommel regelmatig te draaien.

Toetsenvergrendeling blokk

Met deze toets sluit u alle bedieningen van het apparaat uit, behalve de Aan/Uit toets.

Met ingeschakeld apparaat:

- moet u, om deze optie te activeren, de toets ingedrukt houden totdat het apparaat signaleert dat de optie is ingeschakeld.
- moet u, om de optie uit te schakelen, de toets ingedrukt houden totdat het apparaat signaleert dat de optie is uitgeschakeld. Als deze optie tijdens een vorige droogcyclus werd geselecteerd, blijft deze in het geheugen.

Einde programma

Deze optie schakelt een langdurig akoestisch signaal in aan het einde van de cyclus. Schakel deze optie in als u denkt dat u het normale eindsignaal niet hoort. Als deze optie tijdens een vorige droogcyclus werd geselecteerd, blijft deze in het geheugen.


Stil

Met deze optie schakelt u de akoestische signalen van het bedieningspaneel uit. De alarmmeldingen in geval van storingen blijven werken:

- om deze optie in te schakelen, houdt u de toets ingedrukt totdat de bijbehorende indicator begint te branden.
- om de optie uit te schakelen, houdt u de toets ingedrukt houden totdat de bijbehorende indicator uit gaat.

SCHOONMAAK EN ONDERHOUD

WAARSCHUWING: haal de stekker van de droger uit het stopcontact tijdens reiniging en onderhoud.

 **Het waterreservoir leegmaken na elke cyclus (zie afbeelding A).**

Haal het reservoir uit de droogautomaat en maak het leeg in een wasbak of een andere geschikte afvoerplaats en zet het reservoir weer goed in de automaat. Neem de droogautomaat niet in gebruik zonder eerst het reservoir in zijn zitting te hebben geplaatst.

Het reinigen van de filters

Haal de filters eruit en verwijder de pluusjes van het filteroppervlak met uw hand, een doek of een stofzuiger, en plaats ze daarna terug. De pluus in de vuilnisbak moet worden gegooid en niet door de afvoer mag worden gespoeld om te voorkomen dat microplastics in het afvalwatersysteem terecht komen.

Neem de droogautomaat niet in gebruik zonder eerst het filter in zijn zitting te hebben geplaatst.

 **Het deurfilter reinigen na elke cyclus (zie afbeelding B).**

Het deurfilter verwijderen:

1. Het deurtje openen en het filter naar boven eruit trekken.
2. Open het filter en verwijder zorgvuldig al de pluusjes uit alle filterdelen. Zet het filter weer goed op zijn plaats. Zorg ervoor dat het filter niet voorbij de pakking op de droogautomaat steekt.

 **Het bodemfilter reinigen als de bijbehorende indicator gaat branden (zie afbeelding C).**

OPMERKING: wij raden hoe dan ook aan om dit filter te reinigen na elke cyclus om de droogprestaties te optimaliseren.

Het bodemfilter verwijderen:

- C1. Open de bodemklep; pak het handvat en trek het filter eruit.
- C2. De onderkant van het filter openen en eventueel pluus op het deel met gaatjes verwijderen.
- C3/C4. Controleer de bodemfilterkamer elke maand. Als u ziet dat zich pluus heeft opgehoopt op de metalen vinnen, reinigt u deze met een stofzuiger met borstelmondstuk.

Beweeg het mondstuk daarbij in verticale richting, bewegingen in horizontale richting kunnen het onderdeel beschadigen. Raak de vinnen niet met de hand aan - gevaar voor snijwonden.

- C5. Sluit de achterkant van het filter en plaats het terug. Controleer of het goed op zijn plaats zit en zet de hendel van het filter omlaag.

- C6. Bodemklep sluiten.

Controleren of het luchtrooster vrij is.

De filters zijn fundamentele componenten van het droogproces. Ze vangen het pluus op dat zich tijdens het drogen vormt. Als de filters verstopt raken, komt de luchtstroom in de droogautomaat ernstig in gevaar: het

droogproces duurt langer en verbruikt meer energie en de droogautomaat kan beschadigd raken. Als u deze handelingen niet goed uitvoert, kan het zijn dat de droogautomaat niet inschakelt.

OPMERKING: na het reinigen van de filters blijft het betreffende lampje branden; dit is normaal, het lampje gaat uit zodra u een nieuw droogprogramma start.



De droger reinigen

- De externe metaal, plastic en rubberen onderdelen kunnen met een vochtige doek worden gereinigd.
- Reinig het voorste luchtinlaatrooster regelmatig (om de 6 maanden) met een stofzuiger om pluizen of stofafzettingen te verwijderen. Verwijder bovendien eventuele pluusafzettingen uit het filtergebied door af en toe een stofzuiger te gebruiken.
- Gebruik geen oplosmiddelen of schuurmiddelen.

TRANSPORT EN BEHANDELING

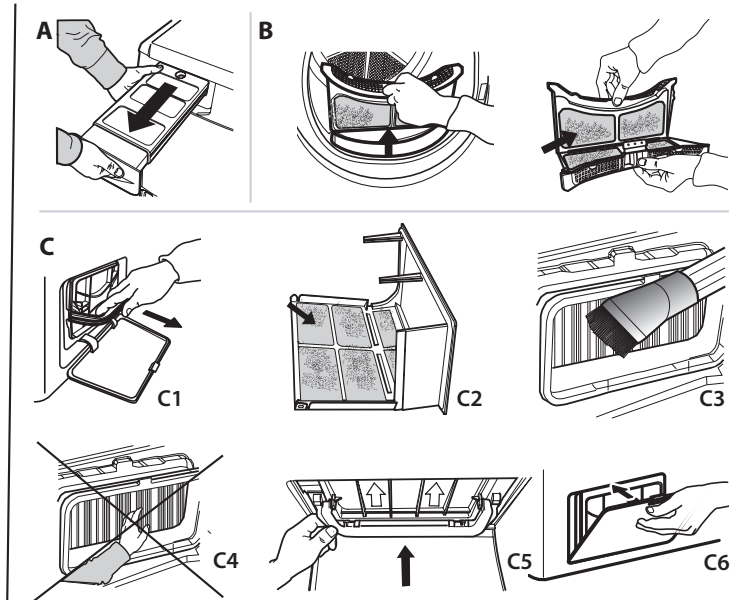
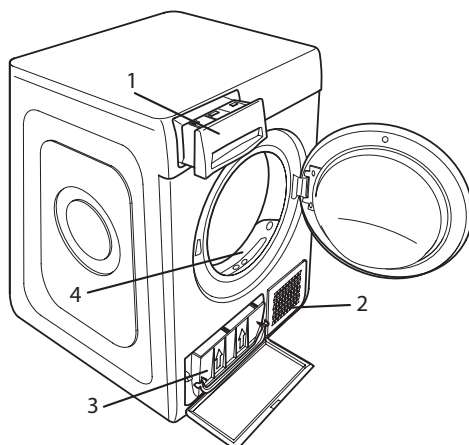
Til de droger nooit op aan de bovenkant.

1. Haal de stekker van de droger uit het stopcontact.
2. Maak het watertank helemaal leeg.
3. Controleer of de deur en het watertank goed dicht zit.
4. Als de afvoerslang is aangesloten op uw afvalwatersysteem de afvoerslang opnieuw aan de achterzijde van de wasdroger bevestigen (zie Installatiegids).

Stroomverbruik			
Off modus (Po) - Watts			0.42
modus aan (PI)- Watts			2.00
Programmas	Kg	kWh	Minuten
Eco* 	9	2.16	211
Eco 	4.5	1.17	131
Synthetisch	4	0.73	95
* Referentieprogramma voor het energielabe, dat dit geschikt is voor het drogen van normaal vochtig katoenen wasgoed en dat dit qua energieverbruik het meest efficiënte programma is voor het drogen van vochtig katoenen wasgoed. (Standaard configuratie/ vastgesteld aan het begin).			

PRODUCTBESCHRIJVING

1. Waterreservoir
2. Luchtrooster
3. Bodemfilter
4. Deurfilter



Controleer onderstaande tabel voor problemen, voordat u de Servicedienst opbelt. Storingen zijn meestal van onbelangrijke aard en kunnen in enkele minuten worden opgelost.

Probleem	Mogelijke oorzaak	Oplossing
Heel lange droogtijden.	Onvoldoende onderhoud uitgevoerd.	Lees het gedeelte Schoonmaak en Onderhoud en voer de beschreven handelingen uit.
	Wasgoed is te nat.	Laat de wasmachine centrifugeren op een hoger toerental om zoveel mogelijk water te elimineren.
	Kamertemperatuur.	De droogtijd kan langer zijn als de kamertemperatuur buiten het bereik van 14–30°C ligt.
	Ingesteld programma, tijd en/of droogniveau niet geschikt voor het type of de hoeveelheid wasgoed in de droogautomaat.	Lees het gedeelte Programma's en Opties om programma en opties te kiezen die geschikt zijn voor het wasgoed.
	Er kan te veel wasgoed in de droogautomaat zitten.	Lees het gedeelte Programma's om de maximum belading voor elk programma te controleren.
De wasdroger gaat niet aan.	Druk op de toets Aan/Uit is niet ingedrukt.	Druk op de toets Aan/Uit.
	De stekker zit niet in het stopcontact.	Steek de stekker in het stopcontact.
	Het stopcontact is defect.	Probeer of de stekker in een ander stopcontact wel werkt. Steek geen elektrische adapters of verlengsnoeren in de stekker.
	Er is een stroomonderbreking geweest.	Wacht tot de stroomvoorziening is hersteld en schakel zo nodig de zekering weer in.
Het droogprogramma start niet.	De deur is niet goed gesloten.	Sluit de deur.
	Er is een uitgestelde start ingesteld.	Voor apparaten met deze functie wacht u totdat de ingestelde tijd is verstreken of zet u het apparaat uit om het te resetten. Raadpleeg het gedeelte Opties.
	De toets Start/Pauze om het programma te starten is niet ingedrukt.	Druk op de toets Start/Pauze.
	Voor apparaten met toetsenvergrendeling, is deze optie geselecteerd.	Raadpleeg de sectie Opties. Schakel de toetsenblokkering uit indien deze geselecteerd was. De machine uitschakelen schakelt deze optie niet uit.
De kledingstukken zijn nat aan het einde van de cyclus.	Kleine lading.	Het automatische programma heeft niet het uiteindelijke vochtgehalte waargenomen; de droger voltooit het programma en stopt. Als dit gebeurt, kiest u nog een korte droogperiode of kiest u de optie 'extra droog', indien beschikbaar.
	Grote ladingen of zware stoffen.	Het droogniveau kan worden aangepast zodat het gewenste niveau wordt bereikt. Extra droog wordt aanbevolen voor kledingstukken die klaar zijn om te dragen.
	Het droogprogramma is gepauzeerd en vervolgens niet binnen 15 minuten gestart, zodat de machine is uitgeschakeld.	Stel het droogprogramma opnieuw in en start de machine.
	Er kan een stroomstoring zijn opgetreden, waardoor de machine is uitgeschakeld.	Stel het droogprogramma opnieuw in en start de machine.

Indicatoren branden of knipperen

Watertank	Het watertank is vol.	Watertank leegmaken. Lees het gedeelte Schoonmaak en Onderhoud.
Deurfilter	De luchtstroom om het toestel te laten werken, volstaat niet.	Reinig het deurfilter en controleer of het luchtrooster vrij is. Als u dit niet naar behoren doet, kan de wasdroger beschadigd raken. Lees het gedeelte Schoonmaak en Onderhoud.
Bodemfilter*	Het bodemfilter moet worden gereinigd.	Reinig het bodemfilter. Lees het gedeelte Schoonmaak en Onderhoud.
Het symbool van de moersleutel signaleert een storing.	De sensoren van het apparaat hebben een storing gevonden.	Schakel de droogautomaat uit en trek de stekker uit het stopcontact. Open onmiddellijk de deur en haal het wasgoed eruit om het apparaat af te laten koelen. Wacht ongeveer 15 minuten. Steek de stekker weer in het stopcontact, vul de trommel en start de droogcyclus opnieuw. Als het probleem niet verdwijnt, neemt u contact op met de Technische Service en vermeldt u de letters en cijfers die op het display verschijnen. Bijvoorbeeld F3 en E2.

*Opmerking: sommige modellen reinigen zichzelf en hebben geen bodemfilter: raadpleeg het gedeelte Schoonmaak en Onderhoud.

De bedrijfsregels, standaarddocumentatie, bestellen van onderdelen en aanvullende productinformatie kunt u vinden door:

- De QR-code in uw apparaat gebruiken
- Bezoek onze website docs.whirlpool.eu/docs en parts-selfservice.europeanappliances.com
- Anders, **contacteer onze Klantenservice** (Het telefoonnummer staat in het garantieboekje). Wanneer u contact neemt met de Klantenservice, gelieve de codes te vermelden die op het identificatieplaatje van het apparaat staan.

