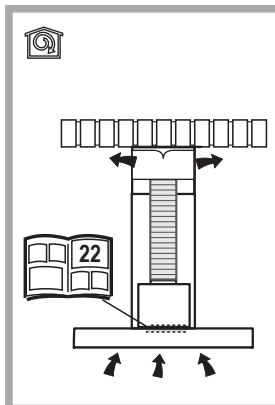
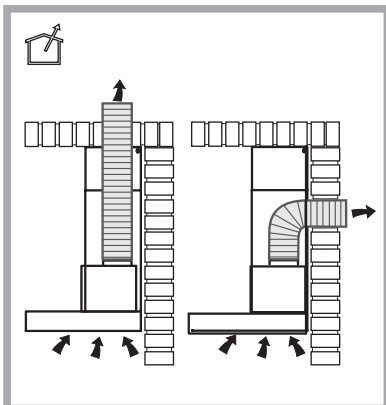
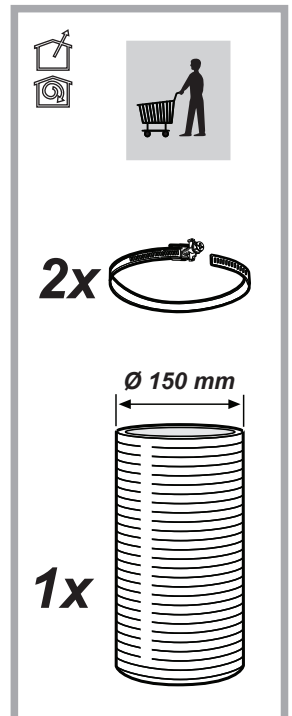
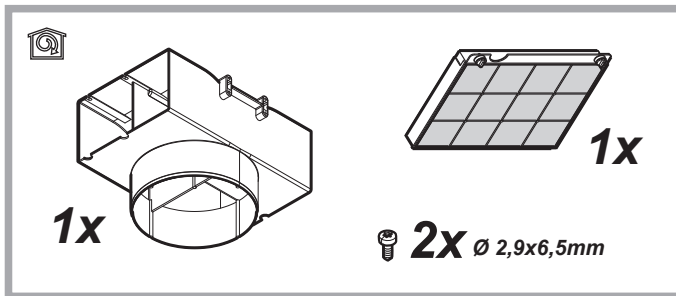
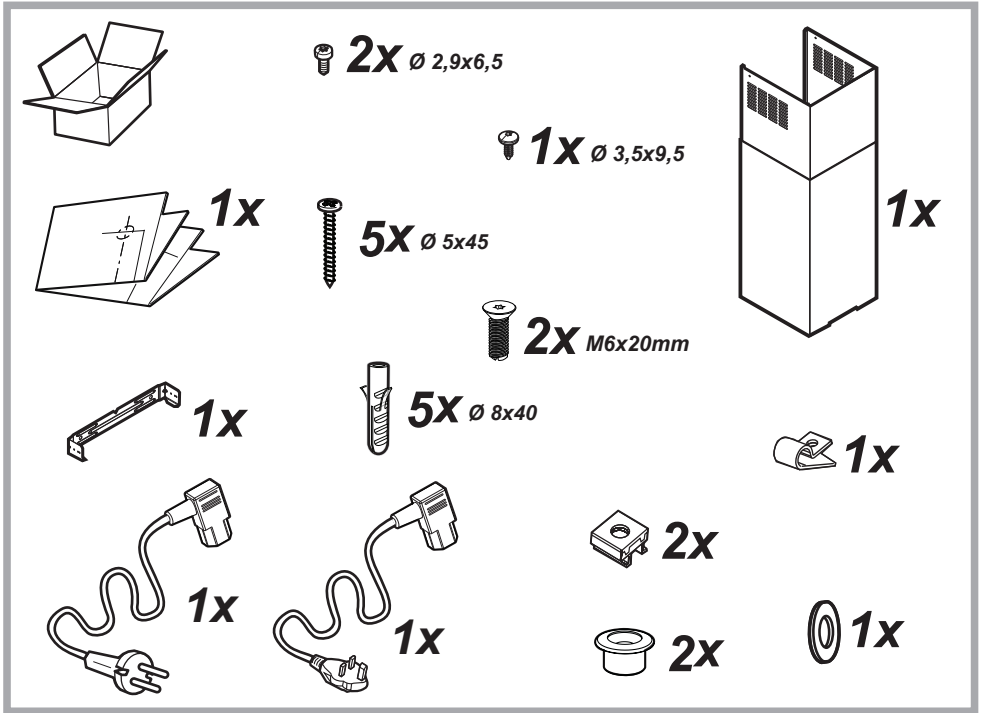
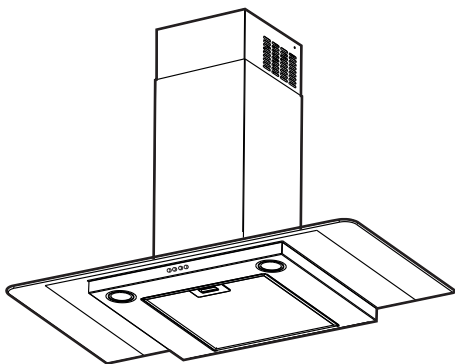
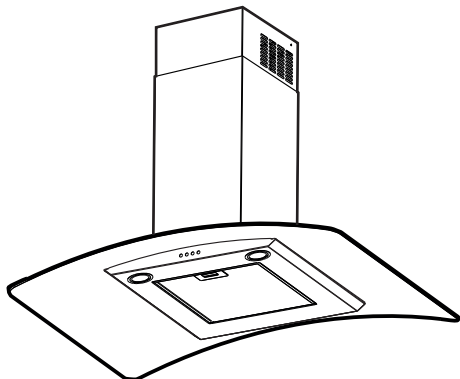
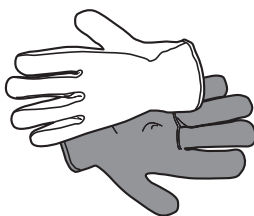
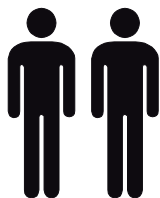
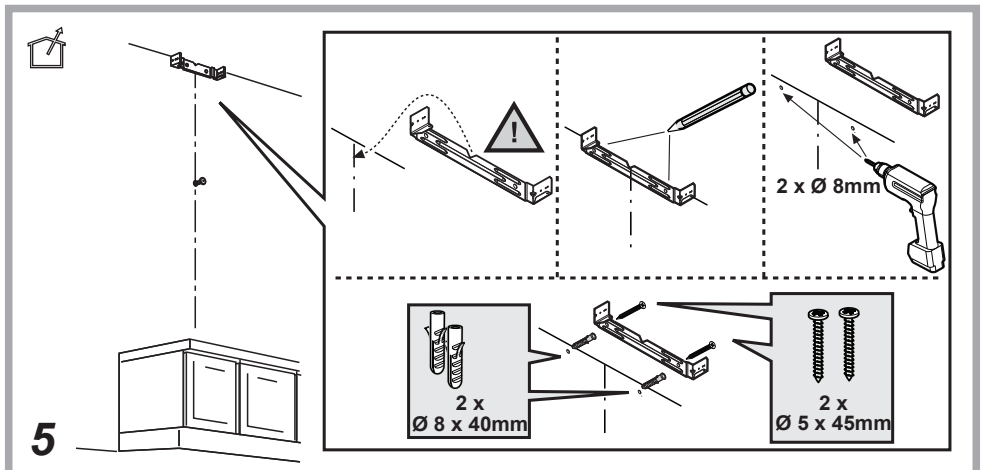
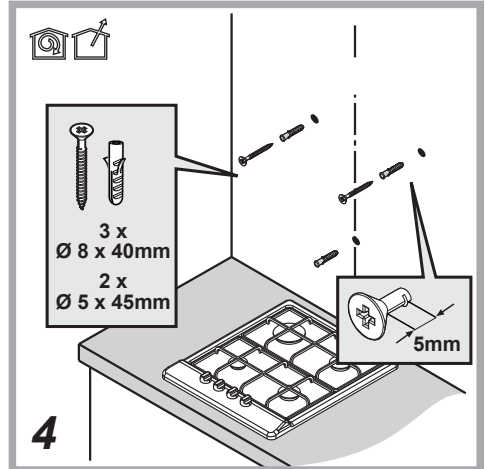
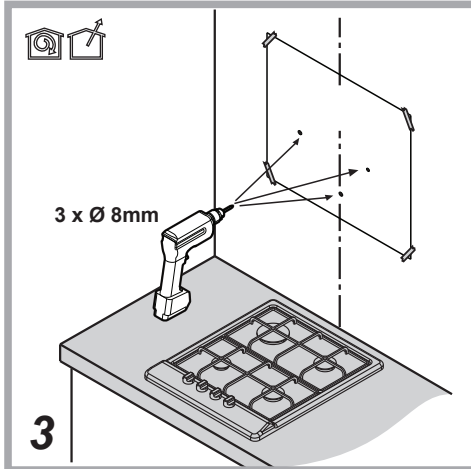
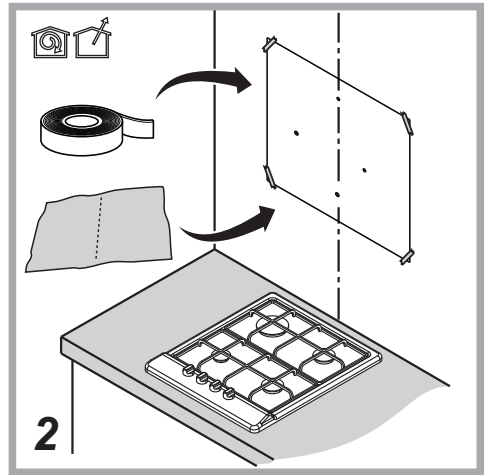
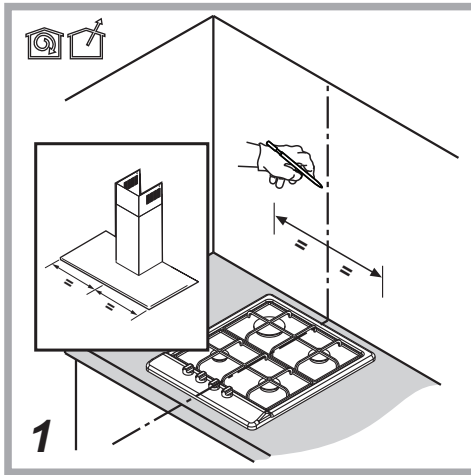


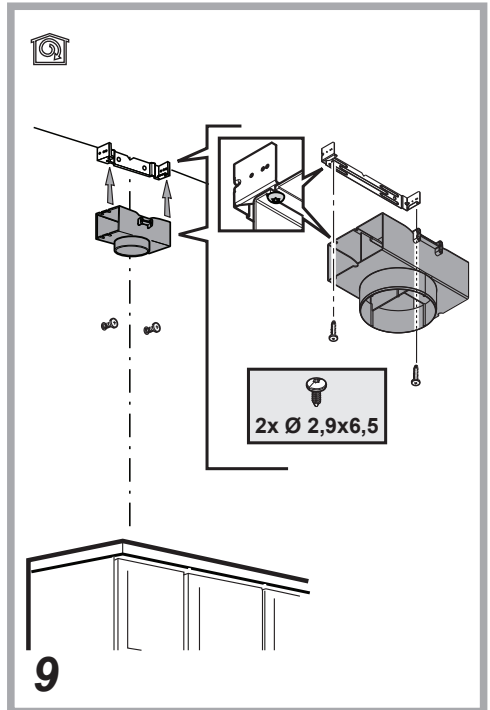
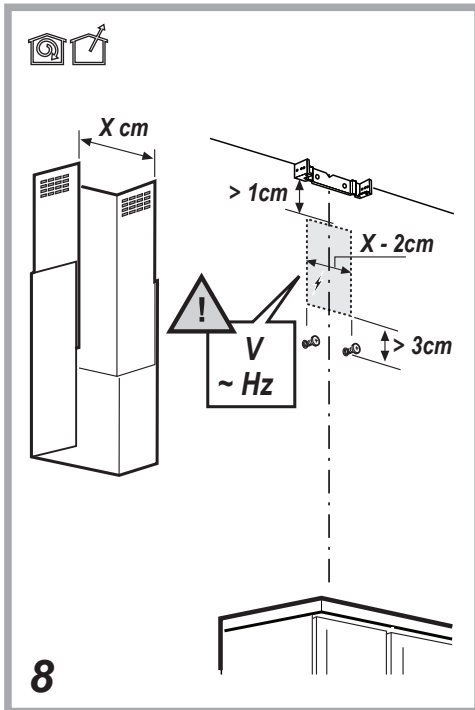
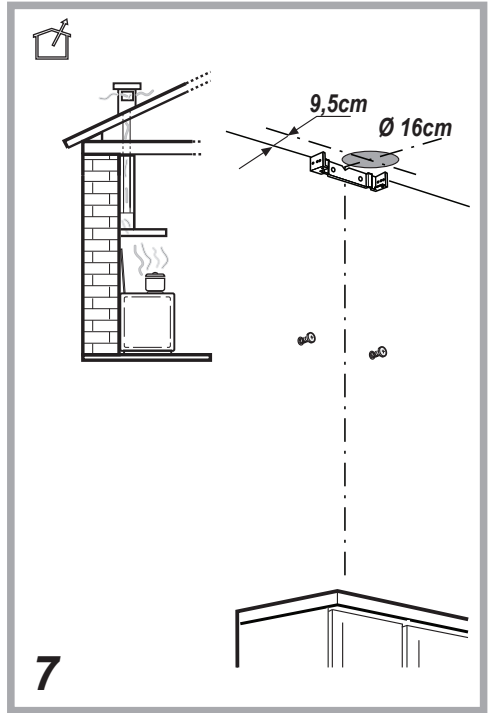
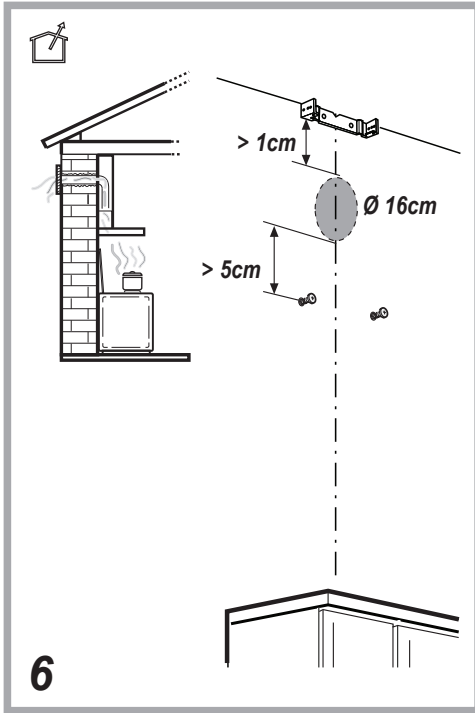
**EN Instructions for use**  
**DE Betriebsanleitung**  
**FR Mode d'emploi**  
**NL Gebruiksaanwijzingen**  
**IT Istruzioni per l'uso**  
**ES Instrucciones de uso**  
**PT Instruções de uso**  
**DA Brugsanvisning**  
**FI Käyttöohje**  
**NO Brugsanvisning**  
**SV Bruksanvisning**

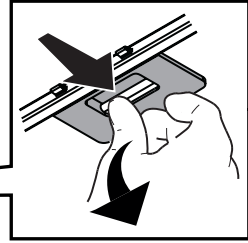
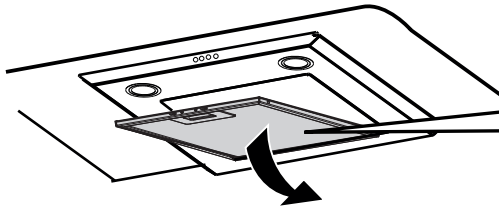
**Whirlpool**



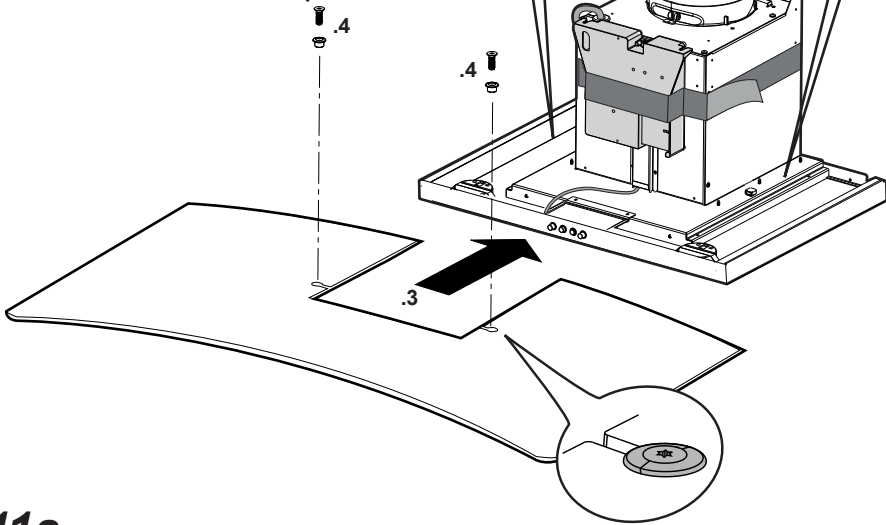
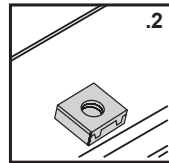
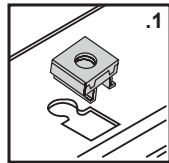
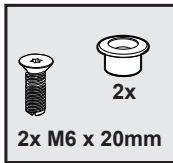




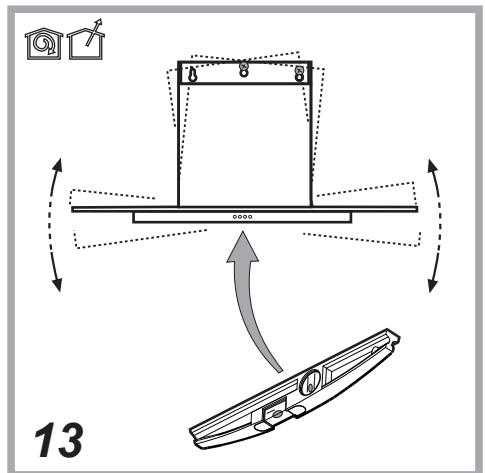
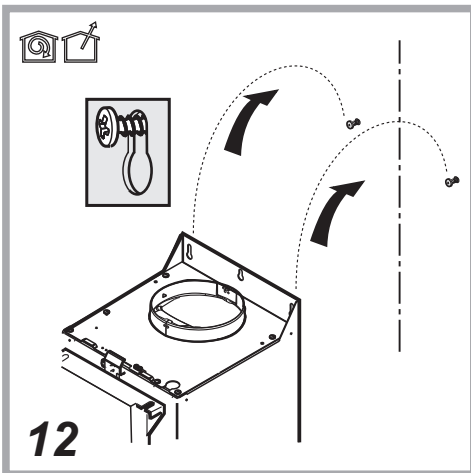
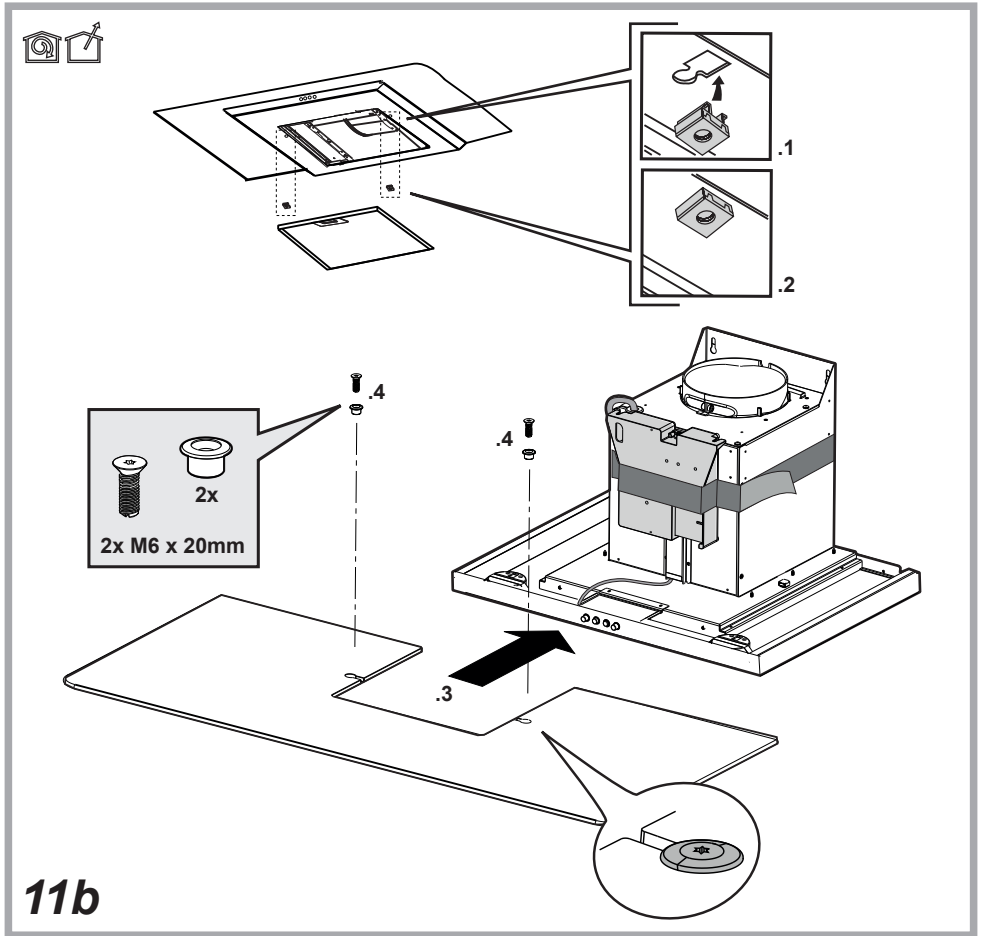


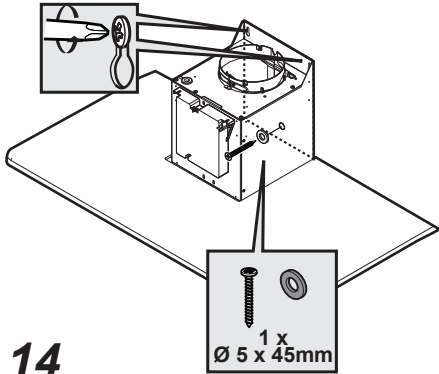


10



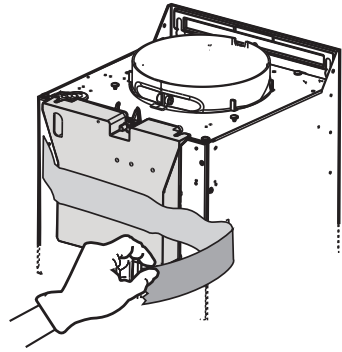
11a



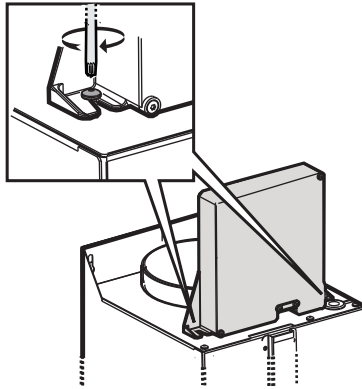


14

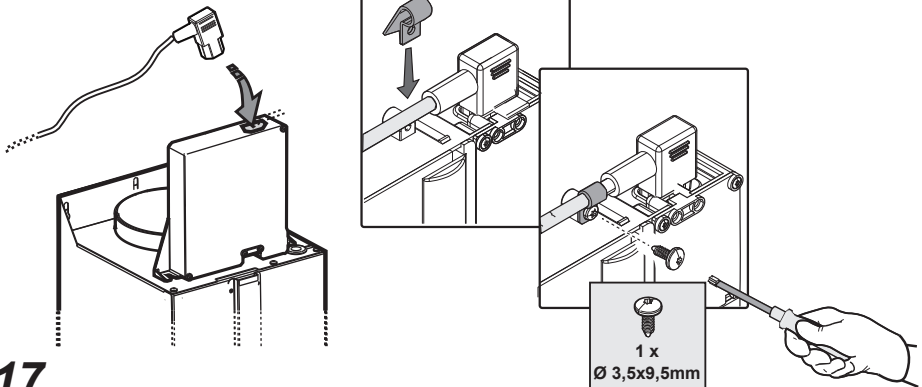
1 x  
Ø 5 x 45mm



15



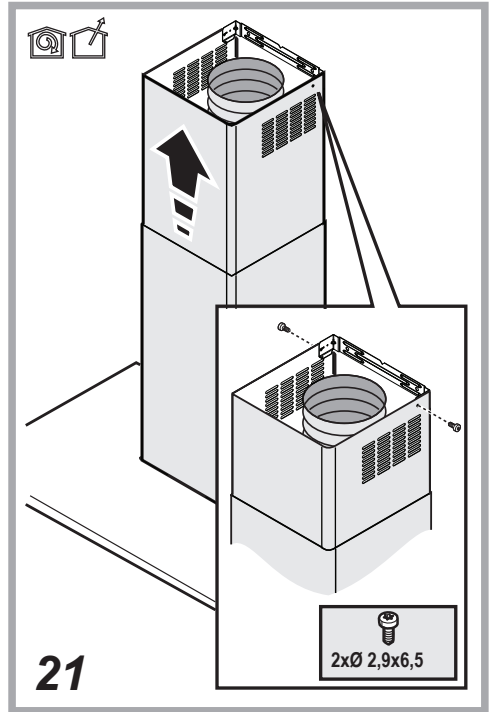
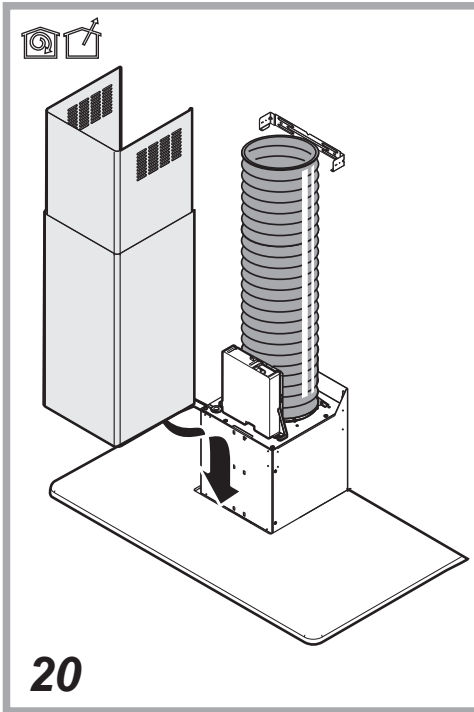
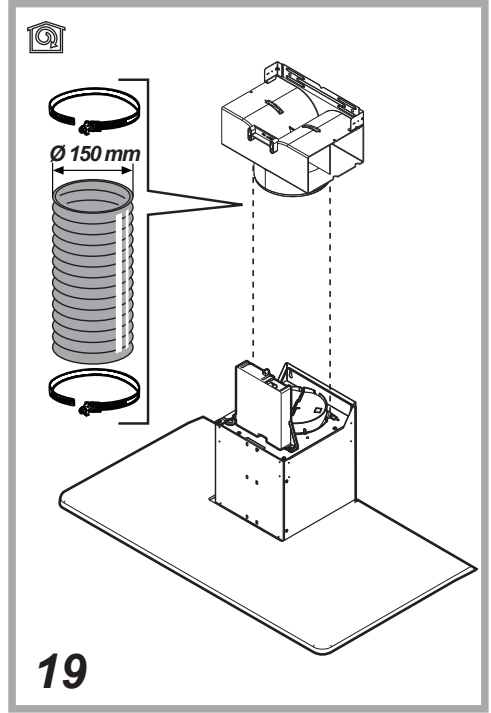
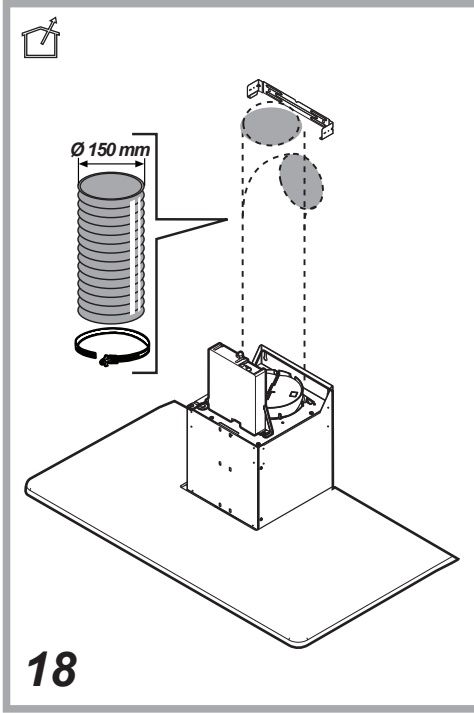
16

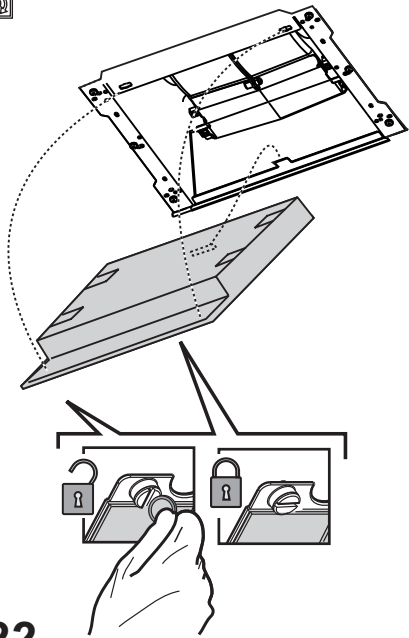


17

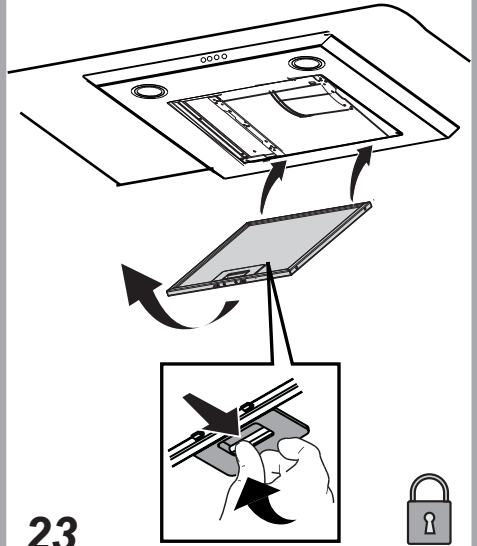
1 x  
Ø 3,5x9,5mm







22



23



## GENERAL SAFETY

- Before any cleaning or maintenance operation, disconnect hood from the mains by removing the plug or disconnecting the mains electrical supply.
- Always wear work gloves for all installation and maintenance operations.
- This appliance can be used by children aged from 8 years and above and persons with reduced physical, sensory or mental capabilities or lack of experience and knowledge if they have been given supervision or instruction concerning use of the appliance in a safe way and understand the hazards involved.
- Children shall not be allowed to tamper with the controls or play with the appliance.
- Cleaning and user maintenance shall not be made by children without supervision.
- The premises where the appliance is installed must be sufficiently ventilated, when the kitchen hood is used together with other gas combustion devices or other fuels.
- The hood must be regularly cleaned on both the inside and outside (AT LEAST ONCE A MONTH).
- This must be completed in accordance with the maintenance instructions provided. Failure to follow the instructions provided regarding the cleaning of the hood and filters will lead to the risk of fires.
- Do not flambé under the range hood.
- Do not remove filters during cooking.
- For lamp replacement use only lamp type indicated in the Maintenance/Replacing lamps section of this manual.

The use of exposed flames is detrimental to the filters and may cause a fire risk, and must therefore be avoided in all circumstances.

Any frying must be done with care in order to make sure that the oil does not overheat and ignite.

**CAUTION:** Accessible parts of the hood may become hot when used with cooking appliances.

- Do not connect the appliance to the mains until the installation is fully complete.
- With regards to the technical and safety measures to be adopted for fume discharging it is important to closely follow the regulations provided by the local authorities.
- The air must not be discharged into a flue that is used for exhausting fumes from appliance burning gas or other fuels.
- Do not use or leave the hood without the lamp correctly mounted due to the possible risk of electric shocks.
- Never use the hood without effectively mounted grids.
- The hood must NEVER be used as a support surface unless specifically indicated.
- Use only the fixing screws supplied with the product for installation or, if not supplied, purchase the correct screws type.
- Use the correct length for the screws which are identified in the Installation Guide.
- In case of doubt, consult an authorized service assistance center or similar qualified person.

## **▲ WARNING!**

- Failure to install the screws or fixing device in accordance with these instructions may result in electrical hazards.
- Do not use with a programmer, timer, separate remote control system or any other device that switches on automatically.

Very young children(0-3years)should be kept away from the appliance.Young children (3-8 years)should be kept away from the appliance unless continuously supervised.

**▲ CAUTION:**The appliance is not intended to be operated by means of an external switching device, such as a timer,or separate remote controlled system.

**▲** This appliance is not for professional use. Do not use the appliance outdoors.

**▲** The appliance must be handled and installed by two or more persons-risk of injury.

**▲** Installation, including water supply (if any),electrical connections and repairs must be carried out by a qualified technician. Once installed,packaging waste (plastic,styrofoam parts etc.) must be stored out of reach of children – risk of suffocation.

Do not use the appliance when you are wet or barefoot.  
Never use steam cleaning equipment – risk of electric shock.



The packaging material is 100% recyclable and is marked with the recycle symbol

**The hood can look different to that illustrated in the drawings in this booklet. The instructions for use, maintenance and installation, however, remain the same.**

**Closely follow the instructions set out in this manual.** All responsibility, for any eventual inconveniences, damages or fires caused by not complying with the instructions in this manual, is declined. This appliance is intended to be used in household and similar application such as: - staff kitchen areas in shop, offices and other working environments; - farm houses; - by clients in hotels, motels and other residential type environments; - bed and breakfast type environments.

- It is important to conserve this booklet for consultation at any moment. In the case of sale, cession or move, make sure it is together with the product.
- Read the instructions carefully: there is important information about installation, use and safety.
- Do not carry out electrical or mechanical variations on the product or on the discharge conduits.
- Before proceeding with the installation of the appliance verify that there are no damaged all components. Otherwise contact your dealer and do not proceed with the installation.

The minimum distance between the supporting surface for the cooking equipment on the hob and the lowest part of the range hood must be not less than 50cm from electric cookers and 65cm from gas or mixed cookers.

**If the instructions for installation for the gas hob specify a greater distance, this must be adhered to.**

## **ELECTRICAL CONNECTION**

The mains power supply must correspond to the rating indicated on the plate situated inside the hood. If provided with a plug connect the hood to a socket in compliance with current regulations and positioned in an accessible area, after installation. If it not fitted with a plug (direct mains connection) or if the plug is not located in an accessible area, after installation, apply a double pole switch in accordance with standards which assures the complete disconnection of the mains under conditions relating to over-current category III, in accordance with installation instructions.

## **▲ WARNING!**

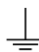
Before re-connecting the hood circuit to the mains supply and checking the efficient function, always check that the mains cable is correctly assembled.

If the cable is not fitted with a plug, connect the wires according to the following table:

### **Mains voltage and frequency**

Refer to the rating indicated on the plate inside of the hood

### **Wire connection**

 : yellow/green  
N : blue  
L : brown

## **Replacing the power cable**

The hood is provided with a special power cable ; if the cable is damaged, request a new one from Technical Service.

## AIR VENT

(for the suction versions)

Connect the hood and discharge holes on the walls with a diameter equivalent to the air outlet (connection flange).

Using the tubes and discharge holes on walls with smaller dimensions will cause a diminution of the suction performance and a drastic increase in noise.

Any responsibility in the matter is therefore declined.

! Use a duct of the minimum indispensable length.

! Use a duct with as few elbows as possible (maximum elbow angle: 90°).

! Avoid drastic changes in the duct cross-section.

! The company declines any responsibility whenever these regulations are not respected.

## FILTERING OR DUCTING ?

! Your cooker hood is ready to be used in suction version.

To use the hood in filtering version the special ACCESSORY KIT must be installed.

Check on the first pages of this manual if the ACCESSORY KIT is furnished or must be bought separately.

**Note:** If furnished, in certain cases, the additional activated carbon filtering system may be installed on the hood.

Information about the conversion of the hood from suction version to filtering version is present in this manual.

## Ducting version

In this case the fumes are conveyed outside of the building by means of a special pipe connected with the connection ring located on top of the hood.

### CAUTION!

The exhausting pipe is not supplied and must be purchased apart.

Diameter of the exhausting pipe must be equal to that of the connection ring.

### CAUTION!

If the hood is supplied with active charcoal filter, then it must be removed.

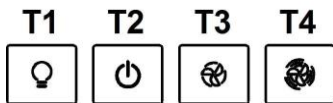
## Filter version

The aspirated air will be degreased and deodorised before being fed back into the room.

In order to use the hood in this version, you have to install a system of additional filtering based on activated charcoal.

## CONTROLS

The hood is fitted with a control panel with aspiration speed selection control and a light switch to control cooking area lights.



T1. ON/OFF light switch

T2. Speed 1/OFF switch

T3. 2-speed selection

T4. 3-speed selection

# MAINTENANCE

## Cleaning

Clean using **ONLY** a cloth dampened with neutral liquid detergent. **DO NOT CLEAN WITH TOOLS OR INSTRUMENTS.** Do not use abrasive products. **DO NOT USE ALCOHOL!**

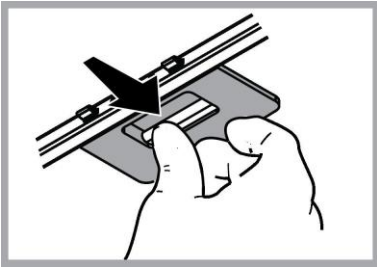
## Maintenance of the anti-grease filters

### Traps cooking grease particles.

This must be cleaned once a month (or when the filter saturation indication system – if envisaged on the model in possession – indicates this necessity) using non aggressive detergents, either by hand or in the dishwasher, which must be set to a low temperature and a short cycle.

When washed in a dishwasher, the grease filter may discolor slightly, but this does not affect its filtering capacity.

To remove the grease filter, pull the spring release handle.



## Maintenance of the charcoal filter

### It absorbs unpleasant odors caused by cooking.

The saturation of the charcoal filter occurs after more or less prolonged use, depending on the type of cooking and the regularity of cleaning of the grease filter.

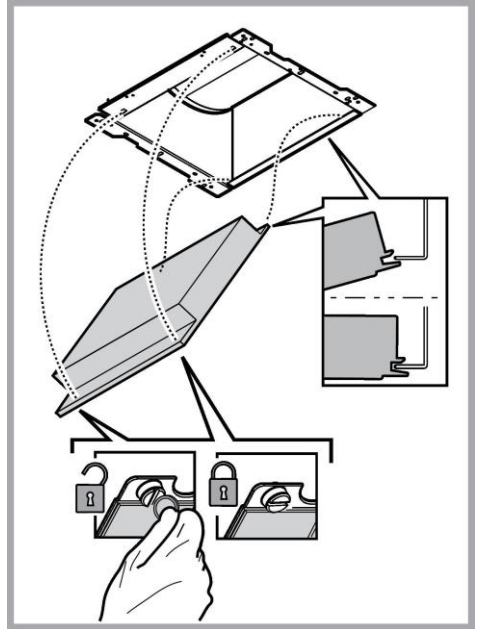
In any case it is necessary to replace the cartridge at least every four months (or when the filter saturation indication system – if envisaged on the model in possession – indicates this necessity). The charcoal filter may NOT be washed or regenerated.

### Assembly

Hook the charcoal filter at the back on the metal tongue of the hood first, then on the front with the two knobs.

### Disassembly

Remove the charcoal filter by turning the knobs fixing it to the hood by 90°.



## Replacing lamps

The hood is equipped with a lighting system based on LED technology.


The LEDs guarantee an optimum lighting, a duration up to 10 times longer than the traditional lamps and allow to save 90% electrical energy.

For replacement, contact the technical service.

## DISPOSAL

- This appliance is marked according to the European directive 2012/19/EC on Waste Electrical and Electronic Equipment (WEEE).
- By ensuring this product is disposed of correctly, you will help prevent potential negative consequences for the environment and human health, which could otherwise be caused by inappropriate waste handling of this product.



- The symbol  on the product, or on the documents accompanying the product, indicates that this appliance may not be treated as household waste. Instead it should be taken to the appropriate collection point for the recycling of electrical and electronic equipment. Disposal must be carried out in accordance with local environmental regulations for waste disposal.
- For further detailed information regarding the process, collection and recycling of this product, please contact the appropriate department of your local authorities or the local department for household waste or the shop where you purchased this product.

Appliance designed, tested and manufactured according to:

- Safety: EN/IEC 60335-1; EN/IEC 60335-2-31, EN/IEC 62233.
- Performance: EN/IEC 61591; ISO 5167-1; ISO 5167-3; ISO 5168; EN/IEC 60704-1; EN/IEC 60704-2-13; EN/IEC 60704-3; ISO 3741; EN 50564; IEC 62301.
- EMC: EN 55014-1; CISPR 14-1; EN 55014-2; CISPR 14-2; EN/IEC 61000-3-2; EN/IEC 61000-3-3. Suggestions for a correct use in order to reduce the environmental impact: Switch ON the hood at minimum speed when you start cooking and kept it running for few minutes after cooking is finished. Increase the speed only in case of large amount of smoke and vapor and use boost speed(s) only in extreme situations. Replace the charcoal filter(s) when necessary to maintain a good odor reduction efficiency. Clean the grease filter(s) when necessary to maintain a good grease filter efficiency. Use the maximum diameter of the ducting system indicated in this manual to optimize efficiency and minimize noise.

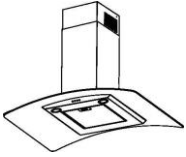
## MALFUNCTIONS



If something appears not to be working properly, do the following simple checks before calling Technical Service:

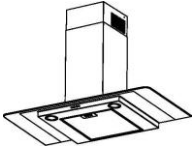
- If the hood is not working:  
Check that:
  - The power has not been disconnected.
  - A speed has been selected.
- If the hood performs inefficiently:  
Check that:
  - The motor speed selected is sufficient for the amount of smoke and vapours released.
  - The kitchen is sufficiently ventilated to allow air intake.
  - The charcoal filter is not worn (hood in filtering version).
- If the hood has turned off during normal functioning:  
Check that:
  - The power has not been disconnected.
  - the omnipolar disconnection device has not tripped.



If the hood fails to operate correctly, briefly disconnect it from the mains power supply for almost 5 sec. Then connect it in again and try once more before contacting the Technical Assistance Service.

# TECHNICAL DATA



Height (cm)	Width (cm)	Depth (cm)	Ø of exhaust tube (cm)
 60 - 113	89,8 - 69,8 - 59,8	45	15
 69 - 113			



Height (cm)	Width (cm)	Depth (cm)	Ø of exhaust tube (cm)
 60 - 113	89,8 - 69,8 - 59,8	45	15
 69 - 113			

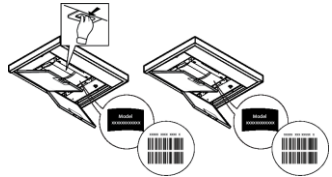


Components not provided with the product



You can download the **Safety Instructions, User Manual, Product Fiche and Energy data** by:

- Visiting our website [docs.whirlpool.eu](https://docs.whirlpool.eu)
- Using QR Code
- Alternatively, **contact our After-sales Service** (See phone number in the warranty booklet). When contacting our After-sales Service, please state the codes provided on your product's identification plate.





## ALLGEMEINE SICHERHEIT

- Vor jeglicher Reinigung bzw. Wartung muss das Gerät vom Stromnetz getrennt werden, indem man den Stecker herauszieht bzw. den Hauptschalter ausschaltet.
- Alle Installations- und Wartungsarbeiten sind mit Arbeitshandschuhen durchzuführen.
- Das Gerät kann von Kindern ab 8 Jahren, sowie von Menschen mit verringerten physischen, sinnlichen oder psychischen Fähigkeiten (oder ohne Erfahrung und Kenntnisse) benutzt werden, sofern sie entsprechend überwacht werden bzw. in die Benutzung des Geräts sicher eingewiesen wurden und sich der damit verbundenen Gefahren bewusst sind.

• Darauf achten, dass Kinder mit dem Gerät nicht spielen. Kinder dürfen bei Reinigung und Wartung nur dann helfen, wenn sie dabei beaufsichtigt werden.

• Der Raum muss ausreichend belüftet sein, wenn die Dunstabzugshaube zusammen mit anderen Gas- bzw. Brennstoffgeräten verwendet wird.

• Die Dunstabzugshaube muss regelmäßig von innen und außen gereinigt werden (MINDESTENS EINMAL IM MONAT), außerdem sollten die Anweisungen zur Wartung befolgt werden. Das nicht befolgen der Normen zur Reinigung der Dunstabzugshaube, das nicht befolgen der Hinweise zur Reinigung und zum Austausch von Filtern führt zu Brandgefahr.

• Es ist streng verboten, Speisen auf Kochstellen mit offener Flamme unter der Dunstabzugshaube zu kochen.

• Für den Lampenersatz verwenden Sie nur den Lampentyp, der in dem Absatz Lampenwartung / Ersatz des vorliegenden Handbuchs angegeben wird.

Die Verwendung von offener Flamme schadet den Filtern und kann zu Brandgefahr führen, daher ist sie in jedem Fall zu vermeiden.

Das Frittieren muss mit Vorsicht durchgeführt werden, um zu vermeiden, dass das überhitzte Öl Feuer fängt.

**ACHTUNG:** Ist das Kochfeld in Betrieb, können zugängliche Teile der Dunstabzugshaube heiß werden.

• Das Gerät nicht an das Stromnetz anschließen, bis die Installation vollständig abgeschlossen ist.

Für das Ableiten der Küchengerüche halten Sie sich an die Vorschriften der örtlichen Behörde.

• Bei gleichzeitigem Betrieb der Dunstabzugshaube im Abluftbetrieb und gas- oder brennstoffbetriebenen Geräten darf im Aufstellraum der Geräte der Unterdruck nicht größer als 4 Pa ( $4 \times 10^{-5}$  bar) sein.

• Die Abluft darf nicht in einen Kamin geleitet werden, der zugleich Abgase von der Verbrennung von Gas oder anderen Brennstoffen führt.

• Benutzen Sie die Haube nicht ohne korrekt montierte Lampen, um Stromschlaggefahr zu vermeiden.

• Die Dunstabzugshaube niemals ohne richtig installiertes Gitter verwenden!

• Die Dunstabzugshaube darf NIEMALS als Auflagefläche verwendet werden, sofern es nicht ausdrücklich angegeben ist.

• Verwenden Sie nur die mit dem Produkt für die Installation mitgelieferten Schrauben, oder, falls nicht im Lieferumfang enthalten, kaufen Sie den richtigen Schraubentyp.

• Die Länge für die Schrauben verwenden, die im Installationshandbuch angegeben wird.

• Im Zweifelsfall, fragen Sie Ihren autorisierten Kundendienst oder ein ähnliches Fachpersonal.

## ▲ ACHTUNG!

- Schrauben und Befestigungselemente, die nicht in Übereinstimmung mit diesen Hinweisen sind, können zur elektrischen Gefährdung führen.
- Nicht mit einem externen Timer, einer Schaltuhr oder einer Fernbedienung oder jeglicher anderer Vorrichtung, die sich automatisch aktiviert, verwenden.

Halten Sie Kinder unter 3 Jahren fern vom Gerät. Ohne die ständige Aufsicht eines Erwachsenen Kinder unter 8 Jahren nicht in Reichweite des Geräts lassen.

▲ ACHTUNG: Das Gerät darf nicht über ein externes Gerät oder mit einer Fernbedienung in Betrieb gesetzt werden.

▲ Dieses Gerät ist nicht für den professionellen Gebrauch. Das Gerät nicht im Freien benutzen.


▲ Um Verletzungen zu vermeiden, muss das Gerät von zwei oder mehreren Personen bewegt und installiert werden.

▲ Die Installation, die auch Anschlüsse an das Wasserversorgungsnetz (wenn vorgesehen) und an das Stromnetz beinhaltet, und Reparaturen müssen von Fachpersonal ausgeführt werden.

Nach abgeschlossener Installation das Verpackungsmaterial (Plastik, Polystyrol usw.) außerhalb der Reichweite von Kindern aufbewahren, um Erstickungsgefahr zu vermeiden. .

Das Gerät nicht benutzen, wenn man nass oder barfuß ist.

Das Gerät niemals mit Dampf reinigen - Stromschlaggefahr.

Das Verpackungsmaterial ist 100% recycelbar und mit dem Recycling-Zeichen gekennzeichnet 

**Die Dunstabzugshaube kann anders aussehen als auf den Abbildungen in der vorliegenden Bedienungsanleitung. Die Bedienungsanleitungen, die Wartung und die Installation sind aber gleich.**

**Die Anweisungen, die in diesem Handbuch gegeben werden, müssen strikt eingehalten werden.** Es wird keinerlei Haftung übernommen für mögliche Mängel, Schäden oder Brände der Dunstabzugshaube, die auf die Nichtbeachtung der Vorschriften in diesem Handbuch zurückzuführen sind. Die Dunstabzugshaube wurde für die Absaugung der beim Kochen entstehenden Dünste und Dämpfe entwickelt. Sie ist nur für den Hausgebrauch geeignet.

- Die Bedienungsanleitung muss aufbewahrt werden, damit jederzeit ein Nachschlagen möglich ist. Bei Verkauf, Abtretung oder Umzug muss die Bedienungsanleitung immer beim Produkt bleiben.
- Die Bedienungsanleitung muss aufmerksam gelesen werden, da sie wichtige Informationen über Installation, Gebrauch und Sicherheit enthält.
- Es dürfen keine elektrischen oder mechanischen Änderungen am Gerät oder an den Abluftleitungen vorgenommen werden.
- Vergewissern Sie sich vor der Installation, dass das Gerät keine Transportschäden aufweist. Bei auftretenden Problemen setzen Sie sich bitte mit Ihrem Händler in Verbindung.

Der Abstand zwischen der Abstellfläche auf dem Kochfeld und der Unterseite der Dunstabzugshaube darf 50 cm im Fall von elektrischen Kochfeldern und 65 cm im Fall von Gas- oder kombinierten Herden nicht unterschreiten.

**Wenn die Installationsanweisungen des Gaskochgeräts einen größeren Abstand vorgeben, ist dieser zu berücksichtigen.**

## ELEKTRISCHER ANSCHLUSS

Die Netzspannung muss der Spannung entsprechen, die auf dem Typenschild im Innern der Haube angegeben ist. Sofern die Haube einen Netzstecker hat, ist dieser an zugänglicher Stelle an eine den geltenden Vorschriften entsprechende Steckdose nach der Montage anzuschließen. Bei einer Haube ohne Stecker (direkter Netzanschluss) oder falls der Stecker nicht zugänglich ist, ist ein normgerechter zweipoliger Schalter nach der Montage anzubringen, der unter Umständen der Überspannung Kategorie III entsprechend den Installationsregeln ein vollständiges Trennen vom Netz garantiert.

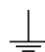
## ▲ HINWEIS!

Vor der Inbetriebnahme muss sichergestellt werden, dass die Netzversorgungsleitung (Steckdose) ordnungsgemäß montiert wurde. Wenn das Kabel keinen Stecker hat, die Drähte entsprechend der folgenden Tabelle verbinden:

### Netzspannung und Frequenz

Lesen Sie den Wert auf dem Aufkleber mit den Geräteeigenschaften auf der Innenseite der Kappe.

### Verdrahtung

 :gelb/grün  
N : Blau  
L : Braun

## Austausch des Netzkabels

Die Dunstabzugshaube ist mit einem Spezialkabel ausgestattet. Sollte das Kabel beschädigt werden, muss beim Kundendienst Ersatz angefordert werden.

## ABLEITUNG DER ABLUFT

(bei Abluftversionen)

Die Dunstabzugshaube an Abluftrohre und Abluftöffnungen in der Wand anschließen, die den gleichen Durchmesser haben wie der Abluftstutzen (Anschlussflansch).

Die Benutzung von Rohren und Abluftöffnungen mit geringerem Durchmesser verursacht eine Verringerung der Abluftleistung und eine drastische Zunahme der Geräuschentwicklung.

Bei Nichtbeachtung der Anweisungen übernimmt der Hersteller keine Haftung.

! Ein möglichst kurzes Rohr verwenden.

! Ein Rohrsystem mit einer möglichst geringen Anzahl von Krümmungen verwenden (max. Winkel der Krümmung: 90°).

! Starke Änderungen des Rohrdurchmessers sind zu vermeiden.

! Jegliche Verantwortung wird von der Firma abgelehnt, sollten diese Normen nicht respektiert werden.

## UMLUFT- ODER ABLUFTBETRIEB ?

! Ihre Haube wird als Abzugshaube geliefert.

Um die Abzugshaube in der Umluftversion verwenden zu können, braucht der AKTIVKOHLE-FILTERSYSTEM installiert zu werden.

Stellen Sie in den ersten Seiten dieser Gebrauchsanleitung fest, ob das AKTIVKOHLE-FILTERSYSTEM mitgeliefert oder separat erhältlich ist.

**Anmerkung:** Wenn das Aktivkohle-Filterssystem mitgeliefert wird, kann es schon in der Haube installiert worden sein.

Die Informationen über den Umbau der Abzugshaube in Umlufthaube sind in dieser Gebrauchsanleitung enthalten.

### Abluftbetrieb

Die Luft wird mit Hilfe eines Rohrs ins Freie geleitet, das am Abluftstutzen angebracht wird.

### ⚠ HINWEIS!

Das Abluftrohr wird nicht mitgeliefert und muss separat erworben werden.

Das Abluftrohr muss den gleichen Durchmesser wie der Abluftstutzen aufweisen.

### ⚠ HINWEIS!

Sollte die Dunstabzugshaube mit Aktivkohlefilter versehen sein, so muss dieser entfernt werden.

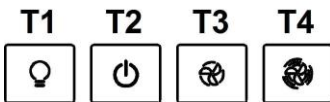
### Umluftbetrieb

Die angesaugte Luft wird zuvor entfettet und desodoriert werden, bevor sie wieder in den Raum zugeführt wird.

Um die Abzugshaube in dieser Version zu verwenden, müssen Sie ein zusätzliches Filtersystem, welches auf Aktivkohle basiert, installieren.

## BEDIENELEMENTE

Die Dunstabzugshaube ist mit einer Bedienungsblende ausgestattet, die mit einer Steuerung für die Ansaugstärke bzw. -geschwindigkeit, sowie einer Steuerung zur Einstellung der Arbeitsplatzbeleuchtung versehen ist.



T1. Lichtschalter ON/OFF.

T2. Schalter OFF/Geschwindigkeit 1.

T3. Geschwindigkeitsauswahl 2.

T4. Geschwindigkeitsauswahl 3.

# WARTUNG

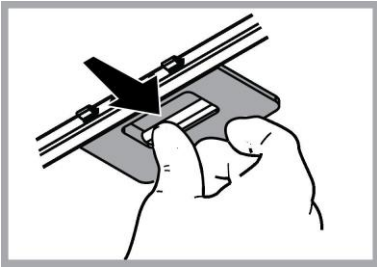
## Reinigung

Zur Reinigung **AUSSCHLIESSLICH** ein mit flüssigem Neutralreiniger getränktes Tuch verwenden. **KEINE WERKZEUGE ODER GERÄTE FÜR DIE REINIGUNG VERWENDEN!** Keine Produkte verwenden, die Scheuermittel enthalten. **KEINEN ALKOHOL VERWENDEN!**

## Wartung der Fettfilter

Diese dienen dazu, die Fettpartikel, die beim Kochen frei werden, zu binden.

Dieser muss einmal monatlich gewaschen werden (oder wenn das Sättigungsanzeigesystem der Filter – sofern bei dem jeweiligen Modell vorgesehen – dies anzeigt). Das kann mit einem milden Waschmittel von Hand, oder in der Spülmaschine bei niedriger Temperatur und einem Kurzspülgang erfolgen. Der Metallfettfilter kann bei der Reinigung in der Spülmaschine verfärben, was seine Filtermerkmale jedoch in keiner Weise beeinträchtigt. Zwecks Demontage der Fettfilter den Aushakgriff ziehen.



## Wartung des Aktivkohlefilters

Dieser Filter bindet die unangenehmen Gerüche, die beim Kochen entstehen.

Je nach der Benetzungsdauer des Herdes und der Häufigkeit der Reinigung des Fettfilters tritt nach einer mehr oder weniger langen Benutzungsdauer die Sättigung des Aktivkohlefilters auf. Auf jeden Fall muß der Filtereinsatz mindestens alle 4 Monate (oder wenn das Sättigungsanzeigesystem der Filter – sofern bei dem jeweiligen Modell vorgesehen – diese Notwendigkeit anzeigt) ausgewechselt werden.

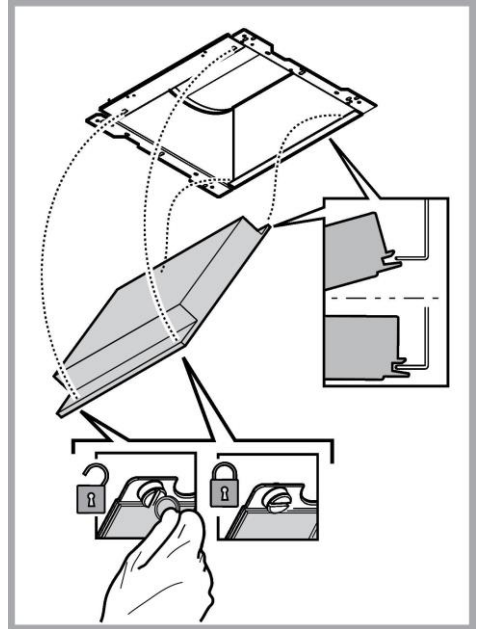
Er kann NICHT gereinigt oder erneut aktiviert werden.

### Montage

Den Aktivkohlefilter zuerst von hinten auf der metallischen Feder der Saugkappe anhängen, dann von vorne mit den zwei Knöpfen.

### Demontage

Den Aktivkohlefilter entnehmen, in dem man die Knöpfe, die an der Saugkappe fixiert sind, auf 90° dreht.



## Ersetzen der Lampen

Die Haube ist mit einem auf der Leuchtdiodentechnologie basierten Beleuchtungssystem ausgestattet.

Die LEDs ermöglichen eine optimale Beleuchtung der Kochfläche. Sie haben die zehnfache Lebensdauer, verglichen mit herkömmlichen Lampen, und bieten eine Energieersparnis bis zu 90%.


Um die LEDs mit neuen zu ersetzen, setzen Sie sich bitte mit dem Kundendienst in Verbindung.

# ENTSORGUNG

In Übereinstimmung mit den Anforderungen der Europäischen Richtlinie 2012/19/EC über Elektro- und Elektronik-Altgeräte (WEEE) ist vorliegendes Gerät mit einer Kennzeichnung versehen.

Sie leisten einen positiven Beitrag für den Schutz der Umwelt und die Gesundheit des Menschen, wenn Sie dieses Gerät einer gesonderten Abfallsammlung zuführen. Im unsortierten Siedlungsmüll könnte ein solches Gerät durch unsachgemäße Entsorgung negative Konsequenzen nach sich ziehen.



Auf dem Produkt oder der beiliegenden Produktdokumentation ist folgendes Symbol  einer durchgestrichenen Abfalltonne abgebildet. Es weist darauf hin, dass eine Entsorgung im normalen Haushaltsabfall nicht zulässig ist. Entsorgen Sie dieses Produkt im Recyclinghof mit einer getrennten Sammlung für Elektro- und Elektronikgeräte. Die Entsorgung muss gemäß den örtlichen Bestimmungen zur Abfallbeseitigung erfolgen.

Bitte wenden Sie sich an die zuständigen Behörden Ihrer Gemeindeverwaltung, an den lokalen Recyclinghof für Haushaltsmüll oder an den Händler, bei dem Sie dieses Gerät erworben haben, um weitere Informationen über Behandlung, Verwertung und Wiederverwendung dieses Produkts zu erhalten.

Gerät entwickelt, getestet und hergestellt nach:

- Sicherheit: EN/IEC 60335-1; EN/IEC 60335-2-31, EN/IEC 62233.
- Leistungsfähigkeit/Gebrauchstauglichkeit: EN/IEC 61591; ISO 5167-1; ISO 5167-3; ISO 5168; EN/IEC 60704-1; EN/IEC 60704-2-13; EN/IEC 60704-3; ISO 3741; EN 50564; IEC 62301.
- EMC: EN 55014-1; CISPR 14-1; EN 55014-2; CISPR 14-2; EN/IEC 61000-3-2; EN/IEC 61000-3-3. Empfehlungen für eine korrekte Verwendung, um die Umweltbelastung zu verringern: Schalten Sie die Haube beim Kochbeginn bei kleinster Geschwindigkeit EIN und lassen Sie die Haube einige Minuten nachlaufen, wenn Sie mit dem Kochen fertig sind. Erhöhen Sie die Geschwindigkeit nur bei großen Mengen von Kochdunst und Dampf und benutzen Sie die Intensivstufe(n) nur bei extremen Situationen. Wechseln Sie die Kohlefilter, wenn notwendig, um eine gute Geruchsreduzierung zu gewährleisten. Säubern Sie die Fettfilter, wenn notwendig, um eine gute Fettfilterungseffizienz zu gewährleisten. Verwenden Sie den in der Gebrauchsanweisung angegebenen größten Durchmesser des Luftaustrittssystems, um die Leistungsfähigkeit zu optimieren und die Geräuschentwicklung zu minimieren.

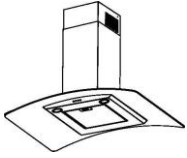
# BETRIEBSSTÖRUNGEN



Wenn etwas nicht zu funktionieren scheint, folgende Kontrollen durchführen, bevor der Kundendienst gerufen wird:

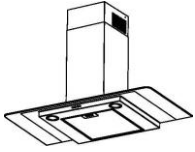
- Wenn die Abzugshaube nicht funktioniert:  
Prüfen, ob:
  - ein Stromausfall vorliegt.
  - eine Geschwindigkeit gewählt wurde.
- Wenn die Leistung der Abzugshaube mangelhaft ist:  
Prüfen, ob:
  - die gewählte Motorgeschwindigkeit für die freigesetzte Menge an Rauch und Dämpfen ausreicht.
  - die Küche ausreichend belüftet ist, um eine Luftansaugung zuzulassen.
  - der Kohlefilter verbraucht ist (bei Umluftversion).
- Wenn sich die Haube im Laufe des normalen Betriebs selbst ausgeschaltet hat.  
Prüfen, ob:
  - ein Stromausfall vorliegt.
  - die allpolige Trennvorrichtung ausgelöst wurde.



Die Dunstabzugshaube oder die Bedienelemente funktionieren nicht: Für mindestens 5 Sekunden die Stromversorgung der Dunstabzugshaube unterbrechen und dann die Haube erneut einschalten. Kann die Störung nicht behoben werden, kontaktieren Sie bitte den Kundendienst.

# TECHNISCHE DATEN



Höhe (cm)	Breite (cm)	Tiefe (cm)	Ø des Abluftrohrs (cm)
 60 - 113	89,8 - 69,8 - 59,8	45	15
 69 - 113			



Höhe (cm)	Breite (cm)	Tiefe (cm)	Ø des Abluftrohrs (cm)
 60 - 113	89,8 - 69,8 - 59,8	45	15
 69 - 113			

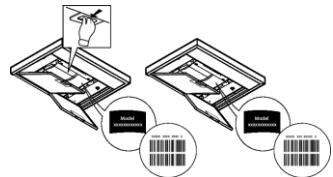


Teile, die nicht zum Lieferumfang des Produkts gehören



Sie können die **Sicherheitshinweise, Bedienungsanleitung, Technischen Daten und Energiedaten wie folgt herunterladen:**

- Besuchen Sie unsere Internetseite [docs.whirlpool.eu](https://docs.whirlpool.eu)
- Verwenden Sie den QR-Code
- Alternativ können Sie **unserer Kundendienst kontaktieren** (Siehe Telefonnummer in dem Garantieheft). Wird unser Kundendienst kontaktiert, bitte die Codes auf dem Typenschild des Produkts angeben.



## SÉCURITÉ GÉNÉRALE

- Avant tout entretien ou nettoyage du produit débranchez l'alimentation électrique en retirant la fiche électrique ou en coupant l'interrupteur général.
  - Utilisez des gants de travail pour toute opération de nettoyage ou d'entretien.
  - Cet appareil peut être utilisé par des enfants âgés d'au moins 8 ans et par des personnes ayant des capacités physiques, sensorielles ou mentales réduites ou dénuées d'expériences ou de connaissances, sauf si ces personnes sont correctement surveillées ou si des instructions relatives à l'utilisation correcte de l'appareil permettant d'éviter tout danger leur ont été communiquées.
  - Les enfants ne doivent pas jouer avec l'appareil.
  - Le nettoyage et l'entretien par l'utilisateur ne doivent pas être effectués par des enfants sans surveillance.
  - La pièce doit avoir une aération suffisante lorsque la hotte est utilisée conjointement avec d'autres appareils fonctionnant au gaz ou autres combustibles.
  - La hotte doit être régulièrement nettoyée à la fois à l'intérieur et à l'extérieur (AU MOINS UNE FOIS PAR MOIS); cela devrait se faire en conformité avec les instructions d'entretien. Le non respect des instructions expressément fournies concernant le nettoyage de la hotte et des filtres peut provoquer des risques d'incendie.
  - Ne pas flamber d'aliments sous la hotte.
  - Pour le remplacement de la lampe, utilisez uniquement le type de lampe spécifié dans la section remplacement/maintenance lampe dans ce manuel.
- L'utilisation d'une flamme nue est dommageable pour les filtres et peut causer un incendie, par conséquent, il est déconseillé de l'utiliser.

La friture doit être faite avec soin afin de s'assurer que l'huile surchauffée ne prenne pas feu.

**AVERTISSEMENT:** Lorsque la table de cuisson est en fonctionnement, les parties accessibles de la hotte peuvent devenir très chaudes.

- Ne pas brancher l'appareil au réseau électrique avant que l'installation ne soit complètement terminée.
- En ce qui concerne les mesures techniques et de sécurité à prendre pour l'évacuation des fumées, respectez strictement les dispositions des règlements locaux.
- L'air ne doit pas être envoyé dans un conduit utilisé pour évacuer les fumées d'appareils utilisant du gaz ou un autre combustible.
- Ne pas utiliser ou laisser la hotte sans les lampes correctement montées, car un éventuel risque de choc électrique est possible.
- N'utilisez jamais la hotte sans la grille montée correctement!
- La hotte ne doit JAMAIS être utilisée comme une surface d'appui, sauf indication expresse.
- Utilisez uniquement les vis de fixation fournies avec le produit pour l'installation, ou, si non fournies, acheter le type correct de vis.
- Utilisez la longueur correcte pour les vis qui sont identifiées dans le Guide d'installation.
- En cas de doute, consultez votre centre de service agréé ou du personnel qualifié.

### **▲ ATTENTION !**

- Le défaut d'installer les vis et les dispositifs de fixation conformément à ces instructions peut entraîner des risques électriques.
- Ne pas mettre en marche au moyen d'un programmeur, d'une minuterie, ou d'un système de commande à distance séparé ou tout autre dispositif qui met l'appareil sous tension automatiquement.

Les enfants de moins de 3 ans ne doivent pas s'approcher de l'appareil. Sans la surveillance constante d'un adulte, garder l'appareil hors de la portée des enfants de moins de 8 ans.

**⚠ ATTENTION :** l'appareil ne peut être mis en marche par le biais d'un dispositif externe ou d'un système de commande à distance séparé.

**⚠** Cet appareil n'est pas destiné à un usage professionnel. Ne pas utiliser l'appareil à l'extérieur.

**⚠** Pour éviter le risque de lésions personnelles, l'appareil doit être déplacé et installé par deux ou plusieurs personnes.

**⚠** L'installation, comprenant éventuellement aussi les raccords pour l'alimentation hydriques (si prévus) et les branchements électriques, et les interventions de réparation doivent être effectués par un personnel qualifié.

Après avoir complété l'installation, conserver le matériel d'emballage (plastique, polystyrène, etc.) hors de la portée des enfants pour éviter le risque d'étouffement.

Ne jamais utiliser l'appareil pieds nus ou mouillés.

Ne jamais utiliser d'appareils de nettoyage à vapeur pour éviter le risque de choc électrique.



Comme indiqué par le symbole, le matériel d'emballage est 100 % recyclable

**La hotte peut avoir des configurations esthétiques différentes par rapport à ce qui est illustré dans les dessins de ce manuel, cependant les instructions pour l'utilisation, l'entretien et l'installation restent identiques.**

**Suivre impérativement les instructions de cette notice.** Le constructeur décline toute responsabilité pour tous les inconvénients, dommages ou incendies provoqués à l'appareil et dûs à la non observation des instructions de la présente notice. Cet appareil est destiné à être utilisé dans des applications domestiques et analogues telles que : - des coins cuisines réservés au personnel dans des magasins, bureaux et autres environnements professionnels ; - des fermes ; - l'utilisation par les clients des hôtels, motels et autres environnements à caractère résidentiel ; - des environnements du type chambre d'hôtes.

- Il est important de conserver ce livret pour pouvoir le consulter à tout moment. En cas de vente, de cession ou de déménagement, assurez-vous que la notice d'utilisation l'accompagne.
- Veuillez lire attentivement les instructions, vous trouverez des informations importantes sur l'installation, le mode d'emploi et la sécurité.
- Ne pas effectuer des modifications électriques ou mécaniques sur le produit ou sur les conduits d'évacuation.
- Avant d'installer l'appareil, vérifiez qu'il n'y a aucun composant endommagé. Sinon, contactez votre revendeur et ne continuez pas l'installation.

La distance minimum entre la superficie de support des récipients sur le dispositif de cuisson et la partie la plus basse de la hotte de cuisine ne doit pas être inférieure à 50cm dans le cas de cuisinières électriques et de 65 cm dans le cas de cuisinières à gaz ou mixtes.

**Si les instructions d'installation du dispositif de cuisson au gaz spécifient une plus grande distance, il faut en tenir compte.**

## BRANCHEMENT ÉLECTRIQUE

La tension électrique doit correspondre à la tension reportée sur la plaque signalétique située à l'intérieur de la hotte. Si une prise est présente, branchez la hotte dans une prise murale conforme aux normes en vigueur et placée dans une zone accessible également après l'installation. Si aucune prise n'est présente (raccordement direct au circuit électrique), ou si la prise ne se trouve pas dans une zone accessible également après l'installation, appliquez un disjoncteur normalisé pour assurer de débrancher complètement la hotte du circuit électrique en conditions de catégorie surtension III, conformément aux réglementations de montage.

### ⚠ ATTENTION!


Avant de rebrancher le circuit de la hotte à l'alimentation électrique et d'en vérifier le fonctionnement correct, contrôlez toujours que le câble d'alimentation soit monté correctement.

Si le câble n'est pas équipé d'une fiche, branchez les fils selon le tableau suivant:

#### Tension principale et fréquence

Se référer à la valeur indiquée sur l'étiquette des caractéristiques à l'intérieur de la hotte.

#### Branchement des fils

 : jaune/vert

N : bleu

L : brun



## Changement du câble d'alimentation

La hotte est pourvue d'un câble d'alimentation spécial; en cas de détérioration du câble, en demander un neuf au service d'assistance technique.

## ÉVACUATION DE L'AIR

(pour les versions aspirantes)

Relier la hotte aux tubes et trous d'évacuation de la paroi d'un diamètre équivalent à la sortie de l'air (collier de raccord).

L'utilisation de tubes et des trous d'évacuation à paroi avec un diamètre inférieur entraînera une diminution des performances d'aspiration et une nette augmentation du bruit.

Nous déclinons toute responsabilité à cet égard.

! Utiliser un tuyau de la longueur strictement nécessaire.

! Les coudes du tuyau doivent être en nombre minimale (angle maxi du coude: 90°).

! Éviter les variations excessives de section du tuyau.

! La société décline toute responsabilité si ces normes ne sont pas respectées.

## FILTRANTE OU ASPIRANTE ?

! Votre hotte est prête pour être utilisée en version aspirante.

Pour utiliser la hotte en version filtrante, il faut installer le KIT ACCESSOIRES prévu.

Vérifier dans les premières pages de ce manuel si le KIT ACCESSOIRES est déjà fourni ou s'il faut l'acheter à part.

**Remarque:** Si fourni dans le kit, dans certains cas, le système de filtration supplémentaire à base de charbon actif pourrait déjà être installé dans la hotte.

Les informations pour la transformation de la hotte de version aspirante à version filtrante sont déjà contenues dans ce manuel.

## Version aspirante

Les vapeurs sont évacuées vers l'extérieur à travers un conduit d'évacuation fixé à la bride de raccord qui se trouve au-dessus de la hotte.

### ⚠ ATTENTION!

Le tuyau d'évacuation n'est pas fourni et doit être acheté à part.

Le diamètre du tuyau d'évacuation doit être égal à celui de la bride de raccord.

### ⚠ ATTENTION!

Si la hotte est équipée d'un filtre à charbon, ce dernier doit être enlevé.

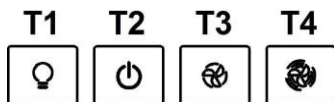
## Version filtrante

L'air d'aspiration sera dégraissé et désodorisé avant d'être renvoyé dans la pièce.

Pour utiliser la hotte dans cette version, vous devez installer un système de filtrage supplémentaire basé sur charbon actif.

## COMMANDES

La hotte est équipée d'un panneau de contrôle doté d'une commande de vitesse d'aspiration et d'une commande d'éclairage du plan de cuisson.



T1. Interrupteur lumières ON/OFF.

T2. Interrupteur OFF/vitesse 1

T3. Sélection vitesse 2

T4. Sélection vitesse 3

# ENTRETIEN

## Nettoyage

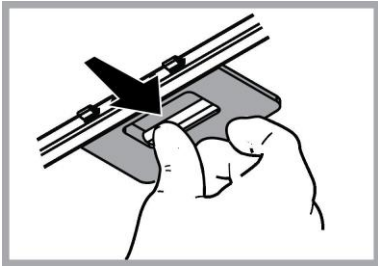
Pour le nettoyage, utiliser **EXCLUSIVEMENT** un chiffon humidifié avec des détergent liquides neutres. **NE PAS UTILISER D'OUTILS OU D'INSTRUMENTS POUR LE NETTOYAGE !** Éviter l'usage de produits abrasifs, **NE PAS UTILISER D'ALCOOL!**

## Entretien des filtres anti-graisses

**Il retient les particules de graisse issues de la cuisson.**

Le filtre doit être nettoyé une fois par mois (ou lorsque le système d'indication de saturation des filtres – si prévu sur le modèle – indique cette nécessité) avec des détergents non agressifs, à la main ou dans le lave-vaisselle à faibles températures et cycle rapide.

Le lavage du filtre anti-graisse métallique au lave-vaisselle peut en provoquer la décoloration. Toutefois, les caractéristiques de filtrage ne seront en aucun cas modifiées. Pour démonter le filtre anti-graisse, tirer la poignée de décrochement à ressort.



## Entretien des filtres au charbon

**Retient les odeurs désagréables de cuisson.**

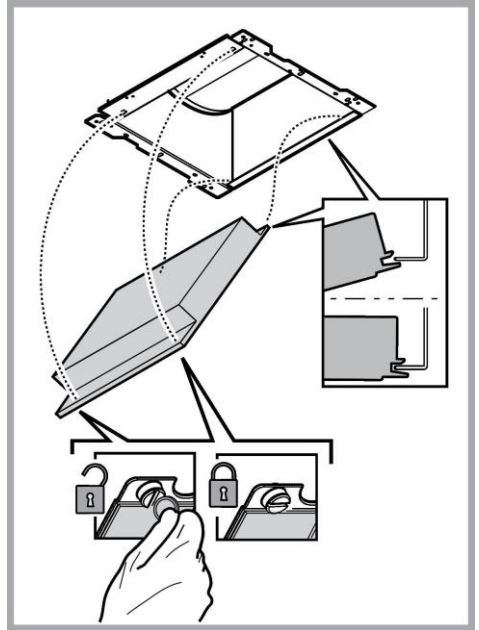
La saturation du charbon actif se constate après un emploi plus ou moins long, selon le type de cuisinière et de régularité du nettoyage du filtre à graisses. En tout cas, il est nécessaire de changer le filtre après, au maximum, quatre mois (ou lorsque le système d'indication de saturation des filtres – si prévu sur le modèle possédé – indique cette nécessité). **IL NE PEUT PAS** être nettoyé ou régénéré.

### Montage

Accrocher le filtre au charbon actif d'abord à l'arrière de la languette métallique de la hotte, puis à l'avant avec les deux pommeaux.

### Démontage

Enlever le filtre au charbon actif en tournant de 90° les pommeaux qui le fixent à la hotte.



## Remplacement des lampes

La hotte est dotée d'un système d'éclairage basé sur la technologie LED.

Les LEDS garantissent un éclairage optimal, une durée jusqu'à 10 fois supérieures aux ampoules traditionnelles et permettent une épargne de 90% en énergie électrique.


Pour le remplacement, s'adresser au service d'assistance technique.

## ÉLIMINATION

Cet appareil porte le symbole du recyclage conformément à la Directive Européenne 2012/19/EC concernant les Déchets d'Équipements Électriques et Électroniques (DEEE ou WEEE).

En procédant correctement à la mise au rebut de cet appareil, vous contribuerez à empêcher toute conséquence nuisible pour l'environnement et la santé de l'homme.



Le symbole  présent sur l'appareil ou sur la documentation qui l'accompagne indique que ce produit ne peut en aucun cas être traité comme déchet ménager. Il doit par conséquent être remis à un centre de collecte des déchets chargé du recyclage des équipements électriques et électroniques.

Pour la mise au rebut, respectez les normes relatives à l'élimination des déchets en vigueur dans le pays d'installation.

Pour obtenir de plus amples détails au sujet du traitement, de la récupération et du recyclage de cet appareil, veuillez vous adresser au bureau compétent de votre commune, à la société de collecte des déchets ou directement à votre revendeur.

Appareil conçu, testé et fabriqué conformément aux normes suivantes :

- Sécurité : EN/IEC 60335-1; EN/IEC 60335-2-31, EN/IEC 62233.
- Performances : EN/IEC 61591; ISO 5167-1; ISO 5167-3; ISO 5168; EN/IEC 60704-1; EN/IEC 60704-2-13; EN/IEC 60704-3; ISO 3741; EN 50564; IEC 62301.
- EMC: EN 55014-1; CISPR 14-1; EN 55014-2; CISPR 14-2; EN/IEC 61000-3-2; EN/IEC 61000-3-3. Suggestions pour une utilisation correcte afin de réduire l'impact environnemental : Allumer la hotte à la vitesse minimum pendant la cuisson et la laisser fonctionner pendant quelques minutes après la fin de la cuisson. Augmenter la vitesse uniquement en présence d'une grande quantité de fumée ou de vapeur et n'utiliser la/les vitesse(s) accélérées que dans les cas extrêmes. Remplacer le(s) filtre(s) au charbon lorsque cela est nécessaire afin de maintenir une réduction efficace des odeurs. Nettoyer le(s) filtres à graisse lorsque cela est nécessaire afin de maintenir un filtrage efficace des graisses. Utiliser un système de tuyauterie du diamètre maximum indiqué dans ce manuel afin d'optimiser le rendement et de minimiser le bruit.

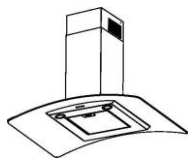
## ANOMALIES DE FONCTIONNEMENT



En cas d'anomalie de fonctionnement, avant de faire appel au service d'assistance, effectuer les contrôles suivants:

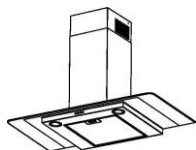
- Si la hotte ne fonctionne pas:  
S'assurer:
  - de l'absence de coupure de courant.
  - qu'une vitesse a été sélectionnée.
- Si la hotte a un faible rendement:  
S'assurer:
  - que la vitesse du moteur sélectionnée est suffisante pour la quantité de fumée et de vapeurs libérées.
  - que la cuisine est insuffisamment aérée pour assurer une prise d'air.
  - que le filtre à charbon n'est pas usé (hotte en version filtrante).
- Si la hotte s'éteint durant son fonctionnement normal:  
S'assurer:
  - de l'absence de coupure de courant.
  - que le dispositif d'interruption omnipolaire ne s'est pas déclenché.



Si la hotte ne fonctionne pas correctement, débranchez la prise pendant environ 5 secondes, puis rebranchez-la. Si le problème persiste, contactez le service de réparation compétent.

# DONNÉES TECHNIQUE



Hauteur (cm)	Largeur (cm)	Profondeur (cm)	Ø de tube d'évacuation (cm)
 60 - 113	89,8 - 69,8 - 59,8	45	15
 69 - 113			



Hauteur (cm)	Largeur (cm)	Profondeur (cm)	Ø de tube d'évacuation (cm)
 60 - 113	89,8 - 69,8 - 59,8	45	15
 69 - 113			

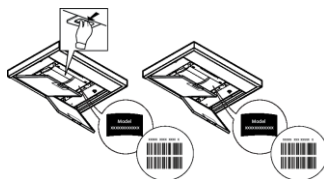


Éléments non fournis avec la hotte



**Vous pouvez télécharger les consignes de sécurité, le manuel de l'utilisateur, la fiche produit et les données énergétiques en :**

- Visitant notre site internet [docs.whirlpool.eu](http://docs.whirlpool.eu)
- Utilisant le Code QR
- Vous pouvez également **contacter notre service après-vente** (voir numéro de téléphone dans le livret de garantie). Lorsque vous contactez notre Service Après-vente, veuillez indiquer les codes visibles sur la plaque signalétique de l'appareil.



## ALGEMENE VEILIGHEID

- Zorg voordat u de afzuigkap schoonmaakt of onderhoudt eerst dat hij geen stroom heeft door de stekker uit het stopcontact te halen, de tweepolige schakelaar uit te zetten of de betreffende elektriciteitsgroep geheel uit te schakelen.
  - Draag tijdens installatie en onderhoud altijd werkhandschoenen.
  - Dit apparaat is geschikt voor bediening door kinderen vanaf 8 jaar, personen met lichamelijke, zintuiglijke of verstandelijke beperkingen, onervaren personen en degenen die over onvoldoende kennis beschikken, onder voorwaarde dat ze hierbij eerst worden begeleid en geïnstrueerd over veilig gebruik en bediening van het apparaat, en voldoende inzicht hebben in de bijbehorende gevaren.
  - Laat kinderen niet aan de knoppen zitten of met het apparaat spelen.
  - Schoonmaken en onderhoud door kinderen van voor de gebruiker toegankelijke onderdelen mag alleen onder toezicht van een volwassene.
  - Wanneer de afzuigkap wordt gebruikt voor apparaten die op gas of een andere brandstof werken, moet de ruimte waar de apparaten zijn geïnstalleerd voldoende worden geventileerd.
  - De afzuigkap moet regelmatig van binnen en van buiten worden schoongemaakt (MINSTENS 1 KEER PER MAAND).
  - Hierbij moeten de verstrekte onderhoudsinstructies worden opgevolgd. Als de verstrekte instructies voor het reinigen van de afzuigkap en de filters niet worden opgevolgd, ontstaat de kans op brand.
  - U mag niets flamberen onder de afzuigkap.
  - Vervang de lampen uitsluitend door het type dat staat aangegeven onder "Onderhoud > Lampjes vervangen" van deze gids.
- Blootstellen aan vlammen is slecht voor de filters en kan tot brand leiden. Dit moet dus onder alle omstandigheden worden vermeden. Werk bij bakken en braden dus extra zorgvuldig en zorg dat vet of olie niet oververhit raakt en in brand vliegt.
- LET OP: het is mogelijk dat toegankelijke onderdelen van de afzuigkap heet worden tijdens het afvoeren van kookdampen.
- Sluit het apparaat niet op het lichtnet aan voordat de installatie is voltooid.
  - Bij technische maatregelen en veiligheidsmaatregelen voor installaties die kookdampen afvoeren, is het belangrijk dat de lokale wet- en regelgeving nauwkeurig wordt gevolgd.
  - De afgezogen lucht mag niet worden afgevoerd naar een uitvoer voor dampen van apparaten die op gas of andere brandstoffen werken.
  - Zorg dat de lamp op de juiste manier is geplaatst omdat anders de kans ontstaat op elektrische schokken, zelfs als de kap niet wordt gebruikt.
  - Gebruik de afzuigkap nooit zonder op de juiste manier geplaatste roosters.
  - Laat NOOIT andere zaken op de afzuigkap rusten, tenzij specifiek aangegeven.
  - Gebruik voor de installatie alleen de meegeleverde schroeven, of koop schroeven van het juiste type.
  - Raadpleeg de installatiegids voor de correcte afmetingen van de schroeven.
  - Raadpleeg bij twijfel een geautoriseerd service center of iemand met vergelijkbare kwalificaties.

## ▲ WAARSCHUWING!

- Wanneer niet de in deze instructies vermelde schroeven worden gebruikt of als het apparaat niet volgens deze instructies wordt bevestigd, kunnen elektrische risico's ontstaan.

• Sluit het product niet aan op een (programmeerbare) timer, externe afstandsbediening of ander apparaat waardoor het product automatisch wordt ingeschakeld.

Houd kinderen jonger dan 3 jaar uit de buurt van het apparaat. Zonder het voortdurende toezicht van een volwassene moeten kinderen jonger dan 8 jaar uit de buurt van het apparaat gehouden worden.

**⚠ OPGELET:** het apparaat is niet bedoeld om in werking te worden gesteld door middel van een extern apparaat of een afzonderlijk afstandsbedieningssysteem.

**⚠** Dit apparaat is niet bedoeld voor een professioneel gebruik. Gebruik het apparaat niet in de open lucht.

**⚠** Om het risico op persoonlijk letsel te voorkomen, moet het apparaat verplaatst en geïnstalleerd worden door twee of meer personen.

**⚠** De installatie, waaronder ook de eventuele aansluiting op de watervoorziening (indien voorzien) en de elektrische aansluitingen, evenals de reparatie-ingrepen moeten worden uitgevoerd door gekwalificeerd personeel.

Na het voltooiën van de installatie moet het verpakkingsmateriaal (plastic, polystyreen, enz.) buiten het bereik van kinderen bewaard worden om verstikkingsgevaar te voorkomen. .

Gebruik het apparaat niet wanneer u nat bent of op blote voeten.

Gebruik voor de reiniging nooit stoomreinigers - gevaar voor elektrische schokken.



Het verpakkingsmateriaal is 100% recycleerbaar en is gemarkeerd met het betreffende symbool

**De afzuigkap kan er anders uitzien dan de afbeeldingen in dit boekje. De instructies voor bediening, onderhoud en installatie blijven echter hetzelfde.**

**Houd u altijd aan de instructies in deze gids.** Wij aanvaarden geen enkele aansprakelijkheid voor problemen, schade of brand die voortvloeien uit nalatigheid, zoals het niet opvolgen van de instructies in deze gids. Dit apparaat is bedoeld voor huishoudelijk gebruik en vergelijkbare toepassingen zoals: - personeelskeukens in winkels, kantoren en andere werkomgevingen; - boerderijen; - gebruik door klanten in hotels, motels en andere verblijfsomgevingen zoals bed and breakfast.

- Het is belangrijk om dit boekje goed te bewaren zodat u er altijd dingen in kan opzoeken. Zorg dat het boekje bij verhuizing, verkoop of overdracht met het apparaat meegaat.
- Lees de instructies zorgvuldig: het gaat hier om belangrijke informatie over installatie, bediening, onderhoud en veiligheid.
- Voer nooit zelf elektrische of mechanische veranderingen uit op het product of de afvoerbuizen.
- Controleer alle onderdelen op beschadigingen voordat u verder gaat met de installatie van het apparaat. Neem bij beschadiging contact op met uw leverancier, en begin niet aan de installatie.

De minimale afstand tussen het kookoppervlak en de onderkant van de afzuigkap is 50cm bij een elektrische kookplaat en 65 cm, in geval van een gas- of gemengd fornuis.

**Als in de installatie-instructies van een gaskookplaat een grotere afstand wordt genoemd, moet de grotere afstand worden gebruikt.**

## ELEKTRISCHE AANSLUITING

De aansluiting op het lichtnet moet overeenkomen met de waarde op het plaatje aan de binnenkant van de afzuigkap. Als de afzuigkap een stekker heeft, moet deze in een stopcontact dat aan de nieuwste regelgeving voldoet en ook na de installatie bereikbaar blijft. Als het product geen stekker heeft (rechtstreekse aansluiting op lichtnet), of als de stekker na de installatie niet meer bereikbaar is, moet gebruik worden gemaakt van een tweepolige aan/uitschakelaar, zodat het product (bijvoorbeeld bij een te hoge stroomsterkte, categorie III) geheel kan worden losgekoppeld van het lichtnet.

### **⚠ WAARSCHUWING!**


Controleer eerst of het netsnoer correct is gemonteerd voordat de afzuigkap op het lichtnet wordt aangesloten om de juiste werking te controleren.

Als de kabel niet is voorzien van een stekker, sluit u de kabels aan overeenkomstig de volgende tabel:

#### **Spanning en frequentie net**

Verwijs naar de waarde aangegeven op het typeplaatje dat is aangebracht in de afzuigkap.

#### **Aansluiting draden**

 : geel/groen  
N : blauw  
L : bruin

## Vervanging van de voeding

De afzuigkap wordt geleverd met een speciaal netsnoer. Als dit snoer beschadigd is, moet u een nieuw exemplaar aanvragen bij de technische dienst.

## LUCHTAFVOER

(afzuigend apparaat)

Sluit de afzuigkap aan op een buis met dezelfde doorsnede als de luchtafvoer van de kap (aansluitflens). Deze diameter geldt ook voor eventuele doorvoeropeningen voor de afvoerbuis.

Een doorvoeropening en/of buis met een kleinere doorsnede verlaagt de zuigkracht en leidt tot een enorme toename van de geluidsproductie.

Wij aanvaarden in dit verband dan ook geen enkele verantwoordelijkheid.

- Houd de buis zo kort mogelijk.
- Gebruik zo weinig mogelijk elleboogkoppelingen (maximale hoek hiervan: 90°).
- Vermijd grote variaties in de doorsnede van de afvoerbuis.

! Het bedrijf wijst iedere aansprakelijkheid af indien deze voorschriften niet in acht worden genomen.

## FILTEREND OF AFZUIGEND APPARAAT ?

! Uw afzuigkap is ingesteld om als afzuigend apparaat te worden gebruikt.

Om de kap als filterend apparaat te gebruiken dient de betreffende TOEBEHOREN SET gemonteerd te worden.

Controleer op de eerste pagina's van deze handleiding of de TOEBEHOREN SET wordt meegeleverd of gekocht moet worden.

**Opmerking:** Indien de set meegeleverd wordt, kan, in enkele gevallen, het extra actieve koolstofilter reeds op de kap gemonteerd zijn.

De inlichtingen om de kap van afzuigend apparaat in filterend apparaat om te zetten zijn in deze handleiding te vinden.

## Uitvoering als afzuigend apparaat

Hierbij wordt de afgevoerde lucht uit het pand gevoerd via een speciaal hiervoor geconstrueerde buis die gekoppeld is aan de aansluiting aan de bovenkant van de afzuigkap.

### LET OP!

De afvoerbuis wordt niet meegeleverd en moet afzonderlijk worden aangeschaft. De afvoerbuis moet dezelfde doorsnede hebben als de aansluiting.

### LET OP!

Als de afzuigkap is geleverd met een actief koolfilter, moet dit worden verwijderd.

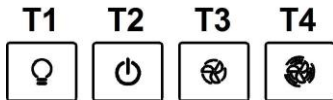
## Filtrerende versie

De verwijderde lucht wordt ontvet en ontgeurd en vervolgens weer teruggeleid naar de betreffende ruimte.

Om de afzuigkap in deze vorm te gebruiken, moet een extra filtersysteem op basis van geactiveerde kool zijn geïnstalleerd.

## BEDIENINGSELEMENTEN

De kap is voorzien van een bedieningspaneel met een schakelaar voor de snelheid van afzuiging en een schakelaar voor de verlichting van het fornuis.



T1. Lichtschakelaar ON/OFF.

T2. Schakelaar OFF/snelheid 1

T3. Selectieknop snelheid 2

T4. Selectieknop snelheid 3

# ONDERHOUD

## Schoonmaak

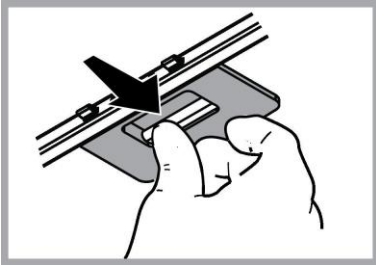
ALLEEN reinigen met een doek die is bevochtigd met een neutraal vloeibaar schoonmaakmiddel. **GEBRUIK BIJ HET REINIGEN GEEN GEREEDSCHAPPEN OF ANDERE VOORWERPEN.** Gebruik geen schuurmiddelen. **GEBRUIK GEEN ALCOHOL!**

## Onderhoud van de vetfilters

### Vangt vetdeeltjes op uit de kookdampen.

Moet één keer per maand worden gereinigd (of als de aanwijzer verzadigde filters – indien aanwezig op het model in Uw bezit – deze noodzaak aangeeft) met neutrale reinigingsmiddelen, met de hand of in de vaatwasmachine op lage temperaturen en met een kort programma. Door hem in de vaatwasmachine te wassen kan het metalen vetfilter ontkleuren, maar dit is niet van invloed op de eigenschappen, die beslist niet veranderen.

Trek aan de verende hendel om het vetfilter te verwijderen.



## Onderhoud van het koolstoffilter

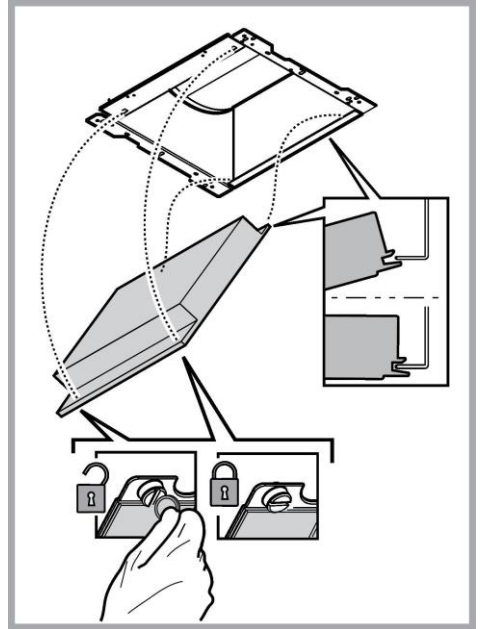
**Absorbeert ongewenste kookgeurtjes.** De verzadiging van de koolstoffilter vindt plaats na een min of meer geprolongerd gebruik en hangt af van het soort koken en de regelmaat waarmee de vetfilter wordt gewassen. In ieder geval moet de filter minstens om de 4 maanden (of als de aanwijzer verzadigde filters – indien aanwezig op het model in Uw bezit – deze noodzaak aangeeft) vervangen worden. Het kan NIET gewassen of opnieuw gebruikt worden

### Montage

Haak eerst het koofilter aan de achterkant van de metalen lip van de afzuigkap, en zet het daarna vast met de twee knoppen aan de voorkant.

### Demontage

Verwijder het koofilter door de bevestigingsknoppen op de afzuigkap een kwartslag te draaien.



## Vervanging lampjes

De verlichting van de afzuigkap maakt gebruik van LED-technologie.

Dankzij de LEDS bent u verzekerd van optimale verlichting, een levensduur tot 10 keer zo lang als gewone lampen en een energiebesparing tot 90%.

Neem voor vervanging contact op met de technische dienst.




## VERWIJDERING

Dit toestel is gemarkeerd in overeenstemming met Europese richtlijn 2012/19/EC betreffende afgedankte elektrische en elektronische apparatuur (AEEA).

Zorg aan het einde van de levensduur van het apparaat dat het op de juiste manier wordt afgevoerd en verwerkt. Zo voorkomt u negatieve gevolgen voor volksgezondheid en milieu.



Het pictogram  op het product en/of in de bijbehorende documenten geeft aan dat dit apparaat niet als normaal huishoudelijk afval mag worden behandeld. Het product dient te worden afgegeven bij een officieel innamepunt voor elektrische en elektronische apparatuur om gerecycled te worden. Afvoer en verwerking moet worden uitgevoerd volgens plaatselijke milieu-regelgeving. Neem voor nadere informatie over inzamelen, verwerken en recyclen van dit product contact op met de betreffende afdeling van de lokale overheid, of de afdeling van uw leverancier die verantwoordelijkheid draagt voor afvalverwerking.

Toestel ontworpen, getest en gefabriceerd volgens:

- Veiligheid: EN/IEC 60335-1; EN/IEC 60335-2-31, EN/IEC 62233.
- Prestaties: EN/IEC 61591; ISO 5167-1; ISO 5167-3; ISO 5168; EN/IEC 60704-1; EN/IEC 60704-2-13; EN/IEC 60704-3; ISO 3741; EN 50564; IEC 62301.
- EMC: EN 55014-1; CISPR 14-1; EN 55014-2; CISPR 14-2; EN/IEC 61000-3-2; EN/IEC 61000-3-3. Suggesties voor correct gebruik om impact op het milieu te verkleinen: zet de afzuigkap aan op de laagste snelheid wanneer u gaat koken en laat hem na afloop nog een paar minuten doorlopen. Kies alleen een hogere snelheid bij grote hoeveelheden damp of rook en gebruik de hoge snelheid/snelheden (Boost) alleen voor extreme omstandigheden. Vervang tijdig de koolfilter(s) om de afzuiging van kookgeurtjes zo effectief mogelijk te houden. Vervang tijdig vetfilter(s) om de gevolgen van vetafzetting zo effectief mogelijk tegen te gaan. Gebruik buizen van de maximale doorsnede zoals vermeld in deze gids, voor optimale efficiëntie en minimale geluidproductie.

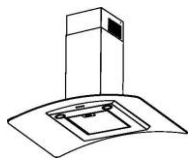
## STORINGEN



Bij een storing van de afzuigkap, voer de volgende controles uit alvorens de Technische Dienst te raadplegen:

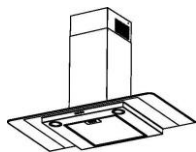
- Als de afzuigkap niet functioneert:  
Controleer of: Controleer dat:
  - er geen stroomonderbreking is.
  - er een snelheid is geselecteerd.
- Bij een laag rendement van de afzuigkap:  
Controleer of: Controleer dat:
  - de ingestelde snelheid volstaat voor de afgegeven hoeveelheid rook en dampen.
  - de keuken is voldoende geventileerd voor een correcte luchttoevoer.
  - de koolstoffilter niet is verzadigd (i.g.v. recirculatie).
- het uitvallen van de afzuigkap tijdens de normale werking heeft plaatsgevonden.  
Controleer of: Controleer dat:
  - er geen stroomonderbreking is.
  - de omnipolaire schakelaar niet is opgetreden.



In geval van storingen, voordat U zich tot de assistentie service wendt, minstens 5 seconden het apparaat van de elektrische voeding doen, door de stekker uit te trekken, en daarna weer invoeren. In het geval dat de storing blijft voortbestaan, wendt U zich tot de assistentie service.

## TECHNISCHE GEGEVENS



Hoogte (cm)	Breedte (cm)	Diepte (cm)	Ø van de afvoerbuīs (cm)
 60 - 113	89,8 - 69,8 - 59,8	45	15
 69 - 113			



Hoogte (cm)	Breedte (cm)	Diepte (cm)	Ø van de afvoerbuīs (cm)
 60 - 113	89,8 - 69,8 - 59,8	45	15
 69 - 113			

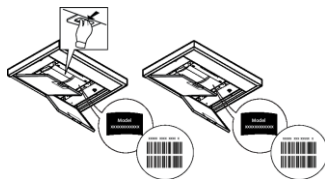


Niet meegeleverde onderdelen



U kunt de Veiligheidsinstructies, de Handleiding, de Productfiche en de Energiegegevens downloaden:

- Op onze website [docs.whirlpool.eu](https://docs.whirlpool.eu)
- Gebruik makend van de QR-code
- Anders, **contacteer onze Klantenservice** (Het telefoonnummer staat in het garantieboekje). Wanneer u contact neemt met de Klantenservice, gelieve de codes te vermelden die op het identificatieplaatje van het apparaat staan.



## SICUREZZA GENERALE

- Prima di qualsiasi operazione di pulizia o manutenzione, disinserire la cappa dalla rete elettrica togliendo la spina o staccando l'interruttore generale dell'abitazione.
  - Per tutte le operazioni di installazione e manutenzione utilizzare guanti da lavoro.
  - L'apparecchio può essere utilizzato da bambini di età non inferiore a 8 anni e da persone con ridotte capacità fisiche, sensoriali o mentali, o prive di esperienza o della necessaria conoscenza, purché sotto sorveglianza oppure dopo che le stesse abbiano ricevuto istruzioni relative all'uso sicuro dell'apparecchio e alla comprensione dei pericoli ad esso inerenti.
  - I bambini devono essere controllati affinché non giochino con l'apparecchio.
  - La pulizia e la manutenzione non deve essere effettuata da bambini senza sorveglianza.
  - Il locale deve disporre di sufficiente ventilazione, quando la cappa da cucina viene utilizzata contemporaneamente ad altri apparecchi a combustione di gas o altri combustibili.
  - La cappa va frequentemente pulita sia internamente che esternamente (ALMENO UNA VOLTA AL MESE), rispettare comunque quanto espressamente indicato nelle istruzioni di manutenzione. L'inosservanza delle norme di pulizia della cappa e della sostituzione e pulizia dei filtri comporta rischi di incendi.
  - E' severamente vietato fare cibi alla fiamma sotto la cappa.
  - Per la sostituzione della lampada utilizzare solo il tipo lampada indicato nella sezione manutenzione /sostituzione lampada di questo manuale.
- L'impiego di fiamma libera è dannoso ai filtri e può dar luogo ad incendi, pertanto deve essere evitato in ogni caso.
- La frittura deve essere fatta sotto controllo onde evitare che l'olio surriscaldato prenda fuoco.
- ATTENZIONE:** Quando il piano di cottura è in funzione le parti accessibili della cappa possono diventare calde.
- Non collegare l'apparecchio alla rete elettrica finché l'installazione non è totalmente completata.
  - Per quanto riguarda le misure tecniche e di sicurezza da adottare per lo scarico dei fumi attenersi strettamente a quanto previsto dai regolamenti delle autorità locali competenti.
  - L'aria aspirata non deve essere convogliata in un condotto usato per lo scarico dei fumi prodotti da apparecchi a combustione di gas o di altri combustibili.
  - Non utilizzare o lasciare la cappa priva di lampade correttamente montate per possibile rischio di scossa elettrica.
  - Mai utilizzare la cappa senza griglia correttamente montata!
  - La cappa non va MAI utilizzata come piano di appoggio a meno che non sia espressamente indicato.
  - Utilizzare solo le viti di fissaggio in dotazione con il prodotto per l'installazione o, se non in dotazione, acquistare il tipo di viti corretto.
  - Utilizzare la lunghezza corretta per le viti che sono identificati nella Guida all'installazione.
  - In caso di dubbio, consultare il centro di assistenza autorizzato o personale qualificato similare.

## ⚠ ATTENZIONE!

- La mancata installazione di viti e dispositivi di fissaggio in conformità di queste istruzioni può comportare rischi di natura elettrica.
- Non utilizzare con un programmatore, timer, telecomando separato o qualsiasi altro dispositivo che si attiva automaticamente.

Tenere i bambini di età inferiore a 3 anni lontani dall'apparecchio. Senza la sorveglianza costante di un adulto, tenere l'apparecchio fuori dalla portata dei bambini di età inferiore a 8 anni.

⚠ ATTENZIONE: l'apparecchio non è destinato ad essere messo in funzione mediante un dispositivo esterno o un sistema di comando a distanza separato.

⚠ Questo apparecchio non è destinato all'uso professionale. Non utilizzare l'apparecchio all'aperto.

⚠ Per evitare il rischio di lesioni personali, l'apparecchio deve essere movimentato e installato da due o più persone.

⚠ L'installazione, comprendente anche eventuali raccordi per l'alimentazione idrica (se previsti) e i collegamenti elettrici, e gli interventi di riparazione devono essere eseguiti da personale qualificato.

A installazione completata, conservare il materiale di imballaggio (parti in plastica, polistirolo, ecc.) fuori della portata dei bambini per evitare il rischio di soffocamento.

Non utilizzare l'apparecchio quando si è bagnati oppure a piedi nudi.

Mai utilizzare apparecchi per pulizia a vapore – rischio di shock elettrico.



Il materiale dell'imballo è riciclabile al 100% ed è contrassegnato con il simbolo del riciclo

**La cappa può avere estetiche differenti rispetto a quanto illustrato nei disegni di questo libretto, comunque le istruzioni per l'uso, la manutenzione e l'installazione rimangono le stesse.**

**Attenersi strettamente alle istruzioni riportate in questo manuale.** Si declina ogni responsabilità per eventuali inconvenienti, danni o incendi provocati all'apparecchio derivati dall'inosservanza delle istruzioni riportate in questo manuale. La cappa è concepita per l'aspirazione dei fumi e vapori della cottura ed è destinata al solo uso domestico.

- E' importante conservare tutti i manuali che accompagnano il prodotto per poterli consultare in ogni momento. In caso di vendita, di cessione o di trasloco, assicurarsi che restino insieme al prodotto.
- Leggere attentamente le istruzioni: ci sono importanti informazioni sull'installazione, sull'uso e sulla sicurezza.
- Non effettuare variazioni elettriche o meccaniche sul prodotto o sulle condotte di scarico.
- Verificare l'integrità della cappa prima di procedere con l'installazione. In caso contrario contattare il rivenditore e non proseguire con l'installazione.

La distanza minima fra la superficie di supporto dei recipienti sul dispositivo di cottura e la parte più bassa della cappa da cucina deve essere non inferiore a 50 cm in caso di cucine elettriche e di 65 cm in caso di cucine a gas o miste.

**Se le istruzioni di installazione del dispositivo di cottura a gas specificano una distanza maggiore, bisogna tenerne conto.**

## COLLEGAMENTO ELETTRICO

La tensione di rete deve corrispondere alla tensione riportata sull'etichetta caratteristiche situata all'interno della cappa. Se provvista di spina allacciare la cappa ad una presa conforme alle norme vigenti posta in zona accessibile anche dopo l'installazione. Se sprovvista di spina (collegamento diretto alla rete) o la spina non è posta in zona accessibile, anche dopo installazione, applicare un interruttore bipolare a norma che assicuri la disconnessione completa della rete nelle condizioni della categoria di sovratensione III, conformemente alle regole di installazione.

## ⚠ ATTENZIONE!


Prima di ricollegare il circuito della cappa all'alimentazione di rete e di verificarne il corretto funzionamento, controllare sempre che il cavo di rete sia stato montato correttamente.

Se il cavo non è provvisto di spina, collegare i fili attenendosi alla tabella seguente:

### Tensione e frequenza della rete

Fare riferimento al valore indicato nella etichetta caratteristiche all'interno della cappa.

### Collegamento fili

 : giallo/verde  
N : blu  
L : marrone

## Sostituzione del cavo di alimentazione

La cappa è provvista di un cavo alimentazione speciale; in caso di danneggiamento del cavo, richiederlo al servizio assistenza tecnica.

## SCARICO DELL'ARIA

(per le versioni aspiranti)

Collegare la cappa a tubi e fori di scarico a parete con diametro equivalente all'uscita d'aria (flangia di raccordo).

L'utilizzo di tubi e fori di scarico a parete con diametro inferiore determinerà una diminuzione delle prestazioni di aspirazione ed un drastico aumento della rumorosità.

Si declina perciò ogni responsabilità in merito.

! Usare un condotto lungo il minimo indispensabile.

! Usare un condotto con minor numero di curve possibile (angolo massimo della curva: 90°).

! Evitare cambiamenti drastici di sezione del condotto.

! L'azienda declina ogni responsabilità qualora queste norme non vengano rispettate.

## FILTRANTE O ASPIRANTE?

! La vostra cappa è pronta per essere utilizzata in versione aspirante.

Per utilizzare la cappa in versione filtrante va installato l'apposito KIT ACCESSORIO.

Verificate nelle prime pagine di questo manuale se il KIT ACCESSORIO è già fornito a corredo o va acquistato a parte.

**Nota:** Se fornito a corredo, in alcuni casi, il sistema di filtraggio aggiuntivo a base di carboni attivi potrebbe essere già installato sulla cappa.

Le informazioni per la trasformazione della cappa da versione aspirante a versione filtrante sono già contenute in questo manuale.

## Versione aspirante

I vapori vengono evacuati verso l'esterno tramite un tubo di scarico fissato alla flangia di raccordo.

### ATTENZIONE!

Il tubo di evacuazione non è fornito e va acquistato.

Il diametro del tubo di scarico deve essere equivalente al diametro dell'anello di connessione.

### ATTENZIONE!

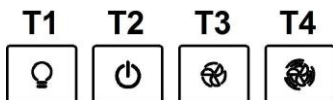
Se la cappa è provvista di filtro/i a carbone, questo/i deve/devono essere rimosso/i.

## Versione filtrante

L'aria aspirata verrà sgrassata e deodorata prima di essere riconvogliata nella stanza. Per utilizzare la cappa in questa versione è necessario installare un sistema di filtraggio aggiuntivo a base di carboni attivi.

## COMANDI

La cappa è fornita di un pannello comandi con un controllo delle velocità di aspirazione ed un controllo di accensione della luce per l'illuminazione del piano di cottura.



T1. Interruttore luce ON/OFF.

T2. Interruttore OFF/velocità 1

T3. Selezione velocità 2

T4. Selezione velocità 3

# MANUTENZIONE

## Pulizia

Per la pulizia usare **ESCLUSIVAMENTE** un panno inumidito con detersivi liquidi neutri. **NON UTILIZZARE UTENSILI O STRUMENTI PER LA PULIZIA!**

Evitare l'uso di prodotti contenenti abrasivi. **NON UTILIZZARE ALCOOL!**

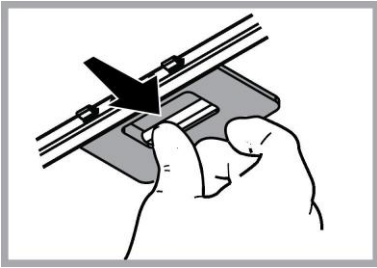
## Manutenzione dei filtri antigrasso

**Trattiene le particelle di grasso derivanti dalla cottura.**

Deve essere pulito una volta al mese (o quando il sistema di indicazione di saturazione dei filtri - se previsto sul modello in possesso - indica questa necessità), con detersivi non aggressivi, manualmente oppure in lavastoviglie a basse temperature ed a ciclo breve.

Con il lavaggio in lavastoviglie il filtro antigrasso metallico può scolorirsi ma le sue caratteristiche di filtraggio non cambiano assolutamente.

Per smontare il filtro grassi tirare la maniglia di sgancio a molla.



## Manutenzione del filtro al carbone

**Trattiene gli odori sgradevoli derivanti dalla cottura.**

La saturazione del filtro carbone si verifica dopo un uso più o meno prolungato a seconda del tipo di cucina e della regolarità della pulizia del filtro grassi. In ogni caso è necessario sostituire la cartuccia al massimo ogni quattro mesi (o quando il sistema di indicazione di saturazione dei filtri - se previsto sul modello in possesso - indica questa necessità).

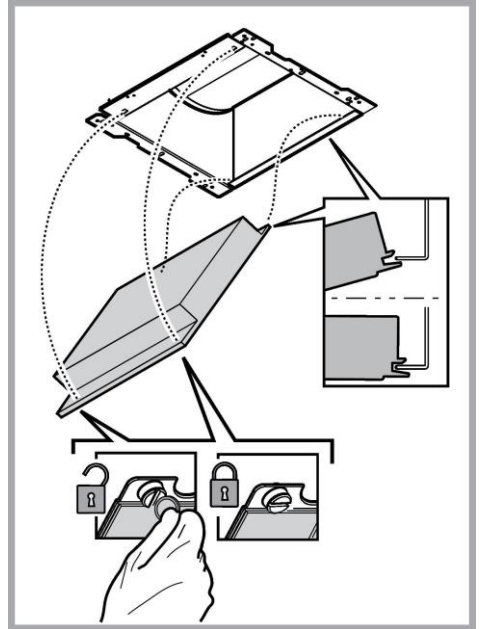
**NON** può essere lavato o rigenerato

### Montaggio

Agganciare il filtro ai carboni attivi prima posteriormente sulla linguetta metallica della cappa, poi anteriormente con i due pomelli.

### Smontaggio

Rimuovere il filtro ai carboni attivi girando di 90° i pomelli che lo fissano alla cappa.



## Sostituzione delle lampade

La cappa è dotata di un sistema di illuminazione basato sulla tecnologia LED.


I LED garantiscono una illuminazione ottimale, una durata fino a 10 volte maggiore delle lampade tradizionali e consentono di risparmiare il 90% di energia elettrica.

Per la sostituzione rivolgersi al servizio assistenza tecnica.

## SMALTIMENTO

Questo apparecchio è contrassegnato in conformità alla Direttiva Europea 2012/19/EC, Waste Electrical and Electronic Equipment (WEEE). Assicurandosi che questo prodotto sia smaltito in modo corretto, l'utente contribuisce a prevenire le potenziali conseguenze negative per l'ambiente e la salute.



Il simbolo  sul prodotto o sulla documentazione di accompagnamento indica che questo prodotto non deve essere trattato come rifiuto domestico ma deve essere consegnato presso l'idoneo punto di raccolta per il riciclaggio di apparecchiature elettriche ed elettroniche. Disfarsene seguendo le normative locali per lo smaltimento dei rifiuti. Per ulteriori informazioni sul trattamento, recupero e riciclaggio di questo prodotto, contattare l'idoneo ufficio locale, il servizio di raccolta dei rifiuti domestici o il negozio presso il quale il prodotto è stato acquistato.

Apparecchiatura progettata, testata e realizzata nel rispetto delle norme sulla:

- Sicurezza: EN/IEC 60335-1; EN/IEC 60335-2-31, EN/IEC 62233.
- Prestazione: EN/IEC 61591; ISO 5167-1; ISO 5167-3; ISO 5168; EN/IEC 60704-1; EN/IEC 60704-2-13; EN/IEC 60704-3; ISO 3741; EN 50564; IEC 62301.
- EMC: EN 55014-1; CISPR 14-1; EN 55014-2; CISPR 14-2; EN/IEC 61000-3-2; EN/IEC 61000-3-3. Suggestioni per un corretto utilizzo al fine di ridurre l'impatto ambientale: Quando iniziate a cucinare, accendere la cappa alla velocità minima, lasciandola accesa per alcuni minuti anche dopo il termine della cottura. Aumentare la velocità solo in caso di grandi quantità di fumo e vapore, utilizzando la funzione booster solo in casi estremi. Per mantenere ben efficiente il sistema di riduzione degli odori, sostituire, quando è necessario, il/i filtro/i carbone. Per mantenere ben efficiente il filtro del grasso, pulirlo in caso di necessità. Per ottimizzare l'efficienza e minimizzare i rumori, utilizzare il diametro massimo del sistema di canalizzazione indicato in questo manuale.

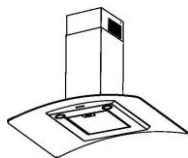
## ANOMALIE DI FUNZIONAMENTO



Se qualcosa non sembra funzionare, prima di chiamare il Servizio Assistenza effettuare i seguenti semplici controlli:

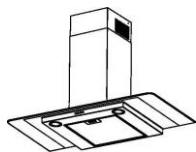
- Se la cappa non funziona:  
Verificare che:
  - non c'è interruzione di corrente.
  - è stata selezionata una velocità.
- Se la cappa ha un rendimento scarso:  
Verificare che:
  - La velocità motore selezionata è sufficiente per la quantità di fumo e di vapori liberata.
  - La cucina è sufficientemente areata per permettere una presa d'aria.
  - Il filtro carbone non è consumato (cappa in versione filtrante).
- Se la cappa si è spenta nel corso del normale funzionamento:  
Verificare che:
  - non c'è interruzione di corrente.
  - il dispositivo di interruzione omnipolare non è scattato.



In caso di eventuali anomalie di funzionamento, prima di rivolgerVi al servizio assistenza scollegate per almeno 5 sec. l'apparecchio dall'alimentazione elettrica estraendo la spina e collegatelo poi nuovamente. Nel caso in cui l'anomalia di funzionamento dovesse perdurare, rivolgersi al servizio d'assistenza.

## DATI TECNICI



Altezza (cm)	Larghezza (cm)	Profondità (cm)	Ø del tubo di scarico (cm)
 60 - 113	89,8 - 69,8 - 59,8	45	15
 69 - 113			



Altezza (cm)	Larghezza (cm)	Profondità (cm)	Ø del tubo di scarico (cm)
 60 - 113	89,8 - 69,8 - 59,8	45	15
 69 - 113			

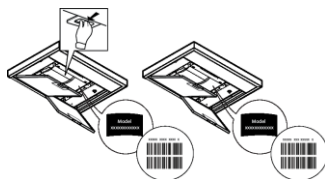


Componenti non in dotazione con il prodotto



Per scaricare le istruzioni di sicurezza, il manuale d'uso, la scheda tecnica e i dati energetici:

- Visitare il sito web [docs.whirlpool.eu](http://docs.whirlpool.eu)
- Usare il codice QR
- Oppure, **contattare il Servizio Assistenza** (al numero di telefono riportato sul libretto di garanzia). Quando si contatta il Servizio Assistenza, fornire i codici presenti sulla targhetta matricola del prodotto.





## SEGURIDAD GENERAL

- Antes de llevar a cabo cualquier operación de limpieza o mantenimiento, desconectar la campana de la alimentación eléctrica desenchufando la clavija o desconectando el interruptor general de la vivienda.
- Para todas las operaciones de instalación y mantenimiento utilizar los guantes de trabajo.
- El aparato puede ser usado por niños mayores a 8 años y por personas con discapacidades físicas, sensoriales o mentales, o con falta de experiencia o de conocimiento necesario, previsto que estén bajo vigilancia o después de que las mismas hayan recibido instrucción relacionada con el uso seguro del aparato y de la comprensión de los peligros inherentes a éste.
- Los niños deben ser supervisados para asegurarse de que no jueguen con el aparato.
- La limpieza y el mantenimiento no deben ser realizados por niños sin debida supervisión.
- La habitación debe estar suficientemente ventilada cuando la campana se utiliza contemporáneamente con otros dispositivos a combustión de gas u otros combustibles.
- La campana debe ser limpiada con frecuencia, tanto internamente como externamente (POR LO MENOS UNA VEZ AL MES), en todo caso seguir lo que se indica expresamente en las instrucciones de mantenimiento.
- La inobservancia de las normas de limpieza de la campana y del cambio y la limpieza puede comportar riesgo de incendios.
- Es estrictamente prohibido flamear los alimentos bajo la campana.
- Para la sustitución de la lámpara sólo utilizar el tipo de lámpara indicado en la sección de mantenimiento/sustitución de este manual.

El uso de una llama libre es perjudicial para los filtros y puede provocar incendios, por lo tanto, debe evitarse en cualquier caso.

Los fritos debe realizarse con cuidado para evitar que el aceite caliente prenda fuego.

**ATENCIÓN:** Cuando la placa de cocción está funcionando las partes accesibles de la campana pueden calentarse.

- No conectar la unidad a la red eléctrica hasta que la instalación sea totalmente completada.
- En cuanto a las medidas técnicas y de seguridad a adoptar para la descarga de los humos, seguir estrictamente lo previsto por los reglamentos de las autoridades locales competentes.
- El aire aspirado no debe ser transportado en un conducto usado para la descarga de humos producidos por dispositivos de combustión a gas u otros combustibles.
- No utilizar ni dejar la campana sin las luces correctamente instaladas debido al posible riesgo de descarga eléctrica.
- No utilizar nunca la campana sin la rejilla montada correctamente!
- La campana NUNCA debe utilizarse como una superficie de apoyo a menos que así se indique específicamente.
- Utilizar sólo los tornillos para fijación suministrados con el producto para su instalación, o, si no se suministran, comprar el tipo correcto de tornillos. Utilizar la longitud correcta para los tornillos que se identifican en la Guía de instalación.
- En caso de duda, consultar el centro de asistencia autorizado o un similar personal calificado.

### ¡ATENCIÓN!

- Si no se instalan los tornillos y elementos de fijación de acuerdo con estas instrucciones se puede incurrir en riesgos de naturaleza eléctricos.

- No utilizar con un programador, temporizador, mando a distancia separado o cualquier otro dispositivo que se active automáticamente.

Mantener a los niños menores de 3 años alejados del equipo. Sin la vigilancia constante de un adulto, mantener el equipo alejado del alcance de niños menores de 8 años.

**⚠ ATENCIÓN:** el equipo no está destinado para ser puesto en funcionamiento mediante un dispositivo externo o un sistema de mando a distancia separado.

**⚠** Este equipo no está destinado al uso profesional. No utilizar el equipo al abierto.

**⚠** Para evitar el riesgo de lesiones personales, el equipo debe ser movilizado e instalado por dos o más personas.

**⚠** La instalación, incluye además eventuales empalmes para la alimentación hídrica (si están previstos) y las conexiones eléctricas, y las intervenciones de reparación deben ser realizadas por personal cualificado.

Al finalizar la instalación, conservar el material de embalaje (partes en plástico, polistireno, etc.) fuera del alcance de los niños para evitar el riesgo de asfixia. .

No utilizar el equipo cuando se está mojado o descalzo.

Nunca utilizar equipos para limpieza a vapor – riesgo de descarga eléctrica.



El material del embalaje es reciclable al 100% y está marcado con el símbolo de reciclaje

**La campana puede ser diferente con respecto a los dibujos de este manual, aunque las instrucciones para su uso, la manutención y la instalación son las mismas.**

**Aténgase estrictamente a las instrucciones del presente manual.** Se declina cada responsabilidad por eventuales inconvenientes, daños o incendios provocados al aparato originados por la inobservancia de las instrucciones colocadas en este manual. La campana extractora ha sido ideada para la aspiración de humos y vapores producidos durante la cocción y para el uso doméstico.

- Es importante guardar este manual para poder consultar si fuera necesario. En el caso de venta, de inutilidad o de mudanza, asegurarse que quede junto al producto.
- Leer atentamente las instrucciones: contiene importantes informaciones sobre la instalación, el uso y la seguridad.
- No realizar variaciones eléctricas o mecánicas en el producto o en el tubo de escape.
- Antes de instalar el aparato, controlar que todas sus partes no estén dañadas. En caso contrario llamar al revendedor y no realizar la instalación.

La distancia mínima entre la superficie de cocción y la parte más baja de la campana no debe ser inferior a 50cm en el caso de cocinas eléctricas y de 65cm en el caso de cocinas a gas o mixtas.

**Si las instrucciones para la instalación del dispositivo para cocinar con gas especifican una distancia mayor, hay que tenerlo en consideración.**

## CONEXIÓN ELÉCTRICA

La tensión de red debe corresponder con la tensión indicada en la etiqueta colocada en el interior de la campana. Si es suministrada con un enchufe, conectar la campana a un enchufe conforme a las normas en vigor y colocarlo en una zona accesible, aun después de la instalación. Si no es suministrada con enchufe (conexión directa a la red) o clavija y no es posible situarla en un lugar accesible, aun después de la instalación, colocar un interruptor bipolar de acuerdo con las normativas, para asegurarse la desconexión completa a la red en el caso de la categoría de alta tensión III, conforme con las reglas de instalación.

### ⚠ ATENCIÓN!


Antes de reconectar el circuito de la campana a la red y de verificar el correcto funcionamiento, controlar siempre que el cable de red fue montado correctamente.

Si el cable no dispone de enchufe, conecte los cables tal como indica la siguiente tabla:

#### Tensión y frecuencia de la red eléctrica

Consultar el valor indicado en la etiqueta de características dentro de la campana.

#### Conexión por cable

 : amarillo/verde

N : azul

L : marrón

## Sustitución del cable de alimentación

La campana está provista de un cable de alimentación especial; si el cable se daña, solicite uno nuevo al Servicio de Asistencia Técnica.

## EXTRACCIÓN DE AIRE

(Para las versiones aspirantes) Conectar la campana en los tubos y en los orificios de escape de pared con diámetro equivalente a la salida del aire (brida de empalme).

El uso de tubos u orificios de escape de pared con diámetro inferior, determinará una reducción de los rendimientos de la aspiración y un drástico aumento del ruido.

Se deslinda responsabilidad.

- ! Utilice un conducto cuya longitud sea la mínima indispensable.
- ! Utilice un conducto con el menor número posible de curvas (ángulo máximo de la curva: 90°).
- ! Evite los cambios drásticos en la sección del conducto
- ! La empresa declina cada responsabilidad en caso de que estas normas no sean respetadas!

## ¿ FILTRANTE O ASPIRANTE ?

! Su campana extractora está lista para ser usada en versión aspirante.

Para utilizar la campana en versión filtrante se instala el KIT ACCESORIO.

Controle en las primeras paginas de este manual si el KIT ACCESORIO ya está proveído o si hay que comprarlo.

**Nota:** Si proveído, en algunos casos, el sistema de filtración añadido a base de carbones activos podría estar ya instalado en la campana.

Las informaciones para la transformación de la campana en versión aspirante a versión filtrante ya están presentes en este manual.

## Versión aspirante

El vapor es evacuado hacia el exterior a través de un tubo de escape introducido en el aro de sujeción que se encuentra arriba de la campana.

### ⚠ ATENCIÓN!

El diametro del tubo de escape debe ser igual al diametro del aro de sujeción.

### ⚠ ATENCIÓN!

Si la campana está provista de filtro de carbón, hay que sacarlo.

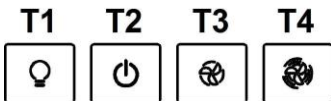
## Versión filtrante

El aire aspirado vendrá desgrasado y desodorizado antes de ser alimentado de nuevo en la habitación.

Para utilizar la campana en esta versión es necesario instalar un sistema de filtración adicional a base de carbón activado.

## MANDOS

La campana está dotada de un panel de mandos con control de las velocidades de aspiración y control de encendido de la luz para la iluminación del plano de cocción.



- T1. Interruptor luz ON/OFF.
- T2. Interruptor OFF/ velocidad 1
- T3. Selección velocidad 2
- T4. Selección velocidad 3

# MANTENIMIENTO

## Limpeza

Para la limpieza, utilice **EXCLUSIVAMENTE** un paño impregnado de detergente líquido neutro. **¡NO UTILICE UTENSILIOS O INSTRUMENTOS PARA LA LIMPIEZA!** No utilice productos que contengan abrasivos. **¡NO UTILICE ALCOHOL! ¡NO UTILICE DESINFECTANTES NI PRODUCTOS QUE CONTENGAN CLORO!**

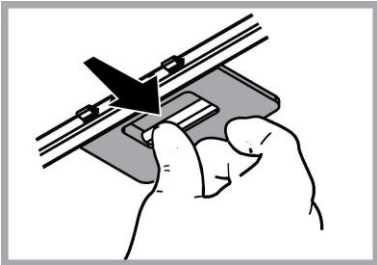
## Mantenimientos de los filtros antigrasa

**Retiene las partículas de grasa producidas cuando se cocina.**

Debe limpiarse una vez al mes (o cuando el sistema de indicación de saturación de los filtros - si está previsto en el modelo que se posee - indica esta necesidad) con detergentes no agresivos, manualmente con un cepillo de cerdas suaves o bien en lavavajillas a bajas temperaturas y con ciclo breve.

Con el lavado en el lavavajilla el filtro antigrasa metálico puede desteñirse pero sus características de filtrado no cambian absolutamente.

Para desmontar el filtro antigrasa, tirar de la manija de desenganche de muelle.



## Mantenimiento del filtro al carbón

**Retiene los olores desagradables producidos por la cocción de alimentos.**

El filtro de carbón activado se satura después de un tiempo de uso, dependiendo del tipo de cocción de alimentos y la regularidad con que se limpia el filtro de grasa. En cualquier caso es necesario sustituir el cartucho al menos cada 4 meses (o cuando el sistema de indicación de saturación de los filtros - si está previsto en el modelo que se posee - indica esta necesidad).

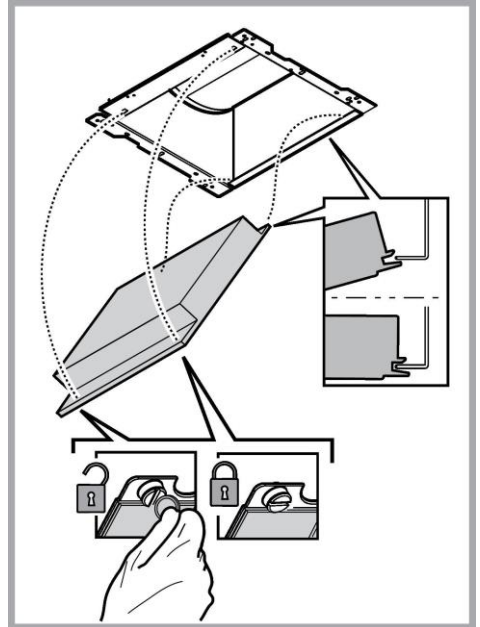
**NO puede lavarse o reciclarse.**

### Montaje

Enganchar el filtro de carbón activo primero, posteriormente sobre la pestaña metálica de la campana, y después en la parte anterior con las dos perillas.

### Desmontaje

Quitar el filtro de carbón activo girando 90° grados las perillas que lo fijan a la campana.



## Sustitución de la lámpara

La campana viene provista de un sistema de iluminación basado en la tecnología LED.

Los LEDS garantizan una óptima iluminación, una duración hasta 10 veces mayor de las lámparas tradicionales y permiten ahorrar el 90% de energía eléctrica. .


Para la sustitución dirigirse al servicio asistencia técnica .

# ELIMINACIÓN

Este aparato lleva el marcado CE en conformidad con la Directiva 2012/19/EC del Parlamento Europeo y del Consejo sobre residuos de aparatos eléctricos y electrónicos (RAEE).

La correcta eliminación de este producto evita consecuencias negativas para el medioambiente y la salud.



El símbolo  en el producto o en los documentos que se incluyen con el producto, indica que no se puede tratar como residuo doméstico. Es necesario entregarlo en un punto de recogida para reciclar aparatos eléctricos y electrónicos.

Deséchelo con arreglo a las normas medioambientales para eliminación de residuos.

Para obtener información más detallada sobre el tratamiento, recuperación y reciclaje de este producto, póngase en contacto con su Municipalidad, con el servicio de eliminación de residuos urbanos o la tienda donde adquirió el producto.

Aparato diseñado, probado y fabricado de acuerdo con:

- Seguridad: EN/IEC 60335-1; EN/IEC 60335-2-31, EN/IEC 62233.
- Prestación: EN/IEC 61591; ISO 5167-1; ISO 5167-3; ISO 5168; EN/IEC 60704-1; EN/IEC 60704-2-13; EN/IEC 60704-3; ISO 3741; EN 50564; IEC 62301.
- EMC: EN 55014-1; CISPR 14-1; EN 55014-2; CISPR 14-2; EN/IEC 61000-3-2; EN/IEC 61000-3-3. Sugerencias para un uso correcto con el fin de reducir el impacto ambiental: Encienda la campana a la velocidad mínima cuando empiece a cocinar y mantenga en marcha durante unos minutos después de haber acabado de cocinar. Aumente la velocidad solo si se produjera una gran cantidad de humo y vapor y use la velocidad o velocidades turbo solo en situaciones extremas. Cambie el filtro o filtros de carbón cuando sea necesario para mantener un buen rendimiento en la reducción de los olores. Limpie el filtro o filtros de grasa cuando sea necesario para mantener un buen rendimiento del filtro de grasa. Utilice el diámetro máximo del sistema de conductos indicado en este manual, para optimizar el rendimiento y minimizar el ruido.

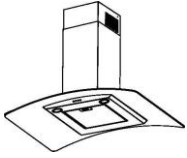
## ANOMALÍAS DE FUNCIONAMIENTO

Si alguna pieza parece no funcionar, realice los siguientes controles antes de llamar al Servicio de Asistencia:

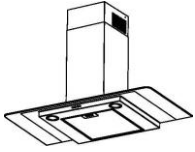
- Si la campana no funciona:  
Compruebe que:
  - no haya interrupciones de corriente.
  - se haya seleccionado una velocidad.
- Si la campana presenta un rendimiento escaso:  
Compruebe que:
  - La velocidad del motor seleccionada es suficiente para la cantidad de humo y vapores emitida.
  - La cocina está suficientemente ventilada para permitir una toma de aire.
  - el filtro de carbón no está gastado (campana en versión filtrante).
- Si la campana se ha apagado durante el funcionamiento normal:  
Compruebe que:
  - no haya interrupciones de corriente.
  - el dispositivo de interrupción omnipolar no se ha disparado.

En caso de eventuales anomalías en el funcionamiento, antes de dirigirse al servicio de asistencia, desconectar el aparato de la alimentación eléctrica, extrayendo el enchufe al menos durante 5 segundos, y después conectarlo nuevamente. Si la anomalía de funcionamiento no desaparece, dirigirse al servicio de asistencia.

# DATOS TÉCNICOS



Altura (cm)	Ancho (cm)	Profundidad (cm)	Ø del tubo de salida (cm)
60 - 113	89,8 - 69,8 - 59,8	45	15
69 - 113			



Altura (cm)	Ancho (cm)	Profundidad (cm)	Ø del tubo de salida (cm)
60 - 113	89,8 - 69,8 - 59,8	45	15
69 - 113			

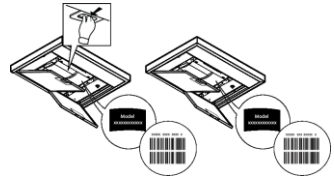


Componentes no suministrados con el producto



Puede descargarse las Instrucciones de seguridad, el Manual del usuario, la Ficha del producto y los Datos de energía:

- Visitando nuestra página web [docs.whirlpool.eu](http://docs.whirlpool.eu)
- Usando el código QR
- También puede, **ponerse en contacto con nuestro Servicio postventa** (Consulte el número de teléfono en el folleto de la garantía). Cuando se ponga en contacto con nuestro Servicio Postventa, deberá indicar los códigos que figuran en la placa de características de su producto.



## SEGURANÇA GERAL

- Antes de fazer qualquer operação de limpeza ou de manutenção, deve-se desligar o exaustor da rede elétrica retirando a tomada ou desligando a alimentação da rede elétrica.
  - Usar sempre luvas de trabalho para todas as operações de instalação e manutenção.
  - Este aparelho pode ser usado por crianças a partir de 8 anos de idade e por pessoas com reduzidas capacidades físicas, sensoriais e mentais, ou falta de experiência e conhecimento, desde que sejam supervisionadas ou se tiverem recebido as necessárias instruções relativas ao uso em segurança do aparelho e que tenham conhecimento dos riscos envolvidos.
  - As crianças não devem ser autorizadas a manipular os comandos ou a brincar com o aparelho.
  - A limpeza e a manutenção não devem ser feitas por crianças sem supervisão.
  - O local onde o aparelho será instalado, deve ser suficientemente ventilado, quando o exaustor for utilizado em conjunto com outros dispositivos de combustão de gás ou outros combustíveis.
  - O exaustor deve ser limpo regularmente, interna e externamente (PELO MENOS UMA VEZ POR MÊS), respeitando expressamente as indicações no manual, nas instruções de manutenção.
  - A inobservância das normas de limpeza do aparelho e da substituição e limpeza dos filtros comporta riscos de incêndio.
  - É severamente proibido colocar alimentos diretamente na chama, sob o exaustor.
  - Para a substituição da lâmpada, utilizar apenas o tipo de lâmpada indicado na secção de Manutenção/Substituição de lâmpadas deste manual.
- O uso de chama livre causa danos aos filtros e pode originar incêndios, portanto, deve ser evitado em quaisquer circunstâncias.
- Os alimentos fritos devem ser feitos sob controle, para evitar que o óleo sobreaqueça e se incendeie.
- CUIDADO:** Peças acessíveis do exaustor podem queimar quando utilizado com a placa de fogão.
- Não ligar o aparelho à rede elétrica até que a instalação esteja totalmente concluída.
  - Relativamente às medidas técnicas e de segurança a serem adotadas para a descarga de fumos, é importante respeitar rigorosamente os regulamentos fornecidos pelas autoridades locais.
  - O sistema de condutas deste aparelho não pode ser conectado a outro sistema de ventilação já existente que esteja a ser usado para qualquer outra finalidade, como descarga de fumos de aparelhos a gás ou outros combustíveis.
  - Não utilizar ou deixar o exaustor sem lâmpadas corretamente montadas, devido ao possível risco de choques elétricos.
  - Nunca utilizar o exaustor sem as grades montadas corretamente.
  - O exaustor NUNCA deve ser utilizado como uma superfície de apoio, a menos que seja especificamente indicado.
  - Usar somente os parafusos de fixação fornecidos com o aparelho, para a instalação, ou, se não for fornecido, comprar o tipo de parafuso correto.
  - Usar o comprimento correto para os parafusos que são identificados no Guia de Instalação.
  - Em caso de dúvida, consultar um centro de assistência autorizado ou técnico qualificado.

## ⚠️ ATENÇÃO!

- A falta de instalação de parafusos ou dispositivos de fixação em conformidade com estas instruções, pode resultar em riscos elétricos.
- Não utilizar com um programador, temporizador, telecomando separado ou qualquer outro dispositivo que se ative automaticamente.

Manter as crianças menores de 3 anos afastadas do aparelho. Quando não vigiadas por um adulto, as crianças menores de 8 anos devem ser mantidas afastadas do aparelho.

⚠️ **ATENÇÃO:** o aparelho não deve ser operado mediante um dispositivo externo ou através dum sistema de comando à distância separado.

⚠️ Este aparelho não se destina ao uso profissional. Não utilizar o aparelho ao ar livre.

⚠️ Para evitar o risco de ferimentos pessoais, o aparelho deve ser movido e instalado por duas ou mais pessoas.

⚠️ A instalação - incluindo também quaisquer conexões para fornecimento de água (caso previsto) e as ligações elétricas - e as operações de reparação devem ser realizadas por pessoal qualificado.

Uma vez concluída a instalação, o material de embalagem (peças de plástico, poliestireno, etc.) deve ser mantido fora do alcance das crianças para evitar o risco de asfixia. .

Não utilizar o aparelho quando estiver molhado ou descalço.

Nunca utilizar um aparelho de limpeza a vapor para limpar o aparelho - risco de choque elétrico.



O material de embalagem é 100% reciclável e está marcado com o símbolo da reciclagem

**O exaustor pode ser esteticamente diferente do modelo ilustrado neste manual, no entanto as instruções de uso, manutenção e instalação são as mesmas.**

**Siga especificamente as instruções indicadas neste manual.** Declina-se qualquer responsabilidade por eventuais inconvenientes, danos ou incêndios provocados ao aparelho, derivantes da inobservância das instruções indicadas neste manual. O exaustor foi concebido para a aspiração de fumos e vapores de cozedura e é destinado exclusivamente para uso doméstico.

- É importante conservar este manual para eventuais consultas futuras.  
Em caso de venda ou mudança, certifique-se que o manual acompanha o produto.
- Leia cuidadosamente as instruções: apresentam importantes informações sobre a instalação, uso e segurança.
- Não efectue variações elétricas ou mecânicas no produto ou nos tubos de fuga.
- Antes de prosseguir com a instalação do aparelho, verifique se todos os componentes não estão danificados. Caso contrário, contacte o seu fornecedor e não prossiga com a instalação.

A distância mínima entre a superfície de suporte dos recipientes sobre o fogão e a parte mais baixa do exaustor não deve ser inferior a 50cm no caso de fogões elétricos e 65 cm no caso de fogões a gás ou combinados.

**Se as instruções de instalação do fogão a gás especificarem uma distância maior, deve-se levar em conta esta indicação.**

## CONEXÃO ELÉTRICA

A voltagem da rede elétrica deve corresponder com a voltagem indicada na etiqueta das características, situada no interior do exaustor. Se dotado de ficha, conectar o exaustor a uma tomada, em conformidade com as normas vigentes, posta em zona acessível, mesmo depois da instalação. Se não tiver ficha (conexão direta à rede) ou a tomada não se encontrar numa zona acessível, mesmo depois da instalação, aplicar um interruptor bipolar, em conformidade com a norma que assegure a desconexão completa da rede nas condições da categoria de sobretensão III, de acordo com as regras de instalação.

## ⚠️ ATENÇÃO!


Antes de conectar novamente o circuito do exaustor com a alimentação elétrica, verificar o seu funcionamento, e verificar se o cabo de rede está montado corretamente.

Se o cabo não estiver equipado com uma ficha, ligue os cabos de acordo com a tabela seguinte:

### Tensão da rede elétrica e frequência

Consultar o valor indicado na etiqueta de características no interior do exaustor.

### Ligação de cabo

 : amarelo/verde  
N : azul  
L : castanho



## Substituição do cabo de alimentação

O exaustor está equipado com um cabo de alimentação especial; no caso do cabo ficar danificado, efetuar um pedido ao serviço de assistência técnica.

## SAÍDA DO AR

(para as versões aspirantes)

Conectar o exaustor aos tubos e orifícios de descarga da parede com diâmetro equivalente à saída de ar (falange de união).

O uso de tubos ou orifícios de descarga de parede com diâmetro inferior, pode provocar a diminuição do desempenho de aspiração e um drástico aumento do ruído.

Não nos responsabilizamos a este respeito.

! Utilizar um tubo condutor com comprimento não inferior ao indicado.

! Utilizar um tubo condutor com o menor número possível de curvas (ângulo máximo da curva: 90°C).

! Evitar alterações drásticas da seção do tubo (diâmetro).

! Caso estas normas não sejam respeitadas a empresa declina qualquer responsabilidade.

## FILTRANTE OU ASPIRANTE ?

! O seu exaustor está pronto para ser utilizado na versão aspirante.

Para utilizar o exaustor na versão filtrante deve ser instalado um KIT ACESSÓRIO apropriado.

Verifique nas primeiras páginas deste manual se o KIT ACESSÓRIO já vem fornecido ou se deve ser comprado separadamente.

**Nota:** Se for fornecido com o equipamento, em alguns casos, o sistema de filtragem adjunta à base de carvão activo pode já estar instalado no exaustor.

As informações para a transformação do exaustor da versão aspirante à versão filtrante já estão contidas neste manual.

## Versão aspirante

Os vapores são evacuados para o exterior, por meio de um tubo de descarga fixado à falange de conexão que se encontra sobre o exaustor.

### ATENÇÃO!

O diâmetro do tubo de descarga deve ser equivalente ao diâmetro do anel de conexão.

### ATENÇÃO!

Se o exaustor for dotado de filtros de carvão ativo, estes deverão ser retirados.

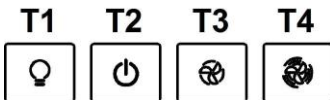
## Versão filtrante

O ar aspirado será desengordurado e desodorizado antes de ser recanalizado de volta para o ambiente.

Para usar o exaustor nesta versão é necessário instalar um sistema de filtragem adicional à base de carvão ativado.

## COMANDOS

O exaustor vem equipado com um painel de comandos com um controlo de velocidade de aspiração e um controlo para acender a luz de iluminação do plano de cozedura.



T1. Interruptor luz ON/OFF.

T2. Interruptor OFF/velocidade 1

T3. Selecção velocidade 2

T4. Selecção velocidade 3

# MANUTENÇÃO

## Limpeza

Para a limpeza, utilizar um pano humedecido com detergentes líquidos neutros. Evitar o uso de produtos contendo abrasivos. **NÃO UTILIZE ÁLCOOL!**

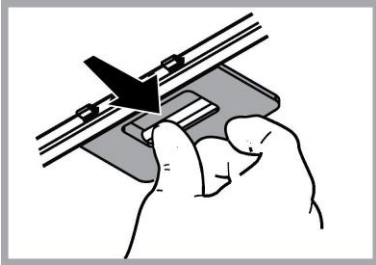
## Manutenção dos filtros anti-gordura

**Capta as partículas de gordura provenientes da cozedura.**

O Filtro de gordura deve ser limpo uma vez por mês (ou quando o sistema de indicação da saturação dos filtros - se previsto no modelo adquirido – indicar esta necessidade), com detergentes não agressivos. O filtro pode ser lavado manualmente ou em máquina de lavar louça a baixas temperaturas e com ciclo breve.

O filtro metálico para a gordura pode perder cor com as lavagens na máquina da louça, mas suas características de filtração não se alteram.

Para desmontar o filtro antigordura puxe o puxador de libertação com mola.



## Manutenção do filtro a carvão

**Retém os odores desagradáveis produzidos durante a preparação de alimentos.**

A saturação do filtro de carvão activado se verifica após um uso mais ou menos prolongado em função do tipo de cozinha e da regularidade da limpeza do filtro de gorduras. Em todo caso, é necessário substituir o cartucho no máximo cada 4 meses (ou quando o sistema de indicação da saturação dos filtros - se previsto no modelo que se possui – indicar esta necessidade).

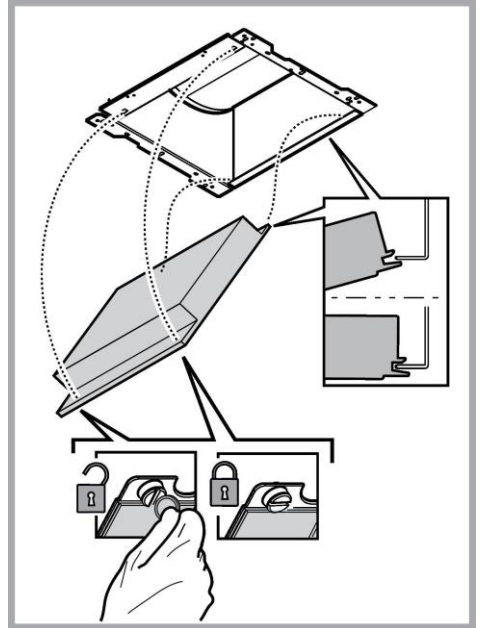
**NÃO** pode ser lavado ou regenerado.

### Montagem:

Coloque o gancho do filtro de carvão ativo, primeiro na parte de trás da lingueta metálica do exaustor e depois na parte dianteira com os dois botões.

### Desmontagem:

Remova o filtro de carvão ativo rodando 90° os botões que o fixam ao exaustor.



## Substituição das lâmpadas

O exaustor é fornecido com um sistema de iluminação baseado na tecnologia LED.

Os LED garantem uma iluminação melhor e uma duração de até 10 vezes maior que as lâmpadas tradicionais e economizam 90% de energia elétrica.

Para substituir, contactar o serviço de assistência técnica.

# ELIMINAÇÃO

Este aparelho está classificado de acordo com a Diretiva Europeia 2012/19/EC sobre Resíduos de equipamento elétrico e eletrónico (REEE).

Ao garantir a eliminação adequada deste produto, estará a ajudar a evitar potenciais consequências negativas para o ambiente e para a saúde pública, que poderiam derivar de um manuseamento de dispersão inadequada deste produto.



O símbolo  no produto ou nos documentos que acompanham o produto, indica que este aparelho não pode receber um tratamento semelhante ao de uma dispersão doméstica.

Pelo contrário, deverá ser depositado no respectivo centro de recolha para a reciclagem de equipamento elétrico e eletrónico.

A eliminação deverá ser efetuada em conformidade com as normas ambientais locais para a eliminação de desperdícios.

Para obter informações mais detalhadas sobre o tratamento, a recuperação e a reciclagem deste produto, contate o Departamento na sua localidade, o seu serviço de eliminação de desperdícios domésticos ou a loja onde adquiriu o produto.

Aparelho projetado, testado e fabricado de acordo com:

- Segurança: EN/IEC 60335-1; EN/IEC 60335-2-31, EN/IEC 62233.
- Desempenho: EN/IEC 61591; ISO 5167-1; ISO 5167-3; ISO 5168; EN/IEC 60704-1; EN/IEC 60704-2-13; EN/IEC 60704-3; ISO 3741; EN 50564; IEC 62301.
- EMC: EN 55014-1; CISPR 14-1; EN 55014-2; CISPR 14-2; EN/IEC 61000-3-2; EN/IEC 61000-3-3. Sugestões para uma utilização correta, de modo a reduzir o impacto ambiental: LIGUE o exaustor na velocidade mínima quando começar a cozinhar e mantenha-o em função por mais alguns minutos após ter terminado. Aumente a velocidade somente em caso de muito fumo ou vapor e use as velocidades altas somente em situações extremas. Substitua o(s) filtro(s) a carvão quando necessário, para manter uma boa eficiência na redução dos odores. Limpe o(s) filtro(s) de gordura quando necessário para manter uma boa eficiência. Use o diâmetro máximo do sistema de condutas indicado neste manual para otimizar a eficiência e minimizar o ruído.

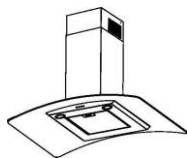
## ANOMALIAS DE FUNCIONAMENTO

Se algo parece não funcionar, antes de contactar o Serviço de Assistência efectuar seguintes controlos simples:

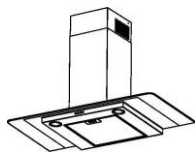
- Se o exaustor não funcionar:  
Verificar que:
  - não há interrupção de corrente.
  - foi seleccionada uma velocidade.
- Se o exaustor tiver uma performance fraca:  
Verificar que:
  - A velocidade do motor seleccionada é suficiente para a quantidade de fumo e vapores libertada.
  - O fogão é suficientemente arejado para permitir uma tomada de ar.
  - O filtro de carvão não está gasto (exaustor em versão filtrante).
- Se o exaustor desligar durante o funcionamento normal:  
Verificar que:
  - não há interrupção de corrente.
  - o dispositivo de corte omnipolar não disparou.

Se o exaustor não funcionar correctamente, retirar a ficha para desligá-lo por um breve período da rede eléctrica principal (pelo menos 5 seg.). Em seguida colocar novamente a ficha e experimentar mais uma vez antes de contactar o Serviço de assistência técnica. Se o problema de funcionamento persistir, contacte o serviço de assistência.

## DADOS TÉCNICOS



Altura (cm)	Largura (cm)	Profundidade (cm)	Ø do tubo de descarga (cm)
60 - 113	89,8 - 69,8 - 59,8	45	15
69 - 113			



Altura (cm)	Largura (cm)	Profundidade (cm)	Ø do tubo de descarga (cm)
60 - 113	89,8 - 69,8 - 59,8	45	15
69 - 113			

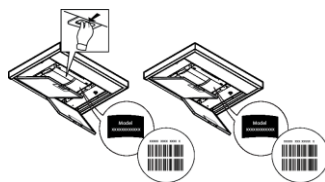


Componentes não fornecidas com o produto.



**Pode transferir as Instruções de Segurança, o Manual do Utilizador, a Ficha do Produto e os Dados Energéticos:**

- Visitando o nosso website [docs.whirlpool.eu](http://docs.whirlpool.eu)
- Utilizando o código QR
- Em alternativa, **contacte o nosso Serviço Pós-venda** (através do número de telefone contido no livrete da garantia). Ao contactar o nosso Serviço Pós-Venda, indique os códigos fornecidos na placa de identificação do seu produto.



## GENEREL SIKKERHED

- Før deres foretages nogen form for indgreb i forbindelse med rengøring og vedligeholdelse skal forbindelsen til strømforsyningen afbrydes ved at trække stikket ud eller ved at slukke for boligens hovedafbryder.
  - For indgreb i forbindelse med installation og vedligeholdelse skal der bruges arbejdshandsker.
  - Apparatet må kun anvendes af børn under 8 år eller af personer med nedsatte fysiske eller mentale evner, eller som ikke har den nødvendige erfaring og kendskab til det, hvis de er under opsyn, eller såfremt de har modtaget de nødvendige anvisninger til sikker brug af apparatet og kender de dermed forbundne risici.
  - Det er nødvendigt at holde øje med, at børnene ikke leger med opladeren.
  - Rengøring og vedligeholdelse må ikke udføres af børn uden opsyn.
  - Lokalet skal være udstyret med tilstrækkelig ventilation, hvis emhætten bruges samtidig med andre forbrændingsapparatet, der drives af gas eller andre brændstoffer.
  - Emhætten skal rengøres med hyppige mellemrum, både indvendigt og udvendigt (MINDST EN GANG OM MÅNEDEN).
  - Overhold under alle omstændigheder anvisningerne i vedligeholdelsesvejledningen. Manglende overholdelse af emhættens rengøringsforskrifter og af filternes udskiftning og rengøring medfører fare for brand. Det er strengt forbudt at tilberede mad under åben ild under emhætten.
  - Ved udskiftning af pæren må du kun anvendes den type lyspære, der er angivet i afsnittet om vedligeholdelse/udskiftning af pære i denne manual. Brug af åben ild er skadeligt for filterne og kan medføre en brand, og det skal derfor for enhver pris undgås.
  - Friturestegning skal udføres under overvågning for at undgå, at olien overophedes og antændes.
- PAS PÅ!** Når kogepladen er i brug, kan emhættens tilgængelige dele blive meget varme.
- Apparatet må ikke tilsluttes strømforsyningen, før installationen er helt fuldført.
  - Hvad angår de anviste tekniske og sikkerhedsmæssige forholdsregler til udledning af røg, skal du omhyggeligt overholde de lokale myndigheders forskrifter.
  - Den udsugede luft må ikke tilføres en skakt, der bruges til udledning af røg fra forbrændingsapparater, der fungerer med gas eller andre brændstoffer.
  - Du må ikke bruge eller efterlade emhætten uden korrekt monterede pærer for at undgå en risiko for elektrisk stød.
  - Brug aldrig emhætten uden en korrekt monteret rist!
  - Emhættens overflade må ALDRIG anvendes som afsætningsplade, med mindre dette er udtrykkeligt angivet.
  - Brug kun de medfølgende fastspændingsskruer til produktet i forbindelse med installationen eller – såfremt de ikke medfølger – skal du indkøbe den korrekte type skruer.
  - Brug skruer af korrekt længde, som anført i installationsvejledningen.
  - I tvivlstilfælde bør du kontakte dit autoriserede servicecenter eller en kvalificeret tekniker.

### ADVARSEL!

- Hvis der ikke monteres de skruer og fastspændingsanordninger som angivet i disse anvisninger, kan der opstå risiko for elektriske problemer.
- Brug ikke sammen med en programmeringsenhed, timer, separat fjernbetjening eller andre enheder, der aktiveres automatisk.

Børn under 3 år skal holdes langt væk fra apparatet. Hold apparatet utilgængeligt for børn under 8 år, med mindre de konstant overvåges af en voksen.

**⚠ ADVARSEL:** Apparatet er ikke beregnet til at blive idriftsat ved hjælp af en ekstern enhed eller et separat fjernbetjeningsystem.

**⚠** Dette apparat er ikke beregnet til professionel brug. Apparatet må ikke anvendes i det fri.

**⚠** For at undgå risiko for kvæstelser skal apparatet håndteres og installeres af to eller flere personer.

**⚠** Installationen, herunder også eventuelle vandforsyningsforbindelser (hvis relevant), og de elektriske tilslutninger, og reparationsarbejde skal udføres af kvalificeret personale.

Når installationen er færdig, skal emballagen (plastikdele, polystyren osv.) opbevares uden for børns rækkevidde for at undgå kvælningsrisiko. .

Brug aldrig apparatet, når du er våd eller barfodet.

Brug aldrig damprensingsapparater – risiko for elektrisk stød.



Emballagen er 100% genanvendelig og er markeret med genbrugssymbolet

**Emhætten kan have et andet udseende i forhold til modellen på tegningerne i denne vejledning. Vejledningen til brug, vedligeholdelse og installation er dog uændret.**

**Overhold venligst alle instruktioner i denne vejledning.** Fabrikanten frasiger sig ethvert ansvar for eventuelle fejl, skader eller brande forårsaget af apparatet, men afledt af manglende overholdelse af instruktionerne i denne vejledning. Emhætten er beregnet til udsugning af røg og damp fra madlavning, og må kun benyttes til almindelig husholdning.

- Det er vigtigt at opbevare denne vejledning, så man får mulighed for at læse den senere. Ved viseresalg, overdragelse eller flytning skal man sørge for, at vejledningen følger emhætten.
- Læs instruktionerne omhyggeligt: der findes vigtige oplysninger om installation, brug og sikkerhed.
- Der må ikke udføres elektriske eller mekaniske ændringer på emhætten eller på udslipsrørene.
- Undersøg at ingen komponenter er beskadiget, før apparatet installeres. Kontakt forhandleren og undlad at fortsætte med installationen, hvis der påvises beskadigelser.

Minimumsafstanden mellem kogevejrets støtteoverflade på komfuret og den nederste del af emhætten må ikke være under 50cm ved elektriske kogeplader, og ikke under 65cm ved gasblus eller komfurer med både gasblus og elektriske kogeplader.

**Hvis gaskomfurets vejledning angiver en større afstand, skal dette overholdes.**

## ELEKTRISK TILSLUTNING

Netspændingen skal svare til spændingen vist på typeskiltet internt i emhætten. Hvis emhætten er udstyret med et stik, skal emhætten tilsluttes en let tilgængelig stikkontakt, der er i overensstemmelse med de gældende standarder. Stikkontakten skal også være let tilgængelig efter installationen. Hvis emhætten ikke er udstyret med et stik (direkte tilslutning til elnettet), eller hvis stikket ikke findes i et område, der også er let tilgængeligt efter installationen, skal der monteres en topolet afbryderkontakt i overensstemmelse med standarderne, der sørger for fuld afbrydelse fra elnettet i tilfælde af forhold i overspændingskategori III, og i overensstemmelse med reglerne for elektriske installationer.

### ⚠ OBS!


Undersøg altid, at netkablet er blevet monteret rigtigt, før emhættens kredsløb tilsluttes forsyningsnettet og der udføres kontrol af korrekt funktion.

Hvis kablet ikke er udstyret med et stik, skal ledningerne forbindes i overensstemmelse med den følgende tabel:

#### Ledningsnettets spænding og frekvens

Se den angivne værdi på etiketten med tekniske data inde i emhætten.

#### Ledningsforbindelse

 : gull/grøn  
N : blå  
L : brun

## Udskiftning af forsyningskabel

Emhætten er udstyret med en speciel forsyningsledning; hvis denne ledning beskadiges, skal den bestilles hos den tekniske service.

## UDLEDNING AF LUFT

(til versioner med udsugning)

Tilslut emhætten til aftræksrør og aftrækskullet i væggen, som skal have en diameter, der passer til luftudsugningen (studsflange).

Hvis rør og hul har en mindre diameter, forringes udsugningskapaciteten og støjen øges betydeligt.

Producenten fralægger sig ethvert ansvar i forbindelse hermed.

! Benyt et rør, der er så kort som muligt.

! Benyt et rør, der har så få kurver som muligt (max. vinkel på kurven: 90°).

! Undgå drastiske ændringer i rørets tværsnit.

! Fabrikanten fralægger sig ethvert ansvar, hvis disse regler ikke overholdes.

## FILTRERENDE ELLER SUGENDE ?

! Emhætten er parat til brug i den sugende udgave.

For at benytte emhætten i den filtrerende udgave, skal det specielle SÆT MED UDSTYR installeres.

Undersøg på de første sider i denne vejledning, om SÆTTET MED UDSTYR allerede er leveret med emhætten, eller om det skal købes separat.

**Bemærk:** Hvis sættet leveres med emhætten, er det supplerende filtreringssystem baseret på aktivt kul eventuelt allerede installeret i emhætten.

Oplysningerne til forvandling af emhætten fra den sugende udgave til den filtrerende udgave findes allerede i denne vejledning.

### Sugende udgave

Dampen ledes udenfor vha. et aftræksrør fastgjort til samleflangen.

### OBS!

Udledningsrøret leveres ikke, og skal købes.

Aftræksrørets diameter skal svare til diameteren på forbindelsesringen.

### OBS!

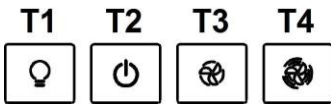
Hvis emhætten er udstyret med kulfiltre, skal disse filtre fjernes.

### Filtrerende udgave

Den indsugede luft affedtes og lugten fjernes, før luften sendes tilbage i lokalet. For at benytte emhætten i denne udgave skal der monteres et supplerende filtreringssystem baseret på aktivt kul.

## BETJENINGSANORDNINGER

Emhætten er udstyret med et betjeningspanel med mulighed for regulering af sugestyrken og lys til oplysning af kogeområdet.



T1. Lyskontakt ON/OFF.

T2. OFF-kontakt/hastighed 1

T3. Valg af hastighed 2

T4. Valg af hastighed 3

# VEDLIGEHOEDElse

## Rengøring

Ved rengøring må der **UDELUKKENDE** anvendes en klud fugtet med neutrale, milde rengøringsmidler i flydende form. **ANVEND IKKE VÆRKTØJ ELLER ANDET UDSTYR TIL RENGØRING.**

Undgå brug af produkter indeholdende slibemidler **BENYT ALDRIG SPRIT!**

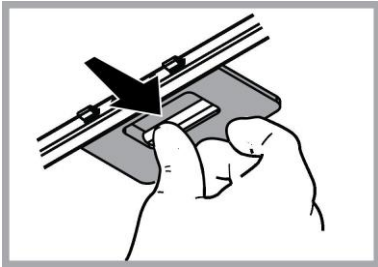
## Vedligeholdelse af fedtfiltere

**Tilbageholder de fedtpartikler, der dannes under tilberedning af mad.**

Fedtfilteret skal rengøres med milde vaskemidler en gang om måneden (eller når signaleringssystemet for filtermætning angiver behovet – hvis denne funktion findes på den købte model); filteret kan også vaskes i opvaskemaskine ved lave temperaturer og med en kort opvaskecyklus.

Ved vask i opvaskemaskinen kan metal-fedtfilteret blive misfarvet, men dette vil ikke have negativ indflydelse på dets filtrerende egenskaber.

Træk i fjederhåndtaget for at afmontere fedtfilteret.



## Vedligeholdelse af kulfilter

**Filteret opfanger lugt fra madlavning.**

Kulfilteret mættes efter længere tids brug alt efter typen af komfuret og hyppigheden for rengøring af fedtfilteret. Filterpatronen skal dog under alle omstændigheder skiftes hvert fjerde måned (eller når indikatoren for mætning af filteret angiver det, hvis en sådan indikator findes på modellen).

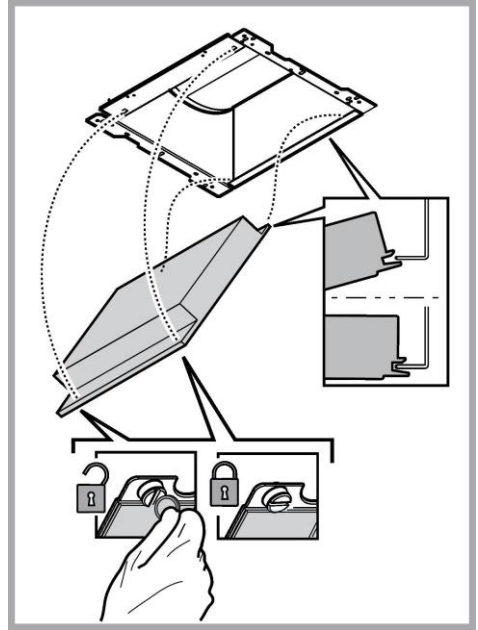
Kulfilteret kan **IKKE** vaskes eller genanvendes.

### Montering

Fastgør først filteret med aktivt kul til emhættens metalflap bagpå, og derefter foran vha. de to runde håndtag.

### Afmontering

Fjern filteret med aktivt kul ved at dreje de runde håndtag, der fastgør til emhætten, i et omfang på 90°.



## Udskiftning af pærer

Emhætten er udstyret med et belysningsystem baseret på lysdiodeteknologi.

Lysdioderne sikrer optimal belysning, holdbarhed op til 10 gange længere end almindelige pærer, og de giver mulighed for at spare 90% elektricitet.

Ved udskiftning bedes man kontakte den tekniske servicetjeneste.




# BORTSKAFFELSE

Dette apparat er mærket i overensstemmelse med det Europæiske Direktiv 2012/19/EC, Waste Electrical and Electronic Equipment (WEEE).

Elektrisk og elektronisk udstyr indeholder materiale, komponenter og stoffer, der kan være skadelige for menneskers sundhed og for miljøet, hvis kasseret elektrisk og elektronisk udstyr ikke håndteres korrekt.



Elektrisk og elektronisk udstyr er mærket med nedenstående overkrydsede skraldespand . Den symboliserer, at elektrisk og elektronisk udstyr ikke må bortskaffes sammen med usorteret husholdningsaffald, men indsamles særskilt.

Alle kommuner har etableret indsamlingsordninger, hvor elektrisk og elektronisk udstyr gratis kan afleveres af borgerne på genbrugsstationer og andre indsamlingssteder eller bliver afhentet direkte fra husholdningerne. Nærmere information kan fås hos kommunens tekniske forvaltning.

Produktet er designet, testet og produceret i henhold til:

- Sikkerhed: EN/IEC 60335-1; EN/IEC 60335-2-31, EN/IEC 62233.
- Kapacitet: EN/IEC 61591; ISO 5167-1; ISO 5167-3; ISO 5168; EN/IEC 60704-1; EN/IEC 60704-2-13; EN/IEC 60704-3; ISO 3741; EN 50564; IEC 62301.
- EMC: EN 55014-1; CISPR 14-1; EN 55014-2; CISPR 14-2; EN/IEC 61000-3-2; EN/IEC 61000-3-3. Forslag til korrekt anvendelse til reducere af miljøbelastning: Indstil ON på emhættens laveste hastighed, når du begynder at lave mad og sluk den først et par minutter efter endt madlavning. Forhøj kun hastigheden ved meget røg og damp. Anvend kun boost hastigheden i tilfælde, hvor det er nødvendigt. Udskift kulfilteret/kulfiltrene, når det er nødvendigt for at bibeholde udsugningseffektiviteten. Rens fedtfilteret/fedtfilterne, når det er nødvendigt for at bibeholde filtereffektiviteten. Anvend det største kabelsystemdiameter til optimering af effektiviteten og til minimering af støjen.

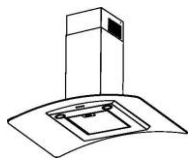
# FUNKTIONSFEJL



Hvis der opstår funktionsfejl, bør man foretage nedenstående kontrol før man ringer til Servicecenteret.

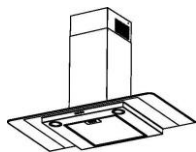
- Hvis emhætten ikke fungerer:  
Kontroller følgende:
  - at der ikke er strømsvigt.
  - at der er valgt en hastighed.
- Hvis emhætten ikke rensr luften korrekt:  
Kontroller følgende:
  - at den valgte motorhastighed er tilstrækkelig til mængden af røg og damp.
  - at køkkenet er korrekt ventileret af hensyn til luftindtaget.
  - at kulfilteret ikke er slidt (emhætter i filtrerende udgaver).
- Hvis emhætten slukkes under normal funktion:  
Kontroller følgende:
  - at der ikke er strømsvigt.
  - om den flerpolede afbryderkontakt har grebet ind.



Hvis der opstår funktionsfejl, bør man inden henvendelse til Servicecenteret, afbryde emhætten fra elforsyningen i mindst 5 sekunder ved at trække stikket ud, og derefter tilslutte emhætten igen. Hvis funktionsfejlen stadig er til stede bedes man kontakte Servicecenteret.

## TEKNISKE DATA



Højde (cm)	Bredde (cm)	Dybde (cm)	Udledningsrørets Ø (cm)
 60 - 113	89,8 - 69,8 - 59,8	45	15
 69 - 113			



Højde (cm)	Bredde (cm)	Dybde (cm)	Udledningsrørets Ø (cm)
 60 - 113	89,8 - 69,8 - 59,8	45	15
 69 - 113			

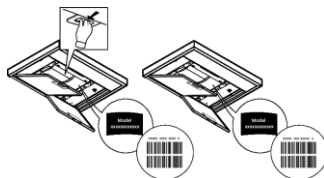


Komponenter der ikke leveres med emhætten



Du kan downloade Sikkerhedsanvisningerne, Brugsvejledningen, Databladet og Energidataene, ved at:

- Besøge vores website [docs.whirlpool.eu](https://docs.whirlpool.eu)
- Ved hjælp af QR-koden
- Eller som alternativ **kontakte vores serviceafdeling** (Telefonnummeret findes i garantihæftet). Når du kontakter vores serviceafdeling, bedes du angive koderne på dit produkts identifikationsskilt.



## YLEINEN TURVALLISUUS

• Ennen minkään asennustoimenpiteen aloittamista laite tulee kytkeä irti sähköverkosta irrottamalla liitäntäjohto tai katkaisemalla virta huoneiston pääkytkimestä.

• Käytä kaikkien asennus- ja huoltotöiden aikana työkasineitä.

• Yli 8-vuotiaat lapset sekä henkilöt, joiden fyysinen, aistien tai mielen terveys on heikentynyt tai joilla ei ole tarpeellista kokemusta ja tietoa, saavat käyttää tätä laitetta, jos käyttöä valvotaan tai jos heille on annettu laitteen turvallista käyttöä koskevat ohjeet ja he ymmärtävät mahdolliset vaarat.

• Valvo, että lapset eivät pääse leikkimään laitteella.

• Lapset eivät saa puhdistaa laitetta tai tehdä kunnossapitotoimenpiteitä ilman valvontaa.

• Huoneisto on aina tuuletettava hyvin, kun tuuletinta käytetään yhtäaikaaisesti kaasulla tai muilla polttoaineilla toimivien laitteiden kanssa.

• Tuuletin on puhdistettava säännöllisesti sisä- ja ulkopuolelta (VÄHINTÄÄN KERRAN KUUKAUDESSA), noudata kuitenkin tämän käyttöohjeen neuvoja.

• Tuulettimen puhdistusta ja suodattimien vaihtoa ja puhdistusta koskevien määräysten noudattamatta jättäminen voi aiheuttaa tulipalovaaran.

• Tuulettimen alla liekittäminen on ehdottomasti kielletty.

• Käytä ainoastaan lamppujen huolto/vaihto-ohjeessa ilmoitettuja vaihtolamppuja.

Avotulen käyttö vahingoittaa suodattimia ja voi aiheuttaa tulipalon, siksi sitä on vältettävä joka tapauksessa.

Älä jätä paistumassa olevaa ruokaa ilman valvontaa, jotta kuumentunut öljy ei syty palamaan.

**HUOMIO:** Liesituulettimen esillä olevat osat voivat kuumentua keittotason käytön aikana.

• Älä yhdistä laitetta sähköverkkoon ennenkuin asennus on täysin valmis.

• Noudata huolellisesti paikallisten viranomaisten antamia savunpoiston teknisiä ja turvatoimenpiteitä koskevia määräyksiä.

• Poistoilmaa ei saa johtaa kaasulla tai muilla polttoaineilla toimivien laitteiden savunpoistohormiin.

• Älä käytä liesituuletinta, jos lamppu ei ole paikallaan tai jos lamppuja ei ole asennettu oikein, sillä seurauksena voi olla sähköisku.

• Älä koskaan käytä tuuletinta, jos sen verkkoa ei ole asennettu oikealla tavalla!

• Tuuletinta ei saa KOSKAAN käyttää tukipintana, jollei niin ole erikseen mainittu.

• Käytä vain laitteen mukana tulevia asennukseen tarkoitettuja kiinnitysruuveja, tai hanki oikeanlaisia ruuveja jos ne eivät kuulu varustukseen.

• Käytä Asennusohjeen mukaisia oikean pituisia ruuveja.

• Epäselvissä tapauksissa ota yhteys tekniseen tukeen tai vastaavaan asiantuntijaan.

### **▲ VAROITUS!**


• Kiinnitysruuvien ja -laitteiden ohjeiden vastainen asennus voi vaikuttaa sähköturvallisuuteen.


• Älä käytä ohjelmointilaitteen, ajastimen, erillisen kaukosäätimen tai minkä tahansa laitteen kanssa, joka aktivoituu automaattisesti.

Pidä alle 3-vuotiaita lapsia loitolla laitteesta. Pidä laitetta pois alle 8-vuotiaiden lasten ulottuvilta ellei heidän toimintaansa valvo jatkuvasti aikuinen henkilö.

**▲ VAROITUS:** laitetta ei ole tarkoitettu otettavaksi käyttöön ulkoisen laitteen avulla tai käyttämällä erillistä kauko-ohjausjärjestelmää.

 Tämä laite ei ole tarkoitettu ammattimaiseen käyttöön. Älä käytä laitetta ulkona.

 Loukkaantumista koskevien vaarojen välttämiseksi, laitetta on liikutettava ja se on asennettava kahden tai useamman henkilön toimesta.

 Asennus, joka koskee myös mahdollisia vesijohtoliitoksia (mikäli kuuluu asennukseen) ja sähköliitäntöjä sekä korjaustoimenpiteet on suoritettava pätevän henkilöstön toimesta.

Kun asennus on valmis, säilytä pakkausmateriaaleja (muovi- ja polystyreeniosat tms.) pois lasten ulottuvilta tukehtumisvaaran välttämiseksi. .

Älä käytä laitetta kun olet märkä tai paljain jaloin.

Älä koskaan käytä höyrypuhdistimia - sähköiskun vaara.



Pakkausmateriaali on 100 % kierrätettävä ja se on merkitty kierrätysmerkillä

**Tuuletin voi olla ulkonäöltään erilainen kuin käyttöohjeen kuvissa näkyvä malli. Käyttöohjeet, asennus ja huolto ovat kuitenkin muuttumattomat.**

**Noudata käyttöohjetta huolellisesti.** Valmistaja ei vastaa käyttöohjeen noudattamattajättämisestä aiheutuneista haitoista, vahingoista tai tulipaloista. Tuuletin imee savun ja höyryn ja se on tarkoitettu ainoastaan kotitalouskäyttöön.

• On tärkeää säilyttää ohjekirja tulevaa tarvetta varten.

Mikäli laite myydään tai siirretään uudelle omistajalle tai jos laitteen käyttäjä muuttaa, on varmistettava että käyttöohje jää uuden käyttäjän saataville.

• Lue käyttöohjeet huolellisesti: ne sisältävät tärkeää tietoa laitteen asennuksesta, käytöstä ja turvallisuudesta.

• Älä tee muutoksia laitteen sähköliitäntöihin, mekaanisiin osiin tai poistoputkiin.

• Tarkista ennen laitteen asennusta, että kaikki osat ovat vahingoittumattomia. Jos laitteessa on viallisia osia, ota yhteys jälleenmyyjään ja keskeytä asennus.

Lieden keittotason tukipinnan ja keittiötuulettimen alimman osan välinen minimietäisyys on oltava vähintään 50cm sähköliesien osalta ja 65cm kaasua- ja sekaliesien osalta.

**Jos kaasulieden käyttöohjeissa vaaditaan suurempi etäisyys, on se otettava huomioon.**

## SÄHKÖLIITÄNTÄ

Verkon jännitteen on oltava sama kuin tuulettimen sisäpuolella olevassa tyyppikilvessä ilmoitettu jännite. Jos laitteessa on pistoke, liitä tuuletin voimassaolevien normien mukaiseen pistorasiaan, joka sijaitsee sellaisessa paikassa, että siihen pääsee käsiksi myös asennuksen jälkeen. Jos laitteessa ei ole pistoketta (suora liitos verkkoon) tai pistoke ei ole sellaisessa paikassa että siihen pääsee käsiksi myös asennuksen jälkeen, käytä normien mukaista kaksinapaista katkaisijaa, jolla varmistetaan että laite saadaan kokonaan irti sähköverkosta, jos ylijännite kategoria on III, asennussääntöjen mukaisesti.

## HUOMIO!


Tarkista aina, että verkkoakaapeli on asennettu oikealla tavalla ennen kuin yhdistät tuulettimen sähköverkkoon ja tarkistat että se toimii oikein.

Jos kaapelissa ei ole pistoketta, kytket johdot seuraavan taulukon mukaisesti:

### Verkon jännite ja taajuus

Viittaa liesituulettimen sisällä olevaan ominaisuudet sisältävään tarraan.

### Johtojen kytkentä

 : keltainen/vihreä

N : sininen

L : ruskea

## Virtajohdon vaihto

Tuulettimessa on erityinen sähköjohto; jos johto rikkoutuu, pyydä uusi johto tekniseltä tuelta.

# ILMANPOISTO

(imukupuversiossa)

Liitä liesituuletin poistoputkiin sekä seinän poistoaukkoihin, joiden halkaisija on yhtä suuri kuin ilman ulostuloaukossa (liitännäislaipassa).

Halkaisijaltaan pienempien poistoputkien ja seinän poistoaukkojen käyttö aiheuttaa imutehon pienentymistä ja meluisuuden huomattavan lisäyksen.

Kieltäydytään siten kaikesta vastuusta kyseisessä tapauksessa.

! Käytä mahdollisimman lyhyttä putkea.

! Käytä putkea, jossa on mahdollisimman vähän mutkia ( max taivutus: 90°)

! Älä tee suuria muutoksia putkiston alueella.

! Valmistaja ei ole vastuussa käyttöohjeiden vastaisesta käytöstä

## SUODATIN- VAI IMUKUPUVERSIO?

! Tuulettimenne on valmis käytettäväksi imukupuversiona.

Jos tuuletinta käytetään suodatinversiona, on asennettava tarvittavat LISÄVARUSTEET.

Tarkistakaa käyttöohjeen ensimmäisiltä sivuilta sisältyvätkö LISÄVARUSTEET toimitukseen vai onko ne ostettava erikseen.

**Huomio:** Jos aktiivihiiisuodatin sisältyy toimitukseen lisävarusteena, on mahdollista että se on jo asennettu tuulettimeen.

Le informazioni per la trasformazione della cappa da versione aspirante a versione filtrante sono già contenute in questo manuale.

Ohjeet tuulettimen vaihtamiseksi imukupuversiosta suodatinversioksi sisältyvät jo tähän käyttöohjeeseen

## Imukupuversio

Höyry poistuu ulos liitoslaippaan kiinnitetyn poistoputken kautta.

### ⚠ HUOMIO!

Poistoputki ei kuulu varustukseen ja se on ostettava erikseen.

Poistoputken on oltava halkaisijaltaan samankokoinen kuin liitosrengas.

### ⚠ HUOMIO!

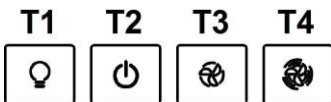
Jos tuulettimessa on hiilisuodattimet, ne on irrotettava.

## Suodatinversio

Suodatetusta ilmasta poistuu rasva ja pahat hajut ennen kuin se palautuu takaisin huoneistoon. Kun tuuletinta käytetään tässä toimintamallissa, siihen on asennettava aktiivihiihi lisäsuodatinjärjestelmä.

## OHJAIMET

Liesituuletin on varustettu ohjauspaneelilla, josta voidaan säätää imun nopeuksia ja kytkeä valo, joka valaisee keittotasoa.



T1. ON/OFF valokatkaisija

T2. OFF katkaisija/nopeus 1

T3. Nopeuden 2 valitsin

T4. Nopeuden 3 valitsin

# HUOLTO

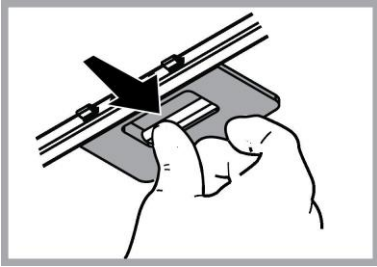
## Puhdistus

Puhdistusta varten käytä **YKSINOMAAN** neutraaleihin pesuaineisiin kostutettua liinaa. **ÄLÄ KÄYTÄ PUHDISTUKSESSA TYÖKALUJA TAI VÄLINEITÄ!** Vältä hankaavien tuotteiden käyttöä. **ÄLÄ KÄYTÄ ALKOHOLIA!**

## Rasvasuodatin

**Se pidättää ruuanlaitosta syntyvät rasvahiukkaset.**

Rasvasuodatin on puhdistettava kerran kuukaudessa (tai kun suodattimien kyllästyksen merkkijärjestelmä ilmoittaa puhdistuksen tarpeesta – jos laitteessa on tämä järjestelmä), miedolla pesuaineella, käsin tai astianpesukoneessa alhaisella lämpötilalla ja lyhyellä pesuohjelmalla. Metallinen rasvasuodatin voi haalistua astianpesukoneessa, mutta tämä ei vaikuta sen suodatustehoon millään tavalla. Rasvasuodatin irrotetaan vetämällä jousikahvasta.



## Hiilisuodattimen huolto

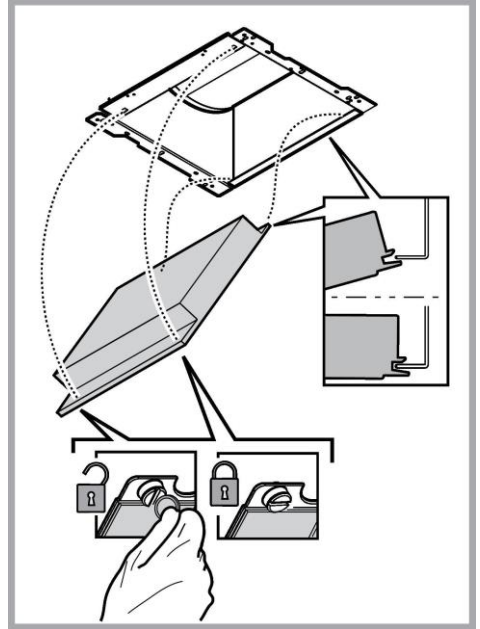
**Imee ruuanlaitosta aiheutuvat epämiellyttävät hajut.** Hiilisuodatin kyllästyy ajanjaksossa, jonka pituus riippuu keittotason käyttötaavoista ja rasvasuodattimen puhdistuksen säännöllisyydestä. Joka tapauksessa kasetti tulee vaihtaa joka neljäs kuukausi (tai kun suodattimien kyllästymistä osoittava järjestelmä – mikäli olemassa omistettavassa mallissa – osoittaa vaihdon tarpeellisuuden) Sitä EI voi pestä eikä käyttää uudestaan

### Asennus

Kiinnitä aktiivihiiisuodatin ensin takaosastaan tuulettimen metalliosaan ja sen jälkeen etupuolelta kahdella nupilla.

### Purkaminen

Irrota aktiivihiiisuodatin kiertämällä **90°** nuppeja, joilla se on kiinnitetty tuulettimeen.



## Lampujen vaihto

Tuulettimessa on LED teknologiaan perustuva valaistusjärjestelmä.


LED valot takaavat parhaan mahdollisen valaistuksen, lampujen kesto on 10 kertaa parempi kuin perinteisten lampujen ja niiden avulla säästetään 90% energiaa.

Ota yhteys tekniseen tukeen kun lamput on vaihdettava.

# HÄVITTÄMINEN

Tämä laite on valmistettu EU-direktiivin 2012/19/EC, Waste Electrical and Electronic Equipment (WEEE) mukaisesti. Hävittämällä laitteen asianmukaisesti käyttäjä voi ehkäistä mahdolliset ympäristölle ja ihmisten terveydelle haitalliset seuraukset



Tuotteesta tai tuoteasiakirjoista löytyvä merkki  ilmoittaa, että tuotetta ei saa käsitellä talousjätteenä ja että se on toimitettava sähkö- ja elektronisten laitteiden kierrätyspisteeseen. Laite on hävitettävä paikallisten jätteenkäsittelysäännösten mukaisesti. Jos tarvitset lisätietoja laitteen käsittelystä, palautuksesta ja kierrätyksestä, ota yhteys paikalliseen viranomaiseen, jätehuoltoon tai liikkeeseen josta tuote on ostettu.

Laitteisto suunniteltu, testattu ja valmistettu seuraavien standardien mukaisesti:

- Turvallisuus: EN/IEC 60335-1; EN/IEC 60335-2-31, EN/IEC 62233.
- Suorituskyky: EN/IEC 61591; ISO 5167-1; ISO 5167-3; ISO 5168; EN/IEC 60704-1; EN/IEC 60704-2-13; EN/IEC 60704-3; ISO 3741; EN 50564; IEC 62301.
- EMC: EN 55014-1; CISPR 14-1; EN 55014-2; CISPR 14-2; EN/IEC 61000-3-2; EN/IEC 61000-3-3. Suositukset oikeaa käyttöä varten ympäristövaikutusten vähentämiseksi: Kytke liesikupu päälle miniminopeudelle, kun aloitat kypsennyksen, ja pidä sitä päällä muutama minuutti kypsennyksen jälkeen. Nosta nopeutta vain, jos tilassa on runsaasti savua tai höyryä, ja käytä tehostettua/-ja nopeutta/nopeuksia vain erityistarpeessa. Vaihda aktiivihiihisuodatin/-suodattimet, kun haluat säilyttää hyvän hajujenpoistotehokkuuden. Puhdista rasvasuodatin/-suodattimet, kun haluat säilyttää hyvän rasvasuodatustehtokkuuden. Käytä tässä oppaassa annetun kanavointijärjestelmän maksimilämpimittaa tehokkuuden parantamiseksi ja melun vähentämiseksi.

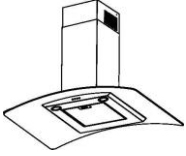
## TOIMINTAHÄIRIÖT



Jos liesituuletin ei tunnu toimivan, tarkista seuraavat seikat ennen kuin soitat huoltopalveluun:

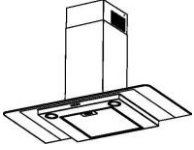
- Jos tuuletin ei toimi:  
Tarkista että:
  - sähkönsyöttö ei ole katkennut
  - on valittu tietty nopeus
- Jos liesituuletin vetää huonosti:  
Tarkista että:
  - Valittu moottorin nopeus on riittävä poistamaan kertyneen savun ja höyryn.
  - Keittiön tuuletus on riittävän hyvä, jotta ilma poistuu ulos.
  - Hiihisuodatin ei ole kulunut (suodatinversiossa).
- Jos tuuletin on sammunut normaalin toiminnan aikana:  
Tarkista että:
  - sähkönsyöttö ei ole katkennut
  - että moninapainen katkaisinlaite ei ole lauennut.



Ennen kuin otat yhteyttä tekniseen tukeen mahdollisten toimintahäiriöiden yhteydessä katkaise laitteesta virta vähintään 5 sekunnin ajaksi vetämällä töpsemi irti seinästä ja kytke virta uudestaan päälle. Jos laite ei vielä toimi, ota yhteys tekniseen tukeen

# TEKNISET TIEDOT



Korkeus (cm)	Leveys (cm)	Syvyys (cm)	Ø Poistoputken läpimitta (cm)
 60 - 113	89,8 - 69,8 - 59,8	45	15
 69 - 113			



Korkeus (cm)	Leveys (cm)	Syvyys (cm)	Ø Poistoputken läpimitta (cm)
 60 - 113	89,8 - 69,8 - 59,8	45	15
 69 - 113			

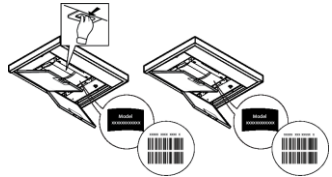


Toimitukseen kuulumattomat osat



**Voit ladata itsellesi turvaohjeet, käyttöoppaan, tuoteselosteen ja energiatiedot seuraavalla tavalla:**

- Verkkosivustolta [docs.whirlpool.eu](https://docs.whirlpool.eu)
- Käyttämällä QR-koodia
- Vaihtoehtoisesti **ottamalla yhteyttä huoltapalveluumme** (katso puhelinnumero takuuvihkosesta). Kun otat yhteyttä huoltapalveluun, ilmoita tuotteen tunnistekilvissä olevat koodit.





## ADVARSEL

- Før det utføres et hvilket som helst vedlikehold eller rengjøring må hetten kobles fra strømmen, enten ved å dra ut støpselet eller ved å kutte strømmen i hele huset.
- Bruk alltid arbeidshansker under hele installasjonen og når det utføres vedlikehold.
- Dette apparatet kan benyttes av barn fra 8 år og oppover og av personer med svekkede fysiske, følelsesmessige eller mentale egenskaper, eller manglende erfaring og kjennskap, hvis de overvåkes eller hvis de er opplært til å ta apparatet i bruk på en sikker måte og er informert om tilhørende farer.
- Pass på at barn ikke leker med apparatet.
- Rengjøring og vedlikehold må ikke utføres av barn, med mindre de overvåkes.
- Rommet må være tilstrekkelig ventilert hvis hetten anvendes sammen med andre apparater som forbrenner gass eller annet brensel.
- Hetten må rengjøres ofte både innvendig og utvendig (MINST EN GANG I MÅNED), ta hensyn til informasjonene skrevet i bruksanvisning og vedlikehold håndbok.
- Manglende overholdelse av rengjørings indikasjon samt som erstatning og rengjør av filter kan føre til brann fare.
- Det er strengt forbudt å lage flambert mat under hetten.
- Bruk kun samme type lyspære som indikeres i avsnittet vedlikehold/utbytting av lyspære i denne veiledningen når lyspæren skal byttes ut.

Frie flammer kan skade filtrene og medføre brann og må derfor alltid unngås.

Frityrsteking må overvåkes for å unngå at oljen blir for varm og antennes.

**VÆR OPPMERKSOM:** Hettens tilgjengelige deler kan bli varme når koketoppen er i drift.

- Ikke kobl apparatet til strømmettet før installasjonen er helt ferdig.

- Når det gjelder tekniske mål og sikkerhet for røykuttak, følg nøye alle lokale forskrifter og regler.
- Oppsugd luft må ikke føres inn i et rør som benyttes som uttak for apparater med gassforbrenning eller annen brensel.
- Ikke bruk hetten uten lyspære eller med feilmontert lyspære, da det finnes fare for elektriske støt.

Ikke bruk hetten med feilmontert rist!

Hetten må ALDRI brukes som støtteflate, med mindre dette er uttrykkelig indikert.

- Bruk kun de festeskruene som leveres sammen med apparatet for å utføre installasjonen eller, hvis de ikke utleveres, kjøp riktige skruer.
- Bruk riktig lengde på skruene som er oppført i Installasjonsveiledningen.
- Vennligst ta kontakt med et autorisert servicesenter eller lignende kvalifisert personell hvis man er i tvil.

### ▲ **VÆR OPPMERKSOM!**

- Manglende installasjon av skruer og festeanordninger i samsvar med disse instruksjonene kan føre til elektriske farer.
- Ikke bruk tidsmåler, timer, separat fjernkontroll eller andre typer anordninger som aktiveres automatisk.

Barn under 3 års alder må holdes på avstand fra apparatet. Barn under 8 års alder må holdes på avstand fra apparatet dersom de ikke holdes under konstant oppsyn av en voksen.

▲ **OBS!** Apparatet er ikke utviklet for å styres av eksterne enheter eller separate fjernstyrte systemer.

▲ Dette apparatet er ikke utviklet for profesjonell bruk. Ikke bruk apparatet under åpen himmel.

▲ For å motvirke risikoen for personskader må apparatet flyttes og installeres av to eller flere personer.

▲ Installasjonen innbefatter også eventuelle opplegg for vannforsyning og elektriske forbindelser, og reparasjonsinngrep må derfor utføres av kvalifisert personell.

Når installasjonen er fullført må alt emballasjemateriell (plast, styrenplast osv.) holdes på avstand fra barn. Dette for å unngå kvelningsrisiko. .

Apparatet må ikke brukes av våte personer eller personer med våte føtter.  
Ikke bruk apparatet til dampvask - risiko for elektriske støt.

Emballasjemateriell er 100% resirkulerbart og avmerket med gjenvinningsymbol



**Ventilatorhetten kan se annerledes ut enn det som vises på tegningene i denne håndboken. Bruksanvisningen, vedlikehold og installasjon forblir allikevel de samme.**

**Instruksjonene i denne håndboken må følges nøye.** Produsenten fraskriver seg ethvert ansvar for eventuelle uhell, skader eller brann på apparatet som skyldes at bruksanvisningen i denne håndboken ikke har blitt overholdt. Ventilatoren er ment for avtrekk av røyk og damp fra matlaging og er kun til husholdningsbruk.

- Det er viktig å oppbevare denne håndboken for å kunne konsultere den i ethvert øyeblikk. Ved salg, overdragelse eller flytting av produktet, må man forsikre seg om at den følger med.
- Les bruksanvisningen nøye: den inneholder viktige informasjonen om installasjon, bruk og sikkerhet.
- Ikke utfør elektriske eller mekaniske endringer på produktet eller på avtrekksrørene.
- Før man fortsetter med installasjon av apparatet, skal man undersøke at ingen komponenter er skadet. Hvis det skulle være skade på komponentene, skal man ta kontakt med forhandleren og ikke fortsette med installasjonen.

Minimumsavstanden mellom koketoppen og undersiden av kjøkkenventilatoren må ikke være på mindre enn 50cm når det gjelder elektriske kokeplater og 65cm når det gjelder gassbluss og kombinerte koketopper.

**Dersom bruksanvisningen for et gasskokeapparat opererer med en større avstand, må denne overholdes.**

## ELEKTRISK TILKOBLING

Nettspenningen må være i samsvar med den elektriske spenningen som angis på typeskiltet inne i ventilatoren. Hvis det følger med støpsel, kobles ventilatoren til en lett tilgjengelig stikkontakt som er godkjent i henhold til gjeldende normer. Stikkontakten må være lett tilgjengelig også etter installasjonen. Hvis det ikke følger med støpsel (direkte kobling til strømmettet), eller stikkontakten selv etter installasjonen ikke er lett tilgjengelig, må man sette på en godkjent topolet bryter som garanterer fullstendig frakobling fra strømmettet i situasjonene som oppstår i kategorien overspenning III, i henhold til installasjonsreglene.

### ▲ MERK!

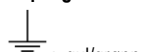
Før man kobler ventilatorens strømkrets til strømmettet og fastslår at alt fungerer korrekt, må man alltid kontrollere at strømledningen er korrekt montert.

Dersom det ikke er montert et støpsel på ledningen, må du gå fram i henhold til tabellen nedenfor:

#### Nettets spenning og frekvens

Vær oppmerksom på verdien på merkeetiketten innenfor avtrekshetten.

#### Kopling av ledning



: gul/grønn

N : blå

L : brun

## Utbytte av strømforsyning ledning

Ventilatoren har en spesiell strømledning; dersom denne skades, skal man henvende seg til kundeassistansen for kjøp av en ny.

## AVTREKK AV LUFT

(for sugende versjoner)

Koble ventilatoren til rør og avtrekksåpning i veggen med en diameter tilsvarende luftuttaket (koblingsflensen).

Bruk av rør og avtrekksåpning på veggen med en mindre diameter, vil medføre en minskning i avtrekksytelsene og en drastisk økning av støyen.

Ethvert ansvar gjeldende dette fraskrives derfor.

! Bruk et så kort rør som mulig.

! Bruk et rør med færrest mulig vinkel (vinkelen må aldri være skarpere enn 90°).

! Unngå drastiske endringer i rørets tverrsnitt.

! Selskapet fratrer seg eventuelt ansvar dersom slike veiledelser ikke blir tatt i bruk.

## FILTRERENDE ELLER SUGENDE?

! Din hetten er klar for å bli tatt i bruk med sugende funksjon.

For å bruke hetten i med filtrerings funksjon må man ta i bruk tilsvarende EKSTRA UTSTYR.

Vær oppmerksom ved første sider av denne bruksanvisning dersom nødvendig EKSTRA UTSTYR er allerede gitt ved salget eller dersom den må bli kjøpt separat.

**Merk:** Dersom den er utdelt ved salget i noen tilfeller, filtrering anlegget basert på bruk av aktiv kull kan vær installert på forhånd på hetten. Informasjonene for forandring av hetten fra sugende bruk til filtrerings bruk er allerede skrevet i denne bruksanvisning.

### Sugende versjon

Dampene føres ut i friluft gjennom et avløpsrør som er festet til koblingsflensen.

#### **MERK!**

Avløpsrøret er ikke medlevert, men må kjøpes separat.

Diameteren i avløpsrøret må tilsvare diameteren på tilslutningsringen.

#### **MERK!**

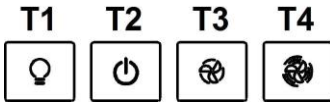
Hvis ventilatoren er utstyrt med kullfilter, må disse fjernes.

### Filtrerende versjon

Luften som suges opp blir rensed, og fett og lukter fjernes før den føres tilbake i rommet. Hvis man vil bruke ventilatoren i denne versjonen, er det nødvendig å installere et ekstra filtersystem basert på aktivt kull.

## FUNKSJONER

Viften er utstyrt med et kontrollpanel med viftehastighetsvalg og en lysbryter for å kontrollere kokeområdet lys.



T1. Lysbryter ON/OFF.

T2. Bryter OFF/hastighet 1

T3. Hastighetsvelger 2

T4. Hastighetsvelger 3

# VEDLIKEHOLD

## Rengjøring

Til rengjøring skal det **KUN** benyttes en klut fuktet med et nøytralt rengjøringsmiddel. **VERKTØY ELLER APPARATER SKAL IKKE BRUKES TIL RENGJØRING!**

Unngå bruk av slipende eller etsende produkter. **ALKOHOL SKAL IKKE BRUKES!**

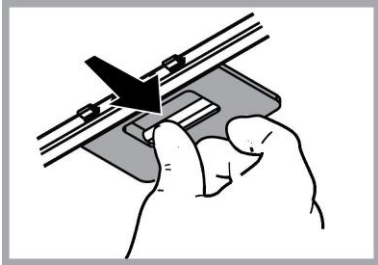
## Vedlikehold av motfettet filteret

### Fanger kokefettpartikler.

Dette må rengjøres en gang i måneden (eller når det elektroniske systemet viser at filteret er skittent – hvis din modell har denne funksjonen), med milde (ikke aggressive) rengjøringsmidler, for hånd eller i oppvaskmaskin ved lav temperatur og med kort syklus.

Ved vask i oppvaskmaskin kan fettfilteret i metall miste fargen, men dets filterkarakteristikk endres absolutt ikke.

For å demontere fettfilteret må man dra i fjærhåndtaket.



## Vedlikehold av kull filter

**Holder tilbake ubehagelige lukter fra matlaging.**

Kullfilteret mettes etter en mer eller mindre lang tidsperiode, avhengig av typen matlaging og hvor regelmessig filteret rengjøres.

I alle tilfeller er det nødvendig å skifte ut patronen minst hver 4. måned (eller når indikatoren for metning av filteret viser at det er nødvendig, hvis det er en slik indikator på modellen).

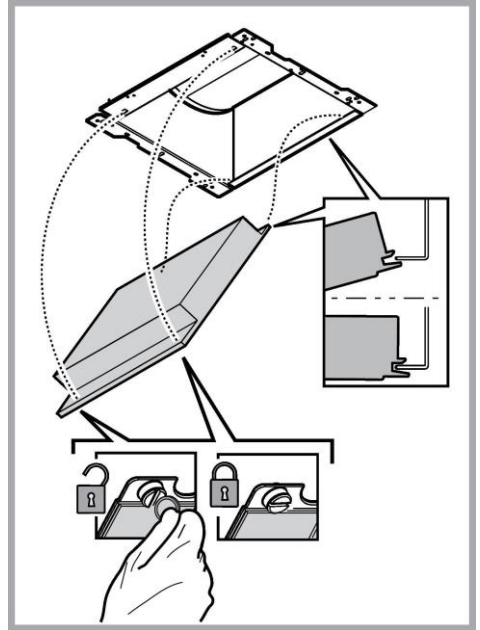
Det kan **IKKE** vaskes eller benyttes om igjen

### Montering

Hekt først kullfilteret bak på ventilatorens metallhekte, og fest det deretter foran med de to kulehåndtakene.

### Demontering

Fjern kullfilteret ved å dreie kulehåndtakene som fester det til ventilatoren 90°.



## Utbytting av lyspære

Ventilatoren er utstyrt med et belysningsystem basert på LED-teknologi.


LED-lysene garanterer optimal belysning, har opptil 10 ganger lengre varighet enn tradisjonelle lyspærer og tillater en strømsparing på 90 %.

Henvend deg til teknisk service når LED-pærene skal skiftes ut.

# KASSERING

Dette apparatet er merket i konformitet med EU-direktivet 2012/19/EC, Waste Electrical and Electronic Equipment (WEEE). Ved å forsikre seg om at dette produktet kasseres forskriftsmessig, bidrar brukeren med å forebygge mulige negative miljø- og helsekonsekvenser.



Symbolet  på produktet eller på papirer som følger med viser at dette produktet ikke må behandles som vanlig husholdningsavfall, men må leveres til et egnet gjenvinningscenter for elektrisk og elektronisk avfall. Produktet må kasseres i henhold til lokale normer for kassering av avfall. For videre informasjon om behandling, gjenvinning og resirkulering av dette produktet kan du kontakte egnet lokalt kontor, renovasjonskontoret for husholdningsavfall eller butikken hvor du kjøpte produktet.

Apparatet er utformet, testet og produsert i henhold til:

- Sikkerhet: EN/IEC 60335-1; EN/IEC 60335-2-31, EN/IEC 62233.
- Kapasitet: EN/IEC 61591; ISO 5167-1; ISO 5167-3; ISO 5168; EN/IEC 60704-1; EN/IEC 60704-2-13; EN/IEC 60704-3; ISO 3741; EN 50564; IEC 62301.
- Elektromagnetisk kompatibilitet EMC: EN 55014-1; CISPR 14-1; EN 55014-2; CISPR 14-2; EN/IEC 61000-3-2; EN/IEC 61000-3-3.

Forslag til riktig bruk for å redusere miljøpåvirkning: Skru PÅ ventilatorhetten på minimum hastighet når du starter matlagingen og lå den holdes i gang i noen minutter etter at matlagingen er ferdig. Øk hastigheten kun ved store mengder røyk og damp og bruk boost-hastighet(er) kun i ekstreme situasjoner. Skift ut kullfilter når det er nødvendig for å opprettholde optimal effektivitet for odørreduksjon. Rengjør fettfilter når det er nødvendig for å opprettholde optimal effektivitet for fettfilter. Bruk maksimum diameter på kanalsystemet som er angitt i denne bruksanvisningen for å optimalisere effektivitet og minimere støy.

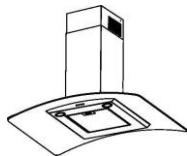
## FEIL VED BRUK



Dersom feil oppstår ved bruk før du tar kontakt med Kunde Service se etter følgende kontroll:

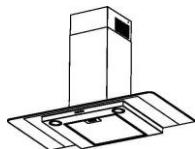
- Dersom hetten ikke virker:  
Verifiser at:
  - Brudd i strøm forsyning ikke har tatt sted.
  - Det har blitt valgt en hastighet.
- Dersom hetten har en lav kapasitet:  
Verifiser at:
  - Motor hastighet som har blitt valgt er i stand til å fjerne mengden på røyk og damp som er til stede
  - Kjøkkenet er ventilert nok for å bidra til et luft oppsuging.
  - Kull filter ikke er oppbrukt (ved hetten i filtrerings funksjon).
- Dersom hetten har slott seg av ved vanlig bruk:  
Verifiser at:
  - Brudd i strøm forsyning ikke har tatt sted.
  - Omnipolar av spærre system ikke har aktivert seg.



Dersom det oppstår feil ved vanlig idriftsettelse før du tar kontakt med Kunde Service slå av for minst 5 sec. Strøm forsyning ved å ta ut strøm kontakt og deretter ved å koble den på igjen. Dersom feilet fortsetter ta kontakt med Kunde Service.

## TEKNISKE DATA



Høyde (cm)	Lengde (cm)	Dyp (cm)	Ø avtrekk rør (cm)
 60 - 113	89,8 - 69,8 - 59,8	45	15
 69 - 113			



Høyde (cm)	Lengde (cm)	Dyp (cm)	Ø avtrekk rør (cm)
 60 - 113	89,8 - 69,8 - 59,8	45	15
 69 - 113			

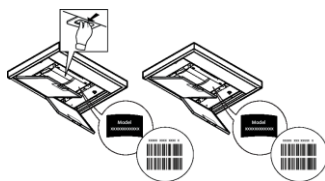


Utstyr som ikke følger ved kjøpet



Du kan laste ned Sikkerhetsinstruksene, Brukerhåndboken, Produktkortet og Energidata ved:

- Besøke vårt nettsted [docs.whirlpool.eu](https://docs.whirlpool.eu)
- Ved å benytte QR-koden
- Alternativt kan du kontakte vår **Ettersalgsservice** (se telefonnummeret i garantiheftet). Når du kontakter vår Ettersalgsservice, vennligst oppgi kodene du finner på produktets typeskilt.



## ALLMÄN SÄKERHET

- Gör alltid fläkten strömlös innan någon typ av underhållsarbete eller rengöring inleds genom att dra ur kontakten eller slå av bostadens huvudströmbrytare.
  - Använd alltid skyddshandskar vid installation och underhållsingrepp.
  - Apparaten får inte användas av barn från 8 års ålder eller personer med reducerad rörelseförmåga eller mental kapacitet, eller personer som saknar erfarenhet och kännedom om apparaten, såtillvida inte användandet övervakas eller instruktioner ges av erfaren person som ansvarar för säkerheten.
  - Barn får inte lämnas utan uppsikt för att förhindra att de leker med apparaten.
  - Rengörings- och underhållsingrepp får inte utföras av barn utan uppsikt.
  - Lokalen skall vara ordentligt ventilerad när köksfläkten används tillsammans med andra apparater vilka drivs med gas och andra typer av bränsle.
  - Flätkåpan ska rengöras regelbundet både invändigt och utvändigt (MINST EN GÅNG I MÅNADEN), anvisningarna i instruktionerna för skötsel måste emellertid följas.
  - Om reglerna för rengöring av flätkåpan samt utbyte och rengöring av filtren inte observeras kan detta medföra brandrisk.
  - Det är strängt förbjudet att flambra mat under fläkten.
  - Använd endast den typ av lampor som anges i denna handbok i kapitlet Underhåll/Byte av lampa när lampan skall bytas ut.
- Öppna lågor skadar filtren och kan orsaka brand och skall därför undvikas i alla lägen. Frityrkokning skall ske under uppsikt för att undvika att överhettad olja fattar eld.
- VARNING:** När spishällen är i funktion kan tillgängliga delar av fläkten hettas upp.
- Anslut inte apparaten till elnätet innan installationen är helt slutförd.
  - Vad beträffar de tekniska föreskrifter och säkerhetsåtgärder som skall vidtas för avledning av utblåsningsluften, skall de föreskrifter som utfärdats av lokala myndigheter nogt efterlevas.
  - Utblåsningsluften får inte ledas in i rökkanal som används för avledning av rökångor som kommer från apparater vilka matas med gas eller andra typer av bränsle.
  - Använd eller lämna aldrig fläkten utan korrekt monterade lampor för att undvika risken för elektriska stötar.
  - Fläkten får aldrig användas utan att gallret är korrekt monterat!
  - Fläkten får ALDRIG användas som avställningsyta om inte detta är uttryckligen angivet.
  - Använd endast de medlevererade fixeringsskruvorna eller införskaffa skruvar av korrekt typ.
  - Använd skruvar med rätt längd enligt föreskrifterna i Installationsguiden. I händelse av tvivel, kontakta Servicekontoret eller behörig personal.

## **⚠ VARNING!**

- I det fall skruvar och fixeringsanordningar inte installeras enligt dessa instruktioner kan elektriska risker uppstå.
- Använd inte med en separat programmeringsenhet, timer, fjärrkontroll eller någon annan anordning, som aktiveras automatiskt.

Håll barn under 3 år borta från apparaten. Apparaten måste förvaras utom räckhåll för barn under 8 år, som inte är under konstant uppsikt av en vuxen.

**⚠ VARNING:** apparaten är inte avsedd att sättas i drift med hjälp av en extern enhet eller ett separat fjärrstyrningssystem.

**⚠** Denna apparat är inte avsedd för professionell användning. Använd inte apparaten utomhus.

**⚠** För att undvika risk för kroppsskador måste förflyttning och installation av apparaten utföras av två eller flera personer.

**⚠** Installationen, inklusive eventuell anslutning till vattenförsörjning (om sådan föreskrivs), samt elektriska anslutningar och reparationsåtgärder, måste utföras av kvalificerad personal.

När installationen har slutförts förvaras förpackningsmaterialet (plastdelar, frigolit etc.) utom räckhåll för barn för att undvika kvävningsrisk. .

Använd inte apparaten om du är blöt eller barfota.

Använd aldrig apparaten för ångrengöring – risk för elstöt.

Förpackningsmaterialet är 100 % återvinningsbart och är märkt med symbolen för återvinning



**Fläktens utseende kan skilja sig från illustrationen i ritningarna i denna handbok men alla anvisningar för användning, underhåll och installation förblir desamma.**

**Följ noga instruktionerna i denna manual.** Tillverkaren fransäger sig allt ansvar för eventuella funktionsfel, skador eller bränder som uppstår på apparaten på grund av att instruktionerna i denna manual inte har respekterats. Fläkten har tillverkats för utsugning av matos och ånga som bildas vid matlagning och är endast ämnad för privat bruk.

- Det är viktigt att spara denna manual så att den när som helst är tillgänglig för framtida konsultationer. I händelse av försäljning, överlåtelse eller flytt skall manualen alltid följa med produkten.
- Läs instruktionerna noga: dessa tillhandahåller viktig information beträffande installation, användning och säkerhet.
- Utför inga elektriska eller mekaniska ändringar på produkten eller avledningskanalerna.
- Kontrollera innan apparaten installeras att inga komponenter är skadade. Kontakta i sådant fall återförsäljaren innan installationen utförs.

Minsta tillåtna avstånd mellan kokkärlets stödyta på spishällen och köksfläktens underkant är 50cm om det är frågan om en elektrisk spis och 65cm om det är frågan om gasspis eller kombinerad gashäll.

**Om spishällens instruktioner anger ett större avstånd skall detta respekteras.**

## **ELANSLUTNING**

Nätspänningen skall motsvara spänningen som anges på märkplåten som sitter inne i fläkten. Om fläkten är utrustad med stickkontakt skall denna anslutas till ett uttag som är lättillgängligt även efter installationen och som uppfyller gällande föreskrifter. I det fall fläkten saknar stickkontakt (*direktanslutning till nätet*), eller om uttaget är placerat på en svåråtkomlig plats skall en godkänd tvåpolig strömbrytare installeras som garanterar en fullkomlig fränkoppling från nätet i samband med överspänningsklass III, i enlighet med installationsbestämmelserna.

## **⚠ VARNING!**


Kontrollera innan fläktens krets ansluts med nätspänningen att den fungerar korrekt och är korrekt monterad.

Om kabeln inte är försedd med stickpropp ska kablarna anslutas enligt följande tabell:

### **Nätspänning och frekvens**

Hänvisa till det värde som anges på etiketten på insidan av fläkten.

### **Trådanslutning**

 : gul/grön

N : blå

L : brun

## **Utbyte av matarkabel**

Fläkten är försedd med en speciell elkabel, kontakta därför vårt tekniska servicekontor om kabeln skadats.



# LUFTUTSLÄPP

(för utsugsversioner)

Rören och utloppsöppningarna i väggen med vilka fläkten skall anslutas bör ha samma diameter som luftutsläppet (anslutningsflänsen).

I det fall man använder rör och utloppsöppningar i väggen med mindre diameter medför detta en lägre utblåsprestanda och en drastisk förhöjning av bullernivån.

Vi avråder oss därför allt ansvar gällande denna typ av problem.

- ! Använd ett så kort rör som möjligt.
- ! Röret skall vara så rakt som möjligt (högsta tillåtna vinkel på böjarna 90°).
- ! Undvik stora skillnader i rörets tvärsnittsarea.
- ! Företaget fransäger sig allt ansvar om dessa förordningar inte respekteras.

## MED FILTER ELLER UTSUG?

! Er fläkfläkt är klar att användas i utsugsversionen.

För att använda fläkten med filterversionen ska det tillhörande TILLBEHÖRSKITSET installeras.

Kontrollera på de första sidorna i denna manual om TILLBEHÖRSKITSET levererats eller om det inköps separat.

**Observera:** Om det levereras med maskinen, kanske det extra filtersystemet i vissa fall redan är installerat på fläkten.

Informationen för omvandling av fläkten från utsugsversion till filterversion finns i denna manual.

## Utsugsversion

Matoset leds ut ur lokalen med hjälp av ett avledningsrör som är fixerat på anslutningsflänsen.

### **WARNING!**

Avledningsröret medlevereras inte och skall införskaffas separat.

Avledningsröret skall ha samma diameter som anslutningsflänsen.

### **WARNING!**

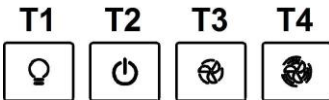
I det fall fläkten är försedd med kolfilter skall dessa tas ur.

## Filterversion

Den utsugna luften avfettas och befrias från odörer innan den leds ut i lokalen igen. När fläkten används med denna version är det nödvändigt att installera ett extra aktivt kolfiltersystem.

## KOMMANDON

Fläkten är utrustad med en manöverpanel med en hastighetskontroll och en strömbrytare för spishällens belysning.



T1. ON/OFF-Strömbrytare för belysning.

T2. Strömbrytare för OFF/Hastighet 1

T3. Val av hastighet 2

T4. Val av hastighet 3

# UNDERHÅLL

## Rengöring

Använd endast en trasa fuktad med neutrala rengöringsmedel vid rengöring. **Använd inte några verktyg eller instrument för rengöringen!**

Undvik produkter som innehåller slipmedel. **ANVÄND INTE ALKOHOL!**

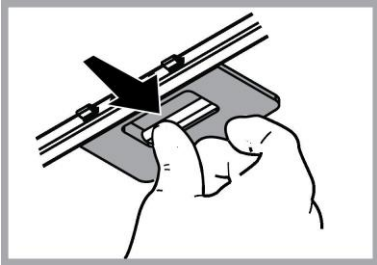
## Skötsel av avfettningfilter

**Detta suger upp fettpartiklar som bildas i samband med matlagningen.**

Filtret skall rengöras en gång i månaden (eller när indikatorn för filtrets mättning – om sådan finns på er modell – anger att detta är nödvändigt), med ett mildt rengöringsmedel, för hand eller i diskmaskin, med låg temperatur och kort program.

Vi tvätt i diskmaskin kan fettfiltret av metall missfärgas utan att detta på något sätt påverkar filtrets uppsugningsförmåga.

När filtret skall monteras ur drar man i handtaget som lossas med hjälp av en fjäder.



## Skötsel av kolfilter

**Kolfiltret fångar upp obehagliga odörer som uppstår i samband med matlagningen.**

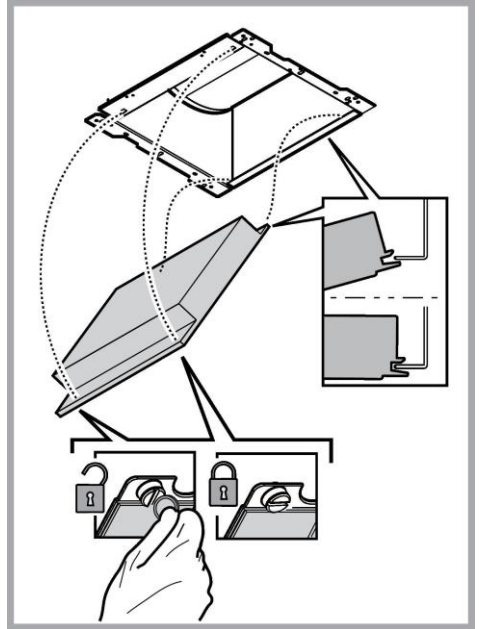
Kolfiltret mätts efter en mer eller mindre lång tidsperiod beroende på i vilken utsträckning fläkten används, på typen av matlagning och hur regelbundet fettfiltren rengörs. Det är under alla händelser nödvändigt att ersätta kolfilterpatronen minst var 4 månad (eller när indikatorn för filtrets mättning – om sådan finns på er modell - anger att detta är nödvändigt). Filtret kan INTE rengöras eller återanvändas.

### Montering

Haka först fast det aktiva kolfiltret baktill på fläktens metallflik och därefter framtill med de båda rattarna.

### Nedmontering

Ta ur det aktiva kolfiltret genom att vrida de båda rattarna med vilka det är fixerat i fläkten 90°.



## Utbyte av lampor

Fläkten är utrustad med ett belysningsssystem som bygger på lysdiodsteknologi.

Lysdioderna garanterar optimal belysning, upp till 10 gånger längre livslängd jämfört med konventionella lampor och möjliggör en energibesparing på 90%.


Kontakta det tekniska servicekontoret för byte av lysdioderna.

## BORTSKAFFNING

Denna produkt är märkt enligt EG-direktiv 2012/19/EC beträffande elektriskt och elektroniskt avfall (Waste Electrical and Electronic Equipment, WEEE).

Genom att säkerställa en korrekt kassering av denna produkt bidrar du till att förhindra potentiella, negativa konsekvenser för vår miljö och vår hälsa, som annars kan bli följden om produkten inte hanteras på rätt sätt.



Symbolen  på produkten, eller i medföljande dokumentation, indikerar att denna produkt inte får behandlas som vanligt hushållsavfall. Den skall istället lämnas in på en lämplig uppsamlingsplats för återvinning av elektrisk och elektronisk utrustning. Produkten måste kasseras enligt lokala miljöbestämmelser för avfallshantering.

För mer information om hantering, återvinning och återanvändning av denna produkt, var god kontakta de lokala myndigheterna, ortens sophanteringstjänst eller butiken där produkten inhandlades.

Apparat utformad, testad och tillverkad i enlighet med:

- Säkerhet: EN/IEC 60335-1; EN/IEC 60335-2-31, EN/IEC 62233.
- Prestanda: EN/IEC 61591; ISO 5167-1; ISO 5167-3; ISO 5168; EN/IEC 60704-1; EN/IEC 60704-2-13; EN/IEC 60704-3; ISO 3741; EN 50564; IEC 62301.
- EMC: EN 55014-1; CISPR 14-1; EN 55014-2; CISPR 14-2; EN/IEC 61000-3-2; EN/IEC 61000-3-3. Råd för en korrekt användning för att minska miljöpåverkan: Sätt PÅ fläkten på minsta farten när du börjar att laga mat och låt den vara på i några minuter efter att du är färdig. Öka farten bara om det skulle uppstå mycket rök och ånga och använd ökad fart bara i extrema fall. Byt ut kolfiltret(en) vid behov för att bevara en god lukt och effektivitet. Rengör fettfiltret vid behov för att bevara fettfiltrets effektivitet. Använd den maximala diametern på ventilationssystemet som indikeras i denna manualen för att förbättra effektiviteten och minimera oljudet.

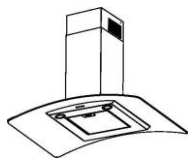
## FUNKTIONSFEL



Om något inte verkar fungera, utför först följande enkla kontroller innan servicekontoret kontaktas:

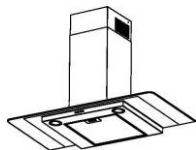
- Om fläkten inte fungerar:  
Kontrollera att:
  - inget strömavbrott förekommer.
  - en hastighet valts.
- Om fläktens prestanda är dålig:  
Kontrollera att:
  - Den valda motorhastigheten är tillräcklig för mängden rök och avgas som släpps ut.
  - Köket är tillräckligt ventilerat för ett luftuttag.
  - Kolfiltret inte är förbrukat (fläkt i filterversion).
- Om fläkten släckts under normal funktion:  
Kontrollera att:
  - inget strömavbrott förekommer.
  - den omnipolära öppningsanordningen inte utlösts.



Vid eventuella funktionsfel, koppla först ifrån apparaten ur elnätet i cirka 5 sekunder genom att dra ur kontakten och sedan ansluta apparaten igen, innan servicekontoret kontaktas. Om ett funktionsfel kvarstår, kontakta servicekontoret.

## TEKNISKA SPECIFIKATIONER



Höjd (cm)	Bredd (cm)	Djup (cm)	Ø rör för utsläpp (cm)
 60 - 113	89,8 - 69,8 - 59,8	45	15
 69 - 113			



Höjd (cm)	Bredd (cm)	Djup (cm)	Ø rör för utsläpp (cm)
 60 - 113	89,8 - 69,8 - 59,8	45	15
 69 - 113			



Komponenter som inte medföljer produkten



Du kan ladda ner Säkerhetsinstruktioner, Bruksanvisning, Produktblad och Energidata genom att:

- Besöka vår webbsida [docs.whirlpool.eu](https://docs.whirlpool.eu)
- Använda QR-koden
- Eller kontakta vår kundservice (Se telefonnumret i garantihäftet). När du kontaktar vår kundservice, ange koderna som står på produktens typskylt.

