

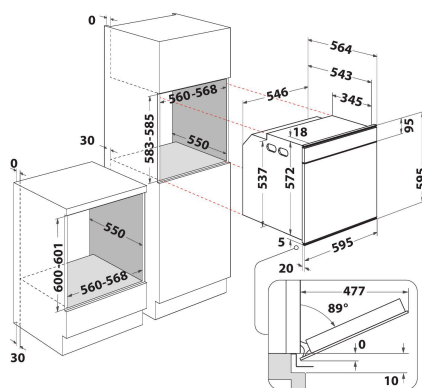
AKZM 8420 NB

12NC: 852584201120

GTIN (EAN) code: 8003437832956

Whirlpool

SENSING THE DIFFERENCE



MAIN FEATURES

| | |
|---------------------------------------|--------------|
| Product group | Pećnica |
| Commercial code | AKZM 8420 NB |
| Main colour of product | Crna |
| Construction type | Ugradbeni |
| Type of control | Electronic |
| Type of control settings | - |
| Brončana | Ne |
| Which kind of hobs can be controlled? | - |
| Automatic programmes | Yes |
| Current (A) | 16 |
| Voltage (V) | 220-240 |
| Frequency (Hz) | 50/60 |
| Length of Electrical Supply Cord (cm) | 90 |
| Plug type | Ne |
| Depth with open door 90 degree (mm) | - |
| Height of the product | 595 |
| Width of the product | 595 |
| Depth of the product | 564 |
| Minimum niche height | 0 |
| Minimum niche width | 0 |
| Niche depth | 0 |
| Net weight (kg) | 35.5 |
| Usable volume (of cavity) | 73 |
| Integrated Cleaning system | Hydrolytic |
| Grids of the cavity | 1 |
| Trays | 2 |

TECHNICAL FEATURES

| | |
|---|----------------|
| Timer | - |
| Time control | Electronic |
| Time-setting options | Start and Stop |
| Safety device | - |
| Interior light | Yes |
| Number of interior lights of the cavity | 1 |
| Position of interior lights of the cavity | Rear |
| Oven guides of the cavity | Telescopic |
| Probe of the cavity | Ne |

ENERGY LABEL

| | |
|---|---------------------|
| Energy input | Electric |
| Type of energy of the cavity | Električna energija |
| Energy efficiency class - NEW (2010/30/EU) | A+ |
| Energy consumption per cycle conventional - NEW (2010/30/EU) | 0.91 |
| Energy consumption per cycle forced air convection - NEW (2010/30/EU) | 0.70 |