

Whirlpool

Refrigerator / User Manual

Congélateur / Réfrigérateur / Manuel d'utilisation

Kühlschrank / Bedienungsanleitung



WHD2 6472 X4E

®/TM/© 2025 Whirlpool. Produced under license_®/TM/© 2025 Whirlpool. Produit sous licence_®/TM/© 2025 Whirlpool. Hergestellt unter Lizenz

15 7550 0182/ EN FR DE / AB_1/4/ 3/6/2025 1:38 PM
7253640956

Table of Contents

| | |
|--|-----------|
| 1 Environmental Instructions | 4 |
| 1.1 Disposal Of Packaging Materials . | 4 |
| 2 Your Refrigerator | 4 |
| 3 Installation..... | 5 |
| 3.1 Right Place For Installation..... | 5 |
| 3.2 Electrical Connection | 5 |
| 3.3 Attaching the Plastic Wedges | 5 |
| 3.4 Adjusting the Legs..... | 6 |
| 3.5 Hot Surface Warning..... | 6 |
| 4 Preparation | 6 |
| 4.1 What To Do For Energy Saving | 6 |
| 4.2 First Use | 6 |
| 4.3 Climate Class and Definitions | 7 |
| 5 Control Panel of the Product | 8 |
| 6 Operating the Product..... | 10 |
| 6.1 Replacing the Illumination Lamp.. | 10 |
| 6.2 Storing Food in the Freezer and Cooler Compartment..... | 11 |
| 7 Door Open Alert | 13 |
| 8 Product Features | 13 |
| 8.1 The ice storage area..... | 13 |
| 8.2 Egg holder | 14 |
| 8.3 Crisper | 14 |
| 8.4 Dairy Products Cold Storage Area | 14 |
| 9 Maintenance and Cleaning | 14 |
| 10 Troubleshooting..... | 15 |

Please read this manual first!

Dear Customer

Thank you for choosing this product.





Please register your products on www.register10.eu

We would like you to achieve the optimal efficiency from this high quality product which has been manufactured with state of the art technology. To do this, carefully read this manual and any other documentation provided before using the product.

Heed all information and warnings in the user manual. This way, you will protect yourself and your product against the dangers that may occur. Keep the user manual. Include this manual with the product if you hand it over to someone else.

The following symbols are used in the user manual and on the product:


| | |
|--|------------------------------|
|  | Read the user manual. |
|--|------------------------------|

| | |
|--|---|
|   | The model information as stored in the product data base can be reached by entering following website and searching for your model identifier (*) found on energy label. https://eprel.ec.europa.eu/ |
| SUPPLIER'S NAME MODEL IDENTIFIER → (*) | |
|  |  |



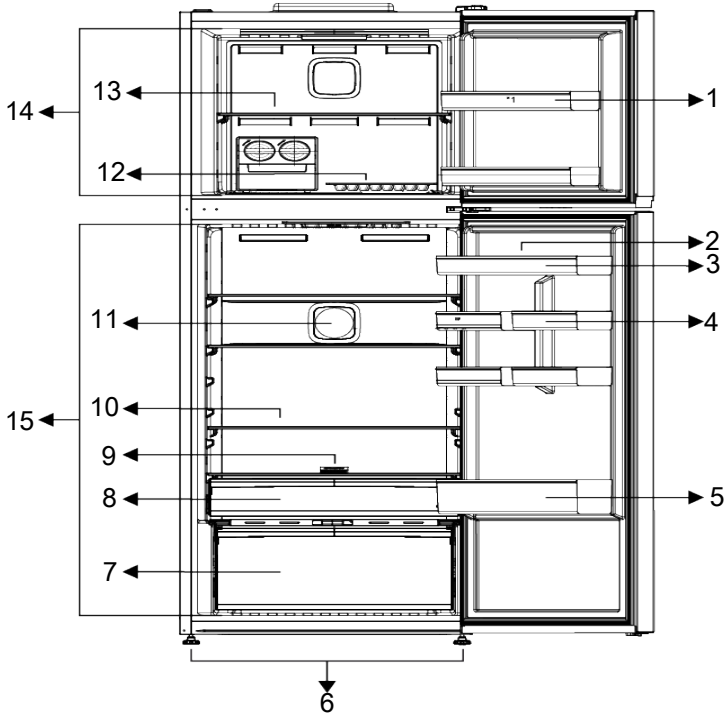
1 Environmental Instructions

1.1 Disposal Of Packaging Materials

The packaging material is recyclable and is marked with the recycle symbol .

The various parts of the packaging must therefore be disposed of responsibly and in full compliance with local authority regulations governing waste disposal.

2 Your Refrigerator



- | | |
|--|--|
| 1 *Freezer compartment door shelves | 2 Egg holder |
| 3 *Cooler compartment door shelves | 4 *Cooler compartment small door shelves |
| 5 *Bottle shelf | 6 Adjustable legs |
| 7 Crisper, crisper separator and ethylene filter | 8 Dairy (cold storage) drawer |
| 9 Filter | 10 *Cooler compartment glass shelves |
| 11 Fan | 12 *Icematic/ ice storage box |
| 13 Freezer compartment glass shelf | 14 Freezer compartment |
| 15 Cooler compartment | |

***Optional:** Figures in this user manual are schematic and may not exactly match your product. If your product does not comprise the relevant parts, the information pertains to other models.

3 Installation

Read the "Safety Instructions" first!

3.1 Right Place For Installation

Contact the Authorized Service for the product's installation. To prepare the product for installation, see the information in the user manual and make sure the electric and water utilities are as required. If not, call an electrician and plumber to arrange the utilities as necessary.

- Place the product on a flat surface to avoid vibration
- Place the product at least 30 cm away from the heater, stove and similar sources of heat and at least 5 cm away from electric ovens.
- When placing two coolers in adjacent position, leave at least 4 cm distance between the two units.
- Keep the product out of direct sunlight and in a dry place.
- Your product requires adequate air circulation to function efficiently. If you place the product in an alcove, remember to leave at least 5 cm clearance between the product and the ceiling, rear wall and the side walls.
- Check if the rear wall clearance protection component is present at its location (if provided with the product).
- If the component is not available, or if it is lost or fallen, position the product so that at least 5 cm clearance shall be left between the rear surface of the product and the wall of the room. The clearance at the rear is important for efficient operation of the product.

3.2 Electrical Connection



Do not use extension cables or multi sockets in power connection.



Damaged power cable must be replaced by Authorized Service.



When placing two coolers in adjacent position, leave at least 4 cm distance between the two units.



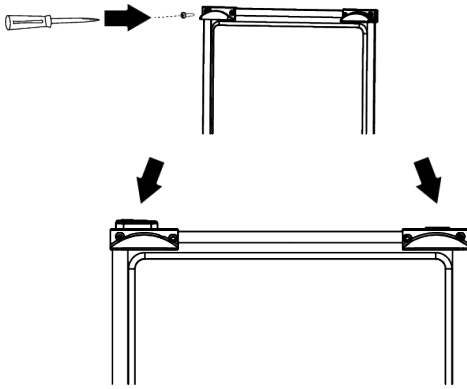
Before transport or use, never open the control board cover on the product. Risk of electric shock and fire!

- Our firm will not assume responsibility for any damages due to usage without earthing and without power connection in compliance with national regulations.
- The power cable plug must be easily accessible after installation.
- Do not use multi-group plug with or without extension cable between the wall socket and the refrigerator.

3.3 Attaching the Plastic Wedges

Use the plastic wedges provided with the product to maintain sufficient space for air circulation between the product and the wall.

1. To attach the wedges, remove the screws on the product and use the screws provided with the wedges.
2. Attach 2 plastic wedges on the ventilation cover as shown in the figure.



3.4 Adjusting the Legs

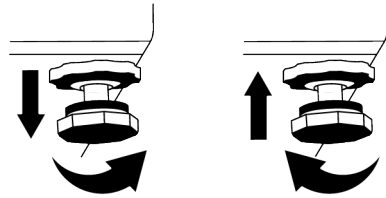
If the product is not in balanced position, adjust the front adjustable legs by rotating them to right or left.

4 Preparation

Read the "Safety Instructions" first!

4.1 What To Do For Energy Saving

- This refrigerating appliance is not intended to be used as a built in appliance.
- When loading the food, leave enough space inside the refrigerator to allow sufficient air circulation for cooling.
- Since hot and humid air will not directly penetrate into your product when the doors are not opened, your product will optimize itself in conditions sufficient to protect your food. Under these circumstances, functions and components such as compressor, fan, heater, defrost, lighting, display and so on will operate according to the needs by consuming minimum energy.
- In case that multiple options are present, glass shelves must be placed so that the air outlets at the rear wall are not blocked and preferably, in a way that air outlets remain below the glass shelf. This combination may help improving air distribution and energy efficiency.
- Using the below drawer when storing is strongly recommended.



3.5 Hot Surface Warning

The side walls of your product are equipped with cooler pipes to enhance the cooling system. High pressure fluid may flow through these surfaces, and cause hot surfaces on the side walls. This is normal and it does not require servicing.

- For optimum performance, Quick Freezing can be used (if available), 24 hours prior to placing fresh foods in the freezer.
- In most cases, 24 hours is enough for the Quick Freezing function after fresh foods are placed in the freezer. After some time, Quick Freezing function will deactivate automatically.
- When freezing a small amount of food, Quick Freezing function can be deactivated after some time to ensure energy saving.
- Food shall be stored using the drawers in the cooler compartment in order to ensure energy saving and protect food in better conditions.

4.2 First Use

Before using your product make sure the necessary preparations are made in line with the instructions in "Safety Instructions" and "Installation" sections.

- Wait for at least 2 hours before operating the product, to ensure the complete efficiency of refrigeration.

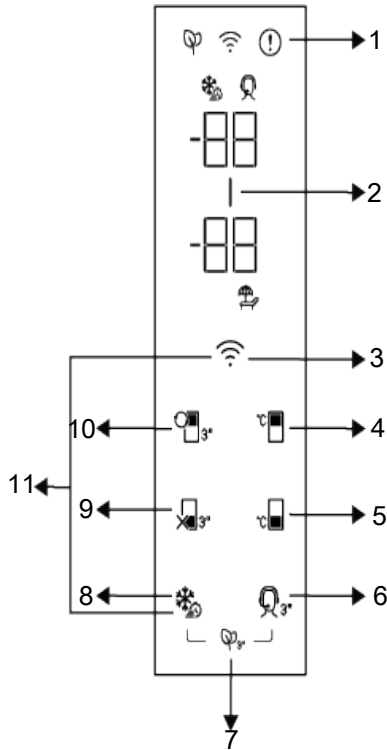
- Keep the product running without placing any food inside for 6 hours and the product door should be kept as closed as possible.
- The temperature change caused by opening and closing of the door while using the product may normally lead to condensation on door/body shelves and glassware placed in the product.
- A sound will be heard when the compressor is engaged. It is normal for the product to make noise even if the compressor is not running, as fluid and gas may be compressed in the cooling system.
- It is normal for the front edges of the product to be warm. These areas are designed to warm up in order to prevent condensation
- For some models, indicator panel turns off automatically 1 minute after the door closes. It will be reactivated when the door is opened or any button is pressed.

4.3 Climate Class and Definitions

Please refer to the Climate Class on the rating plate of your device. One of the following information is applicable to your device according to the Climate Class.

- **SN:** Long Term Temperate Climate: This cooling device is designed for use at ambient temperatures between 10 °C and 32 °C.
- **N:** Temperate Climate: This cooling device is designed for use at ambient temperatures between 16°C and 32 °C.
- **ST:** Subtropical Climate: This cooling device is designed for use at ambient temperatures between 16°C and 38°C.
- **T:** Tropical Climate: This cooling device is designed for use at ambient temperatures between 16°C and 43°C.

5 Control Panel of the Product



- | | |
|---|---|
| 1 Error Status Indicator | 2 Energy Saving (Display Off) Indicator |
| 3 *Wireless Key | 4 Freezer Compartment Temperature Setting Key |
| 5 Cooler Compartment Temperature Setting Key | 6 *Support Service Key |
| 7 *Deodoriser Module Key | 8 *Quick Freezing Key/Handle Light Function Setting Key |
| 9 *Cooler Compartment Off (Vacation) Function Key | 10 *Compartment Conversion Key |
| 11 Key for Resetting Wireless Connection Settings | |

Read the "Safety Instructions" first!
Auditory and visual functions on the indicator panel will assist you in using the refrigerator.

*Optional: Shown functions are optional, there may be differences of shape and location in functions found on your appliance's indicator panel.

1. Fault Status Indicator

This indicator will be active when your refrigerator cannot perform adequate cooling or in case of any sensor error. "E" will be displayed on the freezer compartment temperature indicator and figures such as 1,2,3... will be displayed on the cooler compartment temperature indicator. These figures provide information to the authorized service on the error that has occurred.

Exclamation mark may be displayed for a while when you load warm food to the freezer compartment or keep the door open for a long period of time. This is not a fault, this warning will be removed when the food is cooled down or when any key is pressed.

2. Energy Saving (Display Off) Indicator

Energy saving function is enabled automatically and the energy saving symbol lights up when the door of the product is not opened or closed for some period of time. When the energy saving function is active, all symbols on the screen except the energy saving symbol will be turned off. When the energy saving function is active, if you press any key or open the door, the energy saving function will be deactivated and the symbols on the screen will return to normal. The energy saving function is a function activated ex-factory and cannot be cancelled.

3. *Wireless Key

When the key is pressed for a long period (3 seconds), the wireless connection symbol on the display/screen flashes slowly (at 0.5 second intervals). The home network is initialized on the product this way.

After achieving wireless connection with the product, wireless connection symbol illuminates continuously.

When the initial connection is established, you may activate/deactivate the connection with a short press on this key. The wireless connection symbol will flash quickly (at 0.2 second intervals) until the

connection is established. When the connection is active, the wireless network symbol will illuminate continuously.

If the connection cannot be established for a long period, check your connection settings and refer to the "Troubleshooting" section provided in the user manual.

HomeWhiz application will be used for wireless connection. The installation steps are described on the application during installation.

You may access the application by reading the QR code available on the HomeWhiz label on the product. Application is offered through App Store for IOS devices, and through Play Store for Android devices. Visit <https://www.homewhiz.com/> address for detailed information.

4. The Freezer Compartment Temperature Setting Key

Temperature setting is made for freezer compartment. Pressing this key will enable the freezer compartment temperature to be set at -18,-19,-20,-21,-22,-23,-24 Celsius.

5. Cooler Compartment Temperature Setting Key

Allows setting of temperature for cooler compartment. When this key is pressed on, the cooler compartment temperature is set to 8,7,6,5,4,3,2 and 1 Celsius values

6. *Support Service Key 3"

Press this key for 3 seconds to activate/deactivate the support service. Detailed information on the support service is provided in the "Support Service Feature" section.

7. *Deodoriser Module Key 3"

Press this key for 3 seconds to activate/deactivate the deodoriser feature. When the deodoriser feature is active, the LED on the respective key is illuminated. When the feature is active, the deodoriser module will be operated periodically.

8. Quick Freezing Key

When the quick freezing key is pressed, the LED on the key is illuminated and the quick freezing function will be activated. Freezer compartment temperature is set to -27 Celsius. Press the key again to cancel the function. The quick freezing function will be cancelled automatically. To freeze a large amount of fresh food, press the quick freezing key before placing the food in the freezer compartment.

*Handle Light Function Setting Key

Handle light function might be switched between open and closed modes by pressing the quick freezing key for 3 seconds. In the closed mode, the handle light is only activated when the appliance door is opened and it goes out after a while after the door is closed. In the open mode, the handle light is activated when the appliance door is opened, the handle light stays on dimly after a while after the door is closed. The handle light function is set to the ex-factory closed mode.

9.*Cooler Compartment Off (Vacation)

Function Key

Press the key for 3 seconds to activate the vacation function. Vacation mode is activated and the vacation symbol is illuminated. "--" will be displayed on the Cooler Compartment temperature indicator and the cooler compartment does not act-

ively perform cooling. You should not keep your food in the cooler compartment if you activate this function. The other compartments continue to cool according to temperatures set before. Press the key for 3 seconds again to cancel this function.

10. *Compartment Conversion Key

Pressing compartment conversion key for 3 seconds, the freezer compartment switches between cooler, off and freezer modes, respectively. If it is operated as the cooler compartment, the temperature of the compartment will be set as 4 Celsius. In the off mode, compartment temperature indicator shall display "--".

11. Key for Resetting Wireless Connection Settings

To reset the wireless connection settings, press on Quick freezing and Wireless connection keys simultaneously for 3 seconds. All user information recorded previously are removed on a product where wireless connection settings are reset/restored to factory defaults.

The temperature can be set between 1-8°C for the chiller compartment and between -24 and -15°C for the freezer compartment. Adjustable temperature values may vary provided that they are within these ranges according to product specifications.

6 Operating the Product

Read the "Safety Instructions" first!

- The product shall be used for storing food only.
- Turn off the water valve if you will be away from home (e.g. at vacation) and you will not be using the Icematic or the water dispenser for a long period of time. Otherwise, water leaks may occur.

Unplugging the Product

- Remove the food to prevent odours,

- Wait for the ice to melt, clean the interior and let it dry, leave the doors open to avoid damaging the inner body plastics.

6.1 Replacing the Illumination Lamp

Call the Authorized Service when the Bulb/LED used for lighting in your refrigerator will be replaced.

Lamp(s) used in this appliance cannot be used for house lighting. Intended use of this lamp is to help the user place food into the refrigerator / freezer safely and comfortably.

6.2 Storing Food in the Freezer and Cooler Compartment

Storing food in the freezer compartment

- You can activate Quick Freezing function 4-6 hours before freezing function and perform a faster cooling.
- Bring hot meals to the room temperature before placing them in the freezer compartment.
- Foods to be frozen must be divided into portions according to a size to be consumed, and frozen in separate packages.
- It is recommended to pack the foods before placing them in the freezer.
- In order to prevent expiration of storage time, write the freezing date, time and name of the product on the package according to the storage times of different foods.
- Consume the foods you have defrosted quickly. Defrosted foods cannot be frozen again unless they are cooked. It is not safe to consume the refrozen fresh foods without cooking after they are defrosted.

- As you freeze fresh foods, do not bring them in contact with already frozen foods. Otherwise, frozen foods will be defrosted.

Storing the foods, which are sold frozen

- When storing food, follow the time periods specified in these instructions.
- In order to protect the quality of the food, keep the time interval between purchasing transaction and storing as short as possible.
- Buy frozen food which are stored at -18°C or lower temperatures.
- Avoid buying foods whose packages are covered with ice etc. This means that the product could be partially defrosted and refrozen. Temperature impacts the quality of the food.
- Do not exceed the storing time recommended by the food producer. Remove only the food as much as you need from the freezer.
- Except the cases where extreme circumstances are available in the environment, if your product (on the recommended set values table) is set to the specified set values, the food keep their freshness for a longer time both in the fresh product compartment and freezer compartment.
- If fresh food compartment is set to a lower temperature, fresh fruits and vegetables may be partially frozen.

Recommended set values table

| Freezer Compartment Setting | Fridge Compartment Setting | Remarks |
|-------------------------------------|----------------------------|--|
| -18°C | 4°C | This is the default, recommended setting. This setting is recommended if ambient temperature is below 30°C . |
| $-20, -22$ or -24°C | 4°C | These settings are recommended for ambient temperatures exceeding 30°C . |
| Quick Freeze | 4°C | Use when you want to freeze your food in a short time. When the process ends, the product's settings will return to previous position. |
| -18°C or colder | 2°C | Use these settings if you believe the cooler compartment is not cold enough due to ambient temperature or frequently opening the door. |

Quick freezing

1. Activate the quick freezing function 24 hours before placing your fresh foods.

2. After 24 hours after pressing the button, place your food that you want to freeze on the first shelf with higher freezing capacity.
3. The quick freezing function is automatically cancelled after a period of time.

Freezer details

As per the IEC 62552 standards, the freezer must have the capacity to freeze 4,5 kg of food items at -18°C or lower temperatures at 25°C room temperature in 24 hours for each 100 litres of freezer compartment volume.

Food products can only be preserved for extended periods at or below temperature of -18 °C.

You can keep the foods fresh for months (in freezer at or below temperatures of -18 °C).

The food products to be frozen must not contact the already-frozen food inside to avoid partial defrosting.

Boil the vegetables and filter the water to extend the frozen storage time. Place the food in air-tight packages after filtering and place in the freezer. Bananas, tomatoes, lettuce, celery, boiled eggs, potatoes and similar food items should not be frozen. In case these foods are frozen, only nutritional values and eating qualities will be negatively affected. A rotting that would threaten human health is not in question.

Placing the food

Freezer compartment shelves: Different frozen foods like meat, fish, ice cream, vegetables etc.

Cooler compartment shelves: Food items inside pots, capped plate and capped cases, eggs (in closed case)

Cooler compartment door shelves: Small and packaged food or beverages

Crisper: Vegetables and fruits

Fresh food compartment: Delicatessen (breakfast food, meat products to be consumed in short time)

Storing food in the cooler compartment

- Compartment temperatures rise prominently if compartment door is opened and closed frequently and kept open for a long time, this can reduce the life span of the food and cause the food to spoil.

- In order not to cause odour and taste changes, the food should be stored in the closed containers.
- Do not store too much food in your refrigerator. To achieve a better and homogeneous cooling, place the food separately in a way that cold air can wander through them.
- Provide air flow by leaving a space between the food and internal wall. If you lean the food against the rear wall, the food may freeze.
- Bring cooked hot meals to the room temperature before placing them in the refrigerator. Then, you can place the tepid meal in the lower shelves of your refrigerator. Do not place the tepid meals close to the foods which may easily spoil.
- Defrost your frozen food in the fresh food compartment. Thereby, you can cool fresh food compartment by using frozen food and save energy.
- Storing unripe tropical fruits (mango, melon varieties, papaya, banana, pineapple) in the refrigerator may speed up the ripening process. This is not recommended because it will cause shorter storage time.
- You should store onions, garlicks, gingers and other root vegetables in dark and cold room conditions, not in the refrigerator.
- If you notice that a food has spoiled in the refrigerator, throw away that food and clean the accessories which have come into contact with it.
- In order to cool the meals like soups and stews, which are cooked in the large pots, quickly, you can put them in the refrigerator by separating them into their own shallow containers.
- Do not place unpackaged food close to eggs.
- Keep the fruits and vegetables separately and store each variety together (for example; apples with apples, carrots with carrots).

- Take green vegetables out of the plastic bag and place them in the refrigerator after wrapping them in a paper towel or drying cloth. If you wash this type of food before placing them in the refrigerator, remember to dry them.
- You can both create a damp environment and provide an air flow by keeping fruits and vegetables, which are prone to drying, in the perforated or unsealed plastic bags.
- Except the cases where extreme circumstances are available in the environment, if your product (on the recommended set values table) is set to the specified set values, the food keep their freshness for a longer time both in the fresh product compartment and freezer compartment.

Store different food in different places according to their properties.

| Food | Location |
|---|---|
| Egg | Door Shelf |
| Dairy products (butter, cheese) | If available, zero degree (for breakfast food) compartment |
| Fruits, vegetables and greenery | Fruit-vegetable compartment, crisper or EverFresh+ compartment (if available) |
| Fresh meat, poultry, fish, sausage etc. Cooked foods | If available, zero degree (for breakfast food) compartment |
| Ready to serve foods, packaged products, canned foods and pickles | Top shelves or door shelf |
| Beverages, bottles, spices and snacks | Door Shelf |

7 Door Open Alert

The door open alert system of your refrigerator may differ depending on the model.

Version 1;

If the door of the product remains open for a certain time (between 60 s and 120 s), an audio warning signal sounds; depending on the product model, a visual warning signal (light flash) can also be displayed. If you close the door of the device or press a button on the screen of the device, if any, the warning sound will stop.

Version 2;

If the door of the device remains open for a certain period of time (between 60 s and 120 s), the door open alert is sounded. The door open alert is sounded gradually. First, an audible warning starts to sound. After 4 minutes, if the door is still not closed, a visual warning (lighting flash) is activated. The door open alert will be delayed for a certain period of time (between 60 s and 120 s) when any key on the product screen, if any, is pressed. Then the process will start again. When the device door is closed, the door open alert will be cancelled.

8 Product Features

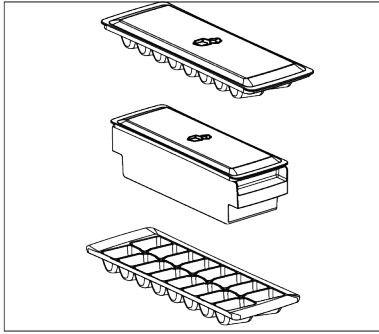
8.1 The ice storage area

Ice Container

Ice bucket allows you take ice easily from the refrigerator.

Using the ice bucket

1. Take the ice bucket out of the freezer compartment.
2. Fill the ice bucket with water.
3. Place the ice bucket into the freezer compartment. The ice will be ready after approximately two hours.
4. Take the ice bucket from the freezer compartment and bend in slightly over the holder that you are going to serve. Ice will easily pour into the serving holder.



8.2 Egg holder

You can place the egg holder on the door or body shelf you wish.

If the egg holder is to be placed on the body shelf, we recommend you to choose colder lower shelves.

- Never place the egg holder on the freezer compartment.

9 Maintenance and Cleaning

Read the "Safety Instructions" first!

Before cleaning your product, unplug it or de-energize the fuse to which it is connected.

Do not place your hands, feet or metal objects under the refrigerator or between the refrigerator and the floor for whatsoever reason. Jamming may occur or any sharp edge may cause personal injuries.

- Do not use sharp or abrasive tools to clean the product. Do not use materials such as household cleaning agents, soap, detergents, gas, gasoline, thinner, alcohol, wax, etc.
- The dust shall be removed from the ventilation grill on the rear of the product at least once a year (without opening the cover). Clean the product with a dry cloth.
- Take care to keep water away from the lamp's cover and other electrical parts.
- Clean the door with a damp cloth. Remove all contents to remove the door and body racks. Remove the door racks

8.3 Crisper

The refrigerator's crisper is designed to keep vegetables fresh by preserving their humidity. For this purpose, the overall cold air circulation is intensified in the crisper. Keep fruits and vegetables in this compartment. Keep the green-leaved vegetables and fruits separately to prolong their life.

8.4 Dairy Products Cold Storage Area

Cold Storage Drawer

The Cold Storage Drawer can reach lower temperatures in the cooler compartment. Use this drawer for delicatessen products (salami, sausage, etc.) and dairy products that require colder storage conditions, or for meat, chicken or fish to be consumed quickly. It is not suitable to store fruits and vegetables in this drawer.

by lifting them upwards. Clean and dry the shelves, then attach back in place by sliding from above.

- Do not use chlorinated water or cleaning products on the exterior surface and chrome coated parts of the product. Chlorine will cause rust on such metallic surfaces.
- Do not use sharp and abrasive tools, soap, house cleaning materials, detergents, gas, gasoline, varnish and similar substances to prevent deformation of and removal of prints on the plastic part. Use warm water and a soft cloth for cleaning, and then dry it.
- On the products without a No-Frost feature, water droplets and icing up to a thickness of a finger may occur on the rear wall of the cooler compartment. Do not clean, and never apply oils or similar materials.

- Use only a mildly dampened micro-fibre cloth to clean the external surface of the product. Sponges and other types of cleaning clothes may cause scratches.
- To clean all removable components during the cleaning of the interior surface of the product, wash these components with a mild solution consisting of soap, water and carbonate. Wash and dry thoroughly. Prevent contact of water with illumination components and the control panel.
- Do not use vinegar, rubbing alcohol or other alcohol based cleaning agents on any interior surface.

Stainless Steel External Surfaces

Use a non-abrasive stainless steel cleaning agent and apply it with a soft lint-free cloth. To polish, gently wipe the surface with a mi-

cro-fibre cloth dampened with water and use dry polishing chamois. Always follow the veins of the stainless steel.

Preventing Odours

The product is manufactured free of any odorous materials. However, inappropriately storing food and improper cleaning of internal surfaces may lead to odours.

- To avoid this, clean the inside with carbonated water every 15 days.
- Keep the foods in sealed holders, as micro-organisms arising from foods kept in unsealed containers will cause bad odour.
- Do not keep expired and spoiled foods in the refrigerator.

Protecting Plastic Surfaces

Oil spilled on plastic surfaces may damage the surface and must be cleaned immediately with warm water.

10 Troubleshooting

Read the "Safety Instructions" first!

Check this list before contacting the service. Doing so will save you time and money. This list includes frequent complaints that are not related to faulty workmanship or materials. Certain features mentioned herein may not apply to your product.

If the problem persists after following the instructions in this section, contact your vendor or an Authorized Service. Do not try to repair the product.

The refrigerator is not working.

- The power plug is not fully settled. >>> Plug it in to settle completely into the socket.
- The fuse connected to the socket powering the product or the main fuse is blown. >>> Check the fuse.

Condensation on the side wall of the cooler compartment (MULTI ZONE, COOL CONTROL and FLEXI ZONE).

- The door is opened too frequently. >>> Take care not to open the product's door too frequently.

- The environment is too humid. >>> Do not install the product in humid environments.
- Foods containing liquids are kept in unsealed holders. >>> Keep the foods containing liquids in sealed holders.
- The product's door is left open. >>> Do not keep the product's door open for long periods.
- The thermostat is set to a very cool temperature. >>> Set the thermostat to an appropriate temperature.

Compressor is not working.

- In case of sudden power failure or pulling the power plug off and putting back on, the gas pressure in the product's cooling system is not balanced, which triggers the compressor thermic safeguard. The product will restart after approximately 6 minutes. If the product does not restart after this period, contact the service.
- Defrosting is active. >>> This is normal for a fully-automatic defrosting product. The defrosting is carried out periodically.
- The product is not plugged in. >>> Make sure the power cord is plugged in.

- The temperature setting is incorrect. >>> Select the appropriate temperature setting.
- The power is out. >>> The product will continue to operate normally once the power is restored.

The refrigerator's operating noise is increasing while in use.

- The product's operating performance may vary depending on the ambient temperature variations. This is normal and not a malfunction.

The refrigerator runs too often or for too long.

- The new product may be larger than the previous one. Larger products will run for longer periods.
- The room temperature may be high. >>> The product will normally run for long periods in higher room temperature.
- The product may have been recently plugged in or a new food item is placed inside. >>> The product will take longer to reach the set temperature when recently plugged in or a new food item is placed inside. This is normal.
- Large quantities of hot food may have been recently placed into the product. >>> Do not place hot food into the product.
- The doors were opened frequently or kept open for long periods. >>> The warm air moving inside will cause the product to run longer. Do not open the doors too frequently.
- The freezer or cooler door may be ajar. >>> Check that the doors are fully closed.
- The product may be set to a temperature that is too low. >>> Set the temperature to a higher degree and wait for the product to reach the adjusted temperature.
- The cooler or freezer door washer may be dirty, worn out, broken or not properly settled. >>> Clean or replace the gasket.

Damaged / torn door washer will cause the product to run for longer periods to preserve the current temperature.

The freezer temperature is very low, but the cooler temperature is adequate.

- The freezer compartment temperature is set to a very low degree. >>> Set the freezer compartment temperature to a higher degree and check again.

The cooler temperature is very low, but the freezer temperature is adequate.

- The cooler compartment temperature is set to a very low degree. >>> Set the cooler compartment temperature to a higher degree and check again.

The food items kept in cooler compartment drawers are frozen.

- The cooler compartment temperature is set to a very low degree. >>> Set the cooler compartment temperature to a higher degree and check again.

The temperature in the cooler or the freezer is too high.

- The cooler compartment temperature is set to a very high degree. >>> Temperature setting of the cooler compartment has an effect on the temperature in the freezer compartment. Wait until the temperature of relevant parts reach the sufficient level by changing the temperature of cooler or freezer compartments.
- The doors were opened frequently or kept open for long periods. >>> Do not open the doors too frequently.
- The door may be ajar. >>> Fully close the door.
- The product may have been recently plugged in or a new food item is placed inside. >>> This is normal. The product will take longer to reach the set temperature when recently plugged in or a new food item is placed inside.
- Large quantities of hot food may have been recently placed into the product. >>> Do not place hot food into the product.

Shaking or noise.

- The surface is not flat or durable >>> If the product is shaking when moved slowly, adjust the stands to balance the product. Also make sure the ground is sufficiently durable to bear the product.
- Any items placed on the product may cause noise. >>> Remove any items placed on the product.
- The product is making noise of liquid flowing, spraying etc.
- The product's operating principles involve liquid and gas flows. >>> This is normal and not a malfunction.

There is sound of wind blowing coming from the product.

- The product uses a fan for the cooling process. This is normal and not a malfunction.

There is condensation on the product's internal walls.

- Hot or humid weather will increase icing and condensation. This is normal and not a malfunction.
- The doors were opened frequently or kept open for long periods. >>> Do not open the doors too frequently; if open, close the door.
- The door may be ajar. >>> Fully close the door.

There is condensation on the product's exterior or between the doors.

- The ambient weather may be humid, this is quite normal in humid weather. >>> The condensation will dissipate when the humidity is reduced.

The interior smells bad.

- The product is not cleaned regularly. >>> Clean the interior regularly using sponge, warm water and carbonated water.

- Certain holders and packaging materials may cause odour. >>> Use holders and packaging materials without free of odour.
- The foods were placed in unsealed holders. >>> Keep the foods in sealed holders. Micro-organisms may spread out of unsealed food items and cause bad odour.
- Remove any expired or spoiled foods from the product.

The door is not closing.

- Food packages may be blocking the door. >>> Relocate any items blocking the doors.
- The product is not standing in full upright position on the ground. >>> Adjust the stands to balance the product.
- The surface is not flat or durable >>> Make sure the surface is flat and sufficiently durable to bear the product.

The crisper is jammed.

- The food items may be in contact with the upper section of the drawer. >>> Reorganize the food items in the drawer.

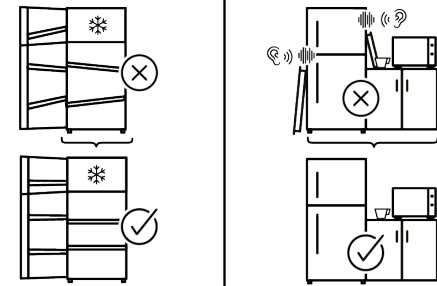
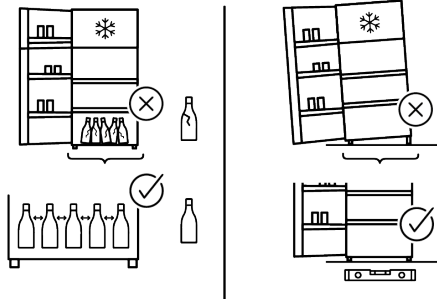
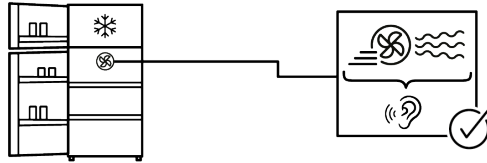
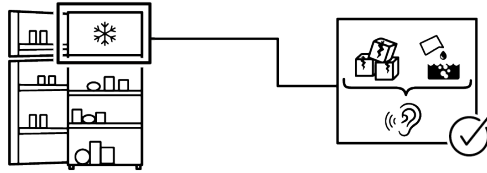
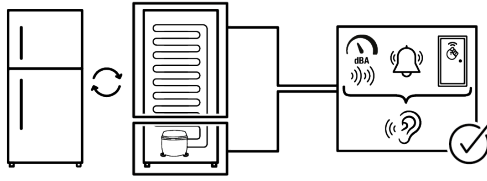
Temperature on the product surface.

- High temperature may be observed between two doors, on the side panels and on the rear grill area while your product is operated. This is normal and it does not require servicing.

Fan continues to operate when the door is opened.

- Fan may continue to operate when the freezer door is open.

If the problem persists after following the instructions in this section, contact your vendor or an Authorized Service. Do not try to repair the product. This is normal.



DISCLAIMER

Some (simple) failures can be adequately handled by the end-user without any safety issue or unsafe use arising, provided that they are carried out within the limits and in accordance with the following instructions (see the "Self-Repair" section).

Therefore, unless otherwise authorized in the "Self-Repair" section below, repairs shall be addressed to registered professional repairers in order to avoid safety issues. A registered Professional repairer is a professional repairer that has been granted access to the instructions and spare parts list of this product by the manufacturer according to the methods described in legislative acts pursuant to Directive 2009/125/EC.

However, only the service agent (i.e. authorized professional repairers) that you can reach through the phone number given in the user manual/warranty card or through your authorized dealer may provide service under the guarantee terms. Therefore, please be advised that repairs by professional repairers (who are not authorized by) Whirlpool shall void the guarantee.

Self-Repair

Self-repair can be done by the end-user with regard exclusively to the following spare parts: door handles, door hinges, trays, baskets and door gaskets (an updated list is also available <https://parts-selfservice.europeanappliances.com> as of 1st March 2021).

Moreover, to ensure product safety and to prevent risk of serious injury, the mentioned self-repair shall be done following the instructions in the user manual for selfrepair or which are available in <https://parts-selfservice.europeanappliances.com>. For your safety, unplug the product before attempting any self-repair.

Repair and repair attempts by end-users for parts not included in such list and/or not following the instructions in the user manuals for self-repair or which are available in <https://parts-selfservice.europeanappliances.com>, might give rise to safety issues not attributable to Whirlpool, and will void the warranty of the product.

Therefore, it is highly recommended that end-users refrain from the attempt to carry out repairs falling outside the mentioned list of spare parts, contacting in such cases authorized professional repairers or registered professional repairers. On the contrary, such attempts by end-users may cause safety issues and damage the product and subsequently cause fire, flood, electrocution and serious personal injury to occur.

By way of example, but not limited to, the following repairs must be addressed to authorized professional repairers or registered professional repairers: compressor, cooling circuit, main board, inverter board, display board, etc.

The manufacturer/seller cannot be held liable in any case where end-users do not comply with the above.

The spare part availability of the refrigerator that you purchased is 10 years. During this period, original spare parts will be available to operate the refrigerator properly. The minimum duration of guarantee of the refrigerator that you purchased is 24 months.

This product is equipped with a lighting source of the "G" energy class.

The lighting source in this product shall only be replaced by Professional repairer.

See also

2 CLAUSE DE NON-RESPONSABILITÉ

[] 43]

Table des matières

| | | |
|-----------|---|-----------|
| 1 | Instructions environnementales | 24 |
| 1.1 | Élimination des matériaux d'emballage..... | 24 |
| 2 | Votre réfrigérateur | 25 |
| 3 | Installation..... | 26 |
| 3.1 | Le bon endroit pour l'installation.. | 26 |
| 3.2 | Branchement électrique..... | 26 |
| 3.3 | Fixation des cales en plastique | 26 |
| 3.4 | Réglages des pieds avant..... | 27 |
| 3.5 | Attention aux surfaces chaudes... | 27 |
| 4 | Préparation..... | 27 |
| 4.1 | Moyens d'économiser l'énergie.... | 27 |
| 4.2 | Première utilisation | 28 |
| 4.3 | Classe climatique et définitions ... | 28 |
| 5 | Panneau de contrôle du produit..... | 29 |
| 6 | Fonctionnement de l'appareil | 32 |
| 6.1 | Remplacement de la lampe d'éclairage..... | 32 |
| 6.2 | Stockage des aliments dans le compartiment du congélateur et du réfrigérateur | 32 |
| 7 | Alerte de porte ouverte | 35 |
| 8 | Caractéristiques du produit..... | 35 |
| 8.1 | La zone de stockage de la glace.. | 35 |
| 8.2 | Porte-œuf | 36 |
| 8.3 | Bac à légumes | 36 |
| 8.4 | Zone d'entreposage frais des produits laitiers | 36 |
| 9 | Entretien et nettoyage..... | 36 |
| 10 | Dépannage..... | 37 |

Premièrement veuillez lire ce manuel !

FR

Cher client, chère cliente,

Nous vous remercions d'avoir choisi ce produit.

Veuillez enregistrer vos produits sur www.register10.eu

Nous aimerions que vous obteniez une efficacité optimale de cet appareil de haute qualité qui a été fabriqué avec une technologie de pointe. Pour ce faire, lisez attentivement ce manuel et toute autre documentation fournie avant d'utiliser le produit.

Tenez compte de toutes les informations et avertissements du manuel d'utilisation. De cette façon, vous vous protégez, vous et votre appareil, contre les dangers qui peuvent survenir. Conservez le manuel d'utilisation. Joignez ce guide à l'unité si vous le remettez à quelqu'un d'autre.

Les symboles suivants sont utilisés dans le manuel de l'utilisateur et sur le produit :



Lisez le manuel d'utilisation.



ENERG



SUPPLIER'S NAME

MODEL IDENTIFIER → (*)

A

A


Les informations sur le modèle, telles qu'elles sont enregistrées dans la base de données des produits, peuvent être obtenues en accédant au site web suivant et en recherchant l'identifiant du modèle (*) figurant sur l'étiquette énergétique.

<https://eprel.ec.europa.eu/>



1 Instructions environnementales

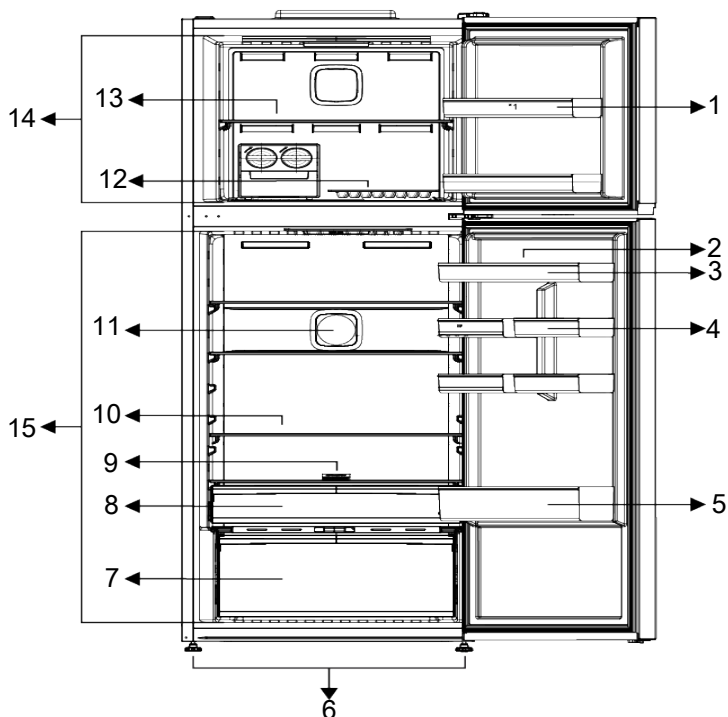
1.1 Élimination des matériaux d'emballage

Les matériaux d'emballage sont recyclables et sont marqués du symbole de recyclage .

Les différentes parties de l'emballage doivent donc être éliminées de manière responsable et dans le respect des réglementations locales en matière d'élimination des déchets.

2 Votre réfrigérateur

FR



- | | |
|--|--|
| 1 Balconnets de la porte du compartiment congélateur | 2 Porte-œuf |
| 3 * Balconnets de la porte du compartiment réfrigérateur | 4 * Compartiment réfrigéré petites étagères de porte |
| 5 Étagère pour les bouteilles | 6 Pieds réglables |
| 7 Crispeur, séparateur de cristaux et filtre à éthylène | 8 * Tiroir de stockage des produits laitiers |
| 9 Filtre | 10 * Etagère en verre du compartiment réfrigéré |
| 11 Ventilateur | 12 Icematic/boîte de stockage de glace |
| 13 Étagère en verre du compartiment congélateur | 14 Compartiment congélateur |
| 15 Compartiment réfrigérateur | |

***En option** : Les illustrations présentées dans ce manuel d'utilisation sont schématisées et peuvent ne pas correspondre

exactement à votre produit. Si votre appareil ne présente pas les parties citées, alors l'information s'applique à d'autres modèles.

3 Installation

Lisez d'abord les « Consignes de sécurité » !

3.1 Le bon endroit pour l'installation

Contactez le service agréé pour l'installation de votre réfrigérateur. Pour préparer l'installation du réfrigérateur, lisez attentivement les instructions du manuel d'utilisation et assurez-vous que les équipements électriques et d'approvisionnement d'eau sont installés convenablement. Si ce n'est pas le cas, appelez un électricien et un plombier pour faire le nécessaire pour les services publics.

- Placez l'appareil sur une surface plane pour éviter les vibrations
- Placez le produit à 30 cm du chauffage, de la cuisinière et des autres sources de chaleur similaires et à au moins 5 cm des fours électriques.
- Lorsque deux réfrigérateurs sont installés côte à côte, laissez au moins 4 cm de distance entre les deux appareils
- Conservez l'appareil à l'abri de la lumière directe du soleil et dans un endroit sec.
- Votre appareil nécessite une circulation d'air adéquate pour pouvoir fonctionner efficacement. Si vous placez l'appareil dans une alcôve, n'oubliez pas de laisser un espace d'au moins 5 cm entre l'appareil, le plafond, la paroi arrière et les parois latérales.
- Vérifiez que l'élément de protection d'espace de la façade arrière est présent à son emplacement (au cas où il est fourni avec l'appareil).
- Si l'élément n'est pas disponible, perdu ou tombé, positionnez l'appareil de manière à laisser un espace d'au moins 5 cm entre la surface arrière de l'appareil et les murs de la pièce. L'espace prévu à l'arrière est important pour le fonctionnement efficace de l'appareil.

3.2 Branchement électrique



N'utilisez pas de câbles de rallonge ou de prises multiples pour le branchement électrique.



Les câbles d'alimentation endommagés doivent être remplacés par le service agréé.



Lorsque deux réfrigérateurs sont installés côte à côte, laissez au moins 4 cm de distance entre les deux appareils



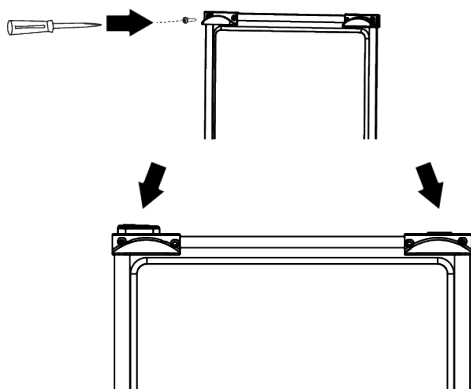
Avant le transport ou l'utilisation, n'ouvrez jamais le couvercle de la carte de contrôle du produit. Risque de choc électrique et d'incendie !

- Notre entreprise ne sera pas tenue responsable de tout dommage résultant de l'utilisation de l'appareil sans prise de mise à la terre ou branchement électrique conforme à la norme nationale en vigueur.
- Gardez la fiche du câble d'alimentation à portée de main après l'installation.
- N'utilisez pas de fiche multigroupe avec ou sans rallonge entre la prise murale et le réfrigérateur.

3.3 Fixation des cales en plastique

Utilisez les cales en plastiques fournies avec le réfrigérateur pour maintenir une circulation d'air suffisante entre le réfrigérateur et le mur.

1. Pour fixer les cales, retirez les vis du réfrigérateur et utilisez celles fournies avec les cales.
2. Fixez 2 cales en plastique sur le couvercle de ventilation tel qu'illustré par l'image.



3.4 Réglages des pieds avant

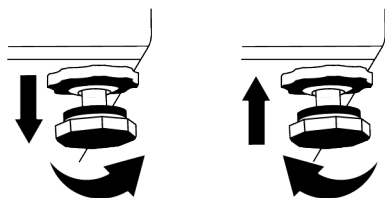
Si l'appareil n'est pas équilibré, réglez les pieds avant en les tournant vers la gauche ou la droite.

4 Préparation

Lisez d'abord les « Consignes de sécurité » !

4.1 Moyens d'économiser l'énergie

- Cet appareil de réfrigération n'est pas conçu pour être utilisé comme un appareil encastré.
- Lorsque vous chargez les aliments, laissez suffisamment d'espace à l'intérieur du réfrigérateur pour permettre une circulation d'air suffisante pour le refroidissement.
- Comme l'air chaud et humide ne pénètre pas directement dans votre produit lorsque les portes ne sont pas ouvertes, votre produit s'optimisera dans des conditions suffisantes pour protéger vos aliments. Dans ces conditions, les fonctions et les composants tels que le compresseur, le ventilateur, le chauffage, le dégivrage, l'éclairage, l'affichage, etc. fonctionneront en fonction des besoins en consommant un minimum d'énergie.
- Dans le cas où plusieurs options sont présentes, les étagères en verre doivent être placées de manière à ce que les sorties d'air de la paroi arrière ne soient pas bloquées et, de préférence, de manière à ce que les sorties d'air restent sous l'étagère en verre. Cette combinaison peut contribuer à améliorer la distribution de l'air et l'efficacité énergétique.
- Il est fortement recommandé d'utiliser le tiroir du bas pour le rangement.
- Pour une performance optimale, la fonction de congélation rapide peut être utilisée (si elle est disponible) 24 heures avant de placer les aliments frais dans le congélateur.
- Dans la plupart des cas, 24 heures suffisent pour utiliser la fonction de congélation rapide après que les aliments frais ont été placés dans le congélateur. Au bout d'un certain temps, la fonction de congélation rapide se désactive automatiquement.
- Lorsque vous congélez une petite quantité d'aliments, la fonction de congélation rapide peut être désactivée au bout d'un certain temps pour économiser de l'énergie.
- Les aliments sont stockés à l'aide des tiroirs du compartiment réfrigéré afin de garantir une économie d'énergie et de protéger les aliments dans de meilleures conditions.



3.5 Attention aux surfaces chaudes

Les parois latérales de votre appareil sont équipées de tuyaux de refroidissement pour améliorer le système de refroidissement. Un fluide à haute pression peut s'écouler à travers ces surfaces, et provoquer des surfaces chaudes sur les parois latérales. C'est normal et cela ne nécessite pas d'entretien.

4.2 Première utilisation

Avant d'utiliser votre appareil, assurez-vous que les installations nécessaires sont conformes aux instructions des sections « Consignes de sécurité » et « Installation ».

- Attendez au moins 2 heures avant de faire fonctionner le produit, afin d'assurer la pleine efficacité de la réfrigération.
- Laissez l'appareil fonctionner à vide pendant 6 heures, et la porte de l'appareil doit être maintenue fermée autant que possible.
- Le changement de température causé par l'ouverture et la fermeture de la porte pendant l'utilisation du produit peut normalement entraîner la formation de condensation sur les tablettes de la porte/du corps et sur les verres placés dans l'appareil.
- Un son retentit à l'activation du compresseur. Il est normal que l'appareil fasse du bruit même si le compresseur ne fonctionne pas, car du fluide et du gaz peuvent être comprimés dans le système de refroidissement.
- Il est normal que les bords avant de l'appareil soient chauds. Ces parties doivent en principe être chaudes afin d'éviter la condensation

- Pour certains modèles, le panneau indicateur s'éteint automatiquement 1 minute après la fermeture des portes. Il s'active à nouveau à l'ouverture de la porte ou lorsque vous appuyez sur n'importe quelle touche.

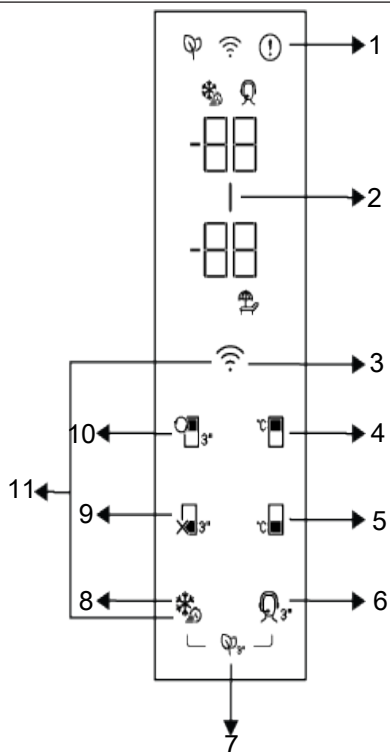
4.3 Classe climatique et définitions

Veillez vous référer à la classe climatique figurant sur la plaque signalétique de votre appareil. L'une des informations suivantes s'applique à votre appareil selon la classe climatique.

- **SN** : Climat tempéré à long terme : Ce dispositif de refroidissement est conçu pour être utilisé à une température ambiante comprise entre 10 °C et 32 °C.
- **N** : Climat tempéré : Ce dispositif de refroidissement est conçu pour être utilisé à une température ambiante comprise entre 16°C et 32 °C.
- **ST** : Climat subtropical : Ce dispositif de refroidissement est conçu pour être utilisé à une température ambiante comprise entre 16°C et 38°C.
- **T** : Climat tropical : Ce dispositif de refroidissement est conçu pour être utilisé à une température ambiante comprise entre 16°C et 43°C.

5 Panneau de contrôle du produit

FR



- | | | | |
|----|--|----|---|
| 1 | Indicateur de condition d'erreur | 2 | Indicateur d'économie d'énergie (affichage éteint) |
| 3 | *Clé sans fil | 4 | Touche de réglage de la température du compartiment congélateur |
| 5 | Touche de réglage de la température du compartiment de refroidissement | 6 | *Clé du service de soutien |
| 7 | *Touche du module désodorisant | 8 | *Touche Congélation rapide / Touche de réglage de la fonction d'éclairage de la poignée |
| 9 | * Touche de fonction Arrêt du compartiment réfrigéré (vacances) | 10 | * Clé de conversion des compartiments |
| 11 | Clé pour la réinitialisation des paramètres de connexion sans fil | | |

Lisez d'abord la « Instructions de sécurité » !

Les fonctions sonores et visuelles dudit panneau vous aident à utiliser votre réfrigérateur.

*En option : Les fonctions indiquées sont facultatives, il peut y avoir des différences de forme et d'emplacement au niveau des fonctions indiquées sur le panneau de votre appareil.

1. Indicateur d'état de défaut

Cet indicateur doit être activé lorsque votre réfrigérateur ne peut pas assurer un refroidissement adéquat ou en cas d'erreur de capteur. « E » doit s'afficher sur l'indicateur de température du compartiment de congélation et des chiffres tels que 1,2,3...

doivent s'afficher sur l'indicateur de température du compartiment de réfrigération. Ces chiffres fournissent des informations au service autorisé sur l'erreur qui s'est produite.

Un point d'exclamation peut être affiché pendant un moment lorsque vous chargez des aliments chauds dans le compartiment de congélation ou que vous gardez la porte ouverte pendant une longue période. Il ne s'agit pas d'un défaut, cet avertissement disparaît lorsque l'aliment est refroidi ou lorsqu'on appuie sur une touche quelconque.

2. Indicateur d'économie d'énergie (affichage éteint) |

La fonction d'économie d'énergie est activée automatiquement et le symbole d'économie d'énergie s'affiche lorsque la porte du produit n'est pas ouverte ou fermée pendant un certain temps. Lorsque la fonction d'économie d'énergie est active, tous les symboles de l'écran, à l'exception du symbole d'économie d'énergie, sont éteints.

Lorsque la fonction d'économie d'énergie est active, si vous appuyez sur une touche ou ouvrez la porte, la fonction d'économie d'énergie sera désactivée et les symboles à l'écran reviendront à la normale. La fonction d'économie d'énergie est une fonction activée départ usine et ne peut être annulée.

3. *Clé sans fil

Lorsque vous appuyez sur la touche pendant une longue période (3 secondes), le symbole de connexion sans fil sur l'affichage/l'écran clignote lentement (à inter-

valles de 0,5 seconde). Le réseau domestique est initialisé sur le produit de cette façon.

Après avoir établi une connexion sans fil avec le produit, le symbole de connexion sans fil s'allume en continu.

Lorsque la connexion initiale est établie, vous pouvez activer/désactiver la connexion en appuyant brièvement sur cette touche. Le symbole de connexion sans fil clignotera rapidement (à intervalles de 0,2 seconde) jusqu'à ce que la connexion soit établie. Lorsque la connexion est active, le symbole du réseau sans fil s'allume en permanence.

En cas d'impossibilité d'établir la connexion pendant une longue période, vérifiez vos paramètres de connexion et reportez-vous à la section « Dépannage » fournie dans le manuel de l'utilisateur.

L'application HomeWhiz doit être utilisée pour la connexion sans fil. Les étapes d'installation sont décrites sur la demande lors de l'installation.

Vous pouvez accéder à la demande en lisant le code QR disponible sur l'étiquette HomeWhiz apposée sur le produit. L'application est proposée par l'App Store pour les appareils IOS, et par le Play Store pour les appareils Android.

Visitez l'adresse <https://www.homewhiz.com/> pour des informations détaillées.

4. La touche de réglage de la température du compartiment congélateur

Le réglage de la température est effectué pour le compartiment de congélation. En appuyant sur cette touche, la température du compartiment congélateur peut être réglée à -18,-19,-20,-21,-22,-23,-24 degrés Celsius.

5. Touche de réglage de la température du compartiment de refroidissement

Permet de régler la température du compartiment réfrigérateur. Lorsque cette touche est activée, la température du compartiment réfrigérant est réglée sur les valeurs 8, 7, 6, 5, 4, 3, 2 et 1 Celsius.

6. *Clé du service de soutien

Appuyez sur cette touche pendant 3 secondes pour activer/désactiver le service d'assistance. Des informations détaillées sur le service d'assistance sont fournies dans la section « Fonctionnalité du service d'assistance ».

7. *Touche du module désodorisant

Appuyez sur cette touche pendant 3 secondes pour activer/désactiver la fonction désodorisante. Lorsque la fonction anti-odeur est activée, le voyant LED de la touche correspondante s'allume. Lorsque la fonction est activée, le module désodorisant fonctionne périodiquement.

8. Touche de gel rapide

Dès que vous appuyez sur la touche de congélation rapide, le voyant LED de la touche s'allume et la fonction de congélation rapide s'active. La température du compartiment de congélation est réglée à -27 Celsius. Appuyez à nouveau sur la touche pour annuler la fonction. La fonction de congélation rapide sera automatiquement annulée. Pour congeler une grande partie d'aliments frais, appuyez sur la touche de congélation rapide avant de mettre les aliments dans le compartiment congélateur.

*Touche de réglage de la fonction de la lumière de la poignée

La fonction d'éclairage de la poignée peut passer du mode ouvert au mode fermé en appuyant sur la touche de congélation rapide pendant 3 secondes. En mode fermé, le voyant de la poignée n'est activé que lorsque la porte de l'appareil est ouverte et il s'éteint un moment après la fermeture de la porte. En mode ouvert, la lumière de la

poignée est activée lorsque la porte de l'appareil est ouverte, la lumière de la poignée reste faiblement allumée un moment après la fermeture de la porte. La fonction d'éclairage de la poignée est réglée sur le mode fermé en usine.

9. Touche de fonction Arrêt du compartiment réfrigéré (vacances)

Appuyez sur la touche pendant 3 secondes pour activer la fonction vacances. Le mode Vacances est activé et le symbole Vacances

s'allume. « - - » doit être affiché sur l'indicateur de température du compartiment de refroidissement et le compartiment de refroidissement n'effectue pas de refroidissement actif. Vous ne devez pas conserver vos aliments dans le compartiment réfrigérateur lorsque cette fonction est activée. Les autres compartiments continuent à se refroidir en fonction des températures précédemment réglées. Il suffit d'appuyer à nouveau sur la touche pendant 3 secondes pour annuler cette fonction.

10. * Clé de conversion des compartiments

En appuyant sur la touche de conversion du compartiment pendant 3 secondes, le compartiment congélateur passe en mode réfrigération arrêt et congélation, respectivement. S'il est utilisé en tant que compartiment réfrigérateur, la température du compartiment sera réglée à 4 degrés Celsius. En mode arrêt, l'indicateur de température du compartiment affiche "- -".

11. Touche de réinitialisation des paramètres de connexion sans fil

Pour réinitialiser les paramètres de la connexion sans fil, appuyez simultanément sur les touches de gel rapide et de connexion sans fil pendant 3 secondes. Toutes les informations utilisateur enregistrées précédemment sont supprimées sur un produit dont les paramètres de connexion sans fil sont réinitialisés/rétablis aux valeurs par défaut de l'usine.

La température peut être réglée entre 1-8° C pour le compartiment réfrigérateur et entre - 24 et - 15° C pour le comparti-

ment congélateur. Les valeurs de température réglables peuvent varier, à condition qu'elles se situent dans ces fourchettes, conformément aux spécifications du produit.

6 Fonctionnement de l'appareil

Lisez d'abord les « Consignes de sécurité » !

- Le appareil ne doit être utilisé que pour la conservation des aliments.
- Fermez le robinet d'eau si vous vous absentez de chez vous (par exemple, en vacances) et que vous n'utilisez pas le distributeur d'eau ou le distributeur de glace pendant une longue période. Dans le cas contraire, des fuites d'eau peuvent se produire.

Débrancher le produit

- Enlevez la nourriture pour éviter les odeurs,
- Attendez que la glace fonde, nettoyez l'intérieur et laissez-le sécher, laissez les portes ouvertes pour éviter d'endommager les plastiques intérieurs de la carrosserie.

6.1 Remplacement de la lampe d'éclairage

Appelez le service autorisé lorsque l'ampoule/LED utilisée pour l'éclairage de votre réfrigérateur doit être remplacée.

La ou les lampes utilisées dans cet appareil ne peuvent pas être utilisées pour l'éclairage de la maison. L'objectif de cette lampe est d'aider l'utilisateur à placer les aliments dans le réfrigérateur/congélateur de manière sûre et confortable.

6.2 Stockage des aliments dans le compartiment du congélateur et du réfrigérateur

Stockage des aliments dans le compartiment congélateur

- Vous pouvez activer la fonction de congélation rapide 4 à 6 heures avant la fonction de congélation et obtenir un refroidissement plus rapide.
- Amenez les repas chauds à la température ambiante avant de les placer dans le compartiment congélateur.
- Les aliments à congeler doivent être divisés en portions en fonction de la taille à consommer, et congelés dans des emballages séparés.
- Il est recommandé d'emballer les aliments avant de les placer dans le congélateur.
- Afin de prévenir l'expiration du temps de conservation, inscrivez la date et l'heure de congélation ainsi que le nom du produit sur l'emballage, en fonction des temps de conservation des différents aliments.
- Consommez rapidement les aliments que vous avez décongelés. Les aliments décongelés ne peuvent être recongelés que s'ils sont cuits. Il n'est pas sûr de consommer les aliments frais recongelés sans cuisson après leur décongélation.
- Lorsque vous congelez des aliments frais, ne les mettez pas en contact avec des aliments déjà congelés. Sinon, les aliments congelés seront décongelés.

Stocker les aliments, qui sont vendus congelés

- Respectez les durées indiquées dans ces instructions pour la conservation des aliments.

- Afin de préserver la qualité des aliments, veillez à ce que l'intervalle de temps entre la transaction d'achat et le stockage soit aussi court que possible.
- Achetez des aliments congelés stockés à des températures inférieures ou égales à -18 °C.
- Évitez d'acheter des aliments dont l'emballage est recouvert de glace, etc. Cela signifie que le produit pourrait être partiellement décongelé et recongelé. La température a un impact sur la qualité des aliments.
- Ne dépassez pas la durée de conservation recommandée par le producteur de l'aliment. Ne sortez du congélateur que les aliments dont vous avez besoin.
- Sauf en cas de circonstances extrêmes dans l'environnement, si votre produit (sur le tableau des valeurs de consigne recommandées) est réglé sur les valeurs de consigne spécifiées, les aliments conservent leur fraîcheur plus longtemps, aussi bien dans le compartiment des produits frais que dans celui du congélateur.
- Si le compartiment des aliments frais est réglé sur une température inférieure, les fruits et légumes frais peuvent être partiellement congelés.

Tableau des valeurs de réglage recommandées

| Réglage du compartiment congélateur | Réglage du compartiment réfrigérateur | Remarques |
|-------------------------------------|---------------------------------------|---|
| -18 °C | 4 °C | Ce réglage est celui qui est recommandé par défaut. Ce réglage est recommandé si la température ambiante est inférieure à 30 °C. |
| -20, -22 ou -24 °C | 4 °C | Ces réglages sont recommandés pour des températures ambiantes excédant 30 °C. |
| Congélation rapide | 4 °C | Est utilisée lorsque vous voulez congeler vos denrées pendant une courte période. Lorsque le processus se termine, les paramètres du produit reviennent à la position précédente. |
| Inférieure ou égale à -18 °C | 2 °C | Utilisez ces paramètres si à votre avis le compartiment réfrigérateur n'est pas assez froid en raison de la température ambiante ou de l'ouverture fréquente de la porte. |

Congélation rapide

1. Activez la fonction de congélation rapide 24 heures avant de placer vos aliments frais dans le congélateur.
2. 24 heures après avoir activé la fonction, placez d'abord les aliments que vous souhaitez congeler sur la première étagère à forte capacité de congélation.
3. La fonction de congélation rapide est automatiquement annulée après un certain temps.

Détails du congélateur

Selon les normes IEC 62552, à une température ambiante de 25° C, le congélateur doit pouvoir congeler 4,5 kg de denrées alimentaires à -18° C ou à des températures

inférieures en 24 heures pour chaque 100 litres de volume du compartiment congélateur.

Les aliments peuvent être préservés pour des périodes prolongées uniquement à des températures inférieures ou égales à -18° C.

Vous pouvez garder les aliments frais pendant des mois (dans le congélateur à des températures inférieures ou égales à -18° C).

Les aliments à congeler ne doivent pas être en contact avec ceux déjà congelés pour éviter un dégivrage partiel.

Faites bouillir les légumes et filtrez l'eau pour prolonger la durée de conservation à l'état congelé. Placez les aliments dans des emballages sous vide après les avoir filtrés et placez-les dans le congélateur. Les ba-

nanas, les tomates, les feuilles de laitue, le céleri, les œufs durs, les pommes de terre et les aliments similaires ne doivent pas être congelés. Si ces aliments sont congelés, seules les valeurs nutritionnelles et les qualités gustatives seront affectées. Une pourriture qui mettrait en danger la santé humaine n'est pas à l'ordre du jour.

Placer les aliments

Balconnets du compartiment congélateur

Différents aliments congelés comme la viande, le poisson, la crème glacée, les légumes, etc.

Étagères du compartiment réfrigérateur

Les aliments contenus dans des caseroles, des plats couverts, des gamelles et les œufs (dans des gamelles fermées)

Balconnets de la porte du compartiment réfrigérateur

Aliments ou boissons de petite taille et emballés.

Bac à légumes

Légumes et fruits
Compartiment des aliments frais :Delicatessen (aliments pour le petit déjeuner, produits carnés à consommer dans un délai court).

Stockage des aliments dans le compartiment réfrigérant

- La température des compartiments augmente considérablement si la porte du compartiment est ouverte et fermée fréquemment et si elle reste ouverte pendant longtemps, ce qui peut réduire la durée de vie des aliments et les faire se gâter.
- Afin de ne pas provoquer de changements d'odeur et de goût, les aliments doivent être conservés dans des récipients fermés.
- Ne conservez pas de quantités excessives d'aliments dans votre réfrigérateur. Pour obtenir un refroidissement plus efficace et homogène, placez les aliments séparément de manière à ce que l'air froid puisse circuler.

- Assurez la circulation de l'air en laissant un espace entre l'aliment et la paroi interne. Si vous appuyez les aliments contre la paroi arrière, ils risquent de geler.
- Amenez les plats chauds cuisinés à la température ambiante avant de les placer dans le réfrigérateur. Ensuite, vous pouvez placer le repas tiède dans les étagères inférieures de votre réfrigérateur. Ne placez pas les repas tièdes à proximité des aliments qui peuvent facilement se gâter.
- Décongelez vos aliments congelés dans le compartiment des aliments frais. Ainsi, vous pouvez refroidir le compartiment des aliments frais en utilisant des aliments congelés et économiser de l'énergie.
- Conservez les fruits tropicaux non mûrs (mangue, variétés de melon, papaye, banane, ananas) au réfrigérateur peut accélérer le processus de maturation. Ceci n'est pas recommandé car cela entraînera une réduction de la durée de stockage.
- Vous devez conserver les oignons, les aulx, les gingembres et les autres légumes-racines dans une pièce sombre et froide, et non au réfrigérateur.
- Si vous remarquez qu'un aliment a tourné dans le réfrigérateur, jetez-le et nettoyez les accessoires qui ont été en contact avec cet aliment.
- Pour refroidir rapidement les plats tels que les soupes et les ragoûts, qui sont cuits dans de grandes marmites, vous pouvez les mettre au réfrigérateur en les séparant dans leurs propres récipients peu profonds.
- Ne placez pas d'aliments non emballés à proximité des œufs.
- Conservez les fruits et les légumes séparément et conservez chaque variété dans un même endroit (par exemple, les pommes avec les pommes, les carottes avec les carottes, etc.).

- Sortez les légumes verts du sac en plastique et placez-les au réfrigérateur après les avoir enveloppés dans une serviette en papier ou un linge sec. Si vous lavez ce type d'aliments avant de les placer dans le réfrigérateur, n'oubliez pas de les sécher.
- Vous pouvez à la fois créer un environnement humide et assurer une circulation d'air en conservant les fruits et légumes, qui ont tendance à sécher, dans des sacs en plastique perforés ou non fermés.
- Sauf en cas de circonstances extrêmes dans l'environnement, si votre produit (sur le tableau des valeurs de consigne recommandées) est réglé sur les valeurs de consigne spécifiées, les aliments conservent leur fraîcheur plus longtemps, aussi bien dans le compartiment des produits frais que dans celui du congélateur.

Conservez les différents aliments dans des endroits différents en fonction de leurs caractéristiques.

| Aliment | Emplacement |
|--|---|
| Œuf | Balconnet |
| Produits laitiers (beurre, fromage) | Si disponible, compartiment zéro degré (pour les aliments du petit-déjeuner) |
| Fruits, légumes et verdure | Compartiment fruits-légumes, bac à légumes ou Compartiment EverFresh+ (si disponible) |
| Viande fraîche, volaille, poisson, saucisses, etc. Aliments cuits | Si disponible, compartiment zéro degré (pour les aliments du petit-déjeuner) |
| Aliments prêts à consommer, produits emballés, conserves, produits marinés | Étagères supérieures ou balconnet |
| Boissons, bouteilles, épices et snacks | Balconnet |

7 Alerte de porte ouverte

Le système d'alerte d'ouverture de porte de votre réfrigérateur peut varier selon le modèle.

Version 1;

Si la porte du produit reste ouverte pendant un certain temps (entre 60 s et 120 s), un signal d'avertissement sonore retentit ; selon le modèle de produit, un signal d'avertissement visuel (flash lumineux) peut également être affiché. Si vous fermez la porte de l'appareil ou appuyez sur une touche de l'écran de l'appareil, le signal d'avertissement sonore s'arrête.

Version 2;

Si la porte de l'appareil reste ouverte pendant un certain temps (entre 60 s et 120 s), l'alarme d'ouverture de porte retentit. L'alarme d'ouverture de porte retentit progressivement. Un signal d'avertissement sonore retentit d'abord. Si la porte n'est toujours pas fermée après 4 minutes, un avertissement visuel (lumière clignotante) est activé. L'alarme d'ouverture de porte est retardée pendant un certain temps (entre 60 s et 120 s) si l'on appuie sur n'importe quelle touche de l'écran du produit (le cas échéant). Le processus recommence alors. Lorsque la porte de l'appareil est fermée, l'alarme d'ouverture de porte est annulée.

8 Caractéristiques du produit

8.1 La zone de stockage de la glace

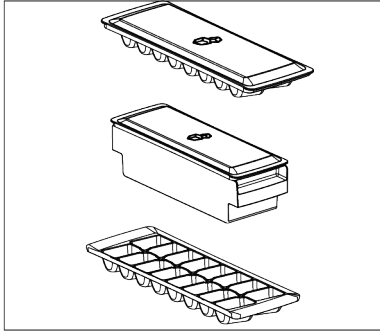
Récipient à glace

Le seau à glace vous permet de prendre facilement de la glace dans le réfrigérateur.

Utilisation du seau à glace

1. Sortez le seau à glace du compartiment congélateur.
2. Remplissez le seau à glace avec de l'eau.

3. Placez le seau à glace dans le compartiment du congélateur. Les glaçons seront prêts après environ deux heures.
4. Sortez le seau à glace du compartiment congélateur et penchez-vous légèrement sur le support que vous allez servir. La glace se verse facilement dans le récipient de service.



8.2 Porte-œuf

Vous pouvez placer le porte-œuf sur la porte ou l'étagère du corps que vous souhaitez.

Si le porte-œufs doit être placé sur l'étagère du corps, nous vous recommandons de choisir des étagères inférieures plus froides.

9 Entretien et nettoyage

Lisez d'abord les « Consignes de sécurité » !

Avant de nettoyer votre appareil, débranchez-le ou mettez hors tension le fusible auquel il est raccordé.

Ne placez pas vos mains, vos pieds ou des objets métalliques sous le réfrigérateur ou entre le réfrigérateur et le sol, pour quelque raison que ce soit. Il peut se coincer ou des bords tranchants peuvent provoquer des blessures.

- N'utilisez pas des objets pointus ou des produits de nettoyage abrasifs pour nettoyer l'appareil. Il ne faut pas utiliser de matériaux tels que des produits d'entre-

- Ne placez jamais le porte-œuf sur le compartiment congélateur..

8.3 Bac à légumes

Le bac à légumes du réfrigérateur est conçu pour conserver les légumes frais en préservant leur humidité. À cette fin, la circulation générale d'air froid est intensifiée dans le bac à légumes. Conservez les fruits et les légumes dans ce compartiment. Conservez séparément les légumes verts et les fruits pour prolonger leur durée de vie.

8.4 Zone d'entreposage frais des produits laitiers

Tiroir de stockage du froid

Le tiroir de stockage du froid peut atteindre des températures plus basses dans le compartiment réfrigérant. Utilisez ce tiroir pour les produits de charcuterie (salami, saucisse, etc.) et les produits laitiers qui nécessitent des conditions de stockage plus froides, ou pour la viande, le poulet ou le poisson à consommer rapidement. Il n'est pas possible de stocker des fruits et des légumes dans ce tiroir.

tien ménager, du savon, des détergents, du gaz, de l'essence, un diluant, de l'alcool, de la cire, etc.

- La poussière doit être enlevée de la grille de ventilation située à l'arrière du produit au moins une fois par an (sans ouvrir le couvercle). Nettoyez l'appareil avec un chiffon humide.
- Veillez à ce que l'eau n'entre pas en contact avec le couvercle de la lampe et les autres pièces électriques.
- Nettoyez la porte avec un chiffon humide. Retirez tout le contenu pour enlever la porte et les supports de carrosserie. Retirez les supports de porte en les sou-

levant vers le haut. Nettoyez et séchez les étagères, puis refixez-les en les faisant glisser à partir du haut.

- N'utilisez pas d'eau chlorée ou de produits de nettoyage sur la surface extérieure et les pièces chromées de l'appareil. Le chlore entraîne la corrosion de ce type de surfaces métalliques.
- Il ne faut pas utiliser d'outils tranchants et abrasifs, de savon, de produits d'entretien ménager, de détergents, de gaz, d'essence, de vernis et de substances similaires pour empêcher la déformation de la pièce en plastique et l'élimination des empreintes sur la pièce. Utilisez de l'eau chaude et un chiffon doux pour le nettoyage, puis séchez-le.
- Sur les produits sans fonction antigel, des gouttes d'eau et du givre jusqu'à l'épaisseur d'un doigt peuvent apparaître sur la paroi arrière du compartiment congélateur. Ne nettoyez pas et n'appliquez jamais d'huiles ou de produits similaires.
- Utilisez un chiffon en microfibres légèrement humidifié pour nettoyer la surface extérieure du produit. Les éponges et autres types de vêtements de nettoyage peuvent provoquer des éraflures.
- Afin de nettoyer tous les composants amovibles pendant le nettoyage de la surface intérieure du produit, il faut laver ces composants avec une solution douce composée de savon, d'eau et de carbonate. Lavez et séchez soigneusement.

Évitez le contact de l'eau avec les composants d'éclairage et le panneau de contrôle.

- N'utilisez pas de vinaigre, d'alcool à friction ni de produits nettoyants à base d'alcool sur les surfaces intérieures.

Surfaces extérieures en acier inoxydable

Utilisez un produit de nettoyage non abrasif pour l'acier inoxydable et appliquez-le avec un chiffon doux non pelucheux. Pour polir, essuyez doucement la surface avec un chiffon en microfibres humidifié à l'eau et utilisez une peau de chamois sèche. Suivez toujours les veines de l'acier inoxydable.

Prévention des odeurs

À sa sortie d'usine, cet appareil ne contient aucun matériau odorant. Toutefois, le stockage inapproprié des aliments et le nettoyage incorrect des surfaces internes peuvent être à l'origine d'odeurs.

- Pour éviter cela, nettoyez l'intérieur à l'aide de carbonate dissout dans l'eau tous les 15 jours.
- Conservez les aliments dans des récipients scellés, car les micro-organismes provenant des aliments conservés dans des récipients non scellés provoquent une mauvaise odeur.
- Ne conservez pas d'aliments périmés ou avariés dans le réfrigérateur.

Protection des surfaces en plastique

Si de l'huile se répand sur les surfaces en plastique, il faut immédiatement les nettoyer avec de l'eau tiède, sinon elles seront endommagées.

10 Dépannage

Lisez d'abord les « Consignes de sécurité » !

Vérifiez la liste suivante avant de contacter le service après-vente. Cela devrait vous éviter de perdre du temps et de l'argent. Cette liste répertorie les plaintes fréquentes ne provenant pas de vices de fabrication ou des défauts de pièces. Certaines fonctionnalités mentionnées dans ce manuel peuvent ne pas exister sur votre modèle.

Si le problème persiste même après observation des instructions contenues dans cette partie, contactez votre fournisseur ou un service de maintenance agréé. N'essayez pas de réparer vous-même l'appareil.

Le réfrigérateur ne fonctionne pas.

- La fiche électrique n'est pas correctement insérée. >>> Branchez-la en l'enfonçant complètement dans la prise.

- Le fusible branché à la prise qui alimente l'appareil ou le fusible principal est grillé. >>> Vérifiez les fusibles.

Condensation sur la paroi latérale du congélateur (MULTI ZONE, COOL, CONTROL et FLEXI ZONE).

- La porte a été ouverte trop fréquemment >>> Évitez d'ouvrir trop fréquemment la porte de l'appareil.
- L'environnement est trop humide. >>> N'installez pas l'appareil dans des endroits humides.
- Les aliments contenant des liquides sont conservés dans des récipients non fermés. >>> Conservez ces aliments dans des emballages scellés.
- La porte de l'appareil est restée ouverte. >>> Ne laissez pas la porte de l'appareil ouverte longtemps.
- Le thermostat est réglé sur une température très froide. >>> Réglez le thermostat à la température appropriée.

Le compresseur ne fonctionne pas.

- En cas de coupure soudaine de courant ou de débranchement intempestif, la pression du gaz dans le système de réfrigération de l'appareil n'est pas équilibrée, ce qui déclenche la fonction de conservation thermique du compresseur. L'appareil se remet en marche au bout de 6 minutes environ. Dans le cas contraire, veuillez contacter le service de maintenance.
- Le dégivrage est actif. >>> Ce processus est normal pour un appareil à dégivrage complètement automatique. Le dégivrage se déclenche périodiquement.
- L'appareil n'est pas branché. >>> Vérifiez que le cordon d'alimentation est branché.
- Le réglage de la température est incorrect. >>> Sélectionnez le réglage de température approprié.
- Absence d'énergie électrique. >>> L'appareil continuera à fonctionner normalement une fois le courant rétabli.

Le bruit du réfrigérateur en fonctionnement s'accroît pendant son utilisation.

- Le rendement de l'appareil en fonctionnement peut varier en fonction des fluctuations de la température ambiante. Ceci est normal et ne constitue pas un dysfonctionnement.

Le réfrigérateur fonctionne fréquemment ou pendant de longues périodes.

- Il se peut que le nouvel appareil soit plus grand que l'ancien. Les appareils plus grands fonctionnent plus longtemps.
- La température de la pièce est peut-être trop élevée. >>> Il est normal que l'appareil fonctionne plus longtemps quand la température de la pièce est élevée.
- L'appareil vient peut-être d'être branché ou chargé de nouvelles denrées alimentaires. >>> L'appareil met plus longtemps à atteindre la température réglée s'il vient d'être branché ou récemment rempli de denrées. C'est normal.
- Il est possible que des quantités importantes d'aliments chauds aient été récemment placées dans l'appareil. >>> Ne mettez pas d'aliments chauds à l'intérieur de l'appareil.
- Les portes étaient ouvertes fréquemment ou sont restées longtemps ouvertes. >>> L'air chaud qui se déplace à l'intérieur permet à l'appareil de fonctionner plus longtemps. N'ouvrez pas les portes trop fréquemment.
- Il est possible que la porte du congélateur soit entrouverte. >>> Vérifiez que les portes sont complètement fermées.
- L'appareil peut être réglé à une température trop basse. >>> Réglez la température à un degré supérieur et attendez que l'appareil atteigne la nouvelle température.
- Le joint de la porte du congélateur peut être sale, usé, cassé, ou mal positionné. >>> Nettoyez ou remplacez le joint d'étanchéité. Si le joint du congélateur est endommagé ou arraché, l'appareil prendra plus longtemps à conserver la température actuelle.

La température du congélateur est très basse, alors que celle du réfrigérateur est appropriée.

- La température du compartiment congélateur est très basse. >>> Réglez la température du compartiment congélateur à un degré supérieur et vérifiez à nouveau.

La température du réfrigérateur est très basse, alors que celle du congélateur est appropriée.

- La température du compartiment réfrigérateur est très basse. >>> Réglez la température du compartiment de refroidissement à un degré supérieur et vérifiez à nouveau.

Les aliments conservés dans le compartiment réfrigérateur sont congelés.

- La température du compartiment réfrigérateur est très basse. >>> Réglez la température du compartiment de refroidissement à un degré supérieur et vérifiez à nouveau.

La température du compartiment réfrigérateur ou congélateur est très élevée.

- La température du compartiment réfrigérateur est réglée à un degré très élevé. >>> Le réglage de la température du compartiment réfrigérateur a une incidence sur la température du compartiment congélateur. Attendez jusqu'à ce que la température des pièces correspondantes atteigne le niveau d'efficacité requis en changeant la température des compartiments réfrigérateur ou congélateur.
- Les portes étaient ouvertes fréquemment ou sont restées longtemps ouvertes. >>> N'ouvrez pas les portes trop fréquemment.
- La porte peut être entrouverte. >>> Fermez complètement la porte.
- L'appareil vient peut-être d'être branché ou chargé de nouvelles denrées alimentaires. >>> Cela est normal. L'appareil met plus longtemps à atteindre la température réglée s'il vient d'être branché ou récemment rempli de denrées.

- Il est possible que des quantités importantes d'aliments chauds aient été récemment placés dans l'appareil. >>> Ne mettez pas d'aliments chauds à l'intérieur de l'appareil.

En cas de vibrations ou de bruits.

- La surface n'est pas plate ou durable >>> Si l'appareil balance lorsqu'il est déplacé doucement, ajustez les supports afin de le remettre en équilibre. Assurez-vous également que le sol est assez solide pour supporter l'appareil.
- Les éléments placés sur l'appareil peuvent être à l'origine du bruit. >>> Retirez tous les éléments placés sur l'appareil.
- L'appareil émet un bruit d'écoulement de liquide ou de pulvérisation, etc.
- Les principes de fonctionnement de l'appareil impliquent des écoulements de liquides et des émissions de gaz. >>> Ceci est normal et ne constitue pas un dysfonctionnement.

L'appareil émet un sifflement.

- L'appareil effectue le refroidissement à l'aide d'un ventilateur. Ceci est normal et ne constitue pas un dysfonctionnement.

Il y a de la condensation sur les parois internes de l'appareil.

- Un climat chaud ou humide accélère le processus de givrage et de condensation. Ceci est normal et ne constitue pas un dysfonctionnement.
- Les portes étaient ouvertes fréquemment ou sont restées longtemps ouvertes. >>> N'ouvrez pas les portes trop fréquemment ; fermez-les lorsqu'elles sont ouvertes.
- La porte peut être entrouverte. >>> Fermez complètement la porte.

Il y a de la condensation sur les parois externes ou entre les portes de l'appareil.

- Il se peut que le climat ambiant soit humide, auquel cas cela est normal. >>> La condensation se dissipera lorsque l'humidité sera réduite.

Présence d'une odeur désagréable dans l'appareil.

- L'appareil n'est pas nettoyé régulièrement. >>> Nettoyez régulièrement l'intérieur à l'aide d'une éponge, de l'eau tiède et du carbonate dissout dans l'eau.
- Certains récipients et matériaux d'emballage sont peut-être à l'origine des mauvaises odeurs. >>> Utilisez des récipients et des emballages exempts de toute odeur.
- Les aliments étaient placés dans des récipients ouverts. >>> Conservez les aliments dans des récipients fermés. Les micro-organismes peuvent se propager à partir de produits alimentaires non scellés et provoquer une mauvaise odeur.
- Retirez tous les aliments périmés ou avariés de l'appareil.

La porte ne se ferme pas.

- Les paquets d'aliments peuvent bloquer la porte. >>> Déplacez tout ce qui bloque les portes.
- L'appareil ne se tient pas parfaitement droit sur le sol. >>> Ajustez les supports afin de remettre l'appareil en équilibre.

- La surface n'est pas plane ou durable >>> Assurez-vous que la surface est plane et suffisamment durable pour supporter le produit.

Le bac à légumes est bloqué.

- Il est possible que les aliments soient en contact avec la section supérieure du bac. >>> Reclassez les aliments dans le bac.

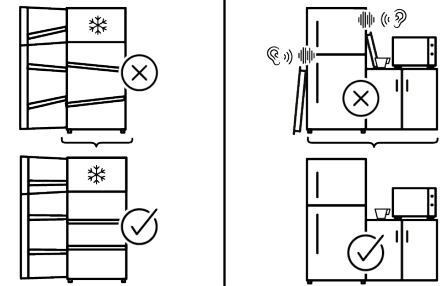
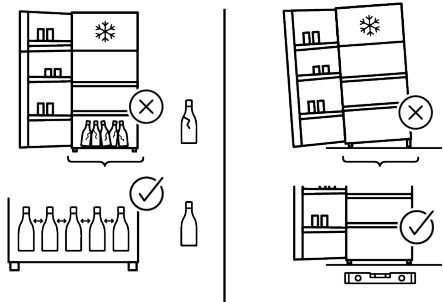
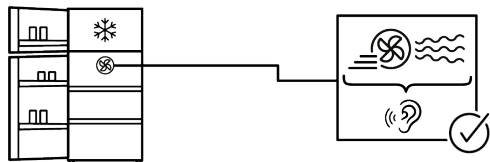
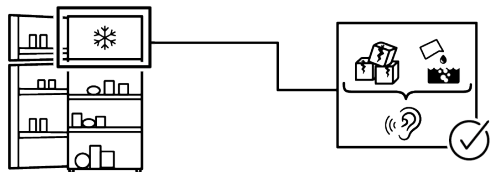
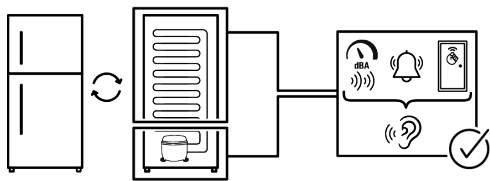
Température à la surface de l'appareil.

- Une température élevée peut être observée entre deux portes, sur les panneaux latéraux et sur la zone du gril arrière lorsque votre appareil est utilisé. C'est normal et cela ne nécessite pas d'entretien.

Le ventilateur continue de fonctionner lorsque la porte est ouverte.

- Le ventilateur peut continuer à fonctionner lorsque la porte du congélateur est ouverte.

Si le problème persiste même après observation des instructions contenues dans cette partie, contactez votre fournisseur ou un service de maintenance agréé. N'essayez pas de réparer vous-même l'appareil. C'est normal.



CLAUSE DE NON-RESPONSABILITÉ

Certaines défaillances (simples) peuvent être traitées de manière adéquate par l'utilisateur final sans qu'aucun problème de sécurité ou d'utilisation dangereuse ne survienne, à condition qu'elles soient effectuées dans les limites et conformément aux instructions suivantes (voir la section « Auto-réparation »).

Par conséquent, sauf autorisation contraire dans la section « Auto-réparation » ci-dessous, adressez-vous à des réparateurs professionnels agréés pour toutes réparations afin d'éviter des problèmes de sécurité. Un réparateur professionnel agréé est une personne à qui le fabricant a donné accès aux instructions et à la liste des pièces détachées de ce produit selon les méthodes décrites dans les actes législatifs en application de la directive 2009/125/CE

Toutefois, seul l'agent de service (c'est-à-dire les réparateurs professionnels agréés) que vous pouvez joindre au numéro de téléphone indiqué dans le manuel d'utilisation/la carte de garantie ou par l'intermédiaire de votre fournisseur agréé peut fournir un service conformément aux conditions de garantie. Par conséquent, veuillez noter que les réparations effectuées par des réparateurs professionnels (qui ne sont pas autorisés par) Whirlpool Marka annulent la garantie.

Auto-réparation

L'auto-réparation peut être effectuée par l'utilisateur final en ce qui concerne les pièces de rechange suivantes : poignées de porte, charnières de porte, plateaux, paniers et joints de porte (une liste mise à jour est également disponible sur <https://parts-selfservice.europeanappliances.com> à partir du 1er mars 2021).

En outre, pour garantir la sécurité du produit et éviter tout risque de blessure grave, ladite auto-réparation doit être effectuée en suivant les instructions du manuel d'utilisation pour l'auto-réparation ou celles disponibles sur <https://parts-selfservice.euro>

[europeanappliances.com](https://parts-selfservice.europeanappliances.com) . Pour votre sécurité, débranchez le produit avant de procéder à toute auto-réparation.

Les réparations et tentatives de réparation par les utilisateurs finaux pour des pièces ne figurant pas dans cette liste et/ou ne suivant pas les instructions des manuels d'utilisation pour l'auto-réparation ou celles disponibles sur <https://parts-selfservice.europeanappliances.com>, pourraient donner lieu à des problèmes de sécurité non imputables à Whirlpool, et annuleront la garantie du produit.

Il est donc fortement recommandé aux utilisateurs finaux de s'abstenir de tenter d'effectuer des réparations ne figurant pas sur la liste des pièces de rechange mentionnée, mais de contacter dans de tels cas des réparateurs professionnels autorisés ou des réparateurs professionnels agréés. Au contraire, de telles tentatives de la part des utilisateurs finaux peuvent causer des problèmes de sécurité et endommager le produit et, par la suite, provoquer un incendie, une inondation, une électrocution et des blessures corporelles graves.

À titre d'exemple, mais sans s'y limiter, vous devez vous adresser à des réparateurs professionnels autorisés ou à des réparateurs professionnels agréés pour les réparations suivantes : compresseur, circuit de refroidissement, carte mère, carte d'inverseur, panneau d'affichage, etc.

Le fabricant/vendeur ne peut être tenu responsable dans tous les cas où les utilisateurs finaux ne se conforment pas à ce qui précède.

La disponibilité des pièces de rechange du réfrigérateur que vous avez acheté est de 10 ans. Pendant cette période, les pièces de rechange d'origine seront disponibles pour faire fonctionner le réfrigérateur correctement.

La durée minimale de garantie du réfrigérateur que vous avez acheté est de 24 mois.

Cet appareil est équipé d'une source d'éclairage de classe énergétique « G ».
La source d'éclairage de cet appareil ne doit être remplacée que par des réparateurs professionnels.



FR
Cet appareil et ses accessoires se recyclent

REPRISE À LA LIVRAISON OU À DÉPOSER EN MAGASIN OU À DÉPOSER EN DÉCHÈTERIE

Points de collecte sur www.quefairedeusdechets.fr
Privilégiez la réparation ou le don de votre appareil !



FR
ÉLÉMENTS PAPIER

BAC DE TRI

Voir également

- 2 CLAUSE DE NON-RESPONSABILITÉ
- [] 43

Inhaltsverzeichnis

| | |
|---|-----------|
| 1 Umwelthinweise..... | 46 |
| 1.1 Entsorgung des Verpackungsmaterials..... | 46 |
| 2 Ihr Kühlschrank..... | 46 |
| 3 Aufstellung | 47 |
| 3.1 Richtiger Ort für die Installation.... | 47 |
| 3.2 Elektrischer Anschluss..... | 47 |
| 3.3 Anbringen der Kunststoffkeile..... | 47 |
| 3.4 Einstellen der Füße..... | 48 |
| 3.5 Warnung vor heißer Oberfläche!... | 48 |
| 4 Vorbereitung..... | 48 |
| 4.1 Was man zum Energiesparen tun kann..... | 48 |
| 4.2 Erste Verwendung | 49 |
| 4.3 Klimaklasse und Definitionen | 49 |
| 5 Bedienfeld des Geräts | 50 |
| 6 Produktbedienung..... | 53 |
| 6.1 Auswechseln der Beleuchtungslampe | 53 |
| 6.2 Aufbewahrung von Lebensmitteln im Gefrier- und Kühlfach | 53 |
| 7 Alarm bei offener Tür..... | 56 |
| 8 Produktmerkmale | 56 |
| 8.1 Der Eisspeicherraum | 56 |
| 8.2 Eierhalter | 56 |
| 8.3 Gemüsefach | 57 |
| 8.4 Kühlraum für Molkereiprodukte.... | 57 |
| 9 Wartung und Reinigung..... | 57 |
| 10 Fehlerbehebung | 58 |

Bitte lesen Sie zunächst dieses Handbuch

Lieber Kunde,

Vielen Dank, dass Sie sich für dieses Produkt entschieden haben.

Bitte registrieren Sie Ihre Geräte auf www.register10.eu.

Wir möchten, dass Sie mit diesem hochwertigen Produkt, das mit modernster Technologie hergestellt wurde, die optimale Effizienz erzielen. Lesen Sie daher vor der Verwendung des Produkts diese Bedienungsanleitung und alle anderen mitgelieferten Unterlagen sorgfältig durch.

Beachten Sie alle Informationen und Warnungen im Bedienungsanleitung. Auf diese Weise schützen Sie sich und Ihr Produkt vor den Gefahren, die auftreten können. Bewahren Sie das Bedienungsanleitung auf. Fügen Sie diese Anleitung dem Produkt bei, wenn Sie sie an eine andere Person übergeben.

Die folgenden Symbole werden im Benutzerhandbuch und auf dem Produkt verwendet:

DE



Lesen Sie die Bedienungsanleitung.



SUPPLIER'S NAME

MODEL IDENTIFIER → (*)

A

A

Die in der Produktdatenbank gespeicherten Modellinformationen können über die folgende Website und die Suche nach Ihrer Modellkennung (*) auf dem Energieetikett abgerufen werden.

<https://eprel.ec.europa.eu/>



1 Umwelthinweise

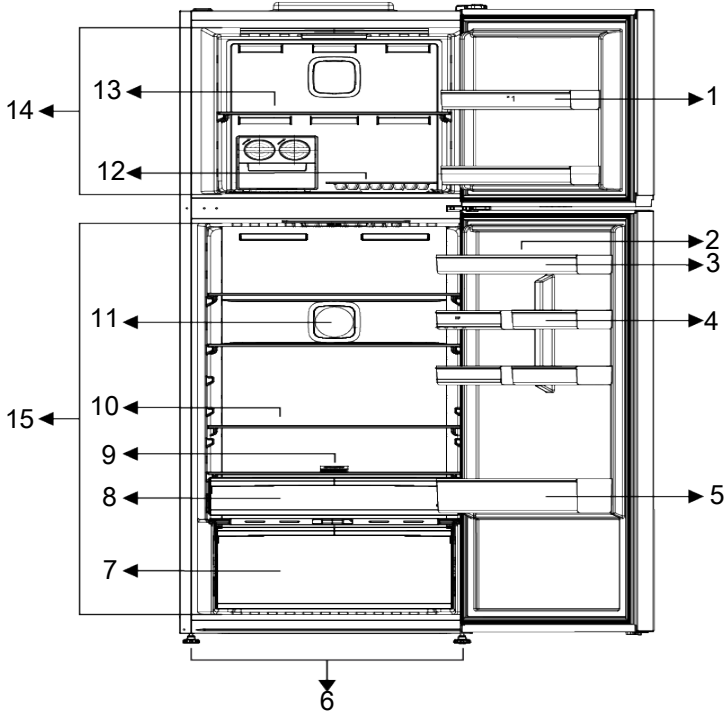
1.1 Entsorgung des Verpackungsmaterials

Das Verpackungsmaterial ist wiederverwertbar und ist mit dem Recycling-Symbol

gekennzeichnet .

Die verschiedenen Teile der Verpackung müssen daher verantwortungsbewusst und unter Beachtung der örtlichen Abfallbeseitigungsvorschriften entsorgt werden.

2 Ihr Kühlschrank



- | | |
|--|-------------------------------------|
| 1 *Türeinschübe im Gefrierfach | 2 Eierhalter |
| 3 *Türeinschübe im Kühlfach | 4 *Kleine Türeinschübe im Kühlfach |
| 5 *Flaschenablage | 6 Verstellbare Füße |
| 7 Gemüsefach, Gemüsefachabscheider und Ethylenfilter | 8 Milchschublade (Kühllagerung) |
| 9 Filter | 10 *Glaszwischenboden für Kühlfachs |
| 11 Lüfter | 12 *Eismaschine/ Eiswürfelbehälter |
| 13 Glaszwischenboden für Gefrierfach | 14 Gefrierfach |
| 15 Kühlfach | |

*Optional: Die Abbildungen in dieser Bedienungsanleitung sind schematisch und stimmen möglicherweise nicht genau mit Ihrem

Produkt überein. Wenn Ihr Produkt nicht die relevanten Teile enthält, beziehen sich die Informationen auf andere Modelle.

3 Aufstellung

Lesen Sie zuerst die „Sicherheitshinweise“.

3.1 Richtiger Ort für die Installation

Wenden Sie sich für die Montage des Geräts an den autorisierten Kundendienst. Um das Gerät für die Installation vorzubereiten, lesen Sie die Informationen in der Bedienungsanleitung und stellen Sie sicher, dass die Strom- und Wasserleitungen den Anforderungen entsprechen. Wenn dies nicht der Fall ist, wenden Sie sich an einen Elektriker und einen Monteur, um die Versorgungsleitungen entsprechend zu installieren.

- Stellen Sie das Gerät auf eine ebene Fläche, um Vibrationen zu vermeiden.
- Stellen Sie das Produkt mindestens 30 cm von Heizung, Herd und ähnlichen Wärmequellen und mindestens 5 cm von Elektroöfen entfernt auf.
- Wenn Sie zwei Kühlschränke nebeneinander aufstellen, müssen Sie einen Mindestabstand von wenigstens 4 cm zwischen beiden Geräten einhalten.
- Das Gerät ist vor direkter Sonneneinstrahlung und Hitze geschützt an einem trockenen Ort aufzustellen.
- Ihr Produkt benötigt eine ausreichende Luftzirkulation, um effizient zu funktionieren. Wenn Sie das Gerät in eine Nische stellen, denken Sie daran, mindestens 5 cm Abstand zwischen dem Produkt und der Decke, der Rückwand und den Seitenwänden zu lassen.
- Prüfen Sie, ob die Rückwand-Abstandsschutzkomponente an ihrem Standort vorhanden ist (falls mit dem Produkt geliefert).
- Wenn die Komponente nicht verfügbar ist oder verloren geht oder heruntergefallen ist, positionieren Sie das Produkt so, dass zwischen der Rückseite des Produkts und der Wand des Raums mindes-

tens 5 cm Abstand verbleiben. Der Freiraum an der Rückseite ist wichtig für den effizienten Betrieb des Produkts.

3.2 Elektrischer Anschluss



Verwenden Sie für den Anschluss an des Stromnetz keine Verlängerungskabel oder Mehrfachsteckdosen.



Ein beschädigtes Kabel darf nur vom autorisierten Kundendienst ausgetauscht werden.



Wenn Sie zwei Kühlschränke nebeneinander aufstellen, müssen Sie einen Mindestabstand von wenigstens 4 cm zwischen beiden Geräten einhalten.



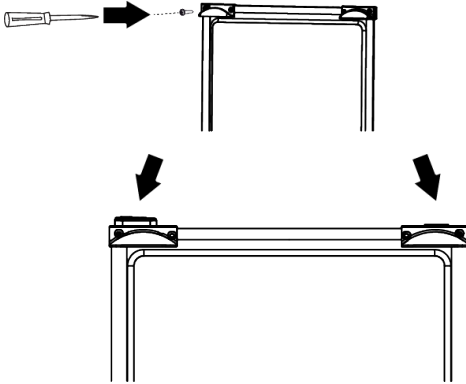
Öffnen Sie vor dem Transport oder der Verwendung niemals die Abdeckung der Steuerplatine des Geräts. Risk of electric shock and fire!

- Unser Unternehmen übernimmt keine Haftung für alle Schäden aufgrund einer Nutzung ohne Erdung oder eines Stromanschlusses, der nicht den örtlichen Vorschriften genügt.
- Das Netzkabel muss nach der Aufstellung gut zugänglich sein.
- Verwenden Sie keinen Mehrfachstecker mit oder ohne Verlängerungskabel zwischen der Steckdose und dem Kühlschrank.

3.3 Anbringen der Kunststoffkeile

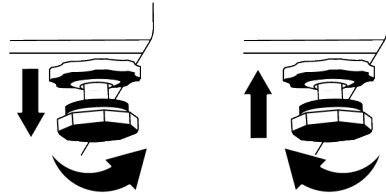
Verwenden Sie die mit dem Gerät gelieferten Kunststoffkeile, um ausreichend Platz für die Luftzirkulation zwischen dem Gerät und der Wand zu schaffen.

1. Um die Keile zu befestigen, entfernen Sie die Schrauben an den jeweiligen Gerätestellen und verwenden die mit den Kunststoffkeilen gelieferten Schrauben.
2. Befestigen Sie 2 Kunststoffkeile an der Lüftungsabdeckung, so wie in der Abbildung dargestellt.



3.4 Einstellen der FüÙe

Wenn sich das Gerät nicht im Gleichgewicht befindet, stellen Sie die vorderen verstellbaren FüÙe ein, indem Sie sie nach rechts oder links drehen.



3.5 Warnung vor heißer Oberfläche!

Die Seitenwände Ihres Produkts sind mit Kühlerrohren ausgestattet, um das Kühlsystem zu verbessern. Hochdruckflüssigkeit kann durch diese Oberflächen fließen und heiÙe Oberflächen an den Seitenwänden verursachen. Dies ist normal und erfordert keine Wartung.

4 Vorbereitung

Lesen Sie zuerst die „Sicherheitshinweise“.

4.1 Was man zum Energiesparen tun kann

- Dieses Kühlgerät ist nicht für die Verwendung als Einbaugerät vorgesehen
- Wenn Lebensmittel in das Gerät gelegt werden, muss auf ausreichend Abstand im Geräteinnenraum geachtet werden, um die für die Kühlung erforderliche Luftzirkulation nicht zu behindern.
- Da heiÙe und feuchte Luft nicht direkt in Ihr Produkt eindringt, wenn die Türen nicht geöffnet werden, optimiert sich Ihr Produkt unter Bedingungen, die zum Schutz Ihrer Lebensmittel ausreichen. Unter diesen Umständen arbeiten Funktionen und Komponenten wie Kompressor, Lüfter, Heizung, Abtauung, Beleuchtung, Display usw. bedarfsgerecht und mit minimalem Energieverbrauch.
- Falls mehrere Optionen vorhanden sind, müssen Glasböden so platziert werden, dass die Luftauslässe an der Rückwand nicht blockiert werden und vorzugsweise so, dass die Luftauslässe unterhalb des Glasbodens bleiben. Diese Kombination kann dazu beitragen, die Luftverteilung und die Energieeffizienz zu verbessern.
- Es wird dringend empfohlen, bei der Lagerung die untere Schublade zu verwenden.
- Für eine optimale Leistung kann die Schnellgefrierfunktion (sofern verfügbar) in den 24 Stunden eingestellt werden, bevor Sie frische Lebensmittel in das Gefrierfach räumen.
- In den meisten Fällen reichen 24 Stunden für die Schnellgefrierfunktion, nachdem frische Lebensmittel in das Gefrierfach gelegt wurden. Nach einiger Zeit deaktiviert sich die Schnellgefrierfunktion automatisch.

- Wenn nur eine geringe Menge frischer Lebensmittel eingefroren werden, kann die Schnellgefrierfunktion nach kurzer Zeit ausgeschaltet werden, um Energie zu sparen.
- Lebensmittel sind in den Schubladen im Kühlfach aufzubewahren, um Energie zu sparen und Lebensmittel unter besseren Bedingungen zu schützen.

4.2 Erste Verwendung

Bevor Sie das Gerät das erste Mal verwenden, achten Sie darauf, alle Vorbereitungen gemäß dieser Bedienungsanleitung, insbesondere wie in den Abschnitten „Wichtige Hinweise zur Sicherheit“ und „Aufstellung“ beschrieben, durchzuführen.

- Für eine einwandfreie Funktion des Kühlmittelkreislaufs warten Sie bitte mindestens zwei Stunden, bevor Sie das Gerät in Betrieb nehmen.
- Lassen Sie das leere Gerät mindesten 6 Stunden lang laufen. In dieser Zeit sollte die Gerätetür, nur geöffnet werden, wann die absolut notwendig ist.
- Die Temperaturänderung, die durch das Öffnen und Schließen der Tür während der Verwendung des Produkts verursacht wird, kann normalerweise zu Kondenswasserbildung führen, die auf Tür-/Korpusregalen und Glaswaren in das Produkt gestellt werden.
- Wenn der Kompressor sich einschaltet, ist ein Geräusch zu hören. Es ist normal, dass das Produkt Geräusche macht,

auch wenn der Kompressor nicht läuft, da im Kühlsystem Flüssigkeit und Gas komprimiert werden können.

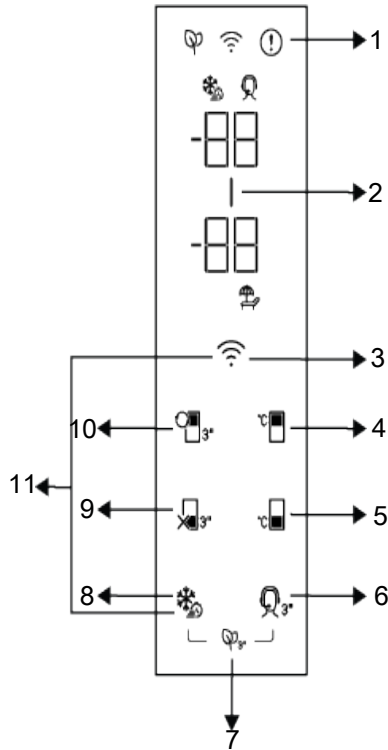
- Es ist normal, dass die vorderen Ränder des Geräts warm sind. Diese sind so gestaltet, dass sie erwärmen, um Kondensation zu vermeiden.
- Bei einigen Modellen schaltet sich die Anzeigetafel 1 Minuten nach dem Schließen der Tür automatisch aus. Sie wird wieder aktiviert, wenn die Tür offen ist oder eine beliebige Taste gedrückt wird.

4.3 Klimaklasse und Definitionen

Bitte beachten Sie die Klimaklasse auf dem Typenschild Ihres Geräts. Je nach Klimaklasse ist eine der folgenden Informationen auf Ihr Gerät anwendbar.

- **SN** Langfristig gemäßigtes Klima: Dieses Kühlgerät ist für den Einsatz bei Umgebungstemperaturen zwischen 10 °C und 32 °C ausgelegt.
- **N**: Gemäßigtes Klima: Dieses Kühlgerät ist für den Einsatz bei Umgebungstemperaturen zwischen 16°C und 32 °C ausgelegt.
- **ST**: Subtropisches Klima: Dieses Kühlgerät ist für den Einsatz bei Umgebungstemperaturen zwischen 16°C und 38°C ausgelegt.
- **T**: Tropisches Klima: Dieses Kühlgerät ist für den Einsatz bei Umgebungstemperaturen zwischen 16°C und 43°C ausgelegt.

5 Bedienfeld des Geräts



- | | |
|--|---|
| 1 Fehlerzustandsanzeige | 2 Energiesparanzeige (Anzeige aus) |
| 3 *WLAN-Taste | 4 Temperatureinstellungstaste für das Gefrierfach |
| 5 Temperatureinstellungstaste für das Kühlfach | 6 *Support-Service-Taste |
| 7 *Desodorierungsmodul-Taste | 8 *Schnellgefriertaste/Taste zur Einstellung der Grifflichtfunktion |
| 9 *Kühlfach aus (Urlaub) Funktionstaste | 10 *Fachumwandlungstaste |
| 11 Taste zum Zurücksetzen der Einstellungen für die kabellose Verbindung | |

Lesen Sie zuerst die „Sicherheitshinweise“. Die auditiven und visuellen Funktionen der Anzeigetafel erleichtert Ihnen die Nutzung des Kühlschranks.

*Optional: Die angezeigten Funktionen sind optional, es können Form- und Lageunterschiede bei den Funktionen auf der Anzeige Ihres Geräts auftreten.

1. Fehlerzustandsanzeige

Diese Anzeige () muss aktiv sein, wenn Ihr Kühlschrank keine ausreichende Kühlung durchführen kann oder wenn ein Sensorfehler vorliegt. Auf der Temperaturanzeige des Gefrierfachs wird "E" angezeigt und auf der Temperaturanzeige des Kühlfachs werden Zahlen wie 1, 2, 3 ... angezeigt. Diese Zahlen geben dem autorisierten Dienst Auskunft über den aufgetretenen Fehler.

Das Ausrufezeichen kann für eine Weile angezeigt werden, wenn Sie warme Lebensmittel in das Gefrierfach laden oder die Tür längere Zeit offen halten. Dies ist kein Fehler. Diese Warnung wird erlischen, wenn die Lebensmittel abgekühlt sind oder wenn eine Taste gedrückt wird.

2. Energiesparanzeige (Anzeige aus)

Die Energiesparfunktion wird automatisch aktiviert und das Energiesparsymbol leuchtet auf, wenn die Tür des Produkts längere Zeit nicht geöffnet oder geschlossen wird. Wenn die Energiesparfunktion aktiv ist, müssen alle Symbole auf dem Bildschirm außer dem Energiesparsymbol deaktiviert sein. Wenn Sie bei aktivierter Energiesparfunktion eine beliebige Taste drücken oder die Tür öffnen, wird die Energiesparfunktion deaktiviert und die Symbole auf dem Bildschirm werden wieder normal angezeigt. Die Energiesparfunktion ist eine ab Werk aktivierte Funktion und kann nicht abgebrochen werden.

3. *WLAN-Taste

Wenn die Taste lange gedrückt wird (3 Sekunden), blinkt das Symbol für die drahtlose Verbindung auf dem Display/Bildschirm langsam (im Abstand von 0,5 Sekunden). Das Heimnetzwerk wird auf diese Weise auf dem Produkt initialisiert.

Nach dem Herstellen einer drahtlosen Verbindung mit dem Produkt leuchtet das Symbol für die drahtlose Verbindung () kontinuierlich auf.

Wenn die erste Verbindung hergestellt ist, können Sie die Verbindung durch kurzes Drücken dieser Taste aktivieren/deaktivie-

ren. Das Symbol für die drahtlose Verbindung wird in kurzen Abständen (von 0,2 Sekunden) blinken, bis die Verbindung hergestellt ist. Wenn die Verbindung aktiv ist, leuchtet das Symbol für das drahtlose Netzwerk kontinuierlich.

Wenn die Verbindung über einen längeren Zeitraum nicht hergestellt werden kann, überprüfen Sie Ihre Verbindungseinstellungen und lesen Sie den Abschnitt „Fehlerbehebung“ im Bedienungsanleitung.

Die HomeWhiz-Anwendung wird für die drahtlose Verbindung verwendet werden. Die Installationsschritte werden in der Anwendung während der Installation beschrieben.

Sie können auf die Anwendung zugreifen, indem Sie den QR-Code lesen, der auf dem HomeWhiz-Etikett des Produkts verfügbar ist. Die Anwendung wird über den App Store für iOS-Geräte und über den Play Store für Android-Geräte angeboten.

Besuchen Sie die Adresse <https://www.homewhiz.com/> für detaillierte Informationen.

4. Temperatureinstellungstaste für das Gefrierfach

Die Temperatureinstellung erfolgt für das Gefrierfach. Durch das Drücken dieser Taste wird die Einstellung der Gefrierfachtemperatur auf -18, -19, -20, -21, -22, -23, -24 Grad Celsius möglich.

5. Temperatureinstellungstaste für das Kühlfach

Ermöglicht die Einstellung der Temperatur für das Kühlfach. Wenn diese Taste gedrückt wird, wird die Temperatur des Kühlfachs auf die Werte 8, 7, 6, 5, 4, 3, 2 und 1 Celsius eingestellt.

6. *Support-Service-Taste

Drücken Sie diese Taste 3 Sekunden lang, um den Kundendienst zu aktivieren/deaktivieren. Ausführliche Informationen über den Support-Service finden Sie im Abschnitt „Support-Service-Leistung“.

7. *Desodorierungsmodul-Taste

Drücken Sie diese Taste 3 Sekunden lang, um die Desodorierungsfunktion zu aktivieren/deaktivieren. Wenn die Desodorierungsfunktion aktiv ist, leuchtet die LED der jeweiligen Taste. Wenn die Funktion aktiv ist, wird das Desodorierungsmodul periodisch betrieben.

8.*Schnellgefrierfaste

Wenn die Schnellgefrierfaste gedrückt wird, leuchtet die LED auf der Taste und die Schnellgefrierfunktion wird aktiviert. Die Temperatur des Gefrierfachs ist auf -27 Grad Celsius eingestellt. Drücken Sie erneut auf die Taste, um die Funktion abzubrechen. Die Schnellgefrierfunktion wird automatisch aufgehoben. Um eine große Menge an frischen Lebensmitteln einzufrieren, drücken Sie die Schnellgefrierfaste, bevor Sie die Lebensmittel in das Gefrierfach legen.

*Taste zur Einstellung der Grifflichtfunktion

Die Grifflichtfunktion kann zwischen offenem und geschlossenem Modus umgeschaltet werden, indem die Schnellgefrierfaste 3 Sekunden lang gedrückt wird. Im geschlossenen Modus wird das Grifflicht nur aktiviert, wenn die Gerätetür geöffnet wird, und erlischt nach einer Weile, nachdem die Tür geschlossen wurde. Im geöffneten Modus wird das Grifflicht beim Öffnen der Gerätetür aktiviert, nach dem Schließen der Tür bleibt das Grifflicht eine Zeit lang schwach eingeschaltet. Die Funktion des Grifflichts ist auf den Modus "ab Werk geschlossen" eingestellt.

9.*Kühlfach aus (Urlaub) Funktionstaste



Drücken Sie die Taste 3 Sekunden lang, um die Urlaubsfunktion zu aktivieren. Der Urlaubsmodus ist aktiviert und das Urlaubssymbol

leuchtet. Auf der Temperaturanzeige des Kühlfachs wird „-“ angezeigt, und der Kühlfach führt keine aktive Kühlung durch. Wenn Sie diese Funktion aktivieren, sollten Sie Ihre Lebensmittel nicht im Kühlfach aufbewahren. Die anderen Fächer kühlen entsprechend der zuvor eingestellten Temperaturen weiter. Drücken Sie die Taste erneut 3 Sekunden lang, um diese Funktion abzubrechen.

10. *Fachumwandlungstaste

Durch Drücken der Fachumwandlungstaste für 3 Sekunden wechselt das Gefrierfach bzw. zwischen Kühl-, Aus- und Gefriermodus. Wird es als Kühlfach betrieben, wird die Temperatur des Kühlfaches auf 4 °C eingestellt. Im ausgeschalteten Zustand zeigt die Fachtemperaturanzeige "- -" an.

11. Taste zum Zurücksetzen der Einstellungen für die kabellose Verbindung



Um die Einstellungen für die drahtlose Verbindung zurückzusetzen, drücken Sie die Schnellgefrier- und kabellose Verbindungstaste (Wireless connection) gleichzeitig für 3 Sekunden. Alle zuvor aufgezeichneten Benutzerinformationen werden auf einem Produkt entfernt, bei dem die Einstellungen für die drahtlose Verbindung auf die Werkseinstellungen zurückgesetzt/wiederhergestellt werden.

Die Temperatur kann für das Kühlfach auf Werte zwischen 1°C und 8°C sowie für das Gefrierfach auf Werte zwischen -24°C und -15°C eingestellt werden. Die einstellbaren Temperaturwerte können variieren, sofern sie innerhalb der spezifischen Temperaturbereiche für das Gerät liegen.

6 Produktbedienung

Lesen Sie zuerst die „Sicherheitshinweise“.

- Das Gerät darf nur zur Aufbewahrung von Lebensmitteln verwendet werden.
- Schalten Sie das Wasserventil aus, wenn Sie nicht zu Hause sind (z.B. im Urlaub) und die Eismaschine oder den Wasserspender längere Zeit nicht benutzen. Andernfalls können Wasserlecks auftreten.

Ausstecken des Produkts

- Entfernen Sie die Lebensmittel, um Gerüche zu vermeiden.
- Warten Sie, bis das Eis geschmolzen ist, reinigen Sie den Innenraum und lassen Sie ihn trocknen; lassen Sie die Türen offen, um eine Beschädigung der inneren Kunststoffteile zu vermeiden.

6.1 Auswechseln der Beleuchtungslampe

Rufen Sie den autorisierten Kundendienst an, wenn die Glühbirne/LED für die Beleuchtung Ihres Kühlschranks ausgetauscht werden soll.

Die in diesem Gerät verwendeten Lampen können nicht für die Hausbeleuchtung verwendet werden. Die beabsichtigte Verwendung dieser Lampe soll dem Benutzer helfen, Lebensmittel sicher und bequem in den Kühl- / Gefrierschrank zu stellen.

6.2 Aufbewahrung von Lebensmitteln im Gefrier- und Kühlfach

Lagerung von Lebensmitteln im Gefrierfach

- Sie können die Schnellgefrierfunktion 4-6 Stunden vor dem Einfrieren aktivieren und eine schnellere Abkühlung vornehmen.
- Bringen Sie warme Speisen auf Raumtemperatur, bevor Sie sie in das Gefrierfach legen.
- Lebensmittel, die eingefroren werden sollen, müssen entsprechend der zu verzehrenden Größe in Portionen aufgeteilt und in separaten Verpackungen eingefroren werden.

- Es wird empfohlen, die Lebensmittel zu verpacken, bevor sie in den Gefrierschrank gelegt werden.
- Um zu verhindern, dass die Lagerzeit abläuft, schreiben Sie das Einfrierdatum, die Uhrzeit und den Namen des Produkts auf die Verpackung, entsprechend der Lagerzeit der verschiedenen Lebensmittel.
- Verbrauchen Sie die aufgetauten Lebensmittel schnell. Aufgetaute Lebensmittel können nicht wieder eingefroren werden, es sei denn, sie werden gekocht. Es ist nicht sicher, die wieder eingefrorenen frischen Lebensmittel nach dem Auftauen ohne Kochen zu verzehren.
- Bringen Sie beim Einfrieren frischer Lebensmittel diese nicht mit bereits gefrorenen Lebensmitteln in Kontakt. Andernfalls werden die gefrorenen Lebensmittel aufgetaut.

Aufbewahrung der Lebensmittel, die tiefgekühlt verkauft werden

- Halten Sie sich bei der Lagerung von Lebensmitteln an die in diesen Anweisungen angegebenen Zeiträume.
- Um die Qualität der Lebensmittel zu schützen, sollten Sie die Zeitspanne zwischen Kauf und Lagerung so kurz wie möglich halten.
- Kaufen Sie Tiefkühlkost, die bei -18 °C oder niedrigeren Temperaturen gelagert wird.
- Vermeiden Sie den Kauf von Lebensmitteln, deren Verpackungen mit Eis usw. bedeckt sind. Dies bedeutet, dass das Produkt teilweise aufgetaut und wieder eingefroren werden könnte. Die Temperatur wirkt sich auf die Qualität der Lebensmittel aus.
- Überschreiten Sie nicht die vom Lebensmittelhersteller empfohlene Lagerzeit. Nehmen Sie nur so viele Lebensmittel aus dem Gefrierschrank, wie Sie benötigen.
- Abgesehen von den Fällen, in denen in der Umgebung extreme Bedingungen herrschen, bleiben die Lebensmittel sowohl im Frischfach als auch im Gefrier-

fach länger frisch, wenn Sie Ihr Produkt (auf der Tabelle der empfohlenen Werte) auf die angegebenen Werte einstellen.

- Wenn das Frischhaltefach auf eine niedrigere Temperatur eingestellt ist, kann frisches Obst und Gemüse teilweise gefroren sein.

Tabelle der empfohlenen Einstellwerte

| Gefrierfacheinstellung | Gefrierfacheinstellung | Bemerkungen |
|------------------------|------------------------|---|
| -18°C | 4°C | Das ist die standardmäßige, empfehlende Einstellung. Diese Einstellung wird empfohlen, wenn die Umgebungstemperatur unter 30°C liegt. |
| -20, -22 oder -24 °C | 4°C | Diese Einstellungen werden für Umgebungstemperaturen empfohlen, die 30°C überschreiten. |
| Schnelleinfrieren | 4°C | Verwenden Sie sie, wenn Sie Ihre Lebensmittel in kurzer Zeit einfrieren möchten. Nach Beendigung des Vorgangs werden die Einstellungen des Produkts auf die vorherige Position zurückgesetzt. |
| -18°C oder kälter | 2°C | Verwenden Sie diese Einstellungen, wenn Sie überzeugt sind, dass das Frischfach, aufgrund der Umgebungstemperatur oder dem Öffnen der Tür nicht kalt genug sind. |

Schnelleinfrieren

1. Aktivieren Sie die Schnellgefrierfunktion 24 Stunden vor dem Einlegen Ihrer frischen Lebensmittel.
2. Nach 24 Stunden nach dem Drücken der Taste legen Sie die Lebensmittel, die Sie einfrieren möchten, in das erste Regal mit höherer Gefrierkapazität.
3. Die Schnellgefrierfunktion schaltet sich nach einer gewissen Zeit automatisch ab.

Gefrierschrank Details

Gemäß den IEC 62552-Standards muss das Gefrierschrank über eine Kapazität zum Einfrieren von 4,5 kg an Lebensmitteln bei Temperaturen von -18°C oder niedriger von 25°C in 24 Stunden pro jeweils 100 Liter an Gefrierfachvolumen verfügen.

Lebensmittel können über eine längere Zeit hinweg nur bei Temperaturen von weniger als -18 °C gelagert werden.

Sie können die Lebensmittel über Monate frisch halten (im Gefrierschrank bei Temperaturen von oder niedriger als -18 °C Grad). Die einzufrierenden Lebensmittel dürfen nicht mit bereits tiefgekühlten Produkten in Berührung kommen, um ein teilweises Auftauen zu verhindern.

Blanchieren Sie das Gemüse und gießen Sie das Wasser ab, um die Lagerzeit bei Tiefkühlung zu verlängern. Legen Sie das Gefriergut nach dem Abgießen in luftdichte Verpackungen und dann in das Gefrierschrank. Bananen, Tomaten, Salat, Sellerie, gekochte Eier, Kartoffeln und vergleichbare Lebensmittel dürfen nicht eingepackt werden. Wenn diese Lebensmittel eingefroren werden, werden nur der Nährwert und die Verzehreigenschaften beeinträchtigt. Eine Verrottung, die die menschliche Gesundheit bedroht, kommt nicht in Frage.

Platzierung der Lebensmittel

Regale im Gefrierfach: Verschiedene Tiefkühlkost wie Fleisch, Fisch, Eiscreme, Gemüse usw.

Regale im Kühlfach: Lebensmittel in Töpfen, Behältern mit Deckeln und Verschlusskappen, sowie Eier (geschlossenen Gefäßen)

Kühlfachtürregale: Kleine und verpackte Lebensmittel oder Getränke

Gemüsefach: Gemüse und Obst

Fach für frische Lebensmittel: Feinkostprodukte (Frühstücksprodukte, Fleischprodukte, die in kurzer Zeit verzehrt werden)

Aufbewahrung von Lebensmitteln im Kühlfach

- Die Temperatur des Fachs steigt stark an, wenn die Fachtür häufig geöffnet und geschlossen wird und lange Zeit offen bleibt; dies kann die Lebensdauer der Lebensmittel verkürzen und zum Verderben der Lebensmittel führen.
- Um Geruchs- und Geschmacksveränderungen zu vermeiden, sollten die Lebensmittel in geschlossenen Behältern aufbewahrt werden.
- Lagern Sie nicht zu viele Lebensmittel in Ihrem Kühlschrank. Um eine bessere und gleichmäßige Kühlung zu erreichen, legen Sie die Lebensmittel getrennt voneinander so ein, dass die kalte Luft durch sie hindurchströmen kann.
- Sorgen Sie für Luftzirkulation, indem Sie einen Zwischenraum zwischen den Lebensmitteln und der Innenwand lassen. Wenn Sie die Lebensmittel an die Rückwand lehnen, können sie einfrieren.
- Bringen Sie gekochte warme Speisen auf Zimmertemperatur, bevor Sie diese in den Kühlschrank stellen. Dann können Sie die lauwarmen Speisen in die unteren Fächer des Kühlschranks stellen. Stellen Sie die lauwarmen Speisen nicht in die Nähe von Lebensmitteln, die leicht verderben können.
- Tauen Sie Ihre gefrorenen Lebensmittel im Frischhaltefach auf. Auf diese Weise können Sie das Frischhaltefach durch die Verwendung von Tiefkühlkost kühlen und Energie sparen.
- Lagern Sie unreife Südfrüchte (Mango, Melonen, Papaya, Banane, Ananas) im Kühlschrank, um den Reifeprozess zu beschleunigen. Dies ist nicht empfehlenswert, da sich dadurch die Lagerzeit verkürzt.
- Zwiebeln, Knoblauch, Ingwer und anderes Wurzelgemüse sollten Sie nicht im Kühlschrank, sondern in einem dunklen und kalten Raum aufbewahren.
- Wenn Sie feststellen, dass ein Lebensmittel im Kühlschrank verdorben ist, werfen Sie es weg und reinigen Sie das Zubehör, das mit dem Lebensmittel in Berührung gekommen ist.
- Um Speisen wie Suppen und Eintöpfe, die in großen Töpfen gekocht werden, schnell abzukühlen, können Sie sie in eigenen flachen Behältern in den Kühlschrank stellen.
- Stellen Sie unverpackte Lebensmittel nicht in die Nähe von Eiern.
- Bewahren Sie Obst und Gemüse getrennt auf und lagern Sie jede Sorte zusammen (z.B. Äpfel mit Äpfeln, Karotten mit Karotten).
- Nehmen Sie grünes Gemüse aus dem Plastikbeutel und legen Sie es in den Kühlschrank, nachdem Sie es in ein Papiertuch oder ein Trockentuch eingewickelt haben. Wenn Sie diese Art von Lebensmitteln waschen, bevor Sie sie in den Kühlschrank stellen, denken Sie daran, sie zu trocknen.
- Sie können sowohl eine feuchte Umgebung schaffen als auch für einen Luftstrom sorgen, indem Sie Obst und Gemüse, die zum Austrocknen neigen, in perforierten oder unverschlossenen Plastiktüten aufbewahren.
- Abgesehen von den Fällen, in denen in der Umgebung extreme Bedingungen herrschen, bleiben die Lebensmittel sowohl im Frischfach als auch im Gefrierfach länger frisch, wenn Sie Ihr Produkt (auf der Tabelle der empfohlenen Werte) auf die angegebenen Werte einstellen.

Lagern Sie verschiedene Lebensmittel je nach ihren Eigenschaften an unterschiedlichen Orten.

| | |
|--|---|
| Essen | Standort |
| Eier | Türregal |
| Molkereiprodukte (Butter, Käse) | Falls verfügbar, Null-Grad-Fach (für Frühstücksnahrung) |
| Obst, Gemüse und Grünzeug | Obst-/Gemüsefach, Gemüse- oder EverFresh+-Fach (sofern vorhanden) |
| Frisches Fleisch, Geflügel, Fisch, Wurst usw. Gekochte Lebensmittel | Falls verfügbar, Null-Grad-Fach (für Frühstücksnahrung) |
| Servierfertige Lebensmittel, verpackte Produkte, Konserven und eingelegte Lebensmittel | Obere Regale oder Türregal |
| Getränke, Flaschen, Gewürze und Snacks | Türregal |

7 Alarm bei offener Tür

Das Türöffnungswarnsystem Ihres Kühlschranks kann sich je nach Modell unterscheiden.

Version 1;

Bleibt die Tür des Geräts für eine bestimmte Zeit (zwischen 60 s und 120 s) offen, ertönt ein akustisches Warnsignal; je nach Produktmodell kann auch ein optisches Warnsignal (Lichtblitz) angezeigt werden. Wenn Sie die Tür des Geräts schließen oder eine Taste auf dem Bildschirm des Geräts drücken (falls vorhanden), wird der Warnton beendet.

Version 2;

Wenn die Tür des Geräts für eine bestimmte Zeit (zwischen 60 s und 120 s) offen bleibt, ertönt der Türöffnungsalarm. Der Türöffnungsalarm wird schrittweise ausgelöst. Zunächst ertönt ein akustisches Warnsignal. Wenn die Tür nach 4 Minuten immer noch nicht geschlossen ist, wird eine optische Warnung (Blinklicht) aktiviert. Der Türöffnungsalarm wird für eine bestimmte Zeit (zwischen 60 s und 120 s) verzögert, wenn eine beliebige Taste auf dem Produktbildschirm gedrückt wird (falls vorhanden). Danach beginnt der Vorgang von neuem. Wenn die Gerätetür geschlossen ist, wird der Türöffnungsalarm aufgehoben.

8 Produktmerkmale

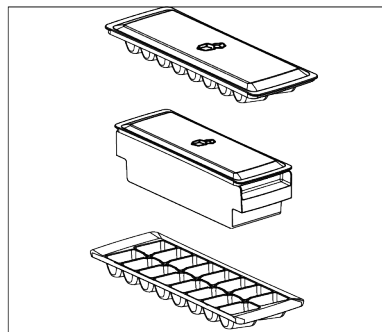
8.1 Der Eisspeicherraum

Eisbehälter

Mit dem Eisbehälter können Sie ganz einfach Eis aus dem Kühlschrank entnehmen.

Verwendung des Eisbehälters

1. Nehmen Sie den Eisbehälter aus dem Gefrierfach.
2. Füllen Sie den Eisbehälter mit Wasser.
3. Stellen Sie den Eisbehälter in das Gefrierfach. Das Eis sollte nach ca. zwei Stunden fertig sein.
4. Nehmen Sie den Eisbehälter aus dem Gefrierfach und biegen Sie ihn leicht über den Halter, den Sie servieren möchten. Eis wird leicht in den Servierhalter geschüttet.



8.2 Eierhalter

Sie können den Eierhalter auf der Tür oder auf dem Gehäuseregal platzieren, wie Sie möchten.

Wenn Sie den Eierhalter auf der Hauptablage platzieren, empfehlen wir Ihnen, die kälteren unteren Ablagen zu wählen.

- Stellen Sie den Eierhalter niemals auf das Gefrierfach

8.3 Gemüsefach

Das Gemüsefach im Kühlschrank hält das Gemüse frisch, indem ihre Feuchtigkeit erhalten bleibt. Für diesen Zweck ist die Zirkulation der Kaltluft im Gemüsefach intensiver. Lagern Sie Obst oder Gemüse in diesem Fach. Lagern grünblättriges Gemüse getrennt von Früchten, um deren Leben zu verlängern.

9 Wartung und Reinigung

Lesen Sie zuerst die „Sicherheitshinweise“. Ziehen Sie vor der Reinigung Ihres Geräts den Netzstecker oder schalten Sie die Sicherung aus, an die es angeschlossen ist. Stellen Sie Ihre Hände, Füße oder Metallgegenstände nicht unter den Kühlschrank oder zwischen den Kühlschrank und den Boden, aus welchem Grund auch immer. Es kann zu einem Einklemmen kommen oder scharfe Kanten können Verletzungen verursachen.

- Verwenden Sie zum Reinigen des Produkts keine scharfen oder scheuernden Werkzeuge. Verwenden Sie keine Materialien wie Haushaltsreiniger, Seifen, Reinigungsmittel, Gas, Benzin, Verdünner, Alkohol, Wachs usw.
- Der Staub muss mindestens einmal im Jahr vom Lüftungsgitter auf der Rückseite des Produkts entfernt werden (ohne die Abdeckung zu öffnen). Reinigen Sie das Produkt nur mit einem trockenen Tuch.
- Achten Sie darauf, dass die Abdeckung der Lampen und sonstige Elektroteile nicht mit Wasser in Kontakt kommen.
- Reinigen Sie die Tür nur mit einem feuchten Tuch. Entfernen Sie den gesamten Inhalt, um die Tür- und Gehäuseregale zu entfernen. Entfernen Sie die Türregale, indem Sie sie nach oben heben. Reinigen

8.4 Kühlraum für Molkereiprodukte

Kühlagerschublade

Die Kühlschublade kann im Kühlfach niedrigere Temperaturen erreichen. Verwenden Sie diese Schublade für Feinkostprodukte (Salami, Wurst usw.) und Milchprodukte, die kältere Lagerbedingungen erfordern, oder für Fleisch, Hähnchen oder Fisch, die schnell verzehrt werden sollen. Es ist nicht geeignet, Obst und Gemüse in dieser Schublade aufzubewahren.

Sie die Türeinsätze gründlich und setzen Sie sie sodann wieder ein, indem Sie diesen nach unten gleiten lassen.

- Verwenden Sie kein chlorhaltiges Wasser bzw. chlorhaltige Reinigungsmittel zur Reinigung der Außenflächen und chrombeschichteten Teile des Geräts. Chlor lässt metallische Oberflächen rosten.
- Verwenden Sie keine scharfen und scheuernden Werkzeuge, Seife, Haushaltsreiniger, Reinigungsmittel, Gas, Benzin, Lacke und ähnliche Substanzen, um eine Verformung und Entfernung der Drucke auf dem Kunststoffteil zu vermeiden. Verwenden Sie zum Reinigen warmes Wasser und ein weiches Tuch und trocknen Sie es anschließend ab.
- Bei Produkten ohne Frostschutzfunktion können Wassertropfen und Eisbildung bis zu einer Fingerdicke an der Rückwand des Kühlfachs auftreten. Nicht reinigen und niemals Öle oder ähnliche Materialien auftragen.
- Verwenden Sie nur ein leicht angefeuchtetes Mikrofasertuch, um die Außenfläche des Produkts zu reinigen. Schwämme und andere Arten von Reinigungskleidung können Kratzer verursachen.
- Um alle entfernbareren Komponenten während der Reinigung der Innenfläche des Produkts zu reinigen, waschen Sie diese Komponenten mit einer milden Lösung

aus Seife, Wasser und Karbonat. Gründlich waschen und trocknen. Kontakt von Wasser mit Beleuchtungskomponenten und dem Bedienfeld verhindern.

- Verwenden Sie auf keiner Innenfläche Essig, Reinigungsalkohol oder andere Reinigungsmittel auf Alkoholbasis.

Außenflächen aus Edelstahl

Verwenden Sie ein nicht scheuerndes Reinigungsmittel aus rostfreiem Stahl und tragen Sie es mit einem weichen, fusselfreien Tuch auf. Wischen Sie zum Polieren die Oberfläche vorsichtig mit einem mit Wasser angefeuchteten Mikrofasertuch ab und verwenden Sie eine trockene Poliergämsse. Folgen Sie immer den Adern des Edelstahls.

Gerüche verhindern

Das Gerät wurde ohne die Verwendung von Geruch erzeugenden Materialien hergestellt. Die unsachgemäße Lagerung von Le-

bensmitteln und die unsachgemäße Reinigung der Innenflächen können jedoch zu Geruchsbildung führen.

- Um dies zu vermeiden, sollten Sie den Innenraum mit kohlenstoffhaltigem Wasser alle fünfzehn Tage reinigen.
- Bewahren Sie die Lebensmittel in versiegelten Behältern auf, da Mikroorganismen, die von Lebensmitteln in nicht versiegelten Behältern stammen, einen schlechten Geruch verursachen.
- Bewahren Sie keine verdorbenen Lebensmittel bzw. solche mit abgelaufenem Haltbarkeitsdatum im Kühlschrank auf.

Schutz der Kunststoffoberflächen

Auf Kunststoffoberflächen ausgelaufenes Öl kann diese beschädigen. Reinigen Sie daher solche Verschmutzungen unverzüglich.

10 Fehlerbehebung

Lesen Sie zuerst die „Sicherheitshinweise“. Prüfen Sie diese Liste, bevor Sie sich an den Kundendienst wenden. So sparen Sie Zeit und Geld. Diese Liste enthält häufige Beanstandungen, die nicht auf Verarbeitungs- oder Materialfehler zurückzuführen sind. Bestimmte hier aufgeführte Merkmale treffen möglicherweise nicht auf Ihr Produkt zu.

Wenn das Problem nach Befolgen der Anweisungen in diesem Abschnitt weiterhin besteht, wenden Sie sich an Ihren Händler oder einen autorisierten Kundendienst. Versuchen Sie nicht, das Gerät zu reparieren.

Der Kühlschrank funktioniert nicht.

- Der Netzstecker ist nicht vollständig eingesteckt. >>> Stecken Sie den Stecker vollständig in die Steckdose.
- Die Sicherung in der Steckdose, die das Produkt mit Strom versorgt, oder die Hauptsicherung ist durchgebrannt. >>> Prüfen Sie die Sicherung.

Kondenswasser an der Seitenwand des Kühlfachs (MULTI ZONE, COOL CONTROL und FLEXI ZONE).

- Die Tür wird zu häufig geöffnet. >>> Achten Sie darauf, die Tür des Geräts nicht zu häufig zu öffnen.
- Die Umgebung ist zu feucht. >>> Stellen Sie das Gerät nicht in feuchten Umgebungen auf.
- Flüssigkeitshaltige Lebensmittel werden in unverschlossenen Behältern aufbewahrt. >>> Bewahren Sie die Lebensmittel, die Flüssigkeiten enthalten, in versiegelten Behältern auf.
- Die Tür des Geräts steht offen. >>> Lassen Sie die Tür des Geräts nicht für längere Zeit offen.
- Der Thermostat ist auf eine sehr kühle Temperatur eingestellt. >>> Stellen Sie den Thermostat auf eine angemessene Temperatur ein.

Der Kompressor funktioniert nicht.

- Bei einem plötzlichen Stromausfall oder wenn der Netzstecker gezogen und wieder eingesteckt wird, ist der Gasdruck im Kühlsystem des Geräts nicht ausgeglichen, wodurch die thermische Sicherung des Kompressors ausgelöst wird. Das Gerät schaltet sich nach etwa 6 Minuten wieder ein. Wenn das Gerät nach diesem Zeitraum nicht wieder anläuft, wenden Sie sich an den Kundendienst.
- Die Abtaung ist aktiv. >>> Dies ist normal für ein vollautomatisches Abtaunungsprodukt. Die Abtaung wird regelmäßig durchgeführt.
- Das Gerät ist nicht eingesteckt. >>> Vergewissern Sie sich, dass das Netzkabel eingesteckt ist.
- Die Temperatur ist falsch eingestellt. >>> Wählen Sie die richtige Temperatureinstellung.
- Der Strom ist ausgefallen. >>> Das Gerät arbeitet normal weiter, sobald die Stromversorgung wiederhergestellt ist.

Das Betriebsgeräusch des Kühlschranks nimmt während des Betriebs zu.

- Die Betriebsleistung des Geräts kann je nach den Schwankungen der Umgebungstemperatur variieren. Dies ist normal und stellt keine Fehlfunktion dar.

Der Kühlschrank läuft zu oft oder zu lange.

- Das neue Gerät ist möglicherweise größer als das vorherige. Größere Produkte sind länger in Betrieb.
- Die Raumtemperatur ist möglicherweise zu hoch. >>> Das Gerät läuft normalerweise über längere Zeit bei höherer Raumtemperatur.
- Das Gerät wurde möglicherweise vor kurzem eingesteckt oder es wurde ein neues Lebensmittel hineingelegt. >>> Das Gerät braucht länger, um die eingestellte Temperatur zu erreichen, wenn es kürzlich eingesteckt wurde oder ein neues Lebensmittel hineingelegt wurde. Das ist normal.

- Möglicherweise wurden kürzlich große Mengen heißer Lebensmittel in das Gerät gelegt. >>> Legen Sie keine heißen Lebensmittel in das Gerät.
- Die Türen wurden häufig geöffnet oder für längere Zeit offen gehalten. >>> Die warme Luft, die sich im Inneren bewegt, lässt das Gerät länger laufen. Öffnen Sie die Türen nicht zu häufig.
- Die Tür des Gefrier- oder Kühlgeräts ist möglicherweise angelehnt. >>> Vergewissern Sie sich, dass die Türen vollständig geschlossen sind.
- Das Gerät ist möglicherweise auf eine zu niedrige Temperatur eingestellt. >>> Stellen Sie die Temperatur auf eine höhere Stufe und warten Sie, bis das Produkt die eingestellte Temperatur erreicht hat.
- Die Türdichtung des Kühl- oder Gefrierschranks ist möglicherweise verschmutzt, abgenutzt, kaputt oder nicht richtig eingesetzt. >>> Reinigen oder ersetzen Sie die Dichtung. Eine beschädigte/gerissene Türdichtung führt dazu, dass das Gerät länger laufen muss, um die aktuelle Temperatur zu halten.

Die Temperatur des Gefrierfachs ist sehr niedrig, aber die Temperatur des Kühlfachs ist ausreichend.

- Die Temperatur des Gefrierfachs ist auf eine sehr niedrige Temperatur eingestellt. >>> Stellen Sie die Temperatur des Gefrierfachs auf eine höhere Stufe und prüfen Sie erneut.

Die Temperatur im Kühlfach ist sehr niedrig, aber die Temperatur im Gefrierfach ist ausreichend.

- Die Temperatur des Kühlfachs ist sehr niedrig eingestellt. >>> Stellen Sie die Temperatur des Kühlfachs auf eine höhere Temperatur ein und überprüfen Sie sie erneut.

Die Lebensmittel in den Schubladen des Kühlfachs sind gefroren.

- Die Temperatur des Kühlfachs ist sehr niedrig eingestellt. >>> Stellen Sie die Temperatur des Kühlfachs auf eine höhere Temperatur ein und überprüfen Sie sie erneut.

Die Temperatur im Kühl- oder Gefrierfach ist zu hoch.

- Die Kühlfachtemperatur ist sehr hoch eingestellt. >>> Die Temperatureinstellung des Kühlfachs wirkt sich auf die Temperatur im Gefrierfach aus. Warten Sie, bis die Temperatur der betreffenden Teile ein ausreichendes Niveau erreicht hat, indem Sie die Temperatur der Kühl- oder Gefrierfächer ändern.
- Die Türen wurden häufig geöffnet oder für längere Zeit offen gehalten. >>> Öffnen Sie die Türen nicht zu häufig.
- Die Tür kann angelehnt sein. >>> Schließen Sie die Tür vollständig.
- Das Gerät wurde möglicherweise vor kurzem eingesteckt oder es wurde ein neues Lebensmittel hineingelegt. >>> Das ist normal. Das Gerät braucht länger, um die eingestellte Temperatur zu erreichen, wenn es kürzlich eingesteckt wurde oder ein neues Lebensmittel hineingelegt wurde.
- Möglicherweise wurden kürzlich große Mengen heißer Lebensmittel in das Gerät gelegt. >>> Legen Sie keine heißen Lebensmittel in das Gerät.

Schütteln oder Geräusche.

- Der Untergrund ist nicht eben oder nicht stabil >>> Wenn das Produkt bei langsamer Bewegung wackelt, stellen Sie die Ständer ein, um das Produkt auszubalancieren. Vergewissern Sie sich auch, dass der Boden ausreichend stabil ist, um das Gerät zu tragen.
- Auf dem Gerät abgestellte Gegenstände können Geräusche verursachen. >>> Entfernen Sie alle auf dem Gerät abgestellten Gegenstände.
- Das Gerät macht Geräusche von fließenden, spritzenden Flüssigkeiten usw.
- Die Funktionsweise des Produkts beinhaltet Flüssigkeits- und Gasströme. >>> Dies ist normal und stellt keine Fehlfunktion dar.

Aus dem Gerät kommt ein Windgeräusch.

- Das Produkt verwendet einen Ventilator für den Kühlprozess. Dies ist normal und stellt keine Fehlfunktion dar.

An den Innenwänden des Produkts bildet sich Kondenswasser.

- Heißes oder feuchtes Wetter führt zu verstärkter Vereisung und Kondensation. Dies ist normal und stellt keine Fehlfunktion dar.
- Die Türen wurden häufig geöffnet oder für längere Zeit offen gehalten. >>> Öffnen Sie die Türen nicht zu häufig; wenn sie offen sind, schließen Sie die Tür.
- Die Tür kann angelehnt sein. >>> Schließen Sie die Tür vollständig.

An der Außenseite des Geräts oder zwischen den Türen bildet sich Kondenswasser.

- Die Umgebungsluft kann feucht sein, dies ist bei feuchtem Wetter ganz normal. >>> Das Kondenswasser wird sich auflösen, wenn die Luftfeuchtigkeit reduziert wird.

Der Innenraum riecht schlecht.

- Das Produkt wird nicht regelmäßig gereinigt. >>> Reinigen Sie den Innenraum regelmäßig mit einem Schwamm, warmem Wasser und kohlenstoffhaltigem Wasser.
- Bestimmte Halterungen und Verpackungsmaterialien können Geruch verursachen. >>> Verwenden Sie geruchsneutrale Halterungen und Verpackungsmaterialien.
- Die Lebensmittel wurden in nicht verschlossenen Behältern gelagert. >>> Lagern Sie die Lebensmittel in geschlossenen Behältern. Mikroorganismen können auf unverschlossene Lebensmittel überspringen und unangenehme Gerüche verursachen.
- Entfernen Sie alle abgelaufenen oder verdorbenen Lebensmittel aus dem Gerät.

Die Tür schließt nicht.

- Lebensmittelverpackungen können die Tür blockieren. >>> Entfernen Sie alle Gegenstände, die die Türen blockieren.
- Das Gerät steht nicht ganz aufrecht auf dem Boden. >>> Stellen Sie die Ständer so ein, dass das Gerät im Gleichgewicht ist.
- Die Oberfläche ist nicht eben oder nicht stabil >>> Vergewissern Sie sich, dass die Oberfläche eben und ausreichend stabil ist, um das Produkt zu tragen.

Das Gemüsefach ist eingeklemmt.

- Die Lebensmittel können mit dem oberen Teil der Schublade in Kontakt sein. >>> Ordnen Sie die Lebensmittel in der Schublade neu an.

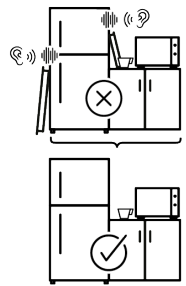
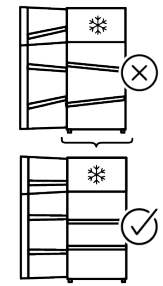
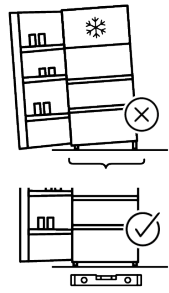
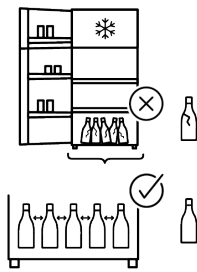
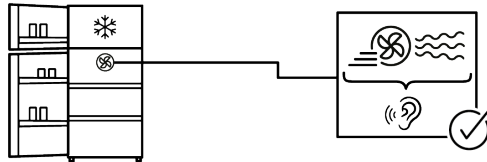
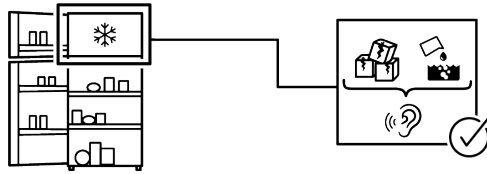
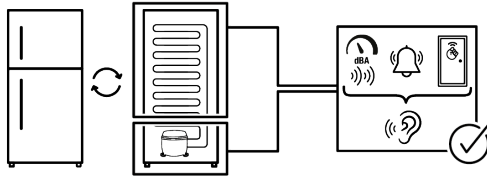
Temperatur auf der Oberfläche des Produkts.

- Während des Betriebs Ihres Geräts kann zwischen zwei Türen, an den Seitenwänden und im hinteren Grillbereich eine hohe Temperatur festgestellt werden. Dies ist normal und erfordert keine Wartung.

Das Gebläse läuft weiter, wenn die Tür geöffnet wird.

- Das Gebläse kann weiterlaufen, wenn die Gefrierschranktür geöffnet ist.

Wenn das Problem nach Befolgen der Anweisungen in diesem Abschnitt weiterhin besteht, wenden Sie sich an Ihren Händler oder einen autorisierten Kundendienst. Versuchen Sie nicht, das Gerät zu reparieren. Das ist normal.



HAFTUNGSAUSSCHLUSS

Einige (einfache) Störungen können vom Endbenutzer in angemessener Weise behoben werden, ohne dass Sicherheitsprobleme oder eine unsichere Verwendung auftreten, vorausgesetzt, sie werden innerhalb der Grenzen und in Übereinstimmung mit den folgenden Anweisungen durchgeführt (siehe Abschnitt "Selbstreparatur").

Sofern im Abschnitt "Selbstreparatur" nichts anderes angegeben ist, müssen Reparaturen von registrierten Fachwerkstätten durchgeführt werden, um Sicherheitsprobleme zu vermeiden. Eine registrierte professionelle Reparaturwerkstatt ist eine professionelle Reparaturwerkstatt, die vom Hersteller gemäß den in den Rechtsakten gemäß der Richtlinie 2009/125/EG beschriebenen Methoden Zugang zu den Anweisungen und der Ersatzteilliste dieses Produkts erhalten hat.

Allerdings darf nur der Kundendienst (d.h. die autorisierte Fachwerkstatt), den Sie über die in der Bedienungsanleitung/Garantiekarte angegebene Telefonnummer oder über Ihren Vertragshändler erreichen können, Serviceleistungen im Rahmen der Garantiebedingungen erbringen. Bitte beachten Sie daher, dass bei Reparaturen durch professionelle (die nicht autorisiert sind durch)WhirlpoolReparateure die Garantie erlischt.

Selbstreparatur

Folgende Ersatzteile können durch den Endverbraucher allein repariert werden: Türgriffe, Türscharniere, Schalen, Körbe und Türdichtungen (eine aktualisierte Liste ist ab dem 1. März 2021 ebenfalls <https://parts-selfservice.europeanappliances.com> verfügbar).

Um die Sicherheit des Produkts zu gewährleisten und die Gefahr schwerer Verletzungen zu vermeiden, müssen die erwähnten Selbstreparaturen gemäß den Anweisungen in der Bedienungsanleitung für die Selbstreparatur durchgeführt werden, die in [\[ces.com\]\(https://parts-selfservice.europeanappliances.com\) verfügbar sind. Ziehen Sie zu Ihrer Sicherheit den Netzstecker, bevor Sie versuchen, das Gerät selbst zu reparieren.](https://parts-selfservice.europeanapplian-</p></div><div data-bbox=)

Reparatur- und Instandsetzungsversuche durch den Endbenutzer für Teile, die nicht in dieser Liste enthalten sind, und/oder die nicht gemäß den Anweisungen in den Benutzerhandbüchern für die Selbstreparatur oder den in der <https://parts-selfservice.europeanappliances.com> verfügbaren Anweisungen durchgeführt werden, können zu Sicherheitsproblemen führen, die nicht der Whirlpool zuzuschreiben sind, und machen die Garantie des Produkts ungültig.

Daher wird den Endnutzern dringend empfohlen, von Reparaturversuchen abzusehen, die nicht in der genannten Ersatzteilliste aufgeführt sind, und sich in solchen Fällen an autorisierte Fachreparaturbetriebe oder registrierte Fachreparaturbetriebe zu wenden. Im Gegenteil, solche Versuche können Sicherheitsprobleme verursachen und das Produkt beschädigen und in der Folge Feuer, Überschwemmungen, Stromschläge und schwere Personenschäden hervorrufen. Beispielsweise müssen die folgenden Reparaturen von autorisierten Fachwerkstätten oder registrierten Fachwerkstätten durchgeführt werden: Kompressor, Kühlkreislauf, Hauptplatine, Inverterplatine, Displayplatine usw.

Der Hersteller/Verkäufer kann in keinem Fall haftbar gemacht werden, wenn der Endverbraucher die oben genannten Punkte nicht beachtet.

Die Ersatzteilverfügbarkeit des von Ihnen gekauften Kühlschranks beträgt 10 Jahre, während dieser Zeit sind Originalersatzteile für den ordnungsgemäßen Betrieb des Kühlschranks verfügbar.

Die Mindestgarantiedauer für den von Ihnen gekauften Kühlschrank beträgt 24 Monate.

Dieses Produkt ist mit einer Lichtquelle der Energieklasse "G" ausgestattet.

Die Lichtquelle in diesem Produkt darf nur von einer professionellen Reparaturwerkstatt ausgetauscht werden.

Siehe auch

2 CLAUSE DE NON-RESPONSABILITÉ
[] 43]