

# AKR 759/1 IX

12NC: 859991551600

GTIN (EAN) code: 8003437233067

Whirlpool

SENSING THE DIFFERENCE



## Whirlpool wall mounted cooker hood - AKR 759/1 IX

This Whirlpool wall mounted Cooker Hood features: dishwasher-safe, washable aluminium grease filters. LED lights for ideal lighting. An outstanding cooker extractor fan, ensuring a fresh, grease-free cooking environment. Exclusive 6th SENSE sensor technology that dynamically adjusts energy consumption, depending on what you are cooking. High-efficiency S40HE motor.



### LED lighting

Increased energy and cost efficiency. The LED lighting system lasts 10 times longer than traditional bulbs and uses 90% less energy.



### ZenMode

Providing the ideal balance between performance and silence, Whirlpool's ZenMode ensures the hood is powerful enough to keep the air fresh and clean while making the kitchen a quieter, more enjoyable place for cooking and socialising.



### Electronic control

Effortless control. This Whirlpool Hood includes an intuitive electronic user interface, designed to provide you with the simplest, most satisfying user experience ever.



### 4 Speeds

Versatile performance. This Whirlpool Hood offers 4 speed options, giving you complete control over the extraction rate.



### Absolute Design Collection

This Whirlpool Hood is part of our Absolute Collection, featuring exquisite design and details. Enjoy both ideal functionality and outstanding elegance.



### Total annual energy consumption

Ideal performance, outstanding savings. Whirlpool Hoods are designed to provide exceptional results, while reducing energy costs.



### High efficiency motor

Efficiency first. The motor in this Whirlpool Hood is designed to provide ideal filtration, while ensuring high energy efficiency.



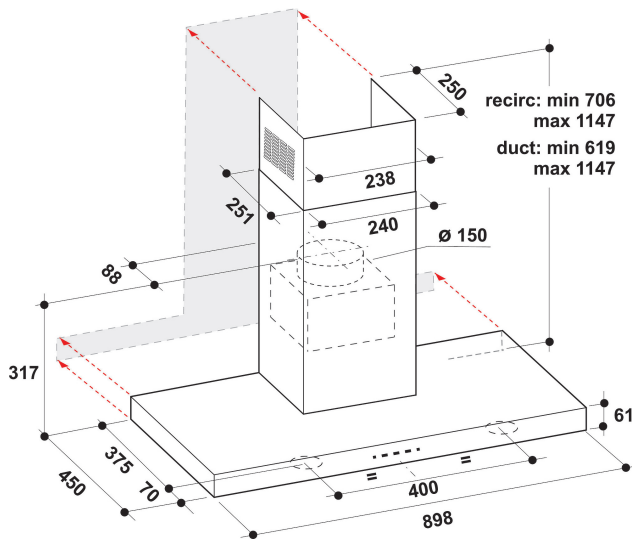
### 6th Sense Absolute

Easy interaction approach thanks to the intuitive icons on the UI.



### Carbon Filter Included

Enjoy fresh air in your kitchen, always. This Whirlpool Hood includes a carbon purifying air filter, that effectively protects your kitchen from odours and grease.



- 6TH Sense technology
- Maximum noise level 69 dBA
- Air Flow (min. - max.): 304, 581, booster 713 m<sup>3</sup>/h
- Maximum extraction rate: 581 (m<sup>3</sup>/h)
- Energy class B
- Extraction / Recirculation Rate  
%Z\_REQ\_MAX\_OUT\_EXTRACTION% / 356 m<sup>3</sup>/h
- 4 speed settings + booster
- Odour Filter
- ZenMode
- 2 LED, 5 W lamps
- 1 x 260 W motor
- Electronic Touch control
- 3 Washable aluminium filters
- Timer
- Grease Filtering Efficiency Class: C
- Lighting Efficiency Class: A

# AKR 759/1 IX

12NC: 859991551600

GTIN (EAN) code: 8003437233067

# Whirlpool

SENSING THE DIFFERENCE

## MAIN FEATURES

Product group	Hood
Colour body	Inox
Material body	Stainless steel
Colour chimney	Inox
Material chimney	Stainless steel
Typology	Wall-mounted
Installation type	Wall-mounted
Type of control	Electronic
Type of control settings	-
Decor panel options	N/A
Motor location	Integrated motor in hood chimney
Operating Mode	Convertible
Electrical connection rating (W)	265
Current (A)	1,2
Voltage (V)	220-240
Frequency (Hz)	50
Length of Electrical Supply Cord (cm)	150
Plug type	Schuko
Chimney height (mm)	580
Height of product, without chimney (mm)	60
Height of the product	619
Width of the product	898
Depth of the product	450
Minimum niche height	0
Minimum niche width	0
Niche depth	0
Net weight (kg)	14.5

## TECHNICAL FEATURES

Type of manual control devices	Touch control
Type of automatic control devices	-
Number of motors	1
Total power of the motors (W)	260
Number of speed settings: boost option availability	4
Boost presence	Yes
Maximum output air extraction (m <sup>3</sup> /h)	713
Boost position air extraction (m <sup>3</sup> /h)	713
Maximum output recirculating air (m <sup>3</sup> /h)	356
Boost position output recirculating (m <sup>3</sup> /h)	356
Light Control Type	On/Off
Number of lights	2
Type of lamps used	LED
Total power of the lamps (W)	5
Diameter of air outlet (mm)	150
No-return airflow flap	Yes
Grease filter material	Washable aluminium
Odour filter	Yes

## PERFORMANCES

Sound power at min. speed (2010/30/EU)	52
Sound power at max. speed (2010/30/EU)	69
Noise level with boost position (dB(A) re 1 pW)	0

