

IMPORTANT SAFETY INSTRUCTIONS

YOUR SAFETY AND THAT OF OTHERS IS PARAMOUNT

This manual and the appliance itself provide important safety warnings, to be read and observed at all times.


 This is the attention symbol, pertaining to safety, which alerts users to potential risks to themselves and others.

All safety warnings are preceded by the attention symbol and the following terms:

 **DANGER:** indicates a hazardous situation which, if not avoided, will cause serious injury.

 **WARNING:** Indicates a hazardous situation which, if not avoided, could cause serious injury.

All safety warnings give specific details of the potential danger/warning present and indicate how to reduce risk of injury, damage and electric shock resulting from improper use of the appliance. Carefully observe the following instructions:

- Installation and maintenance must be carried out by a qualified technician, in compliance with the manufacturer's instructions and local safety regulations. Do not repair or replace any part of the appliance unless specifically stated in the user manual.
- The appliance must be disconnected from the power supply before carrying out any installation work.
- Earthing of the appliance is compulsory. (Not possible for class II hoods identified by the symbol  on the dataplate).
- The power cable must be long enough for connecting the appliance, once fitted in its housing, to the power supply socket.
- Do not pull the power supply cable in order to unplug the appliance.
- The electrical components must not be accessible to the user after installation.
- Do not touch the appliance with any wet part of the body and do not operate it when barefoot.
- The appliance is not intended for use by persons (including children) with any physical, sensory or mental impairment, or without experience and knowledge of the appliance, unless supervised or previously instructed in its use by those responsible for their safety.
- Do not repair or replace any part of the appliance unless specifically indicated in the manual. All other maintenance services must be carried out by a specialised technician.
- Children must be supervised to ensure they do not play with the appliance.
- When drilling through the wall pay attention not to damage electric connections and/or pipes:
- Air vents must always discharge to the outside.
- The manufacturer rejects all responsibilities for any damage caused by improper use or wrong settings.
- Appropriate maintenance and cleaning ensure the good working order and the best performance of the appliance. Regularly clean all stubborn surface dirt to avoid grease build up. Remove and clean or change the filter regularly.
- Never flame cook food (flambé) under the appliance. Using free flames might cause fire.
- Failure to observe the instructions for cleaning the hood and replacing the filters may result in a fire.
- Exhaust air must not be vented through a flue used for removal of fumes produced by gas combustion appliances or other combustible materials, but must have a separate outlet. All national regulations governing extraction of fumes must be observed.
- If the hood is being used at the same time as other appliances using gas or other combustible materials, the negative pressure of the room must not exceed 4 Pa (4x 10⁻⁵ bars). For this reason ensure that the room is well ventilated.
- Do not leave frying pans unattended when frying, as the frying oil may catch fire.
- Before touching the light bulbs, ensure that they are cold.
- Do not use or leave the hood without the light bulb correctly fitted, as this may cause electric shock.
- The hood is not a worktop, therefore do not place any objects on top of it or overload it.
- During all installation and maintenance operations wear appropriate working gloves.
- This appliance is not suitable for outdoor use.
- When the hob is in use, accessible parts of the hood may become hot.

Scrapping of household appliances

- This appliance is manufactured with recyclable or reusable materials. Dispose of it in accordance with local waste disposal regulations. Before scrapping, cut off the power supply cable.
- For further information on the treatment, recovery and recycling of household electrical appliances, contact your competent local authority, the collection service for household waste or the store where you purchased the appliance.

KEEP THIS BOOKLET FOR FUTURE CONSULTATION.

INSTALLATION

After unpacking the appliance, check for any transport damage. In the event of problems, contact the dealer or your nearest After-sales Service. To prevent any damage, only remove the appliance from its polystyrene foam packaging at the time of installation.

PREPARING FOR INSTALLATION



WARNING:

this is a heavy product; the hood should only be lifted and installed by two or more people.

The minimum distance between the cooking pans on top of the cooker and the bottom of the hood must not be less than 45 cm for electric cookers and 65 cm for gas or mixed cookers.

Before installation also check the minimum distances stated in the manual of the cooker.

If the installation instructions for the cooker specify a greater distance between cooker and hood, this distance must be observed.

ELECTRICAL CONNECTION

Make sure the power voltage specified on the appliance rating plate is the same as the mains voltage.

This information may be found on the inside of the hood, under the grease filter.

Power cable replacement (type H05 VV-F) must be carried out by a qualified electrician. Contact an authorized service centre.

If the hood is fitted with an electric plug, connect the plug to a socket complying with current regulations, located in an accessible place. If no plug is fitted (direct wiring to the mains), or if the socket is not located in an accessible place, install a standardised double pole power switch that will enable complete isolation from the mains in case of category III overvoltage conditions, in accordance with installation rules.

GENERAL RECOMMENDATIONS

Before use

Remove cardboard protection pieces, protective film and adhesive labels from accessories.

Check the appliance for any transport damage.

During use

To avoid any damage do not place any weights on the appliance.


Do not expose the appliance to atmospheric agents.

SAFEGUARDING THE ENVIRONMENT

Disposal of packing

The packing material is 100% recyclable and is marked with the recycle symbol (♻️). The various parts of the packing must therefore be disposed of responsibly and in full compliance with local authority regulations governing waste disposal.

Scrapping the product

- This appliance is marked in compliance with European Directive 2002/96/EC, Waste Electrical and Electronic Equipment (WEEE).
- By ensuring this product is disposed of correctly, you will help prevent potential negative consequences for the environment and human health, which could otherwise be caused by inappropriate waste handling of this product.
- The symbol  on the product or on the accompanying documentation indicates that it should not be treated as domestic waste but must be taken to an appropriate collection centre for the recycling of electrical and electronic equipment.

TROUBLESHOOTING GUIDE

The appliance does not work:

- Check for the presence of mains electrical power and if the appliance is connected to the electrical supply.
- Turn off the appliance and restart it to see if the fault persists.

The hood's suction level is not sufficient:

- Check the suction speed and adjust as necessary:
- Check that the filters are clean:
- Check the air vents for any obstructions.

The light does not work:

- Check the light bulb and replace if necessary;
- Check that the light bulb has been correctly fitted.

AFTER-SALES SERVICE

Before calling the After-Sales Service:

1. See if you can solve the problem yourself with the help of the suggestions given in the "Troubleshooting guide".
2. Switch the appliance off and back on again it to see if the fault persists.

If after the above checks the fault still occurs, get in touch with the nearest After-sales Service.

Always specify:

- a brief description of the fault;
- the exact type and model of the appliance;
- the service number (number after the word Service on the rating plate), located on the inside of the appliance. The service number is also indicated on the guarantee booklet;
- your full address;
- your telephone number.

SERVICE 0000 000 00000



If any repairs are required, please contact an authorised After-sales Service (to guarantee that original spare parts will be used and repairs carried out correctly).

CLEANING

- ⚠ WARNING**
- **Never use steam cleaning equipment.**
 - **Disconnect the appliance from the power supply.**

IMPORTANT: do not use corrosive or abrasive detergents. If any of these products accidentally comes into contact with the appliance, clean immediately with a damp cloth.

- Clean the surfaces with a damp cloth. If it is very dirty, add a few drops of washing up detergent to the water. Finish off with a dry cloth.

IMPORTANT: do not use abrasive sponges or metallic scrapers or scourers. Over time, these can ruin the enamel surface.

- Use detergents specifically designed for cleaning the appliance and follow the manufacturer instructions.

IMPORTANT: In order to avoid product damages, do not spray cleaners directly to the control while cleaning the Hood.

IMPORTANT: clean the filters at least monthly to remove any oil or grease residuals.

MAINTENANCE

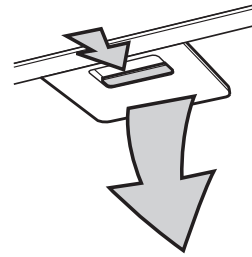
- ! IMPORTANT:**
- use protective gloves.
 - disconnect the appliance from the power supply.

GREASE FILTERS

Metal grease filters have an unlimited life and should be cleaned once a month by hand or in a dishwasher at low temperature and with a short cycle. Cleaning in a dishwasher may cause discolouring of the grease filter, but its filtering efficiency is unaffected.

Pull out the handle to remove the filter.

Wash the filter and leave it to dry, proceeding in reverse order to refit it.



LIGHTING SYSTEM

The hood lighting system is based on LED technology.

The LEDs ensure optimum lighting and last up to ten times longer than conventional lamps but with 90% less energy consumption.

Contact the after-sales service for replacement.

CARBON FILTER (filter hoods only)

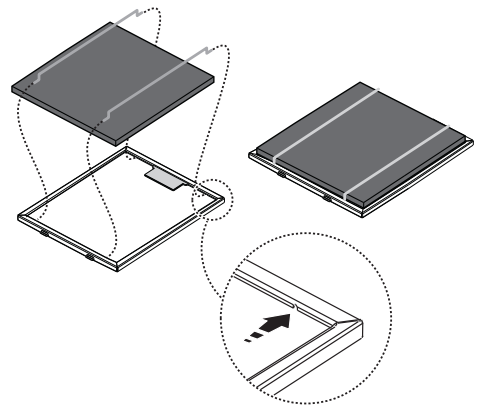
Retains any unpleasant odours produced during cooking.

Fit a new carbon filter every 4 months

Fitting or replacing the carbon filter

1. Remove the grease filter (refer to the section "grease filters").
2. Place the carbon filter on the grease filter.
3. Clamp the carbon filter with the metal catches provided, to be inserted in the holes on the frame.
4. Reinsert the grease filter complete with carbon filter.

Proceed in reverse order to refit the filter holder and grease filter.



MATERIAL SUPPLIED

Remove all the components from the packets. Check that all the components are included.

- Hood assembled with motor and lamps installed.
- Assembly template
- Filter/s
- Carbon filter/s
- Power cable
- Instruction manual
- Collar
- 1 Adapter Torx T10
- 1 Adapter Torx T20
- 2 Washer
- 4 Plugs 8 x 40 mm
- 4 Screws 5 x 45 mm
- 3 Screws 3.5 x 9.5 mm
- 2 Screws M5 x 18
- 2 Hooks
- 2 Spacers
- 1 Cable clamp
- Anti-noise tape
- 1 Gasket

INSTALLATION - PRELIMINARY ASSEMBLY INSTRUCTIONS

The hood is designed for installation and use in "**Extractor Version**" or in "**Filter Version**".

Extractor Version

IMPORTANT: The flue kit must be purchased in order to use the hood in "Extractor Version"; it must be ordered and fitted before use.

Fumes are extracted and expelled to the outside through an exhaust pipe (not supplied) fixed to the hood air outlet connector. Depending on the exhaust pipe purchased, provide for suitable fixing to the air outlet connector.

IMPORTANT: If already installed, remove the carbon filter/s.

NOTE: The hood can exhaust fumes to the outside through the upper air outlet or rear air outlet.

In the extractor version the hood is arranged for use of the upper air outlet.

To exhaust fumes using the rear air outlet it is necessary to remove the motor and rotate it as indicated in the section "INSTALLATION-ASSEMBLY INSTRUCTIONS"

Filter Version

Air is filtered through the carbon filter/s and recycled into the surrounding environment.

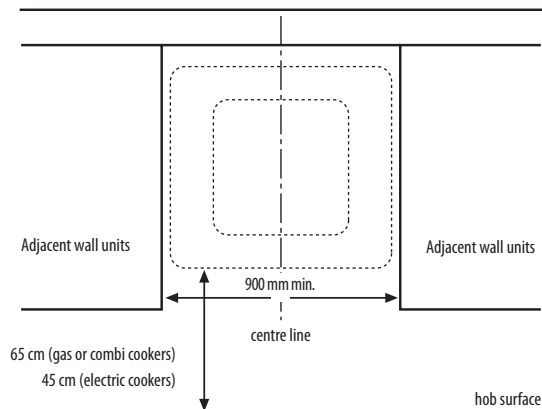
IMPORTANT: Check that air recirculation is facilitated.

The carbon filter/s must be ordered and fitted before use, if the hood does not have one/them.

Install the hood away from very dirty areas, windows, doors and heat sources.

The hood comes with all the materials necessary for installation on the majority of walls/ceilings. However, the suitability of the materials for the type of wall/ceiling must be checked by a qualified technician.

INSTALLATION DIMENSIONS



INSTALLATION - ASSEMBLY INSTRUCTIONS

The instructions below, to be carried out in the order in which they are numbered, refer to the drawings (giving the same numbering) on the last pages of this manual.

IMPORTANT: The hood comes in filter version.

The carbon filter is supplied and must be fitted after installation (as shown in fig.24).

To use the hood in extractor version it is necessary to remove the carbon filter (if already fitted) and deactivate the "Carbon filter signalling" function, as indicated in the section DESCRIPTION AND USE OF THE HOOD.

1. Mark a vertical centre line on the wall.
2. Place the drilling diagram on the wall (fixing it with adhesive tape): the vertical centre line on the drilling diagram must match the centre line drawn on the wall, and the bottom edge of the drilling diagram must match the bottom edge of the hood.

IMPORTANT: The bottom edge of the drilling diagram must be at a distance of at least 45cm (for electric hobs) or 65cm (for gas hobs).

3. Make 4 holes as shown on the drawing and remove the drilling diagram.
4. **In extractor mode only, with REAR AIR OUTLET:**
Make a hole (Ø 16cm), for the pipe, in the wall as shown in the drilling diagram.
5. Fix the 2 support hooks with 2 plugs and 2 screws near the upper holes, and insert 2 plugs in the lower holes.
6. Remove the top cover, undoing 4 screws.

Note: Keep the screws, to be reused later for fitting the cover.

7. To facilitate hooking to the wall, release and remove the hooking brackets then retighten the screws.
8. Fix the collar with 2 screws.
9. Open the perimeter hood panel and remove the grease filter.
10. **In extractor mode only, with REAR AIR OUTLET:**
Open the cable clamp on the left of the motor and remove the motor power cable.
11. **In extractor mode only, with REAR AIR OUTLET:**
Remove the motor, undoing the 8 screws, rotate it 180° and fix with the previously removed 8 screws.
Fix the collar to the rear air outlet with 2 screws and fit the seal.

IMPORTANT: Do not damage the electrical connections when rotating the motor.

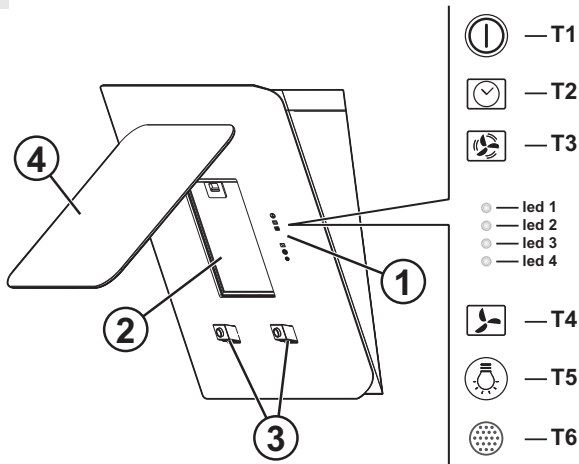
12. **In extractor mode only, with REAR AIR OUTLET:**
Insert the motor power cable in the cable clamp on the right of the motor.
Close the cable clamp.
13. Cut the anti-noise tape into 3 parts and apply it on back of the hood.
To compensate any height differences (e.g. due to tiles), fit the two spacers near the holes used for hood safety fixing.
14. Hook the hood onto the support hooks previously fixed to the wall.
15. Screw the 2 adjustment screws.
16. Adjust the hood horizontally using a level and operating on the two adjustment screws.
17. Adjust the distance between the hood and wall.
18. Secure the hood to the wall with 2 screws and 2 washers.
19. Connect the electrical cable to the hood socket.
20. Secure the cable to the cable clamp.
21. **In extractor mode only, with UPPER AIR OUTLET:**
Connect the fume exhaust pipe to the collar.
22. **In extractor mode only, with UPPER AIR OUTLET:**
Remove the pre-cut part from the top cover.
23. Fit the top cover, fixing it with the previously removed 4 screws.

Note: Insert the power cable in the special spaces.

24. **For filter mode only:**
Fit the carbon filter on the back of the grease filter, hooking it with the two rods.
25. Fit the grease filter and close the front panel.

DESCRIPTION AND USE OF THE HOOD

1. Control panel.
2. Grease filter.
3. LEDs.
4. Front panel.



Control panel

T1. Motor ON/OFF

Press key **T1** and the hood switches from OFF status to speed 1.
Press key **T1** during operation at any speed and the hood switches to OFF status.

T2. Speed timing

Speed timing is enabled by pressing key **T2**; the hood switches off at the end of the time.

Operation times are as follows:

Speed 1 - 20 minutes (LED 1 blinking)

Speed 2 - 15 minutes (LED 2 blinking)

Speed 3 - 10 minutes (LED 3 blinking)

Speed 4 - 5 minutes (LED 4 blinking)

Press key **T4** during timed operation and the hood exits timed mode and decreases the speed.

Press key **T3** and the hood exits timed mode and increases the speed.

Press key **T2** and the hood exits timed mode maintaining the set speed.

T3. Increase speed

Press key **T3** during operation and the motor speed increases from minimum to maximum.

The corresponding LEDs light up at each speed:

Speed 1 LED1

Speed 2 LED1 + LED2

Speed 3 LED1 + LED2 + LED3

Speed 4 LED1 + LED2 + LED3 + LED4

T4. Decrease speed

Press key **T4** during operation and the motor speed decreases.

T5. Lights ON/OFF

T6. Carbon filter signalling

Key **T6** lights up (red) after 160 hours of operation. This indicates that the carbon filter installed needs to be replaced.

To reset the signalling, keep key **T6** pressed for 4 seconds.

The signalling will stop and the hood will switch to OFF status.

IMPORTANT: When using the hood in extractor version it is necessary to disable carbon filter signalling.

Deactivating carbon filter signalling:

Switch the hood to OFF status and keep key **T2** pressed for 4 seconds; a beep will sound.

Activating carbon filter signalling:

Switch the hood to OFF status and keep key **T2** pressed for 4 seconds; a beep will sound and key **T2** will blink for 3 seconds.

IMPORTANT: Condensation may form on the front surface of the hood when cooking food with the hob switched on. In this case, clean the surface of the hood with a damp cloth after cooking.