

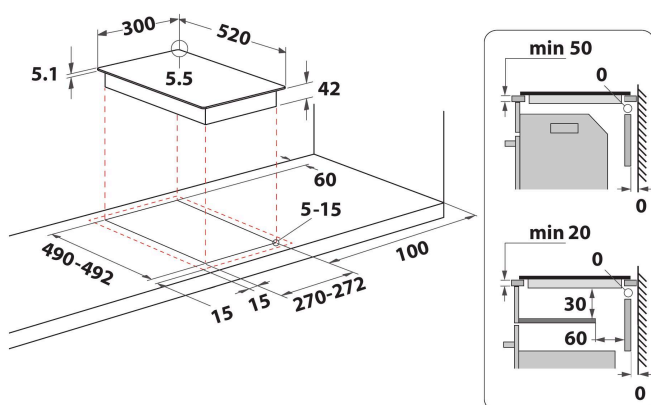
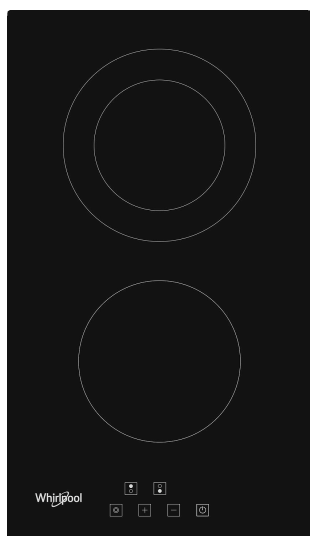
WRD 6030 B

12NC: 859991650810

GTIN (EAN) code: 8003437635922

Whirlpool

SENSING THE DIFFERENCE



Whirlpool hob - WRD 6030 B

This Whirlpool Hob features: electric power supply.



Touch control

Cooking at the press of a button. Thanks to TouchControl, the precise control of your hobs is at your finger tips. The sensor power regulation does without the 10 phases on most dials and thus allows for simpler cleaning and care for your hob.



Double zone G0

Versatile cooking experience. This Whirlpool Hob features the versatile Double Zone G0, providing 2 separate heat zones, so you can easily cook with both large and small pots and pans.



Front Controls

Complete control over your cooking. Easily accessible and genuinely intuitive, the controls are conveniently positioned on the front panel of your hob, providing a frictionless cooking experience.

- Residual heat indicator
- Child lock
- On/Off Switch
- Black Glass Hob
- 2 Radiant cooking zones
- 2 Plate on Indicator
- Power on indicator
- Supply cord included
- 2 Cooking zones: 1 Radiant 1200 W, 1 Radiant 1700 W
- Dimensions HxWxD: 47x300x520 mm
- Niche dimensions HxWxD: 150x270x490 mm
- Electrical Connection Rating: 2900 W
- Voltage: 220-240 V
- Power levels: 9
- Middle front zone: 140 mm \varnothing , 1200 W
- Middle rear zone: 180 mm \varnothing , 1700 W

WRD 6030 B

12NC: 859991650810

GTIN (EAN) code: 8003437635922

Whirlpool

SENSING THE DIFFERENCE

MAIN FEATURES

Product group	Hob
Construction type	Built-in
Type of control	Electronic
Type of control settings	-
Number of gas burners	0
Number of electric cooking zones	0
Number of electric plates	0
Number of radiant plates	2
Number of halogen plates	0
Number of induction plates	0
Number of electric warming zones	0
Location of control panel	Front
Basic surface material	Ceramic Glass
Main colour of product	Black
Electrical connection rating (W)	2900
Gas connection rating (W)	0
Gas type	N/A
Current (A)	12,6
Voltage (V)	220-240
Frequency (Hz)	50/60
Length of Electrical Supply Cord (cm)	150
Plug type	No
Gas connection	N/A
Width of the product	300
Height of the product	47
Depth of the product	520
Minimum niche height	40
Minimum niche width	270
Niche depth	490
Net weight (kg)	4.4
Automatic programmes	No

TECHNICAL FEATURES

Power on indicator	Yes
Number of indicators	2
Type of regulation	Stepless energy regulated
Type of lid	Without
Residual heat indicator	Central
Main on/off switch	Yes
Safety device	-
Timer	No

PERFORMANCES

Energy input	Electric
--------------	----------