

DAILY REFERENCE GUIDE



THANK YOU FOR BUYING A WHIRLPOOL PRODUCT.
In order to receive a more complete assistance, please register your appliance on: www.whirlpool.eu/register

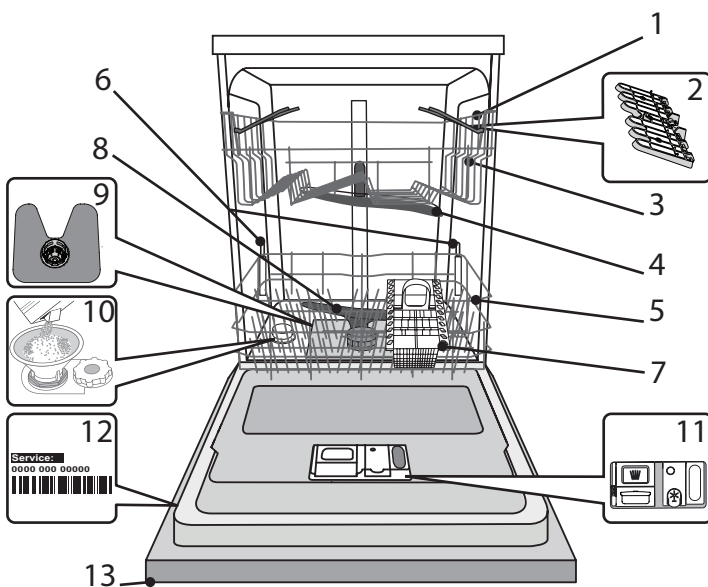


You can download the Safety Instructions and the User Manual, by visiting our website docs.whirlpool.eu and following the Instructions on the back of this booklet.

Before using the appliance carefully read Safety Instructions guide.

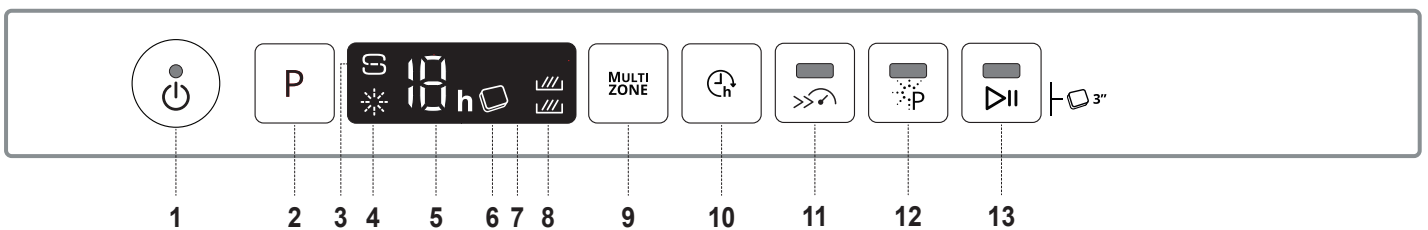
PRODUCT DESCRIPTION

APPLIANCE



1. Upper rack
2. Foldable flaps
3. Upper rack height adjuster
4. Upper spray arm
5. Lower rack
6. Power Clean® support
7. Cutlery basket
8. Lower spray arm
9. Filter Assembly
10. Salt reservoir
11. Detergent and Rinse Aid dispensers
12. Rating plate
13. Control panel

CONTROL PANEL



1. ON-OFF/Reset button with indicator light
2. Program selection button
3. Salt refill indicator light
4. Rinse Aid refill indicator light
5. Program number and delay time indicator
6. Tablet indicator light
7. Display
8. Multizone indicator lights
9. Multizone button
10. Delay button
11. Turbo button with indicator light
12. Power Clean® button with indicator light
13. START/Pause button with indicator light / Tab

FIRST TIME USE

SALT, RINSE AID AND DETERGENT


ADVICE REGARDING THE FIRST TIME USE

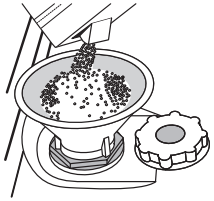
After installation, remove the stoppers from the racks and the retaining elastic elements from the upper rack.

FILLING THE SALT RESERVOIR

The use of salt prevents the formation of LIMESCALE on the dishes and on the machine's functional components.

- It is mandatory that **THE SALT RESERVOIR NEVER BE EMPTY.**
- It is important to set the water hardness.

The salt reservoir is located in the lower part of the dishwasher (see *PRODUCT DESCRIPTION*) and must be filled when the **SALT REFILL indicator light**  in the control panel is lit.



1. Remove the lower rack and unscrew the reservoir cap (anticlockwise).
2. **Only the first time you do this: fill the salt reservoir with water.**
3. Position the funnel (see figure) and fill the salt reservoir right up to its edge (approximately 1 kg); it is not unusual for a little water to leak out.
4. Remove the funnel and wipe any salt residue away from the opening.

Make sure the cap is screwed on tightly, so that no detergent can get into the container during the wash program (this could damage the water softener beyond repair).

Whenever you need to add salt, it is mandatory to complete the procedure before the beginning of the washing cycle to avoid corrosion.

SETTING THE WATER HARDNESS

To allow the water softener to work in a perfect way, it is essential that the water hardness setting is based on the actual water hardness in your house. This information can be obtained from your local water supplier.

The factory sets the default value for the water hardness.

- Switch on the appliance by pressing the **ON/OFF** button.
- Switch off the appliance by pressing the **ON/OFF** button.
- Hold down button **P** for 5 seconds, until you hear a beep.
- Switch on the appliance by pressing the **ON/OFF** button.
- The current selection level number and the salt indicator light both flash.
- Press button **P** to select the desired hardness level (see *WATER HARDNESS TABLE*).

Water Hardness Table				
Level		°dH German degrees	°fH French degrees	°Clark English degrees
1	Soft	0 - 6	0 - 10	0 - 7
2	Medium	7 - 11	11 - 20	8 - 14
3	Average	12 - 16	21 - 29	15 - 20
4	Hard	17 - 34	30 - 60	21 - 42
5	Very hard	35 - 50	61 - 90	43 - 62

- Switch off the appliance by pressing the **ON/OFF** button.

Setting is complete!

As soon as this procedure is complete, run a program without loading.


Only use salt that has been specifically designed for dishwashers.

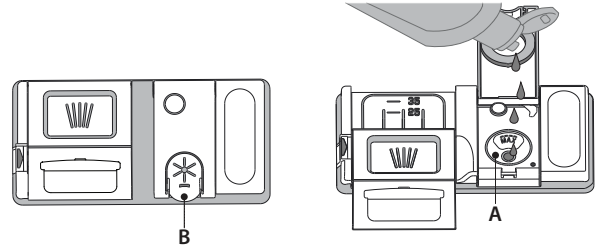
After the salt has been poured into the machine, the SALT REFILL indicator light switches off.

If the salt container is not filled, the water softener and the heating element may be damaged as a result of limescale accumulation.

Using of Salt is recommended with any type of dishwasher detergent.

FILLING THE RINSE AID DISPENSER

Rinse aid makes dish DRYING easier. The rinse aid dispenser **A** should be filled when the **RINSE AID REFILL indicator light**  in the control panel is lit.



1. Open the dispenser **B** by pressing and pulling up the tab on the lid.
 2. Pour in the rinse aid (max.110 ml), making sure it does not overflow from the dispenser. If this happens, clean the spill immediately with a dry cloth.
 3. Press the lid down until you hear a click to close it.
- NEVER pour the rinse aid directly into the appliance tub.**

ADJUSTING THE DOSAGE OF RINSE AID

If you are not completely satisfied with the drying results, you can adjust the quantity of rinse aid used.

- Switch the dishwasher on using the **ON/OFF** button.
- Switch it off using the **ON/OFF** button.
- Press button **P** three times - a beep will be heard.
- Switch it on using the **ON/OFF** button.
- The current selection level number and rinse aid indicator light flash.
- Press button **P** to select the level of rinse aid quantity to be supplied.
- Switch it off using the **ON/OFF** button

Setting is complete!

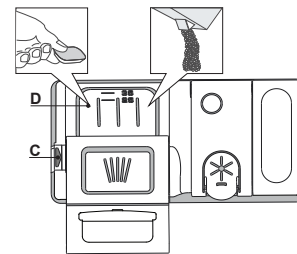
If the rinse aid level is set to ZERO (ECO), no rinse aid will be supplied. The LOW RINSE AID indicator light will not be lit if you run out of rinse aid.

A maximum of 5 levels can be set according to the dishwasher model. The factory setting is specific to the model, please follow instruction above to check this for your machine.

- If you see bluish streaks on the dishes, set a low number (1-2).
- If there are drops of water or limescale marks on the dishes, set a mid-range number (3-4).

FILLING THE DETERGENT DISPENSER

To open the detergent dispenser use the opening device C. Introduce the detergent into the dry dispenser D only. Place the amount of detergent for pre-washing directly inside the tub.



1. When measuring out the detergent refer to the mentioned earlier information to add the proper quantity. Inside the dispenser **D** there are indications to help the detergent dosing.
2. Remove detergent residues from the edges of the dispenser and close the cover until it clicks.
3. Close the lid of the detergent dispenser by pulling it up until the closing device is secured in place.

The detergent dispenser automatically opens up at the right time according to the program.

If all-in-one detergents are used, we recommend using the **TABLET** button, because it adjusts the program so that the best washing and drying results are always achieved.

Usage of detergent not designed for dishwashers may cause malfunction or damage to the appliance.

PROGRAMS TABLE

Program	Drying phase	Natural-Dry	Available options ^{*)}	Duration of wash program (h:min) ^{**)}	Water consumption (litres/cycle)	Energy consumption (kWh/cycle)	
1. Eco	ECO 50°	✓	✓		3:10	9.5	0.75
2. 6 th Sense®	50-60°	✓	✓	MULTI ZONE	1:25 - 3:00	7.0 - 14.0	0.90 - 1.40
3. Intensive	65°	✓	✓	MULTI ZONE	2:50	14.0	1.50
4. Fast Wash&Dry	50°	✓	✓	MULTI ZONE	1:25	11.5	1.10
5. Crystals	45°	✓	✓	MULTI ZONE	1:40	11.5	1.20
6. Rapid 30'	50°	-	-	MULTI ZONE	0:30	9.0	0.50
7. Silent	50°	✓	✓		3:30	15.0	1.15
8. Sanitizing	65°	✓	-		1:40	10.0	1.30
9. Prewash	-	-	-	MULTI ZONE	0:12	4.5	0.01
10. Self-Clean	65°	-	-		0:50	8.0	0.85

ECO program data is measured under laboratory conditions according to European Standard EN 60436:2020.

Note for Test Laboratories:

For information on comparative EN testing conditions, please send an email to the following address: dw_test_support@whirlpool.com

Pre-treatment of the dishes is not needed before any of the programs.

*) Not all options can be used simultaneously.

***) Values given for programs other than the program Eco are indicative only. The actual time may vary depending on many factors such as temperature and pressure of the incoming water, room temperature, amount of detergent, quantity and type of load, load balancing, additional selected options and sensor calibration. The sensor calibration can increase program duration up to 20 min.

PROGRAMS DESCRIPTION

Instructions on wash cycle selection.

1 ECO

Eco programme is suitable to clean normally soiled tableware, that for this use, it is the most efficient programme in terms of its combined energy and water consumption, and that it is used to assess compliance with the EU Ecodesign legislation.

2 6th SENSE®

For normally soiled dishes with dried food residues. Senses the level of soiling on the dishes and adjusts the program accordingly. When the sensor is detecting the soil level an animation appears in the display and the cycle duration is updated.

3 INTENSIVE

Program recommended for heavily soiled crockery, especially suitable for pans and saucepans (not to be used for delicate items).

4 FAST WASH&DRY

Normally soiled crockery. Everyday cycle, that ensures optimal cleaning and drying performance in shorter time.

5 CRYSTALS

Program for delicate items, which are more sensitive to high temperatures, for example glasses and cups.

6 RAPID 30'

Program to be used for half load of lightly-soiled dishes with no dried food residues. Does not include drying phase.

7 SILENT

Suitable for night-time operation of the appliance. Ensures optimal cleaning and drying performance with the lowest noise emission.

8 SANITIZING

Normally or heavily soiled crockery, with additional antibacterial wash. Can be used to perform maintenance of the dishwasher.

9 PREWASH

Use to refresh crockery planned to be washed later. No detergent to be used with this program.

10 SELF-CLEAN

Program to be used to perform maintenance of the dishwasher, to be carried out only when the dishwasher is EMPTY using specific detergents designed for dishwasher maintenance

Notes:

Please note that cycle *Rapid 30'* is dedicated for lightly soiled dishes.

OPTIONS AND FUNCTIONS

OPTIONS can be selected directly by pressing the corresponding button (see CONTROL PANEL).

If an option is not compatible with the selected program see PROGRAMS TABLE, the corresponding LED flashes rapidly 3 times and beeps will sound. The option will not be enabled.

MULTI ZONE MULTIZONE

If there are not many dishes to be washed, a half loading may be used in order to save water, electricity and detergent. Select the program and then press the MULTIZONE button: the symbol of the chosen rack will appear on the display. By default the appliance washes dishes in all racks.



To wash only the specific rack, press this button repeatedly: shown on the display (only lower rack)



shown on the display (only upper rack)



shown on the display (option is OFF and the appliance will wash dishes in all racks).

Remember to load the upper or lower rack only, and to reduce the amount of detergent accordingly. If upper rack is removed, please apply detergent directly to tub instead of detergent dispenser.



DELAY

The start time of the program may be delayed for a period of time between **1** and **12** hours.

1. Press the DELAY button: the corresponding «h» symbol appears on the display; each time you press the button, the time (1h, 2h, etc. up to max. 12h) from the start of the selected wash cycle will be increased.
2. Select the wash program, press the START/PAUSE button and within 4 seconds close the door: the timer will begin counting down.
3. Once this time has elapsed, the indicator light «h» switches off and the wash cycle begins.

To adjust the delay time and select a shorter period of time, press the DELAY button. To cancel it, press the button repeatedly until the selected delayed start indicator light «h» switches off.

The DELAY function cannot be set once a wash cycle has been started.



TURBO

This option can be used to reduce the duration of the main programs while maintaining the same washing and drying performance levels.

After selecting the program, press the TURBO button and the indicator light will switch on. To deselect the option, press the same button again.



POWER CLEAN®

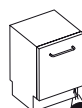
Thanks to the additional power jets this option provides a more intensive and powerful wash in the lower rack, in the specific area. This option is recommended for washing pots and casseroles. Press this button to activate POWER CLEAN (the indicator lights up).



TABLET (Tab)

This setting allows you to optimize the performance of the program according to the type of detergent used. Press the START/PAUSE button for 3 seconds (the corresponding symbol will light up) if you use combined detergents in tablet form (rinse aid, salt and detergent in 1 dose).

If you use powder or liquid detergent, this option should be off.



OPERATION INDICATOR

A LED light projected on the floor indicates that the dishwasher is working. One of the following operating modes can be selected:

- a) Disabled function.
- b) When the cycle starts the light goes on for few seconds, stays off during the cycle and flashes at the end of the cycle.
- c) The light stays on during the cycle and flashes at the end of the cycle (default mode).

If the delayed start was set, the light goes on either for the first few seconds or the entire duration of the countdown, based on whether mode b) or c) was set.

The light goes off every time the door is opened. To select the mode you prefer, switch on the machine, hold down button **P** until one of the three letters appears on the display, press button **P** until you reach the desired letter (or mode), hold down button **P** to confirm the selection.

Note: If NaturalDry is active and it opens the door, then Operation Indicator will not flash at the end of cycle.

NaturalDry

NaturalDry is a convection drying system which automatically opens the door during/after drying phase to ensure exceptional drying performance every day. Door opens at the temperature that is safe to your kitchen furniture, thus door will not be opened when the option of TURBO is on.

As additional steam protection, special designed protection foil is added together with the dishwasher. To see how to mount protection foil please refer to (INSTALLATION GUIDE).

NaturalDry functionality could be disabled by the user as follows:

1. Go to the Dishwasher software menu pressing and holding **P** button (6 sec).
2. You are currently in Light Control Menu (please refer to OPERATION INDICATOR description), if you don't want to change anything please press and hold **P** button (until one of the two letters appears on the display).
3. You switched to NaturalDry Control Menu, you could change status of NaturalDry functionality by pressing **P** button:

E – enabled **d** – disabled

To confirm the change and exit from the Control Menu please press and hold **P** button (3 sec).

DAGLIG REFERENCEOVERSIGT



TAK FORDI DU HAR KØBT ET WHIRLPOOL-PRODUKT.
For at modtage en mere komplet assistance, bedes du registrere dit apparat på www.whirlpool.eu/register

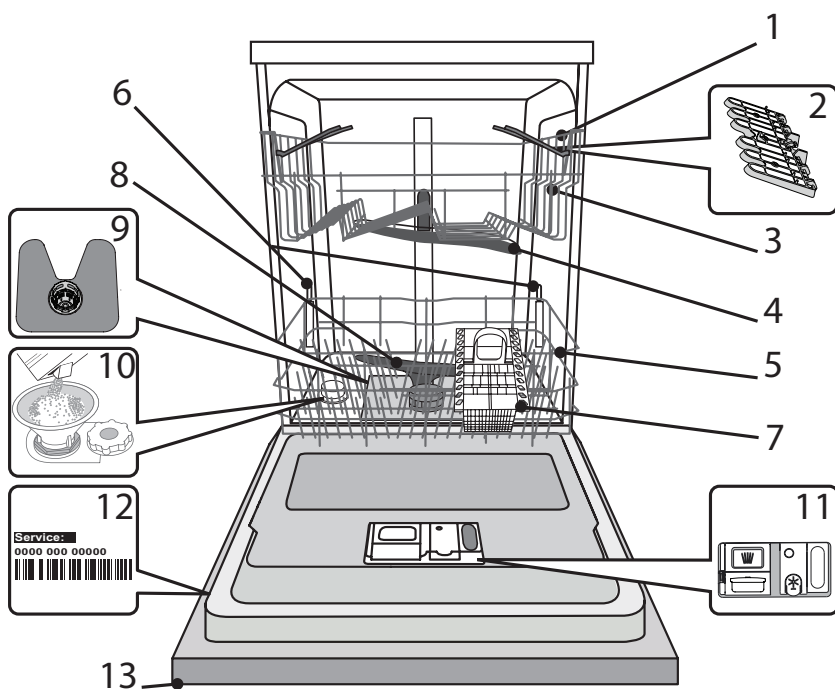


Du kan downloade sikkerhedsanvisningerne og brug-svejledningen, ved at besøge vores docs.whirlpool.eu og anvisningerne på bagsiden af denne pjece.

Læs sikkerhedsanvisningerne med omhu, inden apparatet tages i brug.

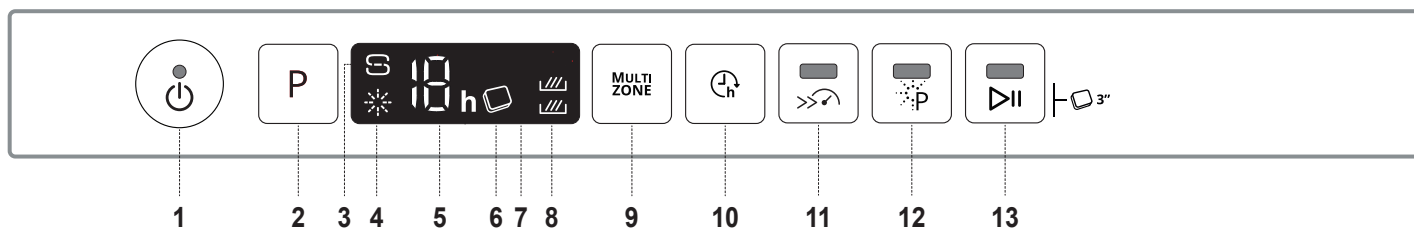
PRODUKTBEKRIVELSE

APPARAT



1. Øverste kurv
2. Vipbare hylder
3. Højdejustering af øverste kurv
4. Øverste spulearm
5. Nederste kurv
6. Power Clean® støtte
7. Bestikkurv
8. Nederste spulearm
9. Filterenhed
10. Saltbeholder
11. Doseringsrum til opvaskemiddel og afspændingsmiddel
12. Typeplade
13. Betjeningspanel

BETJENINGSPANEL



1. Tænd/sluk-/Nulstil-knap med kontrollampe
2. Programvælgerknap
3. Kontrollampe for påfyldning af salt
4. Kontrollampe for påfyldning af afspændingsmiddel
5. Programnummer og forsinkelsestid indikator
6. Kontrollampen Tablet (Tab)
7. Display
8. Kontrollampe for Multizone
9. Multizone-knap
10. Knap til valg af udskudt start
11. Knappen Turbo med kontrollampe
12. Knappen Power Clean® med kontrollampe
13. Knappen START/Pause med kontrollampe/ Tablet (Tab)

FØRSTEGANGSBRUG SALT, AFSPÆNDINGSMIDDEL OG VASKEMIDDEL

GODE RÅD VEDRØRENDE FØRSTEGANGSBRUG

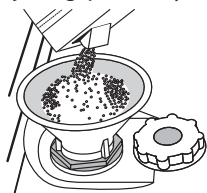
Når maskinen er installeret, fjernes stopanordningerne fra kurvene og plastholderne fra den øverste kurv.

PÅFYLDNING AF SALT

Når der bruges salt, forhindres dannelse af KALK på servicet og maskinens komponenter.

- Det er obligatorisk at **SALTBEHOLDEREN ALDRIG ER TOM**.
- Det er vigtigt, at vandets hårdhedsgrad indstilles.

Saltbeholderen sidder nederst i opvaskemaskinen (se *PRODUKTBESKRIVELSE*) og skal fyldes, når **indikatorlampen PÅFYLD SALT** på betjeningspanelet lyser



1. Tag den nederste kurv ud, og skru låget af beholderen (mod uret).
2. **Følgende skal kun gøres første gang: Fyld saltbeholderen med vand.**
3. Sæt tragten i (se billedet), og fyld saltbeholderen helt op til kanten (ca. 1 kg). Det er normalt, at der løber lidt vand ud.
4. Fjern tragten, og aftør eventuel salt omkring åbningen.

Kontroller, at låget er skuet godt fast, så der ikke kan komme opvaskemiddel i beholderen under vaskeprogrammet (hvilket kan forårsage uoprettelig skade på blødgøringsanlægget).

Hvis der er behov for at fylde salt på, skal denne procedure foretages før starten af en vaskecyklus, for at undgå korrosion.

INDSTILLING AF VANDETS HÅRDHEDSGRAD

For at blødgøringsanlægget kan fungere perfekt, er det vigtigt, at indstillingen af vandets hårdhedsgrad er baseret på den faktiske hårdhedsgrad for vandet i din bolig. Du kan få hårdhedsgraden oplyst hos dit lokale vandværk.

Standardværdien for vandets hårdhed indstilles fra fabrikken.

- Tænd for maskinen ved at trykke på **TÆND/SLUK**-knappen.
- Sluk for maskinen ved at trykke på **TÆND/SLUK**-knappen.
- Hold knappen **P** trykket i 5 sekunder, indtil der lyder et bip.
- Tænd for maskinen ved at trykke på **TÆND/SLUK**-knappen.
- Nummeret for det valgte niveau og kontrollampen for salt blinker.
- Tryk på knappen **P** for at vælge den ønskede hårdhedsgrad (se *TABEL OVER VANDHÅRDHEDSGRADER*).

Niveau	°dH Tysk hårdhed	°fH Fransk hårdhed	°Clark Engelsk hårdhed	
1	Blødt	0 - 6	0 - 10	0 - 7
2	Mellem	7 - 11	11 - 20	8 - 14
3	Gennemsnitligt	12 - 16	21 - 29	15 - 20
4	Hårdt	17 - 34	30 - 60	21 - 42
5	Meget hårdt	35 - 50	61 - 90	43 - 62

- Sluk for maskinen ved at trykke på **TÆND/SLUK**-knappen.

Indstillingen er nu udført!

Kør umiddelbart herefter et program med tom maskine.

Der må kun anvendes salt, der er beregnet til opvaskemaskiner.

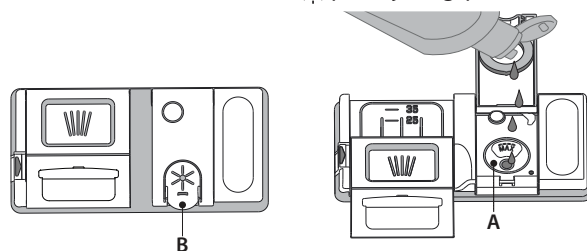
Når der er fyldt salt på maskinen, slukkes indikatorlampen for påfyldning af salt.

Hvis saltbeholderen ikke påfyldes salt, kan det medføre skader på blødgøringsanlægget og varmeelementet på grund af kalkaflejringer.

Brug af Salt anbefales til enhver type opvaskemiddel til opvaskemaskiner.

PÅFYLDNING AF AFSPÆNDINGSMIDDEL

Afspændingsmiddel fremmer TØRRINGEN af servicet. Afspændingsmidlets doseringsrum **A** skal fyldes op, når **kontrollampen for PÅFYLDNING AF AFSPÆNDINGSMIDDEL** på betjeningspanelet er tændt.



1. Åbn rummet **B** ved at trykke og trække dækslet opad.
2. Fyld forsigtigt afspændingsmidlet i til maksimumsreferencen (110 ml) i påfyldningsområdet - og undgå at spilde. Hvis det sker, skal det spildte afspændingsmiddel straks tørres op med en klud.
3. Tryk låget nedad til der lyder et klik, for at lukke det.

Der må ALDRIG hældes afspændingsmiddel direkte ind i maskinen.

INDSTILLING AF DOSERINGEN AF AFSPÆNDINGSMIDDEL

Hvis du ikke er helt tilfreds med tørreresultatet, kan du indstille mængden af afspændingsmiddel.

- Tænd for opvaskemaskinen med knappen **TÆND/SLUK**.
- Sluk den vha. knappen **TÆND/SLUK**.
- Tryk tre gange på knappen **P** - der vil lyde et bip.
- Tænd den vha. knappen **TÆND/SLUK**.
- Programkontrollampen for det valgte niveau blinker.
- Tryk på knappen **P**, for at vælge den mængde afspændingsmiddel, der skal leveres.
- Sluk den vha. knappen **TÆND/SLUK**.

Indstillingen er nu udført!

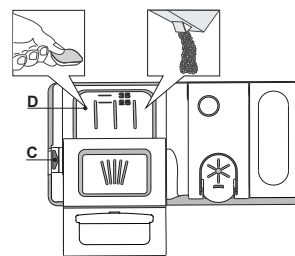
Hvis afspændingsmiddel mængden er indstillet på NUL (ØKO), leveres der intet afspændingsmiddel. Kontrollampen LAVT AFSPÆNDINGSMIDDELNIVEAU vil ikke tænde, hvis afspændingsmidlet opbruges.

Der kan maksimalt indstilles 5 niveauer i funktion af opvaskemaskinens model. Fabriksindstillingen er specifik for modellen. Følg venligst de ovenstående anvisninger, for at tjekke dette for din maskine.

- Hvis der er blålige striber på servicet, skal du vælge et lavt tal (1-2).
- Hvis der er vanddråber eller kalkpletter på servicet, skal du vælge et højt tal (3-4).

PÅFYLDNING AF OPVASKEMIDDEL

Anvend åbningsanordningen **C** til at åbne doseringsrummet til opvaskemiddel. Fyld kun opvaskemidlet i det tomme doseringsrum **D**. Fyld opvaskemidlet til forvasken direkte i maskinen.



1. Se de tidligere nævnte informationer om den korrekte mængde opvaskemiddel. Inde i doseringsrummet **D** er der markeringer som hjælp til dosering af opvaskemiddel.
2. Fjern eventuelle rester af opvaskemiddel fra doseringsrummets kanter og luk dækslet, til det siger klik.
3. Luk låget på opvaskemidlets doseringsrum ved at trække det opad, indtil lukkeanordningen er anbragt korrekt.

Opvaskemiddelrummet åbnes automatisk på det rigtige tidspunkt i programmet.

Hvis de anvendes alt-i-ét-opvaskemiddel, anbefaler vi, at du bruger knappen **TABLET**. Så justeres programmet, så du altid opnår det bedste vaske- og tørreresultat.

Brug af opvaskemiddel, som ikke er fremstillet til opvaskemaskiner, kan medføre fejlfunktion eller beskadigelse af apparatet.

PROGRAMTABEL

Program	Tørings-fase	NaturalDry	Mulige indstillinger ^{*)}	Vaskeprogrammets varighed (t:min) ^{**)}	Vandforbrug (l/program)	Strømforbrug (kWh/program)
1. Øko ECO 50°	✓	✓		3:10	9,5	0,75
2. 6 th Sense® 50-60°	✓	✓	MULTI ZONE >>	1:25 - 3:00	7,0 - 14,0	0,90 - 1,40
3. Intensiv 65°	✓	✓	MULTI ZONE >>	2:50	14,0	1,50
4. Hurtig Vask&Tør 50°	✓	✓	MULTI ZONE	1:25	11,5	1,10
5. Krystal 45°	✓	✓	MULTI ZONE	1:40	11,5	1,20
6. Hurtigprogram 30' 50°	-	-	MULTI ZONE	0:30	9,0	0,50
7. Stille 50°	✓	✓		3:30	15,0	1,15
8. Desinficering 65°	✓	-		1:40	10,0	1,30
9. Forvask -	-	-	MULTI ZONE	0:12	4,5	0,01
10. Selv-rens 65°	-	-		0:50	8,0	0,85

Data for Øko-programmet er målt under laboratorieforhold iht. europæisk standard EN 60436:2020.

Note til testlaboratorierne: For oplysninger om betingelserne for en EN-testsammenligning, rettes henvendelse til: dw_test_support@whirlpool.com
Ingen af de forskellige programmer kræver forbehandling af servicen.

*) Ikke alle indstillinger kan anvendes samtidigt.

**) Værdierne for de andre programmer end Øko er kun vejledende. Den faktiske tid kan variere afhængig af mange faktorer, eksempelvis temperatur og tryk på vandtilførslen, rumtemperaturen, mængden af opvaskemiddel, mængden og typen af service, servicets afbalancering, øvrige valgte indstillinger og sensorens kalibrering. Sensorens kalibrering kan forøge programmets varighed med op til 20 min.

PROGRAMBESKRIVELSER

Instruktioner vedrørende programvalg.

1 ØKO

Øko programmet er egnet til vask af almindeligt snavset service og er det mest effektive program til dette formål, hvad angår kombinationen af energi- og vandforbrug, og dette anvendes til at vurdere overensstemmelsen med EU lovgivningen for miljøvenligt design.

2 6th SENSE®

Til normalt tilsmudset service med indtørrede madrester. Registrerer graden af tilsmudsning på servicet og justerer programmet i overensstemmelse hermed. Når sensoren registrerer tilsmudsningsgraden, vises en animation i displayet, og programmets varighed opdateres.

3 INTENSIV

Dette program anbefales til meget snavset service og er især velegnet til pander og gryder (må ikke bruges til sart service).

4 HURTIG VASK&TØR

Normalt tilsmudset service. Hverdagscyklus som sikrer optimal rengøring og tørring på kortere tid.

5 KRYSTAL

Program til sart service, som er mere følsomt over for høje temperaturer, f.eks. glas og kopper.

6 HURTIGPROGRAM 30'

Program til halv vask af let tilsmudset service uden indtørrede madrester. Har ingen tørrefase.

7 STILLE

Velegnet, når opvaskemaskinen skal køre om natten. Sikrer optimal rengøring og tørring ved den laveste støjemission.

8 DESINFICERING

Normalt eller stærkt tilsmudset service med tilføjet antibakteriel vask. Dette program kan anvendes til at holde opvaskemaskinen ren.

9 FORVASK

Bruges til at opfriske service, der skal vaskes senere. Der skal ikke benyttes opvaskemiddel til dette program.

10 SELV-RENS

Program til vedligeholdelse af opvaskemaskinen, som kun må afvikles for TOM opvaskemaskine med specifikt fremstillede midler til vedligeholdelse af opvaskemaskiner.

Bemærk:

Vær venligst opmærksom på, at cyklusen *Hurtigprogram 30'* er beregnet til let snavsede tallerkner.

INDSTILLINGER OG FUNKTIONER

INDSTILLINGER kan vælges direkte ved at trykke på den pågældende knap (se *BETJENINGSPANEL*).

Hvis en indstilling ikke kan anvendes sammen med det valgte program (se *PROGRAMTABELLEN*), blinker den tilhørende indikator hurtigt 3 gange og bipper. Indstillingen aktiveres ikke.

MULTI ZONE MULTIZONE

Hvis der kun skal vaskes en lille mængde service, kan maskinen køres på programmet for halvt fyldt maskine, for at spare vand, strøm og opvaskemiddel.

Vælg programmet, og tryk på knappen MULTIZONE: den valgte kurvs symbol vises på displayet. Som default vasker apparatet service i alle kurvene.

Tryk flere gange på denne knap, for kun at vaske i en bestemt kurv:



vist på displayet (kun nedre kurv)



vist på displayet (kun øvre kurv)



vist på displayet (ekstrafunktionen er OFF og apparatet vasker servicet i alle kurvene).

Husk kun at stille service i den øverste eller nederste kurv og at reducere mængden af opvaskemiddel tilsvarende.

Fyld opvaskemidlet direkte i karret i stedet for i sæberummet hvis den øverste kurv tages ud.



TABLET (Tab)

Med denne indstilling kan du optimere programmets ydeevne i forhold til det opvaskemiddel, der anvendes. Tryk på START/pauseknappen i 3 sekunder (det tilsvarende symbol tænder) hvis der anvendes en kombination af opvaskemiddel i tabletform (afspændingsmiddel, salt og opvaskemiddel i 1 dosis).

Hvis du bruger opvaskemiddel i pulver- eller væskeform skal denne valgmulighed fravælges.



FUNKTIONSINDIKATOR

En lysstråle på gulvet fra en lysdiode angiver at opvaskemaskinen kører. En af følgende driftstilstande kan vælges:

- Deaktiveret funktion.
- Når cyklussen starter tændes lampen i nogle få sekunder, hvorefter den slukkes, mens cyklussen kører, og blinker, når cyklussen er slut.
- Lampen lyser, mens cyklussen kører, og blinker, når cyklussen er slut (standardtilstand).

Hvis Udskudt start er valgt, tændes lampen enten i de første sekunder eller under hele nedtællingen, afhængig af om b) eller c) er valgt.

Lampen slukkes, hver gang lågen åbnes. Vælg den ønskede tilstand ved at tænde for maskinen, holde knappen **P** inde, til et af de tre bogstaver vises på displayet, trykke på knappen **P**, til det ønskede bogstav (eller tilstand) vises, og holde knappen **P** inde for at bekræfte valget.

Bemærk: Hvis NaturalDry er aktiv og åbner lågen, så vil Funktionsindikatoren ikke blinke ved cyklussens afslutning.

NaturalDry

NaturalDry er et tørresystem med varmluft, som automatisk åbner lågen under/efter tørrefasen, for at sikre en exceptionel tørring hver dag. Lågen åbnes ved en temperatur, som ikke udretter skade på dine køkkenelementer, så lågen vil derfor ikke blive åbnet, hvis funktionerne TURBO er tændt.

Som en yderligere beskyttelse mod dampen er opvaskemaskinen blevet udstyret med en specialdesignet beskyttelsesfolie.

Oplysningerne om hvordan beskyttelsesfolien skal monteres findes i INSTALLATIONSVEJLEDNINGEN.

NaturalDry funktionen kan inaktiveres af bruger som følger:

- Tag adgang til opvaskemaskinens softwaremenu ved at trykke og holde knappen **P** trykket (6 sekunder).
- Du er nu i menuen Light Control (se venligst beskrivelsen FUNKTIONSINDIKATOR), og tryk og hold knappen **P** trykket (indtil et af de to bogstaver vises på displayet), hvis du ikke vil ændre noget.
- Nu åbnes menuen NaturalDry Control hvor du kan ændre NaturalDry funktionens status ved at trykke på knappen **P**:

E – aktiveret **d** – inaktiveret

Tryk og hold knappen **P** trykket (3 sekunder) for at bekræfte ændringen og forlade kontrolmenuen.



UDSKUDET START

Programmets starttidspunkt kan udskydes med mellem **1** og **12** timer.

- Tryk på knappen Udskudt start: Det tilsvarende symbol „h” vises på displayet. Hver gang du trykker på knappen, forlænges tiden (1t, 2t osv. op til maks. 12t), til det valgte program starter.
- Vælg vaskeprogrammet, tryk på START/pauseknappen, og luk lågen inden for 4 sekunder: Timeren betynder at tælle ned.
- Når den indstillede tid er gået, slukkes indikatorens lys „h”, og programmet starter.

Tiden til start kan indstilles, og en kortere periode kan vælges, ved at trykke på knappen Udskudt start. Tryk flere gange på knappen, indtil kontrollampen for udskudt start „h” slukkes, for at annullere.

Funktionen UDSKUDET START kan ikke indstilles, efter et program er blevet startet.



TURBO

Denne indstilling kan bruges til at reducere hovedprogrammernes varighed, samtidig med at vaske- og tørreresultatet bevares. Vælg et program, og tryk derefter på knappen Turbo, hvorefter indikatorlampen tændes. Tryk på den samme knap igen for at annullere indstillingen.



POWER CLEAN®

Takket være de ekstra vanddyser giver denne funktion en mere intensiv og kraftig opvask i den nederste kurv, i dette specielle område. Denne funktion anbefales til opvask af kogegrej. Tryk på denne knap for at aktivere POWER CLEAN® (kontrollampen tænder).

BEDIENUNGSANLEITUNG GUIDE



DANKE, DASS SIE SICH FÜR EIN WHIRLPOOL PRODUKT ENTSCHEIDEN HABEN. Für eine umfassendere Unterstützung melden Sie Ihr Gerät bitte an unter: www.whirlpool.eu/register

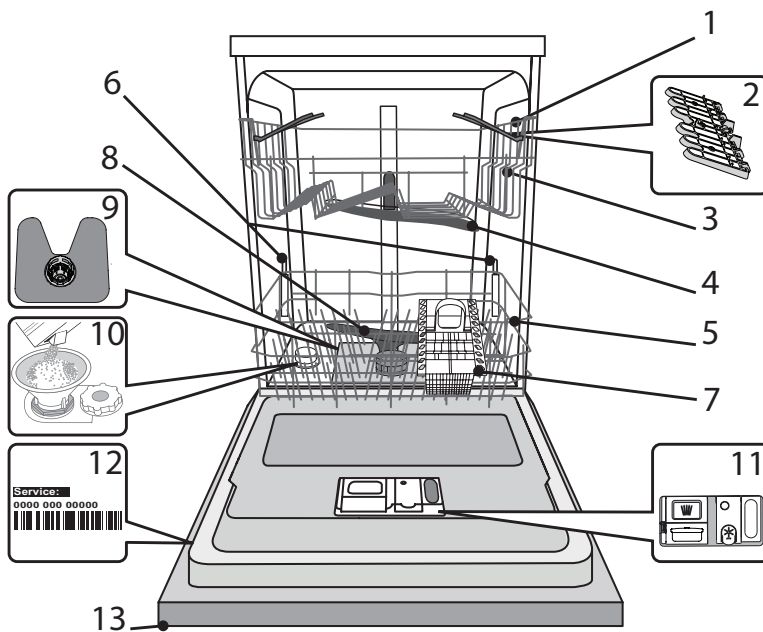


Um die Sicherheitshinweise und die Bedienungsanleitung, herunterzuladen, besuchen Sie unsere Website docs.whirlpool.eu und befolgen Sie die Anweisungen auf der Rückseite dieser Broschüre.

Lesen Sie vor Gebrauch des Geräts die Sicherheitshinweise aufmerksam durch.

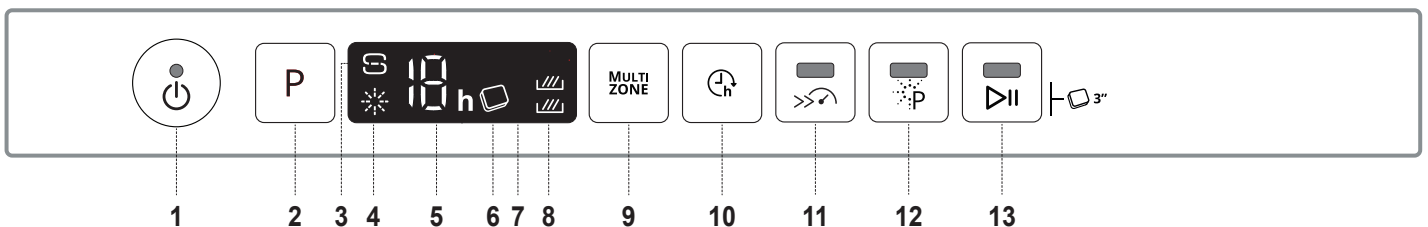
PRODUKTBESCHREIBUNG

GERÄT



1. Oberkorb
2. Faltbare Klappen
3. Oberkorb Höhenversteller
4. Oberer Sprüharm
5. Unterkorb
6. PowerClean® Halterungen
7. Besteckkorb
8. Unterer Sprüharm
9. Filtereinheit
10. Salzbehälter
11. Spülmittel und Klarspülerspender
12. Typenschild
13. Bedienfeld

BEDIENTAFEL



1. Ein-Aus/Reset Taste mit Anzeigelicht
2. Programmwahl-Taste
3. Anzeigelicht zum Salz auffüllen
4. Anzeigelicht zum Klarspüler auffüllen
5. Programmnummer und Verzögerungszeit-Anzeige
6. Tab Anzeigelicht
7. Anzeige
8. Multizone Anzeigelicht
9. Multizone-Taste
10. Startvorwahl-Taste
11. Turbo-Taste mit Anzeigelicht
12. Power Clean®-Taste mit Anzeigelicht
13. Start/Pause Taste mit Anzeigelicht / Tab

ERSTER GEBRAUCH

SALZ, KLARSPÜLER UND SPÜLMITTEL


HINWEISE ZUR ERSTEN INBETRIEBNAHME

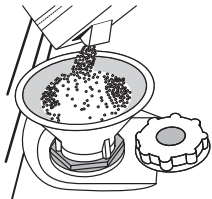
Nach Abschluss der Installation die Puffer an den Körben und die Rückhaltegummis vom oberen Korb entfernen.

SALZBEHÄLTER BEFÜLLEN

Mit der Verwendung von Salz werden KALKABLAGERUNGEN auf dem Geschirr und den funktionalen Komponenten des Geschirrspülers verhindert.

- **DER SALZBEHÄLTER DARF NIE LEER SEIN!**
- Es ist wichtig, die Wasserhärte einzustellen.

Der Salzbehälter befindet sich im Geschirrspülerboden (siehe *PRODUKTBE-SCHREIBUNG*) und muss aufgefüllt werden, wenn die **SALZNACHFÜLLANZEIGE**  der Bedienblende leuchtet.



1. Ziehen Sie den Unterkorb heraus und schrauben Sie den Salzbehälterdeckel gegen den Uhrzeigersinn ab.
2. **Nur beim ersten Mal: Befüllen Sie den Salzbehälter mit Wasser.**
3. Setzen Sie den Trichter auf (siehe Abbildung) und füllen Sie den Behälter bis zum Rand mit Salz (ca. 1 kg), es ist normal, wenn etwas Wasser ausläuft.
4. Den Trichter abnehmen und die Salzreste vom Öffnungsrand entfernen.

Sicherstellen, dass der Deckel fest angeschraubt ist, so dass kein Spülmittel während dem Waschprogramm in den Behälter gelangt (dies könnte den Wasserenthärter irreparabel beschädigen).

Immer wenn Sie Salz zugeben müssen, ist es zwingend vorgeschrieben, diesen Vorgang vor dem Beginn des Spülgangs auszuführen, um Korrosion zu vermeiden.

WASSERHÄRTE EINSTELLEN

Damit der Wasserenthärter perfekt arbeiten kann, muss die Wasserhärte je nach der aktuellen Wasserhärte in Ihrem Haus eingestellt werden. Diese Information erhalten sie bei Ihrem örtlichen Wasserversorger. Das Werk stellt den Standardwert für die Wasserhärte ein.

- Die Geschirrspülmaschine mit der Taste **EIN/AUS** einschalten.
- Mit der Taste **EIN/AUS** ausschalten.
- Die Taste **P** 5 Sekunden lang gedrückt halten, bis Sie einen Piepton hören.
- Mit der Taste **EIN/AUS** einschalten.
- Die Nummer der aktuell ausgewählten Stufe und die Salznachfüllanzeige blinken.
- Drücken Sie die Taste **P** um die gewünschte Härtestufe auszuwählen (siehe *WASSERHÄRTE-TABELLE*).

Wasserhärte-Tabelle				
Stufe	°dH Deut. Härtegr.	°fH Französischer Härtegr.	°Clark Engl. Härtegr.	
1	Weich	0 - 6	0 - 10	0 - 7
2	Mittel	7 - 11	11 - 20	8 - 14
3	Durchschnittlich	12 - 16	21 - 29	15 - 20
4	Hart	17 - 34	30 - 60	21 - 42
5	Sehr hart	35 - 50	61 - 90	43 - 62

- Mit der Taste **EIN/AUS** ausschalten.

Die Einstellung ist abgeschlossen!

Sobald dieses Verfahren abgeschlossen ist, ein Programm ohne Beladung laufen lassen.


Verwenden Sie bitte nur Spezzalz für Geschirrspüler.

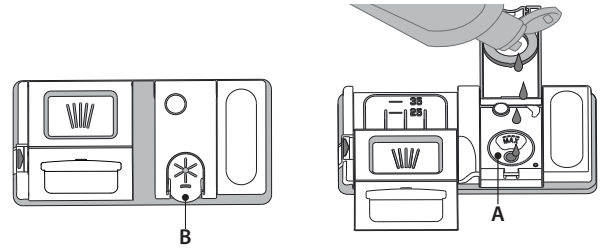
Nach dem Einfüllen des Salzes erlischt die SALZNACHFÜLLANZEIGE.

Wenn der Salzbehälter nicht gefüllt ist, könnten Kesselsteinablagerungen den Wasserenthärter und das Heizelement beschädigen.

Die Verwendung von Salz wird bei jeder Art von Geschirrspülmittel empfohlen.

KLARSPÜLERSPENDER AUFFÜLLEN

Klarspüler macht das TROCKNEN von Geschirr einfacher. Der Klarspüler-spender **A** muss aufgefüllt werden, wenn das **KLARSPÜLER AUFFÜLLEN ANZEIGELICHT**  auf der Bedienblende leuchtet.



1. Den Behälter **B** durch Drücken und Anheben der Zunge am Deckel öffnen.
2. Den Klarspüler vorsichtig bis zur maximalen Füllstandsmarkierung (110 ml) an der Füllöffnung einfüllen und ein Überlaufen vermeiden. Andernfalls sofort mit einem trockenen Tuch abwischen.
3. Den Deckel schließen bis er einrastet.

Füllen Sie den Klarspüler NIEMALS direkt ins Innere des Geschirrspülers.

KLARSPÜLERDOSIERUNG

Sollte das Trockenergebnis unzufrieden stellend sein, kann die Klarspülerdosierung neu eingestellt werden.

- Die Geschirrspülmaschine mit der Taste **EIN/AUS** einschalten.
- Mit der Taste **EIN/AUS** ausschalten.
- Drücken Sie die Taste **P** drei Mal - ein Piepton ertönt.
- Mit der Taste **EIN/AUS** einschalten.
- Die Nummer der aktuell ausgewählten Stufe und die Klarspüler nachfüllanzeige blinken.
- Drücken Sie die Taste **P**, um den Stand der gelieferten Klarspülermenge auszuwählen.
- Mit der Taste **EIN/AUS** ausschalten.

Die Einstellung ist abgeschlossen!

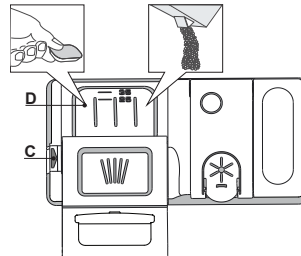
Die Klarspülerstufe kann auf NULL (ECO) eingestellt werden. In diesem Fall wird kein Klarspüler ausgegeben. Die Kontrollleuchte zur ANZEIGE DES FEHLENDEN KLARSPÜLERS leuchtet nicht mehr auf.

Je nach Gerätemodell können bis max. 5 Stufen eingestellt werden. Die Werkseinstellung ist abhängig vom Modell. Bitte befolgen Sie die Anweisungen oben, um dies für Ihr Gerät zu überprüfen.

- Wenn Sie bläuliche Streifen auf dem Geschirr sehen, stellen Sie eine niedrigere Zahl ein (1-2).
- Wenn Wassertropfen oder Kalkablagerungen auf dem Geschirr sind, eine höhere Zahl einstellen (3-4)

EINFÜLLEN DES SPÜLMITTELS

Zum Öffnen des Spülmittelbehälters den Öffnungsmechanismus C drücken. Füllen Sie das Spülmittel ausschließlich in das trockene Fach D ein. Die für den Vorspülgang benötigte Spülmittelmenge wird direkt in den Geschirrspüler gegeben.



1. Hinsichtlich der Dosierung verweisen wir auf die zuvor erwähnte Information, in der die richtige Menge angegeben ist. Im Fach **D** sind Anzeigen die bei der Spülmitteldosierung helfen.
2. Entfernen Sie eventuelle Spülmittelrückstände von den Kanten der Kammern und schließen Sie den Deckel so, dass er einrastet.
3. Schieben Sie den Deckel der Spülmittelkammer zum Schließen nach oben, bis er einrastet.

Die Spülmittelkammer öffnet sich automatisch zum richtigen Zeitpunkt des jeweils gewählten Programms.

Werden Kombispülmittel verwendet, dann empfehlen wir, die Option **TAB** zu verwenden. Damit werden die Programme dem verwendeten Spülmittel angepasst, um das bestmögliche Spülergebnis zu erhalten.

Die Verwendung von Reinigungsmitteln, die nicht für Geschirrspüler bestimmt sind, kann zu Fehlfunktionen oder Schäden am Gerät führen.

PROGRAMMS TABLE

Programm	Trockenphase NaturalDry	Verfügbare Zusatzfunktionen *)	Programmdauer (Std:Min)**)	Wasserverbrauch (Liter/ Zyklus)	Energieverbrauch (kWh/ Zyklus)
1. Eco ECO 50°	✓ ✓		3:10	9,5	0,75
2. 6th Sense® 50-60°	✓ ✓	MULTI ZONE >>	1:25 - 3:00	7,0 - 14,0	0,90 - 1,40
3. Intensiv 65°	✓ ✓	MULTI ZONE >>	2:50	14,0	1,50
4. Schnelles Spülen&Trocknen 50°	✓ ✓	MULTI ZONE	1:25	11,5	1,10
5. Kristall 45°	✓ ✓	MULTI ZONE	1:40	11,5	1,20
6. Rapid 30' 50°	- -	MULTI ZONE	0:30	9,0	0,50
7. Nachtspülen 50°	✓ ✓		3:30	15,0	1,15
8. Desinfizieren 65°	✓ -		1:40	10,0	1,30
9. Vorwäsche -	- -	MULTI ZONE	0:12	4,5	0,01
10. Selbstreinigend 65°	- -		0:50	8,0	0,85

Die ECO-Programmdaten sind Labormessdaten, die gemäß der europäischen Vorschrift EN 60436:2020 erfasst wurden.

Hinweis für die Prüflabors: Informationen hinsichtlich der Bedingungen des EN-Vergleichstests sind unter nachfolgender Adresse anzufordern: dw_test_support@whirlpool.com

Eine Vorbehandlung des Geschirrs ist vor keinem Programm erforderlich.

*) Nicht alle Optionen können gleichzeitig verwendet werden.

***) Werte, die für andere Programme als das ECO-Programm angegeben werden, sind nur Richtwerte. Die aktuelle Zeit kann auf Grundlage von mehreren Faktoren, wie Temperatur und Druck des eintretenden Wassers, Raumtemperatur, Spülmittelmenge, Menge und Art der Beladung, Lastausgleich, zusätzlich gewählte Optionen und Sensoreichung variieren. Die Sensoreichung kann die Programmdauer bis zu 20 Min. erhöhen.

PROGRAMMBESCHREIBUNG

Anweisungen bezüglich der Auswahl des Waschzyklus.

1 ECO

Das ECO-Programm eignet sich, um normal verschmutztes Geschirr zu reinigen. In Bezug auf den kombinierten Energie- und Wasserverbrauch ist es das effizienteste Programm, das auch zur Prüfung der Einhaltung der Ökodesign-Richtlinie verwendet wird.

2 6th SENSE®

Für normal verschmutztes Geschirr mit trockenen Speiseresten. Erfasst den Grad der Verschmutzung auf dem Geschirr und passt das Programm entsprechend an. Wenn der Sensor den Grad der Verschmutzung erfasst, wird im Display eine Animation angezeigt und die Programmdauer wird aktualisiert.

3 INTENSIV

Programm empfohlen für stark verschmutztes Geschirr, besonders Töpfe und Pfannen (nicht für empfindliche Teile verwenden).

4 SCHNELLES SPÜLEN&TROCKNEN

Normal verschmutztes Geschirr. Täglicher Zyklus, der optimale Reinigungs- und Trockenleistung in kürzester Zeit garantiert.

5 KRISTALL

Programm für empfindliches Geschirr, das empfindlicher auf hohe Temperaturen ist, zum Beispiel Gläser und Becher.

6 RAPID 30'

Programm ideal für eine halbe Beladung mit leicht verschmutztem Geschirr ohne getrocknete Speisereste. Hat keine Trocknungsphase.

7 NACHTSPÜLEN

Geeignet für den Nachtbetrieb des Gerätes. Garantiert optimale Reinigungs- und Trockenleistung bei niedrigstem Lärmpegel.

8 DESINFIZIEREN

Normal oder stark verschmutztes Geschirr mit zusätzlichem antibakteriellen Spülgang. Kann für die Wartung des Geschirrspülers verwendet werden.

9 VORWÄSCHE

Verwendet, um Geschirr einzuweichen, das später gespült werden soll. Für dieses Programm wird kein Spülmittel verwendet.

10 SELBSTREINIGEND

Programm, das für die Pflege des Geschirrspülers zu verwenden ist. Es ist nur bei LEEREM Geschirrspüler und mit speziellen Reinigungsmitteln für die Pflege des Geschirrspülers auszuführen.

Notes:

Bitte beachten Sie, dass das Programm Rapid 30' für leicht verschmutztes Geschirr geeignet ist.

OPTIONEN UND FUNKTIONEN

OPTIONEN kann direkt durch Drücken der entsprechenden Taste ausgewählt werden (siehe *BEDIENBLENDE*).

Wenn eine Option nicht mit dem ausgewählten Programm kompatibel ist (siehe *PROGRAMMTABELLE*), blinken die entsprechenden LED 3 Mal schnell und ein Piepton ertönt. Die Option wird nicht aktiviert.

MULTI ZONE MULTIZONE

Haben Sie nur wenig Geschirr zu spülen, wählen Sie den Spülgang Halbe Füllung. Sie sparen Wasser, Strom und Spülmittel.

Wählen Sie das Programm und drücken Sie dann die Taste MULTIZONE: das Symbol des gewählten Korbes erscheint auf dem Display. Standardmäßig wäscht das Gerät das Geschirr in allen Körben.

Drücken Sie diese Taste wiederholt, um nur einen bestimmten Korb zu spülen:



gezeigt auf dem Display (nur Unterkorb)



gezeigt auf dem Display (nur Oberkorb)



gezeigt auf dem Display (Option ist AUS und das Gerät wäscht Geschirr in allen Körben).

Denken Sie daran, nur den Ober- oder Unterkorb zu füllen, und die Menge an Spülmittel entsprechend zu reduzieren.

Wenn der oberen Korb herausgenommen wird, gießen Sie das Reinigungsmittel bitte direkt in die Wanne statt in den Waschmittelpender.



STARTVORWAHL

Die Programmstartzeit kann um eine Zeit von 1 bis 12 Stunden verzögert werden.

1. Drücken Sie die Taste STARTVORWAHL: Das entsprechende Symbol «h» erscheint auf dem Display; bei jedem Drücken der Taste, erhöht sich die Zeit (1 Std., 2 Std., usw. bis zu max. 12 Std.) ab dem Start des ausgewählten Spülprogramms.
2. Wählen Sie das Waschprogramm, drücken Sie die Taste START/Pause-Taste und schließen Sie die Tür innerhalb von 4 Sekunden: die Zeitschaltuhr beginnt mit der Rückzählung.
3. Nach Ablauf dieser Zeit, schaltet sich das Anzeigelicht «h» aus und das Programm beginnt automatisch.

Um die Startverzögerung anzupassen und eine kürzere Dauer auszuwählen, die Taste STARTVORWAHL drücken. Um abzubrechen, die Taste wiederholt drücken, bis das ausgewählte STARTVORWAHL-Anzeigelicht «h» aus geht. Das Spülprogramm startet automatisch sobald die Tür geschlossen wird.

Bei bereits in Gang gesetztem Programm ist eine Startzeitvorwahl nicht mehr möglich.



TURBO

Diese Option kann verwendet werden um die Dauer der Hauptprogramme zu reduzieren, unter Beibehaltung derselben Spül- und Trockenleistungsgrade.

Nach der Auswahl des Programms, drücken Sie die TURBO-Taste und das Anzeigelicht leuchtet auf. Durch erneuten Druck auf die Taste wird die Option deaktiviert.



POWER CLEAN®

Mit den zusätzlichen Powerdüsen bietet diese Option im dafür vorgesehenen Bereich im Unterkorb einen intensiveren und stärkeren Spülvorgang. Diese Zusatzfunktion ist ideal zum Reinigen von Töpfen und Brätern. Drücken Sie diese Taste, um Power Clean zu aktivieren (die Anzeige leuchtet auf).



TAB

Diese Einstellung erlaubt, die Spülleistung des Programms je nach verwendetem Spülmitteltyp zu optimieren.

Drücken Sie die Start/Pause-Taste 3 Sekunden lang (das entsprechende Symbol leuchtet), wenn Sie kombinierte Spülmittel in Tablettenform verwenden (Klarspüler, Regeneriersalz und Spülmittel in 1 Dosierung).

Wenn Sie Pulver oder Flüssigspülmittel verwenden, muss diese Option ausgeschaltet sein.



BETRIEBSANZEIGE

Eine auf den Boden projizierte LED zeigt an, dass der Geschirrspüler in Betrieb ist. Eine der folgenden Betriebsarten kann ausgewählt werden:

- a) Deaktivierte Funktion
- b) Wenn das Programm startet schaltet sich das Licht für einige Sekunden an, bleibt während dem Programm ausgeschaltet und blinkt zu Programmende.
- c) Das Licht bleibt während dem Programm an und blinkt zu Programmende (Standardeinstellung).

Wenn der verzögerte Start ausgewählt wurde, schaltet sich das Licht entweder die ersten paar Sekunden an oder bleibt während der gesamten Dauer der Rückzählung an, je nachdem ob b) oder c) eingestellt wurde.

Das Licht geht aus, sobald die Tür geöffnet wird. Um die bevorzugte Betriebsart auszuwählen, die Maschine einschalten, die Taste **P** gedrückt halten, bis einer der drei Buchstaben auf dem Display erscheint, die Taste **P** drücken, bis der gewünschte Buchstabe (oder Betriebsweise) erreicht ist, die Taste **P** gedrückt halten, um die Auswahl zu bestätigen.

Hinweis: Wenn NaturalDry aktiv ist und die Tür öffnet, blinkt die Betriebsanzeige bei Ende des Spülgangs nicht.

NaturalDry

NaturalDry ist ein Heißlufttrocknungssystem, das die Tür während/nach der Trockenphase automatisch öffnet, um täglich hervorragende Trockenleistung sicherzustellen. Die Tür öffnet sich bei einer für Ihre Küchenmöbel sicheren Temperatur, daher wird die Tür nicht geöffnet, wenn die Option TURBO eingeschaltet ist.

Als zusätzlicher Dampfschutz wird dem Geschirrspüler eine speziell entwickelte Schutzfolie beigefügt. Für die Montage der Schutzfolie siehe (INSTALLATIONSANLEITUNG).

Die *NaturalDry*-Funktion könnte wie folgt durch den Benutzer deaktiviert werden:

1. Rufen Sie das Geschirrspüler-Softwaremenü durch Drücken und Halten der Taste "P" auf (6 Sek.).
2. Sie befinden sich derzeit im Menü der Lichtsteuerung (siehe Beschreibung BETRIEBSANZEIGE). Wenn Sie nichts ändern möchten, drücken und halten Sie die Taste "P" (bis einer der beiden Buchstaben auf dem Display erscheint).
3. Sie haben auf das Menü *NaturalDry*-Steuerung umgeschaltet. Sie können nun durch Drücken der Taste "P" den Status der *NaturalDry*-Funktion ändern:

E – aktiv **d** – nicht aktiv

Zum Bestätigen der Änderung und Verlassen des Steuermenüs drücken und halten Sie die Taste "P" (3 Sek.).

PÄIVITÄISEN KÄYTÖN OPAS



KIITOS SIITÄ, ETTÄ OSTIT WHIRLPOOL-TUOTTEEN.
Jotta voit saada parempaa palvelua, rekisteröi laitteesi osoitteessa www.whirlpool.eu/register

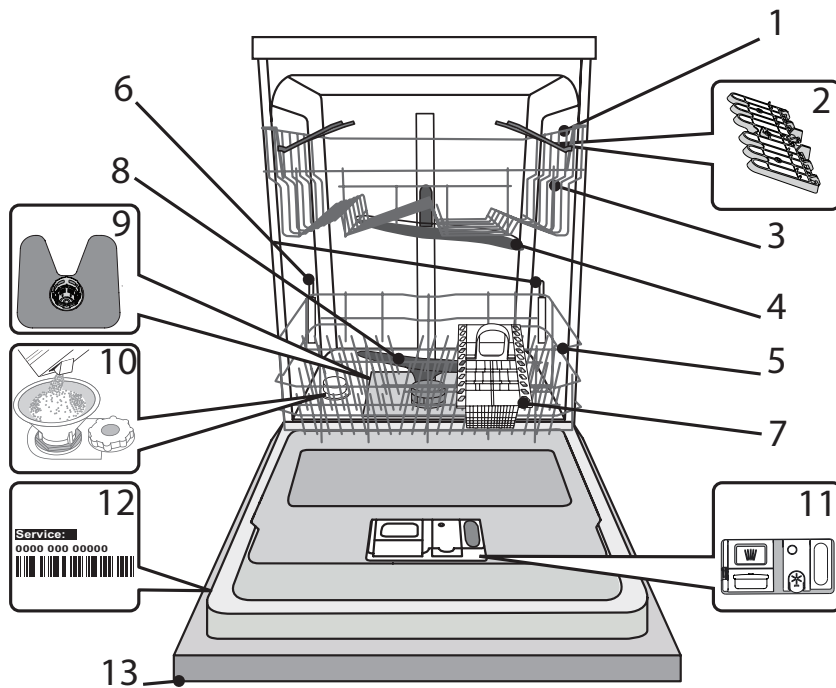


Voit ladata turvallisuusohjeet ja käyttöohjeet, käymällä sivustollamme docs.whirlpool.eu ja noudattamalla tämän vihkosen takana olevia ohjeita.

Lue turvaohjeet huolellisesti ennen laitteen käyttöä.

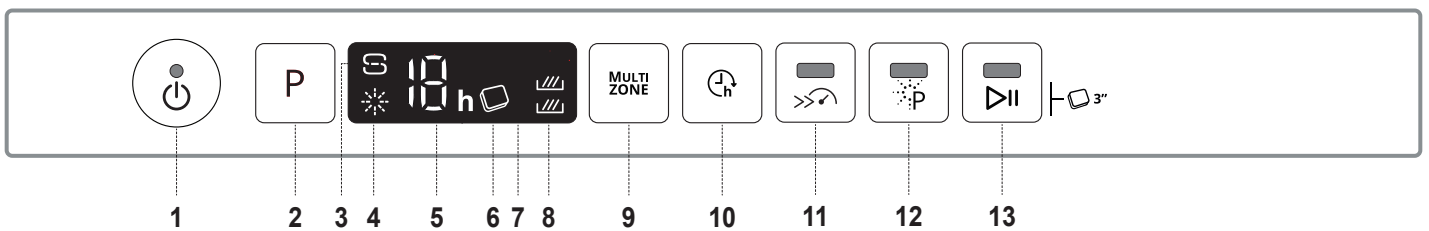
TUOTTEEN KUVAUS

LAITE



1. Yläkori
2. Taivutettavat läpät
3. Yläkorin korkeuden säätäjä
4. Ylempi suihkuvarsi
5. Alakori
6. Power Clean® -tuki
7. Ruokailuvälinekori
8. Alempi suihkuvarsi
9. Sihtiryhmä
10. Suolasäiliö
11. Pesuaine- ja huuhtelukirkastelokerot
12. Arvokilpi
13. Käyttöpaneeli

KÄYTTÖPANEELI



1. Virta/nollauspainike ja sen merkkivalo
2. Ohjelman valintapainike
3. Suolan täytön merkkivalo
4. Huuhtelukirkasteen täytön merkkivalo
5. Ohjelman numero ja viiveajan merkkivalo
6. Tabletin (Tab) merkkivalo
7. Näyttö
8. Multizone-merkkivalo
9. Multizone-painike
10. Ajastuspainike
11. Turbo-painike ja sen merkkivalo
12. Power Clean®-painike ja sen merkkivalo
13. Käynnistys-/Taukopainike ja sen merkkivalo/ Tabletti (Tab)

ENSIMMÄINEN KÄYTTÖKERTA SUOLA, HUUHTELUKIRKASTEEN JA PESUAINETTA

ENSIMMÄISTÄ KÄYTTÖKERTAA KOSKEVIA NEUVOJA

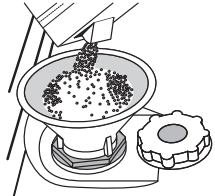
Poista asennuksen jälkeen korien pysäyttimet sekä yläkorin pidättelevät joustavat kappaleet.

SUOLASÄILIÖN TÄYTTÄMINEN

Suolan käyttäminen estää KALKKEUTUMIEN syntymistä astioihin ja koneen toiminnan kannalta oleellisiin osiin.

- **SUOLASÄILIÖ ei saa KOSKAAN OLLA TYHJÄ.**
- Veden kovuuden asettaminen on tärkeä seikka.

Suolasäiliö sijaitsee astianpesukoneen alaosassa (ks. TUOTTEEN KUVAUS) ja se on täytettävä kun **SUOLASÄILIÖN TÄYTÖN merkkivalo**  käytöpaneelissa palaa.



1. Poista alakori ja kierrä auki säiliön korkki (vastapäivään).
2. Tee näin vain ensimmäisellä kerralla: täytä suolasäiliö vedellä.
3. Laita suppilo (ks. kuva) paikalleen ja täytä suolasäiliö reunaan asti (noin 1 kg); vähäisen vesimäärän valuminen ulos ei ole epätavallista.
4. Ota suppilo pois ja pyyhi aukolta kaikki suolajäänteet.

Varmista, että korkki on kierretty kiinni kunnolla, jotta säiliöön ei pääse pesuainetta pesuohjelman aikana (tämä seikka saattaisi vahingoittaa vedenpehmittä korjaamattomalla tavalla).

Aina kun suolaa on tarpeen lisätä, toimenpide on vietävä loppuun ennen pesujakson aloittamista korroosion estämiseksi.

VEDEN KOVUUDEN ASETTAMINEN

Jotta vedenpehmittin pystyy toimimaan asianmukaisesti, on asetetun veden kovuuden vastattava asunnon veden todellista kovuutta. Tämä asia selviää paikalliselta vesilaitokselta.

Tehdas asettaa oletusarvon veden kovuudelle.

- Laita laite päälle painamalla **VIRTA**-painiketta.
- Sammuta laite painamalla **VIRTA**-painiketta.
- Pidä **P**-painiketta painettuna 5 sekunnin ajan, kunnes kuuluu äänimerkki.
- Laita laite päälle painamalla **VIRTA**-painiketta.
- Voimassa olevaa tasovalintaa kuvaava numero ja suolan merkkivalo vilkkuvat.
- Valitse haluttu kovuustaso painamalla painiketta **P** (ks. **VEDEN KOVUUSTAULUKKO**).

Veden kovuustaulukko				
Taso		°dH Saksalaiset asteet	°fH Ranskalaiset asteet	°Clark Englantilainen asteikko
1	Pehmeä	0 - 6	0 - 10	0 - 7
2	Keskikova	7 - 11	11 - 20	8 - 14
3	Puolikova	12 - 16	21 - 29	15 - 20
4	Kova	17 - 34	30 - 60	21 - 42
5	Hyvin kova	35 - 50	61 - 90	43 - 62

- Sammuta laite painamalla **VIRTA**-painiketta.

Asetus on suoritettu!

Käynnistä tämän prosessin loputtua ohjelma konetta täyttämättä.

Käytä ainoastaan erityisesti astianpesukoneille suunniteltua suolaa.


Kun suola on kaadettu koneeseen, **SUOLAN TÄYTÖN** merkkivalo sammuu.

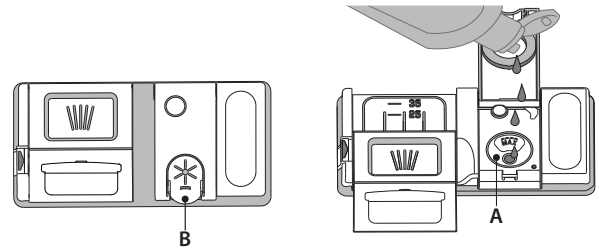
Jos suolasäiliötä ei täytetä, saattaa seurauksena olla vedenpehmittimen ja lämmitysvastuksen vahingoittuminen kalkkikeräytymien vuoksi.

Suolaa on käytettävä kaikenlaisien astianpesukoneiden tarkoitettujen pesuainesten kanssa.

HUUHTELUKIRKASTESÄILIÖN TÄYTTÄMINEN

Huuhtelukirkaste helpottaa astioiden KUIVAAMISTA.

Huuhtelukirkastesäiliö **A** on täytettävä kun **HUUHTELUKIRKASTEEN TÄYTÖN merkkivalo**  käyttöpaneelissa palaa.



1. Avaa säiliö **B** painamalla ja vetämällä kannen nupista.
2. Lisää huuhtelukirkastetta varovaisesti täyttötilan maksimimerkkiin (110 ml) asti - älä läikytä ainetta. Jos näin käy, pyyhi vuotanut aine välittömästi pois kuivalla liinalla.
3. Paina kantta alaspäin kunnes kuulet sulkemisen ilmoittavan napsahduksen.

ÄLÄ koskaan kaada huuhtelukirkastetta suoraan pesutilaan.

HUUHTELUKIRKASTEEN ANNOSTELUN SÄÄTÄMINEN

Jos et ole täysin tyytyväinen kuivaustulokseen, voit säätää käytetyn huuhtelukirkasteen määrää.

- Laita astianpesukone päälle **VIRTA**-painikkeesta.
- Laita se pois päältä **VIRTA**-painikkeesta.
- Paina **P**-painiketta kolme kertaa - kuuluu äänimerkki.
- Laita se päälle **VIRTA**-painikkeesta.
- Voimassa olevaa tasovalintaa kuvaava numero ja huuhtelukirkasteen merkkivalo vilkkuvat.
- Valitse täytettävän huuhtelukirkastemäärän määrän taso painamalla **P**-painiketta.
- Laita se pois päältä **VIRTA**-painikkeesta

Asetus on suoritettu!

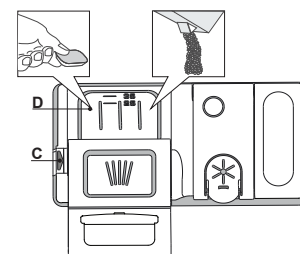
Jos huuhtelukirkasteen tason arvoksi on asetettu **NOLLA (SÄÄSTÖ)**, huuhtelukirkastetta ei annostella. **ALHAISESTA HUUHTELUKIRKASTEMÄÄRÄSTÄ** ilmoittava merkkivalo ei syty, jos huuhtelukirkaste loppuu.

Astianpesukoneen mallista riippuen käytettävissä on korkeintaan 5 eritasoa. Tehdasasetus koskee erityisesti tätä mallia; noudata yllä annettuja ohjeita tarkastaessasi tämän koneestasi.

- Jos astioissa näkyy sinertäviä raitoja, aseta arvoksi matala numero (1-2).
- Jos astioissa on vesipisaroita tai kalkkijäämiä aseta arvoksi korkea numero (3-4).

PESUAINELOKERON TÄYTTÄMINEN

Pesuainesäiliö avataan avauslaitteesta C. Laita pesuainetta ainoastaan kuivaan säiliöön D. Laita esipesuun tarkoitettu pesuainemäärä suoraan pesutilan sisään.



1. Kun mittaat pesuainetta, katso sen oikea määrä aiemmin ilmoitetusta kohdasta. Lokeron **D** sisällä on pesuaineen annostelua helpottavat merkinnät.
2. Poista pesuainejäämät säiliön reunasta ennen kannen sulkemista ja sulje kansi; se napsahtaa kiinni.
3. Sulje pesuainesäiliön kansi vetämällä sitä ylöspäin, kunnes sulku laite asettuu paikalleen.

Pesuainelokero avautuu automaattisesti oikeaan aikaan ohjelman mukaisesti.

Jos käytetään all-in-one-pesuainetta, on suositeltavaa käyttää

TABLETTI-painiketta, sillä se säätää ohjelman siten, että saadaan aina parhaat pesu- ja kuivaustulokset.

Muiden kuin astianpesukoneille tarkoitettujen pesuainesten käyttäminen saattaa aiheuttaa laitteelle toimintahäiriöitä tai vahingoittaa sitä.

OHJELMATAULUKKO

Ohjelma	Kuivausvaihe	NaturalDry	Mahdolliset lisävalinnat *)	Pesujakson kesto (h:min)**	Veden kulutus (l/jakso)	Energiankulutus (kWh/jakso)	
1. Säästö	ECO 50°	✓	✓		3:10	9,5	0,75
2. 6 th Sense®	50-60°	✓	✓	MULTI ZONE	1:25 - 3:00	7,0 - 14,0	0,90 - 1,40
3. Tehopesu	65°	✓	✓	MULTI ZONE	2:50	14,0	1,50
4. Pikapesu & kuivaus	50°	✓	✓	MULTI ZONE	1:25	11,5	1,10
5. Kristalli	45°	✓	✓	MULTI ZONE	1:40	11,5	1,20
6. Pika 30'	50°	-	-	MULTI ZONE	0:30	9,0	0,50
7. Hiljainen	50°	✓	✓		3:30	15,0	1,15
8. Sanitointi	65°	✓	-		1:40	10,0	1,30
9. Esipesu	-	-	-	MULTI ZONE	0:12	4,5	0,01
10. Itsepuhdistus	65°	-	-		0:50	8,0	0,85

SÄÄSTÖ-ohjelman tiedot on mitattu eurooppalaisen EN 60436:2020 -standardin mukaisissa laboratorio-olosuhteissa.

Huomautus testuslaitoksille: yksityiskohtaisten tietojen saamiseksi vertailevan EN testin ehdoista, lähetä pyyntö sähköpostiosoitteeseen: dw_test_support@whirlpool.com

Astioiden esikäsitteilyä ei tarvita ennen mitään näistä ohjelmista.

*) Kaikkia lisävalintoja ei ole mahdollista käyttää samanaikaisesti.

**) Muille kuin Eco-ohjelmalle annetut arvot ovat ainoastaan suuntaa-antavia. Todellinen aika saattaa vaihdella eri tekijöiden mukaisesti. Näitä ovat muun muassa veden lämpötila ja sen tulopaine, huoneen lämpötila, pesuaineen määrä, astioiden määrä ja niiden tyyppi, kuorman tasapaino, valitut lisätoiminnot sekä anturin kalibrointi. Anturin kalibrointi saattaa lisätä ohjelman kestoa jopa 20 minuuttia.

OHJELMIEN KUVAUS

Ohjelman valintaa koskevat ohjeet.

1 SÄÄSTÖ

Eco-ohjelma soveltuu normaalisti likaisille ruokapöydässä käytetyille astioille. Se on sekä energian että veden käytön kannalta tehokkain ohjelma. Tätä ohjelmaa käytetään EU:n ekosuunnittelun vaatimustenmukaisuuden arviointiin.

2 6th SENSE®

Normaalisti likaiset astiat, joissa on kuivuneita ruokatahroja. Tunnistaa astioiden likaisuuden automaattisesti ja säätää ohjelmaa sen mukaisesti. Kun anturi tunnistaa astioiden likaisuutta, näytössä näkyy liikkuva kuva ja kone päivittää ohjelman keston.

3 TEHOPESU

Suosittelua ohjelma erittäin likaisille astioille, sopii erityisesti pannuille ja kattiloille (ei saa käyttää aroille astioille).

4 PIKAPESU & KUIVAUS

Normaalilikaiset astiat. Jokapäiväiseen pesuun, takaa parhaat mahdolliset tulokset lyhyemmässä ajassa.

5 KRISTALLI

Jakso on tarkoitettu aroille astioille, jotka ovat herkkiä korkeille lämpötiloille, kuten esimerkiksi lasit ja kupit.

6 PIKA 30'

Ohjelma, jota käytetään puolitäydelle koneelliselle hieman likaisia astioita, joissa ei ole kuivaneita ruoanjäämiä. Kuivausvaihetta ei ole.

7 HILJAINEN

Soveltuu laitteen öiseen aikaan tapahtuvaan käyttöön. Takaa optimaalisen tuloksen.

8 SANITOINTI

Normaalilikaiset tai hyvin likaiset astiat, lisänä antibakteerinen toiminto. Voidaan käyttää astianpesukoneen kunnossapidon suorittamiseen.

9 ESIPESU

Muutama pestävä astia. Tämän ohjelman kanssa ei käytetä pesuainetta.

10 ITSEPUHDISTUS

Ohjelma, jota tulee käyttää astianpesukoneen huollon suorittamiseen, ainoastaan astianpesukoneen ollessa TYHJÄ, käyttäen astianpesukoneen huoltoon tarkoitettuja erityispesuaineita.

Huomio:

Huomaa, että Pika 30'-ohjelma on tarkoitettu vain vähän likaisille astioille.

LISÄVALINNAT JA TOIMINNOT

LISÄVALINNAT voidaan valita suoraan painamallavastaavaa painiketta (ks. Käyttöpaneeli).

Jos jokin lisävalinta ei sovi yhteen valitun ohjelman kanssa (ks. Ohjelmataulukko), vastaava LED vilkkuu nopeasti 3 kertaa ja kuuluu äänimerkki. Lisävalintaa ei voida käyttää.

MULTI ZONE MULTIZONE

Jos pestävinä ei ole paljon astioita, voidaan käyttää puolitäyttöä, joka säästää vettä, sähköä ja pesuainetta. Valitse ohjelma ja paina sitten MULTIZONE-painiketta: valitun korin symboli tulee näkyviin näytölle. Oletusasetuksen mukaan laite pesee kaikissa koreissa olevat astiat.

Jos haluat pestä vain tietyn korillisen, paina tätä painiketta toistuvasti:



näky näytöllä (vain alakori)



näky näytöllä (vain yläkori)



näky näytöllä (valinta ei ole käytössä ja laite pesee kaikissa koreissa olevat astiat).

Muista täyttää ainoastaan ylä- tai alakori ja vähentää pesuaineen määrää vastaavasti.

Jos yläteline on poistettu, laita pesuaine suoraan koneen sisälle, ei pesuainelokerikkoon.

AJASTUS

Ohjelman käynnistymisaika voidaan ajastaa alkamaan myöhempänä ajankohtana, 1 – 12 tuntia myöhemmäksi.

1. Paina AJASTUS-painiketta: näyttöön ilmestyy vastaava „h”-symboli; painikkeen jokaisella painalluksella valitun pesujakson käynnistyshetki (1h, 2h, jne., kork. 12 h) siirtyy myöhemmäksi.
2. Valitse pesuohjelma, paina KÄYNNISTYS-/TAUKO-painiketta ja sulje luukku 4 sekunnin kuluessa: ajastin alkaa lähtölaskennan.
3. Kun tämä aika on kulunut loppuun, merkkivalo „h” sammuu ja pesujakso alkaa.

Ajastettua aikaa voidaan säätää ja lyhentää painamalla AJASTUS-painiketta. Se peruutetaan painamalla painiketta toistamiseen kunnes ajastetun käynnistytksen valintaa tarkoittava merkkivalo „h” sammuu.

AJASTUS-toimintoa ei voida asettaa sen jälkeen kun ohjelma on alkanut.

TURBO

Tämä lisävalintaa voidaan käyttää pääohjelmien keston lyhentämiseen säilyttäen kuitenkin pesu- ja kuivaustehot samalla tasolla.

Paina ohjelman valinnan jälkeen TURBO-painiketta ja sen merkkivalo syttyy. Lisätoiminnon valinta perutaan painamalla samaa painiketta uudelleen.

POWER CLEAN®

Tämän toiminnon lisävesisuihkut parantavat pesutehoa alakorin määrättyllä alueella. Toimintoa suositellaan käytettäväksi pannujen ja kattiloiden pesuun.

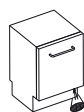
Aktivoi POWER CLEAN® -tehopesutoiminto painamalla tätä painiketta (merkkivalo syttyy).

TABLETTI

Tämä asetus optimoi ohjelman suorittamisen käytetyn pesuainetyypin mukaisesti.

Paina KÄYNNISTYS-/Tauko-painiketta 3 sekunnin ajan (vastaava merkkivalo syttyy), jos käytät tablettimuotoisia yhdistelmäpesuaineita (huuhtelukirkaste, suola ja pesuaine yhdessä annoksessa).

Jos käytät jauhemaista tai nestemäistä pesuainetta, kyseisen valinnan tulisi olla sammuneena.



TOIMINNAN ILMAISIN

Lattialle heijastuva LED-valo tarkoittaa, että astianpesukone on käynnissä. Tältä osin voidaan valita jokin seuraavista toimintatavoista:

- a) Toiminto poissa käytöstä.
- b) Kun jakso käynnistyy, valo syttyy muutaman sekunnin ajaksi, pysyy sammuneena jakson ajan ja vilkkuu sen lopussa.
- c) Valo palaa jakson ajan ja vilkkuu sen lopussa (oletustoimintatapa).

Jos asetettuna oli ajastus, valo syttyy joko ensimmäisten muutaman sekunnin ajaksi tai koko lähtölaskennan ajaksi riippuen siitä onko valittu toimintatapa b) ja c).

Valo sammuu aina kun luukku avataan. Haluttu toimintatapa valitaan käynnistämällä kone, pitämällä painettuna painiketta P kunnes yksi kolmesta kirjaimesta tulee näkyviin näytölle, painamalla painiketta P kunnes saavutetaan haluttu kirjain (tai toimintatapa), pitämällä painettuna painiketta P valinnan vahvistamiseksi.

Huomaa: Jos NaturalDry on aktiivisena ja se avaa luukun, toiminnan ilmainen ei vilku jakson lopussa.

NaturalDry

NaturalDry on konvektioon perustuva kuivausjärjestelmä, joka avaa luukun automaattisesti kuivausvaiheen aikana/jälkeen; tämän tarkoituksena on varmistaa erinomaiset kuivaustulokset päivästä päivään. Luukku avautuu keittiökalusteille turvallisessa lämpötilassa. Luukku ei siis avaudu silloin kun TURBO on käynnissä.

Astianpesukoneeseen on lisäsuojaksi höyryltä lisätty erityisesti tähän suunniteltu suojakalvo. Suojakalvon asentamisesta on kerrottu kohdassa (ASENNUSOPAS).

Käyttäjä voi deaktivoida NaturalDry-toiminnon seuraavalla tavalla:

1. Avaa astianpesukoneen ohjelmiston valikko painamalla P-painiketta ja pitämällä sitä painettuna (kunnes jompikumpi kirjaimista syttyy näytölle).
2. Olet nyt valon ohjausvalikossa (katso kuvaus TOIMINNAN ILMAISIN); jos et halua muuttaa mitään, paina P-painiketta ja pidä sitä painettuna (3 sekuntia)
3. Olet siirtynyt NaturalDry-ohjausvalikkoon; voit muuttaa NaturalDry-toiminnon tilaa painamalla P-painiketta:

E – käytössä **d** – ei käytössä

Muutos vahvistetaan ja ohjausvalikosta poistutaan painamalla P-painiketta ja pitämällä sitä painettuna (3 sekuntia).

GUIDE D'UTILISATION QUOTIDIENNE

D'UTILISATION QUOTIDIENNE



MERCI D'AVOIR CHOISI UN PRODUIT WHIRLPOOL.
Afin de recevoir une assistance plus complète,
merci d'enregistrer votre appareil sur on:
www.whirlpool.eu/register

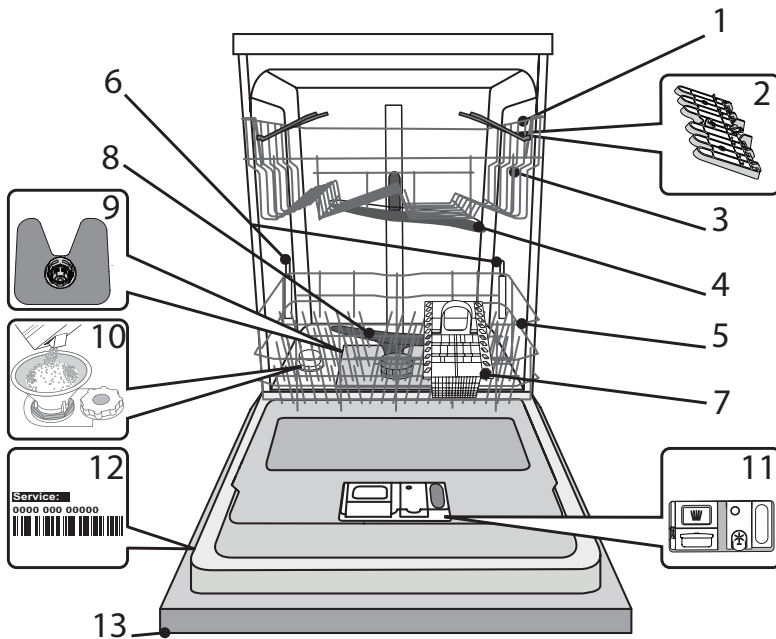


Vous pouvez télécharger les Consignes de sécurité et le Manuel de l'utilisateur, en visitant notre site Internet docs.whirlpool.eu et en suivant les instructions figurant au verso du présent fascicule.

Avant d'utiliser l'appareil, lisez attentivement les Consignes de sécurité.

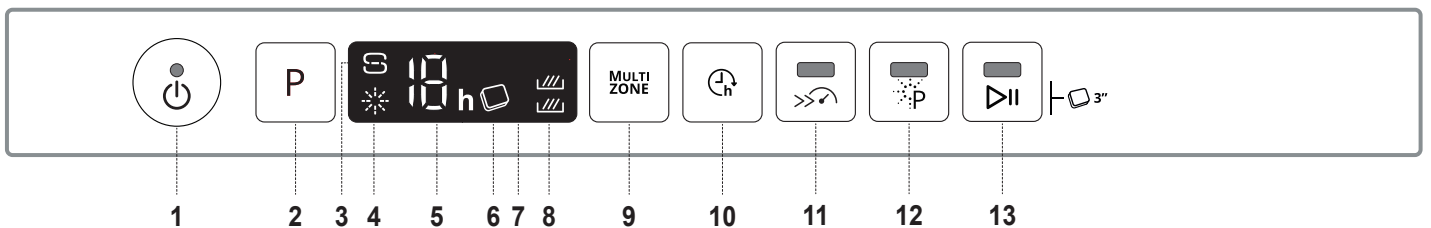
DESCRIPTION DU PRODUIT

APPAREIL



1. Panier supérieur
2. Volets pliables
3. Bouton de réglage de la hauteur du panier supérieur
4. Bras d'aspersion supérieur
5. Panier inférieur
6. Supports PowerClean®
7. Panier à couvert
8. Bras d'aspersion inférieur
9. Ensemble filtre
10. Réservoir à sel
11. Distributeurs de détergent et liquide de rinçage
12. Plaque signalétique
13. Panneau de commande

PANNEAU DE COMMANDE



1. Touche Marche-Arrêt/Réinitialisation avec le voyant
2. Sélecteur de programme
3. Voyant de niveau de sel
4. Voyant de niveau de liquide de rinçage
5. Voyant pour le numéro du programme et le retard réglage
6. Voyant Pastille
7. Affichage
8. Voyant Multizone
9. Touche Multizone
10. Touche Différé
11. Touche Turbo avec le voyant
12. Touche Power Clean® avec le voyant
13. Touche Départ/Pause avec le voyant / Pastille

PREMIÈRE UTILISATION

SEL, LIQUIDE DE RINÇAGE, ET DÉTERGENT


CONSEILS AU SUJET DE LA PREMIÈRE UTILISATION

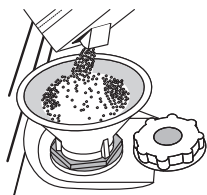
Après l'installation, enlevez les boulons d'arrêt sur les paniers et les éléments élastiques qui retiennent le panier supérieur.

REEMPLIR LE RÉSERVOIR DE SEL

L'utilisation de sel empêche la formation de CALCAIRE sur la vaisselle et sur les composantes fonctionnelles de l'appareil.

- Le **RÉSERVOIR DE SEL NE DOIT JAMAIS ÊTRE VIDE.**
- Il est important de régler la dureté de l'eau.

Le réservoir de sel est situé dans la partie inférieure du lave-vaisselle (voir **DESCRIPTION DU PRODUIT**) et il doit être rempli quand le **voyant NIVEAU DE SEL**  est allumé sur le panneau de commande.



1. Enlevez le panier inférieur et dévissez le bouchon du réservoir (sens antihoraire).
2. La première fois uniquement, vous devez effectuer l'opération suivante : Remplissez d'eau le réservoir à sel.
3. Placez l'entonnoir (voir figure) et remplissez le réservoir de sel jusqu'au bord (environ 1 kg); il est normal qu'un peu d'eau déborde.
4. Enlevez l'entonnoir et essuyez les résidus de sel autour de l'ouverture.

Assurez-vous que le bouchon est bien serré pour éviter que du détergent pénètre dans le réservoir durant le cycle de lavage (le réservoir pourrait s'endommager au point de ne plus être réparable).

Après chaque ajout de sel dans le réservoir, il est obligatoire de lancer immédiatement un cycle de lavage afin d'éviter toute corrosion de la cuve.

RÉGLER LA DURETÉ DE L'EAU

Pour que l'adoucisseur d'eau fonctionne à la perfection, il est important de régler la dureté de l'eau aux conditions existantes dans votre résidence. Cette information peut être obtenue de votre fournisseur d'eau local.

L'usine règle la valeur par défaut de la dureté de l'eau.

- Allumer l'appareil en appuyant sur la touche **MARCHE/ARRÊT**.
- Éteindre l'appareil en appuyant sur la touche **MARCHE/ARRÊT**.
- Appuyer sur la touche **P** pendant 5 secondes ; un bip se fait entendre.
- Allumer l'appareil en appuyant sur la touche **MARCHE/ARRÊT**.
- Le numéro de la sélection actuelle et le voyant de niveau de sel clignotent.
- Appuyer sur la touche **P** pour sélectionner le niveau de dureté désiré (voir **TABLEAU DE DURETÉ DE L'EAU**).

Level	°dH Degrés allemand	°fH Degrés français	°Clark Degrés anglais
1	Très douce	0 - 6	0 - 10
2	Moyenne	7 - 11	11 - 20
3	Douce	12 - 16	21 - 29
4	Dure	17 - 34	30 - 60
5	Très dure	35 - 50	61 - 90

- Éteindre l'appareil en appuyant sur la touche **MARCHE/ARRÊT**. Le réglage est terminé !

Une fois cette opération complétée, lancez un programme sans charger le lave-vaisselle.

Utilisez seulement le sel spécialement conçu pour les lave-vaisselles.

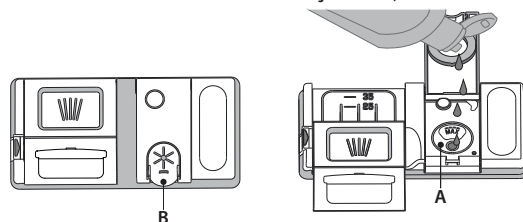
Lorsque le sel est versé dans l'appareil, le voyant AJOUTER DU SEL s'éteint.

Si le contenant de sel n'est pas rempli, l'adoucisseur et l'élément chauffant peuvent être endommagés à cause de l'accumulation de calcaire.

L'utilisation de sel est recommandée avec n'importe quel type de lessive pour lave-vaisselle.

REEMPLIR LE DISTRIBUTEUR DE LIQUIDE DE RINÇAGE

Le liquide de rinçage permet à la vaisselle de SÉCHER plus facilement. Le distributeur de liquide de rinçage **A** devrait être rempli lorsque le **voyant de NIVEAU DE LIQUIDE DE RINÇAGE**  est allumé à l'écran.



1. Ouvrez le distributeur **B** en appuyant et en tirant sur l'onglet sur le couvercle.
2. Versez doucement du liquide de rinçage jusqu'à la marque de référence (110 ml) du réservoir de remplissage - évitez les débordements. Si cela se produit, nettoyez les dégâts immédiatement avec un linge sec.
3. Appuyez sur le bouchon pour le fermer; un clic se fait entendre.

Ne JAMAIS verser le liquide de rinçage directement dans la cuve.

AJUSTER LE DOSAGE DU LIQUIDE DE RINÇAGE

Si vous n'êtes pas complètement satisfait avec le séchage, vous pouvez ajuster la quantité de liquide de rinçage utilisée.

- Allumez le lave-vaisselle en utilisant la touche **MARCHE/ARRÊT**.
- Éteignez-le en utilisant la touche **MARCHE/ARRÊT**.
- Appuyez sur la touche **P** à trois reprises - vous entendrez un bip.
- Allumez-le en utilisant la touche **MARCHE/ARRÊT**.
- Le numéro du niveau de sélection actuelle et le voyant du niveau de liquide de rinçage clignotent.
- Appuyez sur la touche **P** pour sélectionner la quantité de liquide de rinçage qui doit être utilisée.
- Éteignez-le en utilisant la touche **MARCHE/ARRÊT**.

Le réglage est terminé !

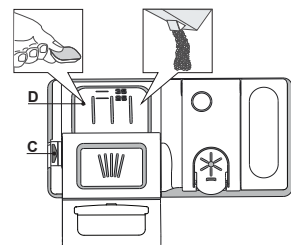
Si le niveau de liquide de rinçage est à ZÉRO (ÉCO), il n'y aura pas de liquide de rinçage distribué. Le voyant LIQUIDE DE RINÇAGE BAS ne s'allumera pas s'il ne reste plus de liquide de rinçage.

Un maximum de 5 niveaux peuvent être réglés selon le modèle du lave-vaisselle. Les réglages d'usine sont spécifiques au modèle, merci de suivre les instructions ci-dessus pour vérifier ceux qui s'appliquent à votre machine.

- Si vous observez des traces bleuâtres sur la vaisselle, placez sur un niveau plus bas (1-2).
- Si vous observez des gouttelettes d'eau ou des traces de calcaire sur la vaisselle, placez sur un niveau plus haut (3-4).

REEMPLIR LE DISTRIBUTEUR DE DÉTERGENT

Pour ouvrir le distributeur de détergent, utilisez le dispositif d'ouverture **C**. Insérez le détergent dans le distributeur sec **D** seulement. Placez la quantité de détergent pour le pré-lavage directement dans la cuve.
















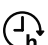





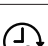

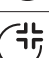




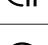


1. Lorsque vous mesurez la lessive, consultez les informations mentionnées précédemment pour ajouter la quantité correcte. À l'intérieur du distributeur **D** se trouvent des indications pour aider au dosage de la lessive.
2. Enlevez les résidus de détergent sur le bord des récipients avant de fermer le couvercle; un clic se fait entendre.
3. Fermez le couvercle du distributeur de détergent en le tirant vers le haut jusqu'à ce que le dispositif soit fermement en place.

Le distributeur de détergent s'ouvre automatiquement, au moment déterminé par le programme. Si vous utilisez un détergent « tout-en-un », nous vous conseillons d'utiliser la touche **PASTILLE**, elle ajuste le programme de façon à toujours obtenir les meilleurs résultats de lavage et séchage.

L'utilisation d'un détergent non-conçu pour les lave-vaisselles peut provoquer un dysfonctionnement ou des dommages à l'appareil.

TABLEAU DES PROGRAMMES

Programme	Séchage	NaturalDry	Options disponibles *)	Durée du programme de lavage (h:min)**)	Consommation d'eau (l/cycle)	Consommation d'énergie (kWh/cycle)	
1. Éco	ECO 50°	✓	✓	  	3:10	9,5	0,75
2. 6 th Sense®	 50-60°	✓	✓	 MULTI ZONE >>>  	1:25 - 3:00	7,0 - 14,0	0,90 - 1,40
3. Intensif	 65°	✓	✓	 MULTI ZONE >>>  	2:50	14,0	1,50
4. Lavage et séchage rapide	 50°	✓	✓	 MULTI ZONE 	1:25	11,5	1,10
5. Cristal	 45°	✓	✓	 MULTI ZONE 	1:40	11,5	1,20
6. Rapide 30'	 50°	-	-	 MULTI ZONE 	0:30	9,0	0,50
7. Silencieux	 50°	✓	✓	 	3:30	15,0	1,15
8. Antibactérien	 65°	✓	-		1:40	10,0	1,30
9. Prélavage	 -	-	-	 MULTI ZONE	0:12	4,5	0,01
10. Autonettoyant	 65°	-	-		0:50	8,0	0,85

Les données du programme Éco sont mesurées sous des conditions en laboratoire conformément à la norme européenne EN 60436:2020.

Note pour les laboratoires d'essai : pour toutes informations sur les conditions d'essai comparatif EN, s'adresser à : dw_test_support@whirlpool.com.
Aucun prétraitement de la vaisselle n'est nécessaire avant l'un quelconque des programmes.

*) Les options ne peuvent pas toutes être utilisées en même temps.

***) Les valeurs indiquées pour des programmes différents du programme Éco sont fournis à titre indicatif uniquement. Le temps réel peut varier selon des facteurs comme la température et la pression de l'eau, la température de la pièce, la quantité de détergent, la quantité et le type de vaisselle, l'équilibre de la charge, les options supplémentaires sélectionnées, et la calibration du capteur. La calibration du capteur peut augmenter la durée du programme jusqu'à 20 minutes.

DESCRIPTION DES PROGRAMMES

Consignes pour la sélection du cycle de lavage.

1 ÉCO

Le programme Eco est adapté pour nettoyer la vaisselle normalement sale, et pour cette utilisation, c'est le programme le plus efficace en termes d'énergie combinée et de consommation d'eau, et il est utilisé pour évaluer la conformité à la législation européenne en matière d'éco-conception.

2 6th SENSE®

Pour la vaisselle normalement sale avec des résidus de nourriture secs. Détermine le degré de saleté de la vaisselle et règle le programme en fonction de celui-ci. Lorsque le capteur détecte le degré de saleté, une animation apparaît sur l'afficheur et la durée du cycle est mise à jour.

3 INTENSIF

Programme conseillé pour une vaisselle très sale, particulièrement adapté pour les poêles et les casseroles (ne pas utiliser avec la vaisselle délicate).

4 LAVAGE ET SÉCHAGE RAPIDE

Vaisselle sale. Cycle quotidien, assure un rendement de nettoyage optimal et des performances de séchage en moins de temps.

5 CRISTAL

Programme pour la vaisselle délicate, plus sensible aux températures élevées, comme les verres et les tasses.

6 RAPIDE 30'

Programme à utiliser pour la demi-charge de vaisselle légèrement sale sans résidus alimentaires séchés. N'a pas de phase de séchage

7 SILENCIEUX

Adéquat lorsque l'appareil fonctionne la nuit. Assure un nettoyage et des performances de séchage optimaux avec les plus faibles émissions de bruit.

8 ANTIBACTÉRIEN

Vaisselle sale ou très sale, avec lavage antibactérien supplémentaire. Peut être utilisé pour effectuer l'entretien du lave-vaisselle.

9 PRÉLAVAGE

Utilisez ce programme pour rafraîchir la vaisselle qui sera lavée plus tard. N'utilisez pas de détergent avec ce programme.

10 AUTONETTOYANT

Programme à utiliser pour effectuer l'entretien du lave-vaisselle, à réaliser uniquement lorsque le lave-vaisselle est VIDE en utilisant des détergents spécifiques conçus pour l'entretien du lave-vaisselle.

Remarques :

Il convient de noter que le cycle Rapide 30' est destiné uniquement à la vaisselle légèrement sale.

OPTIONS ET FONCTIONS

Les OPTIONS peuvent être sélectionnées directement en appuyant sur la touche correspondante (voir PANNEAU DE COMMANDE).

Si une option n'est pas compatible avec le programme sélectionné (voir TABLEAU DES PROGRAMMES), le voyant correspondant clignote 3 fois et un bip se fait entendre. La fonction n'est pas activée.

MULTI ZONE MULTIZONE

S'il n'y a pas beaucoup de vaisselle à laver, la demi-charge peut être utilisée pour économiser de l'eau, de l'électricité, et du détergent.

Sélectionnez un programme et appuyez ensuite sur la touche MULTIZONE: le symbole du panier sélectionné s'affiche à l'écran. Par défaut, l'appareil lave la vaisselle sur tous les paniers. Pour seulement laver la vaisselle sur un panier particulier, appuyez plusieurs fois sur cette touche :



s'affiche à l'écran (panier inférieur seulement)



s'affiche à l'écran (panier supérieur seulement)



s'affiche à l'écran (l'option est ÉTEINTE et l'appareil lave la vaisselle sur tous les paniers).

Chargez seulement le panier supérieur ou inférieur, et réduisez la quantité de détergent en conséquence.

Si le panier supérieur est enlevé, appliquez le détergent directement dans la cuve au lieu du distributeur de détergent.



DIFFÉRÉ

Le début du programme peut être retardé pour une période entre 1 et 12 heures.

1. Appuyez sur la touche DIFFÉRÉ : le symbole «h» correspondant apparaît sur l'écran ; chaque fois que vous appuyez sur la touche, le temps (1 heure, 2 heures, etc. jusqu'à un max de 12 heures) avant le début du cycle de lavage augmente.
2. Sélectionnez le programme de lavage, appuyez sur le bouton DÉPART/PAUSE et dans les 4 secondes, fermez la porte : la minuterie commencera le compte à rebours.
3. Une fois le temps écoulé, le voyant «h» s'éteint et le cycle de lavage démarre.

Pour ajuster le délai et sélectionner une période de temps plus courte, appuyez sur la touche DIFFÉRÉ. Pour l'annuler, appuyez sur la touche à plusieurs reprises pour éteindre le voyant «h» de départ différé sélectionné. Le programme de lavage démarre automatiquement aussitôt que la porte est fermée.

La fonction Différé ne peut pas être réglée une fois que le cycle de lavage a commencé.



TURBO

Cette option permet de réduire la durée des programmes principaux tout en conservant les niveaux de rendement du lavage et du séchage.

Après avoir sélectionné le programme, appuyez sur la touche TURBO et le voyant s'allume. Appuyez de nouveau sur la touche pour annuler l'option.



POWER CLEAN®

Grâce aux jets haute pression supplémentaires, cette option fournit un lavage plus intense et puissant dans le panier inférieur, dans la zone spécifique. Elle est recommandée pour le lavage des poêles et des casseroles. Appuyez sur cette touche pour activer Power Clean (le voyant s'allume).



PASTILLE

Ce réglage vous permet d'optimiser le rendement du programme selon le type de détergent utilisé.

Appuyez sur la touche DÉPART/PAUSE 3 secondes (le symbole correspondant s'allume) si vous utilisez un détergent sous la forme d'une pastille (liquide de rinçage, sel, et détergent en une seule dose).

Si vous utilisez un détergent en poudre ou liquide, cette option devrait être éteinte.



TÉMOIN DE FONCTIONNEMENT

Un voyant LED projeté sur le sol indique que le lave-vaisselle fonctionne. Un des modes de fonctionnement suivant peut être sélectionné :

- a) Fonction désactivée.
- b) Lorsque que le cycle est lancé, le voyant s'allume quelques secondes; il reste éteint durant le cycle, et clignote à la fin du cycle.
- c) Le voyant reste allumé durant le cycle et clignote à la fin du cycle (mode par défaut).

Si le Départ différé est sélectionné, le voyant s'allume durant les premières secondes, ou pour la durée du compte à rebours, selon que le mode b) ou c) ait été réglé.

Le voyant s'éteint chaque fois que la porte est ouverte. Pour sélectionner votre mode préféré, allumez l'appareil, appuyez sur la touche P jusqu'à ce qu'une des trois lettres apparaisse à l'écran, appuyez sur la touche P pour afficher la lettre (mode) désirée, et appuyez de nouveau sur la touche P pour confirmer votre sélection.

Remarque: si NaturalDry est activé et ouvre la porte, l'indicateur de fonctionnement ne clignotera pas à la fin du cycle.

NaturalDry

NaturalDry est un système de séchage à convection qui ouvre automatiquement la porte pendant/après la phase de séchage pour assurer une performance de séchage exceptionnelle chaque jour. La porte s'ouvre à la température qui est sûre pour les meubles de votre cuisine, donc la porte ne sera pas ouverte quand l'option TURBO sera activée.

À titre de protection supplémentaire contre la vapeur, une feuille de protection spécifiquement conçue est ajoutée avec le lave-vaisselle. Pour voir comment monter la feuille de protection, consulter le (GUIDE D'INSTALLATION).

La fonctionnalité NaturalDry pourrait être désactivée par l'utilisateur comme suit:

1. Allez au menu de logiciel du lave-vaisselle en appuyant et en maintenant le bouton P (6 sec).
2. Vous êtes actuellement dans le Menu Contrôle lumineux (consultez la description TÉMOIN DE FONCTIONNEMENT si vous ne voulez rien changer, appuyez sur le bouton P et maintenez-le enfoncé (jusqu'à ce qu'une des deux lettres apparaisse à l'écran).
3. Vous passez au Menu de contrôle NaturalDry, vous pouvez changer d'état de la fonctionnalité NaturalDry en appuyant sur le bouton P:

E – activé

d – désactivé

Pour confirmer le changement et sortir du Menu de Contrôle, appuyez sur le bouton P et le maintenir enfoncé (3 sec).

SNELLE REFERENTIEGIDS HANDLEIDING



DANK U WEL VOOR UW AANKOOP VAN EEN WHIRLPOOL PRODUCT.

Voor verdere assistentie kunt u het apparaat registreren op:
www.whirlpool.eu/register

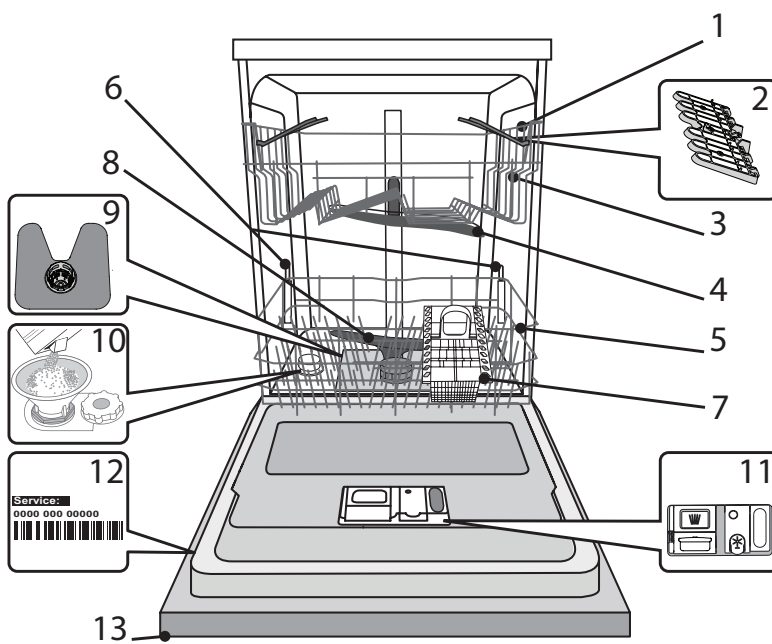


U kunt de Veiligheidsaanwijzingen en de Gebruiker-handleiding, downloaden van onze website docs.whirlpool.eu, volg de Aanwijzingen achteraan deze handleiding.

Voordat u het apparaat gebruikt leest u de Veiligheidsvoorschriften zorgvuldig door.

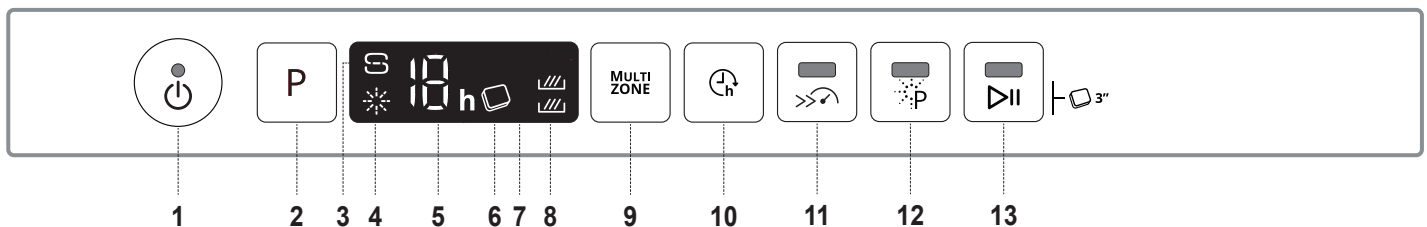
PRODUCTBESCHRIJVING

APPARAAT



1. Bovenste rek
2. Opvouwbare kleppen
3. Afsteller hoogte bovenste rek
4. Bovenste sproeierarm
5. Onderste rek
6. Power Clean®-ondersteuning
7. Bestekkorf
8. Onderste sproeierarm
9. Filtersysteem
10. Zoutreservoir
11. Doseerbakjes vaatwasmiddel en glansspoelmiddel
12. Typeplaatje
13. Bedieningspaneel

BEDIENINGSPANEEL



1. Aan-Uit/Reset-toets met controlelampje
2. Programmakeuzetoets
3. Controlelampje zout bijvullen
4. Controlelampje bijvullen glansspoelmiddel
5. Nummer programma en controlelampje tijd van uitstel
6. Controlelampje tablet (tab)
7. Display
8. Controlelampje Multizone
9. Multizone toets
10. Uitstel toets
11. Turbo toets met controlelampje
12. Power Clean® toets met controlelampje
13. Start/Pauze-toets met controlelampje/ Tablet (Tab)

EERSTE GEBRUIK

ZOUT, GLANSSPOELMIDDEL EN VAATWASMIDDEL

ADVIES MET BETREKKING TOT HET EERSTE GEBRUIK

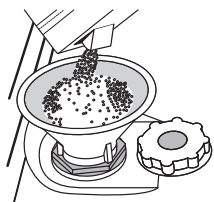
Verwijder na het installeren de stoppen uit de rekken en de elastische borgelementen uit het bovenste rek.

HET ZOUTRESERVOIR BIJVULLEN

MHet gebruik van zout voorkomt de vorming van KALKAANSLAG op het vaatwerk en op de functionele onderdelen van de machine.

- Het is noodzakelijk dat **HET ZOUTRESERVOIR NOOIT LEEG IS**.
- Het is belangrijk dat de hardheid van het water wordt ingesteld.

Het zoutreservoir bevindt zich in het onderste deel van de afwasmachine (zie *PRODUCTBESCHRIJVING*) en moet worden gevuld wanneer het **controlelampje ZOUT BIJVULLEN** in het bedieningspaneel brandt.



1. Verwijder het onderste rek en draai de dop van het reservoir los (linksom).
2. **Alleen de eerste maal dat u dit doet: vul het zoutreservoir met water.**
3. Plaats de trechter (zie afbeelding) en vul het zoutreservoir tot aan de rand (ongeveer 1 kg); het is niet ongebruikelijk dat er een beetje water uit lekt.
4. Verwijder de trechter en veeg alle zoutresten weg van de opening.

Zorg ervoor dat de dop strak is aangedraaid, zodat geen vaatwasmiddel in de container kan komen tijdens het wasprogramma (dit kan de waterontharder onherstelbaar beschadigen).

Wanneer u zout moet toevoegen, is u verplicht om de procedure helemaal uit te voeren alvorens de wascyclus te starten om corrosie te voorkomen.

DE WATERHARDHEID INSTELLEN

Als u de waterontharder perfect wilt laten werken is het essentieel dat de instelling van de waterhardheid is gebaseerd op de werkelijke waterhardheid in uw huis. Deze informatie kan bij uw lokale waterleverancier worden opgevraagd.

De fabriek stelt de defaultwaarde voor de waterhardheid in.

- Het apparaat inschakelen door op de toets **AAN/UIT** te drukken.
- Het apparaat uitschakelen door op de toets **AAN/UIT** te drukken.
- De toets **P** 5 seconden ingedrukt houden totdat u een piep hoort.
- Het apparaat inschakelen door op de toets **AAN/UIT** te drukken.
- Het huidige niveaunummer van de selectie en het controlelampje van het zout knipperen allebei.
- De toets **P** indrukken om het gewenste hardheidsniveau te selecteren (zie *TABEL WATERHARDHEID*).

Tabel waterhardheid			
Niveau	°dH Duitse graden	°fH Franse graden	°Clark Engelse graden
1	Zacht	0 - 6	0 - 10
2	Gemiddeld	7 - 11	11 - 20
3	Gemiddeld	12 - 16	21 - 29
4	Hard	17 - 34	30 - 60
5	Zeer hard	35 - 50	61 - 90

- Het apparaat uitschakelen door op de toets **AAN/UIT** te drukken.

Instellen is voltooid!

Zodra deze procedure voltooid is voert u een programma zonder lading uit.

Gebruik alleen zout dat speciaal voor afwasmachines is bestemd.

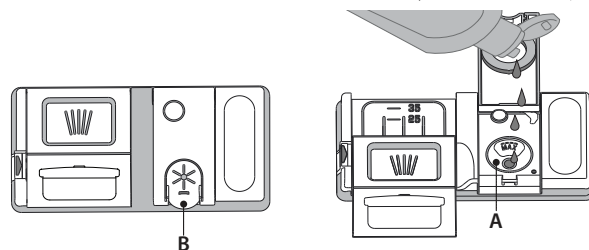
Wanneer het zout in de machine is gestrooid wordt het lampje **ZOUT BIJVULLEN** uitgeschakeld.

Als het zoutreservoir niet gevuld wordt, kunnen de waterverzachter en het verwarmingselement beschadigd raken als gevolg van de accumulatie van ketelsteen.

Het gebruik van zout wordt aanbevolen met elk type vaatwasmiddel.

HET GLANSSPOELMIDDELRESERVOIR BIJVULLEN

Glansspoelmiddel maakt het DROGEN van de vaat gemakkelijker. Het glansspoelmiddelreservoir **A** moet worden gevuld wanneer het **controlelampje GLANSSPOELMIDDEL BIJVULLEN** op het display brandt.



1. Open het doseerbakje B door de tab op het deksel in te drukken en omhoog te trekken.
2. Het glansspoelmiddel zorgvuldig inbrengen tot aan de maximum (110 ml) insteekgleuf van de vulruimte - voorkom morsen. Wanneer dit gebeurt het gemorste glansspoelmiddel onmiddellijk met een droge doek reinigen.
3. Om het te sluiten het deksel naar beneden drukken totdat u een klik hoort.

Het glansspoelmiddel NOOIT rechtstreeks in de kuip gieten.

DE DOSERING GLANSSPOELMIDDEL AANPASSEN

Als u niet volledig tevreden bent over de droogresultaten kunt u de gebruikte hoeveelheid glansspoelmiddel aanpassen.

- De afwasmachine inschakelen met de toets **AAN/UIT**.
- Uitschakelen met de toets **AAN/UIT**.
- Driemaal op de toets **P** drukken - er klinkt een piepton.
- Inschakelen met de toets **AAN/UIT**.
- Het huidige niveaunummer van de selectie en het controlelampje van het glansspoelmiddel knipperen.
- De toets **P** indrukken om het niveau van het te leveren glansspoelmiddel te selecteren.
- Uitschakelen met de toets **AAN/UIT**

Instellen is voltooid!

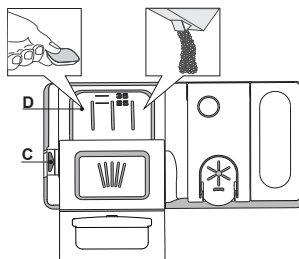
Als het niveau van het glansspoelmiddel is ingesteld op NUL (ECO) zal geen glansspoelmiddel worden afgegeven. Het controlelampje **LAAG GLANSSPOELMIDDEL** zal niet branden als het glansspoelmiddel op is.

Er kan een maximum van 5 niveaus worden ingesteld, afhankelijk van het model afwasmachine. De fabriekinstelling is specifiek voor het model. Volg de bovenstaande instructies om te controleren of dat ook voor uw machine geldt.

- Als u blauwe strepen op het vaatwerk ziet stel dan een laag getal in (1-2).
- Als er druppels water of kalkaanslag op het vaatwerk zijn stel dan een hoog getal in (3-4).

HET VAATWASMIDDELDOSEERBAKJE VULLEN

Gebruik de opening apparaat C om het vaatwasmiddeldoseerbakje te openen. Het vaatwasmiddel alleen in het droge doseerbakje D invoeren. Plaats de hoeveelheid vaatwasmiddel voor voorspoelen direct in de kuip.



1. Raadpleeg bij het afmeten van het vaatwasmiddel de eerder vermelde informatie om de juiste hoeveelheid toe te voegen. In het doseerbakje **D** vindt u de aanwijzingen voor het doseren van het vaatwasmiddel.
2. Verwijder de resten vaatwasmiddel van de randen van het doseerbakje en sluit het deksel totdat het klikt.
3. Sluit het deksel van het vaatwasmiddeldoseerbakje door het omhoog te trekken tot het sluitingsmechanisme is vastgezet.

Het vaatwasmiddeldoseerbakje opent automatisch op het juiste moment, volgens het programma. Bij gebruik van alles-in-één vaatwasmiddelen is het raadzaam om de toets **TABLET** te gebruiken, omdat het programma dan zodanig wordt aangepast dat de beste was- en droogresultaten worden bereikt.

Het gebruik van vaatwasmiddelen die niet bedoeld zijn voor vaatwasmachines kan de slechte werking van het apparaat veroorzaken of het beschadigen.

PROGRAMMATABEL

Programma	Drogen fase	NaturalDry	Beschikbare functies *)	Duur van wasprogramma (h:min)*)	Waterverbruik (liter/ cyclus)	Energieverbruik (kWh/ cyclus)
1. Eco ECO 50°	✓	✓		3:10	9,5	0,75
2. 6 th Sense 6 th sense 50-60°	✓	✓		1:25 - 3:00	7,0 - 14,0	0,90 - 1,40
3. Intensief 65°	✓	✓		2:50	14,0	1,50
4. Snel wassen en drogen 50°	✓	✓		1:25	11,5	1,10
5. Kristallen 45°	✓	✓		1:40	11,5	1,20
6. Snel 30' 50°	-	-		0:30	9,0	0,50
7. Stil 50°	✓	✓		3:30	15,0	1,15
8. Desinfecterende 65°	✓	-		1:40	10,0	1,30
9. Voorspoelen -	-	-		0:12	4,5	0,01
10. Zelfreinigend 65°	-	-		0:50	8,0	0,85

De gegevens van het ECO-programma worden gemeten onder laboratoriumomstandigheden, volgens de Europese norm EN 60436:2020.

Aanwijzing voor de Proeflaboratoria: Voor gedetailleerde informatie over de omstandigheden van de EN-vergelijkingstest kunt u contact opnemen met: dw_test_support@whirlpool.com

Voorbehandeling van het vaatwerk vóór de programma's is niet nodig.

*) Niet alle opties kunnen tegelijkertijd gebruikt worden.

**) Waarden aangegeven voor andere programma's dan het Eco-programma zijn slechts indicatief. De werkelijke tijd is afhankelijk van vele factoren, zoals de temperatuur en de druk van het toevoerwater, de kamertemperatuur, hoeveelheid vaatwasmiddel, de hoeveelheid en soort lading, evenwicht van de lading, extra gekozen opties en de kalibratie van de sensor. De kalibratie van de sensor kan de duur van het programma met max. 20 min. verlengen.

BESCHRIJVING PROGRAMMA'S

Instructies over het selecteren van het wasprogramma.

1 ECO

Het Eco-programma is geschikt voor het reinigen van normaal vervuild vaatwerk, dat voor dit gebruik het meest efficiënte programma is wat betreft de combinatie van energie- en waterverbruik en in overeenstemming is met de Europese Ecodesign-wetgeving.

2 6th SENSE

Voor normaal vervuilde vaat met opgedroogde etensresten. Meet de mate van vervuiling van het serviesgoed af en past het programma dienovereenkomstig aan. Wanneer de sensor de mate van vervuiling meet, verschijnt er een animatie in de display en wordt de cyclusduur aangepast.

3 INTENSIEF

Aanbevolen programma voor sterk vervuild serviesgoed, met name geschikt voor pannen en koekenpannen (mag niet gebruikt worden voor kwetsbare stukken).

4 SNEL WASSEN EN DROGEN

Normaal vervuild serviesgoed. Dagelijkse cyclus, die een optimale reinigende en drogende werking in kortere tijd garandeert.

5 KRISTALLEN

Programma voor kwetsbare stukken die gevoeliger zijn voor hoge temperaturen, bijvoorbeeld glazen en kopjes.

6 SNEL 30'

Programma dat kan worden gebruikt voor een halve lading licht vervuilde vaat zonder opgedroogde etensresten. Heeft geen droogfase.

7 STIL

Geschikt voor werking van het apparaat in de nacht. Garandeert een optimale reinigende en drogende werking met de laagste geluidsemisatie.

8 DESINFECTERENDE

Normally or heavily soiled crockery, with additional antibacterial wash. Can be used to perform maintenance of the dishwasher.

9 VOORSPOELEN

Gebruikt om servies vochtig te houden dat later gewassen moet worden. Met dit programma wordt er geen vaatwasmiddel gebruikt.

10 ZELFREINIGEND

Programma te gebruiken voor het onderhoud van de afwasmachine, wordt enkel uitgevoerd wanneer de afwasmachine LEEG is met gebruik van specifieke reinigingsmiddelen die speciaal ontworpen zijn voor het onderhoud van de afwasmachine

Opmerkingen:

Gelieve er rekening mee te houden dat de cyclus Snel 30' bedoeld is voor licht vervuilde vaat.

OPTIES EN FUNCTIE

OPTIES kunnen direct worden geselecteerd door het indrukken van de daarbij behorende toets (zie *BEDIENINGSPANEEL*).

Als een optie niet compatibel is met het geselecteerde programma (zie *PROGRAMMATABEL*) gaat de bijbehorende LED 3 keer snel knipperen en klinken er pieptonen. De optie wordt niet ingeschakeld.

MULTI ZONE MULTIZONE

Als er niet veel vaatwerk is kan er een programma «halve lading» worden gebruikt, om water, elektriciteit en vaatwasmiddel te besparen.

Selecteer het programma en druk daarna op de MULTIZONE-toets: het symbool van het gekozen rek verschijnt op het display. Standaard wast het apparaat vaatwerk in alle rekken. Druk herhaaldelijk op deze toets om alleen in een bepaald rek af te wassen:



verschijnt op het display (alleen onderste rek)



verschijnt op het display (alleen bovenste rek)



verschijnt op het display (optie is uitgeschakeld en het apparaat wast het vaatwerk in alle rekken).

Vergeet niet om alleen het bovenste of onderste rek te laden en de hoeveelheid vaatwasmiddel dienovereenkomstig te verlagen. Als het bovenste rek is verwijderd, breng dan het vaatwasmiddel rechtstreeks in de kuip aan in plaats van in het vaatwasmiddelreservoir.



UITSTEL

De starttijd van het programma kan worden uitgesteld voor een periode tussen **1** en **12** uur.

1. De UITSTEL-toets indrukken: het overeenkomstige symbool «h» verschijnt op het display; telkens wanneer u de toets indrukt zal de tijd (1u, 2u, enz. tot max. 12 u) vanaf het begin van het geselecteerde wasprogramma worden verhoogd.
2. Kies het wasprogramma, druk op de toets START/PAUZE en sluit binnen 4 seconden de deur: de timer begint met aftellen.
3. Wanneer de tijd verstreken is, wordt het controlelampje «h» uitgeschakeld en begint het wasprogramma.

Druk op de UITSTEL-toets om de uitsteltijd aan te passen en een kortere periode te selecteren. Om te wissen, druk de toets herhaaldelijk in totdat het controlelampje «h» van de gekozen uitstelstart wordt uitgeschakeld.

Wanneer er een wasprogramma is gestart, kan de UITSTEL-functie niet meer worden ingesteld.



TURBO

Deze optie kan worden gebruikt om de duur van de hoofdprogramma's te verlagen, met behoud van dezelfde was- en droogprestaties.

Druk na het selecteren van het programma op de TURBO-toets en het controlelampje wordt ingeschakeld. Druk dezelfde toets opnieuw in om de optie uit te schakelen.



POWER CLEAN®

Dankzij de extra krachtige stralen biedt deze functie een intensievere en krachtigere afwasprogramma op de betreffende plek in het onderste rek. Deze functie wordt aanbevolen voor het afwassen van pannen en ovenschalen. Druk op deze toets om POWER CLEAN te activeren (het controlelampje gaat branden).



TABLET (Tab)

Met deze instelling kan de prestatie van het programma geoptimaliseerd worden, aan de hand van het afwasmiddel dat gebruikt wordt.

Druk de toets START/PAUZE gedurende 3 seconden in (het bijbehorende symbool gaat branden) als u gecombineerde vaatwasmiddelen in tabletvorm gebruikt (glansspoelmiddel, zout en wasmiddel in 1 dosis).

Als u poeder of vloeibaar afwasmiddel gebruikt moet deze optie worden uitgeschakeld.



BEDRIJFSCONTROLELAMPJE

Er wordt LED-licht op de vloer geprojecteerd om aan te geven dat de afwasmachine in bedrijf is. Er kan een van de volgende bedrijfsmodussen worden geselecteerd:

- a) Uitgeschakelde functie.
- b) Wanneer de cyclus begint gaat het licht een paar seconden aan, blijft tijdens de cyclus uit en knippert op het einde van de cyclus.
- c) Het licht blijft tijdens de cyclus branden en knippert op het einde van de cyclus (standaard modus).

Als de uitgestelde start was ingesteld gaat het licht voor de eerste paar seconden aan of voor de gehele duur van het aftellen, op basis van of de modus b) of c) was ingesteld.

Telkens wanneer de deur wordt geopend gaat het licht uit. Voor het selecteren van de gewenste modus de machine inschakelen, de toets **P** ingedrukt houden totdat een van de drie letters op het display verschijnt, de toets **P** indrukken totdat u de gewenste letter (of modus) bereikt, de toets **P** i.

Opmerking: Als NaturalDry actief is en de deur opent, zal de werkingsindicator niet knipperen aan het einde van de cyclus.

NaturalDry

NaturalDry is een convectiedroogstelsel dat de deur tijdens/na de droogfase automatisch opent om elke dag voor buitengewone droogprestaties te zorgen. De deur gaat open wanneer de temperatuur veilig is voor uw keukenmeubelen, de deur gaat bijgevolg niet open wanneer de optie TURBO ingeschakeld is.

Als extra bescherming tegen stoom wordt een speciaal ontworpen beschermingsfolie geleverd met de vaatwasser. Raadpleeg de *INSTALLATIEGIDS* om te zien hoe u de beschermingsfolie aanbrengt.

De *NaturalDry*-functie kan door de gebruiker als volgt worden uitgeschakeld:

1. Ga naar het software-menu van de afwasmachine door de knop **P** ingedrukt te houden (6 sec).
2. U bevindt zich eerst in het lichtregelingsmenu (raadpleeg de beschrijving van *BEDRIJFSCONTROLELAMPJE*). Als u niets wilt wijzigen, houd dan de knop **P** ingedrukt (tot een van de twee letters op het display verschijnt).
3. U bent overgeschakeld naar het *NaturalDry*-bedieningsmenu. U kunt de status van de *NaturalDry*-functionaliteit wijzigen door op de knop **P** te drukken:
E – ingeschakeld **d** – uitgeschakeld

Om de wijziging te bevestigen en het bedieningsmenu te verlaten, houd de knop **P** ingedrukt (3 sec).

DAGLIG REFERANSE -VEILEDNING



**MANGE TAKK FOR AT DU HAR KJØPT ET
WHIRLPOOL-PRODUKT.**

For å motta assistanse som er mer fullstendig, må du registrere apparatet ditt på www.whirlpool.eu/register

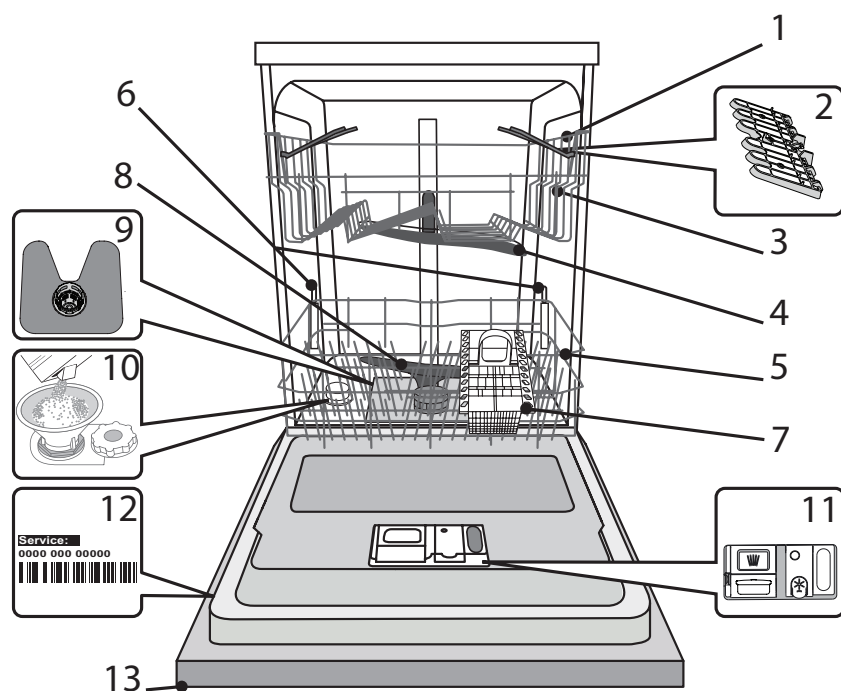


Du kan laste ned Sikkerhetsinstruksene og Bruerveiledningen, ved å besøke vårt nettsted docs.whirlpool.eu og følge instruksene bakerst i dette heftet.

Les nøye Sikkerhets instruksene før du tar i bruk apparatet.

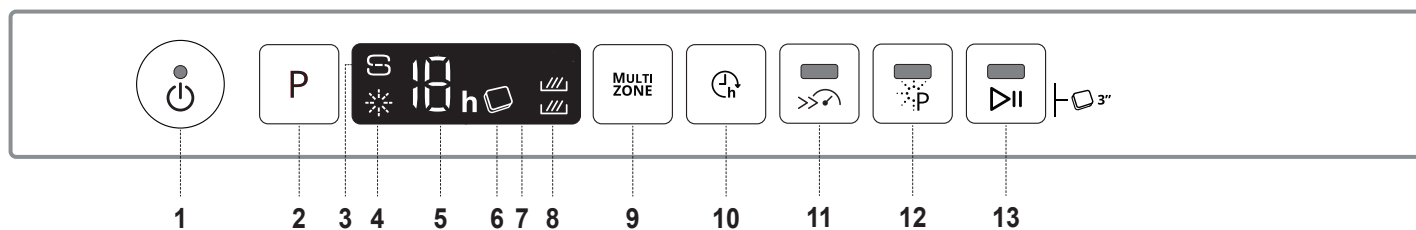
PRODUKTBEKRIVELSE

APPARAT



1. Øvre kurv
2. Nedfellbare klaffer
3. Høydeinnstilling øvre kurv
4. Øvre dusjarm
5. Nedre kurv
6. Power Clean®-støtte
7. Bestikkurv
8. Nedre dusjarm
9. Filterenhet
10. Saltbeholder
11. Dispenser for oppvaskmiddel og skyllemiddel
12. Typeplate
13. Betjeningspanel

BETJENINGSPANEL



1. På-Av/Reset knapp med indikatorlampe
2. Knapp for valg av program
3. Indikatorlampe for påfylling av salt
4. Indikatorlampe for påfylling skyllemiddel
5. Programnummer og indikator for utsatt tid
6. Indikatorlampe for Tablet
7. Display
8. Indikatorlampe Multizone
9. Knapp for Multizone
10. Knapp for utsatt start
11. Turbo knappe med indikatorlampe
12. Power Clean® knappe med indikatorlampe
13. Start/Pause knappe med indikatorlampe/ Tablet (Tab)

FØRSTE GANGS BRUK

SALT, SKYLLEMIDDEL OG OPPVASKMIDDEL

RÅD MED HENSYN TIL FØRSTE GANGS BRUK

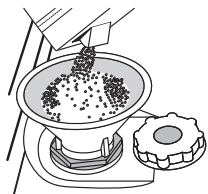
Etter installasjonen, må sperrene fra kurvene og strikkene som holder elementene fra den øvre kurven fjernes.

FYLLING AV SALTBEHOLDEREN

Salt benyttes for å hindre at det skal danne seg KALK på serviset og på maskinens funksjonsdeler.

- Det er obligatorisk at **SALTBEHOLDEREN ALDRI ER TOM**.
- Det er svært viktig å stille inn vannets hardhet.

Saltbeholderen er plassert i den nedre delen av oppvaskmaskinen (se *PRODUKTBESKRIVELSE*) og må fylles på når **indikatorlampen for PÅFYLLING AV SALT** på kontrollpanelet tennes.



1. Fjern den nederste kurven og skru løs beholderens lokk (mot urviserne).
2. **Kun første gang du gjør dette: fyll saltbeholderen med vann.**
3. Plasser trakten (se figuren) og fyll på saltbeholderen helt til saltet når opp til kanten (omtrent 1 kg); det er ikke unormalt at det renner over litt vann.
4. Fjern trakten og fjern saltet som eventuelt ligger igjen rundt åpningen.

Påse at lokket er skrudd godt til, slik at ikke vaskemiddel trenger ned i beholderen mens vaskesprogrammet pågår (dette kan føre til ubøtelig skade på kalkfilteret).

Når det er nødvendig å fylle på salt, må prosedyren fullføres før en starter vaskesyklusen for å unngå korrosjon.

INNSTILLING AV VANNETS HARDHET

For at kalkfilteret skal kunne arbeidet på riktig måte, er det viktig at innstillingen av vannets hardhet er basert på den faktiske hardheten i vannet til husholdningen. Denne informasjonen vil du få hos din lokale vannleverandør.

Fabrikkten stiller inn en default-verdi for vannets hardhet.

- Slå på apparatet ved å trykke på **PÅ/AV** knappen.
- Slå av apparatet ved å trykke på **PÅ/AV** knappen.
- Hold nede knappen **P** i 5 sekund til du hører et pipe-signal.
- Slå på apparatet ved å trykke på **PÅ/AV** knappen.
- Både nummeret for valgt hardhetsnivå og indikatorlampen for salt blinker.
- Trykk på knappen **P** for å velge ønsket nivå for hardhet (se *TABELL FOR VANNETS HARDHETSNIVÅ*).

Tabell for Vannets hardhet				
Nivå	°dH		°Clark	
	Tyske grader	Franske grader	Engelske grader	
1	Bløtt	0 - 6	0 - 10	0 - 7
2	Middels hardt	7 - 11	11 - 20	8 - 14
3	Gjennomsnittlig	12 - 16	21 - 29	15 - 20
4	Hardt	17 - 34	30 - 60	21 - 42
5	Svært hardt	35 - 50	61 - 90	43 - 62

- Slå av apparatet ved å trykke på **PÅ/AV** knappen.

Innstillingen er fullført!

Når du har gjort dette må du kjøre et program uten å laste oppvaskmaskinen.

Bruk kun salt som er spesielt beregnet på oppvaskmaskiner.

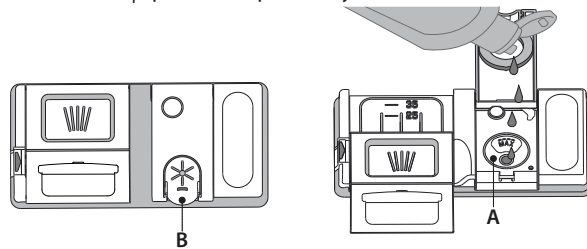
Etter at du har tømt salt ned i maskinen slukkes indikatorlampen for PÅFYLLING AV SALT.

Dersom en ikke fyller på saltbeholderen kan dette resultere i at vannmykneren og varmeelementet skades som følge av kalkdannelse.

Bruken av salt anbefales uansett hvilken type oppvaskmiddel som benyttes.

FYLLING AV DISPENSER MED SKYLLEMIDDEL

Skyllmiddel gjør at serviset TØRKER lettere. Dispenseren for skyllmiddel **A** bør etterfylles når **indikatorlampen for ETTERFYLLING AV SKYLLEMIDDEL** på kontrollpanelet lyser.



1. Åpne dispenseren **B** ved å trykke og dra klaffen på dekselet oppover.
2. Hell forsiktig i skyllmiddelet helt til det når merket for maksimalt nivå (110 ml) for etterfylling - ikke søl. Dersom du søler, må du øyeblikkelig tørke med en tørr klut.
3. Trykk klaffen nedover til du hører et klikk for å lukke den.

Du må ALDRI tømme skyllmiddel direkte over i oppvaskmaskinen.

JUSTER DOSERINGEN AV SKYLLEMIDDEL

Dersom du ikke er helt fornøyd med tørkeresultatet, kan du justere mengden med skyllmiddel som er brukt.

- Slå på oppvaskmaskinen ved å trykke på **PÅ/AV** knappen.
- Slå av ved å bruke **PÅ/AV** knappen.
- Trykk på knappen **P** tre ganger - du vil høre en pipelyd.
- Slå det på ved å bruke **PÅ/AV** knappen.
- Både nummeret for valgt nivå og indikatorlampen for skyllmiddel blinker.
- Trykk på knappen **P** for å velge nivået for mengde skyllmiddel som skal etterfylles.
- Slå av ved å bruke **PÅ/AV** knappen.

Innstillingen er fullført!

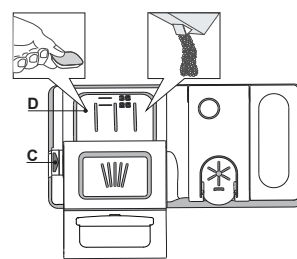
Dersom nivået for skyllmiddel er stilt inn på NULL (ECO), fylles det ikke på skyllmiddel. Indikatorlampen for LAVT NIVÅ AV SKYLLEMIDDEL tennes ikke dersom det går tomt for skyllmiddel.

Det kan maksimalt stilles inn 5 nivå avhengig av oppvaskmaskinens modell. Fabrikkinnstillingen er spesifikk for modellen, vennligst følg instruksene ovenfor for å sjekke dette for maskinen din.

- Dersom du ser blåaktige streker på tallerkenene, må du stille inn på et lavere nummer (1-2).
- Dersom det er vandrdåper eller kalkmerker på tallerkenene, må du stille inn et høyere nummer (3-4).

FYLLING AV DISPENSER FOR OPPVASKMIDDEL

For å åpne oppvaskmiddeldispenseren bruk innretningen for åpning C. Hell oppvaskmiddel kun i den tørre dispenseren D. Legg mengden oppvaskmiddel for forvask direkte inn i oppvaskmaskinen.



1. Når du måler oppvaskmiddelet, se informasjonen som er nevnt over, for å tilføre riktig mengde. Inne i beholder **D** finnes det anvisninger som kan hjelpe deg med å dosere oppvaskmiddelet.
2. Fjern rester etter oppvaskmiddel fra kantene på dispenseren og lukk igjen dekselet helt til det klikker på plass.
3. Lukk dekselet til dispenseren med oppvaskmiddel ved å dra det opp til anordningen for sperre er festet på plass.

Oppvaskmiddel dispenseren åpner seg automatisk til rett tid avhengig av programmet.

Dersom du bruker oppvaskmiddel av typen alt-i-ett, tilråder vi deg å bruke **TABLET** knappen, fordi den tilpasser programmet slik at optimalt vask- og tørkeresultat alltid oppnås.

Dersom en bruker vaskemiddel som ikke er beregnet på oppvaskmaskiner kan dette føre til at maskinen ikke vasker som den skal eller skade apparatet.

PROGRAMTABELL

Program	Tørkefase	NaturalDry	Available options *)	Vaskesyklusens varighet (h:min)**)	Vannforbruk (l/syklus)	Energiforbruk (kWh/syklus)	
1. Øko	ECO 50°	✓	✓		3:10	9,5	0,75
2. 6th Sense®	50-60°	✓	✓	MULTI ZONE >>	1:25 - 3:00	7,0 - 14,0	0,90 - 1,40
3. Intensiv	65°	✓	✓	MULTI ZONE >>	2:50	14,0	1,50
4. Hurtig Vas&Tørk	50°	✓	✓	MULTI ZONE	1:25	11,5	1,10
5. Krystall	45°	✓	✓	MULTI ZONE	1:40	11,5	1,20
6. Hurtig 30'	50°	-	-	MULTI ZONE	0:30	9,0	0,50
7. Stille	50°	✓	✓		3:30	15,0	1,15
8. Desinfiserende	65°	✓	-		1:40	10,0	1,30
9. Forvask	-	-	-	MULTI ZONE	0:12	4,5	0,01
10. Selv-rensende	65°	-	-		0:50	8,0	0,85

ØKO program data er målt i henhold til betingelsene i et laboratorium i henhold til Europeisk Standard EN 60436:2020.

Merknad for testlaboratoriene: Opplysninger om betingelsene for EN-sammenligningstesten kan fås ved å sende en forespørsel til e-postadresse: dw_test_support@whirlpool.com

Forhåndsbehandling av tallerkenene er ikke nødvendig for noen av programmene.

*) Ikke alle opsjonene kan benyttes samtidig.

***) Verdiene som er oppgitt for programmene bortsett for Øko-programmet er kun veiledende. Den virkelige tiden kan variere avhengig av forskjellige faktorer som temperatur og trykket i vanntilførselen, romtemperatur, mengden oppvaskmiddel, mengde og type last, lastens fordeling, ekstra opsjoner som er valgt og sensors justering. Sensors justering kan forlenge programmets varighet med opp til 20 min.

PROGRAMBESKRIVELSE

Instrukser for valg av program.

1 ØKO

Øko-programmet egner seg for å vaske normalt skittent servise, og for denne bruken er det det mest effektive programmet med hensyn til energi- og vannforbruk. Det er brukt for å vurdere overensstemmelsen med EU sin Ecodesign lovgivning.

2 6th SENSE®

For normalt skitne tallerkener med tørre matrester. Registrerer hvor skitten oppvasken er, og justerer programmet etter dette. Når sensoren registrerer skittenhetsnivået, vises en animasjon på displayet og syklusens varighet oppdateres.

3 INTENSIV

Program som anbefales for svært skittent servise, spesielt beregnet på kokekar og suppekjeler (må ikke benyttes for ømfintlige gjenstander).

4 HURTIG VAS&TØRK

Normalt skittent servise. Syklus som benyttes i hverdagen, som sikrer optimal rengjøring på kortere tid.

5 KRYSTALL

Syklus for ømfintlige gjenstander, som er følsomme for høye temperaturer, for eksempel glass og kopper.

6 HURTIG 30'

Program som kan benyttes for halv last og mindre skitne tallerkener uten tørre matrester. Har ikke tørkefase.

7 STILLE

Egnet når apparatet går om natten. Du er sikret et optimalt vaskeresultat.

8 DESINFISERENDE

Normalt eller svært skittent servise med antibakterielt vaskeprogram. Kan benyttes for å utføre vedlikehold av oppvaskmaskinen.

9 FORVASK

Brukt til å friske opp servise som en har planer om å vaske senere. Ingen oppvaskmiddel skal brukes med dette programmet.

10 SELV-RENSENDE

Program som skal benyttes for å utføre vedlikehold av oppvaskmaskinen, må kun utføres når oppvaskmaskinen er TOM ved å benytte egne vaskemiddel spesielt beregnet på vedlikehold av oppvaskmaskinen.

Anmerkninger:

Vennligst merk deg at syklusen *Hurtig 30'* egner seg for mindre skitne tallerkener.

OPSJONER OG FUNKSJONER

OPSJONER kan velges ved å trykke direkte på den tilhørende knappen (se *KONTROLLPANEL*).

Dersom en opsjon ikke er kompatibel med den valgte programmet see *PROGRAMTABELLEN*, vil tilhørende LED blinke hurtig 3 ganger og du vil høre en pipe-lyd. Opsjonen vil ikke være tilgjengelig.

MULTI ZONE MULTIZONE

Dersom det ikke er så mange kopper som skal vaskes, kan du benytte en syklus for halv vaskemengde, så sparer du vann, elektrisitet og vaskemiddel.

Velg programmet og trykk deretter på MULTIZONE- knappen: symbolet for valgt kurv kommer til syne på display. Som default vasker apparatet tallerkener i alle kurvene.

For å vaske kun i en spesiell kurv, trykk på denne knappen gjentatte ganger:



vist på display (kun nedre kurv)



vist på display (kun øvre kurv)



vist på display (opsjonen er OFF og apparatet vil vaske tallerkenene i alle kurvene).

Husk å stable kun i den øvre eller nedre kurven, og å redusere mengden av vaskemiddel etter dette.

Dersom den øvre kurven fjernes, vennligst ha oppvaskmiddelet direkte i karet i stedet for vaskemiddel-dispenseren.



UTSETTELSE

Tidspunktet for start av programmet kan utsettes i en periode som varierer mellom **1** og **12** timer.

1. Trykk på knappen for UTSETTELSE: det tilhørende symbolet „h” vises på display; hver gang du trykker på knappen, vil tiden (1 h, 2 h, osv. opp til maks. 12 h) fra start av den valgte vaskesyklusen øke.
2. Velg vaskeprogrammet, trykk på START/Pause knappen og lukk døren innen 4 sekunder: Timer vil begynne nedtellingen.
3. Når denne tiden er utløpt, slår indikatorlampen „h” seg av og vaskesyklusen starter.

For å tilpasse tiden for utsatt start og velge en kortere tidssperiode, trykk på knappen for Utsettelse. For å slette den, trykk gjentatte ganger på knappen helt til varselampen „h” for utsatt start slår seg av.

Funksjonen for UTSETTELSE kan ikke stilles inn etter at programmet har startet.



TURBO

Denne opsjonen kan benyttes for å redusere varigheten til hovedprogrammene mens samme nivå for vaske- og tørkeytelser opprettholdes.

Etter at du har valgt programmet, trykk på Turbo-knappen og varselampen tennes. For å velge bort opsjonen, trykk på den samme knappen igjen.



POWER CLEAN®

De ekstra dysene gjør at dette tilvalget gir mer intensiv og kraftig vask i den nedre kurven, i det bestemte området. Denne opsjonen anbefales for vask av gryter og panner. Trykk på denne knappen for å aktivere POWER CLEAN (indikatoren lyser).



TABLETT (Tab)

Med denne innstillingen lar kan du optimalisere ytelsen til programmet avhengig av hvilken type vaskemiddel som brukes. Trykk på START/Pause- knappen i 3 sekund (det tilhørende symbolet tennes) dersom du bruker et kombinert oppvaskmiddel i tablett-form (skyllemiddel, salt og oppvaskmiddel i 1 dose).

Hvis du bruker pulver eller flytende vaskemiddel, bør denne tilleggsfunksjonen være slått av.



DRIFTSINDIKATOR

En LED-lampe som lyser i bunnen indikerer at oppvaskmaskinen er i drift. En av de følgende driftsmodusene kan velges:

- a) Deaktivert funksjon.
- b) Når syklusen starter tennes lyset i noen få sekund, det er slukket mens syklusen er under utførelse og det blinker når syklusen er avsluttet.
- c) Lyset er tent mens syklusen utføres og det blinker når syklusen er avsluttet (default modus).

Dersom Utsatt start ble valgt, tennes lyset enten i løpet av de første sekundene eller så lenge nedtellingen pågår, avhengig av om modus b) eller c) ble stilt inn.

Lyset slukker hver gang døren åpnes. For å velge modusen du foretrekker, slå på maskinen, hold nede knappen **P** helt til én av de tre bokstavene kommer til syne på display, trykk på knappen **P** helt til du når ønsket bokstav (eller modus), hold nede knappen **P** for å bekrefte valget.

Merk: Dersom NaturalDry er aktiv og den åpner døren, vil ikke Driftsindikatoren blinker ved avsluttet syklus.

NaturalDry

NaturalDry er et konveksjonstørkingsystem som automatisk åpner døren under / etter tørkefasen for å sikre optimal tørkeytelse hver dag. Døren åpnes ved en temperatur som er sikker for kjøkkeninnredningen, dermed vil ikke døren åpnes når opsjonen TURBO er på.

Som ekstra beskyttelse mot damp, følger spesialdesignet beskyttelsesfolie sammen med oppvaskmaskinen. Vennligst se (INSTALLASJONSVEILEDNINGEN) for hvordan beskyttelsesfolie skal monteres.

NaturalDry-funksjonen kan deaktiveres av brukeren på følgende måte:

1. Gå til oppvaskmaskinens programvaremeny og trykk og hold nede knappen **P** (6 sek).
2. Du befinner deg når i menyen for lyskontroll (vennligst se beskrivelsen DRIFTSINDIKATOR), trykk og hold nede knappen **P** (helt til én av de to bokstavene vises på display) dersom du ikke ønsker å endre noe.
3. Du skiftet til NaturalDry-kontrollmenyen, du kunne skifte status til NaturalDry-funksjonen ved å trykke på knappen **P**:

E – aktivert **d** – deaktivert

For å bekrefte endringen og gå ut av Kontrollmenyen, vennligst trykk og hold nede knappen **P** (3 sek).

INSTRUKCJA CODZIENNEJ EKSPLOATACJI



DZIĘKUJEMY ZA ZAKUP PRODUKTU WHIRLPOOL.
Aby uzyskać kompleksową pomoc, prosimy zarejestrować urządzenie na stronie: www.whirlpool.eu/register

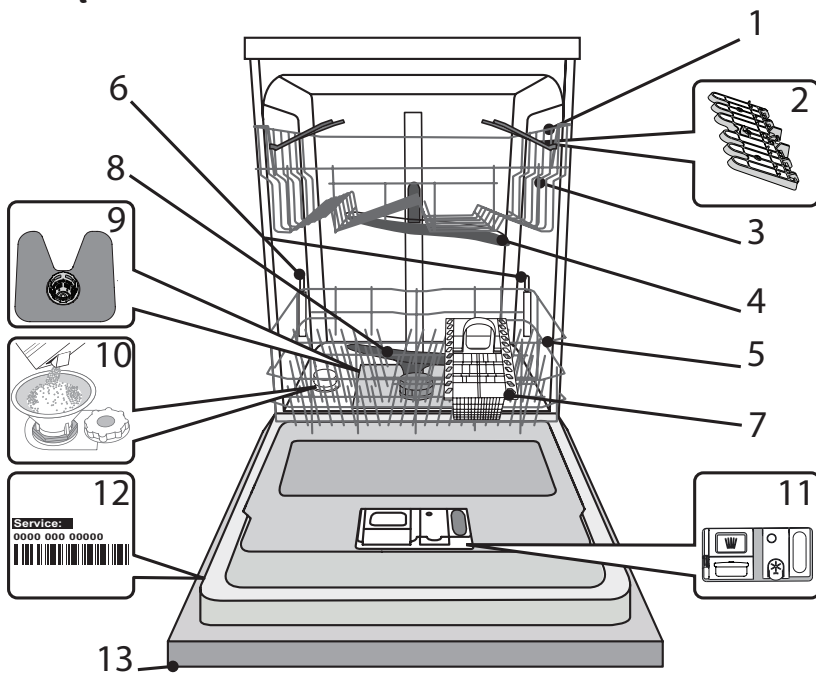


Instrukcję bezpieczeństwa oraz Podręcznik użytkownika, można pobrać z naszej strony internetowej docs.whirlpool.eu; należy postępować zgodnie z zaleceniami opisanymi na odwrocie niniejszej książeczki.

Przez użyciem urządzenia przeczytać uważnie Instrukcję bezpieczeństwa.

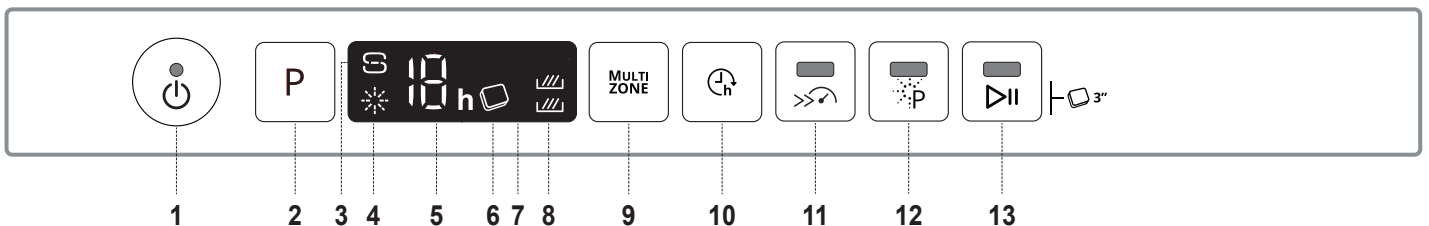
OPIS PRODUKTU

URZĄDZENIE



1. Górny kosz
2. Składane półeczki
3. Regulator wysokości górnego kosza
4. Górne ramię natryskowe
5. Dolny kosz
6. Wsporniki PowerClean®
7. Koszyk na sztućce
8. Dolne ramię natryskowe
9. Zespół filtra
10. Zbiornik soli
11. Dozowniki detergentu i płynu nablyszczającego
12. Tabliczka znamionowa
13. Panel sterowania

PANEL STEROWANIA



1. Przycisk i kontrolka Wł.-Wył./Reset
2. Przycisk wyboru programu
3. Kontrolka „Brak soli”
4. Kontrolka „Brak płynu nablyszczającego”
5. Numer programu i wskaźnik „Opóźnienia”
6. Kontrolka „Tabletki”
7. Wyświetlacz
8. Kontrolka „Multizone”
9. Przycisk „Multizone”
10. Przycisk „Opóźnienie”
11. Przycisk i kontrolka „Turbo”
12. Przycisk i kontrolka „Power Clean®”
13. Przycisk i kontrolka „START/Pauza” / „Tabletka (Tab)”

PIERWSZE UŻYCI SÓL DO ZMYWAREK, DODATKI DO PŁUKANIA I DETERGENT

WSKAZÓWKI DOTYCZĄCE PIERWSZEGO UŻYCIA URZĄDZENIA

Po zainstalowaniu urządzenia należy wyjąć ograniczniki z koszy oraz elastyczne elementy mocujące z górnego kosza.

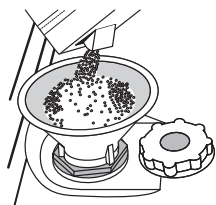
NAPEŁNIANIE ZBIORNIKA SOLI

Zastosowanie soli zapobiega tworzeniu się KAMIENIA na naczyńach i funkcjonalnych podzespołach zmywarki.

- Konieczne jest, aby **ZBIORNIK SOLI NIGDY NIE BYŁ PUSTY**.

- Ważne też jest odpowiednie ustawienie twardości wody.

Zbiornik soli znajduje się w dolnej części zmywarki (patrz OPIS PRODUKTU), i musi zostać napełniony, gdy na panelu sterowania świeci się kontrolka **BRAK SOLI**.



1. Wyjąć dolny kosz i odkręcić korek zbiornika (w kierunku przeciwnym do ruchu wskazówek zegara).
2. Tylko podczas wykonywania czynności po raz pierwszy: Napełnić zbiornik soli wodą.
3. Umieścić lejek (patrz rys.) i wsypać sól aż do krawędzi zbiornika (około 1 kg); niewielki wyciek wody jest tu normalny.
4. Wyjąć lejek i wytrzeć resztki soli wokół otworu.

Upewnić się, czy korek jest mocno dokręcony, aby detergent nie mógł przedostać się do zbiornika podczas programu zmywania (mogłoby to spowodować nienaprawialne uszkodzenie zmiękczacza wody).

Jeśli trzeba uzupełnić ilość soli w urządzeniu, należy wykonać tę czynność przed rozpoczęciem cyklu zmywania aby uniknąć korozji.

USTAWIENIE TWARDOŚCI WODY

Aby zmiękczacze wody działał idealnie, istotne jest ustawienie twardości wody na podstawie rzeczywistej twardości doprowadzanej wody. Tę informację można uzyskać od lokalnego dostawcy wody.

Ustawienie fabryczne to domyślna wartość dla twardości wody.

- Włączyć urządzenie, naciskając przycisk **WŁ./WYŁ.**
- Wyłączyć urządzenie, naciskając przycisk **WŁ./WYŁ.**
- Przytrzymać przycisk **P** przez 5 sekund, aż będzie słychać sygnał dźwiękowy.
- Włączyć urządzenie, naciskając przycisk **WŁ./WYŁ.**
- Wybrany aktualnie numer poziomu twardości oraz kontrolka **BRAK SOLI** migają jednocześnie.
- Wcisnąć przycisk **P**, by wybrać żądany poziom twardości (patrz **TABELA TWARDOŚCI WODY**).

Tabela twardości wody				
Poziom	St. niemieckie	°dH	°fH	°Clark
1	Miękka	0 - 6	0 - 10	0 - 7
2	Średnia	7 - 11	11 - 20	8 - 14
3	Przeciętna	12 - 16	21 - 29	15 - 20
4	Twarda	17 - 34	30 - 60	21 - 42
5	Bardzo twarda	35 - 50	61 - 90	43 - 62

- Wyłączyć urządzenie, naciskając przycisk **WŁ./WYŁ.**

Ustawienie zostało wykonane!

Po zakończeniu tych czynności włączyć program bez wkładania naczyń.

Należy stosować wyłącznie taką sól, która jest specjalnie przeznaczona do zmywarek.

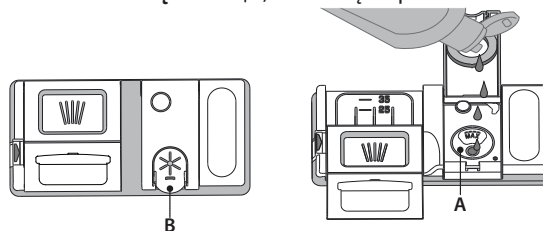
Po wsypaniu soli do zmywarki kontrolka **BRAK SOLI** gaśnie.

Jeśli pojemnik z solą jest pusty, istnieje ryzyko uszkodzenia zmiękczacza wody oraz grzałki z powodu nagromadzenia osadu.

Stosowanie soli jest zalecane z każdym rodzajem detergentu do zmywarek.

NAPEŁNIANIE DOZOWNIKA PŁYNU NABŁYSZCZAJĄCEGO

Płyn nabłyszczający ułatwia **SUSZENIE** naczyń. Dozownik płynu nabłyszczającego **A** powinien zostać napełniony, gdy kontrolka **BRAK PŁYNU NABŁYSZCZAJĄCEGO** ✨, świeci się na panelu sterowania.



1. Otworzyć dozownik **B**, naciskając i podnosząc klapkę na pokrywie.
2. Ostrożnie wlewać płyn nabłyszczający, aż do kreski oznaczającej maksymalny poziom napełnienia (110 ml) - unikać rozlania płynu. Jeśli tak się stanie, należy natychmiast wytrzeć rozlany płyn suchą szmatką.
3. Zatrzasnąć pokrywę.

NIGDY nie wlewać płynu nabłyszczającego bezpośrednio do komory zmywarki.

REGULACJA DOZOWANIA PŁYNU NABŁYSZCZAJĄCEGO

Jeśli rezultaty suszenia nie są w pełni zadowalające, można wyregulować dozowanie używanego płynu nabłyszczającego.

- Włączyć zmywarkę za pomocą przycisku **WŁ./WYŁ.**
- Wyłączyć urządzenie za pomocą przycisku **WŁ./WYŁ.**
- Nacisnąć trzykrotnie przycisk **P** - będzie słychać sygnał dźwiękowy.
- Włączyć ją za pomocą przycisku **WŁ./WYŁ.**
- Miga wybrany aktualnie numer poziomu nabłyszczacza oraz kontrolka **BRAK PŁYNU NABŁYSZCZAJĄCEGO**.
- Nacisnąć przycisk **P**, aby wybrać poziom dozowania płynu nabłyszczającego.
- Wyłączyć urządzenie za pomocą przycisku **WŁ./WYŁ.**

Ustawienie zostało wykonane!

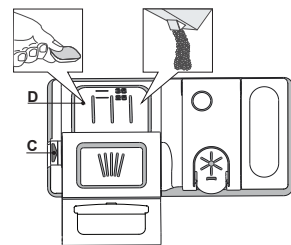
Jeśli poziom dozowania płynu nabłyszczającego został ustawiony na **ZERO (ECO)**, płyn nabłyszczający nie będzie dozowany. Kontrolka **BRAK PŁYNU NABŁYSZCZAJĄCEGO** nie będzie świecić, jeśli zabraknie płynu nabłyszczającego.

Można ustawić maksymalnie 5 poziomy, zależnie od modelu zmywarki. Ustawienia fabryczne zależą od modelu urządzenia. Aby sprawdzić ustawienia posiadanej zmywarki, należy postąpić według instrukcji powyżej.

- Jeśli na naczyńach są widoczne niebieskawe smugi, należy ustawić niski poziom (1-2).
- Jeśli na naczyńach pozostają krople wody lub oznaki kamienia, należy ustawić wysoki poziom (3-4).

NAPEŁNIANIE DOZOWNIKA DETERGENTU

Aby otworzyć dozownik detergentu, użyć urządzenia do otwierania C. Detergent wsypywać/wlewać tylko do suchego zasobnika D. Detergent przeznaczony do mycia wstępnego wsypywać/wlewać bezpośrednio do komory zmywarki.



1. Odmierzając dawkę detergentu, należy uwzględnić informacje podane powyżej, aby dodana ilość detergentu była prawidłowa. Wewnątrz dozownika **D** znajdują się oznaczenia ułatwiające dozowanie detergentu.
2. Przed zatrzaśnięciem pokrywy usunąć pozostałości detergentu z krawędzi dozownika.
3. Zamknąć pokrywę dozownika detergentu, pociągając ją w górę tak, aż urządzenie zamykające zostanie zablokowane na swoim miejscu.

Dozownik detergentu otwiera się automatycznie w odpowiednim czasie, zgodnie z danym programem.

Jeśli używany jest detergent typu „all-in-one” zalecamy używanie przycisku **TABLETKI**, ponieważ wtedy zostanie wybrany program pozwalający na osiągnięcie najlepszych rezultatów mycia i suszenia za każdym razem.

Zastosowanie detergentów nieprzeznaczonych do użytku w zmywarkach może spowodować nieprawidłowe działanie lub uszkodzenie urządzenia.

TABELA PROGRAMÓW

Program	Faza suszenia	NaturalDry	Dostępne opcje *)	Czas trwania programu zmywania (godz.:min)**	Zużycie wody (litry/cykl)	Zużycie energii (kWh/cykl)	
1. Eco	ECO 50°	✓	✓		3:10	9,5	0,75
2. 6 th Sense®	50-60°	✓	✓		1:25 - 3:00	7,0 - 14,0	0,90 - 1,40
3. Intensywny	65°	✓	✓		2:50	14,0	1,50
4. Szybkie mycie i suszenie	50°	✓	✓		1:25	11,5	1,10
5. Kryształ	45°	✓	✓		1:40	11,5	1,20
6. Szybki 30'	50°	-	-		0:30	9,0	0,50
7. Cichy	50°	✓	✓		3:30	15,0	1,15
8. Dezynfekujący	65°	✓	-		1:40	10,0	1,30
9. Mycie wstępne	-	-	-		0:12	4,5	0,01
10. Samoczyszczenie	65°	-	-		0:50	8,0	0,85

Dane Programu Eco uzyskano na podstawie pomiarów wykonanych w warunkach laboratoryjnych zgodnie z normą europejską EN 60436:2020. Uwaga dla laboratoriów testowych: szczegółowe informacje dotyczące warunków testów porównawczych EN można uzyskać pod adresem: dw_test_support@whirlpool.com.

Przed żadnym z tych programów nie ma potrzeby wstępnego przygotowania naczyń.

*) Nie wszystkie opcje mogą być używane jednocześnie.

**) Wartości podane dla innych programów niż program Eco mają charakter referencyjny. Rzeczywisty czas może się zmieniać w zależności od wielu czynników, takich jak temperatura i ciśnienie dopływającej wody, temperatura otoczenia, ilość detergentu, wielkość i typ ładunku oraz jego wyważenie, a także od dodatkowo wybranych opcji i kalibracji czujnika. Kalibracja czujnika może wydłużyć czas trwania programu aż o 20 min.

OPIS PROGRAMÓW

Instrukcje wyboru cyklu zmywania.

1 ECO

Program Eco jest przeznaczony do mycia naczyń o zwykłym stopniu zabrudzenia; dla tego zastosowania jest to najbardziej wydajny program pod względem zużycia energii elektrycznej i wody oraz w takim zastosowaniu program ten uzyskał certyfikat zgodności z dyrektywą unijną Ecodesign.

2 6th SENSE®

Do mycia normalnie zabrudzonych naczyń z zaschniętymi resztkami potraw. Program jest automatycznie dostosowany w zależności od poziomu zabrudzenia. Gdy czujnik wykryje poziom zabrudzenia, na wyświetlaczu pojawi się animacja i czas trwania cyklu zostanie zaktualizowany.

3 INTENSYWNY

Program do zmywania bardzo zabrudzonych naczyń, szczególnie zalecany do patelni i garnków (nie powinien być używany do delikatnych naczyń).

4 SZYBKIE MYCIE I SUSZENIE

Normalnie zabrudzone naczynia. Cykl do codziennego stosowania, zapewniający optymalne rezultaty zmywania i suszenia w krótszym czasie.

5 KRYSTAŁY

Program do mycia delikatnych naczyń, które są bardziej wrażliwe na wysoką temperaturę, np. szklanki i kubeczki.

6 SZYBKIE 30'

Program należy stosować przy połowie ładunku lub lekko zabrudzonych naczyniach, na których nie zalegają resztki jedzenia. Nie zawiera fazy suszenia.

7 CICHY

Odpowiedni do zmywania w nocy. Zapewnia optymalne rezultaty zmywania i suszenia przy najniższej emisji hałasu.

8 DEZYNFEKUJĄCY

Średnio lub bardzo zabrudzone naczynia, z dodatkowym działaniem antybakteryjnym. Można wykorzystywać do wykonania czynności związanych z konserwacją zmywarki.

9 MYCIE WSTĘPNE

Opłukiwanie naczyń przeznaczonych do późniejszego mycia. W tym programie nie używa się żadnego detergentu.

10 SAMOCZYSZCZENIE

Program przeznaczony do przeprowadzania konserwacji zmywarki, tylko w przypadku gdy zmywarka jest PUSTA, z zastosowaniem specjalnych detergentów służących do konserwacji zmywarki.

Uwagi:

Należy pamiętać, że cykl Szybki 30' służy do mycia lekko zabrudzonych naczyń.

OPCJE I FUNKCJE

OPCJE można wybierać bezpośrednio, naciskając odpowiedni przycisk (patrz PANEL STEROWANIA).

Jeśli dana opcja nie może być używana z wybranym programem patrz TABELA PROGRAMÓW, odpowiednia dioda LED mignie szybko 3 razy i będzie słycać sygnał dźwiękowy. Opcja nie zostanie włączona.

MULTI ZONE MULTIZONE

Jeśli nie ma wielu naczyń do zmywania, można wykorzystać program «Połowa załadunku», w celu oszczędzenia wody, energii elektrycznej i detergentu.

Wybrać program i nacisnąć przycisk MULTIZONE: symbol wybranego kosza pojawia się na wyświetlaczu. Domyślnie urządzenie myje naczynia we wszystkich koszach.

Aby umyć zawartość tylko wybranego kosza, należy nacisnąć kilkakrotnie przycisk:



pokazany na wyświetlaczu (tylko dolny kosz)



pokazany na wyświetlaczu (tylko górny kosz)



pokazany na wyświetlaczu (opcja jest WYŁĄCZONA, a urządzenie będzie zmywać naczynia we wszystkich koszach).

Uwaga: naczynia należy umieścić wyłącznie w wybranym koszu.

Jeśli wyjęto górny kosz, należy umieścić detergent bezpośrednio w zbiorniku zamiast w dozowniku detergentu.

OPÓŹNIENIE

Włączenie programu można opóźnić o pewien czas, od 1 do 12 godzin.

1. Nacisnąć przycisk OPÓŹNIENIE: na wyświetlaczu pojawi się odpowiedni symbol „h”; po każdym naciśnięciu przycisku, czas (1 godz., 2 godz., itd. do maks. 12 godz.) liczony od początku wybranego cyklu zmywania zostanie zwiększony.
2. Wybrać program zmywania, nacisnąć przycisk START/Pauza i w ciągu czterech sekund zamknąć drzwiczki: zegar zacznie odliczanie.
3. Po upływie ustawionego czasu kontrolka „h” zgaśnie i rozpocznie się cykl zmywania.

Aby ustawić czas opóźnienia i wybrać krótszy czas, należy nacisnąć przycisk OPÓŹNIENIE. Aby anulować wybór, nacisnąć i przytrzymać przycisk, aż kontrolka wybranego opóźnienia „h” zgaśnie.

Program zmywania rozpocznie się automatycznie, jak tylko zostaną zamknięte drzwiczki.

Funkcji „OPÓŹNIENIE” nie można ustawić po rozpoczęciu cyklu zmywania.

TURBO

Ta opcja może być stosowana w celu zmniejszenia czasu trwania programu głównego, przy jednoczesnym uzyskaniu takich samych rezultatów mycia i suszenia.

Po wybraniu programu, nacisnąć przycisk TURBO. Zaświeci się kontrolka. Aby wyłączyć opcję, jeszcze raz nacisnąć ten sam przycisk.

POWER CLEAN®

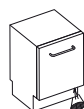
Dzięki dodatkowym silnym dyszom ta opcja zapewnia bardziej intensywne i dokładne mycie w koszu dolnym, w określonym jego obszarze. Opcja ta jest polecana do mycia garnków i patelni. Naciśnięcie tego przycisku włącza opcję Power Clean® (zapala się wskaźnik).

TABLETKI (TAB)

Ustawienie to pozwala zoptymalizować wydajność programu zgodnie z typem zastosowanego detergentu.

Nacisnąć przycisk START/Pauza i przytrzymać przez 3 sekundy (zaświeci się odpowiedni symbol), jeśli używany jest wielofunkcyjny detergent w formie tabletki (płyn nabyliczający, sól i detergent w jednym).

W przypadku korzystania z detergentu w proszku lub w płynie, opcja ta powinna być wyłączona.



KONTROLKA DZIAŁANIA

Lampka LED świecąca na podłogę wskazuje, że zmywarka działa. Można wybrać jeden z następujących trybów pracy:

- a) Funkcja wyłączona.
- b) Gdy rozpoczyna się cykl, kontrolka włącza się na kilka sekund, pozostaje wyłączona podczas cyklu i miga na koniec cyklu.
- c) Kontrolka pozostaje włączona podczas cyklu i miga po jego zakończeniu (tryb domyślny).

Jeżeli zostało ustawione opóźnienie, kontrolka może być włączona w ciągu pierwszych kilku sekund, albo przez cały okres odliczania, zależnie od tego, czy ustawiono tryb b), czy c). Kontrolka gaśnie za każdym razem, gdy zostaną otwarte drzwiczki. Aby wybrać preferowany tryb, należy włączyć urządzenie, nacisnąć i przytrzymać przycisk P, aż na wyświetlaczu pojawi się jedna z trzech liter, nacisnąć przycisk P, aż do osiągnięcia żądanej litery (lub trybu), przytrzymać przycisk P, aby potwierdzić wybór.

Uwaga: Jeśli system NaturalDry jest aktywny i drzwiczki zostaną otwarte, wskaźnik pracy nie będzie migać na końcu cyklu.

NaturalDry

NaturalDry to konwekcyjny system suszenia, który automatycznie otwiera drzwiczki podczas/po fazie suszenia, aby zapewnić doskonałe rezultaty suszenia każdego dnia. Drzwiczki otwierają się w temperaturze, która jest bezpieczna dla mebli kuchennych, dlatego nie zostaną one otworzone, gdy włączona jest opcja TURBO.

Do zmywarki dołączono specjalnie zaprojektowaną folię ochronną, która pełni funkcję dodatkowej ochrony przed parą. Należy zapoznać się z PORADNIKIEM INSTALACJI, aby dowiedzieć się, jak zamontować folię ochronną.

Użytkownik może wyłączyć funkcję systemu NaturalDry w następujący sposób:

1. Przejść do menu oprogramowania zmywarki, naciskając i przytrzymując przycisk P (6 sek.).
2. Po wejściu do Light Control Menu (zapoznać się z rozdziałem KONTROLKA DZIAŁANIA), nacisnąć i przytrzymać przycisk P (dopóki na wyświetlaczu nie wyświetli się jedna z dwóch liter), o ile użytkownik nie chce niczego zmieniać.
3. Po przejściu do Menu Sterowania NaturalDry, można zmienić status tej funkcji, naciskając przycisk P:

E - włączone **d** - wyłączony

Należy nacisnąć i przytrzymać przycisk P (3 sek.), aby potwierdzić zmianę i wyjść z Menu Sterowania.

DAGLIG INFORMATIONSBOK



**TACK FÖR ATT DU HAR KÖPT EN PRODUKT
FRÅN WHIRLPOOL.**

För att få fullständig assistans, registrera din maskin på
www.whirlpool.eu/register

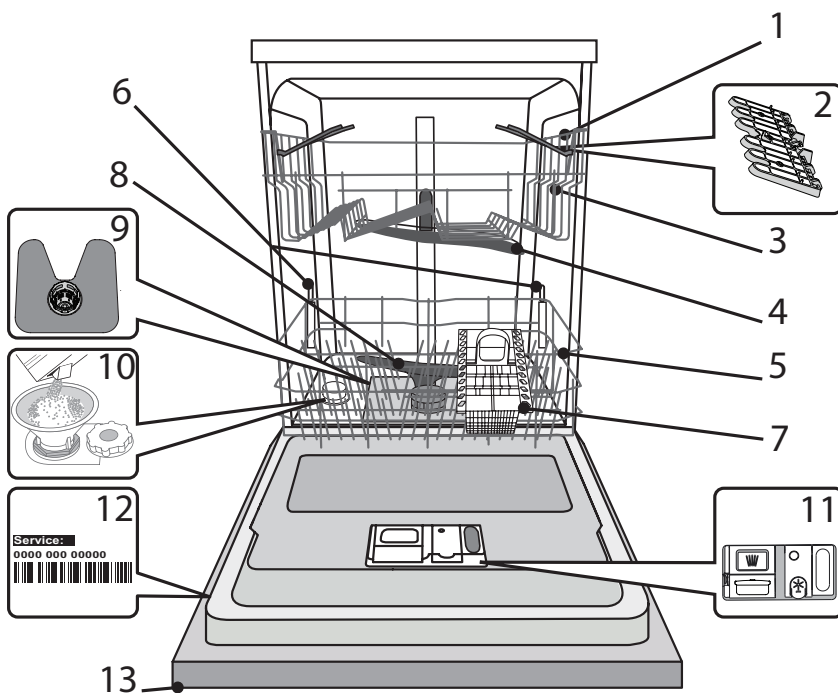


Du kan ladda ner säkerhetsinstruktionerna och
Användarmanualen, genom att besöka vår hemsida
docs.whirlpool.eu och följa instruktionerna på bak-
sidan av det här häftet.

Läs säkerhetsinstruktionerna noga innan du använder apparaten.

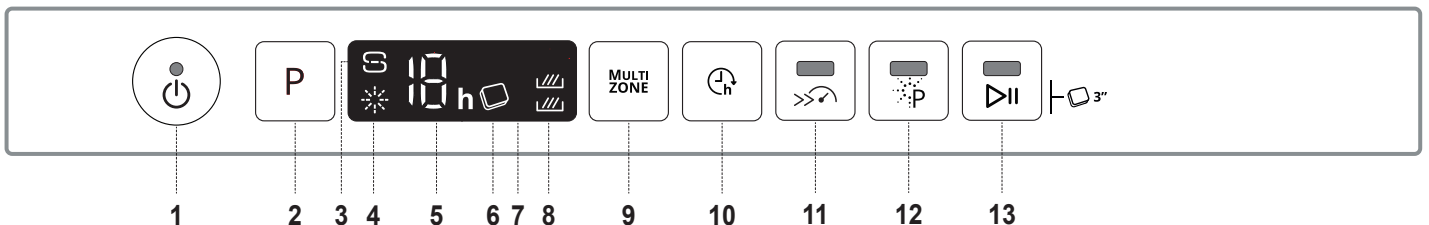
BESKRIVNING AV PRODUKTEN

MASKIN



1. Överkorg
2. Hopfällbara koppställ
3. Överkorgens höjdjustering
4. Övre spolarm
5. Underkorg
6. Power Clean® -stöd
7. Bestickkorg
8. Nedre spolarm
9. Filterenhet
10. Saltbehållare
11. Disk- och sköljmedelsdispensrar
12. Typskylt
13. Kontrollpanel

KONTROLLPANEL



1. Knapp På-Av/Återställ med kontrollampa
2. Programknapp
3. Kontrollampa för saltnivå
4. Kontrollampa för sköljmedelsnivå
5. Programnummer och lampa för fördröjningstid
6. Kontrollampa för Tablett (Tab)
7. Display
8. Kontrollampa för Multizone
9. Knapp Multizone
10. Knapp för fördröjd start
11. Knapp för Turbo med kontrollampa
12. Knapp för Power Clean® med kontrollampa
13. Knapp för START/Paus med kontrollampa/ Tablett (Tab)

FÖRSTA ANVÄNDNING SALT, GLANSMEDEL OCH DISKMEDEL

RÅD FÖR FÖRSTA ANVÄNDNING

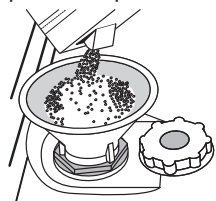
Efter installation, avlägsna stoppen från korgarna och de elastiska hållarna från överkorgen.

PÅFYLNING AV SALTBEHÅLLAREN

Användning av salt förhindrar KALKBELÄGGNING på disken och på maskinens funktionella komponenter.

- Det är obligatoriskt att **SALTBEHÅLLAREN ALDRIG ÄR TOM**.
- Det är viktigt att ställa in vattenhården.

Saltbehållaren befinner sig i diskmaskinens nedre del (se *PRODUKTBESKRIVNING*) och den måste fyllas när **kontrolllampan för SALT** på kontrollpanelen är tänd.



1. Avlägsna underkorgen och skruva loss behållarens lock (moturs).
2. **Gör detta endast den första gången: fyll saltbehållaren med vatten.**
3. Sätt tratten på plats (se bild) och fyll saltbehållaren ända upp till kanten (cirka 1 kg); det är inte ovanligt att lite vatten rinner över.
4. Ta bort tratten och torka bort eventuella saltrester från öppningen.

Kontrollera att locket är ordentligt fastskruvat, så att inget diskmedel kan tränga in i behållaren under diskprogrammet (detta kan skada vattenavhårdaren så att den inte kan repareras).

Närhelst du behöver lägga till salt är det obligatoriskt att slutföra proceduren före diskcykeln startar för att undvika korrosion.

INSTÄLLNING AV VATTENHÅRDHET

För att vattenavhårdaren ska kunna fungera perfekt är det nödvändigt att vattenhården inställningen grundar sig på den verkliga vattenhården hemma hos dig. Denna information kan du få från din lokala vattenleverantör.

Fabriken anger standardvärdet för vattenhården.

- Slå på maskinen genom att trycka på knappen **PÅ/AV**.
- Slå av maskinen genom att trycka på knappen **PÅ/AV**.
- Håll knappen **P** intryckt i 5 sekunder, tills du hör ett pipjud.
- Slå på maskinen genom att trycka på knappen **PÅ/AV**.
- Den aktuella nivåsisiffran och saltlampan blinkar båda.
- Tryck på knappen **P** för att välja önskad hårdhetsnivå (se *VATTENHÅRDHETSTABELL*).

Vattenhårdenstabelle				
Nivå		°dH Grader, tysk standard	°fH Grader, fransk standard	°Clark Grader, engelska standard
1	Mjukt	0 - 6	0 - 10	0 - 7
2	Normal	7 - 11	11 - 20	8 - 14
3	Normalt	12 - 16	21 - 29	15 - 20
4	Hårt	17 - 34	30 - 60	21 - 42
5	Mycket hårt	35 - 50	61 - 90	43 - 62

- Slå av maskinen genom att trycka på knappen **PÅ/AV**.

Inställningen är klar!

Så fort detta moment utförts ska man köra ett program med tom maskin.

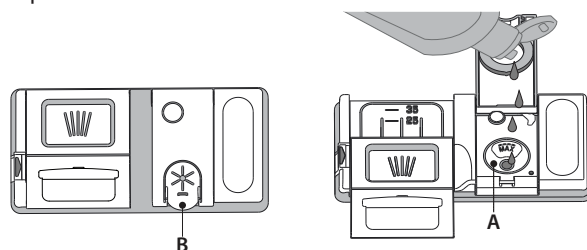
Använd endast salt som utvecklats speciellt för diskmaskiner. Efter att saltet hällts i maskinen släcks SALTPÅFYLNINGSSINDIKATORN.

Om saltbehållaren inte fylls kan vattenavhårdaren och värmeelementet skadas som resultat av kalkansamling.

Användning av salt rekommenderas med alla typer av diskmedel.

PÅFYLNING AV SKÖLJMEDELSBEHÅLLAREN

Sköljmedel underlättar TORKNING av disken. Sköljmedelsbehållaren **A** ska fyllas på när **kontrolllampan för SKÖLJMEDELSNIVÅ** tänds på kontrollpanelen.



1. Öppna behållaren **B** genom att trycka och dra upp fliken på locket.
2. Håll försiktigt i sköljmedel tills det når referensmärket max (110 ml) på påfyllningsöppningen - undvik spill. Om detta skulle hända ska man omedelbart torka upp spillet med en torr trasa.
3. Tryck locket nedåt tills du hör ett låsande klickjud.

Håll ALDRIG sköljmedel direkt i maskinbotten.

JUSTERING AV SKÖLJMEDELSDOSERINGEN

Om du inte är helt tillfreds med torkresultatet kan du justera den använda sköljmedelsmängden.

- Sätt på diskmaskinen med knappen **PÅ/AV**.
- Stäng av den med knappen **PÅ/AV**.
- Tryck på knappen **P** tre gånger - ett pipjud avges.
- Sätt på den med knappen **PÅ/AV**.
- Den aktuella nivåsisiffran och sköljmedelslampan blinkar.
- Tryck på knappen **P** för att välja sköljmedelsmängden som ska tillföras.
- Stäng av den med knappen **PÅ/AV**.

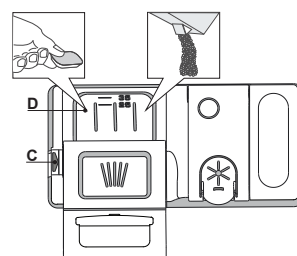
Inställningen är klar!

Om sköljmedelsnivån är inställd på NOLL (EKO) tillförs inget sköljmedel. Kontrolllampan för LÅG SKÖLJMEDELSNIVÅ kommer inte att tändas om sköljmedlet tar slut. Högst 5 olika nivåer kan ställas in med denna diskmaskinsmodell. Fabriksinställningarna är specifika för varje modell. Följ instruktionerna ovan för att se vilka som gäller för din diskmaskin.

- Om du ser blåaktiga streck på tallrikarna, ställ in ett lågt nummer (1-2).
- Om det finns vattendroppar eller kalkmärken på disken, ställ in ett högt nummer (3-4).

PÅFYLNING AV DISKMEDELSBEHÅLLAREN

Använd öppningsdonet C för att öppna diskmedelsbehållaren. Håll diskmedlet i behållaren D, som ska vara torr. Håll fördiskens diskmedel direkt i maskinbotten.



1. Se den ovanstående informationen när det gäller rätt mängd vid dosering av diskmedel. I diskmedelsfacket **D** finns det markeringar som underlättar doseringen.
2. Avlägsna diskmedelsrester från behållarens kanter och stäng locket med ett klick.
3. Stäng diskmedelsbehållarens lock genom att trycka på det tills spärren är ordentligt låst.

Diskmedelsbehållaren öppnas automatiskt i rätt moment baserat på programmet.

Dersom du bruker oppvaskmiddel av typen alt-i-ett, tilråder vi deg å bruke **TABLETT** knappen, fordi den tilpasser programmet slik at optimalt vaske- og tørkeresultat alltid oppnås.

Användning av diskmedel som inte är avsett för diskmaskiner kan orsaka funktionsfel eller skador på apparaten.

PROGRAMTABELL

Program	Torkningsfas	NaturalDry	Tillgängliga alternativ *)	Diskcykeltid (tim:min)*	Vattenförbrukning (l/cykel)	Energiförbrukning (kWh/cykel)	
1. Eko	ECO 50°	✓	✓		3:10	9,5	0,75
2. 6 th Sense®	50-60°	✓	✓		1:25 - 3:00	7,0 - 14,0	0,90 - 1,40
3. Intensiv	65°	✓	✓		2:50	14,0	1,50
4. Snabb disk&tork	50°	✓	✓		1:25	11,5	1,10
5. Kristall	45°	✓	✓		1:40	11,5	1,20
6. Snabb 30'	50°	-	-		0:30	9,0	0,50
7. Tyst	50°	✓	✓		3:30	15,0	1,15
8. Sterilisera	65°	✓	-		1:40	10,0	1,30
9. Fördisk	-	-	-		0:12	4,5	0,01
10. Självrengöring	65°	-	-		0:50	8,0	0,85

EKO-programmets data har mätts i laboratorium enligt Europeisk Standard EN 60436:2020.

Notering för provlaboratorium: För information om villkoren för jämförelse provningen EN, skriv till e-postadress: dw_test_support@whirlpool.com

Dysken behöver inte förbehandlas för något av programmen.

*) Inte alla alternativ kan användas samtidigt.

**) Värden som ges för andra program än Eko-programmet är endast vägledande. Den verkliga tiden kan variera beroende på många faktorer så som temperatur och tryck på inloppsvatten, rumstemperatur, diskmedelsmängd, mängd och typ av disk, diskens jämvikt, ytterligare valda alternativ och sensorkalibrering. Sensorkalibreringen kan öka diskmaskinens programtid upp till 20 min.

PROGRAMBESKRIVNING

Instruktioner för programval.

1 EKO

Eco-programmet är lämpligt för rengöring av en normalt nedsmutsad bordsservis. Det är det effektivaste programmet med avseende på den kombinerade energi- och vattenförbrukningen för denna användning och det används i överensstämmelse med EU:s lagstiftning om ekodesign.

2 6th SENSE®

För normalsmutsig disk med intorkade matrester. Funktionen känner av nedsmutsningsgraden och anpassar programmet på motsvarande sätt. När sensorn känner av nedsmutsningsgraden visas en animation i displayen och programtiden uppdateras.

3 INTENSIV

Rekommenderat program för mycket smutsig disk, särskilt lämpligt för stekpannor och kastruller (får ej användas för ömtåliga föremål).

4 SNABB DISK&TORK

Normalt smutsig disk. Vardagsprogram som garanterar bra diskresultat på kort tid.

5 KRISTALL

Program för ömtåliga föremål som är känsligare för höga temperaturer, t.ex. glas och koppar.

6 SNABB 30'

Program som kan benyttes för halv last och mindre skitne tallerkener utan torkningsfas. Har ingen torkningsfas.

7 TYST

Lämpar sig för användning av maskinen på natten. Optimal prestanda garanteras.

8 STERILISERA

Normalt eller hårt smutsad disk, med extra antibakteriell verkan. Kan användas för att utföra underhåll på diskmaskinen.

9 FÖRDISK

Använd för att blötlägga disk som ska diskas vid senare tillfälle. Inget diskmedel ska användas med detta program.

10 SJÄLVRENGÖRING

Program som ska användas för underhåll av diskmaskinen, som endast ska utföras när diskmaskinen är TOM med specifika tvättmedel utformade för diskmaskinsunderhåll.

Anmärkningar:

Observera att programmet *Snabb 30'* är avsett för lätt smutsade kärl.

ALTERNATIV OCH FUNKTIONER

ALTERNATIV kan väljas direkt genom att trycka på motsvarande knapp (se kontrollpanel).

Om ett alternativ inte är förenligt med det valda programmet (se programtabellen), blinkar den motsvarande LED-lampan snabbt 3 gånger och pipsignaler hörs. Alternativet aktiveras inte.

MULTI ZONE MULTIZONE

Om det inte finns mycket disk som ska diskas kan man köra en halvtomt program för att spara vatten, ström och diskmedel. Välj ett program och tryck sedan på knappen MULTIZONE: symbolen för den valda korgen visas på displayen. Maskinen är standardinställd på att diska i alla korgar. Tryck på knappen flera gånger om du bara vill att innehållet i ena korgen ska diskas:



visas på displayen (bara underkorgen)



visas på displayen (bara överkorgen)



visas på displayen (tillvalet är AV och apparaten diskas innehållet i alla korgar).

Kom ihåg att bara använda antingen över- eller underkorgen och att minska diskmedelsmängden i proportion.

Använd diskmedel direkt i diskutrymmet istället för i diskmedelsbehållaren om den övre korgen avlägsnats.

FÖRDRÖJNING

Programmets start kan fördröjas i en tid från :1 till 12 timmar.

1. Tryck på knappen FÖRDRÖJNING: motsvarande "h"-symbol visas på displayen. varje gång du trycker på knappen ökar tiden (1 h, 2 h, osv. upp till max 12 h) från start av det valda programmet.
2. Välj program, tryck på START/Paus-knappen och stäng luckan inom 4 sekunder. Timern börjar nedräkningen.
3. När tiden har gått släcks kontrolllampan "h" och diskprogrammet startar.

För att justera fördröjningstiden och välja en kortare tidsperiod, tryck på knappen Fördröjning. För att radera den, tryck på knappen upprepade gånger tills kontrolllampan för vald fördröjd start "h" släcks.

Fördröjningsfunktionen kan inte ställas in när ett program redan har startat.

TURBO

Detta tillval kan användas för att minska tiden för de huvudsakliga programmen medan samma prestandanivåer för disk och torkning bibehålls.

Efter att programmet valts, tryck på knappen Turbo. Kontrolllampan tänds. Avaktivera funktionen genom att trycka på samma knapp igen.

POWER CLEAN®

Vattenstrålar med extra högt tryck gör att diskningen blir intensivare i ett särskilt område i underkorgen. Detta tillval rekommenderas för disk av kastruller och grytor.

Tryck på denna knapp för att aktivera POWER CLEAN® (kontrolllampan tänds).



TABLETT (Tab)

Denna inställning gör att du kan optimera programmets prestanda baserat på typen av diskmedel som används.

Tryck på knappen START/Paus i 3 sekunder (och motsvarande symbol tänds) om du använder kombidiskmedel i tablettform (sköljmedel, salt och diskmedel i 1 dos).

Vid användning av diskmedel i pulver eller flytande form ska detta tillval stängas av.



DRIFTINDIKATOR

En lysdiod vars ljus är riktat på golvet anger att diskmaskinen är igång. En av följande funktionslägen kan väljas:

- a) Funktion avaktiverad.
- b) När programmet startar tänds ljuset i några sekunder, förblir släckt under pågående program och blinkar när programmet är klart.
- c) Ljuset förblir tänd under pågående program och blinkar när programmet är klart (standardfunktion).

Om en fördröjning har ställts in tänds ljuset antingen under de första sekunderna eller under hela nedräkningstiden, beroende på om funktion b) eller c) ställts in.

Ljuset släcks varje gång man öppnar luckan. För att välja önskat funktionssätt, slå på maskinen, håll knappen P intryckt tills en av de tre bokstäverna visas på displayen, tryck på knappen P tills du nått önskad bokstav (eller funktionssätt), håll knappen P intryckt för att bekräfta ditt val.

Notera: Om NaturalDry är aktivt och det öppnar luckan, så kommer inte arbetsindikatorn att blinka i slutet av cykeln.

NaturalDry

NaturalDry är ett fläktorkningsssystem där luckan öppnas automatiskt efter/under torkning för att optimera torkningsprestandan. Luckan öppnas vid den temperatur som är säker för dina köksmöbler. Dörren kommer därför inte att öppnas när TURBO är igång.

Ett specialutformat ångskydd i form av en skyddsfolie medföljer diskmaskinen. Information om hur du monterar skyddsfolien finns i INSTALLATIONSANVISNINGAR.

NaturalDry-funktionen kan inaktiveras på följande sätt:

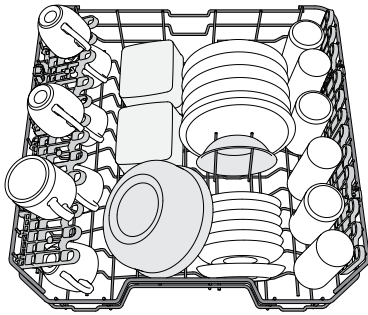
1. Gå till diskmaskinens programmeny genom att trycka in knappen P (sex sekunder).
2. Nu visas Ljusreglagemenyn (se beskrivning DRIFTINDIKATOR). Om du inte vill ändra någonting trycker du på och håller knappen P intryckt (tills en av de två bokstäverna visas på displayen).
3. NaturalDry-kontrollmenyn visas. Ändra status för NaturalDry-funktionen genom att trycka på knappen P.

E – aktiverad **D** – avaktiverad

Tryck på knappen P i tre sekunder för att bekräfta ändringen och lämna kontrollmenyn.

STÄLLA IN DISKGODSET

ÖVERKORG



(exempel på fyllning av överkorgen)

JUSTERA HÖJDEN PÅ ÖVERKORGEN

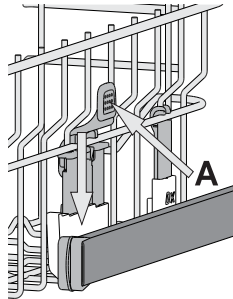
Höjden på överkorgen kan justeras: i högt läge för att placera skrymmande föremål i underkorgen och i lågt läge för att utnyttja de fällbara koppställena och skapa större utrymme uppåt och undvika kontakt med diskgodset som placerats i underkorgen.

Överkorgen är försedd med en **Justeringsmekanism för överkorgen** (se bild). Lyft korgen utan att trycka på spakarna genom att ta tag i korgens sidor och släpp när korgen är stabil i sitt övre läge.

För att sätta tillbaka den i det nedre läget, tryck på spakarna (A) på korgens sidor och flytta korgen nedåt.

Vi rekommenderar att du inte justerar höjden på korgen när den är full.

Höj eller sänk ALDRIG korgen bara på ena sidan.



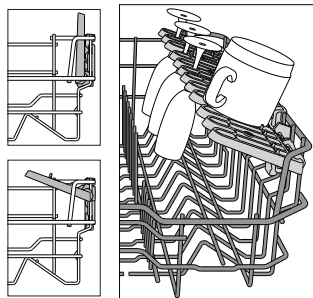
FÄLLBARA KOPPSTÄLL MED JUSTERBART LÄGE

Sidokoppställningarna kan vikas in eller ut för att optimera placeringen av kärl i korgen.

Vinglas kan placeras säkert i de vikbara koppställningarna genom att man för in glasens fot i de motsvarande springorna.

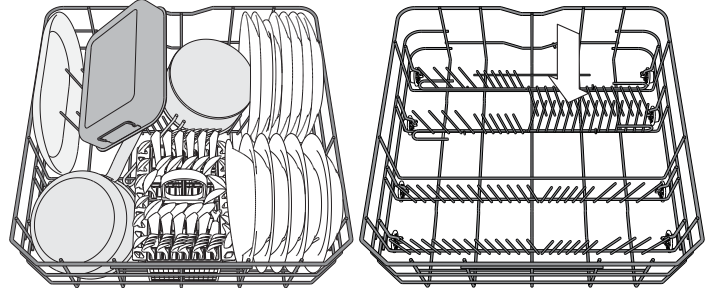
Beroende på modell:

- för att vika ut ställningarna måste de skjutas upp och roteras eller släppas upp från fästena och dras ner.
- för att vika in ställningarna måste de roteras och skjutas ner eller dras upp och knäppas fast i fästena.



UNDERKORG

För grytor, lock, tallrikar, salladsskålar, bestick o.s.v. Stora tallrikar och lock placeras bäst på sidorna för att undvika kontakt med spolarmen. Underkorgen är försedd med uppfällbara stöd som kan användas i lodrätt läge för placering av tallrikar eller i vågrätt läge (nedsänkta) för att lättare ställa in grytor och salladsskålar.

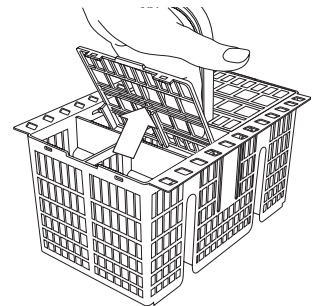


(exempel på fyllning av underkorgen)

BESTICKKORG

Denna är försedd med ett övre galler för bättre placering av besticken. Den får endast placeras längs fram i underkorgen.

Knivar och andra redskap med vassa kanter ska placeras i bestickkorgen med spetsen vänd nedåt eller så ska de placeras vågrätt i de fällbara hållarna i överkorgen.



POWER CLEAN® I UNDERKORGEN

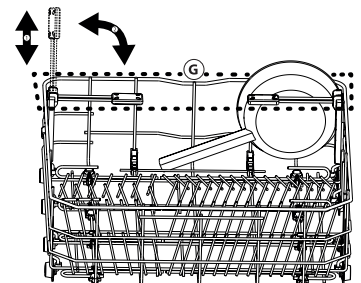
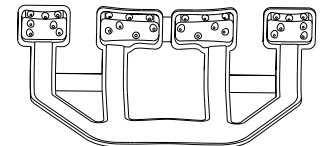
Power Clean® använder sig av speciella vattenstrålar i den bakre delen av diskrummet för att diska smutsig disk mer intensivt.

När grytor/pannor placeras vända mot Utrymmeszon-enheten ska man aktivera **POWER CLEAN** på panelen.

Underkorgen har en Utrymmeszon, ett särskilt utdragbart stöd på korgens baksida som kan användas för att hålla stekjärn eller bakplåtar i upprätt läge så att de tar mindre plats.

Användning av Power Clean®:

1. Justera Power Clean®-området (G) genom att fälla ned det bakre tallriksstället för att få plats med kastruller.
2. Placera kastruller och stekpannor i Power Clean®-området med vertikal lutning. Kastrullerna måste lutats mot spolmunstyckena i Power Clean®-området.



DAGLIG ANVÄNDNING

1. KONTROLLERA ANSLUTNINGEN TILL VATTENLEDNINGEN

Kontrollera att diskmaskinen är ansluten till vattenledningen och att kranen är öppen.

2. SÄTT PÅ DISKMASKINEN

Öppna dörren och tryck på knappen **PÅ/AV**.

3. STÄLL IN DISKGODSET (se STÄLLA IN DISKEN).

4. PÅFYLLNING AV DISKMEDELSBEHÅLLAREN

(se PROGRAMTABELL).

5. VÄLJ PROGRAM OCH STÄLL IN LÄMPLIG CYKEL

Välj det program som är mest lämpligt för typen av diskgodset och hur smutsigt det är (se PROGRAMBESKRIVNING) genom att trycka på knappen **P**.

Välj önskad tillval (se TILLVAL OCH FUNKTIONER).

6. START

Starta diskprogrammet med knappen **START/Paus** (lampan lyser) och stäng luckan inom fyra sekunder. När programmet startas hörs ett pip. Ett larm ljuder om luckan inte stängs inom fyra sekunder. Om larmet ljuder öppnar du luckan, trycker på knappen **START/Paus** och stänger sedan luckan igen inom fyra sekunder.

7. PROGRAMSLUT

Diskprogrammets slut anges av ett pipljud och av att diskprogrammets nummer blinkar på displayen. Öppna luckan och slå av maskinen genom att trycka på knappen **PÅ/AV**.

Vänta några minuter innan disken tas ut - för att undvika brännskador.

Töm korgarna och börja med underkorgen.

Maskinen slås automatiskt av när den har stått stilla under en längre tid för att minimera elförbrukningen.

Om porslinet bara är något smutsigt, eller om det har sköljts med vatten innan det ställdes in i diskmaskinen, kan mängden diskmedel minskas i proportion.

ÄNDRA ETT PÅGÅENDE PROGRAM

Om du har valt fel program kan du ändra det, under förutsättning att det precis har börjat. Öppna luckan och håll knappen **PÅ/AV** intryckt tills maskinen slås av.

Sätt på maskinen igen med hjälp av knappen **PÅ/AV** och välj nytt diskprogram och eventuella önskade tillvalsfunktioner. Starta programmet genom att trycka på knappen **START/Paus** och stänga luckan inom fyra sekunder.

STÄLLA IN YTTERLIGARE DISK

Öppna luckan utan att stänga av maskinen (**START/Paus**-lampan börjar blinka) (**varning för varm ånga!**) och ställ in disken i maskinen. Tryck på knappen **START/Paus** och stäng luckan inom fyra sekunder för att fortsätta programmet från den punkt där det avbröts.

OAVSIKTLIGA AVBROTT

Om luckan öppnas under diskprogrammet eller om strömmen bryts så stoppas programmet. För att fortsätta programmet från den punkt där det avbröts ska du trycka på knappen **START/Paus** och stänga luckan inom fyra sekunder.

RÅD OCH TIPS

TIPS

Innan korgarna fylls ska alla matrester avlägsnas från porslinet och glasen ska tömmas. **Du behöver inte skölja diskgodset innan under rinnande vatten.**

Placera porslinet så att det hålles ordentligt på plats och inte välter; och placera behållare med öppningen nedåt och de konkava/konvexa delarna snett, så att vattnet kan nå alla ytorna och flöda fritt.

VARNING: lock, handtag, serveringsfat och stekjärn hindrar inte spolarmarna från att rotera.

Placera eventuella mindre föremål i bestickkorgen.

Mycket smutsig disk och pannor ska placeras i underkorgen för i denna avdelning spolas vattnet med större kraft och ger bättre diskprestanda.

När maskinen fyllts, kontrollera att spolarmarna kan rotera fritt.

OLÄMPLIGT DISKGODS

- Diskgodset och bestick i trä.
- Ömtåliga dekorerade glas, konsthantverk och antikt porslin. Dekorationerna på dessa är inte beständiga.
- Delar i syntetmaterial som inte kan motstå höga temperaturer.
- Diskgodset i koppar och tenn.
- Diskgodset som har fläckar av aska, vax, smörjmedel eller bläck.

Färg på glasdekorationer och delar i aluminium/silver kan förändras och blekas under diskning. Vissa typer av glas (t.ex. kristallföremål) kan även bli ogenomskinliga efter ett antal diskcykler.

SKADOR PÅ GLAS OCH PORSLIN

- Använd endast glas och porslin som garanterats som maskindisksäkert av tillverkaren.
- Använd ett mildt diskmedel som lämpar sig för glas och porslin för att undvika vita ränder på glasföremål.
- Avlägsna glas och porslin från diskmaskinen så snart diskcykeln avslutats.

TIPS FÖR ENERGIBESPARING

- När hushållets diskmaskin används enligt tillverkarens anvisningar **förbrukar diskmaskinen vid diskning av porslin vanligtvis mindre energi och vatten än vid handdiskning.**
- För att maximera diskmaskinens effektivitet rekommenderas att du startar diskprogrammet först **när diskmaskinen är fulladdad.** En fulladdad diskmaskin som laddats upp till den kapacitet som anges av tillverkaren kommer att leda till energi- och vattenbesparingar i hemmet. Information om korrekt insättning av porslin finns i kapitlet **INSÄTTNING I KORGAR.** För en halvfull maskin rekommenderas det att använda speciella diskalternativ om de finns tillgängliga (Half load/ Zone Wash/ Multizone) (Halvfull/Zondisk/Multizon), så att du bara fyller på utvalda korgar. Felaktig insättning eller överbelastning av diskmaskinen kan öka resursanvändningen (såsom vatten, energi och tid, samt öka ljudnivån), vilket minskar rengörings- och torkprestandan.
- Manuell försköljning av porslin leder till ökad vatten- och energiförbrukning och rekommenderas inte.

HYGIENDISK

För att undvika lukt och avlagringar som kan samlas i diskmaskinen **ska man köra ett högttemperaturprogram minst en gång i månaden.** Använd en tesked diskmedel och kör det utan disk för att rengöra din apparat.

SKÖTSEL OCH UNDERHÅLL

RENGÖRING AV FILTERENHETEN

Rengör filterenheten regelbundet så att filtren inte igensätts och avloppsvattnet rinner ut som det ska.

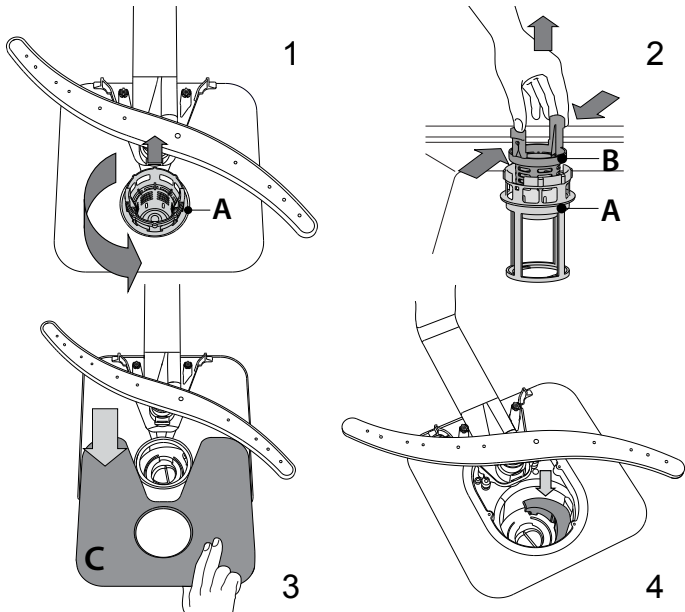
Användning av diskmaskin med tilltäppta filter eller främmande föremål i filtreringssystem eller sprayarmar kan orsaka funktionsfel på enheten, vilket kan leda till sämre prestanda, buller eller en högre resursanvändning.

Filterenheten består av tre filter som avlägsnar matrester från diskvattnet och sen låter vattnet återcirkulera. De måste rengöras om du vill uppnå bästa resultat för varje diskning.

Diskmaskinen får inte användas utan filter eller om filtret sitter löst.

Kontrollera filterenheten och rengör den noga vid behov under rinnande vatten med en icke-metallisk borste åtminstone en gång per månad eller efter 30 program. Följ instruktionerna nedan:

1. Vrid det runda filtret **A** moturs och dra ut det (Figur 1).
2. Avlägsna det skålformade filtret **B** genom att trycka lätt på sidoflikarna (Figur 2).
3. Låt det rostfria platta filtret **C** glida ut (Figur 3).
4. Om du hittar främmande föremål (som trasigt glas, porslin, ben, fruktfrön etc.), avlägsna dem försiktigt.
5. Kontrollera fällan och ta bort eventuella matrester. **TA ALDRIG BORT** diskcykelns pumpskydd (svart del) (Figur 4).



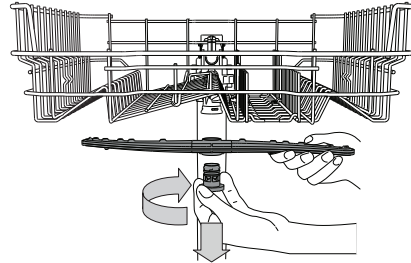
Efter rengöring av filtren, montera tillbaka filterenheten på plats på rätt sätt detta är nödvändigt för att man ska kunna bibehålla diskmaskinens effektivitet.

RENGÖRING AV TILLOPPSSLANGEN

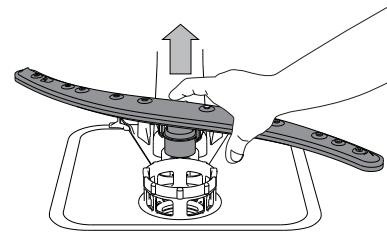
Om vattenslangarna är nya, eller om de använts under en längre tid, låt vattnet rinna för att försäkra dig om att det är rent och fritt från föroreningar innan nödvändiga kopplingar utförs. Om denna försiktighetsåtgärd inte vidtas, skulle vatteninloppet kunna blockeras och diskmaskinen skadas.

RENGÖRING AV SPOLARMARNA

I vissa fall kan matrester fastna på spolarmarna och blockera hålen som vattnet spolats ut genom. Det rekommenderas därför att man kontrollerar spolarmarna lite då och då och rengör dem med en liten icke-metallisk borste.



För att ta loss den övre spolarmen, vrid låsringen i plast medurs. Den övre spolarmen ska sättas tillbaka så att sidan med flest hål är vänd uppåt.



Den nedre spolarmen kan tas bort genom att man trycker på sidoflikarna och drar den uppåt.

VATTENMJUKGÖRINGSSYSTEM

Vattenmjukgöring minskar automatiskt vattenhårddheten och förhindrar följaktligen kalkförekomst på värmaren, vilket också bidrar till bättre rengöringseffektivitet.

Detta system regenererar sig själv med salt, därför är det nödvändigt att fylla på saltbehållaren när den är tom.



Regenereringsfrekvensen beror på inställningen av vattenhårddhetsnivå - sker regenerering en gång per 6 Eco-program med vattenhårddhetsnivån inställd till 3.

Regenereringsprocessen börjar i den sista sköljningen och slutar i torkfasen, innan programmet slutar.

- För en regenerering behövs: ~3.5 L vatten,
- Tar upp till 5 minuter extra för programmet,
- Använder under 0,005 kWh energi.

FELSÖKNING

Om din diskmaskin inte fungerar ordentligt, kontrollera om problemet kan lösas genom att gå igenom följande lista. För andra fel eller problem, kontakta auktoriserad kundservice. Kontaktinformationen finns i garantihäftet. Reservedele vil stå til rådighed i en periode på enten 7 eller 10 år i overensstemmelse med kravene i den specifikke forordning.

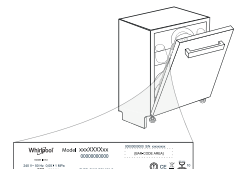
PROBLEM	MÖJLIGA ORSAKER	ÅTGÄRDER
 Saltindikatorn lyser	Saltbehållaren är tom. (Saltindikatorn kan fortsätta att lysa under flera diskningar).	Fyll på salt i behållaren (se sidan 2 för mer information). Justera vattnets hårdhet (se tabellen på sidan 2).
 Spolglansindikatorn lyser	Behållaren för spolglans är tom. (Spolglansindikatorn kan fortsätta att lysa under flera diskningar).	Fyll på spolglans i behållaren (se sidan 2 för mer information).
Diskmaskinen startar inte eller lyder inte kommandon.	Maskinen har inte anslutits till elnätet på rätt sätt.	För in kontakten i uttaget.
	Strömavbrott.	Diskmaskinen startar automatiskt när strömmen kommer tillbaka. Öppna diskmaskinens lucka, tryck på START/Paus-knappen och stäng luckan inom 4 sek.
	Diskmaskinluckan är inte stängd. NaturalDry-stiftet är inte indraget.	Tryck hårt på luckan tills du hör ett "klick".
	Cykeln avbryts för lucköppning för > 4 sekunder.	Tryck på START/Paus och stäng luckan inom 4 sekunder.
Den svarar inte på knapptryck. Displayen visar: 9 eller 12 och PÅ/AV-LED-lampan blinkar snabbt.	Slå av maskinen genom att trycka på knappen PÅ/AV, slå sen på den efter cirka en minut och starta om programmet. Om problemet kvarstår, koppla ur apparaten i 1 minut och koppla sedan tillbaka den igen.	
Diskmaskinen töms inte. Displayen visar: 3 och PÅ/AV-LED-lampan blinkar snabbt.	Diskprogrammet är ännu inte avslutat.	Vänta till diskprogrammet är klart.
	Tömningsslangen är böjd.	Kontrollera att tömningsslangen inte är böjd (se <i>INSTALLATION</i>).
	Dishons avloppsrör är blockerat. Filtret är igensatt av matrester	Rengör dishons avloppsrör. Rengör filtret (se <i>RENGÖRING AV FILTERENHET</i>).
Diskmaskinen bullrar för mycket.	Tallrikarna skramlar mot varandra.	Placera porslinet rätt (se <i>STÄLLA IN DISKEN</i>).
	En överdriven mängd skum har producerats.	Diskmedlet har inte doserats rätt, eller är inte lämpligt för användning i diskmaskin (se <i>PÅFYLLNING AV DISKMEDELSBEHÅLLAREN</i>). Starta om det aktuella programmet genom att stänga av diskmaskinen och sedan slå på den igen, välja ett nytt program, trycka på START/Paus och stänga luckan inom 4 sekunder. Fyll inte på något diskmedel.
Disken blir inte ren.	Porslinet har inte placerats rätt.	Placera porslinet rätt (se <i>STÄLLA IN DISKEN</i>).
	Spolarmarna kan inte rotera fritt, de hindras av disken.	Placera porslinet rätt (se <i>STÄLLA IN DISKEN</i>).
	Diskprogrammet är för mildt.	Välj ett lämpligt diskprogram (se <i>PROGRAMTABELL</i>).
	En överdriven mängd skum har producerats.	Diskmedlet har inte doserats rätt, eller är inte lämpligt för användning i diskmaskin (se <i>PÅFYLLNING AV DISKMEDELSBEHÅLLAREN</i>).
	Sköljmedelsbehållarens lock är inte ordentligt stängt.	Kontrollera att locket till sköljmedelsbehållaren är stängt.
	Filtret är smutsigt eller igensatt. Det finns inget salt.	Rengör filterenheten (se <i>SKÖTSEL OCH UNDERHÅLL</i>). Fyll saltbehållaren (se <i>PÅFYLLNING AV SALTBEHÅLLAREN</i>).
Diskmaskinen tar inte in vatten. Displayen visar: H, 6 och PÅ/AV-LED-lampan blinkar snabbt.	Inget vatten i vattentillförseln eller stängd kran.	Kontrollera att det finns vatten i vattentillförseln eller att kranen är öppen.
	Tilloppsslangen är böjd.	Kontrollera att tilloppsslangen inte är böjd (se <i>INSTALLATION</i>) omprogrammera diskmaskinen och starta på nytt.
	Silen i inloppsvattenslangen är igensatt, den måste rengöras.	Efter kontroll och rengöring, slå på och slå av diskmaskinen och starta om ett nytt program.
Diskmaskinen avslutar programmet i förtid. Displayen visar: 15 och PÅ/AV-LED-lampan blinkar snabbt.	Avloppsslangen är placerad för lågt eller sugts in i hemavloppssystemet.	Kontrollera om änden av avloppsslangen är placerad i rätt höjd (se <i>INSTALLATION</i>). Kontrollera om den sugts in i hemavloppssystemet, montera luftventilen vid behov.
	Luft i vattenförsörjningen.	Kontrollera vattenförsörjningen för läckor eller andra problem med luftinsläpp.



Retningslinjer, standarddokumentation, bestilling af reservedele og supplerende produktinformation kan findes ved at:

- Besøge vores website docs.whirlpool.eu og parts-selfservice.whirlpool.com
- Använda QR-koden
- Eller, **genom att kontakta vår Kundservice** (Se telefonnumret i garantihäftet). När du kontaktar vår kundservice, ange koderna som står på produktens typskylt.

Modellinformationen kan hämtas med QR-koden som finns på energietiketten. Etiketten innehåller också modellidentifieraren som kan användas för att konsultera registerportalen på <https://eprel.ec.europa.eu>.

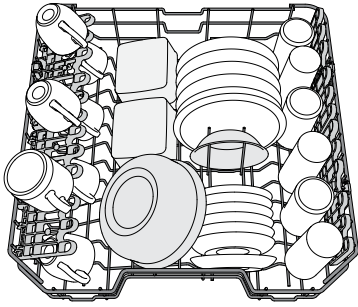


400011671420
03/2023 ks - Xerox Fabriano



ŁADOWANIE KOSZY

GÓRNY KOSZ



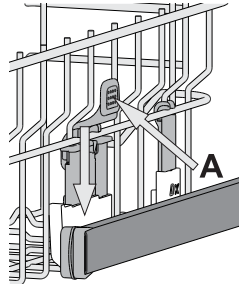
(przykładowe załadowanie górnego kosza)

Tu należy wkładać delikatne i lekkie naczynia: szklanki, filiżanki, talerzyki, małe miseczki do sałatek.

REGULACJA WYSOKOŚCI GÓRNEGO KOSZA

Wysokość górnego kosza można wyregulować: wyższe położenie umożliwi umieszczenie dużych naczyń w dolnym koszu, a niższe pozwala na najwyższe ustawienie podnoszonych wsporników, co daje więcej miejsca u góry, a jednocześnie pozwala uniknąć stykania się z naczyniami umieszczonymi w dolnym koszu. Górny kosz jest wyposażony w **regulator wysokości górnego kosza** (patrz ilustracja); bez naciskania dźwigni, można łatwo podnieść kosz trzymając go za boczne części i umieszczając stabilnie w górnym położeniu.

Aby przywrócić dolne położenie, nacisnąć dźwignię **A** po bokach kosza i przesunąć kosz w dół.



Zdecydowanie zalecamy, aby nie regulować wysokości kosza, gdy jest załadowany.

NIGDY nie podnosić lub opuszczać kosza tylko z jednej strony.

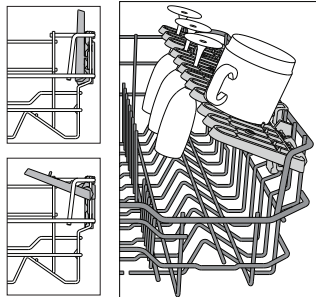
SKŁADANE PÓLECZKI Z REGULOWANYM POŁOŻENIEM

Boczne składane klapy można złożyć lub rozłożyć, aby zoptymalizować ułożenie naczyń w koszyku.

Kieliszki do wina można bezpiecznie umieścić, wkładając nóżkę każdego kieliszka do odpowiedniego otworu.

W zależności od modelu:

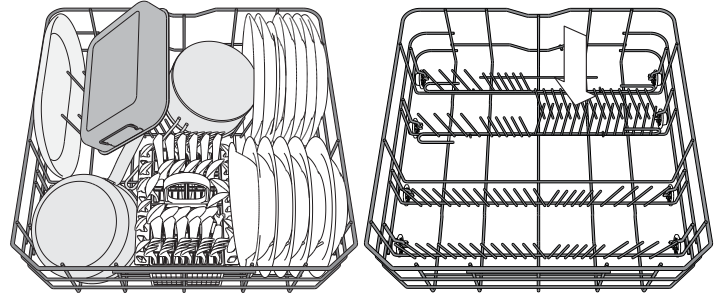
- aby rozłożyć klapy, należy wysunąć je do góry i obrócić lub zwolnić z zatrzasków i pociągnąć do dołu.
- aby złożyć klapy, należy obrócić je i wsunąć je do dołu lub wyciągnąć do góry i zamocować do zatrzasków.



DOLNY KOSZ

Do garnków, pokrywek, talerzy, misek do sałatek, sztućców itp. Duże talerze i pokrywki powinny być umieszczane z boku, aby uniknąć stykania się z ramieniem natryskowym.

Dolny kosz jest wyposażony w podnoszone wsporniki, które mogą być używane w położeniu pionowym przy wkładaniu talerzy lub w położeniu poziomym, aby ułatwić wkładanie patelni i misek.

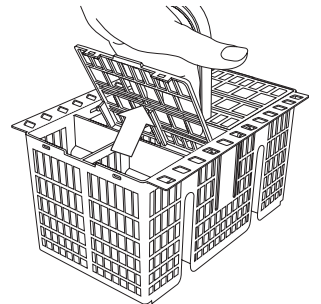


(przykład sposobu załadowania dolnego kosza)

KOSZYK NA SZTUĆCE

Koszyk jest wyposażony w górne kratki, które pozwalają na lepsze rozmieszczenie sztućców. Koszyk na sztućce powinien być umieszczany tylko w przedniej części dolnego kosza.

Noże i inne akcesoria o ostrych czubkach i krawędziach należy wkładać do koszyka na sztućce ostrzami skierowanymi w dół lub układać je poziomo na podnoszonych półeczkach, w górnym koszu.



SYSTEM POWER CLEAN W DOLNYM KOSZU

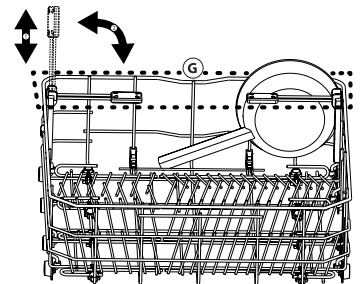
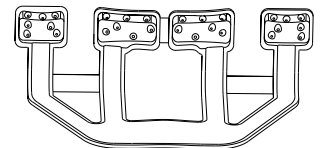
System Power Clean® wykorzystuje specjalne dysze wodne znajdujące się z tyłu komory, które pozwalają na intensywne mycie bardzo zabrudzonych naczyń. Dolny kosz posiada miejsce do umieszczenia dużych przedmiotów.

Z tyłu kosza znajduje się specjalny wysuwany wspornik, który może być używany do podparcia patelni lub blach do pieczenia i ustawienia ich pionowo, dzięki czemu będą zajmowały mniej miejsca.

Umieszczając garnki/patelnie skierowane w stronę elementu Power Clean®, należy włączyć **POWER CLEAN** na panelu sterowania.

Stosowanie opcji Power Clean®:

1. Dostosować obszar Power Clean (G), składając tylne uchwyty w taki sposób, aby móc włożyć garnki.
2. Włożyć przechylone w pionie garnki i patelnie w obszar Power Clean®. Garnki muszą być zwrócone w kierunku silnych dysz wodnych.



CODZIENNA EKSPLOATACJA

1. SPRAWDZENIE PRZYŁĄCZA WODY

Sprawdzić, czy zmywarka jest podłączona do instalacji wodnej i czy zawór wody jest otwarty.

2. WŁĄCZANIE ZMYWARKI

Otworzyć drzwiczki i nacisnąć przycisk **WŁ./WYŁ.**

3. WKŁADANIE NACZYŃ DO KOSZA

(patrz ŁADOWANIE KOSZY)

4. NAPEŁNIANIE DOZOWNIKA DETERGENTU

5. WYBÓR PROGRAMU I DOSTOSOWANIE CYKLU

Wybrać najbardziej odpowiedni program, dostosowany do typu naczyń i stopnia ich zabrudzenia (patrz OPIS PROGRAMÓW), naciskając przycisk **P**.

Wybrać żądane opcje (patrz OPCJE I FUNKCJE).

6. START

Aby rozpocząć cykl zmywania, należy nacisnąć przycisk **START/Pauza** (zaświeci się dioda LED), a następnie w ciągu 4 sek. od tej czynności, zamknąć drzwiczki. Po uruchomieniu programu pojawi się pojedynczy sygnał dźwiękowy. Jeśli drzwiczki nie zostaną zamknięte w ciągu 4 sekund, rozlegnie się dźwięk alarmu. W takim przypadku otworzyć drzwiczki, nacisnąć przycisk **START/Pauza** i ponownie zamknąć drzwiczki w ciągu 4 sek.

7. KONIEC CYKLU ZMYWANIA

Zakończenie cyklu zmywania jest sygnalizowane przez sygnał dźwiękowy i migający komunikat numeru cyklu zmywania na wyświetlaczu.

Otworzyć drzwiczki i wyłączyć urządzenie, naciskając przycisk **WŁ./WYŁ.**

Przed wyjęciem naczyń odczekać kilka minut - aby uniknąć oparzenia. Wyjąć naczynia, zaczynając od dolnego kosza.

Po dłuższym czasie braku aktywności urządzenie wyłączy się automatycznie, w celu zminimalizowania zużycia energii elektrycznej. Gdy naczynia są tylko lekko zabrudzone lub przed umieszczeniem ich w zmywarce zostały spłukane wodą, można odpowiednio zmniejszyć ilość używanego detergentu.

MODYFIKOWANIE URUCHOMIONEGO PROGRAMU

Jeżeli wybrano niewłaściwy program, można go zmienić, pod warunkiem, że właśnie się on rozpoczął: otworzyć drzwiczki, nacisnąć i przytrzymać przycisk **WŁ./WYŁ.**; urządzenie wyłączy się.

Włączyć zmywarkę z powrotem, za pomocą przycisku **WŁ./WYŁ.** i wybrać nowy cykl zmywania oraz żądane opcje; uruchomić cykl, naciskając przycisk **START/Pauza** i zamykając drzwiczki w ciągu 4 sek.

UMIESZCZANIE DODATKOWYCH NACZYŃ

Otworzyć drzwiczki bez wyłączania urządzenia (**START/Pauza**, dioda ledowa zaczyna migać) (**uwaga na GORAĆĄ parę!**) i umieścić naczynia w zmywarce. Nacisnąć przycisk **START/Pauza** i zamknąć drzwiczki w ciągu 4 sek. Cykl zostanie wznowiony od momentu, w którym go przerwano.

PRZYPADKOWE PRZERWY

Jeśli drzwiczki zostaną otwarte podczas zmywania lub nastąpi przerwa w zasilaniu, cykl zatrzyma się. Aby wznowić cykl od momentu, w którym został przerwany, nacisnąć przycisk **START/Pauza** i zamknąć drzwiczki w ciągu 4 sek.

PORADY I WSKAZÓWKI

PORADY

Przed włożeniem naczyń do kosza, należy usunąć wszystkie resztki jedzenia i opróżnić szklanki. **Nie trzeba ich wcześniej płukać pod bieżącą wodą.** Rozmieścić naczynia tak, aby były mocno utrzymywane na miejscu i nie mogły się przewrócić; pojemniki ułożyć tak, aby ich otwory były skierowane w dół, a włókna/wypukłe elementy były ustawione ukośnie, dzięki czemu woda będzie mogła docierać do każdej powierzchni i swobodnie przepływać.

Ostrzeżenie: pokrywki, uchwyty, tace i patelnie nie mogą uniemożliwiać obracania się ramion natryskowych.

Wszystkie małe przedmioty należy umieszczać w koszyku na sztućce.

Bardzo zabrudzone naczynia i patelnie powinny być umieszczane w dolnym koszu, ponieważ w tej części komory zmywarki strumienie wody są silniejsze i zmywanie jest bardziej skuteczne.

Po włożeniu naczyń do zmywarki trzeba sprawdzić, czy ramiona natryskowe mogą obracać się swobodnie.

NACZYŃIA NIE NADAJĄCE SIĘ DO ZMYWANIA W ZMYWARKACH

- Naczynia i sztućce drewniane.
- Szklanki z delikatnym zdobieniem, wyroby artystyczne lub naczynia zabytkowe. Ich zdobienia nie są odporne.
- Elementy z tworzywa sztucznego, które nie są odporne na wysokie temperatury.
- Naczynia miedziane i cynowe.
- Naczynia zabrudzone popiołem, woskiem, smarem lub tuszem. Kolory szklanych dekoracji oraz aluminiowe/srebrne części mogą zmienić się lub ściemnieć podczas zmywania. Niektóre rodzaje wyrobów szklanych (np. kryształ) mogą stracić przezroczystość po zbyt wielu cyklach zmywania.

USZKODZENIE NACZYŃ SZKLANYCH I PORCELANOWYCH

- W zmywarkach można myć tylko takie naczynia szklane i porcelanowe, których producent deklaruje, że są przeznaczone do zmywarek.
- Używać delikatnego detergentu, przeznaczonego do porcelany
- Naczynia szklane i porcelanowe należy wyjmować ze zmywarki, jak tylko zmywanie się skończy.

WSKAZÓWKI DOTYCZĄCE OSZCZĘDZANIA ENERGII

- Jeśli zmywarka domowa użytkowana jest zgodnie z zaleceniami producenta, **zmywanie naczyń w zmywarce zazwyczaj pochłania MNIEJ ENERGII ELEKTRYCZNEJ i mniej wody niż zmywanie ręczne.**
- Aby maksymalnie zwiększyć wydajność zmywarki, **należy uruchamiać cykl zmywania po pełnym załadunku urządzenia.** Ładowanie zmywarki domowej w stopniu zalecanym przez producenta przyczyni się do oszczędności energii elektrycznej i wody. Informacje na temat prawidłowego ładowania naczyń w zmywarce można odnaleźć w rozdziale ŁADOWANIE KOSZY. W przypadku częściowego załadunku, zaleca się skorzystanie ze specjalnych opcji, jeśli są one dostępne (Połowa załadunku/ Zone Wash/ Multizone), zapewniając jedynie wybrane kosze. Nieprawidłowe lub nadmierne ładowanie zmywarki może spowodować zwiększenie zużycia mediów (np. wody, energii, czasu lub zwiększenie poziomu hałasu), co wpływa negatywnie na wydajność suszenia.
- Ręczne spłukiwanie naczyń przyczynia się do większego zużycia wody i energii elektrycznej i nie jest zalecane.

DEZYNFEKCJA ZMYWARKI

Aby uniknąć powstawania nieprzyjemnych zapachów i tworzenia się osadów, które mogą pojawić się w zmywarce, **należy co najmniej raz w miesiącu włączyć program z wysoką temperaturą.** Aby wyczyścić zmywarkę, należy wysypać/wlać jedną łyżeczkę detergentu i włączyć program bez wkładania naczyń.

UTRZYMANIE I KONSERWACJA

CZYSZCZENIE ZESPOŁU FILTRA

Zespół filtra należy regularnie czyścić, zapobiegając jego zapychaniu i zapewniając prawidłowy odpływ ścieków.

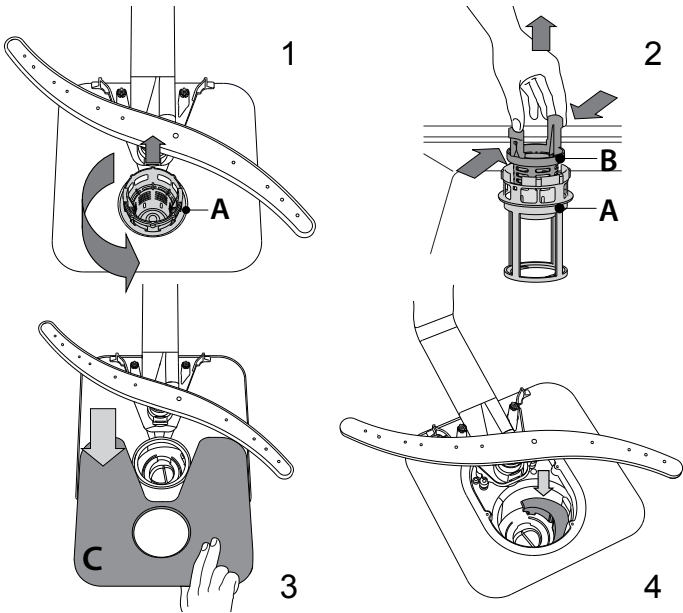
Używanie zmywarki, w której zablokowane są filtry lub zawierającej ciała obce w układzie filtrowania może spowodować nieprawidłowe działanie urządzenia, co prowadzi do obniżenia wydajności, głośnej pracy lub większego wykorzystania mediów.

Zespół filtra składa się z trzech filtrów, które usuwają resztki jedzenia z myjącej wody, a następnie umożliwiają jej obieg.

Nie wolno używać zmywarki bez filtrów lub jeśli filtry są źle zamocowane.

Co najmniej raz na miesiąc lub po każdym 30 cyklach zmywania należy sprawdzić zespół filtra i w razie potrzeby oczyścić go dokładnie pod bieżącą wodą za pomocą szczoteczki z niemetalem włosiem i postępując zgodnie z poniższymi instrukcjami:

1. Odkręcić filtr cylindryczny **A** w kierunku ruchu wskazówek zegara i wyciągnąć go (Rys. 1).
2. Zdjąć korek filtra **B** lekko naciskając boczne klapki (Rys. 2).
3. Wysunąć filtr płytkowy ze stali nierdzewnej **C** (Rys. 3).
4. W przypadku odnalezienia ciał obcych (np. potłuczonego szkła, porcelany, kości, pestek owoców itp.), **należy je ostrożnie wyjąć**.
5. Sprawdzić syfon i usunąć wszelkie resztki potraw. **NIGDY NIE NALEŻY WYJMOWAĆ** osłony pompy cyklu myjącego (czarny element) (Rys. 4).



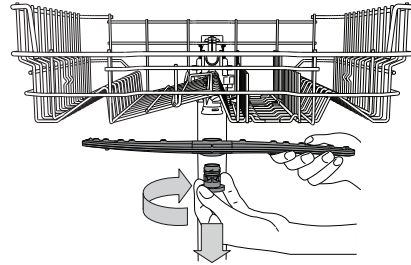
Po oczyszczeniu filtrów założyć z powrotem zespół filtra i zamocować go w prawidłowym położeniu; jest to niezbędne dla utrzymania sprawnego funkcjonowania zmywarki.

CZYSZCZENIE WĘŻA DOPŁYWOWEGO WODY

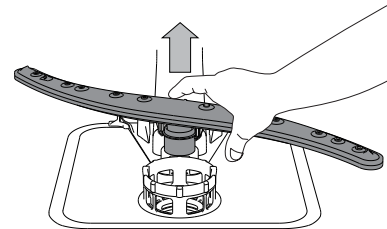
Jeśli węże wody są nowe lub nie były używane przez dłuższy czas, to przed wykonaniem niezbędnych połączeń należy przepuścić przez nie strumień wody, aby upewnić się, czy woda jest czysta i wolna od zanieczyszczeń. Jeśli takie środki ostrożności nie zostaną podjęte, wlot wody może zostać zablokowany, a zmywarka uszkodzona.

CZYSZCZENIE RAMION NATRYSKOWYCH

Może się zdarzyć, że resztki potraw pozostaną na ramionach natryskowych i będą zatykać otwory, przez które wytryskiwana jest woda. Dlatego też zaleca się, aby od czasu do czasu sprawdzić ramiona natryskowe i oczyścić je małą szczoteczką z niemetalem włosiem.



Aby zdjąć górne ramię natryskowe należy przekręcić plastikowy pierścień blokujący w kierunku ruchu wskazówek zegara. Górne ramie natryskowe powinno zostać z powrotem założone w taki sposób, aby strona z większą liczbą otworów była skierowana do góry.



Dolne ramie natryskowe można wyjmować pociągając je w górę.

SYSTEM ZMIĘKCZANIA WODY

Zmiękczacz wody automatycznie zmniejsza twardość wody, tym samym zapobiegając nagromadzeniu osadu na grzałce co z kolei przyczynia się do większej wydajności zmywania.

System sam regeneruje się przy pomocy soli, zatem zbiornik soli należy uzupełniać jak tylko będzie pusty.

Częstotliwość regeneracji jest uzależniona od ustawienia stopnia twardości wody - regeneracja ma miejsce raz na 6 cykli Eco przy poziomie twardości wody ustawionym na 3.

Proces regeneracji rozpoczyna się wraz z ostatnim płukaniem i kończy podczas etapu suszenia przed końcem cyklu.

- Podczas jednej regeneracji: ~Zużycie 3.5 L wody;
- Dodatkowe 5 minut cyklu;
- Zużycie poniżej 0,005 kWh energii elektrycznej.

USUWANIE USTEREK

Jeśli zmywarka nie działa prawidłowo, należy sprawdzić czy problem można rozwiązać wykonując czynności opisane poniżej. W przypadku błędów lub problemów prosimy skontaktować się z zakładem serwisowym, którego dane kontaktowe można odnaleźć w książeczce gwarancyjnej. Części zamienne będą dostępne przez okres do 7 lub do 10 lat, zgodnie z określonymi wymaganiami rozporządzenia.

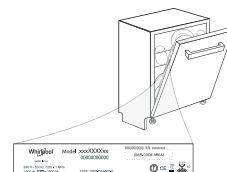
PROBLEM	MOŻLIWE PRZYCZYNY	ROZWIĄZANIE
Świeci się wskaźnik poziomu soli	Zbiornik soli jest pusty. (Po napełnieniu kontrolka poziomu soli może się świecić po zakończeniu kilku kolejnych programów zmywania).	Napełnić zbiornik solą (aby uzyskać więcej informacji, patrz strona 2). Dostosować poziom twardości wody, patrz tabela strona 2.
Świeci się wskaźnik dozownika płynu nablyszczającego	Dozownik płynu nablyszczającego jest pusty. (Po napełnieniu kontrolka dozownika płynu nablyszczającego może się świecić po zakończeniu kilku kolejnych programów zmywania).	Napełnić dozownik nablyszczaczem (aby uzyskać więcej informacji, patrz strona 2).
Zmywarka nie włącza się lub nie reaguje na polecenia.	Urządzenie nie zostało prawidłowo podłączone do zasilania. Przerwa w dopływie prądu. Drzwiczki zmywarki nie są zamknięte. Sworzeń NaturalDry nie jest wsunięty. Cykl został przerwany otwarciem drzwiczek przez > 4 sekundy. Nie reaguje na polecenia. Na wyświetlaczu widoczny jest komunikat: Dioda 9 albo 12 i Wł./Wył. szybko migają.	Włożyć wtyczkę przewodu zasilającego do gniazdka. Ze względów bezpieczeństwa, zmywarka nie wznowi automatycznie pracy po ponownym włączeniu prądu. Otworzyć drzwiczki zmywarki, nacisnąć przycisk START/Pauza i zamknąć drzwiczki w przeciągu 4 sekund. Energicznie popchnąć drzwiczki tak, aby było słychać że zostały "zatrzasknięte". Nacisnąć przycisk START/Pauza i zamknąć drzwiczki w ciągu 4 sekund. Wyłączyć urządzenie naciskając przycisk WŁ./WYŁ. , po ok. jednej minucie włączyć je z powrotem i zrestartować program. Jeśli problem nadal występuje, należy odłączyć urządzenie na 1 minutę a następnie podłączyć ponownie.
Zmywarka nie odpompowuje wody. Na wyświetlaczu widoczny jest komunikat: Dioda 3 i Wł./Wył. szybko migają.	Cykl zmywania jeszcze nie został zakończony. Wąż spustowy jest zagięty. Rura odpływu zlewu jest zatkana. Filtr jest zatkany resztkami potraw	Poczekać, aż skończy się cykl zmywania. Sprawdzić, czy wąż odpływowy nie jest zagięty (patrz INSTRUKCJA INSTALACJI). Oczyścić rurę odpływu w zlewie. Oczyścić filtr (patrz CZYSZCZENIE ZESPOŁU FILTRA).
Zmywarka pracuje zbyt głośno.	Naczynia uderzają o siebie. Wytwarzana jest nadmierna ilość piany.	Prawidłowo ułożyć naczynia (patrz ŁADOWANIE KOSZY). Porcja detergentu nie została poprawnie odmierzona, albo detergent nie nadaje się do stosowania w zmywarkach (patrz NAPEŁNIANIE DOZOWNIKA DETERGENTU). Zrestartować bieżący cykl wyłączając zmywarkę, następnie włączyć ponownie, wybrać nowy program, nacisnąć przycisk START/Pauza i zamknąć drzwiczki w przeciągu 4 sekund. Nie dodawać żadnego detergentu.
Naczynia nie są czyste.	Naczynia nie zostały prawidłowo rozmieszczone. Ramiona natryskowe nie mogą obracać się swobodnie, zaczepiają się o naczynia. Cykl zmywania jest zbyt delikatny. Wytwarzana jest nadmierna ilość piany. Pokrywka przegródki na płyn nablyszczający nie została prawidłowo zamknięta. Filtr jest brudny lub zatkany. Nie ma soli.	Prawidłowo ułożyć naczynia (patrz ŁADOWANIE KOSZY). Prawidłowo ułożyć naczynia (patrz ŁADOWANIE KOSZY). Wybierz odpowiedni cykl zmywania (patrz TABELA PROGRAMÓW). Porcja detergentu nie została poprawnie odmierzona, albo detergent nie nadaje się do stosowania w zmywarkach (patrz NAPEŁNIANIE DOZOWNIKA DETERGENTU). Upewnić się, czy dozownik płynu nablyszczającego jest zamknięty. Oczyścić zespół filtra (patrz UTRZYMANIE I KONSERWACJA). Napełnić zbiornik soli (patrz NAPEŁNIANIE ZBIORNIKA SOLI).
Zmywarka nie napełnia się wodą. Na wyświetlaczu widoczny jest komunikat: Dioda H, 6 i Wł./Wył. szybko migają.	Brak wody w sieci wodociągowej lub zawór jest zamknięty. Wąż dopływowy jest zagięty. Sitko w węży dopływowy wody jest zapchane; niezbędne jest jego oczyszczenie.	Sprawdzić, czy woda dopływa z sieci wodociągowej lub czy zawór jest otwarty. Sprawdzić czy wąż dopływowy nie jest zagięty (zobacz INSTALACJA), następnie ponownie zaprogramować i włączyć zmywarkę. Po wykonaniu sprawdzenia i oczyszczenia należy wyłączyć i włączyć zmywarkę, i rozpocząć nowy program.
Zmywarka kończy cykl przedwcześnie. Na wyświetlaczu widoczny jest komunikat: Dioda 15 i Wł./Wył. szybko migają.	Wąż dopływowy ustawiony jest zbyt nisko lub zasysa do kanalizacji domowej. Powietrze w dopływie wody.	Sprawdzić czy końcówka węża dopływowego umieszczona jest na prawidłowej wysokości (zobacz INSTALACJA). Należy sprawdzić pod kątem zasysania do kanalizacji domowej, w razie potrzeby zainstalować zawór wpustowy. Sprawdzić układ doprowadzania wody pod kątem wycieków lub innych problemów mogących wiązać się z przepuszczaniem powietrza.



Zasady, standardową dokumentację, informacje na temat zamawiania części zamiennych oraz dodatkowe informacje o produkcie można znaleźć:

- Odwiedzając naszą stronę internetową docs.whirlpool.eu i parts-selfservice.whirlpool.com
- Używając kodu QR
- Ewentualnie można skontaktować się z naszą obsługą posprzedażową (patrz numer telefonu w książeczce gwarancyjnej). Kontaktując się z naszą obsługą posprzedażową, należy podać kody zamieszczone na tabliczce identyfikacyjnej produktu.

Informacje o modelu można uzyskać przy pomocy kodu QR podanego na etykiecie energetycznej. Etykieta zawiera również identyfikator modelu, którego można użyć do znalezienia informacji na portalu rejestru pod adresem <https://eprel.ec.europa.eu>.



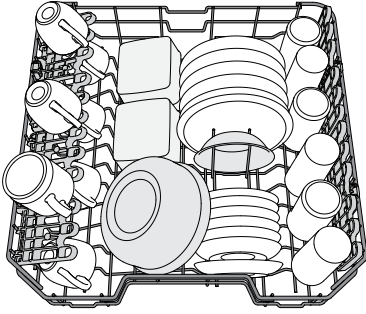
400011671420

03/2023 ks - Xerox Fabriano



LASTING AV KURVENE

ØVRE KURV



(eksempel på lasting av den øvre kurven)

Last ømfintlige og lette tallerkener: glass, kopper, tallerkener og lave salatboller.

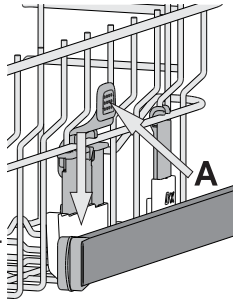
REGULERING AV HØYDEN TIL DEN ØVRE KURVEN

Høyde til den øvre kurven kan reguleres: høy posisjon for å plassere uregelmessig servise i den nedre kurven og lav posisjon for å gjøre mest mulig ut av de sammenleggbare klaffene ved å skape mer plass i høyden og å unngå kollisjon med gjenstander som er lastet i den nedre kurven.

Den øvre kurven er utstyrt med en **Anordning for høyderegulering av øvre kurv** (se figur), uten å trykke på spakene, løft den ganske enkelt opp ved å holde på sidene til kurven, så snart kurven er stabil i øvre posisjon.

For å gjenopprette den nedre posisjonen, trykk på spakene **A** på sidene til kurven og beveg kurven nedover.

Vi fraråder deg på det sterkeste å regulere høyden til brettet når den er lastet. Du må ALDRI heve eller senke kurven kun på én side.



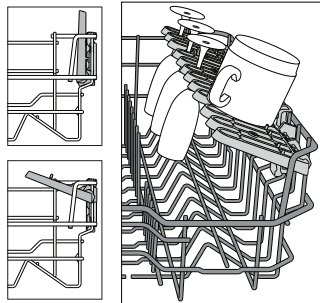
SAMMENLEGGBARE KLAPPER MED REGULERBAR POSISJON

De sammenleggbare klaffene på siden kan klappes ut eller klappes sammen for å optimere plasseringen av serviset i kurven.

Vinglass kan plasseres sikkert i de sammenleggbare klaffene ved å sette stemmen til hvert glass inne i de tilhørende åpningene.

Avhengig av modellen:

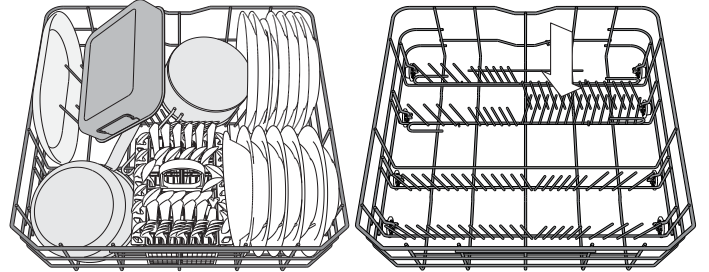
- for å slå ut klaffene er det nødvendig å skyve den opp og rotere den eller frigjøre den fra hektene og trekke den ned.
- for å klappe sammen klaffene er det nødvendig å rotere den og la klaffen gli ned eller dra den opp og feste klaffen til hektene.



NEDRE KURV

For gryter, lokk, tallerkener, salatboller, bestikk etc. Store tallerkener og lokk bør ideelt sett plasseres på sidene for å unngå at de kommer i veien for spylararmen.

Den nederste kurven har støtter som vendes oppover og som kan anvendes i vertikal posisjon når tallerkener plasseres eller horisontal posisjon (nedre) for å stable kjeler og salatboller på en enkel måte.

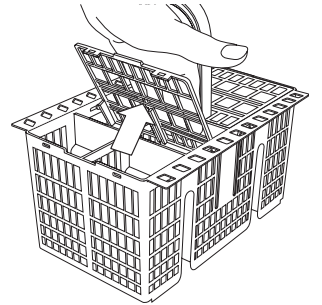


(eksempel på stabling av den nedre kurven)

BESTIKKURV

Den er utstyrt med et topp gitter for å gjøre det enklere å plassere bestikket. Det må kun plasseres framme på den nedre kurven.

Kniver og annet kjøkkenredskap med skarpe kanter må plasseres i bestikkurven med spissen vendt nedover eller de må plasseres horisontalt i vipperommene i den øvre kurven.



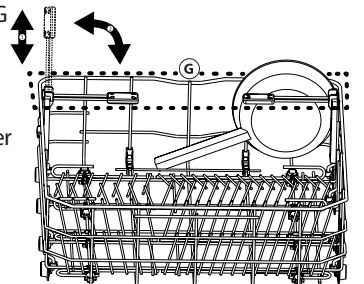
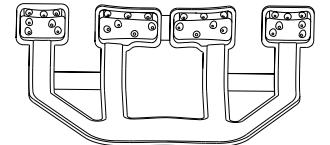
POWER CLEAN® I NEDRE KURV

Power Clean® bruker de spesielle vanddysene bak i rommet for å vaske høye, skitne gjenstander bedre. Ved å plassere kjeler/gryter vendt mot Romområde komponentene vennligst aktivere **POWER CLEAN** på panelet.

Den nedre kurven har et Romområde, en spesiell utdrags- støtte bakerst i kurven som kan benyttes til å støtte stekepanner eller bakepanner i stående posisjon slik at de tar opp mindre plass.

Hvordan bruke Power Clean®:

1. Klargjør Power Clean®-området G ved å folde ned de bakre tallerkenholderne for å legge inn gryter.
2. Legg inn gryter og kokeredskaper på skrå i Power Clean®-området. Gryter må plasseres på skrå mot vannstrålene.



DAGLIG BRUK

1. KONTROLLER VANNTILKOPLINGEN

Kontroller at oppvaskmaskinen er tilkoblet vannforsyningen og at vannkran er åpen.

2. SLÅ PÅ OPPVASKMASKINEN

Åpne døren og trykk på **PÅ/AV** knappen.

3. LAST KURVENE (se Fylling av kurvene)

4. Fylling av dispenser for oppvaskmiddel

5. VELG PROGRAMMET OG TILPASS SYKLUSEN

Velg det best egnede programmet i henhold til type servise og hvor skittent dette er (se *PROGRAMBESKRIVELSE*) ved å trykke på **P** knappen.

Velg opsjonene du ønsker (se *OPSJONER OG FUNKSJONER*).

6. START

Start vaskesyklusen ved å trykke på **START/Pause** knappen (led lyser) og lukk døren innen 4 sek. Når programmet starter vil du høre en enkel pipelyd. Dersom døren ikke lukkes innen 4 sek., vil du høre alarmlyden. I dette tilfellet må du åpne døren, trykke på **START/Pause**-knappen og lukk døren igjen innen 4 sek.

7. EAVSLUTTET VASKESYKLUS

Når vaskesyklusen er avsluttet, høres noen lydsignaler og programnummeret blinker på displayet. Åpne døren og slå av apparatet ved å trykke på **PÅ/AV** knappen.

Vent noen få minutter før du fjerner serviset - for å unngå å brenne deg. Ta ut av kurvene, begynn med den nederste.

Maskinen vil slå seg av automatisk når den ikke har vært aktiv i en viss tid, for å redusere energiforbruket.

Dersom kokekarene er lett skitne eller dersom en har skyllet av de med vann før de er stablet inne i oppvaskmaskinen, reduser mengden oppvaskmiddel tilsvarende.

ENDRING AV ET PROGRAM UNDER UTFØRING

Hvis et feil program ble valgt, er det mulig å endre dette, forutsatt at det nettopp har begynt: åpne døren, trykk og hold nede **PÅ/AV**-knappen, maskinen vil slå seg av.

Slå maskinen på igjen ved å bruke **PÅ/AV**-knappen og velg den nye vaskesyklusen og de opsjonene du ønsker; start syklusen ved å trykke på **START/Pause**-knappen og lukk døren innen 4 sek.

EKSTRA SERVICE TILFØRES

Uten å slå av maskinen, åpne døren (Led for **START/Pause** begynner å blinking) (**vær oppmerksom på VARM damp!**) og plasser serviset i oppvaskmaskinen. Trykk på **START/Pause**-knappen og lukk døren innen 4 sek., syklusen tas opp igjen fra det samme punktet som den ble stanset på.

TILFELDIGE AVBRUDD

Dersom døren åpnes mens vaskesyklusen pågår, eller ved strømbrytning, vil syklusen stanse. For gjenopprette syklusen fra det punkt den ble avbrutt på, må du trykke på **START/Pause**-knappen og lukke døren innen 4 sek.

RÅD OG TIPS

TIPS

Før du laster kurvene, må du fjerne rester av mat fra serviset og tømme glassene. **Du trenger ikke å skylle på forhånd under rennende vann.**

Ordne serviset, slik at den holdes på plass og ikke tipper over; og plasser karene slik at åpningen vender nedover og den konkave/konvekse delen plasseres skrått, slik at vannet kan nå enhver overflate og flyte fritt.

Advarsel: lokk, håndtak, kurver og stekepanner må ikke hindre spylarmerne i å rotere.

Plasser alle små gjenstander i bestikkurven.

Svært solide tallerkener og kar må plasseres i den nedre kurven, fordi vannspruten er kraftigere og ytelsen er bedre.

Etter at du har lastet apparatet, påse at spylarmerne roterer fritt.

IKKE EGNET SERVICE

- Servise eller bestikk i tre.
 - Ømfintlige og dekorerte glass, artistiske håndverk og antikk servise. Disse dekorasjonene er ikke motstandsdyktige.
 - Deler i syntetisk material som ikke tåler høye temperaturer.
 - Servise i kobber og tinn.
 - Servise som er skittent med aske, voks, smøremiddel eller blekk.
- Fargene til glassdekorasjonene og deler i aluminium/ sølv kan endre seg og falme i løpet av vaskesyklusen.
- Noen typer glass (f.eks. krystallgjenstander) kan bli opake etter et visst antall vaskesykluser.

SKADE PÅ GLASS OG SERVICE

- Bruk kun glass og porselen som produsenten garanterer for at kan vaskes i oppvaskmaskin.
- Bruk et skånsomt oppvaskmiddel for servise for å unngå hvite striper på glasset.
- Ta glass og servise ut av vaskemaskinen straks vaskesyklusen er over.

TIPS FOR Å SPARE ENERGI

- Når husholdningens oppvaskmaskin brukes i henhold til produsentens instruksjer, **forbruker en vanligvis MINDRE ENERGI og vann ved å vaske tallerkenene i oppvaskmaskinen enn ved å vaske de for hånd.**
- For å maksimere effektiviteten til oppvaskmaskinens **anbefaler en å starte vaskesyklusen når oppvaskmaskinen er full.** Ved å laste oppvaskmaskinen helt full i henhold til produsentens indikasjonen vil en spare både energi og vann. Informasjon med hensyn til riktig lasting av servise vil du finne i kapittelet LASTING AV KURVENE. Dersom oppvaskmaskinen kun lastes delvis (Halv last/ Sonevask/ Flersone), ved å fylle opp de valgte kurvene. Ikke riktig lasting eller for full oppvaskmaskin vil kunne øke forbruket av ressurser (som vann, energi og tid, i tillegg til at støynivået øker), med dårligere resultat ved renhold og tørking.
- Manuell skylling av serviset på forhånd fører til økt forbruk av vann og energi og anbefales derfor ikke.

HYGIENE

For å unngå lukt og avsetninger som kan samle seg i oppvaskmaskinen, **må du benytte et program med høy temperatur minst én gang i måneden.** Bruk en teskje med oppvaskmiddel og la den gå uten tallerkener og servise for å gjøre apparatet rent.

PLEIE OG VEDLIKEHOLD

RENHOLD AV FILTERENHETEN

Gjør filterenheten ren med jevne mellomrom slik at filtrene ikke tettes til og slik at avløpsvannet flyter vekk på riktig måte.

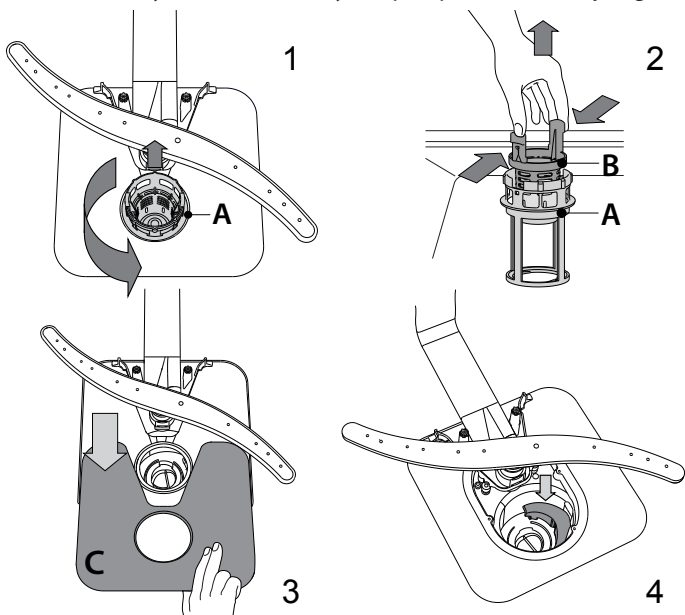
Bruk av oppvaskmaskinen med tette filter eller fremmedlegemer inne i filterets system eller sprayarmer vil kunne føre til at enheten ikke fungerer som den skal og dårligere resultat, mer støy eller økt ressursforbruk.

Filterenheten består av tre filtre som fjerner matrester fra vaskevannet og som resirkulerer vannet. De må være rene dersom du ønsker best mulig resultat ved hver vask.

Oppvaskmaskinen må ikke benyttes uten filter eller dersom filteret er løst.

Minst én gang i måneden eller etter 30 sykluser, må du kontrollere filterenheten og gjøre den grundig ren under rennende vann dersom det er nødvendig, bruk en børste som ikke er av metall og følg instruksene nedenfor:

1. Snu det sylindriske filteret **A** i retningen mot urviseren og dra det ut. (Figur 1).
2. Fjern koppfilteret **B** ved å utøve et lettere trykk på klaffene på siden (Figur 2).
3. Skyv ut filterplaten **C** i rustfritt stål (Figur 3).
4. Dersom du finner fremmedlegemer (som glassbiter, porselen, bein, fruktsteiner osv.) må disse fjernes forsiktig.
5. Inspiser fellen og fjern matrestene som måtte ha satt seg fast. **FJERN ALDRI** beskyttelsen til vaske-syklus pumpen (svart detalj) (Figur 4).



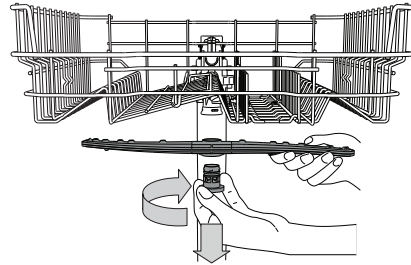
Etter at du har gjort filtrene rene, sett filterenheten tilbake på plass og juster den i riktig posisjon; dette er helt nødvendig for å oppnå effektiv drift av oppvaskmaskinen.

RENHOLD AV SLANGEN FOR VANNTILFØRSEL

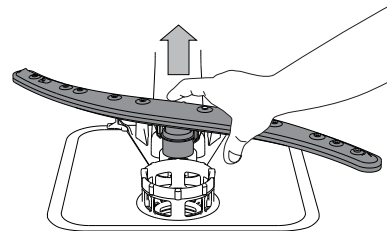
Dersom vannslangen er ny eller dersom den ikke har vært i bruk på en god stund, la vannet renne for å garantere at vannet er klart og fritt for urenheter før du utfører tilkoplingene som er nødvendige. Dersom disse forholdsreglene ikke tas, kan vanninntaket tette til og skade oppvaskmaskinen.

RENHOLD AV SPYLERARMENE

I noen tilfeller kan matrester sette seg fast på sprayarmer og blokkere hullene som vannet sprutes igjennom. Derfor bør du fra tid til annen kontrollere armene og gjøre de rene med en liten børste som ikke er av metall.



For å fjerne den øvre sprayarmen, vri plastringen for sperre i retningen med urviseren. Den øvre spylararmen bør skiftes ut slik at siden med flere åpninger vender oppover.



Den nedre sprayarmen kan fjernes ved å trykke på bladene på siden og dra de oppover.

VANNMYKNER

Vannmykneren reduserer automatisk vannets hardhet, dermed hindres kalkdannelse på varmeren, i tillegg til at effektiviteten ved renhold økes. **Dette systemet regenereres med salt, derfor må saltbeholderen fylles når den er tom.**



Hvor ofte regenereringen utføres avhenger av innstillingen av vannets hardhetsnivå - regenereringen skjer én gang hver 6 Eco-syklus når vannets hardhetsnivå er stilt inn på 3.

Regenereringsprosessen starter i siste skylling og avslutter i tørkefasen, før syklusen avsluttes.

- Enkel regenerering forbruker: ~3.5 l vann;
- Varer 5 minutter lenger enn vanlig syklus;
- Forbruker mindre enn 0.005 kWh energi.

FEILSØKINGS

Dersom oppvaskmaskinen din ikke fungerer som den skal, kontroller hvorvidt problemet kan løses ved å gå igjennom listen nedenfor. For andre feil eller problem, vennligst ta kontakt med godkjent Ettersalgsservice, kontaktadresse og telefonnummer vil du finne i garantiheftet. Reservedeler vil være tilgjengelig i en periode på enten 7 eller 10 år, i henhold til de spesifikke kravene i forskriftene.

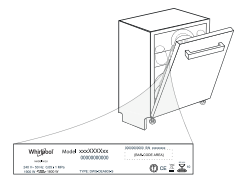
PROBLEMS	MULIGE ÅRSAKER	LØSNINGER
 Saltindikatoren er tent	Saltbeholderen er tom. (Etter påfylling kan saltindikatoren lyse selv i flere vaskesykluser).	Fyll på mer salt i beholderen (for mer informasjon – se side 2). Justere vannets hardhetsgrad – se tabell, side 2.
 Skyllemiddelindikatoren lyser	Dispenseren med skyllemiddel er tom. (Etter påfylling kan skyllemiddelindikatoren lyse selv i flere vaskesykluser).	Fyll på mer skyllemiddel i beholderen (for mer informasjon – se side 2).
Oppvaskmaskinen starter ikke eller den svarer ikke på kommandoene.	Apparatet er ikke riktig koplet til strømmettet.	Sett støpselet riktig inn i kontakten.
	Strømbrydd.	Av sikkerhetsmessige hensyn, vil ikke oppvaskmaskinen starte automatisk når strømmen kommer tilbake. Åpne oppvaskmaskinens dør, trykk på START/Pause knappen og lukk døren igjen i løpet av 4 sek.
	Døren til oppvaskmaskinen er ikke lukket godt igjen. NaturalDry-pluggen er ikke trukket inn.	Dytt døren kraftig igjen til du hører et "klikk".
	Syklusen er avbrutt ved at døren har stått opp i > 4 sekund.	Trykk på START/Pause og lukk døren i løpet av 4 sekund.
Oppvaskmaskinen svarer ikke på kommandoene. Displayet viser: 9 eller 12 og PÅ/AV LED blinker raskt.	Den svarer ikke på kommandoene. Displayet viser: 9 eller 12 og PÅ/AV LED blinker raskt.	Slå apparatet av ved å trykke på PÅ/AV knappen, slå det på igjen etter omtrent ett minutt og start programmet på nytt. Dersom problemet vedvarer, ta ut støpselet til apparatet i 1 minutt, før du setter det inn igjen.
	Vaskesyklusen er ikke avsluttet ennå.	Vent til vaskesyklusen avsluttes.
	Dreneringsslangen er bøyd.	Påse at dreneringsslangen ikke er bøyd (se INSTALLASJONSVEILEDNINGEN).
	Vaskens avløp er tett.	Gjør ren avløpet til vasken.
Oppvaskmaskinen skaper for mye støy.	Filteret er tettet til med matrester	Gjør rent filteret (se RENGJØRING AV FILTERENHETEN).
	Tallerkenene berører hverandre. Det har dannet seg for mye skum.	Plasser servise på riktig måte (se FYLLING AV KURVENE). Det er ikke målt riktig mengde oppvaskmiddel eller oppvaskmiddelet er ikke egnet for oppvaskmaskiner (se FYLLING AV DISPENSEREN MED OPPVASKMIDDEL). Start den aktuelle syklusen på nytt ved å slå AV oppvaskmaskinen, slå den deretter på igjen, velg et nytt program, trykk på START/Pause og lukk døren innen 4 sekund. Ikke tilsett noe oppvaskmiddel.
Tallerkenene er ikke rene.	Serviset er ikke stablet på riktig måte.	Plasser servise på riktig måte (se FYLLING AV KURVENE).
	Sprayarmene roterer ikke fritt, de hindres av tallerkenene.	Plasser servise på riktig måte (se FYLLING AV KURVENE).
	Vaskesyklusen er for skånsom.	Velg en egnet vaskesyklus (se PROGRAMTABELLEN).
	Det har dannet seg for mye skum.	Det er ikke målt riktig mengde oppvaskmiddel eller oppvaskmiddelet er ikke egnet for oppvaskmaskiner (se FYLLING AV DISPENSEREN MED OPPVASKMIDDEL).
	Lokket på dispenseren for skyllemiddel er ikke skikkelig lukket.	Påse at lokket til dispenseren for skyllemiddel er lukket.
	Filteret er skittent eller tett.	Gjør ren filterenheten (se STELL OG VEDLIKEHOLD).
	Det finnes ikke salt.	Fyll saltbeholderen (se FYLLING AV SALTBEHOLDER).
Oppvaskmaskinen tar ikke inn vann. Displayet viser: H , 6 og PÅ/AV LED blinker raskt.	Det finnes ikke vann i vannforsyningen eller kranen er stengt	Påse at det er vann i vannforsyningen eller at kranen er åpen.
	Inntaksslangen er bøyd.	Påse at inntaksslangen ikke er bøyd (se INSTALLASJON) omprogrammer oppvaskmaskinen og start på nytt.
	Silen i inntaksslangen er tett; Det er nødvendig å gjøre den ren.	Etter at du har kontrollert og gjort ren silen, slå av og slå på oppvaskmaskinen og start et nytt program.
Oppvaskmaskinen avslutter syklusen for tidlig. Displayet viser: 15 og PÅ/AV LED blinker raskt.	Dreneringsslangen er plassert for lavt eller avledet i husholdningens kloakksystem.	Kontroller at enden på dreneringsslangen er plassert på riktig høyde (se INSTALLASJON). Kontroller evt. avledning i husholdningens kloakksystem, installer ventil i luftinntaket dersom det er nødvendig.
	Luft i vannforsyningen.	Kontroller evt. lekkasjer i vannforsyningen eller andre problem som fører til at luft samles opp på innsiden.



Retningslinjer, standarddokumentasjon, bestilling av reservedeler og ekstra produktinformasjon vil du kunne finne ved å:

- Besøke vårt nettsted docs.whirlpool.eu og parts-selfservice.whirlpool.com
- Bruke QR-koden
- Alternativt kan du **kontakte vår Ettersalgsservice** (se telefonnummeret i garantiheftet). Når du kontakter vår Ettersalgsservice, vennligst oppgi kodene du finner på produktets typeskilt.

Du vil få tilgang til informasjonen om modellen ved å benytte QR-koden du finner på energietiketten. Etiketten inneholder også modellidentifikatoren som kan benyttes for å konsultere portalen til registeret på <https://eprel.ec.europa.eu>.



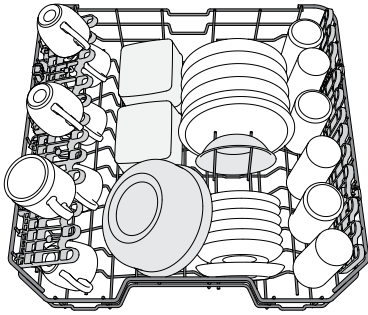
400011671420

03/2023 ks - Xerox Fabriano



REKKEN VULLEN

BOVENSTE REK



(laadvoorbeeld voor het bovenste rek)

Laden van kwetsbaar en licht vaatwerk: glazen, kopjes, schoteltjes, lage saladekommen.

DE HOOGTE VAN HET BOVENSTE REK AFSTELLEN

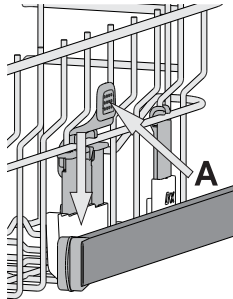
De hoogte van het bovenste rek kan worden afgesteld: hoge stand voor groot serviesgoed in de onderste mand en lage stand om optimaal gebruik te maken van de opklapbare steunen, door het creëren van meer ruimte naar boven en botsen met de items die in het onderste rek zijn geladen te voorkomen.

Het bovenste rek is uitgerust met een **hoogteversteller bovenste rek** (zie afbeelding), zonder op de hefboomen te hoeven drukken, opheffen door gewoon de zijkanten van het rek vast te houden, zodra het rek stabiel in de bovenste positie staat.

Voor herstellen naar de lagere positie op de hefboomen **A** aan de zijkanten van het rek drukken en de mand naar beneden verplaatsen.

Het is raadzaam de hoogte van het rek niet aan te passen wanneer het is geladen.

NOOIT de mand slechts aan één kant verhogen of verlagen.



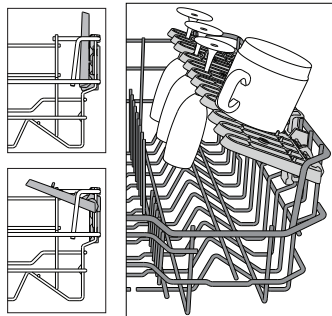
OPVUWBARE KLEPPEN MET VERSTELBARE STAND

De opvouwbare kleppen aan de zijkant kunnen worden opgevouwen of opgevouwen voor een optimale rangschikking van het serviesgoed in het rek.

Wijn glazen kunnen veilig in de opvouwbare kleppen worden geplaatst door de steel van elk glas in de overeenkomstige sleuven in te voeren.

Afhankelijk van het model:

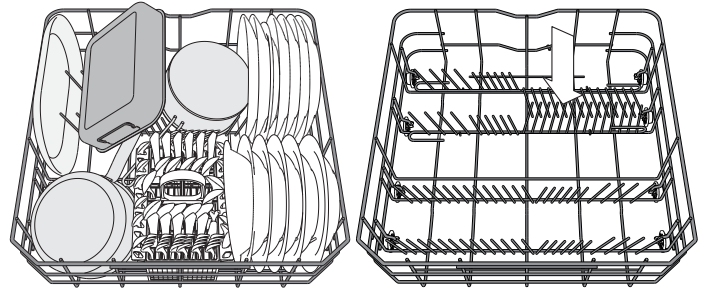
- om de kleppen open te vouwen moet u ze omhoog schuiven en roteren of ze losmaken van de klemmen en omlaag trekken.
- om de kleppen op te vouwen moet u ze roteren en omlaag schuiven of ze omhoog trekken en aan de klemmen vastmaken.



ONDERSTE REK

Voor potten, deksels, platen, saladekommen, bestek enz. Grote platen en deksels moeten idealiter aan de zijkanten worden geplaatst, om aanraking met de sproeierarmen te voorkomen.

Het onderste rek heeft opklapbare steunen die in een verticale positie kunnen worden gebruikt bij het schikken van platen of in een horizontale positie (lager) om pannen en saladekommen te laden.

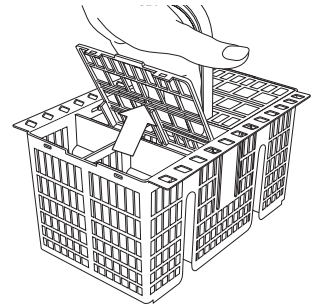


(laadvoorbeeld voor het onderste rek)

BESTEKMAND

De mand is uitgerust met rasters aan de bovenkant, om het bestek beter te kunnen rangschikken. De bestekmand mag alleen aan de voorkant van het onderste rek worden geplaatst.

Messen en andere gebruiksvoorwerpen met scherpe randen moeten in de bestekmand worden gezet met de punten naar beneden gericht of horizontaal geplaatst in de opklapbare compartimenten op het bovenste rek.



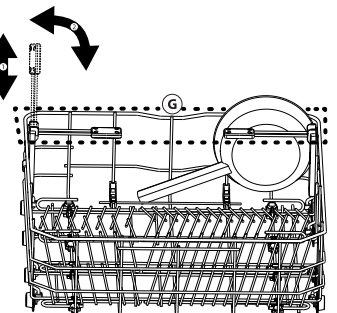
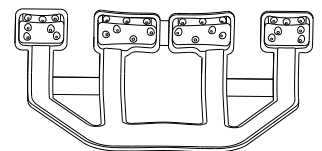
POWER CLEAN IN ONDERSTE REK

Power Clean® maakt gebruik van speciale waterstralen aan de achterzijde van de ruimte voor een intensievere reiniging van zeer vuile items. Het onderste rek heeft een lege ruimte, een speciale uittrekbare steun aan de achterzijde van het rek, die kan worden gebruikt ter ondersteuning van koekenpannen of braadpannen in verticale positie, zodat ze minder ruimte in beslag nemen.

Activeer POWER CLEAN op het paneel tijdens het plaatsen van de pannen / ovenschalen tegenover het Power Clean® component.

Power Clean® gebruiken:

1. Pas het Power Clean gebied (G) aan door de achterste bordenhouders omlaag te klappen om potten en pannen te laden.
2. Laad potten, pannen en schalen verticaal gekanteld in het Power Clean gebied. Potten en pannen moeten naar de krachtige waterstralen toe gekanteld worden.



DAGELIJKS GEBRUIK

1. WATERAANSLUITING CONTROLEREN

Controleer of de wasmachine is aangesloten op de waterleiding en of de waterkraan open is.

2. DE AFWASMACHINE INSCHAKELLEN

Open de deur en druk op de toets **AAN/UIT**.

3. DE REKKEN VULLEN

(zie **REKKEN VULLEN**)

4. HET VAATWASMIDDELMIDDELDOSEERBAKJE VULLEN

5. HET PROGRAMMA KIEZEN EN DE CYCLUS AANPASSEN

Selecteer het meest geschikte programma in overeenstemming met het soort serviesgoed en het niveau van vervuiling (zie **BESCHRIJVING PROGRAMMA**) door de **P**-toets in te drukken. Selecteer de gewenste opties (zie **OPTIES EN FUNCTIES**).

6. START

Start het de wascyclus door op de **START/Pauze**-toets (het led-lampje brandt) te drukken en de deur binnen 4 seconden te sluiten. U hoort een enkele piep wanneer het programma start.

Als de deur niet binnen 4 seconden is gesloten, hoort u een geluid ter waarschuwing. Open in dat geval de deur, druk op de **START/Pauze**-toets en sluit de deur weer binnen 4 seconden.

7. EINDE VAN HET WASPROGRAMMA

Het einde van de wascyclus wordt aangegeven door pieptonen en door knipperen van het nummer van de wascyclus op het display. De deur openen en het apparaat uitschakelen door op de toets **AAN/UIT** te drukken.

Een paar minuten wachten voordat het serviesgoed wordt verwijderd - om brandwonden te voorkomen. De rekken uitladen, te beginnen met het onderste rek.

De machine wordt tijdens bepaalde langere perioden van inactiviteit automatisch uitgeschakeld, om het elektriciteitsverbruik te minimaliseren. Als het serviesgoed slechts licht bevuild is of als het voordat het in de afwasmachine wordt geplaatst met water is afgespoeld kan de hoeveelheid vaatwasmiddel dienovereenkomstig worden verminderd.

WIJZIGEN VAN EEN LOPEND PROGRAMMA

Als u een verkeerd programma heeft gekozen, kunt u het programma wijzigen mits het net is begonnen: open de deur en houd de **AAN/UIT**-toets ingedrukt. De machine wordt uitgeschakeld.

Schakel de machine weer in met de **AAN/UIT**-toets en selecteer het nieuwe wasprogramma en eventuele gewenste opties; start de wascyclus door de **START/Pauze**-toets in te drukken en de deur te sluiten binnen 4 seconden.

EXTRA SERVIESGOED TOEVOEGEN

Open de deur (**START/Pauze**-ledlampje begint te knipperen) zonder de machine uit te schakelen (pas op voor hete stoom!) en plaats het serviesgoed in de afwasmachine. Druk op de **START/Pauze**-toets en sluit de deur binnen 4 seconden. Het programma gaat verder vanaf het punt waarop het was onderbroken.

ONGEWENSTE ONDERBREKINGEN

Als de deur geopend wordt tijdens de wascyclus, of als er sprake is van een stroomonderbreking, stopt het programma. Om de cyclus te hernemen vanaf het punt waarop het was onderbroken, drukt u op de **START/Pauze**-toets-knop en sluit u de deur binnen 4 seconden.

ADVIEZEN EN TIPS

ADVIEZEN

Verwijder alvorens de manden te laden alle voedselresten uit het serviesgoed en leeg de glazen. **Het serviesgoed hoeft niet tevoren onder stromend water afgespoeld te worden.**

Het serviesgoed zo rangschikken dat het stevig op zijn plaats staat en niet omslaat; rangschik de containers met de openingen naar beneden gericht en de holle/bolle onderdelen schuin geplaatst, waardoor het water elk oppervlak kan bereiken en vrij kan stromen.

Waarschuwing: zorg ervoor dat deksels, grepen, platen en koekenpannen de sproeierarmen niet belemmeren bij het draaien.

Plaats geen kleine voorwerpen in de bestekmand.

Erg vervuild vaatwerk en pannen moeten in de onderste mand worden geplaatst, omdat in deze ruimte de watersproeiers sterker zijn en hogere wasprestaties hebben.

Zorg ervoor dat na het laden van het apparaat de sproeierarmen vrij kunnen draaien.

ONGESCHIKT SERVIESGOED

- Houten servies en bestek.
- Kwetsbare gedecoreerde glazen, artistiek handwerk en antiek serviesgoed. Hun decoraties zijn hier niet tegen bestand.
- Delen van synthetisch materiaal die niet bestand zijn tegen hoge temperaturen.
- Koperen en tinnen serviesgoed.
- Serviesgoed bevuild met as, was, smeervet of inkt.

De kleuren van glasdecoraties en aluminium/zilveren stukken kunnen wijzigen en vervagen tijdens het wasproces. Sommige soorten glas (bv. kristallen voorwerpen) kunnen na een aantal wascyclussen ook dof worden.

SCHADE AAN GLASWERK EN SERVIESGOED

- Gebruik alleen glas en porselein waarvan de fabrikant garandeert dat het veilig is voor de afwasmachine.
- Gebruik een zacht vaatwasmiddel dat geschikt is voor serviesgoed.
- Haal glazen en bestek uit de afwasmachine zodra het wasprogramma afgelopen is.

TIPS VOOR ENERGIEBESPARING

- Wanneer de huishoudelijke vaatwasmachine gebruikt wordt volgens de aanwijzingen van de fabrikant, **verbruikt het wassen van vaatwerk in een vaatwasmachine gewoonlijk MINDER ENERGIE en water dan met de hand afwassen.**
- Om de efficiëntie van de vaatwasmachine te maximaliseren wordt aanbevolen om **de wascyclus eerst te starten wanneer de vaatwasmachine helemaal gevuld is.** De huishoudelijke vaatwasmachine vullen tot de hoeveelheid aangegeven door de fabrikant draagt bij tot het besparen van energie en water. Informatie over het correct laden van vaatwerk vindt u in het hoofdstuk **DE REKKEN VULLEN**. Als de machine gedeeltelijk is gevuld, wordt aanbevolen om de speciaal daarvoor bedoelde wasopties, indien voorzien, te gebruiken (Halve lading/ Zone Wash/ Multizone) en enkel geselecteerde rekken te vullen. De vaatwasmachine onjuist of overmatig vullen kan het gebruik van de hulpbronnen verhogen (zoals water, energie en tijd, en ook het geluidsniveau) en de reinigings- en droogprestaties verlagen.
- Vaatwerk vooraf met de hand spoelen verhoogt het water- en energieverbruik en wordt niet aanbevolen.

HYGIËNE

Om te voorkomen dat zich geur en afzetting ophoopt in de afwasmachine moet u ten minste één per maand een programma met hoge temperatuur laten draaien. Gebruik een theelepelt vaatwasmiddel en laat het apparaat zonder lading draaien.

REINIGING EN ONDERHOUD

HET FILTERSISTEEM REINIGEN

einig het filtersysteem regelmatig, zodat de filters niet verstopten en het afvalwater correct weg stroomt.

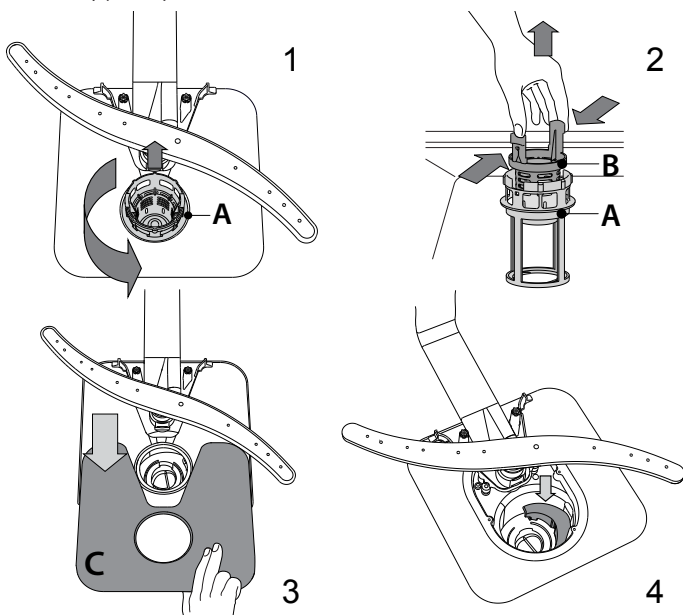
Het gebruik van vaatwasmachines met verstopte filters of vreemde voorwerpen in het filtersysteem of de sproeierarmen kan de slechte werking ervan en bijgevolg lagere prestaties, lawaai of een hoger verbruik van hulpbronnen veroorzaken.

Het filtersysteem bestaat uit drie filters die voedselresten uit het afwaswater verwijderen en vervolgens het water opnieuw laten circuleren.

De afwasmachine mag niet worden gebruikt zonder filters of als het filter is losgeraakt.

Controleer tenminste eens per maand of na elke 30 cyclussen het filtersysteem en reinig het eventueel grondig onder stromend water, met een niet-metalen borstel en volgens de onderstaande instructies:

1. Draai het cilindrische filter **A** linksom en trek het uit (Afb. 1).
2. Verwijder het houderfilter **B** door licht op de zijkleppen te drukken (Afb. 2).
3. Schuif de roestvrij stalen plaat filter **C** er uit (Afb. 3).
4. Als u vreemde voorwerpen vindt (gebroken glas, porselein, beenderen, zaden van vruchten, enz.), **verwijderd u ze zorgvuldig**.
5. Inspecteer de sifon en verwijder eventuele voedselresten. **VERWIJDER NOOIT** de pompbescherming van het wasprogramma (zwart detail) (Afb. 4).



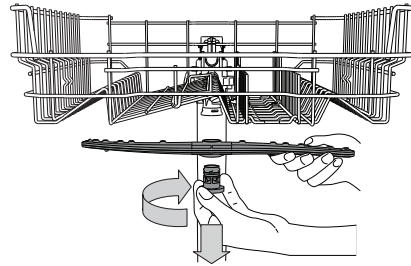
Na het schoonmaken van het filter het filtersysteem opnieuw plaatsen en goed op zijn plaats zetten; dit is essentieel voor het behoud van de efficiënte werking van de afwasmachine.

DE TOEVOERSLANG REINIGEN

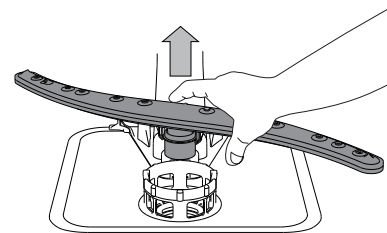
Als de waterslangen nieuw zijn of een langere periode niet zijn gebruikt laat dan, voordat de benodigde aansluitingen worden uitgevoerd, het water lopen, om ervoor te zorgen het helder is en vrij van onzuiverheden. Als deze voorzorgsmaatregel niet wordt genomen kan de waterinlaat geblokkeerd worden en kan de afwasmachine beschadigd raken.

DE SPROEIERARMEN REINIGEN

Af en toe kunnen er voedselresten op de sproeierarmen vastzitten en worden de openingen voor het water sproeien geblokkeerd. Het is daarom raadzaam dat u de armen van tijd tot tijd controleert en ze met een kleine niet-metalen borstel schoonmaakt.



Om de bovenste sproeierarm te verwijderen, draait u de plastic borging rechtsom. De bovenste sproeierarm moet worden vervangen, zodat de zijde met het grotere aantal openingen naar boven is gericht.



De onderste sproeierarm kan worden verwijderd door het omhoog te trekken.

WATERVERZACHTEND SYSTEEM

Waterverzachters reduceren automatisch de waterhardheid en voorkomen bijgevolg ketelsteenvorming op de verwarmers en dragen bij tot een efficiëntere reiniging.

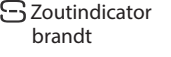

Dit systeem wordt automatisch met zout geregenereerd, u dient dus het zoutreservoir te vullen wanneer het leeg is.

De frequentie van de regeneratie hangt af van de instelling van het waterhardheidsniveau - standaard wordt de regeneratie uitgevoerd om de 6 Eco-cyclussen met het waterhardheidsniveau ingesteld op 3. Het regeneratieproces start tijdens de laatste spoeling en eindigt tijdens de droogfase, voordat de cyclus beëindigt.

- Eén enkele regeneratie verbruikt: ~3,5 liter water;
- Doet de cyclus 5 minuten langer duren;
- Verbruikt minder dan 0,005 kWh energie.

PROBLEMEN OPLOSSEN

Als uw vaatwasmachine niet goed werkt, doorloopt u de onderstaande lijst om te controleren of u het probleem kunt verhelpen. Voor andere fouten of problemen neemt u contact op met de bevoegde Consumentenservice, de contactgegevens ervan vindt u in de garantieboekje. Reserveonderdelen zijn beschikbaar voor een periode van maximaal 7 of maximaal 10 jaar, afhankelijk van de regels die van toepassing zijn.

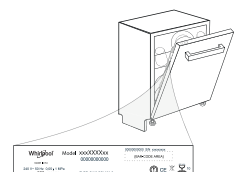
PROBLEMEN	MOGELIJKE OORZAKEN	OPLOSSINGEN
 Zoutindicator brandt	Zoutreservoir is leeg. (Na het bijvullen kan het controlelampje van het zoutniveau blijven branden gedurende een aantal afwascycli).	Vul reservoir bij met zout (voor meer informatie - raadpleeg pagina 2). Pas de waterhardheid aan - zie tabel, pagina 2.
 Glansspoelmiddelindicator brandt	Glansspoelmiddelreservoir is leeg. (Na het bijvullen kan het controlelampje van het glansspoelmiddel blijven branden gedurende een aantal afwascycli).	Vul reservoir bij met glansspoelmiddel (voor meer informatie - raadpleeg pagina 2).
De afwasmachine start niet of reageert niet op opdrachten.	Het apparaat is niet goed aangesloten.	Steek de stekker in het stopcontact.
	Stroomuitval.	Om veiligheidsredenen wordt de vaatwasmachine niet automatisch opnieuw gestart wanneer er opnieuw stroom is. Open de deur van de vaatwasmachine, druk op de START/Pauze-toets en sluit de deur binnen 4 sec.
	De deur van de afwasmachine is niet goed gesloten. De NaturalDry-pin is niet ingetrokken.	De deur krachtig aanduwen totdat u de „klik“ hoort.
	De cyclus wordt onderbroken als de deur > 4 seconden wordt geopend.	Druk op START/Pauze en sluit de deur binnen 4 seconden.
De afwasmachine reageert niet op opdrachten. Weergave op het display: 9 of 12 en de AAN/UIT-led knippert snel	Het toestel uitschakelen door de knop AAN/UIT in te drukken, na ongeveer een minuut weer inschakelen en het programma opnieuw starten. Als het probleem aanblijft, trekt u de stekker van het apparaat 1 minuut lang uit, breng dan de stekker terug in..	
De afwasmachine pompt niet af. Weergave op het display: 3 en de AAN/UIT-led knippert snel.	Het wasprogramma is nog niet klaar.	Wacht totdat het wasprogramma klaar is.
	Er zit een knik in de afvoerslang.	Controleer of er geen knik zit in de afvoerslang (zie <i>INSTALLATIEGIDS</i>).
	De pijp van de gootsteenafvoer is geblokkeerd.	Reinig de pijp van de gootsteenafvoer.
	Het filter is verstopt met voedselresten	Reinig het filter (zie <i>HET FILTERSISTEEM REINIGEN</i>).
De afwasmachine maakt veel lawaai.	Het vaatwerk rammelt tegen elkaar.	Rangschik het serviesgoed goed (zie <i>REKKEN VULLEN</i>).
	Er is een bovenmatige hoeveelheid schuim geproduceerd.	Het vaatwasmiddel is niet goed afgemeten of het is niet geschikt voor gebruik in afwasmachines (zie <i>REKKEN VULLEN</i>). Start de actuele wascyclus opnieuw: schakel de afwasmachine UIT, vervolgens terug in, selecteer een nieuw programma, druk op START/Pauze en sluit de deur binnen 4 seconden. Voeg geen vaatwasmiddel toe.
Het vaatwerk is niet schoon.	Het serviesgoed is niet goed gerangschikt.	Rangschik het serviesgoed goed (zie <i>REKKEN VULLEN</i>).
	De sproeierarmen kunnen niet vrij draaien, ze worden door het vaatwerk belemmerd.	Rangschik het serviesgoed goed (zie <i>REKKEN VULLEN</i>).
	Het wasprogramma is te zacht.	Selecteer een geschikt wasprogramma (zie <i>PROGRAMMATABEL</i>).
	Er is een bovenmatige hoeveelheid schuim geproduceerd.	Het vaatwasmiddel is niet goed afgemeten of het is niet geschikt voor gebruik in afwasmachines.
	De dop op het glansspoelmiddelcompartiment is niet correct afgesloten.	Zorg ervoor dat de dop van het glansspoelmiddelbakje is gesloten.
	Het filter is bevuild of verstopt.	Reinig het filtersysteem (zie <i>VERZORGING EN ONDERHOUD</i>).
De afwasmachine vult zich niet met water. Weergave op het display: H , 6 en de AAN/UIT-led knippert snel.	Er is geen zout.	Vul het zoutreservoir (zie <i>HET ZOUTRESERVOIR BIJVULLEN</i>).
	Geen water in de watertoevoer of de kraan is gesloten.	Zorg ervoor dat er water in de watertoevoer komt of dat de kraan loopt.
	Er zit een knik in de toevoerslang.	Controleer of er geen knik in de toevoerslang zit (zie <i>INSTALLATIE</i>), de afwasmachine herprogrammeren en rebooten.
De vaatwasmachine beëindigt de cyclus voortijdig. Weergave op het display: 15 en de AAN/UIT-led knippert snel.	De zeef in de watertoevoerslang is verstopt; het moet gereinigd worden.	Na het controleren en reinigen, de afwasmachine uitschakelen en inschakelen en een nieuw programma starten.
	De afvoerslang bevindt zich te laag of heveling in het huishoudelijke afvalwatersysteem.	Controleer of het uiteinde van de afvoerslang zich op de juiste hoogte bevindt (zie <i>INSTALLATIE</i>). Controleer de heveling in het huishoudelijke afvalwatersysteem, installeer zo nodig een luchttoevoerklep.
	Lucht in watertoevoer.	Controleer de watertoevoer op lekken of andere problemen die lucht inlaten.



De gedragslijn, standaarddocumentatie en aanvullende productinformatie kunt u vinden:

- Op onze website docs.whirlpool.eu en parts-selfservice.whirlpool.com
- Gebruik makend van de QR-code
- Anders, **contacteer onze Klantenservice** (Het telefoonnummer staat in het garantieboekje). Wanneer u contact neemt met de Klantenservice, gelieve de codes te vermelden die op het identificatieplaatje van het apparaat staan.

De modelinformatie kan gevonden worden aan de hand van de QR-code die op het energielabel aangegeven is. Het label bevat ook de model-ID die kan worden gebruikt om het portaal van het register te raadplegen op <https://eprel.ec.europa.eu>.



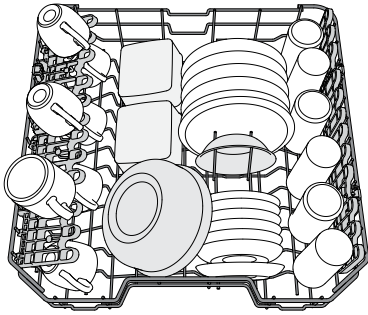
400011671420

03/2023 ks - Xerox Fabriano



CHARGEMENT DES PANIERS

PANIER SUPÉRIEUR



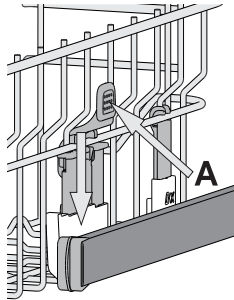
(exemple de chargement du panier supérieur)

Chargez la vaisselle délicate et légère: verres, tasses, soucoupes, saladiers bas.

AJUSTER LA HAUTEUR DU PANIER SUPÉRIEUR

Vous pouvez ajuster la hauteur du panier supérieur : position élevée pour placer la vaisselle encombrante sur le panier inférieur, et la position basse pour profiter au maximum des supports rabattables et créant plus d'espace vers le haut et éviter les chocs avec les articles sur le panier inférieur.

Le panier supérieur comprend un **dispositif de réglage de la hauteur du panier supérieur** (voir figure), sans appuyer sur les leviers, simplement soulever en tenant le panier sur les côtés jusqu'à ce qu'il soit stable en position élevée. Pour abaisser le panier, appuyez sur les leviers **A** sur les côtés du panier et déplacez-le vers le bas.



Nous vous conseillons fortement de ne pas ajuster la hauteur du panier lorsqu'il est chargé.

Ne JAMAIS soulever ou abaisser un seul côté du panier.

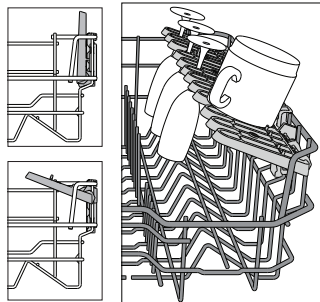
VOLETS PLIABLES À POSITION RÉGLABLE

Les volets pliables latéraux peuvent être pliés ou dépliés afin d'optimiser la disposition de la vaisselle à l'intérieur du rack.

Les verres de vin peuvent être placés de façon sécuritaire dans les volets pliables en insérant le pied de chaque verre dans la fente correspondante.

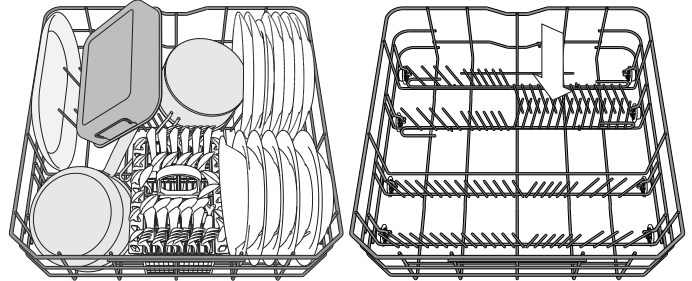
Selon le modèle :

- pour déplier les volets, il est nécessaire de les coulisser vers le haut et de les tourner ou de les libérer des griffes et de les tirer vers le bas.
- pour replier les volets, il est nécessaire de les tourner et de les faire coulisser vers le bas ou de les tirer vers le haut et de fixer les pattes aux griffes



PANIER INFÉRIEUR

Pour les poêles, les couvercles, les plats, les saladiers, les couverts, etc. Les grands plats et les grands couvercles devraient être placés sur le côté pour éviter qu'ils n'entravent le fonctionnement des bras d'aspersion. Le panier inférieur comprend des supports rabattables qui peuvent être placés en position verticale pour charger des plaques, ou en position horizontale (bas) pour faciliter le chargement des casseroles et des bols de salade.

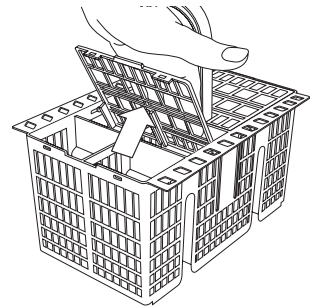


(exemple de chargement du panier inférieur)

PANIER À COUVERT

Le panier comprend des grilles supérieures pour placer les couverts plus facilement. Le panier à couvert doit uniquement être placé à l'avant du panier inférieur.

Les couteaux et autres ustensiles avec des bords tranchants doivent être placés dans le panier à couvert avec la pointe vers le bas, ou placés à l'horizontale dans le compartiment rabattable sur le panier supérieur.



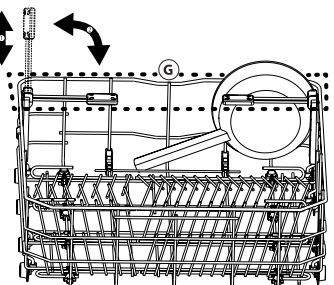
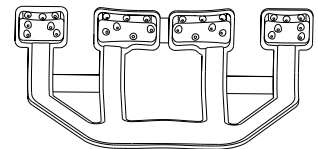
POWER CLEAN SUR LE PANIER INFÉRIEUR

Power Clean® utilise des jets d'eau spéciaux, situés à l'arrière de la cavité, pour laver les articles très sales avec une intensité plus élevée. Le panier inférieur comprend une zone d'espace, un support spécial qui se trouve à l'arrière du panier, qui peut être utilisé pour supporter les poêles à frire et les moules dans une position verticale, prenant ainsi moins de place.

Placez les poêles et les casseroles face à la composante Power Clean® et activez **POWER CLEAN** sur le panneau.

Comment utiliser Power Clean®.

1. Réglez la zone Power Clean® (G) en rabattant les supports pour assiettes arrières pour charger des casseroles.
2. Chargez les grands plats et les casseroles en les inclinant à la verticale dans la zone Power Clean®. Les casseroles doivent être inclinées dans la direction des jets d'eau haute pression.



UTILISATION QUOTIDIENNE

1. VÉRIFIER LE BRANCHEMENT DE L'EAU

Assurez-vous que l'appareil est raccordé à un réseau d'alimentation et que le robinet de l'eau est ouvert.

2. ALLUMER LE LAVE-VAISSELLE

Ouvrez la porte et appuyez sur la touche **MARCHE/ARRÊT**.

3. CHARGER LES PANIERS (voir CHARGEMENT DES PANIERS).

4. REMPLIR DE DISTRIBUTEUR DE DÉTERGENT

5. CHOISIR LE PROGRAMME ET PERSONNALISER LE CYCLE

Sélectionnez le meilleur programme selon le type de vaisselle et le niveau de saleté (voir *DESCRIPTION DES PROGRAMMES*) en appuyant sur la touche **P**.

Sélectionnez les options désirées (voir *OPTIONS ET FONCTIONS*).

6. DÉMARRER

Démarrez le cycle de lavage en appuyant sur le bouton **DÉPART/Pause** (le témoin est allumé) et en fermant la porte dans les 4 secondes. Quand le programme démarre, vous entendez un bip simple. Si la porte n'a pas été fermée dans les 4 secondes, le signal d'alarme est activé. Dans ce cas, ouvrez la porte, appuyez sur le bouton **DÉPART/Pause** et fermez de nouveau la porte dans les 4 sec.

7. FIN DU CYCLE DE LAVAGE

La fin du cycle de lavage est indiquée par des bips et par le clignotement du nombre de cycles de lavage sur l'écran. Ouvrez la porte et éteignez l'appareil en appuyant sur la touche **MARCHE/ARRÊT**.

Pour éviter de vous brûler, attendez quelques minutes avant de retirer la vaisselle. Déchargez les paniers en commençant par le panier inférieur.

L'appareil s'éteint automatiquement durant des périodes d'inactivité prolongées pour réduire la consommation d'énergie. Si la vaisselle est légèrement sale ou si elle a été rincée avec à l'eau avant d'être placée dans le lave-vaisselle, réduisez la quantité de détergent utilisée en conséquence.

MODIFIER UN PROGRAMME EN COURS

Si vous avez sélectionné le mauvais programme, vous pouvez le changer, à condition que ce soit fait au tout début du cycle: ouvrir la porte, appuyer sur le bouton **MARCHE/ARRÊT** et le maintenir enfoncé, la machine s'éteindra.

Rallumez l'appareil en appuyant sur la touche **MARCHE/ARRÊT** et sélectionnez le nouveau cycle de lavage et les options désirées ; lancer le cycle en appuyant sur le bouton **DÉPART/Pause** et en fermant la porte dans les 4 sec.

AJOUTER DE LA VAISSELLE

Sans éteindre la machine, ouvrir la porte (Le voyant **DÉPART/Pause** commencera à clignoter) (**attention à la vapeur CHAUDE !**) et placer la vaisselle à l'intérieur du lave-vaisselle. Appuyer sur le bouton **DÉPART/Pause** et fermer la porte dans les 4 sec, le cycle reprendra à l'endroit où il a été interrompu.

INTERRUPTIONS IMPRÉVUES

Si la porte est ouverte pendant le cycle de lavage, ou s'il y a une coupure de courant, le cycle s'arrête. Pour reprendre le cycle à l'endroit où il a été interrompu, appuyer sur le bouton **DÉPART/Pause** et fermer la porte dans les 4 sec.

AVIS ET CONSEILS

CONSEILS

Avant de charger les paniers, enlevez tous les résidus de nourriture sur la vaisselle et videz les verres. **Vous n'avez pas besoin de rincer la vaisselle avant de la placer dans le lave-vaisselle.**

Placez la vaisselle pour qu'elle tienne bien en place et ne risque pas de tomber; et placez les récipients avec les ouvertures vers le bas et les parties concaves/convexes de côté pour permettre à l'eau d'atteindre toutes les surfaces et couler librement.

Avertissement : les couvercles, poignées, plaques et poêles à frire n'empêchent pas les bras d'aspersion de tourner. Placez les petits articles dans le panier à couvert. La vaisselle et les casseroles très sales devraient être placées sur le panier inférieur car les jets d'eau sont plus forts dans cette section et permet un meilleur rendement lors du lavage. Après avoir chargé l'appareil, assurez-vous que les bras d'aspersion peuvent bouger librement.

VAISSELLE QUI NE CONVIENT PAS

- Vaisselle et couverts en bois.
- Verres décoratifs délicats, produits artisanaux, et vaisselle antique. Les garnitures ne sont pas résistantes.
- Les pièces en matériel synthétique qui ne supportent pas les hautes températures.
- La vaisselle en cuivre ou en étain.
- La vaisselle tachée de cendre, de cire, de graisse lubrifiante, ou d'encre.

Les couleurs des garnitures de verre et des pièces d'aluminium/argent peuvent changer et ternir durant le cycle de lavage. Certains types de verre (p. ex. les objets en cristal) peuvent aussi devenir opaque après plusieurs cycles de lavage.

VERRES ET VAISSELLE ENDOMMAGÉS

- Seulement utiliser des verres ou de la porcelaine qui sont lavables au lave-vaisselle conformément aux recommandations du fabricant.
- Utilisez un détergent doux, adéquat pour la vaisselle.
- Retirez les verres et les couverts du lave-vaisselle aussitôt que le cycle de lavage est terminé

ASTUCES SUR L'ÉCONOMIE D'ÉNERGIE

- Lorsque le lave-vaisselle domestique est utilisé conformément aux instructions du fabricant, **le lavage de la vaisselle dans un lave-vaisselle consomme habituellement MOINS D'ÉNERGIE et d'eau que le lavage à la main.**
- Afin d'optimiser l'efficacité du lave-vaisselle, il est recommandé de **débuter le cycle de lavage une fois que le lave-vaisselle est totalement chargé.** Le chargement du lave-vaisselle domestique jusqu'à la capacité indiquée par le fabricant contribuera à économiser de l'énergie et de l'eau. Vous trouverez des informations sur le chargement correct de la vaisselle dans le chapitre CHARGEMENT DES PANIERS. En cas de chargement partiel, il est recommandé d'utiliser des options de lavage spécifiques si elles sont disponibles (Demi-charge / Zone Wash/ Multi Zone), en remplissant uniquement les paniers sélectionnés. Un chargement incorrect ou une surcharge du lave-vaisselle peut augmenter l'utilisation des ressources (telles que l'eau, l'énergie et le temps, et augmenter le niveau de bruit), en réduisant les performances de nettoyage et de séchage.
- Un pré-rinçage manuel des éléments de vaisselle provoque une augmentation de la consommation d'eau et d'énergie et n'est pas recommandé.

HYGIÈNE

Pour éviter les odeurs et les dépôts qui pourraient s'accumuler dans le lave-vaisselle, lancer un programme à haute température au moins une fois par mois. Utilisez une cuillère à café de détergent et lancer le programme sans vaisselle pour nettoyer l'appareil.

NETTOYAGE ET ENTRETIEN

NETTOYER L'ENSEMBLE FILTRE

Nettoyez régulièrement l'ensemble filtre pour éviter qu'il ne se bouche et pour permettre aux eaux usées de bien s'éliminer.

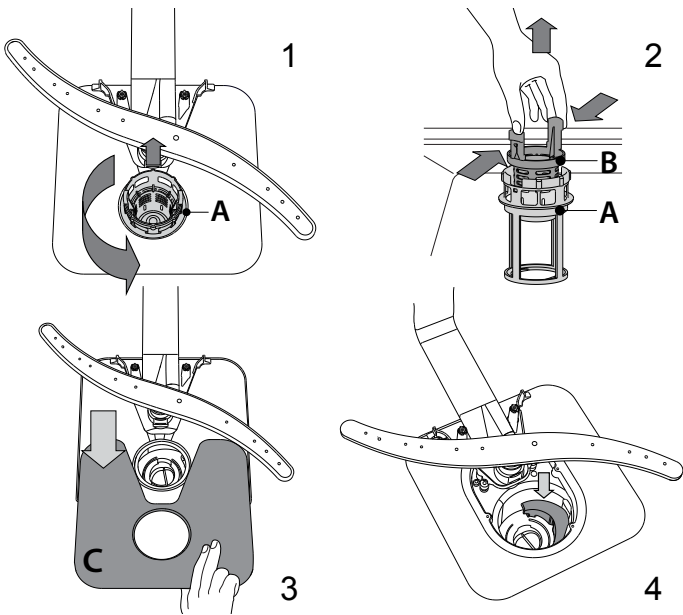
L'utilisation du lave-vaisselle avec des filtres obstrués ou des objets étrangers à l'intérieur du système de filtration ou des bras de pulvérisation peut provoquer un dysfonctionnement de l'unité provoquant une perte de performances, un fonctionnement bruyant ou une utilisation supérieure des ressources.

L'ensemble filtre comprend trois filtres qui séparent les résidus de nourriture de l'eau de lavage pour ensuite faire circuler l'eau.

N'utilisez pas le lave-vaisselle sans les filtres ou si un filtre est mal ajusté.

Au moins une fois par mois ou tous les 30 cycles, vérifiez l'assemblage du filtre et si nécessaire, nettoyez-le minutieusement sous l'eau courante, en utilisant une brosse non-métallique et en suivant les instructions ci-dessous :

1. Tournez le filtre cylindrique **A** dans le sens antihoraire et retirez-le (Fig. 1).
2. Enlevez le panier du filtre **B** en appliquant une légère pression sur les volets latéraux (Fig. 2).
3. Retirez la plaque du filtre en acier inoxydable **C** (Fig. 3).
4. Si vous trouvez des objets étrangers (comme du verre brisé, de la porcelaine, des os, des pépins de fruits, etc), enlevez-les minutieusement.
5. Inspecter la cavité et enlever les résidus de nourriture. **NE JAMAIS ENLEVER** la protection de la pompe du cycle de lavage (détails en couleur noir) (Fig 4).



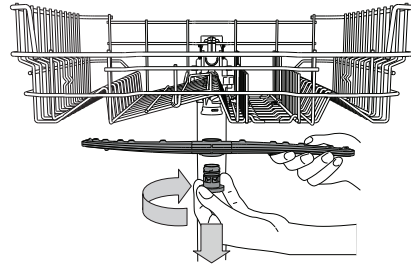
Après avoir nettoyé les filtres, assemblez de nouveau l'ensemble filtre et remettez-le en place correctement; c'est très important pour que le lave-vaisselle garde son efficacité.

NETTOYER LE TUYAU D'ARRIVÉE D'EAU

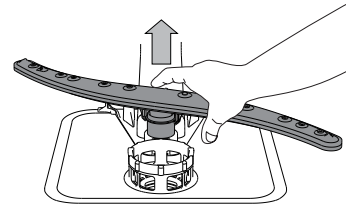
Si les tuyaux d'eau sont neufs ou s'ils n'ont pas été utilisés depuis longtemps, laissez l'eau couler pour vous assurer qu'il n'y a pas d'impureté ou de saleté avant de les brancher. Si vous n'effectuez pas cette opération, l'arrivée d'eau pourrait se boucher et endommager le lave-vaisselle.

NETTOYER LES BRAS D'ASPERSION

À l'occasion, des résidus de nourriture s'incrument dans les bras d'aspersion et bloquent les trous utilisés pour asperger de l'eau. Il est donc conseillé de vérifier les bras de temps en temps et de les nettoyer avec une petite brosse non métallique.



Pour enlever le gicleur supérieur, tournez l'anneau de verrouillage en plastique dans le sens horaire. Le bras d'aspersion supérieur doit être replacé de façon que le côté avec le plus grand nombre de trous est placé vers le haut.



Le bras d'aspersion inférieur peut être enlevé en le tirant vers le haut.

SYSTÈME ADOUCISSEUR D'EAU

L'adoucisseur d'eau réduit automatiquement la dureté de l'eau, en empêchant ainsi la formation de calcaire sur la résistance, et en contribuant également à une meilleure performance de nettoyage.

Ce système se régénère avec du sel, il est donc nécessaire de remplir le bac de sel lorsqu'il est vide.


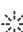
La fréquence de régénération dépend du réglage du niveau de dureté de l'eau - la régénération a lieu une fois tous les 6 cycles Eco avec un niveau de dureté de l'eau réglé à 3.

Le processus de régénération débute lors du rinçage final et se termine en phase de séchage avant la fin du cycle.

- Une régénération simple consomme : ~3,5 L d'eau ;
- Prend jusqu'à 5 minutes supplémentaires pour le cycle ;
- Consomme moins de 0,005 kWh d'énergie.

DÉPANNAGE

Si votre lave-vaisselle ne fonctionne pas correctement, vérifiez si le problème peut être résolu en suivant la liste ci-après. Pour d'autres erreurs ou problèmes, contactez le Service après-vente agréé dont les coordonnées peuvent être trouvées dans le livret de garantie. Les pièces de rechange seront disponibles pour une période allant jusqu'à 7 ou jusqu'à 10 ans, selon les exigences spécifiques du règlement.

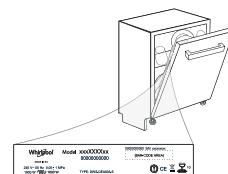
PROBLÈMES	CAUSES POSSIBLES	SOLUTIONS
 L'indicateur de sel est allumé	Le réservoir de sel est vide. (Après le remplissage, il est possible que le voyant du niveau de sel régénérant ne s'éteigne qu'au bout de plusieurs cycles de lavage).	Remplissez le réservoir de sel régénérant (pour plus d'informations, reportez-vous à la page 2). Réglez la dureté de l'eau - reportez-vous au tableau de la page 2.
 Le voyant de liquide de rinçage est allumé	Le distributeur de liquide de rinçage est vide. (Après le remplissage, il est possible que le voyant du niveau de liquide de rinçage ne s'éteigne qu'au bout de plusieurs cycles de lavage).	Remplissez le distributeur de liquide de rinçage (pour plus d'informations, reportez-vous à la page 2).
Le lave-vaisselle ou les commandes ne fonctionnent pas.	L'appareil n'est pas bien branché.	Insérez la fiche dans la prise de courant.
	Panne de courant.	Pour des raisons de sécurité, le lave-vaisselle ne redémarrera pas automatiquement lors du retour de l'alimentation électrique. Ouvrez la porte du lave-vaisselle, appuyez sur le bouton DÉPART/Pause, et fermez la porte dans les 4 secondes.
	La porte du lave-vaisselle n'est pas fermée. Broche NaturalDry non entrée.	Poussez vigoureusement la porte pour entendre le « clic ».
	Le cycle est interrompu par une ouverture de la porte supérieure à 4 secondes.	Appuyer sur DÉPART/Pause et fermer la porte dans les 4 secondes.
Le lave-vaisselle ne se vidange pas. L'afficheur indique : 3 et le voyant MARCHE/ARRÊT clignote rapidement.	Les commandes ne fonctionnent pas. L'afficheur indique : 9 ou 12 et le voyant MARCHE/ARRÊT clignote rapidement.	Éteindre l'appareil en appuyant sur la touche MARCHE/ARRÊT, rallumez-le environ une minute après, et Relancez le programme. Si le problème persiste, débranchez l'appareil pendant 1 minute, puis rebranchez-le.
	Le cycle de lavage n'est pas encore terminé.	Attendre que le cycle se termine.
Le lave-vaisselle fait beaucoup de bruit.	Le tuyau de vidange est plié.	Assurez-vous que le tuyau de vidange n'est pas plié (voir <i>CONSIGNES D'INSTALLATION</i>).
	Le conduit de vidange de l'évier est bouché.	Nettoyez le conduit de vidange de l'évier.
	Le filtre est bouché par des résidus de nourriture.	Nettoyez le filtre (voir <i>NETTOYAGE DE L'ENSEMBLE FILTRE</i>).
La vaisselle s'entrechoque.	La vaisselle s'entrechoque.	Remplacez la vaisselle (voir <i>CHARGEMENT DES PANIERS</i>).
	Il y a une trop grande quantité de mousse.	Le détergent a été mal mesuré ou il n'est pas adéquat pour les lave-vaisselles (voir <i>REEMPLIR LE DISTRIBUTEUR DE DÉTERGENT</i>). Relancez le cycle en cours en éteignant le lave-vaisselle, puis en le rallumant, sélectionnez un nouveau programme, appuyez sur Départ/Pause et fermez la porte dans les 4 secondes. Merci de ne pas ajouter de détergent.
La vaisselle n'est pas propre.	La vaisselle n'est pas bien placée.	Remplacez la vaisselle (voir <i>CHARGEMENT DES PANIERS</i>).
	Les bras d'aspersion ne bougent pas librement, ils sont gênés par la vaisselle.	Remplacez la vaisselle (voir <i>CHARGEMENT DES PANIERS</i>).
	Le cycle de lavage est trop délicat.	Sélectionnez le cycle de lavage approprié (voir <i>TABLEAU DES PROGRAMMES</i>).
	Il y a une trop grande quantité de mousse.	Le détergent a été mal mesuré ou il n'est pas adéquat pour les lave-vaisselles (voir <i>REEMPLIR LE DISTRIBUTEUR DE DÉTERGENT</i>).
	Le bouchon du compartiment de liquide de rinçage n'est pas bien fermé.	Assurez-vous que le bouchon du distributeur de liquide de rinçage est fermé.
	Le filtre est sale ou bouché.	Nettoyez l'ensemble de filtre (voir <i>NETTOYAGE ET ENTRETIEN</i>).
L'eau n'arrive pas au lave-vaisselle. L'afficheur indique : H, 6 et le voyant MARCHE/ARRÊT clignote rapidement.	Il n'y a pas de sel.	Remplir le réservoir de sel (voir <i>REEMPLIR LE RÉSERVOIR DE SEL</i>).
	L'alimentation d'eau est vide ou le robinet est fermé.	Assurez-vous qu'il y a de l'eau dans le circuit d'alimentation ou que le robinet est ouvert.
	Le tuyau d'arrivée est plié.	Assurez-vous que le tuyau d'entrée n'est pas plié (voir <i>INSTALLATION</i>) reprogrammez le lave-vaisselle et relancez-le.
Le lave-vaisselle termine le cycle prématurément. L'afficheur indique : 15 et le voyant MARCHE/ARRÊT clignote rapidement.	Le tamis dans le tuyau d'arrivée d'eau est obstrué ; il est nécessaire de le nettoyer.	Après avoir complété la vérification et le nettoyage, éteignez et rallumez le lave-vaisselle et redémarrez le programme.
	Le tuyau de vidange est positionné trop bas ou se vide dans le système d'évacuation domestique.	Vérifiez si l'extrémité du tuyau de vidange est placée à la hauteur correcte (voir <i>INSTALLATION</i>). Vérifiez la vidange dans le système d'évacuation domestique, installez une vanne d'admission d'air si nécessaire.
	De l'air est présent dans l'alimentation en eau.	Vérifiez si l'alimentation en eau présente des fuites ou d'autres problèmes laissant entrer de l'air.



Vous trouverez les documents normatifs, la documentation standard, le classement des pièces de rechange et des informations supplémentaires sur les produits :

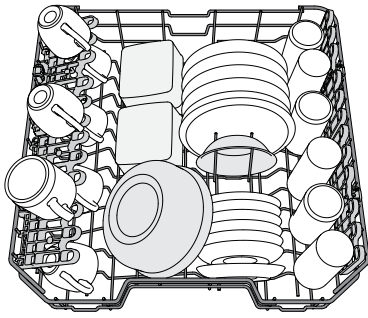
- En visitant notre site web docs.whirlpool.eu et parts-selfservice.whirlpool.com
- Utilisant un QR Code
- Vous pouvez également **contacter notre Service après-vente** (voir numéro de téléphone dans le livret de garantie). Lorsque vous contactez notre Service après-vente, veuillez indiquer les codes figurant sur la plaque signalétique de l'appareil.

Les informations relatives au modèle peuvent être trouvées en utilisant le QR-Code figurant sur l'étiquette énergétique. L'étiquette comprend également l'identifiant du modèle qui peut être utilisé pour consulter le portail du registre sur le site <https://eprel.ec.europa.eu>.



KORIENTÄYTTÄMINEN

YLÄKORI



(yläkörin täyttöesimerkki)

Aseta koriin arat ja kevyet astiat: lasit, kupit, teevadit, malat salaattikulhot.

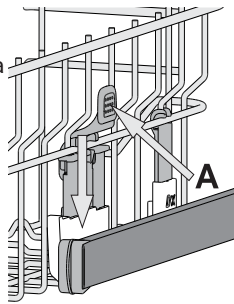
YLÄKÖRIN KORKEUDEN SÄÄTÄMINEN

Yläkörin korkeutta voidaan säätää: korkea asento on tarpeen silloin, kun alakoriin laitetaan kookkaita astioita, ja matala asento silloin, kun halutaan lisätilaa ylös hyödyntämällä pystyyn nostettavia tukia, samalla estäen törmäyksiä alakorissa olevien astioiden kanssa.

Yläkori on varustettu **yläkörin korkeussäätimellä** (ks. kuva), nosta sitä yksinkertaisesti ylöspäin korin sivuista pitäen ja vipuja painamatta heti kun kori on tukevasti yläasennossaan. Ala-asento palautetaan painamalla korin sivuissa olevia vipuja **A** ja siirtämällä sitten itse koriaspään alas.

Körin korkeutta ei saa säätää sen ollessa täytettynä.

Älä KOSKAAN nosta tai laske koriaspään vain toiselta sivulta.



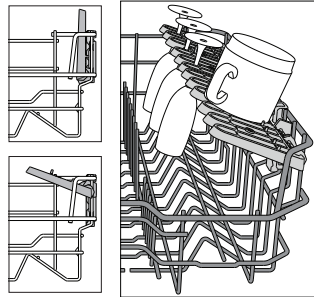
TAIVUTETTAVIEN LÄPPIEN SÄÄDETTÄVÄT ASENNOT

Sivuläpät voidaan taivuttaa kiinni tai auki siten, että astiat voidaan asettaa koriin paremmin.

Viinilasit voidaan sijoittaa turvallisesti taivutettaviin läppiin asettamalla kunkin lasin varren niille tarkoitettuihin aukkoihin.

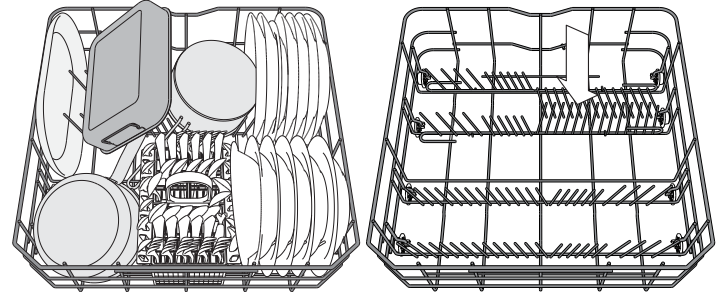
Mallista riippuen:

- läpät taivutetaan auki liu'uttamalla sitä ylöspäin ja kiertämällä tai vapauttamalla sen kiinnikkeistä ja vetämällä alas.
- läpät taivutetaan kiinni kiertämällä sitä ja liu'uttamalla läpät alas tai vetämällä se ylöspäin ja kiinnittämällä läpät kiinnikkeisiin.



ALAKORI

Padoille, kansille, lautasille, salaattikulhoille, aterimille, veitsille ja vastaaville. Suuret lautaset ja kannet on hyvä sijoittaa sivuille, jotta ne eivät häiritse suihkuvarren toimintaa. Alakorissa on pystyyn nostettavia tukia, joita voidaan pystyasennossa käyttää lautasten järjestelyyn tai vaakasennossa (ala-asento) pannujen ja salaattikulhojen sijoittelun helpottamiseen.

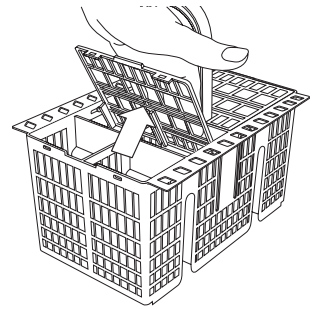


(aläkörin täyttöesimerkki)

RUOKAILUVÄLINEKORI

Körin yläosassa on ritilät, jotka helpottavat ruokailuvälineiden sijoittamista paikalleen. Ruokailuvälinekoria saa sijoittaa ainoastaan alakörin etuosaan.

Veitset ja muut teräväreunaiset keittiövälineet on sijoitettava ruokailuvälinekoriaan terät alaspäin tai vaakasentoon yläkörin pystyyn nostettaviin tukiosastoihin.



POWER CLEAN® ALAKORISSA

Power Clean® pesee erittäin likaiset astiat tehokkaasti laitteen takaosassa olevien erikoissuihkujen avulla.

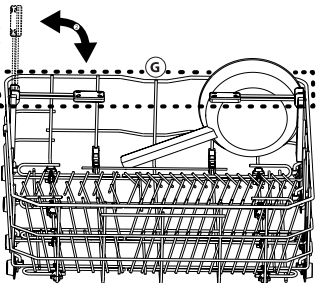
Alakorissa on nk. Space Zone, erityinen esiinvedettävä tuki korin takaosassa, jota voidaan käyttää paistinpannujen ja leivinpeltien tukemiseen

pystyasennossa, jolloin ne tarvitsevat vähemmän tilaa.

Aseta pannut/ kattilat Power Clean® -komponenttia kohden ja käynnistä paneelista **POWER CLEAN**.

Power Clean® käyttö:

1. Valmistelee Power Clean® -alue **G** taivuttamalla takana olevat lautastelineet alas kattiloiden sijoittamista varten.
1. Sijoita pannut ja kattilat Power Clean® -alueelle pystyyn hieman kallelleen. Pannujen täytyy olla kallellaan vesisuihkuihin päin.



PÄIVITTÄINEN KÄYTTÖ

1. TARKASTA VESILIITÄNTÄ

Tarkasta, että astianpesukone on kytketty vesijohtoverkkoon ja että hana on auki.

2. KYTKE ASTIANPESUKONE PÄÄLLE

Avaa luukku ja paina **VIRTA**-painiketta.

3. TÄYTÄ TELINEET (ks. KORIEEN TÄYTTÄMINEN)

4. PESUAINELOKERON TÄYTTÄMINEN

(ks. OHJELMATAULUKKO)

5. VALITSE OHJELMA JA TEE JAKSON LISÄVALINNAT

Valitse sopivin ohjelma astiatyyppin ja sen likaisuusasteen mukaan (ks. OHJELMIEN KUVAUS) painamalla painiketta **P**.

Tee halutut lisävalinnat (ks. LISÄVALINNAT JA TOIMINNOT).

6. KÄYNNISTÄ

Käynnistä pesujakso painamalla **KÄYNNISTYS-/TAUKO**-painiketta (ledissä on valo) ja sulkemalla luukku 4 sekunnin sisällä. Kun ohjelma käynnistyy, kuulet yksittäisen äänimerkin. Jos luukku ei suljettu 4 sekunnin sisällä, kuuluu hälytysääni. Avaa tässä tapauksessa luukku, paina **KÄYNNISTYS-/TAUKO**-painiketta ja sulje luukku uudelleen 4 sekunnin sisällä.

7. PESUJAKSON PÄÄTTYMINEN

Pesujakson päättymisestä ilmoittavat äänimerkit sekä pesujakson numeron vilkkuminen näytössä. Avaa luukku ja sammuta laite painamalla **VIRTA**-painiketta.

Odota muutama minuutti ennen kuin otat astiat pois; näin vältyt palovammoilta. Tyhjennä korit; aloita alakorista.

Kone sammuu automaattisesti, jos mikään toiminto ei ole aktiivisena pitempään aikaan; tarkoituksena on säästää sähkön kulutusta. Jos astiat ovat vain hieman likaisia tai ne on huuhdeltu vedellä ennen astianpesukoneeseen laittamista, vähennä pesuaineen määrää sopivassa suhteessa.

KÄYNNISSÄ OLEVAN OHJELMAN MUOKKAAMINEN

Jos on valittu väärä ohjelma, sen voi vaihtaa, jos se on vielä alussa: avaa luukku, paina **VIRTA**-painiketta ja pidä sitä painettuna niin pitkään, että kone sammuu.

Laita kone uudelleen päälle **VIRTA**-painikkeesta ja valitse uusi pesujakso sekä mahdollisesti halutut lisätoiminnot; käynnistä jakso painamalla **KÄYNNISTYS-/TAUKO**-painiketta ja sulkemalla luukku 4 sekunnin sisällä.

ASTIOIDEN LISÄÄMINEN

Älä sammuta konetta, avaa luukku (**KÄYNNISTYS-/TAUKO**-led alkaa vilkkua) (**varo KUUMAA höyryä!**) ja laita astiat astianpesukoneeseen. Paina **KÄYNNISTYS-/TAUKO**-painiketta ja sulje luukku 4 sekunnin sisällä; jakso jatkuu siitä, mihin se keskeytettiin.

VAHINGOSSA TAPAHTUVAT KESKEYTYKSET

Jos luukku avataan pesujakson aikana, tai sähkö katkeaa, jakso pysähtyy. Jakso laitetaan uudelleen käyntiin kohdasta, mihin se pysähtyi, painamalla **KÄYNNISTYS/TAUKO**-painiketta ja sulkemalla luukku 4 sekunnin sisällä.

NEUVOJA JA VIHJEITÄ

NEUVOJA

Ennen korien täyttämistä poista astioista kaikki ruoantähteet ja tyhjennä lasit. **Huuhtelemisen etukäteen juoksevilla vedellä ei ole tarpeen.**

Asettele astiat siten, että ne pysyvät tukevasti paikallaan eivätkä pääse katumaan; aseta kaikki säiliöastiat ylösalaisin, aukinainen sivu alaspäin, ja koverat/kuperat pinnat vinoon siten, että vesi pääsee kaikille pinnoille sekä virtaamaan vapaasti.

Varoitus: kannet, kahvat, pellit ja paistinpannut eivät saa estää suihkuvarsia pyörimästä.

Aseta kaikki pienet esineet ruokailuvälinekoriin.

Erittäin likaiset astiat ja pannut olisi sijoitettava alakoriin, sillä alhaalla vesisuihku tulee voimakkaampana ja parantaa siten pesutulosta.

Varmista laitteen täyttämisen jälkeen, että suihkuvarret pääsevät pyörimään vapaasti.

SOPIMATTOMAT ASTIAT

- Puset astiat ja ruokailuvälineet.
- Arat, koristellut lasit, taidelasi ja antiikkiastiat. Näiden koristelut eivät kestä konepesua.
- Synteettisistä materiaaleista valmistetut osat, jotka eivät kestä korkeita lämpötiloja.
- Kupari- ja tina-astiat.
- Tuhkaan, vahaan, voitelurasvaan tai musteeseen likaantuneet astiat. Lasiin tehtyjen koristelujen värit sekä alumiiniset/hopeiset esineet saattavat haalistua tai muuttaa sävyjään pesuprosessin aikana. Eräät lasityypit (esim. kristalliesineet) saattavat myöskin muuttua himmeiksi useiden pesujaksojen pesujaksojen seurauksena.

LASIEEN JA ASTIOIDEN VAHINGOITTUMINEN

- Pese koneessa ainoastaan lasi- ja posliiniesineitä, joiden valmistaja takaa kestävän konepesua.
- Käytä astioille sopivaa hellävaraista pesuainetta, jotta laseihin ei tule valkoisia raitoja.
- Ota lasit ja ruokailuvälineet pois astianpesukoneesta heti kun pesujakso on loppunut.

ENERGIANSÄÄSTÖVINKKEJÄ

- Kun kodin astianpesukonetta käytetään valmistajan ohjeiden mukaisesti, **astioiden pesemiseen astianpesukoneessa kuluu yleensä VÄHEMMÄN ENERGIAA ja vettä kuin astioiden pesemiseen käsin.**
 - Astianpesukoneen tehokkuuden maksimoimiseksi **on suositeltavaa käynnistää pesujakso kun astianpesukone on saatu täyteen.** Astianpesukoneen täyttäminen valmistajan ilmoittamaan täyttömäärään auttaa säästämään energiaa ja vettä. Tietoja astianpesukoneen asianmukaisesta täyttämisestä on annettu TELINEIDEN TÄYTTÄMINEN -luvussa.
- Jos konetta ei täytetä kokonaan, on suositeltavaa käyttää koneessa mahdollisesti olevia tähän tilanteeseen tarkoitettuja ohjelmia, (puolitäyttö/ Zone Wash/ Multizone), täyttämällä ainoastaan valitut telineet. Jos astianpesukone täytetään väärin tai liian täyteen, seurauksena saattaa olla resurssien kulutuksen (esim. veden, energian ja ajan, sekä melutason) kasvaminen, sekä puhdistus- ja kuivaustulosten heikkeneminen.
- Astioiden esihuuhtelu käsin lisää veden ja energian kulutusta eikä ole suositeltavaa.

DESINFIINTI

Hajujen ja astianpesukoneen pesutilan pohjalle laskeutuvien kerääntymien estämiseksi **on vähintään kerran kuussa käytettävä kuuman lämpötilan ohjelmaa.** Käytä laitteen puhdistamiseen tässä yhteydessä teelusikallinen pesuainetta, ja anna sen käydä tyhjänä.

PUHDISTUS JA HUOLTO

SIHTIRYHMÄN PUHDISTAMINEN

Puhdista sihtiryhmä säännöllisesti, jotta sihdit eivät tukkiudu ja jotta jätevesi pääsee virtaamaan pois asianmukaisella tavalla.

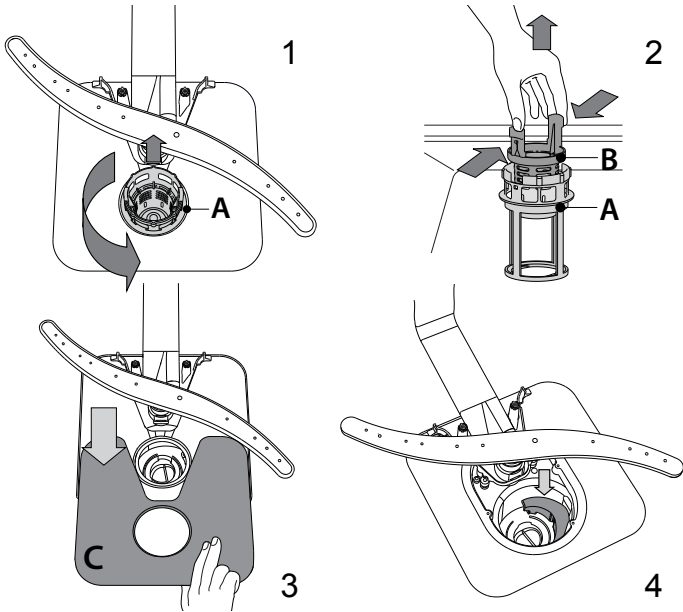
Astianpesukoneen käyttäminen suodattimien ollessa tukossa tai jos suodatusjärjestelmässä tai suihkuvarsissa on jotain asiaankuulumatonta saattaa aiheuttaa toimintahäiriöitä, tehokkuuden laskua, meluisuutta tai resurssien kulutuksen nousua.

Sihtiryhmään kuuluu kolme sihtiä, jotka poistavat pesuvedestä ruoan jätteitä ja kierrättävät sitten vettä uudelleen. Ne on puhdistettava, jos jokaisella pesukerralla halutaan parhaat pesutulokset.

Astianpesukonetta ei saa käyttää ilman sihtejä tai jos sihti on löysä.

Vähintään kerran kuussa tai aina 30 pesujakson jälkeen on tarkastettava sihtiryhmä; puhdista se tarpeen vaatiessa huolellisesti juoksevalla vedellä, ei-metallista harjaa käyttäen ja seuraavien ohjeiden mukaisesti:

1. Käännä sylinterimäinen sihti **A** vastapäivään ja vedä se ulos (Kuvio 1).
2. Irrota kuppimainen sihti **B** painamalla hiukan sivuläpistä (Kuvio 2).
3. Liu'uta ruostumattomasta teräksestä valmistettu levysihti **C** ulos. (Kuvio 3).
4. Jos löydät asiaankuulumattomia kappaleita (esim. rikkoutunutta lasia, posliinia, luita, hedelmän siemeniä), poista ne huolellisesti.
5. Tarkasta lokero ja poista kaikki ruokajätteet. **ÄLÄ KOSKAAN POISTA** pesujakson pumpun suojusta (musta osa) (Kuvio 4).



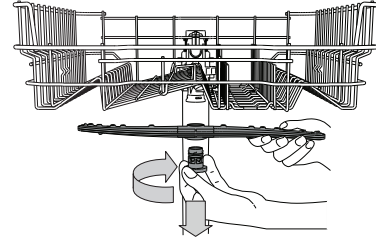
Sihtien puhdistamisen jälkeen aseta sihtiryhmä uudelleen paikalleen ja kiinnitä se oikein; tämä on oleellisen tärkeää astianpesukoneen toimintatehon säilyttämiseksi.

VEDENOTTOLETKUN PUHDISTAMINEN

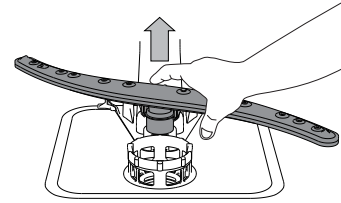
Jos vesiletkut ovat uudet tai niitä ei ole käytetty pitkään aikaan, varmista, että letku on puhdas antamalla veden virrata ennen kytkentöjen suorittamista. Jos tätä varoitoimea ei suoriteta, vedenotto saattaa estyä, mikä puolestaan vahingoittaa astianpesukonetta.

SUIHKUVARSIEN PUHDISTAMINEN

Toisinaan ruokajätteitä saattaa tarttua suihkuvarsiin tukkien reiät, joista vettä suihkuu. Tämän vuoksi on suositeltavaa tarkastaa varret ajoittain ja puhdistaa ne pienellä ei-metallisella harjalla.



Ylempi suihkuvarsi poistetaan kiertämällä muovista lukitusrengasta myötäpäivään. Ylempi suihkuvarsi tulisi vaihtaa niin, että yläpuolelle tulee se puoli, jossa on enemmän reikiä.



Talempi suihkuvarsi voidaan poistaa painamalla sivukielekkeitä ja vetämällä sitä ylöspäin.

VEDENPEHMENNINJÄRJESTELMÄ

Vedenpehennin laskee automaattisesti veden kovuutta, mikä puolestaan vähentää kalkkisaostumien kerääntymistä lämmittimeen; tämä helpottaa myös puhdistamista.

Tämä järjestelmä regeneroituu suolaa käyttäen, minkä vuoksi suolasäiliö on täytettävä sen tyhjentyessä.



Regenerointitiheys riippuu veden kovuustason asetuksista - regenerointi tapahtuu kerran 6 Eco-jaksoa kohden, kun veden kovuustasoksi on asetettu 3.

Regeneroitumisprosessi käynnistyy loppuhuuhdelussa ja päättyy kuivausvaiheeseen, ennen jakson loppumista.

- Yksittäisessä regeneroitumisessa kuluu: ~3.5 litraa vettä
- Prosessiin kuluu noin 5 lisäminuuttia kyseisessä jaksossa;
- Prosessin energiankulutus on alle 0.005 kWh.

VIANETSINTÄ

Jos astianpesukoneesi ei toimi oikein, tarkasta pystytkö ratkaisemaan ongelman itse käymällä läpi seuraavan luettelon kohdat. Jos kyseessä on jokin muu virhe tai ongelma, ota yhteyttä valtuutettuun huoltopalveluun; yhteystiedot on ilmoitettu takuukirjasessa. Varaosia on saatavana joko 7 tai 10 vuoden ajan, noudatettavan asetuksen vaatimusten mukaisesti.

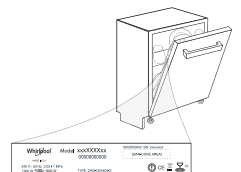
ONGELMAT	MAHDOLLISET SYYT	RATKAISUT
 Suolan merkkivalo palaa	Suolasäiliö on tyhjä. (Täytön jälkeen suolamäärän merkkivalo voi palaa usean pesuohjelman ajan).	Lisää säiliöön suolaa (lisätietoja – katso sivu 2). Säädä veden kovuutta – katso taulukko, sivu 2.
 Huuhtelukirkasteen merkkivalo palaa	Huuhtelukirkasteen säiliö on tyhjä. (Täytön jälkeen huuhtelukirkasteen merkkivalo voi palaa usean pesuohjelman ajan).	Lisää säiliöön huuhtelukirkastetta (lisätietoja – katso sivu 2).
Astianpesukone ei käynnisty tai ei vastaa ohjaustoimiin.	Laitetta ei ole kytketty kunnolla virtaan.	Laita pistoke pistorasiaan.
	Sähkökatko.	Turvallisuussyistä astianpesukone ei käynnisty automaattisesti uudelleen sähkön palatessa. Avaa astianpesukoneen luukku, paina KÄYNNISTYS-/TAUKO-painiketta ja sulje luukku uudelleen 4 sekunnin sisällä.
	Astianpesukoneen luukku ei ole kiinni. NaturalDry-tappia ei ole vedetty sisään.	Työnnä luukkuu päättäväisesti kunnes kuulet sen napsahdavan.
	Jakso keskeytyy kun luukun avauksen kesto on > 4 sekuntia.	Paina KÄYNNISTÄ/Tauko ja sulje luukku 4 sekunnin kuluessa.
Astianpesukone ei tyhjännä vettä. Näytössä näkyy: 3 ja VIRRRAN-ledvalo vilkkuvat nopeasti.	Pesujakso ei ole vielä päättynyt.	Odota kunnes pesujakso päättyy.
	Tyhjennysletku on mutkalla.	Varmista, että tyhjennysletku ei ole mutkalla (ks. ASENNUSOHJEET).
	Tyhjennysputki viemäriin on tukossa.	Puhdista viemäriin johtava tyhjennysputki.
	Sihti on tukossa ruoan jätteistä	Puhdista sihti (ks. SIHTIRYHMÄN PUHDISTAMINEN).
Astianpesukoneesta tulee liikaa ääntä.	Astiat kolisevat toisiaan vasten.	Sijoita astiat koneeseen oikein (ks. KORIEEN TÄYTTÄMINEN).
	On syntynyt liikaa vaahtoa.	Pesuainetta ei ole annosteltu oikein tai se ei sovellu käytettäväksi astianpesukoneissa (ks. PESUAINELOKERON TÄYTTÄMINEN). Käynnistä nykyinen jakso uudelleen sammuttamalla astianpesukone ja käynnistämällä se sitten uudelleen; valitse sitten uusi ohjelma, paina KÄYNNISTYS/Tauko ja sulje luukku 4 sekunnin sisällä. Älä lisää pesuainetta.
Astiat eivät ole puhtaita.	Astioita ei ole sijoitettu koneeseen oikein.	Sijoita astiat koneeseen oikein (ks. KORIEEN TÄYTTÄMINEN).
	Suihkuvarret eivät pääse pyörimään vapaasti, sillä astiat estävät liikettä.	Sijoita astiat koneeseen oikein (ks. KORIEEN TÄYTTÄMINEN).
	Pesujakso on liian hellävarainen.	Valitse sopiva pesujakso (ks. OHJELMATAULUKKO).
	On syntynyt liikaa vaahtoa.	Pesuainetta ei ole annosteltu oikein tai se ei sovellu käytettäväksi astianpesukoneissa (ks. PESUAINELOKERON TÄYTTÄMINEN).
	Huuhtelukirkastelokeron korkkia ei ole suljettu kunnolla.	Varmista, että huuhtelukirkastesäiliön korkki on suljettu.
	Sihti on likainen tai tukossa.	Puhdista sihtiryhmä (ks. PUHDISTUS JA HUOLTO).
Astianpesukone ei ota vettä. Näytössä näkyy: H, 6 ja VIRRRAN-ledvalo vilkkuvat nopeasti.	Suolaa ei ole.	Täytä suolasäiliö (ks. SUOLASÄILIÖN TÄYTTÄMINEN).
	Vesijohdossa ei ole vettä tai hana on suljettu.	Varmista, että vesijohdossa on vettä ja että hana on auki.
	Vedenottoletku on mutkalla	Varmista, että vedenottoletku ei ole mutkalla (ks. ASENNUSS), ohjelmoi astianpesukone ja käynnistä se uudelleen.
Astianpesukone lopettaa jakson liian varhain. Näytössä näkyy: 15 ja VIRRRAN-ledvalo vilkkuvat nopeasti.	Vedenottoletkun siivilä on tukossa; se on puhdistettava.	Tarkastuksen ja puhdistamisen jälkeen sammuta astianpesukone ja laita se päälle; käynnistä sitten uusi ohjelma..
	Tyhjennysletku on liian alhaalla tai lappo viemäriin ei toimi oikein.	Tarkasta onko tyhjennysletku oikealla korkeudella (ks. ASENNUSS). Tarkasta lappo viemäriin, asenna tarvittaessa venttiili ilmaa varten.
	Ilmaa vedensyötössä.	Tarkasta onko vedensyötössä vuotoja, tai onko olemassa jokin muu ongelma, joka aiheuttaa veden vuotoa sisään.



Yhtiön säännöt, vakiodokumentaatio, varaosien tilaaminen sekä tuotetta koskevat lisätiedot ovat saatavissa osoitteesta:

- Käymällä verkkosivustolla docs.whirlpool.eu ja parts-selfservice.whirlpool.com
- Käyttämällä QR-koodia
- Vaihtoehtoisesti **ottamalla yhteyttä huoltopalveluumme** (katso puhelinnumero takuuvihkosessa). Kun otat yhteyttä huoltopalveluun, ilmoita tuotteen tunnistekilvessä olevat koodit.

Mallia koskevat tiedot on saatavilla energiamerkin QR-koodia käyttäen. Merkinnässä on myös mallin tunniste, jota voidaan käyttää tuotetietokantaan tutustumista varten osoitteessa <https://eprel.ec.europa.eu>.



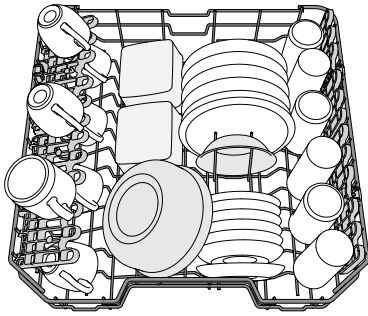
400011671420

03/2023 ks - Xerox Fabriano



KÖRBE BELADEN

OBERKORB



(Sortierbeispiel für den Oberkorb)

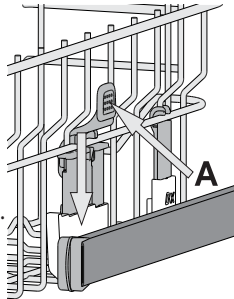
Hier sortieren Sie empfindliches und leichtes Geschirr ein: Gläser, Tassen, kleine Teller, flache Schüsseln.

HÖHENEINSTELLUNG DES OBERKORBES

Der Oberkorb kann in der Höhe verstellt werden: stellen Sie ihn in die oberste Position, wenn Sie großes Geschirr in den Unterkorb einräumen wollen. Wenn Sie eher die klappbaren Bereiche nutzen wollen, dann stellen Sie ihn in die untere Position.

Somit vermeiden Sie Zusammenstoßen mit dem Geschirr im Unterkorb. Der Oberkorb ist mit einem **Oberkorb Höhenversteller** (siehe Abbildung) ausgestattet.

Ohne Drücken der Hebel kann er einfach durch Heben der Korbseiten angehoben werden, sobald der Korb stabil in seiner unteren Stellung ist. Um den Korb zurück in die untere Stellung zu bringen, drücken Sie die Hebel **A** an den Seiten des Korbs und schieben Sie ihn nach unten.



Es empfiehlt sich, die Höhe des Oberkorbes bei leerem Korb zu regulieren.

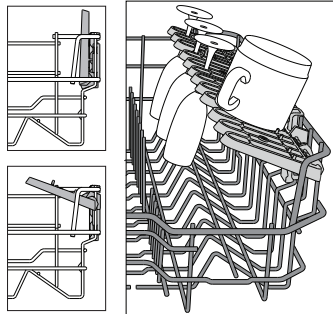
Heben oder senken Sie den Korb NIEMALS nur an einer Seite.

KLAPPBARE KLAPPEN MIT VERSTELLBARER POSITION

Die seitlich, klappbaren Ablagen können ein- oder aufgeklappt werden, um die Anordnung des Geschirrs im Korb zu optimieren. Stielgläser können an den Ablagen stabilisiert werden, indem sie mit dem Stiel in die vorgesehene Aussparung gestellt werden.

Je nach Modell:

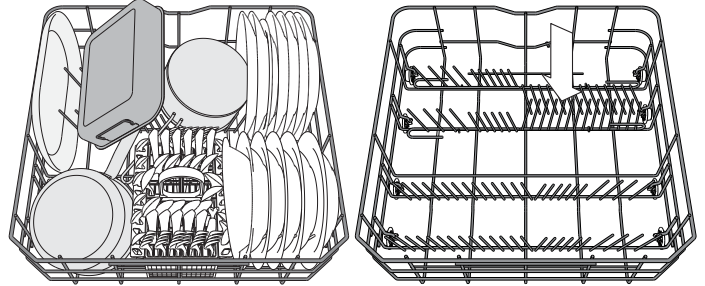
- Zum Ausklappen der Ablagen, müssen diese nach oben geschoben und gedreht oder aus den Schnappern gelöst und nach unten gezogen werden.
- Zum Einklappen der Ablagen, müssen diese gedreht und nach unten geschoben oder nach oben gezogen und an den Schnappern befestigt werden.



UNTERKORB

Für Töpfe, Deckel, Teller, Salatschüsseln, Besteck usw. Große Teller und Deckel sollten idealerweise an die Seiten gelegt werden, um nicht mit dem Sprüharm in Kontakt zu kommen.

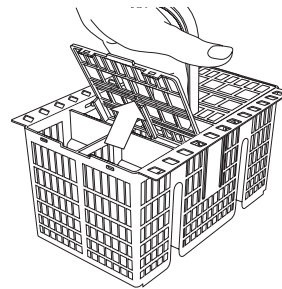
Der Unterkorb verfügt über klappbare Ablagen, die in vertikaler Stellung für Teller oder in horizontaler (niedriger) Position für Pfannen und Salatschüsseln verwendet werden können.



(Sortierbeispiel für den Unterkorb)

BESTECKKORB

Er ist oben mit Gittern versehen, um das Besteck besser einzuordnen. Er darf nur im vorderen Teil des unteren Korbes eingesetzt werden.



Messer und andere Küchenutensilien mit scharfen Spitzen sind mit nach unten gerichteten Spitzen in den Besteckkorb einzuordnen oder waagrecht auf die Ablagen des oberen Geschirrkorbs zu legen.

POWER CLEAN® IM UNTERKORB

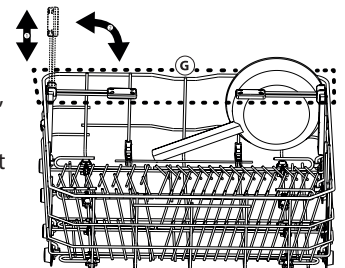
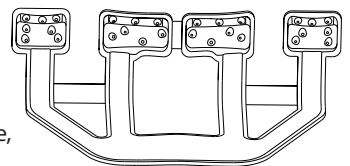
Bei Power Clean® sorgen spezielle Wasserdüsen hinten im Gerät für eine verstärkte Reinigung von stark verschmutztem Geschirr.

Der Unterkorb hat eine Raumzone, eine spezielle Halterung zum Herausziehen an der Korbhinterseite, welche benutzt werden kann um Pfannen oder Backbleche in senkrechter Position zu halten, und so weniger Raum zu beanspruchen.

Wenn die Töpfe/Bräter in Richtung Power Clean® eingelegt werden, bitte **POWER CLEAN** auf der Bedienblende aktivieren.

Verwendung von Power Clean®:

1. Passen Sie Power Clean®-Bereich (G) an, indem Sie die hinteren Tellerhalterungen herunterklappen, um Töpfe einzuladen.
2. Laden Sie Töpfe und Bräter senkrecht im Power Clean®-Bereich ein. Die Töpfe müssen mit der offenen Seite zu den Power-Sprühdüsen geneigt sein.



TÄGLICHER GEBRAUCH

1. ANSCHLUSS AN DIE WASSERLEITUNG PRÜFEN

Sicherstellen, dass der Geschirrspüler an die Wasserleitung angeschlossen und der Wasserhahn auf ist.

2. SCHALTEN SIE DEN GESCHIRRSPÜLER EIN

Tür öffnen und **EIN-/AUS**-Taste drücken.

3. KÖRBE BELADEN

(siehe **KÖRBE BELADEN**)

4. EINFÜLLEN DES SPÜLMITTELS

5. PROGRAMM WÄHLEN UND DAS PROGRAMM ANPASSEN

Das am besten geeignete Programm je nach Besteckart und Verschmutzungsgrad auswählen (siehe **PROGRAMMBESCHREIBUNG**) durch Drücken der Taste **P**. Die gewünschten Optionen auswählen (siehe **OPTIONEN UND FUNKTIONEN**).

6. START

Starten Sie das Spülprogramm mit der Taste **START/Pause** (LED leuchtet) und schließen Sie die Tür innerhalb von 4 Sek. Bei Programmstart ertönt ein einzelner Piepton. Wenn die Tür nicht innerhalb von 4 Sek. geschlossen wurde, ertönt der akustische Alarm. Öffnen Sie in diesem Fall die Tür, drücken Sie die Taste **START/Pause** und schließen Sie die Tür erneut innerhalb von 4 Sekunden.

7. ENDE DES SPÜLPROGRAMMS

Das Ende des Spülvorgangs wird durch Pieptöne und das Blinken der Programmnummer auf dem Display angezeigt. Die Tür öffnen und das Gerät mit der **EIN/AUS**-Taste ausschalten.

Vor Entnahme des Bestecks einige Minuten warten - um Verbrennungen zu vermeiden. Die Körbe entladen, mit dem Unteren beginnen.

Die Maschine schaltet sich automatisch während bestimmter überschrittener Zeiten der Inaktivität aus, um den Stromverbrauch zu reduzieren. Für nur leicht verschmutztes Geschirr, oder für Geschirr, das vorher unter laufendem Wasser abgespült wurde, kann die Spülmittelmenge erheblich reduziert werden.

EIN LAUFENDES PROGRAMM ÄNDERN

Wenn ein falsches Programm ausgewählt wurde, kann es geändert werden, wenn es gerade erst gestartet wurde: die Tür öffnen, die **EIN-/AUS**-Taste drücken und gedrückt halten, um die Maschine auszuschalten.

Die Maschine mit der **EIN-/AUS**-Taste wieder einschalten und das neue Spülprogramm und die gewünschten Optionen auswählen; das Spülprogramm durch Drücken der Taste **START/Pause** starten und innerhalb von 4 Sek. die Tür schließen.

HINZUFÜGEN VON WEITEREM GESCHIRR

Ohne die Maschine auszuschalten, die Tür öffnen (**START/Pause** LED beginnt zu blinken) (**Vorsicht HEISSER Dampf!**) und das Geschirr in den Geschirrspüler geben. Die Taste **START/Pause** drücken und innerhalb von 4 Sek. die Tür schließen; das Programm läuft automatisch weiter, wo es unterbrochen wurde.

VERSEHENTLICHE UNTERBRECHUNGEN

Wird während des Spülgangs die Gerätetür geöffnet, oder sollte ein Stromausfall stattfinden, wird der Spülgang unterbrochen. Damit das Programm wieder an dem Punkt startet, an dem es unterbrochen wurde, die Taste **START/Pause** drücken und innerhalb von 4 Sek. die Tür schließen.

HINWEISE UND TIPPS

EMPFEHLUNGEN

Bevor Sie das Geschirr in den Geschirrspüler einräumen, befreien Sie es von Speiserückständen und entleeren Sie Gläser und Behälter von Flüssigkeitsresten. **Es ist nicht notwendig, das Geschirr unter fließendem Wasser vorzuspülen.**

Stellen Sie das Geschirr so ein, dass es fest steht und nicht umfallen kann. Behälter müssen mit der Öffnung nach unten eingestellt werden und hohle oder gewölbte Teile müssen schräg stehen, damit das Wasser alle Oberflächen erreicht und dann abfließen kann.

Achtung : Achten Sie darauf, dass Deckel, Griffe, Töpfe und Tablett die Drehung der Sprüharme nicht behindern. Stellen Sie kleine Gegenstände in den Besteckkorb. Stark verschmutztes Geschirr und Töpfe sollten in dem Unterkorb untergebracht werden, da in diesem Bereich die Wasserstrahlen stärker sind und eine höhere Spüleleistung garantieren. Stellen Sie nach Einräumen des Geschirrs sicher, dass sich die Sprüharme frei bewegen können.

UNGEEIGNETES GESCHIRR

- Besteck und Geschirr aus Holz.
- Empfindliche Dekorgläser, handgemachte Teller und antikes Geschirr. Die Dekore sind nicht spülmaschinenfest.
- Nicht temperaturbeständige Kunststoffteile.
- Geschirr aus Kupfer und Zinn.
- Mit Asche, Wachs, Schmieröl oder Tinte verschmutztes Geschirr. Glasdekore, Aluminium- und Silberteile können während des Spülgangs die Farbe verändern und ausbleichen. Auch einige Glasarten (z.B. Kristallgegenstände) können nach mehreren Spülgängen matt werden.

SCHÄDEN AN GLAS UND GESCHIRR

- Spülen Sie nur Gläser und Geschirr in Ihrem Geschirrspüler, die vom Hersteller als spülmaschinenfest ausgezeichnet sind.
- Verwenden Sie ein Feinspülmittel für Geschirr.
- Nehmen Sie Gläser und Besteck so bald wie möglich nach Ablauf des Programms aus der Spülmaschine.

ENERGIESPARTIPPS

- Sofern man die Herstelleranweisungen beim Einsatz beachtet, **verbraucht das Waschen von Geschirr im Geschirrspüler in der Regel WENIGER ENERGIE und Wasser als Handspülen.**
- Um die Effizienz des Geschirrspülers zu maximieren, empfiehlt es sich, **das Spülprogramm bei voll beladenem Gerät zu starten.** Wenn der Geschirrspüler bis zur vom Hersteller angegebenen Kapazität beladen wird, hilft dies, Energie und Wasser zu sparen. Angaben über die korrekte Beladung von Geschirr finden Sie im Kapitel **BELADEN DER KÖRBE**. Bei Teilbeladung empfiehlt es sich, die speziellen Spülprogramme (Halbe Beladung / Zone Wash / Multizone) zu verwenden und nur die entsprechenden Körbe zu beladen. Bei einer fehlerhaften Beladung oder Überladung des Geschirrspülers könnten mehr Ressourcen verbraucht (z. B. Wasser, Energie und Zeit), der Geräuschpegel erhöht und die Reinigungs- und Trocknungsleistung verringert werden.
- Das manuelle Vorspülen von Geschirr führt zu erhöhtem Wasser- und Energieverbrauch und wird nicht empfohlen.

HYGIENE

Um Gerüche und Ablagerung, die sich in dem Geschirrspüler ansetzen können zu vermeiden, **bitte mindestens einmal monatlich ein Hochtemperaturprogramm laufen lassen.** Einen Teelöffel Spülmittel verwenden und ohne Geschirr laufen lassen, um Ihr Gerät zu reinigen.

PFLEGE UND WARTUNG

REINIGUNG DER FILTEREINHEIT

Die Filtereinheit regelmäßig reinigen, damit die Filter nicht verstopfen und das Abwasser korrekt abfließen kann.

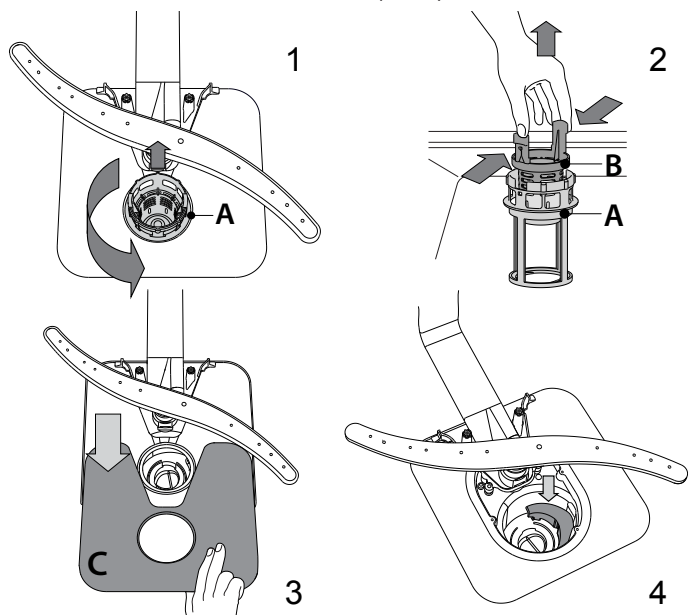
Wenn die Filter beim Einsatz des Geschirrspülers verstopft sind oder falls Fremdkörper im Filtersystem oder in den Spülarmen gelangen, könnten Störungen im Gerät auftreten, was zu Leistungseinbußen, lautem Betrieb oder höherer Ressourcennutzung führt.

Die Filtereinheit setzt sich aus drei Filtern zusammen, die Spülwasser reinigen, von Speiseresten befreien und wieder in Umlauf bringen.

Der Geschirrspüler darf nie ohne Filtersiebe oder mit ausgehängten Filtern in Betrieb genommen werden.

Kontrollieren Sie einmal monatlich oder nach 30 Zyklen die Filtersiebgruppe. Bei Bedarf ist diese sorgfältig unter laufendem Wasser auszuspülen. Nehmen Sie hierzu ein kleines Bürstchen (das nicht aus Metall sein darf) zu Hilfe. Gehen Sie wie folgt vor:

1. Drehen Sie das zylinderförmige Filtersieb **A** gegen den Uhrzeigersinn heraus (Abb. 1).
2. Ziehen Sie den Siebbecher **B** durch leichten Druck auf die seitlichen Flügel heraus (Abb. 2).
3. Nehmen Sie den Stahl-Siebteller **C** ab (Abb. 3).
4. Falls Sie Fremdkörper (wie Glasscherben, Porzellan, Knochen, Früchtsamen usw.) finden, **entfernen Sie diese bitte sorgfältig**.
5. Kontrollieren Sie den Hohlraum und befreien Sie diesen von eventuellen Speiseresten. Das Spülpumpenschutzteil (schwarzes Teil) **NICHT ABGENOMMEN WERDEN** (Abb 4).



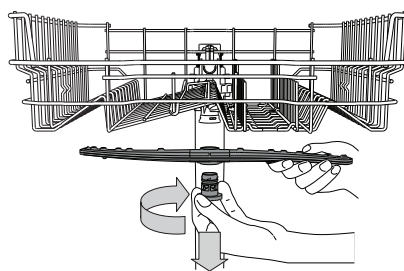
Setzen Sie die Filtereinheit nach der Reinigung der Filtersiebe wieder korrekt in ihren Sitz ein, dies ist äußerst wichtig, um eine ordnungsgemäße Betriebsweise des Geschirrspülers zu gewährleisten.

WASSERZULAUFSCHLAUCH REINIGEN

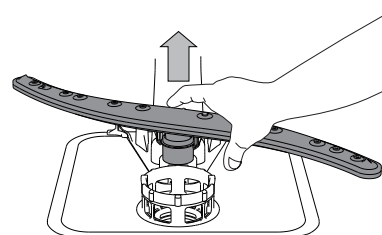
Wenn der Wasserschlauch neu ist oder für längere Zeit nicht in Betrieb war, das Warmwasser laufen lassen, um sicherzustellen, dass es klar und frei von Verschmutzungen ist, bevor die erforderlichen Anschlüsse vorgenommen werden. Bei Nichtbeachtung dieser Vorsichtsmaßnahme, kann die Wasserzufuhr blockieren und den Geschirrspüler beschädigen.

REINIGUNG DER SPRÜHARME

Es kann vorkommen, dass Speisereste an den Sprüharmen hängen bleiben und die Wasserdüsen verstopfen. Prüfen Sie die Sprüharme daher regelmäßig und reinigen Sie sie bei Bedarf mit einer Kunststoffbürste.



Zur Abnahme des oberen Sprüharms drehen Sie den Kunststoffring im Uhrzeigersinn ab. Der obere Sprüharm ist mit jener Seite nach oben wieder einzusetzen, die die meisten Löcher aufweist.



Um den unteren Sprüharm abzunehmen, ihn nach oben ziehen.

WASSERENTHÄRTUNG

Der Wasserenthärter reduziert automatisch die Wasserhärte, verhindert Kesselsteinablagerungen am Heizelement und trägt somit zu einer höheren Reinigungsleistung bei.

Dieses System regeneriert sich mit Salz, daher ist es erforderlich, Salz in den Behälter zu füllen, wenn dieser leer ist.

Die Regenerierungshäufigkeit hängt von eingestellter Stufe für die Wasserhärte ab - die Regenerierung findet einmal alle **6 Eco-Zyklen** bei Wasserhärte auf **3** statt.

Der Regenerationsprozess beginnt in der Endspülung und endet in der Trocknungsphase, bevor der Zyklus endet.

- Eine einzelne Regeneration verbraucht: ~3,5 l Wasser;
- Das Programm dauert bis zu 5 Minuten länger;
- Energieverbrauch unter 0,005 kWh.

LÖSEN VON PROBLEMEN

Falls Ihr Geschirrspüler nicht richtig funktioniert, versuchen Sie, das Problem anhand der folgenden Liste zu beheben. Für andere Fehler oder Probleme wenden Sie sich bitte an den autorisierten Kundendienst, dessen Kontaktdaten im Garantieheft aufgeführt sind. Ersatzteile werden für einen Zeitraum von entweder bis zu 7 oder bis zu 10 Jahren verfügbar sein, je nach den spezifischen Anforderungen der Verordnung.

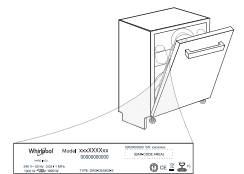
STÖRUNGEN	MÖGLICHE URSACHEN	LÖSUNG
Salzanzeige leuchtet	Salzbehälter leer. (Es kann nach dem Auffüllen einige Spülvorgänge dauern, bis die Salzanzeige erlischt).	Befüllen Sie den Behälter mit Salz (weitere Informationen – siehe Seite 2). Stellen Sie die Wasserhärte ein – siehe Tabelle, Seite 2.
Klarspüleranzeige leuchtet	Klarspülbehälter leer. (Es kann nach dem Auffüllen einige Spülvorgänge dauern, bis die Klarspüleranzeige erlischt).	Befüllen Sie den Behälter mit Klarspüler (weitere Informationen – siehe Seite 2).
Die Spülmaschine startet nicht oder reagiert nicht auf die Bedienungseingaben.	Das Gerät wurde nicht richtig eingesteckt.	Schließen Sie den Netzstecker an.
	Stromausfall.	Aus Sicherheitsgründen wird die Spülmaschine nicht automatisch neu gestartet, wenn die Stromversorgung wiederhergestellt wird. Öffnen Sie die Tür des Geschirrspülers, drücken Sie die Taste START/Pause und schließen Sie die Tür erneut innerhalb von 4 Sekunden.
	Die Gerätetür schließt nicht. NaturalDry Pin ist nicht eingezogen.	Drücken Sie die Tür energisch, bis ein „Klicklaut“ zu hören ist.
	Der Spülgang wird durch Öffnen der Tür für > 4 Sekunden unterbrochen.	Drücken Sie die Taste START/Pause und schließen Sie die Tür erneut innerhalb von 4 Sekunden.
Das Gerät reagiert nicht auf Bedienungseingaben. Das Display zeigt: 9 oder 12 und die LED EIN/AUS blinken rasch.	Das Gerät reagiert nicht auf Bedienungseingaben. Das Display zeigt: 9 oder 12 und die LED EIN/AUS blinken rasch.	Schalten Sie das Gerät durch das Drücken der EIN/AUS -Taste aus und nach etwa einer Minute wieder ein und starten Sie das Programm neu. Wenn das Problem weiterhin besteht, ziehen Sie den Stecker des Geräts für 1 Minute ab und stecken Sie ihn dann wieder ein.
	Das Spülprogramm ist noch nicht ganz abgelaufen.	Warten Sie, bis das Programm beendet ist.
Der Geschirrspüler pumpt das Wasser nicht ab. Das Display zeigt: 3 und die LED EIN/AUS blinken rasch.	Der Ablaufschlauch ist geknickt.	Prüfen Sie, dass der Ablaufschlauch nicht geknickt ist (<i>siehe INSTALLATIONSANWEISUNGEN</i>).
	Der Ablauf des Spülbeckens ist verstopft.	Den Ablauf des Spülbeckens reinigen.
Der Geschirrspüler ist zu laut.	Im Filtersieb haben sich Speisereste angesammelt.	Den Filter reinigen (<i>siehe REINIGUNG DER FILTEREINHEIT</i>).
	Das Geschirr schlägt aneinander.	Positionieren Sie das Geschirr korrekt (<i>siehe KÖRBE BELADEN</i>).
Das Geschirr ist nicht sauber geworden.	Es hat sich zu viel Schaum gebildet.	Das Spülmittel wurde nicht richtig dosiert oder ist für Geschirrspüler ungeeignet (<i>siehe EINFÜLLEN DES SPÜLMITTELS</i>). Starten Sie das laufende Programm durch Ausschalten des Geschirrspülers neu. Schalten Sie das Gerät wieder ein, wählen Sie ein neues Programm, drücken Sie START/Pause und schließen Sie die Tür innerhalb von 4 Sekunden. Kein Spülmittel zufügen.
	Das Geschirr wurde nicht korrekt eingeräumt.	Positionieren Sie das Geschirr korrekt (<i>siehe KÖRBE BELADEN</i>).
	Die Sprüharme können nicht frei drehen, werden durch das Geschirr blockiert.	Positionieren Sie das Geschirr korrekt (<i>siehe KÖRBE BELADEN</i>).
	Das Spülprogramm ist zu schwach.	Ein geeignetes Spülprogramm wählen (<i>siehe PROGRAMMTABELLE</i>).
	Es hat sich zu viel Schaum gebildet.	Das Spülmittel wurde nicht richtig dosiert oder ist für Geschirrspüler ungeeignet (<i>siehe EINFÜLLEN DES SPÜLMITTELS</i>).
	Der Stöpsel des Klarspülerbehälters wurde nicht korrekt geschlossen.	Sicherstellen, dass der Stöpsel des Klarspülerbehälters geschlossen ist.
Der Geschirrspüler lädt kein Wasser. Das Display zeigt: H , 6 und die LED EIN/AUS blinken rasch.	Das Filtersieb ist schmutzig oder verstopft.	Die Filtereinheit reinigen (<i>siehe PFLEGE UND WARTUNG</i>).
	Fehlendes Regeneriersalz.	Füllen Sie den Salzbehälter (<i>siehe SALZBEHÄLTER BEFÜLLEN</i>).
	Kein Wasser im Wassernetz oder zugezogener Wasserhahn.	Sicherstellen, dass Wasser im Wassernetz ist oder der Wasserhahn läuft.
Der Geschirrspüler beendet frühzeitig das Programm. Das Display zeigt: 15 und die LED EIN/AUS blinken rasch.	Geknickter Zulaufschlauch.	Sicherstellen, dass der Zulaufschlauch nicht geknickt ist (<i>siehe INSTALLATION</i>), den Geschirrspüler neu programmieren und wieder einschalten.
	Sieb im Zulaufschlauch verstopft; es muss gereinigt werden.	Nach der Überprüfung und Reinigung, den Geschirrspüler ausschalten und ein neues Programm starten.
Der Geschirrspüler beendet frühzeitig das Programm. Das Display zeigt: 15 und die LED EIN/AUS blinken rasch.	Abflussschlauch zu niedrig positioniert oder Wasser vom Abwassersystem angesaugt.	Kontrollieren Sie, ob das Ende des Abflussschlauches auf der korrekten Höhe positioniert ist (<i>siehe INSTALLATION</i>). Kontrollieren Sie, ob Wasser in das Abwassersystem angesaugt wird, installieren ggf. ein Belüftungsventil.
	Luft in der Wasserversorgung.	Kontrollieren Sie die Wasserversorgung auf Lecks oder andere Probleme, die einen Lufteintritt verursachen.



Richtlinien und Standarddokumentation sowie zusätzliche Produktinformationen finden Sie wie folgt:

- Besuchen Sie unsere Internetseite **docs.whirlpool.eu** und **parts-selfservice.whirlpool.com**
- Verwenden Sie den QR-Code
- Alternativ können Sie **unseren Kundendienst kontaktieren** (Siehe Telefonnummer in dem Garantieheft). Wird unser Kundendienst kontaktiert, bitte die Codes auf dem Typenschild des Produkts angeben.

Die Modellinformation ist über den QR-Code auf der Energieverbrauchskennzeichnung aufrufbar. Die Kennzeichnung enthält auch die Modellnummer, die den Zugang zum Verzeichnisportal unter <https://eprel.ec.europa.eu> ermöglicht.



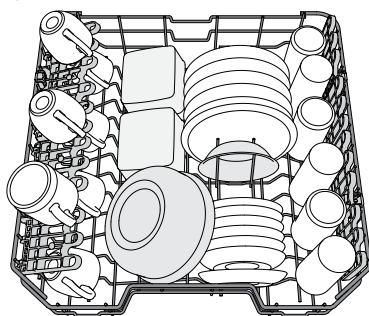
400011671420

03/2023 ks - Xerox Fabriano



FYLDNING AF KURVENE

ØVERSTE KURV



(eksempel på placering af service i den øverste kurv)

Til sart og let service: glas, kop- per, underkopper, lave salatskåle.

INDSTILLING AF HØJDEN FOR DEN ØVERSTE KURV

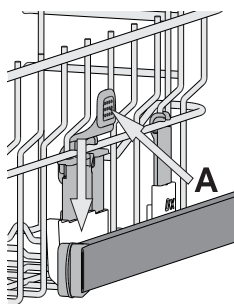
Højden for den øverste kurv kan indstilles: Høj placering, der giver plads til stort service i den nederste kurv, og lav placering, som gør det muligt at udnytte de vipbare hylder og få bedre plads i højden og undgå kollision med tingene i den øvre kurv.

Den øverste kurv har en **højdejusterings- nordning** (se billedet), der blot løftes op ved at holde i kurvens sider, så snart kurven hænger stabilt i den øverste position.

Tryk på grebene (A) på kurvens sider og flyt kurven nedad for at flytte den tilbage til den nederste position.

Vi anbefaler kraftigt, at du ikke ændrer kurvens indstillinger, mens der står service i den.

Kurven må ALDRIG kun løftes eller sænkes i den ene side.

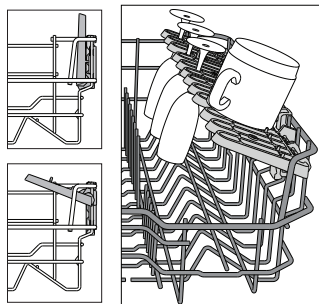


VIPBARE HYLDER MED JUSTERBAR POSITION

De vipbare hylder i siderne kan åbnes eller lukkes, for at optimere placeringen af service i kurven. Vinglas kan stilles sikkert i de vipbare hylder ved at sætte glassets stilk i fordybningerne.

Afhængigt af model:

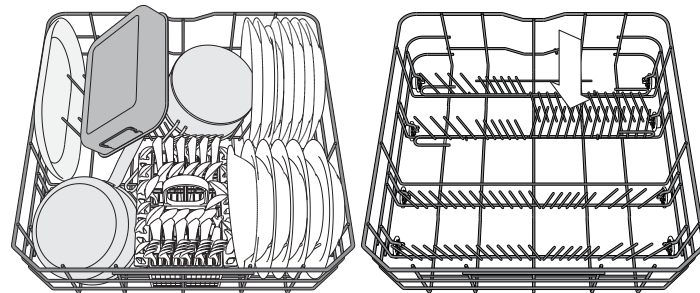
- skal hylderne åbnes ved at trække dem opad og dreje dem eller udløse deres låsemekanismer og skubbe dem ned.
- skal hylderne lukkes ved at dreje dem eller trykke dem nedad eller trække dem opad og indkoble hylderne i låsemekanismerne.



NEDERSTE KURV

Til gryder, tallerkener, salatskåle, bestik osv. Store tallerkener og låg bør placeres i siderne for at undgå, at spulearmen støder imod dem.

Den nederste kurv har holdere, der nemt kan vippes op og bruges i lodret position til placering af tallerkener eller lægges ned for at give plads til gryder og salatskåle.

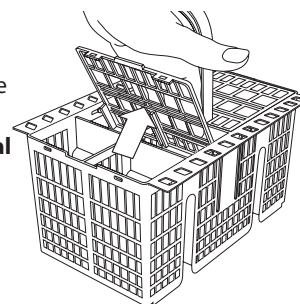


(eksempel på placering af service i den nederste kurv)

BETIKKURV

Bestikkurven har et gitter i toppen, så bestikket kan placeres mere optimalt. Den må kun stilles forrest i den nederste kurv.

Knive og andre skarpe genstande skal placeres med spidserne nedad eller lægges vandret i holderne, der kan vippes op, i den øverste kurv.



POWER CLEAN® I NEDERSTE KURV

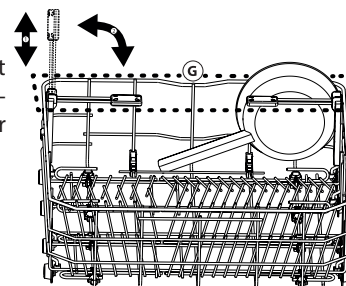
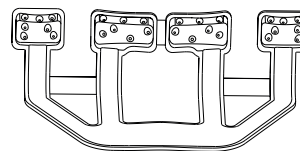
Med funktionen Power Clean® bliver meget snavsede ting vasket ekstra effektivt med de særlige vanddyser bagest i maskinen.

Anbring kogegrej så det vender i retning af afstandszone komponenten og aktivér **POWER CLEAN®** fra panelet.

Den nederste kurv har en afstandszone, som er en særlig udtræksanordning bagest på kurven, som kan bruges til at støtte stegepander eller bradepander, så de kan stå op og dermed optage mindre plads.

Brug af Power Clean®:

1. Regulér Power Clean®-området G ved at lægge de bageste tallerkenstativer ned, så der bliver plads til kogegrej
2. Sæt gryder og pander på skrå i Power Clean®-området. Kogegrejet skal vende mod de kraftige vanddyser.



DAGLIG BRUG

1. KONTROLLER VANDTILSLUTNINGEN

Kontroller, at opvaskemaskinen er koblet til vandforsyningen, og at vandhane er åben.

2. TÆND FOR OPVASKEMASKINEN

Åbn lågen, og tryk på knappen **TÆND/SLUK**.

3. SÆT SERVICE I KURVENE (se FYLDNING AF KURVENE).

4. PÅFYLDNING AF OPVASKEMIDDEL

(se PROGRAMTABEL).

5. CVÆLG PROGRAM, OG TILPAS PROGRAMMET

Vælg det bedst egnede program i funktion af indholdet og dettes snavsethed (se PROGRAMBESKRIVELSE) ved at trykke på knappen **P**. Vælg de ønskede indstillinger (se INDSTILLINGER OG FUNKTIONER).

6. START

Start vaskecyklussen ved at trykke på knappen **START/Pause** (tændt lysdiode) og lukke lågen indenfor 4 sekunder. Der lyder ét enkelt bip, når program starter. Hvis lågen ikke lukkes indenfor 4 sekunder, høres der en lydalarm. I dette tilfælde skal lågen åbnes, knappen **START/Pause** trykkes og lågen lukkes igen indenfor 4 sekunder.

7. AFSLUTTET OPVASKEPROGRAM

Vaskecyklussens afslutning angives med bippelyde og af vaskecyklussens nummer, der blinker på displayet. Åbn lågen, og sluk for maskinen ved at trykke på **TÆND/SLUK**-knappen.

Vent nogle minutter, før servicet tages ud - det er meget varmt. Tøm kurvene. Begynd med den nederste.

Maskinen slukkes automatisk, når den har været inaktiv i en vis periode, for at minimere strømforbruget. Hvis servicet kun er let snavset eller er skyllet af, før det sættes i opvaskemaskinen, skal mængden af opvaskemiddel reduceres.

ÆNDRING AF ET IGANGVÆRENDE PROGRAM

Hvis der er valgt et forkert program, kan det ændres, forudsat at det lige er startet: Åbn lågen, tryk og hold knappen **TÆND/SLUK** trykket. Maskinen vil slukke.

Tænd for maskinen igen med knappen **TÆND/SLUK**, og vælg en ny vaskecyklus og de ønskede indstillinger; start programmet ved at trykke på knappen **START/Pause** og lukke lågen indenfor 4 sekunder.

ISÆTNING AF EKSTRA SERVICE

Åbn lågen, uden at slukke for maskinen (lysdioden **START/Pause** begynder at blinke) (**vær opmærksom på den VARME damp!**) og sæt servicet i opvaskemaskinen. Tryk på knappen **START/Pause** og luk lågen indenfor 4 sekunder. Programmet genstartes fra det punkt, det blev afbrudt i.

HÆNDELIG AFBRYDELSE

Hvis lågen åbnes under et opvaskeprogram eller i tilfælde af en strømafbrydelse, stopper programmet. Tryk på knappen **START/Pause** og luk lågen indenfor 4 sekunder, for at genstarte programmet fra punkt, det blev afbrudt i.

GODE RÅD OG TIPS

RÅD

Før kurvene fyldes skal alle madrester fjernes fra servicet, og glassene skal tømmes. **Det er ikke nødvendigt at skylle servicet af.**

Placer servicet, så det står stabilt og ikke vælter, og stil beholdere med åbningen nedad og buede/rundede flader placeret på skrå, så vandet kan nå alle flader og flyde frit.

Advarsel! Læg, håndtag og stegepander må ikke stilles, så spulearmene ikke kan rotere.

Stil små genstande i bestikskuffen.

Meget snavset service og gryder skal placeres i den nederste kurv, da servicet her spules kraftigere, hvilket sikrer et bedre vaskeresultat.

Når du har fyldt opvaskemaskinen, skal du kontrollere, at spulearmene kan rotere frit.

SERVICE, DER IKKE BØR MASKINOPVASKES

- Service og bestik af træ.
- Sarte dekorerede glas, kunsthåndværk og antikt porcelæn. Dekorationerne tåler ikke maskinopvask.
- Dele i syntetisk materiale, som ikke tåler høje temperaturer.
- Service i kobber og tin.
- Service tilsmudset med aske, voks, smørefedt eller blæk.

Farverne på glasdekorationer og dele i aluminium/sølv kan forandre sig og falme. Nogle typer glas (f.eks. krystal) kan blive uigennemsigtige efter et antal vask i opvaskemaskine.

SKADER PÅ GLAS OG PORCELÆN

- Anvend kun glas og porcelæn, som producenten garanterer kan tåle opvaskemaskine.
- Anvend et skånsomt opvaskemiddel til servicet for at undgå hvide striber på glas.
- Tag glas og bestik ud af opvaskemaskinen, straks når opvaskeprogrammet er slut.

TIPS OM ENERGIBESPARELSE

- Hvis opvaskemaskinen anvendes i overensstemmelse med fabrikantens anvisninger, **vil vask af service i en opvaskemaskine sædvanligvis forbruge MINDRE ENERGI og vand end opvask i hånden.**
- Det anbefales at opvaskemaskinens program først startes, **når den er helt fyldt, for at udnytte den fulde effektivitet.** Fyldning af opvaskemaskinen til den af fabrikanten anførte kapacitet vil medvirke til at spare energi og vand. Oplysningerne om korrekt isætning af service findes i kapitlet FYLDNING AF KURVENE. Det anbefales at anvende de dedikerede programmuligheder, hvis disse findes (Halv vask/ Zone vask/ Multizone), og kun fylde de valgte kurve i tilfælde af delvis fyldning. Ukorrekt fyldning eller overfyldning af opvaskemaskinen kan forøge ressourceudnyttelsen (såsom vand, energi og tid, såvel som støjniveauet) og reducere vask- og tørreedevenen.
- Manuel skylning af servicen medfører et forhøjet forbrug af vand og energi og anbefales ikke.

HYGIEJNE

For at undgå generende lugte og aflejringer i opvaskemaskinen **bør man køre et program ved høj temperatur mindst en gang om måneden.** Kør en cyklus med en teskefuld opvaskemiddel og uden indhold, for at rengøre apparatet.

PLEJE OG VEDLIGEHOLDELSE

RENGØRING AF FILTERENHEDEN

Rengør filterenheden jævnligt, så filtrene ikke stoppes til, og så vandet ledes korrekt ud.

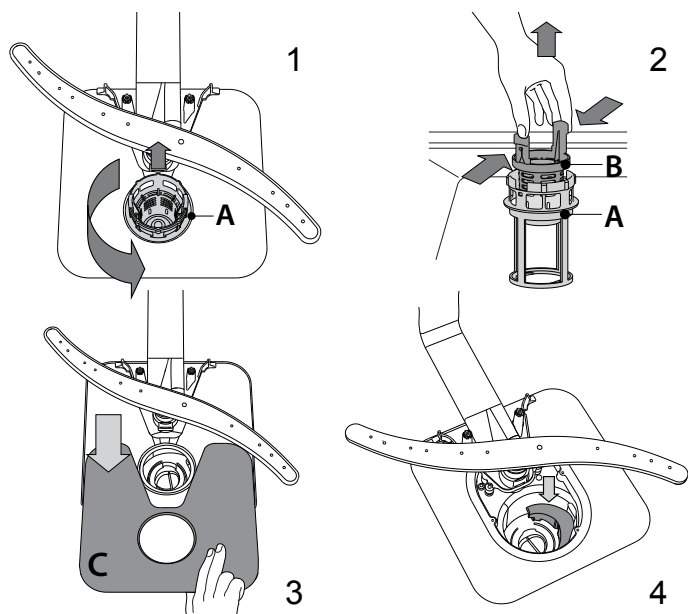
Brug af opvaskemaskinen med tilstoppede filtre eller fremmedlegemer i filtreringssystemet eller vaskearmene kan medføre fejlfunktion på enheden og nedsat ydeevne, høj støj eller større ressourceforbrug.

Filterenheden består af tre filtre, som fjerner madrester fra opvaskevandet og derefter recirkulerer vandet. De skal rengøres, for at opnå det bedste resultat af hver opvask.

Opvaskemaskinen må ikke anvendes uden filtre eller med filtret siddende løst.

Kontroller filterenheden mindst en gang om måneden eller efter 30 cyklusser, og rengør den om nødvendigt grundigt under rindende vand med en ikke-metalholdig børste som beskrevet i vejledningen nedenfor:

1. Drej det cylinderformede filter **A** mod uret, og træk det ud (Figur 1).
2. Tag filterkappen **B** ud ved at trykke let på sidefligene (Figur 2).
3. Træk det rustfrie stålfilter ud **C** (Figur 3).
4. Hvis der findes fremmedlegemer (for eksempel glasskår, porcelæn, ben, frugtkerner etc.) skal de fjernes forsigtigt.
5. Kontroller opsamlere, og fjern eventuelle madrester. **FJERN ALDRIG** beskyttelsesdelen til pumpen (vist med sort) (Figur 4).



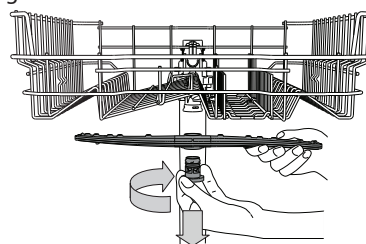
Når filtrene er rengjort, sættes filterenheden på plads og fastgøres i den korrekte position. Dette er afgørende for, at opvaskemaskinen kan fungere effektivt.

RENGØRING AF VANDINDLØBSSLANGEN

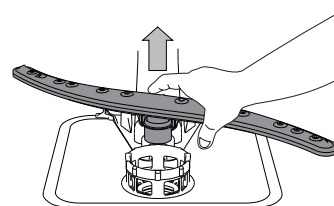
Hvis vandslangerne er nye eller ikke har været i brug i længere tid, skal du lade vandet løbe igennem for at sikre, at det er klart og fri for urenheder, før du foretager de nødvendige tilslutninger. I modsat fald kan vandindløbet blive blokeret og beskadige opvaskemaskinen.

RENGØRING AF SPULEARMENE

Der kan sidde madrester fast på spulearmene, som kan blokere de huller, vandet kommer ud af. Det anbefales derfor jævnligt at efterse spulearmene og rengøre dem med en lille ikke-metalholdig børste.



Den øverste spulearm afmonteres ved at dreje plastlåseringen med uret. Den øverste spulearm monteres igen, så siden med flest huller vender opad.



Den nederste spulearm kan afmonteres ved at trykke på sidefligene og trække spulearmen opad.

BLØDGØRINGSANLÆG

Blødgøringsmidler reducerer automatisk vandets hårdhed, og forebygger derved opbygning af aflejringer på varmelegemet og medvirker desuden til en forbedret vaskevirkning.

Dette system regenererer sig selv med salt og det er derfor nødvendigt at fylde saltbeholderen op, når den er tom.



Regenereringens hyppighed afhænger af indstillingen af vandets hårdhedsgrad - regenereringen afvikles en gang hver 6. Eco cyklus med vandets hårdhedsgrad indstillet på 3.

Regenereringsprocessen starter under den afsluttende skylning og afslutter under tørrefasen, før cyklussen afslutter.

- Hver regenerering forbruger: ~3,5 L vand;
- Cyklussen tager op til yderligere 5 minutter;
- Under 0,005 kWh energi.

FEJLFINDING

Tjek om du kan løse et problem ved hjælp af den nedenstående liste, hvis din opvaskemaskine ikke virker som den skal. Kontakt venligst et autoriseret servicecenter i tilfælde af andre fejl eller problemer. Kontaktdetaljerne findes i garantihæftet. Reserverede vil stå til rådighed i en periode på enten 7 eller 10 år i overensstemmelse med kravene i den specifikke forordning.

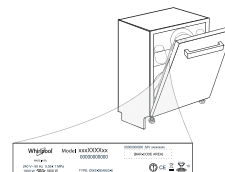
PROBLEMER	MULIGE ÅRSAGER	MULIGE ÅRSAGER
 Kontrollampen for salt er tændt	Salt beholderen er tom. (Kontrollampen for salt kan blive ved med at lyse i flere vaskecykluser efter genopfyldning).	Fyld saltbeholderen (se side 2 for flere oplysninger). Juster vandets hårdhedsgrad - se tabel på side 2.
 Kontrollampen for afspændingsmiddel er tændt	Afspændingsmidlet er opbrugt. (Kontrollampen for afspændingsmiddel kan blive ved med at lyse i flere vaskecykluser efter genopfyldning).	Fyld rummet med afspændingsmiddel (se side 2 for flere oplysninger).
Opvaskemaskinen starter ikke eller reagerer ikke på kommandoer.	Strømmen er ikke tilsluttet korrekt.	Sæt stikket i kontakten.
	Strømafbrydelse.	Af sikkerhedsårsager vil opvaskemaskinen ikke genstarte automatisk, når strømmen vender tilbage. Åbn opvaskemaskinens låge, tryk på knappen START/Pause og luk lågen indenfor 4 sekunder.
	Lågen er ikke lukket. NaturalDry stiften er ikke trykket ind.	Tryk på lågen, til du hører et "klik".
	Cyklussen afbrydes af en døråbning i > 4 sekunder.	Tryk på START/Pause og luk lågen inden for 4 sekunder.
Opvaskemaskinen reagerer ikke på kommandoer. På displayet vises: 9 eller 12 og lysdioden TÆND/SLUK blinker hurtigt.	Maskinen reagerer ikke på kommandoer. På displayet vises: 9 eller 12 og lysdioden TÆND/SLUK blinker hurtigt.	Sluk for maskinen ved at trykke på TÆND/SLUK-knappen, tænd igen efter cirka et minut og genstart programmet. Træk apparatets stik ud og vent 1 minut, før det sættes i igen, hvis problemet varer ved.
	Opvaskeprogrammet er ikke afsluttet.	Vent, til programmet er afsluttet.
	Afløbsslangen er bøjet.	Kontroller, at afløbsslangen ikke er bøjet (jfr. INSTALLATIONSANVISNINGERNE).
	Vaskens afløb er tilstoppet.	Rens afløbet.
Opvaskemaskinen støjer meget.	Filteret er tilstoppet af madrester	Rens filteret (se RENGØRING AF FILTERENHEDEN).
	Servicet slår mod hinanden. Der produceres for meget skum.	Placer servicet korrekt (se FYLDNING AF KURVENE). Opvaskemidlet er ikke doseret korrekt eller er ikke egnet til brug i opvaskemaskine (se PÅFYLDNING AF OPVASKEMIDDEL). Genstart programmet ved at slukke for opvaskemaskinen, tænde den igen, vælg et nyt program, tryk på knappen START/Pause og lukke lågen inden for 4 sekunder. Tilsæt ikke mere opvaskemiddel.
Servicet er ikke rent.	Servicet har ikke været placeret korrekt.	Placer servicet korrekt (se FYLDNING AF KURVENE).
	Spulearmene kan ikke rotere frit, men blokeres af servicet.	Placer servicet korrekt (se FYLDNING AF KURVENE).
	Vaskecyklussen er for skånsom.	Vælg en egnet vaskecyklus (se PROGRAMTABELLEN).
	Der produceres for meget skum.	Opvaskemidlet er ikke doseret korrekt eller er ikke egnet til brug i opvaskemaskine (se PÅFYLDNING AF OPVASKEMIDDEL).
	Dækslet på afspændingsmiddelrummet har ikke været lukket korrekt.	Kontroller, at dækslet på afspændingsmiddelrummet er lukket.
	Filteret er snavset eller stoppet.	Rengør filterenheden (se PLEJE OG VEDLIGEHOLDELSE).
	Maskinen mangler salt.	Påfyld salt (se PÅFYLDNING AF SALT).
Opvaskemaskinen tager ikke vand ind. På displayet vises: H , 6 og lysdioden TÆND/SLUK blinker hurtigt.	Der er ingen vand i vandforsyningen, eller der er lukket for hanen.	Kontroller, at der er vand i vandforsyningen, eller at hanen er åben.
	Indløbsslangen er bøjet.	Kontroller, at indløbsslangen ikke er bøjet (se INSTALLATION), vælg et nyt program, og start maskinen igen
	Sien i vandindløbsslangen er stoppet; Den skal rengøres.	Efter kontrol og rengøring skal du slukke for maskinen og tænde den igen. Start derefter et nyt program.
Opvaskemaskinen afslutter programmet for tidligt. På displayet vises: 15 og lysdioden TÆND/SLUK blinker hurtigt.	Afløbsslangen er anbragt for lavt eller afledes i en vandlås i hjemmets spildevandssystem.	Kontrollér om afløbsslangen er anbragt i den rette højde (se INSTALLATION). Tjek vandlåsen i hjemmets spildevandssystem og installér, om nødvendigt, en luftventil.
	Luft i vandforsyningen.	Tjek vandforsyningen for lækage eller andre problemer, som lader luft slippe ind.



Retningslinjer, standarddokumentation, bestilling af reservedele og supplerende produktinformation kan findes ved at:

- Besøge vores website docs.whirlpool.eu og parts-selfservice.whirlpool.com
- Ved hjælp af QR-koden
- Eller som alternativt **kontakt vores Serviceafdeling** (Telefonnummeret findes i garantihæftet). Når du kontakter vores serviceafdeling, bedes du angive koderne på dit produkts identifikationskilt.

Modelinformation kan indhentes ved hjælp af den anførte QR-kode på energimærkatet. Mærkatet indeholder også modelidentifikatoren, som kan anvendes til at indhente oplysninger på registerportalen <https://eprel.ec.europa.eu>.



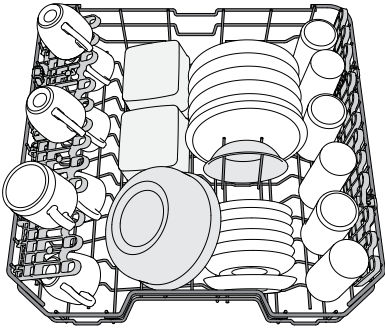
400011671420
03/2023 ks - Xerox Fabriano



LOADING THE RACKS

UPPER RACK

Load delicate and light dishes: glasses, cups, saucers, low salad bowls.

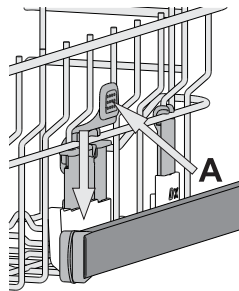


(loading example for the upper rack)

ADJUSTING THE HEIGHT OF THE UPPER RACK

The height of the upper rack can be adjusted: high position to place bulky crockery in the lower basket and low position to make the most of the tip-up supports by creating more space upwards and avoid collision with the items loaded into lower rack.

The upper rack is equipped with a **Upper Rack height adjuster** (see figure), without pressing the levers, lift it up by simply holding the rack sides, as soon as the rack is stable in its upper position. To restore to the lower position, press the levers **A** at the sides of the rack and move the basket downwards.



We strongly recommend that you do not adjust the height of the rack when it is loaded.

NEVER raise or lower the basket on one side only.

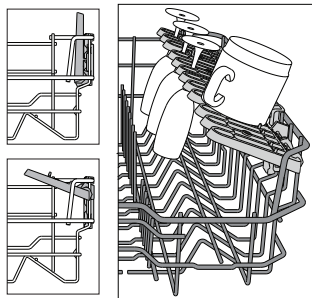
FOLDABLE FLAPS WITH ADJUSTABLE POSITION

The side foldable flaps can be fold or unfold to optimize the arrangement of crockery inside the rack.

Wine glasses can be placed safely in the foldable flaps by inserting the stem of each glass into the corresponding slots.

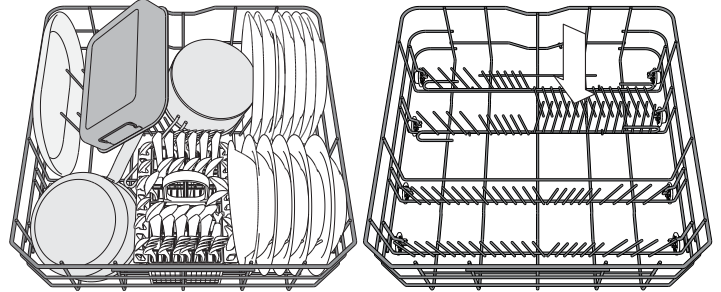
Depending on the model:

- to unfold the flaps there is needed to slide it up and rotate or release it from the snaps and pull it down.
- to fold the flaps there is needed to rotate it and slide flaps down or pull it up and attach flaps to the snaps.



LOWER RACK

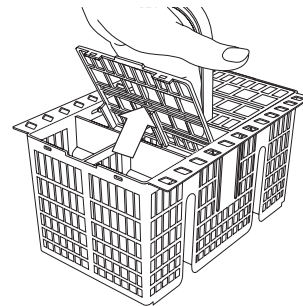
For pots, lids, plates, salad bowls, cutlery etc. Large plates and lids should ideally be placed at the sides to avoid interferences with the spray arm. The lower rack has tip-up supports which can be used in a vertical position when arranging plates or in a horizontal position (lower) to load pans and salad bowls easily.



(loading example for the lower rack)

CUTLERY BASKET

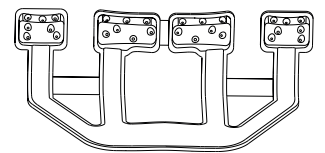
It is fitted with top grids for improved cutlery arrangement. It must only be positioned at the front of the lower rack.



Knives and other utensils with sharp edges must be placed in the cutlery basket with the points facing downwards or they must be positioned horizontally in the tip-up compartments on the upper rack.

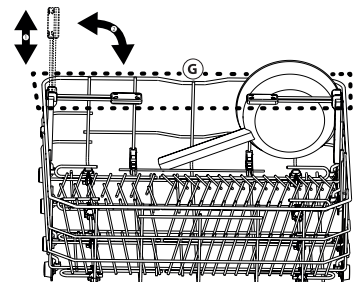
POWER CLEAN®

Power Clean® uses the special water jets in the rear of cavity to wash more intensively the high dirty items. The lower rack has a Space Zone, a special pull-out support in the rear of the rack that can be used to support frying pans or baking pans in upright position, thus taking up less space. Placing the pots/casseroles faced to the Power Clean® component please activate the **POWER CLEAN®** on the panel.



How to use Power Clean®:

1. Adjust the Power Clean® area **G** folding down the rear plate holders to load pots.
2. Load pots and casseroles inclined vertically in Power Clean® area. Pots have to be inclined towards the power water jets.



DAILY USE

1. CHECK WATER CONNECTION

Check that the dishwasher is connected to the water supply and that the tap is open.

2. SWITCH ON THE DISHWASHER

Open the door and press the **ON/OFF** button.

3. LOAD THE RACKS (see *LOADING THE RACKS*).

4. FILLING THE DETERGENT DISPENSER

5. CHOOSE THE PROGRAM AND CUSTOMISE THE CYCLE

Select the most appropriate program in accordance with the type of crockery and its soiling level (see *PROGRAMS DESCRIPTION*) by pressing the **P** button.

Select the desired options (see *OPTIONS AND FUNCTIONS*).

6. START

Start the wash cycle by pressing **START/Pause** button (led is lit) and closing the door within 4 sec. When the program starts you hear a single beep. If the door was not closed within 4sec., the alarm sound will be played. In this case, open the door, press **START/Pause** button and close the door again within 4 sec.

7. END OF WASH CYCLE

The end of the wash cycle is indicated by beeps and by the flashing of the wash cycle number on the display. Open the door and switch off the appliance by pressing the **ON/OFF** button.

Wait for a few minutes before removing the crockery - to avoid burns. Unload the racks, beginning with the lower one.

The machine will switch off automatically during certain extended periods of inactivity, in order to minimise electricity consumption. If the crockery is only lightly soiled or if it has been rinsed with water before being placed in the dishwasher, reduce the amount of detergent used accordingly.

MODIFYING A RUNNING PROGRAM

If a wrong program was selected, it is possible to change it, provided that it has only just begun: open the door, press and hold the **ON/OFF** button, the machine will switch off.

Switch the machine back on using the **ON/OFF** button and select the new wash cycle and any desired options; Start the wash cycle by pressing **START/Pause** button (led is lit) and closing the door within 4 sec.

ADDING EXTRA CROCKERY

Without switching off the machine, open the door (**START/Pause** led starts blinking) (**be ware of HOT steam!**) and place the crockery inside the dishwasher. Press the **START/Pause** button and close the door within 4 sec., the cycle will resume from the point at which it was interrupted.

ACCIDENTAL INTERRUPTIONS

If the door is opened during the wash cycle, or if there is a power cut, the cycle stops. Press the **START/Pause** button and close the door within 4 sec., the cycle will resume from the point at which it was interrupted.

ADVICE AND TIPS

TIPS

Before loading the baskets, remove all food residues from the crockery and empty the glasses. **You do not need to rinse beforehand under running water.**

Arrange the crockery so that it is held in place firmly and does not tip over; and arrange the containers with the openings facing downwards and the concave/convex parts placed obliquely, thus allowing the water to reach every surface and flow freely.

Warning: lids, handles, trays and frying pans do not prevent the sprayer arms from rotating.

Place any small items in the cutlery basket.

Very soiled dishes and pans should be placed in the lower basket because in this sector the water sprays are stronger and allow a higher washing performance.

After loading the appliance, make sure that the sprayer arms can rotate freely.

UNSUITABLE CROCKERY

- Wooden crockery and cutlery.
- Delicate decorated glasses, artistic handicraft and antique crockery. Their decorations are not resistant.
- Parts in synthetic material which do not withstand high temperatures.
- Copper and tin crockery.
- Crockery soiled with ash, wax, lubricating grease or ink.

The colours of glass decorations and aluminium/silver pieces can change and fade during the washing process. Some types of glass (e.g. crystal objects) can become opaque after a number of wash cycles too.

DAMAGE TO GLASS AND CROCKERY

- Only use glasses and porcelain guaranteed by the manufacturer as dishwasher safe.
- Use a delicate detergent suitable for crockery
- Collect glasses and cutlery from the dishwasher as soon as the wash cycle is over.

TIPS ON ENERGY SAVING

- When the household dishwasher is used according to the manufacturer's instructions, **washing tableware in a dishwasher usually consumes less energy and water than hand dishwashing.**
- In order to maximize dishwasher efficiency it is recommended to **initiate the wash cycle once dishwasher is fully loaded.** Loading the household dishwasher up to the capacity indicated by the manufacturer will contribute to energy and water savings. Information on correct loading of tableware can be found in Loading chapter. In case of partial loading it is recommended to use dedicated wash options if available (Half load/ Zone Wash, Multizone), filling up only selected racks. Incorrect loading or overloading the dishwasher may increase resources usage (such as water, energy and time, as well as increase noise level), reducing cleaning and drying performance.
- Manual pre-rinsing of tableware items leads to increased water and energy consumption and is not recommended.

HYGIENE

To avoid odour and sediment which can be accumulated in the dishwasher **please run a high temperature program at least one a month.** Use a tea spoon of detergent and run it without the loading to clean your appliance.

CARE AND MAINTENANCE

CLEANING THE FILTER ASSEMBLY

Regularly clean the filter assembly so that the filters do not clog and that the waste water flows away correctly.

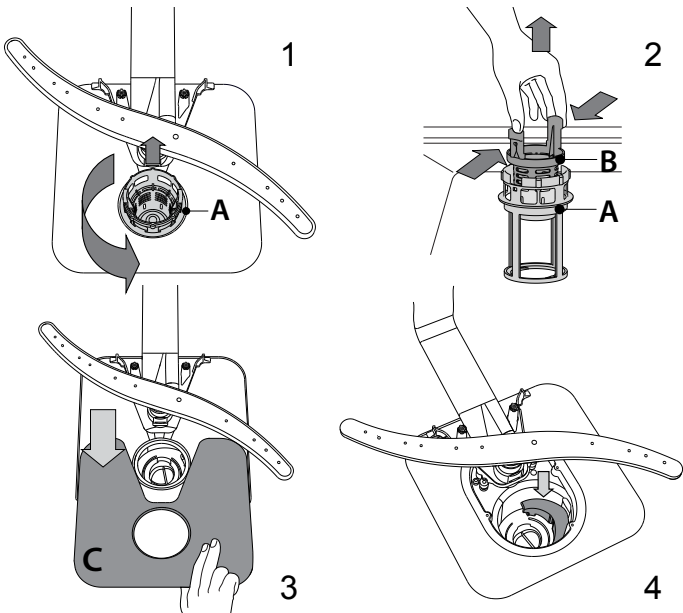
Using dishwasher with clogged filters or foreign objects inside filtration system or sprayarms may cause unit malfunction resulting in lose of performance, noisy work or higher resources usage.

The filter assembly consists of three filters which remove food residues from the washing water and then recirculate the water.

The dishwasher must not be used without filters or if the filter is loose.

At least once per month or after each 30 cycles, check the filter assembly and if necessary clean it thoroughly under running water, using a non-metallic brush and following the instructions below:

1. Turn the cylindrical filter **A** in an anti-clockwise direction and pull it out (Fig 1).
2. Remove the cup filter **B** by exerting a slight pressure on the side flaps (Fig 2).
3. Slide out the stainless-steel plate filter **C** (Fig 3).
4. In case you find foreign objects (such as broken glass, porcelain, bones, fruit seeds etc.) **please remove them carefully**.
5. Inspect the trap and remove any food residues. **NEVER REMOVE** the wash-cycle pump protection (black detail) (Fig 4).



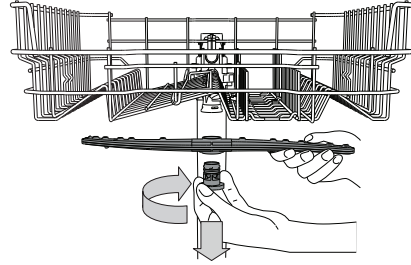
After cleaning the filters, re-place the filter assembly and fix it in position correctly; this is essential for maintaining the efficient operation of the dishwasher.

CLEANING THE WATER INLET HOSE

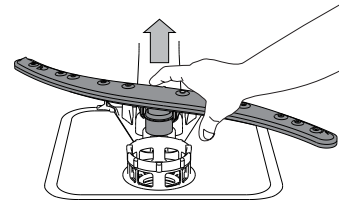
If the water hoses are new or have not been used for an extended period of time, let the water run to make sure it is clear and free of impurities before performing the necessary connections. If this precaution is not taken, the water inlet could become blocked and damage the dishwasher.

CLEANING THE SPRAY ARMS

On occasions, food residue may become encrusted onto the spray arms and block the holes used to spray the water. It is therefore recommended that you check the arms from time to time and clean them with a small non-metallic brush.



To remove the upper spray arm, turn the plastic locking ring in a clockwise direction. The upper spray arm should be replaced so that the side with the greater number of holes is facing upwards.



The lower spray arm may be removed by pulling it upwards.

WATER SOFTENING SYSTEM

Water softener automatically reduces water hardness, consequently preventing scale buildup on heater, contributing also to better cleaning efficiency.

This system regenerates itself with salt, therefore it is required to refill salt container when empty.



Frequency of regeneration depends on water hardness level setting - regeneration takes place once per **6** Eco cycles with water hardness level set to **3**.

Regeneration process starts in final rinse and finishes in drying phase, before cycle ends.

- Single regeneration consumes: ~3.5L of water;
- Takes up to 5 additional minutes for the cycle;
- Consumes below 0.005kWh of energy.

TROUBLESHOOTING

In case your dishwasher doesn't work properly, check if the problem can be solved by going through the following list. For other errors or issues please contact authorized After-sales Service which contact details can be found in the warranty booklet. Spare parts will be available for a period of either up to 7 or up to 10 years, according to the specific Regulation requirements.

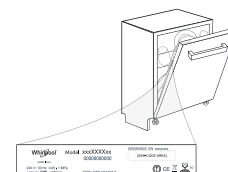
PROBLEMS	POSSIBLE CAUSES	SOLUTIONS
 Salt indicator is lit	Salt reservoir is empty. (After refill the salt indicator may remain lit for several wash cycles).	Refill reservoir with salt (for more information - see page 2). Adjust water hardness - see table, page 2.
 Rinse aid indicator is lit	Rinse aid dispenser is empty. (After refill the rinse aid indicator may remain lit for several wash cycles).	Refill dispenser with rinse aid (for more information - see page 2).
The dishwasher won't start or does not respond to commands.	The appliance has not been plugged in properly.	Insert the plug into the socket.
	Power outage.	For safety reasons, dishwasher will not re-start automatically when power returns. Open dishwasher door, press START/Pause button and close the door within 4 seconds.
	The dishwasher door is not closed. NaturalDry pin is not pulled in.	Vigorously push the door until you hear the "click".
	Cycle is interrupted by door opening for more than 4 seconds.	Press START/Pause and close the door within 4 seconds.
It does not respond to commands. Display shows: 9 or 12 and On/Off LED is blinking rapidly		Switch off the appliance by pressing the ON/OFF button, switch it back on after approximately one minute and restart the program. If problem persists, unplug the appliance for 1 minute, then plug it back in.
The dishwasher won't drain. Display shows: 3 and On/Off LED is blinking rapidly	The wash cycle has not finished yet.	Wait until the wash cycle finishes.
	The drain hose is bent.	Check that the drain hose is not bent (see <i>INSTALLATION INSTRUCTION</i>).
	The sink drain pipe is blocked.	Clean the sink drain pipe.
	The filter is clogged up with food residues.	Clean the filter (see <i>CLEANING THE FILTER ASSEMBLY</i>).
The dishwasher makes excessive noise.	The dishes are rattling against each	Position the crockery correctly (see <i>LOADING THE RACKS</i>).
	An excessive amount of foam has been produced.	The detergent has not been measured out correctly or it is not suitable for use in dishwashers (see <i>FILLING THE DETERGENT DISPENSER</i>). Restart the current cycle by switching OFF the dishwasher, then switch it on again, select a new program, press START/Pause and close the door within 4 seconds. Please do not add any detergent.
The dishes are not clean.	The crockery has not been arranged properly.	Arrange the crockery correctly (see <i>LOADING THE RACKS</i>).
	The spray arms cannot rotate freely, being hindered by the dishes.	Arrange the crockery correctly (see <i>LOADING THE RACKS</i>).
	The wash cycle is too gentle.	Select an appropriate wash cycle (see <i>PROGRAMS TABLE</i>).
	An excessive amount of foam has been produced.	The detergent has not been measured out correctly or it is not suitable for use in dishwashers (see <i>FILLING THE DETERGENT DISPENSER</i>).
	The cap on the rinse aid compartment has not been shut correctly.	Make sure the cap of the rinse aid dispenser is closed.
	The filter is soiled or clogged.	Clean the filter assembly (see <i>CARE AND MAINTENANCE</i>).
	There is no salt.	Fill the salt reservoir (see <i>FILLING THE SALT RESERVOIR</i>).
The dishwasher does not fill the water. Display shows: H , 6 and On/Off LED is blinking rapidly	No water in the water supply or the tap is closed.	Make sure there is water in the water supply or the tap running.
	The inlet hose is bent.	Make sure the inlet hose is not bent (see <i>INSTALLATION</i>) reprogram the dishwasher and reboot.
	The sieve in the water inlet hose is clogged; it is necessary to clean it	After having carried out the verification and cleaning, turn off and turn on the dishwasher and restart a new program.
Dishwasher finishes the cycle prematurely. Display shows: 15 and On/Off LED is blinking rapidly	Drain hose positioned too low or siphoning into home sewage system.	Check if end of drain hose is placed at correct height (see <i>INSTALLATION</i>). Check for siphoning into home sewage system, install air admittance valve if necessary.
	Air in water supply.	Check water supply for leaks or other issues letting air inside.



Policies, standard documentation, ordering of spare parts and additional product information can be found by:

- Visiting our website docs.whirlpool.eu and parts-selfservice.whirlpool.com
- Using QR Code
- Alternatively, **contact our After-sales Service** (See phone number in the warranty booklet). When contacting our After-sales Service, please state the codes provided on your product's identification plate.

The model information can be retrieved using the QR-Code reported in the energy label. The label also includes the model identifier that can be used to consult the portal of the registry at <https://eprel.ec.europa.eu>.



400011671420

03/2023 ks - Xerox Fabriano

