

SAFETY INSTRUCTIONS

Download the complete instruction manual on <http://docs.whirlpool.eu> or call the phone number shown on the warranty booklet.

Before using the appliance, read these safety instructions. Keep them nearby for future reference. These instructions and the appliance itself provide important safety warnings, to be observed at all times. The manufacturer declines any liability for failure to observe these safety instructions, for inappropriate use of the appliance or incorrect setting of controls.

⚠ **WARNING:** If the hob surface is cracked, do not use the appliance - risk of electric shock.

⚠ **WARNING:** Danger of fire: Do not store items on the cooking surfaces.

⚠ **CAUTION:** The cooking process has to be supervised. A short cooking process has to be supervised continuously.

⚠ **WARNING:** Unattended cooking on a hob with fat or oil can be dangerous - risk of fire. NEVER try to extinguish a fire with water: instead, switch off the appliance and then cover flame e.g. with a lid or a fire blanket.

⚠ Do not use the hob as a work surface or support. Keep clothes or other flammable materials away from the appliance, until all the components have cooled down completely - risk of fire.

⚠ Very young children (0-3 years) should be kept away from the appliance. Young children (3-8 years) should be kept away from the appliance unless continuously supervised. Children from 8 years old and above and persons with reduced physical, sensory or mental capabilities or lack of experience and knowledge can use this appliance only if they are supervised or have been given instructions on safe use and understand the hazards involved. Children must not play with the appliance. Cleaning and user maintenance must not be carried out by children without supervision.

⚠ **WARNING:** The appliance and its accessible parts become hot during use. Care should be taken to avoid touching heating elements. Children less than 8 years of age shall be kept away unless continuously supervised.

PERMITTED USE

⚠ **CAUTION:** the appliance is not intended to be operated by means of an external switching device, such as a timer, or separate remote controlled system.

⚠ This appliance is intended to be used in household and similar applications such as: staff kitchen areas in shops, offices and other working environments; farm houses; by clients in hotels, motels, bed & breakfast and other residential environments.

⚠ No other use is permitted (e.g. heating rooms).

IMPORTANT TO BE READ AND OBSERVED

⚠ This appliance is not for professional use. Do not use the appliance outdoors.

INSTALLATION

⚠ The appliance must be handled and installed by two or more persons - risk of injury. Use protective gloves to unpack and install - risk of cuts.

⚠ Installation, including water supply (if any), electrical connections and repairs must be carried out by a qualified technician. Do not repair or replace any part of the appliance unless specifically stated in the user manual. Keep children away from the installation site. After unpacking the appliance, make sure that it has not been damaged during transport. In the event of problems, contact the dealer or your nearest After-sales Service. Once installed, packaging waste (plastic, styrofoam parts etc.) must be stored out of reach of children - risk of suffocation. The appliance must be disconnected from the power supply before any installation operation - risk of electric shock. During installation, make sure the appliance does not damage the power cable - risk of fire or electric shock. Only activate the appliance when the installation has been completed.

⚠ Carry out all cabinet cutting operations before fitting the appliance and remove all wood chips and sawdust.

⚠ If the appliance is not installed above an oven, a separator panel (not included) must be installed in the compartment under the appliance.

ELECTRICAL WARNINGS

⚠ It must be possible to disconnect the appliance from the power supply by unplugging it if plug is accessible, or by a multi-pole switch installed upstream of the socket in accordance with the wiring rules and the appliance must be earthed in conformity with national electrical safety standards.


⚠ Do not use extension leads, multiple sockets or adapters. The electrical components must not be accessible to the user after installation. Do not use the appliance when you are wet or barefoot. Do not operate this appliance if it has a damaged power cable or plug, if it is not working properly, or if it has been damaged or dropped.

⚠ Installation using a power cable plug is not allowed unless the product is already equipped with the one provided by the Manufacturer.


⚠ If the supply cord is damaged, it must be replaced with an identical one by the manufacturer, its service agent or similarly qualified persons in order to avoid a hazard - risk of electric shock.

CLEANING AND MAINTENANCE

⚠ **WARNING:** Ensure that the appliance is switched off and disconnected from the power supply before performing any maintenance operation; never use steam cleaning equipment - risk of electric shock.

 Do not use abrasive or corrosive products, chlorine-based cleaners or pan scourers.

DISPOSAL OF PACKAGING MATERIALS


The packaging material is 100% recyclable and is marked with the recycle symbol .

The various parts of the packaging must therefore be disposed of responsibly and in full compliance with local authority regulations governing waste disposal.

DISPOSAL OF HOUSEHOLD APPLIANCES

This appliance is manufactured with recyclable or reusable materials. Dispose of it in accordance with local waste disposal regulations. For further information on the treatment, recovery and recycling of household electrical appliances, contact your local authority, the collection service for household waste or the store where you purchased the appliance. This appliance is marked in compliance with European Directive 2012/19/EU, Waste Electrical and Electronic Equipment (WEEE) and with the Waste Electrical and Electronic Equipment regulations 2013 (as amended).

By ensuring this product is disposed of correctly, you will help prevent negative consequences for the environment and human health.

The symbol  on the product or on the accompanying documentation indicates that it should not be treated as domestic waste but must be taken to an appropriate collection center for the recycling of electrical and electronic equipment.

ENERGY SAVING TIPS

Make the most of your hot plate's residual heat by switching it off a few minutes before you finish cooking.

The base of your pot or pan should cover the hot plate completely; a container that is smaller than the hot plate will cause energy to be wasted. Cover your pots and pans with tight-fitting lids while cooking and use as little water as possible. Cooking with the lid off will greatly increase energy consumption.

Use only flat-bottomed pots and pans.

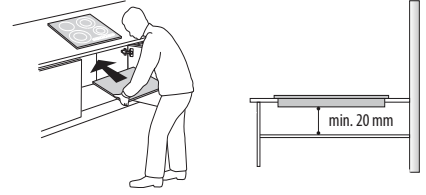
DECLARATION OF CONFORMITY

This appliance meets Ecodesign requirements of European Regulation 66/2014 and The Ecodesign for Energy-Related Products and Energy Information (Amendment) (EU Exit) Regulations 2019 in compliance with the European standard EN 60350-2.



INSTALLATION

- The cooktop must be set into a worktop between 30 mm and 50 mm deep.
- There must be nothing between the cooktop and the oven (cross rails, brackets, etc.).
- Make sure the power cord is long enough to allow convenient installation.
- The distance between the lower face of the glass ceramic hob and the cupboard or separating panel must be at least 20 mm.
- For built-in dimensions and installation see the picture in this paragraph.
- A minimum distance must be maintained between the hob and the hood above it. Please refer to the user manual of the hood for more informations.
- Apply the supplied gasket to the cooktop (unless it has already been fitted), after having cleaned its surface.
- **Do not install the cooktop near a dishwasher or washing machine, so that the electronic circuits do not come into contact with steam or moisture, which could damage them.**
- If an oven is installed beneath the cooktop, make sure that it is equipped with a cooling system. If the temperature of the electronic circuits exceeds the maximum permitted temperature, the cooktop will switch off automatically; in this case, wait for a few minutes until the internal temperature of the electronic circuits reaches a tolerable level, at which point it will be possible to switch the hob on again.

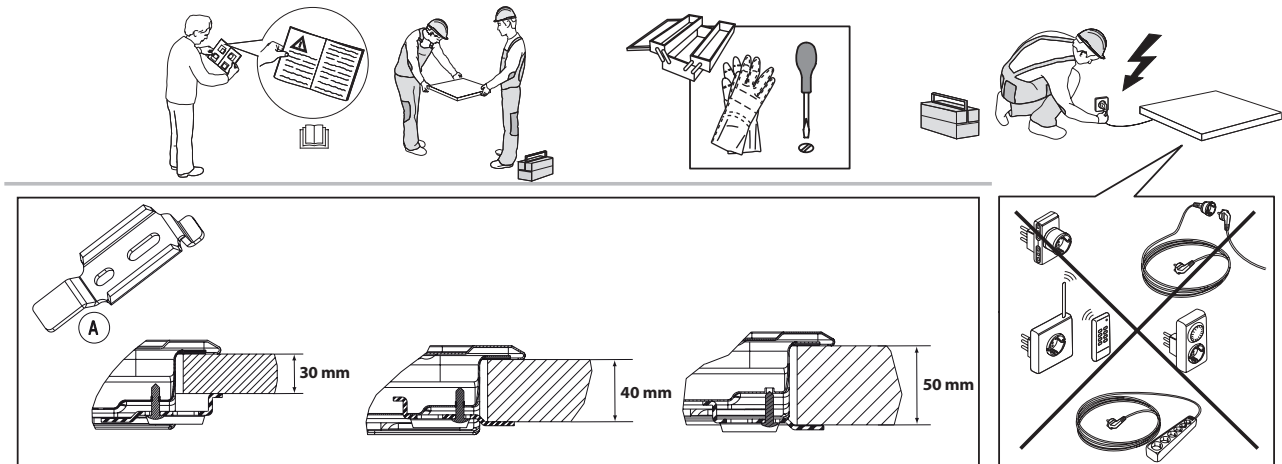


PLACING THE HOB

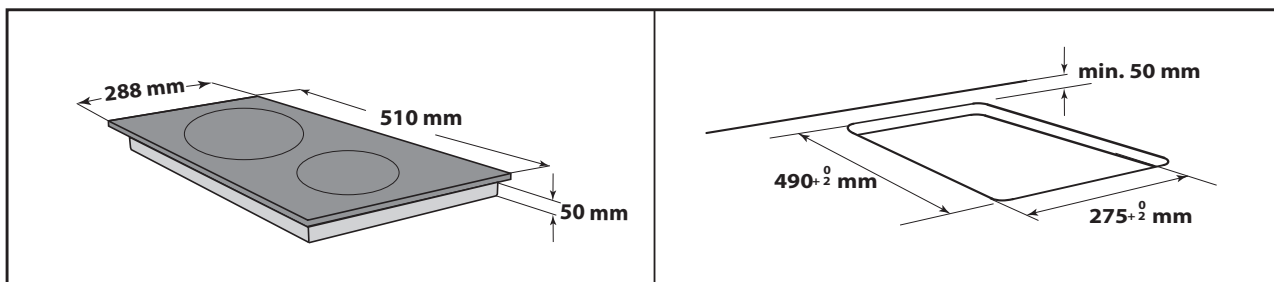
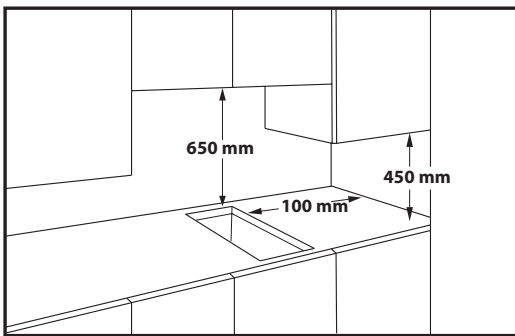
Important: remove any protective film before installing the hob.

Make sure that the opening in the worktop for the hob is cut according to the dimensions given in the drawing, paying attention to the tolerance range. The hob should not be forced into the worktop. Forcing the glass ceramic top may cause it to crack (even at a later date)!

If the worktop is made of wood, use the spring clips and screws provided. Secure the spring clips (A) with the screws supplied, paying attention to the specified distances. Fit the hob into the worktop.



DIMENSIONS AND DISTANCES TO BE MAINTAINED



REMOVING THE HOB:

To remove the hob, first, disconnect it from the electric supply. It is strongly recommended to free the underneath part from the oven, drawer, separator, or other. It allows the technician to access the lower part of the hob to unfasten the four clips with a screwdriver, lift the hob and remove it, avoiding any worktop damage.

ELECTRICAL CONNECTION

Electrical connection must be made before connecting the appliance to the electricity supply.

The power cord is not included in the package - remember to prepare your own power cord.


Installation must be carried out by qualified personnel who know the current safety and installation regulations. Specifically, installation must be carried out in compliance with the regulations of the local electricity supply company.

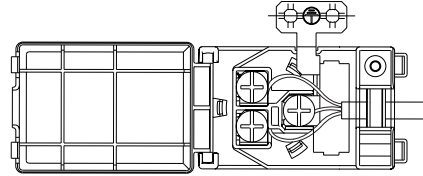
Make sure the voltage specified on the data plate located on the bottom of the appliance is the same as that of the home.

Regulations require that the appliance be earthed: use conductors (including the earth conductor) of the appropriate size only.

CONNECTION TO THE TERMINAL BLOCK


For the electrical connection, use an H05RR-F or H05V2V2-F cable as specified in the table below.

SUPPLY VOLTAGE	CONDUCTORS AMOUNT x SIZE
220-240V ~ + 	3 x 1,5 mm ²



The appliance must be connected to the electricity supply by means of an all-pole disconnect switch with minimum contact gap of 3 mm.

ATTENTION: the power supply cable must be long enough to allow the cooktop to be removed from the worktop and must be positioned so as to avoid damage or overheating caused by contact with the base.

NOTE: the yellow/green earth wire must be connected to the terminal with the symbol  and must be longer than the other wires.

- Remove approx. 70 mm of the cable sheath from the power supply cable.
- Strip approx. 10 mm of sheath from the wires.
- Open the terminal board by pushing the side clips in with the help of a tool.
- Insert the cable in the cable clamp and connect the wires to the terminal board.
- Close the cover of the terminal board.
- After the electrical connection, fit the hob from the top and hook it to the fixing springs.



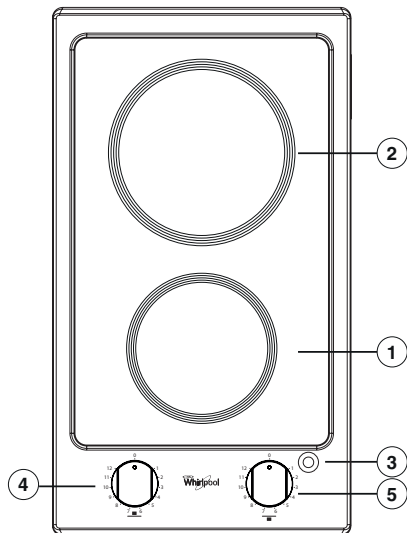
THANK YOU FOR BUYING A WHIRLPOOL PRODUCT
 In order to receive a more complete assistance, please register your product on www.whirlpool.eu/register.

PLEASE SCAN THE QR CODE ON YOUR APPLIANCE IN ORDER TO REACH MORE INFORMATION

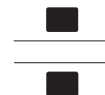


Before using the appliance carefully read the Safety Instruction.

PRODUCT DESCRIPTION



1. Radiant cooking zone Ø 145
2. Radiant cooking zone Ø 180
3. ON/OFF indicator light
4. Control knob for rear cooking zone
5. Control knob for front cooking zone



FIRST TIME USE

Before use:

- remove adhesives stuck on the hob;
- remove cardboard guards and protective plastic film;

- check whether the hob has been damaged during transport. If in doubt, contact the After Sales Service.

DAILY USE

SWITCHING THE HOB ON/OFF

To use the hob turn the knob(s) clockwise and position it (them) on the required power setting.

To turn the hob off, turn the knob(s) back to position "0".

IMPORTANT: To avoid a permanent damage the hob:

- do not use pots with bottoms that are not flat;
- do not use metal pots with enamelled bottom;
- do not place hot pots/pans over the control panel.

COOKING TABLE

KNOB (1-12)	TYPE OF COOKING
1 – 2	Melting butter, chocolate, etc.
2 – 3 – 4	Keeping food warm and reheating small quantities of liquid.
4 – 5 – 6	Heating larger quantities, making custards and sauces.
6 – 7	Gentle simmering, for example: boiled vegetables, spaghetti, soups, pot roasts, stews.
7 – 8	For all fried food, cutlets, steaks, cooking without use of lid, for example: risotto.
8 – 9 – 10	Browning meats, roast potatoes, fried fish and to boil large quantities of water.
11 – 12	Brisk frying, griddling steaks, etc.

CLEANING AND MAINTENANCE

Disconnect the appliance from the power supply.

- Do not use steam cleaning equipment.
- Do not use abrasive sponges or scouring pads as they may damage the glass.
- After each use, clean the hob (when it is cool) to remove any deposits and stains from food residue.
- Sugar or foods with a high sugar content can damage the hob and must be immediately removed.

- Salt, sugar and sand could scratch the glass surface.
- Use a soft cloth, absorbent kitchen paper or a specific hob cleaner (follow the Manufacturer's instructions).
- Spills of liquid in the cooking zones can cause the pots to move or vibrate.
- After cleaning the hob, dry thoroughly.

TROUBLESHOOTING

If the hob will not operate correctly, before calling the After-Sales Service, refer to the Troubleshooting Guide to determine the problem.

- Read and follow the instructions given in the section "Daily use".
- Check that the electricity supply has not been shut off.
- Turn the hob off and on again, to make sure that the problem has been solved.
- Make sure that the knob is not turned to "0".
Turn the multi-pole switch to "Off" for a few minutes and then turn it back to "On".

- The hob will not switch off: disconnect the hob immediately from the power supply.

If after the above checks the fault still occurs, get in touch with the nearest After Sales Service.

AFTER-SALES SERVICE

In order to receive a more complete assistance, please register your product on www.whirlpool.eu/register.

BEFORE CALLING THE AFTER-SALES SERVICE:

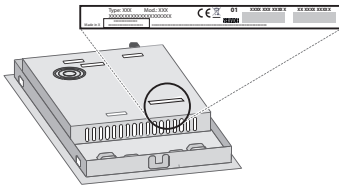
1. See if you can solve the problem by yourself with the help of the suggestions given in the **TROUBLESHOOTING**.
2. Switch the appliance off and back on again to see if the fault persists.

IF AFTER THE ABOVE CHECKS THE FAULT STILL OCCURS, GET IN TOUCH WITH THE NEAREST AFTER-SALES SERVICE.

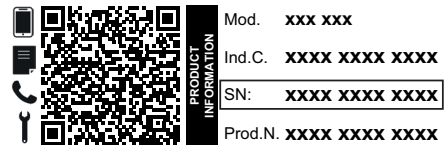
To receive assistance, call the number shown on the warranty booklet or follow the instructions on the website www.whirlpool.eu.

When contacting our Client After sales service, always specify:

- a brief description of the fault;
- the type and exact model of the appliance;



- the serial number (number after the word SN on the rating plate located under the appliance). The serial number is also indicated in the documentation;



- your full address;
- your telephone number.

If any repairs are required, please contact an authorized after-sales service (to guarantee that original spare parts will be used and repairs carried out correctly).

Policies, standard documentation and additional product information can be found by:

- Using QR code in your appliance;
- Visiting our website docs.whirlpool.eu;
- Alternatively, **contact our After-sales Service** (See phone number in the warranty booklet). When contacting our After-sales Service, please state the codes provided on your product's identification plate.



CONSIGNES DE SÉCURITÉ

IMPORTANT - À LIRE ET À RESPECTER

Télécharger le manuel d'instructions complet sur <http://docs.whirlpool.eu> ou appeler le numéro de téléphone indiqué sur le livret de garantie.

Avant d'utiliser l'appareil, lire attentivement les consignes de sécurité. Conservez-les à portée pour consultation ultérieure.

Le présent manuel et l'appareil en question contiennent des consignes de sécurité importantes qui doivent être observées en tout temps. Le Fabricant décline toute responsabilité si les consignes de sécurité ne sont pas respectées, en cas de mauvaise utilisation de l'appareil, ou d'un mauvais réglage des commandes.

⚠ **AVERTISSEMENT:** Ne pas utiliser la table de cuisson si la surface est cassée ou fissurée - risque de choc électrique.

⚠ **AVERTISSEMENT:** Risque d'incendie: Ne rangez aucun objet sur les surfaces de cuisson.

⚠ **MISE EN GARDE:** La cuisson doit être supervisée. Une cuisson de courte durée doit être supervisée en tout temps.

⚠ **AVERTISSEMENT:** Une cuisson sans surveillance sur une table de cuisson contenant de la graisse ou de l'huile peut s'avérer dangereuse - risque d'incendie. Ne tentez JAMAIS d'éteindre un feu avec de l'eau: au contraire, éteignez l'appareil, puis couvrez la flamme, par exemple avec un couvercle ou une couverture ignifuge.

⚠ N'utilisez pas la table de cuisson comme surface de travail ou support. Gardez les vêtements et autres matières inflammables loin de l'appareil jusqu'à ce que toutes les composantes soient complètement refroidies - un incendie pourrait se déclarer.

⚠ Les enfants en bas âge (0-3 ans) doivent être tenus à l'écart de l'appareil. Les jeunes enfants (3-8 ans) doivent être tenus à l'écart de l'appareil sauf s'ils se trouvent sous surveillance constante. Les enfants âgés de 8 ans et plus, ainsi que les personnes présentant des capacités physiques, sensorielles ou mentales réduites, ou ne possédant ni l'expérience ni les connaissances requises, peuvent utiliser cet appareil seulement s'ils sont supervisés, ou si une personne responsable leur a expliqué l'utilisation sécuritaire et les dangers potentiels de l'appareil. Ne laissez pas les enfants jouer avec l'appareil. Le nettoyage et l'entretien ne doivent pas être exécutés par des enfants sans surveillance.

⚠ **AVERTISSEMENT:** L'appareil, ainsi que ses parties accessibles, peuvent atteindre température élevée lors de l'utilisation. Veillez à ne pas toucher les éléments chauffants. Les enfants de moins de 8 ans doivent être tenus à l'écart de l'appareil, à moins d'être sous surveillance constante.

USAGE AUTORISÉ

⚠ **MISE EN GARDE:** Cet appareil n'est pas conçu pour être utilisé avec un dispositif de mise en marche externe comme une minuterie ou un système de contrôle à distance.

⚠ Cet appareil est destiné à un usage domestique et peut aussi être utilisé dans les endroits suivants: cuisines pour le personnel dans les magasins, bureaux et autres environnements de travail ; dans les fermes ; par les clients dans les hôtels, motels, et autres résidences similaires.

⚠ Aucune autre utilisation n'est autorisée (p. ex. pour chauffer des pièces).

⚠ Cet appareil n'est pas conçu pour un usage professionnel. N'utilisez pas l'appareil en extérieur.

INSTALLATION

⚠ Deux personnes minimum sont nécessaires pour déplacer et installer l'appareil - risque de blessure. Utilisez des gants de protection pour le déballage et l'installation de l'appareil - vous risquez de vous couper.

⚠ L'installation, incluant l'alimentation en eau (selon le modèle), et les connexions électriques, ainsi que les réparations, doivent être exécutées par un technicien qualifié. Ne procédez à aucune réparation ni à aucun remplacement de pièce sur l'appareil autre que ceux spécifiquement indiqués dans le guide d'utilisation. Gardez les enfants à l'écart du site d'installation. Après avoir déballé l'appareil, assurez-vous qu'il n'a pas été endommagé pendant le transport. En cas de problème, contactez le détaillant ou le service Après-vente le plus proche. Une fois installé, gardez le matériel d'emballage (sacs en plastique, parties en polystyrène, etc.) hors de la portée des enfants - ils pourraient s'étouffer. L'appareil ne doit pas être branché à l'alimentation électrique lors de l'installation - vous pourriez vous électrocuter. Au moment de l'installation, assurez-vous que le câble d'alimentation n'est pas endommagé par l'appareil - risque d'incendie ou de choc électrique. Allumez l'appareil uniquement lorsque l'installation est terminée.

⚠ Découpez le contour du meuble avant d'y insérer l'appareil, et enlevez soigneusement tous les copeaux et la sciure de bois.

⚠ Si l'appareil n'est pas installé au-dessus d'un four, un panneau séparateur (non compris) doit être installé dans le compartiment sous l'appareil.

ALIMENTATION ÉLECTRIQUE

⚠ Il doit être possible de débrancher l'appareil de l'alimentation électrique en retirant la fiche de la prise de courant si elle est accessible, ou à l'aide d'un interrupteur multipolaire en amont de la prise de courant, conformément aux normes de sécurité électrique nationales.

⚠ Utilisez pas de rallonge, de prises multiples ou d'adaptateurs. Une fois l'installation terminée, l'utilisateur ne devra plus pouvoir accéder aux composantes électriques. N'utilisez pas l'appareil si vous êtes mouillé ou si vous êtes pieds nus. N'utilisez pas l'appareil si le câble d'alimentation ou la prise de courant est endommagé(e), si l'appareil ne fonctionne pas correctement, ou s'il a été endommagé ou est tombé.

⚠ Une installation utilisant une prise de câble électrique n'est pas autorisée sauf si le produit en est déjà équipé par le Fabricant.


⚠ Si le câble d'alimentation est endommagé, il doit être remplacé avec un câble identique par le fabricant, un représentant du Service Après-vente, ou par toute autre personne qualifiée - vous pourriez vous électrocuter.

NETTOYAGE ET ENTRETIEN

⚠ **AVERTISSEMENT:** Assurez-vous que l'appareil est éteint et débranchez de l'alimentation électrique avant d'effectuer le nettoyage ou l'entretien ; n'utilisez jamais un appareil de nettoyage à vapeur - risque de choc électrique.

⚠ Utilisez en aucun cas de produits abrasifs ou corrosifs, de produits chlorés ou de tampons à récurer.

MISE AU REBUT DES MATÉRIAUX D'EMBALLAGE


Les matériaux d'emballage sont entièrement recyclables comme l'indique le symbole de recyclage .

Les différentes parties de l'emballage doivent donc être jetées de manière responsable et en totale conformité avec les réglementations des autorités locales régissant la mise au rebut de déchets.

MISE AU REBUT DES APPAREILS ÉLECTROMÉNAGERS

Cet appareil est fabriqué à partir de matériaux recyclables ou réutilisables. Mettez-le au rebut en vous conformant aux réglementations locales en matière d'élimination des déchets. Pour toute information supplémentaire sur le traitement et le recyclage des appareils électroménagers, contactez le service local compétent, le service de collecte des déchets ménagers ou le magasin où vous avez acheté l'appareil. Cet appareil est marqué comme étant conforme à la Directive européenne 2012/19/EU, aux réglementations relatives aux Déchets d'équipement électrique et électronique (DEEE) et relatives aux Déchets d'équipement électrique et électronique de 2013 (tels qu'amendés).

En vous assurant que l'appareil est mis au rebut correctement, vous pouvez aider à éviter d'éventuelles conséquences négatives sur l'environnement et la santé humaine.

Le symbole  sur le produit ou sur la documentation qui l'accompagne indique qu'il ne doit pas être traité comme un déchet domestique, mais doit être remis à un centre de collecte spécialisé pour le recyclage des appareils électriques et électroniques.

CONSEILS RELATIFS À L'ÉCONOMIE D'ÉNERGIE

Tirez le meilleur de la chaleur résiduelle de votre plaque de cuisson en l'éteignant quelques minutes avant de terminer la cuisson.

La base de votre casserole ou de votre poêle couvre totalement la plaque chaude; un récipient plus petit que la plaque chaude provoquera un gaspillage d'énergie.

Couvrez vos casseroles et poêles avec des couvercles parfaitement ajustés et utilisez le moins d'eau que possible. La cuisson à découvert augmentera considérablement la consommation d'énergie.

Utilisez uniquement des casseroles et poêles à fond plat.

DÉCLARATION DE CONFORMITÉ

Cet appareil respecte les conditions requises d'écoconception de la Réglementation européenne 66/2014 et des Réglementations en matière d'écoconception pour les produits liés à l'énergie et les informations énergétiques (Amendement) (Sortie de l'UE) 2019, conformément à la norme européenne EN 60350-2.

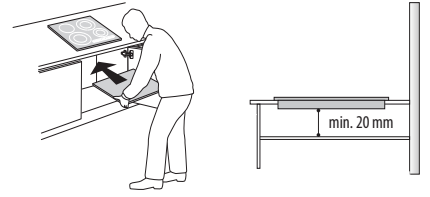


Points de collecte sur www.quefairedemesdechets.fr
Privilégiez la réparation ou le don de votre appareil !



INSTALLATION

- La table de cuisson doit être encastrée dans un plan de travail de 30 à 50 mm de profondeur.
- Rien ne doit encombrer l'espace entre la table de cuisson et le four (traverses, supports, etc.).
- Assurez-vous que le câble électrique est suffisamment long pour permettre une installation correcte.
- La distance entre la partie inférieure de la table de cuisson vitrocéramique et le meuble ou le panneau de séparation doit être d'au moins 20 mm.
- Pour des dimensions et une installation encastrées, consultez la photographie dans le présent paragraphe.
- Une distance minimale doit être maintenue entre la table de cuisson et la hotte au-dessus d'elle. Consultez le manuel de l'utilisateur de la hotte pour plus d'informations.
- Après avoir nettoyé la surface de la table de cuisson, installez le joint fourni autour de celle-ci (sauf s'il est déjà installé).
- **N'installez pas la table de cuisson à côté d'un lave-vaisselle ou d'un lave-linge, afin d'éviter que les circuits électriques ne soient endommagés par la vapeur ou la moisissure.**
- Si un four est installé sous la table de cuisson, assurez-vous qu'il est équipé d'un système de refroidissement. Si la température des circuits électroniques dépasse la température maximale autorisée, la table de cuisson s'éteindra automatiquement ; dans ce cas, laissez refroidir les circuits électriques pendant quelques minutes avant de rallumer la table de cuisson.

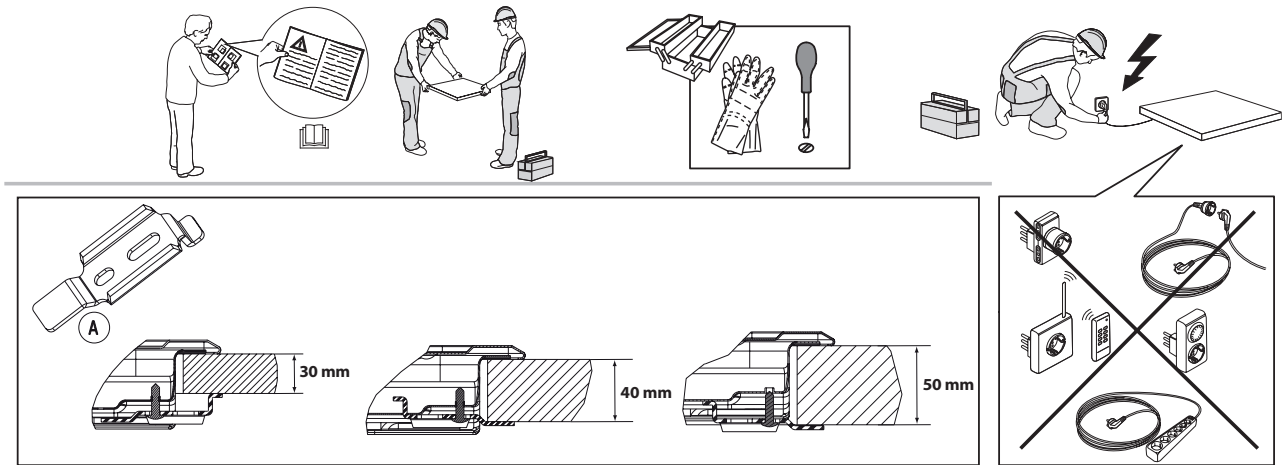


MISE EN PLACE DE LA TABLE DE CUISSON

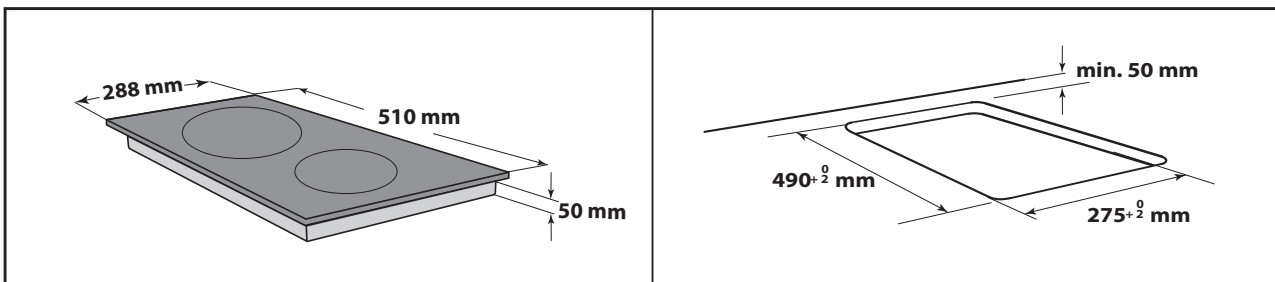
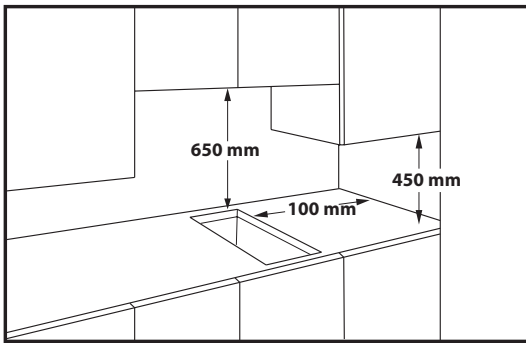
IMPORTANT: retirez le film protecteur avant d'installer la plaque.

Assurez-vous que l'ouverture du plan de travail a été découpée selon les dimensions du plan, en faisant attention à la plage de tolérances. La plaque ne doit pas être forcée dans le plan de travail. Toute pression pourrait provoquer une fissure de la plaque vitrocéramique (même beaucoup plus tard).

Si le dessus est en bois, utilisez les pinces à ressort et les vis fournis. Fixez les clips à ressort (A) à l'aide des vis fournies en respectant les distances indiquées. Insérez la table de cuisson dans le plan de travail.



DIMENSIONS ET DISTANCES A RESPECTER



DÉPOSE DE LA TABLE DE CUISSON :

Pour enlever la table de cuisson, débranchez-la de l'alimentation électrique. Il est fortement recommandé de libérer la partie située en dessous de tout four, tiroir, séparateur ou autre. Cela permet au technicien d'accéder à la partie inférieure de la table de cuisson pour défaire les quatre clips avec un tournevis, de lever la table de cuisson et de l'enlever, en évitant tout dommage au plan de travail.

BRANCHEMENT ÉLECTRIQUE

Le branchement électrique doit être réalisé avant de brancher l'appareil au réseau d'alimentation.

Le câble électrique n'est pas inclus dans l'emballage - rappelez-vous de préparer votre propre câble électrique.


L'installation doit être effectuée par un personnel qualifié qui connaît les réglementations actuelles relatives à la sécurité et à l'installation. En particulier, l'installation doit être réalisée conformément aux réglementations de la société locale de distribution d'électricité.

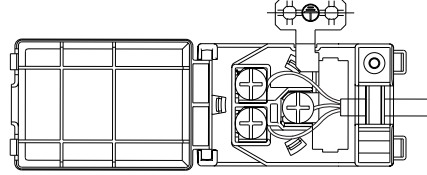
Assurez-vous que la tension spécifiée sur la plaque signalétique située au bas de l'appareil correspond à celle de votre logement.

La mise à la terre de l'appareil est obligatoire aux termes de la loi : utilisez uniquement des conducteurs (y compris le fil de terre) de section appropriée.

CONNEXION AU BORNIER


Pour le branchement électrique, utilisez un câble H05RR-F ou H05V2V2-F comme indiqué dans le tableau ci-dessous. .

TENSION D'ALIMENTATION	CONDUCTEURS NOMBRE X SECTION
220-240V ~ + 	3 x 1,5 mm ²



L'appareil doit être raccordé au secteur à l'aide d'un dispositif à coupure omnipolaire ayant une distance de 3 mm au moins entre les contacts.

IMPORTANT: Le cordon d'alimentation doit être suffisamment long pour que la table de cuisson puisse être retirée du plan de travail et doit être positionné de façon à écarter toute possibilité de dommage ou de surchauffe causée par un contact avec la base de l'appareil.

NOTE: le fil de terre jaune-vert doit être branché à la borne portant le symbole  et doit être plus long que les autres fils.

- Dénudez environ 70 mm de la gaine du cordon d'alimentation.
- Retirez environ 10 mm de la gaine des fils.
- Ouvrez le bornier en poussant les attaches latérales à l'aide d'un outil.
- Introduisez le câble dans le collier de serrage et connectez les fils au bornier
- Fermez le couvercle de la boîte des connexions.
- Après avoir terminé les branchements électriques, introduisez la table de cuisson par le haut et accrochez-la aux ressorts de support.



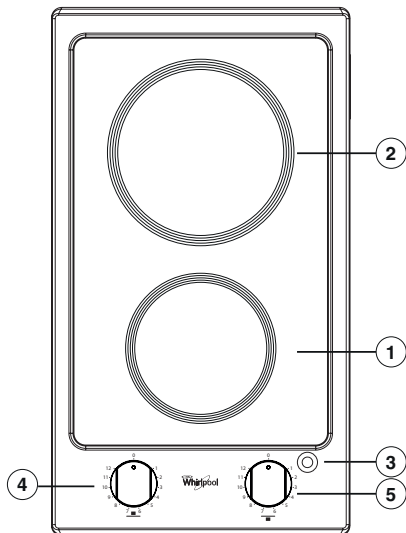
MERCI D'AVOIR CHOISI UN PRODUIT WHIRLPOOL
Afin de profiter d'une assistance plus complète, veuillez enregistrer votre produit sur www.whirlpool.eu/register.

VEUILLEZ SCANNER LE QR CODE SUR VOTRE APPAREIL POUR OBTENIR PLUS D'INFORMATIONS

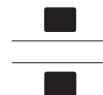


Lisez attentivement les consignes de sécurité avant d'utiliser l'appareil.

DESCRIPTION DU PRODUIT



1. Foyer radiant Ø 145
2. Foyer radiant Ø 180
3. Indicateur ON/OFF (Marche/Arrêt)
4. Bouton de commande du foyer arrière
5. Bouton de commande du foyer avant



PREMIÈRE UTILISATION

Avant toute utilisation:

- retirez les rubans adhésifs collés sur la table de cuisson;
- retirez les protections en carton et les pellicules de protection en plastique;

- contrôlez si la table de cuisson a été endommagée pendant le transport. En cas de doute, contactez le Service Après-Vente.

USAGE QUOTIDIEN

MISE EN MARCHÉ/ARRÊT DE LA TABLE DE CUISSON

Pour utiliser la table de cuisson, tournez le(s) bouton(s) dans le sens des aiguilles d'une montre jusqu'à la position souhaitée.

Pour mettre la table de cuisson hors tension, remettez le(s) bouton(s) sur la position "0".

IMPORTANT: Pour éviter d'endommager la table de cuisson de manière permanente :

- n'utilisez pas de récipients dont les fonds ne sont pas plats;
- n'utilisez pas de récipients métalliques avec un fond émaillé;
- ne placez pas de récipients/casseroles chaudes sur le panneau de commande.

TABLEAU DE CUISSON

BOUTON (1-12)	TYPE DE CUISSON
1 – 2	Pour faire fondre du beurre, du chocolat, etc.
2 – 3 – 4	Pour maintenir au chaud et réchauffer de petites quantités de liquide.
4 – 5 – 6	Réchauffer des quantités plus importantes, préparer des crèmes anglaises et des sauces.
6 – 7	Cuisson à feu doux, par exemple : pour cuire des légumes, des pâtes, des potages, poursuivre la cuisson à la vapeur de rôtis, de ragoûts.
7 – 8	Pour tous les aliments frits, les steaks, la cuisson sans couvercle, par exemple: risotto
8 – 9 – 10	Dorage de viandes, pommes de terre rôties, poissons frits et pour faire bouillir de grandes quantités d'eau.
11 – 12	Pour saisir, griller des steaks, etc.

NETTOYAGE ET ENTRETIEN

Débranchez l'appareil de l'alimentation électrique.

- N'utilisez pas d'appareil de nettoyage à vapeur.
- N'utilisez pas d'éponges abrasives ni de tampons à récurer car ils peuvent endommager le verre.
- Après chaque utilisation, laissez refroidir la table de cuisson et nettoyez-la de façon à éliminer les résidus d'aliments incrustés et les taches.

- Le sucre et les aliments très sucrés peuvent abîmer la table de cuisson et doivent être éliminés immédiatement.
- Le sel, le sucre et le sable peuvent rayer la surface en verre.
- Utilisez un chiffon doux, un essuie-tout, ou un nettoyant pour cuisinière pour nettoyer la table de cuisson (suivez les consignes du fabricant).
- Des déversements de liquide dans les zones de cuisson peuvent provoquer le déplacement ou la vibration des casseroles.
- Après le nettoyage de la table de cuisson, séchez-la soigneusement.

GUIDE DE DÉPANNAGE

En cas de mauvais fonctionnement de la table de cuisson, avant de contacter le Service Après-vente, consultez le chapitre Guide de dépannage afin d'identifier le problème.

- Il convient de lire et de suivre les instructions indiquées dans la section "Usage quotidien".
- Contrôlez que l'alimentation électrique n'a pas été coupée.
- Éteignez puis rallumez la table de cuisson pour vous assurer que le problème a été résolu.

- Assurez-vous que le bouton ne se trouve pas dans la position "0". Placez l'interrupteur multipolaire sur la position "Éteint" pendant quelques minutes, puis placez-le de nouveau sur la position "Allumé".
- La table de cuisson ne s'éteint pas: débranchez immédiatement l'appareil.

Si le problème persiste après ces vérifications, contactez votre Service Après-vente le plus proche.

SERVICE APRÈS-VENTE

Afin de profiter d'une assistance complète, veuillez enregistrer votre appareil sur www.whirlpool.eu/register.

AVANT D'APPELER LE SERVICE APRÈS-VENTE:

1. Vérifiez en premier lieu si vous pouvez remédier au problème à l'aide des suggestions de la section **GUIDE DE DÉPANNAGE**.
2. Éteignez puis rallumez l'appareil pour voir si le problème persiste.

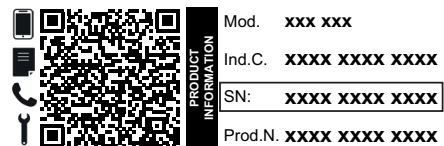
SI LE PROBLÈME PERSISTE TOUJOURS APRÈS LES VÉRIFICATIONS PRÉCÉDENTES, CONTACTER LE SERVICE APRÈS-VENTE LE PLUS PRÈS.

Pour obtenir du support, appeler le numéro disponible dans le livret de garantie ou suivez les consignes sur le site Web www.whirlpool.eu.

Lorsque vous contactez notre Service Après-vente, toujours préciser:

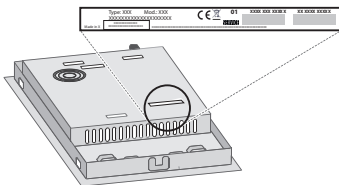
- une brève description du problème;
- le type et le modèle exact de l'appareil;

- le numéro de série (numéro après le mot SN sur la plaque signalétique située sous l'appareil). Le numéro de série est également indiqué dans la documentation;



- votre adresse complète ;
- votre numéro de téléphone.

Si des réparations sont nécessaires, contactez un service après-vente agréé (vous aurez ainsi la garantie que les pièces défectueuses seront remplacées par des pièces d'origine et que la réparation de votre appareil sera effectuée correctement).



Vous trouverez les politiques, la documentation standard et des informations supplémentaires sur le produit :

- En utilisant le QR Code dans votre appareil;
- En visitant notre site Internet docs.whirlpool.eu;
- Vous pouvez également **contacter notre service après-vente** (voir numéro de téléphone dans le livret de garantie). Lorsque vous contactez notre Service après-vente, veuillez indiquer les codes figurant sur la plaque signalétique de l'appareil.



Kompletní návod k obsluze si stáhněte na stránce <http://docs.whirlpool.eu> nebo zavolejte na telefonní číslo uvedené v záručním listě.

Před použitím spotřebiče si přečtěte tyto bezpečnostní pokyny. Uchovejte si je po ruce pro další použití.

V tomto návodu a na samotném spotřebiči jsou uvedena důležitá bezpečnostní upozornění, která je nutné si přečíst a řídit se jimi. Výrobce odmítá nést jakoukoli zodpovědnost za nedodržení těchto bezpečnostních pokynů, za nevhodné používání spotřebiče nebo za nesprávné nastavení ovladačů.

⚠ VÝSTRAŽNÉ UPOZORNĚNÍ: Pokud je povrch varné desky popraskaný, zařízení nepoužívejte. Riziko elektrického šoku!

⚠ VÝSTRAŽNÉ UPOZORNĚNÍ: Nebezpečí požáru: Neskladujte položky na varném povrchu.

⚠ UPOZORNĚNÍ: Proces vaření musí probíhat pod kontrolou. Krátké vaření musí být neustále monitorováno.

⚠ VÝSTRAŽNÉ UPOZORNĚNÍ: Vaření pokrmů s obsahem tuku nebo oleje bez dozoru na varné desce může být nebezpečné. Riziko požáru! NIKDY se nepokoušejte požár uhasit vodou: Namísto toho spotřebič vypněte a plamen přikryjte, např. poklicí nebo žáruvzdornou dekou.

⚠ Varnou desku nepoužívejte jako pracovní plochu nebo podstavec. Do blízkosti spotřebiče nepokládejte oděvy nebo jiné hořlavé materiály, dokud veškeré součásti zcela nevychladnou. Riziko požáru!

⚠ Velmi malé děti (0–3 roky) by se neměly ke spotřebiči přibližovat. Malé děti (3–8 let) by se neměly ke spotřebiči přibližovat, pokud nejsou pod dozorem. Děti starší 8 let a osoby s fyzickým, smyslovým či duševním postižením nebo bez patřičných zkušeností a znalostí mohou tento spotřebič používat pouze pod dohledem nebo tehdy, pokud obdržely informace o bezpečném použití spotřebiče a pokud rozumějí rizikům, která s používáním spotřebiče souvisejí. Nedovolte dětem, aby si se spotřebičem hrály. Nedovolte dětem, aby bez dohledu prováděly čištění a běžnou údržbu spotřebiče.

⚠ VÝSTRAŽNÉ UPOZORNĚNÍ: Spotřebič a jeho přístupné součásti se při použití zahřívají. Je třeba dbát opatrnosti, abyste se nedotkli topných těles. Děti mladší 8 let se nesmějí ke spotřebiči přibližovat, pokud nejsou pod dohledem dospělé osoby.

POVOLENÉ POUŽITÍ

⚠ UPOZORNĚNÍ: Tento spotřebič není určen k řízení pomocí externího zařízení, jako je např. časovač, nebo samostatného systému dálkového ovládání.

⚠ Tento spotřebič je určen k použití v domácnosti a podobných zařízeních jako: kuchyňské kouty pro zaměstnance v obchodech, kancelářích a na jiných pracovištích; farmy; klienty hotelů, motelů, penzionů a jiných ubytovacích zařízení.

⚠ Není přípustné používat jej jiným způsobem (např. k vytápění místnosti).

⚠ Tento spotřebič není určen pro profesionální použití. Nepoužívejte spotřebič venku.

INSTALACE

⚠ K přemístování a instalaci spotřebiče jsou nutné minimálně dvě osoby – nebezpečí zranění. Při rozbalování a instalaci používejte ochranné rukavice – nebezpečí pořezání.

⚠ Instalaci, včetně připojení přívodu vody (pokud nějaký existuje) a elektřiny, a opravy musí provádět kvalifikovaný technik. Neopravujte ani nevyměňujte žádnou část spotřebiče, pokud to není výslovně uvedeno v návodu k použití. Nedovolte dětem, aby se přibližovaly k místu instalace. Po vybalení spotřebiče se přesvědčte, že nebyl při dopravě poškozen. V případě problémů se obraťte se na svého prodejce nebo na nejbližší servisní středisko. Po instalaci musí být obalový materiál (plasty, polystyrenová pěna atd.) uložen mimo dosah dětí – nebezpečí udušení. Před zahájením instalace je nutné spotřebič odpojit od elektrické sítě – nebezpečí úrazu elektrickým proudem. Během instalace se ujistěte, že zařízení nepoškozuje napájecí kabel – nebezpečí požáru a úrazu elektrickým proudem. Zařízení nezapínejte, dokud nebyla řádně ukončena instalace.

⚠ Je-li nutné skříňku přirříznout, proveďte tyto práce ještě před zasunutím spotřebiče na místo a pečlivě odstraňte všechny dřevěné třísky a piliny.

⚠ Pokud není spotřebič nainstalován nad troubou, do umístění pod spotřebičem je třeba nainstalovat i oddělovací panel (není součástí).

DŮLEŽITÁ UPOZORNĚNÍ TÝKAJÍCÍ SE ELEKTRICKÉHO ZAPOJENÍ

⚠ V souladu s národními bezpečnostními normami týkajícími se elektrických zařízení musí být možné odpojit spotřebič od elektrické sítě vytažením zástrčky, pokud je zástrčka přístupná, nebo, v souladu s pravidly pro zapojování, prostřednictvím vícepólového vypínače umístěného před zásuvkou a spotřebič musí být uzemněn.

⚠ Nepoužívejte prodlužovací kabely, sdružené zásuvky nebo adaptéry. Po provedení montáže nesmí být elektrické prvky spotřebiče pro uživatele přístupné. Nepoužívejte spotřebič, pokud jste mokří nebo bosí. Tento spotřebič nezapínejte, pokud je poškozený napájecí síťový kabel či zástrčka, pokud nefunguje správně nebo byl poškozen či došlo k jeho pádu.

⚠ Instalace pomocí zástrčky napájecího kabelu není povolena, pokud produkt již není vybaven tou, kterou poskytuje výrobce.


⚠ Jestliže je poškozený přívodní kabel, za identický ho smí vyměnit pouze výrobce, servisní technik nebo osoba s podobnou příslušnou kvalifikací, jinak by mohlo dojít k úrazu – riziko elektrického šoku!

ČIŠTĚNÍ A ÚDRŽBA

⚠ **VÝSTRAŽNÉ UPOZORNĚNÍ:** Než zahájíte jakoukoli údržbovou operaci, ujistěte se, že je spotřebič vypnutý a odpojený od zdroje napájení; nikdy nepoužívejte parní čistič – riziko elektrického šoku!

⚠ Nepoužívejte abrazivní ani agresivní produkty, čisticí prostředky s obsahem chloru ani drátěnky.

LIKVIDACE OBALOVÉHO MATERIÁLU


Obal je ze 100% recyklovatelného materiálu a je označen recyklačním znakem .

Jednotlivé části obalového materiálu proto zlikvidujte odpovědně podle platných místních předpisů.

LIKVIDACE DOMÁCÍCH ELEKTROSPOTŘEBIČŮ

Tento spotřebič byl vyroben z recyklovatelných nebo opakovaně použitelných materiálů. Zlikvidujte jej podle místních předpisů pro likvidaci odpadu. Další informace o likvidaci, renovaci a recyklaci elektrických spotřebičů získáte na místním úřadě, v podniku pro sběr domácího odpadu nebo v obchodě, kde jste spotřebič zakoupili. Tento spotřebič je označen v souladu s evropskou směrnicí 2012/19/EU o odpadních elektrických a elektronických zařízeních (OEEZ) a nařízením o odpadních elektrických a elektronických zařízeních 2013 (včetně dodatků).

Zajištěním správné likvidace tohoto výrobku pomůžete zabránit negativním vlivům na životní prostředí a lidské zdraví.

Symbol  na výrobku nebo příslušných dokladech udává, že tento výrobek nesmí být likvidován společně s domácím odpadem, nýbrž je nutné jej odevzdat do příslušného sběrného střediska k recyklaci elektrických a elektronických zařízení.

RADY K ÚSPORĚ ELEKTRICKÉ ENERGIE

Vytěžte maximum i ze zbytkového tepla, a to tak, že ploténku vypnete několik minut před dokončením vaření.

Dno hrnce či pánve by mělo zakrývat celou plochu ploténky; při použití nádoby, jejíž dno je menší než ploténka, dochází k plýtvání energií.

Během vaření přikryvejte hrnce a pánve dobře těsnící pokličkou a použijte co nejméně vody. Vařením bez pokličky se citelně zvýší spotřeba energie.

Používejte pouze hrnce a pánve s plochým dnem.

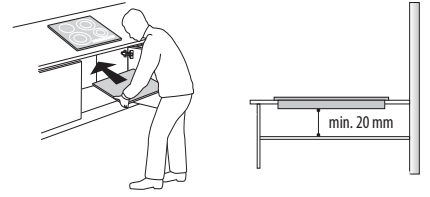
PROHLÁŠENÍ O SHODĚ

Tento spotřebič splňuje požadavky na ekodesign evropského nařízení 66/2014 a nařízení o ekodesignu výrobků spojených se spotřebou energie a informacích o energii (dodatek) (EU Exit) 2019 v souladu s evropskou normou EN 60350-2.



INSTALACE

- Varná deska musí být zasazena do pracovní desky hluboké alespoň 30 mm.
- Mezi varnou deskou a troubou se nesmí nacházet žádné jiné součásti (příčné lišty, svorky atd.).
- Ujistěte se, že je napájecí kabel dostatečně dlouhý, aby umožňoval pohodlnou instalaci.
- Vzdálenost mezi spodní plochou sklo-keramické varné desky a skříňkou či dělicím panelem musí být alespoň 20 mm.
- Informace o rozměrech pro vestavbu a instalaci naleznete na obrázku v tomto odstavci.
- Je třeba dodržet minimální vzdálenost mezi varnou deskou a nad ní se nacházející digestoří. Více informací získáte v příručce pro uživatele digestoře.
- Po očištění povrchu varnou desku opatříte dodaným těsněním (pokud již nebylo nasazeno).
- **Nikdy varnou desku neinstalujte do blízkosti myčky nádobí či pračky. Elektrické rozvody by v takovém případě mohly přijít do kontaktu s párou nebo vlhkostí a mohlo by je to poškodit.**
- Pokud je pod varnou deskou nainstalována trouba, ujistěte se, že je vybavena systémem chlazení. Pokud totiž teplota elektronických obvodů překročí maximální přípustnou teplotu, varná deska se automaticky vypíná; v takovém případě vyčkejte několik minut, dokud vnitřní teplota elektronických obvodů neklesne na přijatelnou úroveň a varnou desku bude možné opět zapnout.

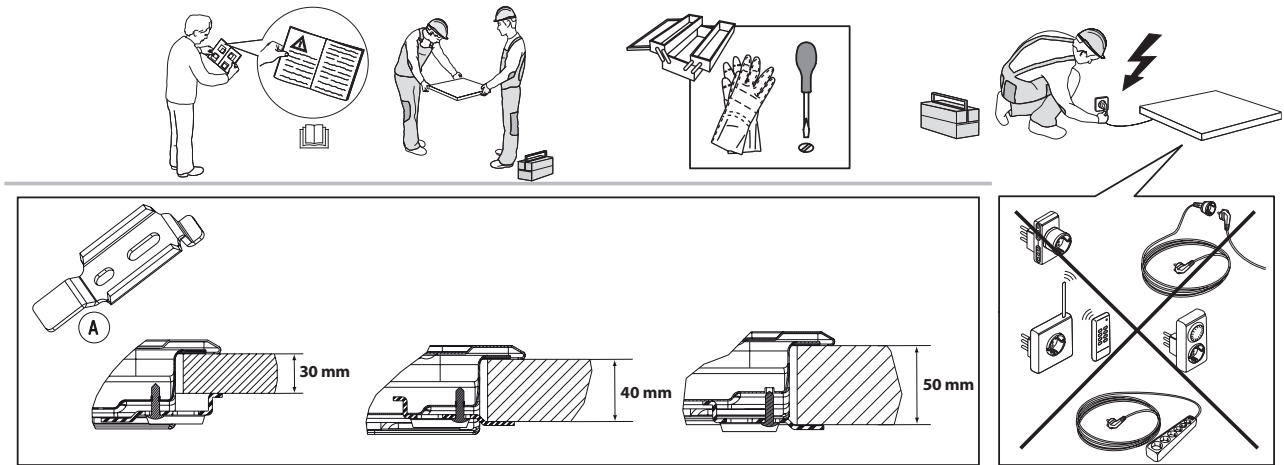


VESTAVBA VARNÉ DESKY

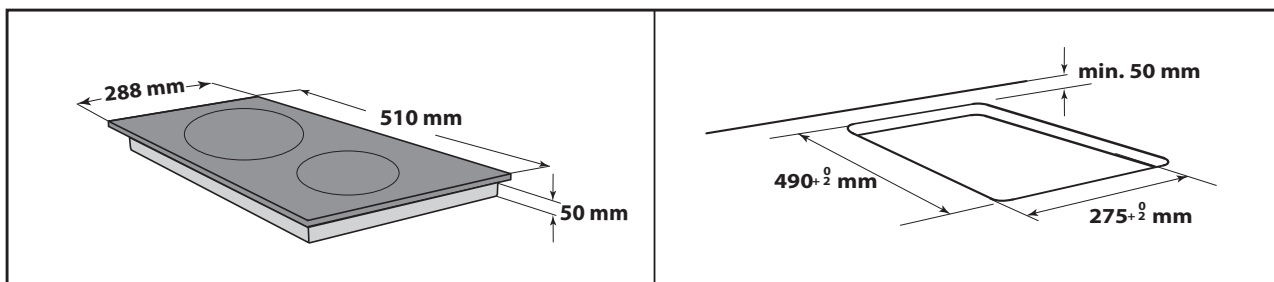
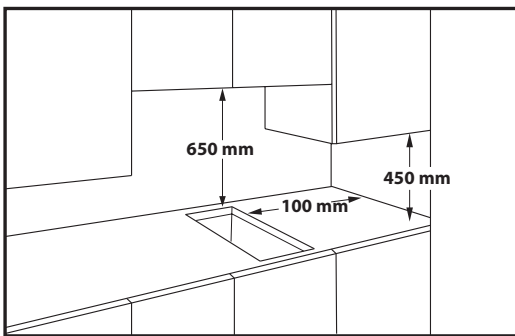
Důležité: Před instalací varné desky odstraňte ochrannou fólii.

Zkontrolujte, zda je otvor v pracovní desce pro varnou desku vyříznutý podle rozměru uvedených v nákresu s příslušnou tolerancí. Varná deska nesmí být do pracovní desky tlačena násilím. Sklo-keramický povrch může pod tlakem prasknout (dokonce i později)!

Pokud je pracovní plocha ze dřeva, použijte pružinové svorky a šroubky dodávané s deskou. Zajistěte pružinové svorky (A) pomocí dodaných šroubů a dávejte pozor na předepsané vzdálenosti. Vložte varnou desku do otvoru v pracovní desce.



ROZMĚRY A VZDÁLENOSTI, KTERÉ JE TŘEBA DODRŽET



DEMONTÁŽ VARNÉ DESKY:

Chcete-li varnou desku vyjmout, nejprve ji odpojte od elektrické sítě. Důrazně se doporučuje uvolnit spodní část z trouby, zásuvky, separátoru nebo jiného spotřebiče. Umožňuje technikovi přístup ke spodní části varné desky, aby mohl uvolnit čtyři spony pomocí šroubováku, zvedat varnou desku a vyjmout ji, čímž se zabrání jakémukoli poškození pracovní desky.

PŘIPOJENÍ K ELEKTRICKÉ SÍTI

Připojení k elektrické síti musí být provedeno ještě před připojením spotřebiče ke zdroji elektřiny.

Napájecí kabel není součástí balení - nezapomeňte si připravit vlastní napájecí kabel.


Instalaci musí provést kvalifikovaný pracovník obeznámený s platnými bezpečnostními předpisy a předpisy o elektrické instalaci. Instalace se musí provádět výslovně podle předpisů lokálního dodavatele elektrické energie.

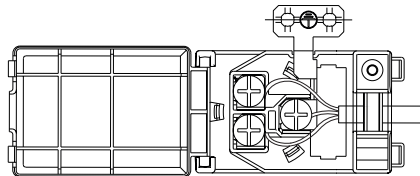
Zkontrolujte, zda údaj o napětí uvedený na typovém štítku na spodní straně spotřebiče odpovídá napětí v domácí síti.

Předpisy vyžadují, aby byl spotřebič uzemněn: použijte pouze vodiče (včetně zemnicího), které mají odpovídající délku.

PŘIPOJENÍ KE SVORKOVNICI

Pro připojení k elektrické síti použijte typ kabelu H05RR-F nebo H05V2V2-F podle níže uvedené tabulky.

NAPÁJECÍ NAPĚTÍ	VODIČE POČET x VELIKOST
220-240V ~ + 	3 x 1,5 mm ²



Spotřebič musí být ke zdroji el. napájení připojen pomocí všepólového odpojovacího zařízení s minimální vzdáleností mezi kontakty 3 mm.

POZOR: Napájecí kabel musí být dostatečně dlouhý, aby umožnil vyjmutí varné desky z pracovní desky, a musí být umístěn tak, aby nemohlo dojít k poškození nebo přehřátí způsobenému kontaktem se základnou.

POZNÁMKA: Žlutý/zelený zemnicí vodič musí být připojen k výstupu označenému symbolem  a musí být delší než ostatní vodiče.

- Sloupněte přibližně 70 mm vnějšího ochranného krytí kabelu.
- Poté sloupněte přibližně 10 mm vnitřního ochranného krytí.
- Pomocí nástroje otevřete svorkovnici, a to zatlačením bočních sponek směrem dovnitř.
- Vložte kabel do kabelové svorky a zapojte vodiče do svorkovnice.
- Uzavřete kryt svorkovnice.
- Po připojení k elektrické síti varnou desku shora nasadte ji připevněte k upevňovacím pružinám.



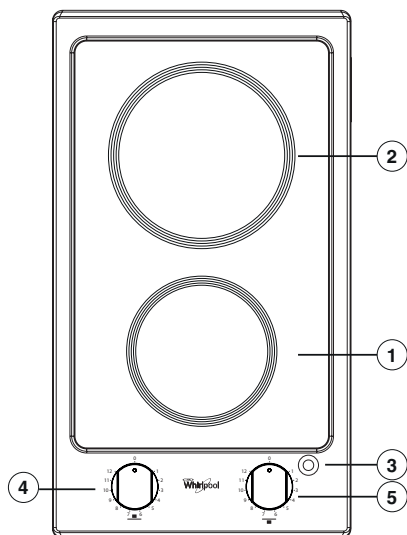
DĚKUJEME VÁM, ŽE JSTE SI ZAKOUPILI VÝROBEK
ZNAČKY WHIRLPOOL
Přejete-li si získat plnou podporu, zaregistrujte svůj
výrobek na www.whirlpool.eu/register.

ABYSTE ZÍSKALI VÍCE INFORMACÍ,
NASKENUJTE PROSÍM QR KÓD NA
VAŠEM SPOTŘEBIČI

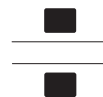


Před použitím spotřebiče si pečlivě přečtěte
bezpečnostní pokyny.

POPIS PRODUKTU



1. Radiantní varná zóna Ø 145
2. Radiantní varná zóna Ø 180
3. Kontrolka Zapnuto/Vypnuto
4. Ovladač zadní varné zóny
5. Ovladač přední varné zóny



PŘED PRVNÍM POUŽITÍM

Před použitím:

- odstraňte zbytky lepidel přilepených na varné desce,
- odstraňte kartónové chrániče a ochrannou fólii,

- a zkontrolujte, zda během přepravy nedošlo k poškození desky. Máte-li pochybnosti, obraťte se na servisní středisko

KAŽDODENNÍ POUŽÍVÁNÍ

ZAPNUTÍ/VYPNUTÍ VARNÉ DESKY

Chcete-li varnou desku použít, otočte ovladačem (či ovladači) ve směru chodu hodinových ručiček a nastavte jej (je) na požadovaný stupeň výkonu.

Varnou desku vypnete pootočením ovladače (ovladačů) do polohy „0“

DŮLEŽITÉ: Aby nedošlo k trvalému poškození varné desky:

- nepoužívejte nádoby, které nemají ploché dno,
- nepoužívejte kovové hrnce se smaltovaným dnem,
- na ovládací panel nepokládejte horké hrnce/pánve.

TABULKA PEČENÍ

OVLADAČ (1–12)	ZPŮSOB VAŘENÍ
1 – 2	Rozpouštění másla, čokolády apod.
2 – 3 – 4	Udržení teploty jídla a ohřívání malého množství tekutin.
4 – 5 – 6	Ohřev větších množství, příprava pudingů a omáček.
6 – 7	Mírné vaření, např. vařená zelenina, špagety, polévky, dušené maso, maso se zeleninou.
7 – 8	Pro všechna smažená jídla, kotlety, steaky, vaření bez pokličky, např. rizoto.
8 – 9 – 10	Zhnědnutí masa, pečené brambory, smažená ryba a k vaření velkého objemu vody.
11 – 12	K rychlému osmahnutí, opékání steaků apod.

ČIŠTĚNÍ A ÚDRŽBA

Odpojte spotřebič od elektrické sítě.

- Nepoužívejte parní čistič.
- K čištění nepoužívejte hrubé houbičky ani drátěnky, protože ty mohou poškodit sklo.
- Po každém použití varnou desku vyčistěte (po zchladnutí), aby se odstranily usazeniny a skvrny od zbytků pokrmů.

- Cukr nebo potraviny s vysokým obsahem cukru mohou poškodit varnou desku a je nutné je ihned odstranit.
- Sůl, cukr a písek mohou poškrábat skleněný povrch desky.
- K čištění desky používejte jemný hadřík, absorpční kuchyňské utěrky nebo speciální čisticí pomůcky na varnou desku (respektujte pokyny výrobce).
- Rozlitá tekutina ve varných zónách může být příčinou pohybu nebo vibrací hrnců.
- Po vyčištění varnou desku důkladně vysušte.

ODSTRAŇOVÁNÍ ZÁVAD

Pokud varná deska nepracuje správně, před kontaktováním servisního střediska se pokuste určit příčinu problému podle následujících pokynů.

- Přečtěte si a dodržujte pokyny uvedené v části "Každodenní používání".
- Zkontrolujte, zda nedošlo k výpadku proudu.
- Varnou desku vypněte a opět zapněte, abyste si ověřili, zda se tím problém nevyřeší.
- Ujistěte se, že je ovladač nastaven na hodnotu "0".

- Otočte vícepólový spínač na pár minut do polohy "Vypnuto" (OFF) a následně jej vraťte zpět do polohy "Zapnuto" (ON).
- Varnou desku nelze vypnout: desku okamžitě odpojte od elektrické sítě.

Jestliže problém přetrvává i po provedení výše uvedených kroků, kontaktujte nejbližší servisní středisko.

SERVISNÍ STŘEDISKO

Přejete-li si získat plnou podporu, zaregistrujte svůj výrobek na www.whirlpool.eu/register.

NEŽ ZAVOLÁTE DO SERVISNÍHO STŘEDISKA POPRODEJNÍCH SLUŽEB:

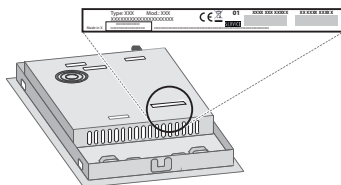
1. Ověřte si, zda nemůžete problém vyřešit sami pomocí doporučení popsanych v oddílu **ODSTRAŇOVÁNÍ ZÁVAD**.
2. Vypněte spotřebič a opět ho zapněte, abyste zjistili, zda porucha stále trvá.

JESTLIŽE PORUCHA PŘETRVÁVÁ I PO PROVEDENÍ VÝŠE UVEDENÝCH KROKŮ, ZAVOLEJTE DO NEJBLIŽŠÍHO SERVISNÍHO STŘEDISKA.

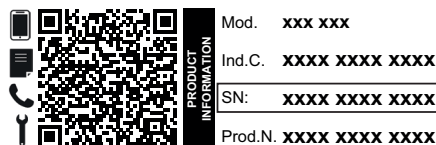
Pro asistenční služby volejte na číslo uvedené v záruční knížce nebo postupujte podle pokynů na webových stránkách www.whirlpool.eu.

Pokud se obracíte na náš zákaznický poprodejní servis, vždy upřesněte:

- stručný popis poruchy;
- přesný typ a model spotřebiče;



- sériové číslo (číslo za slovem SN na typovém štítku pod spotřebičem). Sériové číslo je rovněž uvedeno v dokumentaci;



- svou úplnou adresu;
- své telefonní číslo.

Jestliže je nutná oprava, obraťte se na autorizované servisní středisko, abyste měli jistotu, že budou použity originální náhradní díly a oprava bude provedena správně).

Zásady, standardní dokumentaci a další informace o výrobku naleznete:

- Načtením QR kódu ve vašem spotřebiči;
- Při navštívení naší webové stránky docs.whirlpool.eu;
- Případně **kontaktujte náš poprodejní servis** (telefonní číslo naleznete v záručním listě). Při kontaktování našeho poprodejního servisu prosím uveďte kódy na identifikačním štítku produktu.



BEZPEČNOSTNÉ POKYNY

DÔLEŽITÉ! PREČÍTAJTE SI A DODRŽIAVAJTE

Kompletný návod si môžete stiahnuť na <http://docs.whirlpool.eu> alebo zavolať na telefónne číslo uvedené v záručnej knižke.

Pred použitím spotrebiča si starostlivo prečítajte tieto bezpečnostné pokyny. Odložte si ich, aby boli k dispozícii pre budúce použitie.

V týchto pokynoch a na samotnom spotrebiči sú uvedené dôležité upozornenia týkajúce sa bezpečnosti, ktoré treba vždy dodržiavať. Výrobca odmieta zodpovednosť v prípade nedodržania týchto bezpečnostných pokynov, nenáležitého používania spotrebiča alebo nesprávneho nastavenia ovládania.

⚠ **POZOR!** Ak je varný panel puknutý, spotrebič nepoužívajte – nebezpečenstvo zásahu elektrickým prúdom.

⚠ **POZOR!** Nebezpečenstvo požiaru: neskladujte predmety na varných povrchoch.

⚠ **UPOZORNENIE:** Pri varení musí byť spotrebič pod dohľadom. Pri krátkodobom varení musí byť spotrebič pod nepretržitým dohľadom.

⚠ **POZOR!** Varenie na tuku alebo oleji bez dozoru môže predstavovať nebezpečenstvo a môže mať za následok vznik požiaru. NIKDY sa nepokúšajte uhasiť oheň vodou! Namiesto toho spotrebič vypnite a potom plameň zakryte, napríklad pokrievkou alebo požiarnym rúškom.

⚠ Nepoužívajte varnú dosku ako pracovnú alebo odkladaciu plochu. Oblečenie a iné horľavé materiály uchovávajte mimo spotrebiča, kým všetky komponenty úplne nevychladnú – hrozí nebezpečenstvo vzniku požiaru.

⚠ Veľmi malé deti (0 – 3 roky) by sa nemali zdržiavať v okolí spotrebiča. Malé deti (3 – 8 roky) by sa nemali zdržiavať v okolí spotrebiča, pokiaľ nie sú pod stálym dohľadom. Deti od 8 rokov a osoby so zníženými fyzickými, zmyslovými a mentálnymi schopnosťami alebo s nedostatkom skúseností a znalostí môžu používať tento spotrebič len v prípade, ak sú pod dozorom alebo dostali pokyny týkajúce sa používania spotrebiča bezpečným spôsobom a chápu hroziace nebezpečenstvo. Deti sa so spotrebičom nesmú hrať. Čistenie a používateľskú údržbu nesmú vykonávať deti bez dozoru.

⚠ **POZOR!** Spotrebič a jeho prístupné časti sa počas používania zahrievajú. Dávajte pozor, aby ste sa nedotkli ohrevných článkov. Nedovoľte, aby sa deti mladšie ako 8 rokov priblížili k rúre, pokiaľ nie sú nepretržite pod dozorom.

POVOLENÉ POUŽÍVANIE

⚠ **UPOZORNENIE:** spotrebič nie je určený na ovládanie externým vypínačom, ako je časovač alebo samostatný systém diaľkového ovládania.

⚠ Tento spotrebič je určený na použitie v domácnosti alebo na podobné účely ako napr.: v oblastiach

kuchyniek pre personál v dielňach, kanceláriách a iných pracovných prostrediach; na farmách; pre hostí v hoteloch, motelloch alebo iných ubytovacích zariadeniach.

⚠ Nie je povolené používať ho na iné účely (napr. vykurovanie miestností).

⚠ Tento spotrebič nie je určený na profesionálne používanie. Spotrebič nepoužívajte vonku.

INŠTALÁCIA

⚠ So spotrebičom musia manipulovať a inštalovať ho minimálne dve osoby – riziko zranenia. Pri vybalovaní a inštalovaní používajte ochranné rukavice – riziko porezania.

⚠ Inštaláciu, vrátane prívodu vody (ak je) a elektrického zapojenia a taktiež opravy musí vykonávať kvalifikovaný technik. Nikdy neopravujte ani nevymieňajte žiadnu časť spotrebiča, ak to nie je výslovne uvedené v návode na používanie. Nepúšťajte deti k miestu inštalácie. Po vybalení spotrebiča sa uistite, že sa počas prepravy nepoškodil. V prípade problémov sa obráťte na predajcu alebo popredajný servis. Po inštalácii uložte odpad z balenia (plastové a polystyrénové časti a pod.) mimo dosahu detí – nebezpečenstvo udusenía. Pred vykonávaním inštalačných prác musíte spotrebič odpojiť od elektrického napájania – nebezpečenstvo zásahu elektrickým prúdom. Počas inštalácie dávajte pozor, aby ste spotrebičom nepoškodili napájací kábel – nebezpečenstvo požiaru alebo zásahu elektrickým prúdom. Spotrebič zapnite až po úplnom dokončení inštalácie.

⚠ Pred vsadením spotrebiča do skrinky urobte všetky potrebné výrezy a z otvoru odstráňte odrezky a piliny.

⚠ Ak spotrebič nie je inštalovaný nad rúrou, je potrebné do priehradky pod spotrebičom nainštalovať oddeľovací panel (nie je priložený).

VAROVANIA PRI POUŽÍVANÍ ELEKTRICKÉHO SPOTREBIČA

⚠ Spotrebič sa musí dať odpojiť od napájania buď vytiahnutím zástrčky, pokiaľ je ľahko dostupná, alebo prostredníctvom prístupného viacpólového prepínača nainštalovaného pred zásuvkou a spotrebič musí byť uzemnený v súlade s národnými bezpečnostnými normami pre elektrotechniku.


⚠ Nepoužívajte predlžovacie káble, rozdvojky ani adaptéry. Po inštalácii spotrebiča nesmú byť jeho elektrické časti prístupné používateľom. Nepoužívajte spotrebič, ak ste mokří alebo bosí. Spotrebič nepoužívajte, ak má poškodený napájací kábel alebo zástrčku, ak nefunguje správne, či ak bol poškodený alebo spadol.


⚠ Inštalácia použitím zástrčky napájacieho kábla nie je povolená, pokiaľ výrobok nemá už takúto výbavu dodanú výrobcom.

⚠ Ak je poškodený napájací elektrický kábel, musí ho vymeniť výrobca, jeho autorizovaný servis alebo


podobne kvalifikovaná osoba, aby sa predišlo nebezpečenstvu zásahu elektrickým prúdom.

ČISTENIE A ÚDRŽBA

 **POZOR!** Pred vykonávaním údržby dbajte, aby bol spotrebič vypnutý alebo odpojený od elektrického napájania; nikdy nepoužívajte zariadenie na čistenie parou – nebezpečenstvo zásahu elektrickým prúdom.

 Nepoužívajte abrazívne alebo korozívne prostriedky, čističe s obsahom chlóru alebo drôtenky na panvice.

LIKVIDÁCIA OBALOVÉHO MATERIÁLU


Obalové materiály sa môžu na 100 % recyklovať a sú označené symbolom recyklácie .

Rôzne časti obalu likvidujte zodpovedne, v úplnom súlade s platnými predpismi miestnych orgánov, ktorými sa riadi likvidácia odpadov.

LIKVIDÁCIA DOMÁCICH SPOTREBIČOV

Tento spotrebič je vyrobený z recyklovateľných a znovu použiteľných materiálov. Zlikvidujte ho v súlade s miestnymi predpismi o likvidácii odpadov. Podrobnejšie informácie o zaobchádzaní, obnove a recyklácii domácich spotrebičov dostanete na príslušnom miestnom úrade, v zberných strediskách alebo v obchode, kde ste spotrebič kúpili. Tento spotrebič je označený v súlade so smernicou Európskeho parlamentu a Rady 2012/19/EÚ o odpade z elektrických a elektronických zariadení (OEEZ) a s predpismi o odpade z elektrických a elektronických zariadení z r. 2013 (v platnom znení).

Zabezpečením správnej likvidácie výrobku pomôžete predchádzať potenciálnym negatívnym dopadom na životné prostredie a ľudské zdravie.

Symbol  na spotrebiči alebo na sprievodných dokumentoch znamená, že s týmto výrobkom sa nesmie zaobchádzať ako s domácim odpadom, ale je potrebné odovzdať ho v zbernom dvore pre elektrické a elektronické zariadenia.

RADY NA ÚSPORU ELEKTRICKEJ ENERGIE

Horúcu platňu vypnite zopár minút pred dokončením varenia, čím maximálne využijete zvyškové teplo.

Dno hrnca alebo panvice by malo horúcu platňu celkom zakrývať; pri používaní nádoby menšej, než je horúca platňa, sa plytvá energiou.

Hrnce a panvice prikryvajte priliehajúcimi pokrievkami a používajte čo najmenej vody. Varenie bez pokrievky značne zvýši spotrebu energie.

Používajte iba panvice a hrnce s rovným dnom.

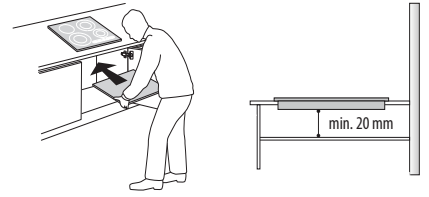
VYHLÁSENIE O ZHODE

Tento spotrebič spĺňa požiadavky nariadenia Komisie (EÚ) 66/2014 na ekodizajn a predpisy z roku 2019 o ekodizajne energeticky významných výrobkov a energetických informáciách (dodatok) (výstup z EÚ) v súlade s európskou normou EN 60350-2.



INŠTALÁCIA

- Varná doska musí byť vsadená do pracovného pultu v hĺbke 30 mm až 50 mm.
- Medzi varnou doskou a rúrou nesmie byť nič (pričnicky, konzoly a pod.).
- Uistite sa, že napájací kábel je dostatočne dlhý, aby umožnil pohodlnú inštaláciu.
- Vzdialenosť medzi spodnou stranou sklo-keramickej varnej dosky a skrinkou alebo deliacim panelom musí byť najmenej 20 mm.
- Rozmery pre zabudovanie a inštaláciu nájdete na obrázku v tomto odseku.
- Je potrebné dodržať minimálnu vzdialenosť medzi varnou doskou a digestorom nad ňou. Viac informácií nájdete v návode na používanie digestora.
- Po vyčistení povrchu varnej dosky nasadte priložené tesnenie (pokiaľ ešte nie je nasadené).
- **Neinštalujte varnú dosku do blízkosti umývačky riadu alebo práčky, aby sa elektronické obvody nedostali do kontaktu s parou alebo vlhkosťou, ktoré ich môžu poškodiť.**
- Ak je pod varnou doskou nainštalovaná rúra, presvedčte sa, či je vybavená chladiacim systémom. Ak teplota elektrických obvodov presahuje maximálnu povolenú teplotu, varná doska sa automaticky vypne. V takom prípade počkajte zopár minút, kým vnútorná teplota elektrických obvodov dosiahne prípustnú úroveň, a vtedy bude možné varnú dosku znova zapnúť.

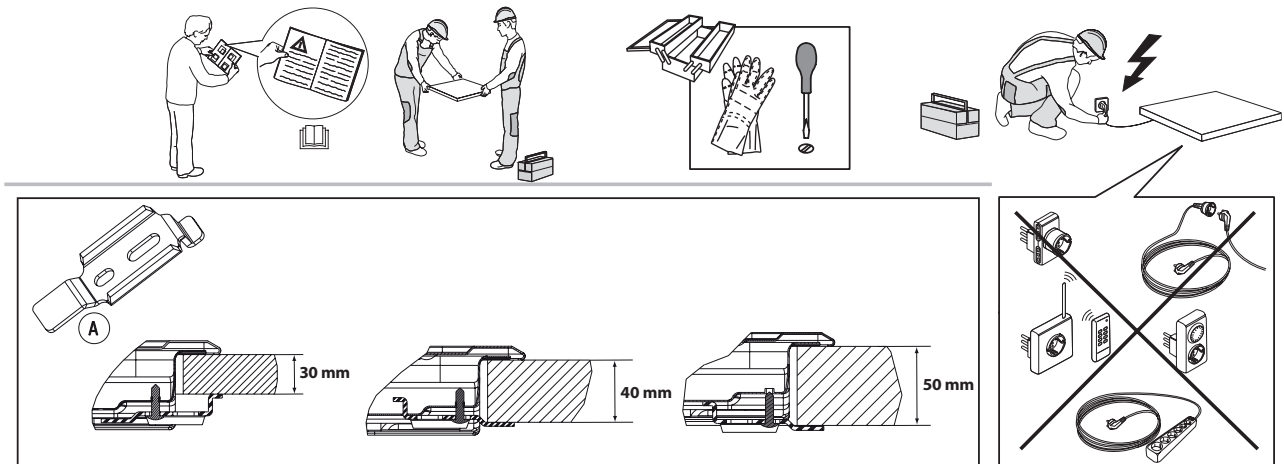


UMIESTNENIE VARNEJ DOSKY

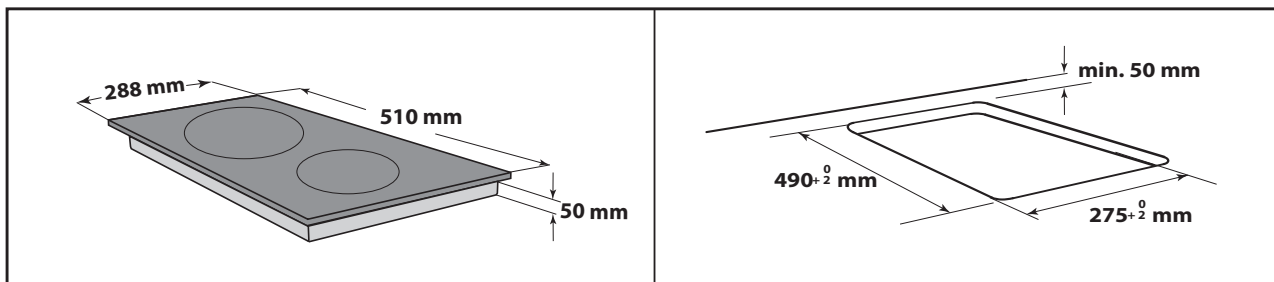
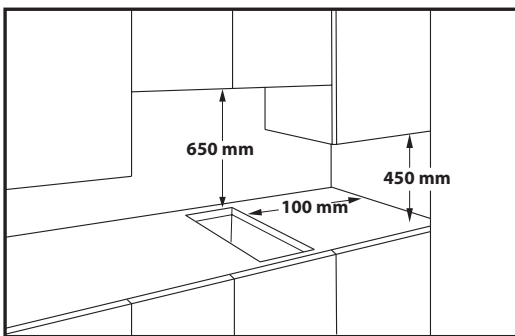
Dôležité: Pred inštaláciou varnej dosky odstráňte ochranný film.

Skontrolujte, či je otvor na inštaláciu v pracovnej doske vyrezaný v súlade s rozmermi podľa obrázku, vrátane tolerancií. Varná doska by sa do pracovného podkladu nemala vsádzať silou. Násilné vsádzanie môže spôsobiť, že sklo-keramický povrch praskne (dokonca aj po určitom čase)!

Ak je pracovná doska vyrobená z dreva, použite priložené pružinové svorky a skrutky. Pripevnite pružinové svorky (A) priloženými skrutkami a dodržujte pritom určené vzdialenosti. Varnú dosku zasuňte do pracovného podkladu.



ROZMERY A VZDIALENOSTI, KTORÉ TREBA DODRŽIAVAŤ



DEMONTÁŽ VARNEJ DOSKY:

Ak chcete varnú dosku vybrať, najskôr ju odpojte od elektrickej siete. Dôrazne sa odporúča uvoľniť spodnú časť od rúry, zásuvky, separátora alebo iného komponentu. Umožňuje to technikovi prístup k spodnej časti varnej dosky, aby pomocou skrutkovača uvoľnil štyri spony, zdvihol varnú dosku a vybral ju, čím sa zabráni poškodeniu pracovnej dosky.

ZAPOJENIE DO ELEKTRICKEJ SIETE

Elektrické pripojenie sa musí vyhotoviť už pred pripojením spotrebiča k zdroju napájania.

Napájací kábel nie je súčasťou balenia - nezabudnite si pripraviť vlastný napájací kábel.


Inštaláciu musí vykonať kvalifikovaný personál, ktorý pozná aktuálne bezpečnostné a inštalčné predpisy. Inštaláciu treba vykonať v súlade s predpismi miestneho dodávateľa elektriny.

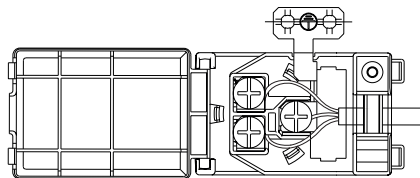
Uistite sa, že je napätie špecifikované na údajovom štítku na spodnej strane zariadenia rovnaké ako napätie vo vašom dome.

Podľa platných predpisov je uzemnenie spotrebiča povinné. Použite iba vodiče príslušnej veľkosti (vrátane uzemňovacieho vodiča).

PRIPOJENIE K SVORKOVNICI


Pri elektrickom zapojení použite kábel typu H05RR-F alebo H05V2V2-F, podľa údajov v tabuľke nižšie.

NAPÁJACIE NAPÄTIE	VODIČE POČET x VEĽKOSŤ
220-240V ~ + 	3 x 1,5 mm ²



Spotrebič musí byť pripojený k zdroju napájania prostredníctvom viacpólového spínača s minimálnou vzdialenosťou medzi kontaktmi 3 mm.

UPOZORNENIE: napájací kábel musí byť dosť dlhý, aby sa dala varná doska vybrať z pracovnej dosky, a treba ho uložiť tak, aby nedošlo k poškodeniu alebo prehriatiu spôsobenému dotykom so základňou.

POZNÁMKA: žltó-zelený vodič uzemnenia sa musí pripojiť k svorke so symbolom  a musí byť dlhší než ostatné vodiče.

- Stiahnite pribl. 70 mm izolácie z napájacieho kábla.
- Odizolujte pribl. 10 mm izolácie z vodičov.
- Otvorte svorkovnicu zatlačením bočných úchytiak s pomocou nástroja.
- Zasuňte kábel do príchytky a pripojte žily kábla k svorkovnici.
- Zatvorte kryt svorkovnice.
- Po dokončení elektrického zapojenia namontujte varný panel zhora a zavesťte ho na upevňovacie pružiny.



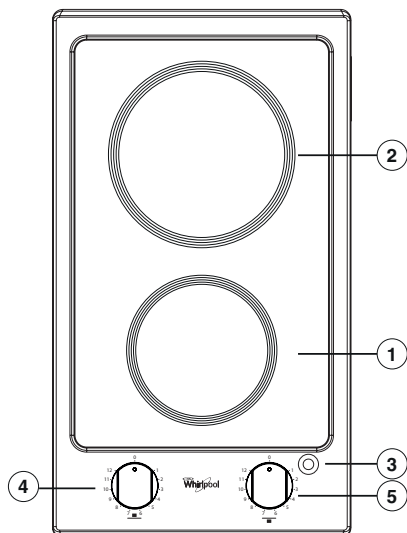
ĎAKUJEME, ŽE STE SI KÚPILI VÝROBOK WHIRLPOOL
Aby sme vám mohli lepšie poskytovať pomoc,
zaregistrujte svoj spotrebič na www.whirlpool.eu/register.

**VIAC INFORMÁCIÍ ZÍSKATE,
AK OSKENUJETE QR KÓD NA
VAŠOM SPOTREBIČI**



**Prv než spotrebič začnete používať, pozorne si
prečítajte Bezpečnostné pokyny.**

OPIS SPOTREBIČA



1. Vyžarujúca varná zóna Ø 145
2. Vyžarujúca varná zóna Ø 180
3. Kontrolka vypínača ON/OFF
4. Gombík ovládania zadnej varnej zóny
5. Gombík ovládania prednej varnej zóny



PRVÉ POUŽITIE

Pred použitím:

- odstráňte prvky prilepené na varnej doske,
- odstráňte lepenkové ochranné prvky a ochranný plastový film,

- skontrolujte, či sa varná doska pri preprave nepoškodila. V prípade pochybností sa obráťte na oddelenie popredajných služieb.

KAŽDODENNÉ POUŽÍVANIE

ZAPNUTIE/VYPNUTIE VARNEJ DOSKY

Varný panel sa uvádza do činnosti otočením gombíka (gombíkov) doprava do polohy želaného výkonu.

Aby ste varnú plochu vypli, vráťte ovládací gombík (gombíky) do polohy "0".

DÔLEŽITÉ: Aby nedošlo k trvalému poškodeniu varnej dosky:

- nepoužívajte nádoby, ktorých dno nie je úplne ploché;
- nepoužívajte kovové nádoby s e-mailovým dnom;
- nekladte horúce hrnce/panvice na ovládací panel.

TABUĽKA NA VARENIE

OVLÁDAČ (1–12)	DRUH VARENIA
1 – 2	Rozpustenie masla, čokolády a pod.
2 – 3 – 4	Udržiavanie teploty jedál a ohrev malých množstiev kvapalín.
4 – 5 – 6	Zohrievanie veľkého množstva, príprava pudingov a omáčok.
6 – 7	Slabé vrenie, napríklad: varená zelenina, špagety, polievky, dusené mäso, guláš.
7 – 8	Na všetky smažené jedlá, rezne, bifteky, varenie bez pokrievky, napríklad: rizoto.
8 – 9 – 10	Pečenie mäsa so zhnednutou kôrkou, pečené zemiaky, smažené ryby a varenie veľkých množstiev vody.
11 – 12	Prudké osmaženie, pečenie steakov na grilovacej panvici a pod.

ČISTENIE A ÚDRŽBA

Odpojte rúru od elektrického napájania.

- Nepoužívajte čistiace zariadenia využívajúce paru.
- Nepoužívajte abrazívne čistiace špongie ani drôtenky, lebo by mohli poškodiť sklo.
- Po každom použití vyčistite varný panel (keď je vychladnutý), aby ste odstránili všetky usadeniny a škvry spôsobené zvyškami jedla.
- Cukor alebo potraviny s vysokým obsahom cukru môžu varný panel poškodiť, a preto ich treba ihneď odstrániť.

- Soľ, cukor a piesok by mohli poškríbať sklenený povrch.
- Používajte mäkkú utierku, absorpčné papierové kuchynské utierky alebo špeciálne výrobky určené na čistenie varného panela (dodržiavajte pokyny výrobcu).
- Vyliate tekutiny môžu na varných zónach spôsobiť pohyby alebo vibrovanie hrncov.
- Po čistení povrch varného panela dôkladne osušte.

RIEŠENIE PROBLÉMOV

Ak by varný panel nefungoval správne, predtým, ako zavoláte servis, skúste problém vyriešiť pomocou príručky na odstraňovanie problémov.

- Prečítajte si a dodržujte pokyny uvedené v časti "Každodenné používanie".
- Skontrolujte, či nedošlo k prerušeniu dodávky elektriny.
- Varnú dosku vypnite a znova zapnite a uistite sa, že problém bol odstránený.
- Skontrolujte, či gombík nie je otočený do polohy "0".

Multipólový spínač na niekoľko minút prepnite do polohy "Off" (Vyp.) a potom späť do polohy "On" (Zap.).

- Varná doska sa nevypne: varnú dosku okamžite odpojte od zdroja napájania.

Ak po horeuvedených kontrolách porucha pretrváva, zavolajte najbližšie servisné stredisko.

POPREDAJNÝ SERVIS

Aby sme vám mohli lepšie poskytovať pomoc, zaregistrujte, prosím, svoj spotrebič na www.whirlpool.eu/register.

PREDTÝM, NEŽ ZAVOLÁTE POPREDAJNÝ SERVIS:

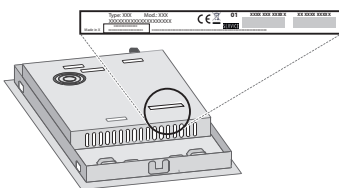
1. Zistite, či nedokážete problém vyriešiť sami s pomocou návrhov riešení uvedených v časti **RIEŠENIE PROBLÉMOV**.
2. Spotrebič vypnite a opäť zapnite, aby ste skontrolovali, či chyba pretrváva.

AK PO KONTROLÁCH UVEDENÝCH VYŠŠIE PORUCHA NAĎALEJ PRETRVÁVA, SPOJTE SA S NAJBLIŽŠÍM AUTORIZOVANÝM SERVISNÝM STREDISKOM.

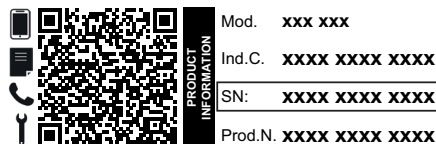
Ak potrebujete pomoc, volajte na číslo uvedené v záručnej knižke alebo postupujte podľa pokynov na webovej stránke www.whirlpool.eu.

Pri kontaktovaní nášho zákaznickeho popredajného servisu vždy uveďte:

- stručný opis poruchy;
- presný typ a model spotrebiča;



- výrobné číslo (číslo uvedené po slove SN na výkonnostnom štítku pod spotrebičom). Výrobné číslo je uvedené aj v dokumentácii;



- vašu úplnú adresu;
- vaše telefónne číslo.

Ak je nevyhnutné spotrebič opraviť, obráťte sa na autorizované servisné stredisko (zaručí sa tým použitie originálnych náhradných dielov a správny postup pri oprave).

Zásady, štandardnú dokumentáciu a ďalšie informácie o výrobku nájdete:

- Použitie QR kódu vo vašom spotrebiči;
- Na našej webovej stránke docs.whirlpool.eu;
- Prípadne **sa obráťte na náš popredajný servis** (telefónne číslo nájdete v záručnej knižke). Pri kontaktovaní nášho popredajného servisu uveďte, prosím, kódy z výrobného štítku vášho spotrebiča.



ΟΔΗΓΙΕΣ ΓΙΑ ΤΗΝ ΑΣΦΑΛΕΙΑ

ΣΗΜΑΝΤΙΚΟ! ΔΙΑΒΑΣΤΕ ΚΑΙ ΤΗΡΕΙΤΕ

Κατεβάστε το πλήρες εγχειρίδιο οδηγιών από την ιστοσελίδα <http://docs.whirlpool.eu> ή καλέστε τον αριθμό που υπάρχει στο βιβλιαράκι εγγύησης.

Πριν χρησιμοποιήσετε τη συσκευή, διαβάστε αυτές τις οδηγίες για την ασφάλεια. Φυλάξτε τις οδηγίες σε κοντινό σημείο για μελλοντική αναφορά.

Αυτές οι οδηγίες και η συσκευή περιλαμβάνουν σημαντικές προειδοποιήσεις σχετικά με την ασφάλεια, τις οποίες πρέπει να τηρείτε σε κάθε περίπτωση. Ο κατασκευαστής δεν φέρει καμία ευθύνη για τη μη τήρηση αυτών των οδηγιών ασφαλείας, για ακατάλληλη χρήση της συσκευής ή λανθασμένη ρύθμιση των χειριστηρίων.

⚠ ΠΡΟΕΙΔΟΠΟΙΗΣΗ: Αν η επιφάνεια της εστίας είναι ραγισμένη, μην χρησιμοποιείτε τη συσκευή - κίνδυνος ηλεκτροπληξίας.

⚠ ΠΡΟΕΙΔΟΠΟΙΗΣΗ: Κίνδυνος πυρκαγιάς: μην αποθηκεύετε στοιχεία στις επιφάνειες μαγειρέματος.

⚠ ΠΡΟΣΟΧΗ: Η διαδικασία μαγειρέματος πρέπει να παρακολουθείται. Μια σύντομη διαδικασία μαγειρέματος πρέπει να παρακολουθείται συνεχώς.

⚠ ΠΡΟΕΙΔΟΠΟΙΗΣΗ: Είναι επικίνδυνο να μαγειρεύετε με λίπη ή λάδι σε εστία χωρίς επιτήρηση - κίνδυνος πυρκαγιάς. ΠΟΤΕ μην προσπαθείτε να σβήσετε τη φωτιά με νερό: αντίθετα, σβήστε τη συσκευή και στη συνέχεια καλύψτε τις φλόγες π.χ. με ένα καπάκι ή με μια πυρίμαχη κουβέρτα.

⚠ Μην χρησιμοποιείτε τη μονάδα εστιών ως επιφάνεια εργασίας. Διατηρείται τα ρούχα ή άλλα εύφλεκτα υλικά μακριά από τη συσκευή, έως ότου όλα τα εξαρτήματα να έχουν κρυώσει εντελώς - κίνδυνος πυρκαγιάς.

⚠ Κρατήστε τα μικρά παιδιά (0-3 ετών) μακριά από τη συσκευή. Κρατήστε τα μικρά παιδιά (3-8 ετών) μακριά από τη συσκευή εκτός εάν επιτηρούνται διαρκώς. Η συσκευή μπορεί να χρησιμοποιηθεί από παιδιά ηλικίας 8 ετών και άνω ή άτομα με μειωμένες σωματικές, αισθητηριακές ή διανοητικές ικανότητες ή με έλλειψη εμπειρίας και γνώσης της συσκευής, εφόσον βρίσκονται υπό επιτήρηση ή έχουν λάβει οδηγίες σχετικά με την ασφαλή χρήση της συσκευής και κατανοούν τους κινδύνους που συνεπάγεται. Τα παιδιά απαγορεύεται να παίζουν με τη συσκευή. Εργασίες καθαρισμού και συντήρησης του χρήστη δεν πρέπει να εκτελούνται από παιδιά χωρίς επιτήρηση.

⚠ ΠΡΟΕΙΔΟΠΟΙΗΣΗ: Η συσκευή και τα προσβάσιμα εξαρτήματά της μπορεί να ζεσταθούν κατά τη διάρκεια της χρήσης. Πρέπει να είστε προσεκτικοί, ώστε να αποφεύγετε τυχόν επαφή με τα θερμαντικά στοιχεία. Τα παιδιά κάτω των 8 ετών δεν πρέπει να πλησιάζουν τη συσκευή, εκτός εάν επιτηρούνται διαρκώς.

ΕΠΙΤΡΕΠΟΜΕΝΗ ΧΡΗΣΗ

⚠ ΠΡΟΣΟΧΗ: Η συσκευή δεν προορίζεται για χρήση σε συνδυασμό με εξωτερικό χρονοδιακόπτη ή ξεχωριστό σύστημα απομακρυσμένου ελέγχου.

⚠ Η συσκευή αυτή έχει σχεδιαστεί για οικιακή χρήση καθώς και για παρόμοιες χρήσεις όπως: κουζίνες προσωπικού σε καταστήματα, γραφεία και άλλους χώρους εργασίας, αγροκτήματα, από πελάτες σε ξενοδοχεία, μοτέλ, bed & breakfast και άλλους χώρους κατοικίας.

⚠ Απαγορεύεται οποιαδήποτε άλλη χρήση (π.χ. θέρμανση δωματίων).

⚠ Αυτή η συσκευή δεν προορίζεται για επαγγελματική χρήση. Μην χρησιμοποιείτε τη συσκευή σε εξωτερικό χώρο.

ΕΓΚΑΤΑΣΤΑΣΗ

⚠ Ο χειρισμός και η εγκατάσταση της συσκευής πρέπει να γίνονται από δύο ή περισσότερα άτομα - κίνδυνος τραυματισμού. Χρησιμοποιείτε γάντια προστασίας για να αφαιρέσετε τη συσκευασία και να κάνετε την εγκατάσταση - κίνδυνος κοψίματος.

⚠ Η εγκατάσταση, συμπεριλαμβανομένης της παροχής νερού (εάν υπάρχει), τις ηλεκτρικές συνδέσεις και τις επισκευές, πρέπει να πραγματοποιούνται από τεχνικά εξειδικευμένο προσωπικό. Μην επισκευάζετε και μην αντικαθιστάτε κανένα εξάρτημα της συσκευής, εκτός εάν αναφέρεται ρητά στο εγχειρίδιο χρήσης. Κρατήστε τα παιδιά μακριά από το χώρο εγκατάστασης. Μετά από την αποσυσκευασία της συσκευής, βεβαιωθείτε ότι δεν έχει προκληθεί ζημιά σε αυτήν κατά τη μεταφορά. Εάν παρουσιαστεί κάποιο πρόβλημα, επικοινωνήστε με τον αντιπρόσωπο ή με το πλησιέστερο Κέντρο Τεχνικής Υποστήριξης. Μετά την εγκατάσταση, τα υλικά συσκευασίας (πλαστικά, φελιζόλ, κ.λπ.) πρέπει να φυλάσσονται μακριά από τα παιδιά - κίνδυνος ασφυξίας. Η συσκευή πρέπει να αποσυνδέεται από την ηλεκτρική τροφοδοσία πριν από κάθε εργασία εγκατάστασης - κίνδυνος ηλεκτροπληξίας. Κατά την εγκατάσταση, βεβαιωθείτε ότι δεν έχει προκληθεί ζημιά στο καλώδιο τροφοδοσίας από τη συσκευή - κίνδυνος πυρκαγιάς ή ηλεκτροπληξίας. Ενεργοποιήστε τη συσκευή μόνο εφόσον ολοκληρωθεί η εγκατάσταση.

⚠ Εκτελέστε όλες τις εργασίες κοπής πριν τοποθετήσετε το φούρνο στο έπιπλο και αφαιρέστε όλα τα ροκανίδια και τα πριονίδια.

⚠ Αν η συσκευή δεν εγκατασταθεί πάνω σε ένα φούρνο, πρέπει να τοποθετηθεί ένα διαχωριστικό πάνελ (δεν περιλαμβάνεται) στο χώρο κάτω από τη συσκευή.

ΗΛΕΚΤΡΙΚΕΣ ΠΡΟΕΙΔΟΠΟΙΗΣΕΙΣ

⚠ Πρέπει να είναι δυνατή η αποσύνδεση της συσκευής από την ηλεκτρική τροφοδοσία με αφαίρεση του φικ εάν η πρίζα είναι προσβάσιμη ή με χρήση του

πολυπολικού διακόπτη που έχει εγκατασταθεί πριν από την πρίζα σύμφωνα με τα εθνικά πρότυπα ηλεκτρικής ασφάλειας και η συσκευή πρέπει να διαθέτει γείωση με βάση τα εθνικά πρότυπα ασφαλείας.

⚠ Μην χρησιμοποιείτε καλώδια προέκτασης (μπαλαντέζες), πολύπριζα ή προσαρμογείς. Μετά την ολοκλήρωση της εγκατάστασης, δεν πρέπει να είναι δυνατή η πρόσβαση στα ηλεκτρικά εξαρτήματα. Μην χρησιμοποιείτε τη συσκευή όταν είστε βρεγμένος ή με γυμνά πόδια. Μην χρησιμοποιήσετε τη συσκευή εάν έχει φθαρεί το ηλεκτρικό καλώδιο ή το φις, εάν δεν λειτουργεί κανονικά, εάν έχει πέσει ή εάν έχει υποστεί άλλη ζημιά.

⚠ Δεν επιτρέπεται η εγκατάσταση με βύσμα καλωδίου τροφοδοσίας, εκτός εάν το προϊόν είναι ήδη εξοπλισμένο με αυτό που παρέχεται από τον κατασκευαστή.


⚠ Εάν το καλώδιο τροφοδοσίας έχει υποστεί ζημιά, πρέπει να αντικατασταθεί από τον κατασκευαστή, τον αντιπρόσωπο τεχνικής υποστήριξης ή άλλα καταρτισμένα άτομα, ώστε να αποφευχθούν τυχόν κίνδυνοι - κίνδυνος ηλεκτροπληξίας.

ΣΥΝΤΗΡΗΣΗ ΚΑΙ ΚΑΘΑΡΙΣΜΟΣ

⚠ ΠΡΟΕΙΔΟΠΟΙΗΣΗ: Πριν από οποιαδήποτε εργασία συντήρησης, βεβαιωθείτε ότι η συσκευή είναι σβηστή και αποσυνδεδεμένη από το δίκτυο τροφοδοσίας. Ποτέ μην χρησιμοποιείτε συσκευές καθαρισμού με ατμό - κίνδυνος ηλεκτροπληξίας.

⚠ Μην χρησιμοποιείτε αποξεστικά ή διαβρωτικά προϊόντα, καθαριστικά με βάση τη χλωρίνη ή συρμάτινα σφουγγαράκια.

ΑΠΟΡΡΙΨΗ ΥΛΙΚΩΝ ΣΥΣΚΕΥΑΣΙΑΣ


Τα υλικά της συσκευασίας είναι 100% ανακυκλώσιμα και φέρουν το σύμβολο της ανακύκλωσης .

Συνεπώς, τα διάφορα υλικά συσκευασίας πρέπει να απορρίπτονται υπεύθυνα και με πλήρη συμμόρφωση των κανονισμών των τοπικών αρχών που διέπουν την απόρριψη απορριμμάτων.

ΑΠΟΡΡΙΨΗ ΗΛΕΚΤΡΙΚΩΝ ΟΙΚΙΑΚΩΝ ΣΥΣΚΕΥΩΝ

Η συσκευή αυτή έχει κατασκευαστεί από ανακυκλώσιμα ή επαναχρησιμοποιήσιμα υλικά. Απορρίψτε σύμφωνα με τους τοπικούς κανονισμούς περί απόρριψης των απορριμμάτων. Για περαιτέρω πληροφορίες σχετικά με την επεξεργασία, την ανάκτηση και την ανακύκλωση των ηλεκτρικών οικιακών συσκευών, επικοινωνήστε με τις αρμόδιες τοπικές αρχές, την υπηρεσία συλλογής οικιακών αποβλήτων ή το κατάστημα από όπου αγοράσατε αυτό το προϊόν. Αυτή η συσκευή επισημαίνεται σύμφωνα με την Ευρωπαϊκή Οδηγία 2012/19/ΕΕ, Απόβλητα Ηλεκτρικού και Ηλεκτρονικού Εξοπλισμού (ΑΗΗΕ) και με τους κανονισμούς 2013 για τα Απόβλητα Ηλεκτρικού και Ηλεκτρονικού Εξοπλισμού (όπως τροποποιήθηκε).

Εξασφαλίζοντας τη σωστή απόρριψη αυτού του προϊόντος, θα βοηθήσετε στην αποτροπή των πιθανών βλαβερών συνεπειών για το περιβάλλον και την ανθρώπινη υγεία.

Το σύμβολο  στο προϊόν ή στα συνοδευτικά έντυπα υποδεικνύει ότι πρέπει να αντιμετωπίζεται ως οικιακό απόρριμμα αλλά πρέπει να μεταφέρετε στο κατάλληλο κέντρο συλλογής για ανακύκλωση ηλεκτρονικού και ηλεκτρικού εξοπλισμού.

ΣΥΜΒΟΥΛΕΣ ΓΙΑ ΕΞΟΙΚΟΝΟΜΗΣΗ ΕΝΕΡΓΕΙΑΣ

Αξιοποιήστε στο έπακρο την υπολειπόμενη θερμότητα της ζεστής εστίας σβήνοντάς την μερικά λεπτά πριν ολοκληρωθεί το μαγείρεμα.

Η βάση της κατσαρόλας ή του τηγανιού πρέπει να καλύπτει εντελώς τη ζεστή εστία. Ένα μικρότερο δοχείο από την εστία προκαλεί άσκοπη απώλεια ενέργειας.

Σκεπάζετε τις κατσαρόλες και τα τηγάνια σας κατά το μαγείρεμα με καπάκια σφιχτής εφαρμογής και χρησιμοποιείτε όσο λιγότερο νερό μπορείτε. Το μαγείρεμα χωρίς καπάκι αυξάνει σε μεγάλο βαθμό την κατανάλωση ενέργειας.

Χρησιμοποιείτε μόνο κατσαρόλες και τηγάνια με επίπεδη βάση.

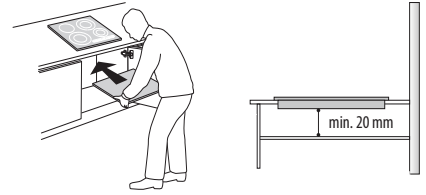
ΔΗΛΩΣΗ ΣΥΜΜΟΡΦΩΣΗΣ

Η συσκευή αυτή πληροί τις απαιτήσεις οικολογικού σχεδιασμού του Ευρωπαϊκού κανονισμού 66/2014 και τον οικολογικό σχεδιασμό για σχετικά με την ενέργεια προϊόντα και ενεργειακές πληροφορίες (Τροποποίηση) (ΕΕ Exit) Κανονισμοί 2019, σύμφωνα με το Ευρωπαϊκό πρότυπο EN 60350-2.



ΕΓΚΑΤΑΣΤΑΣΗ

- Η μονάδα εστιών πρέπει να τοποθετηθεί σε πάγκο πάχους 30 mm έως 50 mm.
- Δεν πρέπει να υπάρχει τίποτα ανάμεσα στην επιφάνεια ψησίματος και του φούρνου (διασταυρωμένες ράγες, βραχιόνες κ.λπ.).
- Βεβαιωθείτε ότι το καλώδιο τροφοδοσίας είναι αρκετά μακρύ για εύκολη εγκατάσταση.
- Η απόσταση μεταξύ της κάτω επιφάνειας της γυάλινης κεραμικής εστίας και του ντουλαπιού ή το διαχωριστικό πάνελ πρέπει να είναι τουλάχιστον 20 mm.
- Για τις διαστάσεις ενσωμάτωσης και την εγκατάσταση, δείτε την εικόνα στην παρούσα παράγραφο.
- Πρέπει να διατηρείται μια ελάχιστη απόσταση μεταξύ της εστίας και του απορροφητήρα που βρίσκεται από πάνω. Ανατρέξτε στο εγχειρίδιο χρήσης του απορροφητήρα για περισσότερες πληροφορίες.
- Εφαρμόστε το παρεχόμενο παρέμβυσμα στην μονάδα εστιών (εκτός εάν έχει ήδη τοποθετηθεί), αφού καθαρίσετε την επιφάνεια.
- **Μην τοποθετείτε την μονάδα εστιών κοντά σε πλυντήριο πιάτων ή στο πλυντήριο ρούχων, έτσι ώστε τα ηλεκτρονικά κυκλώματα να μην έρχονται σε επαφή με ατμό ή υγρασία, κάτι που θα μπορούσε να προκαλέσει ζημιά σε αυτά.**
- Αν ένας φούρνος είναι εγκατεστημένος κάτω από την μονάδα εστιών, βεβαιωθείτε ότι είναι εξοπλισμένος με σύστημα ψύξης. Εάν η θερμοκρασία των ηλεκτρονικών κυκλωμάτων υπερβαίνει τη μέγιστη επιτρεπόμενη θερμοκρασία, η μονάδα εστιών θα απενεργοποιηθεί αυτόματα. Σε αυτή την περίπτωση, περιμένετε λίγα λεπτά έως ότου η εσωτερική θερμοκρασία των ηλεκτρονικών κυκλωμάτων να φτάσει σε ένα αποδεκτό επίπεδο, στο οποίο θα είναι δυνατό να ανάψετε ξανά τη μονάδα εστιών.

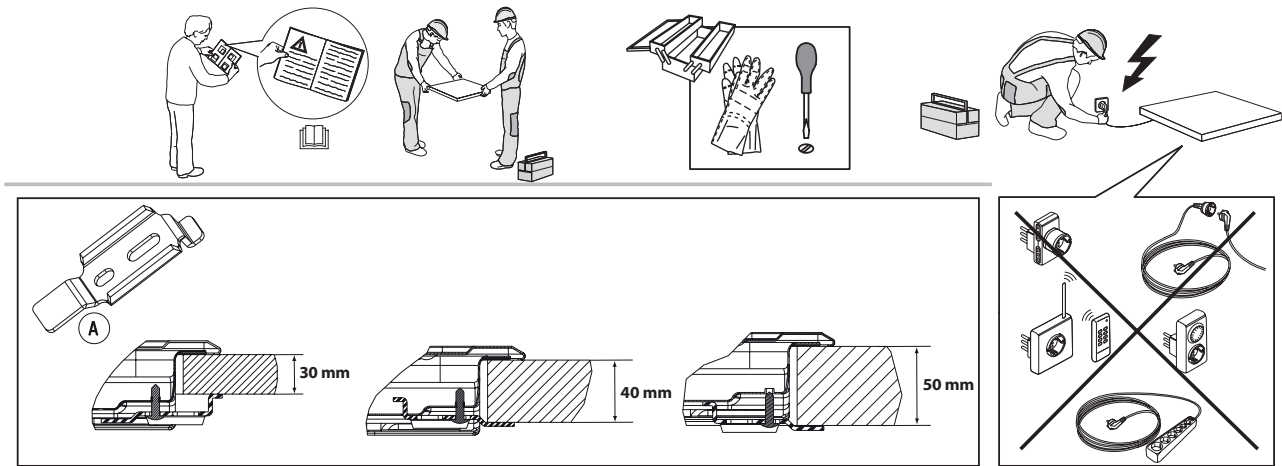


ΤΟΠΟΘΕΤΗΣΗ ΤΗΣ ΜΟΝΑΔΑΣ ΕΣΤΙΩΝ

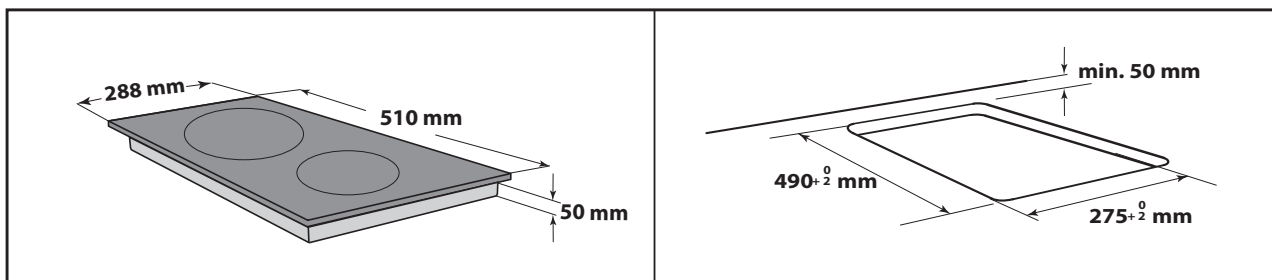
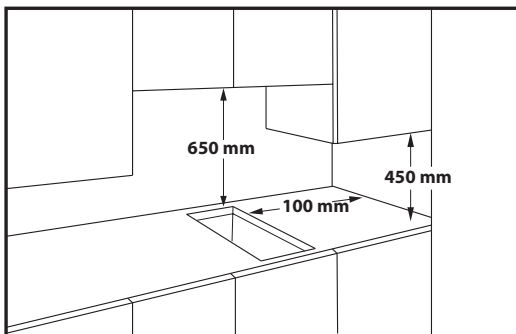
Σημαντικό: αφαιρέστε την προστατευτική μεμβράνη πριν εγκαταστήσετε την εστία.

Βεβαιωθείτε ότι το άνοιγμα στον πάγκο έχει κοπεί σύμφωνα με τις διαστάσεις που δίνονται στο σχέδιο, προσέχοντας το εύρος των ανοχών. Η εστία δεν πρέπει να ζοριστεί για να εφαρμόσει στον πάγκο. Εάν ζορίσετε την κεραμική εστία μπορεί να προκληθούν ρωγμές (ακόμη και αργότερα)!

Αν ο πάγκος εργασίας είναι κατασκευασμένος από ξύλο, χρησιμοποιήστε τα ελατήρια και τις βίδες που παρέχονται. Ασφαλίστε τα κλιπ (A) με τις παρεχόμενες βίδες, με προσοχή στις υποδεικνυόμενες αποστάσεις. Τοποθετήστε τις εστίες στον πάγκο.



ΔΙΑΣΤΑΣΕΙΣ ΚΑΙ ΑΠΟΣΤΑΣΕΙΣ ΠΟΥ ΠΡΕΠΕΙ ΝΑ ΤΗΡΟΥΝΤΑΙ



ΑΦΑΙΡΕΣΗ ΤΗΣ ΕΣΤΙΑΣ:

Για να αφαιρέσετε την εστία, πρώτα αποσυνδέστε την από την παροχή ρεύματος. Συνιστάται ανεπιφύλακτα να ελευθερώσετε το κάτω μέρος από το φούρνο, το συρτάρι, το διαχωριστικό ή άλλο. Επιτρέπεται στον τεχνικό να έχει πρόσβαση στο κάτω μέρος της εστίας για να ξεσφίξει τα τέσσερα κλιπ με ένα κατσαβίδι, να σηκώσει την εστία και να την αφαιρέσει, αποφεύγοντας οποιαδήποτε ζημιά στον πάγκο εργασίας.

ΗΛΕΚΤΡΙΚΗ ΣΥΝΔΕΣΗ

Πριν συνδέσετε τη συσκευή στην τροφοδοσία ρεύματος, πρέπει να γίνει η ηλεκτρική σύνδεση.

Το καλώδιο τροφοδοσίας δεν περιλαμβάνεται στη συσκευασία - θυμηθείτε να προετοιμάσετε το δικό σας καλώδιο τροφοδοσίας.

Η εγκατάσταση πρέπει να πραγματοποιηθεί από εξειδικευμένο προσωπικό που γνωρίζει τους τρέχοντες κανονισμούς ασφαλείας και εγκατάστασης.


Συγκεκριμένα, η εγκατάσταση πρέπει να πραγματοποιείται σύμφωνα με τους κανονισμούς της τοπικής εταιρείας παροχής ηλεκτρικής ενέργειας.

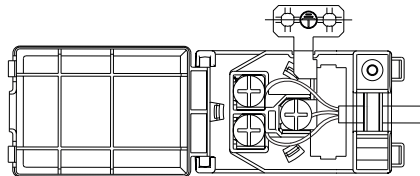
Βεβαιωθείτε ότι η τάση που καθορίζεται στην πινακίδα στοιχείων στο κάτω μέρος της συσκευής είναι η ίδια με την οικιακή.

Οι κανονισμοί απαιτούν τη γείωση της συσκευής: χρησιμοποιήστε καλώδια (συμπεριλαμβανομένου του καλωδίου γείωσης) κατάλληλου μεγέθους μόνο.

ΣΥΝΔΕΣΗ ΣΤΟΝ ΠΙΝΑΚΑ ΑΚΡΟΔΕΚΤΩΝ

Για ηλεκτρική σύνδεση, χρησιμοποιήστε ένα καλώδιο H05RR-F ή H05V2V2-F όπως καθορίζεται στον παρακάτω πίνακα.

ΤΑΣΗ ΠΑΡΟΧΗΣ	ΑΓΩΓΟΙ ΠΟΣΟΤΗΤΑ x ΜΕΓΕΘΟΣ
220-240V ~ + 	3 x 1,5 mm ²



Η συσκευή πρέπει να συνδεθεί στην τροφοδοσία ρεύματος μέσω ενός πολυπολικού διακόπτη αποσύνδεσης με ελάχιστο διάστημα επαφής 3 mm.

ΠΡΟΣΟΧΗ: Το καλώδιο τροφοδοσίας πρέπει να είναι αρκετά μακρύ ώστε να επιτρέπεται η αφαίρεση της μονάδας εστιών από τον πάγκο και πρέπει να τοποθετείται έτσι ώστε να αποφεύγεται η πρόκληση ζημιάς ή η υπερθέρμανση που προκαλείται από την επαφή με τη βάση.

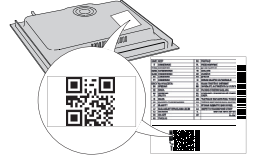
ΣΗΜΕΙΩΣΗ: Το κίτρινο/πράσινο καλώδιο γείωσης πρέπει να συνδεθεί στο τερματικό με το σύμβολο  και πρέπει να είναι μεγαλύτερο από τα άλλα καλώδια.

- Βγάλτε περίπου 70 mm από το περίβλημα του καλωδίου τροφοδοσίας.
- Απογυμνώστε περίπου 10 mm από τα καλώδια.
- Ανοίξτε το τερματικό πλαίσιο πιέζοντας τα πλευρικά κλιπ προς τα μέσα με τη βοήθεια ενός εργαλείου.
- Εισαγάγετε το καλώδιο στο σφιγκτήρα καλωδίου και συνδέστε τα σύρματα στην πλακέτα ακροδεκτών.
- Κλείστε το κάλυμμα του τερματικού πλαισίου.
- Μετά την ηλεκτρική σύνδεση, τοποθετήστε τη μονάδα εστιών από το πάνω μέρος και στερεώστε την στα ελατήρια στήριξης.

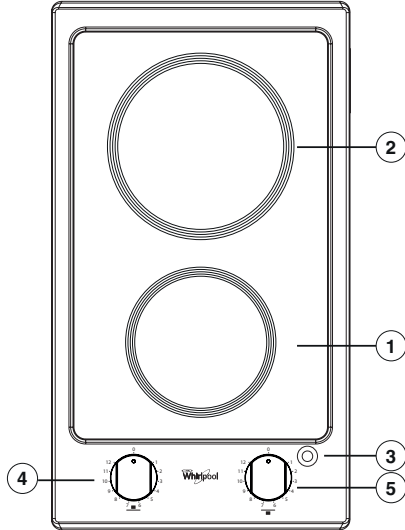
**ΣΑΣ ΕΥΧΑΡΙΣΤΟΥΜΕ ΠΟΥ ΑΓΟΡΑΣΑΤΕ ΕΝΑ ΠΡΟΪΟΝ WHIRLPOOL**

Για να λάβετε πλήρη τεχνική υποστήριξη, παρακαλούμε να καταχωρίσετε τη συσκευή σας στην ιστοσελίδα www.whirlpool.eu/register.

ΣΑΡΩΣΤΕ ΤΟΝ ΚΩΔΙΚΟ QR ΣΤΗ ΣΥΣΚΕΥΗ ΣΑΣ ΓΙΑ ΠΕΡΙΣΣΟΤΕΡΕΣ ΠΛΗΡΟΦΟΡΙΕΣ



Διαβάστε τις οδηγίες για την ασφάλεια προσεκτικά πριν χρησιμοποιήσετε τη συσκευή.

ΠΕΡΙΓΡΑΦΗ ΠΡΟΪΟΝΤΟΣ

1. Ζώνη μαγειρέματος διά ακτινοβολίας Ø 145
2. Ζώνη μαγειρέματος διά ακτινοβολίας Ø 180
3. Ενδεικτική λυχνία ON/OFF (ενεργοποίηση/ απενεργοποίηση)
4. Διακόπτης ελέγχου πίσω ζώνης
5. Διακόπτης ελέγχου μπροστινής ζώνης

ΠΡΩΤΗ ΧΡΗΣΗ

Πριν από τη χρήση:

- αφαιρέστε συγκολλητικά που έχουν κολλήσει στις εστίες
- αφαιρέστε χαρτονένια προστατευτικά και πλαστική μεμβράνη

- ελέγξτε αν η εστία υπέστη κάποια βλάβη κατά τη μεταφορά. Εάν έχετε αμφιβολία, επικοινωνήστε με το σέρβις.

ΚΑΘΗΜΕΡΙΝΗ ΧΡΗΣΗ**ΕΝΕΡΓΟΠΟΙΗΣΗ/ΑΠΕΝΕΡΓΟΠΟΙΗΣΗ ΜΟΝΑΔΑΣ ΕΣΤΙΩΝ**

Για να χρησιμοποιήσετε την εστία γυρίστε το διακόπτη (τους διακόπτες) δεξιόστροφα στην επιθυμητή ρύθμιση ισχύος.

Για να σβήσετε την εστία γυρίστε το διακόπτη (ες) στη θέση "0".

ΣΗΜΑΝΤΙΚΟ: Για να αποφύγετε μόνιμη βλάβη των εστιών:

- Μην χρησιμοποιείτε σκεύη με βάση που δεν είναι εντελώς επίπεδη;
- Μην χρησιμοποιείτε μεταλλικά σκεύη με εμαγιέ βάση.
- Μην τοποθετείτε ζεστές κατασρόλες/σκεύη πάνω στον πίνακα ελέγχου.

ΠΙΝΑΚΑΣ ΨΗΣΙΜΑΤΟΣ

ΕΣΤΙΑ (1-12)	ΤΡΟΠΟΣ ΜΑΓΕΙΡΕΜΑΤΟΣ
1 – 2	Λιώσιμο βουτύρου, σοκολάτας, κ.λπ.
2 – 3 – 4	Διατήρηση της θερμοκρασίας του φαγητού και ξαναζέσταμα μικρών ποσοτήτων υγρού.
4 – 5 – 6	Ζέσταμα μεγαλύτερων ποσοτήτων, παρασκευή κρεμών και σαλτσών.
6 – 7	Χαμηλός βρασμός, για παράδειγμα: βραστά λαχανικά, σπαγγέτι, σούπες, ψητά κατασρόλας, μαγειρευτά.
7 – 8	Για όλα τα τηγανιτά, κοτολέτες, μπριζόλες, ψήσιμο χωρίς το καπάκι, για παράδειγμα: ριζότο.
8 – 9 – 10	Ροδοκοκκίνισμα κρεάτων, ψητές πατάτες, τηγανιτά ψάρια και για το βράσιμο μεγάλων ποσοτήτων νερού.
11 – 12	Γρήγορο τηγάνισμα, μπριζόλες στη σχάρα, κ.λπ.

ΚΑΘΑΡΙΣΜΟΣ ΚΑΙ ΣΥΝΤΗΡΗΣΗ

⚠️ Αποσυνδέστε τη συσκευή από το ηλεκτρικό δίκτυο.

- Μη χρησιμοποιείτε εξοπλισμό καθαρισμού με ατμό.
- Μην χρησιμοποιείτε αποξεστικά καθαριστικά ή συρμάτινα σφουγγαράκια γιατί μπορεί να προκαλέσουν ζημιά στο γυαλί.
- Μετά τη χρήση, καθαρίστε τη μονάδα εστιών (όταν κρυώσει), ώστε να απομακρυνθούν υπολείμματα τροφίμων και κηλίδες.
- Η ζάχαρη ή τα φαγητά με υψηλή περιεκτικότητα σε σάκχαρα προκαλούν φθορά στη μονάδα εστιών και πρέπει να καθαρίζονται αμέσως.

- Το αλάτι, η ζάχαρη και η άμμος μπορούν να χαράξουν την επιφάνεια του γυαλιού.
- Χρησιμοποιείτε μαλακό πανί, χαρτί κουζίνας ή ειδικά προϊόντα για τον καθαρισμό της μονάδας (ακολουθείτε τις οδηγίες του κατασκευαστή).
- Οι διαρροές υγρών στις εστίες μπορεί να προκαλέσει τη μετακίνηση ή τον κραδασμό των σκευών.
- Σκουπίστε καλά την επιφάνεια της μονάδας μετά τον καθαρισμό.

ΑΝΤΙΜΕΤΩΠΙΣΗ ΠΡΟΒΛΗΜΑΤΩΝ

Εάν η μονάδα εστιών δεν λειτουργεί σωστά, πριν επικοινωνήσετε με το κέντρο εξυπηρέτησης πελατών, ανατρέξτε στον οδηγό αντιμετώπισης προβλημάτων για να καθορίσετε το πρόβλημα.

- Διαβάστε τις οδηγίες που παρέχονται στην ενότητα "Καθημερινή χρήση".
- Βεβαιωθείτε ότι δεν υπάρχουν διακοπές στην παροχή.
- Σβήστε και ανάψτε ξανά την εστία, για να βεβαιωθείτε ότι το πρόβλημα έχει λυθεί.

- Βεβαιωθείτε ότι ο διακόπτης είναι γυρισμένος στο "0".
- Γυρίστε τον πολυπολικό διακόπτη στη θέση "Off" (Απενεργοποίηση) για μερικά λεπτά και στη συνέχεια ξανά στη θέση "On" (Ενεργοποίηση).
- Η μονάδα εστιών δεν σβήνει: αποσυνδέστε τη μονάδα εστιών από την παροχή ρεύματος.

Εάν μετά από αυτούς τους ελέγχους το πρόβλημα παραμένει, απευθυνθείτε στο πλησιέστερο Κέντρο Εξυπηρέτησης Πελατών.

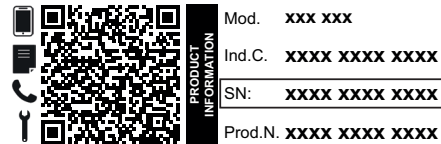
ΚΕΝΤΡΟ ΕΞΥΠΗΡΕΤΗΣΗΣ ΠΕΛΑΤΩΝ

Για να λάβετε πλήρη τεχνική υποστήριξη, παρακαλούμε να καταχωρίσετε τη συσκευή σας στην ιστοσελίδα www.whirlpool.eu/register.

ΠΡΙΝ ΚΑΛΕΣΤΕ ΤΟ ΣΕΡΒΙΣ:

- Επιχειρήστε να επιλύσετε μόνοι σας το πρόβλημα με τη βοήθεια των συστάσεων που παρέχονται στον **ΟΔΗΓΟ ΑΝΤΙΜΕΤΩΠΙΣΗΣ ΒΛΑΒΩΝ**.
- Σβήστε και ανάψτε ξανά τη συσκευή για να διαπιστώσετε εάν η βλάβη παραμένει.

- τον σειριακό αριθμό (αριθμός μετά τη λέξη SN στην πινακίδα που βρίσκεται κάτω από τη συσκευή). Ο σειριακός αριθμός αναφέρεται επίσης στην τεκμηρίωση;



- την πλήρη διεύθυνσή σας;
- τον αριθμό τηλεφώνου σας.

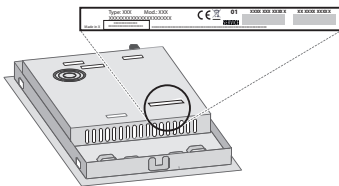
ΕΑΝ Η ΒΛΑΒΗ ΕΞΑΚΟΛΟΥΘΕΙ ΝΑ ΕΜΦΑΝΙΖΕΤΑΙ ΜΕΤΑ ΤΟΥΣ ΠΑΡΑΠΑΝΩ ΕΛΕΓΧΟΥΣ, ΕΠΙΚΟΙΝΩΝΗΣΤΕ ΜΕ ΤΟ ΠΛΗΣΙΕΣΤΕΡΟ ΣΕΡΒΙΣ.

Για τεχνική υποστήριξη, καλέστε τον αριθμό που αναγράφεται στο βιβλιαράκι εγγύησης ή ακολουθήστε τις οδηγίες στην www.whirlpool.eu.

Εάν απαιτείται επισκευή, απευθυνθείτε σε ένα εξουσιοδοτημένο Κέντρο Εξυπηρέτησης Πελατών (για να διασφαλιστεί η χρήση γνήσιων ανταλλακτικών και η σωστή επισκευή).

Όταν επικοινωνείτε με την Εξυπηρέτηση πελατών, αναφέρετε πάντα:

- Μια σύντομη περιγραφή της βλάβης;
- Τον τύπο και το ακριβές μοντέλο της συσκευής;



Μπορείτε να βρείτε πολιτικές, τυπική τεκμηρίωση και πρόσθετες πληροφορίες προϊόντος:

- Χρήση του κωδικού QR στη συσκευή σας;
- Επισκεφθείτε την ιστοσελίδα μας docs.whirlpool.eu;
- Εναλλακτικά, **μπορείτε να επικοινωνήσετε με την Υπηρεσία εξυπηρέτησης πελατών** (βλ. τηλεφωνικό αριθμό στο βιβλιαράκι εγγύησης). Όταν επικοινωνείτε με το Κέντρο εξυπηρέτησης πελατών, αναφέρατε τους κωδικούς που αναγράφονται στην ετικέτα αναγνώρισης προϊόντος.



Töltse le a teljes útmutatót a <http://docs.whirlpool.eu> honlapról, vagy hívja fel a garancia füzetben megtalálható telefonszámot.

A készülék használata előtt olvassa el az alábbi biztonsági útmutatót. Őrizze meg a későbbi felhasználás érdekében.

A kézikönyvben és a készüléken található fontos biztonsági figyelmeztetéseket mindig olvassa el és tartsa be. A gyártó nem vállal felelősséget a biztonsági utasítások figyelmen kívül hagyásából, a készülék nem rendeltetésszerű használatából vagy a készülék kezelőszerveinek helytelen beállításaiából eredő károkért.

⚠ FIGYELEM: Ha a főzőlap felülete megrepedt, ne használja a készüléket - fennáll az áramütés veszélye.

⚠ FIGYELEM: Tűzveszély: Ne tároljon semmilyen tárgyat a főzőfelületeken.

⚠ VIGYÁZAT! A főzési folyamat során ne hagyja a készüléket hosszabb időre felügyelet nélkül! Rövid főzési folyamat során a készülék folyamatos felügyelete szükséges.

⚠ FIGYELEM: Ha felügyelet nélkül zsírral vagy olajjal főz a főzőlapon, az veszélyes lehet, és tüzet okozhat. SOHA ne próbálja a tüzet vízzel eloltani, hanem kapcsolja ki a készüléket, és takarja le a lángokat egy fedővel vagy tűzálló pokróccal.

⚠ Ne használja a főzőlapot munkafelületként vagy tartófelületként. Tűzbiztonsági okokból ne hagyjon konyharuhát vagy más gyúlékony tárgyat a készülék közelében, amíg annak minden része teljesen ki nem hűl.

⚠ Kisgyermeket (0–3 év között) ne engedjen a készülék közelébe. Gyermek (3–8 év között) kizárólag felnőtt felügyelete mellett tartózkodhatnak a készülék közelében. A 8 éves vagy idősebb gyermekek, továbbá csökkent fizikai, érzékszervi vagy mentális képességekkel élő, illetve kellő tapasztalattal és a készülékre vonatkozó ismeretekkel nem rendelkező személyek csak felügyelet mellett használhatják a készüléket, továbbá ha előzőleg ellátták őket útmutatásokkal a készülék használatára vonatkozóan, és ismerik a használatból eredő esetleges kockázatokat. Ne engedje, hogy gyermekek játszanak a készülékkel. Gyermek nem végezhetik a készülék tisztítását és karbantartását felügyelet nélkül.

⚠ FIGYELEM: A készülék és annak hozzáférhető részei használat közben felforrósodnak. Ügyeljen arra, hogy ne érjen a fűtőelemekhez. A 8 évesnél fiatalabb gyermekeket távol kell tartani a készüléktől, hacsak nincsenek folyamatos felügyelet alatt.

RENDELTETÉSSZERŰ HASZNÁLAT

⚠ VIGYÁZAT! Kialakításából adódóan a készülék működtetése nem lehetséges külső időzítő szerkezettel vagy külön távirányítóval.

⚠ Ezt a készüléket háztartási, illetve ahhoz hasonló célokra tervezték, mint például: üzletekben, irodákban lévő és egyéb munkahelyi konyhákban; tanyán; szállodák, motelek, reggelit és szobát kínáló és egyéb szálláshelyek vendégei számára.

⚠ Minden más felhasználása tilos (pl. helyiségek fűtése).

⚠ A készülék nem nagyüzemi használatra való. Ne használja a készüléket a szabadban.

ÜZEMBE HELYEZÉS

⚠ A készülék mozgatását és üzembe helyezését a sérülésveszély csökkentése érdekében két vagy több személy végezze. Viseljen védőkesztyűt a készülék kicsomagolása és üzembe helyezése során, nehogy megvágja magát.

⚠ A készülék üzembe helyezését és javítását, a vízbekötést (ha van) és az elektromos csatlakoztatást is beleértve, kizárólag képzett szakember végezheti. Ne javítsa meg, illetve ne cserélje ki a készülék semmilyen alkatrészét, ha az adott művelet nem szerepel kifejezetten a felhasználói kézikönyvben. Ne engedje a gyermekeket abba a helyiségbe, ahol az üzembe helyezést végzi. A kicsomagolás után ellenőrizze, hogy a készülék sérült-e a szállítás során. Probléma esetén vegye fel a kapcsolatot a kereskedővel vagy a legközelebbi vevőszolgálattal. Üzembe helyezés után a csomagolóanyagokat (műanyag, habszivacs stb.) az esetleges fulladásveszély miatt olyan helyen tárolja, vagy úgy dobja ki, hogy a gyermekek ne férhessenek hozzá. Az áramütés elkerülése érdekében az üzembe helyezési műveletek előtt húzza ki a készülék hálózati csatlakozóját. Az áramütés és a tűzveszély elkerülése érdekében az üzembe helyezés során győződjön meg arról, hogy a készülék miatt nem sérül-e a hálózati tápkábel. A készüléket csak a megfelelő üzembe helyezést követően kapcsolja be.

⚠ A készülék beszerelése előtt végezzen el minden asztalosmunkát a bútoron, és távolítsa el minden faforgácsot és fűrészport.

⚠ Ha a készüléket nem sütő fölé szerelik be, egy elválasztó lapot (nem tartozék) kell a készülék alatti rekeszbe beszerelni.

ELEKTROMOS ÁRAMMAL KAPCSOLATOS FIGYELMEZTETÉSEK

⚠ Fontos, hogy a készüléket le lehessen választani az elektromos hálózatról a villásdugó kihúzásával vagy az aljzat és a készülék közé szerelt, többpólusú megszakítóval, illetve kötelező a készüléket a biztonsági előírásoknak megfelelően földelni.

⚠ Ne használjon hosszabbítót, elosztót vagy adaptert. Beszerelés után az elektromos alkatrészeknek hozzáférhetetlennek kell lenniük a felhasználó számára. Ne használja a készüléket mezítláb, és ne nyúljon hozzá nedves kézzel. Ne használja a készüléket, ha a tápkábel vagy a csatlakozódugó sérült, illetve ha

a készülék nem működik megfelelően, megsérült vagy leejtették.

⚠️ A beszereléshez csak akkor használható tápkábelcsatlakozó, ha a készülék rendelkezik a gyártó által felszerelt csatlakozóval.


⚠️ Ha a hálózati kábel megsérül, az áramütés kockázatának elkerülése érdekében a gyártóval, annak szervizképviselőjével vagy egy hasonlóan képzett szakemberrel kell egy ugyanolyan kábelre kicseréltetni.

TISZTÍTÁS ÉS KARBANTARTÁS

⚠️ FIGYELEM: Bármilyen karbantartási művelet előtt győződjön meg arról, hogy a készüléket kikapcsolta és kihúzta a konnektorból. Az áramütés elkerülése érdekében soha ne használjon gőznyomással működő tisztítókészüléket.

⚠️ Ne használjon súroló- vagy korrozív szereket, klóros tisztítószerkeket vagy dörzsszivacsot.

A CSOMAGOLÓANYAGOK ÁRTALMATLANÍTÁSA


A csomagolóanyag 100%-ban újrahasznosítható, és el van látva az újrahasznosítás jelével .

A csomagolás különféle részeinek hulladékkezelését felelősségteljesen és a hulladékok elhelyezését szabályozó helyi rendelkezésekkel teljes összhangban végezze.

A HÁZTARTÁSI GÉPEK HULLADÉKKÉNT TÖRTÉNŐ ELHELYEZÉSE

Ez a készülék újrahasznosítható vagy újrafelhasználható anyagok felhasználásával készült. Leselejtezeskor a helyi hulladékkezelési szabályokkal összhangban járjon el. Az elektromos háztartási készülékek kezelésére, hasznosítására és újrafeldolgozására vonatkozó további információkért forduljon az illetékes helyi hatósághoz, a háztartási hulladékok begyűjtését végző vállalathoz vagy az üzlethez, ahol a készüléket vásárolta. Ez a berendezés az elektromos és elektronikus berendezések hulladékairól szóló 2012/19/EU irányelvnek, illetve az elektromos és elektronikus berendezések hulladékairól szóló 2013. évi (módosított) előírásoknak megfelelően került megjelölésre.

A hulladékká vált termék szabályszerű elhelyezésével Ön segít elkerülni a környezetterhelés az emberi egészséggel kapcsolatos negatív következményeket.

A terméken vagy a kísérő dokumentumokon található  jel azt jelzi, hogy a készüléket nem szabad háztartási hulladékként kezelni, hanem az elektromos és elektronikai készülékeknek megfelelő gyűjtőhelyen kell leadni.

ENERGIATAKARÉKOSÁGI TANÁCSOK

A forró főzőlap maradékhőjének maximális kihasználása érdekében néhány perccel a főzés befejezése előtt kapcsolja ki a készüléket.

Az edény vagy serpenyő alja teljesen takarja a főzőlapot, a főzőlapnál kisebb edénnyel energiát pazarol.

A főzés során fedje le az edényeket és serpenyőket szorosan illeszkedő fedővel, és minél kevesebb vizet használjon. A fedő nélküli főzés nagymértékben növeli az energiafogyasztást.

Csak lapos fenekű edényeket és serpenyőket használjon.

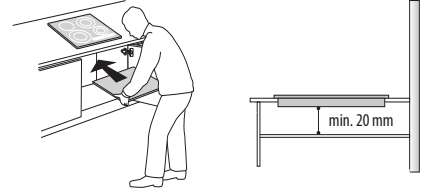
MEGFELELŐSÉGI NYILATKOZAT

A környezettudatos tervezésre vonatkozó 66/2014/EU rendelet irányelveinek, valamint a környezettudatos tervezésre és energiacímkézésre vonatkozó (módosított) (EU Exit) 2019-es rendelet irányelveinek, az EN 60350-2 európai szabvánnyal összhangban.



ÜZEMBE HELYEZÉS

- A főzőlap 30-50 mm mély munkalapba szerelhető.
- Ne szereljen semmit (keresztsínt, konzolt stb.) a főzőlap és a sütő közé.
- Ellenőrizze, hogy a tápkábel kellően hosszú-e a kényelmes beszereléshez.
- Az üvegkerámia főzőlap alja és a konyhaszekrény, illetve a válaszlap között legalább 20 mm távolságot kell hagyni.
- A beépítési méretekhez és a beszereléshez lásd az itt található ábrát.
- A főzőlap és a felette lévő elszívó között adott minimális távolságot kell hagyni. További információért lásd az elszívó használati útmutatóját.
- A főzőlap felületének megtisztítása után helyezze fel a csomagban található tömitést (ha még nincs felhelyezve).
- **Ne szerelje a főzőlapot mosogatógép vagy mosógép közelébe: ellenkező esetben az elektromos áramköröket gőz vagy nedvesség érheti, ami károsíthatja azokat.**
- Ha a főzőlap alá sütő kerül, ügyeljen arra, hogy a sütő rendelkezzen hűtőrendszerrel. Ha az elektromos áramkörök hőmérséklete meghaladja a megengedett maximális értéket, a főzőlap automatikusan kikapcsol. Ilyen esetben várjon néhány percet, amíg az elektromos áramkörök belső hőmérséklete megfelelően lecsökken. Ekkor a főzőlap ismét bekapcsolható.

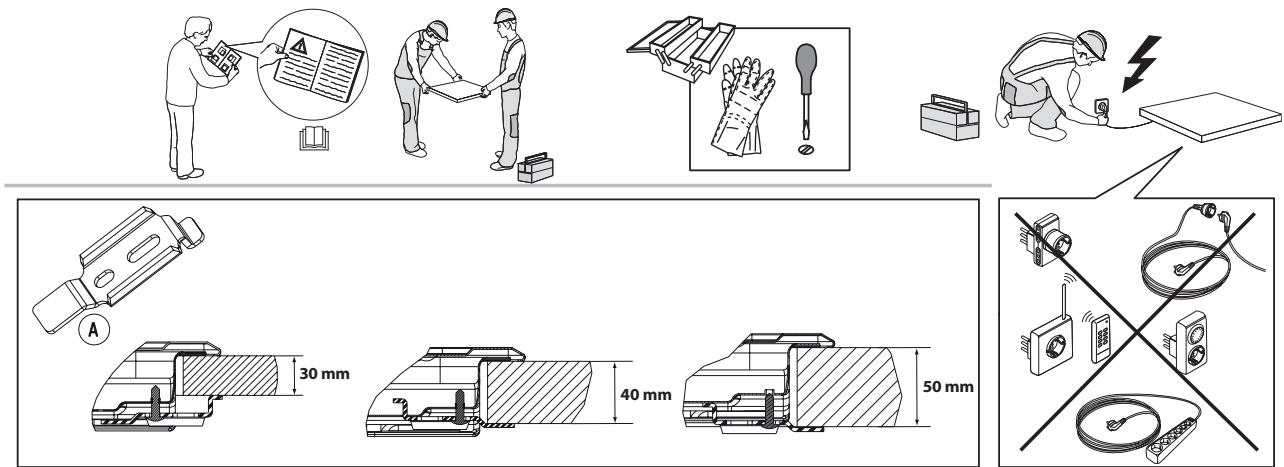


A FŐZŐLAP ELHELYEZÉSE

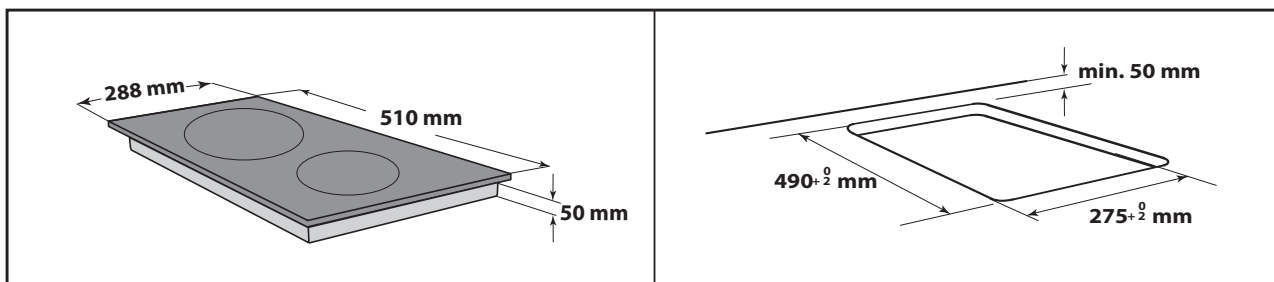
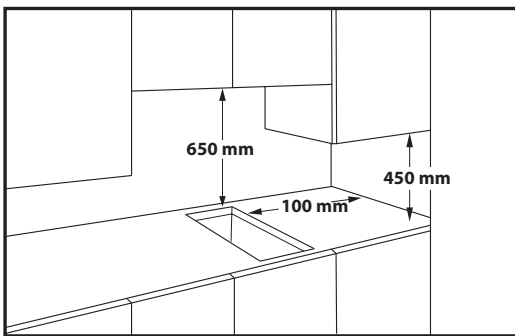
Fontos: A tűzhelylap beszerelése előtt távolítsa el minden védőfóliát.

Győződjön meg arról, hogy a munkafelületen a tűzhelylapot befogadó nyílást a rajzon feltüntetett méreteknek megfelelően, a tőrési tartományok betartásával vágta ki. A tűzhelylapot ne erőltesse a munkafelületbe. Ha erőltetve illeszti be az üvegkerámia lapot, az megrepedhet (akár később is)!

Ha a munkalap fából készült, használja a mellékelt rugós kapcsokat és csavarokat. Rögzítse a rugós kapcsokat (A) a mellékelt csavarokkal, figyelve a megadott távolságokra. Illeszse a tűzhelylapot a munkafelületbe.



BETARTANDÓ MÉRETEK ÉS TÁVOLSÁGOK



A FŐZŐLAP KISZERELÉSE:

A főzőlap kiszerelése előtt válassza le azt az elektromos hálózatról. Mindenképpen javasoljuk, hogy válassza le az alsó részt a sütőről, fiókról, elválasztó elemről stb. Így a szerelő hozzáférhet a főzőlap alsó részéhez: a négy kapocs csavarhúzóval történő kioldása után emelje meg és vegye ki a főzőlapot – a munkalap így nem károsodik.

ELEKTROMOS CSATLAKOZTATÁS

Az elektromos csatlakoztatást azelőtt kell elvégezni, hogy a készüléket a hálózatra csatlakoztatná.

A tápkábel nem része a csomagnak – ne feledje, hogy ezt Önnek kell biztosítania.


A készüléket olyan szakembernek kell beszerelnie, aki ismeri az érvényben lévő biztonsági és üzembe helyezési előírásokat. A beszerelést a helyi villamosenergia-ellátó előírásai szerint kell elvégezni.

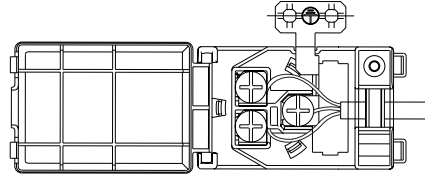
Győződjön meg arról, hogy a készülék alján található adatlapon megadott feszültség megegyezik a lakásban elérhető hálózati feszültséggel.

Az előírások szerint a készüléket földelni kell: kizárólag megfelelő méretű vezetékeket használjon (a földkábel is beleértve).

CSATLAKOZTATÁS A SORKAPOCSHOZ

Az elektromos bekötéshez használja az alábbi táblázat szerinti H05RR-F vagy H05V2V2-F típusú vezetéket.

TÁPFESZÜLTSG	VEZETÉKEK SZÁM x MÉRET
220-240V ~ + 	3 x 1,5 mm ²



A készülék elektromos hálózatra kötését olyan összpólusú megszakító kapcsolóval végezze, amelynél az érintkezők közötti távolság legalább 3 mm.

FIGYELEM: a tápkábelnek olyan hosszúnak kell lennie, hogy a főzőlapot ki lehessen emelni a munkalapból, és úgy kell elhelyezni, hogy ne érjen a készülék aljához, mivel az károsíthatja vagy a túlmelegedését okozhatja.

MEGJEGYZÉS: a sárga-zöld földkábelnek a többi vezetéknél hosszabbnak kell lennie, és a  szimbólummal ellátott csatlakozóhoz kell csatlakoztatni.

- Blankolja a kábel végének külső borítását kb. 70 mm hosszan.
- Majd blankolja a belső borítást is kb. 10 mm hosszan.
- Nyissa fel a kapcsolótáblát úgy, hogy egy megfelelő szerszámmal benyomja az oldalsó rögzítőkapcsokat.
- Illessze a kábelt a kábelszorítóba, és csatlakoztassa a vezetékeket a kapcsolótáblához.
- Zárja le a kapcsolótábla fedelét.
- Az elektromos csatlakoztatás után illessze be felülről a főzőlapot, és akassza a rögzítőrugókba.



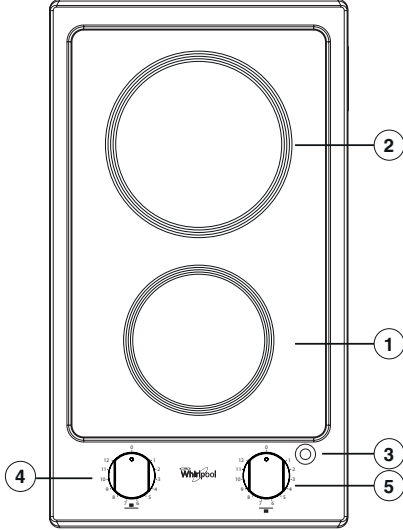
KÖSZÖNJÜK, HOGY A WHIRLPOOL TERMÉKÉT VÁLASZTotta
Teljes körű szolgáltatásaink eléréséhez, kérjük, regisztrálja termékét honlapunkon: www.whirlpool.eu/register.

A TOVÁBBI INFORMÁCIÓK ELÉRÉSÉHEZ OLVASSA BE A KÉSZÜLÉKEN TALÁLHATÓ QR-KÓDOT



A készülék használata előtt olvassa el figyelmesen a Biztonsági útmutatót.

TERMÉKLEÍRÁS



1. Sugárzó főzőzóna Ø 145
2. Sugárzó főzőzóna Ø 180
3. BE/KI jelzőlámpa
4. Hátsó főzőzóna szabályozógombja
5. Első főzőzóna szabályozógombja



ELSŐ HASZNÁLAT

Használat előtt távolítsa el:

- a főzőlapra tapadt ragasztómaradványokat;
- a védőkartont és a védő műanyag fóliát;

- ellenőrizze, hogy a szállítás során nem sérült-e meg a főzőlap. Ha kétségei vannak, hívja a vevőszolgálati központot.

NAPI HASZNÁLAT

A FŐZŐLAP BE- ÉS KIKAPCSOLÁSA

A főzőlap használatához forgassa el a gomb(ka)t az óramutató járásával megegyező irányban a kívánt teljesítménybeállításra.

A főzőlap kikapcsolásához forgassa vissza a gomb(ka)t "0" állásba.

FONTOS A főzőlap maradandó károsodásának elkerülése érdekében:

- ne használjon nem sík aljú edényeket;
- ne használjon zománcozott aljú fémedényeket;
- ne helyezzen forró edényt a kezelőpanelre.

FŐZÉSI TÁBLÁZAT

GOMB (1-12)	A MŰVELET JELLEGE
1 – 2	Vaj, csokoládé stb. olvasztása.
2 – 3 – 4	Étel melegen tartása és kis mennyiségű folyadékok felmelegítése.
4 – 5 – 6	Nagyobb mennyiségek melegítése, sodók és mártások készítése.
6 – 7	Lassú párolás, pl. párolt zöldségek, spagetti, levesek, egytálételek, pörköltök.
7 – 8	Minden sült ételhez, bordák, steakek, fedő nélküli főzés (pl. rizottó).
8 – 9 – 10	Húsok pirítása, burgonya, hal sütése és nagy mennyiségű víz felforralása.
11 – 12	Hirtelen sütés, steakek sütése serpenyőben stb.

TISZTÍTÁS ÉS KARBANTARTÁS

⚠ Válassza le a készüléket az áramforrásról.

- Ne használjon gőznyomással működő tisztítókészülékeket.
- Ne használjon dörzsszivacsot vagy súrolópárnát, mert ezek megkarcolhatják az üvegfelületet.
- Minden használat után (lehűlt állapotban) tisztítsa meg a főzőlapot, eltávolítva róla az ételmaradékok okozta lerakódásokat és foltokat.
- A cukor, valamint a magas cukortartalmú ételek károsíthatják a főzőlapot, így azokat haladéktalanul el kell távolítani.

A PROBLÉMÁK MEGOLDÁSA

Ha a főzőlap nem megfelelően működik, tekintse meg a hibaelhárítási útmutatót a probléma meghatározásához, és csak ezután vegye fel a kapcsolatot a vevőszolgálattal.

- Olvassa el és tartsa be a "Napi használat" részben található utasításokat.
- Ellenőrizze, hogy nincs-e áramkimaradás.
- Kapcsolja ki majd kapcsolja be újra a főzőlapot, hogy a probléma biztosan megoldódjék.
- Ellenőrizze, hogy a gomb a "0" állásba van-e forgatva.

VEVŐSZOLGÁLAT

Ahhoz, hogy átfogóbb támogatásban részesüljön, kérjük, regisztrálja készülékét a www.whirlpool.eu/register oldalon.

MIELŐTT A VEVŐSZOLGÁLATOT HÍVNÁ:

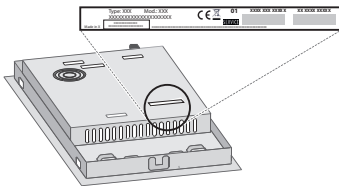
1. Ellenőrizze, hogy a probléma megoldható-e a **HIBAELHÁRÍTÁS** részben ismertetett javaslatok segítségével.
2. Kapcsolja ki, majd kapcsolja be újra a készüléket, hogy lássa, fennáll-e még a hiba.

HA A FENTI LÉPÉSEK ELVÉGZÉSE UTÁN A HIBA TOVÁBBRA IS FENNÁLL, LÉPJEN KAPCSOLATBA A HELYI VEVŐSZOLGÁLATTAL.

Ha segítségre van szüksége, hívja a garanciafüzetben található telefonszámot, vagy kövesse a weboldalon (www.whirlpool.eu) megadott utasításokat.

Ha a vevőszolgálathoz fordul, minden esetben meg kell adnia a következő adatokat:

- a hiba rövid leírását;
- a sütő pontos modelljét és típusát;



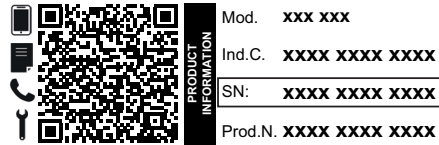
- A só, a cukor és a homok megkarcolhatja az üvegfelületet.
- Használjon puha kendőt, nedvszívó papírtörölt vagy speciálisan a főzőlapok tisztítására szolgáló tisztítóeszközt (tartsa be a gyártó utasításait).
- Ha folyadék fröccsen a főzőzónákra, az edények elmozdulhatnak vagy remeghetnek.
- A tisztítást követően alaposan szárítsa meg a felületet.

Fordítsa a többpólusú kapcsolót az "Off" (Ki) helyzetbe néhány percre, majd ismét az "On" (Be) állásba.

- Nem kapcsol ki a főzőlap: válassza le azonnal a készüléket az áramforrásról.

Ha a fenti ellenőrzések után a hiba még mindig fennáll, lépjen kapcsolatba a legközelebbi vevőszolgálattal.

- sorozatszám (az SN szó utáni szám a készülék alatt található adattáblán). A sorozatszámot a dokumentáció is megadja;



- a teljes címét;
- a telefonszámát.

Ha bármilyen javításra van szükség, kérjük, hogy a hivatalos vevőszolgálathoz forduljon (annak biztosítása érdekében, hogy eredeti alkatrészeket használjanak, és a javításokat megfelelően végezzék el).

A szabályzatok, a szabványos dokumentáció és a termékkel kapcsolatos további információk elérhetők:

- A készüléken lévő QR-kód használatával;
- Ha ellátogat a docs.whirlpool.eu weboldalra;
- Vagy **vegye fel a kapcsolatot a vevőszolgálattal** (a telefonszámot lásd a garanciafüzetben). Amennyiben a vevőszolgálathoz fordul, kérjük, adja meg a termék adattábláján feltüntetett kódokat



INSTRUCȚIUNI PRIVIND SIGURANȚA

IMPORTANT: TREBUIE CITITE ȘI RESPECTATE

Descărcați manualul cu instrucțiuni complet de pe site-ul <http://docs.whirlpool.eu> sau sunați la numărul indicat pe certificatul de garanție.

Înainte de a utiliza aparatul, citiți aceste instrucțiuni privind siguranța. Păstrați-le la îndemână pentru a le putea consulta și pe viitor.

Aceste instrucțiuni și aparatul în sine furnizează avertismente importante privind siguranța, care trebuie respectate întotdeauna. Producătorul nu își asumă nicio răspundere pentru nerespectarea acestor instrucțiuni de siguranță, pentru utilizarea necorespunzătoare a aparatului sau pentru setarea incorectă a butoanelor de comandă.

⚠ **AVERTISMENT:** Dacă suprafața plitei este crăpată, nu folosiți aparatul - risc de electrocutare.

⚠ **AVERTISMENT:** Pericol de incendiu: nu depozitați articole pe suprafețele de gătit.

⚠ **ATENȚIE:** Procesul de preparare trebuie să fie supravegheat. Un proces de preparare care durează puțin trebuie să fie supravegheat în permanență.

⚠ **AVERTISMENT:** Prepararea la plită cu grăsime sau ulei poate fi periculoasă - risc de incendiu. Nu încercați NICIODATĂ să stingeți un incendiu folosind apă: opriți aparatul și apoi acoperiți flacăra, de exemplu, cu un capac sau cu o pătură ignifugă.

⚠ Nu utilizați plita ca suprafață de lucru sau suport. Nu amplasați articole vestimentare sau alte materiale inflamabile lângă aparat până când nu s-au răcit complet toate componentele acestuia - pericol de incendiu.

⚠ Nu lăsați aparatul la îndemâna copiilor foarte mici (0-3 ani). Nu lăsați aparatul la îndemâna copiilor mici (3-8 ani) decât dacă sunt supravegheați în permanență. Copiii cu vârsta de peste 8 ani și persoanele cu capacități fizice, senzoriale sau mintale reduse sau fără experiență și cunoștințe pot folosi acest aparat doar dacă sunt supravegheate sau au fost instruite cu privire la utilizarea în siguranță și înțeleg riscurile implicate. Copiii nu trebuie să se joace cu aparatul. Curățarea și întreținerea nu trebuie să fie efectuate de către copii fără a fi supravegheați.

⚠ **AVERTISMENT:** Aparatul și părțile sale accesibile se înfierbântă în timpul utilizării. Trebuie evitată atingerea elementelor fierbinți. Copiii cu vârste mai mici de 8 ani nu trebuie lăsați să se apropie de aparat, cu excepția cazurilor în care sunt supravegheați în permanență.

UTILIZAREA PERMISĂ

⚠ **ATENȚIE:** aparatul nu trebuie să fie pus în funcțiune prin intermediul unui comutator extern, precum un temporizator, sau al unui sistem de comandă la distanță separat.

⚠ Acest aparat este proiectat pentru a fi utilizat în locuințe, precum și în alte spații, cum ar fi: bucătării destinate personalului din magazine, birouri și alte spații de lucru; ferme; de către clienții din hoteluri,

moteli, unități de cazare de tip „bed and breakfast” și alte spații rezidențiale.

⚠ Nu este permisă nicio altă utilizare (de ex., încălzirea încăperilor).

⚠ Acest aparat nu este destinat utilizării în scop profesional. Nu utilizați aparatul afară.

INSTALARE

⚠ Manevrarea și instalarea aparatului trebuie să fie efectuate de două sau mai multe persoane - risc de rănire. Folosiți mănuși de protecție la despachetare și instalare - risc de tăiere.

⚠ Instalarea, inclusiv racordarea la rețeaua de alimentare cu apă (dacă este necesară) și la rețeaua de alimentare cu energie electrică, precum și reparațiile trebuie efectuate de un tehnician calificat. Nu reparați și nu înlocuiți nicio componentă a aparatului, cu excepția cazului în care acest lucru este indicat în mod expres în manualul de utilizare. Nu lăsați copiii în apropierea zonei de instalare. După despachetarea aparatului, asigurați-vă că acesta nu a fost deteriorat în timpul transportului. Dacă apar probleme, contactați distribuitorul sau cel mai apropiat serviciu de asistență tehnică post-vânzare. Odată instalat aparatul, deșeurile de ambalaje (bucăți de plastic, polistiren etc.) nu trebuie lăsate la îndemâna copiilor - risc de asfixiere. Înainte de orice operație de instalare, aparatul trebuie să fie deconectat de la rețeaua de alimentare cu energie electrică - risc de electrocutare. În timpul instalării, aveți grijă ca aparatul să nu deterioreze cablul de alimentare - risc de incendiu sau de electrocutare. Activați aparatul numai atunci când instalarea a fost finalizată.


⚠ Efectuați toate operațiile de tăiere a dulapului înainte de montarea aparatului și îndepărtați toate așchiile de lemn și rumegușul.


⚠ În cazul în care aparatul nu este montat deasupra unui cuptor, trebuie să fie instalat un panou despărțitor (neinclus în dotarea aparatului) în compartimentul de sub acesta.

AVERTISMENTE PRIVIND ALIMENTAREA CU ENERGIE ELECTRICĂ


⚠ Aparatul trebuie să poată fi deconectat de la rețeaua electrică fie prin scoaterea ștecherului din priză (dacă ștecherul este accesibil), fie prin intermediul unui întrerupător multipolar situat în amonte de priză, în conformitate cu normele privind cablurile electrice, și trebuie să fie împământat în conformitate cu standardele naționale privind siguranța electrică.


⚠ Nu utilizați prelungitoare, prize multiple sau adaptoare. După finalizarea instalării, componentele electrice nu trebuie să mai fie accesibile pentru utilizator. Nu utilizați aparatul dacă aveți părți ale corpului umede sau când sunteți desculți. Nu puneți în funcțiune acest aparat dacă are cablul de alimentare sau ștecherul deteriorat, dacă nu funcționează corespunzător sau dacă a fost deteriorat sau a căzut pe jos.

 Instalarea folosind o fișă de cablu de alimentare nu este permisă, cu excepția cazului în care produsul este deja dotat cu una furnizată de producător.


 În cazul în care cablul de alimentare este deteriorat, acesta trebuie să fie înlocuit cu unul identic de către producător, agentul său de service sau alte persoane calificate, pentru a evita orice pericol sau risc de electrocutare.

CURĂȚAREA ȘI ÎNTREȚINEREA

 **AVERTISMENT:** Asigurați-vă că aparatul este oprit și deconectat de la sursa de alimentare înainte de a efectua orice operație de întreținere; nu folosiți niciodată aparate de curățare cu aburi - risc de electrocutare.

 Nu utilizați produse abrazive sau corozive, produse pe bază de clor sau bureți de sârmă pentru vase.

ELIMINAREA AMBALAJULUI


Ambalajul este reciclabil în proporție de 100% și este marcat cu simbolul reciclării .

Prin urmare, diferitele părți ale ambalajului nu trebuie aruncate la întâmplare, ci trebuie eliminate în conformitate cu normele stabilite de autoritățile locale.

ELIMINAREA APARATELOR ELECTROCASNICE

Acest aparat este fabricat cu materiale reciclabile sau reutilizabile. Eliminați-l în conformitate cu normele locale referitoare la eliminarea deșeurilor. Pentru informații suplimentare referitoare la tratarea, valorificarea și reciclarea aparatelor electrocasnice, contactați autoritățile locale competente, serviciul de colectare a deșeurilor menajere sau magazinul de unde ați achiziționat aparatul. Acest aparat este marcat în conformitate cu Directiva europeană 2012/19/UE privind deșeurile de echipamente electrice și electronice (DEEE) și cu reglementările din 2013 privind deșeurile de echipamente electrice și electronice (astfel cum au fost modificate).

Asigurându-vă că acest produs este eliminat în mod corect, contribuiți la prevenirea consecințelor negative asupra mediului înconjurător și sănătății persoanelor.

Simbolul  de pe produs sau de pe documentele care îl însoțesc indică faptul că acest aparat nu trebuie eliminat ca deșeu menajer, ci trebuie predat la un centru de colectare corespunzător, pentru reciclarea echipamentelor electrice și electronice.

RECOMANDĂRI PRIVIND ECONOMISIREA ENERGIEI

Profitați din plin de căldura reziduală a plăcii fierbinți prin oprirea aparatului cu câteva minute înainte de a termina prepararea.

Baza oalei sau a cratiței trebuie să acopere placa fierbinte în întregime; un recipient care este mai mic decât placa fierbinte va duce la irosirea energiei.

Acoperiți oalele și cratițele cu capace etanșe în timpul preparării și folosiți cât mai puțină apă. Prepararea fără capac va crește foarte mult consumul de energie.

Utilizați numai oale și cratițe cu baza plată.

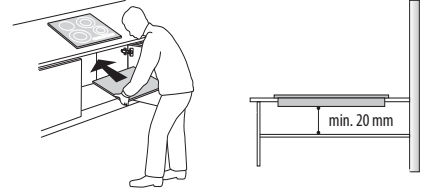
DECLARAȚIE DE CONFORMITATE

Acest aparat îndeplinește Cerințele de proiectare ecologică prevăzute de Regulamentul european nr. 66/2014, precum și Regulamentele din 2019 (leșire UE) (Amendamentul) privind informațiile energetice și proiectarea ecologică aplicabilă produselor cu impact energetic, în conformitate cu Standardul european EN 60350-2.



INSTALARE

- Plita trebuie montată pe un blat de lucru cu o adâncime cuprinsă între 30 mm și 50 mm.
- Nu trebuie să existe nimic între plită și cuptor (sine transversale, console etc.).
- Asigurați-vă că cablul de alimentare este suficient de lung pentru a permite instalarea în mod convenabil.
- Distanța dintre suprafața inferioară a plitei vitroceramice și dulap sau panoul separator trebuie să fie de cel puțin 20 mm.
- Pentru dimensiunile de încorporare și instalare, consultați imaginea din acest paragraf.
- Trebuie menținută o distanță minimă între plită și hota de deasupra acesteia. Vă rugăm să consultați manualul de utilizare a hotei pentru informații suplimentare.
- Montați garnitura furnizată pentru plită (cu excepția cazului în care a fost deja montată), după ce ați curățat suprafața acesteia.
- Nu instalați plita în apropierea unei mașini de spălat vase sau a unei mașini de spălat rufe, pentru ca circuitele electronice să nu vină în contact cu vaporii sau umiditatea și să se deterioreze.
- Dacă este instalat un cuptor sub plită, asigurați-vă că acesta este dotat cu un sistem de răcire. Dacă temperatura circuitelor electronice depășește valoarea maximă permisă, plita se va opri automat; în acest caz, așteptați timp de câteva minute până când temperatura interioară a circuitelor electronice atinge un nivel tolerabil, moment în care va fi posibilă repornirea plitei.

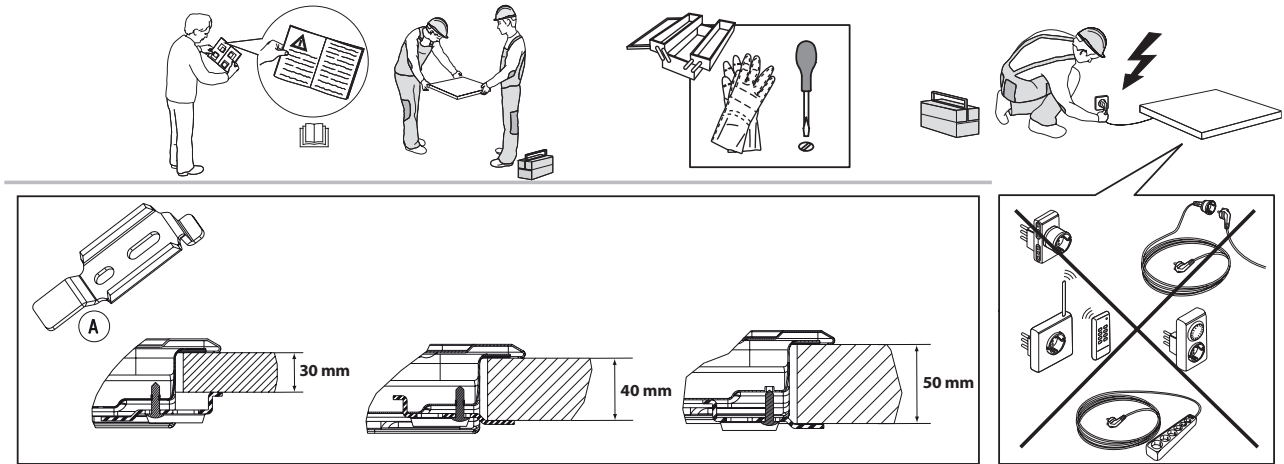


AMPLASAREA PLITEI

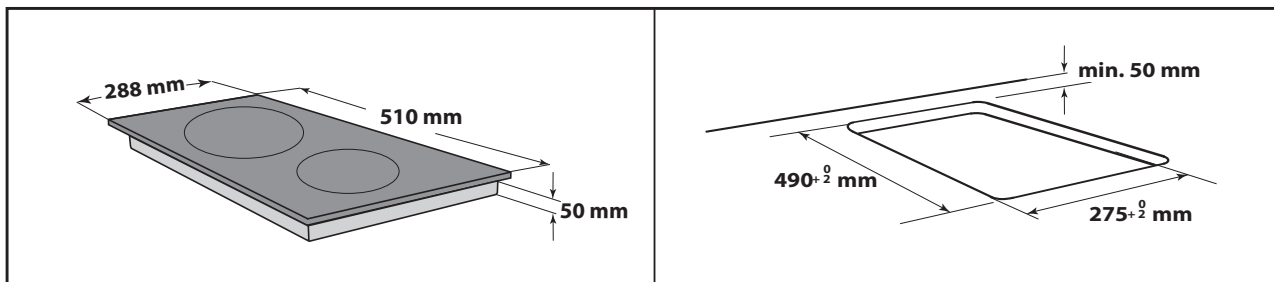
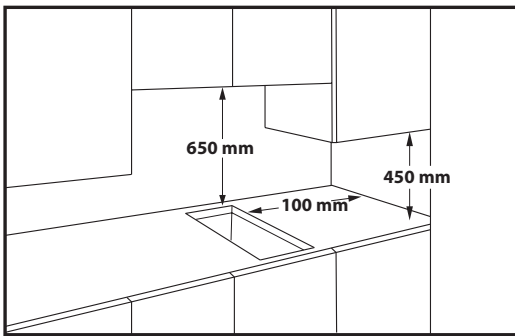
Important: înainte de a instala plita, înlăturați folia de protecție.

Verificați deschiderea efectuată în suprafața de lucru, să fie tăiată în conformitate cu dimensiunile oferite în desen, acordând atenție domeniului de toleranță. Plita nu trebuie împinsă cu forța în blat. Forțarea ar putea duce la apariția fisurilor în suprafața vitroceramică, din cauza tensiunii (chiar și după mai mult timp)!

Dacă blatul este din lemn, folosiți clemele cu arc și șuruburile furnizate. Fixați clemele cu arc (A) cu șuruburile furnizate, ținând cont de distanțele specificate. Fixați plita în blatul de lucru.



DIMENSIUNI ȘI DISTANȚE DE RESPECTAT



DEMONTAREA PLITEI:

Pentru a demonta plita, mai întâi deconectați-o de la rețeaua de alimentare cu energie electrică. Se recomandă cu insistență să desprindeți partea de dedesubt de cuptor, sertar, separator sau altele. Acest lucru îi permite tehnicianului să acceseze partea inferioară a plitei pentru a desprinde cele patru cleme cu o șurubelnița, să ridice plita și să o demonteze, evitând deteriorarea blatului de lucru.

CONECTAREA LA REȚEAUA DE ALIMENTARE CU ENERGIE ELECTRICĂ

Conexiunea electrică trebuie efectuată înainte de a conecta aparatul la alimentarea cu electricitate.


Cablul de alimentare nu este inclus în pachet - nu uitați să furnizați propriul cablu de alimentare.

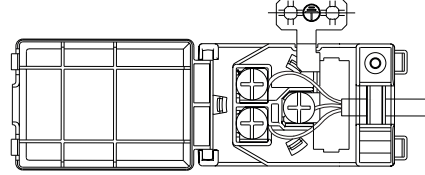
Instalarea trebuie efectuată de personal calificat care cunoaște reglementările în vigoare referitoare la instalare și siguranță. În special, instalația trebuie efectuată în conformitate cu normele companiei locale de furnizare a energiei electrice.

Asigurați-vă că tensiunea indicată pe plăcuța cu date tehnice, situată la baza aparatului, corespunde cu tensiunea din locuința unde va fi instalat aparatul. Împământarea aparatului este obligatorie prin lege: utilizați numai conductori (inclusiv conductorul pentru împământare) de dimensiuni corespunzătoare.

CONECTAREA LA BLOCUL DE CONEXIUNI


Pentru conexiunea electrică, folosiți un cablu de tip H05RR-F sau H05V2V2-F, așa cum se indică în tabelul de mai jos.

TENSIUNE DE ALIMENTARE	CONDUCTORI NUMĂR X DIMENSIUNE
220-240V ~ + 	3 x 1,5 mm ²



Aparatul trebuie conectat la sursa de alimentare cu energie prin intermediul unui întrerupător multipolar cu o distanță de minim 3 mm între contacte.

ATENȚIE: cablul de alimentare trebuie să fie suficient de lung pentru a permite scoaterea plăcii din blatul de lucru și trebuie poziționat astfel încât să se evite deteriorarea sau supraîncălzirea cauzată de contactul cu baza aparatului.

NOTĂ: firul galben/verde de împământare trebuie conectat la borna marcată cu simbolul  și trebuie să fie mai lung decât celelalte fire.

- Îndepărtați aproximativ 70 mm de înveliș exterior al cablului.
- Apoi, îndepărtați aproximativ 10 mm de înveliș interior.
- Deschideți blocul de conexiuni împingând clipsurile laterale spre interior cu ajutorul unei scule.
- Introduceți cablul în clema de fixare și conectați firele la blocul de conexiuni.
- Închideți capacul blocului de conexiuni.
- După conectarea la rețeaua de alimentare cu energie electrică, montați plita prin partea de sus și fixați-o folosind clemele de fixare.



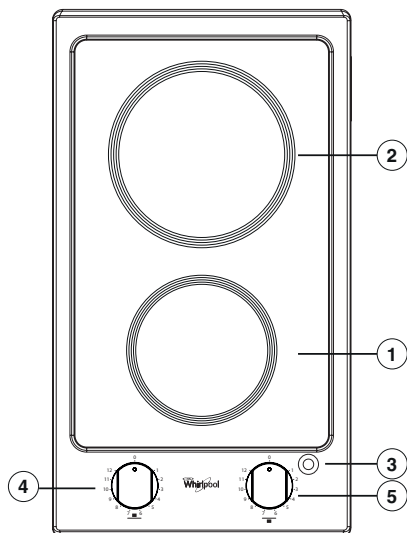
VĂ MULȚUMIM CĂ AȚI ACHIZIȚIONAT UN PRODUS WHIRLPOOL
Pentru a beneficia de servicii complete de asistență, vă rugăm să vă înregistrați produsul pe www.whirlpool.eu/register.

**SCANAȚI CODUL QR DE PE
APARATUL DUMNEAVOASTRĂ
PENTRU A OBȚINE MAI MULTE
INFORMAȚII**

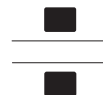


Înainte de a utiliza aparatul, citiți cu atenție instrucțiunile privind siguranța.

DESCRIEREA PRODUSULUI



1. Zonă de gătit radiantă Ø 145
2. Zonă de gătit radiantă Ø 180
3. Luminiță indicatoare ON/OFF
4. Buton de comandă pentru zona de gătit posterioară
5. Buton de comandă pentru zona de gătit anterioară



PRIMA UTILIZARE

Înainte de utilizare:

- îndepărtați etichetele adezive lipite pe plită;
- îndepărtați protecțiile de carton și folia protectoare din plastic;

- verificați dacă plita s-a deteriorat în timpul transportului. Dacă aveți îndoieli, contactați Serviciul de asistență tehnică.

UTILIZAREA ZILNICĂ

ACTIVAREA/DEZACTIVAREA PLITEI

Pentru a utiliza plita, învârtiți butonul (butoanele) în sens orar și poziționați-l (poziționați-le) pe nivelul de putere dorit.

Pentru a stinge plita, readuceți butonul (butoanele) pe poziția "0".

IMPORTANT: Pentru a evita deteriorarea permanentă a plitei:

- nu utilizați vase a căror parte inferioară nu este plată;
- nu utilizați vase metalice cu partea inferioară emailată;
- nu așezați oale/crațițe fierbinți pe panoul de comandă.

TABEL DE GĂTIT

KNOB (1-12)	TYPE OF COOKING
1 – 2	Pentru a topi unt, ciocolată etc.
2 – 3 – 4	Pentru a ține mâncarea la cald și pentru a încălzi cantități mici de lichid.
4 – 5 – 6	Pentru a încălzi cantități mai mari, pentru a prepara creme și sosuri.
6 – 7	Pentru a fierbe la foc mic, de exemplu: legume fierte, spaghetti, supe, mâncare înăbușită, rasol.
7 – 8	Pentru toate alimentele prăjite, cotelete, fripturi, alimente gătite fără capac, de ex.: rizoto.
8 – 9 – 10	Pentru a rumeni carnea, a prăji cartofi, a frige pește și pentru a fierbe cantități mari de apă.
11 – 12	Prăjire rapidă, prepararea fripturilor la grătar etc.

CURĂȚAREA ȘI ÎNTREȚINEREA

⚠ Deconectați aparatul de la rețeaua electrică.

- Nu utilizați aparate de curățat cu aburi.
- Nu utilizați bureți abrazivi sau din sârmă deoarece aceștia pot deteriora suprafața din sticlă.
- După fiecare utilizare, curățați plita (după ce s-a răcit) pentru a elimina depunerile și petele cauzate de resturile de mâncare.
- Zahărul și alimentele cu un conținut ridicat de zaharuri deteriorează plita și trebuie să fie îndepărtate imediat.

- Sarea, zahărul și nisipul pot zgăria suprafața de sticlă.
- Folosiți o lavetă moale, hârtie absorbantă pentru bucătărie sau produse speciale pentru curățarea plitei (respectați instrucțiunile producătorului).
- Pătrunderea lichidului în zonele de gătit poate provoca deplasarea sau vibrarea vaselor de gătit.
- Uscați temeinic plita după ce o curățați.

REMEDIEREA DEFECȚIUNILOR

Dacă plita nu funcționează corect, înainte de a apela la Serviciul de asistență tehnică, consultați Ghidul de remediere a defecțiunilor pentru a stabili care este problema.

- Citiți și respectați instrucțiunile din secțiunea „Utilizarea zilnică”.
- Controlați să nu fie întreruptă alimentarea cu electricitate.
- Stingeați plita, apoi porniți-o din nou, pentru a vedea dacă problema a dispărut.
- Verificați ca selectorul să nu fie rotit în poziția „0”.

- Rotiți timp de câteva minute întrerupătorul multipolar în poziția „Oprit”, apoi rotiți-l înapoi în poziția „Pornit”.
- Plita nu se va opri: deconectați imediat plita de la sursa de alimentare.

Dacă problema persistă și după verificările de mai sus, luați legătura cu cel mai apropiat Serviciu de asistență tehnică.

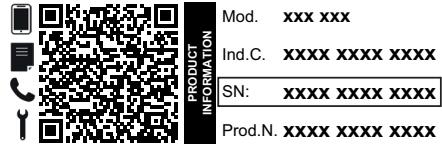
SERVICIUL DE ASISTENȚĂ TEHNICĂ POST-VÂNZARE

Pentru a beneficia de servicii complete de asistență, vă rugăm să vă înregistrați produsul pe www.whirlpool.eu/register.

ÎNAINTE DE A CONTACTA SERVICIUL DE ASISTENȚĂ TEHNICĂ POSTVÂNZARE:

1. Încercați să rezolvați singuri problema, cu ajutorul recomandărilor din **GHIDUL DE REMEDIERE A DEFECȚIUNILOR**.
2. Opriți și puneți din nou în funcțiune aparatul pentru a verifica dacă defecțiunea persistă.

- numărul de serie (numărul de după cuvântul SN de pe plăcuța cu date tehnice, amplasată sub aparat). De asemenea, numărul de serie este indicat în documentație;



- adresa dumneavoastră completă;
- numărul dumneavoastră de telefon

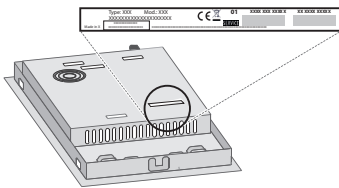
Dacă sunt necesare orice fel de reparații, vă rugăm să contactați un serviciu de asistență tehnică post-vânzare autorizat (pentru a avea garanția că se folosesc piese de schimb originale și că reparațiile vor fi executate corect).

DACĂ PROBLEMA PERSISTĂ CHIAR ȘI DUPĂ CONTROALELE MENȚIONATE, CONTACTAȚI CEL MAI APROPIAT SERVICIU DE ASISTENȚĂ TEHNICĂ POST-VÂNZARE.

Pentru asistență, sunați la numărul de telefon specificat pe certificatul de garanție sau urmați instrucțiunile de pe site-ul web www.whirlpool.eu.

Atunci când contactați serviciul de asistență tehnică post-vânzare, specificați întotdeauna:

- o scurtă descriere a defecțiunii;
- tipul și modelul exact al aparatului;



Politicele, documentația standard și informații suplimentare despre produs pot fi găsite:

- Utilizând codul QR de pe aparat;
- Vizitând site-ul nostru web docs.whirlpool.eu;
- Ca alternativă, **contactați serviciul nostru de asistență tehnică post-vânzare** (Consultați numărul de telefon din certificatul de garanție). Când contactați serviciul nostru de asistență tehnică post-vânzare, vă rugăm să precizați codurile specificate pe plăcuța cu date de identificare a produsului dumneavoastră.



من المهم قراءتها والالتزام بها

وخلافه) بعيدا عن متناول الأطفال - خطر الاختناق. ويجب فصل الجهاز عن مصدر الكهرباء قبل إجراء أية أعمال تركيب - خطر الصعق الكهربائي. وأثناء التركيب، تأكد من عدم إلحاق أي ضرر بكابيل الكهرباء من جراء الجهاز - خطر نشوب حريق أو الصعق الكهربائي. ولا تقم بتفعيل الجهاز إلا عند اكتمال عملية التركيب.

⚠️ قم بتنفيذ جميع أعمال قطع الكابينة قبل تركيب الجهاز في المبيت وتخلص بعناية من جميع الرقاقات الخشبية ونشارة الخشب.
⚠️ إذا لم يتم تركيب الجهاز فوق فرن، فيجب تركيب لوح فاصل (غير مورد) في الجزء الموجود أسفل الجهاز.

التحذيرات الكهربائية

⚠️ يجب توفر إمكانية فصل الجهاز من مصدر الكهرباء من خلال نزع القابيس إن أمكن الوصول إليه، أو باستخدام مفتاح متعدد الأقطاب ومركب عند المقبس بالتوافق مع قواعد التوصيل، ويجب أن يكون الجهاز مؤرضاً، بالتوافق مع مواصفات الأمان الكهربائية المحلية.

⚠️ لا تستخدم أسلاك التمديد، أو المقابيس متعددة التوصيلات أو المهائيات. يجب ألا يتسنى للمستخدم إمكانية الوصول إلى الأجزاء الكهربائية بعد التركيب. لا تستخدم الجهاز إذا كانت يداك مبتلتين أو قدمك حافيتين. ولا تقم بتشغيل هذا الجهاز إذا كان هناك تلف في كابل أو قابيس الكهرباء، أو في حالة تعذر تشغيله بالطريقة الصحيحة، أو إذا كان تالفاً، أو إذا سقط على الأرض.

⚠️ لا يُسمح بالتركيب باستخدام قابيس كابل كهرباء ما لم يكن المنتج مجهزاً بالفعل بالقابيس الذي توفره الجهة الصانعة.


⚠️ إذا لحق أي تلف بسلك التوصيل يجب استبداله عن طريق جهة الصنع أو وكيل الصيانة التابع لها أو أي شخص مؤهل بنفس الدرجة وذلك لتجنب المخاطر - خطر الصعق الكهربائي.

التنظيف والصيانة

⚠️ تحذير: تأكد من إيقاف الجهاز ومن فصله عن مصدر الكهرباء قبل إجراء أية أعمال صيانة، لا تستخدم أبداً أجهزة التنظيف بالبخار - خطر الصعق الكهربائي.

⚠️ لا تستخدم منتجات أكالة أو كاشطة أو منظفات كلورية أو أدوات تنظيف الأواني.


التخلص من مواد التغليف

مواد التغليف قابلة لإعادة التدوير بنسبة 100٪ ومميزة برمز إعادة التدوير . لذا، يجب التخلص من أجزاء التغليف المختلفة بطريقة مسؤولة وبالتوافق مع تشريعات السلطات المحلية الحاكمة لعملية التخلص من المخلفات.

تجهيز الأجهزة المنزلية

تم تصنيع هذا الجهاز باستخدام مواد قابلة لإعادة التدوير أو إعادة الاستخدام. تخلص منه وفقاً للوائح المحلية الخاصة بالتخلص من المخلفات. لمزيد من المعلومات حول المعالجة والاسترداد وإعادة التدوير للأجهزة الكهربائية المنزلية، اتصل بالجهة المحلية المختصة أو خدمة جمع النفايات المنزلية أو المتجر الذي اشترت منه الجهاز. هذا الجهاز ميمز حسب المواصفة الأوروبية EN/19/2012، والأجهزة الكهربائية والإلكترونية القديمة (WEEE) ومع تشريعات الأجهزة الكهربائية والإلكترونية القديمة 2013 (وتعدلاتها).

من خلال التأكد من التخلص من هذا المنتج بالطريقة الصحيحة سوف تساعد في منع النتائج السلبية على البيئة وصحة الإنسان.

يشير الرمز  الموجود على المنتج أو على المستندات المرافقة للمنتج إلى أنه لا ينبغي التعامل مع هذا المنتج على أنه من المخلفات المنزلية، ولكن يجب تسليمه إلى مركز تجميع ملائم لإعادة تدوير الأجهزة الكهربائية والإلكترونية.

نصائح توفير الطاقة

احرص على تحقيق أقصى استفادة من الحرارة المتبقية بسطح التسخين من خلال إطفائه قبل نهاية الطهي بضع دقائق.
قاعدة الوعاء أو الإناء الخاص بك ينبغي أن تغطي سطح التسخين بالكامل، فالوعاء الذي يكون أصغر من سطح التسخين سوف يتسبب في إهدار الطاقة.
قم بتغطية الأواني والأوعية الخاصة بك بأغطية محكمة الغلق أثناء الطهي واستخدم كمية قليلة من الماء قدر الإمكان. فالطهي دون وضع غطاء على الإناء سوف يزيد من استهلاك الطاقة بشكل كبير. اقتصر على استخدام الأواني والأوعية ذات القواعد المستوية.

بيان المطابقة

هذا الجهاز يطابق متطلبات التصميم الاقتصادي للتشريع الأوروبي 2014/66 وتشريعات التصميم الاقتصادي للمنتجات المرتبطة بالطاقة والمعلومات (المعدلة) (EU Exit) 2019، بالتوافق مع المواصفة الأوروبية EN 60300-2.

قم بتنزيل دليل التعليمات من الموقع <http://docs.whirlpool.com> أو اتصل برقم الهاتف الموضوع على كتيب الضمان.

اقرأ تعليمات السلامة هذه قبل استخدام الجهاز. واحتفظ بها في مكان قريب للرجوع إليها مستقبلاً.

تقدم هذه التعليمات والجهاز نفسه تحذيرات هامة خاصة بالسلامة يجب مراعاتها في جميع الأوقات. لا تتحمل الجهة الصانعة أي مسؤولية ناجمة عن عدم مراعاة تعليمات السلامة هذه، أو استخدام الجهاز بطريقة غير سليمة، أو ضبط عناصر التحكم بطريقة غير صحيحة.

⚠️ تحذير: في حالة تشقق سطح الموقد، لا تستخدم الجهاز - خطر الصعق الكهربائي.

⚠️ تحذير: خطر نشوب حريق: لا تقم بتخزين الأشياء على أسطح الطهي.

⚠️ تنبيه: يجب مراقبة عملية الطهي. ويجب مراقبة عملية الطهي القصيرة بصفة مستمرة.

⚠️ تحذير: طهي أطعمة تحتوي على دهون أو زيوت على الموقد دون مراقبة يمكن أن يكون خطيراً - خطر نشوب حريق. لا تحاول أبداً إطفاء الحريق باستخدام الماء؛ وبدلاً من ذلك، أطفئ الجهاز ثم قم بتغطية اللهب مثلاً بغطاء أو ببطانية إطفاء حريق.

⚠️ لا تستخدم الموقد كسطح عمل أو كسطح ارتكاز. احتفظ بالملابس والمواد الأخرى القابلة للاشتعال بعيداً عن الجهاز إلى أن تبرد جميع الأجزاء تماماً - خطر نشوب حريق.

⚠️ يجب إبعاد الأطفال الصغار (في عمر 0 - 3 سنوات) عن الجهاز. يجب إبعاد الأطفال الصغار (من 3 إلى 8 سنوات) عن الجهاز ما لم يكونوا تحت المراقبة المستمرة. ويمكن للأطفال اعتباراً من عمر 8 سنوات فأكثر، وللأشخاص الذين لديهم نقص في القدرات البدنية أو الحسية أو العقلية، أو لمن تنقصهم الخبرة والمعرفة استخدام هذا الجهاز بشرط الإشراف عليهم أو تزويدهم بالتعليمات المتعلقة باستخدامه بطريقة آمنة، وإذا فهموا الأخطار المتعلقة به. يجب ألا يعيثر الأطفال بهذا الجهاز. يحظر على الأطفال تنظيف الجهاز وصيانته دون إشراف.

⚠️ تحذير: يسخن الجهاز وأجزاؤه التي يمكن الوصول إليها أثناء الاستخدام. يجب توخي الانتباه لتجنب ملامسة عناصر التسخين. يجب إبعاد الأطفال دون سن 8 سنوات إلا إذا كانت هناك ملاحظة وإشراف دائم عليهم.

الاستخدام المسموح به

⚠️ تنبيه: الجهاز غير مخصص للاستخدام عن طريق جهاز تشغيل خارجي مثل مؤقت خارجي أو نظام تشغيل عن بعد مستقل.

⚠️ هذا الجهاز مخصص للاستخدام في الأغراض المنزلية وما شابهها مثل: منطقة المطبخ في المحلات والمكاتب وبينات العمل الأخرى، البيوت الريفية، ومن قبل نزلاء الفنادق والموتيلات والنزل بنظام المبيت والإفطار والبيوت الأخرى ذات الطابع السكني.

⚠️ ولا يُسمح باستخدامه في أي أغراض أخرى (مثلاً: تدفئة الغرف).

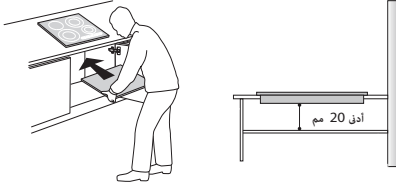
⚠️ هذا الجهاز غير مخصص للاستخدام المهني. لا تستخدم الجهاز في الهواء الطلق.

التركيب

⚠️ يجب التعامل مع الجهاز وتركيبه بواسطة شخصين أو أكثر - خطر الإصابة. ويتعين استخدام قفازات واقية لإخراج الجهاز من العبوة وتركيبه - خطر الإصابة بجروح.

⚠️ يجب إجراء عمليات التركيب بما فيها الإمداد بالماء (إذا كان موجوداً) والتوصيلات الكهربائية والإصلاح بواسطة فني مؤهل. لا تقم بإصلاح أو تغيير أي جزء من أجزاء الجهاز ما لم ينص دليل المستخدم على ذلك بشكل محدد. وأبعد الأطفال عن موقع التركيب. بعد إخراج الجهاز من عبوته، تحقق من عدم تضرره أثناء النقل. وفي حالة وجود مشكلات، اتصل بالموزع أو أقرب مركز لخدمة ما بعد البيع. بمجرد إتمام التركيب، يجب تخزين مخلفات عبوة التغليف (الأجزاء البلاستيكية والستايروفوم

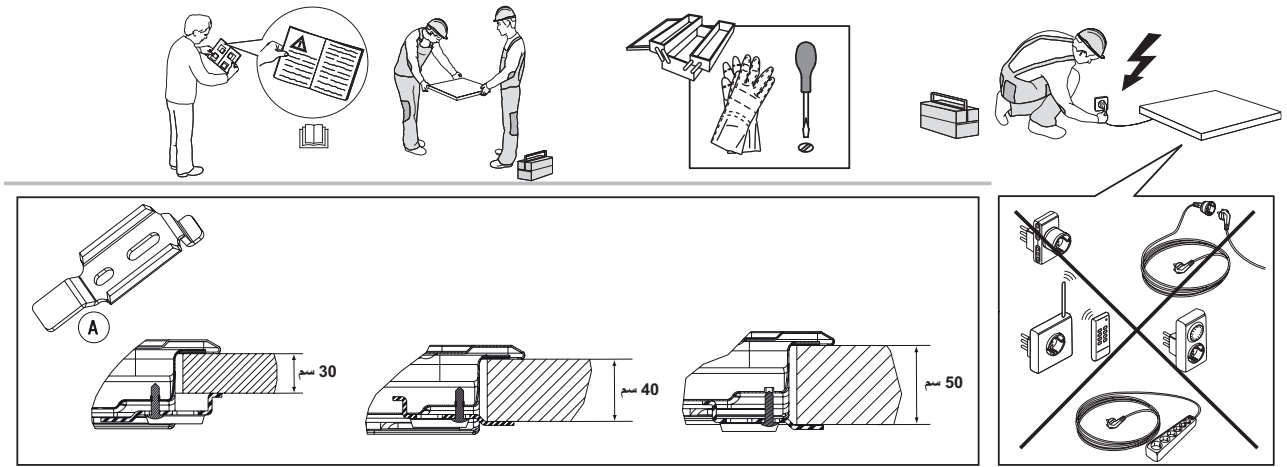




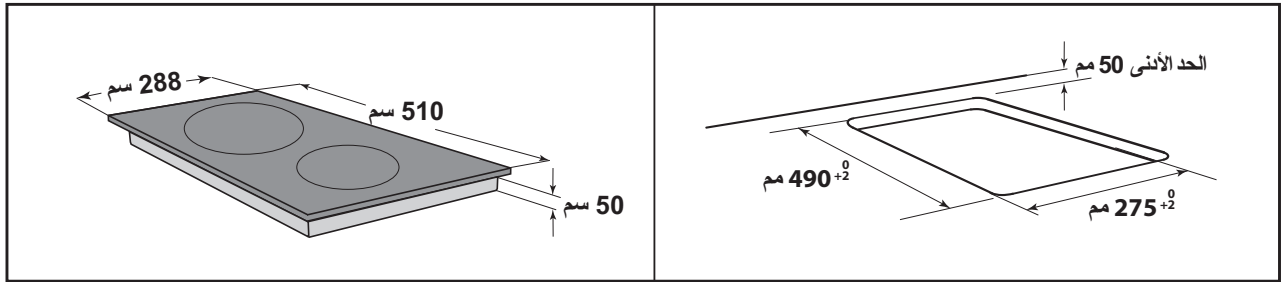
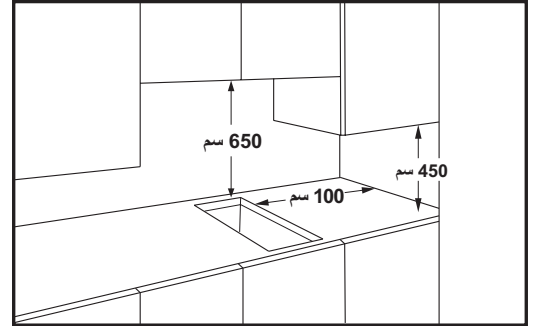
- يجب ضبط الموقد المسطح داخل سطح عمل بين عمق 02 ميليمتر و 05 ميليمتر.
- يجب عدم وجود أي شيء بين الموقد والفرن (فضبان عرضية، ركانز، وما شابه).
- تأكد من أن سلك الكهرباء طويل بما يكفي للسماح بالتركيب المريح.
- يجب ألا تقل المسافة بين السطح السفلي للموقد الخزفي الزجاجي والخزانة أو اللوحة الفاصلة عن 02 مم.
- للاطلاع على أبعاد الدمج والتركيب، انظر الصورة في هذه الفقرة.
- الحد الأدنى للمسافة التي يجب الحفاظ عليها بين الموقد والشفاط من فوقه. للمزيد من المعلومات يرجى الرجوع إلى دليل مستخدم الشفاط.
- ضع الجوانب الموردة على الموقد المسطح (ما لم يكن مركباً بالفعل)، بعد تنظيف سطحه.
- لا تقم بتركيب الموقد المسطح بالقرب من غسالة أطباق أو غسالة ملابس، وذلك حتى لا تتلامس الدوائر الإلكترونية مع البخار أو الرطوبة، وبالتالي تتسبب في إتلافها.
- في حالة تركيب فرن أسفل الموقد المسطح، تأكد من تزويد الفرن بنظام تبريد. فإذا تجاوزت درجة حرارة الدوائر الإلكترونية درجة الحرارة القصوى المسموح بها، فسيتم إيقاف الموقد المسطح أو توماتيكياً، في هذه الحالة، انتظر دقائق قليلة إلى أن تصل درجة الحرارة الداخلية للدوائر الإلكترونية لمستوى مقبول، حيث يمكن عند هذه النقطة تشغيل الموقد مرة أخرى.

وضع الموقد

هام: قم بإزالة أية رقائق واقية قبل تركيب الموقد. تأكد من عمل فتحة في سطح العمل لتركيب الموقد طبقاً للأبعاد المذكورة بالرسم مع مراعاة نطاق السماح. لا يجب دفع الموقد في سطح العمل بالقوة. حيث أن دفع السطح الخزفي الزجاجي قد يعرضه للكسر (ولو في وقت لاحق!) إذا كان سطح العمل مصنوع من الخشب، فاستخدم المشابك النابضية والبراغي الموردة. قم بتأمين المشابك النابضية (A) بالبراغي الموردة، مع مراعاة المسافات المحددة. قم بتركيب الموقد في سطح العمل.



المسافات والأبعاد التي يجب مراعاتها



خلع الموقد:

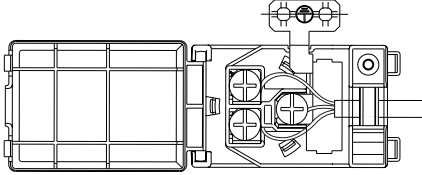
لخلع الموقد، يجب فصله أولاً من مصدر التيار الكهربائي. يوصى بشدة بتحرير الجزء السفلي من الفرن أو الدرج أو الفاصل أو غيره. يسمح للفني بالوصول إلى الجزء السفلي من الموقد لفك المشابك الأربعة بواسطة مفك ورفع الموقد وخلعه وتجنب أي تلف في سطح العمل.

التوصيل الكهربائي

يجب إتمام التوصيلة الكهربائية قبل توصيل الجهاز بمصدر إمداد الكهرباء. لا يتوفر سلك الكهرباء في العبوة - احرص على تحضير سلك الكهرباء الخاص بك. يجب أن يتم التركيب بمعرفة شخص مؤهل ذو اطلاع جيد بتشريعات السلامة والتركيب المعمول بها. بصفة خاصة، يجب أن تتم عملية التركيب طبقاً لتعليمات شركة الإمداد بالكهرباء المحلية. تأكد من أن قيمة الفلظية المدونة على لوحة البيانات الموجودة أسفل الجهاز مساوية لقيمة فلظية تيار الشبكة الكهربائية. تشتت اللوائح أن يتم تأريض الجهاز: اقتصر على استخدام موصلات (بما فيها موصل الأرضي) بالمقاس المناسب.

التوصيل بكتلة أطراف التوصيل

استخدم كابل F-RR50H أو F-2V2V50H (كما هو موضح بالجدول أدناه) للتوصيل الكهربائي.



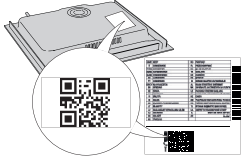
موصلات الكمية x الحجم	جهد الإمداد
3 x 1,5 مم ²	240-220 فلظ ~ + ⚡

يجب توصيل الجهاز بمصدر الإمداد بالكهرباء عن طريق مفتاح فصل لجميع الأقطاب بفجوة تلامس لا تقل عن 3 مم.

تنبيه: يجب أن يكون كابل الكهرباء طويلاً بالقدر الكافي للسماح بخلع الموقد المسطح من سطح العمل، كما يجب وضعه بحيث تتجنب تعرضه للتلف أو السخونة المفرطة نتيجة ملامسته للقاعدة.

ملاحظة: يجب توصيل سلك التأريض الأصفر/الأخضر بطرف التوصيل المميز بالرمز ⚡، كما يجب أن يكون أطول من الأسلاك الأخرى.

- قم بنزع حوالي 70 مم من غالف الكابل الخارجي.
- ثم انزع حوالي 10 مم من الغالف الداخلي.
- افتح لوحة أطراف التوصيل بدفع المشابك الجانبية باستخدام أداة.
- أدخل الكابل في مشبك الكابل وقم بتوصيل الأسلاك في لوحة الأطراف.
- أغلق غطاء لوحة أطراف التوصيل.
- بعد التوصيل الكهربائي، قم بتركيب الموقد من السطح وقم بتعليقه في نواض التثبيت.



يُرجى مسح رمز الاستجابة السريعة على جهازك من أجل الحصول على مزيد من المعلومات

نشكرك على شرائك أحد منتجات شركة WHIRLPOOL للحصول على المزيد من المساعدة التفصيلية، يرجى تسجيل جهازك على www.whirlpool.eu/register

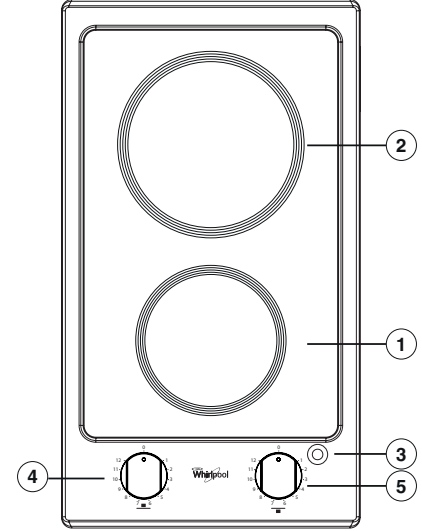
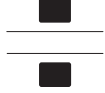


اقرأ تعليمات السلامة بعناية قبل استخدام الجهاز.



وصف المنتج

1. النطاق المشع للطهي Ø 145
2. النطاق المشع للطهي Ø 180
3. مؤشر ضوئي تشغيل/إطفاء OFF/ON
4. مفتاح التحكم لنطاق الطهي الخلفي
5. مفتاح التحكم لنطاق الطهي الأمامي



أول مرة للاستخدام

- تأكد من عدم إلحاق ضرر بالموقد من جراء عملية النقل. وإذا راودك الشك، فاتصل بخدمة ما بعد البيع.

- قبل الاستخدام:
- قم بإزالة الملصقات اللاصقة على الموقد،
- قم بإزالة الواقيات الكرتونية والرقائق البلاستيكية الواقية،

الاستخدام اليومي

- هام: لتجنب حدوث ضرر دائم للموقد:
- لا تستخدم الأواني ذات القواعد غير المستوية،
- لا تستخدم الأواني المعدنية ذات القواعد المطلية،
- لا تضع الأواني/المقالي فوق لوحة التحكم.

- تشغيل/إيقاف الموقد
- استخدم الموقد، أدر المفتاح (المفاتيح) باتجاه عقارب الساعة وضعه على إعداد الطاقة المطلوبة.
- لإطفاء الموقد، أدر المفتاح (المفاتيح) على الوضع "0".

جدول الطهي

نوع الطهي	المفتاح (1-12)
إذابة الذبدة والشيكولاتة وما إلى ذلك.	1 - 2
الحفاظ على الطعام دافئا وإعادة تسخين الكميات الصغيرة من السوائل.	2 - 3 - 4
تسخين كميات أكبر وعمل الكاستر والصلصات.	4 - 5 - 6
الغلي اللطيف، على سبيل المثال: الخضروات المسلوقة، السباغيتي، والشوربة، والمحمصات في الواني، واليخنات.	6 - 7
بالنسبة لجميع الأطعمة المحمرة والأضلع وشرائح اللحم، الطهي بدون استخدام الغطاء، على سبيل المثال: الرززية.	7 - 8
لتحمير اللحوم وتحميص البطاطس والسّمك المقلي ولغلي الكميات الكبيرة من الماء.	8 - 9 - 10
القلي السريع، شوي شرائح اللحم، ما إلى ذلك.	11 - 12

- السكر أو الأطعمة التي بها نسبة عالية من السكر تتسبب في إلحاق الضرر بالموقد ويجب إزالتها على الفور.
- الملح والسكر والرمل يمكن أن تخدش السطح الزجاجي.
- استخدم قطعة فماش ناعمة أو ورق مطبخ له قدرة على الامتصاص أو منظف خاص بالموقد (اتباع إرشادات الجهة الصانعة).
- انسكاب السوائل على نطاقات الطهي قد يتسبب في تحريك الإناء أو اهتزازه.
- قم بتجفيف الموقد بعناية بعد تنظيفه.

⚠️ افصل الجهاز عن مصدر الإمداد بالكهرباء.

- لا تستخدم أجهزة التنظيف البخار.
- لا تستخدم إسفنجات خشنة أو حشوات تنظيف خادشة لأنها قد تلحق الضرر بالزجاج.
- بعد كل استخدام، قم بتنظيف الموقد (عندما يبرد) لإزالة أية ترسبات أو بقع ناتجة عن بقايا الأطعمة.

دليل تحري الأعطال

أدر المفتاح متعدد الأقطاب على "Off" (إيقاف) لعدة دقائق ثم أعد تدويره على "On" (بدء).

إذا لم يعمل الموقد بشكل صحيح، فارجع إلى دليل التغلب على الأعطال لتحديد المشكلة، وذلك قبل الاتصال بخدمة ما بعد البيع.

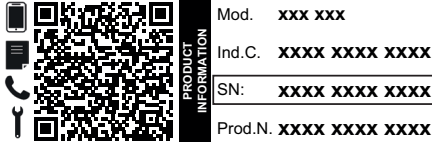
الموقد ال يتوقف: افصل الموقد فوراً عن مصدر الكهرباء.

- اقرأ واتباع التعليمات الواردة في جزء "الاستخدام اليومي".
- تأكد من عدم قطع مصدر إمداد الكهرباء.
- أوقف الجهاز، ثم أعد تشغيله مرة أخرى للتأكد من إتمام معالجة المشكلة أم لا.
- تأكد أن المفتاح غير موضوع على "0".

خدمة ما بعد البيع

الرقم التسلسلي (الرقم بعد كلمة NS على لوحة التصنيف الموجودة أسفل الجهاز). كما تم الإشارة إلى الرقم التسلسلي أيضاً في الوثائق،

للحصول على مزيد من المساعدة والدعم الشامل، يرجى تسجيل منتجك على الموقع www.whirlpool.eu/register



قبل الاتصال بخدمة ما بعد البيع:

1. تحقق مما إذا كان بمقدورك حل المشكلة بنفسك بمساعدة الاقتراحات المقدمة في دليل التغلب على الأعطال.
2. أوقف الجهاز، ثم أعد تشغيله مرة أخرى للتحقق مما إذا كان العطل لا يزال قائماً.

- عنوانك بالكامل،
- رقم هاتفك.

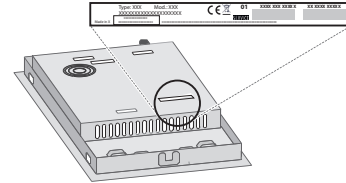
إذا كان العطل لا يزال قائماً بعد القيام بالفحوصات المذكورة أعلاه، فاتصل بأقرب مركز لخدمة ما بعد البيع.

عند الحاجة للقيام بأية إصلاحات، يرجى الاتصال بأحد مراكز خدمة ما بعد البيع المعتمدة (لضمان استخدام قطع الغيار الأصلية وتنفيذ الإصلاحات بشكل صحيح).

للحصول على المساعدة اتصل بالرقم المبين في كتيب الضمان أو اتبع التعليمات الموجودة على الموقع الإلكتروني www.whirlpool.eu

عند الاتصال بخدمة ما بعد البيع، يرجى دئماً تحديد ما يلي:

- وصف مختصر للعطل،
- نوع الجهاز وطرازه بدقة،



يمكن العثور على السياسات والمستندات القياسية ومعلومات المنتج الإضافية من خلال:

- استخدام كود الاستجابة السريعة بجهازك،
- زيارة موقعنا eu.whirlpool.docs
- وكيدول، يمكنك الاتصال بخدمة ما بعد البيع لدينا (راجع رقم التليفون في كتيب الضمان). يرجى عند الاتصال بخدمة ما بعد البيع ذكر الأكواد المذكورة على لوحة تمييز المنتج.