

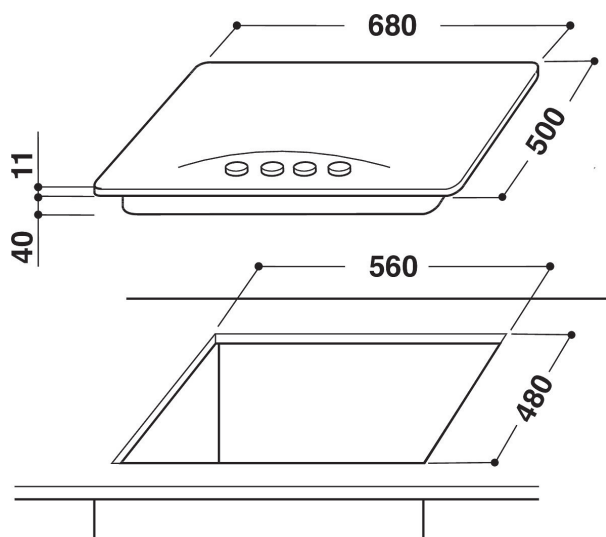
AKM 394/NA

12NC: 857139438700

GTIN (EAN) code: 8003437930744

Whirlpool

SENSING THE DIFFERENCE



Whirlpool gas hob: 5 gas burners - AKM 394/NA

This Whirlpool gas Hob features: wok cooking adapter, specifically tailored for wok use.



Double zone G0

Versatile cooking experience. This Whirlpool Hob features the versatile Double Zone G0, providing 2 separate heat zones, so you can easily cook with both large and small pots and pans.



Wok Cooking

This hob comes with a wok burner and is perfect for stir fries and all fast cooking requirements.



Front Controls

Complete control over your cooking. Easily accessible and genuinely intuitive, the controls are conveniently positioned on the front panel of your hob, providing a frictionless cooking experience.

- Cast Iron Pan Supports
- Electromagnetic safety device for each burner
- Wok grid adapter
- Black/Bronze knobs
- 3 Rectangular Cast Iron grids
- Front controls
- 70 cm hob
- Mechanical control
- Ignition type: knob
- 5 Burners
- 5 burners: 1 Auxiliary 1000 W burner, 1 Rapid 3000 W burner, 1 Semirapid 1650 W burner, 1 Semirapid 1650 W burner, and 1 Triple crown 3300 W burner.
- Supply cord included
- Dimensions HxWxD: 41x680x500 mm
- Niche dimensions HxWxD: 30x560x480 mm
- Voltage: 230 V

AKM 394/NA

12NC: 857139438700

GTIN (EAN) code: 8003437930744

Whirlpool

SENSING THE DIFFERENCE

MAIN FEATURES

Product group	Hob
Construction type	Built-in
Type of control	Mechanical
Type of control settings	N/A
Number of gas burners	5
Number of electric cooking zones	0
Number of electric plates	0
Number of radiant plates	0
Number of halogen plates	0
Number of induction plates	0
Number of electric warming zones	0
Location of control panel	Front
Basic surface material	Enamelled
Main colour of product	New anthracite
Electrical connection rating (W)	0
Gas connection rating (W)	10600
Current (A)	0
Voltage (V)	230
Frequency (Hz)	50
Length of Electrical Supply Cord (cm)	0
Plug type	No
Gas connection	Cilindric
Width of the product	680
Height of the product	41
Depth of the product	500
Minimum niche height	30
Minimum niche width	560
Niche depth	480
Net weight (kg)	13.6
Automatic programmes	No

TECHNICAL FEATURES

Power on indicator	No
Number of indicators	0
Type of regulation	Temperature regulated
Type of lid	Glass
Residual heat indicator	Without
Main on/off switch	No
Safety device	Yes
Timer	No

PERFORMANCES

Energy input	Gas
--------------	-----