

AKT 310/IX

12NC: 859991040860

GTIN (EAN) code: 8003437809286

Whirlpool

SENSING THE DIFFERENCE



Whirlpool hob: 2 electric rings - AKT 310/IX

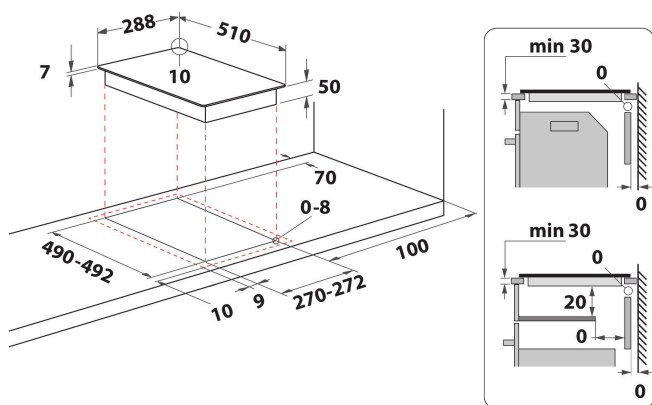
This Whirlpool Hob features: 2 electric rings. Electric power supply.

Stainless Steel

For the stylish modern look in your kitchen.

Front Controls

Complete control over your cooking. Easily accessible and genuinely intuitive, the controls are conveniently positioned on the front panel of your hob, providing a frictionless cooking experience.



- Residual heat indicator
- On/Off Switch
- Front controls
- 30 cm hob
- Mechanical control
- Inox Hob
- 2 Plate on Indicator
- Supply cord included
- 2 electric plates
- 2 Cooking zones: 1 Rapid 1200 W, 1 Rapid 1700 W
- Dimensions HxWxD: 57x288x510 mm
- Niche dimensions HxWxD: 50x270x490 mm
- Electrical Connection Rating: 2900 W
- Voltage: 220-240 V

AKT 310/IX

12NC: 859991040860

GTIN (EAN) code: 8003437809286

Whirlpool

SENSING THE DIFFERENCE

MAIN FEATURES

Product group	Hob
Construction type	Built-in
Type of control	Mechanical
Type of control settings	-
Number of gas burners	0
Number of electric cooking zones	2
Number of electric plates	2
Number of radiant plates	0
Number of halogen plates	0
Number of induction plates	0
Number of electric warming zones	0
Location of control panel	Front
Basic surface material	Inox
Main colour of product	Inox
Electrical connection rating (W)	2900
Gas connection rating (W)	0
Gas type	N/A
Current (A)	0,2
Voltage (V)	220-240
Frequency (Hz)	50/60
Length of Electrical Supply Cord (cm)	85
Plug type	No
Gas connection	N/A
Width of the product	288
Height of the product	57
Depth of the product	510
Minimum niche height	50
Minimum niche width	270
Niche depth	490
Net weight (kg)	8.5
Automatic programmes	No

TECHNICAL FEATURES

Power on indicator	No
Number of indicators	2
Type of regulation	Stepless energy regulated
Type of lid	Without
Residual heat indicator	Separate
Main on/off switch	Yes
Safety device	-
Timer	No

PERFORMANCES

Energy input	Electric
--------------	----------