

SAFETY INSTRUCTIONS

IMPORTANT TO BE READ AND OBSERVED

⚠ These instructions are valid if the country symbol appears on the appliance. If the symbol doesn't appear on the appliance, it is necessary to refer to the technical instructions which will provide the necessary instructions concerning modification of the appliance to the conditions of use of the country.

⚠ CAUTION: The use of the gas cooking appliance results in the production of heat, moisture and products of combustion in the room in which it is installed. Ensure that the kitchen is well ventilated especially when the appliance is in use: keep natural ventilation holes open or install a mechanical ventilation device (mechanical extractor hood). Prolonged intensive use of the appliance may call for additional ventilation, such as opening a window, or more effective ventilation, for example increasing the level of mechanical ventilation (if possible).

⚠ Failure to follow the information in this manual exactly may cause a fire or explosion, resulting in property damage or personal injury.

Before using the appliance, read these safety instructions. Keep them nearby for future reference.

These instructions and the appliance itself provide important safety warnings, to be observed at all times. The manufacturer declines any liability for failure to observe these safety instructions, for inappropriate use of the appliance or incorrect setting of controls.

⚠ WARNING: If the hob surface is cracked, don't use the appliance – risk of electrical shock.

⚠ WARNING: Danger of fire: Do not store items on the cooking surfaces.

⚠ CAUTION: The cooking process has to be supervised. A short cooking process has to be supervised continuously.

⚠ WARNING: Unattended cooking on a hob with fat or oil can be dangerous – risk of fire. NEVER try to extinguish a fire with water, but switch off the appliance and then cover flame e.g. with a lid or a fire blanket.

⚠ Do not use the hob as a work surface or support. Keep clothes or other flammable materials away from the appliance, until all the components have cooled down completely – risk of fire.

⚠ Very young children (0-3 years) should be kept away from the appliance. Young children (3-8 years) should be kept away from the appliance unless continuously supervised. Children from 8 years old and above and persons with reduced physical, sensory or mental capabilities or lack of experience and knowledge can use this appliance only if they are supervised or have been given instructions on safe use and understand the hazards involved. Children must not play with the appliance. Cleaning and user maintenance must not be carried out by children without supervision.

⚠ CAUTION: In case of hotplate glass breakage: shut immediately off all burners and any electrical heating element and isolate the appliance from the power

supply; do not touch the appliance surface; do not use the appliance.

The glass lid can break in if it is heated up. Turn off all the burners and the electric plates before closing the lid. Do not shout down lid when burner alight.

⚠ WARNING: The appliance and its accessible parts become hot during use. Care should be taken to avoid touching heating elements. Children less than 8 years of age must be kept away unless continuously supervised.

⚠ The food must not be left in or on the product for more than one hour before or after cooking.

PERMITTED USE

⚠ CAUTION: the appliance is not intended to be operated by means of an external switching device, such as a timer, or separate remote controlled system.

⚠ This appliance is intended to be used in household and similar applications such as: staff kitchen areas in shops, offices and other working environments; farm houses; by clients in hotels, motels, bed & breakfast and other residential environments.

⚠ No other use is permitted (e.g. heating rooms).

⚠ This appliance is not for professional use. Do not use the appliance outdoors.

⚠ Use pots and pans with bottoms the same width as that of the burners or slightly larger (see specific table). Make sure pots on the grates do not protrude beyond the edge of the hob.

⚠ Improper use of the grids can result in damage to the hob: do not position the grids upside down or slide them across the hob.

Do not let the burner flame extend beyond the edge of the pan.

If the hob surface is in glass material, do not use the cast iron griddles, ollar stones, terracotta pots and pans.

Do not use: heat diffusers such as metal mesh, or any other types; two burners simultaneously for one receptacle (e.g. Fish kettle).

Should particular local conditions of the delivered gas make the ignition of burner difficult, it is advisable to repeat the operation with the knob turned to small flame setting.

In case of installation of a hood above the cooktop, please refer to the hood instructions for the correct distance.

The protective rubber feet on the grids represent a choking hazard for young children. After removing the grids, please ensure that all the feet are correctly fitted.

INSTALLATION

⚠ The appliance must be handled and installed by two or more persons - risk of injury. Use protective gloves to unpack and install - risk of cuts.

⚠ The electrical and gas connections must comply with local regulation.

⚠ Installation, including water supply (if any) and electrical connections, and repairs must be carried out by a qualified technician. Do not repair or replace any part of the appliance unless specifically stated in the user manual. Keep children away from the installation site. After unpacking the appliance, make sure that it has not been damaged during transport. In the event of problems, contact the dealer or your nearest After-sales Service. Once installed, packaging waste (plastic, styrofoam parts etc.) must be stored out of reach of children - risk of suffocation. The appliance must be disconnected from

the power supply before any installation operation - risk of electrical shock. During installation, make sure the appliance does not damage the power cable - risk of fire or electrical shock. Only activate the appliance when the installation has been completed.

⚠ **WARNING:** Modification of the appliance and its method of installation are essential in order to use the appliances safely and correctly in all the additional countries.

⚠ Use pressure regulators suitable for the gas pressure indicated in the instruction.

⚠ The room must be equipped with an air extraction system that expels any combustion fumes.

⚠ The room must also allow proper air circulation, as air is needed for combustion to occur normally. The flow of air must not be less than 2 m³/h per kW of installed power.

⚠ The air circulation system may take air directly from the outside by means of a pipe with an inner cross section of at least 100 cm²; the opening must not be vulnerable to any type of blockages.

⚠ The system can also provide the air needed for combustion indirectly, i.e. from adjacent rooms fitted with air circulation tubes as described above. However, these rooms must not be communal rooms, bedrooms or rooms that may present a fire hazard.

⚠ Liquid petroleum gas sinks to the floor as it is heavier than air. Therefore, rooms containing LPG cylinders must also be equipped with vents to allow gas to escape in the event of a leak. As a result LPG cylinders, whether partially or completely full, must not be installed or stored in rooms or storage areas that are below ground level (cellars, etc.). It is advisable to keep only the cylinder being used in the room, positioned so that it is not subject to heat produced by external sources (ovens, fireplaces, stoves, etc.) which could raise the temperature of the cylinder above 50°C.

Should you experience difficulty in turning the burners knobs, please contact After Sales Service for replacement of the burner tap if found to be faulty.

The openings used for the ventilation and dispersion of heat must never be covered.

⚠ Carry out all cabinet cutting works before fitting the appliance in the furniture and remove all wood chips and sawdust.

⚠ If the appliance is not installed above an oven, a separator panel (not included) must be installed in the compartment under the appliance.

GAS CONNECTION

⚠ **WARNING:** Prior to installation, ensure that the local distribution conditions (type of gas and gas pressure) and the adjustment of the appliance are compatible.

⚠ Check that the pressure of the gas supply is consistent with the values indicated in "Burner and nozzle specifications" table.

⚠ **WARNING:** The configuration conditions for this appliance are stated on the label (or data plate).

⚠ **WARNING:** This appliance is not connected to a combustion products evacuation device. It must be installed and connected in accordance with current installation regulations. Particular attention must be paid to the relevant requirements regarding ventilation.

⚠ If the appliances is connected to liquid gas, the regulation screw must be fastened as tightly as possible.

⚠ **IMPORTANT:** When the gas cylinder or gas container is installed, it must be properly settled (vertical orientation).

⚠ **WARNING:** This operation must be performed by a qualified technician.

⚠ Use only flexible or rigid metal hose for gas connection.

⚠ Connection with a rigid pipe (copper or steel) Connection to the gas system must be carried out in such a way as not to place any strain of any kind on the appliance. There is an adjustable L-shaped pipe fitting on the appliance supply ramp and this is fitted with a seal in order to prevent leaks. The seal must always be replaced after rotating the pipe fitting (the seal is provided with the appliance). The gas supply pipe fitting is a threaded 1/2 gas cylindrical male attachment.

⚠ Connecting a flexible jointless stainless steel pipe to a threaded attachment. The gas supply pipe fitting is a threaded 1/2 gas cylindrical male attachment. These pipes must be installed so that they are never longer than 2000 mm when fully extended. Once connection has been carried out, make sure that the flexible metal pipe does not touch any moving parts and is not compressed. Only use pipes and seals that comply with current National regulations.

⚠ **IMPORTANT:** If a stainless steel hose is used, it must be installed so as not to touch any mobile part of the furniture (e.g. drawer). It must pass through an area where there are no obstructions and where it is possible to inspect it on all its length.

⚠ The appliance should be connected to the main gas supply or to gas cylinder in compliance with the current national regulations. Before making the connection, make sure that the appliance is compatible with the gas supply you wish to use. If this is not the case, follow the instructions indicated in the paragraph "Adapting to different types of gas".

⚠ After connection to the gas supply, check for leaks with soapy water. Light up the burners and turn the knobs from maximum position 1* to minimum position 2* to check flame stability.

ADAPTING TO DIFFERENT TYPES OF GAS

(This operation needs to be carried out by a qualified technician).

⚠ In order to adapt the appliance to a type of gas other than the type for which it was manufactured (indicated on the rating label), follow the dedicated steps provided after installation drawings.

ELECTRICAL WARNINGS

⚠ **IMPORTANT:** Information about current and voltage consumption is provided on the rating plate.

⚠ It must be possible to disconnect the appliance from the power supply by unplugging it if plug is accessible, or by a multi-pole switch installed upstream of the socket in accordance with the wiring rules and the appliance must be earthed in conformity with national electrical safety standards.

⚠ The power cable must be long enough to connect the appliance, once fitted in its housing, to the main power supply. Do not pull the power supply cable.

⚠ Do not use extension leads, multiple sockets or adapters. The electrical components must not be accessible to the user after installation. Do not use the appliance when you are wet or barefoot. Do not operate this appliance if it has a damaged power cable or plug, if it is not working properly, or if it has been damaged or dropped.

⚠ If the supply cord is damaged, it must be replaced with an identical one by the manufacturer, its service agent or similarly qualified persons in order to avoid a hazard - risk of electrical shock.


CLEANING AND MAINTENANCE

⚠ **WARNING:** Ensure that the appliance is switched off and disconnected from the power supply before performing any maintenance operation; never use steam cleaning equipment - risk of electric shock.

⚠ Do not use abrasive or corrosive products, chlorine-based cleaners or pan scourers.

⚠ To avoid damaging the electric ignition device, do not use it when the burners are not in their housing.

DISPOSAL OF PACKAGING MATERIALS


The packaging material is 100% recyclable and is marked with the recycle symbol .

The various parts of the packaging must therefore be disposed of responsibly and in full compliance with local authority regulations governing waste disposal.

DISPOSAL OF HOUSEHOLD APPLIANCES

This appliance is manufactured with recyclable or reusable materials. Dispose of it in accordance with local waste disposal regulations. For further information on the treatment, recovery and recycling of household electrical appliances, contact your local authority, the collection service for household waste or the store where you purchased the appliance. This appliance is marked in compliance with European Directive 2012/19/EU, Waste Electrical and Electronic Equipment (WEEE) and with the Waste Electrical and Electronic Equipment regulations 2013 (as amended).

By ensuring this product is disposed of correctly, you will help prevent negative consequences for the environment and human health.

The symbol  on the product or on the accompanying documentation indicates that it should not be treated as domestic waste but must be taken to an appropriate collection center for the recycling of electrical and electronic equipment.

ENERGY SAVING TIPS

Use pots and pans with bottom width equal to that of the cooking zone.

Only use flat-bottomed pots and pans.

When possible, keep pot lids on during cooking.

Use a pressure cooker to save even more energy and time.

DECLARATION OF CONFORMITY

This appliance meets Ecodesign requirements of European Regulation 66/2014 and The Ecodesign for Energy-Related Products and Energy Information (Amendment) (EU Exit) Regulations 2019 in compliance with the European standard EN 30-2-1.

The information related to low power mode of the appliance in accordance with Regulation (EU) 2023/826 can be found in the following link: <https://docs.emeaappliance-docs.eu>.

BURNER AND NOZZLE SPECIFICATIONS
CATEGORY II2H3+

Type of gas used	Type of burner	Injector marking	Rated thermal flow rate kW	Rated consumption	Reduced heat capacity kW	Gas pressure mbar		
						min.	rat.	max.
NATURAL GAS (Methane) G20	Rapid (R)	128 B	3,00	286 l/h	0,70	17	20	25
	Semi-rapid (SR)	97 A	1,65	157 l/h	0,40			
	Auxiliary (AUX)	78 A	1,00	95 l/h	0,40			
	2 Ring (DC)	168 Z1	4,80	457 l/h	2,20			
LIQUEFIED PETROLEUM GAS (Butane) G30	Rapid (R)	85 A	3,00	218 g/h	0,70	20	28-30	35
	Semi-rapid (SR)	66 A	1,65	120 g/h	0,40			
	Auxiliary (AUX)	50	1,00	73 g/h	0,40			
	2 Ring (DC)	107	4,50	327 g/h	2,20			
LIQUEFIED PETROLEUM GAS (Propane) G31	Rapid (R)	85 A	3,00	214 g/h	0,70	25	37	45
	Semi-rapid (SR)	66 A	1,65	118 g/h	0,40			
	Auxiliary (AUX)	50	1,00	71 g/h	0,40			
	2 Ring (DC)	107	4,50	321 g/h	2,20			

Type of gas used	Model configuration 5 BURNERS	Rated thermal flowrate (kW)	Total rated consumption	Air required (m ³) for burning 1m ³ of gas
G20 20 mbar	1R - 2SR - 1AUX - 1DC	12,10	1152 l/h	9,52
G30 28-30 mbar	1R - 2SR - 1AUX - 1DC	11,80	858 g/h	30,94
G31 37 mbar	1R - 2SR - 1AUX - 1DC	11,80	843 g/h	23,80

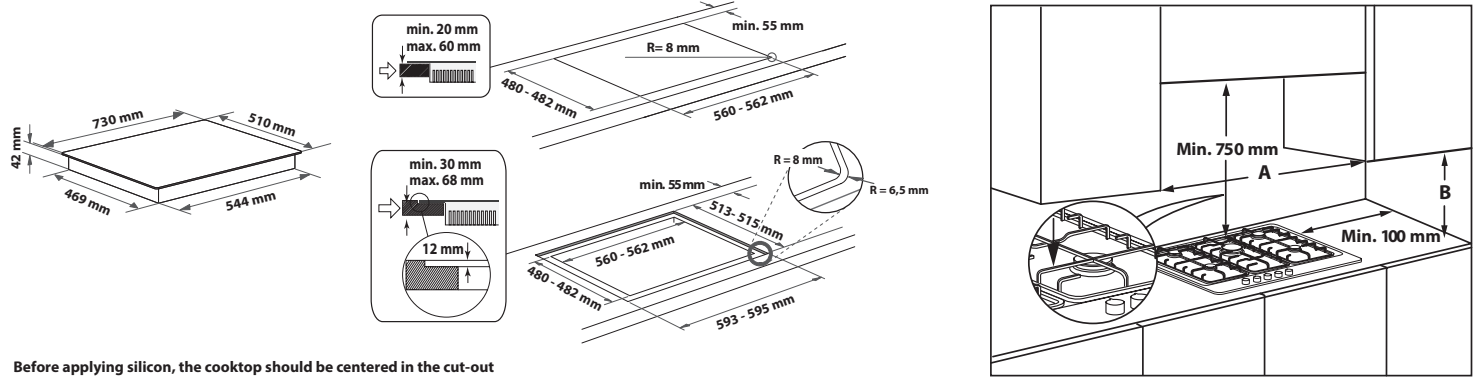
ELECTRIC SUPPLY: 220-240 V ~ 50-60 Hz - 0,6W


INSTALLATION (CLASS 3)

TECHNICAL INFORMATION FOR THE INSTALLER

- Use protective gloves for handling, preparing, and installing the product.
- This product can be embedded in a worktop 20 ÷ 60 mm thick with standard installation. For flush installation 30 ÷ 68 mm.
- If there is no oven beneath the hob, insert a separator panel with a surface at least equal to the work surface's opening. This panel must be positioned at a maximum distance of 150 mm below the upper surface of the work surface but, in no case less than 20 mm from the bottom of the hob. In case you intend to install an oven beneath the hob, make sure that it is equipped with a cooling system.

DIMENSIONS AND DISTANCES TO BE MAINTAINED



Before applying silicon, the cooktop should be centered in the cut-out

NOTE: If distance "A" between the kitchen cabinets is between 600 mm and 730 mm, height "B" must be at least 530 mm. If distance "A" between the kitchen cabinets is greater than the width of the hob, height "B" must be at least 400 mm. If a hood is installed above the hob, refer to the assembly instructions for the hood to see the necessary distance.

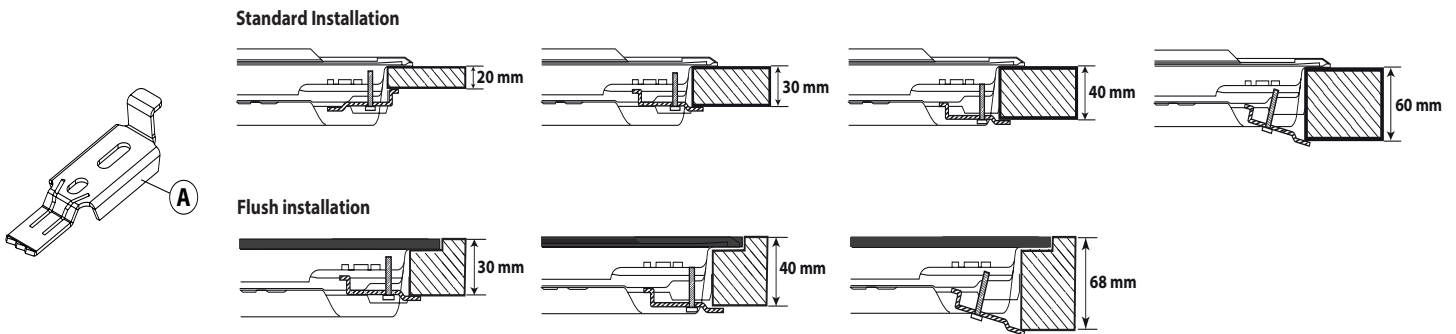
ASSEMBLY

After cleaning the perimeter surface, apply the supplied gasket to the hob as shown in the figure.

Position the hob in the worktop opening made respecting the dimensions indicated in the Instruction.

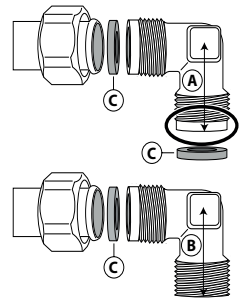
NOTE: the power supply cable must be long enough to permit its upward extraction.

To secure the hob, use the brackets (A) provided with it. Fit the brackets into the relevant bores shown by the arrow and fasten them by means of their screws in accordance with the thickness of the worktop (see the following figures).

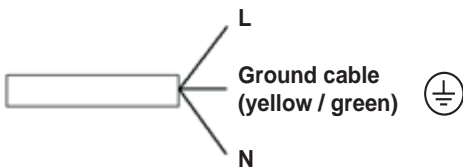


GAS CONNECTION

- Connect elbow (A)* or (B)* supplied with to the hob inlet main pipe and interpose the washer (C) supplied, in compliance with EN 549.
- * Use elbow (A) for France and elbow (B) for all other destinations.
- After connection to the gas supply, check for leaks with soapy water. Light up the burners and turn the knobs from maximum position to minimum position to check flame stability.



ELECTRICAL CONNECTION





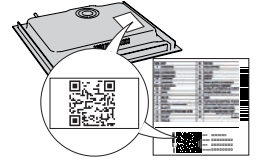
THANK YOU FOR BUYING A WHIRLPOOL PRODUCT

In order to receive a more complete assistance, please register your product on www.register10.eu.

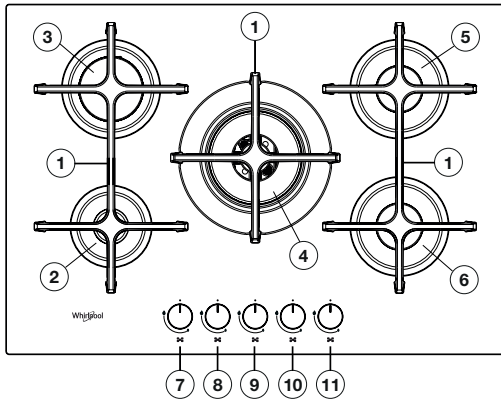


Before using the appliance carefully read the Safety Instruction.

PLEASE SCAN THE QR CODE ON YOUR APPLIANCE IN ORDER TO REACH MORE INFORMATION



PRODUCT DESCRIPTION



1. Removable panstand grids
2. Auxiliary burner
3. Rapid burner
4. 2 Ring burner
5. Semi-rapid burner
6. Semi-rapid burner
7. Auxiliary burner control knob
8. Rapid burner control knob
9. 2 Ring burner control knob
10. Semi-rapid burner control knob
11. Semi-rapid burner control knob

Symbols

- Shaded circle ● Tap closed
- Large flame 🔥 Maximum opening/delivery and electric ignition
- Small flame 🔥 Minimum opening or reduced delivery



DAILY USE

HOW TO USE THE HOB

⚠ Do not let the burner flame extend beyond the edge of the pan.

IMPORTANT: when the hob is in use, the entire hob area may become hot.

- To ignite one of the burners, turn the relative knob anti-clockwise to the maximum flame setting.
- Press the knob against the control panel to ignite the burner.
- After the burner has ignited, keep the knob pressed for about 5-10 seconds to allow proper device operation.
- This burner safety device shuts off the gas supply to the burner if the flame goes out accidentally (because of sudden draught, an interruption in the gas delivery, boiling over liquids, etc.).
- **The knob must not be pressed for more than 15 sec. If, after that time has elapsed, the burner does not remain lit, wait at least one minute before trying to light it again.**

NOTE: should particular local conditions of the delivered gas make the ignition of burner difficult, it is advisable to repeat the operation with the knob turned to the small flame setting.

The burner might go out when the knob is released. This means that the safety device has not warmed up enough. In this case, repeat the operations described above.

If the burner flame is accidentally extinguished, switch off the burner control and do not try to ignite for at least 1 minute.

PRACTICAL ADVICE FOR USING THE BURNERS

This hob has burners of different diameters. For better burner performance, please stick to the following rules:

- use pots and pans with bottoms the same width as that of the burners or slightly larger (see table on the right);
- only use flat-bottomed pots and pans;
- use the correct amount of water for cooking foods and keep the pot covered;
- make sure pots on the grates do not protrude beyond the edge of the hob;
- In the case of pans with convex bottoms (WOK), use the support grille (not provided), which should be positioned only on the multi-ring burner;
- avoid accidentally knocking the hob with pans, racks or other kitchen utensils;
- do not leave empty steak grills over the lit burner for longer than 5 minutes.

IMPORTANT: improper use of the grids can damage the hob: do not position the grids upside down or slide them across the hob.

BURNER	POT Ø
2 Ring	From 24 to 26 cm
Rapid	From 24 to 26 cm
Semi-rapid	From 16 to 22 cm
Auxiliary	From 8 to 14 cm

Do not use:

- cast iron griddles, ollar stones, terracotta pots and pans;
- heat diffusers such as metal mesh, or any other types;
- two burners simultaneously for one receptacle (e.g. fish kettle).

Liquids spilled on hot hob area can cause glass damage.

ADAPTING TO DIFFERENT TYPES OF GAS

⚠ This operation must be performed by a qualified technician.

If the appliance is intended to operate with a different gas from the gas type stated on the rating plate and information label on the top of the hob, change the injectors.

Remove the information label and keep it with the instructions booklet.

Use pressure regulators suitable for the gas pressure indicated in the Instruction:

- the gas injector must be changed by After Sales Service or a qualified technician;
- injector not supplied with the appliance must be ordered from After Sales Service;
- adjust the minimum setting of the taps.

NOTE: when liquid petroleum gas is used (G30/G31), the minimum gas setting screw must be tightened as far as it will go.

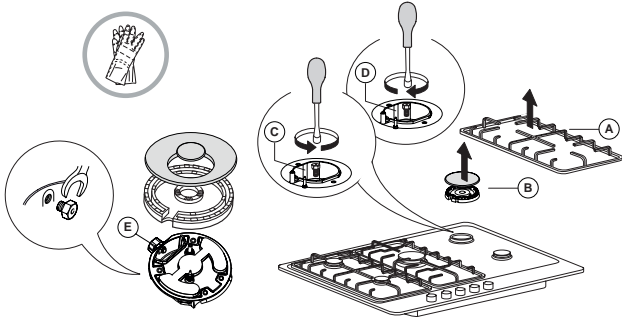
IMPORTANT: should you experience difficulty in turning the burners knobs, please contact the After Sales Service for the replacement of the burner tap if found to be faulty.

IMPORTANT: when gas cylinder is adopted, the gas cylinder or gas container must be properly settled (vertical orientation).

REPLACING THE INJECTORS (see the injector table in the Safety instructions)

⚠ This operation must be performed by a qualified technician.

- Remove grids (A).
- Extract burners (B).
- Using a socket spanner of the appropriate size unscrew the injector (C), to be replaced.
- Replace it with the injector suitable for the new type of gas.
- Re-assemble the injector in (D).
- If you have a multiple crown burner, use a side spanner to replace the injector (E).



Before installing the hob, remember to affix the gas calibration plate supplied with the injectors in such a way that it covers the existing information relating to gas calibration.

CLEANING AND MAINTENANCE

⚠ Disconnect the appliance from the power supply.

CLEANING THE HOB SURFACE

- All the enamelled and glass parts should be cleaned with warm water and a neutral solution.
- Stainless steel surfaces may be stained by calcareous water or aggressive detergents if left in contact for too long. Any food spills (water, sauce, coffee, etc.) should be wiped away before they dry.
- Clean with warm water and neutral detergent, and then dry with a soft cloth or chamois. Remove baked-on dirt with specific cleaners for stainless steel surfaces.

NOTE: clean stainless steel only with soft cloth or sponge.

- Do not use abrasive or corrosive products, chlorine-based cleaners or pan scourers.
- Do not use steam cleaning appliances.
- Do not use flammable products.
- Do not leave acid or alkaline substances, such as vinegar, mustard, salt, sugar or lemon juice on the hob.

TROUBLESHOOTING

If the hob does not operate correctly, before calling the After-Sales Service, refer to the Troubleshooting Guide to determine the problem

1. The burner fails to ignite, or the flame is not even

Check that:

- the gas or electrical supplies are not shut off and especially that the gas supply tap is open;
- the gas cylinder (liquid gas) is not empty;
- the burner openings are not clogged;
- the plug end is not dirty;
- all the burner parts have been positioned correctly;
- there are no draughts near the hob.

2. The burner does not stay lit

Check that:

- when lighting the burner, the knob has been pressed for enough time to activate the protection device;
- the burner openings are not clogged near the thermocouple;
- the end of the safety device is not dirty;
- the minimum gas setting is correct (see relevant paragraph).

ADJUSTING MINIMUM GAS SETTING OF TAPS

⚠ This operation must be performed by a qualified technician.

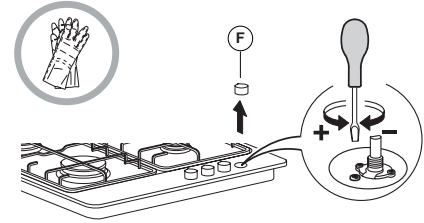
The adjustment must be performed with the tap in a minimum gas setting position ⚡ (small flame).

The primary air of the burners does not need to be adjusted.

To ensure that the minimum setting is correctly adjusted, remove the knob (F) and proceed as follows:

- tighten the screw to reduce the flame height (-);
- loosen the screw to increase the flame height (+).

At this stage, light up the burners and turn the knobs from maximum position ⚡ to minimum position ⚡ to check flame stability.



Upon completion of adjustment, reseal using sealing wax or an equivalent material.

CLEANING THE HOB PARTS

- Clean glass and enamelled parts only with soft cloth or sponge.
- Grids, burner caps and burners can be removed to be cleaned.
- Clean them by hand with warm water and non-abrasive detergent, removing any food residues and checking that none of the burner openings is clogged.
- Rinse and dry.
- **The cast-iron grates may be cleaned in the dishwasher. Remove any burnt-on food before placing the grates in the lowest rack in the dishwasher.**
- Refit burners and burner caps correctly in the respective housings.
- When replacing the grids, make sure that the panstand area is aligned with the burner.
- Models equipped with electrical ignition plugs and safety device require thorough cleaning of the plug end in order to ensure correct operation. Check these items frequently, and if necessary, clean them with a damp cloth. Any baked-on food should be removed with a toothpick or needle.

NOTE: to avoid damaging the electric ignition device, do not use it when the burners are not in their housing.

3. The containers are not stable

Check that:

- the bottom of the container is perfectly flat;
- the container is centred on the burner;
- the grids have not been exchanged or positioned incorrectly.

If after the above checks the fault still occurs, get in touch with the nearest After Sales Service.

AFTER-SALES SERVICE

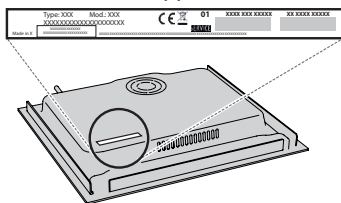
BEFORE CALLING THE AFTER-SALES SERVICE:

1. See if you can solve the problem by yourself with the help of the **TROUBLESHOOTING** suggestions.
2. Switch the appliance off and back on again to see if the fault persists.

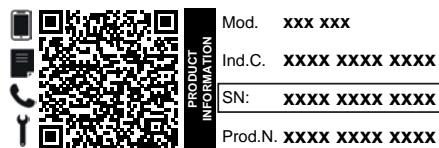
IF AFTER THE ABOVE CHECKS THE FAULT STILL OCCURS, GET IN TOUCH WITH THE NEAREST AFTER-SALES SERVICE.

When contacting our Client After-sales service, always specify:

- a brief description of the fault;
- the type and exact model of the appliance;



- the serial number (number after the word SN on the rating plate located under the appliance). The serial number is also indicated in the documentation;



- your full address;
- your telephone number.

If any repairs are required, please contact an authorized after-sales service (to guarantee that original spare parts will be used and repairs carried out correctly).

Policies, standard documentation and additional product information can be found by:

- Using QR code in your appliance;
- Visiting our website docs.whirlpool.eu/docs;
- Alternatively, **contact our After-sales Service** (See phone number in the warranty booklet). When contacting our After-sales Service, please state the codes provided on your product's identification plate.



®/TM/ © 2024 Whirlpool. Produced under license.

CONSIGNES DE SÉCURITÉ

IMPORTANT - À LIRE ET À RESPECTER

⚠ Ces directives s'appliquent si le symbole du pays apparaît sur l'appareil. Si le symbole du pays n'apparaît pas sur l'appareil, vous devez vous référer aux consignes techniques qui contiennent les instructions nécessaires concernant la modification de l'appareil afin de se conformer aux conditions d'utilisation du pays.

⚠ **MISE EN GARDE:** L'utilisation d'appareil de cuisson au gaz génère de la chaleur, de l'humidité, et des produits de la combustion dans la pièce dans laquelle il est installé. Assurez-vous que la cuisine est bien aérée, surtout lorsque vous utilisez l'appareil : gardez les trous de ventilations ouverts ou installez un dispositif de ventilation mécanique (hotte de ventilation). Une utilisation intensive et prolongée peut nécessiter une ventilation supplémentaire, comme ouvrir une fenêtre, ou une ventilation plus efficace, par exemple en augmentant le niveau de ventilation mécanique (si possible).

⚠ Le non-respect des informations du présent manuel peut provoquer un incendie ou une explosion, susceptible de provoquer un dommage aux biens ou des lésions personnelles.

Avant d'utiliser l'appareil, lire attentivement les consignes de sécurité. Conservez-les à portée pour consultation ultérieure.

Le présent manuel et l'appareil lui-même contiennent des consignes de sécurité importantes qui doivent être lues et observées en tout temps. Le Fabricant décline toute responsabilité si les consignes de sécurité ne sont pas respectées, en cas de mauvaise utilisation de l'appareil, ou d'un mauvais réglage des commandes.

⚠ **AVERTISSEMENT:** Ne pas utiliser la table de cuisson si la surface est cassée ou fissurée - risque de choc électrique.

⚠ **AVERTISSEMENT:** Risque d'incendie: Ne rangez aucun objet sur les surfaces de cuisson.

⚠ **ATTENTION:** La cuisson doit être supervisée. Une cuisson de courte durée doit être supervisée en tout temps.

⚠ **AVERTISSEMENT:** Une cuisson sans surveillance sur une table de cuisson contenant de la graisse ou de l'huile peut s'avérer dangereuse - risque d'incendie. N'essayez JAMAIS d'éteindre un feu avec de l'eau, mais éteignez l'appareil puis couvrez les flammes à l'aide d'un couvercle par ex. ou d'une couverture ignifuge.

⚠ Utilisez pas la table de cuisson comme surface de travail ou support. Gardez les vêtements et autres matières inflammables loin de l'appareil jusqu'à ce que toutes les composantes soient complètement refroidies - un incendie pourrait se déclarer.

⚠ Les enfants en bas âge (0-3 ans) doivent être tenus à l'écart de l'appareil. Les jeunes enfants (3-8 ans) doivent être tenus à l'écart de l'appareil sauf s'ils se trouvent sous surveillance constante. Les enfants âgés de 8 ans et plus, ainsi que les personnes présentant des capacités physiques, sensorielles ou mentales réduites, ou ne possédant ni l'expérience ni les connaissances requises, peuvent utiliser cet appareil seulement s'ils sont supervisés,

ou si une personne responsable leur a expliqué l'utilisation sécuritaire et les dangers potentiels de l'appareil. Ne laissez pas les enfants jouer avec l'appareil. Les enfants ne doivent pas nettoyer, ni procéder à l'entretien de l'appareil sans surveillance.

⚠ **MISE EN GARDE:** En cas de rupture du verre de la plaque de cuisson: éteignez immédiatement tous les brûleurs et la résistance électrique, et coupez l'alimentation électrique; veillez à ne pas toucher la surface de l'appareil; veillez à ne pas utiliser l'appareil.

Le couvercle en verre peut se casser s'il est surchauffé. Coupez tous les brûleurs et les plaques électriques avant de fermer le couvercle. Ne fermez pas le couvercle lorsqu'un brûleur est allumé.

⚠ **AVERTISSEMENT:** L'appareil, ainsi que ses parties accessibles, peuvent atteindre température élevée lors de l'utilisation. Évitez tout contact avec les éléments chauffants. Les enfants de moins de 8 ans doivent être tenus à l'écart de l'appareil, à moins d'être sous surveillance constante.

⚠ Les aliments ne doivent pas être laissés dans ou sur le produit pendant plus d'une heure avant ou après la cuisson.

USAGE AUTORISÉ

⚠ **MISE EN GARDE:** Cet appareil n'est pas conçu pour fonctionner à l'aide d'un dispositif de commutation externe, comme une minuterie ou un système de télécommande.

⚠ Cet appareil est destiné à un usage domestique et peut aussi être utilisé dans les endroits suivants: cuisines pour le personnel dans les magasins, bureaux et autres environnements de travail ; dans les fermes; par les clients dans les hôtels, motels, chambres d'hôtes, et autres résidences similaires.

⚠ Aucune autre utilisation n'est autorisée (p. ex. pour chauffer des pièces).

⚠ Cet appareil n'est pas conçu pour un usage professionnel. N'utilisez pas l'appareil en extérieur.

⚠ Utilisez des ustensiles de cuisson dont le fond dispose d'un diamètre égal ou légèrement supérieur à celui du foyer (voir le tableau suivant). Vérifiez que les ustensiles de cuisson ne dépassent pas de la table de cuisson.

⚠ Une utilisation inappropriée des grilles peut endommager la table de cuisson: ne positionnez pas les grilles sens dessus dessous ou ne les faites pas glisser sur la table de cuisson.

Ne laissez pas la flamme du brûleur dépasser du bord de la casserole.

Si la surface de la plaque de cuisson est en verre, n'utilisez pas les grilles en fonte, des pierres olaires, des casseroles et des poêles en terre cuite.

N'utilisez pas: de diffuseurs de chaleur comme des mailles métalliques ou tout autre type; deux brûleurs simultanément pour un seul récipient (par exemple, une poissonnière).

Si des conditions locales spéciales du gaz distribué rendent l'allumage du brûleur difficile, il est conseillé de répéter l'opération en plaçant le bouton sur la position petite flamme.

Avant d'installer une hotte au-dessus de la table de cuisson, veuillez vous référer au manuel d'utilisation de la hotte qui spécifie les distances adéquates.

Les pieds de protection en caoutchouc appliqués sur les grilles sont une source de danger potentiel pour les jeunes enfants. Après avoir enlevé les grilles, assurez-vous que tous les pieds sont correctement installés.

INSTALLATION

⚠ Deux personnes minimum sont nécessaires pour déplacer et installer l'appareil - risque de blessure. Utilisez des gants de protection pour le déballage et l'installation de l'appareil - vous risquez de vous couper.

⚠ Les branchements électriques et le raccordement au gaz doivent être réalisés conformément aux réglementations locales.

⚠ L'installation, incluant l'alimentation en eau (selon le modèle), et les connexions électriques, ainsi que les réparations, doivent être exécutées par un technicien qualifié. Ne procédez à aucune réparation ni à aucun remplacement de pièce sur l'appareil autres que ceux spécifiquement indiqués dans le guide d'utilisation. Gardez les enfants à l'écart du site d'installation. Après avoir déballé l'appareil, assurez-vous qu'il n'a pas été endommagé pendant le transport. En cas de problème, contactez votre revendeur ou le Service Après-Vente le plus proche. Une fois installé, gardez le matériel d'emballage (sacs en plastique, parties en polystyrène, etc.) hors de la portée des enfants - ils pourraient s'étouffer. L'appareil ne doit pas être branché à l'alimentation électrique lors de l'installation - vous pourriez vous électrocuter. Au moment de l'installation, assurez-vous que le câble d'alimentation n'est pas endommagé par l'appareil - vous pourriez vous électrocuter. Allumez l'appareil uniquement lorsque l'installation est terminée.

⚠ **AVERTISSEMENT:** Les modifications sur l'appareil et sur les méthodes d'installation sont essentielles pour utiliser l'appareil de façon sécuritaire et correctement dans tous les autres pays.

⚠ Utiliser des régulateurs de pression adéquats pour la pression de gaz indiquée dans les directives.

⚠ La pièce doit être équipée d'un système d'évacuation d'air qui expulse les fumées de combustion.

⚠ La pièce doit aussi permettre une bonne circulation d'air; l'air est nécessaire pour une combustion normale. La circulation d'air doit être au minimum de 2 m³/h par kW de puissance installée.

⚠ Le système de circulation d'air peut prendre l'air directement de l'extérieur en utilisant un tuyau avec une section transversale intérieure d'au moins 100 cm²; l'ouverture ne doit pas pouvoir se bloquer facilement.

⚠ Le système peut aussi obtenir l'air nécessaire de façon indirecte, p. ex. d'une pièce voisine munie de tuyaux pour la circulation d'air comme décrit plus haut. Cependant, ces pièces ne doivent pas être une salle commune, une chambre à coucher, ou une pièce qui présente un danger d'incendie.

⚠ Comme il est plus pesant que l'air, le gaz de pétrole liquéfié reste au niveau du sol. Donc, les pièces contenant des cylindres de GPL doivent être équipées de bouches de ventilation qui permettent au gaz de s'échapper en cas de fuite. Donc, les cylindres de GPL, plein ou partiellement rempli, doivent être installés ou entreposés dans des pièces ou entrepôts qui se trouvent sous le niveau du sol (cave, etc.). Nous vous conseillons de garder dans la pièce

les cylindres utilisés seulement, placés de façon à ne pas être affecté par la chaleur produite par des sources externes (four, foyer, cuisinière) qui pourrait faire monter la température du cylindre au dessus de 50°C.

Si vous éprouvez des problèmes pour tourner les boutons des brûleurs, veuillez contacter le Service Après-vente pour remplacer le bec du brûleur s'il est défectueux. Les ouvertures utilisées pour la ventilation et la diffusion de la chaleur ne doivent jamais être obstruées.

⚠ Découpez le contour du meuble avant d'y insérer l'appareil, et enlevez soigneusement les copeaux et la sciure de bois.

⚠ Si l'appareil n'est pas installé au-dessus d'un four, un panneau séparateur (non compris) doit être installé dans le compartiment sous l'appareil.

RACCORDEMENT AU GAZ

⚠ **AVERTISSEMENT:** Avant l'installation, assurez-vous que les conditions de distribution locale (nature et pression du gaz) sont compatibles avec les réglages de l'appareil.

⚠ Vérifiez que la pression de l'alimentation de gaz est conforme aux valeurs indiquées dans le tableau "Caractéristiques du brûleur".

⚠ **AVERTISSEMENT:** Les conditions de configuration pour cet appareil sont indiquées sur l'étiquette (ou la plaque signalétique).

⚠ **AVERTISSEMENT:** Cet appareil n'est pas raccordé à un dispositif d'évacuation des fumées. Il doit être installé et connecté conformément aux réglementations en vigueur en matière d'installation. Faire particulièrement attention aux normes d'aération.

⚠ Si les appareils sont branchés à du gaz liquide, la vis de réglage doit être fixée aussi fermement que possible.

⚠ **IMPORTANT:** Si vous utilisez une bouteille de gaz, le cylindre ou le récipient de gaz doit être correctement installée (orientation verticale).

⚠ **AVERTISSEMENT:** Cette opération doit être effectuée par un technicien spécialisé.

⚠ Effectuez le raccordement au gaz à l'aide d'un flexible ou d'un tuyau en métal rigide uniquement.

⚠ Connexion à un tuyau rigide (cuivre ou acier) La connexion au système de gaz doit être effectuée de façon à ne pas placer de contrainte sur l'appareil. Il existe un raccord de tuyau en forme de L réglable sur la rampe d'alimentation de l'appareil et il est installé avec un joint afin d'éviter des fuites. Le joint d'étanchéité doit toujours être remplacé lorsqu'on remplace le raccord de tuyauterie (le joint est fourni avec l'appareil). Le raccord de tuyauterie de l'alimentation de gaz est un raccord cylindrique mâle avec un filament de 1/2.

⚠ Connexion d'un tuyau en acier inoxydable sans joint flexible à une fixation filetée. Le raccord de tuyau d'alimentation de gaz est une fixation mâle cylindrique de gaz filetée de dimension 1/2. Ces tuyaux doivent être installés de façon à ne pas dépasser 2000 mm de longueur lorsqu'ils sont complètement étirés. Une fois le branchement terminé, assurez-vous que le tuyau flexible en métal ne touche pas aux pièces mobiles et qu'il n'est pas écrasé. Utiliser seulement des tuyaux et des joints d'étanchéité conformes à la réglementation nationale.

⚠ IMPORTANT: Si vous utilisez un tuyau en acier inoxydable, assurez-vous qu'il ne touche à aucune pièce mobile du meuble (p. ex. un tiroir). Le tuyau doit passer à travers un endroit libre d'obstruction et où il est possible de l'inspecter sur toute sa longueur.

⚠ L'appareil doit être branché à l'alimentation principale ou à un cylindre de gaz conformément à la réglementation nationale. Avant d'effectuer le branchement, assurez-vous que l'appareil est compatible avec l'alimentation de gaz que vous désirez utiliser. Si ce n'est pas le cas, suivez les directives indiquées au paragraphe "Adapter à différents types de gaz".

⚠ Après le raccordement à l'arrivée de gaz, vérifiez qu'il n'y ait pas de fuite à l'aide d'eau savonneuse. Allumez les brûleurs et tournez les boutons de la position maximale 1* à la position minimale 2* pour vérifier la stabilité de la flamme.

ADAPTER À DIFFÉRENTS TYPES DE GAZ

(Cette opération doit être effectuée par un technicien spécialisé).

⚠ Afin d'adapter l'appareil à un type de gaz différent de celui pour lequel il a été fabriqué (indiqué sur l'étiquette nominative), suivez les étapes spécifiques indiquées après les schémas d'installation.

AVERTISSEMENTS ÉLECTRIQUES

⚠ IMPORTANT: Des informations concernant la consommation actuelle et de tension figurent sur la plaque signalétique.

⚠ Il doit être possible de débrancher l'appareil de l'alimentation électrique en retirant la fiche de la prise de courant si elle est accessible, ou à l'aide d'un interrupteur multipolaire en amont de la prise de courant, conformément aux règles de câblage et l'appareil doit être mis à la terre conformément aux normes de sécurité électrique nationales.

⚠ Une fois l'appareil installé dans son meuble, le câble d'alimentation doit être suffisamment long pour le brancher à l'alimentation électrique principale. Ne tirez pas sur le cordon d'alimentation pour débrancher l'appareil.

⚠ N'utilisez pas de rallonge, de prises multiples ou d'adaptateurs. Une fois l'installation terminée, l'utilisateur ne devra plus pouvoir accéder aux composants électriques. N'utilisez pas l'appareil si vous êtes mouillé ou si vous êtes pieds nus. N'utilisez pas cet appareil si le câble d'alimentation ou la prise de courant sont endommagés, si l'appareil ne fonctionne pas correctement, ou s'il a été endommagé ou échappé.

⚠ Si le câble d'alimentation est endommagé, il doit être remplacé par un câble identique provenant du fabricant, d'un représentant du Service Après-vente, ou par toute autre personne qualifiée - vous pourriez vous électrocuter.

NETTOYAGE ET ENTRETIEN

⚠ AVERTISSEMENT: Assurez-vous que l'appareil est éteint et débranché du réseau électrique avant d'effectuer l'entretien - vous pourriez vous électrocuter; n'utilisez

jamais un appareil de nettoyage à vapeur - risque de choc électrique.

⚠ N'utilisez en aucun cas de produits abrasifs ou corrosifs, de produits chlorés ou de tampons à récurer.

⚠ Pour ne pas endommager le dispositif d'allumage électrique, actionnez-le uniquement lorsque les brûleurs ont été remis en place.

MISE AU REBUT DES MATÉRIAUX D'EMBALLAGE


Les matériaux d'emballage sont entièrement recyclables comme l'indique le symbole de recyclage .

Les différentes parties de l'emballage doivent donc être jetées de manière responsable et en totale conformité avec la réglementation des autorités locales régissant la mise au rebut de déchets.

MISE AU REBUT DES APPAREILS ÉLECTROMÉNAGERS

Cet appareil est fabriqué avec des matériaux recyclables ou pouvant être réutilisés. Mettez-le au rebut en vous conformant aux réglementations locales en matière d'élimination des déchets. Pour toute information supplémentaire sur le traitement et le recyclage des appareils électroménagers, contactez le service local compétent, le service de collecte des déchets ménagers ou le magasin où vous avez acheté l'appareil. Cet appareil est marqué comme étant conforme à la Directive européenne 2012/19/EU, aux réglementations relatives aux Déchets d'équipement électrique et électronique (DEEE) et relatives aux Déchets d'équipement électrique et électronique de 2013 (tels qu'amendés).

En vous assurant que l'appareil est mis au rebut correctement, vous pouvez aider à éviter d'éventuelles conséquences négatives sur l'environnement et la santé humaine.

Ce symbole  sur le produit ou sur la documentation qui l'accompagne indique qu'il ne doit pas être traité comme un déchet domestique, mais doit être remis à un centre de collecte spécialisé pour le recyclage des appareils électriques et électroniques.



CONSEILS RELATIFS À L'ÉCONOMIE D'ÉNERGIE

Utilisez des ustensiles de cuisson d'un diamètre égal à celui de la zone de cuisson.

Utilisez exclusivement des ustensiles de cuisson à fond plat.

Lorsque cela est possible, couvrez les casseroles avec un couvercle pendant la cuisson.

Utilisez un autocuiseur pour économiser encore plus d'énergie et de temps.

DÉCLARATION DE CONFORMITÉ

Cet appareil respecte les conditions requises d'écoconception de la Réglementation européenne 66/2014 et des Réglementations en matière d'écoconception pour les produits liés à l'énergie et les informations énergétiques (Amendement) (Sortie de l'UE) 2019, conformément à la norme européenne EN 30-2-1.

Les informations relatives au mode basse consommation de l'appareil conformément au Règlement (UE) 2023/826 sont disponibles sur le lien suivant : <https://docs.emeaappliance-docs.eu>.

CARACTÉRISTIQUES DU BRÛLEUR
CATÉGORIE I1E+3+

Type de gaz utilisé	Type de brûleur	Marque de l'injecteur	Puissance thermique nominale kW	Consommation nominale	Puissance thermique réduite kW	Pression du gaz mbar		
						min.	nom.	max.
GAZ NATUREL (Méthane) G20	Rapide (R)	128 B	3,00	286 l/h	0,70	17	20	25
	Semi-rapide (SR)	97 A	1,65	157 l/h	0,40			
	Auxiliaire (AUX)	78 A	1,00	95 l/h	0,40			
	Double Couronne (DC)	168 Z1	4,80	457 l/h	2,20			
GAZ DE PÉTROLE LIQUÉFIÉ (Butane) G30	Rapide (R)	85 A	3,00	218 g/h	0,70	20	28-30	35
	Semi-rapide (SR)	66 A	1,65	120 g/h	0,40			
	Auxiliaire (AUX)	50	1,00	73 g/h	0,40			
	Double Couronne (DC)	107	4,50	327 g/h	2,20			
GAZ DE PÉTROLE LIQUÉFIÉ (Propane) G31	Rapide (R)	85 A	3,00	214 g/h	0,70	25	37	45
	Semi-rapide (SR)	66 A	1,65	118 g/h	0,40			
	Auxiliaire (AUX)	50	1,00	71 g/h	0,40			
	Double Couronne (DC)	107	4,50	321 g/h	2,20			

Type de gaz utilisé	Configuration du modèle 5 BRÛLEURS	Puissance thermique nominale (kW)	Consommation totale nominale	Air nécessaire (m ³) à la combustion de 1m ³ de gaz
G20 20 mbar	1R - 2SR - 1AUX - 1DC	12,10	1152 l/h	9,52
G30 28-30 mbar	1R - 2SR - 1AUX - 1DC	11,80	858 g/h	30,94
G31 37 mbar	1R - 2SR - 1AUX - 1DC	11,80	843 g/h	23,80

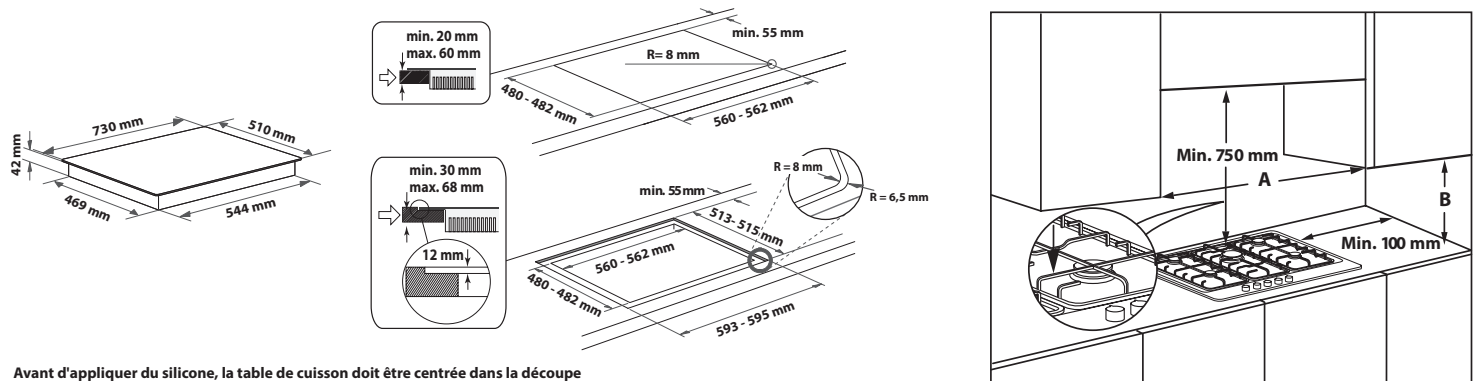
ALIMENTATION ÉLECTRIQUE: 220-240 V ~ 50-60 Hz - 0,6 W


INSTALLATION (CLASSE 3)

INFORMATIONS TECHNIQUES POUR L'INSTALLATEUR

- Utilisez des gants de protection pour manipuler, préparer et installer le produit.
- La table de cuisson peut être encastrée dans un plan de travail de 20 ÷ 60 mm d'épaisseur avec installation standard. Pour montage encastré 30 ÷ 68 mm.
- Si vous n'installez pas de four sous la table de cuisson, placez un panneau de séparation de dimension au moins égale à celle de la découpe pratiquée dans le plan de travail. Ce panneau doit être installé à 150 mm maximum en dessous de la surface supérieure du plan de travail, mais en aucun cas à moins de 20 mm de la partie inférieure de la table de cuisson. Si vous avez l'intention d'installer un four sous la table de cuisson, assurez-vous qu'il est doté d'un système de refroidissement.

DIMENSIONS ET DISTANCES A RESPECTER



Avant d'appliquer du silicone, la table de cuisson doit être centrée dans la découpe

REMARQUE: si la distance "A" entre les éléments muraux est de 600mm à 730 mm, la hauteur "B" doit être au minimum de 530mm.
Si la distance "A" entre les éléments muraux est supérieure à la largeur de la table de cuisson, la hauteur "B" doit être au minimum de 400 mm.
Avant d'installer une hotte au-dessus de la table de cuisson, veuillez vous référer au manuel d'utilisation de la hotte qui spécifie les distances adéquates.

ASSEMBLAGE

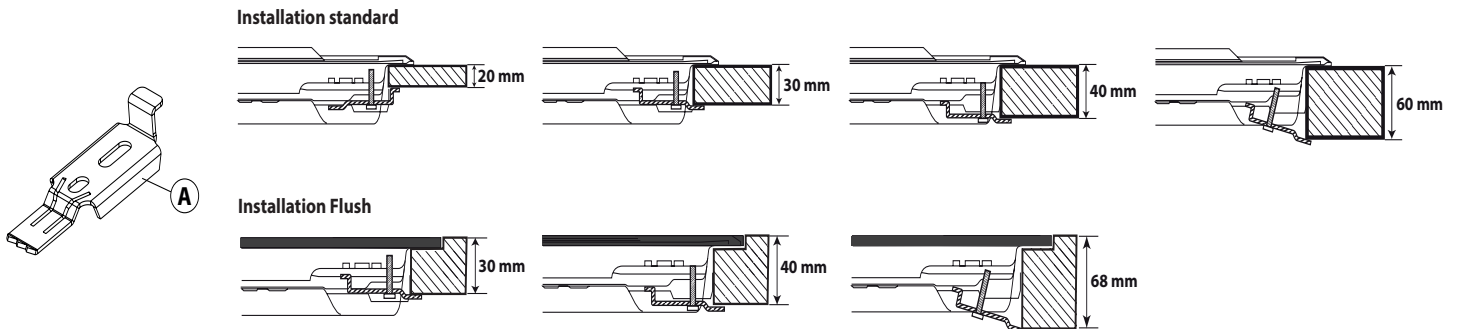
Après avoir nettoyé le pourtour de la table de cuisson, appliquez le joint fourni comme illustré sur la figure.

Installez la table de cuisson dans l'ouverture du plan de cuisson dont les dimensions correspondent à celles figurant dans le mode d'emploi.



REMARQUE: le cordon d'alimentation doit être suffisamment long pour permettre son extraction par le haut.

Pour fixer la table de cuisson, utilisez les attaches (A) fournies. Introduisez les attaches dans les orifices prévus à cet effet (indiqués par la flèche) et fixez-les à l'aide des vis en fonction de l'épaisseur de la table de cuisson (voir figures suivantes).

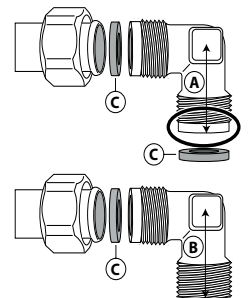


RACCORDEMENT AU GAZ

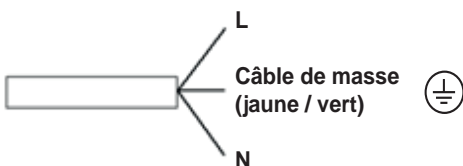
- Raccordez le coude (A)* ou (B)* fourni au tuyau principal d'alimentation de la table de cuisson et installez la rondelle (C) fournie, conformément à la norme EN 549.

* Utilisez le coude (A) pour la France et le coude (B) pour tous les autres pays.

- Une fois le tuyau de gaz raccordé, vérifiez l'absence de fuites à l'aide d'eau savonneuse. Allumez les brûleurs et tournez les boutons de la position maximale à la position minimale pour vérifier la stabilité de la flamme.



BRANCHEMENT ÉLECTRIQUE



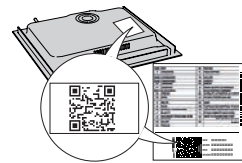


MERCI D'AVOIR CHOISI UN PRODUIT WHIRLPOOL
Afin de profiter d'une assistance plus complète, veuillez enregistrer votre produit sur www.register10.eu.

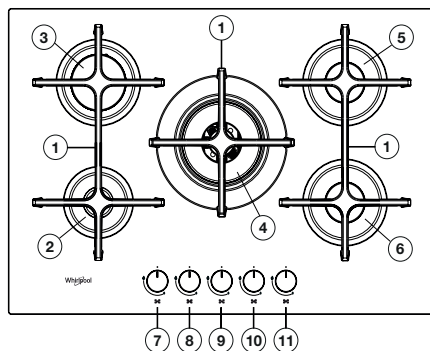


Lisez attentivement les consignes de sécurité avant d'utiliser l'appareil.

**VEUILLEZ SCANNER LE QR CODE
SUR VOTRE APPAREIL POUR
OBTENIR PLUS D'INFORMATIONS**



DESCRIPTION DU PRODUIT



1. Grilles amovibles
2. Brûleur Auxiliaire
3. Brûleur Rapide
4. Brûleur à double couronne
5. Brûleur Semi-Rapide
6. Brûleur Semi-Rapide
7. Bouton de commande du brûleur Auxiliaire
8. Bouton de commande du brûleur Rapide
9. Bouton de commande du brûleur à double couronne
10. Bouton de commande du brûleur Semi Rapide
11. Bouton de commande du brûleur Semi Rapide

Symboles

- Cercle ombré ● Robinet fermé
- Flamme maximale 🔥 Ouverture/débit max., et allumage électrique
- Flamme minimale 🔥 Ouverture min./débit réduit



USAGE QUOTIDIEN

MODE D'EMPLOI DE LA TABLE DE CUISSON

⚠ Ne laissez pas la flamme du brûleur dépasser du bord de la casserole.

IMPORTANT: lorsque la table de cuisson est utilisée, elle peut être chaude dans son intégralité.

- Pour allumer un des brûleurs, tournez le bouton correspondant dans le sens inverse des aiguilles d'une montre jusqu'à la position de flamme maximale.
- Appuyez sur le bouton du bandeau de commande et maintenez-le dans cette position jusqu'à ce que le brûleur s'allume.
- Dès que le brûleur est allumé, maintenez le bouton enfoncé pendant 5 à 10 secondes environ pour permettre le fonctionnement correct du dispositif.
- Ce dispositif de sécurité du brûleur permet de couper l'arrivée du gaz en cas d'extinction inopinée de la flamme (suite à un courant d'air, une absence momentanée de gaz, un débordement de liquides, etc.).
- **Ne maintenez pas le bouton enfoncé plus de 15 secondes. Si, une fois ce temps écoulé, le brûleur ne reste pas allumé, attendez au moins une minute avant de répéter l'opération.**

REMARQUE: si des conditions locales spéciales du gaz distribué rendent l'allumage du brûleur difficile, il est conseillé de répéter l'opération en plaçant le bouton sur la position petite flamme.

Il se peut que le brûleur s'éteigne lorsque vous relâchez le bouton. Cela signifie que le dispositif de sécurité n'a pas chauffé suffisamment. Dans un tel cas, veuillez répéter les opérations décrites ci-dessus.

En cas d'extinction accidentelle des flammes du brûleur, tournez la manette jusqu'à l'arrêt et attendez au moins 1 minute avant de tenter de rallumer.

CONSEILS PRATIQUES POUR UTILISER LES BRÛLEURS

Cette table de cuisson est équipée de brûleurs de différents diamètres. Pour obtenir une meilleure performance des brûleurs, veuillez respecter les consignes suivantes:

- utilisez des ustensiles de cuisson d'un diamètre égal ou légèrement supérieur à celui du foyer (voir le tableau de droite);
- utilisez exclusivement des ustensiles de cuisson à fond plat;
- cuisez les aliments dans une quantité d'eau adaptée aux besoins et laissez le couvercle sur la casserole;
- vérifiez que les ustensiles de cuisson ne dépassent pas de la table de cuisson;
- pour les ustensiles de cuisson à fond convexe (WOK), utilisez la grille de support (non fournie), et placez-la uniquement sur le brûleur à plusieurs couronnes.
- éviter les heurts accidentels avec casseroles, grilles ou autres ustensiles de cuisine;
- ne pas utiliser de casseroles ou de faitouts à cheval sur deux brûleurs ou plus.

IMPORTANT: une utilisation inappropriée des grilles peut endommager la table de cuisson; ne positionnez pas les grilles sens dessus dessous ou ne les faites pas glisser sur la table de cuisson.

BRÛLEUR	Ø D'USTENSILE DE CUISSON
Double Couronne	De 24 à 26 cm
Rapide	De 24 à 26 cm
Semi-rapide	De 16 à 22 cm
Auxiliaire	De 8 à 14 cm

N'utilisez pas:

- de plaques en fonte, de pierres ollaires, d'ustensiles de cuisson en terre cuite;
- de diffuseurs de chaleur comme des mailles métalliques ou tout autre type;
- deux brûleurs simultanément pour un seul récipient (par exemple, une poissonnière).

Les liquides renversés sur la zone de cuisson chaude peuvent endommager le verre.

ADAPTATION A DIFFÉRENTS TYPES DE GAZ

⚠ Cette opération doit être réalisée par un technicien qualifié.

Si votre appareil est conçu pour fonctionner avec un type de gaz différent de celui indiqué sur l'étiquette signalétique et sur l'étiquette d'information appliquée sur le dessus de la table de cuisson, remplacez les injecteurs. Retirez l'étiquette d'information et conservez-la avec le mode d'emploi.

Utilisez des détendeurs compatibles avec la pression du gaz indiquée dans le mode d'emploi:

- l'injecteur de gaz doit être remplacé par le Service Après-vente ou par un technicien qualifié;
- si l'injecteur n'est pas livré avec l'appareil, commandez-le auprès du Service Après-vente;
- réglez les robinets sur le minimum.

REMARQUE: si vous utilisez du gaz de pétrole liquéfié (G30/G31), la vis de réglage du débit minimal de gaz doit être serrée à fond.

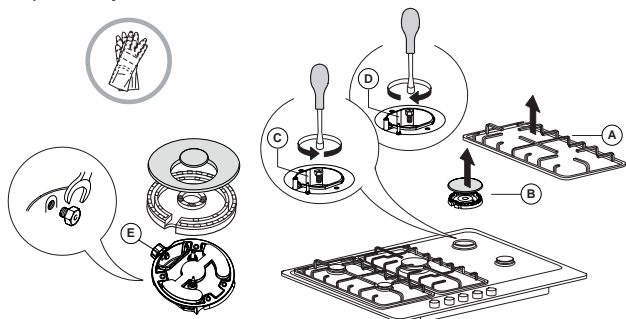
IMPORTANT: si les boutons de commande des brûleurs tournent difficilement, contactez le Service Après-vente pour le remplacement du robinet du brûleur si celui-ci est défectueux.

IMPORTANT: si vous utilisez une bouteille de gaz, veillez à ce qu'elle soit correctement installée (orientation verticale).

REPLACEMENT DES INJECTEURS (voir le tableau des injecteurs dans le Consignes de sécurité)

⚠ Cette opération doit être réalisée par un technicien qualifié.

- Retirez les grilles (A).
- Retirez les brûleurs (B).
- Utilisez une clef à douille de taille appropriée et dévissez l'injecteur (C) à remplacer.
- Remplacez-le par l'injecteur compatible avec le nouveau type de gaz.
- Remontez l'injecteur en (D).
- Si vous possédez un brûleur à multiples couronnes, utilisez la clef latérale pour remplacer l'injecteur (E).



Avant d'installer la table de cuisson, n'oubliez pas de coller l'étiquette fournie avec les injecteurs contenant les informations correspondant au gaz utilisé.

NETTOYAGE ET ENTRETIEN

⚠ Débranchez l'appareil avant de procéder à son entretien.

NETTOYAGE DE LA SURFACE DE LA TABLE DE CUISSON

- Nettoyez les parties émaillées et en verre à l'eau chaude en utilisant un peu de détergent neutre.
- Si les surfaces en acier inoxydable restent trop longtemps en contact avec de l'eau calcaire ou des détergents corrosifs, des taches risquent de se former. Éliminez tout débordement de liquide (eau, sauce, café, etc.) avant qu'il ne sèche.
- Nettoyez à l'eau chaude en utilisant un détergent neutre, puis essuyez à l'aide d'un chiffon doux ou d'une peau de chamois. Éliminez les résidus carbonisés à l'aide d'un produit de nettoyage spécial pour surfaces en acier inoxydable.

REMARQUE: nettoyez l'inox uniquement avec un chiffon doux ou une éponge.

- N'utilisez en aucun cas de produits abrasifs ou corrosifs, de produits chlorés ou de tampons à récurer.
- N'utilisez pas d'appareils de nettoyage à la vapeur.
- N'utilisez pas de produits inflammables.
- Essuyez immédiatement les substances acides ou alcalines, telles que vinaigre, moutarde, sel, sucre ou jus de citron, qui se sont déposées sur la table de cuisson.

RÉGLAGE DES ROBINETS SUR LE MINIMUM

⚠ Cette opération doit être réalisée par un technicien qualifié.

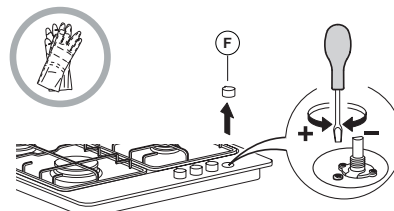
Le réglage doit être effectué avec le robinet sur le minimum (petite flamme).

L'air primaire des brûleurs ne doit pas être réglé.

Pour vous assurer que le réglage minimal est correctement réglé, retirez le bouton (F) et procédez comme suit:

- serrez la vis pour réduire la hauteur de la flamme (-);
- desserrez la vis pour augmenter la hauteur de la flamme (+).

Allumez maintenant les brûleurs et tournez les boutons de la position maximale vers la position minimale pour vérifier la stabilité de la flamme.



Une fois le réglage terminé, refaites le joint en utilisant une cire à cacheter ou un matériau équivalent.

NETTOYAGE DES ELEMENTS DE LA TABLE DE CUISSON

- Nettoyez les parties en verre et émaillées uniquement avec un chiffon doux ou une éponge.
- Les grilles, les chapeaux des brûleurs et les brûleurs peuvent être retirés pour être nettoyés.
- Lavez-les à la main, à l'eau chaude en utilisant un détergent non abrasif. Veillez à éliminer soigneusement tous les résidus d'aliments et assurez-vous qu'aucune des ouvertures des brûleurs n'est obstruée.
- Rincez et séchez.
- **Les grilles en fonte peuvent être nettoyées au lave-vaisselle. Enlevez tous les résidus d'aliments brûlés avant de placer les grilles dans le rack inférieur du lave-vaisselle.**
- Réinstallez les brûleurs et les chapeaux des brûleurs dans leurs logements respectifs.
- Au moment de réinstaller les grilles, assurez-vous que celles-ci sont alignées par rapport au brûleur.
- Sur les modèles équipés de bougies d'allumage électriques et de dispositif de sécurité, veillez à nettoyer soigneusement l'extrémité de la bougie pour garantir son bon fonctionnement. Vérifiez régulièrement l'état de ces éléments et nettoyez-les à l'aide d'un chiffon humide, si nécessaire. Éliminez tout résidu d'aliment à l'aide d'un cure-dent ou d'une aiguille.

REMARQUE: pour ne pas endommager le dispositif d'allumage électrique, actionnez-le uniquement lorsque les brûleurs ont été remis en place.

En cas de mauvais fonctionnement de la table de cuisson, avant de contacter le Service Après-vente, consultez le chapitre Diagnostic des pannes afin d'identifier le problème.

1. Le brûleur ne s'allume pas ou la flamme est irrégulière

Vérifiez que:

- l'alimentation du gaz ou l'alimentation électrique n'est pas coupée et, en particulier, que le robinet d'arrivée du gaz est ouvert;
- la bouteille de gaz (gaz liquide) n'est pas vide;
- les ouvertures des brûleurs ne sont pas obstruées;
- l'extrémité de la bougie n'est pas encrassée;
- tous les éléments des brûleurs sont positionnés correctement;
- Il n'y a pas de courant d'air à proximité de la table de cuisson.

2. Le brûleur ne reste pas allumé

Vérifiez que:

- lors de l'allumage du brûleur, le bouton est maintenu enfoncé pendant un laps de temps suffisant pour permettre au dispositif de protection de s'enclencher;
- les ouvertures du brûleur ne sont pas obstruées à proximité du thermocouple;
- l'extrémité du dispositif de sécurité n'est pas encrassée;
- le réglage du débit minimal de gaz est correct (voir paragraphe correspondant).

3. Les ustensiles de cuisson ne sont pas stables

Vérifiez que:

- le fond des ustensiles de cuisson est parfaitement plat;
- l'ustensile de cuisson est correctement centré sur le brûleur;
- les grilles n'ont pas été inversées ou mises en place de façon incorrecte.

Si le problème persiste après ces vérifications, contactez votre Service Après-vente le plus proche.

SERVICE APRÈS-VENTE

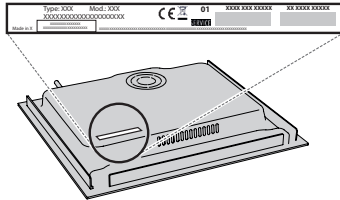
AVANT D'APPELER LE SERVICE APRÈS-VENTE:

1. Vérifiez en premier lieu si vous pouvez remédier au problème à l'aide des suggestions de la section **GUIDE DE DÉPANNAGE**.
2. Éteignez puis rallumez l'appareil pour voir si le problème persiste.

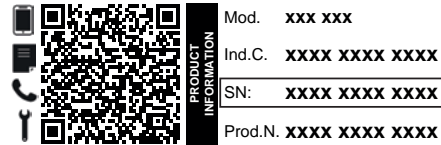
SI LE PROBLÈME PERSISTE TOUJOURS APRÈS LES VÉRIFICATIONS PRÉCÉDENTES, CONTACTER LE SERVICE APRÈS-VENTE LE PLUS PRÈS.

Lorsque vous contactez notre Service Après-vente, toujours préciser:

- une brève description du problème;
- le type et le modèle exact de l'appareil;



- le numéro de série (le numéro après le mot «SN» sur la plaque signalétique située sous l'appareil). Le numéro de série est également disponible dans la documentation;



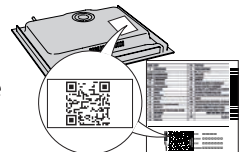
- votre adresse complète ;
- votre numéro de téléphone.

Si des réparations sont nécessaires, contactez un service après-vente agréé (vous aurez ainsi la garantie que les pièces défectueuses seront remplacées par des pièces d'origine et que la réparation de votre appareil sera effectuée correctement).



Vous trouverez les politiques, la documentation standard et des informations supplémentaires sur le produit :

- En utilisant le QR Code dans votre appareil;
- En visitant notre site Internet docs.whirlpool.eu/docs;
- Vous pouvez également **contacter notre service après-vente** (voir numéro de téléphone dans le livret de garantie). Lorsque vous contactez notre Service après-vente, veuillez indiquer les codes figurant sur la plaque signalétique de l'appareil.



®/TM/ © 2024 Whirlpool. Produit sous licence.

NORME DI SICUREZZA

⚠ Queste istruzioni sono valide se sull'apparecchio è riportato il simbolo del paese. Se il simbolo del paese non è presente sull'apparecchio occorre fare riferimento alle istruzioni tecniche, che contengono le istruzioni necessarie per la modifica dell'apparecchio secondo le condizioni d'uso del paese.

⚠ **ATTENZIONE:** l'uso di apparecchi di cottura a gas causa la produzione di calore, umidità e prodotti di combustione nel locale di installazione. La cucina deve essere ben ventilata, soprattutto durante l'uso dell'apparecchio: tenere aperti i canali di ventilazione naturali o installare un dispositivo di ventilazione meccanica (una cappa di estrazione meccanica). Un uso intensivo e prolungato dell'apparecchio può richiedere una ventilazione supplementare o più efficace, ad esempio l'apertura di una finestra o, se possibile, l'attivazione a una maggiore velocità di un dispositivo di ventilazione meccanica.

⚠ La mancata osservanza delle informazioni contenute in questo manuale può causare rischi di incendio o esplosione, con conseguenti danni materiali o lesioni personali.

Prima di utilizzare l'apparecchio, leggere le seguenti norme di sicurezza. Conservarle per eventuali consultazioni successive.

Questo manuale e l'apparecchio sono corredati da importanti avvertenze di sicurezza, da leggere e rispettare sempre. Il fabbricante declina qualsiasi responsabilità che derivi dalla mancata osservanza delle presenti istruzioni di sicurezza, da usi impropri dell'apparecchio o da errate impostazioni dei comandi.

⚠ **AVVERTENZA:** Se la superficie del piano cottura è incrinata, non utilizzare l'apparecchio per evitare il rischio di folgorazione.

⚠ **AVVERTENZA:** Pericolo di incendio: non appoggiare oggetti sulle superfici di cottura.

⚠ **ATTENZIONE:** Il processo di cottura deve essere sorvegliato. I processi di cottura brevi richiedono una supervisione continua.

⚠ **AVVERTENZA:** La cottura non sorvegliata su un piano di cottura con grasso e olio può essere pericolosa e generare incendi. Non tentare MAI di spegnere le fiamme con acqua. Al contrario, spegnere l'apparecchio e soffocare le fiamme, ad esempio con un coperchio o una coperta antincendio.

⚠ Non utilizzare il piano di cottura come superficie di lavoro o appoggio. Non avvicinare all'apparecchio stoffe o altri materiali infiammabili fino a che tutti i componenti non si siano completamente raffreddati per evitare il rischio di incendi.

⚠ Tenere l'apparecchio fuori dalla portata dei bambini di età inferiore a 3 anni. Senza la sorveglianza costante di un adulto, tenere l'apparecchio fuori dalla portata dei bambini di età inferiore a 8 anni. I bambini di età superiore agli 8 anni, le persone con ridotte capacità fisiche, sensoriali o mentali e le persone che non abbiano esperienza o conoscenza dell'apparecchio potranno utilizzarlo solo sotto sorveglianza, o quando siano state istruite sull'utilizzo sicuro dell'apparecchio e siano consapevoli dei rischi del suo utilizzo. Vietare ai bambini di giocare con l'apparecchio. La pulizia e la manutenzione ordinaria non devono essere effettuate da bambini senza la supervisione di un adulto.

⚠ **ATTENZIONE:** in caso di rottura del vetro del piano di cottura: spegnere immediatamente tutti i bruciatori e le

IMPORTANTE: DA LEGGERE E OSSERVARE

resistenze elettriche e scollegare l'apparecchio dall'alimentazione, non toccare la superficie dell'apparecchio; non utilizzare l'apparecchio.

Il coperchio di vetro può rompersi se viene riscaldato. Prima di chiudere il coperchio, spegnere tutti i bruciatori e le piastre elettriche. Non chiudere il coperchio se i bruciatori sono accesi.

⚠ **AVVERTENZA:** L'apparecchio e i suoi componenti accessibili possono diventare molto caldi durante l'uso. Fare attenzione a non toccare gli elementi riscaldanti. Tenere lontani i bambini di età inferiore agli 8 anni, a meno che non siano costantemente sorvegliati.

⚠ L'alimento non deve essere lasciato nel o sul prodotto per più di un'ora prima o dopo la cottura.

USO CONSENTITO

⚠ **ATTENZIONE:** l'apparecchio non è destinato ad essere messo in funzione mediante un dispositivo di commutazione esterno, ad esempio un temporizzatore, o attraverso un sistema di comando a distanza separato.

⚠ L'apparecchio è destinato all'uso domestico e ad applicazioni analoghe, quali: aree di cucina per il personale di negozi, uffici e altri contesti lavorativi; agriturismi; camere di hotel, motel, bed & breakfast e altri ambienti residenziali.

⚠ Non sono consentiti altri usi (ad esempio, il riscaldamento di locali).

⚠ Questo apparecchio non è destinato all'uso professionale. Non utilizzare l'apparecchio all'aperto.

⚠ Utilizzare pentole e tegami di diametro pari o leggermente superiore al diametro dei bruciatori (vedere la tabella). Evitare che le pentole, posizionate sulle griglie, fuoriescano dal perimetro del piano di cottura.

⚠ L'uso improprio delle griglie potrebbe danneggiare il piano: evitare di appoggiare le griglie capovolte o di trascinarle sul piano.

Non lasciare che la fiamma del bruciatore si estenda oltre il bordo della pentola.

Se la superficie del piano è in vetro, non utilizzare le bisticchiere in ghisa, le pietre di collare, le pentole e le padelle in terracotta.

Non utilizzare: dissipatori di rete metallica o di altro tipo; due bruciatori simultaneamente per la cottura con un solo recipiente (ad esempio una pesciera).

Qualora particolari condizioni del gas erogato localmente rendessero difficoltosa l'accensione del bruciatore, si consiglia di ripetere l'operazione con la manopola ruotata sulla posizione della fiamma piccola.

In caso di installazione di una cappa sul piano di cottura, fare riferimento alle relative istruzioni per la distanza corretta.

I piedini di protezione in gomma sotto le griglie potrebbero essere ingeriti dai bambini piccoli rappresentando il rischio di soffocamento. Dopo avere rimosso le griglie, controllare che tutti i piedini siano montati correttamente.

INSTALLAZIONE

⚠ Per evitare il rischio di lesioni personali, le operazioni di movimentazione e installazione dell'apparecchio devono essere eseguite da almeno due persone. Per evitare rischi di taglio, durante le operazioni di disimballaggio e installazione utilizzare i guanti protettivi.

⚠ I collegamenti di gas ed elettricità devono essere conformi alle norme locali.

⚠ L'installazione, comprendente anche eventuali raccordi per l'alimentazione idrica e i collegamenti elettrici, e gli interventi di riparazione devono essere eseguiti da personale qualificato. Non riparare o sostituire qualsiasi parte dell'apparecchio se non espressamente richiesto nel manuale d'uso. Tenere i bambini a distanza dal luogo dell'installazione. Dopo aver

disimballato l'apparecchio, assicurarsi che non sia stato danneggiato durante il trasporto. In caso di problemi, contattare il rivenditore o il Servizio Assistenza. A installazione completata, conservare il materiale di imballaggio (parti in plastica, polistirolo, ecc.) fuori della portata dei bambini per evitare potenziali rischi di soffocamento. Prima di procedere all'installazione, scollegare l'apparecchio dalla rete elettrica per non correre il rischio di scosse elettriche. Per evitare il rischio di incendio o di folgorazione, durante l'installazione assicurarsi che l'apparecchio non danneggi il cavo di alimentazione. Attivare l'apparecchio solo dopo avere completato la procedura di installazione.

⚠ **AVVERTENZA:** la modifica dell'apparecchio e del metodo di installazione sono essenziali per il suo utilizzo sicuro e corretto in ogni paese.

⚠ Utilizzare regolatori di pressione idonei alla pressione del gas indicata nelle istruzioni.

⚠ Il locale deve essere provvisto di un sistema di estrazione dell'aria in grado di espellere i fumi prodotti dalla combustione.

⚠ Il locale deve inoltre consentire un'adeguata circolazione dell'aria, in quanto l'aria è necessaria per la normale combustione. Il flusso d'aria non deve essere inferiore a 2 m³/h per ogni kW di potenza installata.

⚠ Il sistema di circolazione può aspirare l'aria direttamente dall'esterno mediante una tubazione con sezione interna non inferiore a 100 cm²; l'apertura non deve essere soggetta ad alcun tipo di ostruzione.

⚠ Il sistema può fornire l'aria necessaria per la combustione anche in modo indiretto, ad esempio da locali adiacenti provvisti di tubazioni di circolazione dell'aria del tipo sopra descritto. Tali locali, tuttavia, non devono essere spazi comuni, camere da letto o stanze che possano presentare rischi d'incendio.

⚠ Il gas di petrolio liquido (GPL) si sposta verso terra perché è più pesante dell'aria. Per questa ragione, i locali che contengano bombole di GPL devono essere provvisti di sfiati che consentano al gas di fuoriuscire in caso di perdite. Le bombole di GPL, anche solo parzialmente piene, non devono essere installate o conservate in locali o aree di deposito situate sotto il piano terreno (cantine, ecc.). È consigliabile tenere nel locale solo la bombola in uso, posizionandola in modo che non sia esposta a fonti di calore esterne (forni, camini, stufe, ecc.) che possano innalzare la temperatura della bombola oltre 50°C.

Se la rotazione delle manopole dei bruciatori dovesse risultare difficoltosa, contattare il Servizio Assistenza, che in caso di rubinetto difettoso provvederà a sostituirlo.

Le aperture utilizzate per la ventilazione e la dispersione del calore non devono mai essere coperte.

⚠ Eseguire tutte le operazioni di taglio del mobile prima di inserire il forno, avendo cura di rimuovere trucioli o residui di segatura.

⚠ Se l'apparecchio non è installato sopra un forno, è necessario installare un pannello divisorio (non in dotazione) nel vano sottostante.

COLLEGAMENTO DEL GAS

⚠ **AVVERTENZA:** Prima dell'installazione, controllare che le condizioni di distribuzione del locale (tipo e pressione del gas) siano compatibili con la configurazione dell'apparecchio.

⚠ Controllare che la pressione del gas dell'impianto sia in linea con i valori riportati nella Tabella "Specifiche di bruciatori e ugelli".

⚠ **AVVERTENZA:** le condizioni di configurazione dell'apparecchio sono riportate sull'etichetta (o sulla targhetta matricola).

⚠ **AVVERTENZA:** questo apparecchio non è collegato a un dispositivo di evacuazione dei prodotti di combustione. l'installazione e l'allacciamento devono essere eseguiti in conformità alle norme vigenti. Prestare particolare attenzione ai requisiti in materia di ventilazione.

⚠ Se l'apparecchio è collegato a un impianto a gas liquido, la vite di regolazione deve essere serrata con la massima forza possibile.

⚠ **IMPORTANTE:** se si utilizza una bombola di gas o è installato un serbatoio di gas, questi devono essere posizionati correttamente (orientamento verticale).

⚠ **AVVERTENZA:** questa operazione deve essere eseguita da un tecnico qualificato.

⚠ Per l'allacciamento del gas, utilizzare solo un tubo di metallo flessibile o rigido.

⚠ **Collegamento con tubo rigido (rame o acciaio)**
Il collegamento all'impianto del gas deve essere eseguito in modo da evitare qualsiasi forma di compressione o di trazione sull'apparecchio. Sulla rampa di alimentazione dell'apparecchio si trova un raccordo a L regolabile, provvisto di una guarnizione di tenuta contro le perdite. La guarnizione deve essere riapplicata dopo ogni rotazione del raccordo (la guarnizione è in dotazione con l'apparecchio). Il raccordo per il tubo di mandata del gas è un attacco maschio cilindrico 1/2 filettato.

⚠ **Collegamento di un tubo in acciaio inox flessibile senza saldature a un attacco filettato**
Il raccordo per il tubo di mandata del gas è un attacco maschio cilindrico 1/2 filettato. Questi tubi devono essere installati in modo che la loro estensione completa non superi i 2000 mm di lunghezza. Una volta eseguito il collegamento, controllare che il tubo in metallo flessibile non entri a contatto con parti mobili e non sia compresso. Usare solo tubi e guarnizioni conformi alle norme nazionali vigenti.

⚠ **IMPORTANTE:** nel caso si utilizzi un tubo in acciaio inox, questo dovrà essere installato in modo da non entrare in contatto con parti mobili (es. cassette). Il tubo deve passare in un'area libera da ingombri e deve essere ispezionabile su tutta la lunghezza.

⚠ L'apparecchio deve essere collegato all'impianto del gas o alla bombola del gas in conformità alle norme nazionali vigenti. Prima di procedere al collegamento, verificare che l'apparecchio sia compatibile con l'impianto di alimentazione del gas che si intende utilizzare. In caso contrario, seguire le istruzioni del paragrafo "Adattamento dell'apparecchio al tipo di gas".

⚠ Dopo il collegamento all'alimentazione del gas, verificare con una soluzione di acqua saponata che non vi siano perdite. Con i bruciatori accesi, ruotare le manopole dalla posizione massima 1* alla posizione minima 2* per verificare la stabilità della fiamma.


ADATTAMENTO DELL'APPARECCHIO AL TIPO DI GAS


(Questa operazione deve essere eseguita da un tecnico qualificato).


⚠ Per adattare l'apparecchio a un tipo di gas diverso da quello per il quale è stato prodotto (indicato sull'etichetta), seguire la procedura riportata dopo i disegni di installazione.


AVVERTENZE ELETTRICHE

 **IMPORTANTE:** Le informazioni sui consumi di corrente e tensione sono riportate sulla targhetta matricola.


 Il cavo di alimentazione deve essere sufficientemente lungo da consentire il collegamento dell'apparecchio, una volta posizionato nell'ubicazione definitiva, alla presa di corrente. Non tirare il cavo di alimentazione.

 Deve essere possibile scollegare l'apparecchio dalla rete elettrica disinserendo la spina, se questa è accessibile, o tramite un interruttore multipolare installato a monte della presa nel rispetto dei regolamenti elettrici vigenti; inoltre, l'apparecchio deve essere messo a terra in conformità alle norme di sicurezza elettrica nazionali.

 Non utilizzare cavi di prolunga, prese multiple o adattatori. Una volta terminata l'installazione, i componenti elettrici non devono più essere accessibili. Non utilizzare l'apparecchio quando si è bagnati oppure a piedi nudi. Non accendere l'apparecchio se il cavo di alimentazione o la spina sono danneggiati, se si osservano anomalie di funzionamento o se l'apparecchio è caduto o è stato danneggiato.

 Se il cavo di alimentazione è danneggiato, deve essere sostituito con uno dello stesso tipo dal produttore, da un centro di assistenza autorizzato o da un tecnico qualificato per evitare situazioni di pericolo o rischi di scosse elettriche.


PULIZIA E MANUTENZIONE

 **AVVERTENZA:** Per evitare rischi di folgorazione, prima di qualsiasi intervento di manutenzione accertarsi che l'apparecchio sia spento e scollegato dall'alimentazione elettrica; non usare in nessun caso pulitrici a getto di vapore.

 Non utilizzare prodotti abrasivi o corrosivi, prodotti a base di cloro o pagliette.

 Per evitare danni all'accensione elettrica, non utilizzarla quando i bruciatori non sono nella loro sede.

SMALTIMENTO DEL MATERIALE DI IMBALLAGGIO


Il materiale di imballaggio è riciclabile al 100% ed è contrassegnato dal simbolo del riciclaggio .

Le varie parti dell'imballaggio devono pertanto essere smaltite responsabilmente e in stretta osservanza delle norme stabilite dalle autorità locali.

SMALTIMENTO DEGLI ELETTRODOMESTICI

Questo prodotto è fabbricato con materiale riciclabile o riutilizzabile. Smaltire il prodotto rispettando le normative locali in materia. Per ulteriori informazioni sul trattamento, il recupero e il riciclaggio degli elettrodomestici, contattare l'ufficio locale competente, il servizio di raccolta dei rifiuti domestici o il negozio presso il quale il prodotto è stato acquistato. Questo apparecchio è contrassegnato in conformità alla direttiva europea 2012/19/UE, Rifiuti di apparecchiature elettriche ed elettroniche (RAEE) e alle norme sui rifiuti di apparecchiature elettriche ed elettroniche 2013 (e successive modifiche).

Assicurandosi che questo prodotto sia smaltito in modo corretto, l'utente contribuisce a prevenire le conseguenze negative per l'ambiente e la salute.

Il simbolo  sul prodotto o sulla documentazione di accompagnamento indica che questo apparecchio non deve essere smaltito come rifiuto domestico, bensì conferito presso un centro di raccolta preposto al ritiro delle apparecchiature elettriche ed elettroniche.

CONSIGLI PER IL RISPARMIO ENERGETICO

Utilizzare pentole e tegami con diametro del fondo corrispondente al diametro della zona di cottura.

Utilizzare solo pentole e padelle con fondo piatto.

Se possibile, tenere il coperchio sulle pentole durante la cottura.

Utilizzare la pentola a pressione per ridurre il consumo di energia e il tempo di cottura.

DICHIARAZIONE DI CONFORMITÀ

Questo apparecchio soddisfa i requisiti di Ecodesign del regolamento europeo 66/2014 e l'Ecodesign per i prodotti connessi all'energia e le informazioni sull'energia (emendamento) (Uscita UE) Regolamenti 2019 in conformità con la norma europea EN 30-2-1.

Le informazioni relative alla modalità a basso consumo dell'apparecchio in conformità con il Regolamento (UE) 2023/826 sono disponibili al seguente link: <https://docs.emeaappliance-docs.eu>.

Tipo di gas utilizzato	Tipo di bruciatore	Iniettore	Portata termica nominale kW	Consumo nominale	Potenza termica ridotta kW	Pressione del gas mbar		
						min.	nom.	max.
GAS NATURALE (Metano) G20	Rapido (R)	128 B	3,00	286 l/h	0,70	17	20	25
	Semirapido (SR)	97 A	1,65	157 l/h	0,40			
	Ausiliario (AUX)	78 A	1,00	95 l/h	0,40			
	2 corone (DC)	168 Z1	4,80	457 l/h	2,20			
GAS PETROLIO LIQUIDO (Butano) G30	Rapido (R)	85 A	3,00	218 g/h	0,70	20	28-30	35
	Semirapido (SR)	66 A	1,65	120 g/h	0,40			
	Ausiliario (AUX)	50	1,00	73 g/h	0,40			
	2 corone (DC)	107	4,50	327 g/h	2,20			
GAS PETROLIO LIQUIDO (Propano) G31	Rapido (R)	85 A	3,00	214 g/h	0,70	25	37	45
	Semirapido (SR)	66 A	1,65	118 g/h	0,40			
	Ausiliario (AUX)	50	1,00	71 g/h	0,40			
	2 corone (DC)	107	4,50	321 g/h	2,20			

Tipo di gas utilizzato	Configurazione modello 5 BRUCIATORI	Potenza termica nominale (kW)	Consumo totale nominale	Aria necessaria (m ³) per la combustione di 1 m ³ di gas
G20 20 mbar	1R - 2SR - 1AUX - 1DC	12,10	1152 l/h	9,52
G30 28-30 mbar	1R - 2SR - 1AUX - 1DC	11,80	858 g/h	30,94
G31 37 mbar	1R - 2SR - 1AUX - 1DC	11,80	843 g/h	23,80

ALIMENTAZIONE ELETTRICA: 220-240 V ~ 50-60 Hz - 0,6W

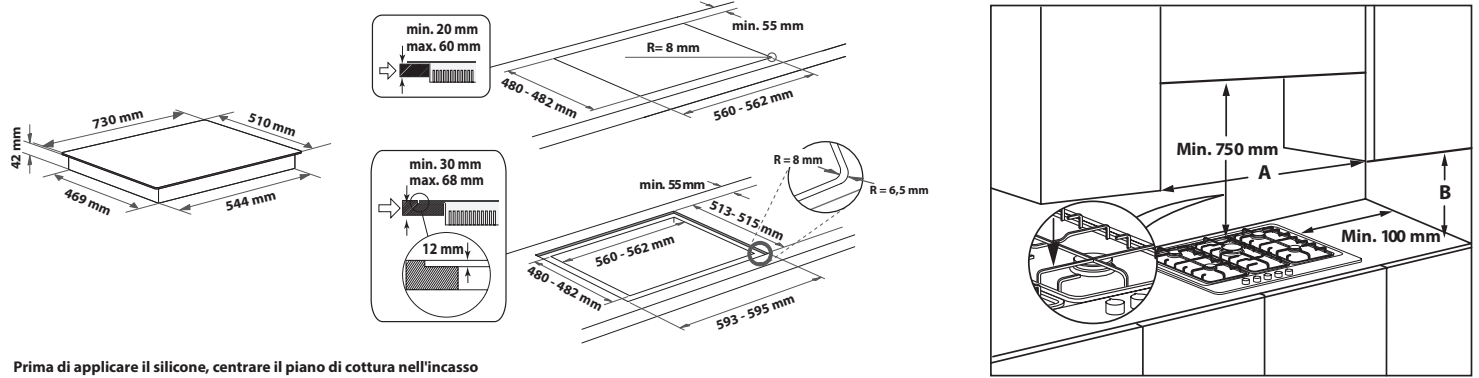


INSTALLAZIONE (CLASSE 3)

INFORMAZIONI TECNICHE PER L'INSTALLATORE

- Utilizzare guanti protettivi per maneggiare, preparare e installare il prodotto.
- Questo prodotto può essere incassato in un top (piano di lavoro) dello spessore di 20 ÷ 60 mm con installazione standard. Per installazione flush 30 ÷ 68 mm.
- Se sotto il piano di cottura non è previsto un forno, inserire un pannello separatore che abbia una superficie pari almeno all'apertura nel piano di lavoro. Tale pannello deve essere posizionato a una distanza massima di 150 mm dalla superficie superiore del piano di lavoro e in nessun caso inferiore a 20 mm dal fondo del piano di cottura. In caso si intenda installare un forno sotto il piano di cottura, assicurarsi che il forno sia dotato di un sistema di raffreddamento.

DIMENSIONI E DISTANZE DA RISPETTARE



Prima di applicare il silicone, centrare il piano di cottura nell'incasso

NOTA: se la distanza "A" tra i pensili è compresa tra 600 mm e 730 mm, l'altezza "B" deve essere minimo 530 mm.

Se la distanza "A" tra i pensili è maggiore della larghezza del piano di cottura, l'altezza "B" deve essere minimo 400 mm.

Qualora venga installata una cappa sopra il piano di cottura, fare riferimento alle istruzioni di montaggio della cappa per la distanza da rispettare.

MONTAGGIO

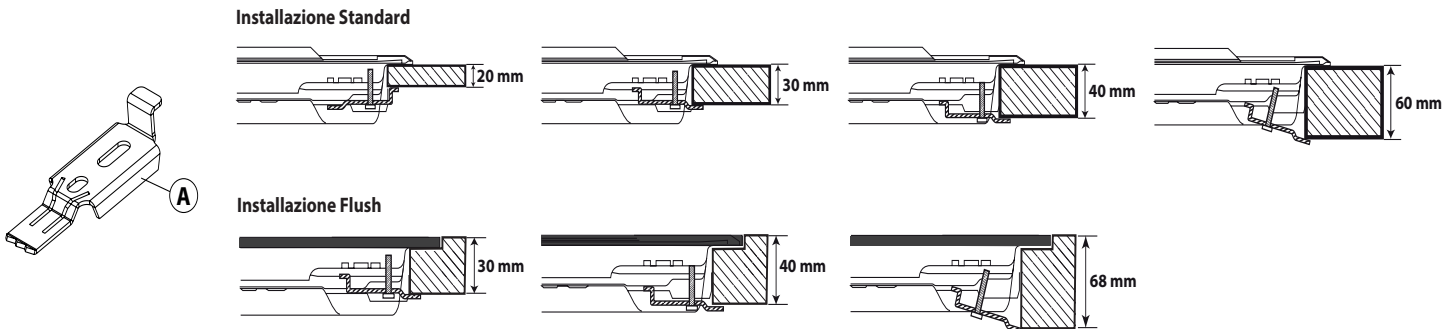
Dopo aver pulito la superficie perimetrale, applicare al piano di cottura la guarnizione in dotazione come mostrato in figura.

Posizionare il piano all'interno dell'apertura praticata secondo le dimensioni indicate nelle istruzioni.



NOTA: il cavo di alimentazione deve essere sufficientemente lungo da permetterne l'estrazione dall'alto.

Per bloccare il piano di cottura, utilizzare le staffe (A) in dotazione. Posizionare le staffe in corrispondenza dei fori evidenziati dalla freccia e fissarle con le apposite viti in modo da adattarle allo spessore del top (vedere le figure seguenti).

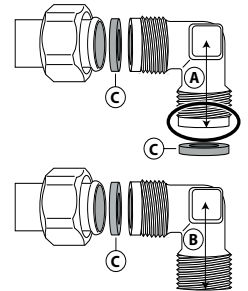


COLLEGAMENTO GAS

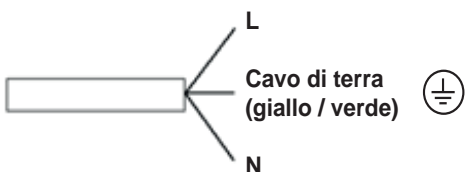
- Collegare il raccordo a gomito (A)* o (B)* fornito insieme al tubo di alimentazione principale del piano di cottura e interporre la guarnizione (C) in dotazione, a norma EN 549.

* Utilizzare il raccordo a gomito (A) per la Francia e il raccordo a gomito (B) per tutti gli altri paesi.

- Dopo il collegamento all'alimentazione del gas, verificare con una soluzione di acqua saponata che non vi siano perdite. Con i bruciatori accesi, ruotare le manopole dalla posizione massima (flame icon) alla posizione minima (no flame icon) per verificare la stabilità della fiamma.



CONNESSIONE ELETTRICA



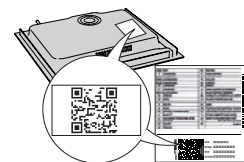
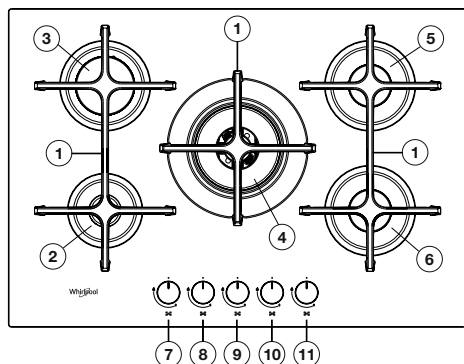
**GRAZIE PER AVERE ACQUISTATO UN PRODOTTO WHIRLPOOL**

Per ricevere un'assistenza più completa, registrare il prodotto su www.register10.eu.



Prima di utilizzare l'apparecchio leggere attentamente le istruzioni di sicurezza.

SI PREGA DI SCANSIONARE IL CODICE QR SUL PROPRIO APPARECCHIO PER OTTENERE MAGGIORI INFORMAZIONI

**DESCRIZIONE DEL PRODOTTO**

1. Griglie amovibili
2. Bruciatore ausiliario
3. Bruciatore rapido
4. Bruciatore 2 corone
5. Bruciatore semirapido
6. Bruciatore semirapido
7. Manopola del bruciatore ausiliario
8. Manopola comando bruciatore rapido
9. Manopola comando bruciatore 2 corone
10. Manopola del bruciatore semirapido
11. Manopola del bruciatore semirapido

Symbols

- Pallino pieno ● Rubinetto chiuso
- Fiamma grande Massima apertura/erogazione e accensione elettrica
- Fiamma piccola Minima apertura o erogazione ridotta

**USO QUOTIDIANO****UTILIZZO DEL PIANO DI COTTURA**

⚠ Non lasciare che la fiamma del bruciatore si estenda oltre il bordo della pentola.

IMPORTANTE: quando è in funzione, tutta la superficie del piano di cottura potrebbe riscaldarsi.

- Per accendere uno dei bruciatori, ruotare la manopola corrispondente in senso antiorario fino a far coincidere l'indice con il simbolo di fiamma massima.
- Premere la manopola contro la mascherina dei comandi per accendere il bruciatore.
- Una volta acceso il bruciatore, è necessario continuare a tenere premuta la manopola per circa 5-10 secondi per consentire il corretto funzionamento del dispositivo.
- Si tratta di un dispositivo di sicurezza che interrompe la fuoriuscita di gas in caso di spegnimento accidentale della fiamma (dovuto a correnti d'aria, interruzione momentanea dell'alimentazione del gas, traboccamenti di liquidi, ecc.).
- **La manopola non deve essere tenuta premuta per più di 15 secondi. Se, trascorso tale tempo, il bruciatore non rimane acceso, attendere almeno un minuto prima di tentare un'ulteriore accensione.**

NOTA: qualora particolari condizioni del gas erogato localmente rendessero difficoltosa l'accensione del bruciatore, si consiglia di ripetere l'operazione con la manopola ruotata sulla posizione della fiamma piccola.

Può accadere che il bruciatore si spenga al momento del rilascio della manopola. Ciò indica che il dispositivo di sicurezza non si è scaldato a sufficienza. In questo caso, ripetere le operazioni sopra descritte.

Nel caso di una estinzione accidentale delle fiamme del bruciatore, chiudere la manopola di comando e non tentare di accenderlo per almeno 1 minuto.

CONSIGLI PRATICI PER L'USO DEI BRUCIATORI

Questo piano di cottura è dotato di bruciatori con diametri diversi. Al fine di ottenere il massimo rendimento, è utile attenersi alle seguenti regole:

- utilizzare pentole e tegami di diametro pari o leggermente superiore al diametro dei bruciatori (vedere la tabella a destra);
- utilizzare soltanto pentole e tegami con fondi piatti;
- utilizzare la giusta quantità d'acqua per la cottura dei cibi e usare il coperchio;
- evitare che le pentole, posizionate sulle griglie, fuoriescano dal perimetro del piano di cottura;
- nel caso di recipienti con fondo convesso (WOK), utilizzare la griglia di supporto che deve essere posizionata solo sul bruciatore multicorona;
- evitare urti accidentali con pentole, griglie o altri utensili da cucina;
- non lasciare bisteccchiere vuote sul fornello acceso per più di 5 minuti.

IMPORTANTE: l'uso improprio delle griglie potrebbe danneggiare il piano; evitare di appoggiare le griglie capovolte o di trascinarle sul piano.

BRUCIATORE	Ø RECIPIENTI
2 Corone	da 24 a 26 cm
Rapido	da 24 a 26 cm
Semirapido	da 16 a 22 cm
Ausiliario	da 8 a 14 cm

Non utilizzare:

- bisteccchiere in ghisa, supporti in pietra naturale, tegami o pentole in terracotta;
- dissipatori di rete metallica o di altro tipo;
- due bruciatori simultaneamente per la cottura con un solo recipiente (ad esempio una pesciera).

I liquidi versati sul piano cottura caldo possono causare danni al vetro.

ADATTAMENTO AI DIVERSI TIPI DI GAS

⚠ Questa operazione deve essere eseguita da un tecnico qualificato.

In caso di utilizzo con un gas diverso da quello indicato sulla targhetta matricola e sull'etichetta informativa posta sulla parte superiore del piano di cottura, è necessario sostituire gli iniettori.

L'etichetta informativa va rimossa e conservata insieme al libretto istruzioni.

Utilizzare regolatori di pressione idonei alla pressione del gas indicata nelle istruzioni:

- per la sostituzione degli iniettori del gas, rivolgersi al servizio assistenza o a un tecnico qualificato;
- gli iniettori non forniti in dotazione devono essere richiesti al servizio assistenza;
- regolare il minimo dei rubinetti.

NOTA: se si utilizza gas di petrolio liquefatto (G30/G31), la vite di regolazione del minimo deve essere avvitata a fondo.

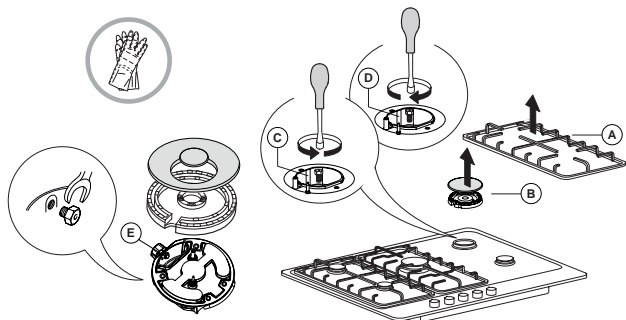
IMPORTANTE: se la rotazione delle manopole dei bruciatori dovesse risultare difficoltosa, contattare il Servizio di assistenza tecnica autorizzato che provvederà alla sostituzione del rubinetto, se difettoso.

IMPORTANTE: se si utilizza la bombola del gas, questa deve essere posizionata correttamente (orientamento verticale).

SOSTITUZIONE DEGLI INIETTORI (per il tipo vedere tabella ugelli nelle Norme di Sicurezza)

⚠ Questa operazione deve essere eseguita da un tecnico qualificato.

- Rimuovere le griglie (A).
- Estrarre i bruciatori (B).
- Con una chiave a tubo della dimensione appropriata, svitare l'iniettore da sostituire (C).
- Sostituirlo con l'iniettore previsto per il nuovo tipo di gas.
- Rimontare l'iniettore in (D).
- Se si dispone di un bruciatore a corona multipla, utilizzare una chiave laterale per sostituire l'iniettore (E).



Prima di installare il piano di cottura, ricordarsi di applicare la targhetta di taratura gas fornita con gli iniettori di ricambio, in modo che copra le informazioni già presenti.

PULIZIA E CURA

⚠ Scollegare l'alimentazione prima di eseguire la manutenzione.

PULIZIA DEL PIANO COTTURA

- Le parti smaltate e in vetro vanno lavate con acqua calda e detergente neutro.
- L'acqua calcarea o detersivi aggressivi potrebbero lasciare macchie sulle superfici in acciaio inox, se rimangono a contatto troppo a lungo. Eliminare prontamente eventuali residui di cibo (acqua, sugo, caffè, ecc.) prima che si seccino.
- Pulire con acqua calda e detergente neutro, quindi asciugare con un panno morbido o una pelle di daino. In caso di sporco difficile, usare esclusivamente detersivi indicati per le superfici in acciaio inox.

NOTA: pulire le superfici in acciaio inox solo con un panno morbido o una pugna.

- Non utilizzare prodotti abrasivi o corrosivi, prodotti a base di cloro o pagliette.
- Non utilizzare pulitrici a getto di vapore.
- Non utilizzare prodotti infiammabili.
- Evitare di lasciare sul piano sostanze acide o alcaline come aceto, mostarda, sale, zucchero o succo di limone.

RISOLUZIONE DEI PROBLEMI

Se il piano cottura non funziona correttamente, prima di chiamare l'assistenza esaminare questa guida rapida per individuare il problema.

1. Il bruciatore non si accende o la fiamma non è uniforme

Controllare che:

- non ci siano interruzioni nella rete di alimentazione del gas ed elettrica e, in particolare, che il rubinetto del gas sia aperto;
- la bombola del gas liquido non si sia esaurita;
- le aperture del bruciatore non siano ostruite;
- la parte terminale della candelina non sia sporca;
- tutte le parti che compongono il bruciatore siano posizionate correttamente;
- non ci siano correnti d'aria in prossimità del piano.

2. La fiamma non rimane accesa

Controllare che:

- la manopola sia stata premuta a fondo durante l'accensione del bruciatore per il tempo sufficiente ad attivare il dispositivo di sicurezza;
- le aperture del bruciatore non siano ostruite in corrispondenza della termocoppia;
- la parte terminale del dispositivo di sicurezza non sia sporca;
- la regolazione del minimo sia corretta (vedere il paragrafo corrispondente).

REGOLAZIONE DEL MINIMO DEI BRUCIATORI

⚠ Questa operazione deve essere eseguita da un tecnico qualificato.

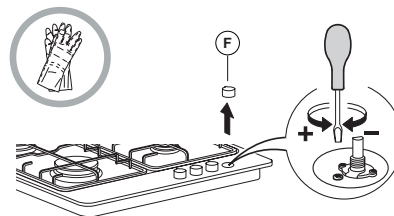
La regolazione deve essere eseguita con il rubinetto nella posizione di minimo (fiamma piccola).

Non occorre regolare l'aria primaria dei bruciatori.

Per garantire una corretta regolazione del minimo, rimuovere la manopola e procedere nel modo seguente:

- avvitare la vite per ridurre l'altezza della fiamma (-);
- allentare la vite per aumentare l'altezza della fiamma (+);

Con i bruciatori accesi, ruotare le manopole dalla posizione massima 🔥 alla posizione minima 🔹 per verificare la stabilità della fiamma.



Terminata la regolazione, ripristinare i sigilli con ceralacca o materiale equivalente.

PULIZIA DEI COMPONENTI DEL PIANO

- Le griglie, i cappellotti e i bruciatori sono rimovibili per facilitarne la pulizia.
- Lavarli a mano con acqua calda e detersivo non aggressivo avendo cura di eliminare eventuali incrostazioni e controllando che nessuna delle aperture del bruciatore sia otturata.
- Sciacquare e asciugare.
- **Le griglie in ghisa possono essere pulite in lavastoviglie. Rimuovere eventuali residui di cibo bruciato prima di riporre le griglie nel cestello più basso della lavastoviglie.**
- Rimontare correttamente bruciatori e cappellotti nelle rispettive sedi.
- Nel riposizionare le griglie, assicurarsi che la zona di appoggio delle pentole sia allineata con il bruciatore.
- Nei modelli dotati di candeline di accensione elettrica e di termocoppie di sicurezza, occorre procedere a un'accurata pulizia della parte terminale della candelina per assicurarne il buon funzionamento. Controllare questi componenti frequentemente e, se necessario, pulirli con un panno umido. Eventuali residui di cibo secchi vanno rimossi con uno stuzzicadenti o un ago.

NOTA: per evitare danni all'accensione elettrica, non utilizzarla quando i bruciatori non sono nella loro sede.

3. I recipienti sono instabili

Controllare che:

- il fondo del recipiente sia perfettamente piano;
- il recipiente sia centrato sul bruciatore;
- le griglie non siano state invertite o posizionate in modo errato.

Se dopo le suddette verifiche il problema persiste, contattare il Servizio Assistenza più vicino.

SERVIZIO ASSISTENZA

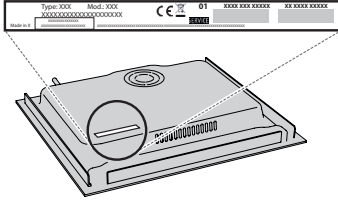
PRIMA DI CHIAMARE IL SERVIZIO ASSISTENZA:

1. Verificare se non sia possibile eliminare da soli i guasti. Vedere **"RISOLUZIONE DEI PROBLEMI"**.
2. Spegner e riaccendere l'apparecchio per assicurarsi che l'inconveniente sia stato eliminato.

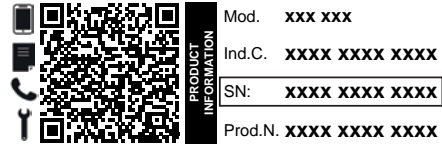
SE DOPO I SUDETTI CONTROLLI IL PROBLEMA PERSISTE, CONTATTARE IL SERVIZIO ASSISTENZA PIÙ VICINO.

Quando si contatta il nostro servizio assistenza, indicare sempre:

- una breve descrizione del guasto;
- il tipo e il modello esatti del prodotto;



- il numero di serie (è il numero che si trova dopo la parola SN sulla targhetta matricola posta sotto l'apparecchio). Il numero di serie è indicato anche nella documentazione;



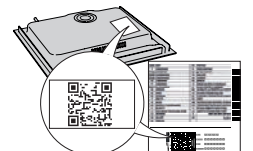
- il proprio indirizzo completo;
- il proprio numero di telefono.

Qualora si renda necessaria una riparazione, rivolgersi ad un centro del Servizio Assistenza (a garanzia dell'utilizzo di pezzi di ricambio originali e di una corretta riparazione).

Per le linee guida, la documentazione standard e altre informazioni sui prodotti:

- Utilizzando il codice QR nel proprio apparecchio;
- Visitando il nostro sito web docs.whirlpool.eu/docs;
- Oppure, **contattare il Servizio Assistenza Tecnica** (al numero di telefono riportato sul libretto di garanzia). Prima di contattare il Servizio Assistenza Clienti, prepararsi a fornire i codici riportati sulla targhetta matricola del prodotto.

®/TM/ © 2024 Whirlpool. Prodotto su licenza.



INSTRUCCIONES DE SEGURIDAD

ES IMPORTANTE QUE LEA Y SIGA LAS SIGUIENTES RECOMENDACIONES

⚠ Estas instrucciones son válidas si el símbolo del país aparece en el aparato. Si el símbolo no aparece en el aparato, deberá consultar las instrucciones técnicas que le proporcionarán la información necesaria para modificar el aparato y adaptarlo a las condiciones de uso del país.

⚠ **PRECAUCIÓN:** El uso de los aparatos de gas para cocinar produce calor, humedad y productos de la combustión en la habitación en la que está instalado. Asegúrese de que la cocina está bien ventilada, sobre todo cuando se está utilizando el aparato: mantenga los orificios de ventilación natural o instale un dispositivo de ventilación mecánica (campana extractora). El uso intensivo prolongado del aparato puede requerir ventilación adicional, como la apertura de una ventana, o una ventilación más eficaz, aumentando, por ejemplo, el nivel de la ventilación mecánica (si es posible).

⚠ Si no sigue la información de este manual con exactitud, podría provocarse un incendio o una explosión que podría causar daños o lesiones personales.

Antes de usar el aparato, lea atentamente estas instrucciones de seguridad. Téngalas a mano para consultarlas más adelante. Tanto estas instrucciones como el aparato contienen importantes advertencias de seguridad, que deben respetarse en todo momento. El fabricante declina cualquier responsabilidad derivada del incumplimiento de estas instrucciones de seguridad, del uso indebido del aparato o del ajuste incorrecto de los mandos.

⚠ **ADVERTENCIA:** Si la superficie de la placa está agrietada, no utilice el aparato, hay riesgo de descarga eléctrica.

⚠ **ADVERTENCIA:** Peligro de incendio: No deje ningún objeto sobre las superficies de cocción.

⚠ **PRECAUCIÓN:** El proceso de cocción tiene que ser supervisado. Un proceso de cocción corto tiene que ser supervisado continuamente.

⚠ **ADVERTENCIA:** Cocinar con grasa o aceite en una placa sin vigilancia puede resultar peligroso, hay riesgo de incendio. No intente NUNCA apagar un incendio con agua. Apague el aparato y cubra la llama con, por ejemplo, una tapa o una manta ignífuga.

⚠ No utilice la placa como superficie de trabajo o apoyo. Mantenga los paños y otros materiales inflamables alejados del aparato hasta que todos los componentes se hayan enfriado por completo; hay riesgo de incendio.

⚠ Mantenga a los niños menores de 3 años alejados del aparato. Los niños pequeños (3-8 años) deben mantenerse alejados del aparato, a menos que estén bajo vigilancia constante. Tanto los niños a partir de 8 años como las personas cuyas capacidades físicas, sensoriales o mentales estén disminuidas o que carezcan de la experiencia y conocimientos necesarios pueden utilizar este aparato si reciben la supervisión o las instrucciones necesarias para utilizarlo de forma segura y comprenden los riesgos a los que se exponen. Los niños no deberán jugar con el aparato. Los niños no deben encargarse de la limpieza y el mantenimiento, a menos que estén supervisados.

⚠ **PRECAUCIÓN:** Si se rompe el cristal de la placa: apague inmediatamente todos los quemadores y resistencias eléctricas y desconecte el suministro eléctrico del aparato; no toque la superficie del aparato; no utilice el aparato.

La tapa de vidrio puede romperse si se calienta. Apague todos los quemadores y las placas eléctricas antes de cerrar la tapa. No cierre la tapa con el quemador encendido.

⚠ **ADVERTENCIA:** El aparato y las partes accesibles se calientan durante el uso. Es necesario prestar atención para no tocar los elementos calefactores. Mantenga alejados a los niños menores 8 años salvo que sean supervisados continuamente.

⚠ Los alimentos no deben permanecer dentro o sobre el producto más de una hora, ya sea antes o después de la cocción.

USO PERMITIDO

⚠ **PRECAUCIÓN:** el aparato no está destinado a ponerse en funcionamiento por medio de un dispositivo de encendido externo, como un temporizador, o de un sistema de control remoto independiente.

⚠ Este aparato está destinado a un uso en ambientes domésticos o en ambientes similares como: áreas de cocina en oficinas, tiendas y otros; granjas; por los clientes de hoteles, moteles, hostales y otros entornos residenciales.

⚠ No se admite ningún otro uso (p. ej., calentar habitaciones).

⚠ Este aparato no es para uso profesional. No utilice el aparato al aire libre.

⚠ Utilice recipientes cuya base tenga un diámetro igual o ligeramente superior al de los quemadores (consulte la tabla específica). No utilice ollas que sobresalgan por el borde de la placa.

⚠ El uso inadecuado de las parrillas puede dañar la placa: no coloque las parrillas boca abajo ni las arrastre sobre la placa.

No deje que la llama del quemador supere el borde de la sartén.

Si la superficie de la placa es de vidrio, no utilice planchas de hierro colado ni cacerolas u ollas de piedra o barro.

No utilice: Difusores de calor como rejillas metálicas o de otro tipo. Dos quemadores simultáneamente para un recipiente (por ejemplo, un recipiente para pescado).

Si, debido a las condiciones del gas suministrado localmente, es difícil encender el quemador, se aconseja repetir la operación con el mando en la posición del símbolo de la llama pequeña.

Si va a instalar un extractor sobre la superficie de cocción, consulte las instrucciones del extractor para saber cuál es la distancia correcta.

Los asientos protectores de goma situados debajo de las rejillas representan un riesgo y los niños pueden atragantarse en caso de que los traguen. Una vez retiradas las parrillas, asegúrese de que todos los pies estén correctamente montados.

INSTALACIÓN

⚠ La manipulación e instalación del aparato la deben realizar dos o más personas, ya que hay riesgo de lesiones. Utilice guantes de protección para el desembalaje y la instalación, ya que hay riesgo de cortes.

⚠ Las conexiones eléctricas y de gas deben cumplir la normativa local.

⚠ La instalación, incluido el suministro de agua (si lo hay) y las conexiones eléctricas y las reparaciones, deben ser realizadas por un técnico cualificado. No realice reparaciones ni sustituya piezas del aparato a menos que así se indique específicamente en el manual del usuario. Mantenga a los niños alejados del lugar de instalación. Tras desembalar el aparato, compruebe

que no ha sufrido daños durante el transporte. Si observa algún problema, póngase en contacto con el distribuidor o el Servicio Postventa más cercano. Una vez instalado el aparato, mantenga los restos de embalaje (plásticos, piezas de poliestireno extruido, etc.) fuera del alcance de los niños, ya que existe riesgo de asfixia. El aparato debe estar desenchufado de la corriente antes de empezar la instalación, ya que existe riesgo de descarga eléctrica. Cuando realice la instalación, asegúrese de que el aparato no dañe el cable de alimentación, ya que existe riesgo de incendio o de descarga eléctrica. No active el aparato hasta haberlo instalado por completo.

⚠ **ADVERTENCIA:** La modificación del aparato y su método de instalación son esenciales para poder utilizarlo de forma segura y correcta en otros países.

⚠ Utilice reguladores de presión adecuados para las presiones de gas que se indican en las instrucciones de instalación.

⚠ La habitación debe estar equipada con un sistema de extracción de aire que expulse los humos de combustión.

⚠ La habitación también debe permitir una adecuada circulación del aire, ya que para la combustión normal se necesita aire. El caudal de aire no debe ser inferior a 2 m³/h por kW de potencia instalada.

⚠ El sistema de circulación de aire puede tomar el aire directamente del exterior mediante un tubo que tenga una sección transversal interior de al menos 100 cm²; la abertura no debe ser vulnerable a ningún tipo de obstrucción.

⚠ El sistema también puede proporcionar el aire necesario para la combustión indirectamente, por ejemplo, de las habitaciones contiguas equipadas con los tubos de circulación de aire anteriormente descritos. Sin embargo, estas habitaciones no podrán ser salas comunales, dormitorios ni habitaciones ya que pueden presentar un peligro de incendio.

⚠ El gas licuado va hacia el suelo porque es más pesado que el aire. Por lo tanto, las habitaciones donde se encuentren las bombonas de GLP también deberán estar equipadas con rejillas de ventilación para permitir que el gas se escape en caso de fuga. Como resultado, las bombonas de GLP, ya estén parcial o completamente llenas, no deberán instalarse ni almacenarse en lugares que estén por debajo del nivel del suelo (sótanos, etc.). Es aconsejable mantener en la habitación solamente la bombona que se está utilizando, colocada de modo que no esté sometida al calor producido por fuentes externas (hornos, chimeneas, estufas, etc.) que podrían elevar la temperatura de la bombona por encima de los 50°C.

Si tiene dificultades para girar los mandos de los quemadores, póngase en contacto con el Servicio de Asistencia Técnica para que sustituyan las tapas del quemador.

Las aberturas utilizadas para la ventilación y la dispersión del calor deben cubrirse.

⚠ Realice todas las tareas de corte del armario antes de instalar el aparato en el alojamiento y retire por completo todas las virutas de madera y el serrín.

⚠ Si el aparato no está instalado encima de un horno, debe instalarse un panel separador (no incluido) en el compartimento debajo del aparato.

CONEXIÓN DEL GAS

⚠ **ADVERTENCIA:** Antes de la instalación, asegúrese de que las condiciones locales de distribución (tipo y presión del gas) y la configuración del aparato sean compatibles.

⚠ Compruebe que la presión del suministro de gas sea conforme a los valores indicados en la Tabla "Especificaciones de los quemadores".

⚠ **ADVERTENCIA:** Las condiciones de configuración de este aparato se indican en la etiqueta (o placa de datos).

⚠ **ADVERTENCIA:** Este aparato no está conectado a un dispositivo de evacuación de humos. Debe estar instalado y conectado de acuerdo con la legislación vigente. Deben tenerse en cuenta los requisitos de ventilación.

⚠ Si los aparatos están conectados al gas licuado, el tornillo de regulación debe apretarse lo más fuerte posible.

⚠ **IMPORTANTE:** Si se instala una bombona de gas o un recipiente de gas, se deberá colocar correctamente (orientación vertical).

⚠ **ADVERTENCIA:** Esta operación debe realizarla un técnico cualificado.

⚠ Para las conexiones de gas, use solo tuberías flexibles o rígidas de metal.

⚠ **Conexión con un tubo rígido (cobre o acero)** La conexión a la instalación de gas debe realizarse de manera que no suponga ningún esfuerzo en el aparato. Hay un empalme en forma de L en la rampa de alimentación del aparato y está provisto de una junta estanca para evitar fugas. La junta estanca deberá sustituirse siempre después de girar el empalme del tubo (la junta se incluye con el aparato). El tubo de suministro de gas se conecta mediante un acoplamiento cilíndrico roscado de 1/2.

⚠ **Conexión de un tubo de acero inoxidable flexible sin junta a un acoplamiento roscado** El tubo de suministro de gas se conecta mediante un acoplamiento cilíndrico roscado de 1/2. Estos tubos deben instalarse de manera que nunca tengan más de 2000 mm cuando estén completamente extendidos. Cuando la conexión esté realizada, asegúrese de que el tubo metálico flexible no toque ninguna pieza móvil y no esté comprimido. Utilice únicamente tubos y sellos conformes con las normas nacionales en vigor.

⚠ **IMPORTANTE:** Si se utiliza un tubo flexible de acero inoxidable, debe instalarse de modo que no toque las partes móviles del mueble (p. ej. el cajón). Debe pasar por una zona sin obstrucciones y en la que sea posible inspeccionarlo en toda su longitud.

⚠ El aparato debe ser conectado al suministro principal de gas o a la bombona de gas de conformidad con las normativas nacionales vigentes. Antes de realizar la conexión, asegúrese de que el aparato sea compatible con el suministro de gas que desea utilizar. De lo contrario, siga las instrucciones indicadas en el apartado "Adaptación a los distintos tipos de gas".

⚠ Tras realizar la conexión con el suministro de gas, compruebe si hay fugas mediante la aplicación de agua jabonosa. Encienda los quemadores y gire los mandos desde la posición máxima 1* hasta la posición mínima 2* para comprobar la estabilidad de la llama.

ADAPTACIÓN A OTROS TIPOS DE GAS

(Esta operación debe llevarla a cabo un técnico cualificado).

⚠ Para adaptar el aparato a un tipo de gas distinto del tipo de gas para el que se ha fabricado (que se indica en la etiqueta

identificativa), siga los pasos específicos que se encuentran después de los dibujos de la instalación.

ADVERTENCIAS DE ELECTRICIDAD

⚠ IMPORTANTE: La información relativa a la tensión y la absorción de potencia se encuentra en la placa de características.

⚠ El cable de alimentación debe ser suficientemente largo para permitir la conexión del aparato, una vez empotrado en el mueble, a la red eléctrica. No tire del cable de alimentación.

⚠ Debe ser posible desconectar el aparato de la alimentación eléctrica desenchufándolo si el enchufe es accesible o mediante un interruptor omnipolar instalado antes del enchufe, de conformidad con las normativas de cableado y el aparato debe conectarse a una toma de tierra de acuerdo con las normativas de seguridad vigentes en materia de electricidad.

⚠ No utilice alargadores, regletas ni adaptadores. Una vez terminada la instalación, los componentes eléctricos no deberán quedar accesibles para el usuario. No utilice el aparato si está mojado o va descalzo. No use este aparato si tiene un cable o un enchufe de red dañado, si no funciona bien, o si se ha dañado o se ha caído.

⚠ Si el cable de alimentación está dañado, el fabricante, su agente de servicio técnico o una persona igualmente cualificada deberán sustituirlo para evitar peligros, ya que hay riesgo de descarga eléctrica.

LIMPIEZA Y MANTENIMIENTO

⚠ ADVERTENCIA: Asegúrese de que el aparato esté apagado y desconectado del suministro eléctrico antes de realizar cualquier operación de mantenimiento; no utilice aparatos de limpieza con vapor, hay riesgo de descarga eléctrica.

⚠ No utilice productos abrasivos o corrosivos, limpiadores con cloro ni estropajos metálicos.

⚠ Para evitar daños al dispositivo de encendido eléctrico, no lo utilice si los quemadores están fuera de su alojamiento.

ELIMINACIÓN DEL MATERIAL DE EMBALAJE

El material de embalaje es 100% reciclable y está marcado con el símbolo de reciclaje




Por lo tanto, deberá desechar las diferentes piezas del embalaje de forma responsable, respetando siempre las normas locales sobre eliminación de residuos.

ELIMINACIÓN DE LOS ELECTRODOMÉSTICOS

Este aparato ha sido fabricado con material reciclable o reutilizable. Debe desecharse de acuerdo con la normativa local al respecto. Para obtener información más detallada sobre el tratamiento, recuperación y reciclaje de electrodomésticos, póngase en contacto con las autoridades locales, con el servicio de recogida de residuos domésticos, o con la tienda en la que adquirió el aparato. Este electrodoméstico lleva el marcado CE de conformidad con la Directiva Europea 2012/19/UE sobre Residuos de Aparatos Eléctricos y Electrónicos (RAEE) y con la normativa de Residuos de Aparatos Eléctricos y Electrónicos de 2013 (modificada).

La correcta eliminación de este producto evita consecuencias negativas para el medio ambiente y la salud.

El símbolo  que se incluye en el aparato o en la documentación que lo acompaña indica que no puede tratarse como un residuo doméstico, sino que debe entregarse en un punto de recogida adecuado para el reciclado de aparatos eléctricos y electrónicos.

CONSEJOS PARA AHORRAR ENERGÍA

Utilice recipientes cuyo fondo tenga un diámetro igual al de la zona de cocción.

Utilice exclusivamente recipientes con fondo plano.

Cuando sea posible, tape los recipientes durante la cocción.

Utilice una olla de presión para ahorrar aún más energía y tiempo.

DECLARACIÓN DE CONFORMIDAD

Este aparato cumple con los requisitos de diseño ecológico del Reglamento europeo n.º 66/2014 y con el Reglamento de diseño ecológico aplicable a los productos relacionados con la energía y el Reglamento sobre la información energética (enmienda) (salida de la UE) de 2019, en cumplimiento con la norma europea EN 30-2-1.

La información relacionada con el modo de bajo consumo del aparato de acuerdo con el Reglamento (UE) 2023/826 se puede encontrar en el siguiente enlace: <https://docs.emeaappliance-docs.eu>.

Tipo de gas empleado	Tipo de quemador	Referencia del inyector	Caudal térmico nominal kW	Consumo nominal	Capacidad térmica reducida kW	Presión del gas mbar		
						min.	nom.	máx.
GAS NATURAL (Metano) G20	Rápido (R)	128 B	3,00	286 l/h	0,70	17	20	25
	Semirrápido (SR)	97 A	1,65	157 l/h	0,40			
	Auxiliar (AUX)	78 A	1,00	95 l/h	0,40			
	2 Anillos (DC)	168 Z1	4,80	457 l/h	2,20			
GAS LICUADO DE PETRÓLEO (Butano) G30	Rápido (R)	85 A	3,00	218 g/h	0,70	20	28-30	35
	Semirrápido (SR)	66 A	1,65	120 g/h	0,40			
	Auxiliar (AUX)	50	1,00	73 g/h	0,40			
	2 Anillos (DC)	107	4,50	327 g/h	2,20			
GAS LICUADO DE PETRÓLEO (Propano) G31	Rápido (R)	85 A	3,00	214 g/h	0,70	25	37	45
	Semirrápido (SR)	66 A	1,65	118 g/h	0,40			
	Auxiliar (AUX)	50	1,00	71 g/h	0,40			
	2 Anillos (DC)	107	4,50	321 g/h	2,20			

Tipo de gas empleado	Configuración del modelo 5 QUEMADORES	Caudal térmico nominal (kW)	Consumo total nominal	Aire necesario (m ³) para la combustión de 1m ³ de gas
G20 20 mbar	1R - 2SR - 1AUX - 1DC	12,10	1152 l/h	9,52
G30 28-30 mbar	1R - 2SR - 1AUX - 1DC	11,80	858 g/h	30,94
G31 37 mbar	1R - 2SR - 1AUX - 1DC	11,80	843 g/h	23,80

SUMINISTRO ELÉCTRICO: 220-240 V ~ 50-60 Hz - 0,6 W

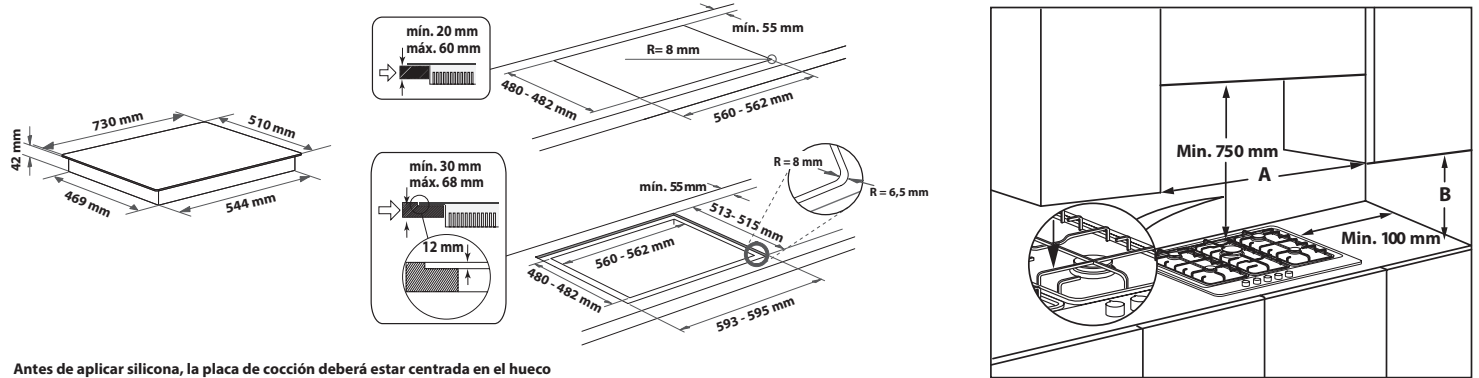


INSTALACIÓN (CLASE 3)

INFORMACIÓN TÉCNICA PARA EL INSTALADOR

- Utilice guantes de protección para manipular, preparar e instalar el electrodoméstico.
- Este producto se puede empotrar en una encimera de entre 20 y 60 mm con instalación estándar. Para instalación empotrada 30 ÷ 68 mm de grosor.
- Si no hay horno instalado debajo de la placa, inserte un panel de separación con una superficie que, como mínimo, sea igual al tamaño de la abertura en la encimera. Este panel debe estar situado a una distancia máxima de 150 mm por debajo de la parte superior de la superficie de trabajo y en ningún caso, a menos de 20 mm de la parte inferior de la placa. Si desea instalar un horno debajo de la placa, asegúrese de que esté equipado con un sistema de refrigeración.

DIMENSIONES Y DISTANCIAS QUE DEBEN RESPETARSE



Antes de aplicar silicona, la placa de cocción deberá estar centrada en el hueco

NOTA: si la distancia "A" entre los armarios de la pared es de 600 mm a 730 mm, la altura "B" debe ser de 530 mm como mínimo. Si la distancia "A" entre los armarios de la pared es mayor que la anchura de la zona de trabajo, la altura "B" debe ser de 400 mm como mínimo. Si se instala un extractor sobre la superficie de cocina, consulte las instrucciones del extractor para saber cuál es la distancia correcta.

MONTAJE

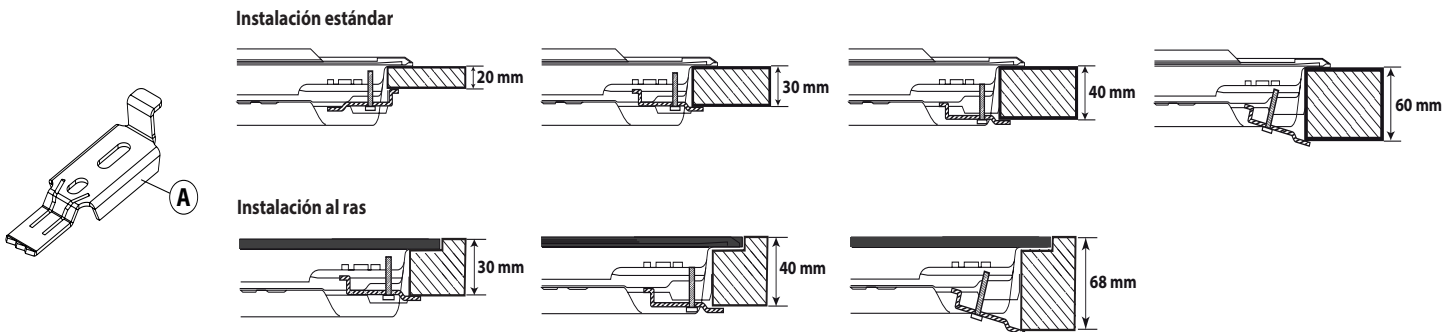
Una vez se haya limpiado el perímetro, coloque la junta en la placa como se muestra en la figura.

Coloque la placa en la abertura realizada en la encimera respetando las dimensiones indicadas en las instrucciones.



NOTA: el cable de alimentación debe tener la longitud suficiente para que se pueda extraer hacia arriba.

Para fijar la placa, utilice las abrazaderas (A) suministradas. Coloque las abrazaderas en las ranuras correspondientes indicadas por las flechas y fíjelas mediante tornillos apropiados para el grosor de la encimera (consulte las siguientes figuras).

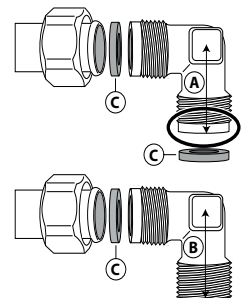


CONEXIÓN DEL GAS

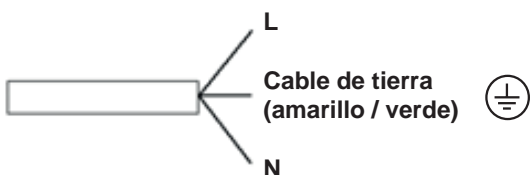
- Conecte el tubo acodado (A)* o (B)* a la tubería principal de entrada a la placa e interponga la arandela (C), de acuerdo con la norma EN 549.

* Use el tubo acodado (A) para Francia y el (B) para los demás países.

- Tras realizar la conexión con el suministro de gas, compruebe si hay fugas mediante la aplicación de agua jabonosa. Encienda los quemadores y gire los mandos desde la posición máxima hasta la posición mínima para comprobar la estabilidad de la llama.



CONEXIÓN ELÉCTRICA





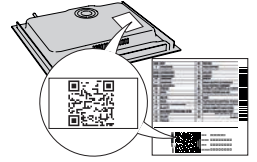
GRACIAS POR ADQUIRIR UN PRODUCTO WHIRLPOOL

Para recibir una asistencia más completa, registre su producto en www.register10.eu.

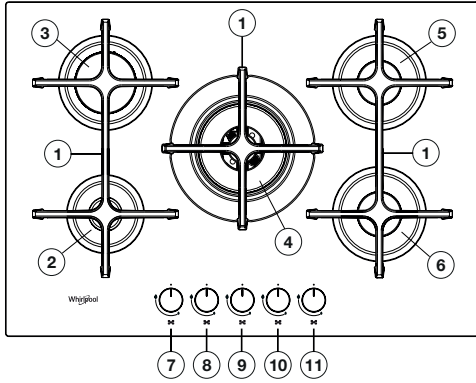


Antes de usar el aparato, lea atentamente las Instrucciones de seguridad.

ESCANEE EL CÓDIGO QR DE SU APARATO PARA OBTENER MÁS INFORMACIÓN





DESCRIPCIÓN DEL PRODUCTO



1. Rejillas amovibles
2. Quemador auxiliar
3. Quemador rápido
4. Quemador de 2 anillos
5. Quemador semirrápido
6. Quemador semirrápido
7. Mando del quemador auxiliar
8. Mando del quemador rápido
9. Mando del quemador de 2 anillos
10. Mando del quemador semirrápido
11. Mando del quemador semirrápido

Símbolos

- Círculo sombreado ● Mando cerrado
- Llama grande  Apertura/potencia máxima y encendido eléctrico
- Llama pequeña  Apertura mínima o potencia reducida



USO DIARIO

USO DE LA PLACA

 No deje que la llama del quemador supere el borde de la sartén.

IMPORTANTE: cuando esté usando la placa, toda el área de la placa se puede poner caliente.

- Para encender uno de los quemadores, gire el mando correspondiente en dirección contraria a la de las agujas del reloj hasta la posición de llama al máximo.
- Presione el mando contra el panel de control para encender el quemador.
- Una vez encendido el quemador, mantenga el mando presionado durante unos 5-10 segundos para activar el dispositivo de seguridad.
- La finalidad del dispositivo de seguridad es cortar el suministro de gas al quemador si la llama se apaga accidentalmente (debido a corrientes de aire, interrupciones del suministro de gas, rebosamiento de líquidos, etc.).
- El mando no debe presionarse durante más de 15 segundos. Si transcurrido este tiempo el quemador no permanece encendido, espere al menos un minuto antes de intentar encenderlo de nuevo.

NOTA: Si, debido a las condiciones del gas suministrado localmente, es difícil encender el quemador, se aconseja repetir la operación con el mando en la posición del símbolo de la llama pequeña.

El quemador puede apagarse al soltar el mando. Esto significa que el dispositivo de seguridad no se ha calentado lo suficiente. En tal caso, repita los pasos anteriores. Si se apagara accidentalmente la llama del quemador, cierre el mando y vuelva a intentar encenderlo después de 1 minuto, como mínimo.

CONSEJOS PRÁCTICOS PARA UTILIZAR LOS QUEMADORES

La placa dispone de quemadores de distintos diámetros. Para conseguir un rendimiento óptimo de los quemadores se recomienda respetar las normas siguientes:

- utilice recipientes cuya base tenga un diámetro igual o ligeramente superior al de los quemadores (consulte la tabla de la derecha);
- utilice exclusivamente ollas y sartenes con fondo plano;
- utilice la cantidad de agua correcta para cocinar alimentos con el recipiente tapado;
- no utilice ollas que sobresalgan más allá del borde de la placa;
- En el caso de sartenes con la base convexa, tipo wok, utilice la rejilla de apoyo (no suministrada); colóquela únicamente en el quemador de anillos múltiples.
- Evitar golpes accidentales con ollas, rejillas u otros utensilios de cocina
- No dejar parrillas para bistecs vacías somber la himalla encendida durante más de 5 minutos.

IMPORTANTE: El uso inadecuado de las parrillas puede dañar la placa: no coloque las parrillas boca abajo ni las arrastre sobre la placa.

QUEMADOR	Ø DE RECIPIENTE
2 Anillos	De 24 a 26 cm
Rápido	De 24 a 26 cm
Semirrápido	De 16 a 22 cm
Auxiliar	De 8 a 14 cm

No utilice:

- planchas de hierro colado ni cacerolas u ollas de piedra o barro;
- difusores de calor como rejillas metálicas o de otro tipo;
- dos quemadores simultáneamente para un recipiente (por ejemplo, un recipiente para pescado).

Los líquidos derramados sobre el área de la encimera caliente pueden dañar el vidrio.

AJUSTES PARA OTROS TIPOS DE GAS

 Esta operación debe realizarla un técnico cualificado.

Si el aparato va a utilizarse con un tipo de gas distinto al especificado en la placa de datos y en el adhesivo informativo pegado sobre la placa, cambie los inyectores. Quite el adhesivo informativo y guárdelo con el manual de instrucciones.

Utilice reguladores de presión adecuados para las presiones de gas que se indican en las instrucciones de instalación:

- el cambio del inyector de gas debe realizarlo el Servicio de Asistencia o un técnico cualificado y homologado;
- si no se incluye el inyector con el electrodoméstico, solicítelos al Servicio de Asistencia;
- ajuste el suministro al mínimo.

NOTA: Si se utiliza gas de petróleo líquido (G30/G31), el tornillo para ajustar el suministro al mínimo debe apretarse al máximo.

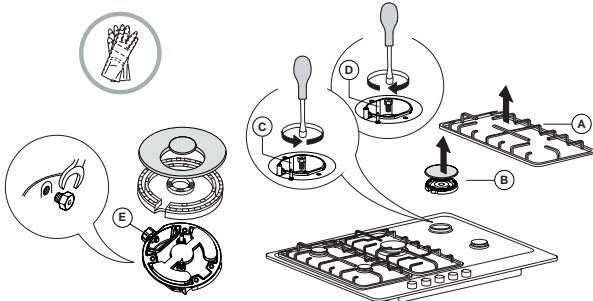
IMPORTANTE: Si tiene dificultades para girar los mandos de los quemadores, póngase en contacto con el Servicio de Asistencia Técnica para que sustituyan las tapas del quemador.

IMPORTANTE: cuando se utiliza una bombona de gas, la bombona o el recipiente de gas debe estar correctamente colocado (orientación vertical).

SUSTITUCIÓN DE LOS INYECTORES (consulte la tabla de inyectores en las Instrucciones de seguridad)

⚠ Esta operación debe realizarla un técnico cualificado.

- Retire las parrillas (A).
- Extraiga los quemadores (B).
- Con una llave de cubo del tamaño adecuado, desenrosque el inyector (C) que va a sustituir.
- Sustitúyalo por el inyector correspondiente al nuevo tipo de gas.
- Vuelva a montar el inyector en (D).
- Si la placa tiene un quemador de corona múltiple, utilice una llave lateral para cambiar el inyector (E).



Antes de instalar la placa, recuerde fijar la placa de calibración del gas suministrada con los inyectores, de modo que incluya la información existente relativa a la calibración del gas.

LIMPIEZA Y MANTENIMIENTO

⚠ Desconecte el aparato de la red eléctrica.

LIMPIEZA DE LA SUPERFICIE DE LA PLACA

- Todas las partes esmaltadas y vitrificadas deben limpiarse con agua tibia y una solución de jabón neutro.
- Las superficies de acero inoxidable pueden mancharse debido a la cal del agua o al uso de detergentes abrasivos que se dejan en contacto durante mucho tiempo. Limpie los restos de alimentos (agua, salsas, café, etc.) antes de que se sequen.
- Limpie la placa con agua tibia y detergente neutro y séquela a fondo con un paño suave o una gamuza. Limpie los restos de alimentos quemados con productos específicos para superficies de acero inoxidable.

NOTA: Para las superficies de acero inoxidable utilice solo un paño suave o una esponja.

- No utilice productos abrasivos o corrosivos, limpiadores con cloro ni estropajos metálicos.
- No utilice aparatos de limpieza con vapor.
- No emplee productos inflamables.
- No deje sustancias ácidas o alcalinas, como vinagre, mostaza, sal, azúcar o zumo de limón sobre la placa.

RESOLUCIÓN DE PROBLEMAS

Si la placa no funciona bien, antes de llamar al Servicio de Asistencia Técnica, consulte la guía de solución de problemas para determinar el problema.

1. El quemador no se enciende o la llama no es uniforme

Compruebe que:

- se ha cortado el suministro de gas o eléctrico y en concreto, si el mando del gas está abierto;
- la bombona de gas está vacía;
- las aberturas de los quemadores están obstruidas;
- el extremo del dispositivo de encendido está sucio;
- las piezas de los quemadores están colocadas correctamente;
- hay corrientes de aire alrededor de la placa.

2. El quemador no permanece encendido

Compruebe que:

- al encender el quemador, el mando se ha mantenido presionado durante el tiempo suficiente para activar el sistema de protección;
- las aberturas del quemador no están obstruidas junto al termopar;
- el extremo del termopar no está sucio;
- si el ajuste de gas mínimo es correcto (consulte el apartado correspondiente).

AJUSTE DEL SUMINISTRO DE GAS AL MÍNIMO

⚠ Esta operación debe realizarla un técnico cualificado.

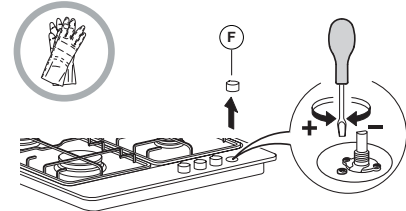
El ajuste debe realizarse con la posición de suministro de gas en el mínimo (llama pequeña).

No es necesario ajustar el aire principal de los quemadores.

Para asegurarse de que el suministro mínimo está ajustado correctamente, quite el mando (F) y realice lo siguiente:

- apriete el tornillo para reducir la altura de la llama (-);
- afloje el tornillo para aumentar la altura de la llama (+).

En este punto, encienda los quemadores y gire los mandos de la posición máxima a la posición mínima para comprobar la estabilidad de la llama.



Después de realizar el ajuste, vuelva a sellar la junta con cera o un material similar.

LIMPIEZA DE LAS PIEZAS DE LA PLACA

- Limpie las partes vitrificadas y esmaltadas con un paño suave o una esponja.
- Para limpiarlas, es necesario quitar las parrillas, las tapas y los quemadores.
- Limpie estos accesorios a mano con agua tibia y detergente no abrasivo, quite con cuidado los residuos de alimentos y compruebe que las aberturas de los quemadores no están obstruidas.
- Enjuague y seque con cuidado.
- **Las rejillas de hierro fundido pueden limpiarse en el lavavajillas. Retire los alimentos quemados antes de colocar las rejillas en la bandeja más baja del lavavajillas.**
- Vuelva a colocar los quemadores y las tapas en su sitio.
- Al colocar las parrillas, asegúrese de que el área de las parrillas donde se apoyan las ollas está alineada con el quemador.
- Los modelos equipados con dispositivo de encendido eléctrico y dispositivos de seguridad requieren una limpieza exhaustiva del extremo de la bujía para asegurarse un funcionamiento correcto. Compruebe estos elementos con frecuencia y si fuera necesario, límpielos con un paño húmedo. Los restos de alimentos quemados deben eliminarse con un palillo o una aguja.

NOTA: Para evitar daños al dispositivo de encendido eléctrico, no lo utilice si los quemadores están fuera de su alojamiento.

3. Los recipientes no son estables

Compruebe que:

- la parte inferior del recipiente es completamente plana;
- el recipiente está centrado en el quemador;
- se han colocado de forma incorrecta las parrillas.

Si el fallo persiste después de estas comprobaciones, póngase en contacto con el Servicio de Asistencia más cercano.

SERVICIO POSTVENTA

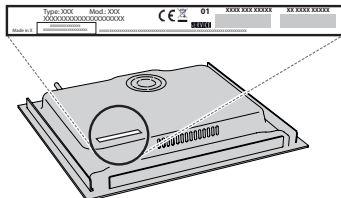
ANTES DE LLAMAR AL SERVICIO POSTVENTA:

1. Intente resolver el problema consultando las recomendaciones que se ofrecen en la **GUÍA PARA LA SOLUCIÓN DE PROBLEMAS**.
2. Apague el aparato y vuelva a encenderlo para comprobar si se ha solucionado el problema.

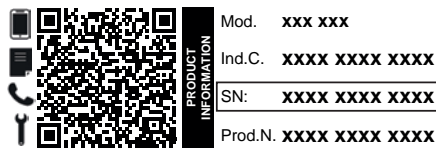
SI EL FALLO PERSISTE DESPUÉS DE ESTAS COMPROBACIONES, PÓNGASE EN CONTACTO CON EL SERVICIO POSTVENTA.

Cuando se ponga en contacto con nuestro Servicio Postventa, especifique siempre:

- una breve descripción del problema;
- el tipo y el modelo exacto del aparato;



- el número de serie (el número que se indica tras la palabra SN en la placa de características situada debajo del aparato). El número de serie también se indica en la documentación;

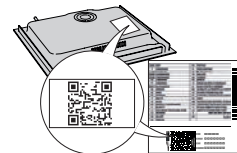


- su dirección completa;
- su número de teléfono.

Si fuera necesaria alguna reparación, póngase en contacto con un Servicio Postventa autorizado (que garantiza el uso de piezas de recambio originales y una reparación correcta).

Puede consultar los reglamentos, la documentación estándar e información adicional sobre productos mediante alguna de las siguientes formas:

- Utilizando el código QR en tu aplicación;
- Visitando nuestro sitio web docs.whirlpool.eu/docs;
- También puede **ponerse en contacto con nuestro Servicio postventa** (Consulte el número de teléfono en el folleto de la garantía). Cuando se ponga en contacto con nuestro Servicio Postventa, deberá indicar los códigos que figuran en la placa de características de su producto.



®/TM/ © 2024 Whirlpool. Fabricado con licencia.

⚠ Αυτές οι οδηγίες ισχύουν εάν εμφανίζεται στη συσκευή το σύμβολο της χώρας. Εάν το σύμβολο δεν εμφανίζεται στη συσκευή, πρέπει να ανατρέξετε στις τεχνικές οδηγίες που θα σας παρέχουν τις απαραίτητες οδηγίες για την τροποποίηση της συσκευής στην κατάσταση που απαιτείται για χρήση στη χώρα σας.

⚠ ΠΡΟΣΟΧΗ: Η χρήση της συσκευής μαγειρέματος με αέριο έχει ως αποτέλεσμα την παραγωγή θερμότητας, υγρασίας και προϊόντων καύσης στο χώρο όπου είναι εγκατεστημένη. Βεβαιωθείτε ότι η κουζίνα αερίζεται καλά ειδικά όταν η συσκευή βρίσκεται σε λειτουργία: διατηρείτε τις οπές εξαερισμού ανοιχτές ή εγκαταστήστε μια μηχανική συσκευή εξαερισμού (μηχανικός απορροφητήρας). Η παρατεταμένη εντατική χρήση της συσκευής μπορεί να απαιτεί περισσότερο εξαερισμό, όπως π.χ. το άνοιγμα του παραθύρου, ή πιο αποτελεσματικό εξαερισμό, αυξάνοντας το επίπεδο μηχανικού αερισμού (όταν υπάρχει).

⚠ Η μη ακριβής τήρηση των πληροφοριών σε αυτό το εγχειρίδιο μπορεί να προκαλέσει πυρκαγιά ή έκρηξη, με αποτέλεσμα υλικές ζημιές ή τραυματισμό. Πριν χρησιμοποιήσετε τη συσκευή, διαβάστε αυτές τις οδηγίες για την ασφάλεια. Φυλάξτε τις οδηγίες σε κοντινό σημείο για μελλοντική αναφορά.

Αυτές οι οδηγίες και η συσκευή περιλαμβάνουν σημαντικές προειδοποιήσεις σχετικά με την ασφάλεια, τις οποίες πρέπει να τηρείτε σε κάθε περίπτωση. Ο κατασκευαστής δεν φέρει καμία ευθύνη για τη μη τήρηση αυτών των οδηγιών ασφαλείας, για ακατάλληλη χρήση της συσκευής ή λανθασμένη ρύθμιση των χειριστηρίων.

⚠ ΠΡΟΕΙΔΟΠΟΙΗΣΗ: Αν η επιφάνεια της εστίας είναι ραγισμένη, μην χρησιμοποιείτε τη συσκευή – κίνδυνος ηλεκτροπληξίας.

⚠ ΠΡΟΕΙΔΟΠΟΙΗΣΗ: Κίνδυνος πυρκαγιάς: μην αποθηκεύετε στοιχεία στις επιφάνειες μαγειρέματος.

⚠ ΠΡΟΣΟΧΗ: Η διαδικασία μαγειρέματος πρέπει να παρακολουθείται. Μια σύντομη διαδικασία μαγειρέματος πρέπει να παρακολουθείται συνεχώς.

⚠ ΠΡΟΕΙΔΟΠΟΙΗΣΗ: Είναι επικίνδυνο να μαγειρεύετε με λίπη ή λάδι σε εστία χωρίς επιτήρηση - κίνδυνος πυρκαγιάς. Μην προσπαθείτε ΠΟΤΕ να σβήσετε μια φωτιά με νερό, αλλά σβήστε τη συσκευή και μετά καλύψτε τη φλόγα, π.χ. με ένα καπάκι ή μια πυρίμαχη κουβέρτα.

⚠ Μην χρησιμοποιείτε τη μονάδα εστιών ως επιφάνεια εργασίας. Διατηρείται τα ρούχα ή άλλα εύφλεκτα υλικά μακριά από τη συσκευή, έως ότου όλα τα εξαρτήματα να έχουν κρυώσει εντελώς - κίνδυνος πυρκαγιάς.

⚠ Τα πολύ μικρά παιδιά (0-3 ετών) πρέπει να διατηρούνται μακριά από τη συσκευή. Κρατήστε τα μικρά παιδιά (3-8 ετών) μακριά από τη συσκευή εκτός εάν επιτηρούνται διαρκώς. Η συσκευή μπορεί να χρησιμοποιηθεί από παιδιά ηλικίας 8 ετών και άνω ή άτομα με μειωμένες σωματικές, αισθητηριακές ή διανοητικές ικανότητες ή με έλλειψη εμπειρίας και γνώσης της συσκευής, μόνο εφόσον βρίσκονται υπό επιτήρηση ή έχουν λάβει οδηγίες σχετικά με την ασφαλή χρήση της συσκευής και κατανοούν τους

κινδύνους που συνεπάγεται. Τα παιδιά απαγορεύεται να παίζουν με τη συσκευή. Ο καθαρισμός και η συντήρηση από τον χρήστη δεν πρέπει να εκτελούνται από παιδιά χωρίς επιτήρηση.

⚠ ΠΡΟΣΟΧΗ: Σε περίπτωση θραύσης της γυάλινης πλάκας: απενεργοποιήστε αμέσως όλες τις εστίες και οποιαδήποτε ηλεκτρική αντίσταση και απομονώστε τη συσκευή από την παροχή ρεύματος, μην αγγίζετε την επιφάνεια της συσκευής, μην χρησιμοποιείτε τη συσκευή. Το γυάλινο καπάκι μπορεί να σπάσει αν ζεσταθεί. Σβήστε όλες τις εστίες και την ηλεκτρική πλάκα πριν κλείσετε το καπάκι. Μην κλείνετε το καπάκι όταν η εστία είναι αναμμένη.

⚠ ΠΡΟΕΙΔΟΠΟΙΗΣΗ: Η συσκευή και τα προσβάσιμα εξαρτήματά της μπορεί να ζεσταθούν κατά τη διάρκεια της χρήσης. Πρέπει να είστε προσεκτικοί, ώστε να αποφεύγετε τυχόν επαφή με τα θερμαντικά στοιχεία. Τα παιδιά κάτω των 8 ετών δεν πρέπει να πλησιάζουν τη συσκευή, εκτός εάν επιτηρούνται διαρκώς.

⚠ Το φαγητό δεν πρέπει να μείνει μέσα ή πάνω στο προϊόν για περισσότερο από μία ώρα πριν ή μετά το μαγείρεμα.

ΕΠΙΤΡΕΠΟΜΕΝΗ ΧΡΗΣΗ

⚠ ΠΡΟΣΟΧΗ: Η συσκευή δεν προορίζεται για χρήση σε συνδυασμό με εξωτερικό χρονοδιακόπτη ή ξεχωριστό σύστημα απομακρυσμένου ελέγχου.

⚠ Η συσκευή αυτή έχει σχεδιαστεί για οικιακή χρήση καθώς και για παρόμοιες χρήσεις όπως: χώροι κουζίνας προσωπικού σε καταστήματα, γραφεία και σε άλλους χώρους εργασίας, αγροκτήματα, από πελάτες σε ξενοδοχεία, μοτέλ, bed & breakfast και άλλους χώρους κατοικίας.

⚠ Δεν επιτρέπεται οποιαδήποτε άλλη χρήση (π.χ. θέρμανση δωματίων).

⚠ Αυτή η συσκευή δεν προορίζεται για επαγγελματική χρήση. Μην χρησιμοποιείτε τη συσκευή σε εξωτερικό χώρο.

⚠ Χρησιμοποιείτε κατασάρολες και τηγάνια με πλάτος βάσης ίσο ή ελαφρώς μεγαλύτερο (ανατρέξτε στον ειδικό πίνακα). Βεβαιωθείτε ότι οι κατασάρολες στις σχάρες δεν προεξέχουν από το άκρο της μονάδας εστιών.

⚠ Η ακατάλληλη χρήση των σχαρών μπορεί να προκαλέσει ζημιά στη μονάδα εστιών: μην τοποθετείτε τις σχάρες ανάποδα και μην τις σέρνετε επάνω στη μονάδα εστιών.

Η φλόγα του καυστήρα δεν πρέπει να εκτείνεται μετά το άκρο του σκεύους. Εάν η επιφάνεια της εστίας είναι από γυάλινο υλικό, μην χρησιμοποιείτε παιδιά από χυτοσίδηρο (μαντέμι), φυσική πέτρα, πήλινα σκεύη και τηγάνια.

Μην χρησιμοποιείτε: Αντικείμενα που προκαλούν διάχυση της θερμότητας όπως μεταλλικά πλέγματα ή άλλου τύπου. Δύο καυστήρες ταυτόχρονα για ένα σκεύος (π.χ. κατασάρολα για ψάρι).

Εάν η ανάφλεξη του καυστήρα είναι δύσκολη λόγω ειδικών τοπικών συνθηκών στην παροχή αερίου, συνιστάται να στρίψετε το κουμπί στη ρύθμιση μικρής φλόγας και να επαναλάβετε τη διαδικασία.

Σε περίπτωση εγκατάστασης απορροφητήρα επάνω από τη μονάδα εστιών, ανατρέξτε στις οδηγίες του απορροφητήρα για τη σωστή απόσταση.

τα προστατευτικά ελαστικά πόδια στις σχάρες μπορεί να προκαλέσουν τον πνιγμό μικρών παιδιών. Αφού αφαιρέσετε τις σχάρες, βεβαιωθείτε ότι όλα τα ποδαράκια είναι σωστά τοποθετημένα.

ΕΓΚΑΤΑΣΤΑΣΗ

⚠ Ο χειρισμός και η εγκατάσταση της συσκευής πρέπει να γίνονται από δύο ή περισσότερα άτομα - κίνδυνος τραυματισμού. Χρησιμοποιείτε γάντια προστασίας για να αφαιρέσετε τη συσκευασία και να κάνετε την εγκατάσταση - κίνδυνος κοψίματος.

⚠ Οι συνδέσεις ηλεκτρικού ρεύματος και αερίου πρέπει να συμμορφώνονται με τον τοπικό κανονισμό.

⚠ Η εγκατάσταση, συμπεριλαμβανομένης της παροχής νερού (εάν υπάρχει), τις ηλεκτρικές συνδέσεις και τις επισκευές, πρέπει να πραγματοποιούνται από τεχνικά εξειδικευμένο προσωπικό. Μην επισκευάζετε και μην αντικαθιστάτε κανένα εξάρτημα της συσκευής, εκτός εάν αναφέρεται ρητά στο εγχειρίδιο χρήσης. Κρατήστε τα παιδιά μακριά από το χώρο εγκατάστασης. Μετά από την αποσυσκευασία της συσκευής, βεβαιωθείτε ότι δεν έχει προκληθεί ζημιά σε αυτήν κατά τη μεταφορά. Σε περίπτωση προβλημάτων, επικοινωνήστε με τον αντιπρόσωπο ή με το τμήμα τεχνικής υποστήριξης πελατών. Μετά την εγκατάσταση, τα υλικά συσκευασίας (πλαστικά, φελιζόλ, κ.λπ.) πρέπει να φυλάσσονται μακριά από τα παιδιά - κίνδυνος ασφυξίας. Η συσκευή πρέπει να αποσυνδέεται από την ηλεκτρική τροφοδοσία πριν από κάθε εργασία εγκατάστασης - κίνδυνος ηλεκτροπληξίας. Κατά την εγκατάσταση, βεβαιωθείτε ότι δεν έχει προκληθεί ζημιά στο καλώδιο τροφοδοσίας από τη συσκευή - κίνδυνος πυρκαγιάς ή ηλεκτροπληξίας. Ενεργοποιήστε τη συσκευή μόνο εφόσον ολοκληρωθεί η εγκατάσταση.

⚠ ΠΡΟΕΙΔΟΠΟΙΗΣΗ: Η τροποποίηση της συσκευής και του τρόπου εγκατάστασης της είναι απαραίτητα προκειμένου η συσκευή να χρησιμοποιείται σωστά και με ασφάλεια σε όλες τις επιπλέον χώρες.

⚠ Χρησιμοποιήστε ρυθμιστές πίεσης κατάλληλους για την πίεση αερίου που αναφέρεται στις οδηγίες.

⚠ Ο χώρος πρέπει να διαθέτει σύστημα εξαγωγής αέρα που θα αποβάλλει τους καπνούς καύσης.

⚠ Ο χώρος πρέπει επίσης να επιτρέπει την κατάλληλη κυκλοφορία του αέρα, καθώς ο αέρας είναι απαραίτητος για την κανονική καύση. Η ροή του αέρα δεν πρέπει να είναι λιγότερη από 2 m³/h για kW εγκατεστημένης ισχύος.

⚠ Το σύστημα κυκλοφορίας αέρα μπορεί να λαμβάνει αέρα απευθείας από το εξωτερικό μέσω σωλήνα με εσωτερική διατομή τουλάχιστον 100 cm², το άνοιγμα δεν πρέπει να υπόκειται σε κανενός είδους έμφραξη.

⚠ Το σύστημα μπορεί επίσης να παρέχει τον αέρα που απαιτείται για καύση έμμεσα, δηλ. από γειτονικούς χώρους εξοπλισμένους με σωλήνες κυκλοφορίας αέρα όπως περιγράφεται παραπάνω. Ωστόσο, αυτοί οι χώροι δεν πρέπει να είναι κοινόχρηστα δωμάτια, υπνοδωμάτια ή δωμάτια που ενδέχεται να παρουσιάζουν κίνδυνο πυρκαγιάς.

⚠ Το LPG βυθίζεται στο πάτωμα καθώς είναι βαρύτερο από τον αέρα. Συνεπώς, τα δωμάτια που περιέχουν φιάλες LPG πρέπει να είναι εφοδιασμένα με εξαεριστήρες για να επιτρέπουν τη διαφυγή αερίου σε περίπτωση διαρροής. Ως εκ τούτου, οι φιάλες LPG, είτε

εντελώς γεμάτες ή εν μέρει γεμάτες, δεν πρέπει να εγκαθίστανται ή να αποθηκεύονται σε χώρους ή αποθηκευτικούς χώρους που βρίσκονται κάτω από το έδαφος (κελάρια κλπ.). Συνιστάται να διατηρείτε μόνο τη φιάλη που χρησιμοποιείτε στο χώρο, τοποθετημένη έτσι ώστε να μην υπόκειται σε θερμότητα που παράγεται από εξωτερικές πηγές (φούρνοι, τζάκια, θερμάστρες κ.λπ.) που θα μπορούσαν να αυξήσουν τη θερμοκρασία της φιάλης πάνω από τους 50 °C.

Εάν έχετε δυσκολία στην περιστροφή των διακοπών των καυστήρων, παρακαλούμε επικοινωνήστε με το σέρβις για την αντικατάσταση της στρόφιγγας του καυστήρα εάν βρεθεί ότι είναι ελαττωματική.

Τα ανοίγματα που χρησιμοποιούνται για εξαερισμό και για διάχυση της θερμότητας δεν πρέπει ποτέ να καλύπτονται.

⚠ Εκτελέστε όλες τις εργασίες κοπής του επίπλου πριν να τοποθετήσετε τη συσκευή στο περίβλημα και αφαιρέστε προσεκτικά όλα τα ροκανίδια και τα πριονίδια.

⚠ Αν η συσκευή δεν εγκατασταθεί πάνω σε ένα φούρνο, πρέπει να τοποθετηθεί ένα διαχωριστικό πάνελ (δεν περιλαμβάνεται) στο χώρο κάτω από τη συσκευή.

ΣΥΝΔΕΣΗ ΑΕΡΙΟΥ

⚠ ΠΡΟΕΙΔΟΠΟΙΗΣΗ: Πριν από την εγκατάσταση, βεβαιωθείτε ότι οι τοπικές συνθήκες διανομής (τύπος αερίου και πίεση αερίου) και η ρύθμιση της συσκευής είναι συμβατά.

⚠ Βεβαιωθείτε ότι η πίεση παροχής αερίου είναι σύμφωνη με τις τιμές που υποδεικνύονται στον Πίνακα ("Χαρακτηριστικά καυστήρα και ακροφυσίου").

⚠ ΠΡΟΕΙΔΟΠΟΙΗΣΗ: Οι συνθήκες ρύθμισης αυτής της συσκευής αναγράφονται στην ετικέτα (ή στην πινακίδα στοιχείων).

⚠ ΠΡΟΕΙΔΟΠΟΙΗΣΗ: Η συσκευή αυτή δεν είναι συνδεδεμένη σε σύστημα εξαγωγής προϊόντων καύσης. Πρέπει να εγκατασταθεί και να συνδεθεί σύμφωνα με τους ισχύοντες κανονισμούς εγκατάστασης. Ιδιαίτερη προσοχή θα πρέπει να δοθεί στις απαιτήσεις σχετικά με τον αερισμό.

⚠ Αν η συσκευή συνδέεται με υγραέριο, πρέπει να σφίξετε τη βίδα ρύθμισης όσο το δυνατόν πιο σφιχτά.

⚠ ΣΗΜΑΝΤΙΚΟ: Εάν χρησιμοποιείται φιάλη αερίου, η δοχείο αερίου πρέπει να στηρίζεται σωστά (κάθετος προσανατολισμός).

⚠ ΠΡΟΕΙΔΟΠΟΙΗΣΗ: Αυτή η λειτουργία πρέπει να διεξαχθεί από εξειδικευμένο τεχνικό.

⚠ Χρησιμοποιήστε μόνο εύκαμπτο ή άκαμπτο μεταλλικό σωλήνα για τη σύνδεση αερίου.

⚠ Σύνδεση με άκαμπτο σωλήνα (από χαλκό ή χάλυβα) Η σύνδεση με το σύστημα αερίου πρέπει να γίνεται με τέτοιο τρόπο ώστε να μην υπάρχει κανενός είδους πίεση για τη συσκευή. Υπάρχει ένα ρυθμιζόμενο εξάρτημα σωλήνα σχήματος L στη γραμμή τροφοδοσίας της συσκευής και αυτό είναι εφοδιασμένο με μια τσιμούχα προκειμένου να αποφεύγονται οι διαρροές. Η τσιμούχα πρέπει πάντα να αντικαθίσταται μετά την περιστροφή του σωλήνα (η τσιμούχα παρέχεται με τη συσκευή). Το εξάρτημα του σωλήνα τροφοδοσίας αερίου είναι ένα κυλινδρικό αρσενικό εξάρτημα με σπείρωμα 1/2 αερίου.

⚠ Σύνδεση εύκαμπτου αγωγού από ανοξειδωτο χάλυβα σε σύνδεσμο με σπείρωμα. Το εξάρτημα του σωλήνα τροφοδοσίας αερίου είναι ένα κυλινδρικό αρσενικό εξάρτημα με 1/2 σπείρωμα αερίου. Οι σωλήνες αυτοί πρέπει να εγκατασταθούν έτσι ώστε να μην υπερβαίνουν ποτέ τα 2000 mm κατά την πλήρη επέκτασή τους. Μόλις ολοκληρωθεί η σύνδεση, βεβαιωθείτε ότι ο εύκαμπτος μεταλλικός σωλήνας δεν έρχεται σε επαφή με κινούμενα μέρη και δεν συμπιέζεται. Χρησιμοποιείτε μόνο σωλήνες και τσιμούχες που συμμορφώνονται με τους ισχύοντες εθνικούς κανονισμούς.

⚠ ΣΗΜΑΝΤΙΚΟ: Εάν χρησιμοποιηθεί σωλήνας από ανοξειδωτο χάλυβα, πρέπει να τοποθετηθεί με τρόπο που να μην αγγίζει οποιοδήποτε κινούμενο σημείο της επίπλωσης. Πρέπει να δρομολογηθεί μέσω περιοχής χωρίς εμπόδια ώστε να μπορεί να ελεγχθεί σε ολόκληρο το μήκος του.

⚠ Η συσκευή πρέπει να συνδέεται στην κύρια τροφοδοσία αερίου ή στην φιάλη αερίου σύμφωνα με τους ισχύοντες εθνικούς κανονισμούς. Πριν κάνετε τη σύνδεση, βεβαιωθείτε ότι η συσκευή είναι συμβατή με την παροχή αερίου που θέλετε να χρησιμοποιήσετε. Εάν δεν συμβαίνει αυτό, ακολουθήστε τις οδηγίες που αναφέρονται στην παράγραφο «Προσαρμογή σε διαφορετικούς τύπους αερίου».

⚠ Μετά τη σύνδεση στην παροχή αερίου, ελέγξτε για διαρροές χρησιμοποιώντας διάλυμα σαπουνιού σε νερό. Ανάψτε τους καυστήρες και περιστρέψτε τους διακόπτες από τη θέση μέγιστης ρύθμισης 1* στη θέση ελάχιστης ρύθμισης 2*, για να ελέγξετε τη σταθερότητα της φλόγας.

ΠΡΟΣΑΡΜΟΓΗ ΣΕ ΔΙΑΦΟΡΕΤΙΚΟΥΣ ΤΥΠΟΥΣ ΑΕΡΙΟΥ
(Η εργασία αυτή πρέπει να πραγματοποιείται από εξειδικευμένο τεχνικό).

⚠ Προκειμένου να προσαρμόσετε τη συσκευή σε έναν τύπο αερίου διαφορετικό από τον τύπο για τον οποίο κατασκευάστηκε (αναγράφεται στην ετικέτα διαβάθμισης), ακολουθήστε τα ειδικά βήματα που υποδεικνύονται με τα σχέδια τοποθέτησης.

ΗΛΕΚΤΡΙΚΕΣ ΠΡΟΕΙΔΟΠΟΙΗΣΕΙΣ

⚠ ΣΗΜΑΝΤΙΚΟ: Πληροφορίες σχετικά με την κατανάλωση ρεύματος και τάσης παρέχονται στην πινακίδα τεχνικών χαρακτηριστικών.

⚠ Πρέπει να είναι δυνατή η αποσύνδεση της συσκευής από την ηλεκτρική τροφοδοσία με αφαίρεση του φινιρίσματος εάν η πρίζα είναι προσβάσιμη ή με χρήση του πολυπολικού διακόπτη που έχει εγκατασταθεί πριν από την πρίζα σύμφωνα με τα εθνικά πρότυπα ηλεκτρικής ασφάλειας και η συσκευή πρέπει να διαθέτει γείωση με βάση τα εθνικά πρότυπα ασφαλείας.

⚠ Το καλώδιο τροφοδοσίας πρέπει να έχει επαρκές μήκος ώστε να είναι δυνατή η σύνδεση της εντοιχισμένης συσκευής στην πρίζα. Μην τραβάτε το καλώδιο τροφοδοσίας.

⚠ Μην χρησιμοποιείτε καλώδια προέκτασης (μπαλαντέζες), πολύπριζα ή προσαρμογείς. Μετά την

ολοκλήρωση της εγκατάστασης, δεν πρέπει να είναι δυνατή η πρόσβαση στα ηλεκτρικά εξαρτήματα. Μην χρησιμοποιείτε τη συσκευή όταν είστε βρεγμένοι ή με γυμνά πόδια. Μην χρησιμοποιήσετε τη συσκευή εάν έχει φθαρεί το ηλεκτρικό καλώδιο ή το φινιρίσμα, εάν δεν λειτουργεί κανονικά, εάν έχει πέσει ή εάν έχει υποστεί άλλη ζημιά.

⚠ Εάν το καλώδιο τροφοδοσίας έχει υποστεί ζημιά, πρέπει να αντικατασταθεί από τον κατασκευαστή, τον αντιπρόσωπο τεχνικής υποστήριξης ή άλλα καταρτισμένα άτομα, ώστε να αποφευχθούν τυχόν κίνδυνοι - κίνδυνος ηλεκτροπληξίας.


ΚΑΘΑΡΙΣΜΟΣ ΚΑΙ ΣΥΝΤΗΡΗΣΗ

⚠ ΠΡΟΕΙΔΟΠΟΙΗΣΗ: Πριν από οποιαδήποτε εργασία συντήρησης, βεβαιωθείτε ότι η συσκευή είναι σβηστή και αποσυνδεδεμένη από το δίκτυο τροφοδοσίας. Ποτέ μην χρησιμοποιείτε συσκευές καθαρισμού με ατμό - κίνδυνος ηλεκτροπληξίας.

⚠ Μην χρησιμοποιείτε αποξεστικά ή διαβρωτικά προϊόντα, καθαριστικά με βάση τη χλωρίνη ή συρμάτινα σφουγγαράκια.

⚠ Για να αποφύγετε τυχόν ζημιά στην ηλεκτρική ανάφλεξη, μην την χρησιμοποιείτε όταν οι καυστήρες δεν βρίσκονται στις υποδοχές τους.

ΑΠΟΡΡΙΨΗ ΥΛΙΚΩΝ ΣΥΣΚΕΥΑΣΙΑΣ


Τα υλικά της συσκευασίας είναι 100% ανακυκλώσιμα και φέρουν το σύμβολο της ανακύκλωσης .

Τα διάφορα μέρη της συσκευασίας πρέπει συνεπώς να απορρίπτονται με υπευθυνότητα και σε πλήρη συμμόρφωση με τους κανονισμούς της τοπικής δημοτικής αρχής όσον αφορά τη διάθεση αποβλήτων.

ΑΠΟΡΡΙΨΗ ΗΛΕΚΤΡΙΚΩΝ ΟΙΚΙΑΚΩΝ ΣΥΣΚΕΥΩΝ

Η συσκευή αυτή έχει κατασκευαστεί από ανακυκλώσιμα ή επαναχρησιμοποιήσιμα υλικά. Απορρίψτε σύμφωνα με τους κανονισμούς των τοπικών αρχών. Για περαιτέρω πληροφορίες σχετικά με την επεξεργασία, την ανάκτηση και την ανακύκλωση των ηλεκτρικών οικιακών συσκευών, επικοινωνήστε με τις αρμόδιες τοπικές αρχές, την υπηρεσία συλλογής οικιακών αποβλήτων ή το κατάστημα από όπου αγοράσατε αυτό το προϊόν. Αυτή η συσκευή επισημαίνεται σύμφωνα με την Ευρωπαϊκή Οδηγία 2012/19/ΕΕ, Απόβλητα Ηλεκτρικού και Ηλεκτρονικού Εξοπλισμού (ΑΗΗΕ) και με τους κανονισμούς 2013 για τα Απόβλητα Ηλεκτρικού και Ηλεκτρονικού Εξοπλισμού (όπως τροποποιήθηκε).

Εξασφαλίζοντας τη σωστή απόρριψη αυτού του προϊόντος, θα βοηθήσετε στην αποτροπή των πιθανών βλαβερών συνεπειών για το περιβάλλον και την ανθρώπινη υγεία.

Το σύμβολο  στο προϊόν ή στα συνοδευτικά έντυπα υποδεικνύει ότι πρέπει να αντιμετωπίζεται ως οικιακό απόρριμμα αλλά πρέπει να μεταφέρετε στο κατάλληλο κέντρο συλλογής για ανακύκλωση ηλεκτρονικού και ηλεκτρικού εξοπλισμού.

ΣΥΜΒΟΥΛΕΣ ΓΙΑ ΕΞΟΙΚΟΝΟΜΗΣΗ ΕΝΕΡΓΕΙΑΣ

Χρησιμοποιείτε καταρρόλες και τηγάνια με διάμετρο βάσης ίση με τη διάμετρο της εστίας.

Χρησιμοποιήστε μόνο καταρρόλες και τηγάνια με επίπεδη βάση.

Εάν είναι δυνατό, διατηρείτε τα σκεύη σκεπασμένα κατά το μαγείρεμα.

Η χρήση χύτρας ταχύτητας μειώνει ακόμη περισσότερο την κατανάλωση ενέργειας και το χρόνο μαγειρέματος.

ΔΗΛΩΣΗ ΣΥΜΜΟΡΦΩΣΗΣ

Η συσκευή αυτή πληροί τις απαιτήσεις οικολογικού σχεδιασμού του Ευρωπαϊκού κανονισμού 66/2014 και τον οικολογικό σχεδιασμό για σχετικά με Οι πληροφορίες σχετικά με τη λειτουργία χαμηλής κατανάλωσης ενέργειας της συσκευής σύμφωνα με τον κανονισμό (ΕΕ) 2023/826 βρίσκονται στον ακόλουθο σύνδεσμο: <https://docs.emeaappliance-docs.eu> την ενέργεια προϊόντα και ενεργειακές πληροφορίες (Τροποποίηση) (ΕΕ Exit) Κανονισμού 2019, σύμφωνα με το Ευρωπαϊκό πρότυπο EN 30-2-1.

Τύπος χρησιμοποιούμενου αερίου	Τύπος καυστήρα	Ένδειξη ακροφυσίου	Ονομαστική θερμική ροή kW	Ονομαστική κατανάλωση	Μειωμένη θερμική ικανότητα kW	Πίεση αερίου mbar		
						ελαχ.	ονομ.	μέγ.
ΦΥΣΙΚΟ ΑΕΡΙΟ (Μεθάνιο) G20	Ταχύς (R)	128 B	3,00	286 λίτρα/ώρα	0,70	17	20	25
	Ημι-ταχύς (SR)	97 A	1,65	157 λίτρα/ώρα	0,40			
	Βοηθητικός (AUX)	78 A	1,00	95 λίτρα/ώρα	0,40			
	2 δακτυλίων φλόγας (DC)	168 Z1	4,80	457 λίτρα/ώρα	2,20			
ΥΓΡΑΕΡΙΟ (Βουτάνιο) G30	Ταχύς (R)	85 A	3,00	218 γρ./ώρα	0,70	20	28-30	35
	Ημι-ταχύς (SR)	66 A	1,65	120 γρ./ώρα	0,40			
	Βοηθητικός (AUX)	50	1,00	73 γρ./ώρα	0,40			
	2 δακτυλίων φλόγας (DC)	107	4,50	327 γρ./ώρα	2,20			
ΥΓΡΑΕΡΙΟ (Προπάνιο) G31	Ταχύς (R)	85 A	3,00	214 γρ./ώρα	0,70	25	37	45
	Ημι-ταχύς (SR)	66 A	1,65	118 γρ./ώρα	0,40			
	Βοηθητικός (AUX)	50	1,00	71 γρ./ώρα	0,40			
	2 δακτυλίων φλόγας (DC)	107	4,50	321 γρ./ώρα	2,20			

Τύπος χρησιμοποιούμενου αερίου	Διαμόρφωση μοντέλου 5 ΚΑΥΣΤΗΡΕΣ	Ονομαστική θερμική ροή (kW)	Συνολική ονομαστική κατανάλωση	Αέρας που απαιτείται (m ³) για καύση 1m ³ αερίου
G20 20 mbar	1R - 2SR - 1AUX - 1DC	12,10	1152 λίτρα/ώρα	9,52
G30 28-30 mbar	1R - 2SR - 1AUX - 1DC	11,80	858 γρ./ώρα	30,94
G31 37 mbar	1R - 2SR - 1AUX - 1DC	11,80	843 γρ./ώρα	23,80

ΗΛΕΚΤΡΙΚΗ ΠΑΡΟΧΗ: 220-240 V ~ 50-60 Hz - 0,6W

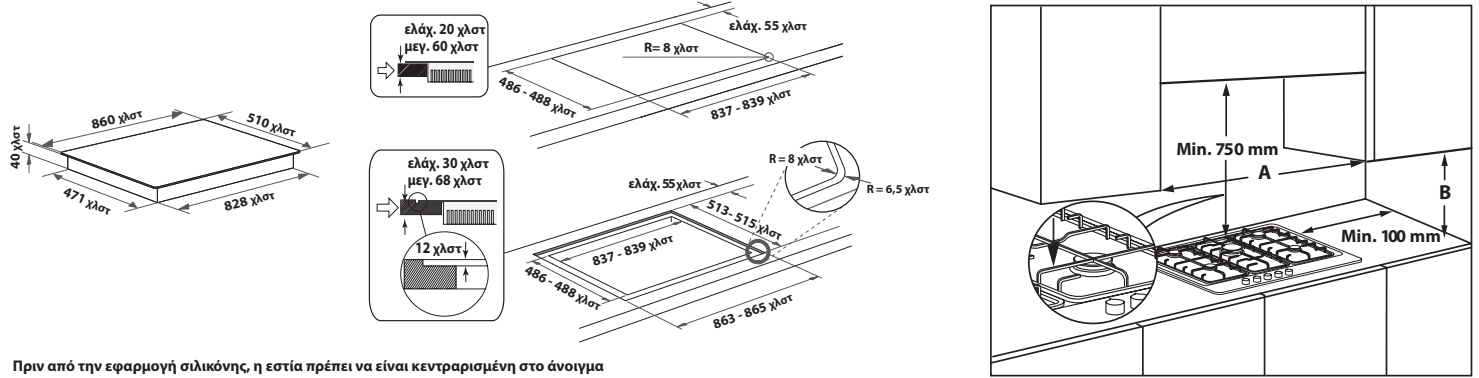


ΕΓΚΑΤΑΣΤΑΣΗ (ΚΑΤΗΓΟΡΙΑ 3)

ΤΕΧΝΙΚΕΣ ΠΛΗΡΟΦΟΡΙΕΣ ΓΙΑ ΤΟΝ ΤΕΧΝΙΚΟ ΕΓΚΑΤΑΣΤΑΣΗΣ

- Χρησιμοποιήστε προστατευτικά γάντια για το χειρισμό, την προετοιμασία και την εγκατάσταση του προϊόντος.
- Το προϊόν αυτό μπορεί να εντοιχιστεί σε πάγκο εργασίας πάχους 20 έως 60 χλστ, με την κανονική εγκατάσταση. Για χωνευτή εγκατάσταση 30 ÷ 68 χλστ.
- Εάν δεν υπάρχει φούρνος κάτω από τη μονάδα εστιών, τοποθετήστε μια διαχωριστική επιφάνεια τουλάχιστον ίση με το άνοιγμα στον πάγκο εργασίας. Η επιφάνεια αυτή πρέπει να τοποθετηθεί σε απόσταση το πολύ 150 χλστ. κάτω από την επάνω επιφάνεια του πάγκου εργασίας, αλλά σε καμία περίπτωση σε απόσταση μικρότερη από 20 χλστ. από το κάτω μέρος της μονάδας εστιών. Εάν πρόκειται να εγκαταστήσετε φούρνο κάτω από τη μονάδα εστιών, βεβαιωθείτε ότι ο φούρνος διαθέτει σύστημα ψύξης.

ΔΙΑΣΤΑΣΕΙΣ ΚΑΙ ΑΠΟΣΤΑΣΕΙΣ ΠΟΥ ΠΡΕΠΕΙ ΝΑ ΤΗΡΟΥΝΤΑΙ



Πριν από την εφαρμογή σιλικόνης, η εστία πρέπει να είναι κεντραρισμένη στο άνοιγμα

ΣΗΜΕΙΩΣΗ: Αν η απόσταση «Α» ανάμεσα στα τοιχώματα του ντουλαπιού είναι από 600 χλστ. έως 730 χλστ., το ύψος «Β» πρέπει να είναι τουλάχιστον 530 χλστ. Αν η απόσταση «Α» ανάμεσα στα τοιχώματα του ντουλαπιού είναι μεγαλύτερη από το πλάτος της μονάδας εστιών, το ύψος «Β» πρέπει να είναι τουλάχιστον 400 χλστ.

Σε περίπτωση εγκατάστασης απορροφητήρα επάνω από τη μονάδα εστιών, ανατρέξτε στις οδηγίες του απορροφητήρα για τη σωστή απόσταση.

ΣΥΝΑΡΜΟΛΟΓΗΣΗ

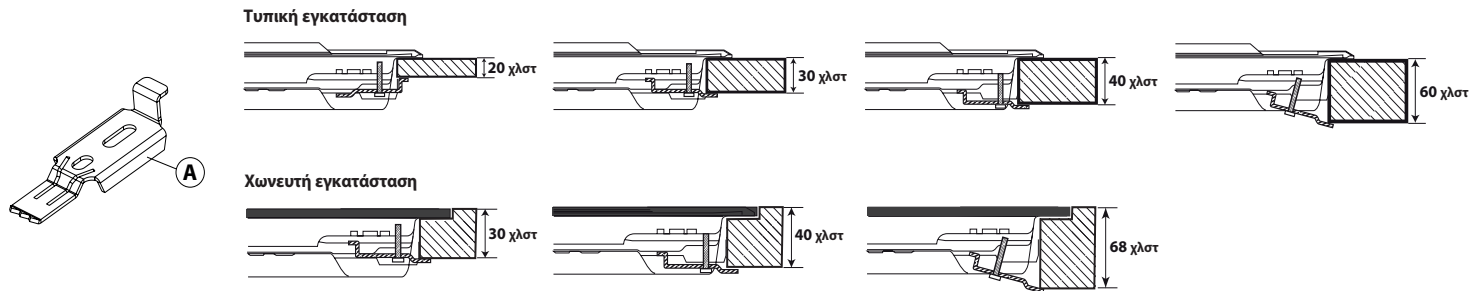
Αφού καθαρίσετε την περιμετρική επιφάνεια, τοποθετήστε την παρεχόμενη φλάντζα στην εστία όπως φαίνεται στην εικόνα.



Τοποθετήστε τη μονάδα εστιών στο άνοιγμα του πάγκου εργασίας που κατασκευάστηκε σύμφωνα με τις διαστάσεις που αναφέρονται στις οδηγίες.

ΣΗΜΕΙΩΣΗ: το καλώδιο τροφοδοσίας πρέπει να είναι αρκετά μακρύ ώστε να επιτρέπει την προς τα επάνω δρομολόγησή του.

Για τη στήριξη της μονάδας εστιών, χρησιμοποιήστε τα παρεχόμενα στηρίγματα (Α). Τοποθετήστε τα στηρίγματα στις αντίστοιχες οπές που απεικονίζονται με το βέλος και σφίξτε τα με τις βίδες τους ανάλογα με το πάχος του πάγκου εργασίας (ανατρέξτε στις παρακάτω εικόνες).

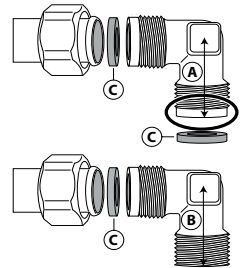


ΣΥΝΔΕΣΗ ΑΕΡΙΟΥ

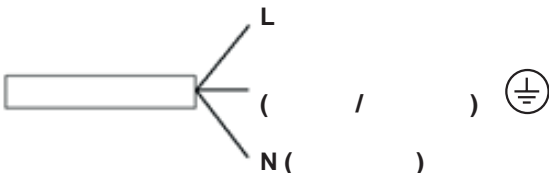
- Συνδέστε την παρεχόμενη γώνια (Α)* ή (Β)* στον κύριο σωλήνα εισόδου της μονάδας εστιών και παρεμβάλετε τη ροδέλα (C) σε συμμόρφωση με το πρότυπο EN 549.

* Χρησιμοποιήστε τη γώνια (Α) για τη Γαλλία και τη γώνια (Β) για όλες τις υπόλοιπες χώρες.

- Μετά τη σύνδεση στην παροχή αερίου, ελέγξτε για διαρροές χρησιμοποιώντας διάλυμα σαπουνιού σε νερό. Ανάψτε τους καυστήρες και στρίψτε τα κουμπιά από τη θέση μέγιστης ρύθμισης (⤴) στη θέση ελάχιστης ρύθμισης (⤵) για να ελέγξετε τη σταθερότητα της φλόγας.



ΣΥΝΔΕΣΗ ΑΕΡΙΟΥ ΧΩΝΕΥΤΗ ΕΓΚΑΤΑΣΤΑΣΗ





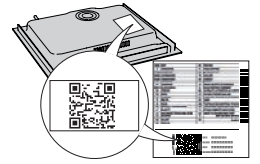
ΣΑΣ ΕΥΧΑΡΙΣΤΟΥΜΕ ΠΟΥ ΑΓΟΡΑΣΑΤΕ ΕΝΑ ΠΡΟΪΟΝ WHIRLPOOL

Για να λάβετε πλήρη τεχνική υποστήριξη, παρακαλούμε να καταχωρίσετε τη συσκευή σας στην ιστοσελίδα www.register10.eu.

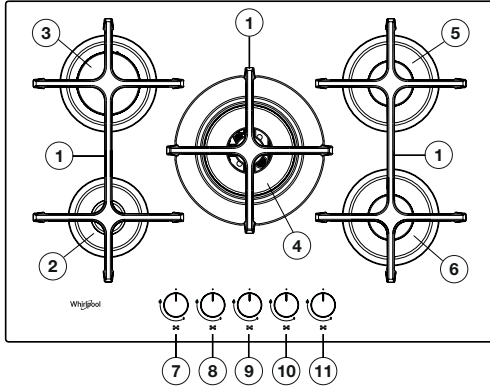


Διαβάστε τις οδηγίες για την ασφάλεια προσεκτικά πριν χρησιμοποιήσετε τη συσκευή.

ΣΑΡΩΣΤΕ ΤΟΝ ΚΩΔΙΚΟ QR ΣΤΗ ΣΥΣΚΕΥΗ ΣΑΣ ΓΙΑ ΠΕΡΙΣΣΟΤΕΡΕΣ ΠΛΗΡΟΦΟΡΙΕΣ



ΠΕΡΙΓΡΑΦΗ ΠΡΟΪΟΝΤΟΣ



1. Αφαιρούμενες σχάρες στήριξης σκευών
2. Βοηθητικός καυστήρας
3. Ταχύς καυστήρας
4. Καυστήρας 2 δακτυλίων φλόγας
5. Ημι-ταχύς καυστήρας
6. Ημι-ταχύς καυστήρας
7. Διακόπτης βοηθητικού καυστήρα
8. Κουμπί ελέγχου Ταχύς καυστήρα
9. Κουμπί καυστήρα 2 δακτυλίων φλόγας
10. Κουμπί ημι-ταχέως καυστήρα
11. Κουμπί ημι-ταχέως καυστήρα

Σύμβολα

- Κύκλος με σκίαση ● Κλειστή στρόφιγγα
- Μεγάλη φλόγα 🔥 Μέγιστο άνοιγμα/παροχή και ηλεκτρική ανάφλεξη
- Μικρή φλόγα 🔥 Ελάχιστο άνοιγμα ή μειωμένη παροχή



ΚΑΘΗΜΕΡΙΝΗ ΧΡΗΣΗ

ΤΡΟΠΟΣ ΧΡΗΣΗΣ ΤΗΣ ΜΟΝΑΔΑΣ ΕΣΤΙΩΝ

⚠ Η φλόγα του καυστήρα δεν πρέπει να εκτείνεται πέρα από την άκρη του σκεύους.

ΣΗΜΑΝΤΙΚΟ: όταν χρησιμοποιείται η μονάδα εστιών, ενδεχεται να ζεσταθεί ολοκληρη η περιοχή της μονάδας εστιών.

- Για να ανάψετε τους καυστήρες, στρίψτε το αντίστοιχο κουμπί προς τα αριστερά στη ρύθμιση μέγιστης φλόγας.
- Πατήστε το κουμπί στον πίνακα ελέγχου για να ανάψει ο καυστήρας.
- Αφού ανάψει ο καυστήρας, κρατήστε το κουμπί πατημένο για περίπου 5-10 δευτερόλεπτα ώστε να λειτουργήσει σωστά η διάταξη.
- Αυτή η διάταξη ασφαλείας του καυστήρα διακόπτει την παροχή αερίου προς τον καυστήρα εάν η φλόγα σβήσει κατά λάθος (λόγω ξαφνικού ρεύματος αέρα, διακοπής στην παροχή αερίου, υπερχειλίσου υγρού που βράζει κλπ.).
- **Μην πατάτε το κουμπί για περισσότερο από 15 δευτερόλεπτα. Εάν μετά το διάστημα αυτό ο καυστήρας δεν παραμένει αναμμένος, περιμένετε τουλάχιστον ένα λεπτό πριν επιχειρήσετε να τον ανάψετε ξανά.**

ΣΗΜΕΙΩΣΗ: Εάν η ανάφλεξη του καυστήρα είναι δύσκολη λόγω ειδικών τοπικών συνθηκών στην παροχή αερίου, συνιστάται να στρίψετε το κουμπί στη ρύθμιση μικρής φλόγας και να επαναλάβετε τη διαδικασία.

Ο καυστήρας μπορεί να σβήσει όταν αφήσετε το κουμπί. Αυτό σημαίνει ότι η διάταξη ασφαλείας δεν έχει ζεσταθεί αρκετά. Στην περίπτωση αυτή, επαναλάβετε τη διαδικασία που περιγράφεται παρακάτω. Στην περίπτωση τυχαίου σβήσιματος των φλογών του καυστήρα, κλείστε τον επιλογέα χειρισμού και ξαναπροσπαθήστε το άναμμα μετά από ουλάχιστον 1 λεπτό.

ΠΡΑΚΤΙΚΕΣ ΣΥΜΒΟΥΛΕΣ ΓΙΑ ΤΗ ΧΡΗΣΗ ΤΩΝ ΚΑΥΣΤΗΡΩΝ

Αυτή η μονάδα εστιών διαθέτει καυστήρες διαφορετικής διαμέτρου. Για τη βέλτιστη απόδοση των καυστήρων, τηρήστε τους παρακάτω κανόνες:

- Χρησιμοποιήστε κατσαρόλες και τηγάνια με πλάτος βάσης ίσο ή ελαφρώς μεγαλύτερο από τους καυστήρες (ανατρέξτε στον πίνακα στα δεξιά);
- Χρησιμοποιήστε μόνο κατσαρόλες και τηγάνια με επίπεδη βάση;
- Χρησιμοποιήστε τη σωστή ποσότητα νερού για το μαγείρεμα των φαγητών και διατηρείτε τις κατσαρόλες σκεπασμένες;
- Βεβαιωθείτε ότι οι κατσαρόλες στις σχάρες δεν προεξέχουν από την άκρη της μονάδας εστιών.
- Για σκεύη με κυρτή βάση (WOK), χρησιμοποιήστε την ειδική σχάρα στήριξης που παρέχεται, η οποία πρέπει να τοποθετείται μόνο στους καυστήρες πολλαπλών δακτυλίων φλόγας.
- Αποφύγετε τυχαία χτυπήματα με κατσαρόλες ή άλλα σκεύη κουζίνας.
- Μην αφήνετε τηγάνια γκριλ στο φούρνο αναμμένο για περισσότερο από 5 λεπτά.

ΣΗΜΑΝΤΙΚΟ: Η ακατάλληλη χρήση των σχαρών μπορεί να προκαλέσει ζημιά στη μονάδα εστιών: μην τοποθετείτε τις σχάρες ανάποδα και μην τις σέρνετε επάνω στη μονάδα εστιών.

ΚΑΥΣΤΗΡΑΣ	Ø ΚΑΤΣΑΡΟΛΑΣ
2 δακτυλίων φλόγας	Από 24 έως 26 εκ.
Ταχύς	Από 24 έως 26 εκ.
Ημι-ταχύς	Από 16 έως 22 εκ.
Βοηθητικός	Από 8 έως 14 εκ.

Μην χρησιμοποιείτε:

- Πλάκες ψησίματος από χυτοσίδηρο, σκεύη από φυσική πέτρα, κεραμικές κατσαρόλες και τηγάνια;
- Αντικείμενα που προκαλούν διάχυση της θερμότητας όπως μεταλλικά πλέγματα ή άλλου τύπου;
- Δύο καυστήρες ταυτόχρονα για ένα σκεύος (π.χ. κατσαρόλα για ψάρι).

Εάν χυθούν υγρά στη ζεστή περιοχή των εστιών μπορεί να προκληθεί ζημιά στο γυαλί.

ΠΡΟΣΑΡΜΟΓΗ ΣΕ ΔΙΑΦΟΡΕΤΙΚΟΥΣ ΤΥΠΟΥΣ ΑΕΡΙΟΥ

⚠ Η εργασία αυτή πρέπει να γίνει από εξειδικευμένο τεχνικό.

Εάν η συσκευή πρόκειται να χρησιμοποιηθεί με αέριο διαφορετικό από τον τύπο του αερίου που αναγράφεται στην πινακίδα τεχνικών στοιχείων και στην ετικέτα πληροφοριών στο επάνω μέρος της μονάδας εστιών, αντικαταστήστε τα μπεκ. Αφαιρέστε την ετικέτα πληροφοριών και φυλάξτε την μαζί με το εγχειρίδιο οδηγιών.

Χρησιμοποιήστε ρυθμιστές πίεσης κατάλληλους για την πίεση αερίου που αναφέρεται στις οδηγίες:

- Το ακροφύσιο αερίου πρέπει να αντικατασταθεί από συνεργάτη μας μέσω του κέντρου εξυπηρέτησης πελατών ή από εξειδικευμένο τεχνικό;
- Τα ακροφύσια που δεν παρέχεται με τη συσκευή πρέπει να τα παραγγείλετε από το κέντρο εξυπηρέτησης πελατών;
- Προσαρμόστε την ελάχιστη ρύθμιση για τις στρόφιγγες.

ΣΗΜΕΙΩΣΗ: Εάν χρησιμοποιείται υγραέριο (G30/G31), η βίδα ελάχιστης ρύθμισης αερίου πρέπει να σφικτεί μέχρι τέρμα.

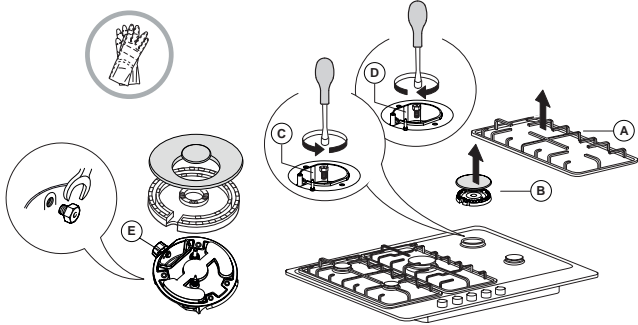
ΣΗΜΑΝΤΙΚΟ: Εάν δυσκολεύεστε κατά το στρίψιμο των κουμπιών των καυστήρων, επικοινωνήστε με το κέντρο εξυπηρέτησης πελατών για την αντικατάσταση της στρόφιγγας του καυστήρα εάν διαπιστωθεί ότι είναι ελαττωματική.

ΣΗΜΑΝΤΙΚΟ: Εάν χρησιμοποιείται φιάλη αερίου, η φιάλη πρέπει να στηρίζεται σωστά (κάθετος προσανατολισμός).

ΑΝΤΙΚΑΤΑΣΤΑΣΗ ΤΩΝ ΜΠΕΚ (ανατρέξτε στον πίνακα των μπεκ στις Οδηγίες για την ασφάλεια)

⚠ Η εργασία αυτή πρέπει να γίνει από εξειδικευμένο τεχνικό.

- Αφαιρέστε τις σχάρες (A).
- Αφαιρέστε τους καυστήρες (B).
- Χρησιμοποιώντας σωληνωτό κλειδί κατάλληλου μεγέθους, ξεβιδώστε (C) το μπεκ που χρειάζεται αντικατάσταση.
- Αντικαταστήστε το με μπεκ κατάλληλο για τον νέο τύπο αερίου.
- Συναρμολογήστε το μπεκ στο (D).
- Εάν διαθέτετε καυστήρα πολλαπλών δακτυλίων, χρησιμοποιήστε πολύγωνο για να αντικαταστήσετε το μπεκ (E).



Πριν εγκαταστήσετε τη μονάδα εστιών, στερεώστε την πινακίδα βαθμονόμησης αερίου που παρέχεται με τα μπεκ με τρόπο που να καλύπτει τις υπάρχουσες πληροφορίες για τη βαθμονόμηση του αερίου.

ΚΑΘΑΡΙΣΜΟΣ ΚΑΙ ΣΥΝΤΗΡΗΣΗ

⚠ Αποσυνδέστε τη συσκευή από το ηλεκτρικό δίκτυο.

ΚΑΘΑΡΙΣΜΟΣ ΤΗΣ ΕΠΙΦΑΝΕΙΑΣ ΤΗΣ ΜΟΝΑΔΑΣ ΕΣΤΙΩΝ

- Όλα τα εμαγιέ και γυάλινα εξαρτήματα πρέπει να καθαρίζονται με διάλυμα ζεστού νερού και ουδέτερου απορρυπαντικού.
- Το σκληρό νερό και τα διαβρωτικά απορρυπαντικά μπορεί να προκαλέσουν κηλίδες στις επιφάνειες από ανοξείδωτο χάλυβα σε περίπτωση παρατεταμένης επαφής. Καθαρίζετε αμέσως τα υγρά που χύνονται (νερό, σάλτσα, καφές κ.λπ.) πριν στεγνώσουν.
- Καθαρίστε την επιφάνεια με διάλυμα ζεστού νερού και ουδέτερου απορρυπαντικού και σκουπίστε την με μαλακό πανί ή δέρμα. Απομακρύνετε τα υπολείμματα που έχουν ξεραθεί με ειδικό καθαριστικό για επιφάνειες από ανοξείδωτο χάλυβα.

ΣΗΜΕΙΩΣΗ: Καθαρίζετε τις επιφάνειες από ανοξείδωτο χάλυβα μόνο με μαλακό πανί ή σφουγγάρι.

- Μην χρησιμοποιείτε αποξεστικά ή διαβρωτικά προϊόντα, καθαριστικά με βάση τη χλωρίνη ή συρμάτινα σφουγγαράκια.
- Μην χρησιμοποιείτε συσκευές καθαρισμού με ατμό.
- Μην χρησιμοποιείτε εύφλεκτα προϊόντα.
- Μην αφήνετε στη μονάδα εστιών όξινες ή αλκαλικές ουσίες όπως ξίδι, μουστάρδα, αλάτι, ζάχαρη ή χυμό λεμονιού.

ΠΡΟΣΑΡΜΟΓΗ ΕΛΑΧΙΣΤΗΣ ΡΥΘΜΙΣΗΣ ΠΑΡΟΧΗΣ ΑΕΡΙΟΥ ΣΤΙΣ ΣΤΡΟΦΙΓΓΕΣ

⚠ Η εργασία αυτή πρέπει να γίνει από εξειδικευμένο τεχνικό.

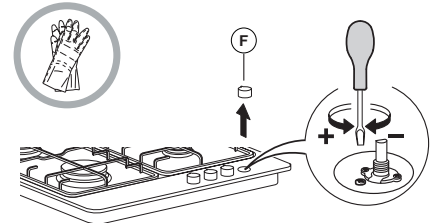
Η προσαρμογή πρέπει να γίνει με τη στρόφιγγα στη θέση ελάχιστης ρύθμισης παροχής (μικρή φλόγα).

Ο πρωτεύων αέρας των καυστήρων δεν χρειάζεται ρύθμιση.

Για να διασφαλιστεί η σωστή προσαρμογή της ελάχιστης ρύθμισης παροχής, αφαιρέστε το κουμπί (F) και ακολουθήστε την παρακάτω διαδικασία:

- σφίξτε τη βίδα για να μειώσετε το ύψος της φλόγας (-);
- λασκάρτε τη βίδα για να αυξήσετε το ύψος της φλόγας (+).

Στη συνέχεια, ανάψτε τους καυστήρες και στρίψτε τα κουμπιά από τη θέση μέγιστης ρύθμισης (στη θέση ελάχιστης ρύθμισης) για να ελέγξετε τη σταθερότητα της φλόγας.



Όταν ολοκληρωθεί η προσαρμογή, σφραγίστε ξανά το σημείο χρησιμοποιώντας βουλοκέρι ή άλλο αντίστοιχο υλικό.

ΚΑΘΑΡΙΣΜΟΣ ΤΩΝ ΕΞΑΡΤΗΜΑΤΩΝ ΤΗΣ ΜΟΝΑΔΑΣ ΕΣΤΙΩΝ

- Καθαρίζετε τα γυάλινα και εμαγιέ εξαρτήματα μόνο με μαλακό πανί ή σφουγγάρι.
- Μπορείτε να αφαιρέσετε τις σχάρες, τα καπάκια των καυστήρων και τους καυστήρες για να τους καθαρίσετε.
- Καθαρίστε τα εξαρτήματα με το χέρι χρησιμοποιώντας ζεστό νερό και μη διαβρωτικό απορρυπαντικό, απομακρύνετε τα υπολείμματα φαγητού και βεβαιωθείτε ότι κανένα από τα ανοίγματα του καυστήρα δεν είναι φραγμένο.
- Ξεπλύνετε και σκουπίστε τα εξαρτήματα.
- **Οι σχάρες από χυτοσίδηρο μπορούν να καθαριστούν στο πλυντήριο πιάτων. Αφαιρέστε τυχόν καμένα τρόφιμα πριν τοποθετήσετε τις σχάρες στο χαμηλότερο ράφι του πλυντηρίου πιάτων.**
- Τοποθετήστε ξανά τους καυστήρες και τα καπάκια των καυστήρων σωστά στις αντίστοιχες υποδοχές.
- Κατά την επανατοποθέτηση των σχαρών, βεβαιωθείτε ότι η περιοχή στήριξης του σκεύους είναι ευθυγραμμισμένη με τον καυστήρα.
- Στα μοντέλα με ηλεκτρικούς σπινθηριστές και διατάξεις προστασίας, απαιτείται σχολαστικός καθαρισμός του άκρου του σπινθηριστή ώστε να διασφαλιστεί η σωστή λειτουργία. Ελέγχετε τα εξαρτήματα αυτά τακτικά και, εάν απαιτείται, καθαρίστε τα με υγρό πανί. Τα υπολείμματα φαγητών που ξεράθηκαν κατά το μαγείρεμα πρέπει να αφαιρούνται με οδοντογλυφίδα ή βελόνα.

ΣΗΜΕΙΩΣΗ: Για να αποφύγετε τυχόν ζημιά στην ηλεκτρική ανάφλεξη, μην την χρησιμοποιείτε όταν οι καυστήρες δεν βρίσκονται στις υποδοχές τους.

ΑΝΤΙΜΕΤΩΠΙΣΗ ΠΡΟΒΛΗΜΑΤΩΝ

Εάν η μονάδα εστίων δεν λειτουργεί σωστά, πριν επικοινωνήσετε με το κέντρο εξυπηρέτησης πελατών ανατρέξτε στον οδηγό αντιμετώπισης προβλημάτων για να καθορίσετε το πρόβλημα.

1. Ο καυστήρας δεν ανάβει ή η φλόγα δεν είναι ομοιόμορφη

Βεβαιωθείτε ότι:

- Η παροχή αερίου και ηλεκτρικού ρεύματος δεν είναι κλειστές και ιδίως ότι η στρόφιγγα παροχής αερίου είναι ανοικτή;
- Η φιάλη αερίου (υγραέριο) δεν έχει αδειάσει;
- Τα ανοίγματα του καυστήρα δεν είναι φραγμένα;
- Δεν υπάρχουν ακαθαρσίες στο άκρο του σπινθηριστή;
- Όλα τα εξαρτήματα του καυστήρα έχουν τοποθετηθεί σωστά;
- Δεν υπάρχουν ρεύματα αέρα κοντά στη μονάδα εστίων.

2. Ο καυστήρας δεν παραμένει αναμμένος

Βεβαιωθείτε ότι:

- Όταν ανάβετε τον καυστήρα, πατάτε το κουμπί όσο χρόνο χρειάζεται για την ενεργοποίηση της διάταξης προστασίας;
- Τα ανοίγματα του καυστήρα δεν είναι φραγμένα κοντά στο θερμοστοιχείο;
- Δεν υπάρχουν ακαθαρσίες στο άκρο της διάταξης προστασίας;
- Η ελάχιστη ρύθμιση παροχής αερίου είναι σωστή (ανατρέξτε στη σχετική παράγραφο).

3. Τα σκεύη δεν είναι σταθερά

Βεβαιωθείτε ότι:

- Η βάση του σκεύους είναι απόλυτα επίπεδη;
- Το σκεύος είναι κεντραρισμένο επάνω στον καυστήρα;
- Οι σχάρες δεν έχουν τοποθετηθεί ανάποδα ή λανθασμένα.

Εάν μετά από αυτούς τους ελέγχους το πρόβλημα παραμένει, απευθυνθείτε στο πλησιέστερο κέντρο εξυπηρέτησης πελατών.

ΗΧΟΙ ΠΟΥ ΠΑΡΑΓΟΝΤΑΙ ΚΑΤΑ ΤΗ ΛΕΙΤΟΥΡΓΙΑ

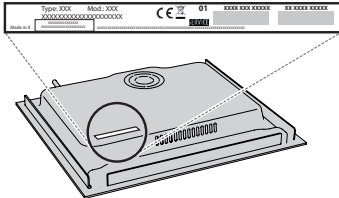
ΠΡΙΝ ΚΑΛΕΣΕΤΕ ΤΟ ΣΕΡΒΙΣ:

1. Επιχειρήστε να επιλύσετε μόνοι σας το πρόβλημα με τη βοήθεια των συστάσεων που παρέχονται στον **ΟΔΗΓΟ ΑΝΤΙΜΕΤΩΠΙΣΗΣ ΒΛΑΒΩΝ**.
2. Σβήστε και ανάψτε ξανά τη συσκευή για να διαπιστώσετε εάν η βλάβη παραμένει.

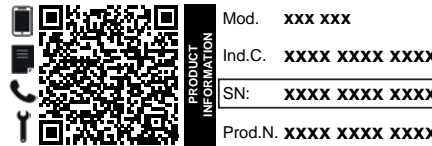
ΕΑΝ Η ΒΛΑΒΗ ΕΞΑΚΟΛΟΥΘΕΙ ΝΑ ΕΜΦΑΝΙΖΕΤΑΙ ΜΕΤΑ ΤΟΥΣ ΠΑΡΑΠΑΝΩ ΕΛΕΓΧΟΥΣ, ΕΠΙΚΟΙΝΩΝΗΣΤΕ ΜΕ ΤΟ ΠΛΗΣΙΕΣΤΕΡΟ ΣΕΡΒΙΣ.

Όταν επικοινωνείτε με την Εξυπηρέτηση πελατών, αναφέρετε πάντα:

- Μια σύντομη περιγραφή της βλάβης;
- Τον τύπο και το ακριβές μοντέλο της συσκευής;



- τον σειριακό αριθμό (αριθμός μετά τη λέξη SN στην πινακίδα που βρίσκεται κάτω από τη συσκευή). Ο σειριακός αριθμός αναφέρεται επίσης στην τεκμηρίωση;

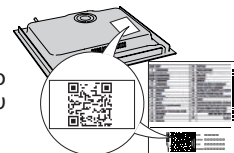


- την πλήρη διεύθυνσή σας;
- τον αριθμό τηλεφώνου σας.

Εάν απαιτείται επισκευή, απευθυνθείτε σε ένα εξουσιοδοτημένο Κέντρο Εξυπηρέτησης Πελατών (για να διασφαλιστεί η χρήση γνήσιων ανταλλακτικών και η σωστή επισκευή).

Μπορείτε να βρείτε πολιτικές, τυπική τεκμηρίωση και πρόσθετες πληροφορίες προϊόντος:

- Χρήση του κωδικού QR στη συσκευή σας;
- Επισκεφθείτε την ιστοσελίδα μας docs.whirlpool.eu/docs;
- Εναλλακτικά, μπορείτε να επικοινωνήσετε με την Υπηρεσία εξυπηρέτησης πελατών (βλ. τηλεφωνικό αριθμό στο βιβλιαράκι εγγύησης). Όταν επικοινωνείτε με το Κέντρο εξυπηρέτησης πελατών, αναφέρετε τους κωδικούς που αναγράφονται στην ετικέτα αναγνώρισης προϊόντος.



®/TM/ © 2024 Whirlpool. Παράγεται κατόπιν αδείας.

من المهم قراءتها والالتزام بها

الاستخدام المسموح به

⚠️ تنبيه: الجهاز غير مخصص للاستخدام عن طريق جهاز تشغيل خارجي، مثل الميقاتي أو نظام تشغيل عن بعد مستقل.

⚠️ هذا الجهاز مخصص للاستخدام في الأغراض المنزلية وما شابهها مثل: منطقة المطبخ في المحلات والمكاتب وبيئات العمل الأخرى، البيوت الريفية، ومن قبل نزلاء الفنادق والموتيلات والفنادق الصغيرة والبيئات الأخرى ذات الطابع السكني.

⚠️ ولا يُسمح باستخدامه في أي أغراض أخرى (مثلاً تدفئة الغرف).

⚠️ هذا الجهاز غير مخصص للاستخدام التجاري. لا تستخدم الجهاز في الهواء الطلق.

⚠️ استخدم الأواني والقدر التي لها نفس عرض الشعلات أو التي تزيد قليلاً عنه (انظر الجدول المعني). تأكد أن الأوعية المستندة على دعائم لا تبرز خارج حافة الموقد.

⚠️ الاستخدام غير الصحيح للشبكات يمكن أن يؤدي إلى إلحاق ضرر بالموقد: لا تضع الشبكات بشكل مقلوب أو تحركها على الموقد.

⚠️ لا تترك لهب الشعلة يتجاوز حافة الوعاء. لا تستخدم: الشوايات المصنوعة من الحديد المسبوك والأواني الخزفية والأوعية والأواني المصنوعة من التراكوتا. ناشرات السخونة، مثل الشبكات المعنية، أو أية أنواع أخرى. شعلتين في نفس الوقت لوعاء واحد (على سبيل المثال غلاية الأسماك).

⚠️ إذا كانت هناك ظروف محلية خاصة تعيق اشتعال الغاز المسحوب بسهولة، فيُنصح بإعادة التشغيل باستخدام المفتاح مع إدارته إلى إعداد اللهب الصغير.

⚠️ في حالة تركيب شفاط فوق سطح الطهي، فيرجى الرجوع إلى تعليمات الموقد لمعرفة المسافة الصحيحة.

⚠️ تمثل القدم المطاطية الواقية المثبتة على الشبكات خطر اختناق الأطفال الصغار. بعد خلع الشبكات، يرجى التأكد من تركيب القدم بالكامل بشكل صحيح.

التركيب

⚠️ يجب نقل الجهاز وتركيبه بواسطة شخصين على الأقل - خطر الإصابة. استخدم قفازات واقية لإخراج الجهاز من العبوة ولتركيبه - خطر الإصابة بجروح قطعية.

⚠️ يجب أن تكون وصلات الكهرباء والغاز متوائمة مع التشريعات المحلية.

⚠️ يجب إجراء عمليات التركيب بما فيها الإمداد بالماء (إذا كان موجوداً) والتوصيلات الكهربائية والإصلاح بواسطة فني مؤهل. لا تقم بإصلاح أو استبدال أي جزء من أجزاء الجهاز ما لم ينص على ذلك بصفة خاصة في دليل الاستخدام. أبعد الأطفال عن موقع التركيب. بعد إخراج الجهاز من عبوته، تحقق من عدم تضرره أثناء النقل. في حالة وجود مشاكل، اتصل بالوكيل أو أقرب مركز لخدمة ما بعد البيع. بعد الانتهاء من أعمال التركيب، يجب تخزين مخلفات التغليف (البلاستيك وقطع الستايروفوم إلخ) بعيداً عن متناول الأطفال - خطر الاختناق.

⚠️ يجب فصل الجهاز عن مصدر الكهرباء قبل التركيب - خطر التعرض لصدمة كهربائية. أثناء التركيب، تحقق من عدم تلف كابل الكهرباء الخاص بالجهاز - خطر الحريق أو صاعقة كهربائية. لا تقم بتشغيل الجهاز إلا بعد اكتمال إجراءات التركيب.

⚠️ تحذير: تعديل الجهاز وطريقة تركيبه من الأمور الهامة لاستخدام الجهاز بصورة آمنة وصحيحة في جميع البلدان الأخرى.

⚠️ استخدم منظّات ضغط مناسبة لضغط الغاز الموضح في التعليمات

⚠️ يجب أن تكون الغرفة مجهزة بنظام شفط الهواء الذي يساهم في تصريف أدخنة الاحتراق.

⚠️ ويجب أن تتيح الغرفة حرية تدوير الهواء على النحو السليم، إذ يلزم وجود الهواء لحدوث الاحتراق بشكل صحيح. يجب ألا يقل تدفق الهواء عن 2 متر³/ساعة لكل كيلو واط من القدرة المقررة.

⚠️ يمكن لنظام تدوير الهواء أن يسحب الهواء من الخارج مباشرة عن طريق أنبوب بمقطع عرضي خارجي لا يقل عن 100 سم²، يجب ألا تكون الفتحة عرضة لأي نوع من الانسدادات.

⚠️ ويمكن للنظام أيضاً توفير الهواء اللازم للاحتراق بشكل غير مباشر، أي من خلال الغرف المجاورة المجهزة بأنابيب تدوير الهواء كما هو موضح أعلاه. إلا أنه يجب ألا تكون هذه الغرف هي المخصصة للمعيشة أو النوم أو التي يوجد بها خطر نشوب حريق.

⚠️ تسري هذه التعليمات في حالة ظهور رمز البلد على الجهاز. إذا لم يظهر الرمز على الجهاز، يتعين عليك الرجوع إلى التعليمات الفنية التي توفر الإرشادات الضرورية المتعلقة بإجراء التعديلات على الجهاز ليتواءم مع ظروف الاستخدام في البلد.

⚠️ تنبيه: ينتج عن استخدام جهاز الطهي الغازي توليد حرارة ورطوبة ونواتج احتراق في الغرفة المثبت بها. تأكد من توفر تهوية جيدة بالمطبخ، وخاصة عند استخدام الجهاز: اترك فتحات التهوية الطبيعية مفتوحة أو قم بتركيب جهاز تهوية ميكانيكي (شفاط أبخرة ميكانيكي). الاستخدام المكثف لفترات طويلة للجهاز قد يتطلب تهوية إضافية، مثل فتح النافذة، أو مزيد من التهوية الأكثر فعالية، على سبيل المثال زيادة مستوى التهوية الميكانيكية (إذا أمكن ذلك).

⚠️ عدم اتباع المعلومات الموضحة بهذا الدليل بدقة قد ينتج عنه نشوب حريق أو انفجار، مما يتسبب في تلف الممتلكات أو إصابة الأفراد.

⚠️ اقرأ تعليمات السلامة هذه قبل استخدام الجهاز. واحتفظ بها في مكان قريب للرجوع إليها مستقبلاً.

⚠️ تقدم هذه التعليمات والجهاز نفسه تحذيرات هامة خاصة بالسلامة يجب مراعاتها في جميع الأوقات. لا تتحمل الجهة الصانعة أي مسؤولية ناجمة عن عدم مراعاة تعليمات السلامة هذه، أو استخدام الجهاز بطريقة غير سليمة، أو ضبط عناصر التحكم بطريقة غير صحيحة.

⚠️ تحذير: في حالة تشقق سطح الموقد، لا تستخدم الجهاز - خطر الصعق الكهربائي.

⚠️ تحذير: خطر نشوب حريق: لا تقوم بتخزين أشياء على أسطح الطهي.

⚠️ تنبيه: يجب مراقبة عملية الطهي. يجب أيضاً مراقبة عمليات الطهي القصيرة بصفة مستمرة.

⚠️ تحذير: طهي أطعمة تحتوي على دهون أو زيوت على الموقد دون مراقبة يمكن أن يكون خطيراً - خطر نشوب حريق. لا تحاول أبداً إطفاء اللهب في هذه الحالة باستخدام الماء، بل أطفئ الجهاز ثم قم بتغطية اللهب بغطاء أو ببطانية إطفاء حريق.

⚠️ لا تستخدم الموقد كسطح عمل أو كسطح ارتكاز. احتفظ بالملايس والمواد الأخرى القابلة للاشتعال بعيداً عن الجهاز إلى أن تبرد جميع الأجزاء تماماً - خطر نشوب حريق.

⚠️ يجب إبقاء الأطفال الصغار (0-3 سنوات) بعيداً عن الجهاز. يجب إبقاء الأطفال (3-8 سنوات) بعيداً عن الجهاز إلا في حالة الإشراف المستمر عليهم. يمكن استخدام هذا الجهاز من قبل الأطفال بدءاً من عمر 8 سنوات فأكثر والأشخاص الذين يعانون من نقص في القدرات البدنية أو الحسية أو العقلية أو الأشخاص الذين يفتقرون إلى الخبرة والمعرفة، شريطة أن يتم مراقبتهم أو توجيههم إلى كيفية استخدام الجهاز بطريقة آمنة واستيعابهم للأخطار التي ينطوي عليها ذلك. يجب ألا يعيّن الأطفال بهذا الجهاز. يحظر على الأطفال تنظيف الجهاز وصيانته دون إشراف.

⚠️ تنبيه: في حالة تحطم قرص زجاجي ساخن: قم بإطفاء كافة الشعلات على الفور وكذلك أي عنصر تسخين كهربائي، بالإضافة إلى فصل الجهاز عن مصدر الإمداد بالطاقة، لا تقم بلمس سطح الجهاز، لا تستخدم الجهاز.

⚠️ قد يتلف الغطاء الزجاجي في حالة تسخينه. قبل غلق الغطاء قم بإطفاء كافة الشعلات والألواح الكهربائية. لا تغلق الغطاء بينما الشعلات مشغلة.

⚠️ تحذير: يسخن الجهاز وأجزاؤه التي يمكن الوصول إليها أثناء الاستخدام. يجب توخي الانتباه لتجنب ملامسة عناصر التسخين. يجب إبعاد الأطفال دون سن 8 سنوات إلا إذا كانت هناك ملاحظة وإشراف دائم عليهم.

⚠️ يجب ألا يتم ترك الطعام داخل المنتج أو عليه لمدة تزيد على ساعة واحدة قبل أو بعد الطهي.

ضغط الغاز مللي بار			قدرة سخونة منخفضة كيلوواط	الاستهلاك المقدر	المعدل الاسمي للتدفق الحراري كيلوواط	علامة الحاقن	نوع الشعلة	نوع الغاز المستخدم
الحد الأدنى.	اسمي.	الحد الأقصى.						
25	20	17	0,70 0,40 0,40 2,20	286 لتر/ساعة 157 لتر/ساعة 95 لتر/ساعة 457 لتر/ساعة	128 B 97 A 78 A 168 Z1	3,00 1,65 1,00 4,80	السريعة (R) متوسطة السرعة (SR) إضافية (AUX) تأقلاحدا ي نانت (DC)	الغاز الطبيعي (الميثان) G20
35	28-30	20	0,70 0,40 0,40 2,20	218 جم/ساعة 120 جم/ساعة 73 جم/ساعة 327 جم/ساعة	85 A 66 A 50 107	3,00 1,65 1,00 4,50	السريعة (R) متوسطة السرعة (SR) إضافية (AUX) تأقلاحدا ي نانت (DC)	غاز البترول المسال (البيوتان) G30
45	37	25	0,70 0,40 0,40 2,20	214 جم/ساعة 118 جم/ساعة 71 جم/ساعة 321 جم/ساعة	85 A 66 A 50 107	3,00 1,65 1,00 4,50	السريعة (R) متوسطة السرعة (SR) إضافية (AUX) تأقلاحدا ي نانت (DC)	غاز البترول المسال (البيوتان) G31

نوع الغاز المستخدم	تهينة الموديل 5 شعالت	المعدل الاسمي معدل التدفق (كيلوواط)	المعدل الإجمالي المقدر	الهواء المطلوب (م) لحرق 3م من الغاز
G20 20 مبار	1R - 2SR - 1AUX - 1DC	12,10	1152 لتر/ساعة	9,52
G30 28/30 مبار	1R - 2SR - 1AUX - 1DC	11,80	858 جم/ساعة	30,94
G31 37 مبار	1R - 2SR - 1AUX - 1DC	11,80	843 جم/ساعة	23,80

مداد الكهرباء: 240-220 فلت ~ 60-50 هرتز - 6,0 واط



الملائمة لأنواع المختلفة للغاز

(ينبغي إجراء هذه العملية بواسطة فني مؤهل).

⚠️ لغرض تهيئة الجهاز مع نوع غاز آخر يختلف عن النوع المقرر من قبل الجهة الصانعة (موضح على لوحة الصنع)، قم بمراعاة الخطوات الواردة بعد الرسومات الموضحة للتركيب.

التحذيرات الكهربائية

⚠️ هام: معلومات بشأن استهلاك التيار والجهد الكهربائي مذكورة بلوحة التصنيف.

⚠️ يجب أن يكون كابل الكهرباء طويلاً بما يكفي لتوصيل الجهاز بمصدر الكهرباء عند تركيبه في موضعه. لا تسحب كابل الإمداد بالكهرباء.

⚠️ يجب إتاحة فصل الجهاز من مصدر الكهرباء بنزع القابس إن أمكن الوصول إليه، أو باستخدام مفتاح متعدد الأقطاب ومركب عند المقبس بالتوافق مع قواعد التوصيل، ويجب أن يكون الجهاز مؤمّناً، بالتوافق مع مواصفات الأمان الكهربائية المحلية.

⚠️ لا تستخدم أسلاك التمديد، أو المقابس متعددة التوصيلات أو المهايئات. يجب ألا تكون الأجزاء الكهربائية في متناول المستخدم بعد التركيب. لا تستخدم الجهاز وأنت ملبل أو حاف القدمين. لا تقم بتشغيل هذا الجهاز إذا كان هناك تلف في كابل أو قابس الكهرباء، أو إذا لم يكن يعمل بشكل سليم، أو إذا كان تالفاً، أو إذا سقط على الأرض.

⚠️ إذا لحق أي تلف بسلك التوصيل يجب استبداله عن طريق جهة الصنع أو وكيل الصيانة التابع لها أو أي شخص مؤهل بنفس الدرجة وذلك لتجنب المخاطر - خطر التعرض لأصدمه كهربائية.

التنظيف والصيانة

⚠️ تحذير: تأكد من إيقاف الجهاز ومن فصله عن مصدر الكهرباء قبل إجراء أية أعمال صيانة، لا تستخدم أبداً أجهزة التنظيف بالبخار - خطر الصعق الكهربائي.

⚠️ لا تستخدم منتجات أكالة أو كاشطة أو منظفات كلورية أو مسحوق تنظيف الأواني.

⚠️ لتجنب تعرض جهاز الإشعال الكهربائي للتلف، لا تستخدمه إذا كانت الشعلات ليست في مكانها.

التخلص من مواد التغليف

مواد التغليف قابلة لإعادة التدوير بنسبة 100% ومميزة برمز إعادة التدوير ♻️. لذا، يجب التخلص من أجزاء التغليف المختلفة بطريقة مسؤولة وبالتوافق التام مع تشريعات السلطات المحلية بخصوص التخلص من النفايات.

تكوين الأجهزة المنزلية

تم تصنيع هذا الجهاز باستخدام مواد قابلة لإعادة التدوير أو إعادة الاستخدام. تخلص منه وفقاً للوائح المحلية الخاصة بالتخلص من المخلفات. لمزيد من المعلومات حول المعالجة والاسترداد وإعادة التدوير للأجهزة الكهربائية المنزلية، اتصل بالجهة المحلية المختصة أو خدمة جمع النفايات المنزلية أو المتجر الذي اشترت منه الجهاز. هذا الجهاز مميز حسب المواصفة الأوروبية 2012/19/EU، والأجهزة الكهربائية والإلكترونية القديمة (WEEE) ومع تشريعات الأجهزة الكهربائية والإلكترونية القديمة 2013 (وتعدلاتها).

من خلال التأكد من التخلص من هذا المنتج بالطريقة الصحيحة سوف تساعد في منع النتائج السلبية على البيئة وصحة الإنسان.

يشير الرمز ♻️ الموجود على المنتج أو على المستندات المرافقة للمنتج إلى أنه لا ينبغي التعامل مع هذا المنتج على أنه من المخلفات المنزلية، ولكن يجب تسليمه إلى مركز تجميع ملائم لإعادة تدوير الأجهزة الكهربائية والإلكترونية.

نصائح توفير الطاقة

استخدم الأواني والقدر التي لها قاعدة بعرض مساو لنطاق الطهي.

اقتصر على استخدام الأواني والقدر ذات القواعد المستوية.

اترك أغطية الأوعية باستمرار فوقها أثناء الطهي إذا أمكن.

استخدم طنجرة (حلة) الضغط لتوفير مزيد من الطاقة والوقت.

بيان المطابقة

هذا الجهاز يطابق متطلبات التصميم الاقتصادي للتشريع الأوروبي 66/2014 وتشريعات التصميم الاقتصادي للمنتجات المرتبطة بالطاقة والمعلومات (المعدلة) (UE Exit) 2019، بالتوافق مع المواصفة الأوروبية EN 30-2-1.

تجد المعلومات المتعلقة بوضع الطاقة المنخفضة للجهاز وفقاً للائحة (الاتحاد الأوروبي) 826/2023 في الرابط التالي: <http://docs.emeappliance-docs-eu>.

⚠️ يُراعى أن الغاز البترولي المسال يهبط إلى الأرض لأنه أكثر كثافة من الهواء. ولذلك يجب أن تشمل الغرف المزودة بأسطوانات غاز مسال على فتحات للسماح بتصريف الغاز عند وقوع تسريب. وبناءً عليه فإنه يحظر تثبيت أسطوانات الغاز المسال، سواء كانت مملوءة جزئياً أو كلياً، أو حفظها في الغرف أو مناطق التخزين الموجودة أسفل مستوى الأرض (كالسراديب مثلاً). ننصح بإبقاء أسطوانة الغاز المراد استخدامها فقط في الغرفة ووضعها بحيث لا تكون معرضة للسخونة الناتجة عن مصادر الحرارة الخارجية (الأفران والدفائيات والمواقف) التي قد ترفع درجة حرارة الأسطوانة إلى أعلى من 50°م.

إذا واجهتك صعوبة في تدوير مقابض الشعلات، فيرجى الاتصال بخدمة ما بعد البيع لتغيير محبس الشعلات إن كان به خلل. لا يجب أبداً تغطية الفتحات المستخدمة للتهوية وتصريف الحرارة.

⚠️ قم بتنفيذ جميع أعمال قطع الخزانة قبل تركيب الجهاز في المبيت وتخلص بعناية من جميع الرقاقت الخشبية ونشارة الخشب.

⚠️ إذا لم يتم تركيب الجهاز فوق فرن، فيجب تركيب لوح فاصل (غير مورد) في الجزء الموجود أسفل الجهاز.

وصلة الغاز

⚠️ تحذير: قبل التركيب، تأكد من أن شروط التوزيع المحلية (نوع الغاز وضغط الغاز) ومن أن تهيئة الجهاز متوافقة.

⚠️ تحقق من أن ضغط إمداد الغاز يتوافق مع القيم المشار إليها في الجدول "مواصفات الشعلة".

⚠️ تحذير: شروط التهيئة الخاصة بهذا الجهاز مذكورة على الملصق (أو لوحة البيانات).

⚠️ تحذير: هذا الجهاز غير متصل بتجهيزة لإزالة نواتج الاحتراق. ويجب تركيبه وتوصيله وفقاً للوائح التركيب المتبعة. يجب الانتباه جيداً للمتطلبات الخاصة بالتهوية.

⚠️ في حالة توصيل الجهاز بالغاز المسال، فيجب تثبيت برغي الضبط وإحكامه قدر الإمكان.

⚠️ مهم: عند تركيب أسطوانة الغاز أو حاوية الغاز، يجب تثبيتها بشكل صحيح (الاتجاه الرأسي).

⚠️ تحذير: يجب أن تتم هذه العملية بمعرفة فني معتمد.

⚠️ اقتصر على استخدام خرطوم معدني مرن أو صلد لوصلة الغاز.

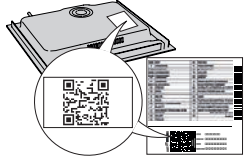
⚠️ التوصيل بنظام الغاز على النحو الذي يحمي الجهاز من التعرض لأي ضغط أو إجهاد. يوجد تجهيزة أنبوبية شكل L قابلة للضبط بمجرى إمداد الجهاز وهي مزودة بإطار إحكام لمنع التسريبات. ويجب تغيير إطار الإحكام دائماً بعد تدوير التجهيزة الأنبوبية (يتم توريد إطار الإحكام مع الجهاز). التجهيزة الأنبوبية لإمداد الغاز عبارة عن ملحق إدخال أسطواني ملولب 2/1 بوصة.

⚠️ توصيل أنبوب مرن خال من الوصلات ومصنوع من الاستانلس ستيل بالملحق الملولب. التجهيزة الأنبوبية لإمداد الغاز عبارة عن ملحق إدخال أسطواني ملولب 2/1 بوصة. يجب تركيب هذه الأنابيب بحيث لا يتعدى طولها 2000 مم وهي ممدودة بالكامل. بمجرد أن يتم التوصيل تأكد أن الأنبوب المعدني المرن لا يلامس الأجزاء المتحركة وغير معرض للضغط. اقتصر على استخدام الأنابيب وإطارات الإحكام التي تتوافق مع التشريعات المحلية المعمول بها.

⚠️ هام: في حالة استخدام خرطوم استانلس ستيل، فيجب تركيبه بحيث لا يلامس أي جزء متحرك من قطع الأثاث (مثل الأدرج). ويجب أن يمر عبر منطقة خالية من العوائق تتيح فحصه بكامل طوله.

⚠️ يلزم توصيل الجهاز بمصدر الغاز الرئيسي أو بأسطوانة غاز بالتوافق مع التشريعات المحلية المعمول بها. قبل القيام بالتوصيل يجب التأكد من توافق الجهاز مع مصدر الغاز المراد استخدامه. وإن لم يكن الوضع كذلك، اتبع التعليمات الواردة في فقرة "المواءمة مع نوع غاز آخر".

⚠️ بعد التوصيل بمصدر الغاز، تحقق من عدم وجود تسريبات باستخدام ماء صابوني. قم بإشعال الشعلات وأدر المفاتيح من الوضع الأقصى 1* إلى الوضع الأدنى 2* للتحقق من ثبات اللهب.



يُرجى مسح رمز الاستجابة السريعة على جهازك من أجل الحصول على مزيد من المعلومات

نشكرك على شرائك أحد منتجات شركة WHIRLPOOL للحصول على المزيد من المساعدة التفصيلية، يرجى تسجيل جهازك على www.register10.eu



واقرا تعليمات السلامة بعناية قبل استخدام الجهاز.

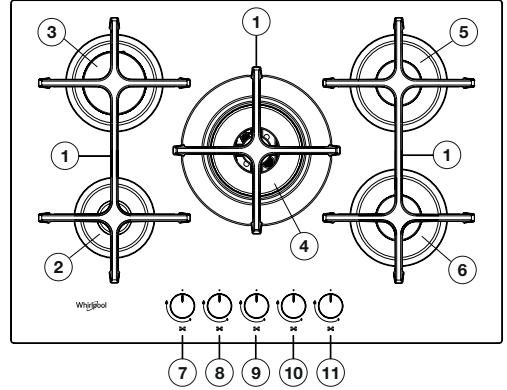


وصف المنتج

الرموز

- دائرة مظلمة ● نطاق علوي مغلق
- اللهب الكبير ● أقصى فتحة/إمداد والإشعال الكهربائي
- اللهب الصغير ● أدنى فتحة أو تقليل الإمداد

1. شبكات استناد الأوعية القابلة للفك
2. الشعلة الإضافية
3. الشعلة ذات السرعة
4. الشعلة ذات الحقتين
5. الشعلة متوسطة السرعة
6. الشعلة متوسطة السرعة
7. مفتاح التحكم في الشعلة الإضافية
8. مفتاح التحكم في الشعلة السريعة
9. مفتاح التحكم في الشعلة ذات الحقتين
10. مفتاح التحكم في الشعلة متوسطة السرعة
11. مفتاح التحكم في الشعلة متوسطة السرعة



الاستخدام اليومي

طريقة استخدام الموقد

قطر أواني الطهي	الشعلة
26-24 سم	تأقلحلاي نانث
26-24 سم	السريعة
22-16 سم	نصف سريع
8-14 سم	إضافي

لا تستخدم:

- الأواني المصنوعة من الحديد الزهر أو الأواني والقذور المصنوعة من الفخار.
- ناشترات الحرارة مثل الشبكة المعدنية أو أي أنواع أخرى.
- شعلتان في آن واحد لإناء واحد (مثل غلاية السمك).

قد تؤدي السوائل المنسكبة فوق منطقة سخنة على الموقد إلى تلف اللوح الزجاجي.

ضبط الموقد حسب الأنواع المختلفة للغاز

⚠ يجب ألا تتم هذه العملية إلا بواسطة فني مؤهل.

إذا كان الجهاز سيتم استخدامه مع نوع من الغاز مختلف عن الأنواع التي تظهر على لوحة المعايرة والبطاقة المملصة المثبتة على الموقد من أعلى، فقم بتغيير الحاقنات. انزع بطاقة المعلومات المملصة واحتفظ بها مع كتيب التعليمات.

استخدم منظمات الضغط المناسبة للحصول على ضغط الغاز المحدد في التعليمات.

- يجب تغيير حاقن الغاز بمعرفة مركز خدمة ما بعد البيع أو من قبل فني مؤهل؛
- يجب طلب شراء الحاقن غير المرفق مع الجهاز عن طريق مركز خدمة ما بعد البيع.
- اضبط الصنابير على الحد الأدنى.

ملاحظة: في حالة استخدام غاز البترول السائل (G31/G30)، يجب ربط مسمار ضبط الحد الأدنى للغاز حتى آخره.

ملاحظة هامة: إذا وجدت صعوبة في تشغيل مفاتيح الشعلات، فالرجاء الاتصال بخدمة ما بعد البيع لاستبدال صنبور الشعلة إذا كان به عطل.

ملاحظة هامة: عند استخدام أسطوانة الغاز، يجب أن يتم تثبيت أسطوانة الغاز أو حاوية الغاز بشكل صحيح (في الاتجاه الرأسي).

⚠ لا تسمح للهب الشعلات بأن يمتد خارج حافة الإناء.

ملاحظة هامة: قد تصبح منطقة الموقد كلها ساخنة عند وجود الموقد قيد الاستخدام.

- لإشعال إحدى الشعلات، قم بتدوير المفتاح المناسب عكس اتجاه عقارب الساعة إلى ضبط أقصى لهب.
- اضبط المفتاح تجاه لوحة التحكم لإشعال الشعلة.
- بعد اشتعال الشعلة، استمر في الضغط على المفتاح لمدة 5 - 10 ثوان حتى يعمل الجهاز بالطريقة الصحيحة.
- يقوم جهاز أمان الشعلة بإغلاق إمداد الغاز إلى الشعلة إذا انطفأ اللهب بشكل عارض (بسبب تيار هواء مفاجئ، توقف توصيل الغاز، غليان السوائل وفورانها... الخ).
- يجب عدم الضغط على المفتاح أكثر من 15 ثانية. إذا لم تظل الشعلة مشتعلة بعد انتهاء هذه المدة، فانتظر دقيقة على الأقل قبل أن تحاول مرة أخرى.

ملاحظة: إذا أدت ظروف موضعية معينة للغاز الذي يتم توصيله إلى جعل إشعال الشعلة أمراً صعباً، فإننا ننصح بتكرار العملية مع تشغيل الموقد عن طريق تدويره إلى إعداد اللهب المنخفض.

قد تنطفئ الشعلة عند تحرير الضغط على المفتاح. يعني ذلك أن جهاز السلامة لم يسخن بدرجة كافية. في هذه الحالة، كرر العمليات السابقة.

في حالة السنة اللهب التي تنطفئ في الشعلات دون قصد، أدر مفتاح التحكم في الشعلة إلى وضع الإيقاف والحاول إعادة إشعال الشعلة لمدة دقيقة على الأقل.

نصائح عملية لاستخدام الشعلات

- هذا الموقد به شعلات ذات أقطار مختلفة. من أجل الحصول على أداء أفضل للشعلة، يرجى مراعاة القواعد التالية
- استخدم الأواني والقذور التي يكون عرض قواعدها بنفس عرض الشعلات أو أكبر بقليل (انظر الجدول الموجود في الجانب الأيمن)؛
- استعمل فقط القذور والأواني ذات القاعدة المسطحة؛
- استخدم كمية مياه مناسبة لطهي الأطعمة واترك الغطاء فوق القدر؛
- تأكد أن القذور التي على الشبكات غير بارزة خارج حافة الموقد؛
- في حالة المقالي المزودة بقواعد محببة (WOK)، استخدم دعامة الشواية، غير المرفقة، والتي لا؛
- تجنب الخلط غير المتعمد للموقد باللواني أو الرفع أو أدوات المطبخ الأخرى؛
- تجنب ترك شوايات الستيك فارغة على الشعلة المشغلة لما يزيد عن 5 دقائق.

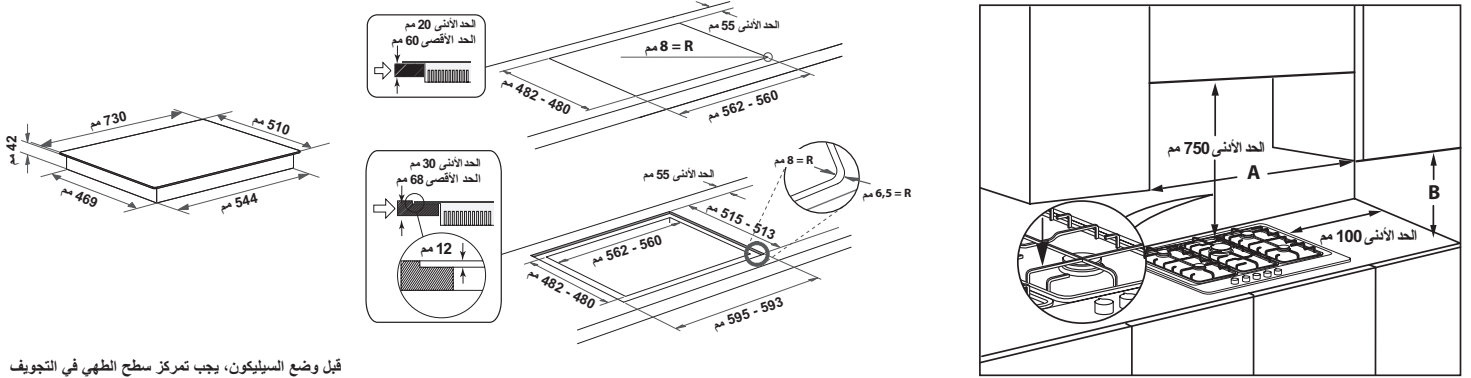
ملاحظة هامة: قد يؤدي الاستخدام غير الصحيح للشبكات إلى تلف الموقد؛ لا تضع الشبكات في وضع مقلوب أو تقم بامالتها على الموقد.

التوصيل الكهربائي (الفئة 3)

معلومات فنية لمن يقوم بتركيب الجهاز

- استخدم القفازات الواقية من أجل التعامل مع هذا المنتج وتجهيزه وتركيبه.
- مكن دمج هذا المنتج في سطح عمل بسُمك 20 ± 60 مم مع تركيب قياسي. للتركيب المستوي 30 ± 68 مم.
- في حالة عدم وجود فرن أسفل الموقد، أدخل لوحة فاصلة سطحها يساوي على الأقل الفتحة الموجودة في سطح العمل. يجب أن توضع هذه اللوحة على مسافة ال تزيد عن 150 مم أسفل السطح العلوي لسطح العمل، على ال تقل عن 20 مم من الجانب السفلي للموقد بأي حال من الأحوال. إذا كنت تنوي تركيب فرن أسفل الموقد، فتأكد من أنه مزود بنظام تبريد.

الأبعاد والمسافات التي يجب مراعاتها



قبل وضع السيليكون، يجب تمرکز سطح الطهي في التجويف

ملاحظة: إذا كانت المسافة هي «A» بين خزائن الحائط بين 600 مم و 730 ملم ، يجب أن يكون الارتفاع الحد الأدنى من 530 ملم. إذا كانت المسافة «A» بين خزائن الحائط أكبر من عرض الفرن ، يجب أن يكون الارتفاع «B» الحد الأدنى من 400 ملم. في حالة وجود غطاء فوق الفرن ، من فضلك الرجوع إلى تعليمات غطاء محرك السيارة إلى المسافة الصحيحة.

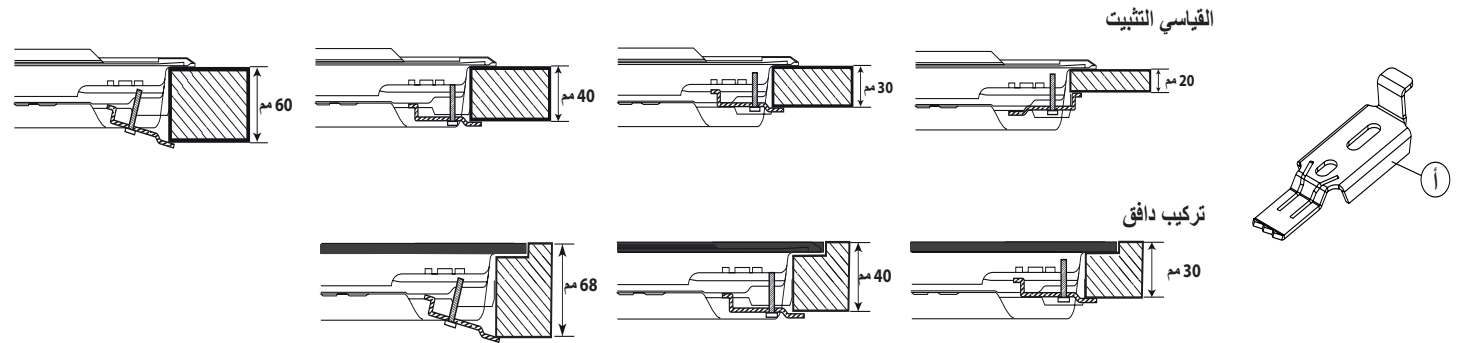
التركيب

بعد تنظيف السطح الخارجي لهذا المنتج، ضع مانع التسرب المرفق على الموقد كما هو مبين في الشكل.

ضع الموقد في فتحة سطح العمل المجهزة مع مراعاة الأبعاد المحددة في نشرة التعليمات.

ملاحظة: يجب أن يكون كبل توصيل التيار الكهربائي طويلا بحيث يسمح بتمريره لأعلى.

لتنصيب الموقد، استخدم أدوات التنبيت (أ) المرفقة معه. قم بتنبيت أدوات التنبيت في الفتحات المبينة بالسهم واربطها بالمسامير اللولبية حسب سُمك سطح العمل (انظر الأشكال التالية).



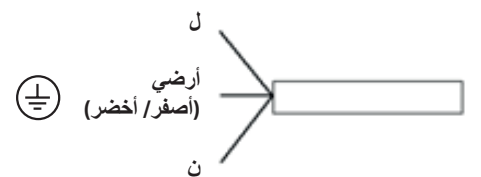
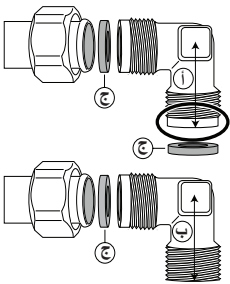
القياسي التنبيت

تركيب دافق

توصيل الغاز

- قم بتوصيل الوصلة المرفقية (أ) * أو (ب) * الواردة مع الموقد بأنبوب المدخل الرئيسي مع تركيب فلكة التنبيت (ج) الواردة مع الموقد بما يتفق مع توجيهات المعيار EN 549.
- استخدم الوصلة المرفقية (أ) في فرنسا واستخدم الوصلة المرفقية (ب) في جميع البلدان الأخرى.
- بعد توصيل مصدر الغاز، تأكد من عدم وجود تسرب وذلك باستخدام ماء به صابون. قم بإشعال الشعلات، وتدوير المفاتيح من موضع الحد الأقصى ⑤ إلى موضع الحد الأدنى ④ للتأكد من ثبات اللهب.

التوصيل بالتيار الكهربائي



- الرقم التسلسلي (الرقم الوارد بعد كلمة SN على لوحة الصنع الموجودة أسفل الجهاز). يشار إلى الرقم التسلسلي أيضًا في الوثائق.



Mod. xxx xxx
Ind.C. xxxx xxxx xxxx
SN: xxxx xxxx xxxx
Prod.N. xxxx xxxx xxxx

- عنوانك بالكامل،
- رقم هاتفك.

عند الحاجة للقيام بأية إصلاحات، يرجى الاتصال بأحد مراكز خدمة ما بعد البيع المعتمدة (لضمان استخدام قطع الغيار الأصلية وتنفيذ الإصلاحات بشكل صحيح).

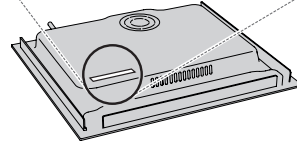
قبل الاتصال بخدمة ما بعد البيع:

1. تحقق مما إذا كان بمقدورك حل المشكلة بنفسك بمساعدة الاقتراحات المقدمة في دليل التغلب على الأعطال.
2. أوقف الجهاز، ثم أعد تشغيله مرة أخرى للتحقق مما إذا كان العطل لا يزال قائماً.

إذا كان العطل لا يزال قائماً بعد القيام بالفحوصات المذكورة أعلاه، فاتصل بأقرب مركز لخدمة ما بعد البيع.

عند الاتصال بخدمة ما بعد البيع، يرجى دئماً تحديد ما يلي:

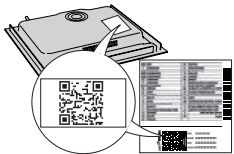
- وصف مختصر للعطل،
- نوع الجهاز وطرازه بدقة،



يمكن العثور على السياسات والمستندات القياسية ومعلومات المنتج الإضافية من خلال:

- استخدام كود الاستجابة السريعة بجهازك،
- زيارة موقعنا docs.whirlpool.eu/docs
- وكبديل، يمكنك الاتصال بخدمة ما بعد البيع لدينا (راجع رقم التليفون في كتيب الضمان). يرجى عند الاتصال بخدمة ما بعد البيع ذكر الأكواد المذكورة على لوحة تمييز المنتج.

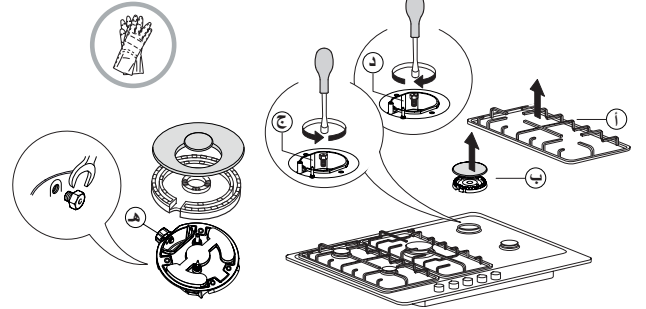
Whirlpool 2024 ©/TM/®. تم إنتاجه بموجب ترخيص.



استبدال الحاقنات (انظر جدول الحاقنات الوارد في نشرة تعليمات السلامة)

⚠ يجب ألا تتم هذه العملية إلا بواسطة فني مؤهل.

- اخلع الشبكة (أ).
- اخلع الشعلات (ب).
- اخلع الحاقن (ج) المراد استبداله باستخدام مفتاح ربط ذي مقاس مناسب.
- استبدله بحاقن مناسب لنوع الغاز الجديد.
- أعد تركيب الحاقن في (د).
- إذا كان لديك شعلة متعددة التيجان، فاستخدم مفتاحاً جانبياً لإعادة تركيب الحاقن (هـ).



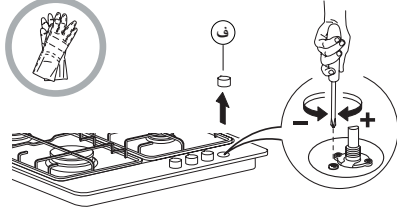
قبل تركيب الموقد، تذكر تثبيت لوحة معايرة الغاز المرفقة مع الحاقنات بالطريقة الموضحة في المعلومات الحالية المتعلقة بمعايرة الغاز.

ضبط الصنابير على الحد الأدنى للغاز

⚠ يجب ألا تتم هذه العملية إلا بواسطة فني مؤهل.

- يجب إجراء الضبط بحيث يكون الصنوبر في موضع ضبط الحد الأدنى للغاز (Ⓛ لهب صغير).
- ليس من الضروري ضبط الهواء الرئيسي في الشعلات.
- لضمان ضبط الحد الأدنى بالطريقة الصحيحة، الخلع المفتاح (ف) واستمر حسب الخطوات التالية:
- أحكم ربط المسامر اللولبي لتقليل ارتفاع اللهب (-)؛
- قم بإرخاء المسامر اللولبي لزيادة ارتفاع اللهب (+)؛

في هذه المرحلة، قم بإشعال الشعلات، وتدوير المفاتيح من موضع الحد الأقصى (Ⓜ) إلى موضع الحد الأدنى (Ⓛ) للتأكد من ثبات اللهب.



عند الانتهاء من عملية الضبط، أعد إحكام منع التسرب باستخدام شمع منع للتسرب أو أي مادة مكافئة

التنظيف والصيانة

⚠ يجب فصل التيار الكهربائي عن الجهاز قبل إجراء الصيانة.

تنظيف سطح الموقد

- لا تنظف اللوح الزجاجي والأجزاء المطلية بطبقة الميناء إلا بقطعة قماش ناعمة أو قطعة إسفنجية.
- يمكن خلع الشبكات وأغطية الشعلات وتنظيفها.
- قم بتنظيفها باليد باستخدام ماء دافئ ومنظف غير كاشط، وتخلص من أي بقايا طعام وتأكد من عدم انسداد أي فتحة من فتحات الشعلات.
- اشطفه وجففه.
- يمكن تنظيف الشبكات المصنوعة من حديد الزهر في غسالة الأطباق.
- أزل أي بقايا أظعمة محترقة قبل وضع الشبكات في الرف السفلي بغسالة الأطباق.
- أعد تركيب الشعلات وأغطية الشعلات بالطريقة الصحيحة في أماكنها المناسبة.
- عند إعادة تركيب الشبكات تأكد أن منطقة حاملات الأواني متوازية مع الشعلة.
- الموديلات المجهزة بقوابس إشعال كهربائية وأداة للسلامة تتطلب تنظيفاً شاملاً لطرف القابس لضمان التشغيل الصحيح. افحص هذه الأشياء بصورة متكررة، وإذا لزم الأمر قم بتنظيفها بقطعة قماش مبللة بالماء. يجب إزالة أي طعام متببس باستخدام عود تنظيف الأسنان أو إبرة.

ملاحظة: لتجنب تعرض جهاز الإشعال الكهربائي للتلف، لا تستخدمه إذا كانت الشعلات ليست في مكانها.

- يجب تنظيف كل الأجزاء الزجاجية والمصقولة بماء دافئ ومحلول متعادل.
- الأسطح المصنوعة من الصلب الذي لا يصدأ قد تظهر بها بقع في حالة غسلها بماء به جير أو منظفات قوية وتركها بها لمدة طويلة. يجب مسح أي طعام ينسكب على الموقد (ماء، صلصة، قهوة... الخ) قبل أن يجف.
- يجب أن يتم التنظيف بماء دافئ ومنظف متعادل، ثم تجفيفه بقطعة قماش ناعمة أو قطعة شموه. تخلص من الأوساخ المتصلبة باستخدام منظفات خاصة بالأسطح المصنوعة من الصلب الذي لا يصدأ (الاستينلس ستيل).
- ملاحظة: لا تنظف الأسطح المصنوعة من الصلب الذي لا يصدأ (الاستينلس ستيل) إلا بقطعة قماش ناعمة أو قطعة إسفنجية.
- لا تستخدم منتجات كاشطة أو أكالة أو منظفات الكلور أو منظفات الأواني المصنوعة من المعدن.
- لا تستخدم أجهزة التنظيف بالبخار.
- لا تستخدم منتجات التنظيف القابلة للاشتعال.
- لا تترك مواد حمضية أو قلووية، كالخل أو المستردة أو الملح أو السكر أو عصير الليمون على الموقد.

دليل تحري الأعطال

إذا كان الموقد لا يعمل بالطريقة الصحيحة، فارجع إلى دليل استكشاف الأعطال وإصلاحها لتحديد المشكلة قبل استدعاء خدمة ما بعد البيع

1. تعذر إشعال الشعلة أو اللهب غير متساو

- تأكد مما يلي:
- لم يتم غلق مصدر توصيل الغاز أو الكهرباء خاصة إذا كان صنوبر توصيل الغاز مفتوحاً.
- أسطوانة الغاز (الغاز السائل) ليست فارغة.
- فتحات الشعلات ليست مسدودة.
- طرف القابص ليس متسخاً.
- جميع أجزاء الشعلة تم تركيبها بالطريقة الصحيحة.
- عدم مرور تيارات هوائية بالقرب من الموقد.

2. الشعلة لا تبقى مشتعلة

- تأكد مما يلي:
- عند إشعال الشعلة، تم الضغط على المفتاح لمدة كافية من الوقت لتشغيل جهاز الحماية.
- فتحات الشعلات ليست مسدودة بالقرب من وصلة الأزواج الحراري.
- طرف جهاز الأمان ليس متسخاً.
- ضبط الحد الأدنى للغاز صحيح (انظر الفقرة المناسبة).

3. الأواني غير ثابتة

تأكد مما يلي:

- قاع الإناء من أسفل مسطح تماماً.
- الإناء تم وضعه في وسط الشعلة.
- الشبكات لم يتم تبديلها أو تم تركيبها بطريقة خاطئة.

إذا استمر حدوث الخلل بعد هذه الفحوصات، فاتصل بأقرب مركز لخدمة ما بعد البيع.