

EN

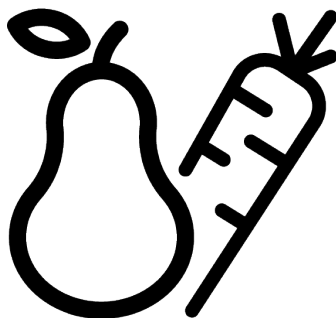
FR

DE

IT

Bauknecht

Refrigerator / User Manual
Congélateur / Réfrigérateur / Manuel d'utilisation
Kühlschrank / Bedienungsanleitung
Frigorifero / Manuale Utente



K55V1 113W CH

11 5943 0039/ EN/ FR/ DE/ IT/ AD/ 15.04.26 13:27
7225144314



CARTA RICICLATA E
RICICLABILE



RECYCELTES UND
RECYCELBARES PAPIER



PAPIER ENTièrement
RECYCLÉ ET RECYCLABLE



RECYCLED &
RECYCLABLE PAPER

Please read this manual first!

Our valued customer,

Thank you for choosing product. We want you to get the best results from your product, which is manufactured with high quality and technology. To do this, please read this entire manual and the other documents provided carefully before using the product.

Follow all the information and warnings in the user manual. This will protect you and your product from potential hazards. Keep the user manual. If you give the product to someone else, include the user manual with it.

The following symbols appear in the user manual and on the product:



Read the user manual.



Hazard that may result in death or injury.

| | |
|--|---|
|   SUPPLIER'S NAME MODEL IDENTIFIER → (*)   | The model information as stored in the product data base can be reached by entering following website and searching for your model identifier (*) found on energy label. https://eprel.ec.europa.eu/ |
|--|---|

Table of Contents

| | | |
|-----------|---|-----------|
| 1 | Safety Instructions | 4 |
| 1.1 | Important Safety Symbols | 4 |
| 1.2 | Intention of Use | 4 |
| 1.3 | Safety of Children, Vulnerable Persons and Pets | 5 |
| 1.4 | Electrical Safety | 5 |
| 1.5 | Handling Safety | 6 |
| 1.6 | Installation Safety..... | 6 |
| 1.7 | Operational Safety..... | 9 |
| 1.8 | Food Storage Safety..... | 12 |
| 1.9 | Maintenance and Cleaning Safety | 13 |
| 1.10 | Lighting | 13 |
| 1.11 | Disposal of the Old Product..... | 13 |
| 2 | Environmental Instructions | 14 |
| 2.1 | Compliance with the WEEE Dir- ective and Disposing of the Waste Product | 14 |
| 3 | Your Refrigerator | 15 |
| 4 | Installation | 15 |
| 4.1 | Right Place For Installation..... | 15 |
| 4.2 | Attaching the Plastic Wedges | 16 |
| 4.3 | Adjusting the Legs..... | 16 |
| 4.4 | Hot Surface Warning | 16 |
| 5 | Preparation | 16 |
| 5.1 | What To Do For Energy Saving | 16 |
| 5.2 | First Use | 16 |
| 5.3 | Climate Class and Definitions | 17 |
| 6 | Changing Door Direction | 17 |
| 7 | Operating the Product | 17 |
| 8 | Use of Your Appliance | 18 |
| 8.1 | Setting the Operating Temperat- ure..... | 18 |
| 8.2 | Replacing the Illumination Lamp.. | 19 |
| 9 | Maintenance and Cleaning | 19 |
| 10 | Troubleshooting | 20 |

1 Safety Instructions

- This section includes the safety instructions necessary to prevent the risk of personal injury or material damage.
- Our company shall not be held responsible for damages that may occur if these instructions are not observed.
- Always have installation and repair operations performed by manufacturer, authorized service or a person who will be described by importer company.
- Use original spare parts and accessories only.
- Do not repair or replace any component of the product unless it is clearly specified in the user manual.
- Do not perform any modifications on the product.

1.1 Important Safety Symbols

-  Risk of electric shock!
-  Read the user manual.
-  Danger that may result in burns due to contact with hot surfaces.
-  Combustible material, warning against fire hazard.
-  Risk of injury due to contact with sharp surfaces!

 Risk of UV-C radiation

1.2 Intention of Use

- This product is not suitable for commercial use and should not be used for a purpose other than its intended use.
- This product is intended for operating interiors, such as households or similar.

For example;

In the staff kitchens of the stores, offices and other working environments,

In farm houses,

In the units of hotels, motels or other resting facilities that are used by the customers,

In hostels, or similar environments,

In catering services and similar non-retail applications.

- This product shall not be used in open or enclosed external environments such as vessels, camper vans, balconies or terraces. Exposing the product to rain, snow, sunlight and wind may cause risk of fire.

1.3 Safety of Children, Vulnerable Persons and Pets

- This product may be used by children aged 8 years and older and persons with under-developed physical, sensory or mental capabilities or lack of experience and knowledge if they are being supervised or have been given instruction concerning use of the appliance in a safe way and the hazards involved.
- Children between 3 and 8 years are allowed to put and take out food into/from the cooler product.
- Children and pets must not play with, climb on, or get inside the product.
- Children and pets must be kept away from the cabin area (compressor) where electrical parts are located.
- Cleaning and user maintenance must not be performed by children unless there is someone overseeing them.
- Keep the packaging materials away from children. Risk of injury and suffocation.
- If there is a lock available on the product's door, keep the key out of children's reach.

1.4 Electrical Safety

- The product shall not be plugged into the outlet during installation, maintenance, cleaning, repair, and transportation operations.
- If the power cable is damaged, it must be replaced by the person sent by the manufacturer, authorized service provider or the importer to prevent any potential danger.
- Do not tuck the power cable under the product or to the rear of the product. Do not put heavy items on the power cable. The power cable should not be bent, crushed, and come into contact with any heat source.
- Use an original cable only. Do not use cut or damaged cables.
- Do not use an extension cord, multi-plug or adaptor to operate your product.
- Portable multi-plugs or portable power supplies may overheat and cause fire. Thus, do not have a multi-plug, portable power sources behind or in the vicinity of the product.

- Before plugging the product into the power source, please remove the power cable from the condenser hook (if available) during the installation.
- The user should not be able to reach the electrical parts after installation.
- Do not plug the product's power cord in a loose or damaged power outlet. These types of connections may overheat and cause fire.
- The plug shall be easily accessible. If this is not possible, a mechanism that meets the electrical legislation and that disconnects all terminals from the mains (fuse, switch, main switch, etc.) shall be available on the electrical installation.
- The product must not be operated with an external switching device such as a timer, or a remote controlled system.
- Do not use the product when your feet are bare or your body is wet.
- Do not touch the plug with wet hands.
- When unplugging the appliance, don't hold the power cable, but the plug.
- Make sure that the plug is not wet, dirty or dusty.

- Do not ever connect your product to power saving devices. These systems are harmful for the product.

1.5 Handling Safety

- Make sure to unplug the appliance before carrying the product.
- This product is heavy, do not handle it by yourself. Injuries may occur if the product falls on you. Do not bump into places or drop the product while transporting it.
- Always close the doors and do not hold the product by its doors while transporting it.
- Be careful not to damage the cooling system and the pipes while handling the product. Do not operate the product if the pipes are damaged, and contact an authorized service.

1.6 Installation Safety

- To prepare the product for use, see the information in the user and installation manual and make sure the electric and water utilities are as required. If not, call a qualified electrician and plumber to arrange the utilities as necessary.
- **Failure to do so may result in electric shock, fire, problems with the product, or injury.**

- Before starting the installation, switch off the fuse to de-energise the power line to which the product is connected.
- The product should be installed by two or more people. Use protective gloves while removing the product from the packaging and installation.
- This product is designed for use at a maximum altitude of 2000 metres above sea level.
- Keep children away from installation area.
- Check for any damage on the product before installing it. Do not have the product installed if it is damaged.
- Always use personal protective equipment (gloves, etc.) during product installation, maintenance and repair. Risk of injury.
- Do not install or leave the product in places where it may be exposed to external ambient temperatures.
- Place the product on a clean, level and hard surface and balance it with the adjustable legs (by rotating the front feet to the right or left). Otherwise, the refrigerator may tip over and cause injuries.
- Proceed with care to prevent causing any damage to the floors (tiling etc.) while moving the product. Install the product on a floor, or provide sufficient support depending on the size, weight and the use-case of the product. Ensure that the product is not near a heat source, and all four feet are stable and leaning against the floor. Install the product as necessary, and ensure that it is horizontal, using a bubble level. To ensure the complete efficiency of the refrigerant circuit, wait for at least two hours before operating the product.
- The product shall be installed in a dry and ventilated environment. Do not keep carpets, rugs or similar covers under the product. This may cause risk of fire as a result of inadequate ventilation!
- Do not block or cover ventilation holes. Otherwise, power consumption increases and your product may be damaged.
- Leave sufficient space by the sides and above to ensure adequate ventilation. The gap between the back panel and the wall behind the product must be a minimum of 50mm in order to prevent hot surfaces. Reducing this distance may increase the energy consumption of product.

- When placing the product, make sure that the supply cable is not damaged or pinched.
- The product must not be connected to supply systems and power sources which may cause sudden voltage changes (i.e. a portable solar-energy power source). Otherwise, damage to your product may occur as a result of the abrupt voltage fluctuations!
- The more refrigerant a refrigerator contains, the bigger its installation room shall be. In very small rooms, a flammable gas-air mixture may occur in case of a gas leak in the cooling system. At least 1 m³ of volume is required for each 8 grams of refrigerant. The amount of the refrigerant available in your product is specified in the Type Label.
- The product must never be placed in such a way that power cables, the metal hose of the gas stove, metal gas or water pipes come into contact with the product's rear wall (or the condenser).
- The installation place of the product must not be exposed to direct sunlight and it shall not be in the vicinity of a heat source such as stoves, radiators, etc. If you cannot prevent installation of the product in the vicinity of a heat source, use a suitable insulation plate and make sure the minimum distance to the heat source is as specified below:
 - At least 30 cm away from heat sources such as stoves, ovens, heating units and heaters, etc.,
 - And at least 5 cm away from electrical ovens.
- Your product has the protection class of I.
- Plug the product in a grounded socket that conforms with the Voltage, Current and Frequency values specified in the type label. The socket must have a 10A – 16A fuse. Our firm will not assume responsibility for any damages due to usage without earthing and without power connection in compliance with local and national regulations.
- The product's power cable must be unplugged during installation. Otherwise, risk of electric shock and injury may occur!
- Do not plug the product to loose, broken, dirty, greasy sockets or sockets that have come out of their seats or sockets with a risk of water

contact. These types of connections may overheat and cause fire.

- Place the power cable and hoses (if any) of the product so that they shall not cause a risk of tripping over.
- Penetration of humidity and liquid to live parts or to the power cord may cause short circuit. Thus, do not use the product in humid environments or in areas where water may splash (e.g. garage, laundry room, etc.) If the refrigerator is wet by water, unplug it and contact an authorized service.
- Do not ever connect your refrigerator to power saving devices. These systems are harmful for the product.
- There is a risk of contact with electrical parts when removing the electronic board cover and the compressor rear cover (if fitted). Do not remove the electronic board cover and the compressor rear cover (if fitted). There is a risk of electrocution!
- In case of a failure of the product, unplug it (or de-energise the fuse to which it is connected), and do not operate until it is repaired by the authorized service. There is a risk of electric shock!
- Do not place flames (lighted candle, cigarette, etc.) or heat sources (iron, hob, oven, etc.) on or near the product. Do not place flammable/explosive materials near the product...
- Do not get on the product. Risk of falling and injury!
- Do not cause damage to the pipes of the cooling system using sharp and piercing tools. The refrigerant that sprays out in case of puncturing the gas pipes, pipe extensions or upper surface coatings may cause irritation of skin and injury to the eyes.
- Do not intervene in or damage the coolant circuit Risk of explosion.
- Do not place and operate electrical appliances inside the refrigerator/freezer unless it is advised by the manufacturer.
- Do not use any procedures other than those recommended by the manufacturer to speed up defrosting.

1.7 Operational Safety

- Do not ever use chemical solvents on the product. These materials contain an explosion risk.

- Take due care not to jam any parts of your hands or your body to the moving parts inside the product. Be careful to prevent jamming of your fingers between the refrigerator and its door. Be careful while opening or closing the door if there are children around.
- Do not put ice cream, ice cubes or frozen food to your mouth as soon as you take them out of the freezer. Risk of frostbite!
- Do not touch the inner walls, metal parts of the freezer or food kept inside the freezer with wet hands. Risk of frostbite!
- Do not place soda cans or cans and bottles that contain fluids that may be frozen to the freezer compartment. Cans or bottles may explode. Risk of injury and material damage!
- Do not use or place materials sensitive against temperature such as flammable sprays, flammable objects, dry ice or other chemical agents in the vicinity of the refrigerator. Risk of fire and explosion!
- Do not store explosive materials such as aerosol cans with flammable materials inside the product.
- Do not place cans containing fluids over the product an open state. Splashing of water on an electrical part may cause an electric shock or a fire.
- Due to risk of breaking, do not store glass containers with liquid inside in the freezer compartment.
- This product is not intended for storage and cooling of medicines, blood plasma, laboratory preparations or similar materials and products that are subject to the Medical Products Directive.
- If the product is used against its intended purpose, it may cause damage to or deterioration of the products stored inside.
- If your refrigerator is equipped with blue light, do not look at this light with optical devices. Do not stare directly at UV LED light for a long time. Ultraviolet rays may cause eye strain.
- Do not fill the product with more contents than its capacity. Do not use any procedures other than those recommended by the manufacturer to speed up defrosting. Injuries or damages may occur if the contents of the refrigerator fall when the door is opened. Sim-

ilar problems may also occur when an object is placed over the product.

- Ensure that you have removed any ice or water that may have fallen to the floor to prevent injuries.
- Change the locations of the racks/bottle racks on the door of your refrigerator only when the racks are empty. Danger of injury!
- Do not place objects that may fall/tip over on the product. These objects may fall while opening or closing the door and cause injuries and/or material damages.
- Do not hit or exert excessive pressure on glass surfaces. Broken glass may cause injuries and/or material damages.
- For products designed to use an air filter inside an accessible fan cover, the filter must always be in position when the refrigerator is in function.
- Do not block out the fan (if available) with food.
- Damaged gaskets should be replaced as soon as possible.
- Your product may have special compartments (Fresh Food Compartment, Zero Degrees Compartment etc.) Unless otherwise stated in the relevant manual of the product, these

compartments can be removed, and the product can be used with the same performance.

- The cooling system in your product contains R600a refrigerant. The refrigerant type used in the product is specified in the type label. This gas is flammable. Therefore, be careful not to damage the cooling system and the pipes while operating the product. In case of damage to the pipes;
 1. Do not touch the product or the power cable.
 2. Keep the product away from potential sources of fire that may cause the product to catch fire.
 3. Ventilate the area where the product is placed. Do not use a fan.
 4. Contact Authorized Service.Before disposing of old products that shall not be used any more:
 1. Unplug the power cord from the mains socket.
 2. Cut the power cable and remove it from the appliance together with the plug.
 3. Do not remove the racks and drawers from the product to prevent children from getting inside the appliance.
 4. Remove the doors.

5. Store the product so that it shall not be tipped over.
 6. Do not allow children to play with the scrapped product.
 7. If the product is damaged and you observe gas leak, please stay away from the gas. Gas may cause frostbite if it contacts your skin.
- Do not dispose of the product by throwing it into fire. Risk of explosion.
 - If there is a lock available on the product's door, keep the key out of children's reach.

1.8 Food Storage Safety

Please pay attention to the following warnings to avoid food spoilage:

- Leaving the doors open for a long time may cause the temperature inside the product to rise.
 - Regularly clean the accessible drainage systems in contact with food.
 - Clean the water tanks that have not been used for 48 hours and mains-fed water systems that have not been used for more than 5 days.
 - Store raw meat and fish products in appropriate compartments within the product.
- Thus, it does not drip on or come into contact with other foods.
- Two-star freezer compartments are used for storing pre-filled foods, making and storing ice and ice cream.
 - One, two and three-star compartments are not appropriate for freezing fresh food.
 - If the cooling product has been left empty for a long time, turn off the product, defrost, clean, and dry the product in order to protect the housing of the product.
 - After the foods are placed, check if the compartment hatches, and especially the freezer door, are properly closed.
 - Use the refrigerator compartment for storing fresh foods, and the freezer compartment for storing frozen goods, freezing fresh foods and preparing ice cubes.
 - Do not store foods without properly sealing them in the refrigerator and the freezer compartments, to prevent direct contact with the inner surfaces.

1.9 Maintenance and Cleaning Safety

- Unplug the refrigerator or de-energise the fuse before cleaning it or starting to perform maintenance.
- Do not pull by the door or door handle if you are going to move the product for cleaning purposes. The door may cause injuries if the handle is pulled too hard.
- Do not place hands, feet or metal objects under or behind your product. Jamming may occur or any sharp edge may cause personal injuries.
- Do not wash the inside or outside of the product with a pressure washer, steam, spray water or pouring water. Risk of electric shock and fire.
- When cleaning the product, do not use sharp and abrasive tools or household cleaning agents, detergent, gas, gasoline, thinner, alcohol, varnish, and similar substances. Use only cleaning and maintenance agents that are not harmful for food inside the product.
- Do not use paper towels, kitchen sponges or other hard cleaning materials.
- Do not ever use steam or steamed cleaning materials for cleaning the product and thaw-

ing the ice inside it. Steam contacts the live areas in your refrigerator and causes short circuit or electric shock.

- Do not use any mechanical tools or any other tools than the recommendations of the manufacturer to speed up the thawing operation.
- Take care to keep water away from the ventilation holes, electronic circuits or lighting of the product. Otherwise, risk of fire or electric shock may occur.
- Use a clean, dry cloth to wipe the dust or foreign material on the tips of the plugs. Do not use a wet or damp piece of cloth to clean the plug. Otherwise, risk of fire or electric shock may occur.

1.10 Lighting

Contact an authorized service when you shall replace the LED / bulb using for lighting.

1.11 Disposal of the Old Product

When disposing of your old product follow the instructions below:

- To prevent children from accidentally locking themselves into the product, if there is door lock, disable it.

- Splash of coolant is harmful to the eyes. Do not damage any part of the cooling system while disposing of the product.
- It may be fatal if the compressor oil is swallowed or if it penetrates the respiratory tract.
- Cooling system of your product includes R600a gas as specified in the type label. This

gas is flammable. Do not dispose of the product by throwing it into fire. Risk of explosion!

- C-Pentane is used as a blowing agent in insulation foam and it is a flammable substance. Do not dispose of the product by throwing it into fire.

2 Environmental Instructions

2.1 Compliance with the WEEE Directive and Disposing of the Waste Product



This product complies with EU WEEE Directive (2012/19/EU). This product bears a classification symbol for waste electrical and electronic equipment (WEEE).

This symbol indicates that this product shall not be disposed with other household wastes at the end of its service life. Used device must be returned to official collection point for recycling of electrical and electronic devices. To find these collection systems please contact to your local authorities or retailer where the product was purchased. Each household performs important role in recovering and recycling of old appliance. Appropriate disposal of used appliance helps prevent potential negative consequences for the environment and human health.

Compliance with RoHS Directive

The product you have purchased complies with EU RoHS Directive (2011/65/EU). It does not contain harmful and prohibited materials specified in the Directive.



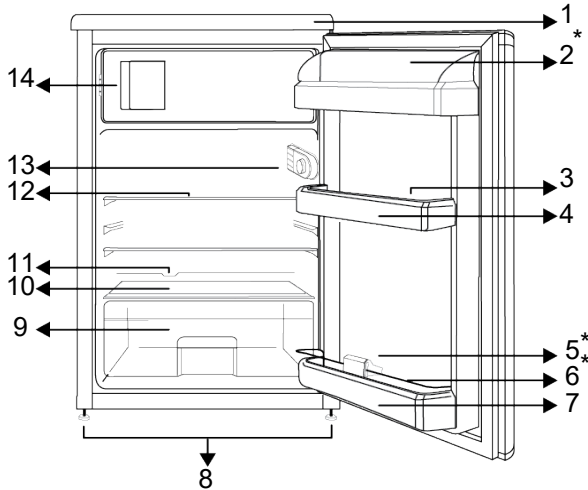
Package information

Packaging materials of the product are manufactured from recyclable materials in accordance with our National Environment Regulations. Do not dispose of the packaging materials together with the domestic or other wastes. Take them to the packaging material collection points designated by the local authorities.



Conformity with standards and test information / Declaration of EC conformity

Development, manufacture and sales stages of this product conform to the safety rules in all relevant guidelines of the European Community. 2014/35/EU, 2014/30/EU, 93/68/EC, IEC 60436/DIN 44990, EN 50242



- | | |
|--|----------------------------------|
| 1 Fixed Upper Tray | 2 *Butter and Cheese Compartment |
| 3 Egg holder | 4 Door Shelf |
| 5 *Bottle Holder | 6 *Safety Visor |
| 7 Bottle Shelf | 8 Adjustable Legs |
| 9 Crisper | 10 Crisper Cover Glass |
| 11 Defrost Water Collection Channel - Drainage | 12 Glass Rack |
| 13 Thermostat Knob | 14 Freezer Compartment |

***Optional:** Figures in this user manual are schematic and may not exactly match your product. If your product does not comprise the relevant parts, the information pertains

to other models. Please inquire with the seller whether this is applicable to your model.

4 Installation

Read the "Safety Instructions" first!

4.1 Right Place For Installation

Contact the Authorized Service for the product's installation. To prepare the product for installation, see the information in the user manual and make sure the electric and water utilities are as required. If not, call an electrician and plumber to arrange the utilities as necessary.

- Place the product on a flat surface to avoid vibration

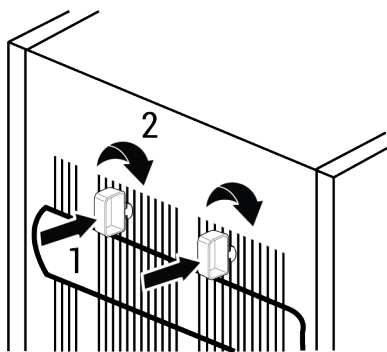
- Place the product at least 30 cm away from the heater, stove and similar sources of heat and at least 5 cm away from electric ovens.
- When placing two coolers in adjacent position, leave at least 4 cm distance between the two units.
- Keep the product out of direct sunlight and in a dry place.
- Products need to have at least 5cm clearance between side walls and rear wall to reach the declared performance values.

If clearance is less than 5cm, energy and performance losses will be at a level that will not affect to end user.

4.2 Attaching the Plastic Wedges

Use the plastic wedges provided with the product to maintain sufficient space for air circulation between the product and the wall. Mount 2 pieces of plastic wedges as shown in the following figure.

(The indicated picture is drawn representatively, it is not completely same as your product.)



5 Preparation

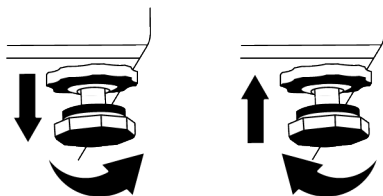
Read the "Safety Instructions" first!

5.1 What To Do For Energy Saving

- This refrigerating appliance is not intended to be used as a built in appliance.
- When loading the food, leave enough space inside the refrigerator to allow sufficient air circulation for cooling.
- Since hot and humid air will not directly penetrate into your product when the doors are not opened, your product will optimize itself in conditions sufficient to protect your food. Under these circumstances, functions and components such as compressor, fan, heater, defrost, lighting, display and so on will operate according to the needs by consuming minimum energy.
- In case that multiple options are present, glass shelves must be placed so that the air outlets at the rear wall are not blocked and preferably, in a way that air outlets

4.3 Adjusting the Legs

If the product is not in balanced position, adjust the front adjustable legs by rotating them to right or left.



4.4 Hot Surface Warning

The side walls of your product are equipped with cooler pipes to enhance the cooling system. High pressure fluid may flow through these surfaces, and cause hot surfaces on the side walls. This is normal and it does not require servicing.

remain below the glass shelf. This combination may help improving air distribution and energy efficiency.

- Store food in the cooler or chill compartment according to proper storage conditions to save energy.

5.2 First Use

Before using your product make sure the necessary preparations are made in line with the instructions in "Safety Instructions" and "Installation" sections.

- Wait for at least 2 hours before operating the product, to ensure the complete efficiency of refrigeration.
- Keep the product running without placing any food inside for 6 hours and the product door should be kept as closed as possible.

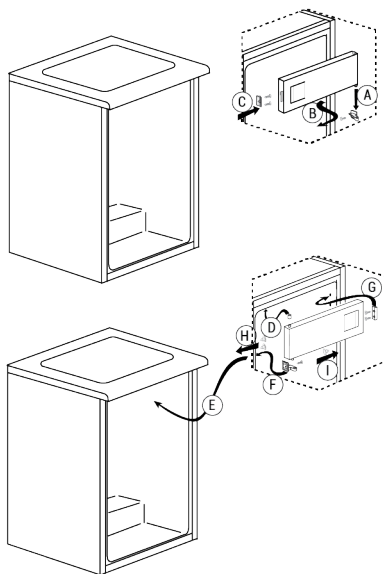
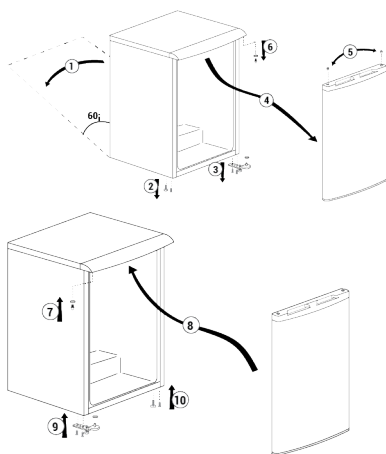
- The temperature change caused by opening and closing of the door while using the product may normally lead to condensation on door/body shelves and glassware placed in the product.
- A sound will be heard when the compressor is engaged. It is normal for the product to make noise even if the compressor is not running, as fluid and gas may be compressed in the cooling system.
- It is normal for the front edges of the product to be warm. These areas are designed to warm up in order to prevent condensation
- For some models, indicator panel turns off automatically 1 minute after the door closes. It will be reactivated when the door is opened or any button is pressed.

5.3 Climate Class and Definitions

Please refer to the Climate Class on the rating plate of your device. One of the following information is applicable to your device according to the Climate Class.

- **SN**: Long Term Temperate Climate: This cooling device is designed for use at ambient temperatures between 10 °C and 32 °C.
- **N**: Temperate Climate: This cooling device is designed for use at ambient temperatures between 16°C and 32 °C.
- **ST**: Subtropical Climate: This cooling device is designed for use at ambient temperatures between 16°C and 38°C.
- **T**: Tropical Climate: This cooling device is designed for use at ambient temperatures between 16°C and 43°C.

6 Changing Door Direction



7 Operating the Product

Read the "Safety Instructions" first!

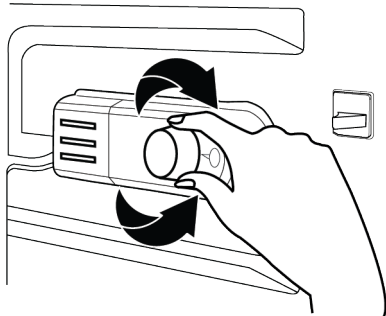
- The product should only be used for food storage.
- If you will be away from home for an extended period (e.g., on vacation) and will not be using the ice maker or water dispenser, turn off the water valve. Otherwise, a water leak may occur.

- Slight variations in surface brightness may be observed on stainless steel surfaces due to the manufacturing process and the inherent characteristics of the material. This is normal and does not affect product performance.

8 Use of Your Appliance

8.1 Setting the Operating Temperature

The operating temperature is set by the temperature control.



Warm ← ● 1 ● 2 ● 3 ● 4 ● 5 ● Cold
(Or) Min. Max.

1=Lowest cooling setting (Warmest setting)

5=Highest cooling setting (Coldest setting)

or

Min. = Lowest cooling setting
(Warmest setting)

Max. = Highest cooling setting
(Coldest setting)

The average temperature inside the cooler compartment should be around +5°C.

Please select a setting based on the desired temperature.

Please note that there will be different temperatures in the cooling area.

The coldest zone is just above the crisper.

The internal temperature also depends on the ambient temperature, the frequency with which the door is opened and the amount of food stored inside.

Product shutdown

- Remove the food to prevent odors.
- Wait for the ice to melt, clean the interior, and let it dry, leaving the doors open to avoid damaging the interior plastics.

Frequent opening of the door causes the internal temperature to rise.

It is therefore recommended to close the door as soon as possible after use.

Use of interior compartments

Movable shelves: The distance between the shelves can be adjusted as required.

Vegetable drawer: In this compartment, vegetables and fruit can be stored for a long time without spoiling.

Bottle shelf: Bottles, jars and cans can be placed on these shelves.

Food storage

The refrigerator compartment is intended for short-term storage of fresh food and drinks.

Store dairy products in the designated compartment of the refrigerator.

Bottles can be stored in the bottle holder or on the bottle shelf in the door.

Raw meat is best stored in a polyethylene bag in the lowest compartment of the refrigerator.

Allow hot food and drinks to cool to room temperature before placing them in the refrigerator.

• Caution:

Store concentrated alcohol only upright and tightly closed.

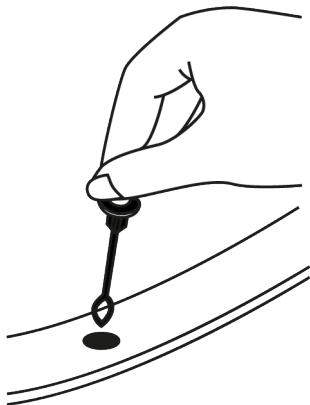
• Caution:

Do not store explosive substances or containers with flammable propellants (cans, spray cans, etc.) in the unit. Risk of explosion.

Defrosting

Defrosting of the refrigerator compartment is done automatically. The defrosted water flows through the drain channel into a collection container at the back of the appliance.

During defrosting, water drops form at the back of the refrigerator due to the evaporator.



If the drops do not all flow downwards, they may freeze again after defrosting. Clean them with a cloth soaked in warm water, but never with a hard or sharp object.



8.2 Replacing the Illumination Lamp

Call the Authorized Service when the Bulb/LED used for lighting in your refrigerator will be replaced.

Lamp(s) used in this appliance cannot be used for house lighting. Intended use of this lamp is to help the user place food into the refrigerator / freezer safely and comfortably.

9 Maintenance and Cleaning

Read the "Safety Instructions" first!

- Unplug your appliance before cleaning it.
- The dust on the ventilation grille on the back of the product should be removed (without opening the lid) at least once a year. Cleaning should be done with a dry cloth.
- Be careful not to let water get into the lamp housing and other electrical parts.
- Clean the door with a damp cloth. Remove all contents to take out the door and body shelves. Lift the door shelves upwards to remove them. After cleaning and drying, slide them back in place from top to bottom.
- Never use chlorine-containing water or cleaning agents for cleaning the exterior surface of the product or chrome-plated parts. Chlorine causes rust on these types of metal surfaces.
- To prevent the prints on the plastic part from peeling off or deforming, do not use sharp, abrasive tools, soap, household cleaning products, detergents, gasoline, polish, etc. For cleaning, use a soft cloth with lukewarm water and dry.
- In products without No Frost technology; water droplets and up to a finger's thickness of frost will form on the back wall of the cooling compartment. Do not clean it, and absolutely do not apply oil or similar substances.
- Use only a slightly damp microfiber cloth for cleaning the exterior surface of the product. Sponges and other types of cleaning cloths may cause scratches.
- To clean the interior surfaces of the product, wash all removable parts with a mild solution of soap, water, and baking soda. Rinse thoroughly and dry completely. Prevent water from getting into the lights and control panel.
- Do not use vinegar, rubbing alcohol, or other alcohol-based cleaners on any interior surfaces.

Stainless Steel Exterior Surfaces

Use a non-abrasive stainless steel cleaner and apply it with a lint-free, soft cloth. To polish, gently wipe the surface with a microfiber cloth dampened with water and use a dry polishing pad. Always follow the grain of the stainless steel.

Preventing Bad Odors

No substances that could cause odor are used in the production of your product. However, odors may arise due to improper food storage and failure to properly clean the product's interior surface.

10 Troubleshooting

Read the "Safety Instructions" first!

Check this list before contacting the service. Doing so will save you time and money. This list includes frequent complaints that are not related to faulty workmanship or materials. Certain features mentioned herein may not apply to your product.

If the problem persists after following the instructions in this section, contact your vendor or an Authorized Service. Do not try to repair the product.

The refrigerator is not working.

- The power plug is not fully settled. >>> Plug it in to settle completely into the socket.
- The fuse connected to the socket powering the product or the main fuse is blown. >>> Check the fuse.

Condensation on the side wall of the cooler compartment (MULTI ZONE, COOL CONTROL and FLEXI ZONE).

- The door is opened too frequently. >>> Take care not to open the product's door too frequently.
- The environment is too humid. >>> Do not install the product in humid environments.
- Foods containing liquids are kept in unsealed holders. >>> Keep the foods containing liquids in sealed holders.

- To prevent this problem, clean with baking soda water every 15 days.
- Store food in sealed containers, as microorganisms released from open food can cause bad odors.
- Never store expired or spoiled food in your product.

Protection of Plastic Surfaces

If oil spills on plastic surfaces, clean them immediately with warm water, as the oil can damage the surface.

- The product's door is left open. >>> Do not keep the product's door open for long periods.
- The thermostat is set to a very cool temperature. >>> Set the thermostat to an appropriate temperature.

Compressor is not working.

- In case of sudden power failure or pulling the power plug off and putting back on, the gas pressure in the product's cooling system is not balanced, which triggers the compressor thermic safeguard. The product will restart after approximately 6 minutes. If the product does not restart after this period, contact the service.
- Defrosting is active. >>> This is normal for a fully-automatic defrosting product. The defrosting is carried out periodically.
- The product is not plugged in. >>> Make sure the power cord is plugged in.
- The temperature setting is incorrect. >>> Select the appropriate temperature setting.
- The power is out. >>> The product will continue to operate normally once the power is restored.

The refrigerator's operating noise is increasing while in use.

- The product's operating performance may vary depending on the ambient temperature variations. This is normal and not a malfunction.

The refrigerator runs too often or for too long.

- The new product may be larger than the previous one. Larger products will run for longer periods.
- The room temperature may be high. >>> The product will normally run for long periods in higher room temperature.
- The product may have been recently plugged in or a new food item is placed inside. >>> The product will take longer to reach the set temperature when recently plugged in or a new food item is placed inside. This is normal.
- Large quantities of hot food may have been recently placed into the product. >>> Do not place hot food into the product.
- The doors were opened frequently or kept open for long periods. >>> The warm air moving inside will cause the product to run longer. Do not open the doors too frequently.
- The freezer or cooler door may be ajar. >>> Check that the doors are fully closed.
- The product may be set to a temperature that is too low. >>> Set the temperature to a higher degree and wait for the product to reach the adjusted temperature.
- The cooler or freezer door washer may be dirty, worn out, broken or not properly settled. >>> Clean or replace the gasket. Damaged / torn door washer will cause the product to run for longer periods to preserve the current temperature.

The freezer temperature is very low, but the cooler temperature is adequate.

- The freezer compartment temperature is set to a very low degree. >>> Set the freezer compartment temperature to a higher degree and check again.

The cooler temperature is very low, but the freezer temperature is adequate.

- The cooler compartment temperature is set to a very low degree. >>> Set the cooler compartment temperature to a higher degree and check again.

The food items kept in cooler compartment drawers are frozen.

- The cooler compartment temperature is set to a very low degree. >>> Set the cooler compartment temperature to a higher degree and check again.

The temperature in the cooler or the freezer is too high.

- The cooler compartment temperature is set to a very high degree. >>> Temperature setting of the cooler compartment has an effect on the temperature in the freezer compartment. Wait until the temperature of relevant parts reach the sufficient level by changing the temperature of cooler or freezer compartments.
- The doors were opened frequently or kept open for long periods. >>> Do not open the doors too frequently.
- The door may be ajar. >>> Fully close the door.
- The product may have been recently plugged in or a new food item is placed inside. >>> This is normal. The product will take longer to reach the set temperature when recently plugged in or a new food item is placed inside.
- Large quantities of hot food may have been recently placed into the product. >>> Do not place hot food into the product.

Shaking or noise.

- The surface is not flat or durable >>> If the product is shaking when moved slowly, adjust the stands to balance the product. Also make sure the ground is sufficiently durable to bear the product.
- Any items placed on the product may cause noise. >>> Remove any items placed on the product.
- The product is making noise of liquid flowing, spraying etc.
- The product's operating principles involve liquid and gas flows. >>> This is normal and not a malfunction.

There is sound of wind blowing coming from the product.

- The product uses a fan for the cooling process. This is normal and not a malfunction.

There is condensation on the product's internal walls.

- Hot or humid weather will increase icing and condensation. This is normal and not a malfunction.
- The doors were opened frequently or kept open for long periods. >>> Do not open the doors too frequently; if open, close the door.
- The door may be ajar. >>> Fully close the door.

There is condensation on the product's exterior or between the doors.

- The ambient weather may be humid, this is quite normal in humid weather. >>> The condensation will dissipate when the humidity is reduced.

The interior smells bad.

- The product is not cleaned regularly. >>> Clean the interior regularly using sponge, warm water and carbonated water.
- Certain holders and packaging materials may cause odour. >>> Use holders and odour-free packaging materials.
- The foods were placed in unsealed holders. >>> Keep the foods in sealed holders. Micro-organisms may spread out of unsealed food items and cause bad odour.

- Remove any expired or spoiled foods from the product.

The door is not closing.

- Food packages may be blocking the door. >>> Relocate any items blocking the doors.
- The product is not standing in full upright position on the ground. >>> Adjust the stands to balance the product.
- The surface is not flat or durable >>> Make sure the surface is flat and sufficiently durable to bear the product.

The crisper is jammed.

- The food items may be in contact with the upper section of the drawer. >>> Reorganize the food items in the drawer.

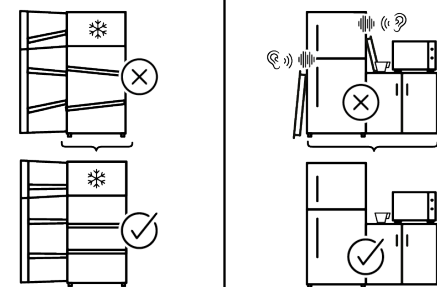
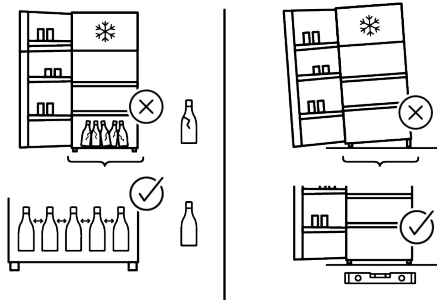
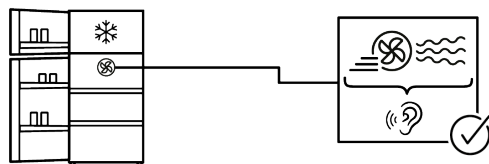
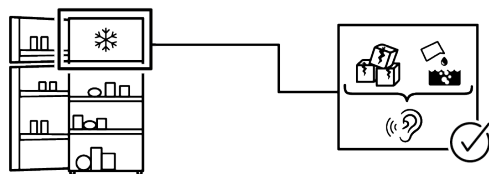
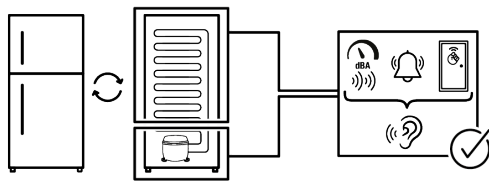
Temperature on the product surface.

- High temperature may be observed between two doors, on the side panels and on the rear grill area while your product is operated. This is normal and it does not require servicing.

Fan continues to operate when the door is opened.

- Fan may continue to operate when the freezer door is open.

If the problem persists after following the instructions in this section, contact your vendor or an Authorized Service. Do not try to repair the product. This is normal.



Please scan the QR code which places on the outer packaging of the product to find all the information relating to the packaging and how to manage the packaging waste.

DISCLAIMER

Some (simple) failures can be adequately handled by the end-user without any safety issue or unsafe use arising, provided that they are carried out within the limits and in accordance with the following instructions (see the "Self-Repair" section).

Therefore, unless otherwise authorized in the "Self-Repair" section below, repairs shall be addressed to registered professional repairers in order to avoid safety issues. A registered Professional repairer is a professional repairer that has been granted access to the instructions and spare parts list of this product by the manufacturer according to the methods described in legislative acts pursuant to Directive 2009/125/EC.

However, only the service agent (i.e. authorized professional repairers) that you can reach through the phone number given in the user manual/warranty card or through your authorized dealer may provide service under the guarantee terms. Therefore, please be advised that repairs by professional repairers (who are not authorized by) Bauknecht shall void the guarantee.

Self-Repair

Self-repair can be done by the end-user with regard exclusively to the following spare parts: door handles, door hinges, trays, baskets and door gaskets (an updated list is also available <https://parts-selfservice.europeanappliances.com> as of 1st March 2021).

Moreover, to ensure product safety and to prevent risk of serious injury, the mentioned self-repair shall be done following the instructions in the user manual for selfrepair or which are available in <https://parts-selfservice.europeanappliances.com>. For your safety, unplug the product before attempting any self-repair.

Repair and repair attempts by end-users for parts not included in such list and/or not following the instructions in the user manuals for self-repair or which are available in <https://parts-selfservice.europeanappliances.com>, might give rise to safety issues not attributable to Bauknecht, and will void the warranty of the product.

Therefore, it is highly recommended that end-users refrain from the attempt to carry out repairs falling outside the mentioned list of spare parts, contacting in such cases authorized professional repairers or registered professional repairers. On the contrary, such attempts by end-users may cause safety issues and damage the product and subsequently cause fire, flood, electrocution and serious personal injury to occur.

By way of example, but not limited to, the following repairs must be addressed to authorized professional repairers or registered professional repairers: compressor, cooling circuit, main board, inverter board, display board, etc.

The manufacturer/seller cannot be held liable in any case where end-users do not comply with the above.

The spare part availability of the refrigerator that you purchased is 10 years. During this period, original spare parts will be available to operate the refrigerator properly. The minimum duration of guarantee of the refrigerator that you purchased is 24 months.

This product is equipped with a lighting source of the "G" energy class.

The lighting source in this product shall only be replaced by Professional repairer.

See also

Premièrement veuillez lire ce manuel !

Notre précieux client,

Merci d'avoir choisi le produit . Nous souhaitons que vous obteniez les meilleurs résultats avec ce produit, fabriqué avec des technologies de haute qualité. Pour ce faire, veuillez lire attentivement ce manuel et les autres documents fournis avant d'utiliser le produit.

Suivez toutes les informations et avertissements du manuel d'utilisation. Cela vous protégera, vous et votre produit, des dangers potentiels. Conservez le manuel d'utilisation.

Transmettez obligatoirement ces notices aux utilisateurs, y compris en cas de prêt ou de revente.

Les symboles suivants apparaissent dans le manuel d'utilisation et sur le produit :



Lisez le manuel d'utilisation.



Il s'agit d'un danger qui peut entraîner la mort ou des blessures.





| | |
|---|--|
|  ENERG  | Les informations sur le modèle, telles qu'elles sont enregistrées dans la base de données des produits, peuvent être obtenues en accédant au site web suivant et en recherchant l'identifiant du modèle (*) figurant sur l'étiquette énergétique. https://eprel.ec.europa.eu/ |
| SUPPLIER'S NAME MODEL IDENTIFIER → (*)   | |




Table des matières


| | | |
|-----------|---|-----------|
| 1 | Consignes de sécurité..... | 28 |
| 1.1 | Symboles de sécurité importants | 28 |
| 1.2 | Intention d'utilisation..... | 28 |
| 1.3 | Sécurité des enfants, des personnes vulnérables et des animaux domestiques..... | 29 |
| 1.4 | Sécurité électrique..... | 29 |
| 1.5 | Sécurité de manipulation | 30 |
| 1.6 | Sûreté des installations | 31 |
| 1.7 | Sécurité de fonctionnement | 34 |
| 1.8 | Sécurité du stockage des aliments | 37 |
| 1.9 | Sécurité relative à l'entretien et au nettoyage | 38 |
| 1.10 | Éclairage | 39 |
| 1.11 | Mise au rebut de l'ancien produit . | 39 |
| 2 | Instructions environnementales | 40 |
| 2.1 | Conformité avec la directive DEEE et élimination des déchets.. | 40 |
| 3 | Votre réfrigérateur | 41 |
| 4 | Installation..... | 41 |
| 4.1 | Emplacement pour l'installation... | 41 |
| 4.2 | Fixation des cales en plastique | 42 |
| 4.3 | Réglages des pieds avant..... | 42 |
| 4.4 | Attention aux surfaces chaudes... | 42 |
| 5 | Préparation | 42 |
| 5.1 | Moyens d'économiser l'énergie.... | 42 |
| 5.2 | Première utilisation | 43 |
| 5.3 | Classe climatique et définitions ... | 43 |
| 6 | Changement de direction de la porte | 43 |
| 7 | Fonctionnement de l'appareil | 44 |
| 8 | Utilisation de votre appareil..... | 44 |
| 8.1 | Réglage de la température de fonctionnement | 44 |
| 8.2 | Remplacement de la lampe d'éclairage..... | 46 |
| 9 | Entretien et nettoyage..... | 46 |
| 10 | Dépannage..... | 47 |


1 Consignes de sécurité

- Cette section contient les instructions de sécurité nécessaires à la prévention des risques de dommage corporel ou de dommage matériel.
- Notre entreprise ne peut être tenue pour responsable des dommages qui peuvent se produire si ces instructions ne sont pas respectées.
- Confiez toujours les travaux d'installation et de réparation au fabricant, à un service après-vente agréé ou à une personne décrite par l'importateur.
- Utilisez uniquement des pièces de rechange et des accessoires d'origine.
- Évitez de réparer ou de remplacer tout composant de l'appareil sauf si cela est clairement spécifié dans le manuel d'utilisation.
- Il ne faut pas effectuer de modifications sur l'appareil.

1.1 Symboles de sécurité importants

-  Risque d'électrocution !
-  Lisez le manuel d'utilisation.
-  Danger pouvant entraîner des brûlures en cas de contact avec des surfaces chaudes.

 Matériau combustible, mise en garde contre le risque d'incendie.

 Risque de blessure en cas de contact avec des surfaces tranchantes !

 Risque de rayonnement UV-C

1.2 Intention d'utilisation

- Ce produit n'est pas destiné à un usage commercial et ne doit pas être utilisé à d'autres fins que celles pour lesquelles il a été conçu.
- Cet appareil est prévu pour un usage à l'intérieur, notamment les ménages ou autres.

Par exemple ;
cuisines du personnel des magasins, bureaux et autres environnements professionnels, les maisons de campagne, unités des hôtels, motels ou autres installations de repos utilisées par les clients, hôtels ou environnements similaires, services de restauration et les espaces semblables de vente en gros.

- Ce produit ne doit pas être utilisé dans des espaces extérieurs ouverts ou fermés tels

que des bateaux, des camping-cars, des balcons ou des terrasses. L'exposition de l'appareil à la pluie, à la neige, au soleil et au vent présente un risque d'incendie.

1.3 Sécurité des enfants, des personnes vulnérables et des animaux domestiques



- Cet appareil peut être utilisé par des enfants âgés d'au moins 8 ans, ainsi que par des personnes avec des capacités physiques, sensorielles ou mentales réduites ou sans expérience et connaissances, si elles sont supervisées ou ont été formées à l'utilisation sécurisée de l'appareil et comprennent les risques relatifs.
- Les enfants de 3 à 8 ans sont autorisés à charger et décharger le produit.
- Les enfants et les animaux domestiques ne doivent pas jouer avec le produit, ni grimper dessus, ni y entrer.
- Les enfants et les animaux domestiques doivent être tenus à l'écart de la zone d'alimentation électrique (compresseur).

- Le nettoyage et l'entretien du produit ne doivent pas être effectués par des enfants, sauf s'il y a une personne qui les surveille.
- Tenez les emballages hors de la portée des enfants. Risque de blessure et d'asphyxie .
- Si une serrure est disponible sur la porte de l'appareil, gardez la clé hors de la portée des enfants.



1.4 Sécurité électrique

- Il ne faut pas brancher le produit dans la prise de courant pendant les opérations d'installation, d'entretien, de nettoyage, de réparation et de transport.
- Si le câble d'alimentation est endommagé, il doit être remplacé par la personne envoyée par le fabricant, le prestataire de services agréé ou l'importateur afin d'éviter tout danger potentiel.
- Ne placez pas le câble d'alimentation sous l'appareil ou à l'arrière de celui-ci. Ne placez aucun objet lourd sur le câble d'alimentation. Le câble d'alimentation ne doit pas être plié, écrasé et entrer en contact avec une source de chaleur.

- Utilisez uniquement un câble d'origine. N'utilisez pas de câbles coupés ou endommagés.
- N'utilisez pas de rallonge, de prise multiple ou d'adaptateur pour faire fonctionner votre appareil.
- Les prises multiples mobiles ou les blocs d'alimentation portatifs peuvent surchauffer et causer un incendie. Par conséquent, ne placez pas de multiprises ou de sources d'alimentation portables derrière ou à proximité de l'appareil.
- Avant de brancher le produit sur la source d'alimentation, veuillez retirer le câble d'alimentation du crochet du condenseur (le cas échéant) pendant l'installation.
- L'utilisateur ne doit pas pouvoir atteindre les parties électriques après l'installation.
- Ne branchez pas le cordon d'alimentation du produit dans une prise de courant mal fixée ou endommagée. Ces types de connexions peuvent surchauffer et provoquer un incendie..
- La prise doit être facilement accessible. Si cela n'est pas possible, l'installation électrique doit être dotée d'un mécanisme conforme à la réglementation en matière d'électricité et qui déconnecte toutes les bornes du réseau (fusible, interrupteur, commutateur principal, etc.).
- Le produit ne doit pas être utilisé avec un dispositif de commutation externe tel qu'une minuterie ou un système télécommandé.
- N'utilisez pas l'appareil lorsque vous avez les pieds nus ou le corps mouillé.
- Évitez de toucher le cordon d'alimentation avec des mains humides.
- Lorsque vous débranchez l'appareil, ne tenez pas le cordon d'alimentation, mais la prise.
- Assurez-vous que la prise n'est pas mouillée, sale ou poussiéreuse.
- Ne branchez jamais votre réfrigérateur sur des dispositifs d'économie d'énergie. Ces systèmes sont nocifs pour l'appareil.



1.5 Sécurité de manipulation

- Assurez-vous de débrancher l'appareil avant de le transporter.
- Cet appareil est lourd, ne le manipulez pas seul. Vous risquez de vous blesser si le produit tombe sur vous. Ne heur-

tez pas l'appareil et ne le faites pas tomber pendant son transport.

- Fermez toujours les portes et ne tenez pas l'appareil par ses portes lorsque vous le transportez.
- Veillez à ne pas endommager le système de refroidissement et les tuyaux lorsque vous manipulez l'appareil. Évitez de faire fonctionner l'appareil si les tuyaux sont endommagés et contactez un service agréé.

1.6 Sûreté des installations

- Pour préparer l'appareil à l'utilisation, lisez attentivement les instructions du manuel d'utilisation et assurez-vous que les équipements électriques et d'approvisionnement d'eau sont installés convenablement. Si ce n'est pas le cas, appelez un électricien et un plombier qualifiés pour faire le nécessaire.
- **Le non-respect de cette consigne peut entraîner un choc électrique, un incendie, des problèmes avec le produit ou des blessures.**
- Avant de commencer l'installation, coupez le fusible pour mettre hors tension la ligne électrique à laquelle le produit est connecté.
- Le produit doit être installé par deux personnes ou plus. Utilisez des gants de protection pour retirer le produit de son emballage et l'installer.
- Le produit est conçu pour être utilisé à une altitude maximum de 2000m au-dessus du niveau de la mer.
- Tenez les enfants à l'écart de la zone d'installation.
- Vérifiez que l'appareil n'est pas endommagé avant de l'installer. N'installez pas l'appareil lorsqu'il est endommagé.
- Utilisez toujours un équipement de protection individuelle (gants, etc.) pendant l'installation, l'entretien et la réparation du produit. Risque de blessure.
- N'installez pas et ne laissez pas le produit dans des endroits où il pourrait être exposé à des températures ambiantes extrêmes.
- Placez le produit sur une surface propre, plane et dure et équilibrez-le à l'aide des pieds réglables (en tournant les pieds avant vers la droite ou la

gauche). Sinon, le réfrigérateur risque de se renverser et provoquer des blessures.

- Procédez avec précaution pour éviter d'endommager les sols (carrelage, etc.) lorsque vous déplacez le produit. Installez le produit sur un sol ou fournissez un support suffisant en fonction de la taille, du poids et de l'utilisation du produit. Assurez-vous que le produit n'est pas à proximité d'une source de chaleur et que ses quatre pieds sont stables et en contact avec le sol. Installez le produit selon les besoins et assurez-vous qu'il est horizontal, en utilisant un niveau à bulle. Pour garantir l'efficacité complète du circuit de réfrigération, attendez au moins deux heures avant de faire fonctionner le produit.
- Installez l'appareil dans un endroit sec et ventilé. Ne laissez pas de tapis, de moquettes ou d'autres revêtements similaires sous l'appareil. Ils peuvent entraîner un risque d'incendie en raison d'une ventilation inadéquate !
- N'obstruez pas ou ne couvrez pas les orifices de ventilation. Sinon, la consommation d'énergie risque d'augmenter et votre produit pourrait être endommagé.
- Laissez suffisamment d'espace sur les côtés et au-dessus pour assurer une ventilation adéquate. L'espace entre le panneau arrière et le mur derrière le produit doit être d'au moins 50 mm afin d'éviter les surfaces chaudes. Réduire cette distance peut augmenter la consommation d'énergie du produit.
- Lorsque vous installez le produit, veillez à ce que le câble d'alimentation ne soit pas endommagé ou pincé.
- Le produit ne doit pas être connecté à des systèmes d'alimentation et à des sources d'énergie susceptibles de provoquer des variations soudaines de tension (par exemple, une source d'énergie solaire portable). Autrement, votre appareil pourrait être endommagé par les fluctuations brusques de la tension !
- Plus un réfrigérateur contient de fluide réfrigérant, plus la pièce d'installation doit être grande. Dans les très petites pièces, un mélange gaz-air inflammable peut se produire en cas de fuite de gaz dans le circuit frigorifique. Au moins 1 m³

de volume est requis pour chaque 8 grammes de réfrigérant. La quantité de fluide réfrigérant disponible dans votre appareil est indiquée sur la plaque signalétique.

- Le produit ne doit jamais être placé de manière à ce que les câbles électriques, les tuyaux d'alimentation métalliques souples ou rigides pour l'alimentation en eau ou en gaz du domicile...)
- Le lieu d'installation du produit ne doit pas être exposé à la lumière directe du soleil et ne doit pas se trouver à proximité d'une source de chaleur telle qu'un poêle, un radiateur, etc. Si vous ne pouvez pas empêcher l'installation du produit à proximité d'une source de chaleur, utilisez une plaque isolante appropriée et assurez-vous que la distance minimale par rapport à la source de chaleur est conforme aux spécifications ci-dessous.
 - À au moins 30 cm des sources de chaleur telles que les cuisinières, les fours, les appareils de chauffage, etc.
 - Et à au moins 5 cm des fours électriques.
- Votre produit a la classe de protection I.
- Branchez le produit dans une prise avec mise à la terre conforme aux valeurs de tension, de courant et de fréquence indiquées sur la plaque signalétique. La prise de courant doit être équipée d'un fusible de 10 à 16A. Notre entreprise ne sera pas tenue responsable de tout dommage résultant de l'utilisation de l'appareil sans prise de mise à la terre et sans branchement électrique conforme aux normes locales et nationales en vigueur.
- Débranchez le câble d'alimentation du réfrigérateur pendant l'installation. Dans le cas contraire, vous risquez de vous électrocuter et de vous blesser !
- Ne branchez pas l'appareil sur des prises desserrées, cassées, sales, graisseuses ou qui sont sorties de leur logement ou sur des prises présentant un risque de contact avec l'eau. Ces types de connexions peuvent surchauffer et provoquer un incendie..
- Placez le câble d'alimentation et les flexibles (si disponibles) de l'appareil de sorte qu'ils ne puissent pas provoquer de risque de trébuchement.

- La pénétration de l'humidité et de liquide sur les pièces sous tension ou sur le cordon d'alimentation peut provoquer un court-circuit. Par conséquent, n'utilisez pas l'appareil dans des environnements humides ou dans des zones où l'eau peut éclabousser (p. ex., garage, buanderie, etc.). Si le réfrigérateur est mouillé par l'eau, débranchez-le et communiquez avec un service autorisé.
- Ne branchez jamais votre réfrigérateur sur des dispositifs d'économie d'énergie. Ces systèmes sont nocifs pour l'appareil.
- En retirant le couvercle de la carte électronique et le couvercle arrière du compresseur (si présent), vous risquez d'entrer en contact avec des pièces électriques. Ne retirez pas le couvercle de la carte électronique et le couvercle arrière du compresseur (si présent). Il existe un risque d'électrocution !
- En cas de défaillance du produit, débranchez-le (ou mettez hors tension le fusible auquel il est connecté) et ne l'utilisez pas jusqu'à ce qu'il soit réparé par le service agréé. Il existe un risque d'électrocution !
- Ne placez pas de flammes (bougie allumée, cigarette, etc.) ou de sources de chaleur (fer à repasser, plaque de cuisson, four, etc.) sur ou à proximité de l'appareil. Ne placez pas de matériaux inflammables/explosifs à proximité de l'appareil...
- Ne montez pas sur l'appareil. Risque de chute et de blessure !
- N'endommagez pas les tuyaux du circuit frigorifique avec des outils tranchants et perforants. Le fluide réfrigérant qui s'échappe en cas de fuite sur le circuit, par extension toutes les pièces du circuit frigorifique, peut provoquer une irritation de la peau et des lésions oculaires.
- N'intervenez pas et n'endommagez pas le circuit de refroidissement. Risque d'explosion.
- Ne placez pas et n'utilisez pas d'appareils électriques à l'intérieur du réfrigérateur/congélateur, sauf avis contraire du fabricant.



1.7 Sécurité de fonctionnement

- N'utilisez jamais de solvants chimiques sur le réfrigérateur. Ces matériaux présentent un risque d'explosion.

- N'utilisez pas d'autres procédures que celles recommandées par le fabricant pour accélérer le dégivrage.
- Veillez à ce qu'aucune partie de vos mains ou de votre corps ne soit en contact avec les pièces mobiles à l'intérieur de l'appareil. Faites attention à ne pas coincer vos doigts entre le réfrigérateur et sa porte. Soyez prudent lorsque vous ouvrez ou fermez la porte en présence des enfants.
- Ne mettez pas de crème glacée, de glaçons ou d'aliments congelés dans votre bouche immédiatement après les avoir sortis du congélateur. Risque de gelure !
- Ne touchez pas les parois intérieures, les parties métalliques du congélateur ou les aliments conservés dans le congélateur avec les mains mouillées. Risque de gelure !
- Ne placez pas de canettes de soda ou de bouteilles contenant des liquides pouvant être congelés dans le compartiment congélateur. Les canettes ou les bouteilles peuvent exploser. Risque de blessures et de dommages matériels !
- N'utilisez pas ou ne placez pas de matériaux sensibles à la température tels que des aérosols inflammables, des objets inflammables, de la neige carbonique ou d'autres agents chimiques à proximité du réfrigérateur. Risque d'incendie ou d'explosion !
- Ne stockez pas de matières explosives telles que des aérosols contenant des matériaux inflammables à l'intérieur de l'appareil.
- Ne placez pas de boîtes contenant des liquides sur l'appareil lorsqu'il est ouvert. Les éclaboussures d'eau sur une pièce électrique peuvent provoquer un choc électrique ou un incendie.
- En raison du risque de rupture, ne stockez pas de récipients en verre contenant du liquide dans le compartiment congélateur.
- Cet appareil n'est pas destiné au stockage et au refroidissement de médicaments, de plasma sanguin, de préparations de laboratoire ou de matériaux et produits similaires qui sont soumis à la directive sur les produits médicaux.

- Si l'appareil est utilisé à d'autres fins que celles pour lesquelles il a été conçu, il peut endommager ou détériorer les produits qu'il contient.
- Si votre réfrigérateur est équipé d'un voyant lumineux bleu, ne contemplez pas le voyant lumineux avec des instruments optiques. Ne fixez pas directement la lumière LED à UV pendant une longue période, car les rayons ultraviolets peuvent entraîner la fatigue oculaire.
- Ne remplissez pas l'appareil de contenu dépassant sa capacité. N'utilisez pas d'autres procédures que celles recommandées par le fabricant pour accélérer le dégivrage. Des blessures ou des dégâts peuvent survenir au cas où le contenu du réfrigérateur tombe lorsque la porte est ouverte. Des problèmes similaires peuvent survenir lorsqu'un objet est placé sur l'appareil.
- Pour éviter tout risque de blessures, **assurez-vous** que vous avez retiré toute la glace ou toute l'eau qui auraient pu se verser au sol.
- Changez l'emplacement des balconnets/porte-bouteilles sur la porte de votre réfrigérateur uniquement lorsqu'ils sont vides. Risque de blessures !
- Ne placez aucun objet qui pourrait tomber ou basculer sur l'appareil. Ces objets peuvent tomber lors de l'ouverture ou de la fermeture de la porte, et causer des blessures et/ou des dégâts matériels.
- Ne frappez ni n'exercez aucune pression excessive sur les surfaces en verre. Le verre brisé peut causer des blessures et/ou des dégâts matériels.
- Pour les produits conçus pour utiliser un filtre à air à l'intérieur d'un couvercle de ventilateur accessible, le filtre doit toujours être en place lorsque le réfrigérateur fonctionne.
- N'obstruez pas le ventilateur (s'il existe) avec de la nourriture.
- Les joints endommagés doivent être remplacés dès que possible.
- Votre produit peut comporter des compartiments spéciaux (compartiment pour les aliments frais, compartiment pour les aliments à zéro degré, etc.) Sauf indication contraire dans le manuel du produit, ces compartiments peuvent être retirés et le produit peut être utilisé avec les mêmes performances.

- Le système de refroidissement de votre appareil contient du réfrigérant R600a. Le type de réfrigérant utilisé dans l'appareil est indiqué sur la plaque signalétique. Ce gaz est inflammable. Par conséquent, veillez à ne pas endommager le système de refroidissement et les tuyaux pendant l'utilisation de l'appareil. Si les tuyaux sont endommagés :
 1. Ne touchez pas l'appareil ni le câble d'alimentation,
 2. Maintenez l'appareil éloigné des sources potentielles d'incendie qui pourraient causer l'incendie de l'appareil,
 3. Aérez la zone où l'appareil est placé, N'utilisez pas de ventilateur,
 4. Contactez un centre de service agréé.
- 5. Stockez l'appareil de façon à éviter qu'il se renverse.
- 6. Ne laissez pas les enfants jouer avec un appareil usagé.
- 7. Si l'appareil est endommagé et que vous observez une fuite de gaz, éloignez-vous du gaz. Le gaz peut causer des gelures lorsqu'il entre en contact avec votre peau.
- Ne jetez pas l'appareil en le mettant au feu. Risque d'explosion.
- Si une serrure est disponible sur la porte de l'appareil, gardez la clé hors de la portée des enfants.



1.8 Sécurité du stockage des aliments

Veillez prêter attention aux avertissements suivants afin d'éviter la détérioration des aliments :

- Laisser les portes ouvertes pendant une longue période peut entraîner une augmentation de la température à l'intérieur du produit.
 - Nettoyez régulièrement les systèmes de drainage accessibles en contact avec les aliments.
 - Nettoyez les réservoirs d'eau qui n'ont pas été utilisés pendant 48 heures et les systèmes
- Avant de vous débarrasser des appareils usagés qui ne doivent plus être utilisés :
1. Débranchez le cordon d'alimentation de la prise de courant.
 2. Coupez le cordon d'alimentation et retirez-le de l'appareil avec la prise.
 3. Ne retirez pas les étagères et les tiroirs de l'appareil pour empêcher les enfants d'y pénétrer.
 4. Démontage des portes.

d'alimentation en eau qui n'ont pas été utilisés pendant plus de 5 jours.

- Conservez les produits de viande et de poisson crus dans des compartiments appropriés à l'intérieur de l'appareil. Ainsi, ils ne coulent pas sur les autres aliments et n'entre pas en contact avec eux.
- Les compartiments de congélation à deux étoiles permettent de conserver les aliments pré-cuisinés, de préparer et de conserver la glace et la crème glacée.
- Les compartiments à une, deux et trois étoiles ne conviennent pas à la congélation des aliments frais.
- Si l'appareil est resté vide pendant une longue période, éteignez le produit, dégivrez, nettoyez et séchez le produit afin de protéger la cavité de l'appareil.
- Après le chargement en denrées, vérifiez que les bacs des compartiments, et en particulier la porte du congélateur, sont correctement fermées.
- Utilisez le compartiment réfrigérateur pour conserver les aliments frais et le compartiment congélateur pour conserver les

produits surgelés, congeler les aliments frais et préparer des glaçons.

- Ne conservez pas d'aliments sans les emballer correctement dans les compartiments réfrigérateur et congélateur, afin d'éviter tout contact direct avec les surfaces internes.
- Débranchez le réfrigérateur ou mettez le circuit hors tension par le disjoncteur / sectionneur du circuit électrique avant de le nettoyer ou d'effectuer des travaux d'entretien.

1.9 Sécurité relative à l'entretien et au nettoyage

- Débranchez le réfrigérateur ou mettez le fusible hors tension avant de le nettoyer ou d'effectuer des travaux d'entretien.
- Ne tirez pas sur la porte ou la poignée de la porte si vous devez déplacer le produit pour le nettoyer. La porte peut provoquer des blessures si vous tirez trop fort sur la poignée.
- Ne placez pas vos mains, vos pieds ou des objets métalliques sous ou derrière votre produit. Il peut se coincer ou des bords tranchants peuvent provoquer des blessures.

- Ne lavez pas l'intérieur ou l'extérieur du produit avec un nettoyeur haute pression, de la vapeur, de l'eau pulvérisée ou de l'eau versée. Risque de choc électrique et d'incendie.
- Lors du nettoyage de l'appareil, n'utilisez pas d'outils tranchants et abrasifs ni de produits de nettoyage ménagers, de détergents, d'essence, de diluant, d'alcool, de vernis et de substances similaires. Utilisez des produits de nettoyage et d'entretien qui ne sont pas nocifs pour les aliments uniquement à l'intérieur de l'appareil.
- N'utilisez pas d'essuie-tout, d'éponges de cuisine ou d'autres produits de nettoyage durs.
- N'utilisez jamais de vapeur ou de matériel de nettoyage à vapeur pour nettoyer l'appareil et faire fondre la glace qui s'y trouve. Lorsque la vapeur entre en contact avec les zones sensibles de votre réfrigérateur, elle peut provoquer un court-circuit ou un choc électrique.
- Il ne faut pas utiliser d'outils mécaniques ou autres que les recommandations du fabricant pour accélérer l'opération de décongélation.
- Veillez à ce que l'eau ne s'approche pas des ouvertures de ventilation, des circuits électroniques ou de l'éclairage de l'appareil. Ceci, pour éviter tout risque d'incendie ou de choc électrique.
- Utilisez un torchon propre et sec pour essuyer la poussière ou les corps étrangers sur les extrémités de la prise électrique. N'utilisez pas de torchon humide ou mouillé pour nettoyer la prise électrique. Afin d'éviter tout risque d'incendie ou de choc électrique.

1.10 Éclairage

Contactez un centre de service agréé lorsque vous voulez remplacer la LED / l'ampoule utilisée pour l'éclairage.

1.11 Mise au rebut de l'ancien produit

Lorsque vous mettez votre ancien produit au rebut, suivez les instructions ci-dessous :

- Pour éviter que les enfants ne s'enferment accidentellement dans le produit, désactivez le verrou de porte s'il en existe un.
- Les projections de liquide de frigorigène sont dangereuses pour les yeux. N'endommagez

aucune partie du système de refroidissement lorsque vous mettez le produit au rebut.

- L'ingestion de l'huile du compresseur ou sa pénétration dans les voies respiratoires peut être fatale.
- Le système de refroidissement de votre produit comprend du gaz R600a comme spécifié sur

la plaque signalétique. Ce gaz est inflammable. Ne jetez pas l'appareil en le mettant au feu. Risque d'explosion !

- Le « C-pentane » est utilisé comme agent gonflant dans les mousses d'isolation et c'est une substance inflammable. Ne jetez pas l'appareil en le mettant au feu.

2 Instructions environnementales

2.1 Conformité avec la directive DEEE et élimination des déchets



Cet appareil est conforme à la directive DEEE de l'Union européenne (2012/19/UE). Cet appareil porte un symbole de classification pour les déchets d'équipements électriques et

électroniques (DEEE).

Ce symbole indique que cet appareil ne doit pas être mis au rebut avec les ordures ménagères à la fin de sa durée de vie. Les appareils usagés doivent être retournés au point de collecte officiel pour le recyclage des dispositifs électriques et électroniques. Pour trouver ces systèmes de collecte, veuillez contacter les autorités locales ou le détaillant à l'endroit où l'appareil a été acheté. Chaque ménage joue un rôle important dans la récupération et le recyclage des vieux appareils ménagers. La mise au rebut appropriée des appareils usagés permet de prévenir les conséquences négatives potentielles pour l'environnement et la santé humaine.

Conformité à la directive RoHS

Votre appareil est conforme à la directive RoHS de l'Union européenne (2011/65/UE). Il ne comporte pas de matériaux dangereux et interdits mentionnés dans la directive.



Informations sur l'emballage

Les matériaux d'emballage de l'appareil sont fabriqués à partir de matériaux recyclables conformément à notre Règlement national sur l'environnement. Ne mettez pas les matériaux d'emballage au rebut avec les ordures ménagères et d'autres déchets. Apportez-les aux points de collecte des matériaux d'emballage désignés par les autorités locales.

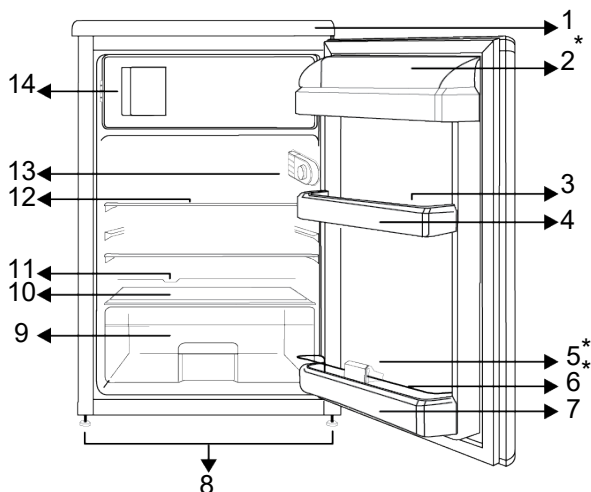


Conformité aux normes et informations sur les essais / Déclaration de conformité CE

Les étapes de développement, de fabrication et de vente de ce produit sont conformes aux règles de sécurité de toutes les directives pertinentes de la Communauté européenne. 2014/35/EU, 2014/30/EU, 93/68/EC, IEC 60436/DIN 44990, EN 50242

3 Votre réfrigérateur

FR



- | | | | |
|----|--|-----|---|
| 1 | Plateau supérieur fixe | 2 * | Compartiment pour le beurre et le fromage |
| 3 | Porte-œufs | 4 | Balconnet |
| 5 | Porte-bouteilles | 6 * | Visière de sécurité |
| 7 | Étagère pour les bouteilles | 8 | Pieds réglables |
| 9 | Bac à légumes | 10 | Couvercle de récipient et verre |
| 11 | Canal de collecte des eaux de dégivrage - Drainage | 12 | Support en verre |
| 13 | Bouton de thermostat | 14 | Compartiment de congélation |

***En option** : Les illustrations présentées dans ce manuel d'utilisation sont schématisées et peuvent ne pas correspondre

exactement à votre produit. Si votre appareil ne présente pas les parties citées, alors l'information s'applique à d'autres modèles.

4 Installation

Lisez d'abord les « Consignes de sécurité » !

4.1 Emplacement pour l'installation

Contactez le service agréé pour l'installation de votre réfrigérateur. Pour préparer l'installation du réfrigérateur, lisez attentivement les instructions du manuel d'utilisation et assurez-vous que les alimentations électriques et les alimentations en eau sont

installées dans les normes en vigueur. Si ce n'est pas le cas, faites appel à un électricien ou un plombier professionnel.

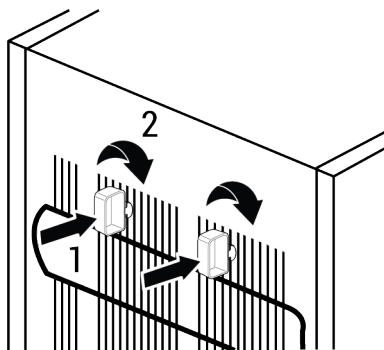
- Placez l'appareil sur une surface plane pour éviter les vibrations
- Placez le produit à 30 cm du chauffage, de la cuisinière et des autres sources de chaleur similaires et à au moins 5 cm des fours électriques.
- Lorsque deux réfrigérateurs sont installés côte à côte, laissez au moins 4 cm de distance entre les deux appareils

- Conservez l'appareil à l'abri de la lumière directe du soleil et dans un endroit sec.
- Votre appareil nécessite une circulation d'air adéquate pour pouvoir fonctionner efficacement. Si vous placez l'appareil dans une alcôve, n'oubliez pas de laisser un espace d'au moins 5 cm entre l'appareil, le plafond, la paroi arrière et les parois latérales.
- Vérifiez la présence et le bon positionnement de l'intercalaire entre l'arrière du réfrigérateur et le mur (au cas où il est fourni avec l'appareil).
- Si l'élément n'est pas disponible, perdu ou tombé, positionnez l'appareil de manière à laisser un espace d'au moins 5 cm entre l'arrière de l'appareil et les murs de la pièce. L'espace prévu à l'arrière est important pour le bon fonctionnement de l'appareil.

4.2 Fixation des cales en plastique

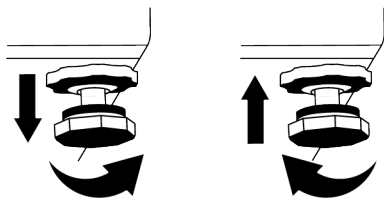
Utilisez les cales en plastiques fournies avec le réfrigérateur pour maintenir une circulation d'air suffisante entre le réfrigérateur et le mur. Montez 2 pièces de cales en plastique comme indiqué sur l'illustration suivante.

(L'image présentée est dessinée de manière représentative, elle ne correspond pas tout à fait à votre produit).



4.3 Réglages des pieds avant

Si l'appareil n'est pas équilibré, réglez les pieds avant en les tournant vers la gauche ou la droite.



4.4 Attention aux surfaces chaudes

Les condenseurs du circuit réfrigérant, nécessaire à l'évacuation de la chaleur récupérée dans la cavité du produit via le fluide frigorigène en haute pression, sont placés sur les parois latérales du produit. Ce phénomène normal implique que les parois peuvent devenir très chaudes. Attention au dégagement de chaleur (contact avec la paroi). Aucun entretien n'est nécessaire sur ces parois.

5 Préparation

Lisez d'abord les « Consignes de sécurité » !

5.1 Moyens d'économiser l'énergie

- Cet appareil de réfrigération n'est pas conçu pour être utilisé comme un appareil encastré.
- Lorsque vous chargez les aliments, laissez suffisamment d'espace à l'intérieur du réfrigérateur pour permettre une circulation d'air suffisante pour le refroidissement.
- Lorsque les portes restent fermées, aucun air chaud ou humide n'entre dans la cavité. Votre produit optimise alors son fonctionnement, (en alimentant le compresseur, le ventilateur, les résistances de dégivrage, l'éclairage, l'afficheur, etc), afin d'assurer la meilleure conservation des aliments tout en minimisant la consommation d'énergie.
- Selon le chargement du produit, les clayettes en verre doivent être disposées de façon à ne pas obstruer les sorties

d'air de la paroi arrière, et de préférence de manière à ce que celles-ci diffusent l'air froid sous l'étagère en verre. Cette combinaison peut contribuer à améliorer la distribution de l'air et l'efficacité énergétique.

- Conservez les aliments dans le réfrigérateur ou le Compartiment pour denrées hautement périssables selon les conditions de stockage appropriées afin d'économiser de l'énergie.

5.2 Première utilisation

Avant d'utiliser votre appareil, assurez-vous que les installations nécessaires sont conformes aux instructions des sections « Consignes de sécurité » et « Installation ».

- Attendez au moins 2 heures avant de faire fonctionner le produit, afin d'assurer la pleine efficacité de la réfrigération.
- Laissez l'appareil fonctionner à vide pendant 6 heures, et la porte de l'appareil doit être maintenue fermée autant que possible.
- Le changement de température causé par l'ouverture et la fermeture de la porte pendant l'utilisation du produit peut normalement entraîner la formation de condensation sur les tablettes de la porte/du corps et sur les verres placés dans l'appareil.
- Un son retentit à l'activation du compresseur. Il est normal que l'appareil fasse du bruit même si le compresseur ne fonctionne pas, car du fluide et du gaz peuvent être comprimés dans le système de refroidissement.

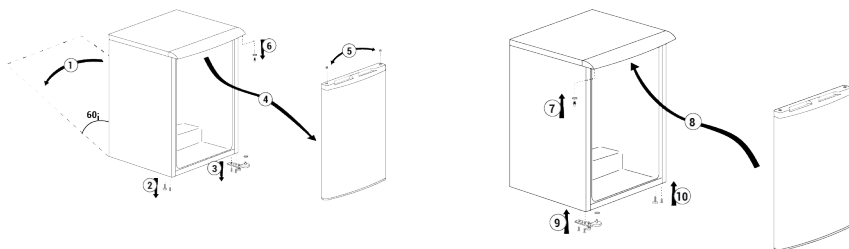
- Il est normal que les bords avant de l'appareil soient chauds. Ces parties doivent en principe être chaudes afin d'éviter la condensation
- Pour certains modèles, le panneau indicateur s'éteint automatiquement 1 minute après la fermeture des portes. Il s'active à nouveau à l'ouverture de la porte ou lorsque vous appuyez sur n'importe quelle touche.

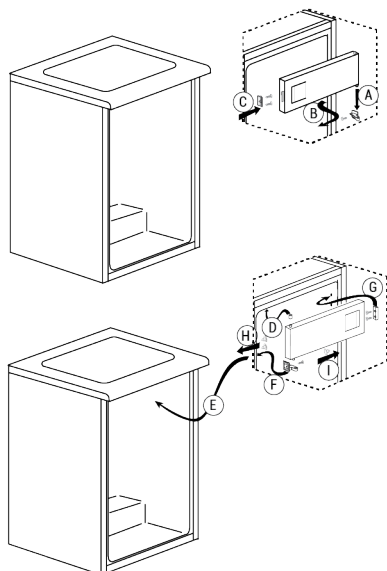
5.3 Classe climatique et définitions

Veillez vous référer à la classe climatique figurant sur la plaque signalétique de votre appareil. L'une des informations suivantes s'applique à votre appareil selon la classe climatique.

- **SN** : Climat tempéré , température élargie : Ce dispositif de refroidissement est conçu pour être utilisé à une température ambiante comprise entre 10 °C et 32 °C.
- **N** : Climat tempéré : Ce dispositif de refroidissement est conçu pour être utilisé à une température ambiante comprise entre 16°C et 32 °C.
- **ST** : Climat subtropical : Ce dispositif de refroidissement est conçu pour être utilisé à une température ambiante comprise entre 16°C et 38°C.
- **T** : Climat tropical : Ce dispositif de refroidissement est conçu pour être utilisé à une température ambiante comprise entre 16°C et 43°C.

6 Changement de direction de la porte





7 Fonctionnement de l'appareil

Lisez d'abord les « consignes de sécurité » !

- Ce produit ne doit être utilisé que pour la conservation des aliments.
- Si vous vous absentez de votre domicile pendant une période prolongée (par exemple, en vacances) et que vous n'utilisez pas la machine à glaçons ni le distributeur d'eau, fermez le robinet d'arrivée d'eau. Sinon, une fuite d'eau pourrait se produire.
- De légères variations de brillance peuvent être observées sur les surfaces en acier inoxydable en raison du proces-

sus de fabrication et des caractéristiques intrinsèques du matériau. Ceci est normal et n'affecte pas les performances du produit.

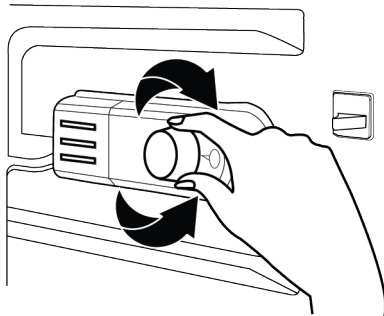
Arrêt du produit

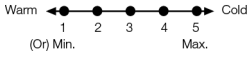
- Retirez les aliments pour éviter les odeurs.
- Attendez que la glace fonde, nettoyez l'intérieur et laissez-le sécher en laissant les portes ouvertes pour éviter d'endommager les plastiques intérieurs.

8 Utilisation de votre appareil

8.1 Réglage de la température de fonctionnement

La température de fonctionnement est réglée par le contrôle de la température.





1 = Réglage de refroidissement le plus bas (réglage le plus chaud)

5 = Réglage de refroidissement le plus élevé (réglage le plus froid)

ou

Min. = Réglage de refroidissement le plus bas

(Réglage le plus chaud)

Max. = Réglage de refroidissement le plus élevé

(Réglage le plus froid)

La température moyenne à l'intérieur du compartiment réfrigérant doit être d'environ +5°C.

Veillez sélectionner un réglage en fonction de la température souhaitée.

Veillez noter qu'il y aura des températures différentes dans la zone de refroidissement.

La zone la plus froide se trouve juste au-dessus du bac à légumes.

La température interne dépend également de la température ambiante, de la fréquence d'ouverture de la porte et de la quantité d'aliments stockés à l'intérieur.

L'ouverture fréquente de la porte entraîne une augmentation de la température interne.

Il est donc recommandé de fermer la porte dès que possible après utilisation.

Utilisation des compartiments intérieurs

Clayettes amovibles : La distance entre les clayettes peut être ajustée au besoin.

Tiroir à légumes : Dans ce compartiment, les légumes et les fruits peuvent être stockés longtemps sans se gâter.

Clayette pour les bouteilles : Des bouteilles, des pots et des canettes peuvent être placés sur ces clayettes.

Stockage d'aliments

Le compartiment réfrigérateur est destiné au stockage à court terme d'aliments et de boissons frais.

Stockez les produits laitiers dans le compartiment désigné du réfrigérateur.

Les bouteilles peuvent être stockées dans le porte-bouteille ou sur l'étagère à bouteilles dans la porte.

La viande crue est mieux conservée dans un sac en polyéthylène dans le compartiment le plus bas du réfrigérateur.

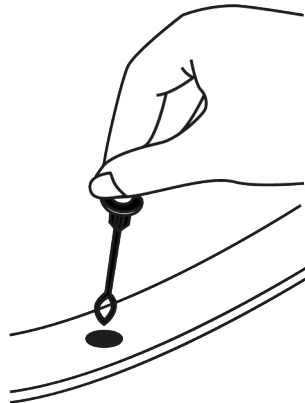
Laissez les aliments et les boissons chauds refroidir à température ambiante avant de les placer au réfrigérateur.

• Attention :

Stockez l'alcool concentré uniquement debout et bien fermé.

• Attention :

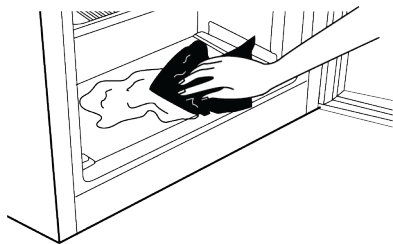
Ne stockez pas de substances explosives ou de récipients contenant des agents propulseurs inflammables (canettes, bombes aérosols, etc.) dans l'appareil. Risque d'explosion.



Dégivrage

Le dégivrage du compartiment réfrigérateur se fait automatiquement. L'eau décongelée s'écoule par le canal de drainage dans un récipient de collecte à l'arrière de l'appareil. Pendant le dégivrage, des gouttes d'eau se forment à l'arrière du réfrigérateur à cause de l'évaporateur.

Si les gouttes ne s'écoulent pas toutes vers le bas, elles risquent de geler à nouveau après le dégivrage. Nettoyez-les à l'aide d'un chiffon imbibé d'eau chaude, mais jamais avec un objet dur ou pointu.



8.2 Remplacement de la lampe d'éclairage

Appelez le service autorisé lorsque l'ampoule/LED utilisée pour l'éclairage de votre réfrigérateur doit être remplacée.

La ou les lampes utilisées dans cet appareil ne peuvent pas être utilisées pour l'éclairage de la maison. L'objectif de cette lampe est d'aider l'utilisateur à placer les aliments dans le réfrigérateur/congélateur de manière sûre et confortable.

9 Entretien et nettoyage

z d'abord les « Consignes de sécurité » !

- Débranchez votre appareil avant de le nettoyer.
- La poussière accumulée sur la grille d'aération située à l'arrière de l'appareil doit être enlevée (sans ouvrir le couvercle) au moins une fois par an. Le nettoyage doit être effectué avec un chiffon sec.
- Veillez à ne pas laisser d'eau pénétrer dans le boîtier de la lampe et les autres composants électriques.
- Nettoyez la porte avec un chiffon humide. Videz le véhicule pour retirer les étagères de porte et de carrosserie. Soulevez les étagères de porte pour les retirer. Après les avoir nettoyées et séchées, remettez-les en place en les faisant glisser de haut en bas.
- N'utilisez jamais d'eau chlorée ni de produits nettoyants chlorés pour nettoyer la surface extérieure du produit ou les pièces chromées. Le chlore provoque la rouille sur ces types de surfaces métalliques.
- Pour éviter que les impressions sur la partie en plastique ne se décollent ou ne se déforment, n'utilisez pas d'outils pointus ou abrasifs, de savon, de produits ménagers, de détergents, d'essence, de produits de polissage, etc. Pour le nettoyage, utilisez un chiffon doux imbibé d'eau tiède et séchez.
- Sur tous les produits, à l'exception des No-Frost, des gouttes d'eau ou une épaisseur jusqu'à un doigt de givre peut apparaître sur le mur de froid (à l'arrière du

- produit). Laissez l'appareil dégivrer seul sans aucune action mécanique ou chimique. Ne pas appliquer de produits gras ou de produits contenant un corps gras.
- Utilisez uniquement un chiffon en microfibre légèrement humide pour nettoyer la surface extérieure du produit. Les éponges et autres types de chiffons de nettoyage peuvent provoquer des rayures.
- Pour nettoyer les surfaces intérieures du produit, lavez toutes les pièces amovibles avec une solution douce de savon, d'eau et de bicarbonate de soude. Rincez abondamment et séchez complètement. Veillez à ce que l'eau ne pénètre pas dans les lampes ni dans le panneau de commande.
- N'utilisez pas de vinaigre, d'alcool à friction ou d'autres nettoyants à base d'alcool sur les surfaces intérieures.

Surfaces extérieures en acier inoxydable

Utilisez un nettoyant non abrasif pour acier inoxydable et appliquez-le avec un chiffon doux non pelucheux. Pour polir, essayez délicatement la surface avec un chiffon en microfibre légèrement humidifié et utilisez un tampon de polissage sec. Suivez toujours le sens du grain de l'acier inoxydable.

Prévenir les mauvaises odeurs

Aucune substance susceptible de provoquer des odeurs n'est utilisée dans la fabrication de votre produit. Cependant, des odeurs peuvent apparaître en cas de sto-

ckage inadéquat des aliments ou de nettoyage insuffisant de la surface intérieure du produit.

- Pour éviter ce problème, nettoyez avec de l'eau bicarbonatée tous les 15 jours.
- Conservez les aliments dans des récipients hermétiques, car les micro-organismes libérés par les aliments ouverts peuvent provoquer de mauvaises odeurs.

10 Dépannage

Lisez d'abord les « Consignes de sécurité » !

Vérifiez la liste suivante avant de contacter le service après-vente. Cela devrait vous éviter de perdre du temps et de l'argent. Cette liste répertorie les plaintes fréquentes ne provenant pas de vices de fabrication ou des défauts de pièces. Certaines fonctionnalités mentionnées dans ce manuel peuvent ne pas exister sur votre modèle. Si le problème persiste même après observation des instructions contenues dans cette partie, contactez votre fournisseur ou un service de maintenance agréé. N'essayez pas de réparer vous-même l'appareil.

Le réfrigérateur ne fonctionne pas.

- La fiche électrique n'est pas correctement insérée. >>> Branchez-la en l'enfonçant complètement dans la prise.
- Le fusible branché à la prise qui alimente l'appareil ou le fusible principal est grillé. >>> Vérifiez les fusibles.

Condensation sur la paroi latérale du congélateur (MULTI ZONE, COOL, CONTROL et FLEXI ZONE).

- La porte a été ouverte trop fréquemment >>> Évitez d'ouvrir trop fréquemment la porte de l'appareil.
- L'environnement est trop humide. >>> N'installez pas l'appareil dans des endroits humides.
- Les aliments contenant des liquides sont conservés dans des récipients non fermés. >>> Conservez ces aliments dans des emballages scellés.
- La porte de l'appareil est restée ouverte. >>> Ne laissez pas la porte de l'appareil ouverte longtemps.

- Ne stockez jamais d'aliments périmés ou avariés dans votre produit.

Protection des surfaces plastiques

En cas de déversement d'huile sur des surfaces en plastique, nettoyez-les immédiatement à l'eau chaude, car l'huile peut endommager la surface.

- Le thermostat est réglé sur une température très froide. >>> Réglez le thermostat à la température appropriée.

Le compresseur ne fonctionne pas.

- En cas de coupure soudaine de courant ou de débranchement intempestif, la pression du gaz dans le système de réfrigération de l'appareil n'est pas équilibrée, ce qui déclenche la fonction de conservation thermique du compresseur. L'appareil se remet en marche au bout de 6 minutes environ. Dans le cas contraire, veuillez contacter le service de maintenance.
- Le dégivrage est actif. >>> Ce processus est normal pour un appareil à dégivrage complètement automatique. Le dégivrage se déclenche périodiquement.
- L'appareil n'est pas branché. >>> Vérifiez que le cordon d'alimentation est branché.
- Le réglage de la température est incorrect. >>> Sélectionnez le réglage de température approprié.
- Absence d'énergie électrique. >>> L'appareil continuera à fonctionner normalement une fois le courant rétabli.

Le bruit du réfrigérateur en fonctionnement s'accroît pendant son utilisation.

- Le rendement de l'appareil en fonctionnement peut varier en fonction des fluctuations de la température ambiante. Ceci est normal et ne constitue pas un dysfonctionnement.

Le réfrigérateur fonctionne fréquemment ou pendant de longues périodes.

- Il se peut que le nouvel appareil soit plus grand que l'ancien. Les appareils plus grands fonctionnent plus longtemps.
- La température de la pièce est peut-être trop élevée. >>> Il est normal que l'appareil fonctionne plus longtemps quand la température de la pièce est élevée.
- L'appareil vient peut-être d'être branché ou chargé de nouvelles denrées alimentaires. >>> L'appareil met plus longtemps à atteindre la température réglée s'il vient d'être branché ou récemment rempli de denrées. C'est normal.
- Il est possible que des quantités importantes d'aliments chauds aient été récemment placées dans l'appareil. >>> Ne mettez pas d'aliments chauds à l'intérieur de l'appareil.
- Les portes étaient ouvertes fréquemment ou sont restées longtemps ouvertes. >>> L'air chaud qui se déplace à l'intérieur permet à l'appareil de fonctionner plus longtemps. N'ouvrez pas les portes trop fréquemment.
- Il est possible que la porte du congélateur soit entrouverte. >>> Vérifiez que les portes sont complètement fermées.
- L'appareil peut être réglé à une température trop basse. >>> Réglez la température à un degré supérieur et attendez que l'appareil atteigne la nouvelle température.
- Le joint de la porte du congélateur peut être sale, usé, cassé, ou mal positionné. >>> Nettoyez ou remplacez le joint d'étanchéité. Si le joint du congélateur est endommagé ou arraché, l'appareil prendra plus longtemps à conserver la température actuelle.

La température du congélateur est très basse, alors que celle du réfrigérateur est appropriée.

- La température du compartiment congélateur est très basse. >>> Réglez la température du compartiment congélateur à un degré supérieur et vérifiez à nouveau.

La température du réfrigérateur est très basse, alors que celle du congélateur est appropriée.

- La température du compartiment réfrigérateur est très basse. >>> Réglez la température du compartiment de refroidissement à un degré supérieur et vérifiez à nouveau.

Les aliments conservés dans le compartiment réfrigérateur sont congelés.

- La température du compartiment réfrigérateur est très basse. >>> Réglez la température du compartiment de refroidissement à un degré supérieur et vérifiez à nouveau.

La température du compartiment réfrigérateur ou congélateur est très élevée.

- La température du compartiment réfrigérateur est réglée à un degré très élevé. >>> Le réglage de la température du compartiment réfrigérateur a une incidence sur la température du compartiment congélateur. Patientez jusqu'à ce que la température du réfrigérateur et du congélateur atteignent le niveau d'efficacité requis en changeant la température des compartiments réfrigérateur ou congélateur.
- Les portes étaient ouvertes fréquemment ou sont restées longtemps ouvertes. >>> N'ouvrez pas les portes trop fréquemment.
- La porte peut être entrouverte. >>> Fermez complètement la porte.
- L'appareil vient peut-être d'être branché ou chargé de nouvelles denrées alimentaires. >>> Cela est normal. L'appareil met plus longtemps à atteindre la température réglée s'il vient d'être branché ou récemment rempli de denrées.
- Il est possible que des quantités importantes d'aliments chauds aient été récemment placées dans l'appareil. >>> Ne mettez pas d'aliments chauds à l'intérieur de l'appareil.

En cas de vibrations ou de bruits.

- La surface n'est pas plate ou durable >>> Si l'appareil n'est pas stable lorsque vous lui exercez une légère pression, ajustez les pieds afin de le stabiliser. Assurez-vous également que le sol est assez solide pour supporter l'appareil.
- Les éléments placés sur l'appareil peuvent être à l'origine du bruit. >>> Retirez tous les éléments placés sur l'appareil.
- L'appareil émet un bruit d'écoulement de liquide ou de pulvérisation, etc.
- Les principes de fonctionnement de l'appareil impliquent des écoulements de liquides et des émissions de gaz. >>> Ceci est normal et ne constitue pas un dysfonctionnement.

L'appareil émet un sifflement.

- L'appareil effectue le refroidissement à l'aide d'un ventilateur. Ceci est normal et ne constitue pas un dysfonctionnement.

Il y a de la condensation sur les parois internes de l'appareil.

- Un climat chaud ou humide accélère le processus de givrage et de condensation. Ceci est normal et ne constitue pas un dysfonctionnement.
- Les portes étaient ouvertes fréquemment ou sont restées longtemps ouvertes. >>> N'ouvrez pas les portes trop fréquemment ; fermez-les lorsqu'elles sont ouvertes.
- La porte peut être entrouverte. >>> Fermez complètement la porte.

Il y a de la condensation sur les parois externes ou entre les portes de l'appareil.

- Il se peut que le climat ambiant soit humide, auquel cas cela est normal. >>> La condensation se dissipera lorsque l'humidité sera réduite.

Présence d'une odeur désagréable dans l'appareil.

- L'appareil n'est pas nettoyé régulièrement. >>> Nettoyez régulièrement l'intérieur à l'aide d'une éponge, de l'eau tiède et du bicarbonate de soude dissout dans l'eau.
- Certains récipients et matériaux d'emballage sont peut-être à l'origine des mauvaises odeurs. >>> Utilisez des récipients et des emballages exempts de toute odeur.
- Les aliments étaient placés dans des récipients ouverts. >>> Conservez les aliments dans des récipients fermés. Les micro-organismes peuvent se propager à partir de produits alimentaires non couverts hermétiquement et provoquer une mauvaise odeur.
- Retirez tous les aliments périmés ou avariés de l'appareil.

La porte ne se ferme pas.

- Les paquets d'aliments peuvent bloquer la porte. >>> Déplacez tout ce qui bloque les portes.
- L'appareil ne se tient pas parfaitement droit sur le sol. >>> Ajustez les pieds afin de stabiliser le produit.
- La surface n'est pas plane ou durable >>> Assurez-vous que la surface est plane et suffisamment durable pour supporter le produit.

Le bac à légumes est bloqué.

Il est possible que les aliments soient en contact avec la section supérieure du bac. >>> Remplacez les aliments dans le bac.

Température à la surface de l'appareil.

- Une température élevée peut être observée entre deux portes, sur les panneaux latéraux et sur la grille arrière lorsque votre appareil est utilisé.

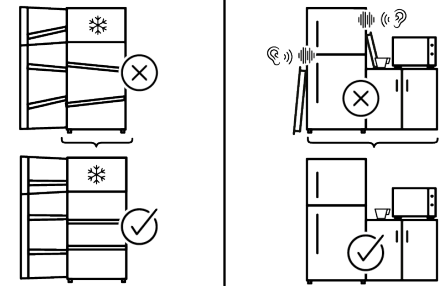
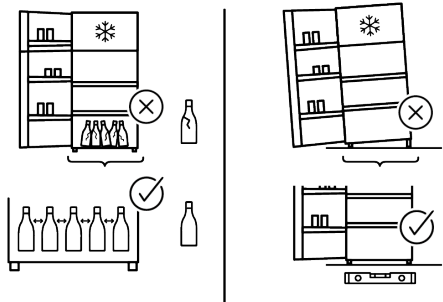
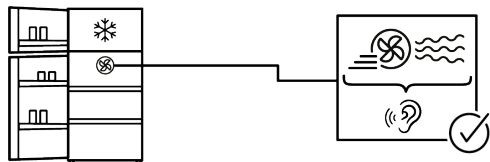
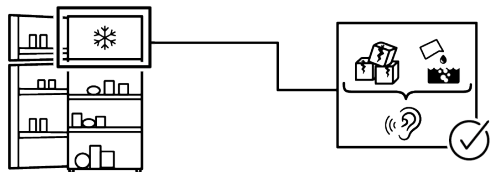
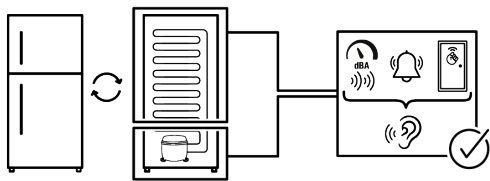
Le ventilateur continue de fonctionner lorsque la porte est ouverte.

- Le ventilateur peut continuer à fonctionner lorsque la porte du congélateur est ouverte.

Si le problème persiste même après observation des instructions contenues dans cette partie, contactez votre fournisseur ou

un service de maintenance agréé. N'essayez pas de réparer vous-même l'appareil. C'est normal.

FR



CLAUSE DE NON-RESPONSABILITÉ

Certaines défaillances (simples) peuvent être traitées de manière adéquate par l'utilisateur final sans qu'aucun problème de sécurité ou d'utilisation dangereuse ne survienne, à condition qu'elles soient effectuées dans les limites et conformément aux instructions suivantes (voir la section « Auto-réparation »).

Par conséquent, sauf autorisation contraire dans la section « Auto-réparation » ci-dessous, adressez-vous à des réparateurs professionnels agréés pour toutes réparations afin d'éviter des problèmes de sécurité. Un réparateur professionnel agréé est une personne à qui le fabricant a donné accès aux instructions et à la liste des pièces détachées de ce produit selon les méthodes décrites dans les actes législatifs en application de la directive 2009/125/CE

Toutefois, seul l'agent de service (c'est-à-dire les réparateurs professionnels agréés) que vous pouvez joindre au numéro de téléphone indiqué dans le manuel d'utilisation/la carte de garantie ou par l'intermédiaire de votre fournisseur agréé peut fournir un service conformément aux conditions de garantie. Par conséquent, veuillez noter que les réparations effectuées par des réparateurs professionnels (qui ne sont pas autorisés par) Bauknecht Marka annulent la garantie.

Auto-réparation

L'auto-réparation peut être effectuée par l'utilisateur final en ce qui concerne les pièces de rechange suivantes : poignées de porte, charnières de porte, plateaux, paniers et joints de porte (une liste mise à jour est également disponible sur <https://parts-selfservice.europeanappliances.com> à partir du 1er mars 2021).

En outre, pour garantir la sécurité du produit et éviter tout risque de blessure grave, ladite auto-réparation doit être effectuée en suivant les instructions du manuel d'utilisation pour l'auto-réparation ou celles disponibles sur <https://parts-selfservice.euro>

parts-selfservice.europeanappliances.com . Pour votre sécurité, débranchez le produit avant de procéder à toute auto-réparation.

Les réparations et tentatives de réparation par les utilisateurs finaux pour des pièces ne figurant pas dans cette liste et/ou ne suivant pas les instructions des manuels d'utilisation pour l'auto-réparation ou celles disponibles sur <https://parts-selfservice.europeanappliances.com>, pourraient donner lieu à des problèmes de sécurité non imputables à Bauknecht, et annuleront la garantie du produit.

Il est donc fortement recommandé aux utilisateurs finaux de s'abstenir de tenter d'effectuer des réparations ne figurant pas sur la liste des pièces de rechange mentionnée, mais de contacter dans de tels cas des réparateurs professionnels autorisés ou des réparateurs professionnels agréés. Au contraire, de telles tentatives de la part des utilisateurs finaux peuvent causer des problèmes de sécurité et endommager le produit et, par la suite, provoquer un incendie, une inondation, une électrocution et des blessures corporelles graves.

À titre d'exemple, mais sans s'y limiter, vous devez vous adresser à des réparateurs professionnels autorisés ou à des réparateurs professionnels agréés pour les réparations suivantes : compresseur, circuit de refroidissement, carte mère, carte d'inverseur, panneau d'affichage, etc.

Le fabricant/vendeur ne peut être tenu responsable dans tous les cas où les utilisateurs finaux ne se conforment pas à ce qui précède.

La disponibilité des pièces de rechange du réfrigérateur que vous avez acheté est de 10 ans. Pendant cette période, les pièces de rechange d'origine seront disponibles pour faire fonctionner le réfrigérateur correctement.

La durée minimale de garantie du réfrigérateur que vous avez acheté est de 24 mois. Cet appareil est équipé d'une source d'éclairage de classe énergétique « G ».

La source d'éclairage de cet appareil ne doit être remplacée que par des réparateurs professionnels.



FR
Cet appareil et ses accessoires se recyclent

REPRISE À LA LIVRAISON OU À DÉPOSER EN MAGASIN OU À DÉPOSER EN DÉCHÈTERIE

Points de collecte sur www.quefairede mesdechets.fr
Privilégiez la réparation ou le don de votre appareil !



FR
ÉLÉMENTS PAPIER

BAC DE TRI

Voir également

2 CLAUSE DE NON-RESPONSABILITÉ [] 53

Bitte lesen Sie zunächst dieses Handbuch

Lieber Kunde,

Vielen Dank, dass Sie sich für dieses Produkt entschieden haben.

Wir möchten, dass Sie mit diesem hochwertigen Produkt, das mit modernster Technologie hergestellt wurde, die optimale Effizienz erzielen. Lesen Sie daher vor der Verwendung des Produkts diese Bedienungsanleitung und alle anderen mitgelieferten Unterlagen sorgfältig durch.

Beachten Sie alle Informationen und Warnungen im Bedienungsanleitung. Auf diese Weise schützen Sie sich und Ihr Produkt vor den Gefahren, die auftreten können. Bewahren Sie das Bedienungsanleitung auf. Fügen Sie diese Anleitung dem Produkt bei, wenn Sie sie an eine andere Person übergeben.





Die folgenden Symbole werden im Benutzerhandbuch und auf dem Produkt verwendet:



Lesen Sie die Bedienungsanleitung.



Gefahr, die zum Tod oder zu Verletzungen führen kann.

| | |
|--|---|
|   SUPPLIER'S NAME MODEL IDENTIFIER → (*)   | Die in der Produktdatenbank gespeicherten Modellinformationen können über die folgende Website und die Suche nach Ihrer Modellkennung (*) auf dem Energieetikett abgerufen werden. https://eprel.ec.europa.eu/ |
|--|---|

Inhaltsverzeichnis


| | | |
|-----------|---|-----------|
| 1 | Sicherheitshinweise | 56 |
| 1.1 | Wichtige Sicherheitssymbole | 56 |
| 1.2 | Verwendungszweck | 56 |
| 1.3 | Sicherheit von Kindern, gefährdeten Personen und Haustieren | 57 |
| 1.4 | Elektrische Sicherheit | 57 |
| 1.5 | Handhabungssicherheit | 59 |
| 1.6 | Montagesicherheit | 59 |
| 1.7 | Betriebssicherheit | 62 |
| 1.8 | Sicherheit bei der Lagerung von Lebensmitteln | 66 |
| 1.9 | Wartungs- und Reinigungssicherheit | 67 |
| 1.10 | Beleuchtung | 68 |
| 1.11 | Entsorgung des alten Produkts | 68 |
| 2 | Umwelthinweise | 68 |
| 2.1 | Informationen zur Entsorgung:..... | 68 |
| 3 | Ihr Kühlschrank | 70 |
| 4 | Aufstellung | 70 |
| 4.1 | Richtiger Ort für die Installation.... | 70 |
| 4.2 | Anbringen der Kunststoffkeile | 71 |
| 4.3 | Einstellen der Füße | 71 |
| 4.4 | Warnung vor heißer Oberfläche!... | 71 |
| 5 | Vorbereitung | 71 |
| 5.1 | Was man zum Energiesparen tun kann | 71 |
| 5.2 | Erste Verwendung | 72 |
| 5.3 | Klimaklasse und Definitionen | 72 |
| 6 | Ändern der Türrichtung | 72 |
| 7 | Produktbedienung | 73 |
| 8 | Verwendung des Geräts | 73 |
| 8.1 | Einstellung der Betriebstemperatur | 73 |
| 8.2 | Auswechseln der Beleuchtungslampe | 75 |
| 9 | Wartung und Reinigung | 75 |
| 10 | Fehlerbehebung | 76 |


1 Sicherheitshinweise


- Dieser Abschnitt enthält die notwendigen Sicherheitshinweise, um die Gefahr von Personen- und Sachschäden zu vermeiden.
- Unser Unternehmen haftet nicht für Schäden, die bei Nichtbeachtung dieser Anweisungen entstehen können.
- Lassen Sie Montage- und Reparaturarbeiten immer vom Hersteller, einem autorisierten Kundendienst oder einer Person, die von der einführenden Firma beschrieben wird, durchführen.
- Verwenden Sie nur Originalersatzteile und Zubehör.
- Reparieren oder ersetzen Sie keine Komponenten des Produkts, wenn dies nicht eindeutig in der Bedienungsanleitung angegeben ist.
- Nehmen Sie keine Änderungen am Produkt vor.


1.1 Wichtige Sicherheitssymbole

 Gefahr eines Stromschlages!

 Lesen Sie die Bedienungsanleitung.

 Gefahr, die zu Verbrennungen durch Kontakt mit heißen Oberflächen führen kann.

 Brennbares Material, Warnung vor Brandgefahr.

 Verletzungsgefahr durch Kontakt mit scharfen Oberflächen!

 Gefahr von UV-C-Strahlung

1.2 Verwendungszweck

- Dieses Produkt ist nicht für den kommerziellen Gebrauch geeignet und sollte nicht für einen anderen als den vorgesehenen Zweck verwendet werden.
- Dieses Produkt ist für den Betrieb in Innenräumen, wie z.B. in Haushalten oder ähnlichem, vorgesehen.

Zum Beispiel;

In den Personalküchen von Geschäften, Büros und anderen Arbeitsumgebungen,

In Bauernhöfen,

In den Räumen von Hotels, Motels oder anderen Erholungseinrichtungen, die von Kunden genutzt werden,

In Herbergen oder ähnlichen Umgebungen,

In Catering-Diensten und ähnlichen Anwendungen außerhalb des Einzelhandels.

- Dieses Produkt darf nicht in offenen oder geschlossenen Außenbereichen wie Schiffen, Wohnmobile, Balkonen oder Terrassen verwendet werden. Wenn das Produkt Regen, Schnee, Sonnenlicht und Wind ausgesetzt wird, besteht Brandgefahr.
- Kinder und Haustiere müssen vom Kabinenbereich (Kompressor), in dem sich elektrische Teile befinden, ferngehalten werden.
- Reinigung und Benutzerwartung darf nicht von Kindern durchgeführt werden, es sei denn, sie werden von jemandem beaufsichtigt.

1.3 Sicherheit von Kindern, gefährdeten Personen und Haustieren



- Dieses Produkt kann von Kindern ab 8 Jahren und Personen mit unterentwickelten körperlichen, sensorischen oder geistigen Fähigkeiten oder mangelnder Erfahrung und Kenntnis verwendet werden, wenn sie beaufsichtigt werden oder eine Einweisung in den sicheren Gebrauch des Geräts und die damit verbundenen Gefahren erhalten haben.
- Kinder zwischen 3 und 8 Jahren dürfen Lebensmittel in das Kühlerprodukt einlegen und aus ihr entnehmen.
- Kinder und Haustiere dürfen nicht mit dem Produkt spielen, darauf herumklettern oder in das Innere des Produkts gelangen.

- Halten Sie Verpackungsmaterialien von Kindern fern! Es besteht Verletzungs- und Erstickengefahr.
- Wenn ein Schloss an der Tür des Geräts vorhanden ist, bewahren Sie den Schlüssel außerhalb der Reichweite von Kindern auf.



1.4 Elektrische Sicherheit

- Das Gerät darf während der Installation, Wartung, Reinigung, Reparatur und des Transports nicht an die Steckdose angeschlossen werden.
- Wenn das Netzkabel beschädigt ist, muss es von der vom Hersteller, einem autorisierten Dienstleister oder dem Importeur beauftragten Person ausgetauscht werden, um eine mögliche Gefahr zu vermeiden.
- Verlegen Sie das Netzkabel nicht unter dem Gerät oder an der Rückseite des Geräts. Stel-

len Sie keine schweren Gegenstände auf das Netzkabel. Das Netzkabel darf nicht geknickt oder gequetscht werden und nicht mit einer Wärmequelle in Berührung kommen.

- Verwenden Sie nur ein Originalkabel. Verwenden Sie keine abgeschnittenen oder beschädigten Kabel.
- Verwenden Sie keine Verlängerungskabel, Mehrfachsteckdosen oder Adapter, um Ihr Gerät zu betreiben.
- Tragbare Mehrfachsteckdosen oder tragbare Netzteile können sich überhitzen und einen Brand verursachen. Stellen Sie daher keine tragbaren Stromquellen mit Mehrfachsteckdosen hinter oder in der Nähe des Geräts auf.
- Bevor Sie das Gerät an das Stromnetz anschließen, nehmen Sie bitte während der Installation das Netzkabel aus der Kondensatorhalterung (sofern vorhanden) heraus.
- Der Benutzer sollte nicht in der Lage sein, nach erfolgter Installation die Elektroteile zu erreichen.
- Schließen Sie das Netzkabel des Geräts nicht an eine lose oder beschädigte Steckdose an. Derartige Verbindungen können überhitzen und einen Brand verursachen.
- Der Stecker muss leicht zugänglich sein. Wenn dies nicht möglich ist, muss die Elektroinstallation über einen Mechanismus verfügen, der den gesetzlichen Vorschriften entspricht und alle Anschlüsse vom Netz trennt (Sicherung, Schalter, Hauptschalter usw.).
- Das Produkt darf nicht mit einem externen Schaltgerät wie z. B. einer Zeitschaltuhr oder einem ferngesteuerten System betrieben werden.
- Benutzen Sie das Produkt nicht, wenn Sie nackte Füße haben oder Ihr Körper nass ist.
- Berühren Sie den Stecker nicht mit nassen Händen!
- Fassen Sie beim Ausstecken des Geräts nicht das Netzkabel, sondern den Stecker an.
- Achten Sie darauf, dass der Stecker nicht nass, schmutzig oder staubig ist.
- Schließen Sie Ihr Gerät niemals an stromsparende Geräte an. Solche Systeme sind schädlich für das Gerät.

1.5 Handhabungssicherheit

- Ziehen Sie unbedingt den Netzstecker, bevor Sie das Gerät tragen.
- Dieses Produkt ist schwer, handhaben Sie es nicht selbst. Wenn das Gerät auf Sie fällt, können Sie sich verletzen. Stoßen Sie beim Transport nicht an und lassen Sie das Gerät nicht fallen.
- Schließen Sie immer die Türen und halten Sie das Gerät nicht an den Türen fest, wenn Sie es transportieren.
- Achten Sie beim Umgang mit dem Gerät darauf, dass das Kühlsystem und die Leitungen nicht beschädigt werden. Nehmen Sie das Gerät nicht in Betrieb, wenn die Leitungen beschädigt sind, und wenden Sie sich an einen autorisierten Kundendienst.

1.6 Montagesicherheit

- Um das Produkt für den Gebrauch vorzubereiten, lesen Sie bitte die Informationen im Benutzer- und Installationshandbuch und vergewissern Sie sich, dass die Strom- und Wasseranschlüsse wie gewünscht sind. Wenn dies nicht der Fall ist, wenden Sie sich an einen qualifizierten Elektriker und

einen Monteur, um die Versorgungsleitungen entsprechend zu installieren.

- **Andernfalls kann es zu einem elektrischen Schlag, Brand, Problemen mit dem Gerät oder Verletzungen kommen.**
- Bevor Sie mit der Installation beginnen, schalten Sie die Sicherung aus, um die Stromleitung, an die das Produkt angeschlossen ist, stromlos zu machen.
- Die Installation des Geräts sollte von zwei Personen durchgeführt werden. Bitte tragen Sie Schutzhandschutz, wenn Sie das Gerät entpacken und installieren.
- Dieses Produkt ist für die Verwendung in einer maximalen Höhe von 2000 Metern über dem Meeresspiegel ausgelegt.
- Halten Sie Kinder vom Installationsbereich fern.
- Überprüfen Sie das Gerät vor der Installation auf eventuelle Schäden. Lassen Sie das Gerät nicht installieren, wenn es beschädigt ist.
- Verwenden Sie bei der Installation, Wartung und Reparatur des Produkts stets persönliche Schutzausrüstung (Handschuhe usw.). Es besteht Verletzungsgefahr.

- Installieren Sie das Produkt nicht an Orten, an denen es externen Umgebungstemperaturen ausgesetzt sein könnte, und lassen Sie es nicht dort stehen.
- Stellen Sie das Gerät auf eine saubere, ebene und stabile Fläche und balancieren Sie es mit den verstellbaren Füßen aus (durch Drehen der vorderen Füße nach rechts oder links). Andernfalls kann der Kühlschrank umkippen und Verletzungen verursachen.
- Gehen Sie mit Vorsicht vor, um Schäden an den Fußböden (Fliesen usw.) zu vermeiden, wenn Sie Gerät bewegen. Installieren Sie das Gerät unbedingt auf einem Untergrund, der stabil genug für dessen Größe, Gewicht sowie seine Nutzung ist. Achten Sie darauf, dass das Gerät nicht nahe von Wärmequellen aufgestellt wird und ein stabiler Stand gegeben ist und alle vier Gerätefüße festen Kontakt mit dem Boden haben. Installieren Sie das Gerät vorschriftsgemäß und kontrollieren Sie dessen waagerechten Stand mit einer Wasserwaage. Für das einwandfreie Funktionieren des Kühlmittelkreislaufs warten Sie bitte mindestens zwei Stunden, bevor Sie das Gerät in Betrieb nehmen.
- Das Gerät muss in einer trockenen und belüfteten Umgebung aufgestellt werden. Legen Sie keine Teppiche, Vorleger oder ähnliche Beläge unter das Gerät. Dies kann zu Brandgefahr durch unzureichende Belüftung führen!
- Die Lüftungsöffnungen dürfen nicht blockiert oder abgedeckt werden. Andernfalls erhöht sich der Stromverbrauch und Ihr Produkt kann beschädigt werden.
- Achten Sie auf ausreichenden Abstand auf beiden Seiten und zur Raumdecke für eine angemessene Belüftung. Der Abstand zwischen der Geräterückwand und der Wand hinter dem Gerät muss mindestens 50 mm betragen, um eine Überhitzung der Oberflächen zu verhindern. Eine Verkleinerung dieses Abstands kann zu einem erhöhten Energieverbrauch des Geräts führen.
- Achten Sie beim Platzieren des Produkts darauf, dass das Netzkabel nicht beschädigt oder eingeklemmt wird.
- Das Produkt darf nicht an Versorgungssysteme und Stromquellen angeschlossen wer-

den, die plötzliche Spannungsschwankungen verursachen können (z. B. eine tragbare Solarstromquelle). Andernfalls kann es durch die abrupten Spannungsschwankungen zu Schäden an Ihrem Produkt kommen!

- Je mehr Kältemittel ein Kühlschrank enthält, desto größer sollte sein Aufstellraum sein. In sehr kleinen Räumen kann bei einem Gasaustritt im Kühlsystem ein brennbares Gas-Luft-Gemisch entstehen. Pro 8 Gramm Kältemittel wird mindestens 1 m³ Rauminhalt benötigt. Die Menge des in Ihrem Produkt verfügbaren Kältemittels ist auf dem Typenschild angegeben.
- Das Gerät darf nicht so aufgestellt werden, dass Stromkabel, der Metallschlauch des Gasherds, Gas- oder Wasserleitungen aus Metall mit der Rückwand des Geräts (oder dem Verflüssiger) in Berührung kommen.
- Der Aufstellungsort des Produkts darf nicht der direkten Sonneneinstrahlung ausgesetzt sein und sich nicht in der Nähe von Wärmequellen wie Öfen, Heizkörpern usw. befinden. Wenn Sie die Aufstellung des Produkts in der Nähe einer

Wärmequelle nicht vermeiden können, verwenden Sie eine geeignete Isolierplatte und stellen Sie sicher, dass der Mindestabstand zur Wärmequelle wie unten angegeben ist:

- Mindestens 30 cm Abstand zu Wärmequellen wie Herden, Öfen, Heizgeräten und Heizkörpern usw.,
- Und mindestens 5 cm Abstand zu Elektroöfen.
- Ihr Produkt hat die Schutzklasse I.
- Schließen Sie das Gerät an eine geerdete Steckdose an, die mit den auf dem Typenschild angegebenen Werten für Spannung, Stromstärke und Frequenz übereinstimmt. Die Steckdose muss mit einer 10A - 16A Sicherung ausgestattet sein. Unser Unternehmen übernimmt keine Haftung für alle Schäden aufgrund einer Nutzung ohne Erdung oder ohne eines Stromanschlusses, der nicht den örtlichen und nationalen Vorschriften genügt.
- Während der Aufstellung muss der Gerätenetzstecker gezogen sein. Andernfalls besteht die Gefahr eines Stromschlags und von Verletzungen!

- Schließen Sie das Gerät nicht an lockere, beschädigte, schmutzige, fettige oder aus der Verankerung geratene Steckdosen oder an Steckdosen an, die mit Wasser in Berührung kommen können. Derartige Verbindungen können überhitzen und einen Brand verursachen.
- Verlegen Sie das Netzkabel und die Schläuche (falls vorhanden) des Geräts so, dass sie keine Stolpergefahr darstellen.
- Das Eindringen von Feuchtigkeit und Flüssigkeit in stromführende Teile oder in das Netzkabel kann einen Kurzschluss verursachen. Verwenden Sie das Gerät daher nicht in feuchten Umgebungen oder in Bereichen, in denen Wasser spritzen kann (z.B. Garage, Waschküche usw.). Wenn der Kühlschrank nass geworden ist, ziehen Sie den Stecker und wenden Sie sich an einen autorisierten Kundendienst.
- Schließen Sie Ihren Kühlschrank niemals an Energiespargeräte an. Solche Systeme sind schädlich für das Gerät.
- Beim Entfernen der Abdeckung der Elektronikplatine und der hinteren Abdeckung des Kompressors (falls vorhanden) be-

steht die Gefahr des Kontakts mit elektrischen Teilen. Entfernen Sie nicht die Abdeckung der Elektronikplatine und die hintere Abdeckung des Kompressors (falls vorhanden). Es besteht die Gefahr eines Stromschlags!

1.7 **Betriebssicherheit**

- Verwenden Sie niemals chemische Lösungsmittel für das Gerät. Diese Stoffe bergen ein Explosionsrisiko.
- Im Falle einer Störung des Geräts ziehen Sie den Stecker aus der Steckdose (oder schalten Sie die Sicherung aus, an die es angeschlossen ist) und nehmen Sie es nicht in Betrieb, bis es vom autorisierten Kundendienst repariert wurde. Es besteht die Gefahr eines Stromschlags.
- Stellen Sie keine Flammen (brennende Kerze, Zigarette usw.) oder Wärmequellen (Bügeleisen, Herd, Ofen usw.) auf oder in die Nähe des Geräts. Stellen Sie keine brennbaren/explosiven Materialien in der Nähe des Geräts ab...
- Steigen Sie nicht auf das Gerät. Sturz- und Verletzungsgefahr!

- Beschädigen Sie die Leitungen des Kühlsystems nicht mit scharfen und stechenden Werkzeugen. Das Kältemittel, das beim Durchstechen der Gasrohre, der Rohrverlängerungen oder der oberen Oberflächenbeschichtungen austritt, kann zu Hautreizungen und Verletzungen der Augen führen.
- Nicht in den Kühlmittelkreislauf eingreifen oder diesen beschädigen Explosionsgefahr.
- Stellen Sie keine elektrischen Geräte im Inneren des Kühl-/ Gefrierschranks auf und betreiben Sie sie nicht, es sei denn, dies wird vom Hersteller empfohlen.
- Wenden Sie keine anderen als die vom Hersteller empfohlenen Verfahren an, um das Abtauen zu beschleunigen.
- Achten Sie darauf, dass Sie Ihre Hände oder Ihren Körper nicht mit den beweglichen Teilen im Inneren des Geräts in Berührung bringen. Achten Sie darauf, dass Ihre Finger nicht zwischen Kühlschrank und Tür eingeklemmt werden. Seien Sie vorsichtig beim Öffnen und Schließen der Tür, wenn Kinder in der Nähe sind.
- Nehmen Sie Eis, Eiswürfel oder gefrorene Lebensmittel nicht sofort in den Mund, wenn Sie sie aus dem Gefrierschrank nehmen. Frostbeulenrisiko!
- Berühren Sie die Innenwände, die Metallteile des Gefrierschranks oder die im Gefrierschrank aufbewahrten Lebensmittel nicht mit nassen Händen. Frostbeulenrisiko!
- Stellen Sie keine Getränkedosen oder Dosen und Flaschen, die Flüssigkeiten enthalten, die gefrieren können, in das Gefrierfach. Dosen oder Flaschen können explodieren. Verletzungsgefahr und Gefahr von Sachschäden!
- Verwenden oder lagern Sie keine temperaturempfindlichen Materialien wie brennbare Sprays, brennbare Gegenstände, Trockeneis oder andere chemische Stoffe in der Nähe des Kühlschranks. Brand- und Explosionsgefahr!
- Bewahren Sie keine explosiven Materialien wie Spraydosen mit brennbaren Stoffen im Inneren des Geräts auf.
- Stellen Sie Dosen, die Flüssigkeiten enthalten, nicht im offenen Zustand auf das Produkt. Wenn Wasser auf ein elektri-

ches Teil spritzt, besteht die Gefahr eines elektrischen Schlags oder eines Brands.

- Bewahren Sie keine Glasbehälter mit Flüssigkeit im Gefrierfach auf, da sie zerbrechen können.
- Dieses Produkt ist nicht für die Lagerung und Kühlung von Arzneimitteln, Blutplasma, Laborpräparaten oder ähnlichen Materialien und Produkten vorgesehen, die unter die Medizinprodukte-Richtlinie fallen.
- Wenn das Produkt nicht bestimmungsgemäß verwendet wird, kann es zu einer Beschädigung oder Beeinträchtigung der darin gelagerten Produkte kommen.
- Wenn Ihr Kühlschrank mit blauem Licht ausgestattet ist, dürfen Sie nicht mit optischen Geräten in dieses Licht blicken. Schauen Sie nicht über einen längeren Zeitraum direkt in das UV-LED-Licht. Ultraviolette Strahlen können die Augen überanstrengen.
- Befüllen Sie das Produkt nicht mit mehr Inhalt als es aufnehmen kann. Wenden Sie keine anderen als die vom Hersteller empfohlenen Verfahren an, um das Abtauen zu beschleunigen. Es kann zu Verletzungen oder Schäden kommen, wenn der Inhalt des Kühlschranks beim Öffnen der Tür herunterfällt. Ähnliche Probleme können auch auftreten, wenn ein Gegenstand auf das Gerät gestellt wird.
- Vergewissern Sie sich, dass Sie jegliches Eis oder Wasser, das auf den Boden gefallen sein könnte, entfernt haben, um Verletzungen zu vermeiden.
- Ändern Sie die Position der Ablagen/Flaschenablagen an der Tür Ihres Kühlschranks nur, wenn die Ablagen leer sind. Es besteht Verletzungsgefahr!
- Stellen Sie keine Gegenstände auf das Produkt, die herunterfallen/umkippen können. Diese Gegenstände können beim Öffnen oder Schließen der Tür herunterfallen und Verletzungen und/oder Sachschäden verursachen.
- Schlagen Sie nicht auf Glasflächen und üben Sie keinen übermäßigen Druck darauf aus. Zerbrochenes Glas kann zu Verletzungen und/oder Sachschäden führen.
- Bei Geräten, deren Design den Einsatz eines Luftfilters vorsieht, der sich innerhalb einer zugänglichen Gebläseabde-

ckung befindet, muss stets ein Filter eingesetzt sein, wenn das Gerät in Betrieb ist.

- Das Gebläse (soweit zutreffend) darf nicht mit Kühlgut verstellt werden.
- Beschädigte Dichtungsringe müssen so schnell wie möglich ausgetauscht werden.
- Ihr Gerät verfügt gegebenenfalls für Spezialfächer (Fach für frische Lebensmittel, Null-Grad-Fach usw.). Sofern in der betreffenden Bedienungsanleitung für das Gerät nicht anders angegeben können diese Fächer entfernt werden, ohne dass dies die allgemeine Funktion des Geräts beeinträchtigt.
- Das Kühlsystem in Ihrem Produkt enthält das Kältemittel R600a. Der im Produkt verwendete Kältemitteltyp ist auf dem Typenschild angegeben. Das Gas ist entflammbar. Achten Sie deshalb beim Betrieb des Produkts darauf, dass das Kühlsystem und die Leitungen nicht beschädigt werden. Im Falle einer Beschädigung der Rohre;
 1. Berühren Sie nicht das Produkt oder das Netzkabel.

2. Halten Sie das Gerät von potenziellen Feuerquellen fern, die das Gerät in Brand setzen könnten.
3. Belüften Sie den Bereich, in dem das Gerät aufgestellt ist. Verwenden Sie keinen Ventilator.
4. Wenden Sie sich an den autorisierten Kundendienst.

Bevor Sie alte Produkte entsorgen, die nicht mehr verwendet werden sollen:

1. Ziehen Sie den Stecker des Netzkabels aus der Steckdose.
2. Schneiden Sie das Netzkabel ab und ziehen Sie es zusammen mit dem Stecker aus dem Gerät.
3. Nehmen Sie die Ablagen und Schubladen nicht aus dem Gerät, um zu verhindern, dass Kinder in das Innere des Geräts gelangen können.
4. Entfernen Sie die Türen.
5. Bewahren Sie das Gerät so auf, dass es nicht umgestoßen werden kann.
6. Erlauben Sie Kindern nicht, mit dem ausrangierten Produkt zu spielen.
7. Wenn das Gerät beschädigt ist und Sie ein Gasleck feststellen, halten Sie sich bitte vom Gas fern. Gas kann Er-

frierungen verursachen, wenn es mit Ihrer Haut in Kontakt kommt.

- Entsorgen Sie das Gerät nicht, indem Sie es ins Feuer werfen. Es besteht Explosionsgefahr.
- Wenn ein Schloss an der Tür des Geräts vorhanden ist, bewahren Sie den Schlüssel außerhalb der Reichweite von Kindern auf.



1.8 Sicherheit bei der Lagerung von Lebensmitteln

Bitte beachten Sie die folgenden Warnhinweise, um den Verderb von Lebensmitteln zu vermeiden:

- Wenn Sie die Türen längere Zeit offen stehen lassen, kann die Temperatur im Inneren des Geräts ansteigen.
- Reinigen Sie regelmäßig die zugänglichen Abflusssysteme, die mit den Lebensmitteln in Berührung kommen.
- Reinigen Sie Wassertanks, die 48 Stunden lang nicht benutzt wurden, und Wasserversorgungssysteme, die mehr als 5 Tage lang nicht benutzt wurden.
- Lagern Sie rohe Fleisch- und Fischprodukte in geeigneten Fächern innerhalb des Produkts. So tropft es nicht auf

andere Lebensmittel und kommt nicht mit ihnen in Berührung.

- Zwei-Sterne-Gefrierfächer werden für die Lagerung von vorgefüllten Lebensmitteln, die Herstellung und Lagerung von Eis und Speiseeis verwendet.
- Ein-, Zwei- und Drei-Sterne-Fächer sind nicht zum Einfrieren frischer Lebensmittel geeignet.
- Wenn das Gefrierschrank längere Zeit nicht benutzt wurde, schalten Sie es aus, tauen Sie es ab, reinigen und trocknen Sie es, um das Gehäuse des Geräts zu schützen.
- Kontrollieren Sie, nachdem die Lebensmittel eingeräumt worden sind, ob alle Fächerklappen und insbesondere die Gefrierfachtür ordnungsgemäß geschlossen worden sind.
- Nutzen Sie das Kühlschranksfach für die Lagerung von frischen Lebensmitteln und das Gefrierfach für die Lagerung von Gefriergut, zum Einfrieren von Lebensmitteln sowie für die Herstellung von Eiswürfeln.
- Lebensmittel sollten stets in geschlossenen Verpackungen oder Gefäßen im Kühlschrank bzw. in den Gefrierfächern aufbewahrt werden, um jeden di-

rekten Kontakt mit den Oberflächen im Geräteinnern zu verhindern.



1.9 Wartungs- und Reinigungssicherheit

- Ziehen Sie den Netzstecker oder schalten Sie die Sicherung aus, bevor Sie das Gerät reinigen oder Wartungsarbeiten durchführen.
- Ziehen Sie nicht an der Tür oder am Türgriff, wenn Sie das Gerät zu Reinigungszwecken bewegen wollen. Die Tür kann Verletzungen verursachen, wenn Sie zu fest am Griff ziehen.
- Stellen Sie keine Hände, Füße oder Metallgegenstände unter oder hinter Ihr Gerät. Es kann zu einem Einklemmen kommen oder scharfe Kanten können Verletzungen verursachen.
- Waschen Sie das Produkt weder innen noch außen mit einem Hochdruckreiniger, Dampf, Spritzwasser oder Gießwasser. Es besteht Stromschlag- und Brandgefahr.
- Verwenden Sie zum Reinigen des Produkts keine scharfen und scheuernden Werkzeuge oder Haushaltsreiniger, Waschmittel, Gas, Benzin, Verdüner, Alkohol, Lacke und ähnliche Substanzen. Verwenden Sie nur Reinigungs- und Pflegemittel, die für die Lebensmittel im Inneren des Geräts unschädlich sind.
- Verwenden Sie kein Küchenpapier, keine Reinigungsschwämme oder sonstige harte Reinigungsmaterialien.
- Verwenden Sie zur Reinigung des Geräts und zum Auftauen des Eises im Inneren niemals Dampf oder dampfhaltige Reinigungsmittel. Dampf kommt mit den stromführenden Teilen Ihres Kühlschranks in Berührung und kann einen Kurzschluss oder Stromschlag verursachen.
- Verwenden Sie keine mechanischen Werkzeuge oder andere Werkzeuge als die Empfehlungen des Herstellers, um den Auftauvorgang zu beschleunigen.
- Achten Sie darauf, dass Wasser nicht in die Nähe der Lüftungsöffnungen, der elektronischen Schaltkreise oder der Beleuchtung des Geräts gelangt. Andernfalls besteht die Gefahr eines Brands oder Stromschlags.
- Verwenden Sie ein sauberes, trockenes Tuch, um Staub oder Fremdkörper an den Steckerspitzen abzuwischen. Verwenden Sie kein nasses oder

feuchtes Tuch, um den Stecker zu reinigen. Andernfalls besteht die Gefahr eines Brands oder Stromschlags.

1.10 Beleuchtung

Wenden Sie sich an einen autorisierten Kundendienst, wenn Sie die LED / Glühbirne für die Beleuchtung ersetzen müssen.

1.11 Entsorgung des alten Produkts

Befolgen Sie bei der Entsorgung Ihres alten Produkts die nachstehenden Anweisungen:

- Um zu verhindern, dass sich Kinder versehentlich im Gerät einschließen, deaktivieren Sie die Türverriegelung, falls sie vorhanden ist.

- Spritzer von Kühlmittel sind schädlich für die Augen. Beschädigen Sie beim Entsorgen des Geräts keine Teile des Kühlsystems.
- Es kann tödlich sein, wenn das Kompressoröl verschluckt wird oder in die Atemwege eindringt.
- Das Kühlsystem Ihres Produkts enthält R600a-Gas, wie auf dem Typenschild angegeben. Das Gas ist entflammbar. Entsorgen Sie das Gerät nicht, indem Sie es ins Feuer werfen. Es besteht Explosionsgefahr!
- C-Pentan wird als Treibmittel in Isolierschaum verwendet und ist ein brennbarer Stoff. Entsorgen Sie das Gerät nicht, indem Sie es ins Feuer werfen.

2 Umwelthinweise

2.1 Informationen zur Entsorgung:



Ihre Pflichten als Endnutzer
Dieses Elektro- bzw. Elektronikgerät ist mit einer durchgestrichenen Abfalltonne auf Rädern gekennzeichnet. Das Gerät darf deshalb nur getrennt vom unsortierten Siedlungsabfall gesammelt und zurückgenommen werden.

Es darf somit nicht in den Hausmüll gegeben werden. Das Gerät kann z.B. bei einer kommunalen Sammelstelle oder ggf. bei einem Vertreiber (siehe unten zu deren Rücknahmepflichten in Deutschland) abgegeben werden.

Das gilt auch für alle Bauteile, Unterbaugruppen und Verbrauchsmaterialien des zu entsorgenden Altgeräts.

Bevor das Altgerät entsorgt werden darf, müssen alle Altbatterien und Altakkumulatoren vom Altgerät getrennt werden, die nicht vom Altgerät umschlossen sind. Das gleiche gilt für Lampen, die zerstörungsfrei aus dem Altgerät entnommen werden können. Der Endnutzer ist zudem selbst dafür verantwortlich, personenbezogene Daten auf dem Altgerät zu löschen.



Hinweise zum Recycling

Helfen Sie mit, alle Materialien zu recyceln, die mit diesem Symbol gekennzeichnet sind. Entsorgen Sie solche Materialien, insbesondere Verpackungen, nicht im Hausmüll, sondern über die bereitgestellten Recyclingbehälter oder die entsprechenden örtlichen Sammelsysteme. Recyceln Sie zum Umwelt- und Gesundheitsschutz elektrische und elektronische Geräte.

Rücknahmepflichten der Vertrieber

Wer auf mindestens 400 m² Verkaufsfläche Elektro- und Elektronikgeräte vertreibt oder diese gewerblich an Endnutzer abgibt, ist verpflichtet, bei Abgabe eines neuen Gerätes, ein Altgerät des Endnutzers der gleichen Geräteart, das im Wesentlichen die gleichen Funktionen wie das neue Gerät erfüllt, am Ort der Abgabe oder in unmittelbarer Nähe, unentgeltlich zurückzunehmen. Das gilt auch für Vertrieber von Lebensmitteln mit einer Gesamtverkaufsfläche von mindestens 800 m², die mehrmals im Kalenderjahr oder dauerhaft Elektro- und Elektronikgeräte anbieten und auf dem Markt bereitstellen. Solche Vertrieber müssen zudem auf Verlangen des Endnutzers Altgeräte, die in keiner äußeren Abmessung größer als 25 cm sind, (kleine Elektrogeräte) im Einzelhandelsgeschäft oder in unmittelbarer Nähe hierzu unentgeltlich zurückzunehmen; die Rücknahme darf in diesem Fall nicht an den Kauf eines Elektro- oder Elektronikgerätes verknüpft, kann aber auf drei Altgeräte pro Geräteart beschränkt werden. Ort der Abgabe ist auch der private Haushalt, wenn das neue Elektro- oder Elektronikgerät dorthin geliefert wird; in diesem Fall ist die Abholung des Altgerätes für den Endnutzer kostenlos.

Die vorstehenden Pflichten gelten auch für den Vertrieb unter Verwendung von Fernkommunikationsmitteln, wenn die Vertrieber Lager- und Versandflächen für Elektro- und Elektronikgeräte bzw. Gesamtlager und Versandflächen für Lebensmittel beinhalten, die den oben genannten Verkaufsflächen entsprechen. Die unentgeltliche Abholung von Elektro- und Elektronikgeräten ist dann aber auf Wärmeüberträger (z.B. Kühlschrank), Bildschirme, Monitore und Geräte, die Bildschirme mit einer Oberfläche von mehr als 100 cm² enthalten und Geräte beschränkt, bei denen mindestens eine der äußeren Abmessungen mehr als 50 cm beträgt. Für alle übrigen Elektro- und Elektronikgeräte muss der Vertrieber geeignete Rückgabemöglichkeiten in zumutbarer Entfernung zum jeweiligen Endnutzer gewährleisten; das gilt auch für kleine Elektrogeräte (s.o.), die der Endnutzer zurückgeben möchte, ohne ein neues Gerät zu erwerben.

Einhaltung der RoHS-Richtlinie:

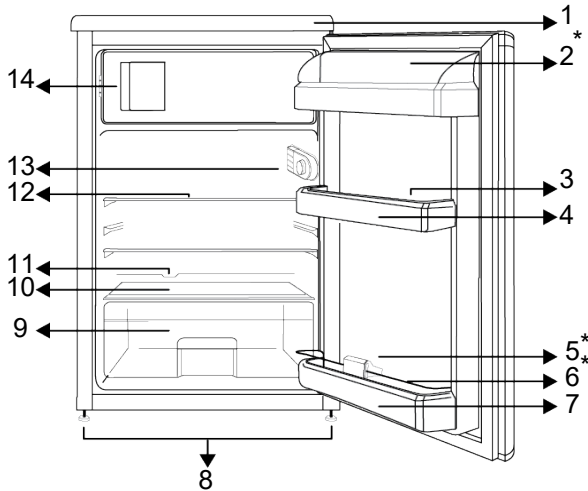
Das von Ihnen gekaufte Gerät entspricht der RoHS-Richtlinie der EU (2011/65/EU). Es enthält keinerlei Materialien, die gemäß der Richtlinie als schädlich oder verboten gelten.

CE Konformität mit Normen und Prüfgrundlagen / EG-Konformitätserklärung

Entwicklung, Herstellung und Vertrieb dieses Produkts entsprechen den Sicherheitsvorschriften aller einschlägigen Richtlinien der Europäischen Gemeinschaft. 2014/35/EU, 2014/30/EU, 93/68/EG, IEC 60436/DIN 44990, EN 50242

3 Ihr Kühlschrank

DE



- | | |
|-------------------------------------|-----------------------------|
| 1 Festes oberes Fach | 2 *Fach für Butter und Käse |
| 3 Eierhalter | 4 Türregal |
| 5 *Flaschenhalter | 6 *Sicherheitsvisier |
| 7 Flaschenablage | 8 Verstellbare Füße |
| 9 Gemüsefach | 10 Gemüsefachabdeckung Glas |
| 11 Auftauwasserauffangkanal -Ablauf | 12 Glasplatte |
| 13 Thermostatschalter | 14 Gefrierfach |

***Optional:** Die Abbildungen in dieser Bedienungsanleitung sind schematisch und stimmen möglicherweise nicht genau mit Ihrem

Produkt überein. Wenn Ihr Produkt nicht die relevanten Teile enthält, beziehen sich die Informationen auf andere Modelle.

4 Aufstellung

Lesen Sie zuerst die „Sicherheitshinweise“.

4.1 Richtiger Ort für die Installation

Wenden Sie sich für die Montage des Geräts an den autorisierten Kundendienst. Um das Gerät für die Installation vorzubereiten, lesen Sie die Informationen in der Bedienungsanleitung und stellen Sie sicher, dass die Strom- und Wasserleitungen den Anforderungen entsprechen. Wenn dies nicht der Fall ist, wenden Sie sich an einen Elektriker und einen Monteur, um die Versorgungsleitungen entsprechend zu installieren.

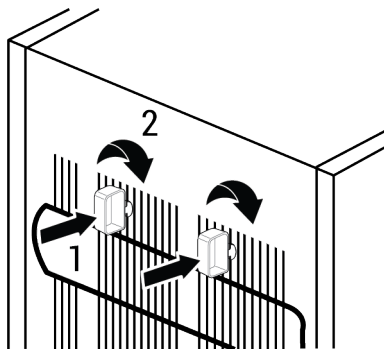
- Stellen Sie das Gerät auf eine ebene Fläche, um Vibrationen zu vermeiden.
- Stellen Sie das Produkt mindestens 30 cm von Heizung, Herd und ähnlichen Wärmequellen und mindestens 5 cm von Elektroöfen entfernt auf.
- Wenn Sie zwei Kühlschränke nebeneinander aufstellen, müssen Sie einen Mindestabstand von wenigstens 4 cm zwischen beiden Geräten einhalten.
- Das Gerät ist vor direkter Sonneneinstrahlung und Hitze geschützt an einem trockenen Ort aufzustellen.

- Ihr Produkt benötigt eine ausreichende Luftzirkulation, um effizient zu funktionieren. Wenn Sie das Gerät in eine Nische stellen, denken Sie daran, mindestens 5 cm Abstand zwischen dem Produkt und der Decke, der Rückwand und den Seitenwänden zu lassen.
- Prüfen Sie, ob die Rückwand-Abstands-schutzkomponente an ihrem Standort vorhanden ist (falls mit dem Produkt geliefert).
- Wenn die Komponente nicht verfügbar ist oder verloren geht oder heruntergefallen ist, positionieren Sie das Produkt so, dass zwischen der Rückseite des Produkts und der Wand des Raums mindestens 5 cm Abstand verbleiben. Der Freiraum an der Rückseite ist wichtig für den effizienten Betrieb des Produkts.

4.2 Anbringen der Kunststoffkeile

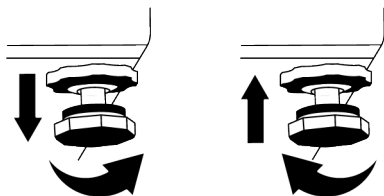
Verwenden Sie die mit dem Gerät gelieferten Kunststoffkeile, um ausreichend Platz für die Luftzirkulation zwischen dem Gerät und der Wand zu schaffen. Montieren Sie 2 Kunststoffkeile wie in der folgenden Abbildung gezeigt.

(Das angegebene Bild ist repräsentativ gezeichnet, es entspricht nicht vollständig Ihrem Produkt.)



4.3 Einstellen der Füße

Wenn sich das Gerät nicht im Gleichgewicht befindet, stellen Sie die vorderen verstellbaren Füße ein, indem Sie sie nach rechts oder links drehen.



4.4 Warnung vor heißer Oberfläche!

Die Seitenwände Ihres Produkts sind mit Kühlerrohren ausgestattet, um das Kühlsystem zu verbessern. Hochdruckflüssigkeit kann durch diese Oberflächen fließen und heiße Oberflächen an den Seitenwänden verursachen. Dies ist normal und erfordert keine Wartung.

5 Vorbereitung

Lesen Sie zuerst die „Sicherheitshinweise“.

5.1 Was man zum Energiesparen tun kann

- Dieses Kühlgerät ist nicht für die Verwendung als Einbaugerät vorgesehen
- Wenn Lebensmittel in das Gerät gelegt werden, muss auf ausreichend Abstand im Geräteinnenraum geachtet werden, um die für die Kühlung erforderliche Luftzirkulation nicht zu behindern.

- Da heiße und feuchte Luft nicht direkt in Ihr Produkt eindringt, wenn die Türen nicht geöffnet werden, optimiert sich Ihr Produkt unter Bedingungen, die zum Schutz Ihrer Lebensmittel ausreichen. Unter diesen Umständen arbeiten Funktionen und Komponenten wie Kompressor, Lüfter, Heizung, Abtauung, Beleuchtung, Display usw. bedarfsgerecht und mit minimalem Energieverbrauch.

- Falls mehrere Optionen vorhanden sind, müssen Glasböden so platziert werden, dass die Luftauslässe an der Rückwand nicht blockiert werden und vorzugsweise so, dass die Luftauslässe unterhalb des Glasbodens bleiben. Diese Kombination kann dazu beitragen, die Luftverteilung und die Energieeffizienz zu verbessern.
- Durch das Lagern von Lebensmitteln im Kühl- oder im Kaltlagerfach entsprechend dem jeweiligen Lagerbedarf sparen Sie Energie.

5.2 Erste Verwendung

Bevor Sie das Gerät das erste Mal verwenden, achten Sie darauf, alle Vorbereitungen gemäß dieser Bedienungsanleitung, insbesondere wie in den Abschnitten „Wichtige Hinweise zur Sicherheit“ und „Aufstellung“ beschrieben, durchzuführen.

- Für eine einwandfreie Funktion des Kühlmittelkreislaufs warten Sie bitte mindestens zwei Stunden, bevor Sie das Gerät in Betrieb nehmen.
- Lassen Sie das leere Gerät mindesten 6 Stunden lang laufen. In dieser Zeit sollte die Gerätetür, nur geöffnet werden, wann die absolut notwendig ist.
- Die Temperaturänderung, die durch das Öffnen und Schließen der Tür während der Verwendung des Produkts verursacht wird, kann normalerweise zu Kondenswasserbildung führen, die auf Tür-/Korpusregalen und Glaswaren in das Produkt gestellt werden.
- Wenn der Kompressor sich einschaltet, ist ein Geräusch zu hören. Es ist normal, dass das Produkt Geräusche macht,

auch wenn der Kompressor nicht läuft, da im Kühlsystem Flüssigkeit und Gas komprimiert werden können.

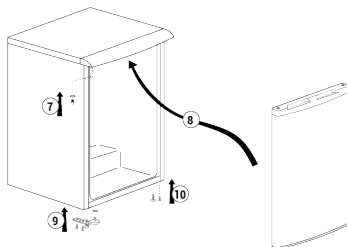
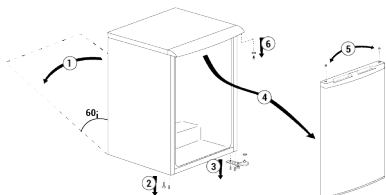
- Es ist normal, dass die vorderen Ränder des Geräts warm sind. Diese sind so gestaltet, dass sie erwärmen, um Kondensation zu vermeiden.
- Bei einigen Modellen schaltet sich die Anzeigetafel 1 Minuten nach dem Schließen der Tür automatisch aus. Sie wird wieder aktiviert, wenn die Tür offen ist oder eine beliebige Taste gedrückt wird.

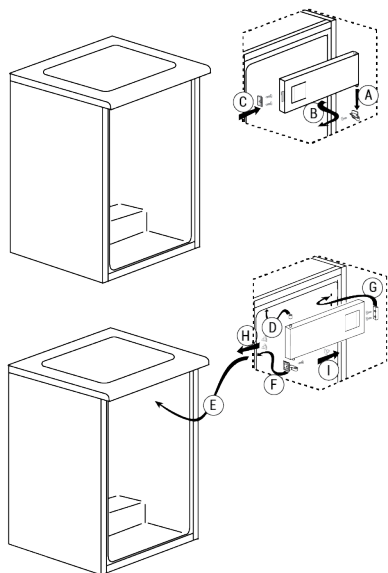
5.3 Klimaklasse und Definitionen

Bitte beachten Sie die Klimaklasse auf dem Typenschild Ihres Geräts. Je nach Klimaklasse ist eine der folgenden Informationen auf Ihr Gerät anwendbar.

- **SN** Langfristig gemäßigtes Klima: Dieses Kühlgerät ist für den Einsatz bei Umgebungstemperaturen zwischen 10 °C und 32 °C ausgelegt.
- **N**: Gemäßigtes Klima: Dieses Kühlgerät ist für den Einsatz bei Umgebungstemperaturen zwischen 16°C und 32 °C ausgelegt.
- **ST**: Subtropisches Klima: Dieses Kühlgerät ist für den Einsatz bei Umgebungstemperaturen zwischen 16°C und 38°C ausgelegt.
- **T**: Tropisches Klima: Dieses Kühlgerät ist für den Einsatz bei Umgebungstemperaturen zwischen 16°C und 43°C ausgelegt.

6 Ändern der Türrichtung





7 Produktbedienung

Lesen Sie zuerst die „Sicherheitshinweise“!

- Das Produkt sollte nur zur Aufbewahrung von Lebensmitteln verwendet werden.
- Wenn Sie längere Zeit nicht zu Hause sind (z. B. im Urlaub) und weder den Eiswürfelbereiter noch den Wasserspender benutzen, drehen Sie den Wasserhahn zu. Andernfalls kann es zu einem Wasserleck kommen.
- Aufgrund des Herstellungsprozesses und der materialbedingten Eigenschaften können bei Edelstahloberflächen gering-

fügte Abweichungen im Glanz auftreten. Dies ist normal und beeinträchtigt die Produktleistung nicht.

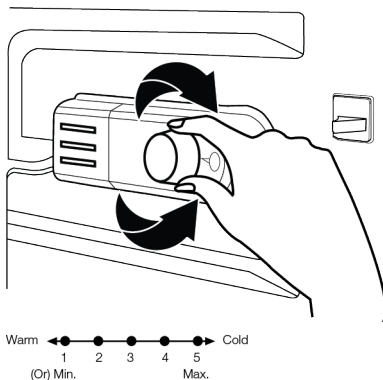
Produktabschaltung

- Entfernen Sie die Lebensmittel, um Geruchs- und Gärungsbildung zu vermeiden.
- Warten Sie, bis das Eis geschmolzen ist, reinigen Sie den Innenraum und lassen Sie ihn trocknen. Lassen Sie dabei die Türen offen, um Beschädigungen der Kunststoffteile im Innenraum zu vermeiden.

8 Verwendung des Geräts

8.1 Einstellung der Betriebstemperatur

Die Betriebstemperatur wird über den Temperaturregler eingestellt.



Warm ← 1 2 3 4 5 → Cold
(Or) Min. Max.

1=Niedrigste Kühleinstellung (wärmste Einstellung)

5=Höchste Kühleinstellung (kälteste Einstellung)

oder

Min. = Niedrigste Kühleinstellung

(wärmste Einstellung)

Max. = Höchste Kühleinstellung

(kälteste Einstellung)

Die durchschnittliche Temperatur im Inneren des Kühlfachs sollte etwa +5°C betragen.

Bitte wählen Sie eine Einstellung, die der gewünschten Temperatur entspricht.

Bitte beachten Sie, dass im Kühlbereich unterschiedliche Temperaturen herrschen werden.

Die kälteste Zone befindet sich direkt über dem Kühlfach.

Die Innentemperatur hängt auch von der Umgebungstemperatur, der Häufigkeit, mit der die Tür geöffnet wird, und der Menge der darin gelagerten Lebensmittel ab.

Häufiges Öffnen der Tür lässt die Innentemperatur ansteigen.

Es wird daher empfohlen, die Tür nach der Benutzung so schnell wie möglich zu schließen.

Verwendung der Innenfächer

Bewegliche Regale: Der Abstand zwischen den Einlegeböden kann nach Bedarf eingestellt werden.

Gemüseschublade: In diesem Fach können Gemüse und Obst lange gelagert werden, ohne zu verderben.

Flaschenablage: Flaschen, Gläser und Dosen können auf diese Fächer gestellt werden.

Lebensmittellagerung

Das Kühlfach ist für die kurzfristige Aufbewahrung von frischen Lebensmitteln und Getränken vorgesehen.

Lagern Sie Milchprodukte in dem dafür vorgesehenen Fach des Kühlschranks.

Flaschen können im Flaschenhalter oder auf der Flaschenablage in der Tür gelagert werden.

Rohes Fleisch bewahren Sie am besten in einem Polyethylenbeutel im untersten Fach des Kühlschranks auf.

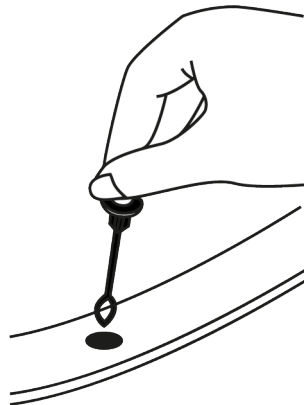
Lassen Sie heiße Speisen und Getränke auf Raumtemperatur abkühlen, bevor Sie sie in den Kühlschrank stellen.

• Achtung:

Bewahren Sie konzentrierten Alkohol nur aufrecht und fest verschlossen auf.

• Achtung:

Bewahren Sie keine explosiven Stoffe oder Behälter mit brennbaren Treibgasen (Dosen, Spraydosen usw.) im Gerät auf. Es besteht Explosionsgefahr.

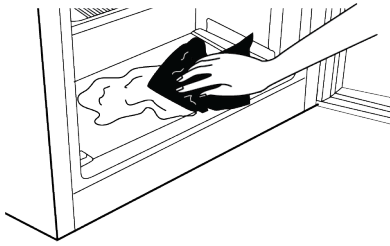


Abtauen

Die Abtauung des Kühlfachs erfolgt automatisch. Das abgetaute Wasser fließt durch die Ablaufrinne in einen Auffangbehälter an der Rückseite des Geräts.

Während des Abtauens bilden sich durch den Verdampfer Wassertropfen an der Rückseite des Kühlschranks.

Wenn die Tropfen nicht alle nach unten abfließen, können sie nach dem Abtauen wieder gefrieren. Reinigen Sie sie mit einem in warmem Wasser getränkten Tuch, aber niemals mit einem harten oder scharfen Gegenstand.



8.2 Auswechseln der Beleuchtungslampe

Rufen Sie den autorisierten Kundendienst an, wenn die Glühbirne/LED für die Beleuchtung Ihres Kühlschranks ausgetauscht werden soll.

Die in diesem Gerät verwendeten Lampen können nicht für die Hausbeleuchtung verwendet werden. Die beabsichtigte Verwendung dieser Lampe soll dem Benutzer helfen, Lebensmittel sicher und bequem in den Kühl- / Gefrierschrank zu stellen.

DE

9 Wartung und Reinigung

Lesen Sie zuerst die „Sicherheitshinweise“!

- Ziehen Sie vor der Reinigung den Netzstecker des Geräts.
- Der Staub am Lüftungsgitter auf der Rückseite des Produkts sollte mindestens einmal jährlich (ohne den Deckel zu öffnen) entfernt werden. Verwenden Sie dazu ein trockenes Tuch.
- Achten Sie darauf, dass kein Wasser in das Lampengehäuse und andere elektrische Bauteile gelangt.
- Reinigen Sie die Tür mit einem feuchten Tuch. Entfernen Sie den gesamten Inhalt, um die Tür- und Korpusablagen herauszunehmen. Heben Sie die Türablagen nach oben an, um sie zu entnehmen. Nach der Reinigung und dem Trocknen schieben Sie sie von oben nach unten wieder an ihren Platz.
- Verwenden Sie niemals chlorhaltiges Wasser oder Reinigungsmittel zur Reinigung der Außenfläche des Produkts oder verchromter Teile. Chlor verursacht Rost auf diesen Metalloberflächen.
- Um zu verhindern, dass sich die Aufdrucke auf dem Kunststoffteil ablösen oder verformen, verwenden Sie keine scharfen, scheuernden Werkzeuge, Seife, Haushaltsreiniger, Reinigungsmittel, Benzin, Poliermittel usw. Zur Reinigung verwenden Sie ein weiches Tuch mit lauwarmem Wasser und trocknen Sie es anschließend ab.
- Bei Produkten ohne No-Frost-Technologie bilden sich Wassertropfen und bis zu fingerdicker Frost an der Rückwand des Kühlfachs. Reinigen Sie diese Stelle nicht und tragen Sie keinesfalls Öl oder ähnliche Substanzen auf.
- Verwenden Sie zum Reinigen der Außenfläche des Produkts ausschließlich ein leicht angefeuchtetes Mikrofasertuch. Schwämme und andere Reinigungstücher können Kratzer verursachen.
- Reinigen Sie die Innenflächen des Produkts, indem Sie alle abnehmbaren Teile mit einer milden Seifenlauge und etwas Backpulver abwaschen. Gründlich abspülen und vollständig trocknen lassen. Achten Sie darauf, dass kein Wasser in die Beleuchtung und das Bedienfeld eindringt.
- Verwenden Sie auf keiner Innenfläche Essig, Reinigungsalkohol oder andere alkoholhaltige Reinigungsmittel.

Außenflächen aus Edelstahl

Verwenden Sie einen nicht scheuernden Edelstahlreiniger und tragen Sie ihn mit einem fusselfreien, weichen Tuch auf. Zum Polieren wischen Sie die Oberfläche vorsichtig mit einem mit Wasser angefeuchteten Mikrofasertuch ab und verwenden anschließend ein trockenes Polierpad. Polieren Sie dabei stets in Richtung der Edelstahlmaserung.

Vorbeugung von unangenehmen Gerüchen

Bei der Herstellung Ihres Produkts werden keine geruchsbildenden Substanzen verwendet. Dennoch können Gerüche durch unsachgemäße Lagerung der Lebensmittel oder unzureichende Reinigung der Innenflächen des Produkts entstehen.

- Um dieses Problem zu vermeiden, reinigen Sie die Stelle alle 15 Tage mit Natronwasser.

- Lebensmittel sollten in verschlossenen Behältern aufbewahrt werden, da Mikroorganismen, die von offenen Lebensmitteln freigesetzt werden, unangenehme Gerüche verursachen können.
- Bewahren Sie niemals abgelaufene oder verdorbene Lebensmittel in Ihrem Produkt auf.

Schutz von Kunststoffoberflächen

Sollte Öl auf Kunststoffoberflächen gelangen, reinigen Sie diese sofort mit warmem Wasser, da das Öl die Oberfläche beschädigen kann.

10 Fehlerbehebung

Lesen Sie zuerst die „Sicherheitshinweise“. Prüfen Sie diese Liste, bevor Sie sich an den Kundendienst wenden. So sparen Sie Zeit und Geld. Diese Liste enthält häufige Beanstandungen, die nicht auf Verarbeitungs- oder Materialfehler zurückzuführen sind. Bestimmte hier aufgeführte Merkmale treffen möglicherweise nicht auf Ihr Produkt zu.

Wenn das Problem nach Befolgen der Anweisungen in diesem Abschnitt weiterhin besteht, wenden Sie sich an Ihren Händler oder einen autorisierten Kundendienst. Versuchen Sie nicht, das Gerät zu reparieren.

Der Kühlschrank funktioniert nicht.

- Der Netzstecker ist nicht vollständig eingesteckt. >>> Stecken Sie den Stecker vollständig in die Steckdose.
- Die Sicherung in der Steckdose, die das Produkt mit Strom versorgt, oder die Hauptsicherung ist durchgebrannt. >>> Prüfen Sie die Sicherung.

Kondenswasser an der Seitenwand des Kühlfachs (MULTI ZONE, COOL CONTROL und FLEXI ZONE).

- Die Tür wird zu häufig geöffnet. >>> Achten Sie darauf, die Tür des Geräts nicht zu häufig zu öffnen.
- Die Umgebung ist zu feucht. >>> Stellen Sie das Gerät nicht in feuchten Umgebung auf.

- Flüssigkeitshaltige Lebensmittel werden in unverschlossenen Behältern aufbewahrt. >>> Bewahren Sie die Lebensmittel, die Flüssigkeiten enthalten, in versiegelten Behältern auf.
- Die Tür des Geräts steht offen. >>> Lassen Sie die Tür des Geräts nicht für längere Zeit offen.
- Der Thermostat ist auf eine sehr kühle Temperatur eingestellt. >>> Stellen Sie den Thermostat auf eine angemessene Temperatur ein.

Der Kompressor funktioniert nicht.

- Bei einem plötzlichen Stromausfall oder wenn der Netzstecker gezogen und wieder eingesteckt wird, ist der Gasdruck im Kühlsystem des Geräts nicht ausgeglichen, wodurch die thermische Sicherung des Kompressors ausgelöst wird. Das Gerät schaltet sich nach etwa 6 Minuten wieder ein. Wenn das Gerät nach diesem Zeitraum nicht wieder anläuft, wenden Sie sich an den Kundendienst.
- Die Abtaugung ist aktiv. >>> Dies ist normal für ein vollautomatisches Abtaugungsprodukt. Die Abtaugung wird regelmäßig durchgeführt.
- Das Gerät ist nicht eingesteckt. >>> Vergewissern Sie sich, dass das Netzkabel eingesteckt ist.
- Die Temperatur ist falsch eingestellt. >>> Wählen Sie die richtige Temperatureinstellung.

- Der Strom ist ausgefallen. >>> Das Gerät arbeitet normal weiter, sobald die Stromversorgung wiederhergestellt ist.

Das Betriebsgeräusch des Kühlschranks nimmt während des Betriebs zu.

- Die Betriebsleistung des Geräts kann je nach den Schwankungen der Umgebungstemperatur variieren. Dies ist normal und stellt keine Fehlfunktion dar.

Der Kühlschrank läuft zu oft oder zu lange.

- Das neue Gerät ist möglicherweise größer als das vorherige. Größere Produkte sind länger in Betrieb.
- Die Raumtemperatur ist möglicherweise zu hoch. >>> Das Gerät läuft normalerweise über längere Zeit bei höherer Raumtemperatur.
- Das Gerät wurde möglicherweise vor kurzem eingesteckt oder es wurde ein neues Lebensmittel hineingelegt. >>> Das Gerät braucht länger, um die eingestellte Temperatur zu erreichen, wenn es kürzlich eingesteckt wurde oder ein neues Lebensmittel hineingelegt wurde. Das ist normal.
- Möglicherweise wurden kürzlich große Mengen heißer Lebensmittel in das Gerät gelegt. >>> Legen Sie keine heißen Lebensmittel in das Gerät.
- Die Türen wurden häufig geöffnet oder für längere Zeit offen gehalten. >>> Die warme Luft, die sich im Inneren bewegt, lässt das Gerät länger laufen. Öffnen Sie die Türen nicht zu häufig.
- Die Tür des Gefrier- oder Kühlgeräts ist möglicherweise angelehnt. >>> Vergewissern Sie sich, dass die Türen vollständig geschlossen sind.
- Das Gerät ist möglicherweise auf eine zu niedrige Temperatur eingestellt. >>> Stellen Sie die Temperatur auf eine höhere Stufe und warten Sie, bis das Produkt die eingestellte Temperatur erreicht hat.
- Die Türdichtung des Kühl- oder Gefrierschranks ist möglicherweise verschmutzt, abgenutzt, kaputt oder nicht richtig eingesetzt. >>> Reinigen oder er-

setzen Sie die Dichtung. Eine beschädigte/gerissene Türdichtung führt dazu, dass das Gerät länger laufen muss, um die aktuelle Temperatur zu halten.

Die Temperatur des Gefrierfachs ist sehr niedrig, aber die Temperatur des Kühlfachs ist ausreichend.

- Die Temperatur des Gefrierfachs ist auf eine sehr niedrige Temperatur eingestellt. >>> Stellen Sie die Temperatur des Gefrierfachs auf eine höhere Stufe und prüfen Sie erneut.

Die Temperatur im Kühlfach ist sehr niedrig, aber die Temperatur im Gefrierfach ist ausreichend.

- Die Temperatur des Kühlfachs ist sehr niedrig eingestellt. >>> Stellen Sie die Temperatur des Kühlfachs auf eine höhere Temperatur ein und überprüfen Sie sie erneut.

Die Lebensmittel in den Schubladen des Kühlfachs sind gefroren.

- Die Temperatur des Kühlfachs ist sehr niedrig eingestellt. >>> Stellen Sie die Temperatur des Kühlfachs auf eine höhere Temperatur ein und überprüfen Sie sie erneut.

Die Temperatur im Kühl- oder Gefrierfach ist zu hoch.

- Die Kühlfachtemperatur ist sehr hoch eingestellt. >>> Die Temperatureinstellung des Kühlfachs wirkt sich auf die Temperatur im Gefrierfach aus. Warten Sie, bis die Temperatur der betreffenden Teile ein ausreichendes Niveau erreicht hat, indem Sie die Temperatur der Kühl- oder Gefrierfächer ändern.
- Die Türen wurden häufig geöffnet oder für längere Zeit offen gehalten. >>> Öffnen Sie die Türen nicht zu häufig.
- Die Tür kann angelehnt sein. >>> Schließen Sie die Tür vollständig.
- Das Gerät wurde möglicherweise vor kurzem eingesteckt oder es wurde ein neues Lebensmittel hineingelegt. >>> Das ist normal. Das Gerät braucht länger, um die eingestellte Temperatur zu erreichen,

wenn es kürzlich eingesteckt wurde oder ein neues Lebensmittel hineingelegt wurde.

- Möglicherweise wurden kürzlich große Mengen heißer Lebensmittel in das Gerät gelegt. >>> Legen Sie keine heißen Lebensmittel in das Gerät.

Schütteln oder Geräusche.

- Der Untergrund ist nicht eben oder nicht stabil >>> Wenn das Produkt bei langsamer Bewegung wackelt, stellen Sie die Ständer ein, um das Produkt auszubalancieren. Vergewissern Sie sich auch, dass der Boden ausreichend stabil ist, um das Gerät zu tragen.
- Auf dem Gerät abgestellte Gegenstände können Geräusche verursachen. >>> Entfernen Sie alle auf dem Gerät abgestellten Gegenstände.
- Das Gerät macht Geräusche von fließenden, spritzenden Flüssigkeiten usw.
- Die Funktionsweise des Produkts beinhaltet Flüssigkeits- und Gasströme. >>> Dies ist normal und stellt keine Fehlfunktion dar.

Aus dem Gerät kommt ein Windgeräusch.

- Das Produkt verwendet einen Ventilator für den Kühlprozess. Dies ist normal und stellt keine Fehlfunktion dar.

An den Innenwänden des Produkts bildet sich Kondenswasser.

- Heißes oder feuchtes Wetter führt zu verstärkter Vereisung und Kondensation. Dies ist normal und stellt keine Fehlfunktion dar.
- Die Türen wurden häufig geöffnet oder für längere Zeit offen gehalten. >>> Öffnen Sie die Türen nicht zu häufig; wenn sie offen sind, schließen Sie die Tür.
- Die Tür kann angelehnt sein. >>> Schließen Sie die Tür vollständig.

An der Außenseite des Geräts oder zwischen den Türen bildet sich Kondenswasser.

- Die Umgebungsluft kann feucht sein, dies ist bei feuchtem Wetter ganz normal. >>> Das Kondenswasser wird sich auflösen, wenn die Luftfeuchtigkeit reduziert wird.

Der Innenraum riecht schlecht.

- Das Produkt wird nicht regelmäßig gereinigt. >>> Reinigen Sie den Innenraum regelmäßig mit einem Schwamm, warmem Wasser und kohlenstoffhaltigem Wasser.
- Bestimmte Halterungen und Verpackungsmaterialien können Geruch verursachen. >>> Verwenden Sie geruchsneutrale Halterungen und Verpackungsmaterialien.
- Die Lebensmittel wurden in nicht verschlossenen Behältern gelagert. >>> Lagern Sie die Lebensmittel in geschlossenen Behältern. Mikroorganismen können auf unverschlossene Lebensmittel überspringen und unangenehme Gerüche verursachen.
- Entfernen Sie alle abgelaufenen oder verdorbenen Lebensmittel aus dem Gerät.

Die Tür schließt nicht.

- Lebensmittelverpackungen können die Tür blockieren. >>> Entfernen Sie alle Gegenstände, die die Türen blockieren.
- Das Gerät steht nicht ganz aufrecht auf dem Boden. >>> Stellen Sie die Ständer so ein, dass das Gerät im Gleichgewicht ist.
- Die Oberfläche ist nicht eben oder nicht stabil >>> Vergewissern Sie sich, dass die Oberfläche eben und ausreichend stabil ist, um das Produkt zu tragen.

Das Gemüsefach ist eingeklemmt.

- Die Lebensmittel können mit dem oberen Teil der Schublade in Kontakt sein. >>> Ordnen Sie die Lebensmittel in der Schublade neu an.

Temperatur auf der Oberfläche des Produkts.

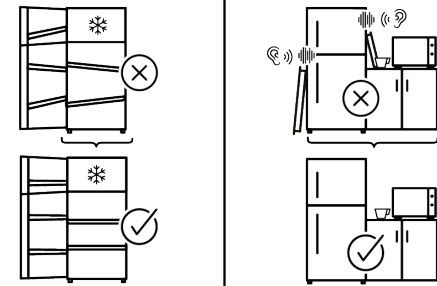
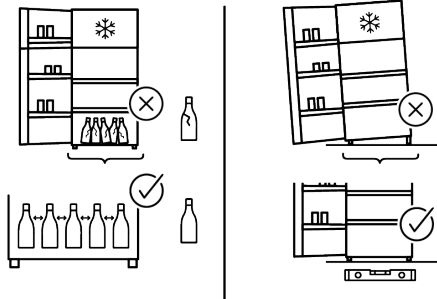
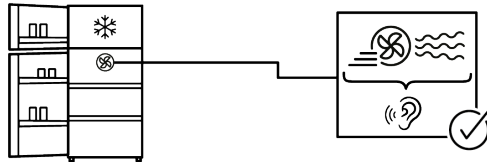
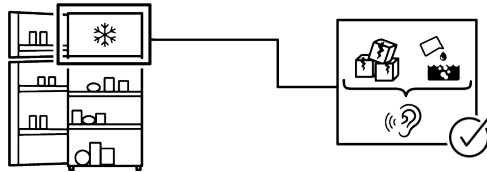
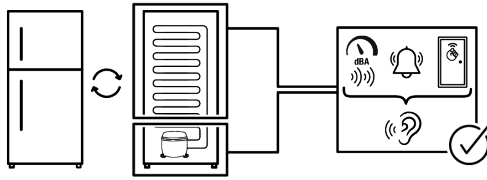
- Während des Betriebs Ihres Geräts kann zwischen zwei Türen, an den Seitenwänden und im hinteren Grillbereich eine hohe Temperatur festgestellt werden. Dies ist normal und erfordert keine Wartung.

Das Gebläse läuft weiter, wenn die Tür geöffnet wird.

- Das Gebläse kann weiterlaufen, wenn die Gefrierschranktür geöffnet ist.

Wenn das Problem nach Befolgen der Anweisungen in diesem Abschnitt weiterhin besteht, wenden Sie sich an Ihren Händler oder einen autorisierten Kundendienst. Versuchen Sie nicht, das Gerät zu reparieren. Das ist normal.

DE



HAFTUNGSAUSSCHLUSS

Einige (einfache) Störungen können vom Endbenutzer in angemessener Weise behoben werden, ohne dass Sicherheitsprobleme oder eine unsichere Verwendung auftreten, vorausgesetzt, sie werden innerhalb der Grenzen und in Übereinstimmung mit den folgenden Anweisungen durchgeführt (siehe Abschnitt "Selbstreparatur").

Sofern im Abschnitt "Selbstreparatur" nichts anderes angegeben ist, müssen Reparaturen von registrierten Fachwerkstätten durchgeführt werden, um Sicherheitsprobleme zu vermeiden. Eine registrierte professionelle Reparaturwerkstatt ist eine professionelle Reparaturwerkstatt, die vom Hersteller gemäß den in den Rechtsakten gemäß der Richtlinie 2009/125/EG beschriebenen Methoden Zugang zu den Anweisungen und der Ersatzteilliste dieses Produkts erhalten hat.

Allerdings darf nur der Kundendienst (d.h. die autorisierte Fachwerkstatt), den Sie über die in der Bedienungsanleitung/Garantiekarte angegebene Telefonnummer oder über Ihren Vertragshändler erreichen können, Serviceleistungen im Rahmen der Garantiebedingungen erbringen. Bitte beachten Sie daher, dass bei Reparaturen durch professionelle (die nicht autorisiert sind durch)BauknechtReparateure die Garantie erlischt.

Selbstreparatur

Folgende Ersatzteile können durch den Endverbraucher allein repariert werden: Türgriffe, Türscharniere, Schalen, Körbe und Türdichtungen (eine aktualisierte Liste ist ab dem 1. März 2021 ebenfalls <https://parts-selfservice.europeanappliances.com> verfügbar).

Um die Sicherheit des Produkts zu gewährleisten und die Gefahr schwerer Verletzungen zu vermeiden, müssen die erwähnten Selbstreparaturen gemäß den Anweisungen in der Bedienungsanleitung für die Selbstreparatur durchgeführt werden, die in [ces.com verfügbar sind. Ziehen Sie zu Ihrer Sicherheit den Netzstecker, bevor Sie versuchen, das Gerät selbst zu reparieren.](https://parts-selfservice.europeanapplian-</p></div><div data-bbox=)

Reparatur- und Instandsetzungsversuche durch den Endbenutzer für Teile, die nicht in dieser Liste enthalten sind, und/oder die nicht gemäß den Anweisungen in den Benutzerhandbüchern für die Selbstreparatur oder den in der <https://parts-selfservice.europeanappliances.com> verfügbaren Anweisungen durchgeführt werden, können zu Sicherheitsproblemen führen, die nicht der Bauknecht zuzuschreiben sind, und machen die Garantie des Produkts ungültig. Daher wird den Endnutzern dringend empfohlen, von Reparaturversuchen abzusehen, die nicht in der genannten Ersatzteilliste aufgeführt sind, und sich in solchen Fällen an autorisierte Fachreparaturbetriebe oder registrierte Fachreparaturbetriebe zu wenden. Im Gegenteil, solche Versuche können Sicherheitsprobleme verursachen und das Produkt beschädigen und in der Folge Feuer, Überschwemmungen, Stromschläge und schwere Personenschäden hervorrufen. Beispielsweise müssen die folgenden Reparaturen von autorisierten Fachwerkstätten oder registrierten Fachwerkstätten durchgeführt werden: Kompressor, Kühlkreislauf, Hauptplatine, Inverterplatine, Displayplatine usw.

Der Hersteller/Verkäufer kann in keinem Fall haftbar gemacht werden, wenn der Endverbraucher die oben genannten Punkte nicht beachtet.

Die Ersatzteilverfügbarkeit des von Ihnen gekauften Kühlschranks beträgt 10 Jahre, während dieser Zeit sind Originalersatzteile für den ordnungsgemäßen Betrieb des Kühlschranks verfügbar.

Die Mindestgarantiedauer für den von Ihnen gekauften Kühlschrank beträgt 24 Monate.

Dieses Produkt ist mit einer Lichtquelle der Energieklasse "G" ausgestattet.

Die Lichtquelle in diesem Produkt darf nur von einer professionellen Reparaturwerkstatt ausgetauscht werden.

Siehe auch

2 CLAUSE DE NON-RESPONSABILITÉ
[] 53]

DE

Cortesemente leggi prima questo manuale!

Gentile Cliente,

Ti ringraziamo per aver scelto questo prodotto .

Vorremmo che il prodotto, che è stato realizzato con la tecnologia più avanzata, ti possa offrire l'efficienza ottimale. Per questo, prima di utilizzare il prodotto leggere attentamente questo manuale e qualsiasi altra documentazione fornita.

Presta particolare attenzione alle informazioni e alle avvertenze contenute nel manuale utente. In questo modo proteggerai te stesso e il tuo prodotto da possibili pericoli. Conserva il manuale utente. Se si dovesse trasferire il prodotto a qualcun altro, non dimenticare di includere questo manuale.


Nel manuale d'uso e sul prodotto sono utilizzati i seguenti simboli:



Leggi il manuale utente.



Pericolo che potrebbe causare morte o lesioni.

| | |
|---|---|
|  SUPPLIER'S NAME A MODEL IDENTIFIER → (*) A | Le informazioni sul modello memorizzate nella banca dati del prodotto possono essere ottenute entrando nel seguente sito web e cercando il proprio identificatore di modello (*) che si trova sull'etichetta energetica. https://eprel.ec.europa.eu/ |
|---|---|

Indice

| | |
|---|------------|
| 1 Istruzioni di sicurezza | 86 |
| 1.1 Simboli importanti per la sicurezza | 86 |
| 1.2 Uso previsto | 86 |
| 1.3 Sicurezza dei bambini, dei disabili e degli animali domestici | 87 |
| 1.4 Sicurezza elettrica | 87 |
| 1.5 Manipolazione in sicurezza | 88 |
| 1.6 Installazione in sicurezza | 89 |
| 1.7 Funzionamento in sicurezza | 92 |
| 1.8 Sicurezza nella conservazione degli alimenti | 95 |
| 1.9 Manutenzione e pulizia in sicurezza | 96 |
| 1.10 Illuminazione | 96 |
| 1.11 Smaltimento del vecchio prodotto | 97 |
| 2 Istruzioni relative all'ambiente | 97 |
| 2.1 Conformità con la direttiva WEEE e con la normativa sullo smaltimento dei prodotti di scarico. | 97 |
| 3 Il vostro frigorifero | 98 |
| 4 Installazione | 98 |
| 4.1 Luogo idoneo per l'installazione... | 99 |
| 4.2 Fissaggio dei cunei in plastica | 99 |
| 4.3 Regolazione delle gambe | 99 |
| 4.4 Avvertenza: superficie calda | 99 |
| 5 Preparazione | 99 |
| 5.1 Cosa fare per risparmiare energia | 100 |
| 5.2 Primo utilizzo | 100 |
| 5.3 Classe climatica e definizioni | 100 |
| 6 Cambio della direzione della porta . | 101 |
| 7 Funzionamento del prodotto | 101 |
| 8 Uso dell'apparecchio | 101 |
| 8.1 Impostazione della temperatura di funzionamento | 101 |
| 8.2 Sostituzione della lampada | 103 |
| 9 Manutenzione e pulizia | 103 |
| 10 Guida alla risoluzione dei problemi. | 104 |


1 Istruzioni di sicurezza


- Questa sezione include le istruzioni sulla sicurezza necessarie per evitare il rischio di lesioni personali e danni materiali.
- La nostra azienda non è da ritenersi responsabile per i danni causati dall'inosservanza delle presenti istruzioni.
- Fare sempre eseguire le operazioni di installazione e riparazione dal produttore, dall'assistenza autorizzata o da una persona che verrà descritta dalla società importatrice.
- Servirsi unicamente di pezzi di ricambio e accessori originali.
- Non riparare o sostituire alcun componente del prodotto a meno che ciò non venga chiaramente specificato nel manuale utente.
- Non eseguire modifiche sul prodotto.


1.1 Simboli importanti per la sicurezza

 Rischio di scossa elettrica!

 Leggi il manuale utente.

 Pericolo che può portare ad ustioni a causa del contatto con superfici calde.

 Materiale combustibile, avvertenza sul rischio di incendio.

 Rischio di lesioni a causa del contatto con superficie affilate!

 Rischio di radiazioni UV-C

1.2 Uso previsto

- Questo prodotto non è adatto all'uso commerciale e non dovrebbe essere usato per scopi diversi da quelli previsti.
- Questo prodotto è destinato ad ambienti d'uso interni, come le abitazioni o i luoghi simili.

Ad esempio:

Nelle cucine del personale di negozi, uffici e altri ambienti di lavoro,

Nelle caschine,

Nelle unità di alberghi, motel o altre strutture di riposo utilizzate dai clienti,

In ostelli o ambienti simili,

Nei servizi di catering e similari, purché in scenari non retail.

- Questo prodotto non deve essere utilizzato in ambienti esterni aperti o chiusi, come navi, camper, balconi o terrazze. L'esposizione del prodotto a pioggia, neve, luce solare e vento potrebbe causare rischi di incendio.



1.3 Sicurezza dei bambini, dei disabili e degli animali domestici

- Questo prodotto può essere utilizzato da bambini dagli 8 anni in su e da persone con capacità fisiche, sensoriali o mentali insufficienti o prive di esperienza e conoscenza purché supervisionati o abbiano ricevuto istruzioni sull'uso dell'apparecchio in modo sicuro e sui relativi pericoli connessi.
- I bambini tra i 3 e gli 8 anni sono autorizzati a mettere ed estrarre cibo da/nel prodotto raffreddato.
- I bambini e gli animali domestici non devono giocare, salire o entrare nel prodotto.
- I bambini e gli animali domestici devono essere tenuti lontani dalla zona cabina (compressore) dove sono ubicate le parti elettriche.
- Gli interventi di pulizia e manutenzione non devono essere eseguiti dai bambini a meno che sotto la supervisione di una persona adulta.
- Tenere i materiali di imballaggio lontano dalla portata dei bambini. Pericolo di lesioni e soffocamento.

- Se la porta del prodotto dispone di serratura, tenere la chiave fuori dalla portata dei bambini.



1.4 Sicurezza elettrica

- Durante le operazioni di installazione, manutenzione, pulizia, riparazione e trasporto, il prodotto non deve essere collegato alla presa di corrente.
- Se il cavo di alimentazione è danneggiato, deve essere sostituito da una persona inviata dal produttore, dal fornitore di servizi autorizzato o dall'importatore per prevenire ogni potenziale pericolo.
- Non infilare il cavo di alimentazione sotto il prodotto o sul retro del prodotto. Non appoggiare oggetti pesanti sul cavo di alimentazione. Il cavo di alimentazione non deve essere piegato, schiacciato e non deve venire a contatto con alcuna fonte di calore.
- Utilizzare solo un cavo originale. Non utilizzare cavi tagliati o danneggiati.
- Non utilizzare prolunghe, multiple o adattatori per azionare il prodotto.
- Le multi prese portatili o gli alimentatori portatili potrebbero surriscaldarsi e causare incendi. Pertanto, non disporre una

presa multipla, fonti di alimentazioni portatili dietro o nelle vicinanze del prodotto.

- Prima di collegare il prodotto alla fonte di alimentazione, rimuovere il cavo di alimentazione dal gancio del condensatore (se disponibile) durante l'installazione.
- L'utente non deve poter raggiungere le parti elettriche dopo l'installazione.
- Non inserire il cavo di alimentazione del prodotto in una presa di corrente allentata o danneggiata. Questi tipi di collegamenti potrebbero causare surriscaldamento e incendi.
- La spina deve essere facilmente accessibile. Se ciò non è possibile, sull'impianto elettrico deve essere disponibile un meccanismo che soddisfi la regolamentazione in materia di elettricità e che scolleghi tutti i terminali dalla rete elettrica (fusibile, interruttore, interruttore principale, ecc.).
- Il prodotto non deve essere utilizzato con un dispositivo di commutazione esterno come un timer o un sistema telecomandato.
- Non utilizzare il prodotto quando i piedi sono nudi o il corpo è bagnato.

- Non toccare la spina con le mani bagnate.
- Quando si scollega l'apparecchio, non farlo per il cavo di alimentazione, ma dalla spina.
- Assicurarsi che la spina non sia bagnata, sporca o impolverata.
- Non collegare mai il prodotto a dispositivi di risparmio energetico. Questi sistemi sono dannosi per il prodotto.



1.5 Manipolazione in sicurezza

- Prima di trasportare il prodotto, assicurarsi di scollegare l'apparecchio.
- Il prodotto è pesante, non maneggiarlo da soli. La caduta del prodotto potrebbe provocare lesioni. Non urtare o far cadere il prodotto durante il trasporto.
- Chiudere sempre le porte e non tenere il prodotto dalle porte durante il trasporto.
- Fare attenzione a non danneggiare il sistema di raffreddamento e le tubazioni durante la manipolazione del prodotto. Non azionare il prodotto se i tubi sono danneggiati e contattare il servizio di assistenza autorizzato.



1.6 Installazione in sicurezza

- Per preparare il prodotto all'uso, consultare le informazioni contenute nel manuale d'uso e installazione e accertarsi che le utenze elettriche e idriche siano conformi a quanto necessario. In caso contrario, chiamare un elettricista qualificato e un idraulico per sistemare le utenze come necessario.
- **Il non rispetto di tali istruzioni potrebbe aumentare il rischio di scosse elettriche, incendi, danni al prodotto o lesioni.**
- Prima di iniziare l'installazione, spegnere il fusibile per togliere tensione alla linea elettrica a cui è collegato il prodotto.
- Il prodotto deve essere installato da due o più persone. Utilizzare guanti protettivi quando si rimuovono il prodotto dalla confezione e durante l'installazione.
- Questo prodotto è progettato per l'uso in aree ad un massimo di 2000 metri sul livello del mare.
- Tenere i bambini lontani dall'area di installazione.
- Controllare che non vi siano danni al prodotto prima di installarlo. Non far installare il prodotto se è danneggiato.
- Utilizzare sempre i dispositivi di protezione individuale (guanti, ecc.) durante l'installazione, la manutenzione e la riparazione del prodotto. Rischio di lesioni.
- Non installare o lasciare il prodotto in luoghi in cui può essere esposto a temperature ambiente esterne.
- Posizionare il prodotto su una superficie pulita, piana e dura e bilanciarlo con le gambe regolabili (ruotando i piedini anteriori a destra o a sinistra). In caso contrario, il frigorifero potrebbe ribaltarsi e causare lesioni.
- Procedere con cautela per evitare di danneggiare i pavimenti (piastrelle, ecc.) durante lo spostamento del prodotto. Installare il prodotto su un pavimento o fornire un supporto sufficiente a seconda delle dimensioni, del peso e del caso d'uso del prodotto. Assicurarsi che il prodotto non sia vicino a una fonte di calore e che tutti e quattro i piedini siano stabili e appoggiati al pavimento. Installare il prodotto come necessario e assicurarsi che sia orizzontale, utilizzando una livella a bolla. Per garantire la completa efficienza del circuit-

to refrigerante, attendere almeno due ore prima di azionare il prodotto.

- Il prodotto deve essere installato in un ambiente asciutto e ventilato. Non tenere tappeti, moquette, o coperture simili sotto il prodotto. In caso contrario, la ventilazione inadeguata potrebbe determinare un rischio di incendio!
- Non bloccare o coprire i fori di ventilazione. In caso contrario, il consumo di energia aumenta e il prodotto potrebbe danneggiarsi.
- Lasciare spazio sufficiente ai lati e sopra per garantire una ventilazione adeguata. Lo spazio tra il pannello posteriore e la parete dietro il prodotto deve essere di almeno 50 mm per evitare la formazione di superfici calde. Una riduzione di questo spazio aumenterà il consumo energetico del prodotto.
- Quando si posiziona il prodotto, assicurarsi che il cavo di alimentazione non sia danneggiato o schiacciato.
- Il prodotto non deve essere collegato a sistemi di alimentazione e fonti di alimentazione che potrebbero causare sbalzi di tensione (ad esempio una fonte di energia solare portatile). In caso contrario, il prodotto potrebbe subire danni a causa delle brusche fluttuazioni di tensione!
- Più refrigerante contiene un frigorifero, più grande sarà lo spazio necessario per la sua installazione. In locali molto piccoli, in caso di perdita di gas nel sistema di raffreddamento potrebbe verificarsi una miscela gas-aria infiammabile. Per ogni 8 grammi di refrigerante è necessario almeno 1 m³ di volume. La quantità di refrigerante disponibile nel prodotto è specificata nella targhetta di identificazione.
- Il prodotto non deve mai essere posizionato in modo tale che i cavi di alimentazione, il tubo metallico del fornello a gas, i tubi metallici del gas o dell'acqua entrino in contatto con la parete posteriore del prodotto (o con il condensatore).
- Il luogo di installazione del prodotto non dovrà essere esposto alla luce diretta del sole e non dovrà essere nelle vicinanze di una fonte di calore come stufe, radiatori, ecc. Se non è possibile evitare l'installazione del prodotto in prossimità di una fonte di calore, utilizzare una piastra isolante adeguata

e assicurarsi che la distanza minima dalla fonte di calore sia quella specificata di seguito:

- Almeno 30 cm di distanza da fonti di calore come stufe, forni, radiatori, riscaldatori, ecc,
- Almeno 5 cm di distanza dai forni elettrici.
- Il prodotto ha la classe di protezione I.
- Inserire il prodotto in una presa con messa a terra conforme ai valori di tensione, corrente e frequenza specificati nella targhetta d'identificazione. La presa deve avere un fusibile da 10A - 16A. La nostra azienda non si assumerà alcuna responsabilità per gli eventuali danni dovuti ad un uso senza previa messa a terra e con collegamento elettrico non conforme alle normative locali e nazionali.
- Durante l'installazione, il cavo di alimentazione del prodotto deve essere scollegato. In caso contrario sussiste il pericolo di scosse elettriche e lesioni!
- Non collegare il prodotto a prese allentate, rotte, sporche o piene di grasso, che fuoriescono dalla mascherina o prese a contatto con l'acqua. Questi tipi di collegamenti potrebbero surriscaldarsi e causare incendi.
- Collocare il cavo di alimentazione e i tubi flessibili (se disponibili) del prodotto in modo che non comportino il rischio di inciampare.
- La penetrazione dell'umidità e liquidi nelle parti sotto tensione o nel cavo di alimentazione potrebbe causare un cortocircuito. Pertanto, non utilizzare il prodotto in ambienti umidi o in zone in cui l'acqua possa schizzare (ad esempio garage, lavanderia, ecc.) Se il frigorifero viene bagnato dall'acqua, staccare la spina e contattare il servizio di assistenza autorizzato.
- Non collegare mai il frigorifero a dispositivi di risparmio energetico. Questi sistemi sono dannosi per il prodotto.
- La rimozione del coperchio della scheda elettronica e del coperchio posteriore del compressore (se presente) comporta il rischio di contatto con parti elettriche. Non rimuovere il coperchio della scheda elettronica e il coperchio posteriore del compressore (se presente). Sussiste il rischio di elettrocuzione!



1.7 Funzionamento in sicurezza

- Non utilizzare mai solventi chimici sul prodotto. Questi materiali comportano un rischio di esplosione.
- In caso di guasto del prodotto, scollegarlo (o togliere tensione al fusibile a cui è collegato) e non utilizzarlo finché non viene riparato dall'assistenza autorizzata. In caso contrario, vi è il rischio di scossa elettrica!
- Non posizionare fiamme (candele accese, sigarette, ecc.) o fonti di calore (ferro da stiro, piano cottura, forno, ecc.) sopra o vicino al prodotto. Non posizionare materiali infiammabili/esplosivi vicino al prodotto...
- Non salire sul prodotto. Pericolo di caduta e lesioni!
- Non danneggiare i tubi dell'impianto di raffreddamento con attrezzi affilati e perforanti. Il refrigerante spruzzato fuori in caso di foratura dei tubi del gas, prolunghe o rivestimenti superficiali potrebbe causare irritazione della pelle e lesioni agli occhi.
- Non intervenire o danneggiare il circuito del liquido di raffreddamento. Rischio di esplosione.
- Non collocare e mettere in funzione apparecchi elettrici all'interno dei frigoriferi/congelatore, a meno che non sia stato consigliato dal produttore.
- Non utilizzare procedure diverse da quelle consigliate dal produttore per accelerare lo sbrinamento.
- Prestare la dovuta attenzione a non schiacciare alcuna parte delle mani o del corpo contro le parti mobili all'interno del prodotto. Fare attenzione a non incastrare le dita tra il frigorifero e la sua porta. Prestare attenzione durante l'apertura o la chiusura della porta in presenza di bambini.
- Non mettere in bocca gelati, cubetti di ghiaccio o cibi surgelati non appena tolti dal congelatore. Pericolo di congelamento!
- Non toccare con le mani bagnate le pareti interne, le parti metalliche del congelatore o gli alimenti conservati al suo interno. Pericolo di congelamento!
- Non collocare nello scomparto congelatore lattine o bottiglie contenenti liquidi che possono congelarsi. Lattine o bottiglie possono esplodere. Pericolo di lesioni e danni materiali!

- Non utilizzare o collocare materiali sensibili alla temperatura come spray infiammabili, oggetti infiammabili, ghiaccio secco o altri agenti chimici nelle vicinanze del frigorifero. Pericolo di incendio ed esplosione!
- Non conservare materiali esplosivi come bombolette spray assieme a materiali infiammabili all'interno del prodotto.
- Non collocare lattine aperte contenenti liquidi sopra il prodotto. Gli spruzzi d'acqua su una parte elettrica potrebbero causare scosse elettriche o incendi.
- A causa del rischio di rottura, non conservare contenitori di vetro con liquidi all'interno nel vano congelatore.
- Questo prodotto non è destinato allo stoccaggio e al raffreddamento di medicinali, plasma sanguigno, preparati o materiali di laboratorio e prodotti simili, soggetti a direttive sui prodotti medici.
- Se il prodotto viene utilizzato in modo non conforme alla sua destinazione, può causare danni o deterioramento dei prodotti conservati al suo interno.
- Se il frigorifero è dotato di luce blu, non guardare questa luce con dispositivi ottici. Non guardare direttamente la luce UV LED per lungo tempo. I raggi ultravioletti possono causare affaticamento visivo.
- Non riempire il prodotto più di quanto consentito dalla sua capacità. Non utilizzare procedure diverse da quelle consigliate dal produttore per accelerare lo sbrinamento. Potrebbero verificarsi lesioni o danni se il contenuto del frigorifero cade quando lo sportello è aperto. Problemi simili potrebbero verificarsi anche quando un oggetto viene posto sopra il prodotto.
- Assicurarsi di aver rimosso il ghiaccio o l'acqua che potrebbe essere caduta a terra per evitare lesioni.
- Cambiare la posizione dei ripiani/porta bottiglie sulla porta del frigorifero solo quando i ripiani sono vuoti. Pericolo di lesioni fisiche!
- Non appoggiare oggetti che potrebbero cadere/ribaltarsi sul prodotto. Questi oggetti potrebbero cadere durante l'apertura o la chiusura della porta e causare lesioni e/o danni materiali.

- Non urtare e non esercitare una pressione eccessiva sulle superfici di vetro. La rottura del vetro potrebbe causare lesioni e/o danni materiali.
- Per i prodotti progettati per utilizzare un filtro dell'aria all'interno di una copertura della ventola accessibile, il filtro deve essere sempre in posizione quando il frigorifero è in funzione.
- Non bloccare la ventola (se disponibile) con il cibo.
- Le guarnizioni danneggiate devono essere sostituite il prima possibile.
- Il prodotto potrebbe avere scomparti speciali (scomparto per alimenti freschi, scomparto per temperature zero ecc.) Salvo diversa indicazione nel manuale pertinente del prodotto, questi scomparti possono essere rimossi e il prodotto utilizzato con le stesse prestazioni.
- Il sistema di raffreddamento del prodotto contiene refrigerante R600a. Il tipo di refrigerante utilizzato nel prodotto è specificato nella targhetta d'identificazione. Questo gas è infiammabile. Pertanto, fare attenzione a non danneggiare il sistema di raffreddamento e le tubazioni durante il funzionamento del prodotto. In caso di danni alle tubazioni:
 1. Non toccare il prodotto o il cavo di alimentazione.
 2. Tenere il prodotto lontano da potenziali fonti di calore che potrebbero causare il surriscaldamento e l'incendio del prodotto.
 3. Assicurare la ventilazione dell'area in cui è collocato il prodotto. Non utilizzare un ventilatore.
 4. Contattare il servizio di assistenza autorizzato.Prima di smaltire i vecchi prodotti che non devono più essere utilizzati:
 1. Scollegare il cavo di alimentazione dalla presa di corrente.
 2. Tagliare il cavo di alimentazione e rimuoverlo dall'apparecchio insieme alla spina.
 3. Per evitare che i bambini entrino nell'apparecchio non rimuovere i ripiani e i cassetti dal prodotto.
 4. Rimuovere le porte.
 5. Conservare il prodotto in modo da non ribaltarlo.
 6. Non permettere ai bambini di giocare con il prodotto anche se vecchio e non più utilizzato.

7. Se il prodotto è danneggiato e si osservano perdite di gas, stare lontani dal gas. Il gas potrebbe causare congelamento se entra in contatto con la pelle.
- Non smaltire il prodotto gettandolo nel fuoco. Pericolo di esplosione.
- Se la porta del prodotto dispone di serratura, tenere la chiave fuori dalla portata dei bambini.



1.8 Sicurezza nella conservazione degli alimenti

Per evitare il deterioramento degli alimenti, si prega di prestare attenzione alle seguenti avvertenze:

- Lasciare gli sportelli aperti per molto tempo potrebbe fare aumentare la temperatura all'interno del prodotto.
- Pulire regolarmente i sistemi di drenaggio accessibili a contatto con gli alimenti.
- Pulire i serbatoi d'acqua che non sono stati usati per 48 ore e i sistemi d'acqua alimentati dalla rete che non sono stati usati per più di 5 giorni.
- Conservare i prodotti crudi di carne e pesce in scomparti appropriati all'interno del prodotto. In tal modo, non sgoccioleranno e non entreranno in contatto con altri alimenti.
- Gli scomparti del congelatore a due stelle sono utilizzati per conservare gli alimenti precotti, fare e conservare il ghiaccio e i gelati.
- Gli scomparti a una, due e tre stelle non sono appropriati per congelare alimenti freschi.
- Se il congelatore è stato lasciato vuoto per molto tempo, spegnerlo, sbrinare, pulire e asciugare il prodotto per proteggere il suo alloggiamento.
- Dopo aver sistemato gli alimenti, controllare che gli sportelli degli scomparti, e in particolare lo sportello del congelatore, siano chiusi correttamente.
- Utilizzare lo scomparto frigorifero per conservare alimenti freschi e quello congelatore per conservare prodotti congelati, congelare alimenti freschi e preparare cubetti di ghiaccio.
- Non conservare alimenti senza sigillarli correttamente negli scomparti frigorifero e congelatore, per evitare il contatto diretto con le superfici interne.



1.9 Manutenzione e pulizia in sicurezza

- Scollegare il frigorifero o togliere tensione al fusibile prima di pulirlo o iniziare ad eseguire la manutenzione.
 - Non tirare dalla porta o dalla maniglia della porta se si intende spostare il prodotto per pulirlo. La porta può causare lesioni se la maniglia viene tirata con troppa forza.
 - Non posizionare mani, piedi o oggetti metallici sotto o dietro il prodotto. Si potrebbero verificare inceppamenti o i bordi taglienti potrebbero causare lesioni personali.
 - Non lavare l'interno o l'esterno del prodotto con un'idropulitrice, vapore, getti d'acqua o getti d'acqua. Pericolo di scosse elettriche e incendi.
 - Quando si pulisce il prodotto, non usare strumenti taglienti e abrasivi o detersivi domestici, detersivi, gas, benzina, diluente, alcol, vernice e sostanze simili. Utilizzare solo detersivi e agenti per la pulizia che non siano dannosi per gli alimenti contenuti nel prodotto.
 - Non utilizzare tovaglioli di carta, spugne da cucina o altri materiali per la pulizia duri.
- Non utilizzare mai detersivi a vapore o materiali per la pulizia a vapore per pulire il prodotto e scongelare il ghiaccio al suo interno. Il vapore che entra in contatto con le parti sotto tensione del frigorifero provoca cortocircuiti o scosse elettriche.
 - Per accelerare le operazioni di scongelamento, non utilizzare attrezzi meccanici o altri utensili diversi da quelli raccomandati dal produttore.
 - Tenere l'acqua lontana dai fori per la ventilazione, dai circuiti elettronici o dal sistema di illuminazione del prodotto. In caso contrario, vi è il rischio di incendio o scossa elettrica.
 - Utilizzare un panno pulito e asciutto per rimuovere la polvere o un qualsiasi materiale estraneo sulle spine. Non utilizzare un panno umido o bagnato per pulire la spina. In caso contrario, vi è il rischio di incendio o scossa elettrica.



1.10 Illuminazione

Contattare un servizio di assistenza autorizzato quando si deve sostituire il LED/lampadina utilizzato per l'illuminazione.

1.11 Smaltimento del vecchio prodotto

Quando smaltisci il tuo vecchio prodotto segui le istruzioni riportate di seguito:

- Per evitare che i bambini si blocchino accidentalmente nel prodotto, nel caso in cui sia presente la serratura della porta, disattivarla.
- Gli schizzi di fluido refrigerante sono pericolosi per gli occhi. Non danneggiare alcuna parte dell'impianto di raffreddamento durante lo smaltimento del prodotto.

- Potrebbe essere fatale se l'olio del compressore venisse ingerito o se penetrasse nel tratto respiratorio.
- L'impianto di raffreddamento del prodotto include il gas R600 come specificato nell'etichetta informativa. Questo gas è infiammabile. Non smaltire il prodotto gettandolo nel fuoco. Rischio di esplosione!
- Il C-pentano è utilizzato come agente espandente nella schiuma isolante ed è una sostanza infiammabile. Non smaltire il prodotto gettandolo nel fuoco.

IT

2 Istruzioni relative all'ambiente

2.1 Conformità con la direttiva WEEE e con la normativa sullo smaltimento dei prodotti di scarto.



Questo prodotto è conforme alla direttiva WEEE dell'UE (2012/19/EU). Questo prodotto porta un simbolo di classificazione per la strumentazione elettrica ed elettronica di scarto

(WEEE).

Questo simbolo indica che questo prodotto alla fine della sua vita utile non deve essere smaltito con altri rifiuti domestici. Il dispositivo usato deve essere restituito al punto di raccolta ufficiale per il riciclaggio dei dispositivi elettrici ed elettronici. Per trovare questi sistemi di raccolta si prega di contattare le autorità locali o il rivenditore presso il quale è stato acquistato il prodotto. Ogni famiglia svolge un ruolo importante nel recupero e nel riciclaggio di vecchie apparecchiature. Un adeguato smaltimento dell'ap-

parecchiatura usata aiuta a prevenire potenziali conseguenze negative per l'ambiente e la salute umana.

Conformità con la direttiva RoHS

Il prodotto acquistato è conforme con la Direttiva UE RoHS (2011/65/EU). Non contiene materiali dannosi e proibiti e indicati nella Direttiva.



Informazioni sull'imballaggio

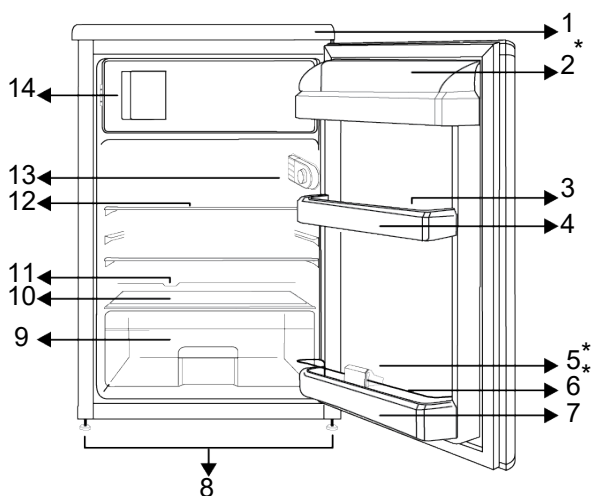
I materiali che compongono l'imballaggio del prodotto sono realizzati a partire da materiali riciclabili in conformità con le nostre Normative Ambientali Nazionali. Non smaltire i materiali dell'imballaggio congiuntamente ai rifiuti domestici o ad altri rifiuti. Portarli presso i punti di raccolta imballaggi indicati dalle autorità locali.

CE Conformità alle norme e informazioni sui test / Dichiarazione di conformità CE

Le fasi di sviluppo, produzione e vendita di questo prodotto sono conformi alle norme di sicurezza di tutte le linee guida pertinenti della Comunità Europea. 2014/35/UE, 2014/30/UE, 93/68/CE, IEC 60436/ DIN 44990, EN 50242

IT

3 Il vostro frigorifero



- | | |
|---|--|
| 1 Vassoio superiore fisso | 2 * Scomparto per burro e formaggio |
| 3 Porta uova | 4 Ripiano porta |
| 5 *Porta bottiglie | 6 *Visore di sicurezza |
| 7 Ripiano per bottiglie | 8 Gambe regolabili |
| 9 Cassetto frutta e verdura | 10 Coperchio in vetro frutta e verdura |
| 11 Canale per la raccolta dell'acqua di sbrinamento - Scarico | 12 Portabicchieri |
| 13 Manopola termostato | 14 Scomparto congelatore |

***Opzionale:** Le figure contenute in questo manuale d'uso sono schematiche, e potrebbero non corrispondere esattamente al pro-

dotto. Qualora il prodotto non contenga le parti descritte, l'informazione riguarda altri modelli.

4 Installazione

Leggere prima la sezione "Istruzioni di sicurezza"!

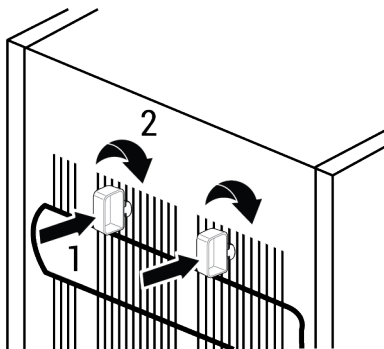
4.1 Luogo idoneo per l'installazione

Rivolgersi al Servizio Autorizzato per l'installazione del prodotto. Per preparare il prodotto all'installazione, consultare le informazioni contenute nel manuale utente e accertarsi che le utenze elettriche e idriche siano conformi a quanto necessario. In caso contrario, chiamare un elettricista e un idraulico per sistemare le utenze come necessario.

- Per evitare vibrazioni, posizionare il prodotto su una superficie piana
- Collocare il prodotto ad almeno 30 cm dal termosifone, dalla stufa e da altre fonti di calore e ad almeno 5 cm da eventuali forni elettrici.
- Quando vengono posizionati due frigoriferi l'uno a fianco dell'altro, lasciare una distanza di almeno 4 cm fra le due unità.
- Conservare il prodotto al riparo dalla luce solare diretta e in un luogo asciutto.
- Il prodotto necessita di adeguata ventilazione per un funzionamento efficiente. Se il prodotto viene collocato all'interno di una nicchia, lasciare almeno 5 cm di spazio tra il prodotto, il soffitto, i muri laterali e il muro retrostante.
- Controllare se il componente di protezione della parete posteriore è presente e nel suo alloggiamento (se fornito con il prodotto).
- Se il componente non è disponibile, o se è stato smarrito o è caduto, posizionare il prodotto in modo tale da lasciare almeno 5 cm di spazio libero tra il retro del prodotto e le pareti del locale. Lo spazio libero nella parte posteriore è importante per il funzionamento efficiente del prodotto.

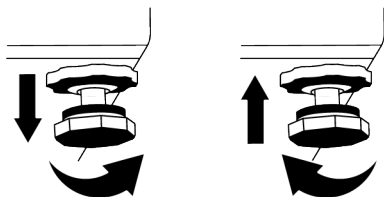
4.2 Fissaggio dei cunei in plastica

Per garantire una circolazione d'aria sufficiente fra il prodotto e la parete, servirsi dei cunei in plastica forniti in dotazione con il prodotto. Montare 2 dei cunei di plastica come mostrato nella figura seguente. (L'immagine riportata è solo rappresentativa, non è completamente rispondente al vostro prodotto)



4.3 Regolazione delle gambe

Qualora il prodotto non fosse in equilibrio, regolare le gambe anteriori regolabili, ruotandole verso destra o verso sinistra.



4.4 Avvertenza: superficie calda

Le pareti laterali del prodotto sono dotate di tubi di raffreddamento per migliorare il sistema generale di raffreddamento. L'elevata pressione del fluido potrebbe fluire attraverso queste superfici, causando il riscaldamento eccessivo delle superfici sulle pareti laterali. Ciò è normale e non richiede interventi di manutenzione.

5 Preparazione

Leggere prima la sezione "Istruzioni di sicurezza"!

5.1 Cosa fare per risparmiare energia

- Questo apparecchio refrigerante non è destinato ad essere utilizzato come apparecchio da incasso.
- Quando si caricano gli alimenti, lasciare uno spazio sufficiente all'interno del frigorifero per consentire una circolazione d'aria sufficiente per il raffreddamento.
- L'aria calda e umida, non penetrando direttamente nel prodotto quando le porte non sono aperte, permetterà al prodotto di ottimizzare la funzione di protezione degli alimenti. In queste circostanze, funzioni e componenti come il compressore, la ventola, il riscaldatore, lo sbrinamento, l'illuminazione, il display e così via funzioneranno in base alle esigenze di consumo minimo di energia.
- Nel caso in cui siano presenti più opzioni, i ripiani in vetro devono essere posizionati in modo da non bloccare le uscite d'aria sulla parete posteriore e, preferibilmente, in modo che le uscite d'aria rimangano al di sotto del ripiano in vetro. Questa combinazione potrebbe aiutare a migliorare la distribuzione dell'aria e l'efficienza energetica.
- Conservare gli alimenti nel vano frigorifero o nel congelatore rispettando le corrette condizioni di conservazione per risparmiare energia.

5.2 Primo utilizzo

Prima di utilizzare il prodotto, accertarsi che siano stati effettuati i preparativi necessari in linea con le istruzioni riportate nelle sezioni "Istruzioni di sicurezza" e "Installazione".

- Attendere almeno 2 ore prima di mettere in funzione il prodotto, per garantire la completa efficienza della refrigerazione.
- Mantenere il prodotto in funzione senza inserire alcun alimento all'interno per 6 ore; lo sportello del prodotto dovrà essere tenuto quanto più possibile chiuso.

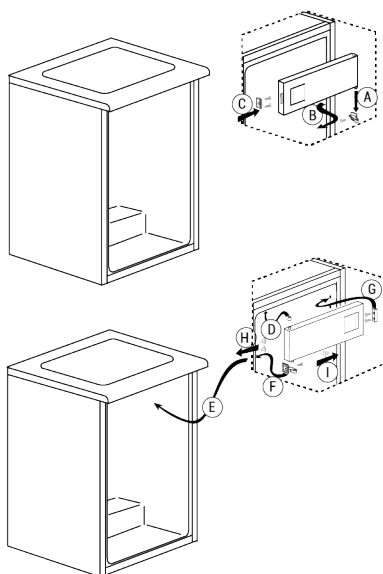
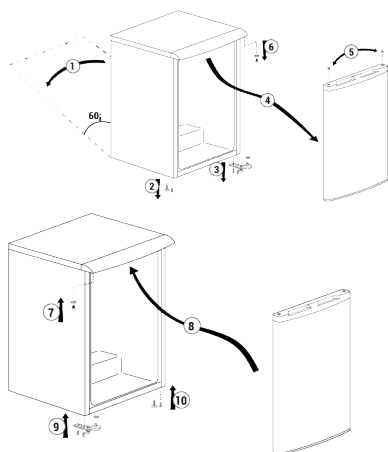
- La variazione di temperatura causata dall'apertura e dalla chiusura della porta durante l'uso del prodotto potrebbe portare a normale formazione di condensa sul cibo posto sui ripiani della porta/del vano frigo e sui contenitori di vetro posti nel prodotto.
- Si sentirà un suono quando viene attivato il compressore. È normale che il prodotto faccia rumore anche se il compressore non è in funzione, poiché il fluido e il gas potrebbero essere compressi nel sistema di raffreddamento.
- È normale che i bordi anteriori del prodotto siano caldi. Queste aree sono progettate per riscaldarsi al fine di evitare la formazione di condensa.
- Per alcuni modelli, il pannello indicatore si spegne automaticamente 1 minuto dopo la chiusura della porta. Si riattiva quando la porta è aperta o si preme un qualsiasi pulsante.

5.3 Classe climatica e definizioni

Si prega di fare riferimento alla classe climatica indicata sulla targhetta del dispositivo. Una delle seguenti informazioni è applicabile al proprio dispositivo secondo la classe climatica.

- **SN:** Clima temperato a lungo termine: Questo dispositivo di raffreddamento è progettato per l'uso a temperature ambiente tra 10 °C e 32 °C.
- **N:** Clima temperato: Questo dispositivo di raffreddamento è progettato per l'uso a temperature ambiente tra 16°C e 32 °C.
- **ST:** Clima subtropicale: Questo dispositivo di raffreddamento è progettato per l'uso a temperature ambiente tra 16°C e 38°C.
- **T:** Clima tropicale: Questo dispositivo di raffreddamento è progettato per l'uso a temperature ambiente tra 16°C e 43°C.

6 Cambio della direzione della porta



IT

7 Funzionamento del prodotto

Leggi prima le «Istruzioni di sicurezza»!

- Il prodotto deve essere utilizzato solo per la conservazione degli alimenti.
- Se sarai lontano da casa per un lungo periodo (ad esempio, in vacanza) e non utilizzerai la macchina per il ghiaccio o il distributore di acqua, chiudi la valvola dell'acqua. In caso contrario, potrebbe verificarsi una perdita d'acqua.
- Sulle superfici in acciaio inossidabile si possono osservare lievi variazioni di luminosità dovute al processo di fabbrica-

zione e alle caratteristiche intrinseche del materiale. Ciò è normale e non influisce sulle prestazioni del prodotto.

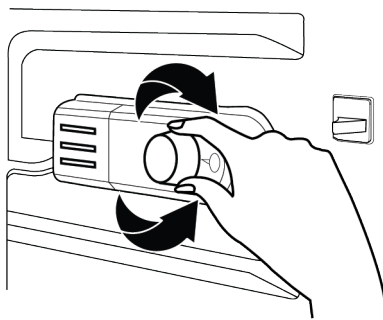
Arresto del prodotto

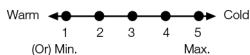
- Rimuovere il cibo per evitare la formazione di odori.
- Attendi che il ghiaccio si sciogla, pulisci l'interno e lascialo asciugare, lasciando le porte aperte per evitare di danneggiare la plastica interna.

8 Uso dell'apparecchio

8.1 Impostazione della temperatura di funzionamento

La temperatura di funzionamento è impostata dal controllo della temperatura.





1=Impostazione di raffreddamento più bassa (impostazione più calda)

5=Impostazione di raffreddamento più alta (impostazione più fredda)

O

Min. = Impostazione di raffreddamento più bassa

(impostazione più calda)

Max. = Impostazione di raffreddamento più alta

(impostazione più fredda)

La temperatura media all'interno dello scomparto refrigerante dovrebbe essere di circa +5°C.

Si prega di selezionare un'impostazione in base alla temperatura desiderata.

Si prega di notare che nella zona di raffreddamento vi saranno diverse temperature.

La zona più fredda è appena sopra il crisper.

La temperatura interna dipende anche dalla temperatura ambiente, dalla frequenza di apertura della porta e dalla quantità di cibo conservato all'interno.

L'apertura frequente della porta provoca l'aumento della temperatura interna.

Si raccomanda pertanto di chiudere la porta il più presto possibile dopo l'uso.

Utilizzo degli scomparti interni

Ripiani mobili: La distanza tra i ripiani può essere regolata a piacere.

Cassetto per le verdure: In questo scomparto, verdure e frutta possono essere conservate a lungo senza che si rovinino.

Scaffale per bottiglie: Su questi ripiani si possono collocare bottiglie, barattoli e lattine.

Conservazione degli alimenti

Lo scomparto frigorifero serve per la conservazione a breve termine di alimenti e bevande fresche.

Conservare i latticini nell'apposito scomparto del frigorifero.

Le bottiglie possono essere riposte nel portabottiglie o sul ripiano della porta.

È preferibile conservare la carne cruda in un sacchetto di polietilene nello scomparto più basso del frigorifero.

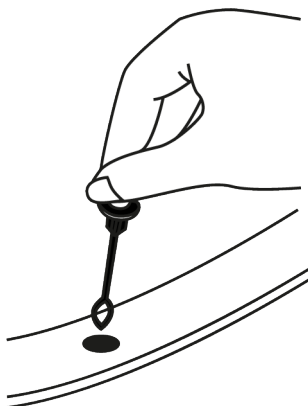
Lasciare che i cibi e le bevande caldi si raffreddino a temperatura ambiente prima di metterli in frigorifero.

• **Attenzione:**

Conservare l'alcol concentrato solo in posizione verticale e ben chiuso.

• **Attenzione:**

Non conservare nell'unità sostanze esplosive o contenitori con propellenti infiammabili (lattine, bombolette spray, ecc.). Pericolo di esplosione.

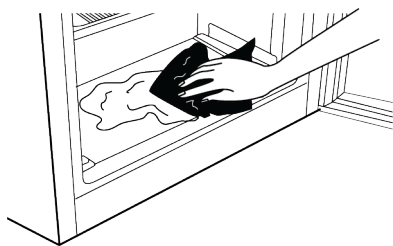


Sbrinamento

Lo sbrinamento dello scomparto frigorifero avviene automaticamente. L'acqua sbrinata scorre attraverso il canale di scarico in un contenitore di raccolta sul retro dell'apparecchio.

Durante lo sbrinamento, sul retro del frigorifero si formano gocce d'acqua a causa dell'evaporatore.

Se le gocce non scendono tutte verso il basso, possono congelarsi nuovamente dopo lo sbrinamento. Pulirle con un panno imbevuto di acqua calda, ma mai con un oggetto duro o appuntito.



8.2 Sostituzione della lampada

Quando la lampadina/LED usata per l'illuminazione del frigorifero deve essere sostituita, chiamare il servizio assistenza autorizzato.

La lampada o le lampade utilizzate in questa apparecchiatura non possono essere utilizzate per l'illuminazione della casa. L'uso previsto di questa lampada è quello di aiutare l'utente a mettere il cibo nel frigorifero/congelatore in modo sicuro e confortevole.

IT

9 Manutenzione e pulizia

Leggi prima le «Istruzioni di sicurezza»!

- Scollegare l'elettrodomestico prima di pulirlo.
- La polvere sulla griglia di ventilazione sul retro del prodotto deve essere rimossa (senza aprire il coperchio) almeno una volta all'anno. La pulizia deve essere effettuata con un panno asciutto.
- Fare attenzione a non far entrare acqua nell'alloggiamento della lampada e in altre parti elettriche.
- Pulire la porta con un panno umido. Rimuovi tutto il contenuto per estrarre lo sportello e i ripiani della carrozzeria. Sollevare i ripiani della porta verso l'alto per rimuoverli. Dopo averli puliti e asciugati, rimettili in posizione dall'alto verso il basso.
- Non utilizzare mai acqua o detersivi contenenti cloro per pulire la superficie esterna del prodotto o le parti cromate. Il cloro causa ruggine su questi tipi di superfici metalliche.
- Per evitare che le stampe sulla parte in plastica si stacchino o si deformino, non utilizzare strumenti affilati e abrasivi, sapone, prodotti per la pulizia della casa, detersivi, benzina, smalto, ecc. Per la pulizia, utilizzare un panno morbido con acqua tiepida e asciutto.
- Nei prodotti privi della tecnologia No Frost, sulla parete posteriore del vano frigorifero si formeranno goccioline d'acqua e

brina dello spessore di un dito. Non pulirlo e non applicare assolutamente olio o sostanze simili.

- Utilizzare solo un panno in microfibra leggermente umido per pulire la superficie esterna del prodotto. Spugne e altri tipi di panni per la pulizia possono causare graffi.
- Per pulire le superfici interne del prodotto, lavare tutte le parti rimovibili con una soluzione delicata di sapone, acqua e bicarbonato di sodio. Risciacquare accuratamente e asciugare completamente. Evitare che l'acqua penetri nelle luci e nel pannello di controllo.
- Non utilizzare aceto, alcol denaturato o altri detersivi a base di alcol su nessuna superficie interna.

Superfici esterne in acciaio inossidabile

Usa un detersivo non abrasivo per acciaio inossidabile e applicalo con un panno morbido e privo di lanugine. Per lucidare, pulire delicatamente la superficie con un panno in microfibra inumidito con acqua e utilizzare un tampone per lucidatura a secco. Segui sempre la grana dell'acciaio inossidabile.

Prevenzione dei cattivi odori

Nella produzione del prodotto non vengono utilizzate sostanze che potrebbero causare odori. Tuttavia, possono formarsi odori dovuti a una conservazione impropria degli alimenti e alla mancata pulizia adeguata della superficie interna del prodotto.

- Per evitare questo problema, pulire con acqua di bicarbonato di sodio ogni 15 giorni.
- Conserva gli alimenti in contenitori sigillati, poiché i microrganismi rilasciati dagli alimenti aperti possono causare cattivi odori.

- Non conservare mai alimenti scaduti o avariati nel prodotto.

Protezione delle superfici in plastica

Se l'olio si rovescia sulle superfici in plastica, puliscile immediatamente con acqua tiepida, poiché l'olio può danneggiare la superficie.

10 Guida alla risoluzione dei problemi

Leggere prima la sezione "Istruzioni di sicurezza"!

Controllare questo elenco prima di contattare il servizio clienti. Questa operazione vi consentirà di risparmiare soldi. Questo elenco contiene le lamentele più frequenti che non riguardano problemi a livello di manodopera o materiali. Alcune funzioni qui indicate potrebbero non essere valide per il prodotto in questione.

Se il problema persiste dopo aver seguito le istruzioni di questa sezione, contattare il fornitore o un Servizio di Assistenza autorizzato. Evitare in ogni caso di riparare il prodotto.

Il frigorifero non funziona.

- La presa di corrente non è stata inserita correttamente. >>> Spingerla fino a inserirla completamente nella presa.
- Il fusibile collegato alla presa che alimenta il prodotto, oppure il fusibile principale, è bruciato. >>> Controllare il fusibile.

Condensa sulla parete laterale dello scomparto raffreddatore (MULTI ZONE, COOL, CONTROL e FLEXI ZONE).

- La porta viene aperta troppo spesso. >>> Fare attenzione a non aprire troppo frequentemente la porta del prodotto.
- L'ambiente è troppo umido. >>> Non installare il prodotto in ambienti umidi.
- Gli alimenti contenenti liquidi sono conservati in contenitori non sigillati. >>> Tenere gli alimenti contenenti liquidi in contenitori sigillati.
- La porta del prodotto viene lasciata aperta. >>> Non tenere aperte a lungo le porte del frigorifero.

- Il termostato è impostato su una temperatura molto fredda. >>> Impostare il termostato su una temperatura adeguata.

Il compressore non funziona.

- In caso di improvviso black out, o nel caso in cui la spina venga tolta e poi reinserita, la pressione del gas nel sistema di raffreddamento del prodotto non è equilibrata, il che fa scattare la protezione termica del compressore. Il prodotto si riavvierà dopo circa 6 minuti. Qualora il prodotto non si riavvii dopo questo periodo, contattare l'assistenza.
- La modalità di scongelamento è attiva. >>> Si tratta di una condizione normale per un frigorifero con funzione di sbrinamento completamente automatica. Lo sbrinamento avviene a intervalli periodici.
- Il prodotto non è collegato. >>> Verificare che il cavo di alimentazione sia collegato.
- L'impostazione della temperatura è sbagliata. >>> Selezionare l'impostazione di temperatura adeguata.
- Non c'è corrente. >>> Il prodotto continuerà a funzionare normalmente quando verrà ripristinata la corrente elettrica.

Il rumore di funzionamento del frigorifero aumenta col passare del tempo.

- Le prestazioni del prodotto potrebbero variare a seconda delle variazioni della temperatura ambiente. Ciò è normale e non è un'anomalia di funzionamento.

Il frigorifero funziona troppo spesso o troppo a lungo.

- Il nuovo prodotto potrebbe essere più grande di quello precedente. I prodotti più grandi funzioneranno più a lungo.

- La temperatura della stanza potrebbe essere alta. >>> Il prodotto funzionerà normalmente per lunghi periodi di tempo con temperature ambiente superiori.
- Il prodotto potrebbe essere stato di recente collegato alla corrente, oppure al suo interno potrebbero essere stati recentemente aggiunti vari alimenti. >>> Al prodotto servirà più tempo per raggiungere la temperatura impostata, se collegato di recente, oppure nel caso in cui siano stati collocati nuovi alimenti al suo interno. Ciò è normale.
- Forse di recente sono state introdotte nel frigorifero grandi quantità di alimenti caldi. >>> Non mettere alimenti caldi direttamente dentro al frigorifero.
- Le porte sono state aperte frequentemente o tenute aperte a lungo. >>> L'aria calda che si muove all'interno provocherà un funzionamento più prolungato. Non aprire le porte con troppa frequenza.
- Le porte del congelatore o del raffreddatore potrebbero essere socchiusi. >>> Controllare che le porte siano totalmente chiuse.
- Il prodotto potrebbe essere impostato su una temperatura troppo bassa. >>> Impostare la temperatura su un livello più alto e attendere che il prodotto raggiunga la temperatura desiderata.
- La rondella della porta del raffreddatore o del congelatore potrebbe essere sporca, usurata, rotta o non correttamente configurata. >>> Pulire o sostituire la guarnizione. Le rondelle consumate e usurate faranno funzionare il prodotto più a lungo per conservare la temperatura attuale.

La temperatura del congelatore è molto bassa, ma la temperatura del raffreddatore è corretta.

- La temperatura dello scomparto congelatore è impostata su un livello molto basso. >>> Impostare la temperatura dello scomparto congelatore su un livello più alto, quindi eseguire un controllo.

La temperatura del raffreddatore è molto bassa, ma la temperatura del congelatore è corretta.

- Impostare la temperatura dello scomparto raffreddatore su un livello più alto, quindi eseguire un controllo. >>> Impostare la temperatura dello scomparto raffreddatore su un livello più alto, quindi eseguire un nuovo controllo.

Gli alimenti conservati nei cassetti dello scomparto raffreddatore sono congelati.

- Impostare la temperatura dello scomparto raffreddatore su un livello più alto, quindi eseguire un controllo. >>> Impostare la temperatura dello scomparto raffreddatore su un livello più alto, quindi eseguire un nuovo controllo.

La temperatura nello scomparto raffreddatore e congelatore è troppo alta.

- La temperatura dello scomparto raffreddatore è impostata su un livello molto alto. >>> L'impostazione della temperatura dello scomparto raffreddatore ha un effetto sulla temperatura dello scomparto congelatore. Attendere che la temperatura delle parti interessate raggiunga il livello sufficiente modificando la temperatura degli scomparti del raffreddatore o del congelatore.
- Le porte sono state aperte frequentemente o tenute aperte a lungo. >>> Non aprire le porte con troppa frequenza.
- La porta potrebbe essere socchiusa. >>> Chiudere completamente la porta.
- Il prodotto potrebbe essere stato di recente collegato alla corrente, oppure al suo interno potrebbero essere stati recentemente aggiunti vari alimenti. >>> Non si tratta di un'anomalia. Al prodotto servirà più tempo per raggiungere la temperatura impostata, se collegato di recente, oppure nel caso in cui siano stati collocati nuovi alimenti al suo interno.
- Forse di recente sono state introdotte nel frigorifero grandi quantità di alimenti caldi. >>> Non mettere alimenti caldi direttamente dentro al frigorifero.

Vibrazioni o rumore.

- >>> Se il prodotto vibra quando viene spostato lentamente, regolare i supporti per equilibrarlo. Verificare inoltre che la superficie di appoggio sia sufficientemente resistente per supportarne il peso.
- Gli eventuali oggetti collocati sul prodotto potrebbero causare rumori. >>> Togliere gli eventuali elementi collocati sul prodotto.
- Il prodotto emette rumori, come ad esempio liquido che scorre, spruzzo, eccetera
- I principi operativi del prodotto prevedono flussi di liquido e di gas. >>> Ciò è normale e non è un'anomalia di funzionamento.

C'è un rumore, simile a un soffio, che proviene dal prodotto.

- Il prodotto si serve di una ventola per il processo di raffreddamento. Ciò è normale e non è un'anomalia di funzionamento.

Si è formata condensa sulle pareti interne del prodotto.

- Le temperature calde o umide aumenteranno la formazione di ghiaccio e la condensa. Ciò è normale e non è un'anomalia di funzionamento.
- Le porte sono state aperte frequentemente o tenute aperte a lungo. >>> Non aprire le porte con troppa frequenza; se la porta è aperta, chiuderla.
- La porta potrebbe essere socchiusa. >>> Chiudere completamente la porta.

Si è formata condensa sulla superficie esterna del prodotto o fra le porte.

- Le condizioni ambientali potrebbero essere umide, e ciò è normale. >>> La condensa si dissiperà alla riduzione dell'umidità.

L'interno emette cattivi odori.

- Il prodotto non è stato pulito regolarmente. >>> Pulire la superficie interna a intervalli regolari servendosi di spugna, acqua tiepida, e acqua gassata.

- Alcuni supporti e materiali da confezionamento potrebbero causare cattivi odori. >>> Servirsi di supporti confezionamento che non emettano cattivi odori.
- Gli alimenti sono stati collocati in supporti non sigillati. >>> Tenere gli alimenti in contenitori sigillati. I microrganismi possono diffondersi dagli alimenti non sigillati e causare cattivi odori.
- Rimuovere gli eventuali alimenti scaduti o rovinati dal prodotto.

La porta non si chiude correttamente.

- Le confezioni degli alimenti potrebbero bloccare la porta. >>> Trovare una nuova posizione per gli alimenti che bloccano le porte.
- Il prodotto non è in posizione verticale, appoggiato per terra. >>> Regolare i supporti per l'equilibrio del prodotto.
- La superficie non è piatta o resistente >>> Assicurarsi che la superficie sia piatta e sufficientemente resistente per sostenere il prodotto.

Il cassetto frutta e verdura è inceppato.

- Gli alimenti potrebbero entrare in contatto con la sezione superiore del cassetto. >>> Ri-organizzare gli alimenti nel cassetto.

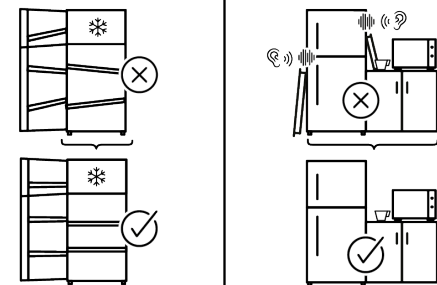
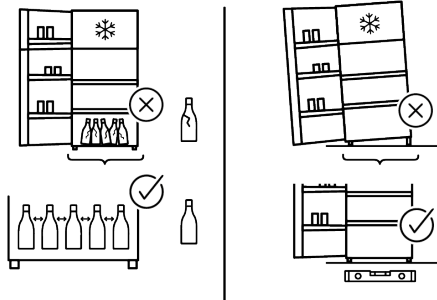
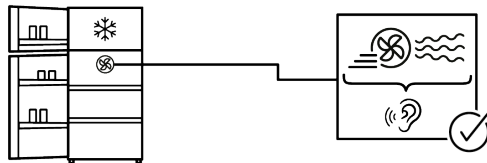
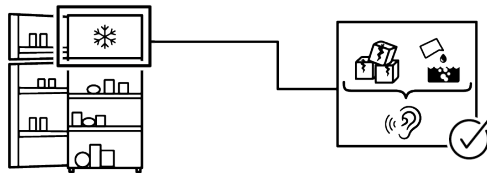
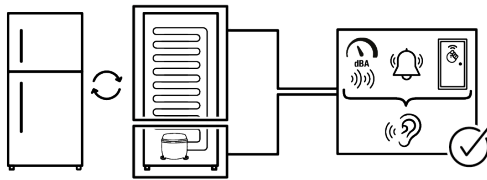
Temperatura sulla superficie del prodotto.

- Mentre il prodotto è in funzione, potrebbero generarsi temperature elevate tra le due porte, sui pannelli laterali e sulla griglia posteriore. Ciò è normale e non richiede interventi di manutenzione.

La ventola continua a funzionare quando la porta è aperta.

- La ventola potrebbe continuare a funzionare quando la porta del congelatore è aperta.

Se il problema persiste dopo aver seguito le istruzioni di questa sezione, contattare il fornitore o un Servizio di Assistenza autorizzato. Evitare in ogni caso di riparare il prodotto. Ciò è normale.



ESONERO DA RESPONSABILITA'

Alcuni guasti (semplici) possono essere gestiti adeguatamente dall'utente finale senza che si verifichino problemi di sicurezza o di utilizzo non sicuro, a condizione che vengano eseguiti entro i limiti e in conformità alle seguenti istruzioni (vedere la sezione "Autoriparazione").

Pertanto, se non diversamente autorizzato nella sezione sotto "Autoriparazione", per evitare problemi di sicurezza, le riparazioni dovranno essere eseguite da riparatori professionisti registrati. Un riparatore professionale registrato è un riparatore professionale a cui il produttore ha concesso l'accesso alle istruzioni e all'elenco delle parti di ricambio di questo prodotto secondo i metodi descritti negli atti legislativi ai sensi della direttiva 2009/125/CE.

Solo gli agenti di assistenza (cioè i riparatori professionali autorizzati) raggiungibili tramite il numero di telefono indicato nel manuale d'uso/scheda di garanzia o tramite il rivenditore autorizzato possono, tuttavia, fornire assistenza in base ai termini della garanzia. Pertanto, si ricorda che le riparazioni effettuate da riparatori professionisti (non autorizzati da) Bauknecht annulleranno la garanzia.

Autoriparazione

L'utente finale può eseguire l'autoriparazione dei seguenti pezzi di ricambio: maniglie, cerniere, vassoi, cestini e guarnizioni degli sportelli (è disponibile una lista aggiornata anche su <https://parts-selfservice.europeanappliances.com> partire dal 1° marzo 2021).

Inoltre, per garantire la sicurezza del prodotto e prevenire il rischio di gravi lesioni, l'autoriparazione menzionata deve essere eseguita seguendo le istruzioni contenute nel manuale d'uso per l'autoriparazione o disponibili su [\[peanappliances.com\]\(https://parts-selfservice.europeanappliances.com\). Per la sicurezza dell'utente, prima di tentare qualsiasi riparazione, staccare la spina del prodotto.](https://parts-selfservice.euro-</p></div><div data-bbox=)

I tentativi di riparazione da parte degli utenti finali per parti non incluse in tale elenco e/o non seguendo le istruzioni contenute nei manuali d'uso per l'autoriparazione o disponibili su <https://parts-selfservice.europeanappliances.com>, potrebbero causare problemi di sicurezza non imputabili a Bauknecht e invalideranno la garanzia del prodotto.

Pertanto, si raccomanda vivamente agli utenti finali di astenersi dal tentare di effettuare riparazioni che non rientrano nell'elenco dei pezzi di ricambio indicati, rivolgendosi in questi casi a riparatori professionali autorizzati o registrati. Al contrario, tali tentativi di riparazione da parte degli utenti finali potrebbero comportare problemi di sicurezza, danneggiare il prodotto e causare successivamente incendi, inondazioni, elettrocuzione e gravi lesioni personali.

A titolo esemplificativo, ma non esaustivo, le seguenti riparazioni devono essere affidate a riparatori professionisti autorizzati o registrati: compressore, circuito di raffreddamento, scheda principale, scheda inverter, scheda display, ecc.

Il produttore/venditore non può essere ritenuto responsabile in caso di mancata osservanza di quanto sopra da parte degli utenti finali.

La disponibilità dei pezzi di ricambio del frigorifero acquistato è di 10 anni. Durante questo periodo, i pezzi di ricambio originali saranno disponibili per il corretto funzionamento del frigorifero.

La durata minima della garanzia del frigorifero acquistato è di 24 mesi.

Questo prodotto è dotato di una sorgente luminosa di classe energetica "G".

La sorgente luminosa in questo prodotto deve essere sostituita solo da un riparatore professionista.

Vedi anche

2 CLAUSE DE NON-RESPONSABILITÉ
[} 53]

IT

