

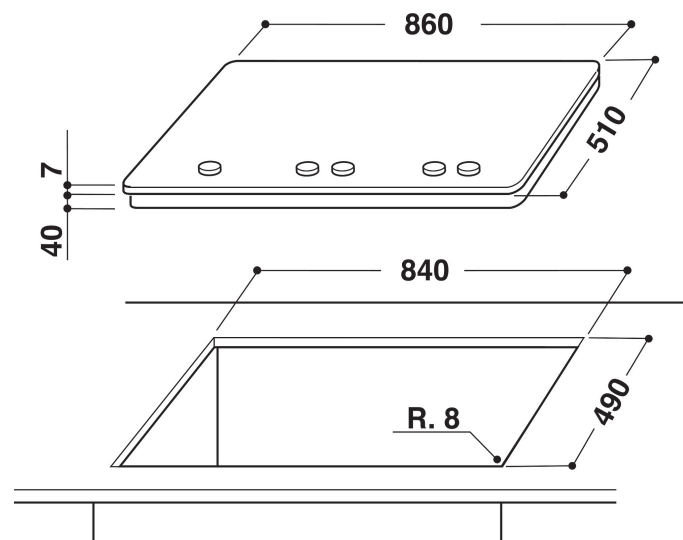
GMW 9552/IXL

12NC: 859991547940

GTIN (EAN) code: 8003437232169

Whirlpool

SENSING THE DIFFERENCE



- Cast Iron Pan Supports
- Electromagnetic safety device for each burner
- Brushed chrome knobs
- 3 W Collection Aphrodite 2 Cast Iron grids
- Front controls
- 90 cm hob
- Mechanical control
- Ignition type: knob
- 5 Burners
- 5 burners: 1 Semirapid 1750 W burner, 1 Semirapid 1750 W burner, 1 Rapid 3000 W burner, 1 Auxiliary 1000 W burner, and 1 FlexiFlame 5 kW 5000 W burner.
- Supply cord included
- Dimensions HxWxD: 49x900x510 mm
- Niche dimensions HxWxD: 41x560x490 mm
- Voltage: 230 V
- Gas Connection Rating: 8000 W

Whirlpool gas hob: 5 gas burners - GMW 9552/IXL

This Whirlpool gas Hob features: iXelium stain-resistant surface for effortless cleaning.



FlexiFlame

Burners with two concentric rings for powerful, even, and controllable heat over a wide or small area. Burners always distribute the heat evenly and effectively for maximum flexibility and performance, while the ergonomic knob of the central burner offers complete control of the smaller ring only or both rings together.



iXelium

Long lasting shine. The revolutionary iXelium treatment protects your hob from scratches and corrosion, ensuring a perfect shine, always. And, it's easy to clean: all you need is water and a soft cloth.



Booster

Enjoy super fast boiling times with the Booster cooking zone.



Full width cast iron grids

The full-width cast-iron pan support maximises the cooking surface with an edge-to-edge design so pans can slide effortlessly from one burner to another without any lifting and is durable enough to withstand damage and prevent rusting or scratching. Cooktop grids are made of cast iron, a top performing material resistant to high temperatures, durable in time that perfectly transmit heat. Restyled for added comfort and beauty, the distinctive design of the ergonomic knobs ensures easier use, greater control, and easeness of cleaning on steel and glass models.



Easy to clean

Easy cleaning. With our easy-to-clean surfaces, all you need to make your hob shine is a clean, damp cloth.



Front Controls

Complete control over your cooking. Easily accessible and genuinely intuitive, the controls are conveniently positioned on the front panel of your hob, providing a frictionless cooking experience.

GMW 9552/IXL

12NC: 859991547940

GTIN (EAN) code: 8003437232169

Whirlpool

SENSING THE DIFFERENCE

MAIN FEATURES

Product group	Hob
Construction type	Built-in
Type of control	Mechanical
Type of control settings	-
Number of gas burners	5
Number of electric cooking zones	0
Number of electric plates	0
Number of radiant plates	0
Number of halogen plates	0
Number of induction plates	0
Number of electric warming zones	0
Location of control panel	Front
Basic surface material	Inoxclearcoat
Main colour of product	Inox
Electrical connection rating (W)	0
Gas connection rating (W)	8000
Current (A)	0,2
Voltage (V)	230
Frequency (Hz)	50
Length of Electrical Supply Cord (cm)	85
Plug type	No
Gas connection	N/A
Width of the product	900
Height of the product	49
Depth of the product	510
Minimum niche height	41
Minimum niche width	560
Niche depth	490
Net weight (kg)	17.8
Automatic programmes	No

TECHNICAL FEATURES

Power on indicator	No
Number of indicators	0
Type of regulation	Temperature regulated
Type of lid	Without
Residual heat indicator	Without
Main on/off switch	No
Safety device	-
Timer	No

PERFORMANCES

Energy input	Gas
--------------	-----