

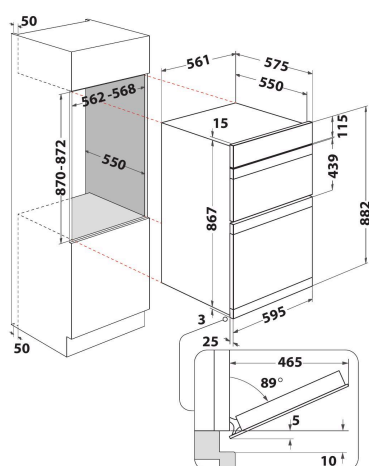
ADMC 1918/IX

12NC: 857781043000

GTIN (EAN) code: 8003437219993

Whirlpool

SENSING THE DIFFERENCE



Whirlpool built in double oven: electric - ADMC 1918/IX

This Whirlpool built in Double Oven features: an electric solution to perfectly cook your dishes at their best. Intuitive programmable timer.



Multifunction 8

Multiple cooking methods. The Multifunction 8 feature offers flexible cooking functions, to ensure perfect results, whatever the recipe.



Circa Fan Oven

Ideal cooking results. Circa Fan technology ensures your dishes are cooked more evenly and faster than in conventional ovens.



Electronic Controls

Intuitive controls. This Whirlpool Double Oven includes a innovative and intuitive digital user interface, to effortlessly program your appliance's cooking functions. It also includes a timer, for added convenience.



Programmable timer

Perfect timing. This Whirlpool Double Oven includes a programmable timer, so your dishes will always be timed to perfection.



Protruding knob

This Whirlpool Double Oven features a comfortable protruding knob, for increased ease of use.

- Energy class main cavity: A
- Energy class second cavity: A
- Inox Finishing
- Silver painted Plastic Indesit knobs
- Main oven capacity 70 L
- Second oven capacity 42 L
- Variable grill
- Programmable timer
- Available grill pan set

ADMC 1918/IX

12NC: 857781043000

GTIN (EAN) code: 8003437219993

Whirlpool

SENSING THE DIFFERENCE

MAIN FEATURES

Main colour of product	Inox
Construction type	Built-in
Type of control	Mechanical and electronic
Type of control settings	7 segments
Are any hobs controls integrated?	No
Which kind of hobs can be controlled?	-
Current (A)	20
Voltage (V)	220-240
Frequency (Hz)	50/60
Length of Electrical Supply Cord (cm)	0
Plug type	No
Depth with open door 90 degree (mm)	N/A
Height of the product	882
Width of the product	595
Depth of the product	570
Minimum niche height	875
Minimum niche width	0
Niche depth	550
Net weight (kg)	50.6
Usable volume (of cavity) - NEW (2010/30/EU)	70
Usable volume (of cavity) - cavity 2 - NEW (2010/30/EU)	42
Integrated Cleaning system	No
Integrated cleaning system of second cavity	No
Grids of the cavity	2
Grids of the second cavity	0
Trays	1
Trays of second cavity	0

TECHNICAL FEATURES

Timer	-
Time control of second cavity	Mechanical
Safety device	-
Interior light	Yes
Probe of the cavity	No
Probe of the second cavity	No

PERFORMANCES

Energy input	Electric
Type of energy of the cavity	Electricity
Type of energy of the second cavity	Electricity
Energy efficiency class	A
Energy efficiency class - cavity 2	A
Energy consumption conventional (kWh)	0
Energy consumption conventional (kWh) - cavity 2	0
Energy consumption forced air convection (kWh)	0
Energy consumption forced air convection (kWh) - cavity 2	0