

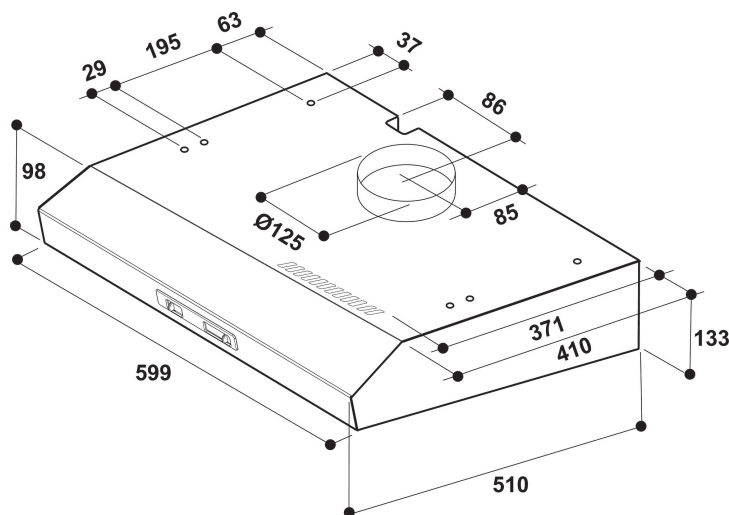
WSLK 65 LS X

12NC: 859991614990

GTIN (EAN) code: 8003437615351

Whirlpool

SENSING THE DIFFERENCE



- Air Flow (min. - max.): 0, 0 m³/h
- Extraction / Recirculation Rate
%Z_REQ_MAX_OUT_EXTRACTION% / 60 m³/h
- 3 speed settings
- Odour Filter
- 1 LED, 3 W lamp
- 1 x 115 W motor
- Mechanical Slider
- 1 Not washable synthetic filter
- Operating Mode: Air extraction, Recirculating air
- Inox Finishing
- 1 Motor
- Motor Power: 115 W
- 60 cm Freestanding hood

Whirlpool wall mounted cooker hood - WSLK 65 LS X

This Whirlpool wall mounted Cooker Hood features: LED lights for ideal lighting. An outstanding cooker extractor fan, ensuring a fresh, grease-free cooking environment. Less than 60cm wide appliance. New design ensuring extra silent performance.



LED lighting

Increased energy and cost efficiency. The LED lighting system lasts 10 times longer than traditional bulbs and uses 90% less energy.



Flexible Installation

Flexible installation options. This Whirlpool Hood can be operated in either Ducted or Recirculated mode (filter needed), so you can enjoy complete freedom when designing your kitchen.



Mechanical control

Effortless control. This Whirlpool Hood includes an analogue control interface designed for simplicity and ease-of-use.



3 Speeds

Versatile performance. This Whirlpool Hood offers 3 speed options, giving you complete control over the extraction rate.



Wall-mounted installation

Wall-mounted installation. This wall-mounted Whirlpool Hood is a breeze to install.



Total annual energy consumption

Ideal performance, outstanding savings. Whirlpool Hoods are designed to provide exceptional results, while reducing energy costs.



Mechanical Slider

Effortless control. This Whirlpool Hood features a slider controller, providing effortless control of your appliance.

WSLK 65 LS X

12NC: 859991614990

GTIN (EAN) code: 8003437615351

Whirlpool

SENSING THE DIFFERENCE

MAIN FEATURES

Product group	Hood
Colour body	Inox
Material body	Stainless steel
Colour chimney	N/A
Material chimney	N/A
Typology	Wall-mounted
Installation type	Wall-mounted
Type of control	Mechanical
Type of control settings	-
Decor panel options	N/A
Motor location	Integrated motor in hood body
Operating Mode	Convertible
Electrical connection rating (W)	118
Current (A)	0,6
Voltage (V)	220-240
Frequency (Hz)	50/60
Length of Electrical Supply Cord (cm)	150
Plug type	No
Chimney height (mm)	-
Height of product, without chimney (mm)	133
Height of the product	133
Width of the product	599
Depth of the product	510
Minimum niche height	0
Minimum niche width	0
Niche depth	0
Net weight (kg)	5.6

TECHNICAL FEATURES

Type of manual control devices	Slider
Type of automatic control devices	-
Number of motors	1
Total power of the motors (W)	115
Number of speed settings: boost option availability	3
Boost presence	No
Maximum output air extraction (m ³ /h)	215
Boost position air extraction (m ³ /h)	0
Maximum output recirculating air (m ³ /h)	60
Boost position output recirculating (m ³ /h)	0
Light Control Type	Steps
Number of lights	1
Type of lamps used	LED
Total power of the lamps (W)	3
Diameter of air outlet (mm)	125
No-return airflow flap	No
Grease filter material	Not washable synthetic
Odour filter	No

PERFORMANCES

Sound power at min. speed (2010/30/EU)	0
Sound power at max. speed (2010/30/EU)	0
Noise level with boost position (dB(A) re 1 pW)	0

