

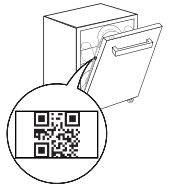
# DAILY REFERENCE GUIDE



**THANK YOU FOR BUYING A HOTPOINT ARISTON PRODUCT.**

In order to receive a more complete assistance, please register your appliance on: [www.hotpoint.eu/register](http://www.hotpoint.eu/register)

**PLEASE SCAN THE QR CODE ON YOUR APPLIANCE IN ORDER TO HAVE MORE DETAILED INFORMATION**

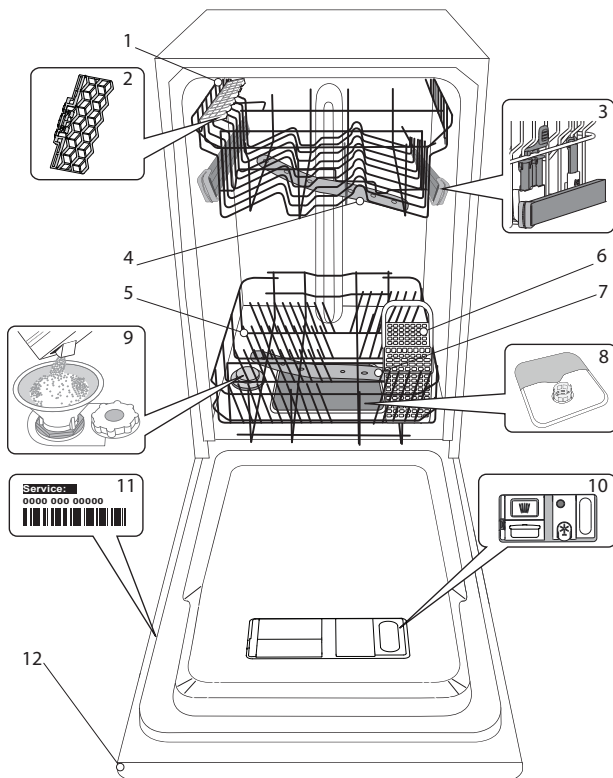


**Before using the appliance carefully read Safety and Installation Instructions.**

After installation, please remember to remove all transport protection parts from the dishwasher.

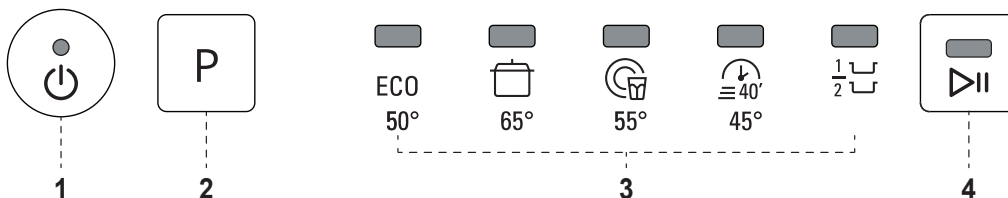
## PRODUCT DESCRIPTION

### APPLIANCE



1. Upper rack
2. Foldable flaps
3. Upper rack height adjuster
4. Upper spray arm
5. Lower rack
6. Cutlery basket
7. Lower spray arm
8. Filter Assembly
9. Salt reservoir
10. Detergent and Rinse Aid dispensers
11. Rating plate
12. Control panel

### CONTROL PANEL



1. ON-OFF / Reset button with indicator light
2. Program selection button
3. Program indicator lights
4. START/Pause button with indicator light

# FIRST TIME USE

## SALT, RINSE AID AND DETERGENT

### ADVICE REGARDING THE FIRST TIME USE

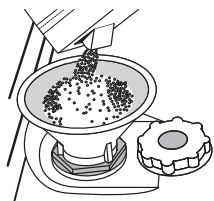
After installation, remove the stoppers from the racks and the retaining elastic elements from the upper rack.

### FILLING THE SALT RESERVOIR

The use of salt prevents the formation of LIMESCALE on the dishes and on the machine's functional components.

- It is mandatory that **THE SALT RESERVOIR NEVER BE EMPTY.**
- It is important to set the water hardness.

The salt reservoir is located in the lower part of the dishwasher (see *Product Description*) and must be filled when the green float on the cap of the salt reservoir is no longer visible.



1. Remove the lower rack and unscrew the reservoir cap (anticlockwise).
2. **Only the first time you do this: fill the salt reservoir with water.**
3. Position the funnel (see figure) and fill the salt reservoir right up to its edge (approximately 1 kg); it is not unusual for a little water to leak out.
4. Remove the funnel and wipe any salt residue away from the opening.

Make sure the cap is screwed on tightly, so that no detergent can get into the container during the wash program (this could damage the water softener beyond repair).

**Whenever you need to add salt, it is mandatory to complete the procedure before the beginning of the washing cycle to avoid corrosion.**

### SETTING THE WATER HARDNESS

To allow the water softener to work in a perfect way, it is essential that the water hardness setting is based on the actual water hardness in your house. This information can be obtained from your local water supplier. The factory sets the default value for the water hardness

- Switch on the appliance by pressing the **ON/OFF** button.
- Switch off the appliance by pressing the **ON/OFF** button.
- Hold down button **P** for 5 seconds, until you hear a beep.
- Switch on the appliance by pressing the **ON/OFF** button.
- The program indicator light of the current set level flashes.
- Press button **P** to select the desired hardness level (see *WATER HARDNESS TABLE*).

Water Hardness Table					
Level			°dH German degrees	°fH French degrees	°Clark English degrees
1	ECO	Soft	0 - 6	0 - 10	0 - 7
2		Medium	7 - 11	11 - 20	8 - 14
3		Average	12 - 16	21 - 29	15 - 20
4		Hard	17 - 34	30 - 60	21 - 42
5		Very hard	35 - 50	61 - 90	43 - 62

- Switch off the appliance by pressing the **ON/OFF** button.
- Setting is complete!

As soon as this procedure is complete, run a program without loading.

**Only use salt that has been specifically designed for dishwashers.**

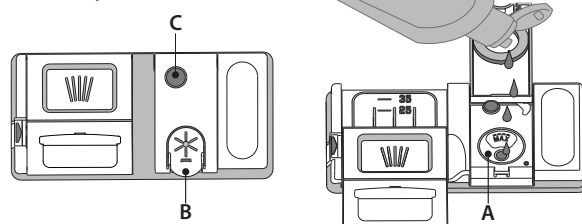
After the salt has been poured into the machine, the SALT REFILL indicator light switches off.

**If the salt container is not filled, the water softener and the heating element may be damaged as a result of limescale accumulation.**

**Using of Salt is recommended with any type of dishwasher detergent.**

### FILLING THE RINSE AID DISPENSER

Rinse aid makes dish DRYING easier. The rinse aid dispenser **A** should be filled when when the dark optical indicator on the dispenser door **C** becomes transparent.



1. Open the dispenser **B** by pressing and pulling up the tab on the lid.
  2. Pour in the rinse aid (max.110 ml), making sure it does not overflow from the dispenser. If this happens, clean the spill immediately with a dry cloth.
  3. Press the lid down until you hear a click to close it.
- NEVER pour the rinse aid directly into the appliance tub.**

### ADJUSTING THE DOSAGE OF RINSE AID

If you are not completely satisfied with the drying results, you can adjust the quantity of rinse aid used.

- Switch the dishwasher on using the **ON/OFF** button.
  - Switch it off using the **ON/OFF** button.
  - Press button **P** three times - a beep will be heard.
  - Switch it on using the **ON/OFF** button.
  - The program indicator light of the current set level flashes.
  - Press button **P** to select the level of rinse aid quantity to be supplied.
  - Switch it off using the **ON/OFF** button
- Setting is complete!

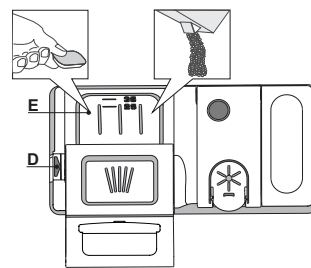
If the rinse aid level is set to 1 (ECO), no rinse aid will be supplied.

A maximum of 5 levels can be set according to the dishwasher model. The factory setting is specific to the model, please follow instruction above to check this for your machine.

- If you see bluish streaks on the dishes, set a low number (2-3).
- If there are drops of water or limescale marks on the dishes, set a mid-range number (4-5).

### FILLING THE DETERGENT DISPENSER

**To open the detergent dispenser use the opening device D. Introduce the detergent into the dry dispenser E only. Place the amount of detergent for pre-washing directly inside the tub.**




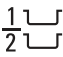


1. When measuring out the detergent refer to the mentioned earlier information to add the proper quantity. Inside the dispenser **E** there are indications to help the detergent dosing.
2. Remove detergent residues from the edges of the dispenser and close the cover until it clicks.
3. Close the lid of the detergent dispenser by pulling it up until the closing device is secured in place.

The detergent dispenser automatically opens up at the right time according to the program.

**Usage of detergent not designed for dishwashers may cause malfunction or damage to the appliance.**

# PROGRAMS TABLE

Program			Drying phase	Duration of wash program (h:min) <sup>*)</sup>	Water consumption (litres/cycle)	Energy consumption (kWh/cycle)
1. Eco	ECO	50°	✓	4:30	11.5	0.76
2. Intensive		65°	✓	2:30	15.5	1.50
3. Mixed		55°	✓	2:30	15.5	1.30
4. Rapid 40'		45°	-	0:40	8.5	0.90
5. Half Load		55°	✓	1:20	11.5	0.90

ECO program data is measured under laboratory conditions according to European Standard EN 60436:2020.

Note for Test Laboratories:

For information on comparative EN testing conditions, please send an email to the following address: [dw\\_test\\_support@europeanappliances.com](mailto:dw_test_support@europeanappliances.com)

Pre-treatment of the dishes is not needed before any of the programs.

\*) Values given for programs other than the program Eco are indicative only. The actual time may vary depending on many factors such as temperature and pressure of the incoming water, room temperature, amount of detergent, quantity and type of load, load balancing, additional selected options and sensor calibration. The sensor calibration can increase program duration by up to 20 min.

## PROGRAMS DESCRIPTION

### Instructions on wash cycle selection.

#### 1 ECO

Eco program is suitable to clean normally soiled tableware, that for this use, it is the most efficient program in terms of its combined energy and water consumption, and that it is used to assess compliance with the EU Ecodesign legislation.

#### 2 INTENSIVE

Program recommended for heavily soiled crockery, especially suitable for pans and saucepans (not to be used for delicate items).

#### 3 MIXED

Mixed soil. For normally soiled dishes with dried food residues.

#### 4 RAPID 40'

Program to be used for half load of lightly-soiled dishes with no dried food residues. Does not have drying phase.

#### 5 HALF LOAD

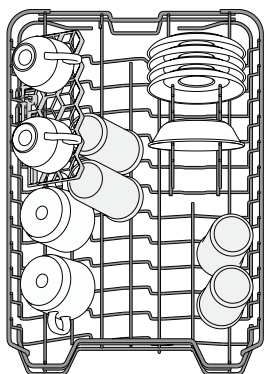
Ideal for washing a half load of lightly or normally soiled crockery.

#### Notes:

Please note that cycle Rapid 40' is dedicated for lightly soiled dishes.

# LOADING THE RACKS

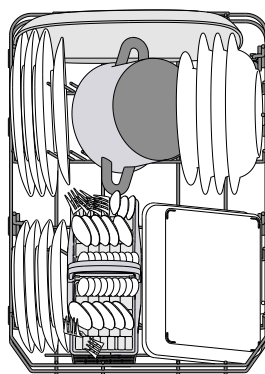
## UPPER RACK



Load delicate and light dishes: glasses, cups, saucers, low salad bowls.

(loading example for the upper rack)

## LOWER RACK



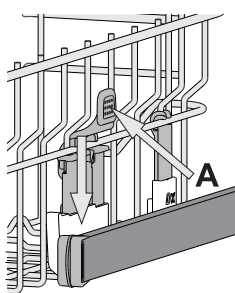
For pots, lids, plates, salad bowls, cutlery etc... Large plates and lids should ideally be placed at the sides to avoid interferences with the spray arm.

(loading example for the lower rack)

## ADJUSTING THE HEIGHT OF THE UPPER RACK

The height of the upper basket can be adjusted: high position to place bulky crockery in the lower basket and low position to make the most of the tip-up compartments by creating more space upwards.

The upper rack is equipped with a **Upper Rack height adjuster** (see figure), without pressing the levers, lift it up by simply holding the rack sides, as soon as the rack is stable in its upper position. To restore to the lower position, press the levers (**A**) at the sides of the rack and move the basket downwards.



**We strongly recommend that you do not adjust the height of the rack when it is loaded.**

**NEVER raise or lower the basket on one side only.**

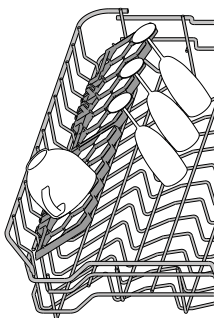
## FOLDABLE FLAPS WITH ADJUSTABLE POSITION

The side foldable flaps can be fold or unfold to optimize the arrangement of crockery inside the rack.

Wine glasses can be placed safely in the foldable flaps by inserting the stem of each glass into the corresponding slots.

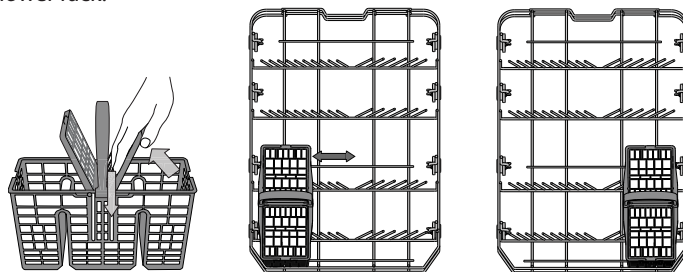
Depending on the model:

- to unfold the flaps there is needed to slide it up and rotate or release it from the snaps and pull it down.
- to fold the flaps there is needed to rotate it and slide flaps down or pull it up and attach flaps to the snaps.



## CUTLERY BASKET

The basket is equipped with top grilles for improved cutlery arrangement. The cutlery basket should be positioned only at the front of the lower rack.



**Knives and other utensils with sharp edges must be placed in the cutlery basket with the points facing downwards or they must be positioned horizontally in the tip-up compartments on the upper rack.**

## DAILY USE

### 1. CHECK WATER CONNECTION

Check that the dishwasher is connected to the water supply and that the tap is open.

### 2. SWITCH ON THE DISHWASHER

Open the door and press the **ON/OFF** button.

### 3. LOAD THE RACKS (see *LOADING THE RACKS*)

### 4. FILLING THE DETERGENT DISPENSER

### 5. CHOOSE THE PROGRAM AND CUSTOMISE THE CYCLE

Select the most appropriate program in accordance with the type of crockery and its soiling level (see *PROGRAMS DESCRIPTION*) by pressing the **P** button.

### 6. START

Start the wash cycle by pressing **START/Pause** button (led is lit) and closing the door within 4 sec. When the program starts you hear a single beep. If the door was not closed within 4sec., the alarm sound will be played. In this case, open the door, press **START/Pause** button and close the door again within 4 sec.

### 7. END OF WASH CYCLE

Skalbimo ciklo pabaiga rodoma pyptelėjimu ir mirksi pasirinktos programos indikatoriaus lemputė. Open the door and switch off the appliance by pressing the **ON/OFF** button.

Wait for a few minutes before removing the crockery - to avoid burns. Unload the racks, beginning with the lower one.

**The machine will switch off automatically during certain extended periods of inactivity, in order to minimise electricity consumption. If the crockery is only lightly soiled or if it has been rinsed with water before being placed in the dishwasher, reduce the amount of detergent used accordingly.**

### MODIFYING A RUNNING PROGRAM

If a wrong program was selected, it is possible to change it, provided that it has only just begun: open the door, press and hold the **ON/OFF** button, the machine will switch off.

Switch the machine back on using the **ON/OFF** button and select the new wash cycle and any desired options; Start the wash cycle by pressing **START/Pause** button and closing the door within 4 sec.

### ADDING EXTRA CROCKERY

Without switching off the machine, open the door (**START/Pause** led starts blinking) (**be ware of HOT steam!**) and place the crockery inside the dishwasher. Press the **START/Pause** button and close the door within 4 sec., the cycle will resume from the point at which it was interrupted.

### ACCIDENTAL INTERRUPTIONS

If the door is opened during the wash cycle, or if there is a power cut, the cycle stops. Press the **START/Pause** button and close the door within 4 sec., the cycle will resume from the point at which it was interrupted.

## ADVICE AND TIPS

### TIPS

Before loading the baskets, remove all food residues from the crockery and empty the glasses. You do not need to rinse beforehand under running water.

Arrange the crockery so that it is held in place firmly and does not tip over; and arrange the containers with the openings facing downwards and the concave/convex parts placed obliquely, thus allowing the water to reach every surface and flow freely.

**Warning:** lids, handles, trays and frying pans do not prevent the sprayer arms from rotating.

Place any small items in the cutlery basket.

Very soiled dishes and pans should be placed in the lower basket because in this sector the water sprays are stronger and allow a higher washing performance.

**After loading the appliance, make sure that the sprayer arms can rotate freely.**

### UNSUITABLE CROCKERY

- Wooden crockery and cutlery.
- Delicate decorated glasses, artistic handicraft and antique crockery. Their decorations are not resistant.
- Parts in synthetic material which do not withstand high temperatures.
- Copper and tin crockery.
- Crockery soiled with ash, wax, lubricating grease or ink.

The colours of glass decorations and aluminium/silver pieces can change and fade during the washing process. Some types of glass (e.g. crystal objects) can become opaque after a number of wash cycles too.

### DAMAGE TO GLASS AND CROCKERY

- Only use glasses and porcelain guaranteed by the manufacturer as dishwasher safe.
- Use a delicate detergent suitable for crockery
- Collect glasses and cutlery from the dishwasher as soon as the wash cycle is over.

### TIPS ON ENERGY SAVING

- When the household dishwasher is used according to the manufacturer's instructions, **washing tableware in a dishwasher usually consumes less energy and water than hand dishwashing.**
- In order to maximize dishwasher efficiency it is recommended to **initiate the wash cycle once dishwasher is fully loaded.** Loading the household dishwasher up to the capacity indicated by the manufacturer will contribute to energy and water savings. Information on correct loading of tableware can be found in *LOADING THE RACKS* chapter.
- In case of partial loading it is recommended to use dedicated wash options if available (Half load/ Zone Wash, Multizone), filling up only selected racks. Incorrect loading or overloading the dishwasher may increase resources usage (such as water, energy and time, as well as increase noise level), reducing cleaning and drying performance.
- Manual pre-rinsing of tableware items leads to increased water and energy consumption and is not recommended.

### HYGIENE

To avoid odour and sediment which can be accumulated in the dishwasher please **run a high temperature program at least one a month.** Use a tea spoon of detergent and run it without the loading to clean your appliance.

### RESISTANCE TO FROST

If the appliance is placed in surroundings exposed to the risk of frost, it **must be drained completely.** Turn off the water tap, remove the inlet and outlet hoses, and let all the water drain away. **Make sure that the water softener is full of dissolved regeneration salt in the salt container,** to protect the appliance from temperatures of up to -20°C. If the appliance was stored in frost conditions the appliance must remain at an ambient temperature of min. 5°C for **at least 24 hours** before the first run.

# CARE AND MAINTENANCE

## CLEANING THE FILTER ASSEMBLY

Regularly clean the filter assembly so that the filters do not clog and that the waste water flows away correctly.

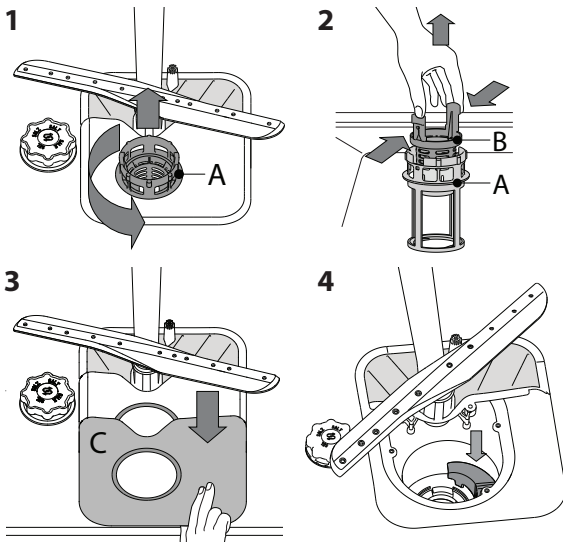
Using dishwasher with clogged filters or foreign objects inside filtration system or sprayarms may cause unit malfunction resulting in lose of performance, noisy work or higher resources usage.

The filter assembly consists of three filters which remove food residues from the washing water and then recirculate the water.

**The dishwasher must not be used without filters or if the filter is loose.**

At least once per month or after each 30 cycles, check the filter assembly and if necessary clean it thoroughly under running water, using a non-metallic brush and following the instructions below:

1. Turn the cylindrical filter **A** in an anti-clockwise direction and pull it out (Fig 1).
2. Remove the cup filter **B** by exerting a slight pressure on the side flaps (Fig 2).
3. Slide out the stainless-steel plate filter **C** (Fig 3).
4. In case you find foreign objects (such as broken glass, porcelain, bones, fruit seeds etc.) **please remove them carefully**.
5. Inspect the trap and remove any food residues. **NEVER REMOVE** the wash-cycle pump protection (black detail) (Fig 4) .



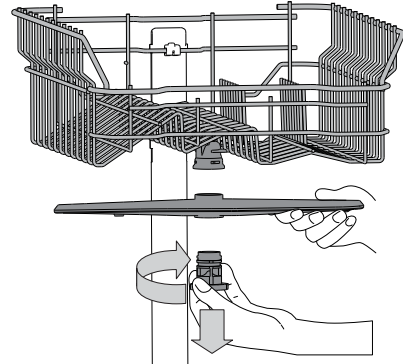
After cleaning the filters, re-place the filter assembly and fix it in position correctly; this is essential for maintaining the efficient operation of the dishwasher.

## CLEANING THE WATER INLET HOSE

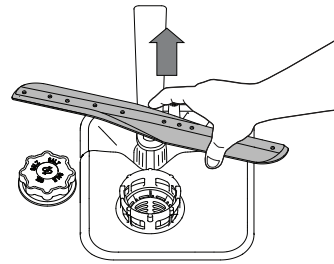
If the water hoses are new or have not been used for an extended period of time, let the water run to make sure it is clear and free of impurities before performing the necessary connections. If this precaution is not taken, the water inlet could become blocked and damage the dishwasher.

## CLEANING THE SPRAY ARMS

On occasions, food residue may become encrusted onto the spray arms and block the holes used to spray the water. It is therefore recommended that you check the arms from time to time and clean them with a small non-metallic brush.



To remove the upper spray arm, turn the plastic locking ring in a clockwise direction. The upper spray arm should be replaced so that the side with the greater number of holes is facing upwards.



The lower spray arm may be removed by pulling it upwards.

## WATER SOFTENING SYSTEM

Water softener automatically reduces water hardness, consequently preventing scale buildup on heater, contributing also to better cleaning efficiency.

**This system regenerates itself with salt, therefore it is required to refill salt container when empty.**

Frequency of regeneration depends on water hardness level setting - regeneration takes place once per **5** Eco cycles with water hardness level set to **3**.

Regeneration process starts in final rinse and finishes in drying phase, before cycle ends.

- Single regeneration consumes: ~3.5L of water;
- Takes up to 5 additional minutes for the cycle;
- Consumes below 0.005kWh of energy.

# TROUBLESHOOTING

In case your dishwasher doesn't work properly, check if the problem can be solved by going through the following list. For other errors or issues please contact authorized After-sales Service whose contact details can be found in the warranty booklet. Spare parts will be available for a period of either up to 7 or up to 10 years, according to the specific Regulation requirements.

PROBLEMS	POSSIBLE CAUSES	SOLUTIONS
The dishwasher won't start or does not respond to commands.	The appliance has not been plugged in properly.	Insert the plug into the socket.
	Power outage.	For safety reasons, dishwasher will not re-start automatically when power returns. Open dishwasher door, press START/Pause button and close the door within 4 seconds.
	The dishwasher door is not closed.	Vigorously push the door until you hear the "click".
	Cycle is interrupted by door opening for more than 4 seconds.	Press START/Pause and close the door within 4 seconds.
	It does not respond to commands.	Switch off the appliance by pressing the <b>ON/OFF</b> button, switch it back on after approximately one minute and restart the program. If problem persists, unplug the appliance for 1 minute, then plug it back in.
The dishwasher won't drain.	The wash cycle has not finished yet.	Wait until the wash cycle finishes.
	The drain hose is bent.	Check that the drain hose is not bent (see <i>INSTALLATION INSTRUCTION</i> ).
	The sink drain pipe is blocked.	Clean the sink drain pipe.
	The filter is clogged up with food residues.	Clean the filter (see <i>CLEANING THE FILTER ASSEMBLY</i> ).
The dishwasher makes excessive noise.	The dishes are rattling against each other.	Position the crockery correctly (see <i>LOADING THE RACKS</i> ).
	An excessive amount of foam has been produced.	The detergent has not been measured out correctly or it is not suitable for use in dishwashers (see <i>FILLING THE DETERGENT DISPENSER</i> ). Restart the current cycle by switching OFF the dishwasher, then switch it on again, select a new program, press START/Pause and close the door within 4 seconds. Please do not add any detergent.
The dishes are not clean.	The crockery has not been arranged properly.	Arrange the crockery correctly (see <i>LOADING THE RACKS</i> ).
	The spray arms cannot rotate freely, being hindered by the dishes.	Arrange the crockery correctly (see <i>LOADING THE RACKS</i> ).
	The wash cycle is too gentle.	Select an appropriate wash cycle (see <i>PROGRAMS TABLE</i> ).
	An excessive amount of foam has been produced.	The detergent has not been measured out correctly or it is not suitable for use in dishwashers (see <i>FILLING THE DETERGENT DISPENSER</i> ).
	The cap on the rinse aid compartment has not been shut correctly.	Make sure the cap of the rinse aid dispenser is closed.
	The filter is soiled or clogged.	Clean the filter assembly (see <i>CARE AND MAINTENANCE</i> ).
	There is no salt.	Fill the salt reservoir (see <i>FILLING THE SALT RESERVOIR</i> ).
The dishwasher does not fill the water. All LEDs are blinking rapidly	No water in the water supply or the tap is closed.	Make sure there is water in the water supply or the tap running.
	The inlet hose is bent.	Make sure the inlet hose is not bent (see <i>INSTALLATION</i> ) reprogram the dishwasher and reboot.
	The sieve in the water inlet hose is clogged; it is necessary to clean it	After having carried out the verification and cleaning, turn off and turn on the dishwasher and restart a new program.
Dishwasher finishes the cycle prematurely.	Drain hose positioned too low or siphoning into home sewage system.	Check if end of drain hose is placed at correct height (see <i>INSTALLATION</i> ). Check for siphoning into home sewage system, install air admittance valve if necessary.
	Air in water supply.	Check water supply for leaks or other issues letting air inside.
Detergent leaks.	Depends on the liquid detergent used and can be emphasized in case of delay option is activated.	Small leaks will not cause machine malfunction and can be avoided by changing liquid detergent type or using tablets.

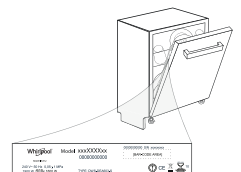
Policies, standard documentation, ordering of spare parts and additional product information can be found by:

- Using QR code on your product.
- Visiting our website [docs.hotpoint.eu](https://docs.hotpoint.eu) and [parts-selfservice.europeanappliances.com](https://parts-selfservice.europeanappliances.com)
- Alternatively, **contact our After-sales Service** (See phone number in the warranty booklet).

When contacting our After-sales Service, please state the codes provided on your product's identification plate.

The model information can be retrieved using the QR-Code reported in the energy label.

The label also includes the model identifier that can be used to consult the portal of the registry at <https://eprel.ec.europa.eu>.

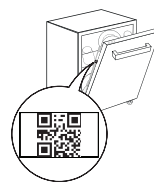


# РЪКОВОДСТВО ЗА ВСЕКИДНЕВНА СПРАВКА



**БЛАГОДАРИМ ВИ, ЧЕ ЗАКУПИХТЕ ПРОДУКТ НА HOTPOINT.** За да получавате по-пълно съдействие, регистрирайте Вашия уред на: [www.hotpoint.eu/register](http://www.hotpoint.eu/register)

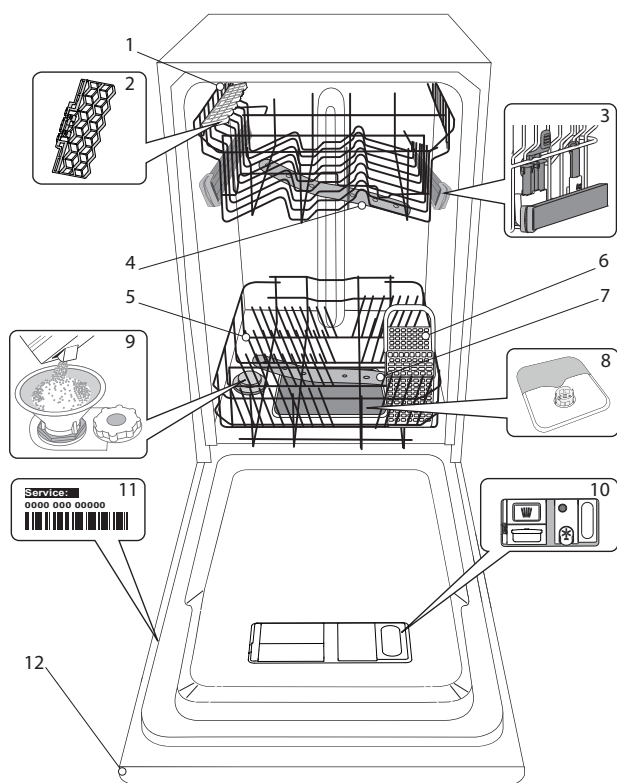
**ЗА ПОЛУЧАВАНЕ НА ПО-ПОДРОБНА ИНФОРМАЦИЯ, МОЛЯ, СКАНИРАЙТЕ QR КОДА НА ВАШИЯ УРЕД**



**Преди да използвате уреда, прочетете внимателно указанията за безопасност и инсталиране.** След инсталиране не забравяйте да махнете всички транспортни части от съдомиялната.

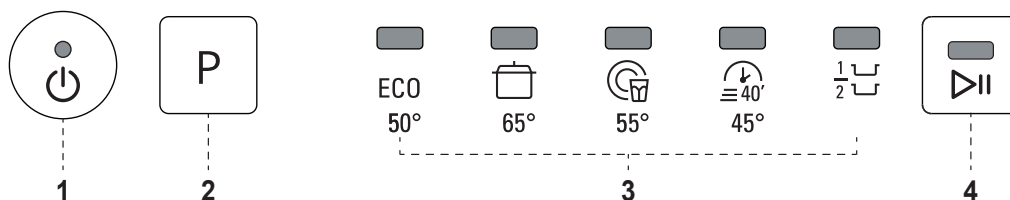
## ОПИСАНИЕ НА ПРОДУКТА

### УРЕД



1. Горна кошница
2. Сгъваеми капаци
3. Регулатор за височината на горната кошница
4. Горно разпръскващо рамо
5. Долна кошница
6. Кошничка за прибори
7. Долно разпръскващо рамо
8. Филтърен възел
9. Резервоар за сол
10. Дозатори за препарат и помощно средство за изплакване
11. Табелка с данни
12. Контролен панел

### КОНТРОЛЕН ПАНЕЛ



1. Бутон Вкл.-Изкл./Нулиране със светлинен индикатор
2. Бутон за избиране на програма
3. Светлинни индикатори за програми
4. Бутон Старт/Пауза със светлинен индикатор

# Hotpoint

ARISTON

# УПОТРЕБА ЗА ПРЪВ ПЪТ

## СОЛ, ПОМОЩНО СРЕДСТВО ЗА ИЗПЛАКВАНЕ И ПОЧИСТВАЩ ПРЕПАРАТ

### СЪВЕТИ ЗА УПОТРЕБА ЗА ПЪРВИ ПЪТ

След монтаж отстранете блокиращите елементи от кошниците и задържащите ластици от горната кошница.

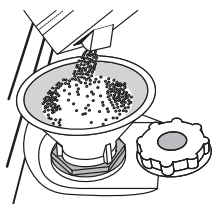
### ЗАРЕЖДАНЕ НА РЕЗЕРВОАРА ЗА СОЛ

Използването на сол предотвратява образуването на КОТЛЕН КАМЪК по съдовете и функционалните компоненти на машината.

• Задължително е **РЕЗЕРВОАРЪТ ЗА СОЛ НИКОГА ДА НЕ ОСТАВА ПРАЗЕН.**

• Важно е да зададете твърдостта на водата.

Резервоарът за сол се намира в долната част на съдомиялната машина (вж. „ОПИСАНИЕ НА УРЕДА“) и трябва да се допълва със сол, когато зеленият поплавък на капачката не се вижда.



1. Отстранете долната кошница и развийте капачката на резервоара (обратно на часовниковата стрелка).
2. Само първия път правите това: **напълнете резервоара за сол с вода.**
3. Поставете фунията (вж. фигурата) и напълнете резервоара за сол до ръба (около 1 kg); Не е необичайно да изтече малко вода.
4. Отстранете фунията и забършете остатъците от сол от отвора.

Уверете се, че капачката е завита здраво, така че по време на програмата за миене препаратът да не може да влезе в резервоара (това може да повреди непоправимо омекотителя за вода).

**Когато е необходимо да добавите сол, е задължително да направите това преди започване на цикъла на измиване, за да се избегне корозия.**

### НАСТРОЙВАНЕ НА ТВЪРДОСТТА НА ВОДАТА

За да може омекотителят за вода да работи идеално, е особено важно настройката за твърдостта на водата да се базира на реалната твърдост на водата в дома ви. Можете да получите тази информация от местния си доставчик на вода.

Нивото по подразбиране за твърдост на водата е фабрично зададено.

- Включете уреда, като натиснете бутона **ВКЛ./ИЗКЛ.**
- Изключете уреда, като натиснете бутона **ВКЛ./ИЗКЛ.**
- Натиснете и задръжте бутона **P** за 5 секунди, докато чуete звуков сигнал.
- Включете уреда, като натиснете бутона **ВКЛ./ИЗКЛ.**
- Светлинният индикатор за програма на текущо настроеното ниво мига.
- Натиснете бутона **P**, за да изберете желаното ниво на твърдост (вж. ТАБЛИЦА НА ТВЪРДОСТТА НА ВОДАТА).

Таблица на твърдостта на водата

Ниво	°dH Германски градуси	°fH Френски градуси	°Clark Английски градуса
1 Мека	0 - 6	0 - 10	0 - 7
2 Умерена	7 - 11	11 - 20	8 - 14
3 Средна	12 - 16	21 - 29	15 - 20
4 Твърда	17 - 34	30 - 60	21 - 42
5 Много твърда	35 - 50	61 - 90	43 - 62

• Изключете уреда, като натиснете бутона **ВКЛ./ИЗКЛ.**

Настройката е завършена!

Веднага след завършването на процедурата пуснете програмата без съдове.

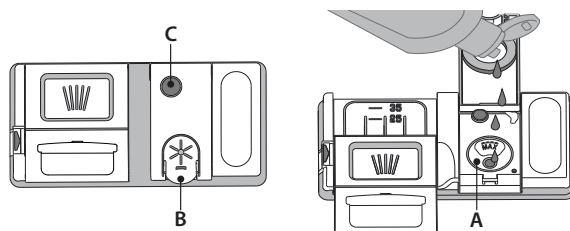
**Използвайте само сол, която е предназначена специално за съдомиялни машини.**

**Ако контейнерът за сол не бъде напълнен, възможно е в резултат на натрупване на варовик да се повреди омекотителят за вода и нагревателният елемент.**

**Използването на сол е препоръчително с всякакъв тип миялен препарат.**

### ЗАРЕЖДАНЕ НА ДОЗАТОРА ЗА ПОМОЩНО СРЕДСТВО ЗА ИЗПЛАКВАНЕ

Използването на препарат за изплакване улеснява СУШЕНЕТО. Резервоарът за препарат за изплакване **A** трябва да се напълни, когато черният индикатор на вратичката на резервоара **C** стане прозрачен.



1. Отворете дозатора **B**, като натиснете и дръпнете нагоре издатината на капака.
2. Внимателно добавете помощното средство за изплакване до максималната (110 ml) референтна маркировка на мястото за пълнене - избягвайте да разливате. Ако това се случи, почистете разливането незабавно със суха кърпа
3. Натиснете капака надолу, докато чуete щракване, за да го затворите. **НИКОГА НЕ НАЛИВАЙТЕ ПОМОЩНОТО СРЕДСТВО ЗА ИЗПЛАКВАНЕ НАПРАВО ВЪВ ВАНИЧКАТА.**

### РЕГУЛИРАНЕ НА ДОЗИРАНЕТО НА ПОМОЩНОТО СРЕДСТВО ЗА ИЗПЛАКВАНЕ

Ако не сте напълно доволни от резултатите от сушенето, можете да регулирате използваното количество помощно средство за изплакване.

- Включете съдомиялната машина с бутон **ВКЛ./ИЗКЛ.**
- Изключете я с бутон **ВКЛ./ИЗКЛ.**
- Натиснете бутона **P** три пъти - ще чуete звуков сигнал.
- Включете я с бутон **ВКЛ./ИЗКЛ.**
- Светлинният индикатор за програма на текущо настроеното ниво мига.
- Натиснете бутона **P**, за да изберете желаното ниво на количеството помощно средство за изплакване.
- Изключете я с бутон **ВКЛ./ИЗКЛ.**

Настройката е завършена!

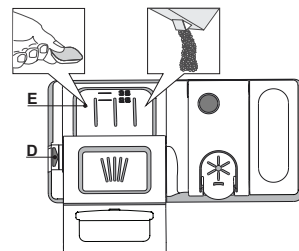
Ако нивото на помощното средство за изплакване е зададено на 1 (ЕКО), няма да се подава помощно средство за изплакване.

Според модела на съдомиялната машина могат да се задават максимум 5 нива. Фабричната настройка е специфична за всеки модел; следвайте инструкциите по-горе, за да проверите относно ли се настройката за Вашата машина.

- Ако видите синкави петна по съдовете, задайте нисък номер (2-3).
- Ако по съдовете има капки вода или следи от котлен камък, задайте висок номер (4-5).

### ЗАРЕЖДАНЕ НА ДОЗАТОРА ЗА МИЯЛЕН ПРЕПАРАТ

**За да отворите дозатора за препарат, използвайте приспособление D. Налейте препарата само в сухия дозатор E. Поставете количеството препарат за предварително измиване направо във ваничката.**



1. При измерване на препарата првете справка със споменатата информация по-горе, за да добавите подходящо количество. в дозатора **E** има индикатори, за да помогнат за дозирането на миялния препарат.
2. Отстранете остатъците от препарат от ръбовете на дозатора и затворете капака, докато щракне.
3. Затворете капака на дозатора за препарат, като го дръпнете нагоре, докато приспособлението за затваряне се закрепва на място.

Дозаторът за препарат се отваря автоматично в правилния момент според програмата.

**Използването на миялен препарат, който не е предназначен за съдомиялни машини, може да причини неизправност или повреда на уреда.**

# ТАБЛИЦА НА ПРОГРАМИТЕ

Програма	Фаза на сушене	Времетраене на програмата за миене (ч:мин) <sup>*)</sup>	Потребление на вода (литра/програма)	Потребление на енергия (kWh/програма)
1. Еко	ECO 50° ✓	4:30	11.5	0.76
2. Интензивна	 65° ✓	2:30	15.5	1.50
3. Смесени	 55° ✓	2:30	15.5	1.30
4. Бърза 40'	 45° -	0:40	8.5	0.90
5. Половин зареждане	 55° ✓	1:20	11.5	0.90

Данните за програмата ЕКО са измерени в лабораторни условия съгласно Европейски стандарт EN 60436:2020.

Бележки за тестовите лаборатории: за информация относно сравнимите с EN тестови условия изпратете имейл на следния адрес: [dw\\_test\\_support@europeanappliances.com](mailto:dw_test_support@europeanappliances.com)

Не е необходимо предварително третиране на съдовете преди пускане на която и да било програма.

\*) Стойностите, дадени за програмите, с изключение на програмата Еко, са само ориентировъчни. Реалното време може да се различава в зависимост от множество фактори, като температурата и налягането на подаваната вода, температурата в помещението, количеството препарат, количеството и вида на зареждането, балансирането на зареждането, допълнителните избрани опции и калибрирането на сензора. Калибрирането на сензора може да увеличи продължителността на програмата с до 20 мин.

## ОПИСАНИЕ НА ПРОГРАМИТЕ

### Указания за избор на програма за миене.

#### 1 ЕКО

Програмата Еко е подходяща за почистване на нормално замърсена домакинска посуда, като използвана по този начин, програмата е най-ефективна по отношение на комбинираното потребление на енергия и вода и отговаря на законодателството на ЕС по отношение на екологичния дизайн.

#### 2 ИНТЕНЗИВНА

Програма, препоръчвана за силно замърсени съдове, особено подходяща за тигани и тенджери (да не се използва за фини изделия).

#### 3 СМЕСЕНИ

Смесени замърсявания. За нормално замърсени съдове със засъхнали остатъци от храна.

#### 4 БЪРЗА 40'

Програма, която да се използва при наполовина пълна съдомиялна или леко замърсени съдове без засъхнали остатъци от храна. Няма фаза на сушене.

#### 5 ПОЛОВИН ЗАРЕЖДАНЕ

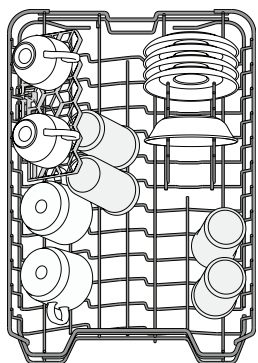
Идеална за измиване при половин зареждане на леко или нормално замърсени съдове.

#### Забележки:

Имайте предвид, че програмата *Бърза 40'* е предназначена за леко замърсени съдове.

# ЗАРЕЖДАНЕ НА КОШНИЦИТЕ

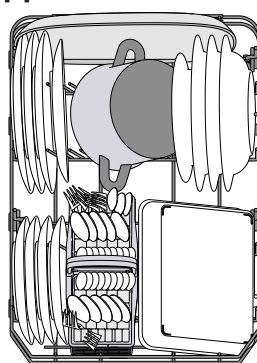
## ГОРНА КОШНИЦА



Заредете деликатните и леки съдове: стъклени и порцеланови чаши, чинийки, ниски купи за салата.

(пример за зареждане на горната кошница)

## ДОЛНА КОШНИЦА



За тенджери, капаци, чинии, купи за салата и т.н. Едрите чинии и капаци следва в идеалния случай да се поставят от страни, за да не възпрепятстват разпръскващото рамо.

(пример за зареждане на долната кошница)

## РЕГУЛИРАНЕ НА ВИСОЧИНАТА НА ГОРНАТА КОШНИЦА

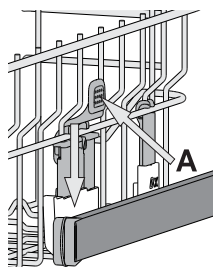
Височината на горната кошница може да се регулира: висока позиция за поставяне на обемни съдове в долната кошница и ниска позиция за пълноценно използване на наклонящите се опори, като се създава повече място нагоре и се избягва сблъскване с изделията в долната кошница.

Горната кошница е оборудвана с **Регулатор на височината на горната кошница** (вж. фигурата), без да натискате лостовите, повдигнете нагоре, като просто хванете кошницата от страни веднага след като кошницата стане стабилна в по-високата си позиция.

За да възстановите по-ниската позиция, натиснете лостовите **A** от страни на кошницата и преместете кошницата надолу.

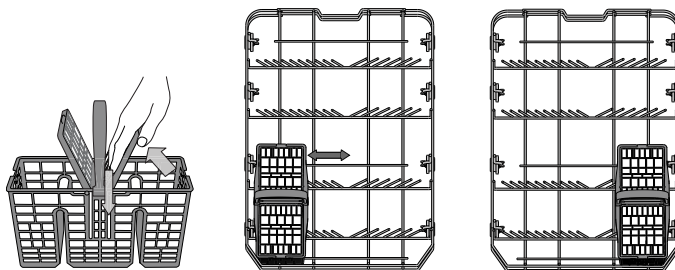
**Силно препоръчваме да не регулирате височината на кошницата, когато е заредена.**

**НИКОГА не повдигайте или спускайте кошницата само от едната страна.**



## КОШНИЧКА ЗА ПРИБОРИ

Оборудвана е с горни решетки за по-добро подреждане на приборите. Тя трябва да се позиционира само от предната страна на долната кошница.



Ножовете и другите прибори с остри ръбове трябва да се поставят в кошничката за прибори с остриетата надолу или да се позиционират хоризонтално в наклонящите се отделения на горната кошница.

## СГЪВАЕМИ КАПАЦИ С РЕГУЛИРУЕМА ПОЗИЦИЯ

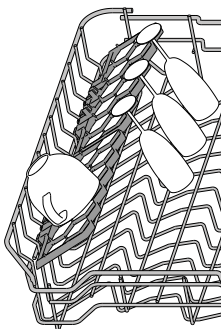
Страничните капаци могат да се сгъват или разгъват, за да се оптимизира подреждането на съдовете в кошницата.

Чашите за вино могат да се поставят безопасно в сгъваемите капаци, като столчето на всяка чаша се вмъкне в съответния процеп.

В зависимост от модела:

- за да разгънете капациите, е необходимо да ги плъзнете нагоре и да ги завъртите или да ги освободите от закопчалките им и да ги издърпате надолу.

- за да сгънете капациите, е необходимо да ги завъртите и да плъзнете капациите надолу или да ги дръпнете нагоре и да ги закачите за закопчалките.



# ВСЕКИДНЕВНА УПОТРЕБА

## 1. ПРОВЕРКА НА ВОДНАТА ВРЪЗКА

Проверете дали съдомиялната машина е свързана към водопроводната мрежа и дали кранът е отворен.

## 2. ВКЛЮЧЕТЕ СЪДОМИЯЛНАТА МАШИНА

Отворете вратичката и натиснете бутона **ВКЛ./ИЗКЛ.**

## 3. ЗАРЕДЕТЕ КОШНИЦИТЕ

(вж. **ЗАРЕЖДАНЕ НА КОШНИЦИТЕ**)

## 4. ЗАРЕЖДАНЕ НА ДОЗАТОРА ЗА МИЯЛЕН ПРЕПАРАТ

## 5. ИЗБЕРЕТЕ ПРОГРАМАТА И ПЕРСОНАЛИЗИРАЙТЕ ПРОГРАМАТА

Изберете най-подходящата програма според вида на съдовете и нивото на замърсяване (вж. **ОПИСАНИЕ НА ПРОГРАМИТЕ**) чрез натискане на бутона **P**.

Изберете желаните опции (вж. **ОПЦИИ И ФУНКЦИИ**).

## 6. СТАРТ

Стартирайте цикъла на измиване, като натиснете бутона **СТАРТ/Пауза** (светодиодът светва) и затворите вратичката в рамките на 4 секунди. Когато програмата стартира, се чува еднократен сигнал. Ако вратичката не бъде затворена в рамките на 4 секунди, ще се възпроизведе звукова аларма. В този случай отворете вратичката, натиснете бутона **СТАРТ/Пауза** и отново затворете вратичката в рамките на 4 секунди.

## 7. КРАЯТ НА ПРОГРАМАТА

Завършването на цикъла на миене се сигнализира със звуков сигнал и от мигане на индикаторната лампа на избраната програма. Отворете вратичката и изключете уреда, като натиснете бутона **ВКЛ./ИЗКЛ.**

Изчакайте няколко минути, преди да премахнете съдовете, за да избегнете изгаряния. Извадете съдовете, като започнете от долната кошница.

Машината се изключва автоматично при определени продължителни периоди на неактивност, за да сведе до минимум потреблението на енергия.

Ако съдовете са само леко замърсени или ако са изплакнати с вода преди да се поставят в съдомиялната машина, намалете съответно количеството използван препарат.

## МОДИФИЦИРАНЕ НА РАБОТЕЩА ПРОГРАМА

Ако е избрана грешна програма, можете да я промените, при условие че тя е започнала току-що: отворете вратичката, натиснете и задръжте бутона **ВКЛ./ИЗКЛ.**, машината ще се изключи. Включете машината отново с бутона **ВКЛ./ИЗКЛ.** и изберете новата програма за миене и желаните опции; стартирайте програмата, като натиснете бутона **СТАРТ/ПАУЗА** и затворите вратичката в рамките на 4 секунди.

## ДОБАВЯНЕ НА СЪДОВЕ

Без да изключвате машината, отворете вратичката (светодиодът **СТАРТ/ПАУЗА** започва да мига) (**внимание с ГОРЕЩАТА пара!**) и поставете съдовете в миалната машина. Натиснете бутона **СТАРТ/ПАУЗА** и в рамките на 4 секунди затворете вратичката, програмата се възобновява от момента, в който е била прекъсната.

## СЛУЧАЙНИ ПРЕКЪСВАНИЯ

Ако вратичката бъде отворена по време на програма за миене или при прекъсване на захранването, програмата спира. За да подновите програмата, откъдето е прекъсната, натиснете бутона **СТАРТ/ПАУЗА** и затворете вратичката в рамките на 4 секунди.

# ПОЛЕЗНИ СЪВЕТИ

## СЪВЕТИ

Преди да зареждате кошниците, отстранете всички остатъци от храна от съдовете и изпразнете чашите. **Не е нужно да изплаквате предварително с течаща вода.**

Подредете съдовете така, че да се задържат добре на място и да не се обърнат; и подредете съдовете с отворите надолу и разположете вдлъбнатите/изпъкналите части така, че водата да може да достигне всяка повърхност и да тече свободно.

**Предупреждение:** капациите, дръжките, подносите и тиганите за пържене трябва да не пречат на въртенето на разпръскващите рамене.

Поставете дребните артикули в кошницата за прибори. Много замърсените съдове и тенджери следва да се поставят в долната кошница, тъй като в този сектор водните струи са по-силни и позволяват по-добра ефективност при миене. След като заредите уреда, проверете дали разпръскващите рамене могат да се въртят свободно.

## НЕПОДХОДЯЩИ СЪДОВЕ

- Дървени съдове и прибори.
- Деликатни чаши с декорации, артистични ръчно изработени съдове и антики. Декорациите им не са устойчиви.
- Части от синтетични материали, които не са устойчиви на високи температури.
- Медни и калаени съдове.
- Замърсени с пепел, въсък, грес или мастило съдове.

Цветовете на стъклените декорации и частите от алуминий/сребро могат да се променят и да избледнеят в процеса на миене. Някои видове стъкло (напр. кристалните предмети) могат да станат непрозрачни след няколко измивания.

## ПОВРЕДИ ПО ЧАШИТЕ И СЪДОВЕТЕ

- Използвайте само стъклени и порцеланови съдове, за които производителят гарантира, че са подходящи за съдомиялна машина.
- Използвайте деликатен почистващ препарат, подходящ за Вашите съдове
- Изваждайте чашите и приборите от съдомиялната машина веднага след края на програмата за миене.

## СЪВЕТИ ЗА ПЕСТЕНЕ НА ЕНЕРГИЯ

- Когато домашната съдомиялна машина се използва съгласно инструкциите на производителя, **измиването на посуда в съдомиялна обикновено консумира ПО-МАЛКО ЕНЕРГИЯ И ВОДА в сравнение с миенето на ръка.**
- За да максимизирате ефективността на съдомиялната машина, **препоръчително е да стартирате цикъл на миене, след като машината е заредена докрай. Зареждането на домашната съдомиялна машина до капацитета**, посочен от производителя, ще спомогне да спестите енергия и вода. Информация относно правилното зареждане на посудата можете да намерите в глава **ЗАРЕЖДАНЕ НА КОШНИЦИТЕ**. При частично зареждане е препоръчително да използвате специално предназначения опции (Half load/ Zone Wash/ Multi-zone), като напълните само избраните кошници. Неправилното зареждане или препълване на съдомиялната машина може да увеличи потреблението на ресурси (като вода, енергия и време, както и да увеличи нивото на шум), което ще намали ефективността на измиване и сушене.
- Предварителното изплакване на посудата на ръка води до увеличено потребление на вода и енергия, затова не е препоръчително.

## ХИГИЕНА

За да избегнете миризми и утайки, които могат да се натрупат в съдомиялната машина, **моля, пускайте програма при висока температура най-малко веднъж месечно.** Използвайте супена лъжица препарат и пуснете уреда без да зареждате съдове, за да го почистите.

## УСТОЙЧИВОСТ НА МРАЗ

Ако уредът е поставен на място, изложено на риск от замръзване, **той трябва да се източи напълно.** Затворете крана за вода, отстранете входящия и изходящия маркуч и оставете цялата вода да изтече. **Уверете се, че омокителят за вода е пълен с разтворена регенерираща сол в контейнера за сол**, за да предпазите уреда от температури до -20°C.

Ако уредът е бил съхраняван при условия на замръзване, уредът трябва да остане при температура на околната среда мин. 5°C за **поне 24 часа** преди първото пускане.

# ГРИЖИ И ПОДДРЪЖКА

## ПОЧИСТВАНЕ НА ФИЛТЪРНИЯ ВЪЗЕЛ

Почиствайте филтърния възел редовно, така че филтрите да не се запушват и отпадъчната вода да се източва правилно.

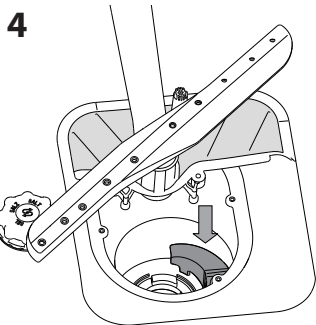
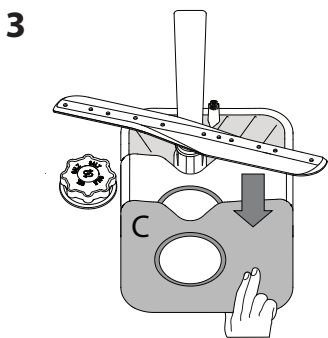
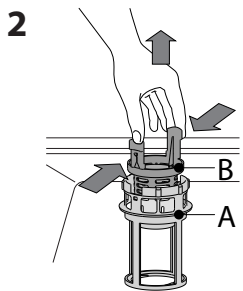
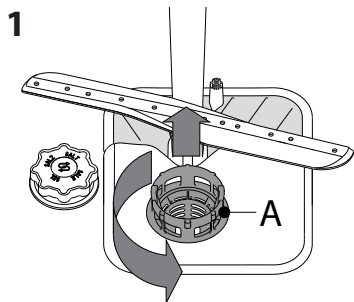
Използването на съдомиялната машина със запушени филтри или външни предмети във филтриращата система или пръскащите рамена, може да влоши работата на уреда и да доведе до намаляване на работните характеристики, шум по време на работа или повишено потребление на ресурси.

Филтърният възел се състои от три филтъра, които премахват остатъците от храна от водата от измиване и след това рециркулират водата.

**Съдомиялната машина не трябва да се използва без филтри или ако филтърът е разхлабен.**

Най-малко веднъж месечно или на всеки 30 цикъла проверявайте филтърния блок и при необходимост го почистете старателно с течаща вода, като използвате неметална четка и следвайте инструкциите по-долу:

1. Завъртете цилиндричния филтър **A** обратно на часовниковата стрелка и го издърпайте (Фиг. 1).
2. Свалете филтъра чашка **B**, като приложите лек натиск върху страничните капаци (Фиг. 2).
3. Плъзнете навън филтъра-пластина от неръждаема стомана **C** (Фиг. 3).
4. В случай че намерите външни предмети (като счупени стъкла, порцелан, кости, семена на плодове и др.), **внимателно ги отстранете**.
5. Проверете уловителя и премахнете остатъците от храна. **НИКОГА НЕ МАХАЙТЕ** предпазителя на помпата за цикъла на измиване (черния елемент) (Фиг. 4).



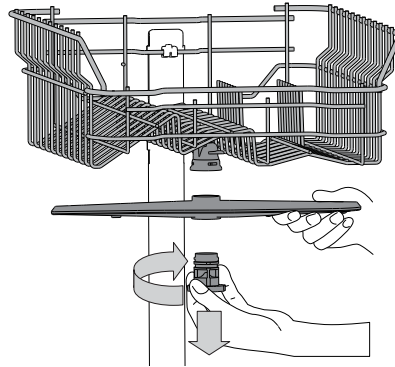
След почистване на филтрите поставете филтърния блок отново и го закрепете правилно на място; това е от ключово значение за поддържане на ефективната работа на съдомиялната машина.

## ПОЧИСТВАНЕ НА МАРКУЧА ЗА ПОДАВАНЕ НА ВОДА

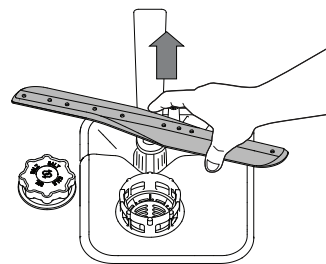
Ако маркучите за вода са нови или не са използвани продължително време, оставете водата да тече, за да се уверите, че е прозрачна и без замърсявания, преди да изпълнявате нужните връзки. Ако тази предпазна мярка не бъде взета, входът за вода може да се блокира и да повреди съдомиялната машина.

## ПОЧИСТВАНЕ НА РАЗПРЪСКВАЩИТЕ РАМЕНЕ

Понякога остатъците от храна е възможно да засъхнат върху разпръскващите рамена и да запушат отворите за разпръскване на вода. Следователно се препоръчва да проверявате раменете от време на време и да ги почиствате с малка неметална четка.



За да премахнете горното разпръскващо рамо, завъртете пластмасовия заключващ пръстен по посока на часовниковата стрелка. Горното разпръскващо рамо следва да се поставя така, че страната с по-голям брой отвори да е насочена нагоре.



Можете да свалите долното разпръскващо рамо, като го издърпате нагоре.

## СИСТЕМА ЗА ОМЕКОТЯВАНЕ НА ВОДАТА

Омекотителят за вода намалява автоматично твърдостта на водата, като по този начин предотвратява натрупването на варовик по нагревателя и повишава ефективността при почистване.

**Системата се регенерира сама със сол, затова е необходимо да допълвате контейнера със сол, когато се изпразни.**

Честотата на регенериране зависи от настройката на нивото на твърдост на водата - регенерирането се извършва веднъж на всеки 6 цикъла Есо с ниво на твърдост на водата, зададено на 3. Процесът на регенериране започва във фазата на последното изплакване и завършва във фазата на сушене, преди цикълът да завърши.

- Едно регенериране използва: ~3,5 литра вода;
- Към цикъла се добавят 5 допълнителни минути;
- Консумират се по-малко от 0,005 kWh енергия.

# ОТСТРАНЯВАНЕ НА НЕИЗПРАВНОСТИ

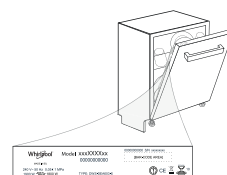
В случай че съдомиялната машина не работи нормално, проверете дали проблемът може да бъде решен, като прегледате следния списък. За други грешки или неизправности се свържете с отдела за следпродажбено обслужване, като данните за контакт можете да намерите в книжката за гаранцията. Резервните части ще бъдат налични за период от 7 или до 10 години, в съответствие със специфичните изисквания на регламента.

ПРОБЛЕМИ	ВЪЗМОЖНИ ПРИЧИНИ	РЕШЕНИЯ
☐ Индикаторът за сол свети	Резервоарът за сол е празен. (След допълване на сол индикаторът може да остане да свети още няколко цикъла на миене).	Напълнете отново резервоара със сол (за повече информация – вж. стр. 2). Регулирайте твърдостта на водата – вижте таблицата, стр. 2.
☼ Индикаторът за препарат за блясък свети	Дозаторът за препарат за блясък е празен. (След допълване на препарат за блясък индикаторът може да остане да свети още няколко цикъла на миене).	Напълнете отново дозатора на препарата за блясък (за повече информация – вж. стр. 2).
Съдомиялната машина не стартира или не реагира на команди.	Уредът не е включен в контакта както трябва.	Включете щепсела в контакта.
	Спиране на захранването.	От съображения за безопасност съдомиялната машина може да не стартира автоматично след пускане на електрозахранването. Отворете вратичката, натиснете бутона СТАРТ/Пауза и затворете вратичката в рамките на 4 секунди.
	Вратичката на съдомиялната не е затворена.	Натиснете вратичката силно, докато чуete щракване.
	Цикълът е прекъснат от отваряне на вратичката за повече от 4 секунди.	Натиснете СТАРТ/Пауза и затворете вратичката в рамките на 4 секунди.
Съдомиялната машина не източва.	Не реагира на команди.	Изключете уреда, като натиснете бутона <b>ВКЛ./ИЗКЛ.</b> , включете я отново след около една минута и нулирайте програмата. Ако проблемът не бъде отстранен, изключете уреда от щепсела за 1 минута и отново включете щепсела.
	Програмата все още не е завършила.	Изчакайте програмата да завърши.
	Маркучът за източване е прегънат. Тръбата за източване на мивката е запушена. Филтърът е запушен с остатъци от храна	Проверете дали маркучът за източване не е прегънат (вж. ИНСТРУКЦИЯ ЗА МОНТАЖ). Почистете тръбата за източване на мивката. Почистете филтъра (вж. ПОЧИСТВАНЕ НА ФИЛТЪРНИЯ МЕХАНИЗЪМ).
Съдомиялната създава прекомерно много шум.	Съдовете тракат един в друг.	Подредете съдовете правилно (вж. ЗАРЕЖДАНЕ НА КОШНИЦИТЕ).
	Създадо се е прекалено голямо количество пяна.	Препаратът не е измерен правилно или не е подходящ за използване в съдомиялни машини (вж. ДОПЪЛВАНЕ НА ДОЗАТОРА ЗА ПОЧИСТВАЩ ПРЕПАРАТ). Рестартирайте текущия цикъл, като изключите и отново включите съдомиялната машина, изберете нова програма, натиснете СТАРТ/Пауза и затворете вратичката в рамките на 4 секунди. Не добавяйте никакъв измиващ препарат.
Съдовете не са почистени.	Съдовете не са подредени както трябва.	Подредете съдовете правилно (вж. ЗАРЕЖДАНЕ НА КОШНИЦИТЕ).
	Разпръскащите рамене не могат да се въртят свободно, тъй като са възпрепятствани от съдовете.	Подредете съдовете правилно (вж. ЗАРЕЖДАНЕ НА КОШНИЦИТЕ).
	Цикълът на измиване е твърде лек.	Изберете подходящ цикъл на измиване (вж. ТАБЛИЦА С ПРОГРАМИ).
	Създадо се е прекалено голямо количество пяна.	Препаратът не е измерен правилно или не е подходящ за използване в съдомиялни машини (вж. ДОПЪЛВАНЕ НА ДОЗАТОРА ЗА ПОЧИСТВАЩ ПРЕПАРАТ).
	Капачката на отделението за помощно средство за изплакване не е затворена правилно.	Уверете се, че капачката на дозатора за помощно средство за изплакване е затворена.
	Филтърът е замърсен или запушен.	Почистете филтърния механизъм (вж. ГРИЖА И ПОДДРЪЖКА).
Съдомиялната машина не зарежда вода.	Няма сол.	Допълнете резервоара за сол (вж. ДОПЪЛВАНЕ НА РЕЗЕРВОАРА ЗА СОЛ).
	Не се подава вода или кранът е затворен.	Уверете се, че се подава вода или кранът е отворен.
Всички светодиоди са мига бързо	Маркучът за подаване на вода е прегънат.	Уверете се, че маркучът за подаване на вода не е прегънат (вижте ИНСТАЛИРАНЕ), включете нова програма на съдомиялната и я рестартирайте.
	Мрежестият филтър в маркуча за подаване на вода е запушен; необходимо е да го почистите.	След изпълняване на проверката и почистването изключете и включете съдомиялната машина и рестартирайте нова програма.
Съдомиялната машина спира цикъла преждевременно.	Маркучът за източване е поставен твърде ниско или водата се източва в домашната канализационна система.	Проверете дали краят на маркуча за източване е поставен на правилната височина (вижте ИНСТАЛИРАНЕ). Проверете за източване в домашната канализационна система и ако е необходимо, монтирайте въздушен вентил.
	Въздух в системата за подаване на вода.	Проверете системата за подаване на вода за течове или други проблеми, водещи до навлизане на въздух.
Изтичането на детергент.	Зависи от използвания течен детергент и може да бъде подчертано в случай на активирана опция за забавяне.	Малките течове няма да доведат до неизправност на машината и могат да бъдат избегнати, като се промени видът на течния перилен препарат или се използват таблетки.

## Фирмени политики, стандартна документация, поръчка на резервни части и допълнителна информация за продукти можете да намерите на:

- Посетете нашия уебсайт [docs.hotpoint.eu](https://docs.hotpoint.eu) и [parts-selfservice.europeanappliances.com](https://parts-selfservice.europeanappliances.com)
- Използвайте QR кода
- Като алтернатива можете да се свържете с отдела за следпродажбено обслужване (вижте телефонния номер в гаранционната книжка). При контакт с отдела за следпродажбено обслужване на клиенти съобщавайте кодовете, посочени на заводската табелка на Вашия уред.

Информацията за модела може да бъде извлечена чрез сканиране на QR кода на етикетата за енергийния клас. На етикетата също така е даден идентификатор на модела, който може да се използва за достъп до портала на регистъра на адрес <https://eprel.ec.europa.eu>



# Hotpoint

ARISTON

# VODIČ ZA SVAKODNEVNU UPOTREBU



**ZAHVALJUJEMO VAM NA KUPOVINI PROIZVODA HOTPOINT ARISTON.**  
Kako bismo vam mogli pružiti potpuniju pomoć, registrirajte svoj uređaj  
na adresi: [www.hotpoint.eu/register](http://www.hotpoint.eu/register)

**SKENIRAJTE QR KOD  
NA SVOM UREĐAJU DA  
BISTE DOBILI VIŠE  
INFORMACIJA.**



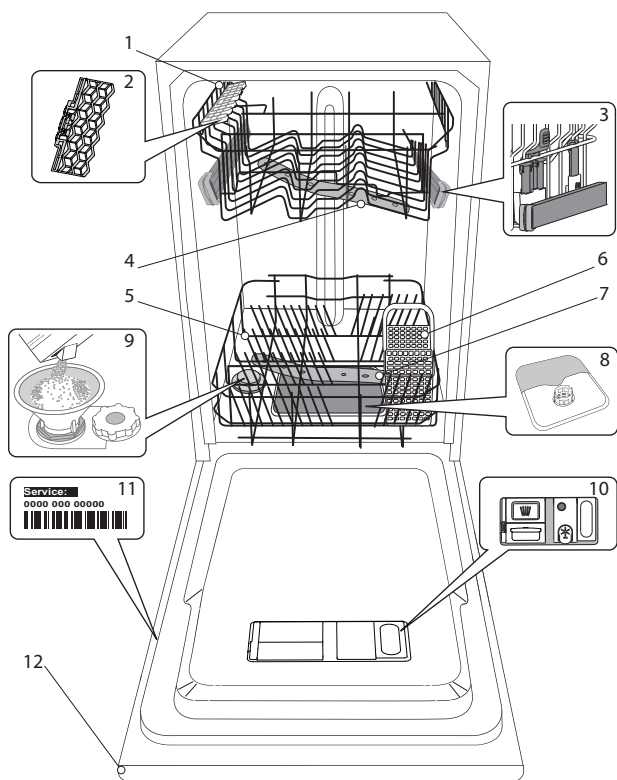
**Prije upotrebe uređaja pažljivo pročitajte ove Sigurnosne upute  
i Upute za postavljanje.**



Nakon postavljanja nemojte zaboraviti izvaditi sve zaštitne dijelove za  
transport iz perilice posuđa.

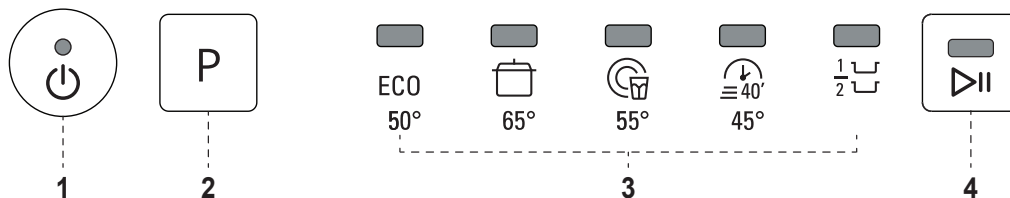
## OPIS PROIZVODA

### UREĐAJ



1. Gornja košara
2. Pomični preklopi
3. Mehanizam za podešavanje gornje košare po visini
4. Gornji nosač prskalice
5. Donja košara
6. Košara za pribor za jelo
7. Donji nosač prskalice
8. Sklop filtra
9. Spremnik za sol
10. Spremnici za deterdžent i sredstvo za ispiranje
11. Natpisna pločica
12. Upravljačka ploča

### UPRAVLJAČKA PLOČA



1. Gumb za uključivanje/isključivanje ponovno postavljanje sa svjetlom indikatora
2. Gumb za odabir programa
3. Svjetla indikatora programa
4. Gumb Start/Pauza sa svjetlom indikatora

# Hotpoint

ARISTON

# PRVA UPOTREBA

## SOL, SREDSTVO ZA ISPIRANJE I DETERDŽENT

### SAVJETI ZA PRVU UPOTREBU

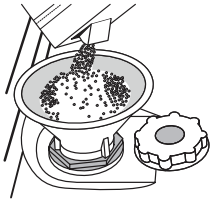
Nakon postavljanje uklonite graničnike s košara i pričvrstne elastične elemente s gornje košare.

### PUNJENJE SPREMNIKA ZA SOL

Upotreba soli sprječava stvaranje kamenca na posuđu i na funkcionalnim sastavnim dijelovima stroja.

- Nužno je pridržavati se toga da **SPREMNIK SOLI NIKADA NIJE PRAZAN**.
- Tvrdća vode mora se postaviti.

Spremnik za sol nalazi se u donjem dijelu perilice posuđa (pogledajte *OPIS PROIZVODA*) i treba ga napuniti kada zeleni plovak na poklopcu spremnika za sol više nije vidljiv.



1. Skinite donju košaru i odvijte čep spremnika (u smjeru suprotnom od smjera kazaljke na satu).
2. **Samo kod prve uporabe: napunite spremnik za sol vodom.**
3. Postavite lijevak (pogledajte sliku) i spremnik soli napunite do samog ruba (približno 1 kg); Curenje male količine vode nije neobično.
4. Uklonite lijevak i obrišite ostatke soli s otvora.

Provjerite je li poklopac čvrsto zategnut tako da deterdžent ne može ući u spremnik tijekom programa pranja (to bi moglo nepovratni oštetiti omekšivač vode).

**Svaki put kada trebate dodati sol obavezno treba završiti cijeli postupak prije početka ciklusa pranja da bi se izbjegla pojava korozije.**

### POSTAVLJANJE TVRDOĆE VODE

Kako bi omekšivač vode mogao savršeno raditi, tvrdoća vode mora se postaviti na temelju stvarne tvrdoće vode u domaćinstvu. Tu informaciju možete dobiti u lokalnom vodoopskrbnom poduzeću. Zadana vrijednost tvrdoće vode postavlja se u tvornici.

- Uključite uređaj tako da pritisnete gumb za **uključivanje/isključivanje**.
- Uređaj isključite tako da pritisnete gumb za **uključivanje/isključivanje**.
- Držite pritisnutim gumb **P** 5 sekundi dok ne začujete zvučni signal bip.
- Uključite uređaj tako da pritisnete gumb za **uključivanje/isključivanje**.
- Svjetlo indikatora programa trenutno postavljene razine trepće.
- Pritisnite gumb **P** za odabir željene razine tvrdoće (*pogledajte TABLICA TVRDOĆE VODE*).

Tablica tvrdoće vode					
Razina			°dH Njemački stupnjevi	°fH Francuski stupnjevi	°Clark Engleski stupnjevi
1	ECO	Meka	0 - 6	0 - 10	0 - 7
2		Srednja	7 - 11	11 - 20	8 - 14
3		Prosječna	12 - 16	21 - 29	15 - 20
4		Tvrda	17 - 34	30 - 60	21 - 42
5		Vrlo tvrda	35 - 50	61 - 90	43 - 62

- Uređaj isključite tako da pritisnete gumb za **uključivanje/isključivanje**.

Postavljanje je dovršeno!

Čim taj postupak završi, pokrenite program bez punjenja.

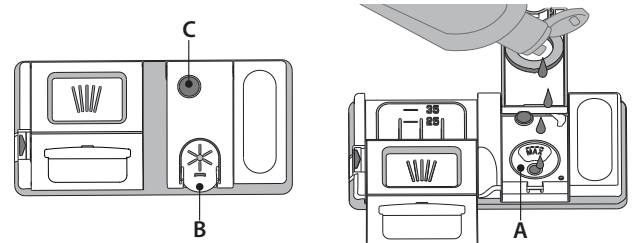
**Upotrebljavajte isključivo sol koja je napravljena posebno za perilice suđa.**

Nakon što se sol ulije u stroj, isključuje se svjetlo indikator PUNJENJE SOLI. **Ako spremnik za sol nije napunjen zbog nakupljanja kamenca može doći do oštećenje omekšivača vode i grijača.**

**Upotreba soli preporučuje se sa svim vrstama deterdženta za pranje suđa.**

### PUNJENJE DOZATORA SREDSTVA ZA ISPIRANJE

Sredstvo za ispiranje olakšava SUŠENJE posuđa. Spremnik sredstva za ispiranje **A** treba napuniti kada tamni optički indikator na vratima spremnika **C** postane proziran.



1. Otvorite dozator **B** tako da pritisnete i povučete jezičac na poklopcu.
2. Pažljivo uvedite sredstvo za ispiranje do referente oznake maksimalne količine (110 ml) prostora za punjenje, pazite da ne dođe do prolivanja. Ako se to dogodi, suhom krpom odmah očistite proliveno.
3. Pritisnite poklopac dok se ne zatvori uz klik.

**Sredstvo za ispiranje NIKADA ne ulijevajte izravno u kadicu.**

### PODEŠAVANJE DOZIRANJA SREDSTVA ZA ISPIRANJE

Ako niste potpuno zadovoljni rezultatima sušenja, možete podesiti količinu upotrijebljenog sredstva za ispiranje.

- Perilicu suđa uključite pomoću gumba za **uključivanje/isključivanje**.
- Isključite je pomoću gumba za **uključivanje/isključivanje**.
- Tri puta pritisnite gumb **P**, začut će se zvučni signal bip.
- Uključite je pomoću gumba za **uključivanje/isključivanje**.
- Svjetlo indikatora programa trenutno postavljene razine trepće.
- Pritisnite gumb **P** za odabir razine količine sredstva za ispiranje koja će se upotrijebiti.
- Isključite ga pomoću gumba za **uključivanje/isključivanje**.

Postavljanje je dovršeno!

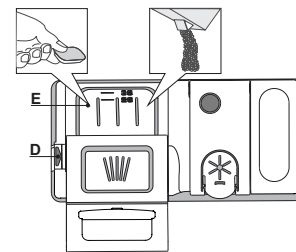
Ako je razina sredstva za ispiranje postavljena na 1 (EKO), sredstvo za ispiranje neće se upotrijebiti.

Ovisno o vrsti perilice suđa mogu se postaviti najviše 5 razine. Tvornička postavka posebno je napravljena za ovaj model, pratite gore navedene upute da biste je provjerili na svom uređaju.

- Ako na suđu primijetite plavičaste pruge, postavite nizak broj (2-3).
- Ako na suđu ima kapi vode ili tragova kamenca, postavite viši broj (4-5).

### PUNJENJE SPREMNIKA ZA DETERDŽENT

**Za otvaranje spremnika za deterdžent upotrijebite uređaj za otvaranje D. Deterdžent stavite samo u suhi spremnik E. Količinu deterdženta za prepranje stavite izravno u kadu.**





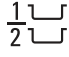


1. Prilikom doziranja deterdženta pogledajte ranije navedene informacije kako biste stavili odgovarajuću količinu. Unutar dozatora **E** nalaze se oznake koje vam pomažu prilikom doziranja.
2. Uklonite ostatke deterdženta s rubova spremnika prije no što poklopac zatvorite tako da sjedne.
3. Poklopac spremnika za deterdžent zatvorite tako da ga povučete dok se mehanizam za zatvaranje ne učvrsti.

Spremnik za deterdžent automatski se otvara u odgovarajućem trenutku ovisno o programu.

**Upotreba deterdženta koji nije namijenjen perilicama posuđa može prouzročiti nepravilnosti ili oštećenje uređaja.**

# TABLICA PROGRAMA

Program	Faza sušenja	Trajanje programa pranja (h:min) <sup>*)</sup>	Potrošnja vode (litara po ciklusu)	Potrošnja energije (kWh po ciklusu)
1. Eko  50°	✓	4:30	11.5	0.76
2. Intenzivno  65°	✓	2:30	15.5	1.50
3. Miješano  55°	✓	2:30	15.5	1.30
4. Brzo 40'  45°	-	0:40	8.5	0.90
5. Pola punjenja  55°	✓	1:20	11.5	0.90

Podaci EKO programa izmjereni su u laboratorijskim uvjetima u skladu s europskom normom EN 60436:2020.

Napomena za pokusne laboratorije: detaljne informacije o uvjetima za komparativni pokus EN zatražite na adresi:

[dw\\_test\\_support@europeanappliances.com](mailto:dw_test_support@europeanappliances.com)

Prije primjene bilo kojeg programa nije potrebno obraditi posuđe.

\*) Vrijednosti navedene za programe, osim programa Eko, služe isključivo kao informacija. Stvarno vrijeme može se razlikovati ovisno o brojnim čimbenicima kao što su temperatura i tlak ulazne vode, sobna temperatura, količina deterdženta, količina i vrsta punjenja, ravnoteža punjenja, dodatne odabrane opcije i baždarenje senzora. Baždarenje senzora može povećati trajanje programa do 20 min.

## OPIS PROGRAMA

### Upute za odabir ciklusa pranja.

#### 1 EKO

Program Eko prikladan je za uobičajeno prljavo posuđe i pri takvoj je upotrebi to najučinkovitiji program po pitanju ukupne potrošnje vode i energije i upotrebljava se za procjenu usklađenosti s propisima EU o ekološkom načinu izrade.

#### 2 INTENZIVNO

Preporučeni program za jako prljavo posuđe, posebno pogodan za tave i tave za umake (ne upotrebljavati za osjetljivo posuđe).

#### 3 MIJEŠANO

Mješovito zaprljanje. Za uobičajeno prljavo posuđe s ostacima sasušene hrane.

#### 4 BRZO 40'

Program koji se treba upotrebljavati pola punjenja malo zaprljanog posuđa bez osušenih ostataka hrane. Nema faze sušenja.

#### 5 POLA PUNJENJA

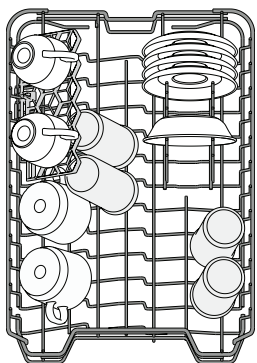
Idealno za pranje pola punjenja malo ili uobičajeno prljavog posuđa.

#### Napomene:

Napominjemo da je ciklus *Brzo 40'* namijenjen isključivo malo zaprljanom posuđu.

# PUNJENJE KOŠARA

## GORNJA KOŠARA



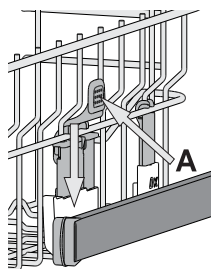
(primjer punjenja za gornju košaru)

Punite je osjetljivim, laganim suđem: čašama, šalicama, posudama za umake i laganim zdjelama za salatu.

## PODEŠAVANJE GORNJE KOŠARE PO VISINI

Visina gornje košare može se podesiti: visoki položaj za postavljanje glomaznog suđa u donju košaru i niski položaj za potpuno iskorištavanje potporna za postavljanje stvaranjem više mjesta u gornjem dijelu i izbjegavanje udaraca s predmetima u donjoj košari.

Gornja je košara opremljena **mehanizmom za podešavanje gornje košare po visini** (pogledajte sliku) i bez pritiska na ručice podignite je tako da smo uhvatite stranice košare čim je košara stabilna u svom gornjem položaju.



Za ponovno postavljanje u donji položaj pritisnite ručice **A** na stranicama košare i pomaknite je prema dolje.

**Preporučujemo da podešavanje po visini ne obavljate s punom košarom.**

**Košaru NIKADA ne podižite ili spuštajte samo na jednoj strani.**

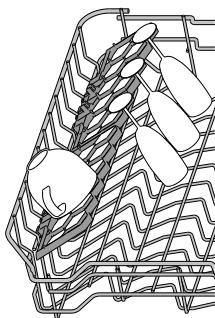
## POMIČNI PREKLOPI S PODESIVIM POLOŽAJEM

Bočni pomični preklopi mogu se sklopiti ili rasklopiti da bi se poboljšalo slaganje posuđa u košaru.

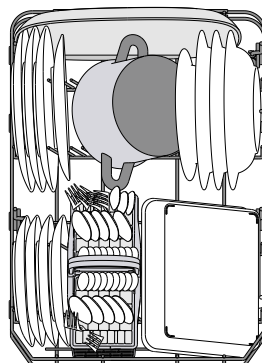
Čaše za vino mogu se sigurno postaviti u pomične preklope tako da se nožica svake čaše umetne u odgovarajući otvor.

Ovisno o modelu:

- preklope sklopite tako da ih skliznete i okrenete ili ih otpustite iz utora i izvučete.
- preklope rasklopite tako da ih okrenete i klizno pomaknete prema dolje ili podignete i preklope pričvrstite na utore.



## DONJA KOŠARA

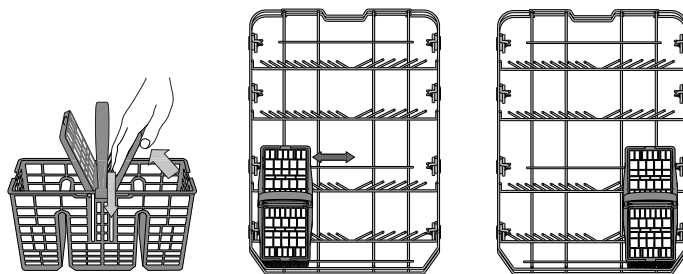


(primjer punjenja za donju košaru)

Za lonce, tave, tanjure, zdjele za salatu, pribor za jelo itd. Velike tanjure i poklopce idealno bi bilo postaviti sa strane kako bi se izbjeglo da ometaju nosače mlaznica.

## KOŠARA ZA PRIBOR ZA JELO

Opremljena je gornjom rešetkom za bolje slaganje pribora za jelo. Mora se postaviti isključivo na prednji dio donje košare.



**Noževi i ostali pribor trebaju se postaviti u košaru pribora za jelo s vrhom okrenutim prema dolje ili se moraju staviti vodoravno u spremnike s potpornjem u gornjoj košari.**

# SVAKODNEVNA UPORABA

## 1. PROVJERA PRIKLJUČKA ZA VODU

Provjerite je li perilica suđa spojena na dovod vode i je li otvorena slavina.

## 2. UKLJUČIVANJE PERILICE SUĐA

Otvorite vrata i pritisnite gumb **uključivanje/isključivanje**.

## 3. PUNJENJE KOŠARA

(pogledajte PUNJENJE KOŠARA)

## 4. PUNJENJE SPREMNIKA ZA DETERDŽENT

## 5. ODABIR PROGRAMA I PRILAGOĐAVANJE CIKLUSA

Odaberite najprikladniji program prema vrsti posuđa i razini zaprljanja (pogledajte OPIS PROGRAMA) pritiskom na gumb **P**. Odaberite željene opcije (pogledajte OPCIJE I FUNKCIJE).

## 6. POKRETANJE

Ciklus pranja započnete pritiskom na gumb **START/Pauza** (uključeno je led svjetlo) i zatvorite vrata u roku od 4 s. Kada program započne oglašava se jedan zvučni signal bip. Ako se vrata ne zatvore u roku od 4 s., oglasit će se zvučni alarm. U tom slučaju otvorite vrata, pritisnite gumb **START/Pauza** i ponovno zatvorite vrata u roku od 4 s.

## 7. KRAJ CIKLUSA PRANJA

Kraj ciklusa pranja označen je zvučnim signalima bip i treperenjem svjetla indikatora odabranog programa. Otvorite vrata i uređaj isključite tako da pritisnete gumb za **uključivanje/isključivanje**. Pričekajte nekoliko minuta prije vađenja posuđa kako biste izbjegli opekotine. Ispraznite košare, započinjući s donjom košarom.

**Stroj će se automatski isključiti tijekom produženog razdoblja neaktivnosti kako bi se smanjila potrošnja struje.**

**Ako je posuđe samo malo prljavo ili ako ga ispirate prije stavljanja u perilicu posuđa, u skladu s tim smanjite količinu deterdženta.**

## IZMJENA PROGRAMA U RADU

Ako odaberete pogrešan program, možete ga promijeniti pod uvjetom da je tek započeo: otvorite vrata, pritisnite i držite gumb za **uključivanje/isključivanje**, stroj će se isključiti.

Ponovno uključite stroj pomoću gumba za uključivanje/isključivanje i odaberite novi ciklus pranja i sve željene opcije; ciklus pokrenite pritiskom na gumb **START/Pauza** i zatvaranjem vrata u roku od 4 s.

## DODAVANJE DODATNOG POSUĐA

Ne isključujući uređaj otvorite vrata (led svjetlo **START/Pauza** počinje treperiti) (**pazite na VRUĆU paru!**) i posuđe stavite u perilicu.

Pritisnite gumb **START/Pauza** i zatvorite vrata u roku od 4 s, ciklus će se nastaviti od mjesta na kojem je prekinut.

## NEHOTIČNI PREKIDI

Ako se tijekom ciklusa pranja vrata otvore ili ako je došlo do nestanka struje, ciklus se zaustavlja. Pritisnite gumb **START/Pauza** i zatvorite vrata u roku od 4 s, ciklus će se nastaviti od mjesta na kojem je prekinut.

# SAVJETI

## SAVJETI

Prije punjenja košara uklonite sve ostatke hrane s posuđa i ispraznite čaše. **Ne morate ih ispirati tekućom vodom.**

Posuđe složite tako da čvrsto stoji i ne prevrće se; spremnike složite tako da su otvori okrenuti prema dolje, a konkavni/konveksni dijelovi ukošeni kako bi se omogućilo da voda dođe do svih površina i slobodno protiče.

**Upozorenje:** poklopci, ručke, pladnjevi i tave ne sprječavaju okretanje nosača mlaznica.

Sitne predmete stavite u košare za pribor za jelo.

Vrlo prljavo suđe i tave treba staviti u donju košaru jer je u tom dijelu jači mlaz vode i omogućuje se bolja učinkovitost pranja.

Nakon punjenja uređaja provjerite mogu li se nosači mlaznica slobodno okretati.

## NEPRIKLADNO SUĐE

- Drveno suđe i pribor za jelo.
- Osjetljive ukrašene čaše, umjetnički predmeti i antičko suđe. Njihovi ukrasi nisu otporni.
- Dijelovi od sintetičkog materija koji ne podnose visoke temperature.
- Suđe od bakra i lima.
- Suđe zaprljano pepelom, voskom, mazivima ili tintom.

Boje ukrasa na čašama i aluminijski/srebrni dijelovi mogu se promijeniti i izbljediti tijekom postupka pranja. Neke vrste čaša (npr. kristali predmeti) mogu se postati neprozirni nakon određenog broja ciklusa pranja.

## OŠTEĆENJE ČAŠA I SUĐA

- Upotrebljavajte samo čaše i porculansko suđe za koje proizvođač jamči da se može prati u perilici suđa.
- Upotrebljavajte deterdžent za osjetljivo posuđe prikladan za posuđe.
- Čaše i pribor za jelo izvadite iz perilice suđa čim ciklus pranja završi.

## SAVJETI ZA UŠTEDU ENERGIJE

- Kada se perilica posuđa u domaćinstvu upotrebljava u skladu s uputama proizvođača **pranjem posuđa u perilici posuđa obično se troši MANJE ENERGIJE i vode nego prilikom ručnog pranja.**
- Preporučujemo da povećate učinkovitost perilice posuđa tako da **ciklus pranja pokrećete tek kada je perilica posuđa do kraja napunjena.** Kada perilicu posuđa punite do kapaciteta koji je naveo proizvođač, pridonosite uštedi energije i vode. Podatke o pravilnom punjenju posuđa možete pronaći u poglavlju PUNJENJE KOŠARA. U slučaju da je perilica djelimično napunjena, preporučuje se da upotrebljavate posebne opcije pranja, ako su dostupne (Half load/ Zone Wash/ Multizone) i punite samo odabrane košare. Nepravilno punjenje ili pretjerano punjenje može povećati upotrebu resursa (kao što su voda, energija i vrijeme te povećati razinu buke) i smanjiti učinkovitost pranja i sušenja.
- Ručno ispiranje posuđa dovodi do veće potrošnje vode i energije te se ne preporučuje.

## HIGIJENSKI PROGRAM

Kako bi se izbjegla pojava neugodnih mirisa i taloga koji se može nakupiti u perilici suđa, **program s visokom temperaturom pokrećete najmanje jednom mjesečno.** Upotrijebite čajnu žlicu deterdženta i pokrenite perilicu bez punjenja kako biste očistili uređaj.

## OTPORNOST NA ZAMRZAVANJE

Ako se uređaj postavi u okruženje izloženo mrazu, iz njega se **mora potpuno ispustiti voda.** Zatvorite ventil, uklonite dovodno i odvodno crijevo te ispustite svu vodu. **Provjerite da je omekšivač vode pun otopljen soli za regeneraciju u spremniku soli,** a da bi se uređaj zaštitio od temperature do -20 °C.

Ako je uređaj bio uskladišten u uvjetima gdje ima leda, mora ostati na temperaturi okoline od min. 5°C **najmanje 24 sata** prije prvog pokretanja.

# ČIŠĆENJE I ODRŽAVANJE

## ČIŠĆENJE SKLOPA FILTRA

Redovito čistite sklop filtra tako da se filtri ne začepe i da otpadna voda ispravno istječe.

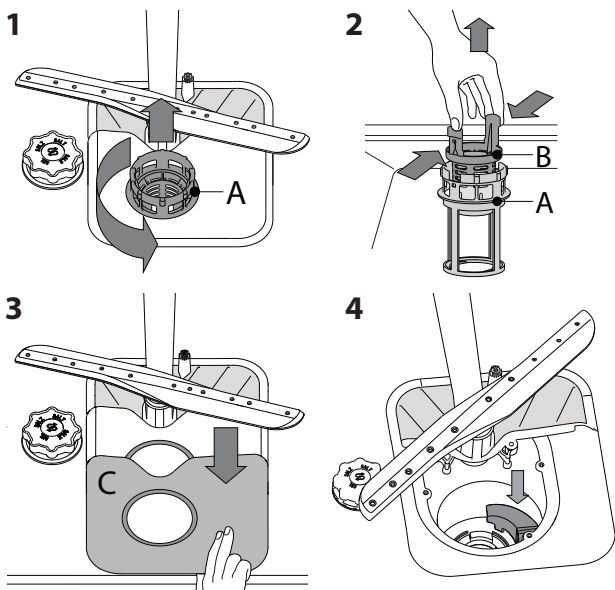
Upotreba perilice posuđe sa začepljenim filtrima ili stranim predmetima u sustavu filtriranja ili prskalicama može prouzročiti neispravnosti koje dovode do gubitka učinkovitosti, veće buke u radu ili veće potrošnje energenata.

Sklop filtra sastoji se od tri filtra koji uklanjaju ostatke hrane iz vode za pranje i zatim ponovno pokreću kruženje vode.

**Perilica suđa ne smije se upotrebljavati bez filtara ili s otpuštenim filtrom.**

Najmanje jednom mjesečno ili nakon svakih 30 ciklusa pranja provjerite sklop filtra i po potrebi ga temeljito očistite tekućom vodom upotrebljavajući četku koja nije od metala i prema uputama u nastavku:

1. Cilindrični filtar **A** okrenite u smjeru suprotnom od smjera kazaljke na satu i izvucite ga (sl. 1).
2. Skinite filtar šalicu **B** tako da lagano pritisnete bočna krilca (sl. 2).
3. Klizno izvadite pločasti filtar od nehrđajućeg čelika **C** (sl. 3).
4. Ako pronađete strane predmete (npr. razbijeno staklo, porculan, kosti, sjemenke voća itd.), **pažljivo ih uklonite**.
5. Pregledajte otvor i uklonite sve ostatke hrane. **NIKADA NE SKIDAJTE** štitnik pumpe ciklusa pranja (crni detalj) (sl. 4).



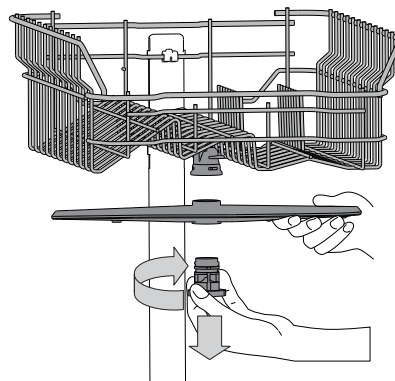
Nakon čišćenja filtara vratite sklop filtra i pravilno ga učvrstite na mjesto; to je važno za održavanje učinkovitog rada perilice suđa.

## ČIŠĆENJE ULAZNOG CRIJEVA ZA VODU

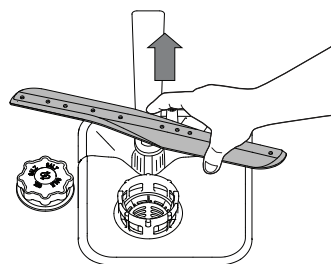
Ako su crijeva za vodu nova ili se dulje vrijeme nisu upotrebljavala pustite da kroz njih prođe voda kako biste bili sigurni da nema nečistoća prije obavljanja potrebnih priključivanja. Ako se ne pridržavate te mjera opreza, može se dogoditi da je blokiran ulaz vode u da se perilica suđa ošteti.

## ČIŠĆENJE NOSAČA MLAZNICA

Povremeno, ostaci hrane mogu se skoriti na nosačima mlaznica i blokirati otvore za raspršivanje vode. Zbog toga se preporučuje da povremeno provjerite nosače i očistite ih malom četkicom koja nije metalna.



Gornji krak mlaznice skinite tako da okrenete plastični prsten za zadržavanje u smjeru kazaljke na satu. Gornji nosač mlaznice treba se zamijeniti tako da je strana s većim brojem otvora okrenuta prema gore.



Donji krak mlaznice može se skinuti tako da se povuče prema gore.

## SUSTAV OMEKŠAVANJA VODE

Omekšivač vode automatski smanjuje tvrdoću vode čime se posljedično smanjuje nakupljanje kamenca na grijaču i pridonosi većoj učinkovitosti pranja.

**Ovaj se sustav sam obnavlja pomoću soli pa zato spremnik soli treba napuniti kada je prazan.**

Učestalost obnavljanja ovisi o postavci razine tvrdoće vode – obnavljanje se odvija jednom na svakih 5 Eko ciklusa s razinom tvrdoće vode postavljenom na 3.

Postupak obnavljanja započinje u fazi završnog ispiranja i završava u fazi sušenja, prije završetka ciklusa.

- Potrošnja jednog ciklusa obnavljanja: ~3,5 l vode;
- Ciklus traje 5 minuta dulje;
- Troši manje od 0,005 kWh struje.

# RJEŠAVANJE PROBLEMA

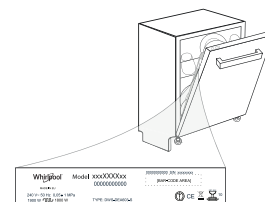
Ako vaša perilica posuđa ne radi ispravno, provjerite može li se problem riješiti prateći popis u nastavku. U slučaju pojave drugih grešaka ili problema obratite se ovlaštenom postprodajnom servisu čije podatke za kontakt možete pronaći u knjižici jamstva. Rezervni dijelovi bit će dostupni u razdoblju narednih 7 ili 10 godina, ovisno o posebnim zakonskim propisima.

PROBLEMI	MOGUĆI UZROCI	RJEŠENJA
Perilica suđa se ne pokreće ili ne odgovara na komande.	Uređaj nije ispravno priključen.	Uključite utikač u električnu utičnicu.
	Nestanak struje.	Perilica posuđa se iz sigurnosnih razloga neće automatski pokrenuti nakon povratka struje. Otvorite vrata perilice posuđa, pritisnite gumb START/Pauza i u roku od 4 sekunde zatvorite vrata.
	Vrata perilice suša nisu zatvorena.	Vrata čvrsto zatvorite tako da začujete "klik".
	Ciklus se prekida ako su vrata otvorena > 4 sekunde.	Pritisnite START/Pauza i zatvorite vrata uređaja u roku od 4 sekunde.
Perilica suđa ne ispušta vodu.	Ne odgovara na komande.	Uređaj isključite pritiskom na gumb <b>uključivanje/isključivanje</b> pa ga nakon otprilike jedne minute ponovno uključite i ponovno pokrenite program. Ako se problem i dalje javlja, uređaj isključite na 1 minutu, zatim ga ponovno uključite
	Ciklus pranja još nije završio.	Pričekajte da ciklus pranja završi.
	Ovodno crijevo je savijeno.	Provjerite da crijevo za pražnjenje nije savijeno ( <i>pogledajte UPUTE ZA POSTAVLJANJE</i> ).
	Crijevo za pražnjenje izljeva je blokirano.	Očistite crijevo za pražnjenje izljeva.
Perilica suđa stvara preveliku buku.	Filtar je začepljen ostacima hrane	Čišćenje filtra ( <i>pogledajte ČIŠĆENJE SKLOPA FILTRA</i> ).
	Suđe se međusobno udara.	Pravilno složite suđe ( <i>pogledajte PUNJENJE KOŠARA</i> ).
Suđe nije čisto.	Došlo je do stvaranja prevelike količine pjene.	Deterdžent nije pravilno izmjeren ili nije prikladan za upotrebu u perilici suđa ( <i>pogledajte PUNJENJE DOZATORA ZA DETERDŽENT</i> ). Ponovno pokrenite trenutni ciklus isključivanje perilice posuđa i zatim njenim ponovnim uključivanjem, odaberite novi program, pritisnite START/Pauza i zatvorite vrata u roku 4 sekunde. Nemojte dodavati deterdžent.
	Suđe nije ispravno složeno.	Pravilno složite suđe ( <i>pogledajte PUNJENJE KOŠARA</i> ).
	Nosači mlaznica ne mogu se slobodno okretati jer ih ometa suđe.	Pravilno složite suđe ( <i>pogledajte PUNJENJE KOŠARA</i> ).
	Ciklus pranja je prenežan.	Odaberite odgovarajući ciklus pranja ( <i>pogledajte TABLICU PROGRAMA</i> ).
	Došlo je do stvaranja prevelike količine pjene.	Deterdžent nije pravilno izmjeren ili nije prikladan za upotrebu u perilici suđa ( <i>pogledajte PUNJENJE DOZATORA ZA DETERDŽENT</i> ).
	Čep na spremniku sredstva za ispiranje nije pravilno zatvoren.	Provjerite je li čep spremnika za ispiranje zatvoren.
	Filtar je prljav ili začepljen.	Očistite sklop filtra ( <i>pogledajte ČIŠĆENJE I ODRŽAVANJE</i> ).
Perilica posuđa ne puni se vodom. Svi LED-i brzo trepere	Nema soli.	Napunite spremnik soli ( <i>pogledajte PUNJENJE I SPREMNIK SOLI</i> ).
	Nema vode u dovodu vode ili je slavina zatvorena.	Provjerite ima li vode u dovodu vode ili radi li slavina.
	Dovodno crijevo je savijeno.	Provjerite da dovodno crijevo nije savijeno ( <i>pogledajte poglavlje INSTALACIJA</i> ), ponovno programirajte perilicu posuđa i ponovno pokrenite.
Perilica posuđa prerano završava ciklus.	Sito na dovodnom crijevu vode je začepljeno; treba ga očistiti.	Nakon provjere i čišćenja isključite i uključite perilicu posuđa i pokrenite novi program.
	Odvodno je crijevo prenisko postavljeno ili se izljeva u kanalizaciju.	Provjerite je li kraj odvodnog crijeva na ispravnoj visini ( <i>pogledajte poglavlje INSTALACIJA</i> ). Provjerite izljev u kanalizaciju, ugradite, prema potrebi, ventil za ulaz zraka.
Curenje deterdženta.	Zrak u dovodu vode.	Provjerite da na dovodu vode nema propuštanja ili drugih problema koji omogućuju ulaz zraka.
	Ovisi o vrsti tekućeg deterdženta koji se upotrebljava i može biti jače izraženo u slučaju uključivanja opcije odgođe.	Malo curenje neće izazvati neispravnosti uređaja i može se izbjeći promjenom vrste tekućeg deterdženta ili upotrebom tableta.

**Pravila, standardne dokumente, naručivanje rezervnih dijelova i dodatne informacije o proizvodu možete pronaći tako:**

- Upotreba QR koda na proizvodu.
- Posjetite naše web.mjesto [docs.hotpoint.eu](https://docs.hotpoint.eu) i [parts-selfservice.europeanappliances.com](https://parts-selfservice.europeanappliances.com)
- Možete i **kontaktirati naš postprodajni servis** (broj telefona potražite u knjižici jamstva). Kada se obraćate našem postprodajnom servisu navedite kodove navedene na identifikacijskoj pločici proizvoda.

Informacije o modelu mogu se dobiti pomoću QR koda koji se nalazi na oznaci energetske učinkovitosti. Na oznaci se nalazi i identifikacijska oznaka modela koji se može upotrijebiti za pregledavanje portala registra na <https://eprel.ec.europa.eu>.



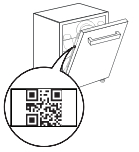
# GUIDA RAPIDA GUASTI



**GRAZIE PER AVER ACQUISTATO UN PRODOTTO  
HOTPOINT ARISTON.**

Per ricevere assistenza in modo più completo, registrare il proprio apparecchio sul sito: [www.hotpoint.eu/register](http://www.hotpoint.eu/register)

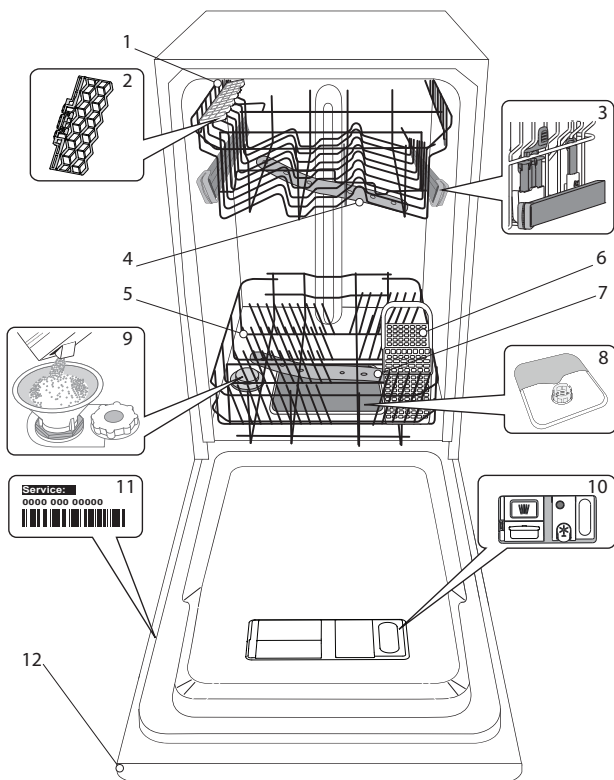
**SCANSIONARE IL CODICE  
QR SULL'APPARECCHIO  
PER VISUALIZZARE  
INFORMAZIONI PIÙ  
DETTAGLIATE**



**Prima di utilizzare l'apparecchio, legga attentamente le Istruzioni di sicurezza e di installazione.**  
Dopo l'installazione, ricordarsi di rimuovere tutte le parti di protezione per il trasporto dalla lavastoviglie.

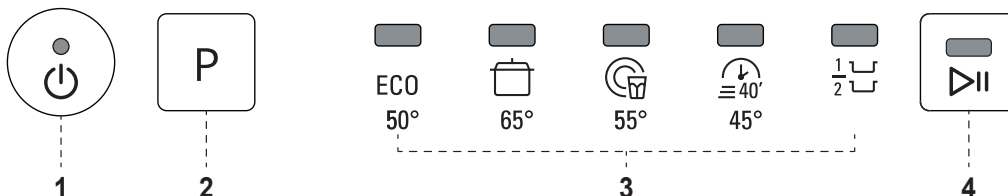
## DESCRIZIONE PRODOTTO

### APPARECCHIO



1. Cestello superiore
2. Sponde ribaltabili
3. Regolatore altezza cestello superiore
4. Braccio aspersore superiore
5. Cestello inferiore
6. Cestello per le posate
7. Braccio aspersore inferiore
8. Gruppo filtro
9. Distributore del sale
10. Distributori per detersivo e brillantante
11. Targhetta matricola
12. Pannello comandi

### PANNELLO COMANDI



1. Tasto Accensione-Spegnimento/Ripristino e relativa spia
2. Tasto di selezione programmi
3. Spie indicatore di programma
4. Tasto Avvio/Pausa e relativa spia

# PRIMO UTILIZZO

## SALE, BRILLANTANTE E DETERSIVO

### SUGGERIMENTO PER IL PRIMO UTILIZZO

Dopo aver completato l'installazione, togliere i fermi dai cestelli e gli elementi elastici di ritegno dal cestello superiore.

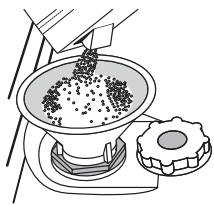
### RIFORMIMENTO DEL SERBATOIO DEL SALE

L'uso di sale previene la formazione di CALCARE sulla superficie dei piatti e sui componenti della macchina.

- È indispensabile che **IL SERBATOIO DEL SALE SIA SEMPRE RIFORMITO.**
- È essenziale quindi che il livello di durezza dell'acqua sia stato impostato.

Il serbatoio del sale si trova nella parte inferiore della lavastoviglie (vedere la DESCRIZIONE DEL PRODOTTO) e va rabboccato quando il galleggiante verde sul tappo del serbatoio non è più visibile.

1. Togliere il cestello inferiore e svitare il tappo del serbatoio (ruotare in senso antiorario).



2. **Solo la prima volta: riempire d'acqua il serbatoio del sale.**

3. Sistemare opportunamente l'imbuto (vedere figura) e rifornire il serbatoio del sale fino all'orlo (circa 1 kg); Non è inconsueto che l'acqua trabocchi leggermente.

4. Togliere l'imbuto ed eliminare qualsiasi residuo di sale dall'areacirostante l'apertura.

Accertarsi che il tappo sia adeguatamente serrato per evitare l'ingresso di detersivo all'interno della

vaschetta durante il programma di lavaggio (ciò potrebbe causare il danneggiamento del dispositivo addolcente senza possibilità di riparazione).

**Ogni volta che è necessario aggiungere sale, è obbligatorio eseguire la procedura prima dell'inizio del ciclo di lavaggio per evitare rischi di corrosione.**

### IMPOSTAZIONE DELLA DUREZZA DELL'ACQUA

Per consentire che il dispositivo addolcente dell'acqua agisca al meglio, è essenziale che l'impostazione del livello di durezza dell'acqua tenga conto della sua durezza effettiva nell'utenza domestica. È possibile ottenere il valore di durezza dell'acqua nell'utenza domestica rivolgendosi al proprio fornitore. Il valore predefinito per la durezza dell'acqua viene impostato in fabbrica.

- Azionare l'apparecchio agendo sul tasto **ACCENSIONE/SPEGNIMENTO.**
- Disattivare l'apparecchio agendo sullo stesso tasto **ACCENSIONE/SPEGNIMENTO.**
- Tenere premuto il tasto **P** per 5 secondi, fino a udire il segnale corrispondente.
- Azionare l'apparecchio agendo sul tasto **ACCENSIONE/SPEGNIMENTO.**
- La spia che indica il programma correntemente impostato lampeggia.
- Premere il tasto **P** per selezionare il livello di durezza dell'acqua richiesto (vedere TABELLA DEI LIVELLI DI DUREZZA DELL'ACQUA).

Tabella di durezza dell'acqua

Livello		°dH Gradi tedeschi	°fH Gradi francesi	°Clark Gradi inglesi	
1	ECO	Dolce	0 - 6	0 - 10	0 - 7
2		Moderatamente dolce	7 - 11	11 - 20	8 - 14
3		Medio	12 - 16	21 - 29	15 - 20
4		Dura	17 - 34	30 - 60	21 - 42
5		Molto dura	35 - 50	61 - 90	43 - 62

- Disattivare l'apparecchio agendo sullo stesso tasto **ACCENSIONE/SPEGNIMENTO.**

La procedura di impostazione è stata completata!

Non appena completata tale procedura, avviare uno dei programmi senza carico.

**Utilizzare soltanto sale di tipo specifico per lavastoviglie.**

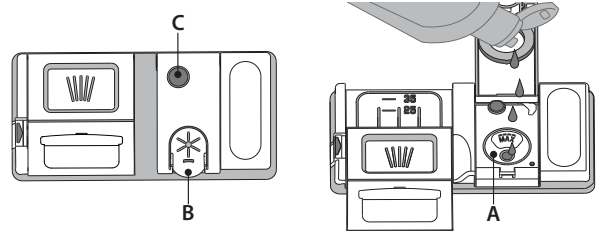
Dopo aver versato il sale all'interno della macchina, la spia riempimento SALE si spegne.

**La mancanza di sale nel serbatoio potrebbe danneggiare l'addolcitore d'acqua e la resistenza per effetto dell'accumulo di calcare.**

L'uso del sale è consigliato con qualsiasi tipo di detersivo per lavastoviglie.

### RIEMPIMENTO DEL DISTRIBUTORE BRILLANTANTE

L'utilizzo di brillantante facilita il processo di ASCIUGATURA delle stoviglie. La vaschetta del brillantante **A** dovrebbe essere riempita quando l'indicatore ottico scuro posto sullo sportellino **C** diventa trasparente.



1. Aprire il distributore **B** esercitando opportuna pressione e quindi sollevando la linguetta posta sul coperchio.
2. Versare delicatamente il brillantante fino al segno che indica il livello di riferimento massimo (110 ml), ma evitandone la fuoriuscita. Nel caso in cui ciò si verifici, asciugare immediatamente il liquido fuoriuscito mediante un panno asciutto.
3. Abbassare il coperchio fino ad avvertire lo scatto che ne segnala la chiusura.

**Non versare MAI il brillantante direttamente all'interno della vaschetta.**

### REGOLAZIONE DEL DOSAGGIO DI BRILLANTANTE

Se non si è completamente soddisfatti del processo di asciugatura, è possibile regolare la quantità di brillantante da utilizzare.

- Azionare la lavastoviglie agendo sul tasto **ACCENSIONE/SPEGNIMENTO.**
- Disattivare la lavastoviglie utilizzando lo stesso tasto **ACCENSIONE/SPEGNIMENTO.**

- Premere tre volte il tasto **P**: si avverte il segnale corrispondente.
- Azionare la lavastoviglie mediante il tasto **ACCENSIONE/SPEGNIMENTO.**
- La spia che indica il programma correntemente impostato lampeggia.
- Premere sul tasto **P** per impostare il livello di brillantante corrispondente alla quantità richiesta.
- Disattivare utilizzando il tasto **ACCENSIONE/SPEGNIMENTO**

La procedura di impostazione è stata completata!

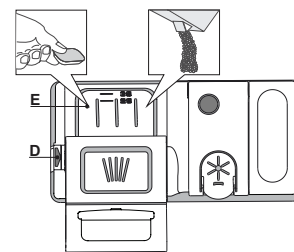
Nel caso in cui il livello di brillantante sia impostato su ZERO (ECO), il brillantante non viene erogato.

A seconda del modello di lavastoviglie è possibile impostare al massimo 5 livelli di dosaggio. Le impostazioni di fabbrica dipendono dal modello; seguire le istruzioni precedenti in base alle caratteristiche del proprio apparecchio.

- In presenza di strisce con sfumature blu sulla superficie dei piatti, impostare un livello di dosaggio basso (2-3).
- In presenza di gocce d'acqua o di calcare sulla superficie dei piatti impostare invece dosaggi alti (4-5).

### RIEMPIMENTO DEL DISTRIBUTORE DETERSIVO

**Per aprire il distributore detersivo utilizzare il dispositivo di apertura D. Versare il detersivo esclusivamente nel distributore E asciutto. Mettere la dose di detersivo per il prelavaggio direttamente all'interno del distributore.**




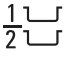


1. Per il dosaggio corretto del detersivo fare riferimento ai dati sopra riportati. La vaschetta **E** contiene indicatori di livello per facilitare il dosaggio del detersivo.
2. Eliminare eventuali residui di detersivo dai bordi del distributore e chiudere il coperchio fino ad avvertire lo scatto caratteristico.
3. Chiudere il coperchio del distributore sollevandolo fino a portare il dispositivo di chiusura in sede.

Il distributore del detersivo si apre automaticamente quando previsto dal programma in uso.

**L'uso di un detersivo non specifico per lavastoviglie potrebbe causare malfunzionamenti o danni all'apparecchio.**

# TABELLA DEI PROGRAMMI

Programma			Fase di asciugatura	Durata programma di lavaggio (h:min) <sup>*)</sup>	Consumo d'acqua (litri/ciclo)	Consumo energetico (kWh/ciclo)
1. Eco	ECO	50°	✓	4:30	11.5	0.76
2. Intensivo		65°	✓	2:30	15.5	1.50
3. Misti		55°	✓	2:30	15.5	1.30
4. Rapido 40'		45°	-	0:40	8.5	0.90
5. Mezzo Carico		55°	✓	1:20	11.5	0.90

La misurazione dei dati per la creazione del programma ECO avviene in condizioni di laboratorio secondo quanto prescritto dalle norme europee EN 60436:2020.

Nota per i laboratori di Prove: per informazioni sulle condizioni della prova comparativa EN, farne richiesta all'indirizzo: [dw\\_test\\_support@europeanappliances.com](mailto:dw_test_support@europeanappliances.com)

Questi programmi non richiedono un pre-trattamento delle stoviglie.

\*)Ad eccezione del programma Eco, i valori riportati per gli altri programmi sono puramente indicativi.

La durata effettiva può dipendere da molti fattori, quali la temperatura e la pressione dell'acqua di alimentazione, la temperatura ambiente, la dose di detersivo utilizzata, la quantità e il tipo di carico e il suo bilanciamento, la selezione di determinate opzioni e la taratura dei sensori. La taratura dei sensori può prolungare la durata dei programmi anche di 20 minuti.

## DESCRIZIONE DEI PROGRAMMI

### Istruzioni per selezionare il ciclo di lavaggio.

#### 1 ECO

Il programma Eco è indicato per le stoviglie mediamente sporche; è il programma più efficiente in termini di consumo combinato di acqua ed energia per questo tipo di stoviglie e viene usato per valutare la conformità dell'apparecchio alla legislazione UE in materia di progettazione ecocompatibile.

#### 2 INTENSIVO

Stoviglie e pentole molto sporche (non usare per pezzi delicati).

#### 3 MISTI

Carichi misti. Per piatti con sporco normale e residui secchi di cibo.

#### 4 RAPIDO 40'

Programma indicato per un mezzo carico di stoviglie poco sporche e prive di residui secchi. Non è prevista una fase di asciugatura.

#### 5 MEZZO CARICO

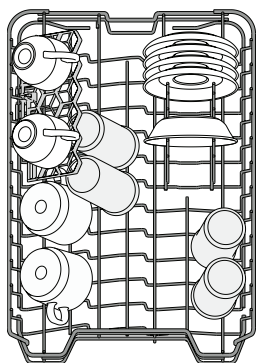
Ideale per il lavaggio a mezzo carico di stoviglie poco o mediamente sporche.

#### Note:

SII ciclo Rapido 40' è indicato per stoviglie poco sporche.

# CARICAMENTO DEI CESTELLI

## CESTELLO SUPERIORE



Riporvi i piatti poco resistenti e le stoviglie delicate: vetri, tazze, piattini, insalatiere dai bordi bassi.

(esempio di carico del cestello superiore)

## REGOLAZIONE IN ALTEZZA DEL CESTELLO SUPERIORE

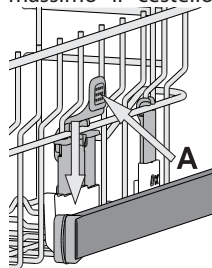
È possibile regolare del cestello superiore nel senso dell'altezza: la posizione rialzata consente di sfruttare al massimo il cestello inferiore per riporvi le stoviglie di dimensioni ingombranti, mentre la posizione ribassata consente di utilizzare le sponde ribaltabili creando lo spazio che esse richiedono e di evitare urti con gli oggetti caricati nel cestello inferiore.

Il cestello superiore è munito di **regolatore in altezza** (vedere figura) che non richiede pressione sulle leve; sollevarlo tenendolo per i lati, non appena si trovi in posizione rialzata.

Per ripristinare la posizione ribassata, agire sulle leve **A** poste ai lati del cestello e abbassare il cestello.

**Si raccomanda vivamente di non procedere alla regolazione in altezza di cestelli già caricati.**

**Non rialzare o ribassare MAI il cestello agendo su un lato soltanto.**



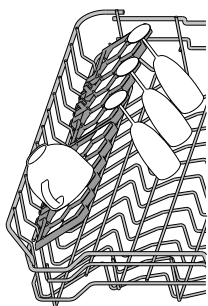
## SPONDE RIBALTABILI CON POSIZIONE REGOLABILE

Le sponde ribaltabili laterali possono essere estese o ripiegate per ottimizzare la disposizione delle stoviglie nel cestello.

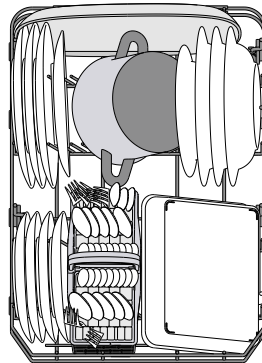
Si possono disporre i bicchieri da vino nelle sponde ribaltabili in modo assolutamente sicuro, inserendone lo stelo negli appositi spazi.

In base al modello:

- per estendere le sponde occorre farle scorrere verso l'alto e ruotarle oppure sganciarle dai fermi e abbassarle.
- per ripiegare le sponde occorre ruotarle e farle scorrere verso il basso oppure sollevarle e agganciarle ai fermi.



## CESTELLO INFERIORE

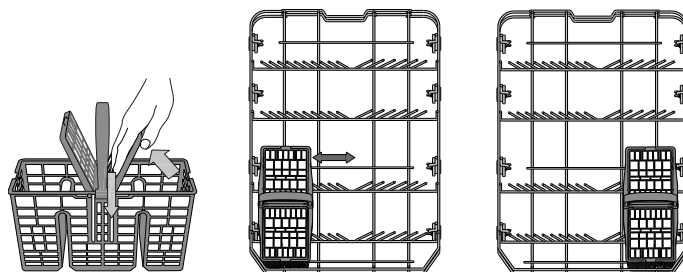


Per pentole, coperchi, piatti, insalatiere, stoviglie, ecc. In teoria conviene disporre piatti e coperchi di grandi dimensioni ai lati, per evitare interferenze con l'elemento aspersione.

(esempio di carico nel cestello inferiore)

## CESTELLO PER LE POSATE

Le griglie tuttavia consentono anche di ottimizzare la disposizione delle posate al suo interno. Il cestello portaposate deve essere sistemato soltanto nella parte anteriore del cestello inferiore.



**I coltelli e le altre posate con bordi taglienti devono essere riposte nel cestello portaposate con le punte rivolte verso il basso e orizzontalmente nelle sponde ribaltabili del cestello superiore.**

# USO QUOTIDIANO

## 1. VERIFICA DEL COLLEGAMENTO ALLA RETE IDRICA

Verificare che la lavastoviglie sia collegata alla rete idrica e che il rubinetto dell'acqua sia aperto.

## 2. AZIONAMENTO DELLA LAVASTOVIGLIE

Aprire la porta e premere il tasto **ACCENSIONE/SPEGNIMENTO**.

## 3. CARICAMENTO DEI CESTELLI

(vedere **CARICAMENTO DEI CESTELLI**).

## 4. RIEMPIMENTO DEL DISTRIBUTORE DETERATIVO

## 5. SELEZIONARE IL PROGRAMMA E ADATTARE IL CICLO SECONDO NECESSITÀ

Selezionare il programma più adatto in base al tipo di stoviglie e alla quantità di sporco in essi presente (vedere la **DESCRIZIONE DEI PROGRAMMI**) premendo sul tasto **P**.

Selezionare le opzioni richieste (vedere **OPZIONI E FUNZIONI**).

## 6. AVVIO

Avviare il ciclo di lavaggio premendo il tasto **AVVIO/Pausa** (il LED si accenderà) e chiudere la porta entro 4 secondi. All'avvio del programma viene emesso un segnale acustico. Se la porta non viene chiusa entro 4 sec. viene emesso il suono di allarme. In questo caso, aprire la porta, premere il tasto **AVVIO/Pausa** e richiudere la porta entro 4 sec.

## 7. FINE DEL CICLO DI LAVAGGIO

La conclusione del ciclo di lavaggio è indicata dalla relativa segnalazione acustica, mentre mediante il lampeggio dell'indicatore corrispondente al programma selezionato. Aprire la porta e spegnere l'apparecchio premendo il tasto **ACCENSIONE/SPEGNIMENTO**. Per evitare bruciature, prima di togliere le stoviglie attendere pochi minuti. Scaricare i cestelli, iniziando da quello inferiore.

La macchina si disattiva automaticamente nel corso di determinati periodi di inattività prolungata, al fine di ridurre al minimo il consumo di elettricità. Se le stoviglie sono soltanto leggermente sporche oppure sono state risciacquate prima di essere poste nella lavastoviglie, ridurre in proporzione la dose di detersivo da utilizzare.

## MODIFICA DI UN PROGRAMMA IN CORSO

Nel caso in cui sia stato selezionato il programma sbagliato, è possibile cambiarlo a condizione che sia appena iniziato: aprire lo sportello e premere a lungo il tasto **ACCENSIONE/SPEGNIMENTO**; l'apparecchio si spegnerà.

Azionare nuovamente la macchina agendo sul tasto **ACCENSIONE/SPEGNIMENTO** e selezionare il nuovo ciclo di lavaggio con qualsiasi opzione richiesta; Avviare il ciclo di lavaggio premendo il tasto **AVVIO/Pausa** (il LED si accende) e chiudere la porta entro 4 secondi.

## AGGIUNTA DI ALTRE STOVIGLIE

Senza spegnere l'apparecchio, aprire la porta (il LED **AVVIO/Pausa** inizia a lampeggiare) (**fare attenzione al vapore MOLTO CALDO!**) e introdurre le stoviglie. Premere il tasto **AVVIO/Pausa** e chiudere lo sportello entro 4 secondi; il ciclo riprenderà dal punto in cui era stato interrotto.

## INTERRUZIONI ACCIDENTALI

In caso di apertura della porta o di interruzione dell'alimentazione elettrica durante un ciclo di lavaggio, il ciclo si interrompe. Premere il tasto **AVVIO/Pausa** e chiudere lo sportello entro 4 secondi; il ciclo riprenderà dal punto in cui era stato interrotto.

# AVVISI E CONSIGLI

## CONSIGLI

Prima di caricare i cestelli, eliminare tutti i residui di cibo dalle stoviglie e vuotare i bicchieri. **Non occorre il risciacquo sotto acqua corrente prima del caricamento.**

Sistemare le stoviglie in modo che rimangano in sede e non si possano ribaltare; e sistemare le vaschette con le aperture rivolte verso il basso e le parti concave/complesse disposte obliquamente, per consentire all'acqua di lavaggio di raggiungere ogni superficie e scorrervi liberamente.

**Avvertenza:** coperchi, maniglie, vassoi e padelle non devono ostacolare la rotazione degli aspersori.

Riporre tutti gli oggetti di piccole dimensioni nel cestello portaposate.

Quando molto sporche, riporre piatti e pentole nel cestello inferiore poiché nel relativo settore gli aspersori svolgono un'azione più intensa e consentono migliori prestazioni nel lavaggio.

Una volta completata la procedura di carico, accertarsi che gli aspersori possano ruotare liberamente.

## STOVIGLIE DI TIPO NON ADATTO

- Stoviglie e posate in legno.
- Bicchieri decorati, pezzi di artigianato e piatti antichi. le decorazioni non sono sufficientemente resistenti.
- Componenti in materiali sintetici che non resistono alle temperature elevate.
- Stoviglie in rame e stagno.
- Stoviglie sporche di cenere, cera, grasso lubrificante o inchiostro.

Durante la fase di lavaggio i colori delle decorazioni di bicchieri e pezzi in alluminio/argento possono sbiadire. Alcuni tipi di bicchieri (es. i bicchieri in cristallo) possono divenire opachi anche soltanto dopo un certo numero di lavaggi.

## CONSIGLI PER IL RISPARMIO ENERGETICO

- Se la lavastoviglie viene usata secondo le istruzioni del produttore, **il lavaggio delle stoviglie a macchina comporta normalmente un MINORE CONSUMO DI ENERGIA e acqua rispetto al lavaggio a mano.**
- Per ottimizzare l'efficienza della lavastoviglie si raccomanda di **avviare il ciclo di lavaggio con l'apparecchio a pieno carico.**

Caricando la lavastoviglie fino alla capacità indicata dal produttore si contribuirà a ridurre i consumi d'acqua e di energia. Per informazioni sul caricamento corretto delle stoviglie, leggere la sezione **CARICAMENTO DEI CESTELLI**. In caso di carico parziale, si raccomanda di usare le apposite opzioni di lavaggio, se disponibili (Mezzo carico/ Zone Wash/ Multizona), caricando solo i cestelli selezionati. Un caricamento non corretto o eccessivo della lavastoviglie può aumentare il consumo di risorse (acqua, energia e tempo, oltre a una maggiore rumorosità) e ridurre le prestazioni di lavaggio e asciugatura.

- Il pre-risciacquo delle stoviglie comporta un maggiore consumo di acqua ed energia e non è consigliato.

## DANNEGGIAMENTO DI BICCHIERI E STOVIGLIE

- Utilizzare soltanto bicchieri e porcellane garantite dal produttore per il lavaggio in lavastoviglie.
- Utilizzare un detersivo delicato e adatto al tipo di stoviglie in questione
- Togliere i bicchieri e gli altri elementi dalla lavastoviglie non appena sia terminato il ciclo di lavaggio.

## IGIENIZZANTE

Per evitare la formazione di cattivi odori e sedimenti vari all'interno della lavastoviglie **avviare un programma che preveda temperature elevate almeno una volta al mese.** Per eseguire la pulizia dell'apparecchio utilizzare un cucchiaino di detersivo e avviare il ciclo in assenza di carico.

## RESISTENZA AL GELO

Se l'apparecchio è collocato in un locale esposto al pericolo di gelo, **occorre svuotarlo completamente.** Chiudere il rubinetto dell'acqua e staccare i tubi di alimentazione e di scarico, quindi far defluire l'acqua.

**Assicurarsi che l'addolcitore d'acqua sia pieno di sale di rigenerazione disciolto nel relativo contenitore,** per proteggere l'apparecchio da temperature fino a -20°C.

Se l'apparecchio è stato immagazzinato in condizioni di gelo, deve rimanere a una temperatura ambiente di min. 5°C **per almeno 24 ore** prima del primo funzionamento.

# MANUTENZIONE E PULIZIA

## PULIZIA DEL GRUPPO FILTRO

Pulire regolarmente il gruppo filtro in modo che nei relativi elementi non si formino ostruzioni e che l'acqua vi scorra regolarmente.

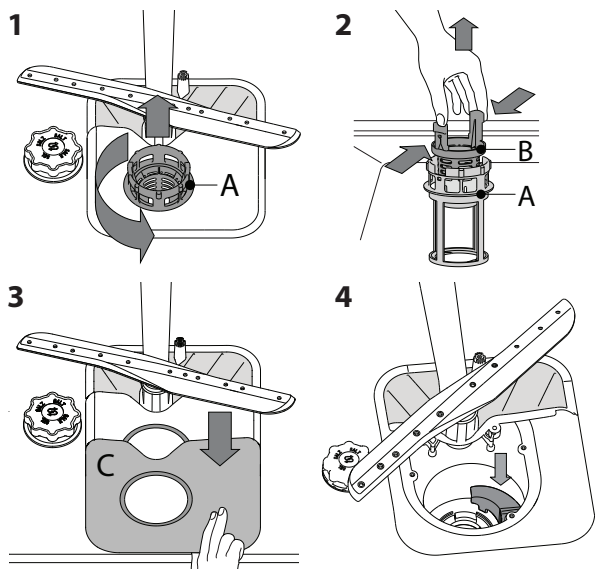
L'uso della lavastoviglie con i filtri ostruiti, o con oggetti estranei nel sistema filtrante o nei bracci irroratori, può causare malfunzionamenti e determinare una perdita di prestazioni, un aumento della rumorosità o un maggiore consumo di risorse.

Il gruppo filtro è composto da tre elementi filtranti che eliminano la presenza di residui di cibo dall'acqua di lavaggio, rimettendola in circolo ai fini del programma; per ottenere le migliori prestazioni durante il lavaggio è necessario che tali elementi siano sempre puliti.

**Non utilizzare mai la lavastoviglie priva dei filtri o con i filtri allentati.**

Almeno una volta al mese o ogni 30 cicli di lavaggio, verificare lo stato del gruppo filtro e se necessario pulirlo completamente sotto getto di acqua corrente, servendosi di spazzola metallica e seguendo le istruzioni sotto riportate:

1. Ruotare il filtro cilindrico **A** in senso antiorario, quindi estrarlo (Fig. 1).
2. Smontare il filtro a tazza **B** esercitando una leggera pressione sulle sponde laterali (Fig. 2).
3. Far scorrere il filtro a piastra in acciaio inossidabile **C**, fino ad estrarlo (Fig. 3).
4. Se si trovano oggetti estranei (frammenti di vetro, porcellana, ossa, semi di frutta, ecc.), rimuoverli con attenzione.
5. Esaminare il sifone ed eliminare la presenza di qualsiasi residuo di cibo. **NON TOGLIERE MAI** l'elemento di protezione della pompa di lavaggio (dettaglio di colore nero) (Fig. 4).



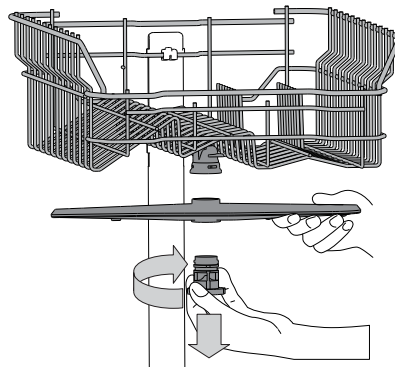
Dopo aver pulito i filtri, rimontare il gruppo e fissarlo correttamente in sede ciò è fondamentale per garantire l'efficienza della lavastoviglie.

## PULIZIA DEL TUBO DI CARICO ACQUA

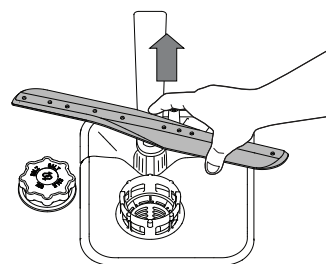
Se i tubi dell'acqua sono nuovi o sono rimasti inutilizzati per un periodo prolungato, prima di eseguire i raccordi necessari far scorrere l'acqua per controllare che sia pulita e priva di impurità. In assenza di tale precauzione, il tubo di carico acqua può risultare ostruito con conseguente danneggiamento della lavastoviglie.

## PULIZIA DEI BRACCI ASPERSORI

I residui di cibo possono occasionalmente formare incrostazioni sui bracci aspersori e bloccare i fori utilizzati per l'irrorazione dell'acqua. Si raccomanda pertanto di ispezionare di volta in volta i bracci e di pulirli mediante piccola spazzola metallica.



Rimuovere il braccio irroratore superiore, ruotare l'anello di bloccaggio in plastica in senso orario. Il rimontaggio del braccio aspersore deve avvenire in modo che il lato con il maggior numero di fori sia rivolto verso l'alto.



È possibile smontare l'elemento aspersore del cestello inferiore sollevandolo verso l'alto.

## SISTEMA DI ADDOLCIMENTO DELL'ACQUA

L'addolcitore riduce automaticamente la durezza dell'acqua, impedendo la formazione di calcare sulla serpentina e contribuendo a migliorare l'efficienza di lavaggio.

**Questo sistema si rigenera con il sale, che deve essere perciò rabboccato quando il serbatoio del sale è vuoto.**

La frequenza di rigenerazione dipende dal livello di durezza impostato - con la durezza dell'acqua impostata al livello **3**, la rigenerazione avviene ogni **5** cicli Eco.

Il processo di rigenerazione inizia durante il risciacquo finale e termina nella fase di asciugatura, prima del termine del ciclo.

- Ogni rigenerazione comporta: un consumo di ~3,5 litri d'acqua;
- Un prolungamento di 5 minuti della normale durata del ciclo;
- Un consumo di energia minore di 0,005 kWh.

# RISOLUZIONE DEI PROBLEMI

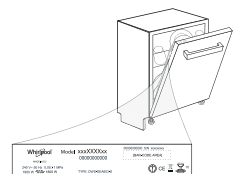
Se la lavastoviglie non funziona correttamente, provare a risolvere il problema consultando l'elenco sotto riportato. Per errori o problemi di altro tipo, contattare un Servizio Assistenza Tecnica autorizzato; i dati di contatto sono riportati nel libretto di garanzia. I ricambi saranno disponibili per un periodo fino a 7 o fino a 10 anni, secondo i requisiti specifici del regolamento.

PROBLEMI	POSSIBILI CAUSE	SOLUZIONE
La lavastoviglie non si avvia o i comandi non rispondono.	L'apparecchio non è stato collegato correttamente all'alimentazione elettrica.	Inserire la spina nella presa di corrente.
	Mancanza di corrente.	Per ragioni di sicurezza, la lavastoviglie non si riavvia automaticamente al ripristino della corrente elettrica. Aprire la porta, premere il tasto AVVIO/Pausa e richiudere la porta entro 4 secondi.
	Mancata chiusura della porta lavastoviglie.	Spingere con decisione la porta fino ad avvertire il caratteristico "clac".
	Il ciclo è stato interrotto con l'apertura dello sportello per più di 4 secondi.	Premere AVVIO/Pausa e chiudere lo sportello entro 4 secondi.
	Mancato funzionamento dei vari comandi.	Spegnere l'apparecchio premendo il tasto <b>ACCENSIONE/SPEGNIMENTO</b> , riaccenderlo dopo circa un minuto e riavviare il programma. Se il problema persiste, staccare l'apparecchio dalla rete elettrica per 1 minuto, quindi ricollegarlo.
Lo scarico della lavastoviglie non avviene.	Ciclo di lavaggio non ancora concluso.	Attendere la conclusione del ciclo di lavaggio.
	Tubo di scarico piegato.	Verificare che il tubo di scarico non sia piegato (vedere le <b>ISTRUZIONI DI INSTALLAZIONE</b> ).
	Tubo di scarico del lavandino ostruito.	Pulire il tubo di scarico del lavandino.
	Ostruzione filtro a causa di residui di cibo	Pulire il filtro (vedere <b>PULIZIA DEL GRUPPO FILTRO</b> ).
La rumorosità della lavastoviglie è eccessiva.	Urto dei piatti tra loro durante il lavaggio.	Sistemare le stoviglie nel modo corretto (vedere <b>CARICAMENTO DEI CESTELLI</b> ).
	Produzione eccessiva di schiuma.	Il dosaggio del detersivo non è stato stabilito in modo corretto oppure il detersivo non è del tipo adatto alle lavastoviglie (vedere <b>RIEMPIMENTO DELLA VASCHETTA DEL DETERSIVO</b> ). Per riavviare il ciclo in corso, spegnere e riaccendere la lavastoviglie, scegliere un nuovo programma, premere AVVIO/Pausa e chiudere lo sportello entro 4 secondi. Non aggiungere altro detersivo
I piatti non risultano puliti.	Errata disposizione delle stoviglie.	Sistemare le stoviglie nel modo corretto (vedere <b>CARICAMENTO DEI CESTELLI</b> ).
	Impedimento nella rotazione dei bracci aspersori a causa dell'interferenza dei piatti.	Sistemare le stoviglie nel modo corretto (vedere <b>CARICAMENTO DEI CESTELLI</b> ).
	Il ciclo di lavaggio è eccessivamente delicato.	Selezionare il programma adatto (vedere la <b>TABELLA DEI PROGRAMMI</b> ).
	Produzione eccessiva di schiuma.	Il dosaggio del detersivo non è stato stabilito in modo corretto oppure il detersivo non è del tipo adatto alle lavastoviglie (vedere <b>RIEMPIMENTO DEL DISTRIBUTORE DETERSIVO</b> ).
	Tappo sul vano brillantante non correttamente chiuso.	Accertarsi che il tappo sul distributore brillantante sia chiuso.
	Filtro sporco oppure ostruito.	Pulire il gruppo filtro (vedere <b>CURA E MANUTENZIONE</b> ).
La lavastoviglie non esegue il carico dell'acqua. Tutti i LED lo sono lampeggiante rapidamente	Mancanza di sale.	Riempire il serbatoio del sale (vedere <b>RIEMPIMENTO DEL SERBATOIO SALE</b> ).
	Assenza di alimentazione idrica o rubinetto chiuso.	Accertarsi che il tubo di alimentazione idrica contenga l'acqua necessaria o che il rubinetto sia aperto.
	Il tubo di carico è piegato	Accertarsi che il tubo di carico non sia piegato (vedere <b>INSTALLAZIONE</b> ) riprogrammare la lavastoviglie e riavviarla.
La lavastoviglie termina il ciclo di lavaggio troppo presto.	L'elemento filtrante nel tubo di carico è ostruito; è necessario pulirlo.	Dopo aver eseguito le operazioni di ispezione e pulizia, spegnere e accendere la lavastoviglie e avviare un programma nuovo.
	Il tubo di scarico è posizionato troppo in basso o crea un effetto sifone nell'impianto di scarico domestico.	Controllare che l'estremità del tubo di scarico si trovi all'altezza corretta (vedere <b>INSTALLAZIONE</b> ). Verificare eventuali effetti sifone nell'impianto di scarico domestico; se necessario, installare una valvola di ingresso aria.
La perdita di detergente.	Aria nel tubo di mandata dell'acqua.	Controllare che non vi siano perdite nell'impianto idraulico o altri problemi che causino l'ingresso di aria.
	Dipende dal detergente liquido utilizzato e può essere accentuata in caso di opzione di ritardo attivata.	Piccole perdite non causano malfunzionamenti della macchina e possono essere evitate cambiando il tipo di detergente liquido o utilizzando le pastiglie.

## Documentazione normativa, documentazione standard, ordinazione di pezzi di ricambio e altre informazioni sul prodotto possono essere reperite:

- Utilizzo del codice QR sul prodotto.
- Visitando il nostro sito web [docs.hotpoint.eu](https://docs.hotpoint.eu) e [parts-selfservice.europeanappliances.com](https://parts-selfservice.europeanappliances.com)
- Oppure, **contattare il Servizio Assistenza Tecnica** (al numero di telefono riportato sul libretto di garanzia). Quando si contatta il Servizio Assistenza Tecnica, fornire i codici presenti sulla targhetta matricola del prodotto.

I dati del modello possono essere richiamati usando il codice QR riportato sull'etichetta energetica. L'etichetta riporta anche il codice identificativo del modello che può essere utilizzato per consultare il portale di registrazione su <https://eprel.ec.europa.eu>.



# ДНЕВЕН РЕФЕРЕНТЕН ВОДИЧ



**ВИ БЛАГОДАРИМЕ ШТО КУПИВТЕ ПРОИЗВОД НА  
HOTPOINT ARISTON.**

За да добиете поцелосна помош, ве молиме регистрирајте  
го вашиот апарат на: [www.hotpoint.eu/register](http://www.hotpoint.eu/register)



**Пред да го користите апаратот, внимателно прочитајте го  
упатството за безбедност и инсталација.**

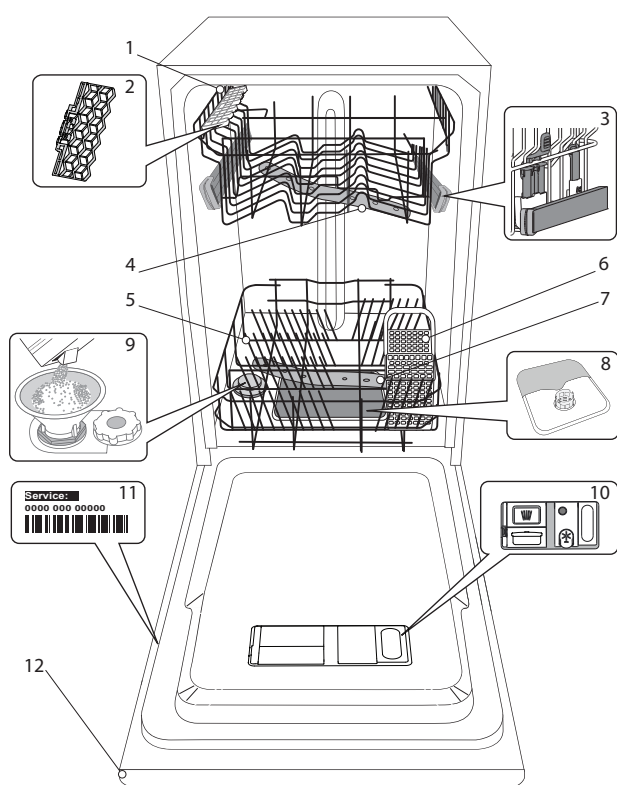
По инсталацијата, не заборавате да ги отстраните сите заштитни  
делови за транспорт од машината за садови.

**ВЕ МОЛИМЕ  
СКЕНИРАЈТЕ ГО QR-  
КОДОТ НА ВАШИОТ  
ПРОИЗВОД ЗА ДА  
ИМАТЕ ПОДЕТАЛНИ  
ИНФОРМАЦИИ.**



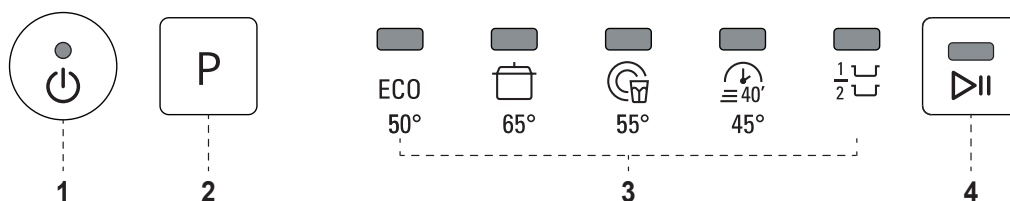
## ОПИС НА ПРОИЗВОДОТ

### АПАРАТ



1. Горна решетка
2. Склопливи клапи
3. Горна решетка Регулирање на висината
4. Горна рачка за прскање
5. Долна решетка
6. Кошница за прибор
7. Долна рачка за прскање
8. Филтер Склоп
9. Резервоар за сол
10. Резервоар за детергент и средство за плакнење
11. Плоча со ознака
12. Контролна табла

### КОНТРОЛЕН ПАНЕЛ



1. ON-OFF/Копче за ресетирање со индикаторско светло
2. Копче за избор на програма
3. Индикаторско светло на програмата
4. Копче START/Pause со индикаторско светло

# ПРВ ПАТ КОРИСТЕЊЕ СОЛ, СРЕДСТВО ЗА ПЛАКНЕЊЕ И ДЕТЕРГЕНТ

## СОВЕТ ЗА ПРВА УПОТРЕБА

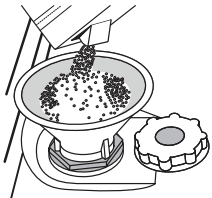
По монтажата, извадете ги запирачите од решетките и елементите за прицврстување од горната решетка.

## ПОЛНЕЊЕ НА РЕЗЕРВОАРОТ ЗА СОЛ

Употребата на сол го спречува создавањето на ВАРОВНИК на садовите и на функционалните компоненти на машината.

- Задолжително е **РЕЗЕРВОАРОТ ЗА СОЛ НИКОГАШ** да **НЕ БИДЕ ПРАЗЕН**.
- Важно е да ја поставите тврдоста на водата.

Резервоарот за сол се наоѓа во долниот дел на машината за миене садови (видете ОПИС НА ПРОИЗВОДОТ) и мора да се наполни кога зелената пловач на капачето на резервоарот за сол повеќе не е видлива.



1. Отстранете ја долната решетка и одвртете го капачето на резервоарот (спротивно од стрелките на часовникот).
2. **Само првиот пат кога ќе го направите ова: наполнете го резервоарот за сол со вода.**
3. Поставете ја инката (види слика) и наполнете го резервоарот за сол до нејзиниот раб (приближно 1 кг); не е невообичаено да истече малку вода.

4. Отстранете ја инката и избришете ги остатоците од сол од отворот. Проверете дали капачето е цврсто зашрафено, за да не може да влезе детергент во садот за време на програмата за миене (ова може да го оштети омекнувачот на вода трајно).

**Секогаш кога треба да додадете сол, задолжително е да ја завршите постапката пред почетокот на циклусот на перење за да избегнете корозија.**

## ПОСТАВУВАЊЕ НА ТВРДОСТА НА ВОДАТА

За да се овозможи омекнувачот на вода да работи на совршен начин, неопходно е поставката за тврдост на водата да се заснова на вистинската тврдост на водата во вашата куќа. Овие информации може да се добијат од вашиот локален снабдувач со вода.

Фабриката ја поставува стандардната вредност за тврдоста на водата.

- Вклучете го апаратот со притискање на копчето **ON/OFF**.
- Исклучете го апаратот со притискање на копчето **ON/OFF**.
- Држете го копчето **P** 5 секунди, додека не слушнете звучен сигнал.
- Вклучете го апаратот со притискање на копчето **ON/OFF**.
- Програмското индикаторско светло на тековното поставено ниво трепка
- Притиснете го копчето **P** за да го изберете саканото ниво (видете ТАБЕЛА ЗА ТРЖЛИВОСТ НА ВОДА).

Табела За Тврдоста На Вода

Ниво			°dH Германски степен	°fH Француски степен	°Clark Англиски степен
1	ECO	Мека	0 - 6	0 - 10	0 - 7
2		Средна	7 - 11	11 - 20	8 - 14
3		Просечна тврда	12 - 16	21 - 29	15 - 20
4		Тврда	17 - 34	30 - 60	21 - 42
5		Многу тврда	35 - 50	61 - 90	43 - 62

- Исклучете го апаратот со притискање на копчето **ON/OFF**.

Поставувањето е завршено!

Штом оваа постапка ќе заврши, стартувајте програма без вчитување.

**Користете само сол што е специјално дизајнирана за машини за миене садови.**

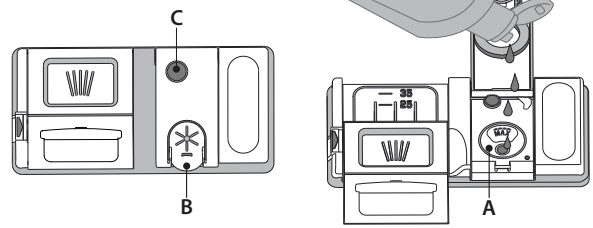
Откако солта ќе се истури во машината, показното светло за ПОПЛУВАЊЕ СОЛ се исклучува.

**Ако садот за сол не е наполнет, омекнувачот на вода и грејниот елемент може да се оштетат како резултат на акумулација на бигор.**

Се препорачува употреба на сол со секаков вид детергент за миене садови.

## ПОЛНЕЊЕ НА ДИСПЕНЗЕРОТ ЗА ПЛАКНЕЊЕ

Средството за плакнење го олеснува СУШЕЊЕТО на садовите. Дозерот за средство за плакнење **A** треба да се наполни кога темниот оптички индикатор на вратата на дозерот **C** ќе стане просирен.



1. Отворете го дозерот **B** со притискање и повлекување на јазичето на капакот.
2. Истурете го средството за плакнење (макс. 110 ml), внимавајте да не се прелее од дозерот. Ако тоа се случи, веднаш исчистете го истекувањето со сува крпа.
3. Притиснете го капакот надолу додека не слушнете клик за да го затворите.

**НИКОГАШ не истурајте го средството за плакнење директно во кадата на апаратот.**

## ПРИЛАГОДУВАЊЕ НА ДОЗАТА НА СРЕДСТВОТО ЗА ПЛАКНЕЊЕ

Ако не сте целосно задоволни со резултатите од сушењето, можете да ја прилагодите количината на употребеното средство за плакнење.

- Вклучете ја машината за миене садови користејќи го копчето **ON/OFF**.
- Исклучете го со копчето **ON/OFF**.
- Притиснете го копчето **P** три пати - ќе се слушне звучен сигнал.
- Вклучете го со копчето **ON/OFF**.
- Програмското индикаторско светло на тековното поставено ниво трепка.
- Притиснете го копчето **P** за да го изберете нивото на количината на средство за плакнење што треба да се испорача.
- Исклучете го со помош на копчето **ON/OFF**.

Поставувањето е завршено!

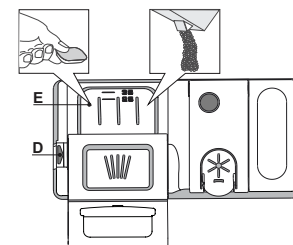
Ако нивото на средството за плакнење е поставено на НУЛА, нема да се испорача средство за плакнење. Показното светло НИСКО ПОМОШ ЗА ПЛАКНЕЊЕ нема да свети ако ви снеса средство за плакнење. Може да се постават најмногу 5 нивоа според моделот на машината за миене садови.

Фабричкото поставување е специфично за моделот, следете ги упатствата погоре за да го проверите ова за вашата машина.

- Ако видите синкасти ленти на садовите, поставете мал број (2-3).
- Ако има капки вода или траги од бигор на садовите, поставете број од среден опсег (4-5).

## ПОЛНЕЊЕ НА ДИСПЕНЗЕРОТ ЗА ДЕТЕРГЕНТ

За да го отворите дозерот за детергент, користете го уредот за отворање **D**. Внесете го детергентот само во сувиот дозер **E**. Поставете ја количината на детергент за предмиење директно во кадата.



1. Кога го мерите детергентот, погледнете ги споменатите претходни информации за да ја додадете соодветната количина. Внатре во дозерот **E** има индикации кои помагаат во дозирањето на детергентот.
2. Отстранете ги остатоците од детергентот од рабовите на дозерот и затворете го капакот додека не кликне.
3. Затворете го капакот на дозерот за детергент со влечење нагоре додека уредот за отворање не се прицврсти на своето место.

Дозерот за детергент автоматски се отвора во вистинско време според програмата.

**Употребата на детергент што не е наменет за машини за миене садови може да предизвика дефект или оштетување на апаратот.**

# ТАБЕЛА НА ПРОГРАМИ

Програма			Фаза на сушење	Времетраење на програмата за миење (ч:мин) <sup>*)</sup>	Потрошувачка на вода (литри/циклус)	Потрошувачка на енергија (kWh/циклус)
1. Еко	ECO	50°	✓	4:30	11.5	0.76
2. Интензивна		65°	✓	2:30	15.5	1.50
3. Мешани		55°	✓	2:30	15.5	1.30
4. Репид 40'		45°	-	0:40	8.5	0.90
5. Половина Полнење		55°	✓	1:20	11.5	0.90

Податоците од програмата ЕКО се мерат во лабораториски услови според европскиот стандард EN 60436:2020.

Забелешка за тест лаборатории: За информации за компаративните услови за тестирање EN, ве молиме испратете е-пошта на следната адреса: [dw\\_test\\_support@europeanappliances.com](mailto:dw_test_support@europeanappliances.com)

Не е потребен претходен третман на садовите пред некоја од програмите.

\*) Вредностите дадени за програми различни од еко-програмата се само индикативни. Вистинското време може да варира во зависност од многу фактори како што се температурата и притисокот на влезната вода, собната температура, количината на детергент, количината и типот на полнење, балансирањето на товарот, дополнителните избрани опции и калибрацијата на сензорот. Калибрацијата на сензорот може да го зголеми времетраењето на програмата до 20 мин..

## ОПИС НА ПРОГРАМИТЕ

### Инструкции за избор на циклус на миење

#### 1 ЕКО

Еко програмата е погодна за чистење на нормално извалкани садови, бидејќи за оваа употреба е најефикасната програма во однос на нејзината комбинирана потрошувачка на енергија и вода и дека се користи за проценка на усогласеноста со законодавството на ЕУ за екодизајн.

#### 2 ИНТЕНЗИВНА

Програма се препорачува за многу извалкани садови, особено погодна за тави и тенџериња (да не се користи за деликатни предмети).

#### 3 МЕШАНИ

Мешано валкани. За нормално извалкани садови со остатоци од сушена храна.

#### 4 РАПИД 40'

Програма што ќе се користи за половина товар на лесно извалкани садови без остатоци од исушена храна. Нема фаза на сушење.

#### 5 ПОЛОВИНА ПОЛНЕЊЕ

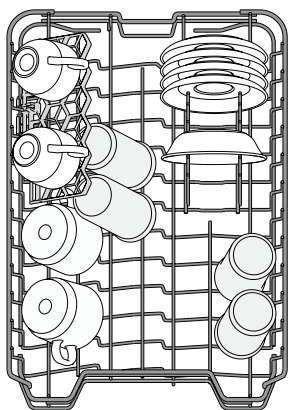
Идеален за миење на половина товар на лесно или нормално извалкани садови.

#### Забелешки:

Ве молиме имајте предвид тој циклус *Репид 40'*, е наменет за малку извалкани садови.

# ПОПОЛНУВАЊЕ НА РЕШТКИТЕ

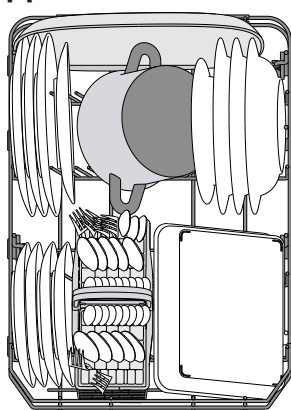
## ГОРНА РЕШЕТКА



Ставете деликатни и лесни садови: чаши, шољи, чинии, ниски чинии за салата.

(пример за пополнување на горната решетка)

## ДОЛНА РЕШЕТКА

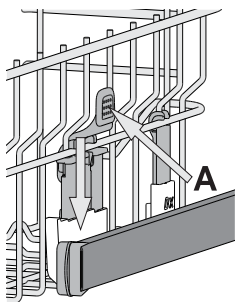


За тенџериња, капаци, чинии, чинии за салата, прибор за јадење итн. Големите чинии и капаци може идеално да се постават на страните за да не се попречи кратокот на прскалката.

(пример за полнење на долната решетка)

## ПРИЛАГОДУВАЊЕ НА ВИСИНАТА НА ГОРНАТА РЕШЕТКА

Висината на горната решетка може да се прилагоди: висока положба за ставање гломазни садови во долната корпа и ниска положба за максимално искористување на потпирачите за капење со создавање повеќе простор нагоре и избегнување судир со ставки натоварени во долната решетка. Горната решетка е опремена со **регулатор на висината на горниот решетка** (види слика), без притискање на рачките, подигнете ја нагоре со едноставно држење на страните на решетката, штом решетката е стабилна во горната положба. За да се вратите во долната положба, притиснете ги рачките **A** на страните на решетката и поместете ја корпата надолу.



**Силно препорачуваме да не ја прилагодувате висината на решетката кога е наполнета.**

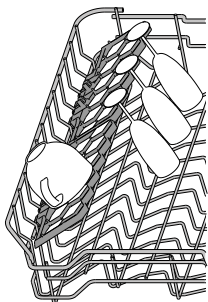
**НИКОГАШ не ја кревајте или спуштајте корпата само од една-та страна.**

## СТРАНИЧНИ КЛАПИ СО ПРИЛАГОДЛИВА ПОЛОЖБА

Страничните преклопни клапи може да се преклопат или да се расклопат за да се оптимизира распоредот на сатовите во решетката. Чашите за вино може безбедно да се стават во преклопливите клапи со вметнување на стеблото на секоја чаша во соодветните отвори.

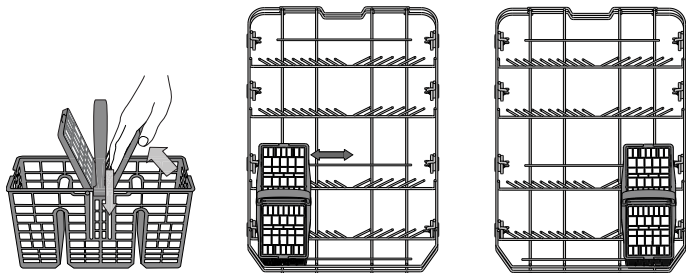
Во зависност од моделот:

- за да ги одвиткате клапите, потребно е да го лизнете нагоре и да го ротирате или ослободите од прицврстувачите и да го повлечете надолу.
- за да ги свиткате клапите, потребно е да го ротирате и да ги лизнете клапите надолу или да го повлечете нагоре и да ги закачите клапите на клиповите.



## КОШНИЦА ЗА ПРИБОР

Кошницата е опремена со врвни решетки за подобрен распоред на приборот за јадење. Корпата за прибор за јадење треба да биде поставена само на предната страна на долната решетка.



**Ножевите и другите прибори со остри рабови мора да се стават во корпата за прибор за јадење со точките свртени надолу или мора да бидат поставени хоризонтално во преградите за навртување на горната решетка.**

# СЕКОЈДНЕВНА УПОТРЕБА

## 1. ПРОВЕРЕТЕ ГО ПОВРЗУВАЊЕТО ВО ВОДА

Проверете дали машината за миење садови е поврзана со довод на вода и дали славината е отворена.

## 2. ВКЛУЧЕТЕ ЈА МАШИНАТА ЗА МИЕЊЕ ЗА САДОВИ

Отворете ја вратата и притиснете го копчето **ON/OFF**.

## 3. ПОЛНЕТЕ ГИ РЕШЕТКИТЕ

(видете **ПОПОЛНУВАЊЕ НА РЕШЕТКИТЕ**)

## 4. ПОЛНЕЊЕ НА ДИСПЕНЗЕР ЗА ДЕТЕРГЕНТ

**5. ИЗБЕРЕТЕ ЈА ПРОГРАМАТА И ПРИЛАГОДУВАЈТЕ ГО ЦИКЛУСОТ**  
Изберете ја најсоодветната програма во согласност со типот на садовите и нивото на неговата извалканост (видете **ОПИС НА ПРОГРАМИТЕ**) со притискање на копчето **P**. Изберете ги саканите опции (видете **ОПЦИИ И ФУНКЦИИ**).

## 6. СТАРТ

Започнете го циклусот на перење со притискање на копчето **СТАРТ/Пауза** (светилката свети) и затворање на вратата во рок од 4 секунди. Кога програмата ќе започне, слушате еден звучен сигнал. Ако вратата не се затвори во рок од 4 секунди, ќе се ре-продуцира алармот. Во овој случај, отворете ја вратата, притиснете го копчето **СТАРТ/Пауза** и повторно затворете ја вратата во рок од 4 секунди.

## 7. КРАЈ НА ЦИКЛУСОТ НА ПЕРЕЊЕ

Крајот на циклусот на перење се означува со звучни сигнали и со трепкање на бројот на циклусот на перење на екранот. Отворете ја вратата и исклучете го апаратот со притискање на копчето **ON/OFF**. Почekaјте неколку минути пред да ги извадите садовите - за да избегнете изгореници. Растворете ги решетките, почнувајќи од долниот.

Машината автоматски ќе се исклучи за време на одредени подолги периоди на неактивност, со цел да се минимизира потрошувачката на електрична енергија. Ако садовите се малку извалкани или ако се исплакнат со вода пред да се стават во машина за миење садови, соодветно намалете ја количината на употребениот детергент

## МОДИФИКУВАЊЕ НА ВКЛУЧЕНА ПРОГРАМА

Ако е избрана погрешна програма, можно е да се смени, под услов да само што започнала: притиснете и задржете го копчето **ON/OFF**, машината ќе се исклучи. Вклучете ја машината повторно користејќи го копчето **ON/OFF** и изберете го новиот циклус на перење и сите посакувани опции; започнете го циклусот со притискање на копчето **СТАРТ/Пауза**.

## ДОДАВАЊЕ НА ДОПОЛНИТЕЛНИ САДОВИ

Без исклучување на машината, отворете ја вратата (**пазете се од ТОПЛА пара!**) и ставете ги садовите во машината за миење садови. Затворете ја вратата и притиснете го копчето **СТАРТ/Пауза** циклусот ќе започне од местото каде што бил прекинат.

## СЛУЧАЈНИ ПРЕКИНИ

Ако вратата се отвори за време на циклусот на перење или ако дојде до прекин на струја, циклусот престанува. Откако ќе се затвори вратата или ќе се врати напојувањето со електрична енергија, за повторно да го започнете циклусот од местото каде што беше прекинат, притиснете го копчето **СТАРТ/Пауза**.

# СОВЕТИ И ПРЕДЛОЗИ

## СОВЕТИ

Пред да ги ставите корпите, отстранете ги сите остатоци од храна од садовите и испразнете ги чашите. Не треба претходно да се плакнете под млаз вода. Наредете ги садовите така што да се држат цврсто и да не се превртуваат; и наредете ги контејнерите со отворите свртени надолу и конкавните/конвексните делови поставени косо, со што ќе дозволите водата да стигне до секоја површина и слободно да тече. **Предупредување:** капаците, рачките, плеховите и тавите за пржење не го спречуваат ротирањето на краците на распрскувачот. Ставете ги сите мали предмети во корпата за прибор за јадење. Многу валкани садови и тави треба да се стават во долната корпа бидејќи во овој сектор прскањата со вода се посилни и овозможуваат повисоки перформанси на миење.

**Откако ќе го наполните апаратот, проверете дали краците на распрскувачот можат слободно да се ротираат.**

## ОШТЕТУВАЊЕ НА ЧАШИТЕ И ПРИБОРОТ

- Користете само чаши и порцелан гарантирани од производителот како безбедни во машина за миење садови.
- Користете нежен детергент погоден за садови
- Соберете чаши и прибор за јадење од машината за миење садови штом ќе заврши циклусот на миење.

## ХИГИЕНА

За да избегнете мирис и талог што може да се акумулира во машината за миење садови, **користете програма за висока температура најмалку една месечно**. Користете една кафена лажичка детергент и истурете ја без полнење за да го исчистите вашиот апарат.

## НЕСООДВЕТНИ САДОВИ

- Дрвени садови и прибор за јадење.
- Нежно украсени чаши, уметнички ракотворби и антички садови. Нивните украси не се отпорни.
- Делови од синтетички материјал кои не издржуваат високи температури.
- Бакарни и лимени садови.
- Садови извалкани со пепел, восок, маст за подмачкување или мастило.

Боите на стаклените украси и алуминиумските/сребрените парчиња може да се променат и избледат за време на процесот на перење. Некои видови стакло (на пр. кристални предмети) може да станат непроѕирни и по неколку циклуси на перење.

## СОВЕТИ ЗА ШТЕДЕЊЕ НА ЕНЕРГИЈА

- Кога машината за миење садови за домаќинство се користи според упатствата на производителот, **миењето садови во машина за садови обично троши помалку енергија и вода отколку рачното миење садови**.
- Со цел да се зголеми ефикасноста на машината за миење садови, **се препорачува да се започне циклусот на миење откако машината за миење садови е целосно наполнета**. Полнењето на машината за миење садови за домаќинство до капацитетот назначен од производителот ќе придонесе за заштеда на енергија и вода. Информациите за правилното ставање на садовите за јадење може да се најдат во поглавјето **ПОПОЛНУВАЊЕ НА РЕШЕТКИТЕ**. Во случај на делумно полнење, се препорачува да се користат посебни опции за перење доколку се достапни (Половина Полнење, Zone Wash, Multizone), пополнувајќи ги само избраните лавици. Неправилното полнење или преоптоварување на машината за миење садови може да го зголеми искористувањето на ресурсите (како што се вода, енергија и време, како и да го зголеми нивото на бучава), намалувајќи ги перформансите на чистење и сушење.
- Рачното претходно плакнење на садовите за јадење доведува до зголемена потрошувачка на вода и енергија и не се препорачува. лажичка детергент и истурете ја без полнење за да го исчистите вашиот апарат.

## ОТПОРНА НА ЗАМРЗНУВАЊЕ

Ако апаратот е поставен во околина изложена на ризик од мраз, **мора водата целосно да се испушти**. Затворете го вентилот за вода, извадете ги доводните и одводните црева и оставете ја целата вода да истече. **Проверете дали омекнувачот на вода е полн со растворена сол за регенерација во садот за сол**, за заштита на апаратот од температури до  $-20^{\circ}\text{C}$ .

Ако апаратот се чувал во услови на мраз, истиот мора да остане на амбиентална температура од мин.  $5^{\circ}\text{C}$  **најмалку 24 часа** пред првото вклучување.

# НЕГА И ОДРЖУВАЊЕ

## ЧИСТЕЊЕ НА СКЛОПОТ НА ФИЛТЕРОТ

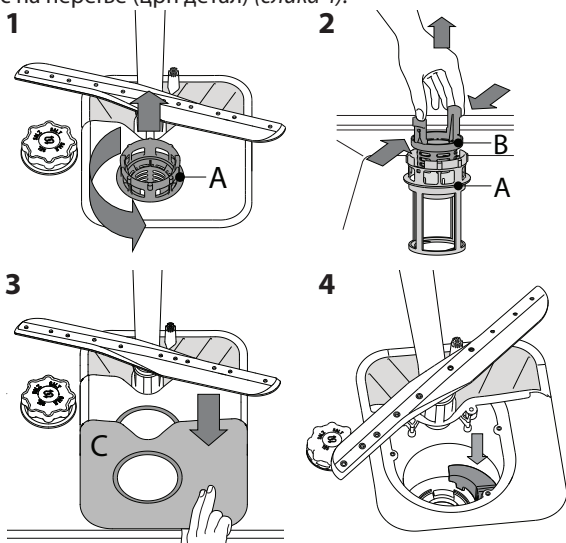
Редовно чистете го склопот на филтерот за да не се затнат филтрите и правилно да тече отпадната вода.

Користењето машина за миеење садови со затнати филтри или туѓи предмети во системот за филтрирање или прскалки може да предизвика дефект на единицата што резултира со губење на перформансите, бучна работа или поголема употреба на ресурси. Склопот на филтерот се состои од три филтри кои ги отстрануваат остатоците од храна од водата за перење и потоа ја рециркулираат водата.

**Машината за миеење садови не смее да се користи без филтри или ако филтерот е лабав.**

Најмалку еднаш месечно или по секои 30 циклуси, проверете го склопот на филтерот и доколку е потребно исчистете го темелно под проточна вода, користејќи неметална четка и следејќи ги упатствата подолу:

1. Свртете го цилиндричниот филтер **A** во насока спротивно од стрелките на часовникот и извлекете го (слика 1).
2. Отстранете го филтерот за чаши **B** со мал притисок врз страничните клапи (слика 2).
3. Извлекете го филтерот со плоча од не'рѓосувачки челик **C** (слика 3).
4. Во случај да најдете туѓи предмети (како скршено стакло, порцелан, коски, семки од овошје итн.) **Ве молиме внимателно отстранете ги.**
5. Проверете ја стапцата и отстранете ги сите остатоци од храна. **НИКОГАШ НЕ ОТСТРАНУВАЈТЕ** ја заштитата на пумпата за циклус на перење (црн детал) (слика 4).



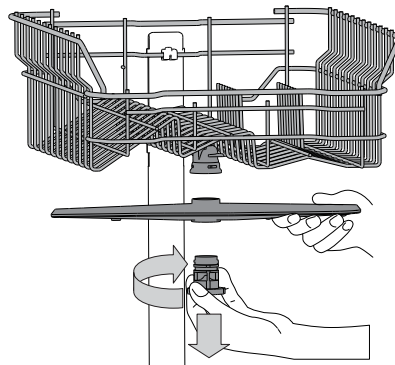
Откако ќе ги исчистите филтрите, повторно поставете го склопот на филтерот и правилно фиксирајте го во положбата; ова е од суштинско значење за одржување на ефикасната работа на машината за миеење садови.

## ЧИСТЕЊЕ НА ЦРЕВОТО ЗА ВЛЕЗ НА ВОДА

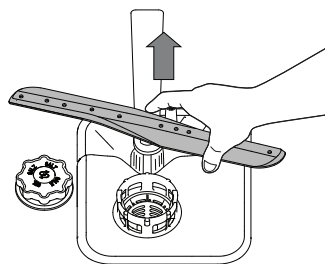
Ако цревата за вода се нови или не биле користени подолг временски период, оставете ја водата да тече за да бидете сигурни дека е чиста и без нечистотии пред да ги извршите потребните приклучоци. Ако не се преземе оваа мерка на претпазливост, доводот за вода може да се блокира и да ја оштети машината за миеење садови.

## ЧИСТЕЊЕ НА ПРСКАЛКИТЕ

Во некои прилики, остатоците од храна може да се наталожат на прскалките и да ги блокираат дупките што се користат за прскање на водата. Затоа се препорачува одвреме-навреме да ги проверувате краците и да ги чистите со мала неметална четка.



За да ја извадите горната рачка за прскање, свртете го пластичниот прстен за заклучување во насока на стрелките на часовникот. Горната прскалка треба да се замени така што страната со поголем број отвори да биде свртена нагоре.



Долната рачка за прскање може да се отстрани со влечење нагоре.

## СИСТЕМ ЗА ОМЕКНУВАЊЕ НА ВОДАТА

Омекнувачот на вода автоматски ја намалува тврдоста на водата, следствено, спречувајќи наталожување бигор на грејачот, придонесувајќи и за подобра ефикасност на чистењето.

**Овој систем сам се регенерира со сол, затоа е потребно повторно да се наполни садот за сол кога е празен.**

Фреквенцијата на регенерација зависи од поставувањето на нивото на тврдост на водата. Регенерацијата се одвива еднаш на секои **5** Еко циклуси со ниво на тврдост на водата поставено на 3.

Процесот на регенерација започнува во последното плакнење и завршува во фазата на сушење, пред да заврши циклусот.

- Единечната регенерација троши: ~3,5L вода;
- Потребни се до 5 дополнителни минути за циклусот;
- Троши под 0,005 kWh енергија.

# РЕШАВАЊЕ НА ПРОБЛЕМИ

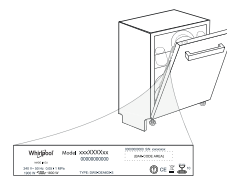
Во случај вашата машина за миење садови да не работи правилно, проверете дали проблемот може да се реши со одење низ следнава листа. За други грешки или проблеми, ве молиме контактирајте со овластен сервис за постпродажба, кој деталите за контакт може да ги најдете во гарантната книшка. Резервните делови ќе бидат достапни за период до 7 или до 10 години, во согласност со специфичните барања на регулативата.

ПРОБЛЕМИ	МОЖНИ ПРИЧИНИ	РЕШЕНИЈА
Машината за миење садови нема да се вклучи или не реагира на командите.	Апаратот не е приклучен правилно.	Вметнете го приклучокот во штекерот.
	Прекин на струја	Од безбедносни причини, машината за миење садови нема повторно да се вклучи автоматски кога ќе се врати напојувањето. Отворете ја вратата од машината за миење садови, притиснете го копчето СТАРТ/Пауза и затворете ја вратата во рок од 4 секунди.
	Вратата на машината за миење садови не е затворена.	Енергично туркајте ја вратата додека не слушнете „клик“.
	Циклусот е прекинат со отворање на вратата повеќе од 4 секунди.	Притиснете СТАРТ/Пауза и затворете ја вратата во рок од 4 секунди.
Машината за миење садови нема да исцеди.	Не реагира на команди.	Исклучете го апаратот со притискање на копчето за ON/OFF, вклучете го повторно по приближно една минута и рестартирајте ја програмата. Ако проблемот продолжи, исклучете го апаратот 1 минута, а потоа повторно вклучете го.
	Циклусот на перење сè уште не е завршен.	Почекајте додека не заврши циклусот на перење.
	Цревето за одвод е свиткано.	Проверете дали одводното црево не е свиткано (видете УПАТСТВО ЗА ИНСТАЛАЦИЈА).
Машината за миење садови прави прекумерна бучава.	Цевката за одвод на мијалникот е блокирана.	Исчистете ја одводната цевка на мијалникот.
	Филтерот е затнат со остатоци од храна.	Исчистете го филтерот (видете ЧИСТЕЊЕ НА СКЛОПОТ НА ФИЛТЕР).
Машината за миење садови прави прекумерна бучава.	Садовите се удаат едни со други.	Правилно поставете ги садовите (видете ПОПОЛНУВАЊЕ НА РЕШЕТКИТЕ).
	Произведено е прекумерно количество пена.	Детергентот не е правилно измерен или не е погоден за употреба во машини за миење садови (видете ПОЛНЕЊЕ НА ДИСПЕНЗЕРОТ ЗА ДЕТЕРГЕНТ). Рестартирајте го тековниот циклус со исклучување на машината за миење садови, потоа повторно вклучете ја, изберете нова програма, притиснете СТАРТ/Пауза и затворете ја вратата во рок од 4 секунди. Ве молиме не додавајте детергент.
Садовите не се чисти.	Садовите не се наредени како што треба.	Правилно наредете ги садовите (видете ПОПОЛНУВАЊЕ НА РЕШЕТКИТЕ).
	Прскалките не можат слободно да се ротираат, бидејќи садовите ги попречуваат.	Правилно наредете ги садовите (видете ПОПОЛНУВАЊЕ НА РЕШЕТКИТЕ).
	Циклусот на миење е премногу нежен.	Изберете соодветен циклус на перење (видете ТАБЕЛА НА ПРОГРАМИ).
	Произведено е прекумерно количество пена.	Детергентот не е правилно измерен или не е погоден за употреба во машини за миење садови (видете ПОЛНЕЊЕ НА ДИСПЕНЗЕРОТ ЗА ДЕТЕРГЕНТ).
	Капачето на преградата за средство за плакнење не е правилно затворено.	Проверете дали капачето на дозерот за средство за плакнење е затворено.
	Филтерот е извалкан или затнат.	Исчистете го склопот на филтерот (видете ГРИЖА И ОДРЖУВАЊЕ).
Машината за миење садови не ја полни водата. Сите LED диоди брзо трепкаат	Нема сол.	Наполнете го резервоарот за сол (видете ПОЛНЕЊЕ НА РЕЗЕРВОАРОТ ЗА СОЛ).
	Нема вода во доводот за вода или славината е затворена.	Проверете дали има вода во доводот за вода или водоводната славина.
	Доводното црево е свиткано.	Проверете дали доводното црево не е свиткано (видете ИНСТАЛАЦИЈА) репрограмирајте ја машината за миење садови и рестартирајте ја.
Машината за миење садови предвреме го завршува циклусот.	Ситото во цревето за довод на вода е затнато; потребно е да се исчисти	Откако ќе ја извршите проверката и чистењето, исклучете ја и вклучете ја машината за миење садови и рестартирајте нова програма.
	Цревето за одводнување е поставено премногу ниско или се влева во домашната канализација.	Проверете дали крајот на одводното црево е поставен на правилна висина (видете ИНСТАЛАЦИЈА). Проверете дали водата се испушта во домашната канализација и доколку е потребно, поставете воздушни вентил.
Истекувањето на детергентот.	Воздух во снабдувањето со вода.	Проверете го доводот на вода за протекување или други проблеми што го пуштаат воздухот внатре.
	Зависи од течниот детергент што се користи и може да се нагласи во случај на активирање на опцијата за одложување.	Малите протекувања нема да предизвикаат дефект на машината и може да се спречат со промена на типот на течен детергент или со користење таблети.

**Политики, стандардна документација, нарачка на резервни делови и дополнителни информации за производот може да се најдат со:**

- Користење на QR-код
- Посетете ја нашата веб-страница [docs.hotpoint.eu](https://docs.hotpoint.eu) и [parts-selfservice.europeanappliances.com](https://parts-selfservice.europeanappliances.com)
- Алтернативно, **контактирајте ја нашата служба за постпродажба** (види телефонски број во гарантната книшка). Кога ја контактирате нашата служба за постпродажба, ве молиме наведете ги шифрите дадени на идентификациската табличка на вашиот производ.

Информациите за моделот може да се вратат со користење на QR-кодот пријавен во енергетската етикета. Етикетата го вклучува и идентификаторот на моделот што може да се користи за да се консултира порталот на регистарот на <https://eprel.ec.europa.eu>.



# NAVODILA ZA ODPRAVLJANJE TEŽAV



**HVALA, KER STE KUPILI IZDELEK ZNAMKE HOTPOINT ARISTON.**  
Za popolno podporo aparat registrirajte na spletni strani:  
[www.hotpoint.eu/register](http://www.hotpoint.eu/register)

**ZA PODROBNEJŠE  
INFORMACIJE  
POSKENIRAJTE  
KODO QR  
NA NAPRAVI**

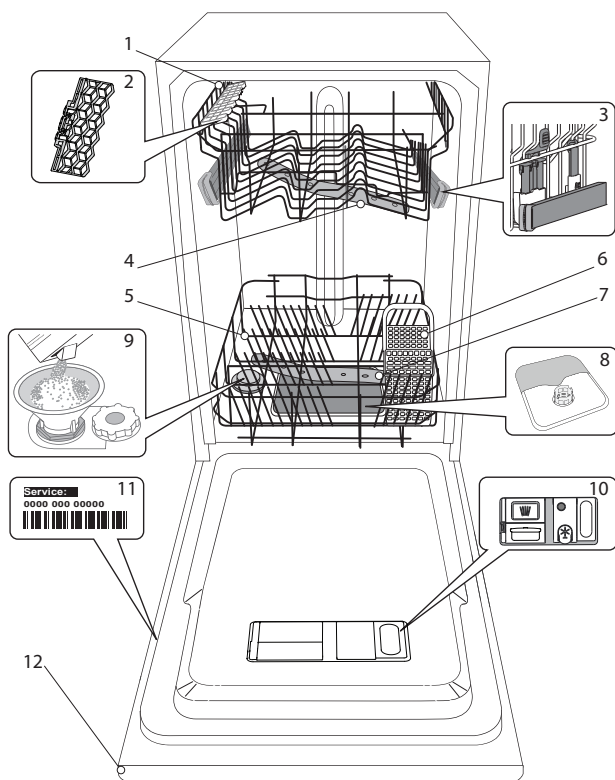


**Pred uporabo aparata pozorno preberite varnostna navodila in navodila za namestitev.**

Po namestitvi iz pomivalnega stroja ne pozabite odstraniti vseh transportnih varoval.

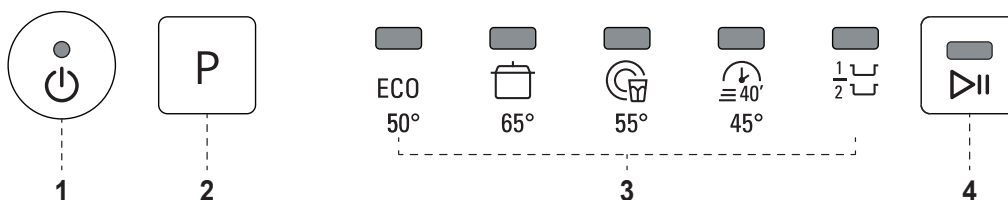
## OPIS IZDELKA

### APARAT



1. Zgornja košara
2. Zložljiva polička
3. Regulator višine zgornje košare
4. Zgornja pršilna roka
5. Spodnja košara
6. Košarica za pribor
7. Spodnja pršilna roka
8. Filtrirni sklop
9. Posoda za sol
10. Prekat za pomivalno sredstvo in posoda za tekočino za lesk
11. Napisna ploščica
12. Upravljalna plošča

### UPRAVLJALNA PLOŠČA



1. Tipka za Vklop/Izklop/Ponastavitev s signalno lučko
2. Tipka za izbiro programa s signalno lučko
3. Indikatorske lučke programov
4. Tipka za Zagon/Premor s signalno lučko

# Hotpoint

ARISTON

# PRVA UPORABA

## SOL, TEKOČINA ZA LESK IN POMIVALNO SREDSTVO

### NASVETI ZA PRVO UPORABO

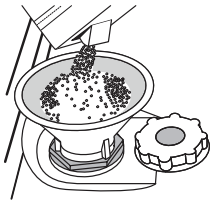
Po namestitvi iz košar odstranite varovala in pritrtilne elastike iz zgornje košare.

### POLNJENJE POSODE ZA SOL

Uporaba soli preprečuje nastajanje VODNEGA KAMNA na posodi in na delujočih komponentah aparata.

- Obvezno je, da **POSODA ZA SOL NI NIKOLI PRAZNA**.
- Trdoto vode je treba obvezno nastaviti.

Posoda za sol je v spodnjem delu pomivalnega stroja (glejte Opis izdelka) in jo je treba napolniti, ko zeleni plovček na pokrovu posode za sol ni več viden.



1. Izvzemite spodnjo košaro in odvijte pokrovček posode (v nasprotni smeri urnega kazalca).
2. **Samo ob prvi uporabi: posodo za sol napolnite z vodo.**
3. Namestite lijak (glejte sliko) in posodo za sol napolnite do roba (približno 1 kg); nič nenačnega ni, če pri tem iz posode izteče nekaj vode.
4. Odstranite lijak in obrišite ostanke soli okrog odprtine.

Pokrovček mora biti trdno pravit, da pomivalno sredstvo med pomivanjem ne more prodreti v posodo (to bi lahko sistem za mehčanje vode nepopravljivo poškodovalo).

**Ko je treba dodati sol, morate postopek obvezno zaključiti pred začetkom pralnega cikla, da preprečite korozijo.**

### NASTAVITEV TRDOTE VODE

Za brezhibno delovanje sistema za mehčanje vode je ključnega pomena, da nastavev trdote vode ustreza dejanskim vrednostim trdote vode v vašem domu. Te vrednosti so vam na voljo pri krajevnem vodovodnem podjetju.

Privzeta vrednost trdote vode je nastavljena tovarniško.

- S pritiskom na tipko za **VKLOP/IZKLOP** vklopite aparat.
- S pritiskom na tipko za **VKLOP/IZKLOP** izklopite aparat.
- 5 sekund držite tipko za **P**, da zaslišite zvočni signal.
- S pritiskom na tipko za **VKLOP/IZKLOP** vklopite aparat.
- Signalna lučka programa trenutno nastavljene stopnje utripa.
- Pritisnite tipko **P** za izbiro zelene ravni trdote (glejte RAZPREDELNICO ZA TRDOTO VODE).

Stopnja			°dH Nemške stopinje	°fH Francoske stopinje	°Clark Angleške stopinje
1	ECO	Mehka	0 - 6	0 - 10	0 - 7
2		Srednja	7 - 11	11 - 20	8 - 14
3		Povprečna	12 - 16	21 - 29	15 - 20
4		Trda	17 - 34	30 - 60	21 - 42
5		Zelo trda	35 - 50	61 - 90	43 - 62

- S pritiskom na tipko za **VKLOP/IZKLOP** izklopite aparat.

Nastavev je končana!

Ko to storite, zaženite program brez posode.

**Uporabite sol, ki je bila zasnovana posebej za pomivalne stroje.**

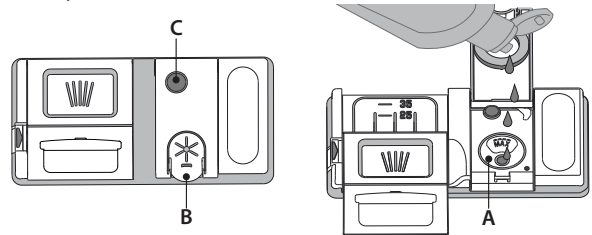
Ko dodate sol, signalna lučka za NIZKO RAVEN SOLI ugasne.

**Če posoda za sol ni napolnjena, se lahko sistem za mehčanje vode in grelnik poškodujeta zaradi nabiranja vodnega kamna.**

**Uporaba soli je priporočljiva s katero koli vrsto sredstva za pomivanje posode.**

### POLNJENJE POSODE ZA TEKOČINO ZA LESK

Teočina za lesk olajša SUŠENJE posode. Odmernik za pomoč pri izpiranju **A** je treba napolniti, ko temni optični kazalnik na vratih odmernika **C** postane prozoren.



1. Posodo **B** odprete tako, da pritisnete na jeziček na pokrovčku in ga povlečete.
2. Teočino za lesk previdno nalijte do oznake za maksimum (110 ml), pri čemer pazite, da teočine ne polivate. Če se to vseeno zgodi, razlito teočino nemudoma pobrišite s suho krpo.
3. Pritisnite na pokrovček, da se slišno zaskoči.

**Teočine za lesk NE nalivajte neposredno v kad.**

### NASTAVITEV ODMERJANJA TEKOČINE ZA LESK

Če rezultati sušenja niso popolnoma zadovoljivi, lahko spremenite količino uporabljene teočine za lesk.

- Vključite pomivalni stroj s tipko za **VKLOP/IZKLOP**.
- Aparat izklopite s tipko za **VKLOP/IZKLOP**.
- Trikrat pritisnite tipko **P** – zasliši se zvočni signal.
- Aparat vklopite s tipko za **VKLOP/IZKLOP**.
- Signalna lučka programa trenutno nastavljene stopnje utripa.
- Pritisnite tipko **P**, da izberete količino dovajanja teočine za lesk.
- Aparat izklopite s tipko za **VKLOP/IZKLOP**.

Nastavev je končana!

Če je raven teočine za lesk nastavljena na 1 (ECO), aparat ne bo dovajal teočine za lesk. Signalna lučka za NIZKO RAVEN TEKOČINE ZA LESK ne bo zasvetila, če teočine za lesk zmanjka.

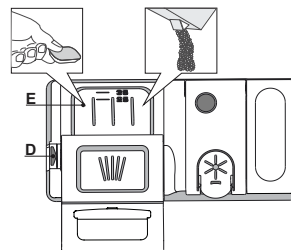
Glede na model pomivalnega stroja je mogoče nastaviti največ 5 stopnje. Tovarniška namestitev je odvisna od modela. Pri svojem aparatu jo preverite, tako da sledite zgornjim navodilom.

- Če so na posodi modre črte, nastavite nižjo vrednost (2-3).
- Če so na posodi sledi vodnih kapljic ali vodnega kamna, nastavite višjo vrednost (4-5).

### POLNJENJE PREKATA ZA POMIVALNO SREDSTVO

**Da odprete prekat za pomivalno sredstvo, uporabite odpiralo D.**

**Pomivalno sredstvo dodajte samo v suh prekat E. Količino pomivalnega sredstva za predpomivanje odmerite neposredno v kad.**




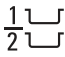


1. Pri odmerjanju pomivalnega sredstva glejte prej omenjene podatke, da boste odmerili ustrezno količino. V prekату **E** so označbe za pomoč pri doziranju pomivalnega sredstva.
2. Odstranite ostanke pomivalnega sredstva z robov prekata in zaprite pokrovček tako, da se slišno zaskoči.
3. Zaprite pokrovček prekata za pomivalno sredstvo tako, da ga potiskate navzgor, dokler zapiralo ni na svojem mestu.

Prekat za pomivalno sredstvo se ob pravem času glede na dani program samodejno odpre.

**Uporaba pralnega sredstva, ki ni namenjen strojnemu pomivanju, lahko povzroči nepravilno delovanje ali aparat poškoduje.**

# PROGRAMSKA TABELA

Program	Faza sušenja	Trajanje pomivanja (h:min) <sup>*)</sup>	Poraba vode (litri/pranje)	Poraba energije (kWh/pranje)
1. Eko ECO 50°	✓	4:30	11.5	0.76
2. Intenzivno  65°	✓	2:30	15.5	1.50
3. Mešano  55°	✓	2:30	15.5	1.30
4. Hitri program 40'  45°	-	0:40	8.5	0.90
5. Polovično Polnjenje  55°	✓	1:20	11.5	0.90

Meritve podatkov za program ECO so bile izvedene v laboratorijskih pogojih v skladu z evropskim standardom EN 60436:2020.

Opozorilo za preizkusne laboratorije: za informacije o pogojih izvajanja primerjalnega preizkusa EN pišite na naslednji elektronski naslov:

[dw\\_test\\_support@europeanappliances.com](mailto:dw_test_support@europeanappliances.com)

Predhodna obdelava posode ni potrebna pri nobenem programu.

\*) Vrednosti, podane za druge programe, razen za program Eco, so samo okvirne. Dejanski čas je odvisen od številnih faktorjev, kot so temperatura in tlak dovodne vode, sobna temperatura, količina pomivalnega sredstva, količina in vrsta posode, uravnotežena porazdelitev posode, dodatne izbrane možnosti in umerjanje senzorja. Umerjanje senzorja lahko program podaljša do 20 min.

## OPISI PROGRAMOV

### Navodila za izbiro programov pomivanja.

#### 1 ECO

Program Eco je primeren za pomivanje običajno umazane posode, saj je za to uporabo najučinkovitejši program z vidika kombinirane porabe energije in vode, poleg tega pa izpolnjuje skladnost z zakonodajo EU o okoljsko primerni zasnovi.

#### 2 INTENZIVNO

Program priporočamo za pomivanje zelo umazane posode. Še posebej primeren je za lonce in ponve (ne uporabljajte ga za občutljivo posodo).

#### 3 MEŠANO

Mešana umazanija. Za običajno umazano posodo z zasušenimi ostanki hrane.

#### 4 HITRI PROGRAM 40'

Program, ki se uporablja za polovično napolnjen pomivalni stroj in je namenjen pomivanju rahlo umazane posode brez posušenih ostankov hrane. Brez faze sušenja

#### 5 POLOVIČNO POLNJENJE

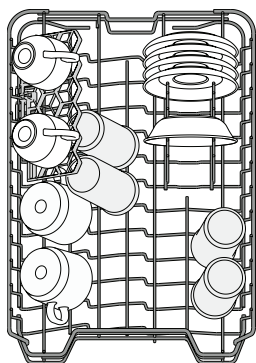
Kot nalašč za pomivanje polovičnega polnjenja rahlo do običajno umazane posode.

#### Opombe:

Upoštevajte, da je cikel *Hitri program 40'* namenjen pomivanju rahlo umazane posode.

# NALAGANJE KOŠAR

## ZGORNJA KOŠARA



Vanjo naložite občutljivo in lahko posodo: kozarce, skodelice, krožnike in nizke sklede za solato.

(primer nalaganja posode v zgornjo košaro)

## NASTAVITEV VIŠINE ZGORNJE KOŠARE

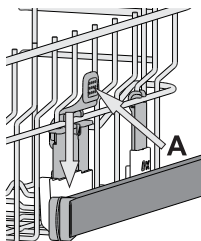
Višino zgornje košare je mogoče nastaviti: zgornji položaj omogoča zlaganje večje posode v spodnjo košaro, s spodnjim položajem pa lahko boljše izkoristite postavljiva držala. S pomikom košare ustvarite več prostora in preprečite trk s posodo, ki je naložena v spodnjo košaro.

Zgornja košara je opremljena z regulatorjem višine (glejte sliko). Brez pritiska na ročice jo dvignite tako, da jo preprosto držite na obeh straneh in jo dvigate, dokler ni stabilno nameščena v zgornjem položaju.

Da košaro znižate v spodnji položaj pritisnite na ročici **A** na straneh košare in jo pomaknite navzdol.

**Močno odsvetujemo nastavljanje višine košare, ko je ta polna.**

**Košare NIKDAR ne dvigajte ali spuščajte samo na eni strani.**



## ZLOŽLJIVA POLIČKA Z NASTAVLJIVIM POLOŽAJEM

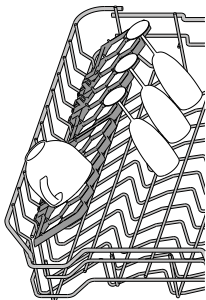
Stranske zložljive poličke je mogoče sklopiti ali razklopiti, da lahko tako posodo kar najboljše razporedite po zgornji košari.

Kozarce za vino lahko z zložljivo poličko zavarujete tako, da njihove peclje vstavite v ustrezne zareze.

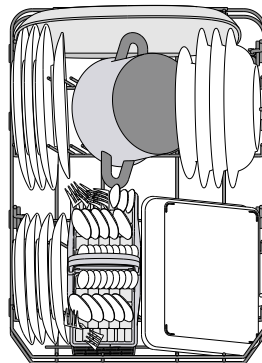
Glede na model pomivalnega stroja:

- če želite razklopiti poličko, jo povlecite navzgor in jo obrnite ali sprostite iz zapahov ter jo povlecite navzdol.

- če želite sklopiti poličko, jo obrnite, povlecite navzdol ali jo povlecite navzgor in namestite v zapaha.



## SPODNJA KOŠARA

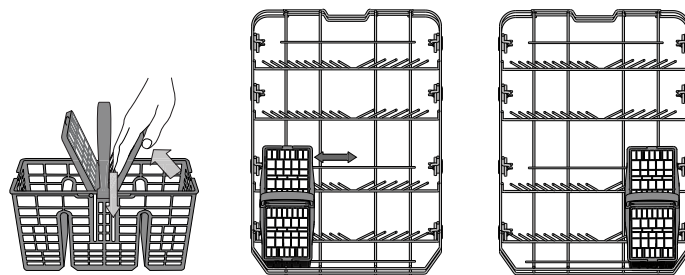


Za lonce, pokrovke, krožnike, solatne sklede, pribor itd. Najboljše je, da večje krožnike in pokrovke naložite na strani, da tako ne ovirajo pršilne roke.

(primer zlaganja posode v spodnjo košaro)

## KOŠARICA ZA PRIBOR

Na zgornji strani košarice je mreža, ki omogoča še boljše razporeditev pribora. Košarico lahko vstavite le v sprednji del spodnje košare.



Nože in druge ostre pripomočke v košarico za pribor vstavite s konicami navzdol. Prav tako jih lahko v vodoravnem položaju naložite v območje s postavljivimi držali zgornje košare

# VSAKODNEVNA UPORABA

## 1. PREVERJANJE PRIKLOPA VODE

Preverite, ali je pomivalni stroj priključen na dovod vode in ali je vodovodna pipa odprta.

## 2. VKLOP POMIVALNEGA STROJA

Odprite vrata in pritisnite tipko za **VKLOP/IZKLOP**.

## 3. NALAGANJE POSODE V KOŠARE

(glej **NALAGANJE KOŠAR**)

## 4. POLNENJE PREKATA ZA POMIVALNO SREDSTVO

## 5. IZBIRA PROGRAMA IN NASTAVITEV MOŽNOSTI

Izberite najprimernejši program glede na vrsto posode in stopnjo umazanosti (glejte **OPIS PROGRAMOV**) tako, da pritisnete tipko P. Izberite zeleno možnost (glejte **MOŽNOSTI IN FUNKCIJE**).

## 6. ZAGON

Pomivanje zaženite tako, da pritisnete na tipko za **ZAGON/PREMOR**, (LED-lučka zasveti) in v 4 sekundah zaprete vrata. Ob začetku programa se oglasi zvočni signal. Če v 4 sekundah ne zaprete vrat, se oglasi zvočno opozorilo. V tem primeru odprite vrata, pritisnite tipko za **ZAGON/PREMOR**, nato pa vrata v 4 sekundah znova zaprite.

## 7. KONEC POMIVANJA

Ob koncu programa pomivanja se oglasi zvočni signal in na prikazovalniku začne utripati številka programa pomivanja. Odprite vrata in s pritiskom na tipko za **VKLOP/IZKLOP** izklopite aparat. Preden izzamete posodo počakajte nekaj minut, da se ne opečete. Izpraznite košare, pri čemer začnite s spodnjo.

**Aparat se med daljšimi obdobji neaktivnosti samodejno izklopi, da tako varčuje z energijo. Če je posoda le rahlo umazana ali če ste jo pred vstavljanjem v aparat sprali z vodo, ustrezno zmanjšajte količino uporabljenega pomivalnega sredstva.**

## SPREMINJANJE PROGRAMA V TEKU

Če ste izbrali napačen program, ga lahko spremenite pod pogojem, da se je program pravkar zagnal: odprite vrata, držite tipko za **VKLOP/IZKLOP** in tako izklopite aparat.

Aparat ponovno vklopite s tipko za **VKLOP/IZKLOP** in izberite nov program pomivanja ter zelene možnosti; pomivalni cikel zaženite tako, da pritisnete tipko za **ZAGON/PREMOR** in v 4 sekundah zaprete vrata.

## DODAJANJE POSODE

Brez izklopa aparata odprite vrata (LED-dioda za **ZAGON/PREMOR** začne utripati) (**pazite na VROČO PARO!**) in vstavite posodo v pomivalni stroj. Pritisnite tipko za **ZAGON/PREMOR** in v 4 sekundah zaprite vrata. Program se nadaljuje od točke prekinitve.

## NENAMERNE PREKINITVE

Če med pomivanjem odprete vrata ali če pride do izpada električne energije, se program zaustavi. Če želite, da se program nadaljuje od točke prekinitve, pritisnite tipko za **ZAGON/PREMOR** in v 4 sekundah zaprite vrata.

# NASVETI IN NAMIGI

## NASVETI

Preden posodo naložite v košare, iz nje odstranite vse ostanke hrane, kozarce pa izpraznite. **Posode vam pred pomivanjem ni treba izprati pod tekočo vodo.**

Posodo naložite tako, da je trdno nameščena in se ne prevrne; posode naložite z odprtim delom navzdol, konkavne/konveksne kose pa poševno, da tako omogočite prost pretok vode za pomivanje vseh površin.

**Pozor:** pokrovi, ročaj, pladnji in ponve ne smejo ovirati vrtenja pršilnih rok.

V košarico za pribor lahko naložite katere koli manjše kose. Zelo umazane lonce in ponve položite v spodnjo košaro, saj so curki vode v tem delu močnejši, kar izboljša rezultat pomivanja. Ko v aparat zložite posodo, se prepričajte, da se pršilne roke neovirano vrtijo.

## NEUSTREZNA POSODA

- Lesena posoda in pribor.
  - Občutljivi okrašeni kozarci, umetniška ročna dela in starinski pribor. Okras na teh predmetih ni dovolj obstojen.
  - Predmeti iz sintetičnih materialov, ki niso odporni na visoke temperature.
  - Bakrena in pločevinasta posoda.
  - Posoda, umazana od pepela, voska, maziv ali črnila.
- Barva steklenih okraskov in aluminijastih/srebrnih predmetov se lahko med pomivanjem spremeni in zbledi. Nekatere vrste stekla (npr. predmeti iz kristala) lahko po nekaj pomivanjih postanejo motne.

## POŠKODBE KOZARCEV IN POSODE

- Pomivajte le kozarce in porcelan, za katere proizvajalec jamči, da jih lahko pomivate v pomivalnem stroju.
- Uporabite blago pomivalno sredstvo, ki je primerno za posodo.
- Kozarce in posodo iz pomivalnega stroja vzemite takoj po koncu programa.

## NAMIGI ZA VARČEVANJE Z ENERGIJO

- Kadar gospodinjski pomivalni stroj uporabljate v skladu z navodili proizvajalca, **pomivanje posode v pomivalnem stroju običajno porabi manj ENERGIJE in vode kot ročno pomivanje posode.**
- Za povečanje učinkovitosti pomivalnega stroja priporočamo, **da pomivalni cikel zaženete, ko je pomivalni stroj popolnoma napolnjen.** Nalaganje gospodinjskega pomivalnega stroja do zmogljivosti, ki jo je navedel proizvajalec, pripomore k prihranku energije in vode. Informacije o pravilnem nalaganju posode najdete v poglavju **NALAGANJE KOŠAR**. V primeru polovičnega polnjenja priporočamo, da uporabite ustrezne možnosti pomivanja, če so na voljo (polovično polnjenje/Zone Wash/ Multizone), in naložite le izbrane košare. Nepravilno polnjenje ali preobremenitev pomivalnega stroja lahko poveča porabo virov (kot so voda, energija in čas, kot tudi raven hrupa), kar zmanjša učinkovitost pomivanja in sušenja.
- Ročno predpomivanje posode pomeni večjo porabo vode in energije in se zato ne priporoča.

## HIGIENA

Da preprečite nastanek neprijetnih vonjav ali nabiranje oblog v pomivalnem stroju, **vsaj enkrat na mesec zaženite program z visoko temperaturo.** Uporabite eno žličko pomivalnega sredstva in program zaženite brez posode, da tako očistite pomivalni stroj.

## ODPORNOST PROTI ZMRZALI

Če se stroj nahaja v okolju, kjer obstaja nevarnost zmrzali, **ga morate popolnoma izprazniti.** Zaprite vodovodno pipo, odstranite dovodno in odvodno cev ter pustite, da izteče vsa voda. **Prepričajte se, da je posoda s soljo do vrha zapolnjena z raztopljen regeneracijsko soljo,** ki bo aparat ščitila pri temperaturah do  $-20^{\circ}\text{C}$ .

Če ste aparat hranili v okolju, kjer je mogoča zmrzal, mora aparat pred prvo uporabo **vsaj 24 ur** stati v prostoru s temperaturo nad  $5^{\circ}\text{C}$ .

# SERVIS IN VZDRŽEVANJE

## ČIŠČENJE FILTRIRNEGA SKLOPA

Filtrirni sklop redno čistite, da se filtri ne zamašijo in da odpadna voda pravilno odteka.

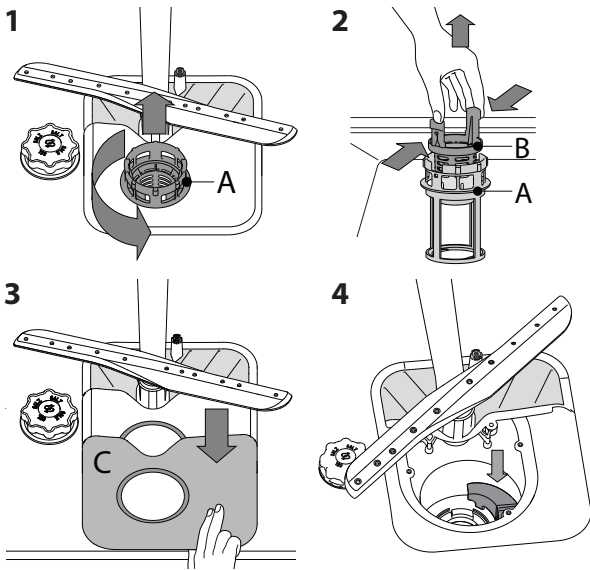
Uporaba pomivalnega stroja z zamašenimi filtri ali tujki znotraj filtracijskega sistema ali pršilnih rok lahko povzroči okvaro aparata, kar se kaže v izgubi učinkovitosti, hrupnem delovanju ali višjo porabo virov.

Filtrirni sklop je sestavljen iz treh filtrov, ki iz pomivalne vode odstranjujejo ostanke hrane in vodo ponovno usmerijo v aparat: za doseg najboljših rezultatov pri pomivanju morajo biti filtri čisti.

**Pomivalnega stroja ni dovoljeno uporabljati brez filtrov ali z nepritrjenimi filtri.**

Vsaj enkrat na mesec ali po vsakih 30 ciklih preverite sklop filtra in ga po potrebi temeljito očistite pod tekočo vodo in z nekovinsko krtačo, pri čemer upoštevajte spodnja navodila:

1. Cilindrični filter **A** zavrtite v nasprotni smeri urnega kazalca in ga izvlecite (Slika 1).
2. Odstranite mrežico filtra **B** tako, da nekoliko stisnete stranska jezička (Slika 2).
3. Izvlecite ploščo iz nerjavnega jekla za filter **C** (Slika 3).
4. V primeru, da najdete tujke (kot so razbito steklo, porcelan, kosti, sadna semena itd.), **jih previdno odstranite**.
5. Preglejte mrežico in iz nje odstranite ostanke hrane. **NIKOLI NE ODSTRANITE** zaščitne črpalke pri pomivanju (na sliki je počrtnjena) (Slika 4).



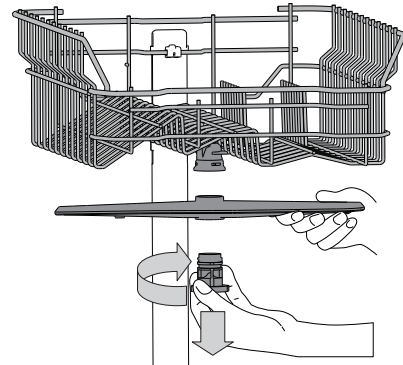
Ko ste očistili filtre, filtrirni sklop znova sestavite in ga pritrдите v pravi položaj. Ta postopek je ključnega pomena pri vzdrževanju brezhibnega delovanja pomivalnega stroja.

## ČIŠČENJE DOVODNE CEVI ZA VODO

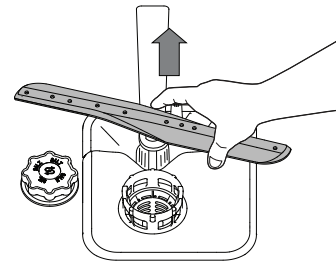
Če so vodovodne cevi nove ali pa jih dalj časa niste uporabljali, naj pred priključitvijo voda najprej nekaj časa teče. Tako se boste lahko prepričali, da je čista in da v njej ni nečistoč. Če tega ne storite, se lahko dovod vode zamaši, kar pripelje do poškodb pomivalnega stroja.

## ČIŠČENJE PRŠILNIH ROK

Občasno se lahko na pršilnih rokah naberejo ostanke hrane in zamašijo luknjice, iz katerih brizga voda. Zato priporočamo, da roke od časa do časa preverite in jih očistite z majhno nekovinsko krtačko.



Da odstranite zgornjo pršilno roko, zavrtite plastični pritrdilni obroč v smeri urnega kazalca. Zgornjo pršilno roko znova namestite tako, da je stran z več luknjicami obrnjena navzgor.



Spodnjo pršilno roko odstranite tako, da jo potegnete navzgor.

## SISTEM ZA MEHČANJE VODE

Sistem za mehčanje vode samodejno zmanjša trdoto vode, kar preprečuje kopičenje oblog na grelniku in prispeva k večji učinkovitosti pomivanja.

**Ta sistem se obnovi z regeneracijsko soljo, zato morate poskrbeti, da je posoda za sol napolnjena.**

Pogostost regeneracije je odvisna od nastavitve stopnje trdote vode – regeneracija poteka enkrat na 5 Eko ciklov, pri čemer je stopnja trdote vode nastavljena na 3.

Postopek regeneracije se začne s končnim izpiranjem in konča s fazo sušenja, preden se cikel konča.

- Posamezna regeneracija porabi: ~3,5 l vode;
- Cikel traja do 5 minut dlje;
- Porabi manj kot 0,005 kWh električne energije.

# ODPRAVLJANJE TEŽAV

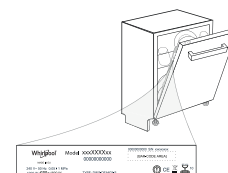
V primeru, da vaš pomivalni stroj ne deluje pravilno, preverite, ali lahko težavo odpravite s spodnjimi nasveti. Za druge napake ali težave se obrnite na pooblaščen servisno službo. Kontaktné podatke najdete v garancijski knjižici. Nadomestni deli bodo na voljo za obdobje do 7 ali do 10 let, v skladu s posebnimi zahtevami uredbe.

TEŽAVE	MOREBITNI VZROKI	REŠITVE
Pomivalni stroj se ne zažene oz. se ne odziva na ukaze.	Aparat ni ustrezno priključen na električno omrežje.	Vtaknite vtič v vtičnico.
	Izpad električne energije	Iz varnostnih razlogov se pomivalni stroj ne bo samodejno ponovno zagnal, ko je napajanje znova vzpostavljeno. Odprite vrata pomivalnega stroja, pritisnite tipko ZAGON/Premor in v 4 sekundah zaprite vrata.
	Vrata pomivalnega stroja niso zaprta.	Na vrata močneje pritisnite, da zaslišite „klik“.
	Cikel se prekine, če so vrata odprta za več kot 4 sekunde.	Pritisnite ZAGON/Premor in zaprite vrata v 4 sekundah.
Aparat se ne odziva na ukaze.	Aparat se ne odziva na ukaze.	Izklopite aparat s pritiskom na tipko za <b>VKLOP/IZKLOP</b> , ga po približno eni minuti znova vklopite in znova zaženite program. Če težava ni odpravljena, aparat izklopite za 1 minuto in ga znova priključite.
Voda ne odteka iz pomivalnega stroja.	Pomivanje se še ni zaključilo.	Počakajte, da se pomivanje zaključi.
	Odtočna cev je upognjena.	Preverite, da odtočna cev ni upognjena (glejte NAVODILA ZA NASTAVITEV).
	Odtočna cev v koritu je zamašena.	Očistite odtočno cev v koritu.
	Ostanki hrane so zamašili filter.	Očistite filter (glejte ČIŠČENJE FILTRIRNEGA SKLOPA).
Iz pomivalnega stroja se slišijo glasni zvoki.	Posode se dotikajo ena druge in povzročajo zvoke.	Pravilno naložite posodo (glejte NALAGANJE KOŠAR).
	Nastaja prekomerna količina pene.	Pomivalnega sredstva niste pravilno odmerili ali pa pomivalno sredstvo ni primerno za strojno pomivanje posode (glejte POLNJENJE PREKATA ZA POMIVALNO SREDSTVO). Znova zaženite trenutni program, tako da izklopite pomivalni stroj, ga spet vklopite, izberete nov program, pritisnete tipko Zagon/Premor (zagon/premor) in zaprete vrata v roku 4 sekund. Ne dodajajte pomivalnega sredstva.
Posoda ni čista.	Posode niste pravilno razporedili.	Pravilno naložite posodo (glejte NALAGANJE KOŠAR).
	Pršilne roke se ne morejo prosto vrteti, saj jih ovira posoda.	Pravilno naložite posodo (glejte NALAGANJE KOŠAR).
	Program pomivanja ni dovolj močan.	Izberite primeren program pomivanja (glejte PROGRAMSKO TABELO).
	Nastaja prekomerna količina pene.	Pomivalnega sredstva niste pravilno odmerili ali pa pomivalno sredstvo ni primerno za strojno pomivanje posode (glejte POLNJENJE PREKATA ZA POMIVALNO SREDSTVO).
	Pokrovček posode za tekočino za lesk ni ustrezno zaprt.	Zaprite pokrovček posode za tekočino za lesk.
	Umazan ali zamašen filter	Očistite filtrirni sklop (glejte NEGA IN VZDRŽEVANJE).
V aparatu ni soli.	Napolnite posodo s soljo (glejte POLNJENJE POSODE ZA SOL).	
V pomivalni stroj ne doteka voda.	Prazen dovod vode ali zaprta vodovodna pipa.	Prepričajte se, da v aparat doteka voda in da je vodovodna pipa odprta.
Vse LED-lučki hitro utripata	Dovodna cev je upognjena.	Prepričajte se, da dovodna cev ni upognjena (glejte NAMESTITEV) ponastavite program pomivanja in stroj znova zaženite.
	Cedilo dovodne cevi za vodo je zamašeno; Očistite ga	Ko ste preverili in očistili cedilo, pomivalni stroj izklopite in vklopite ter zaženite nov program.
Pomivalni stroj predčasno zaključí cikel.	Odtočna cev je postavljena prenizko ali odlivane v domači kanalizacijski sistem.	Preverite, če je konec odtočne cevi nameščen na ustrezni višini (glejte NAMESTITEV). Preverite odlivanje v domači kanalizacijski sistem in po potrebi namestite ventil za vstop zraka.
	Zrak v dovodu vode	Preverite dovod vode ali druge težave, ki povzročajo puščanje zraka v notranjost.
Puščanje detergenta.	Je odvisno od uporabljenega tekočega detergenta in je lahko opaznejše v primeru vklopa možnosti zakasnitve.	Manjša puščanja ne bodo povzročila okvare stroja, izognete pa se jim lahko z zamenjavo vrste tekočega detergenta ali uporabo tablet.

## Pravila uporabe, standardna dokumentacija, naročanje nadomestnih delov in dodatne informacije o izdelkih so na voljo:

- Uporabite kodo QR na svojem izdelku.
- Z obiskom naših spletnih strani [docs.hotpoint.eu](https://docs.hotpoint.eu) in [parts-selfservice.europeanappliances.com](https://parts-selfservice.europeanappliances.com)
- **Obrnete se lahko tudi na našo servisno službo** (telefonske številke so navedene v servisni knjižici). Ko stopite v stik z našo servisno službo, navedite kode, ki so zapisane na identifikacijski ploščici izdelka.

Podatke o modelu je mogoče pridobiti s kodo QR na energijski nalepki. Na nalepki je prav tako identifikator modela, ki ga lahko uporabite za preverjanje podatkov na portalu za registracijo <https://eprel.ec.europa.eu>.

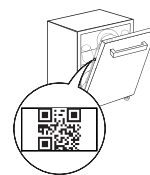


# UDHËZUESI PËR PËRDORIMIN E PËRDITSHËM



**FALEMINDERIT QË KENI BLERË PRODUKTIN HOTPOINT ARISTON.**  
Për të marrë mbështetjen më të plotë, ju lutemi të regjistroheni në:  
[www.hotpoint.eu/register](http://www.hotpoint.eu/register)

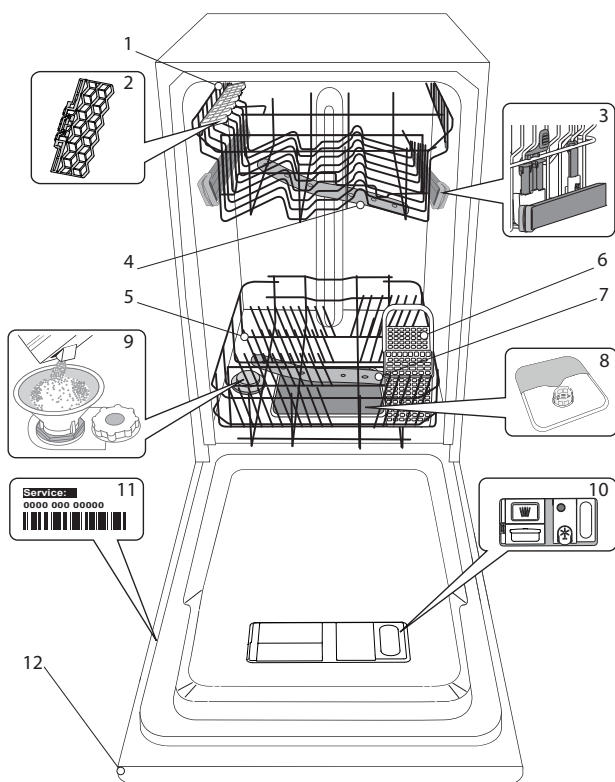
**JU LUTEMI TË  
SKANONI KODIN QR NË  
PRODUKTIN TUAJ PËR TË  
MARRË INFORMACIONET  
MË TË DETAJUARA**



**Para se të përdorni këtë pajisje lexoni Udhëzimin për shëndetin dhe sigurinë.**  
Pas instalimit, mos harroni të hiqni gjithë pjesët mbrojtëse të transportit nga enëlarësja.

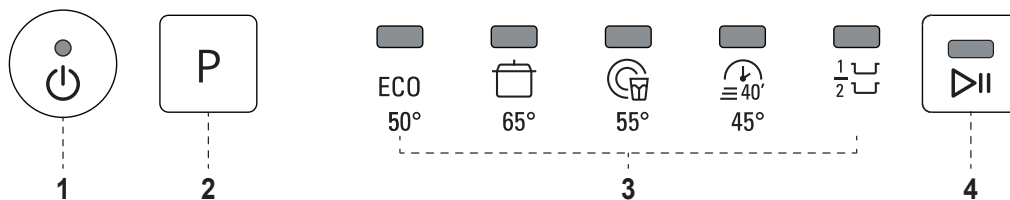
## PËRSHKRIMI I PRODUKTIT

### PAJISJA



1. Rafti i sipërm
2. Krahët e palosshëm
3. Rregullimi i lartësisë së raftit të sipërm
4. Spërkatësja e sipërme
5. Rafti i poshtëm
6. Shporta me takëmin për ngrënie
7. Spërkatësja e poshtme
8. Sistemi i filtrave
9. Kutia e kripës
10. Detergjenti dhe kutia e mjetit për shpëlarje
11. Pllakëza identifikuese
12. Paneli i kontrollit

### PANELI I KONTROLLIT



1. ON-OFF / Butoni i rivendosjes me dritën treguese
2. Butoni për zgjedhjen e programit me dritën treguese
3. Treguesi i programit po ndriçon
4. Butoni Fillim/Pushim me dritën treguese

# Hotpoint

ARISTON

# PËRDORIMI I PARË I PAJISJES KRIPË, MJET PËR SHPËLARJE DHE DETERGJENT

## REKOMANDIMET NË LIDHJE ME PËRDORIMIN E PARË

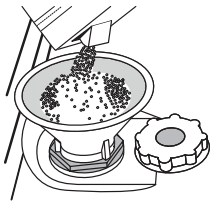
Pas instalimit, hiqni kapakët nga raftet dhe elementet shtrënguese elastike nga rafti i sipërm.

## MBUSHJA E KUTISË SË KRIPËS

Përdorimi i kripës parandalon formimin e GËLQERES në enët dhe komponentët funksionalë të makinës.

- **KUTIA E KRIPËS NUK DUHET** të jetë **I BZRAZËT KURRË**.
- Është e rëndësishme të rregulloni fortësinë e ujit.

Kutia e kripës gjendet në pjesën e poshtme të enëlarësës (shihni PËRSHKRIMIN E PRODUKTIT) dhe duhet të mbushet kur nuk mund të shihet më pluskuesi jeshil në kapakun e kutisë së kripës.



1. Hiqni raftin e poshtëm dhe zhvendosni kapakun e kutisë (në drejtim të kundërt të akrepave të sahatit).
2. **Kur e bëni këtë vetëm për herë të parë mbushni me ujë kutinë e kripës.**
3. Vendosni hinkën (shihni imazhin) dhe mbushni kutinë e kripës deri në buzën e tij (përafërsisht 1 kg); nuk është e pazakonshme nëse rrjedh pak ujë.
4. Hiqni hinkën dhe fshini të gjitha pjesët e mbetura të kripës.

Sigurohuni se është vidhosur fort kapaku në mënyrë që detergjenti të mos hyjë brenda gjatë programit të larjes (kjo mund të dëmtojë përherë zbutësin e ujit).

**Sa herë që duhet të shtoni kripën, procedura duhet të mbarohet detyrimisht para fillimit të ciklit të larjes me qëllim që të shmanget gërryerja.**

## KONFIGURIMI I FORTËSISË SË UJIT

Në mënyrë që zbutësi i ujit të punojë pa gabim, është e domosdoshme që konfigurimi i fortësisë së ujit të bazohet mbi fortësinë reale të ujit në shtëpinë tuaj. Këto informacione mund t'i merrni nga furnizuesi juaj lokal i ujit.

Fabrika vendos vlerën fillestare të fortësisë së ujit.

- Ndizni pajisjen duke shtypur butonin **ON/OFF**.
- Fikni pajisjen duke shtypur butonin **ON/OFF**.
- Mbani të shtypur për 5 sekonda butonin **P**, derisa të dëgjoni një sinjal zanor.
- Ndizni pajisjen duke shtypur butonin **ON/OFF**.
- Llambushka e treguesit të programit në nivelin aktual të caktuar vezullon.
- Shtypni butonin **P** për të zgjedhur nivelin e dëshiruar të fortësisë (shihni TABELËN E FORTËSISË SË UJIT).

Tabela e fortësisë së ujit					
Niveli			°dH Shkalla gjermane	°fH Shkalla franceze	°Clark Shkalla angleze
1	ECO	E butë	0 - 6	0 - 10	0 - 7
2		E mesme	7 - 11	11 - 20	8 - 14
3		Mesatare	12 - 16	21 - 29	15 - 20
4		E fortë	17 - 34	30 - 60	21 - 42
5		Shumë e fortë	35 - 50	61 - 90	43 - 62

- Fikni pajisjen duke shtypur butonin **ON/OFF**.

Konfigurimi ka përfunduar!

Kur të përfundojë kjo procedurë, nisni menjëherë programin.

**Përdorni vetëm kripën që është krijuar veçanërisht për enëlarëset.**

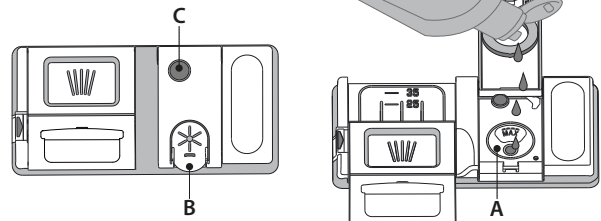
Pasi është vendosur kripa në enëlarësen, do të fiket drita treguese e RIMBUSHJES SË KRIPËS.

**Nëse nuk është mbushur kutia e kripës, zbutësi i ujit dhe elementi ngrohës mund të dëmtohen si pasojë e grumbullimit të gëlqeres.**

**Përdorimi i kripës rekomandohet me cilindo lloj të detergjentit për enëlarëset.**

## MBUSHJA E KUTISË SË MJETIT PËR SHPËLARJE

Mjeti për shpëlarje lehtëson THARJEN e enëve. Kutia e mjetit për shpëlarje **A** duhet të mbushet kur të bëhet i tejdukshëm treguesi i errët optik në derën e kutisë **C**.



1. Hapni kutinë **B** duke shtypur dhe tërhequr lart skedën në kapak.
  2. Dërdhni mjetin për shpëlarje (maks. 110 ml), duke kujdesur që të mos dalë jashtë shtratit të kutisë. Nëse ndodh kjo, fshini menjëherë këtë me një leckë të thatë.
  3. Për të mbyllur kapakun, shtypni atë poshtë derisa të dëgjoni një klik.
- Mos vendosni KURRË mjetin për shpëlarje drejtpërdrejt në pajisjen.**

## KONFIGURIMI I DOZËS SË MJETIT PËR SHPËLARJE

Nëse nuk jeni plotësisht të kënaqur me rezultatet e tharjes, mund të konfiguroni sasinë e mjetit për shpëlarje.

- Ndizni enëlarësen duke shtypur butonin **ON/OFF**.
- Fikni enëlarësen duke shtypur butonin **ON/OFF**.
- Shtypni tri herë butonin **P** - do të dëgjohet një sinjal zanor.
- Ndizni enëlarësen duke shtypur butonin **ON/OFF**.
- Llambushka e treguesit të programit në nivelin aktual të caktuar vezullon.
- Shtypni butonin **P** për të zgjedhur nivelin e sasisë së mjetit për shpëlarje.
- Fikeni atë duke shtypur butonin **ON/OFF**.

Konfigurimi ka përfunduar!

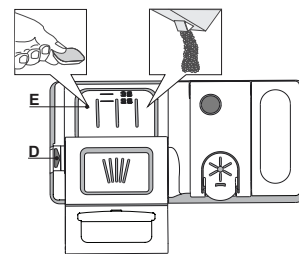
Nëse është konfiguruar në ZERO nivelin e mjetit për shpëlarje, nuk do të përdoret asnjë mjet për shpëlarje. Drita treguese RIMBUSHJA E MJETIT PËR SHPËLARJE nuk do të ndriçojë nëse ju mungon mjeti për shpëlarje. Varësisht nga modeli i enëlarësës mund të konfigurohen jo më shumë se 5 nivele. Konfigurimi fillestar është specifik për modelin, ju lutemi që të ndiqni udhëzimet e sipërme për ta kontrolluar këtë lidhur me enëlarësen tuaj.

- Nëse shihni vija blu në enët, konfiguroni numrin më të ulët (2-3).
- Nëse ka pika uji ose shenja gëlqereje në enët, konfiguroni numrin e mesëm (4-5).

## MBUSHJA E KUTISË SË DETERGJENTIT

**Për të hapur kutinë e detergjentit përdorni hapësen D.**

**Vendosni detergjentin vetëm në kutinë E. Vendosni sasinë e detergjentit për paralarje drejtpërdrejt në pajisjen.**




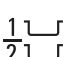


1. Kur matni sasinë e detergjentit merrni parasysh informacionet e përmendura më herët për të shtuar sasinë e përshtatshme. Brenda kutisë **E** gjenden informacionet që ndihmojnë në dozimin e detergjentit.
2. Hiqni pjesët e mbetura të detergjentit nga buzët e kutisë dhe mbyllni kapakun derisa të dëgjohet një klik.
3. Mbyllni kapakun e kutisë së detergjentit duke e tërhequr lart derisa të fiksohet mirë mbyllësja.

Kutia e detergjentit hapet automatikisht në kohën e duhur në përputhje me programin.

**Përdorimi i detergjentit i cili nuk është i destinuar për përdorim në enëlarëset mund të shkaktojë ose të dëmtojë pajisjen.**

# TABELA E PROGRAMEVE

Programi			Faza e tharjes	Kohëzgjatja e programit të larjes (o:min) <sup>*)</sup>	Konsumi i ujit (litra/cikël)	Konsumi i energjisë (kWh/cikël)
1. Eco	ECO	50°	✓	4:30	11.5	0.76
2. Intensiv		65°	✓	2:30	15.5	1.50
3. Përzierave		55°	✓	2:30	15.5	1.30
4. Shpejtë 40'		45°	-	0:40	8.5	0.90
5. Gjysma e Ngarkesës		55°	✓	1:20	11.5	0.90

Të dhënat e programit ECO maten nën kushte laboratorike në përputhje me Standardin Evropian EN 60436:2020.

Shënimi për laboratorët e testimit:

Për informacionet rreth kushteve të testimit krahasues EN, ju lutemi të dërgoni një e-mail në adresën e mëposhtme:

[dw\\_test\\_support@europeanappliances.com](mailto:dw_test_support@europeanappliances.com)

Para përdorimit të një programi nuk është i nevojshëm trajtimi paraprak i enëve.

\*) Vlerat e dhëna për programet përveç programit ECO janë vetëm me karakter tregues. Koha reale mund të variojë nga shumë faktorë siç janë temperatura dhe presioni i ujit, temperatura e dhomës, sasia e detergjentit, sasia dhe lloji i enëve, balancimi i ngarkesës, opsionet shtesë dhe kalibrimi i sensorit. Kalibrimi i sensorit mund të rrisë kohëzgjatjen e programit deri në 20 min.

## PËRSHKRIMI I PROGRAMEVE

### Udhëzimi për zgjedhjen e ciklit të larjes.

#### 1 ECO

Programi Eco është i përshtatshëm për larjen e enëve mesatarisht të pista, dhe për këtë qëllim ky është programi më efikas nga pikëpamja e konsumit të energjisë dhe ujit dhe duhet të përdoret për vlerësimin e përputhshmërisë me rregullat e BE-së për dizajnin ekologjik.

#### 2 INTENSIV

Ky program rekomandohet për enët shumë të pista, veçanërisht për tiganët dhe tenxheret (mos e përdorni për enët delikate).

#### 3 PËRZIERAVE

Papastërtia e përzier. Për enët mesatarisht të pista me pjesët e mbetura të thara të ushqimit.

#### 4 SHPEJTË 40'

Ky program përdoret për gjysmën e ngarkesës së enëve pak të pista pa pjesë të mbetura të thara të ushqimit. Nuk ka fazën e tharjes.

#### 5 GJYSMA E NGARKESËS

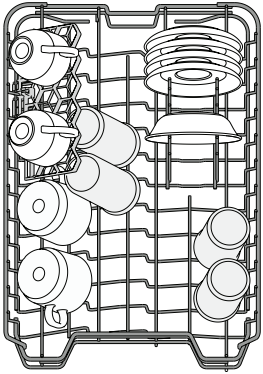
Ideale për të larë një gjysmë ngarkese enësh të ndotura lehtë ose normalisht.

#### Shënimet:

Kini parasysh se cikli *Shpejtë 40'* është i destinuar për enët pak të pista.

# NGARKIMI I RAFTEVE

## RAFTI I SIPËRM



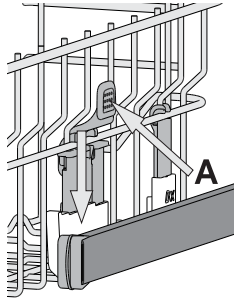
Vendosni enët delikate dhe të lehta: gotat, kupat, tabakatë, enët e cekëta për sallatë.

(shembulli i ngarkimit të raftit të sipërm)

## RREGULLIMI I LARTËSISË SË RAFTIT TË SIPËRM

Lartësia e raftit të sipërm mund të rregullohet: pozita e lartë për vendosjen e enëve të mëdha në shportat e poshtme dhe pozita e ulët për përdorimin maksimal të mbajtëseve lëvizës, duke krijuar më shumë hapësirë lart dhe duke shmangur përplasjen e enëve nga rafti i poshtëm.

Rafti i sipërm ka **Rregullimin e lartësisë** së raftit të sipërm (shihni imazhin), pa shtypur dorezat, ngrijeni atë duke mbajtur raftin nga një anë, sapo të vendoset rafti në mënyrë të qëndrueshme në pozitën më të lartë. Për ta kthyer në pozitën më të ulët, shtypni dorezat (A) të cilat gjenden në anët e raftit dhe lëvizni shportën poshtë.



**Ju rekomandojmë që të mos rregulloni lartësinë e raftit të mbushur.**

**KURRË mos ngrini o zbritni shportën vetëm në një anë.**

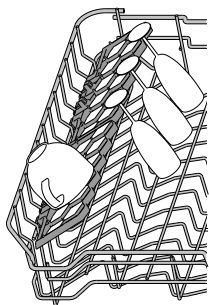
## KRAHËT E PALOSSHËM ME POZITËN E RREGULLUESHME

Krahët e palosshëm mund t'i palosni ose shpalosni dhe kështu mund optimizoni vendosjen e enëve brenda raftit. Gotat e verës mund të vendosen në mënyrë të sigurt në krahët e palosshëm duke futur çdo gotë në vrimën përkatëse.

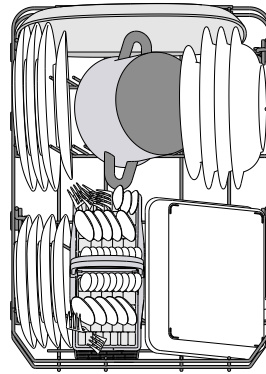
Kur rafti i sipërm është në lart, fletët nuk mund të qëndrojnë në pozicionin vertikal.

Varësisht nga modeli:

- për të shpalosur krahët, duhet t'i shtypni lart dhe t'i rrotulloni ose t'i ndani nga mbajtësit dhe t'i zbritni poshtë.
- për të palosur krahët, duhet t'i rrotulloni dhe t'i shtypni poshtë ose lart, dhe t'i varni për mbajtësit.



## RAFTI I POSHTËM

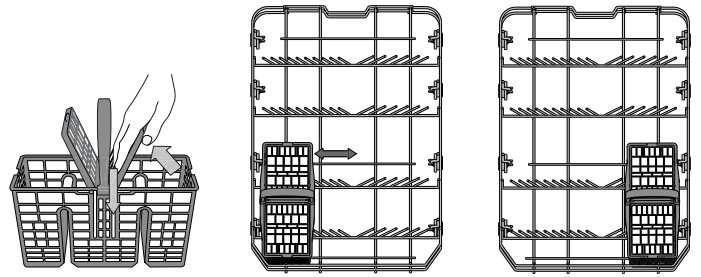


Për tenxheret, mbulesat, pjatat, enët për sallatë, pajisjet për ngrënie etj. Pjatat e mëdha dhe mbulesat duhet të vendosen në anë me qëllim që të shmangen pengesat me spërkatësit.

(shembulli i ngarkimit të raftit të poshtëm)

## SHPORTA ME TAKËMIN PËR NGRËNIE

Kjo shportë është pajisur me grilat e sipërme për vendosjen më të mirë të takëmit për ngrënie. Vendosni takëmin për ngrënie vetëm në pjesën e përparme të raftit të poshtëm.



**Thikat dhe pajisjet e tjera për ngrënie me majat e mprehta duhet të vendosen në shportën e takëmit për ngrënie me tehet e kthyer nga poshtë ose duhet të vendosen horizontalisht në ndarjet e raftit të sipërm.**

# PËRDORIMI I PËRDITSHËM

## 1. KONTROLLONI LIDHJEN ME RRJETIN E UJIT

Kontrolloni nëse është lidhur enëlarësja me ujësjellësin dhe nëse është hapur rubineti.

## 2. NDIZNI ENËLARËSEN

Hapni derën dhe shtypni butonin **ON/OFF**.

## 3. NGARKONI RAFTET

(shihni **NGARKIMIN I RAFTEVE**)

## 4. MBUSHJA E KUTISË SË DETERGJENTIT

## 5. ZGJIDHNI PROGRAMIN DHE KONFIGURONI CIKLIN

Zgjidhni programin më të përshtatshëm në përputhje me llojin e enëve dhe nivelin e papastërtisë (*shihni PËRSHKRIMIN E PROGRAMIT*) duke shtypur butonin **P**. Zgjidhni opsionin e dëshiruar (*shihni OPSIONET DHE FUNKSIONET*).

## 6. FILLIM

Nisni ciklin e larjes duke shtypur butonin **FILLIM/Pushim** (drita LED është ndezur) dhe mbyllni derën brenda 4 sekondave. Kur fillon programi, do të dëgjoni një sinjal zanor. Nëse nuk mbyllni derën brenda 4 sekondave do të dëgjohet alarmi. Në këtë rast, hapni derën, shtypni butonin **FILLIM/Pushim** dhe mbyllni derën përsëri brenda 4 sekondave.

## 7. PËRFUNDIMI I CIKLIT TË LARJES

Pas përfundimit të ciklit të larjes do të dëgjohet një sinjal zanor dhe do të pulsojë në ekran numri i ciklave të larjes. Hapni derën dhe fikni pajisjen duke shtypur butonin **ON/OFF**.

Pritni disa minuta para se të nxirrni enët me qëllim që të shmangni djegiet. Zbrazni raftet, duke filluar nga rafti i poshtëm.

**Enëlarësja do të fiket automatikisht gjatë periudhave të gjata të mospërdorimit me qëllim që të ulët konsumi i energjisë elektrike. Nëse enët janë vetëm pak të pista ose janë shpëlarë me ujë para se t'i vendosni në enëlarësen, ulni sasinë e detergjentit të përdorur.**

## NDRYSHIMI I PROGRAMIT AKTUAL

Nëse keni zgjedhur një program të gabuar, mund ta ndryshoni, me kusht që sapo ka filluar: hapni derën, shtypni dhe mbani të shtypur butonin **ON/OFF**, enëlarësja do të fiket. Ndizni përsëri enëlarësen duke shtypur butonin **ON/OFF** dhe zgjidhni ciklin e ri të larjes dhe opsionet e tjera të dëshiruara; Nisni ciklin e ri duke shtypur butonin **FILLIM/Pushim** dhe duke mbyllur derën brenda 4 sekondave.

## SHTIMI I ENËVE SHITESË

Pa fikur enëlarësen, hapni derën (drita LED **FILLIMI/Pushim** fillon të pulsojë) (**kini kujdes nga avulli I NXEHTË!**) dhe vendosni enët në enëlarësen. Shtypni butonin **FILLIM/Pushim** dhe mbyllni derën brenda 4 sekondave, cikli do të vazhdojë nga momenti i ndërprerjes.

## NDËRPRERJET E RASTËSISHTME

Nëse dera mbetet e hapur gjatë ciklit të larjes ose nëse ndodh një ndërprerje e energjisë elektrike, cikli do të ndalet. Shtypni butonin **FILLIM/Pushim** dhe mbyllni derën brenda 4 sekondave, cikli do të vazhdojë nga momenti i ndërprerjes.

# KËSHILLAT DHE REKOMANDIMET

## REKOMANDIMET

Para se të ngarkoni shportat, hiqni të gjitha pjesët e mbetura të ushqimit nga enët dhe zbrazni gotat. Nuk ka nevojë që ta shpëlani paraprakisht me ujë të rrjedhshëm.

Vendosni enët në mënyrë që të qëndrojnë fort në vend dhe që të mos rrëshqasin; vendosni enët me vrimat e kthyer nga poshtë, vendosni pjerrtas pjesët e thelluara/dala, në mënyrë që uji të arrijë të gjitha sipërfaqet dhe të rrjedhë lirisht.

**Paralajmërimi:** mbulesat, dorezat, tabakatë dhe tiganët nuk parandalojnë rrotullimin e spërkatësve.

Vendosni të gjitha enët e vogla në shportën e takëmit për ngrënie.

Enët shumë të pista dhe tenxheret duhet t'i vendosni në shportën e poshtme sepse spërkatësit janë më të fortë në këtë pjesë dhe ofrojnë performanca më të mira të larjes.

**Pasi keni ngarkuar pajisjen, kini kujdes që spërkatësit të rrotullohen lirisht.**

## ENËT E PAPËRSHTATSHME

- Enët dhe takëmi për ngrënie prej druri.
  - Gotat dekorative delikate, zejtaritë artistike dhe enët antike. Dekorimi i tyre nuk është rezistent.
  - Pjesët prej materiali sintetik nuk durojnë temperatura të larta.
  - Enët prej bakri dhe kallaji.
  - Enët e pista nga pluhuri, dylli, yndyra për lyerje ose boja e shkrimit.
- Ngjyrat e dekorimeve qelqore dhe pjesëve prej alumini/argjendi mund të ndryshohen dhe të zbehën gjatë procesit të larjes. Disa lloje të qelqit (psh. sendet prej kristali) mund të turbullohen pas një numri të caktuar të ciklave të larjes.

## DËMTIMI I GOTAVE DHE ENËVE

- Përdorni vetëm gotat dhe enët prej porcelani për të cilat prodhuesi garanton se mund të lahen në enëlarësen.
- Përdorni një detergjent të butë për enët.
- Sapo të përfundohet cikli i larjes mblidhni gotat dhe enët nga enëlarësja.

## KËSHILLAT PËR KURSIMIN E ENERGJISË

- Kur enëlarësja përdoret në përputhje me udhëzimet e prodhuesit, **larja e enëve në enëlarësen zakonisht konsumon më pak energji dhe ujë sesa larja me dorë.**
  - Për të rritur efikasitetin e enëlarëses, ju rekomandojmë që të **nisni ciklin e larjes kur të ngarkohet plotësisht enëlarësja.** Ngarkimi i enëlarëses deri në kapacitetin e caktuar nga prodhuesi do të kontribuojë në kursimin e energjisë dhe ujit. Informacionet rreth ngarkimit të rregullt të enëve mund t'i gjeni në kapitullin **NGARKIMI I RAFTEVE**.
- Në rast të ngarkimit të pjesshëm, rekomandohet përdorimi i opsionit të përshtatshëm të larjes, nëse ekzistojnë (Half load/Zone Wash/Multizone), duke ngarkuar vetëm raftet e zgjedhura. Ngarkimi i parregullt ose mbingarkimi i enëlarëses mund të rrisë konsumin e resurseve (siç janë ujë, energji elektrike dhe kohë, si edhe nivelin e zhurmës), duke ulur performancat e pastrimit dhe tharjes.
- Shpëlarja paraprake me dorë e enëve shkakton konsumin e shtuar të ujit dhe energjisë elektrike dhe nuk rekomandohet.

## HIGJIENA

Për të shmangur krijimin e aromave të pakëndshme dhe depozitave në enëlarësen, **ndizni të paktën një herë në muaj programin me temperaturën e lartë.** Përdorni një lugë çaji të detergjentit dhe ndizni programin pa vendosur enët për të pastruar pajisjen.

## REZISTENCA NDAJ NGRIRJES

Nëse pajisja vendoset në vende të ekspozuara ndaj rrezikut të ngrirjes, ajo **duhet shkarkuar plotësisht.** Mbyllni rubinetin e ujit, hiqni tubat e hyrjes së ujit dhe të shkarkimit dhe derdhni gjithë ujin. **Sigurohuni që zbutësi i ujit të jetë plot me kripë rigjeneruese të tretur në depozitën e kripës,** për ta mbrojtur pajisjen nga temperaturat deri në  $-20^{\circ}\text{C}$ .

Nëse pajisja është ruajtur në kushte ngrirjeje, ajo duhet të qëndrojë në temperaturë ambiente prej të paktën  $5^{\circ}\text{C}$  për të **paktën 24 orë** përpara përdorimit për herë të parë.

# KUJDESI DHE MIRËBAJTJA

## PASTRIMI I SISTEMIT TË FILTRAVE

Pastroni rregullisht filtrat që të mos bllokohen dhe që ujërat e zeza të shkarkohen në mënyrë të rregullt.

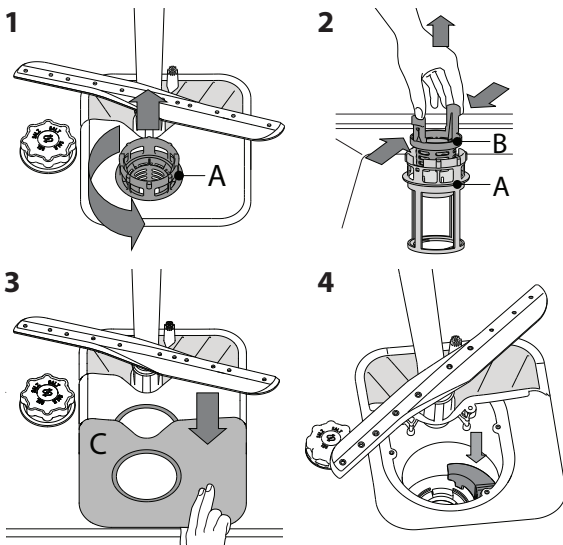
Përdorimi i enëlarësës me filtrat e bllokuar ose sendet e huaja brenda sistemit të filtrimit ose spërkatësve mund të shkaktojë prishjen e pajisjes dhe të rezultojë me humbjen e performancave, punën e zhurmshme ose konsumin më të lartë të resurseve.

Sistemi i filtrave përbëhet prej tre filtrash të cilët heqin pjesët e mbetura të ushqimit nga uji për larje dhe mundësojnë riqarkullimin e ujit.

**Enëlarësja nuk duhet të përdoret pa filtra ose në raste kur filtri është i lirshëm.**

Kontrolloni sistemin e filtrave të paktën një herë në muaj ose pas çdo 30 ciklave, dhe nëse ka nevojë pastrojeni atë hollësisht me ujë, duke përdorur furçën jometalike dhe duke ndjekur udhëzimet e mëposhtme:

1. Rrotulloni filtrin cilindrik **A** në drejtim të kundërt të akrepave të sahatit dhe nxirreni jashtë atë (imazhi 1).
2. Hiqni filtrin konik **B** duke shtypur lehtë krahët anësorë (imazhi 2).
3. Nxirrni filtrin e sheshtë prej çeliku të pandryshkshëm **C** (imazhi 3).
4. Nëse gjeni ndonjë send të huaj (siç janë qelq i thyer, porcelan, kocka, fara frutash etj.) **hiqni ata me kujdes**.
5. Kontrolloni filtrat dhe hiqni të gjitha pjesët e mbetura të ushqimit. **KURRË MOS HIQNI** mbrojtjen e pompës për ciklin e larjes (pjesa e zezë) (imazhi 4).



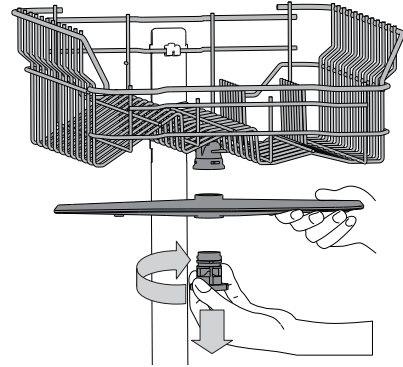
Pas pastrimit të filtrit, rivendosni filtrat dhe shtrëngojeni në mënyrë të rregullt; kjo është e nevojshme për punën efikase të enëlarësës.

## PASTRIMI I ZORRËS SË FURNIZIMIT ME UJË

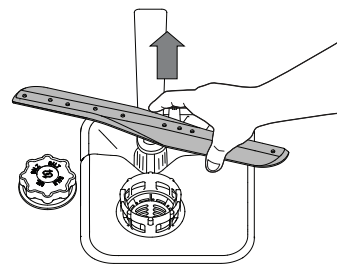
Nëse zorrët e ujit janë të reja ose nuk janë përdorur për një periudhë të gjatë, lini që uji të kalojë nëpër to me qëllim që të siguroheni se janë të pastra dhe të pastrohen nga papastërtitë para se të lidhen. Nëse nuk bëni këtë masë paraprake, furnizimi me ujë mund të bllokohet dhe të dëmtojë enëlarësen.

## PASTRIMI I SPËRKATËSVE

Kohë pas kohe, pjesët e mbetura të ushqimit mund të thahen në spërkatësit dhe në këtë mënyrë bllokohen vrimat që përdoren për spërkatjen e ujit. Prandaj ju rekomandojmë që të kontrolloni periodikisht spërkatësit dhe t'i pastroni me një furçë të vogël jometalike.



Për të hequr spërkatësin e sipërm, rrotulloni unazën plastike bllokuese në drejtim të kundërt të akrepave të sahatit. Spërkatësi i sipërm duhet të zëvendësohet në mënyrë që ana me më shumë vrima të kthehet nga lart.



Mund të hiqni spërkatësin e poshtëm duke e tërhequr lart.

## SISTEMI I ZBUTJES SË UJIT

Zbutësi i ujit ul automatikisht fortësinë e ujit duke parandaluar grumbullimin e gëlqeres në ngrohësin, dhe gjithashtu kontribuon në efikasitetin më të mirë të pastrimit.

**Ky sistem vetë-rigenerohet me kripë, dhe prandaj duhet të mbushni kutinë e kripës kur është e zbrazët.**

Shpeshtësia e rigjenerimit varet nga konfigurimi i nivelit të fortësisë së ujit. Rigjenerimi zhvillohet njëherë në 5 cikla Eco me nivelin e konfiguruar të fortësisë së ujit në 3.

Procesi i rigjenerimit fillon në shpëlarjen përfundimtare dhe përfundon në fazën e tharjes, para se të përfundojë ciklin.

- Rigjenerimi individual i konsumon: ~3.5L ujë;
- Nevojiten deri 5 minuta shtesë për ciklin;
- Konsumon nën 0.005 kWh energji.

# ZGJIDHJA E PROBLEMIT

Nëse enëlarësja juaj nuk punon në mënyrë të rregullt, kontrolloni nëse mund të zgjidhni problemin me anë të listës së mëposhtme. Për gabimet ose problemet e tjera kontaktoni shërbimin e autorizuar të shitjes detajet e kontaktit të të cilit mund t'i gjeni në librezën e garancisë. Pjesët rezervë do të jenë në dispozicion për një periudhë nga 7 deri 10 vjet, në përputhje me Kërkesat rregulluese.

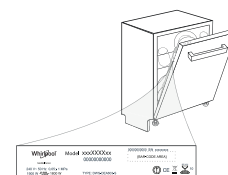
PROBLEMET	SHKAQET E MUNDURA	ZGJIDHJET
Enëlarësja nuk do të fillojë të punojë ose nuk reagon ndaj komandave.	Pajisja nuk është lidhur mirë në furnizimin me energji elektrike.	Vendosni kabllon elektrike në prizën elektrike.
	Nuk ka energji elektrike.	Për arsye sigurie, enëlarësja nuk do të fillojë të punojë automatikisht pas rikthimit të energjisë elektrike. Hapni derën e enëlarësës, shtypni butonin FILLIM/Pushim dhe mbyllni derën përsëri brenda 4 sekondave.
	Dera e enëlarësës nuk është mbyllur.	Shtypni fort derën derisa të dëgjohet një tingull "klik"
	Cikli ndërpritet kur dera hapet për më shumë se 4 sekonda.	Shtypni butonin FILLIM/Pushim dhe mbyllni derën përsëri brenda 4 sekondave.
	Nuk reagon ndaj komandave.	Fikni pajisjen duke shtypur butonin ON/OFF, ndizeni përsëri atë pas një minute dhe rivendosni programin. Nëse problemi vazhdon, nxirrni kabllon elektrike për 1 minutë, dhe pastaj lidheni përsëri.
Uji nuk rrjedh nga enëlarësja.	Cikli i larjes nuk ka përfunduar ende.	Pritni që të përfundojë ciklin i larjes.
	Zorra e kullimit është përthyer.	Kontrolloni nëse është përthyer zorra e kullimit ( <i>shihni UDHËZIMET E INSTALIMIT</i> ).
	Zorra e kullimit të lavamanit është bllokuar.	Pastroni zorrën e kullimit të lavamanit.
	Filtri është bllokuar me pjesët e mbetura të ushqimit.	Pastroni filtrin ( <i>shihni PASTRIMIN E SISTEMIT TË FILTRAVE</i> ).
Enëlarësja bën zhurmë të jashtëzakonshme.	Enët përplasen njëri me tjetrin.	Ndani enët në mënyrë të rregullt ( <i>shihni NGARKIMIN E RAFTEVE</i> ).
	Krijohet shumë shumë.	Detergjenti nuk është matur mirë ose nuk është i përshtatshëm për përdorim në enëlarësen ( <i>shihni MBUSHJA E KUTISË SË DETERGJENTIT</i> ). Rivendosni ciklin aktual DUKE FIKUR enëlarësen, pastaj ndizeni përsëri atë, zgjidhni programin e ri dhe shtypni butonin FILLIM/Pushim dhe mbyllni derën brenda 4 sekondave. Mos shtoni detergjentin.
Enët nuk janë të pastra.	Enët nuk janë vendosur në mënyrë të rregullt.	Ndani enët në mënyrë të rregullt ( <i>shihni NGARKIMIN E RAFTEVE</i> ).
	Spërkatësit nuk mund të rrotullohen lirish sepse i pengojnë enët.	Ndani enët në mënyrë të rregullt ( <i>shihni NGARKIMIN E RAFTEVE</i> ).
	Cikli i larjes është shumë i butë.	Zgjidhni ciklin përkatës të larjes ( <i>shihni TABELËN E PROGRAMEVE</i> ).
	Krijohet shumë shumë.	Detergjenti nuk është matur mirë ose nuk është i përshtatshëm për përdorim në enëlarësen ( <i>shihni MBUSHJA E KUTISË SË DETERGJENTIT</i> ).
	Nuk është mbyllur mirë kapaku në kutinë e mjetit për shpëlarje .	Kini kujdes që të mbyllet kapaku i kutisë së mjetit për shpëlarje.
	Filtri është i pistë ose i bllokuar.	Pastroni sistemin e filtrave ( <i>shihni KUJDESI DHE MIRËMBAJTJA</i> ).
Enëlarësja nuk merr ujë.	Nuk ka ujë në sistemin e furnizimit me ujë ose është mbyllur rubineti.	Kini kujdes që të ketë ujë në sistemin e furnizimit me ujë ose që rubineti të jetë i hapur.
	Zorra e furnizimit me ujë është përthyer.	Kini kujdes që zorra e furnizimit me ujë të mos përthyeret ( <i>shihni INSTALIMIN</i> ), konfiguroni përsëri programin dhe ndizeni enëlarësen.
	Sita në zorrën e furnizimit me ujë është bllokuar; duhet të pastrohet.	Pasi keni bërë kontrollimin dhe pastrimin, fikni dhe ndizeni enëlarësen dhe nisni përsëri programin e ri.
Enëlarësja mbaron shumë herët ciklin.	Zorra e kullimit është vendosur shumë ulët ose sifonimi shkon në sistemin e kanalizimit të shtëpisë.	Kontrolloni nëse fundi i zorrës së kullimit është vendosur në lartësinë e duhur ( <i>shihni INSTALIMIN</i> ). Kontrolloni nëse sifonimi shkon në sistemin e kanalizimit të shtëpisë, nëse ka nevojë instaloni ventilin për furnizimin me ajër.
	Ajër në furnizimin me ujë.	Kontrolloni nëse furnizimi me ujë rrjedh ose problemet e tjera lënë ajrin brenda.
Rrjedhja e detergjentit.	Varet nga lloji i detergjentit të lëngshëm që përdoret dhe mund të theksohet nëse aktivizohet opsioni i vonimit.	Rrjedhjet e vogla nuk çojnë në keqfunksionimin e makinës. Ato mund të shmangen duke ndryshuar llojin e detergjentit të lëngshëm ose duke përdorur tableta.

## Udhëzimet, dokumentacionet standarde dhe informacionet shtesë mund të gjenden:

- Në faqen tonë të internetit [docs.hotpoint.eu](https://docs.hotpoint.eu) dhe [parts-selfservice.europeanappliances.com](https://parts-selfservice.europeanappliances.com)
- Duke përdorur kodin QR
- Gjithashtu, mund të **kontaktoni shërbimin tonë të shitjes** (numri telefonik gjendet në librezën e garancisë). Kur kontaktoni shërbimin tonë të shitjes për klientët, ju lutemi të lexoni shifrat të cilat gjenden në pllakëzën identifikuese të produktit tuaj.

Informacionet rreth modelit mund t'i shkarkoni duke përdorur kodin QR të shkruar në shenjën energjetike.

Shenja përfshin edhe identifikuesin e modelit që mund të përdoret për kontrollimin e regjistrimit në portalin, në adresën <https://eprel.ec.europa.eu>.



# Hotpoint

ARISTON

# UPUTSTVO ZA SVAKODNEVNU UPOTREBU



**HVALA ŠTO STE KUPILI PROIZVOD KOMPANIJE HOTPOINT ARISTON.**  
Kako biste dobili kompletniju podršku, molimo da registrujete Vaš uređaj na: [www.hotpoint.eu/register](http://www.hotpoint.eu/register)

**SKENIRAJTE QR KOD NA SVOM UREĐAJU DA BISTE DOBILI DETALJNIJE INFORMACIJE**

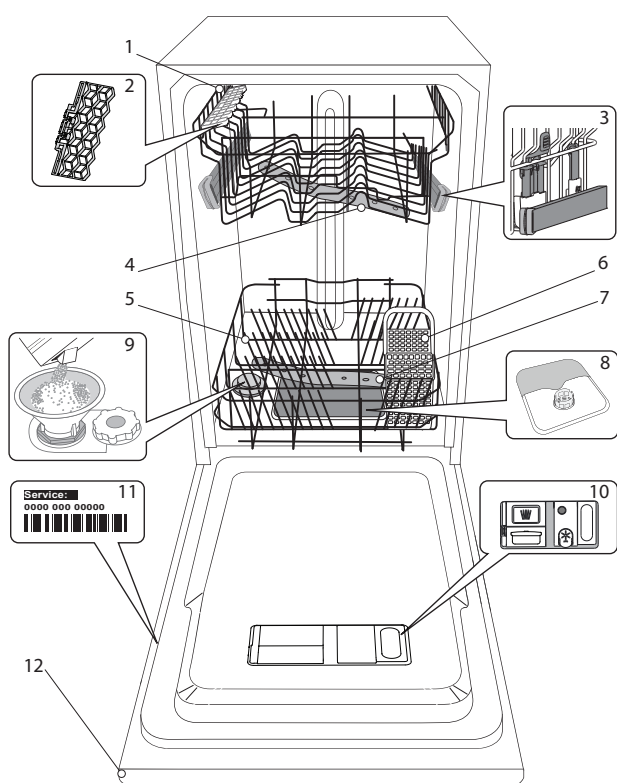


**Pre korišćenja uređaja, pažljivo pročitajte uputstva za bezbednost i instalaciju.**

Nakon instalacije, ne zaboravite da uklonite sve delove za zaštitu tokom transporta iz mašine za pranje sudova.

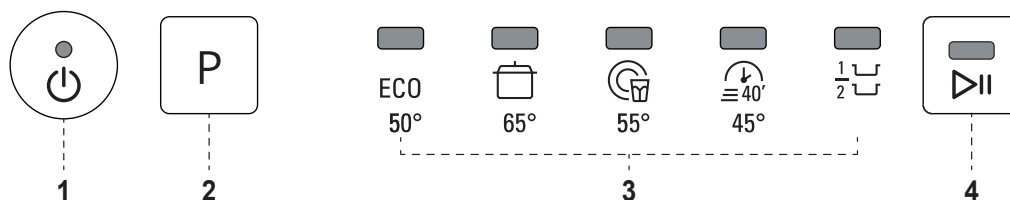
## OPIS PROIZVODA

### UREĐAJ



1. Gornja korpa
2. Sklopiva krilca
3. Podešivač visine gornje korpe
4. Gornja prskalica
5. Donja korpa
6. Korpa za pribor za jelo
7. Donja prskalica
8. Sklop filtera
9. Rezervoar za so
10. Posude za deterdžent i sredstvo za ispiranje
11. Natpisna pločica
12. Kontrolna tabla

### KONTROLNA TABLA



1. Dugme za Uključi-Isključi /Ponovno podešavanje sa svetlosnim indikatorom
2. Dugme za izbor programa
3. Svetlosni indikator za program
4. Dugme za Početak/Pauzu sa svetlosnim indikatorom

# Hotpoint

ARISTON

# PRVA UPOTREBA

## SO, SREDSTVO ZA ISPIRANJE I DETERDŽENT

### SAVETI U VEZI SA PRVOM UPOTREBOM

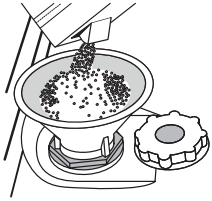
Nakon ugradnje, uklonite zapušače sa korpi i elastične elemente za zadržavanje sa gornje korpe.

### PUNJENJE REZERVOARA ZA SO

Upotreba soli sprečava stvaranje KAMENCA na posuđu i na funkcionalnim komponentama mašine.

- Obavezno je **DA REZERVOAR ZA SO NIKADA NE BUDE PRAZAN.**
- Važno je podesiti tvrdoću vode.

Rezervoar za so se nalazi u donjem delu mašine za sudove (vidite *OPIS PROIZVODA*) i treba da se napuni kada se zeleni plovak na zatvaraču rezervoara za so više ne vidi.



1. Uklonite donju korpu i odvrnite poklopac rezervoara (u smeru suprotnom od smer kretanja kazaljki na satu).
2. **Samo prvi put kada ovo radite: napunite rezervoar za so vodom.**
3. Postavite levak (vidite sliku) i napunite rezervoar za so do ivice (oko 1 kg); nije neuobičajeno da malo vode iscuri.
4. Uklonite levak i obrišite ostatke soli sa otvora.

Vodite računa da poklopac bude čvrsto zavijen, tako da deterdžent ne može da uđe u posudu tokom programa pranja (to može da ošteti omekšivač za vodu tako da se ne može popraviti).

**Kad god je potrebno da dodate so, obavezno je da obavite proceduru pre početka ciklusa pranja da bi se izbegla korozija.**

### PODEŠAVANJE TVRDOĆE VODE

Da bi omekšivač za vodu radio kako treba, neophodno je da tvrdoća vode bude podešena na osnovu stvarne tvrdoće vode u vašoj kući. Ove informacije možete dobiti od lokalnog snabdevača vodom.

Podrazumevana vrednost tvrdoće vode se fabrički podešava.

- Uključite uređaj pritiskom na dugme **UKLJUČI/ISKLJUČI.**
- Isključite uređaj pritiskom na dugme **UKLJUČI/ISKLJUČI.**
- Zadržite dugme **P** 5 sekundi, dok se ne začuje zvučni signal.
- Uključite uređaj pritiskom na dugme **UKLJUČI/ISKLJUČI.**
- Svetlosni indikator programa trenutno podešenog nivoa treperi.
- Pritisnite taster **P** za izbor željene tvrdoće vode (videti *TABELU TVRDOĆE VODE*).

Tabela tvrdoće vode					
Nivo			°dH nemački stepeni	°fH francuski stepeni	°Clark engleski stepeni
1	ECO	Meka	0 - 6	0 - 10	0 - 7
2		Srednja	7 - 11	11 - 20	8 - 14
3		Prosečna	12 - 16	21 - 29	15 - 20
4		Tvrda	17 - 34	30 - 60	21 - 42
5		Veoma tvrda	35 - 50	61 - 90	43 - 62

- Isključite uređaj pritiskom na dugme **UKLJUČI/ISKLJUČI**

Podešavanje je završeno!

Čim se ovaj postupak završi, pokrenite program bez punjenja.

**Koristite samo so koja je posebno napravljena za mašine za pranje sudova.**

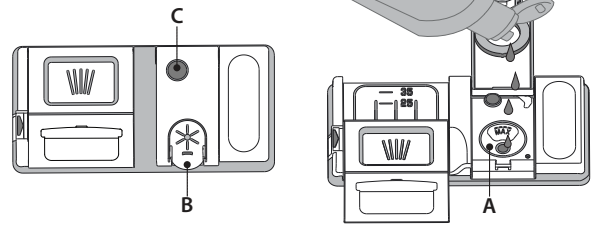
Nakon što sipate so u mašinu, svetlosni indikator za DOPUNA SOLI se isključuje.

**Ako rezervoar za so nije pun, može doći do oštećenja omekšivača vode i grejača usled nagomilavanja kamenca.**

**Korišćenje soli se preporučuje sa bilo kojom vrstom deterdženta za mašinu za pranje sudova.**

### PUNJENJE POSUDA ZA SREDSTVO ZA ISPIRANJE

Sredstvo za ispiranje olakšava SUŠENJE posuđa. Rezervoar za sredstvo za ispiranje **A** treba da se napuni kada tamni optički indikator na vratima rezervoara **C** postane proziran.



1. Otvorite posudu **B** tako što ćete pritisnuti i povući na gore jezičak na poklopcu.
2. Pažljivo sipajte sredstvo za ispiranje do oznake za maksimum (110 ml) na prostoru za punjenje - izbegavajte prosipanje. Ako se to dogodi, odmah obrišite prosuto suvom krpom.
3. Pritisnite poklopac dok se ne začuje zvuk škljocanja.

**NIKADA ne sipajte sredstvo za ispiranje direktno u kadicu.**

### PODEŠAVANJE DOZIRANJA SREDSTVA ZA ISPIRANJE

Ako niste u potpunosti zadovoljni rezultatima sušenja, možete da podesite količinu sredstva za ispiranje koja se koristi.

- Uključite mašinu za pranje sudova pomoću dugmeta **UKLJUČI/ISKLJUČI.**
- Isključite je pomoću dugmeta **UKLJUČI/ISKLJUČI.**
- Pritisnite dugme **P** tri puta - začuje se zvučni signal.
- Uključite je pomoću dugmeta **UKLJUČI/ISKLJUČI.**
- Svetlosni indikator programa trenutno podešenog nivoa treperi.
- Pritisnite dugme **P** da biste izabrali nivo količine sredstva za ispiranje koje će se koristiti.
- Isključite pomoću dugmeta **UKLJUČI/ISKLJUČI.**

Podešavanje je završeno!

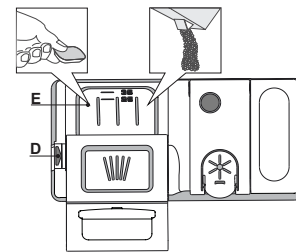
Ako je nivo sredstva za ispiranje podešen na 1 (EKO), sredstvo za ispiranje se neće koristiti.

Mogu se podesiti maksimalno 5 nivoa u zavisnosti od modela mašine za pranje sudova. Fabričko podešavanje zavisi od modela, sledite gorenavedena uputstva da biste proverili za svoju mašinu.

- Ako vidite plavičaste tragove na posuđu, podesite nizak broj (2-3).
- Ako na posuđu ima kapljica vode ili tragova kamenca, podesite visok broj (4-5).

### PUNJENJE POSUDE ZA DETERDŽENT

**Za otvaranje posude za deterdžent koristite uređaj za otvaranje D. Deterdžent sipajte samo u suhu posudu E. Deterdžent za pretpranje sipajte direktno u kadicu.**




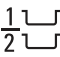


1. Za odmeravanje deterdženta pogledajte prethodno pomenute informacije kako biste sipali odgovarajuću količinu. U posudi **E** nalaze se oznake koje vam mogu pomoći u doziranju deterdženta.
2. Uklonite ostatke deterdženta sa ivica posuda pre nego što i zatvorite poklopac dok se ne začuje zvuk škljocanja.
3. Zatvorite poklopac posude za deterdžent povlačenjem na gore dok uređaj za zatvaranje ne bude čvrsto na mestu.

Posuda za deterdžent se automatski otvara u odgovarajućem trenutku u skladu sa programom.

**Korišćenje deterdžente koji nije namenjen za mašine za pranje sudova može da izazove kvar ili oštećenje uređaja.**

## TABELA SA PROGRAMIMA

Program	Faza sušenja	Trajanje programa za pranje (h:min) <sup>*)</sup>	Potrošnja vode (litri/ciklus)	Potrošnja energije (kWh/ciklus)
1. Eko ECO 50°	✓	4:30	11.5	0.76
2. Intenzivan  65°	✓	2:30	15.5	1.50
3. Mešano  55°	✓	2:30	15.5	1.30
4. Brzi program 40'  45°	-	0:40	8.5	0.90
5. Polupuno  55°	✓	1:20	11.5	0.90

Podaci programa EKO su mereni u laboratorijskim uslovima u skladu sa evropskim standardom EN 60436:2020.

Napomena za laboratorije za testiranje: za informacije na uslove komparativnog ispitivanja EN, pogledajte adresu:

[dw\\_test\\_support@europeanappliances.com](mailto:dw_test_support@europeanappliances.com)

Prethodno tretiranje posuđa nije potrebno ni za jedan program.

\*) Vrednosti koje su date za programe koji nisu Eko program su samo pokazne. Stvarno vreme može da varira u zavisnosti od mnogih faktora kao što su temperatura, količina deterdženta, količina i vrsta posuđa, balansiranje posuđa, dodatne izabrane opcije i kalibracija senzora. Kalibracija senzora može da poveća trajanje programa do 20 min.

## OPIS PROGRAMA

### Uputstva za biranje ciklusa pranja.

#### 1 EKO

Eko program je podesan za pranje umereno zaprljanog posuđa, i u tu svrhu je ovo najefikasniji program u pogledu kombinovane potrošnje energije i vode i da se koristi za procenu usklađenosti sa propisima EU za ekološki dizajn.

#### 2 INTENZIVAN

Program preporučan za jako zaprljano posuđe, naročito za tiganje i šerpe (ne koristiti za osetljivo posuđe).

#### 3 MEŠANO

Različito uprljano posuđe. Za normalno zaprljano posuđe sa sasušanim ostacima hrane.

#### 4 BRZI PROGRAM 40'

Program za korišćenje sa polupunom mašinom ili sa blago zaprljanim posuđem bez sasušanih ostataka hrane. Nema faze sušenja

#### 5 POLUPUNO

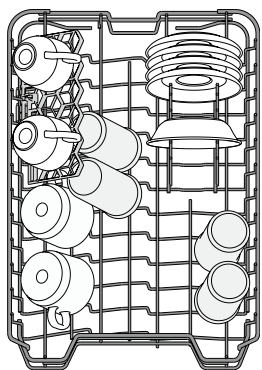
Idealan za pranje polupune mašine sa blago ili normalno zaprljanim posuđem.

#### Napomene:

Imajte u vidu da je ciklus *Brzi program 40'* namenjen za blago zaprljano posuđe.

# PUNJENJE KORPI

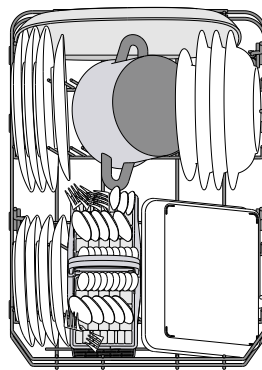
## GORNJA KORPA



(primer punjenja gornje korpe)

Stavite osetljivo i lako posuđe: čaše, šolje, tacne, plitke posude za salatu.

## DONJA KORPA



(primer punjenja donje korpe)

Za šerpe, poklopce, tanjire, posude za salatu, pribor itd. Velike tanjire i poklopce treba stavljati sa strane, kako bi se izbeglo dodirivanje prskalica.

## PODEŠAVANJE VISINE GORNJE KORPE

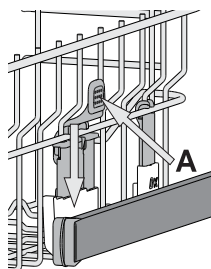
Visina gornje korpe se može podesiti: visoki položaj za postavljanje velikog posuđa u donju korpu i nizak položaj za maksimalno korišćenje držača koji se pomeraju, tako što se stvara više prostora na gore i izbegava sudaranje sa sudovima iz donje korpe.

Gornja korpa ima **Podešivač visine gornje korpe** (vidite sliku), bez pritiskanja ručica, jednostavno podignite držeći korpu sa strane, čim se korpa stabilno namesti u viši položaj.

Da biste vratili na niži položaj, pritisnite ručice **A** koje se nalaze na stranama korpe i pomerite korpu na dole.

**Preporučujemo da ne podešavate visinu korpe kada je napunjena.**

**NIKADA ne podižite niti spuštajte samo jednu stranu korpe. SKLOPIVA**



## KRILCA SA PODESIVIM POLOŽAJEM

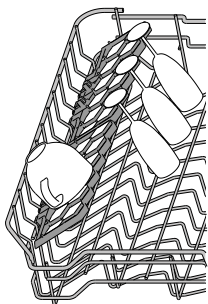
Sklopiva krilca možete da sklopite ili rasklopite i tako pronađete najbolji raspored posuđa na rešetki.

Čaše za vino se bezbedno mogu staviti u sklopiva krilca tako što se stopa svake čaše stavi u odgovarajući otvor.

U visokom položaju gornje pregrade, klapne ne mogu ostati u vertikalnom položaju.

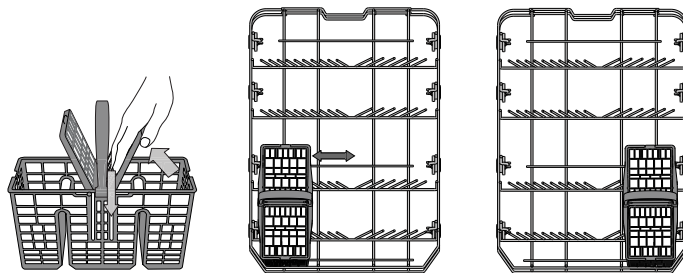
Zavisno od modela:

- da biste rasklopili krilca, treba da ih gurnete nagore i okrenete ili da ih odvojite od držača i spustite nadole.
- da biste sklopili krilca, treba da ih okrenete i gurnete nadole ili nagore, pa ih zakačite za držače.



## KORPA ZA PRIBOR ZA JELO

Ima rešetke pri vrhu za bolje postavljanje pribora. Mora se postaviti samo u prednjem delu donje korpe.



Noževi i drugi pribor oštih ivica se mora postaviti u korpu za pribor sa vrhovima okrenutim na dole ili se staviti u horizontalan položaj u odeljak koji se pomera u gornjoj korpi.

# SVAKODNEVNA UPOTREBA

## 1. PROVERITE PRIKLJUČAK NA VODOVODNU MREŽU

Proverite da li je mašina za pranje sudova povezana na dovod vode i da li je slavina otvorena.

## 2. UKLJUČITE MAŠINU ZA PRANJE SUDOVA

Otvorite vrata i pritisnite dugme **UKLJUČI/ISKLJUČI**.

## 3. NAPUNITE KORPE

(videti **PUNJENJE KORPI**)

## 4. PUNJENJE POSUDE ZA DETERDŽENT

## 5. IZABERITE PROGRAM I PRILAGODITE CIKLUS

Izaberite najprikladniji program u skladu sa vrstom posuđa i nivoom zaprljanosti (videti **OPIS PROGRAMA**) pritiskom na dugme **P**. Izaberite željene opcije (videti **OPCIJE I FUNKCIJE**).

## 6. POČETAK

Započnite ciklus pranja pritiskom na dugme **POČETAK/PAUZU** (led svetlo je uključeno) i zatvaranjem vrata u roku od 4 sekunde. Kada program počne, čujete jedan zvučni signal. Ukoliko se vrata ne zatvore u roku od 4 sekunde, oglašava se alarm. U tom slučaju, otvorite vrata, pritisnite dugme **POČETAK/PAUZU** i ponovo zatvorite vrata u roku od 4 sekunde.

## 7. ZAVRŠETAK CIKLUSA PRANJA

Kraj ciklusa pranja je označen zvučnim signalom i treperenjem broja ciklusa pranja na displeju. Otvorite vrata i isključite uređaj pritiskom na dugme **UKLJUČI/ISKLJUČI**. Sačekajte nekoliko minuta pre nego što izvadite posuđe - da biste izbegli opekotine. Ispraznite korpe, počevši sa donjom.

Mašina će se automatski isključiti tokom dužih perioda neaktivnosti, kako bi se smanjila potrošnja električne energije.

Ako je posuđe samo blago uprljano ili ako ga isperete vodom pre nego što ga stavite u mašinu za pranje sudova, u skladu s tim smanjite količinu deterdženta koji koristite.

## IZMENA PROGRAMA KOJI JE U TOKU

Ako ste izabrali pogrešan program, možete da ga promenite, pod uslovom da je tek počeo: otvorite vrata, pritisnite i zadržite dugme **UKLJUČI/ISKLJUČI**, mašina će se isključiti.

Ponovo uključite mašinu pomoću dugmeta **UKLJUČI/ISKLJUČI** i izaberite novi ciklus pranja i željene opcije; započnite ciklus pritiskom na dugme **POČETAK/PAUZU** i zatvaranjem vrata u roku od 4 sekunde.

## DODAVANJE DODATNOG POSUĐA

Ne isključujući mašinu, otvorite vrata (led svetlo dugmeta **POČETAK/PAUZU** počinje da treperi) (**pazite se VRELE pare!**) i stavite posuđe u mašinu. Pritisnite dugme **POČETAK/PAUZU** i zatvorite vrata u roku od 4 sekunde, ciklus će se nastaviti od trenutka u kom je zaustavljen.

## SLUČAJNI PREKIDI

Ako su vrata otvorena tokom ciklusa pranja ili ako dođe do prekida napajanja električnom energijom, ciklus se zaustavlja.

Da biste nastavili ciklus tamo gde je prekinut, pritisnite dugme **POČETAK/PAUZU** i zatvorite vrata u roku od 4 sekunde, ciklus će se nastaviti od trenutka u kom je zaustavljen.

# SAVETI I PREDLOZI

## SAVETI

Pre nego što napunite korpe, uklonite sve ostatke hrane sa posuđa i ispraznite čaše. **Nije potrebno da prethodno ispirate vodom.** Posuđe postavite tako da stoji čvrsto na mestu i da ne sklizne; posude postavite sa otvorima okrenutim na dole, a udubljene/ispupčene delove postavite koso, kako bi voda mogla da dopre do svih površina i da slobodno teče.

**Upozorenje:** poklopci, ručice, poslužavnici i tiganji ne sprečavaju rotiranje prskalica.

Svo malo posuđe stavite u korpu za pribor.

Veoma zaprljano posuđe i šerpe bi trebalo da stavite u donju korpu, jer su prskalice u ovom delu jače i pružaju bolje performanse pranja. Nakon što napunite uređaj, vodite računa da prskalice mogu slobodno da se rotiraju.

## NEODGOVARAJUĆE POSUĐE

- Drveno posuđe i pribor.
- Osetljive ukrašene čaše, umetničke rukotvorine i antičko posuđe. Dekoracija na njima nije otporna.
- Delovi od sintetičkog materijala ne podnose visoke temperature.
- Posuđe od bakra i kalaja.
- Posuđe zaprljano pepelom, voskom, mašću za podmazivanje ili mastilom.

Boja dekoracije na staklu i komadima od aluminijuma/srebra može da se promeni i izbledi tokom procesa pranja. Neke vrste stakla (npr. kristalni predmeti) takođe mogu da se zamute nakon određenog broja ciklusa pranja.

## OŠTEĆENJE ČAŠA I POSUĐA

- Koristite samo čaše i porculansko posuđe za koje proizvođač garantuje da je bezbedno za mašinsko pranje.
- Koristite blag deterdžent za posuđe
- Sakupite čaše i posuđe iz mašine za pranje sudova čim se ciklus pranja završi.

## SAVETI ZA UŠTEDU ENERGIJE

- Kada se mašina za pranje sudova za domaćinstvo koristi u skladu sa uputstvima proizvođača, **pranje posuđa u mašini za pranje sudova uglavnom troši MANJE ENERGIJE i vode od ručnog pranja.**
- Da biste povećali efikasnost mašine za pranje sudova, **preporučuje se da ciklus pranja pokrenete kada se mašina za sudove u potpunosti napuni.** Punjenje mašine za pranje sudova za domaćinstvo do kapaciteta koji je naveo proizvođač će doprineti uštedi energije i vode. Informacije o pravilnom slaganju posuđa možete pronaći u poglavlju PUNJENJE KORPI. U slučaju delimične napunjenosti, preporučuje se da koristite odgovarajuće opcije za pranje, ako postoje (Half load/Zone Wash/Multizone (Polupuno/zonsko pranje/više zona)), popunjavajući samo izabrane korpe. Nepravilno punjenje ili prepunjavanje mašine za pranje sudova može da poveća potrošnju resursa (poput vode, energije i vremena, kao i da poveća nivo buke), smanjujući performanse čišćenja i sušenja.
- Ručno predispiranje komada posuđa dovodi do povećane potrošnje vode i energije i nije preporučljivo.

## HIGIJENA

Da bi se izbeglo stvaranje neprijatnih mirisa i naslaga u mašini za pranje sudova, **program sa visokom temperaturom pokrenite najmanje jednom mesečno.** Koristite jednu kafenu kašičicu deterdženta i pokrenite program bez postavljanja posuđa kako biste očistili uređaj.

## OTPORNOST NA SMRZAVANJE

Ukoliko je uređaj postavljen na mesto izloženo riziku od smrzavanja, **obavezno ga treba potpuno osušiti.** Zatvorite slavinu za vodu, skinite dovodno i odvodno crevo i isпустite vodu iz uređaja. **Proverite da li je omekšivač vode pun rastvorene soli za regeneraciju u posudi za so,** da biste zaštitili uređaj od temperatura do -20 °C.

Ako je uređaj čuvan na mrazu, pre prvog pokretanja najpre mora da odstoji na ambijentalnoj temperaturi od najmanje 5 °C tokom **barem 24 sata.**

# NEGA I ODRŽAVANJE

## ČIŠĆENJE SKLOPA FILTERA

Redovno čistite sklop filtera kako se filteri ne bi zapušili i kako bi otpadna voda pravilno oticala.

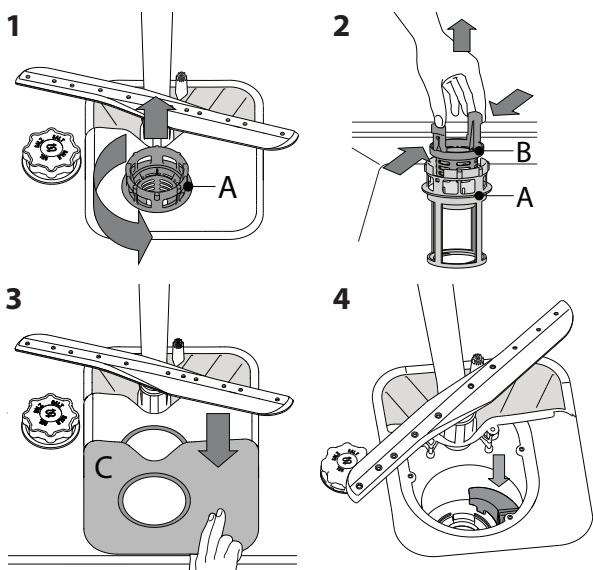
Korišćenje mašine za pranje sudova sa zapušnim filterima ili stranim predmetima unutar sistema za filtriranje ili prskalicama može dovesti do kvara uređaja i time gubitka performansi, glasnog rada ili veće potrošnje resursa.

Sklop filtera se sastoji od tri filtera koji uklanjaju ostatke hrane iz vode za pranje i omogućavaju recirkulaciju vode: kako bi se postigli najbolji rezultati pranja, filtere treba održavati čistim.

**Mašina za pranje sudova se ne sme koristiti bez filtera ili ako je filter labav.**

Barem jednom mesečno ili nakon svakih 30 ciklusa, proverite sklop filtera i ukoliko je potrebno detaljno ga očistite pod mlazom vode, pomoću četke koja nije metalna i sledeći uputstva navedena u nastavku:

1. Okrenite cilindrični filter **A** u smeru suprotnom od smera kretanja kazaljki na satu i izvucite ga (slika 1).
2. Uklonite kupasti filter **B** primenom blagog pritiska na bočna krilca (slika 2).
3. Izvucite pločasti filter od nerđajućeg čelika **C** (slika 3).
4. Ukoliko pronađete strane predmete (kao što je slomljeno staklo, porcelan, kosti, semenke voća itd.) pažljivo ih uklonite.
5. Proverite sklopku i uklonite sve ostatke hrane. **NIKADA NE UKLANJAJTE** zaštitu pumpe za ciklus pranja (crni deo) (slika 4).



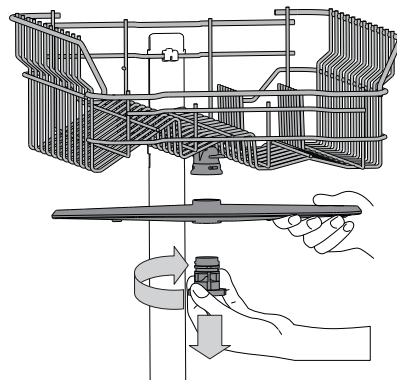
Nakon čišćenja filtera, ponovo postavite sklop filtera i pravilno ih pričvrstite na mesto; ovo je neophodno za efikasan rad mašine za pranje sudova.

## ČIŠĆENJE CREVA ZA DOVOD VODE

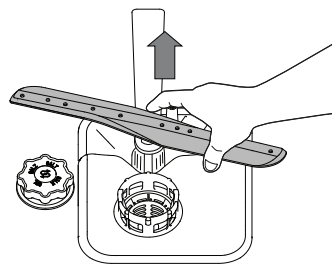
Ako su creva za vodu nova ili neko vreme nisu korišćena, pustite vodu kroz njih da biste bili sigurni da su čista i da bi se očistila od nečistoća pre nego što se povežu. Ako ne obavite ovu meru opreza, dovod vode se može blokirati i oštetiti mašinu za pranje sudova.

## ČIŠĆENJE PRSKALICA

Povremeno, ostaci hrane mogu da se score na prskalicama i tako blokiraju otvore za prskanje vode. Stoga se preporučuje da povremeno proveravate prskalice i čistite ih malom četkom koja nije od metala.



Da biste uklonili gornju prskalicu, okrenite plastični prsten za zaključavanje u smeru kretanja kazaljki na satu. Gornja prskalica se ponovo postavlja tako da strana sa više otvora bude okrenuta na gore.



Donju prskalicu možete ukloniti tako što ćete je povući na gore.

## SISTEM ZA OMEKŠAVANJE VODE

Omekšivač vode automatski smanjuje tvrdoću vode i time sprečava nakupljanje kamenca na grejaču, čime takođe doprinosi efikasnijem čišćenju.

**Ovaj sistem sam sebe regeneriše pomoću soli, te je stoga obavezno da dopunite rezervoar za so kada je prazan.**

Učestalost regeneracije zavisi od postavke nivoa tvrdoće vode – regeneracija se odvija jednom u 5 Eco ciklusa kada je nivo tvrdoće vode podešen na 3.

Proces regeneracije počinje sa poslednjim ispiranjem i završava se u fazi sušenja, pre završetka ciklusa.

- Jedna regeneracija troši: ~3,5 l vode;
- Produžava ciklus za još 5 minuta;
- Troši ispod 0,005 kWh energije

# OTKLANJANJE PROBLEMA

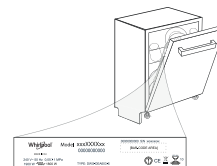
Ukoliko vaša mašina za pranje sudova ne radi pravilno, proverite da li je moguće rešiti problem pomoću sledeće liste. Za ostale greške ili probleme obratite se ovlašćenom postprodajnom servisu čije detalje za kontakt možete pronaći u garantnoj knjižici. Rezervni delovi su dostupni u periodu od 7 do 10 godina, u skladu sa posebnim zahtevima odredbe.

PROBLEMI	MOGUĆI UZROCI	REŠENJA
Mašina za pranje sudova neće da se pokrene ili ne reaguje na komande.	Uređaj nije pravilno uključen u strujno napajanje.	Umetnite utikač u utičnicu.
	Nema električne energije.	Iz bezbednosnih razloga, mašina za pranje sudova se neće automatski ponovo pokrenuti kada dođe do povraćaja električne energije. Otvorite vrata mašine za pranje sudova, pritisnite dugme POČETAK/Pauzu i zatvorite vrata u roku od 4 sekunde.
	Vrata mašine za pranje sudova nisu zatvorena.	Snažno gurnite vrata dok se ne začuje zvuk „klikanja“.
	Ciklus je prekinut otvaranjem vrata na > 4 sekunde.	Pritisnite dugme POČETAK/Pauzu i zatvorite vrata u roku od 4 sekunde
Voda ne otiče iz mašine za pranje sudova.	Ne reaguje na komande.	Isključite uređaj pritiskom na dugme UKLJUČI/ISKLJUČI, nakon jednog minuta ga ponovo uključite i ponovo pokrenite program. Ukoliko se problem nastavi, izvucite utikač uređaja na 1 minut, a zatim ga ponovo utaknite.
	Ciklus pranja se još nije završio.	Sačekajte da se ciklus pranja završi.
	Crevo za odvod je savijeno.	Proverite da li je crevo za odvod savijeno (videti UPUTSTVA ZA UGRADNJU).
	Odvodna cev sudopere je blokirana.	Očistite odvodnu cev sudopere.
Mašina za pranje sudova proizvodi neobičajnu buku.	Filter je zapušten ostacima hrane	Očistite filter (videti ČIŠĆENJE SKLOPA FILTERA).
	Sudovi udaraju jedan o drugi.	Pravilno poredajte posuđe (videti PUNJENJE KORPI).
	Proizvodi se previše pene.	Deterdžent nije pravilno odmeren ili nije pogodan za korišćenje u mašini za pranje sudova (videti PUNJENJE POSUDE ZA DETERDŽENT). Ponovo pokrenite trenutni ciklus tako što ćete ISKLJUČITI mašinu za pranje posuđa, a zatim je ponovo uključiti, odabrati novi program, pritisnuti dugme POČETAK/Pauzu i zatvoriti vrata u roku od 4 sekunde.
Posuđe nije čisto.	Posuđe nije pravilno postavljeno.	Pravilno poredajte posuđe (videti PUNJENJE KORPI).
	Prskalica ne mogu slobodno da se okreću, jer ih zaustavlja posuđe.	Pravilno poredajte posuđe (videti PUNJENJE KORPI).
	Ciklus pranja je previše blag.	Izaberite odgovarajući ciklus pranja (videti TABELU SA PROGRAMIMA).
	Proizvodi se previše pene.	Deterdžent nije pravilno odmeren ili nije pogodan za korišćenje u mašini za pranje sudova (videti PUNJENJE POSUDE ZA DETERDŽENT).
	Poklopac na odeljku za sredstvo za ispiranje nije pravilno zatvoren.	Vodite računa da poklopac posude za sredstvo za ispiranje bude zatvoren.
	Filter je zaprljan ili zapušten.	Očistite sklop filtera (videti ČUVANJE I ODRŽAVANJE).
	Nema soli.	Napunite rezervoar za so (videti PUNJENJE REZERVOARA ZA SO).
Mašina za pranje sudova ne prima vodu. Svi LED-i brzo trepere	Nema vode u sistemu za dovod vode ili je slavina zatvorena.	Vodite računa da ima vode u sistemu za dovod vode ili da je slavina odvrnuta.
	Crevo za dovod vode je savijeno.	Vodite računa da crevo za dovod ne bude savijeno (pogledajte odeljak Postavljanje), ponovo podesite program i pokrenite mašinu za pranje sudova.
	Sito u crevu za dovod vode je zapušeno; neophodno je očistiti ga	Nakon što obavite proveru i čišćenje, isključite i uključite mašinu za pranje sudova i ponovo pokrenite novi program.
Mašina za pranje sudova prerano završava ciklus.	Crevo za odvod je postavljeno prenisko ili odvod sifona ide u sistem kućne kanalizacije	Proverite da li je kraj creva za odvod postavljen na odgovarajućoj visini (pogledajte odeljak Postavljanje). Proverite da li odvod sifona ide u sistem kućne kanalizacije, po potrebi ugradite ventil za dovod vazduha.
	Vazduh u dovodu vode.	Proverite da li dovod vode curi ili drugi problemi propuštaju vazduh unutra.
Curenje deterdženta.	Zavisni od tečnog deterdženta koji se koristi i može da se pojača u slučaju da se aktivira opcija odlaganja.	Mala curenja neće izazvati kvar mašine i mogu da se spreče zamenom tipa tečnog deterdženta ili upotrebom tableta.

**Smernice, standardna dokumentacija, poručivanje rezervnih delova i dodatne informacije o proizvodu se mogu naći putem:**

- Pomoću QR koda na vašem uređaju.
- Našeg veb-sajta [docs.hotpoint.eu](https://docs.hotpoint.eu) i [parts-selfservice.europeanappliances.com](https://parts-selfservice.europeanappliances.com)
- Takođe, možete **kontaktirati naš postprodajni servis** (broj se nalazi u garantnoj knjižici). Prilikom kontaktiranja našeg postprodajnog servisa, navedite šifru koja se nalazi na pločici za identifikaciju proizvoda.

Informacije o modelu se mogu preuzeti pomoću QR koda navedenog na energetske oznaci. Oznaka uključuje i identifikator modela koji može da se upotrebi za proveru registracije na portalu, na adresi <https://eprel.ec.europa.eu>.



**400020040200**

03/2026 jk

# Hotpoint

ARISTON