

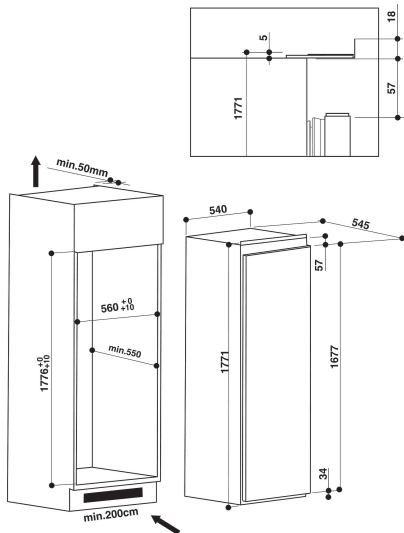
ARG 18083 A++

12NC: 859991030910

GTIN (EAN) code: 8003437041969

Whirlpool

SENSING THE DIFFERENCE



- Energy class: A++
- 6TH Sense FreshControl
- Total net capacity: 318 l
- Product dimensions (HxWxD): 1771x540x545 mm
- Reversible door
- Noise level: 34 dB(A)
- Vacation Mode
- Antibacterial filter
- Temperature adjustable
- Internal ventilation
- Cooling System for Fridge Compartment: No Frost
- Dairy Compartment
- 5 adjustable balconies
- 5 LEDs lighting
- 2 drawers
- 7 shelves in fridge compartment
- Electronic control

Whirlpool integrated fridge: white color - ARG 18083 A++

This Whirlpool integrated Fridge features: A++ energy rating. Dedicated bottle balcony. Antibacterial filter, for increased peace of mind. Exclusive 6th SENSE FreshControl technology, that automatically adjusts temperature and humidity levels inside your appliance, ensuring long-lasting freshness.



6th sense

Save energy, preserve freshness. The unique 6TH SENSE Technology ensures your food will look and taste great for longer than conventional fridges.



Fresh Control

Fresher, for longer. The 6TH SENSE Fresh Control technology continuously monitors the temperature and humidity in your fridge, creating the ideal conditions for storing your food, and allowing it to be preserved for up to 4 times longer.



34 dB(A)

With a noise level of just 34 dB, this refrigerator guarantees a very calm and quite ambient in the kitchen.



310 - 350 l capacity

All the space you need. This Whirlpool Refrigerator is designed to provide all the space you need to comfortably store your food and drinks.



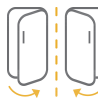
Ventilation

This Whirlpool Refrigerator features a fan that provides a smooth and even flow of air in your appliance's cavity, for enhanced ventilation.



EnergySaving

Ultra rapid temperature recovery. The innovative EnergySaving technology provides ultra rapid temperature recovery ensuring low energy consumption and prolonged freshness..



Reversible Door

For your convenience. This Whirlpool Refrigerator features a reversible door, that can be opened from left or right, for your convenience.



Auto Defrost

Effortless defrosting. Auto Defrost technology efficiently removes the build-up of ice in the fridge.



Electronic control system

Pitch-perfect performance. This Whirlpool Refrigerator features an Electronic control system that ensures correct parameter settings at all times, providing the ideal performance and temperature control.

ARG 18083 A++

12NC: 859991030910

GTIN (EAN) code: 8003437041969

Whirlpool

SENSING THE DIFFERENCE

MAIN FEATURES

Product group	Refrigerator
Commercial code	ARG 18083 A++
GTIN (EAN) code	8003437041969
Construction type	Built-in
Installation type	Full-integrated
Type of control	Electronic
Type of control settings	7 segments
Main colour of product	White
Electrical connection rating (W)	130
Current (A)	13
Voltage (V)	220-240
Frequency (Hz)	50
Length of Electrical Supply Cord (cm)	200
Plug type	UK
Total unit net capacity (l)	318
Star Rating	Automatic
Number of independent cooling systems	1
Height of the product	1771
Width of the product	540
Depth of the product	545
Depth with open door 90 degree (mm)	-
Maximum adjustability feet	0
Net weight (kg)	50
Door hinge	Right reversible

TECHNICAL FEATURES

Temperature adjustable	Yes
Warning signal / Malfunction	Visual
Defrost process fridge section	Automatic
Fast cooling possibility	No
Interior ventilator fridge section	Yes
Shelves for Bottles	Yes
Lockable door	-
Number of shelves in fridge compartment	7
Number of Adjustable Shelves in fridge compartment	5
Material of the shelves	Glass
Thermometer fridge section	None

PERFORMANCES

Energy efficiency class - NEW (2010/30/EU)	A++
Energy consumption annual (kWh/annum) - NEW (2010/30/EU)	115
Refrigerator Net capacity (l) - NEW (2010/30/EU)	314
Freezer Net capacity (l) - NEW (2010/30/EU)	0
Freezing capacity (kg/24h) - NEW (2010/30/EU)	0
Temperature rise time (h)	0
Climate class	SN-T
Noise level (dB(A) re 1 pW)	34
Frost free system	No
Maximum ambient temperature	43
Minimum ambient temperature	10

ENERGIA - ЕНЕРГИЈА
ENERGIA - ENERGIJA
ENERGIA - ENERGIJA

WHIRLPOOL ARG 18083 A++

A++

115 kWh/annum

314 L

0 L

34 dB

2010/1060