

DAILY REFERENCE GUIDE



THANK YOU FOR BUYING A HOTPOINT ARISTON PRODUCT. In order to receive a more complete assistance, please register your appliance on: www.hotpoint.eu/register

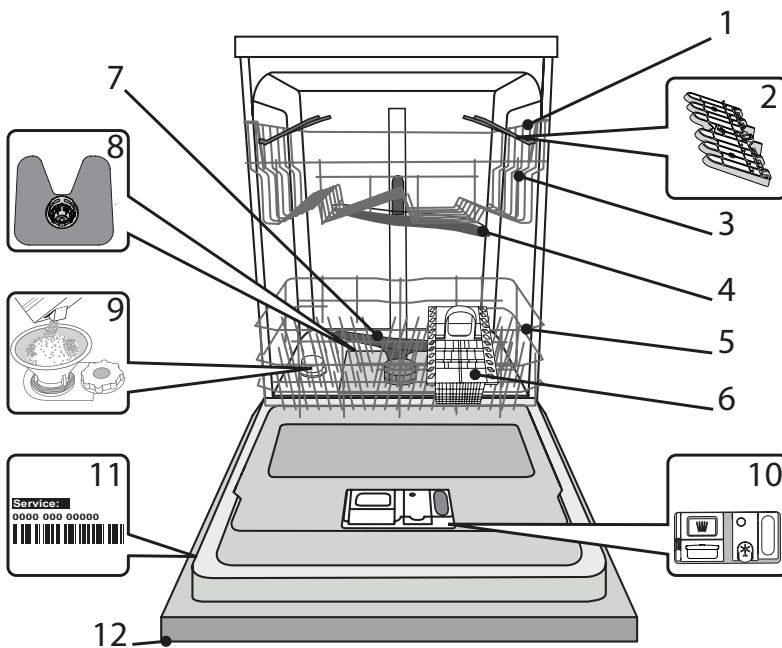
PLEASE SCAN THE QR CODE ON YOUR APPLIANCE IN ORDER TO HAVE MORE DETAILED INFORMATION



⚠ Before using the appliance carefully read Safety Instructions guide.

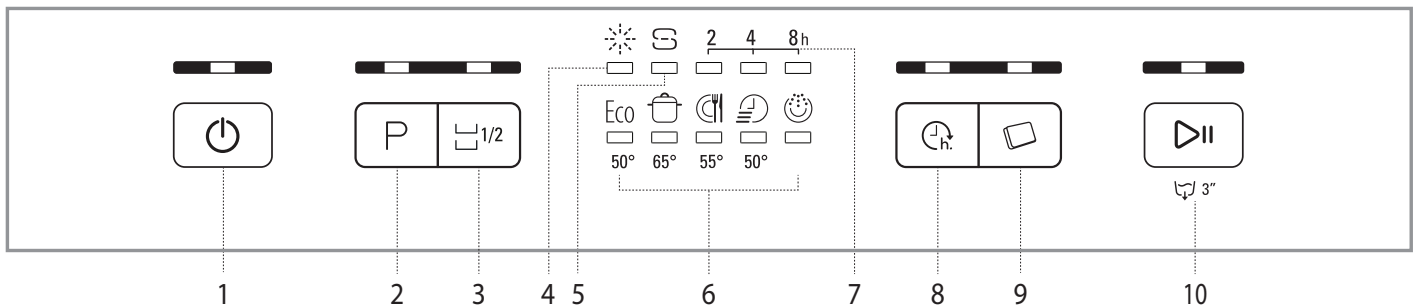
PRODUCT DESCRIPTION

APPLIANCE



1. Upper rack
2. Foldable flaps
3. Upper rack height adjuster
4. Upper spray arm
5. Lower rack
6. Cutlery basket
7. Lower spray arm
8. Filter Assembly
9. Salt reservoir
10. Detergent and Rinse Aid dispensers
11. Rating plate
12. Control panel

CONTROL PANEL



1. On-Off/Reset button with indicator light
2. Program selection button with indicator light
3. Half Load button with indicator light
4. Rinse Aid refill indicator light
5. Salt refill indicator light
6. Program indicator lights
7. Delay indicator light
8. Delay button with indicator light
9. Tablet (Tab) button with indicator light
10. Start/Pause button with indicator light / Drain out

FIRST TIME USE

SALT, RINSE AID AND DETERGENT


ADVICE REGARDING THE FIRST TIME USE

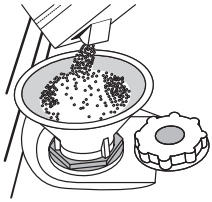
After installation, remove the stoppers from the racks and the retaining elastic elements from the upper rack.

FILLING THE SALT RESERVOIR

The use of salt prevents the formation of LIMESCALE on the dishes and on the machine's functional components.

- It is mandatory that **THE SALT RESERVOIR NEVER BE EMPTY**.
- It is important to set the water hardness.

The salt reservoir is located in the lower part of the dishwasher (see *PRODUCT DESCRIPTION*) and must be filled when the **SALT REFILL indicator light**  in the control panel is lit.



1. Remove the lower rack and unscrew the reservoir cap (anticlockwise).
2. **Only the first time you do this: fill the salt reservoir with water.**
3. Position the funnel (see figure) and fill the salt reservoir right up to its edge (approximately 1 kg); it is not unusual for a little water to leak out.





4. Remove the funnel and wipe any salt residue away from the opening. Make sure the cap is screwed on tightly, so that no detergent can get into the container during the wash program (this could damage the water softener beyond repair).

Whenever you need to add salt, it is mandatory to complete the procedure before the beginning of the washing cycle to avoid corrosion.

SETTING THE WATER HARDNESS

To allow the water softener to work in a perfect way, it is essential that the water hardness setting is based on the actual water hardness in your house. This information can be obtained from your local water supplier. The factory sets the default value for the water hardness.

- Switch on the appliance by pressing the **ON/OFF** button.
- Switch off the appliance by pressing the **ON/OFF** button.
- Hold down button **START/Pause** for 5 seconds, until you hear a beep.
- Switch on the appliance by pressing the **ON/OFF** button.
- The program indicator light of the current set level flashes.
- Press button **P** to select the desired hardness level (see *WATER HARDNESS TABLE*).

Water Hardness Table					
Level			°dH German degrees	°fH French degrees	°Clark English degrees
1	Soft	ECO	0 - 6	0 - 10	0 - 7
2	Medium		7 - 11	11 - 20	8 - 14
3	Average		12 - 16	21 - 29	15 - 20
4	Hard		17 - 34	30 - 60	21 - 42
5	Very hard		35 - 50	61 - 90	43 - 62

- Switch off the appliance by pressing the **ON/OFF** button.

Setting is complete!

As soon as this procedure is complete, run a program without loading.

Only use salt that has been specifically designed for dishwashers.

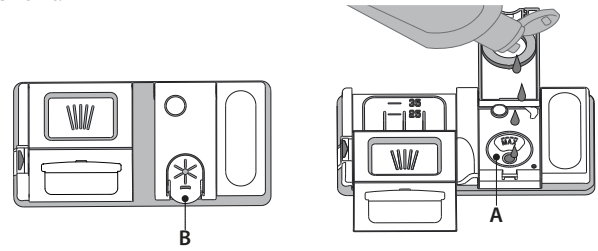
After the salt has been poured into the machine, the SALT REFILL indicator light switches off.

If the salt container is not filled, the water softener and the heating element may be damaged as a result of limescale accumulation.

Using of Salt is recommended with any type of dishwasher detergent.

FILLING THE RINSE AID DISPENSER

Rinse aid makes dish DRYING easier. The rinse aid dispenser **A** should be filled when the **RINSE AID REFILL**  indicator light in the control panel is lit.



1. Open the dispenser **B** by pressing and pulling up the tab on the lid.
 2. Pour in the rinse aid (max.110 ml), making sure it does not overflow from the dispenser. If this happens, clean the spill immediately with a dry cloth.
 3. Press the lid down until you hear a click to close it.
- NEVER pour the rinse aid directly into the appliance tub.**

ADJUSTING THE DOSAGE OF RINSE AID

If you are not completely satisfied with the drying results, you can adjust the quantity of rinse aid used.

- Switch the dishwasher on using the **ON/OFF** button.
- Switch it off using the **ON/OFF** button.
- Press button **START/Pause** three times - a beep will be heard.
- Switch it on using the **ON/OFF** button.
- The program indicator light of the current set level flashes.
- Press button **P** to select the level of rinse aid quantity to be supplied.
- Switch it off using the **ON/OFF** button

Setting is complete!

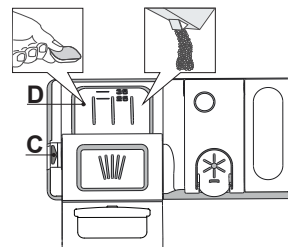
If the rinse aid level is set to 1 (ECO), no rinse aid will be supplied. The LOW RINSE AID indicator light will not be lit if you run out of rinse aid.

A maximum of 5 levels can be set according to the dishwasher model. The factory setting is specific to the model, please follow instruction above to check this for your machine.

- If you see bluish streaks on the dishes, set a low number (2-3).
- If there are drops of water or limescale marks on the dishes, set a mid-range number (4-5).

FILLING THE DETERGENT DISPENSER

To open the detergent dispenser use the opening device C. Introduce the detergent into the dry dispenser D only. Place the amount of detergent for pre-washing directly inside the tub.



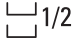



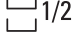
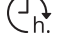


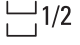






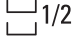
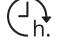
1. When measuring out the detergent refer to the mentioned earlier information to add the proper quantity. Inside the dispenser **D** there are indications to help the detergent dosing.
2. Remove detergent residues from the edges of the dispenser and close the cover until it clicks.
3. Close the lid of the detergent dispenser by pulling it up until the closing device is secured in place.

The detergent dispenser automatically opens up at the right time according to the program.

If all-in-one detergents are used, we recommend using the **TABLET** button, because it adjusts the program so that the best washing and drying results are always achieved.

Usage of detergent not designed for dishwashers may cause malfunction or damage to the appliance.

PROGRAMS TABLE

Program	Drying phase	Available options ^{*)}	Duration of wash program (h:min) ^{**)}	Water consumption (litres/cycle)	Energy consumption (kWh/cycle)
1. Eco Eco 50°	✓	 1/2  	3:35	9.5	0.95
2. Intensive  65°	✓	 1/2  	2:40	18.0	1.60
3. Mixed  55°	✓	 1/2  	2:15	16.0	1.40
4. Rapid 28'  50°	✗	 	0:28	9.0	0.50
5. Soak  -	✗	 1/2 	0:12	4.7	0.01

ECO program data is measured under laboratory conditions according to European Standard EN 60436:2020.

Note for Test Laboratories:

For information on comparative EN testing conditions, please send an email to the following address: dw_test_support@europeanappliances.com

Pre-treatment of the dishes is not needed before any of the programs.

*) Not all options can be used simultaneously.

**) Values given for programs other than the program Eco are indicative only. The actual time may vary depending on many factors such as temperature and pressure of the incoming water, room temperature, amount of detergent, quantity and type of load, load balancing, additional selected options and sensor calibration. The sensor calibration can increase program duration up to 20 min.

PROGRAMS DESCRIPTION

Instructions on wash cycle selection.

1 ECO

Eco programme is suitable to clean normally soiled tableware, that for this use, it is the most efficient programme in terms of its combined energy and water consumption, and that it is used to assess compliance with the EU Ecodesign legislation.

2 INTENSIVE

Program recommended for heavily soiled crockery, especially suitable for pans and saucepans (not to be used for delicate items).

3 MIXED

Mixed soil. For normally soiled dishes with dried food residues.

4 RAPID 28'

Program to be used for half load of lightly-soiled dishes with no dried food residues. Does not include drying phase.

5 SOAK

Use to refresh crockery planned to be washed later. No detergent to be used with this program.

Notes:

Please note that cycle *Rapid 28'* is dedicated for lightly soiled dishes.

OPTIONS AND FUNCTIONS

OPTIONS can be selected directly by pressing the corresponding button (see CONTROL PANEL).

If an option is not compatible with the selected program see PROGRAMS TABLE, the corresponding LED flashes rapidly 3 times and beeps will sound. The option will not be enabled.

1/2 HALF LOAD

If there are not many dishes to be washed, a half load cycle may be used in order to save water, electricity and detergent. Select the program and press the HALF LOAD button: the indicator light will light up. Press the HALF LOAD button to deselect this option.

Remember to halve the amount of detergent.

DELAY

It is possible to delay the start time of the program by **2, 4 or 8** hours:

1. After selecting the desired program and any other options, press the DELAY button. The indicator light will go on.
2. Select the desired delay time by pressing the DELAY button repeatedly. The 2 hours, 4 hours and 8 hours indicator lights will go on in succession. If the DELAY button is pressed again, the option is deselected and the indicator light goes off.
3. After the selection process, the countdown will begin if the START/PAUSE button is pressed. The selected delay-period indicator light is on and the Start/Pause button lights up (fixed light).
4. Once this time has elapsed, the DELAY indicator light goes off and the program begins.

The DELAY function cannot be set once a program has started.

TABLET (Tab)

This setting allows you to optimize the performance of the program according to the type of detergent used. Press the TABLET button (the indicator light will light up) if you use combined detergents in tablet form (rinse aid, salt and detergent in 1 dose).

If you use powder or liquid detergent, this option should be off.

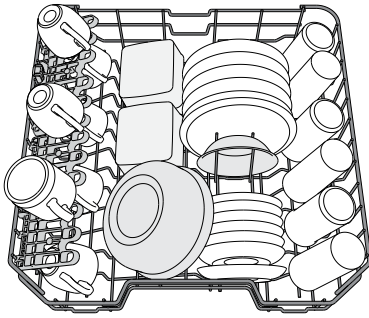
DRAIN OUT

To stop and cancel the active cycle, the DRAIN OUT function can be used.

A long press of START/PAUSE button, will activate the DRAIN OUT function. The active program will be stopped and the water in the dishwasher will be drained out.

LOADING THE RACKS

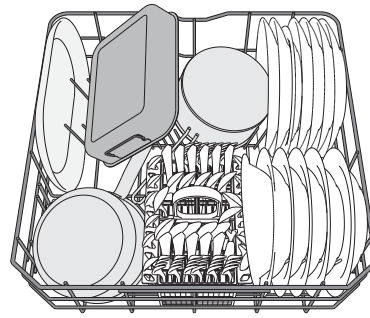
UPPER RACK



(loading example for the upper rack)

Load delicate and light dishes: glasses, cups, saucers, low salad bowls.

LOWER RACK



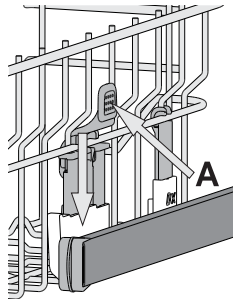
(loading example for the lower rack)

For pots, lids, plates, salad bowls, cutlery etc. Large plates and lids should ideally be placed at the sides to avoid interferences with the spray arm.

ADJUSTING THE HEIGHT OF THE UPPER RACK

The height of the upper basket can be adjusted: high position to place bulky crockery in the lower basket and low position to make the most of the tip-up compartments by creating more space upwards.

The upper rack is equipped with a **Upper Rack height adjuster** (see figure), without pressing the levers, lift it up by simply holding the rack sides, as soon as the rack is stable in its upper position. To restore to the lower position, press the levers (A) at the sides of the rack and move the basket downwards.



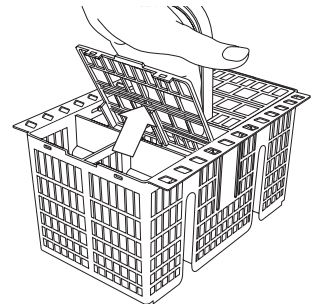
We strongly recommend that you do not adjust the height of the rack when it is loaded.

NEVER raise or lower the basket on one side only.

CUTLERY BASKET

The basket is equipped with top grilles for improved cutlery arrangement. The cutlery basket should be positioned only at the front of the lower rack.

Knives and other utensils with sharp edges must be placed in the cutlery basket with the points facing downwards or they must be positioned horizontally in the tip-up compartments on the upper rack.



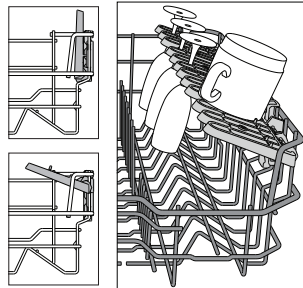
FOLDABLE FLAPS WITH ADJUSTABLE POSITION

The side foldable flaps can be fold or unfold to optimize the arrangement of crockery inside the rack.

Wine glasses can be placed safely in the foldable flaps by inserting the stem of each glass into the corresponding slots.

Depending on the model:

- to unfold the flaps there is needed to slide it up and rotate or release it from the snaps and pull it down.
- to fold the flaps there is needed to rotate it and slide flaps down or pull it up and attach flaps to the snaps.



DAILY USE

1. CHECK WATER CONNECTION

Check that the dishwasher is connected to the water supply and that the tap is open.

2. SWITCH ON THE DISHWASHER

Press the **ON/OFF** button.

3. LOAD THE RACKS (see *LOADING THE RACKS*)

4. FILLING THE DETERGENT DISPENSER

5. CHOOSE THE PROGRAM AND CUSTOMISE THE CYCLE

Select the most appropriate program in accordance with the type of crockery and its soiling level (see *PROGRAMS DESCRIPTION*) by pressing the **P** button.

Select the desired options (see *OPTIONS AND FUNCTIONS*).

6. START

Start the wash cycle by pressing the **START/PAUSE** button.

When the program starts you hear a beep.

7. END OF WASH CYCLE

The end of the wash cycle is indicated by beeps and by the flashing of the wash cycle indicator on the panel. Switch off the appliance by pressing the **ON/OFF** button and open the door.

Wait for a few minutes before removing the crockery - to avoid burns. Unload the racks, beginning with the lower one.

The machine will switch off automatically during certain extended periods of inactivity, in order to minimise electricity consumption. If the crockery is only lightly soiled or if it has been rinsed with water before being placed in the dishwasher, reduce the amount of detergent used accordingly.

MODIFYING A RUNNING PROGRAM

If a wrong program was selected, it is possible to change it, provided that it has only just begun: press and hold the **ON/OFF** button, the machine will switch off. Switch the machine back on using the **ON/OFF** button and select the new wash cycle and any desired options; start the cycle by pressing the **START/PAUSE** button.

ADDING EXTRA CROCKERY

Without switching off the machine, open the door (**be ware of HOT steam!**) and place the crockery inside the dishwasher. Close the door and press the **START/PAUSE** button the cycle will begin from the point at which it was interrupted.

ACCIDENTAL INTERRUPTIONS

If the door is opened during the wash cycle, or if there is a power cut, the cycle stops. Once the door has been closed or the electricity supply is restored, to start again the cycle from where it was interrupted, press the **START/PAUSE** button.

ADVICE AND TIPS

TIPS

Before loading the baskets, remove all food residues from the crockery and empty the glasses. **You do not need to rinse beforehand under running water.**

Arrange the crockery so that it is held in place firmly and does not tip over; and arrange the containers with the openings facing downwards and the concave/convex parts placed obliquely, thus allowing the water to reach every surface and flow freely.

Warning: lids, handles, trays and frying pans do not prevent the sprayer arms from rotating.

Place any small items in the cutlery basket.

Very soiled dishes and pans should be placed in the lower basket

because in this sector the water sprays are stronger and allow a higher washing performance.

After loading the appliance, make sure that the sprayer arms can rotate freely.

UNSUITABLE CROCKERY

- Wooden crockery and cutlery.
- Delicate decorated glasses, artistic handicraft and antique crockery. Their decorations are not resistant.
- Parts in synthetic material which do not withstand high temperatures.
- Copper and tin crockery.
- Crockery soiled with ash, wax, lubricating grease or ink.

The colours of glass decorations and aluminium/silver pieces can change and fade during the washing process. Some types of glass (e.g. crystal objects) can become opaque after a number of wash cycles too.

DAMAGE TO GLASS AND CROCKERY

- Only use glasses and porcelain guaranteed by the manufacturer as dishwasher safe.
- Use a delicate detergent suitable for crockery
- Collect glasses and cutlery from the dishwasher as soon as the wash cycle is over.

TIPS ON ENERGY SAVING

- When the household dishwasher is used according to the manufacturer's instructions, **washing tableware in a dishwasher usually consumes less energy and water than hand dishwashing.**
- In order to maximize dishwasher efficiency it is recommended to **initiate the wash cycle once dishwasher is fully loaded.** Loading the household dishwasher up to the capacity indicated by the manufacturer will contribute to energy and water savings. Information on correct loading of tableware can be found in Loading chapter.
In case of partial loading it is recommended to use dedicated wash options if available (Half load/ Zone Wash, Multi Zone), filling up only selected racks. Incorrect loading or overloading the dishwasher may increase resources usage (such as water, energy and time, as well as increase noise level), reducing cleaning and drying performance.
- Manual pre-rinsing of tableware items leads to increased water and energy consumption and is not recommended.

HYGIENE

To avoid odour and sediment which can be accumulated in the dishwasher **please run a high temperature program at least one a month.** Use a tea spoon of detergent and run it without the loading to clean your appliance.

CARE AND MAINTENANCE

CLEANING THE FILTER ASSEMBLY

Regularly clean the filter assembly so that the filters do not clog and that the waste water flows away correctly.

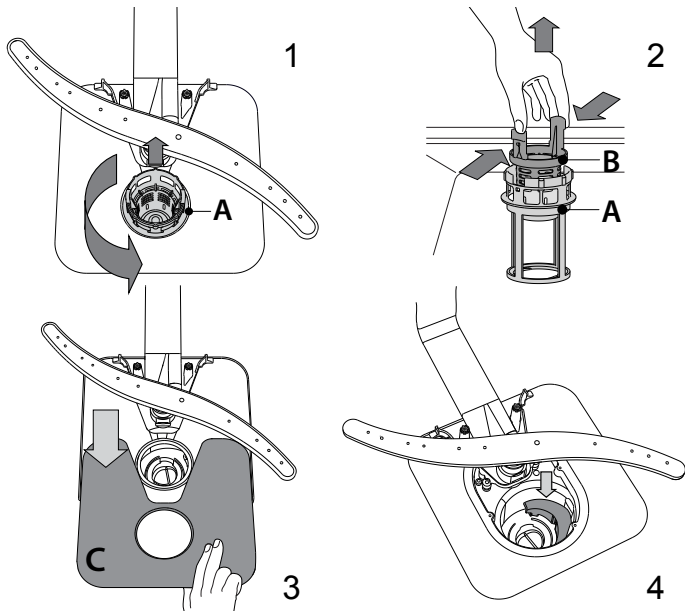
Using dishwasher with clogged filters or foreign objects inside filtration system or sprayarms may cause unit malfunction resulting in lose of performance, noisy work or higher resources usage.

The filter assembly consists of three filters which remove food residues from the washing water and then recirculate the water.

The dishwasher must not be used without filters or if the filter is loose.

At least once per month or after each 30 cycles, check the filter assembly and if necessary clean it thoroughly under running water, using a non-metallic brush and following the instructions below:

1. Turn the cylindrical filter **A** in an anti-clockwise direction and pull it out (Fig 1).
2. Remove the cup filter **B** by exerting a slight pressure on the side flaps (Fig 2).
3. Slide out the stainless-steel plate filter **C** (Fig 3).
4. In case you find foreign objects (such as broken glass, porcelain, bones, fruit seeds etc.) **please remove them carefully**.
5. Inspect the trap and remove any food residues. **NEVER REMOVE** the wash-cycle pump protection (black detail) (Fig 4).



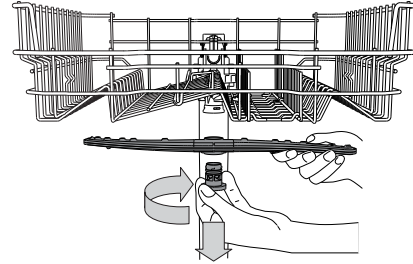
After cleaning the filters, replace the filter assembly and fix it in position correctly; this is essential for maintaining the efficient operation of the dishwasher.

CLEANING THE WATER INLET HOSE

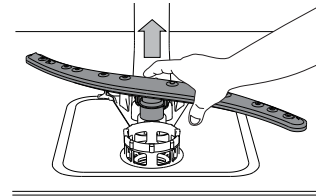
If the water hoses are new or have not been used for an extended period of time, let the water run to make sure it is clear and free of impurities before performing the necessary connections. If this precaution is not taken, the water inlet could become blocked and damage the dishwasher.

CLEANING THE SPRAY ARMS

On occasions, food residue may become encrusted onto the spray arms and block the holes used to spray the water. It is therefore recommended that you check the arms from time to time and clean them with a small non-metallic brush.



To remove the upper spray arm, turn the plastic locking ring in a clockwise direction. The upper spray arm should be replaced so that the side with the greater number of holes is facing upwards.



The lower spray arm may be removed by pulling it upwards.

WATER SOFTENING SYSTEM

Water softener automatically reduces water hardness, consequently preventing scale buildup on heater, contributing also to better cleaning efficiency.

This system regenerates itself with salt, therefore it is required to refill salt container when empty.



Frequency of regeneration depends on water hardness level setting - regeneration takes place once per **6** Eco cycles with water hardness level set to **3**.

Regeneration process starts in final rinse and finishes in drying phase, before cycle ends.

- Single regeneration consumes: ~3.5L of water;
- Takes up to 5 additional minutes for the cycle;
- Consumes below 0.005kWh of energy.

TROUBLESHOOTING

In case your dishwasher doesn't work properly, check if the problem can be solved by going through the following list. For other errors or issues please contact authorized After-sales Service which contact details can be found in the warranty booklet. Spare parts will be available for a period of either up to 7 or up to 10 years, according to the specific Regulation requirements.

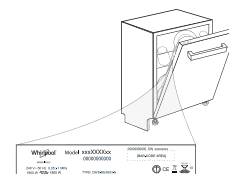
PROBLEMS	POSSIBLE CAUSES	SOLUTIONS
 Salt indicator is lit	Salt reservoir is empty (after refill the salt indicator may remain lit for several wash cycles).	Refill reservoir with salt (for more information - see page 2). Adjust water hardness (see table, page 2).
 Rinse aid indicator is lit	Rinse aid dispenser is empty (after refill the rinse aid indicator may remain lit for several wash cycles).	Refill dispenser with rinse aid (for more information - see page 2).
The dishwasher won't start or does not respond to commands.	The appliance has not been plugged in properly.	Insert the plug into the socket.
	Power outage.	For safety reasons, dishwasher will not restart automatically when power returns. Press the START/Pause button to resume the cycle.
	The dishwasher door is not closed.	Vigorously push the door until you hear the "click"
	Cycle is interrupted by door opening for > 4 sec.	Close the door and press the START/Pause button.
The dishwasher won't drain.	It does not respond to commands.	Switch off the appliance by pressing the ON/OFF button, switch it back on after approximately one minute and restart the program. If problem persists, unplug the appliance for 1 minute, then plug it back in.
	The wash cycle has not finished yet.	Wait until the wash cycle finishes.
	The drain hose is bent.	Check that the drain hose is not bent (see <i>INSTALLATION INSTRUCTION</i>).
	The sink drain pipe is blocked.	Clean the sink drain pipe.
The dishwasher makes excessive noise.	The filter is clogged up with food residues.	Clean the filter (see <i>CLEANING THE FILTER ASSEMBLY</i>).
	The dishes are rattling against each other.	Position the crockery correctly (see <i>LOADING THE RACKS</i>).
The dishes are not clean.	An excessive amount of foam has been produced.	The detergent has not been measured out correctly or it is not suitable for use in dishwashers (see <i>FILLING THE DETERGENT DISPENSER</i>). Restart dishwasher by pressing the DRAIN button (see <i>OPTIONS AND FUNCTIONS</i>) and run new program without detergent.
	The crockery has not been arranged properly.	Arrange the crockery correctly (see <i>LOADING THE RACKS</i>).
	The spray arms cannot rotate freely, being hindered by the dishes.	Arrange the crockery correctly (see <i>LOADING THE RACKS</i>).
	The wash cycle is too gentle.	Select an appropriate wash cycle (see <i>PROGRAMS TABLE</i>).
	An excessive amount of foam has been produced.	The detergent has not been measured out correctly or it is not suitable for use in dishwashers (see <i>FILLING THE DETERGENT DISPENSER</i>).
	The cap on the rinse aid compartment has not been shut correctly.	Make sure the cap of the rinse aid dispenser is closed.
The dishwasher does not fill the water. All LEDs are blinking rapidly	The filter is soiled or clogged.	Clean the filter assembly (see <i>CARE AND MAINTENANCE</i>).
	There is no salt.	Fill the salt reservoir (see <i>FILLING THE SALT RESERVOIR</i>).
	No water in the water supply or the tap is closed.	Make sure there is water in the water supply or the tap running.
Dishwasher finishes the cycle prematurely.	The inlet hose is bent.	Make sure the inlet hose is not bent (see <i>INSTALLATION</i>) reprogram the dishwasher and reboot.
	The sieve in the water inlet hose is clogged; it is necessary to clean it.	After having carried out the verification and cleaning, turn off and turn on the dishwasher and restart a new program.
Detergent leaks.	Drain hose positioned too low or siphoning into home sewage system.	Check if end of drain hose is placed at correct height (see <i>INSTALLATION</i>). Check for siphoning into home sewage system, install air admittance valve if necessary.
	Air in water supply.	Check water supply for leaks or other issues letting air inside.
	Depends on the liquid detergent used and can be emphasized in case of delay option is activated.	Small leaks will not cause machine malfunction and can be avoided by changing liquid detergent type or using tablets.

Policies, standard documentation, ordering of spare parts and additional product information can be found by:

- Using QR code on your product.
- Visiting our website docs.hotpoint.eu and parts-selfservice.europeanappliances.com
- Alternatively, **contact our After-sales Service** (See phone number in the warranty booklet).

When contacting our After-sales Service, please state the codes provided on your product's identification plate.

The model information can be retrieved using the QR-Code reported in the energy label. The label also includes the model identifier that can be used to consult the portal of the registry at <https://eprel.ec.europa.eu>.



РЪКОВОДСТВО ЗА ВСЕКИДНЕВНА СПРАВКА



БЛАГОДАРИМ ВИ, ЧЕ ЗАКУПИХТЕ ПРОДУКТ НА HOTPOINT ARISTON. За да получавате по-пълно съдействие, регистрирайте Вашия уред на: www.hotpoint.eu/register

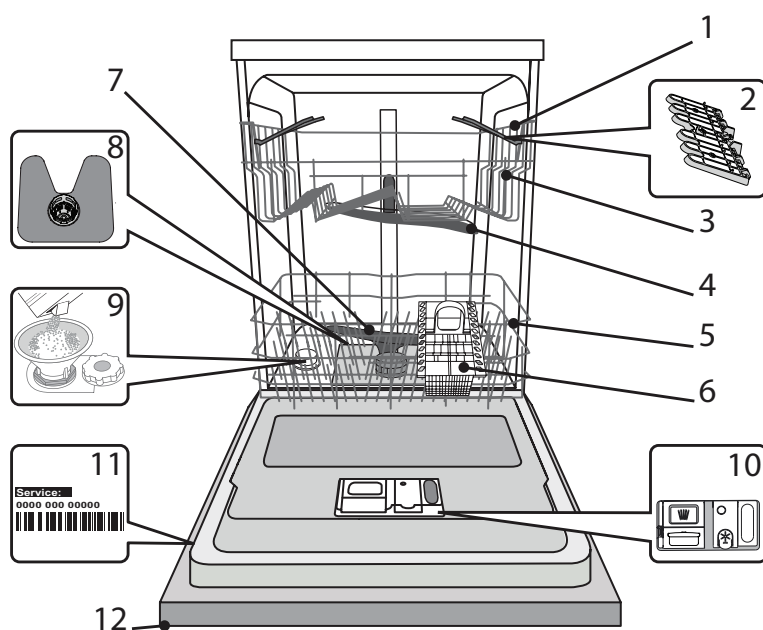
ЗА ПОЛУЧАВАНЕ НА ПО-ПОДРОБНА ИНФОРМАЦИЯ, МОЛЯ, СКАНИРАЙТЕ QR КОДА НА ВАШИЯ УРЕД



⚠ Преди да използвате уреда, прочетете внимателно Инструкциите за безопасност.

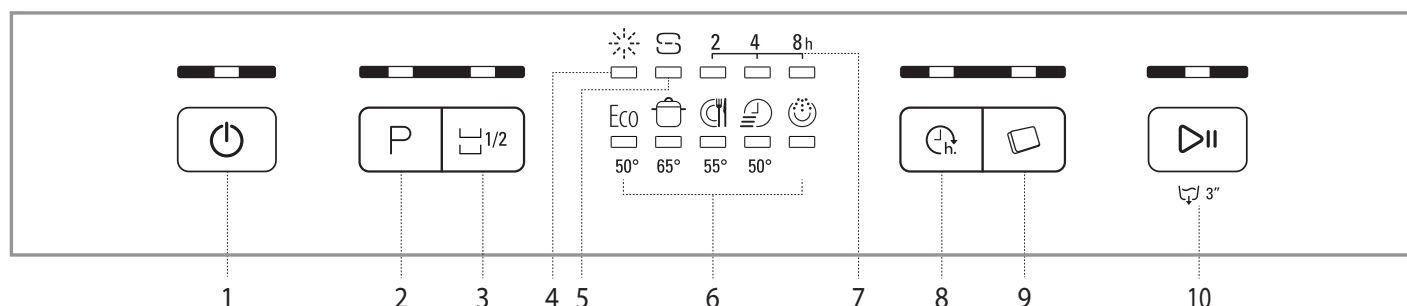
ОПИСАНИЕ НА ПРОДУКТА

УРЕД



1. Горна кошница
2. Сгъваеми капаци
3. Регулатор за височината на горната кошница
4. Горно разпръскващо рамо
5. Долна кошница
6. Кошничка за прибори
7. Долно разпръскващо рамо
8. Филтърен възел
9. Резервоар за сол
10. Дозатори за препарат и помощно средство за изплакване
11. Табелка с данни
12. Контролен панел

КОНТРОЛЕН ПАНЕЛ



1. Бутон вкл./изкл./reset с индикаторна лампа
2. Бутон за избор на програмата с индикаторна лампа
3. Бутон за програмата за Половин зареждане с индикаторна лампа
4. Индикаторна лампа за нивото на гланца
5. Индикаторна лампа за нивото на солта
6. Индикаторни лампи за програмите
7. Индикаторна лампа за Отложен старт
8. Бутон за Отложен старт с индикаторна лампа
9. Бутон за Таблетки (Tab) с индикаторна лампа
10. Бутон Старт/Пауза със светлинен индикатор /отвеждане на водата

Hotpoint

ARISTON

УПОТРЕБА ЗА ПРЪВ ПЪТ

СОЛ, ПОМОЩНО СРЕДСТВО ЗА ИЗПЛАКВАНЕ И ПОЧИСТВАЩ ПРЕПАРАТ

СЪВЕТИ ЗА УПОТРЕБА ЗА ПЪРВИ ПЪТ

След монтаж отстранете блокиращите елементи от кошниците и задържащите ластици от горната кошница.

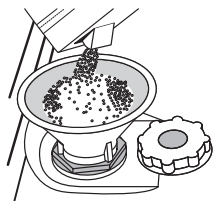
ЗАРЕЖДАНЕ НА РЕЗЕРВОАРА ЗА СОЛ

Използването на сол предотвратява образуването на КОТЛЕН КАМЪК по съдовете и функционалните компоненти на машината.

• Задължително е **РЕЗЕРВОАРЪТ ЗА СОЛ НИКОГА ДА НЕ ОСТАВА ПРАЗЕН.**

• Важно е да зададете твърдостта на водата.

Резервоарът за сол се намира в долната част на миялната машина (вж. „ОПИСАНИЕ НА ПРОДУКТА“) и трябва да се допълва, когато **индикаторът ДОПЪЛВАНЕ НА СОЛ** на контролния панел светне.



1. Отстранете долната кошница и развийте капачката на резервоара (обратно на часовниковата стрелка).
2. **Само първия път правите това: напълнете резервоара за сол с вода.**
3. Поставете фунията (вж. фигурата) и напълнете резервоара за сол до ръба (около 1 kg); Не е необичайно да изтече малко вода.

4. Отстранете фунията и забършете остатъците от сол от отвора. Уверете се, че капачката е завита здраво, така че по време на програмата за миене препаратът да не може да влезе в резервоара (това може да повреди непоправимо омекотителя за вода).

Когато е необходимо да добавите сол, е задължително да направите това преди започване на цикъла на измиване, за да се избегне корозия.

НАСТРОЙВАНЕ НА ТВЪРДОСТТА НА ВОДАТА

За да може омекотителят за вода да работи идеално, е особено важно настройката за твърдостта на водата да се базира на реалната твърдост на водата в дома ви. Можете да получите тази информация от местния си доставчик на вода.

Нивото по подразбиране за твърдост на водата е фабрично зададено.

- Включете уреда, като натиснете бутон **ВКЛ./ИЗКЛ.**
- Изключете уреда, като натиснете бутон **ВКЛ./ИЗКЛ.**
- Натиснете и задръжте бутон **СТАРТ/Пауза** за 5 секунди, докато чуete звуков сигнал.
- Включете уреда, като натиснете бутон **ВКЛ./ИЗКЛ.**
- Ще светне индикаторната лампа на актуално избраното ниво.
- Натиснете бутон **P**, за да изберете желаното ниво на твърдост (вж. ТАБЛИЦА НА ТВЪРДОСТТА НА ВОДАТА).

Таблица на твърдостта на водата

Ниво		°dH Германски градуси	°fH Френски градуси	°Clark Английски градуса
1	Мека	0 - 6	0 - 10	0 - 7
2	Умерена	7 - 11	11 - 20	8 - 14
3	Средна	12 - 16	21 - 29	15 - 20
4	Твърда	17 - 34	30 - 60	21 - 42
5	Много твърда	35 - 50	61 - 90	43 - 62

• Изключете уреда, като натиснете бутон **ВКЛ./ИЗКЛ.**

Настройката е завършена!

Веднага след завършването на процедурата пуснете програмата без съдове.

Използвайте само сол, която е предназначена специално за съдомиялни машини.

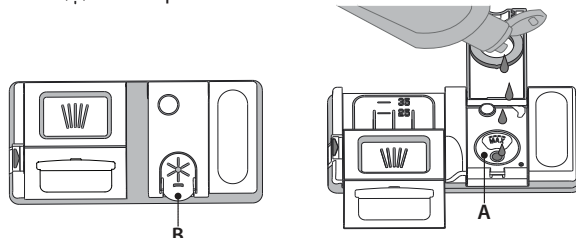
След като поставите сол в машината, светлинният индикатор ЗАРЕЖДАНЕ НА СОЛ се изключва.

Ако контейнерът за сол не бъде напълнен, възможно е в резултат на натрупване на варовик да се повреди омекотителят за вода и нагревателният елемент.

Използването на сол е препоръчително с всякакъв тип миялен препарат.

ЗАРЕЖДАНЕ НА ДОЗАТОРА ЗА ПОМОЩНО СРЕДСТВО ЗА ИЗПЛАКВАНЕ

Помощното средство за изплакване улеснява СУШЕНЕТО. Дозаторът за помощното средство за изплакване **A** трябва да се пълни, когато **светлинният индикатор ЗАРЕЖДАНЕ НА ПОМОЩНО СРЕДСТВО ЗА ИЗПЛАКВАНЕ** на контролния панел светне.



1. Отворете дозатора **B**, като натиснете и дръпнете нагоре издатината на капака.
2. Внимателно добавете помощното средство за изплакване до максималната (110 ml) референтна маркировка на мястото за пълнене - избягвайте да разливате. Ако това се случи, почистете разливането незабавно със суха кърпа
3. Натиснете капака надолу, докато чуete щракване, за да го затворите. **НИКОГА не наливайте помощното средство за изплакване направо във ваничката.**

РЕГУЛИРАНЕ НА ДОЗИРАНЕТО НА ПОМОЩНОТО СРЕДСТВО ЗА ИЗПЛАКВАНЕ

Ако не сте напълно доволни от резултатите от сушенето, можете да регулирате използваното количество помощно средство за изплакване.

- Включете съдомиялната машина с бутон **ВКЛ./ИЗКЛ.**
- Изключете я с бутон **ВКЛ./ИЗКЛ.**
- Натиснете бутон **СТАРТ/Пауза** три пъти - ще чуete звуков сигнал.
- Включете я с бутон **ВКЛ./ИЗКЛ.**
- Ще светне индикаторната лампа на актуално избраното ниво.
- Натиснете бутон **P**, за да изберете желаното ниво на количеството помощно средство за изплакване.
- Изключете я с бутон **ВКЛ./ИЗКЛ.**

Настройката е завършена!

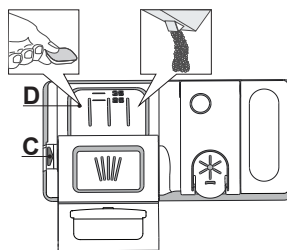
Ако нивото на помощното средство за изплакване е зададено на 1 (ЕКО), няма да се подава помощно средство за изплакване. Светлинният индикатор **НИСКО НИВО НА ПОМОЩНОТО СРЕДСТВО ЗА ИЗПЛАКВАНЕ** няма да светне, ако помощното средство се изчерпи.

Според модела на съдомиялната машина могат да се задават максимум 5 нива. Фабричната настройка е специфична за всеки модел; следвайте инструкциите по-горе, за да проверите отнася ли се настройката за Вашата машина.

- Ако видите синкави петна по съдовете, задайте нисък номер (2-3).
- Ако по съдовете има капки вода или следи от котлен камък, задайте висок номер (4-5).

ЗАРЕЖДАНЕ НА ДОЗАТОРА ЗА МИЯЛЕН ПРЕПАРАТ

За да отворите дозатора за препарат, използвайте приспособление **C**. Налейте препаратта само в сухия дозатор **D**. Поставете количеството препарат за предварително измиване направо във ваничката.

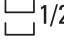
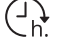


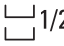



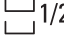
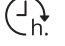





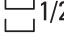
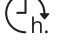



1. При измерване на препаратта правете справка със споменатата информация по-горе, за да добавите подходящо количество. в дозатора **D** има индикатори, за да помогнат за дозирането на миялния препарат.
2. Отстранете остатъците от препарат от ръбовете на дозатора и затворете капака, докато щракне.
3. Затворете капака на дозатора за препарат, като го дръпнете нагоре, докато приспособлението за затваряне се закрепва на място.

Дозаторът за препарат се отваря автоматично в правилния момент според програмата. Ако се използват нефункционални препарати, препоръчваме да използвате бутон **ТАБЛЕТКА**, тъй като той регулира програмата за постигане на винаги най-добри резултати при миене и сушене.

Използването на миялен препарат, който не е предназначен за съдомиялни машини, може да причини неизправност или повреда на уреда.

ТАБЛИЦА НА ПРОГРАМИТЕ

Програма	Фаза на сушене	Налични опции ^{*)}	Времетраене на програмата за миене (ч:мин) ^{**)}	Потребление на вода (литра/програма)	Потребление на енергия (kWh/програма)
1. Еко Eco 50°	✓	  	3:35	9,5	0,95
2. Интензивна  65°	✓	  	2:40	18,0	1,60
3. Смесено  55°	✓	  	2:15	16,0	1,40
4. Бърза 28'  50°	✗	 	0:28	9,0	0,50
5. Накисване  -	✗	  	0:12	4,7	0,01

Данните за програмата ЕКО са измерени в лабораторни условия съгласно Европейски стандарт EN 60436:2020.

Бележки за тестовите лаборатории: за информация относно сравнимите с EN тестови условия изпратете имейл на следния адрес: dw_test_support@europeanappliances.com.

Не е необходимо предварително третиране на съдовете преди пускане на която и да било програма.

*) Не всички опции могат да се използват едновременно.

**) Стойностите, дадени за програмите, с изключение на програмата Еко, са само ориентировъчни. Реалното време може да се различава в зависимост от множество фактори, като температурата и налягането на подаваната вода, температурата в помещението, количеството препарат, количеството и вида на зареждането, балансирането на зареждането, допълнителните избрани опции и калибрирането на сензора. Калибрирането на сензора може да увеличи продължителността на програмата с до 20 мин.

ОПИСАНИЕ НА ПРОГРАМИТЕ

Указания за избор на програма за миене.

1 ЕКО

Програмата Еко е подходяща за почистване на нормално замърсена домакинска посуда, като използвана по този начин, програмата е най-ефективна по отношение на комбинираното потребление на енергия и вода и отговаря на законодателството на ЕС по отношение на екологичния дизайн.

2 ИНТЕНЗИВНА

Програма, препоръчвана за силно замърсени съдове, особено подходяща за тигани и тенджери (да не се използва за фини изделия).

3 СМЕСЕНО

Смесени замърсявания. За нормално замърсени съдове със засъхнали остатъци от храна.

4 БЪРЗА 28'

Програма, която да се използва при наполовина пълна съдомиялна или леко замърсени съдове без засъхнали остатъци от храна. Няма фаза на сушене.

5 НАКИСВАНЕ

Използва се за освежаване на съдовете, които ще бъдат измити по-късно. За тази програма не се използва препарат.

Забележки:

Имайте предвид, че програмата Бърза 28' е предназначена за леко замърсени съдове.

ОПЦИИ И ФУНКЦИИ

ОПЦИИ може да се избере директно чрез натискане на съответния бутон (вж. КОНТРОЛЕН ПАНЕЛ).

Ако дадена опция не е съвместима с избраната програма, вж. ТАБЛИЦА С ПРОГРАМИ, съответният светодиод премигва бързо 3 пъти и се чува звуков сигнал. Опцията не се активира.

1/2 ПОЛОВИН ЗАРЕЖДАНЕ

Ако имате за миене малко съдове, може да използвате цикъла за половин зареждане, за да спестите електрическа енергия и миещ препарат. Изберете програмата и включете бутон ПОЛОВИН ЗАРЕЖДАНЕ: ще светне съответната индикаторна лампа. За да изключите тази опция, трябва отново да натиснете бутон ПОЛОВИН ЗАРЕЖДАНЕ.

Не забравяйте да намалите количеството миещ препарат на половина.

ОТЛОЖЕН СТАРТ

Възможно е отлагане на старта на програмата с **2, 4** или **8** часа.

1. За тази цел след избора на програмата трябва да натиснете бутон ОТЛОЖЕН СТАРТ. Ще се включи индикаторната лампа.
2. Изберете времето за отлагане на старта, като няколкократно натиснете бутон ОТЛОЖЕН СТАРТ. Поредно ще бъдат показани всички възможни закъснения. 2 часа, 4 часа или 8 часа. След повторно натискане на бутон ОТЛОЖЕН СТАРТ опцията ще бъде изключена и индикаторната лампа ще изгасне.
3. След избиране на процеса ще започне отброяване на времето, ако е натиснат бутон СТАРТ/Пауза. Ще се включи индикаторната лампа на избрания период на закъснение и ще светне бутон СТАРТ/Пауза (с постоянна светлина).
4. След изтичане на зададеното време индикаторната лампа ще изгасне и програмата ще стартира

Функцията ОТЛОЖЕН СТАРТ не може да се включи, ако програмата вече е стартирала.

ТАБЛЕТКИ (Tab)

Тази настройка позволява оптимизиране на ефективността на програмата в зависимост от типа на използвания препарат. Натиснете бутона ТАБЛЕТКИ (светлинният индикатор светва), ако използвате комбинирани препарати във формата на таблетки (помощно средство за изплакване, сол и препарат в 1 доза).

Ако използвате препарат на прах или течен, тази опция следва да е изкл.

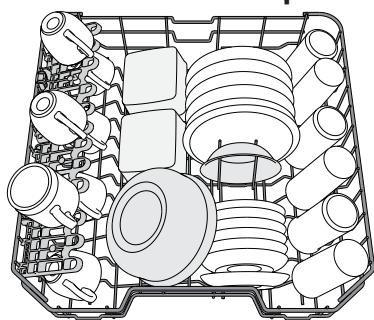
ИЗТОЧВАНЕ

За да спрете и отмените активната програма, можете да използвате функцията Източване.

С дълго натискане на бутона СТАРТ/Пауза се активира функцията ИЗТОЧВАНЕ. Активната програма се спира и водата в съдомиялната машина се източва.

ЗАРЕЖДАНЕ НА КОШНИЦИТЕ

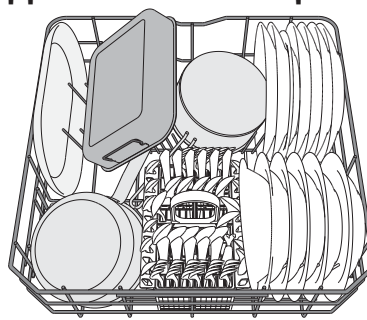
ГОРНА КОШНИЦА



(пример за зареждане на горната кошница)

Заредете деликатните и леки съдове: стъклени и порцеланови чаши, чинийки, ниски купи за салата.

ДОЛНА КОШНИЦА



(пример за зареждане на долната кошница)

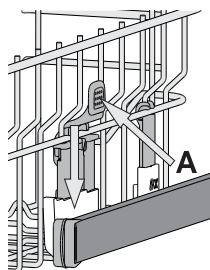
За тенджери, капаци, чинии, купи за салата и т.н.

Едрите чинии и капаци следва в идеалния случай да се поставят от страни, за да не възпрепятстват разпръскващото рамо.

РЕГУЛИРАНЕ НА ВИСОЧИНАТА НА ГОРНАТА КОШНИЦА

Височината на горната кошница може да се регулира: висока позиция за поставяне на обемни съдове в долната кошница и ниска позиция за пълноценно използване на наклонящите се опори, като се създава повече място нагоре и се избягва сблъскване с изделия в долната кошница.

Горната кошница е оборудвана с **Регулатор на височината на горната кошница** (вж. фигурата), без да натискате лостове, повдигнете нагоре, като просто хванете кошницата от страни веднага след като кошницата стане стабилна в по-високата си позиция.



За да възстановите по-ниската позиция, натиснете лостове **A** от страни на кошницата и преместете кошницата надолу.

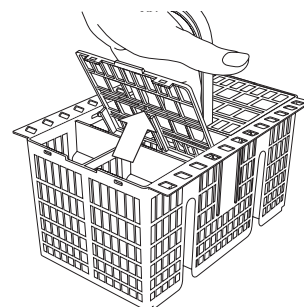
Силно препоръчваме да не регулирате височината на кошницата, когато е заредена.

НИКОГА не повдигайте или спускайте кошницата само от една страна.

КОШНИЧКА ЗА ПРИБОРИ

Оборудвана е с горни решетки за по-добро подреждане на приборите. Тя трябва да се позиционира само от предната страна на долната кошница.

Ножовете и другите прибори с остри ръбове трябва да се поставят в кошничката за прибори с остриетата надолу или да се позиционират хоризонтално в наклонящите се отделения на горната кошница.

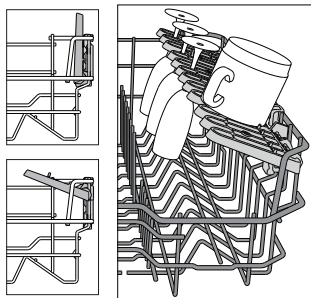


СГЪВАЕМИ КАПАЦИ С РЕГУЛИРУЕМА ПОЗИЦИЯ

Страничните капаци могат да се сгъват или разгъват, за да се оптимизира подреждането на съдовете в кошницата. Чашите за вино могат да се поставят безопасно в сгъваемите капаци, като столчето на всяка чаша се вмъкне в съответния процеп.

В зависимост от модела:

- за да разгънете капациите, е необходимо да ги плъзнете нагоре и да ги завъртите или да ги освободите от закопчалките им и да ги издърпате надолу.
- за да сгънете капациите, е необходимо да ги завъртите и да плъзнете капациите надолу или да ги дръпнете нагоре и да ги закачите за закопчалките.



ВСЕКИДНЕВНА УПОТРЕБА

1. ПРОВЕРКА НА ВОДНАТА ВРЪЗКА

Проверете дали съдомиялната машина е свързана към водопроводната мрежа и дали кранът е отворен.

2. ВКЛЮЧЕТЕ СЪДОМИЯЛНАТА МАШИНА

Натиснете бутона **ВКЛ./ИЗКЛ.**

3. ЗАРЕДЕТЕ КОШНИЦИТЕ

(вж. ЗАРЕЖДАНЕ НА КОШНИЦИТЕ)

4. ЗАРЕЖДАНЕ НА ДОЗАТОРА ЗА МИЯЛЕН ПРЕПАРАТ

5. ИЗБЕРЕТЕ ПРОГРАМАТА И ПЕРСОНАЛИЗИРАЙТЕ ПРОГРАМАТА

Изберете най-подходящата програма според вида на съдовете и нивото на замърсяване (вж. ОПИСАНИЕ НА ПРОГРАМИТЕ) чрез натискане на бутона **Р**.

Изберете желаните опции (вж. ОПЦИИ И ФУНКЦИИ).

6. СТАРТ

Стартирайте програмата, като натиснете бутона **СТАРТ/Пауза**. При стартирането на програмата се чува звуков сигнал.

7. КРАЯТ НА ПРОГРАМАТА

Краят на програмата се сигнализира със звукови сигнали и с мигащия светлинен индикатор на избраната програма. Отворете вратичката и изключете уреда, като натиснете бутона **ВКЛ./ИЗКЛ.**

Изчакайте няколко минути, преди да премахнете съдовете, за да избегнете изгаряния.

Извадете съдовете, като започнете от долната кошница.

Машината се изключва автоматично при определени продължителни периоди на неактивност, за да сведе до минимум потреблението на енергия.

Ако съдовете са само леко замърсени или ако са изплакнати с вода преди да се поставят в съдомиялната машина, намалете съответно количеството използван препарат.

МОДИФИЦИРАНЕ НА РАБОТЕЩА ПРОГРАМА

Ако е избрана грешна програма, можете да я промените при условие че тя е започнала току-що: натиснете и задръжте бутона **ВКЛ./ИЗКЛ.**, машината се изключва.

Включете машината отново с бутона **ВКЛ./ИЗКЛ.** и изберете новата програма за миене и желаните опции; стартирайте програмата, като натиснете бутона **СТАРТ/Пауза**.

ДОБАВЯНЕ НА СЪДОВЕ

Без да изключвате машината, отворете вратичката (**внимавайте с ГОРЕЩАТА пара!**), и поставете съдовете във вътрешността на съдомиялната машина. Затворете вратичката и Натиснете бутона **СТАРТ/Пауза**, програмата се възобновява от момента, в който е била прекъсната.

СЛУЧАЙНИ ПРЕКЪСВАНИЯ

Ако вратичката бъде отворена по време на програма за миене или при прекъсване на захранването програмата спира. След затваряне на вратичката или възстановяване на захранването, натиснете бутона **СТАРТ/Пауза**, за да възобновите програмата от момента, в който е била прекъсната.

ПОЛЕЗНИ СЪВЕТИ

СЪВЕТИ

Преди да зареждате кошниците, отстранете всички остатъци от храна от съдовете и изпразнете чашите. **Не е нужно да изплаквате предварително с течаща вода.**

Подредете съдовете така, че да се задържат добре на място и да не се обърнат; и подредете съдовете с отворите надолу и разположете вдлъбнатите/изпъкналите части така, че водата да може да достигне всяка повърхност и да тече свободно.

Предупреждение: капачите, дръжките, подносите и тиганите за пържене трябва да не пречат на въртенето на разпръскващите рамене.

Поставете дребните артикули в кошницата за прибори. Много замърсените съдове и тенджери следва да се поставят в долната кошница, тъй като в този сектор водните струи са по-силни и позволяват по-добра ефективност при миене. След като заредите уреда, проверете дали разпръскващите рамене могат да се въртят свободно.

НЕПОДХОДЯЩИ СЪДОВЕ

- Дървени съдове и прибори.
 - Деликатни чаши с декорации, артистични ръчно изработени съдове и антики. Декорациите им не са устойчиви.
 - Части от синтетични материали, които не са устойчиви на високи температури.
 - Медни и калаени съдове.
 - Замърсени с пепел, востък, грес или мастило съдове.
- Цветовите на стъклените декорации и частите от алуминий/сребро могат да се променят и да избледнеят в процеса на миене. Някои видове стъкло (напр. кристалните предмети) могат да станат непрозрачни след няколко измивания.

ПОВРЕДИ ПО ЧАШИТЕ И СЪДОВЕТЕ

- Използвайте само стъклени и порцеланови съдове, за които производителът гарантира, че са подходящи за съдомиялна машина.
- Използвайте деликатен почистващ препарат, подходящ за Вашите съдове
- Изваждайте чашите и приборите от съдомиялната машина веднага след края на програмата за миене.

СЪВЕТИ ЗА ПЕСТЕНЕ НА ЕНЕРГИЯ

- Когато домашната съдомиялна машина се използва съгласно инструкциите на производителя, **измиването на посуда в съдомиялна обикновено консумира ПО-МАЛКО ЕНЕРГИЯ И ВОДА в сравнение с миенето на ръка.**
- За да максимизирате ефективността на съдомиялната машина, **препоръчително е да стартирате цикъл на миене, след като машината е заредена докрай.** Зареждането на домашната съдомиялна машина до капацитета, посочен от производителя, ще спомогне да спестите енергия и вода. Информация относно правилното зареждане на посудата можете да намерите в глава ЗАРЕЖДАНЕ НА КОШНИЦИТЕ.
- При частично зареждане е препоръчително да използвате специално предназначения опции (Half load/ Zone Wash/ Multizone), като напълните само избраните кошници. Неправилното зареждане или препълване на съдомиялната машина може да увеличи потреблението на ресурси (като вода, енергия и време, както и да увеличи нивото на шум), което ще намали ефективността на измиване и сушене.
- Предварителното изплакване на посудата на ръка води до увеличено потребление на вода и енергия, затова не е препоръчително.

ХИГИЕНА

За да избегнете миризми и утайки, които могат да се натрупат в съдомиялната машина, **моля, пускайте програма при висока температура най-малко веднъж месечно.** Използвайте супена лъжица препарат и пуснете уреда без да зареждате съдове, за да го почистите.

ГРИЖИ И ПОДДРЪЖКА

ПОЧИСТВАНЕ НА ФИЛТЪРНИЯ ВЪЗЕЛ

Почиствайте филтърния възел редовно, така че филтрите да не се запушват и отпадъчната вода да се източва правилно.

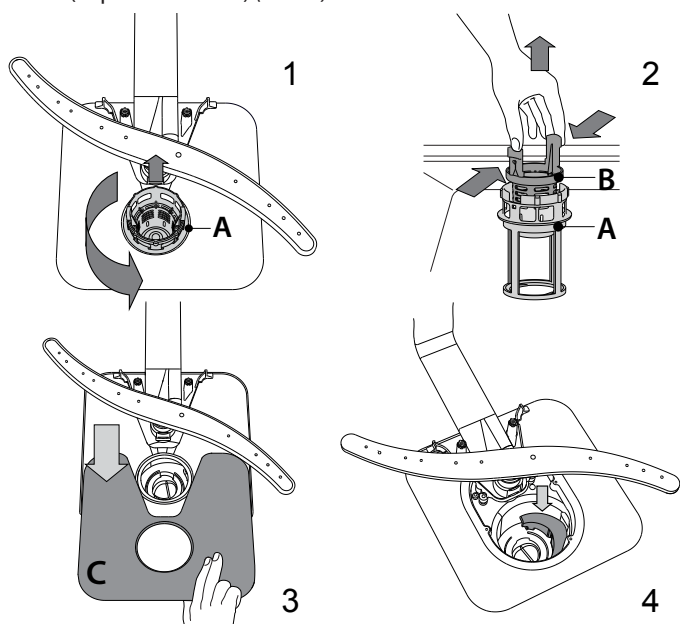
Използването на съдомиялната машина със запушени филтри или външни предмети във филтриращата система или пръскащите рамена, може да влоши работата на уреда и да доведе до намаляване на работните характеристики, шум по време на работа или повишено потребление на ресурси.

Филтърният възел се състои от три филтъра, които премахват остатъците от храна от водата от измиване и след това рециркулират водата.

Съдомиялната машина не трябва да се използва без филтри или ако филтърът е разхлабен.

Най-малко веднъж месечно или на всеки 30 цикъла проверявайте филтърния блок и при необходимост го почистете старателно с течаща вода, като използвате неметална четка и следвайте инструкциите по-долу:

1. Завъртете цилиндричния филтър **A** обратно на часовниковата стрелка и го издърпайте (Фиг. 1).
2. Свалете филтъра чашка **B**, като приложите лек натиск върху страничните капаци (Фиг. 2).
3. Плъзнете навън филтъра-пластина от неръждаема стомана **C** (Фиг. 3).
4. В случай че намерите външни предмети (като счупени стъкла, порцелан, кости, семена на плодове и др.), **внимателно ги отстранете**.
5. Проверете уловителя и премахнете остатъците от храна. **НИКОГА НЕ МАХАЙТЕ** предпазителя на помпата за цикъла на измиване (черния елемент) (Фиг. 4).



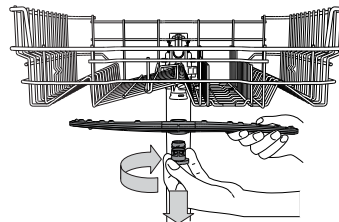
След почистване на филтрите поставете филтърния блок отново и го закрепете правилно на място; това е от ключово значение за поддържане на ефективната работа на съдомиялната машина.

ПОЧИСТВАНЕ НА МАРКУЧА ЗА ПОДАВАНЕ НА ВОДА

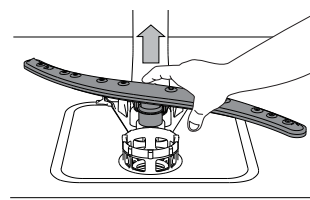
Ако маркучите за вода са нови или не са използвани продължително време, оставете водата да тече, за да се уверите, че е прозрачна и без замърсявания, преди да изпълнявате нужните връзки. Ако тази предпазна мярка не бъде взета, входът за вода може да се блокира и да повреди съдомиялната машина.

ПОЧИСТВАНЕ НА РАЗПРЪСКВАЩИТЕ РАМЕНЕ

Понякога остатъците от храна е възможно да засъхнат върху разпръскващите рамена и да запушат отворите за разпръскване на вода. Следователно се препоръчва да проверявате раменете от време на време и да ги почиствате с малка неметална четка.



За да премахнете горното разпръскващо рамо, завъртете за сваляне на горното рамо за пръскане, завъртете пластмасовия заключващ пръстен по посока на часовниковата стрелка. Горното разпръскващо рамо следва да се поставя така, че страната с по-голям брой отвори да е насочена нагоре.



Можете да свалите долното разпръскващо рамо, като го издърпате нагоре.

СИСТЕМА ЗА ОМЕКОТЯВАНЕ НА ВОДАТА

Омекотителят за вода намалява автоматично твърдостта на водата, като по този начин предотвратява натрупването на варовик по нагревателя и повишава ефективността при почистване.

Системата се регенерира сама със сол, затова е необходимо да допълвате контейнера със сол, когато се изпразни.

Честотата на регенериране зависи от настройката на нивото на твърдост на водата - регенерирането се извършва веднъж на всеки 6 цикъла Есо с ниво на твърдост на водата, зададено на 3. Процесът на регенериране започва във фазата на последното изплакване и завършва във фазата на сушене, преди цикълът да завърши.

- Едно регенериране използва: ~3,5 литра вода;
- Към цикъла се добавят 5 допълнителни минути;
- Консумират се по-малко от 0,005 kWh енергия.

ОТСТРАНЯВАНЕ НА НЕИЗПРАВНОСТИ

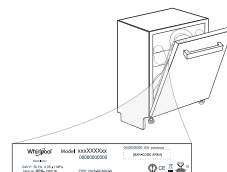
В случай че съдомиялната машина не работи нормално, проверете дали проблемът може да бъде решен, като прегледате следния списък. За други грешки или неизправности се свържете с отдела за следпродажбено обслужване, като данните за контакт можете да намерите в книжката за гаранцията. Резервните части ще бъдат налични за период от 7 или до 10 години, в съответствие със специфичните изисквания на регламента.

ПРОБЛЕМИ	ВЪЗМОЖНИ ПРИЧИНИ	РЕШЕНИЯ
Индикаторът за сол свети	Резервоарът за сол е празен. (След допълване на сол индикаторът може да остане да свети още няколко цикъла на миене).	Напълнете отново резервоара със сол (за повече информация – вж. стр. 2). Регулирайте твърдостта на водата – вижте таблицата, стр. 2.
Индикаторът за препарат за блясък свети	Дозаторът за препарат за блясък е празен. (След допълване на препарат за блясък индикаторът може да остане да свети още няколко цикъла на миене).	Напълнете отново дозатора на препарата за блясък (за повече информация – вж. стр. 2).
Съдомиялната машина не стартира или не реагира на команди.	Уредът не е включен в контакта както трябва.	Включете щепсела в контакта.
	Спиране на захранването.	От съображения за безопасност съдомиялната машина може да не стартира автоматично след пускане на електрозахранването. Натиснете бутона СТАРТ/Пауза, за да възобновите цикъла.
	Вратичката на съдомиялната не е затворена.	Натиснете вратичката силно, докато чуете щракване.
	Цикълът е прекъснат от отваряне на вратичката за повече от 4 секунди.	Затворете вратичката и натиснете СТАРТ/Пауза.
Съдомиялната машина не източва.	Не реагира на команди.	Изключете уреда, като натиснете бутона ВКЛ./ИЗКЛ. , включете я отново след около една минута и нулирайте програмата. Ако проблемът не бъде отстранен, изключайте уреда от щепсела за 1 минута и отново включете щепсела.
	Програмата все още не е завършила.	Изчакайте програмата да завърши.
	Маркучът за източване е прегънат.	Проверете дали маркучът за източване не е прегънат (вж. ИНСТРУКЦИЯ ЗА МОНТАЖ).
	Тръбата за източване на мивката е запушена. Филтърът е запушен с остатъци от храна	Почистете тръбата за източване на мивката. Почистете филтъра (вж. ПОЧИСТВАНЕ НА ФИЛТЪРНИЯ МЕХАНИЗЪМ).
Съдомиялната създава прекомерно много шум.	Съдовете тракат един в друг.	Подредете съдовете правилно (вж. ЗАРЕЖДАНЕ НА КОШНИЦИТЕ).
	Създадо се е прекалено голямо количество пяна.	Препаратът не е измерен правилно или не е подходящ за използване в съдомиялни машини (вж. ДОПЪЛВАНЕ НА ДОЗАТОРА ЗА ПОЧИСТВАЩ ПРЕПАРАТ). Рестартирайте миелната машина, като натиснете бутона ИЗТОЧВАНЕ (вж. ОПЦИИ И ФУНКЦИИ) и стартирайте нова програма без почистващ препарат.
Съдовете не са почистени.	Съдовете не са подредени както трябва.	Подредете съдовете правилно (вж. ЗАРЕЖДАНЕ НА КОШНИЦИТЕ).
	Разпръскващите рамене не могат да се въртят свободно, тъй като са възпрепятствани от съдовете.	Подредете съдовете правилно (вж. ЗАРЕЖДАНЕ НА КОШНИЦИТЕ).
	Цикълът на измиване е твърде лек.	Изберете подходящ цикъл на измиване (вж. ТАБЛИЦА С ПРОГРАМИ).
	Създадо се е прекалено голямо количество пяна.	Препаратът не е измерен правилно или не е подходящ за използване в съдомиялни машини (вж. ДОПЪЛВАНЕ НА ДОЗАТОРА ЗА ПОЧИСТВАЩ ПРЕПАРАТ).
	Капачката на отделението за помощно средство за изплакване не е затворена правилно.	Уверете се, че капачката на дозатора за помощно средство за изплакване е затворена.
	Филтърът е замърсен или запушен.	Почистете филтърния механизъм (вж. ГРИЖА И ПОДДРЪЖКА).
Съдомиялната машина не зарежда вода.	Няма сол.	Допълнете резервоара за сол (вж. ДОПЪЛВАНЕ НА РЕЗЕРВОАРА ЗА СОЛ).
	Не се подава вода или кранът е затворен.	Уверете се, че се подава вода или кранът е отворен.
Всички светодиоди са мига бързо	Маркучът за подаване на вода е прегънат.	Уверете се, че маркучът за подаване на вода не е прегънат (вижте ИНСТАЛИРАНЕ), включете нова програма на съдомиялната и я рестартирайте.
	Мрежестият филтър в маркуча за подаване на вода е запушен; необходимо е да го почистите.	След изпълняване на проверката и почистването изключете и включете съдомиялната машина и рестартирайте нова програма.
Съдомиялната машина спира цикъла преждевременно.	Маркучът за източване е поставен твърде ниско или водата се източва в домашната канализационна система.	Проверете дали краят на маркуча за източване е поставен на правилната височина (вижте ИНСТАЛИРАНЕ). Проверете за източване в домашната канализационна система и ако е необходимо, монтирайте въздушен вентил.
	Въздух в системата за подаване на вода.	Проверете системата за подаване на вода за течове или други проблеми, водещи до навлизане на въздух.
Изтичането на детергент.	Зависи от използвания течен детергент и може да бъде подчертано в случай на активирана опция за забавяне.	Малките течове няма да доведат до неизправност на машината и могат да бъдат избегнати, като се промени видът на течния перилен препарат или се използват таблетки.

Фирмени политики, стандартна документация, поръчка на резервни части и допълнителна информация за продукти можете да намерите на:

- Използване на QR кода на Вашия уред.
- Посетите нашия уебсайт docs.hotpoint.eu и parts-selfservice.europeanappliances.com
- Като алтернатива можете да се свържете с отдела за следпродажбено обслужване (вижте телефонния номер в гаранционната книжка). При контакт с отдела за следпродажбено обслужване на клиенти съобщавайте кодовете, посочени на заводската табелка на Вашия уред.

Информацията за модела може да бъде извлечена чрез сканиране на QR кода на етикета за енергийния клас. На етикета също така е даден идентификатор на модела, който може да се използва за достъп до портала на регистъра на адрес <https://eprel.ec.europa.eu>.



GUIDE D'UTILISATION QUOTIDIENNE

D'UTILISATION QUOTIDIENNE



MERCI D'AVOIR CHOISI UN PRODUIT HOTPOINT ARISTON.
Afin de recevoir une assistance plus complète, merci
d'enregistrer votre appareil sur :
www.hotpoint.eu/register

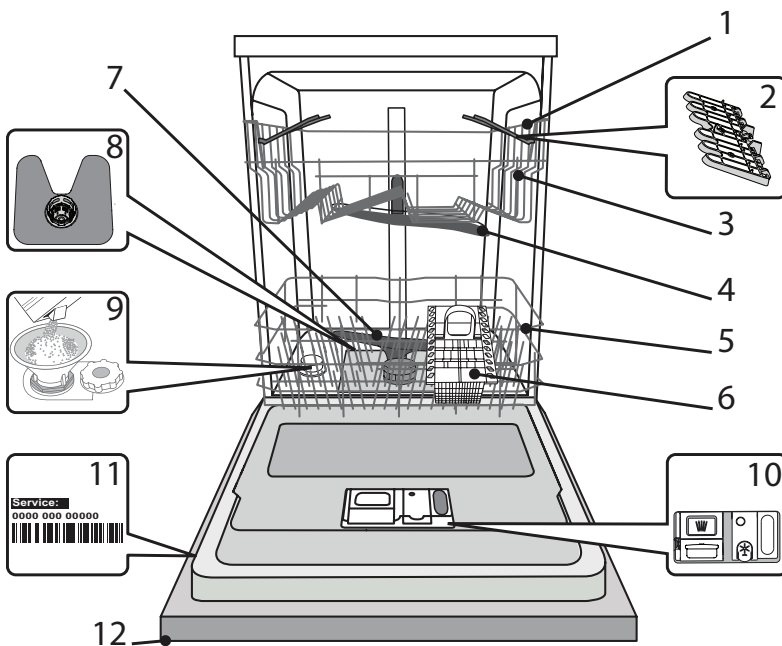
**MERCI DE SCANNER LE QR CODE
SUR VOTRE APPAREIL POUR
OBTENIR DES INFORMATIONS
PLUS DÉTAILLÉES**



⚠ Avant d'utiliser l'appareil, lisez attentivement les Consignes de sécurité.

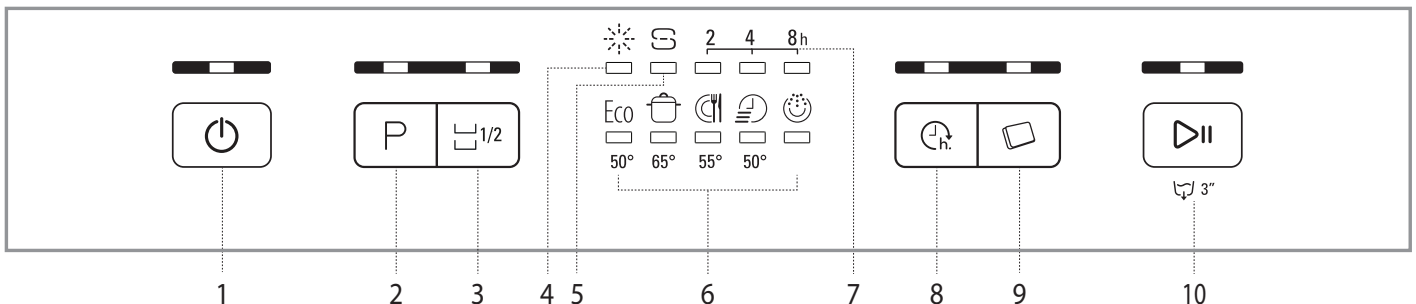
DESCRIPTION DU PRODUIT

APPAREIL



1. Panier supérieur
2. Volets pliables
3. Bouton de réglage de la hauteur du panier supérieur
4. Bras d'aspersion supérieur
5. Panier inférieur
6. Panier à couvert
7. Bras d'aspersion inférieur
8. Ensemble filtre
9. Réservoir à sel
10. Distributeurs de détergent et liquide de rinçage
11. Plaque signalétique
12. Panneau de commande

PANNEAU DE COMMANDE



1. Touche Marche-Arrêt/Réinitialisation avec le voyant
2. Touche Sélecteur de programme avec le voyant
3. Touche Demi-charge avec le voyant
4. Voyant de niveau de liquide de rinçage
5. Voyant de niveau de sel
6. Voyants de programme
7. Voyant Différé
8. Touche Différé avec le voyant
9. Touche Pastille avec le voyant
10. Touche Départ/Pause avec le voyant / Drainer

Hotpoint

ARISTON

PREMIÈRE UTILISATION SEL, LIQUIDE DE RINÇAGE, ET DÉTERGENT


CONSEILS AU SUJET DE LA PREMIÈRE UTILISATION

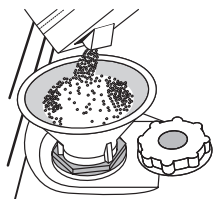
Après l'installation, enlevez les boulons d'arrêt sur les paniers et les éléments élastiques qui retiennent le panier supérieur.

REMPILIR LE RÉSERVOIR DE SEL RÉGÉNÉRANT

L'utilisation de sel régénérant empêche la formation de CALCAIRE sur la vaisselle et sur les composantes fonctionnelles de l'appareil.

- Le **RÉSERVOIR DE SEL NE DOIT JAMAIS ÊTRE VIDE.**
- Il est important de régler la dureté de l'eau.

Le réservoir de sel est situé dans la partie inférieure du lave-vaisselle (voir **DESCRIPTION DU PRODUIT**) et il doit être rempli quand le **voyant NIVEAU DE SEL**  est allumé sur le panneau de commande.



1. Enlevez le panier inférieur et dévissez le bouchon du réservoir (sens antihoraire).
2. **La première fois uniquement, vous devez effectuer l'opération suivante : Remplissez d'eau le réservoir à sel.**
3. Placez l'entonnoir (voir figure) et remplissez le réservoir de sel jusqu'au bord (environ 1 kg); il est normal qu'un peu d'eau déborde.

4. Enlevez l'entonnoir et essuyez les résidus de sel autour de l'ouverture. Assurez-vous que le bouchon est bien serré pour éviter que du détergent pénètre dans le réservoir durant le cycle de lavage (le réservoir pourrait s'endommager au point de ne plus être réparable).

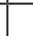


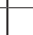

Après chaque ajout de sel dans le réservoir, il est obligatoire de lancer immédiatement un cycle de lavage afin d'éviter toute corrosion de la cuve.

RÉGLER LA DURETÉ DE L'EAU

Pour que l'adoucisseur d'eau fonctionne à la perfection, il est important de régler la dureté de l'eau aux conditions existantes dans votre lieu de résidence. Cette information peut être obtenue de votre fournisseur d'eau local.

L'usine règle la valeur par défaut de la dureté de l'eau.

- Allumer l'appareil en appuyant sur la touche **MARCHE/ARRÊT.**
- Éteindre l'appareil en appuyant sur la touche **MARCHE/ARRÊT.**
- Appuyer sur la touche **DEPART/PAUSE** pendant 5 secondes ; un bip se fait entendre.
- Allumer l'appareil en appuyant sur la touche **MARCHE/ARRÊT.**
- Le voyant pour le programme du niveau de réglage actuel clignote.
- Appuyer sur la touche **P** pour sélectionner le niveau de dureté désiré (voir **TABLEAU DE DURETÉ DE L'EAU**).

Niveau		°dH Degrés allemand	°fH Degrés français	°Clark Degrés anglais
1	Très douce 	0 - 6	0 - 10	0 - 7
2	Moyenne 	7 - 11	11 - 20	8 - 14
3	Douce 	12 - 16	21 - 29	15 - 20
4	Dure 	17 - 34	30 - 60	21 - 42
5	Très dure 	35 - 50	61 - 90	43 - 62

- Éteindre l'appareil en appuyant sur la touche **MARCHE/ARRÊT.**
- Le réglage est terminé !

Une fois cette opération complétée, lancez un programme sans charger le lave-vaisselle.

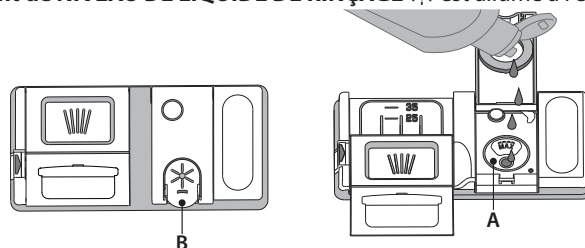
Utilisez seulement le sel spécialement conçu pour les lave-vaisselle. Lorsque le sel est versé dans l'appareil, le voyant AJOUTER DU SEL s'éteint.

Si le contenant de sel n'est pas rempli, l'adoucisseur et l'élément chauffant peuvent être endommagés à cause de l'accumulation de calcaire.

L'utilisation de sel est recommandée avec n'importe quel type de lessive pour lave-vaisselle.

REMPILIR LE DISTRIBUTEUR DE LIQUIDE DE RINÇAGE

Le liquide de rinçage permet à la vaisselle de **SÉCHER** plus facilement. Le distributeur de liquide de rinçage **A** devrait être rempli lorsque le **voyant de NIVEAU DE LIQUIDE DE RINÇAGE**  est allumé à l'écran.



1. Ouvrez le distributeur **B** en appuyant et en tirant sur l'onglet sur le couvercle.
2. Versez doucement du liquide de rinçage jusqu'à la marque de référence (110 ml) du réservoir de remplissage - évitez les débordements. Si cela se produit, nettoyez les dégâts immédiatement avec un linge sec.
3. Appuyez sur le bouchon pour le fermer; un clic se fait entendre.

Ne JAMAIS verser le liquide de rinçage directement dans la cuve.

AJUSTER LE DOSAGE DU LIQUIDE DE RINÇAGE

Si vous n'êtes pas complètement satisfait avec le séchage, vous pouvez ajuster la quantité de liquide de rinçage utilisée.

- Allumez le lave-vaisselle en utilisant la touche **MARCHE/ARRÊT.**
- Éteignez-le en utilisant la touche **MARCHE/ARRÊT.**
- Appuyez sur la touche **DEPART/PAUSE** à trois reprises - vous entendrez un bip.
- Allumez-le en utilisant la touche **MARCHE/ARRÊT.**
- Le voyant pour le programme du niveau de réglage actuel clignote.
- Appuyez sur la touche **P** pour sélectionner la quantité de liquide de rinçage qui doit être utilisée.
- Éteignez-le en utilisant la touche **MARCHE/ARRÊT.**

Le réglage est terminé !

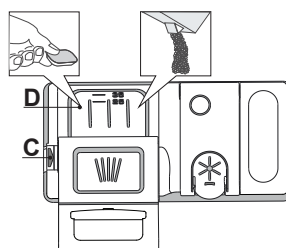
Si le niveau de liquide de rinçage est à 1 (ÉCO), il n'y aura pas de liquide de rinçage distribué. Dans ce cas, le voyant LIQUIDE DE RINÇAGE BAS ne s'allumera pas s'il ne reste plus de liquide de rinçage.

Un maximum de 5 niveaux peuvent être réglés selon le modèle du lave-vaisselle. Les réglages d'usine sont spécifiques au modèle, merci de suivre les instructions ci-dessus pour vérifier ceux qui s'appliquent à votre machine.

- Si vous observez des traces bleuâtres sur la vaisselle, placez sur un niveau plus bas (2-3).
- Si vous observez des gouttelettes d'eau ou des traces de calcaire sur la vaisselle, placez sur un niveau plus haut (4-5).

REMPILIR LE DISTRIBUTEUR DE DÉTERGENT


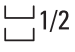



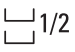



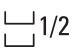






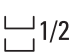

Pour ouvrir le distributeur de détergent, utilisez le dispositif d'ouverture C. Insérez le détergent dans le distributeur sec D seulement. Placez la quantité de détergent pour le trempage directement dans la cuve.



1. Lorsque vous dosez le détergent, consultez les informations mentionnées précédemment pour ajuster la quantité correcte. À l'intérieur du distributeur **D** se trouvent des indications pour aider au dosage de la lessive.
2. Enlevez les résidus de détergent sur le bord des récipients avant de fermer le couvercle; un clic se fait entendre.
3. Fermez le couvercle du distributeur de détergent en le tirant vers le haut jusqu'à ce que le dispositif soit fermement en place.

Le distributeur de détergent s'ouvre automatiquement, au moment déterminé par le programme. Si vous utilisez un détergent « tout-en-un », nous vous conseillons d'utiliser la touche **PASTILLE**, elle ajuste le programme de façon à toujours obtenir les meilleurs résultats de lavage et séchage. **L'utilisation d'un détergent non-conçu pour les lave-vaisselle peut provoquer un dysfonctionnement ou des dommages à l'appareil.**

TABLEAU DES PROGRAMMES

Programme	Séchage	Options disponibles ^{*)}	Durée du programme de lavage (h:min)**)	Consommation d'eau (l/cycle)	Consommation d'énergie (kWh/cycle)
1. Éco  50°	✓	  	3:35	9,5	0,95
2. Intensif  65°	✓	  	2:40	18,0	1,60
3. Mixte  55°	✓	  	2:15	16,0	1,40
4. Rapide 28'  50°	✗	 	0:28	9,0	0,50
5. Trempage  -	✗	 	0:12	4,7	0,01

Les données du programme Éco sont mesurées sous des conditions en laboratoire conformément à la norme européenne EN 60436:2020.

Note pour les laboratoires d'essai : pour toutes informations sur les conditions d'essai comparatif EN, s'adresser à : dw_test_support@whirlpool.com

Aucun prétraitement de la vaisselle n'est nécessaire avant l'un quelconque des programmes.

*) Les options ne peuvent pas toutes être utilisées en même temps.

***) Les valeurs indiquées pour des programmes différents du programme Éco sont fournis à titre indicatif uniquement. Le temps réel peut varier selon des facteurs comme la température et la pression de l'eau, la température de la pièce, la quantité de détergent, la quantité et le type de vaisselle, l'équilibre de la charge, les options supplémentaires sélectionnées, et la calibration du capteur. La calibration du capteur peut augmenter la durée du programme jusqu'à 20 minutes.

DESCRIPTION DES PROGRAMMES

Consignes pour la sélection du cycle de lavage.

1 ÉCO

Le programme Eco est adapté pour nettoyer la vaisselle normalement sale, et pour cette utilisation, c'est le programme le plus efficace en termes d'énergie combinée et de consommation d'eau, et il est utilisé pour évaluer la conformité à la législation européenne en matière d'éco-conception.

2 INTENSIF

Programme conseillé pour une vaisselle très sale, particulièrement adapté pour les poêles et les casseroles (ne pas utiliser avec la vaisselle délicate).

3 MIXTE

Saleté mixte. Pour la vaisselle normalement sale avec des résidus de nourriture secs.

4 RAPIDE 28'

Programme à utiliser pour la demi-charge de vaisselle légèrement sale sans résidus alimentaires séchés. N'a pas de phase de séchage.

5 TREMPAGE

Utilisez ce programme pour rafraîchir la vaisselle qui sera lavée plus tard. N'utilisez pas de détergent avec ce programme.

Remarques :

Il convient de noter que le cycle *Rapide 28'* est destiné uniquement à la vaisselle légèrement sale.

OPTIONS ET FONCTIONS

Les OPTIONS peuvent être sélectionnées directement en appuyant sur la touche correspondante (voir PANNEAU DE COMMANDE).

Si une option n'est pas compatible avec le programme sélectionné (voir TABLEAU DES PROGRAMMES), le voyant correspondant clignote 3 fois et un bip se fait entendre. La fonction n'est pas activée.

1/2 **DEMI-CHARGE**

S'il n'y a pas beaucoup de vaisselle à laver, la demi-charge peut être utilisée pour économiser de l'eau, de l'électricité, et du détergent. Sélectionnez une option et appuyez sur la touche DEMI-CHARGE : le voyant s'allume. Appuyez sur la touche DEMI-CHARGE pour annuler cette option.

N'oubliez pas de réduire la quantité de détergent de moitié.



PASTILLE

Ce réglage vous permet d'optimiser le rendement du programme selon le type de détergent utilisé.

Appuyez sur la touche PASTILLE (le voyant s'allume) si vous utilisez un détergent sous la forme d'une pastille (liquide de rinçage, sel, et détergent en une seule dose).

Si vous utilisez un détergent en poudre ou liquide, cette option devrait être éteinte.



DIFFÉRÉ

Vous pouvez retarder le début du programme de **2, 4, ou 8 heures** :

1. Après avoir sélectionné le programme et les options désirés, appuyez sur la touche DIFFÉRÉ. Le voyant s'allume.
2. Sélectionnez le délai désiré en appuyant sur la touche DIFFÉRÉ à plusieurs reprises. Les voyants 2 heures, 4 heures, et 8 heures s'allument un à la suite de l'autre. Si vous appuyez sur la touche DIFFÉRÉ de nouveau, l'option est annulée et le voyant s'éteint.
3. Après avoir sélectionné le processus, le compte à rebours débute lorsque vous appuyez sur la touche DÉPART/PAUSE. Le voyant pour le délai sélectionné est allumé et la touche DÉPART/Pause s'allume (lumière continue).
4. Une fois le temps écoulé, le voyant DIFFÉRÉ s'éteint et le programme démarre.

La fonction DIFFÉRÉ ne peut pas être modifiée lorsque le programme est en cours.



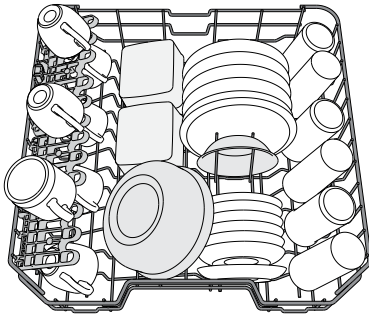
DRAINER

Pour arrêter ou annuler le cycle en cours, vous pouvez utiliser la fonction DRAINER.

Si vous appuyez un long moment sur la touche DÉPART/PAUSE, la fonction DRAINER s'active. Le programme en cours s'arrête et l'eau dans le lave-vaisselle est vidangée.

CHARGEMENT DES PANIERS

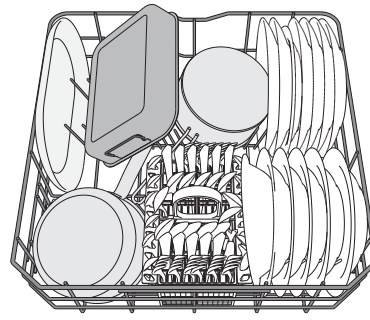
PANIER SUPÉRIEUR



(exemple de chargement du panier supérieur)

Chargez la vaisselle délicate et légère : verres, tasses, petits saladiers.

PANIER INFÉRIEUR



(exemple de chargement du panier inférieur)

Pour les poêles, les couvercles, les plats, les saladiers, les couverts, etc. Les grands plats et les grands couvercles devraient être placés sur le côté pour éviter qu'ils n'entravent le fonctionnement des bras d'aspersion.

AJUSTER LA HAUTEUR DU PANIER SUPÉRIEUR

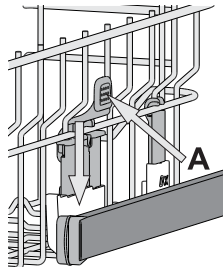
Vous pouvez ajuster la hauteur du panier supérieur : position élevée pour placer la vaisselle encombrante sur le panier inférieur et éviter les chocs avec le panier supérieur ; en créant plus d'espace en hauteur.

Le panier supérieur comprend un **dispositif de réglage de la hauteur** (voir figure). Sans appuyer sur les leviers, soulevez simplement le panier supérieur en le tenant par les côtés jusqu'à ce qu'il soit stable en position élevée.

Pour abaisser le panier, appuyez sur les leviers **A** sur les côtés du panier et déplacez-le vers le bas.

Nous vous conseillons fortement de ne pas ajuster la hauteur du panier lorsqu'il est chargé.

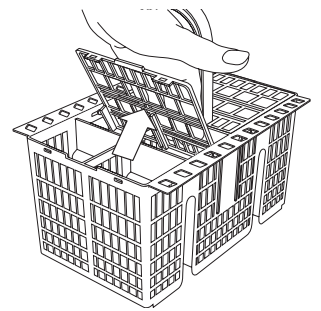
Ne JAMAIS soulever ou abaisser un seul côté du panier.



PANIER À COUVERT

Le panier comprend des grilles supérieures pour placer les couverts plus facilement. Le panier à couvert doit uniquement être placé à l'avant du panier inférieur.

Les couteaux et autres ustensiles avec des bords tranchants doivent être placés dans le panier à couvert avec la pointe vers le bas, ou placés à l'horizontale dans le compartiment rabattable sur le panier supérieur.

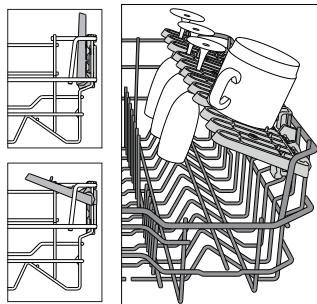


VOLETS PLIABLES AVEC POSITIONS AJUSTABLES

Les volets pliables latéraux peuvent être pliés ou dépliés afin d'optimiser la disposition de la vaisselle à l'intérieur du panier.

Les verres de vin peuvent être placés de façon sécuritaire dans les volets pliables en insérant le pied de chaque verre dans la fente correspondante. Selon le modèle :

- pour déplier les volets, il est nécessaire de les coulisser vers le haut et de les tourner ou de les libérer des fixations et de les tirer vers le bas.
- pour replier les volets, il est nécessaire de les tourner et de les faire coulisser vers le bas ou de les tirer vers le haut et de les accrocher aux fixations.



UTILISATION QUOTIDIENNE

1. VÉRIFIER LE BRANCHEMENT DE L'EAU

Assurez-vous que l'appareil est raccordé à un réseau d'alimentation et que le robinet de l'eau est ouvert.

2. ALLUMER LE LAVE-VAISSELLE

Appuyez sur la touche **MARCHE/ARRÊT**.

3. CHARGER LES PANIERS (voir CHARGEMENT DES PANIERS).

4. REMPLIR LE DISTRIBUTEUR DE DÉTERGENT

5. CHOISIR LE PROGRAMME ET PERSONNALISER LE CYCLE

Sélectionnez le meilleur programme selon le type de vaisselle et le niveau de saleté (voir DESCRIPTION DES PROGRAMMES) en appuyant sur la touche **P**.

Sélectionnez les options désirées (voir OPTIONS ET FONCTIONS).

6. DÉMARRER

Démarez le cycle de lavage en appuyant sur la touche **DÉPART/Pause**. Vous entendez un bip lorsque le programme démarre.

7. FIN DU CYCLE DE LAVAGE

La fin du programme est signalée par des signaux acoustiques et le voyant du programme sélectionné clignote. Ouvrez la porte et éteignez l'appareil en appuyant sur la touche **MARCHE/ARRÊT**.

Pour éviter de vous brûler, attendez quelques minutes avant de retirer la vaisselle. Déchargez les paniers en commençant par le panier inférieur.

L'appareil s'éteint automatiquement durant des périodes d'inactivité prolongées pour réduire la consommation d'énergie. Si la vaisselle est légèrement sale ou si elle a été rincée avec à l'eau avant d'être placée dans le lave-vaisselle, réduisez la quantité de détergent utilisée en conséquence.

MODIFIER UN PROGRAMME EN COURS

Si vous avez sélectionné le mauvais programme, vous pouvez le changer si c'est fait au début du cycle : appuyez sur la touche **MARCHE/ARRÊT** pour éteindre l'appareil. Rallumez l'appareil en appuyant sur la touche **MARCHE/ARRÊT** et sélectionnez le nouveau cycle de lavage et les options désirées; démarrez le cycle en appuyez sur la touche **DÉPART/Pause**.

AJOUTER DE LA VAISSELLE

Sans éteindre l'appareil, ouvrez la porte. **Attention : vapeur chaude!** Placer la vaisselle à l'intérieur du lave-vaisselle. Fermez la porte et appuyez sur la touche **DÉPART/Pause**, le cycle démarre au point où il a été interrompu.

INTERRUPTIONS IMPRÉVUES

Si la porte est ouverte durant le cycle de lavage, ou s'il y a une panne de courant, le cycle s'interrompt. Une fois la porte refermée ou le courant électrique restauré, pour redémarrer le cycle à partir du point où il a été interrompu, appuyez sur la touche **DÉPART/Pause**.

AVIS ET CONSEILS

CONSEILS

Avant de charger les paniers, enlevez tous les résidus de nourriture sur la vaisselle et videz les verres. **Vous n'avez pas besoin de rincer la vaisselle avant de la placer dans le lave-vaisselle.**

Placez la vaisselle pour qu'elle tienne bien en place et ne risque pas de tomber; et placez les récipients avec les ouvertures vers le bas et les parties concaves/convexes de côté pour permettre à l'eau d'atteindre toutes les surfaces et couler librement.

Avertissement: Vérifiez que les couvercles, poignées et poêle à frire n'empêchent pas les bras d'aspersion de tourner librement. Placez les petits articles dans le panier à couvert. La vaisselle et les casseroles très sales devraient être placées sur le panier inférieur car les jets d'eau sont plus forts dans cette section et permet un meilleur rendement lors du lavage. Après avoir chargé l'appareil, assurez-vous que les bras d'aspersion peuvent bouger librement.

VAISSELLE QUI NE CONVIENT PAS

- Vaisselle et couverts en bois.
- Verres décoratifs délicats, produits artisanaux, et vaisselle antique. Les garnitures ne sont pas résistantes.
- Les pièces en matériel synthétique qui ne supportent pas les hautes températures.
- La vaisselle en cuivre ou en étain.
- La vaisselle tachée de cendre, de cire, de graisse lubrifiante, ou d'encre. Les couleurs des garnitures de verre et des pièces d'aluminium/argent peuvent changer et ternir durant le cycle de lavage. Certains types de verre (p. ex. les objets en cristal) peuvent aussi devenir opaque après plusieurs cycles de lavage.

VERRES ET VAISSELLE ENDOMMAGÉS

- Seulement utiliser des verres ou de la porcelaine qui sont lavables au lave-vaisselle conformément aux recommandations du fabricant.
- Utilisez un détergent doux, adéquat pour la vaisselle.
- Retirez les verres et les couverts du lave-vaisselle aussitôt que le cycle de lavage est terminé

ASTUCES SUR L'ÉCONOMIE D'ÉNERGIE

- Lorsque le lave-vaisselle domestique est utilisé conformément aux instructions du fabricant, **le lavage de la vaisselle dans un lave-vaisselle consomme habituellement MOINS D'ÉNERGIE et d'eau que le lavage à la main.**
- Afin d'optimiser l'efficacité du lave-vaisselle, il est recommandé de **débuter le cycle de lavage une fois que le lave-vaisselle est totalement chargé.** Le chargement du lave-vaisselle domestique jusqu'à la capacité indiquée par le fabricant contribuera à économiser de l'énergie et de l'eau. Vous trouverez des informations sur le chargement correct de la vaisselle dans le chapitre CHARGEMENT DES PANIERS. En cas de chargement partiel, il est recommandé d'utiliser des options de lavage spécifiques si elles sont disponibles (Demi-charge / Zone Wash/ Multi Zone), en remplissant uniquement les paniers sélectionnés. Un chargement incorrect ou une surcharge du lave-vaisselle peut augmenter l'utilisation des ressources (telles que l'eau, l'énergie et le temps, et augmenter le niveau de bruit), en réduisant les performances de nettoyage et de séchage.
- Un pré-rinçage manuel des éléments de vaisselle provoque une augmentation de la consommation d'eau et d'énergie et n'est pas recommandé.

HYGIÈNE

Pour éviter les odeurs et les dépôts qui pourraient s'accumuler dans le lave-vaisselle, **lancer un programme à haute température au moins une fois par mois.** Utilisez une cuillère à café de détergent et lancer le programme sans vaisselle pour nettoyer l'appareil.

NETTOYAGE ET ENTRETIEN

NETTOYER L'ENSEMBLE FILTRE

Nettoyez régulièrement l'ensemble filtre pour éviter qu'il ne se bouche et pour permettre aux eaux usées de bien s'éliminer.

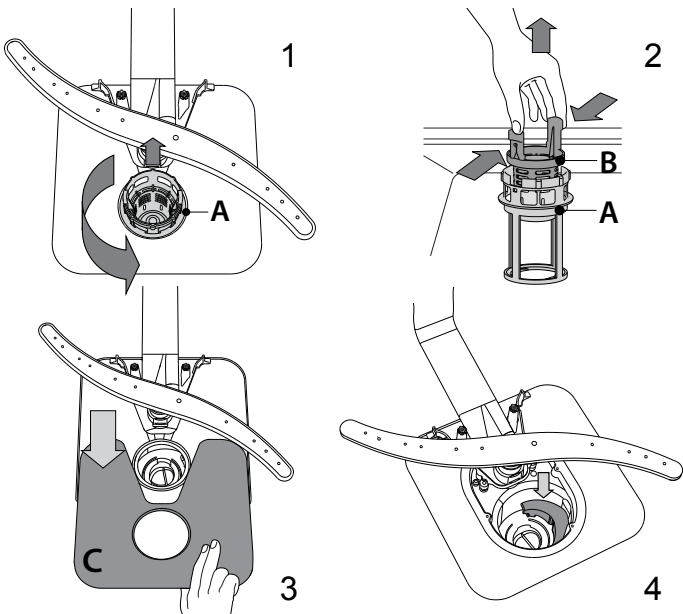
L'utilisation du lave-vaisselle avec des filtres obstrués ou des corps étrangers à l'intérieur du système de filtration ou des bras de lavage peut provoquer un dysfonctionnement du lave-vaisselle en réduisant l'efficacité de lavage, en augmentant le bruit de fonctionnement et la consommation d'électricité.

L'ensemble filtre comprend trois filtres qui séparent les résidus de nourriture de l'eau de lavage pour ensuite faire circuler l'eau.

N'utilisez pas le lave-vaisselle sans les filtres ou si un filtre est mal ajusté.

Au moins une fois par mois ou tous les 30 cycles, vérifiez l'assemblage du filtre et si nécessaire, nettoyez-le minutieusement sous l'eau courante, en utilisant une brosse non-métallique et en suivant les instructions ci-dessous :

1. Tournez le filtre cylindrique **A** dans le sens antihoraire et retirez-le (Fig. 1).
2. Enlevez le panier du filtre **B** en appliquant une légère pression sur les volets latéraux (Fig. 2).
3. Retirez la plaque du filtre en acier inoxydable **C** (Fig. 3).
4. Si vous trouvez des objets étrangers (comme du verre brisé, de la porcelaine, des os, des pépins de fruits, etc), enlevez-les minutieusement.
5. Inspecter la cavité et enlever les résidus de nourriture. **NE JAMAIS ENLEVER** la protection de la pompe du cycle de lavage (détails en couleur noir) (Fig 4).



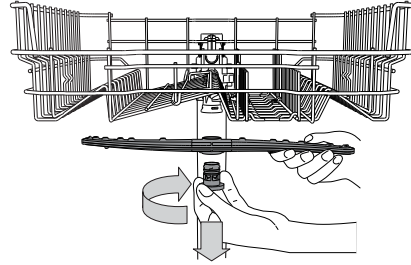
Après avoir nettoyé les filtres, assemblez de nouveau l'ensemble filtre et remettez-le en place correctement; c'est très important pour que le lave-vaisselle garde son efficacité.

NETTOYER LE TUYAU D'ARRIVÉE D'EAU

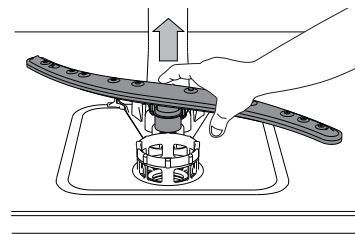
Si les tuyaux d'eau sont neufs ou s'ils n'ont pas été utilisés depuis longtemps, laissez l'eau couler pour vous assurer qu'il n'y a pas d'impureté ou de saleté avant de les brancher. Si vous n'effectuez pas cette opération, l'arrivée d'eau pourrait se boucher et endommager le lave-vaisselle.

NETTOYER LES BRAS D'ASPERSION

À l'occasion, des résidus de nourriture s'incrustent dans les bras d'aspersion et bloquent les trous utilisés pour asperger de l'eau. Il est donc conseillé de vérifier les bras de temps en temps et de les nettoyer avec une petite brosse non métallique.



Pour enlever le gicleur supérieur, tournez l'anneau de verrouillage en plastique dans le sens horaire. Le bras d'aspersion supérieur doit être replacé de façon que le côté avec le plus grand nombre de trous est placé vers le haut.



Le bras d'aspersion inférieur peut être enlevé en le tirant vers le haut.

SYSTÈME ADOUCISSEUR D'EAU

L'adoucisseur d'eau réduit automatiquement la dureté de l'eau, en empêchant ainsi la formation de calcaire sur la résistance, et en contribuant également à une meilleure performance de nettoyage.

Ce système se régénère avec du sel, il est donc nécessaire de remplir le bac de sel lorsqu'il est vide.



La fréquence de régénération dépend du réglage du niveau de dureté de l'eau - la régénération a lieu une fois tous les **6** cycles Eco avec un niveau de dureté de l'eau réglé à **3**

Le processus de régénération débute lors du rinçage final et se termine en phase de séchage avant la fin du cycle.

- Une régénération simple consomme : ~3,5 L d'eau ;
- Prend jusqu'à 5 minutes supplémentaires pour le cycle ;
- Consomme moins de 0,005 kWh d'énergie.

DÉPANNAGE

Si votre lave-vaisselle ne fonctionne pas correctement, vérifiez si le problème peut être résolu en suivant la liste ci-après. Pour d'autres erreurs ou problèmes, contactez le Service après-vente agréé dont les coordonnées peuvent être trouvées dans le livret de garantie. Les pièces de rechange seront disponibles pour une période allant jusqu'à 7 ou jusqu'à 10 ans, selon les exigences spécifiques du règlement.

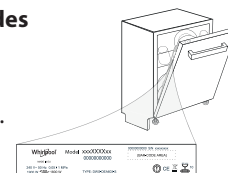
PROBLÈMES	CAUSES POSSIBLES	SOLUTIONS
 L'indicateur de sel est allumé	Le réservoir de sel est vide. (Après le remplissage, il est possible que le voyant du niveau de sel régénérant ne s'éteigne qu'au bout de plusieurs cycles de lavage).	Remplissez le réservoir de sel régénérant (pour plus d'informations, reportez-vous à la page 2). Réglez la dureté de l'eau - reportez-vous au tableau de la page 2.
 Le voyant de liquide de rinçage est allumé	Le distributeur de liquide de rinçage est vide. (Après le remplissage, il est possible que le voyant du niveau de liquide de rinçage ne s'éteigne qu'au bout de plusieurs cycles de lavage).	Remplissez le distributeur de liquide de rinçage (pour plus d'informations, reportez-vous à la page 2).
Le lave-vaisselle ou les commandes ne fonctionnent pas.	L'appareil n'est pas bien branché.	Insérez la fiche dans la prise de courant.
	Panne de courant.	Pour des raisons de sécurité, le lave-vaisselle ne redémarrera pas automatiquement lors du retour de l'alimentation électrique. Appuyez sur le bouton DÉPART/Pause pour reprendre le cycle.
	La porte du lave-vaisselle n'est pas fermée.	Poussez vigoureusement la porte pour entendre le « clic ».
	Le cycle est interrompu par une ouverture de la porte supérieure à 4 secondes.	Fermez la porte et appuyez sur la touche DÉPART/Pause.
Le lave-vaisselle ne se vidange pas.	Le cycle de lavage n'est pas encore terminé.	Attendre que le cycle se termine.
	Le tuyau de vidange est plié.	Assurez-vous que le tuyau de vidange n'est pas plié (voir <i>CONSIGNES D'INSTALLATION</i>).
	Le conduit de vidange de l'évier est bouché.	Nettoyez le conduit de vidange de l'évier.
	Le filtre est bouché par des résidus de nourriture.	Nettoyez le filtre (voir <i>NETTOYAGE DE L'ENSEMBLE FILTRE</i>).
Le lave-vaisselle fait beaucoup de bruit.	La vaisselle s'entrechoque.	Remplacez la vaisselle (voir <i>CHARGEMENT DES PANIERS</i>).
	Il y a une trop grande quantité de mousse.	Le détergent a été mal mesuré ou il n'est pas adéquat pour les lave-vaisselle (voir <i>REPLIR LE DISTRIBUTEUR DE DÉTERGENT</i>). Relancez le lave-vaisselle en appuyant sur la touche DRAINER (voir <i>OPTIONS ET FONCTIONS</i>) et lancez un nouveau programme sans détergent..
La vaisselle n'est pas propre.	La vaisselle n'est pas bien placée.	Remplacez la vaisselle (voir <i>CHARGEMENT DES PANIERS</i>).
	Les bras d'aspersion ne tournent pas librement, ils sont gênés par la vaisselle.	Remplacez la vaisselle (voir <i>CHARGEMENT DES PANIERS</i>).
	Le cycle de lavage n'est pas assez intensif.	Sélectionnez le cycle de lavage approprié (voir <i>TABLEAU DES PROGRAMMES</i>).
	Il y a une trop grande quantité de mousse.	Le détergent a été mal mesuré ou il n'est pas adéquat pour les lave-vaisselle (voir <i>REPLIR LE DISTRIBUTEUR DE DÉTERGENT</i>).
	Le bouchon du compartiment de liquide de rinçage n'est pas bien fermé.	Assurez-vous que le bouchon du distributeur de liquide de rinçage est fermé.
	Le filtre est sale ou bouché.	Nettoyez l'ensemble de filtre (voir <i>NETTOYAGE ET ENTRETIEN</i>).
L'eau n'arrive pas au lave-vaisselle. Toutes les LED clignotent rapidement.	Il n'y a pas de sel.	Remplir le réservoir de sel (voir <i>REPLIR LE RÉSERVOIR DE SEL</i>).
	L'alimentation d'eau est vide ou le robinet est fermé.	Assurez-vous qu'il y a de l'eau dans le circuit d'alimentation ou que le robinet est ouvert.
	Le tuyau d'arrivée est plié.	Assurez-vous que le tuyau d'entrée n'est pas plié (voir <i>INSTALLATION</i>) reprogrammez le lave-vaisselle et relancez-le.
Le lave-vaisselle termine le cycle prématurément.	Le tamis dans le tuyau d'arrivée d'eau est obstrué ; il est nécessaire de le nettoyer.	Après avoir complété la vérification et le nettoyage, éteignez et rallumez le lave-vaisselle et redémarrez le programme.
	Le tuyau de vidange est positionné trop bas ou se vide dans le système d'évacuation domestique.	Vérifiez que le tuyau de vidange n'est pas trop engagé dans la canalisation murale du réseau d'évacuation des eaux usées (voir <i>Installation</i>). En cas d'un branchement du tuyau de vidange sur le syphon d'un évier de cuisine, il faut installer un dispositif anti retour pour éviter le risque de siphonnage du lave-vaisselle.
La fuite de détergent.	De l'air est présent dans l'alimentation en eau.	Vérifiez si l'alimentation en eau présente des fuites ou d'autres problèmes laissant entrer de l'air.
	Dépend du détergent liquide utilisé et peut être accentuée en cas d'activation de l'option de retardement.	Les petites fuites n'entraînent pas de dysfonctionnement de la machine et peuvent être évitées en changeant de type de détergent liquide ou en utilisant des tablettes.

Vous trouverez les documents normatifs, la documentation standard, le classement des pièces de rechange et des informations supplémentaires sur les produits :

- En utilisant le QR code sur votre produit.
- En visitant notre site web docs.hotpoint.eu et parts-selfservice.europeanappliances.com
- Vous pouvez également **contacter notre Service après-vente** (voir numéro de téléphone dans le livret de garantie). Lorsque vous contactez notre Service après-vente, veuillez indiquer les codes figurant sur la plaque signalétique de l'appareil.



Les informations relatives au modèle peuvent être trouvées en utilisant le QR-Code figurant sur l'étiquette énergétique. L'étiquette comprend également l'identifiant du modèle qui peut être utilisé pour consulter le portail du registre sur le site <https://eprel.ec.europa.eu>.



GUIDA RAPIDA GUASTI



GRAZIE PER AVER ACQUISTATO UN PRODOTTO HOTPOINT ARISTON. Per ricevere assistenza in modo più completo, registrare il proprio apparecchio sul sito: www.hotpoint.eu/register

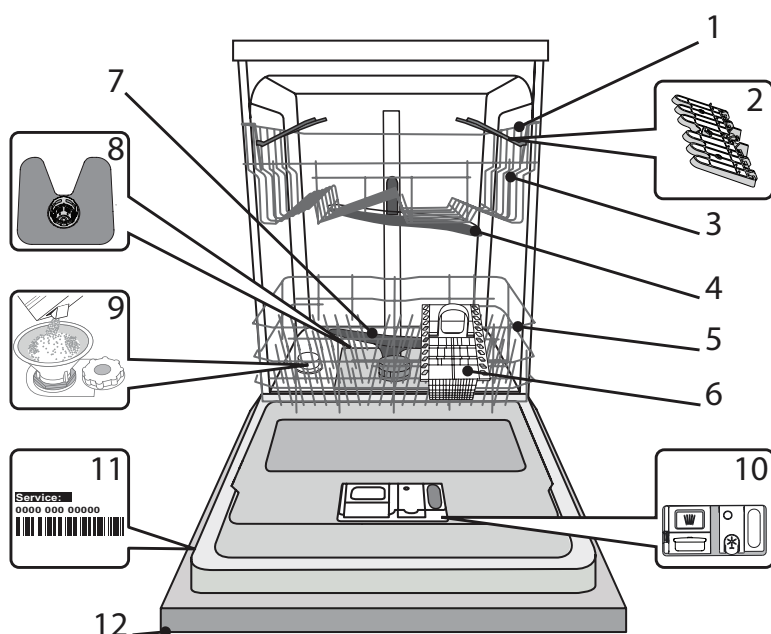
SCANSIONARE IL CODICE QR SULL'APPARECCHIO PER VISUALIZZARE INFORMAZIONI PIÙ DETTAGLIATE



Prima di utilizzare l'apparecchio, leggere attentamente le Istruzioni per la sicurezza.

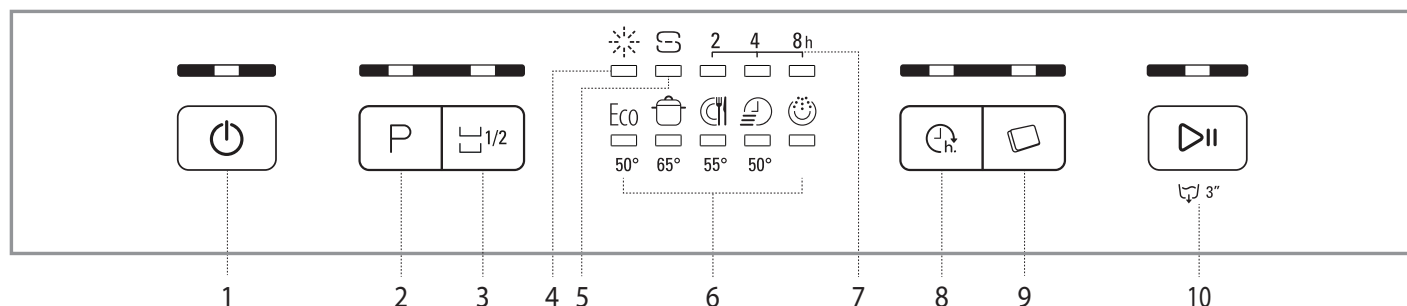
DESCRIZIONE PRODOTTO

APPARECCHIO



1. Cestello superiore
2. Sponde ribaltabili
3. Regolatore altezza cestello superiore
4. Braccio aspensore superiore
5. Cestello inferiore
6. Cestello per le posate
7. Braccio aspensore inferiore
8. Gruppo filtro
9. Distributore del sale
10. Distributori per detersivo e brillantante
11. Targhetta matricola
12. Pannello comandi

PANNELLO COMANDI



1. Tasto Accensione-Spegnimento/Ripristino e relativa spia
2. Tasto di selezione programmi
3. Tasto di mezzo carico e relativa spia
4. Indicatore di riempimento del brillantante
5. Indicatore di riempimento del sale
6. Spie indicatore di programma
7. Spia di avvio ritardato
8. Tasto di avvio ritardato e relativa spia
9. Tasto Pastiglia e relativa spia
10. Tasto Avvio/Pausa e relativa spia / Scarico

PRIMO UTILIZZO

SALE, BRILLANTANTE E DETERSIVO


SUGGERIMENTO PER IL PRIMO UTILIZZO

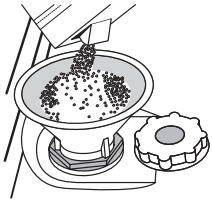
Dopo aver completato l'installazione, togliere i fermi dai cestelli e gli elementi elastici di ritegno dal cestello superiore.

RIFORMIMENTO DEL SERBATOIO DEL SALE

L'uso di sale previene la formazione di CALCARE sulla superficie dei piatti e sui componenti della macchina.

- È indispensabile che **IL SERBATOIO DEL SALE SIA SEMPRE RIFORMITO**.
- È essenziale quindi che il livello di durezza dell'acqua sia stato impostato.

Il serbatoio del sale è situato nella parte inferiore della lavastoviglie (vedere DESCRIZIONE PRODOTTO) e deve essere obbligatoriamente rifornito ogni volta che l'indicatore di RIEMPIMENTO SALE  sul pannello comandi si accende.



1. Togliere il cestello inferiore e svitare il tappo del serbatoio (ruotare in senso antiorario).
2. **Solo la prima volta: riempire d'acqua il serbatoio del sale.**
3. Sistemare opportunamente l'imbuto (vedere figura) e rifornire il serbatoio del sale fino all'orlo (circa 1 kg); Non è inconsueto che l'acqua trabocchi leggermente.
4. Togliere l'imbuto ed eliminare qualsiasi residuo di sale dall'areacirostante l'apertura.

Accertarsi che il tappo sia adeguatamente serrato per evitare l'ingresso di detersivo all'interno della vaschetta durante il programma di lavaggio (ciò potrebbe causare il danneggiamento del dispositivo addolcente senza possibilità di riparazione).




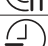

Ogni volta che è necessario aggiungere sale, è obbligatorio eseguire la procedura prima dell'inizio del ciclo di lavaggio per evitare rischi di corrosione.

IMPOSTAZIONE DELLA DUREZZA DELL'ACQUA

Per consentire che il dispositivo addolcente dell'acqua agisca al meglio, è essenziale che l'impostazione del livello di durezza dell'acqua tenga conto della sua durezza effettiva nell'utenza domestica. È possibile ottenere il valore di durezza dell'acqua nell'utenza domestica rivolgendosi al proprio fornitore.

Il valore predefinito per la durezza dell'acqua viene impostato in fabbrica.

- Azionare l'apparecchio agendo sul tasto **ACCENSIONE/SPEGNIMENTO**.
- Disattivare l'apparecchio agendo sullo stesso tasto **ACCENSIONE/SPEGNIMENTO**.
- Tenere premuto il tasto **AVVIO/Pausa** per 5 secondi, fino a udire il segnale corrispondente.
- Azionare l'apparecchio agendo sul tasto **ACCENSIONE/SPEGNIMENTO**.
- La spia che indica il programma correntemente impostato lampeggia.
- Premere il tasto **P** per selezionare il livello di durezza dell'acqua richiesto (vedere TABELLA DEI LIVELLI DI DUREZZA DELL'ACQUA).

Tabella di durezza dell'acqua					
Livello			°dH	°fH	°Clark
			Gradi tedeschi	Gradi francesi	Gradi inglesi
1	Dolce		0 - 6	0 - 10	0 - 7
2	Moderatamente dolce		7 - 11	11 - 20	8 - 14
3	Medio		12 - 16	21 - 29	15 - 20
4	Dura		17 - 34	30 - 60	21 - 42
5	Molto dura		35 - 50	61 - 90	43 - 62

- Disattivare l'apparecchio agendo sullo stesso tasto **ACCENSIONE/SPEGNIMENTO**.

La procedura di impostazione è stata completata!

Non appena completata tale procedura, avviare uno dei programmi senza carico.


Utilizzare soltanto sale di tipo specifico per lavastoviglie.

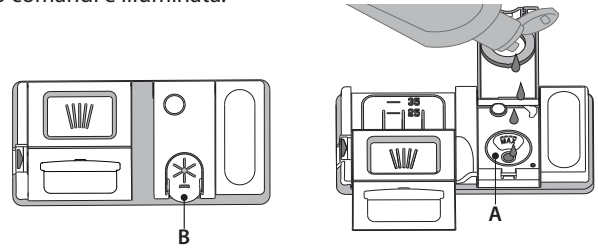
Dopo aver versato il sale all'interno della macchina, la spia riempimento SALE si spegne.

La mancanza di sale nel serbatoio potrebbe danneggiare l'addolcitore d'acqua e la resistenza per effetto dell'accumulo di calcare.

L'uso del sale è consigliato con qualsiasi tipo di detersivo per lavastoviglie.

RIEMPIMENTO DEL DISTRIBUTORE BRILLANTANTE

L'utilizzo di brillantante facilita il processo di ASCIUGATURA delle stoviglie. Il distributore di brillantante **A** deve essere riempito ogni volta che a spia dell' **INDICATORE DI RIEMPIMENTO BRILLANTANTE**  sul pannello comandi è illuminata.



1. Aprire il distributore **B** esercitando opportuna pressione e quindi sollevando la linguetta posta sul coperchio.
2. Versare delicatamente il brillantante fino al segno che indica il livello di riferimento massimo (110 ml), ma evitandone la fuoriuscita. Nel caso in cui ciò si verifici, asciugare immediatamente il liquido fuoriuscito mediante un panno asciutto.
3. Abbassare il coperchio fino ad avvertire lo scatto che ne segnala la chiusura. **Non versare MAI il brillantante direttamente all'interno della vaschetta.**

REGOLAZIONE DEL DOSAGGIO DI BRILLANTANTE

Se non si è completamente soddisfatti del processo di asciugatura, è possibile regolare la quantità di brillantante da utilizzare.

- Azionare la lavastoviglie agendo sul tasto **ACCENSIONE/SPEGNIMENTO**.
- Disattivare la lavastoviglie utilizzando lo stesso tasto **ACCENSIONE/SPEGNIMENTO**.
- Premere tre volte il tasto **AVVIO/Pausa**: si avverte il segnale corrispondente.
- Azionare la lavastoviglie mediante il tasto **ACCENSIONE/SPEGNIMENTO**.
- La spia che indica il programma correntemente impostato lampeggia.
- Premere sul tasto **P** per impostare il livello di brillantante corrispondente alla quantità richiesta.
- Disattivare utilizzando il tasto **ACCENSIONE/SPEGNIMENTO**.

La procedura di impostazione è stata completata!

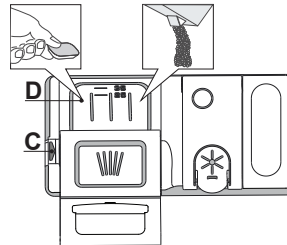
Nel caso in cui il livello di brillantante sia impostato su 1 (ECO), il brillantante non viene erogato.

A seconda del modello di lavastoviglie è possibile impostare al massimo 5 livelli di dosaggio. Le impostazioni di fabbrica dipendono dal modello; seguire le istruzioni precedenti in base alle caratteristiche del proprio apparecchio.

- In presenza di strisce con sfumature blu sulla superficie dei piatti, impostare un livello di dosaggio basso (2-3).
- In presenza di gocce d'acqua o di calcare sulla superficie dei piatti impostare invece dosaggi alti (4-5).

RIEMPIMENTO DEL DISTRIBUTORE DETERSIVO

Per aprire il distributore detersivo utilizzare il dispositivo di apertura C. Versare il detersivo esclusivamente nel distributore D asciutto. Mettere la dose di detersivo per il prelavaggio direttamente all'interno del distributore.

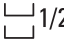



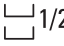



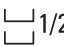






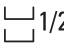



1. Per il dosaggio corretto del detersivo fare riferimento ai dati sopra riportati. La vaschetta **D** contiene indicatori di livello per facilitare il dosaggio del detersivo.
2. Eliminare eventuali residui di detersivo dai bordi del distributore e chiudere il coperchio fino ad avvertire lo scatto caratteristico.
3. Chiudere il coperchio del distributore sollevandolo fino a portare il dispositivo di chiusura in sede.

Il distributore del detersivo si apre automaticamente quando previsto dal programma in uso. Se si utilizzano detersivi del tipo „All in one“, si consiglia di servirsi del tasto **PASTIGLIA** per impostare il programma in modo da ottenere sempre i migliori risultati nel lavaggio e nell'asciugatura.

L'uso di un detersivo non specifico per lavastoviglie potrebbe causare malfunzionamenti o danni all'apparecchio.

TABELLA DEI PROGRAMMI

Programma	Fase di asciugatura	Opzioni disponibili *)	Durata programma di lavaggio (h:min)**)	Consumo d'acqua (litri/ciclo)	Consumo energetico (kWh/ciclo)
1. Eco ECO 50°	✓	  	3:35	9,5	0,95
2. Intensivo  65°	✓	  	2:40	18,0	1,60
3. Misto  55°	✓	  	2:15	16,0	1,40
4. Rapido 28'  50°	✗	 	0:28	9,0	0,50
5. Ammollo  -	✗	 	0:12	4,7	0,01

La misurazione dei dati per la creazione del programma ECO avviene in condizioni di laboratorio secondo quanto prescritto dalle norme europee EN 60436:2020. Nota per i laboratori di Prove:

per informazioni sulle condizioni della prova comparativa EN, farne richiesta all'indirizzo: dw_test_support@europeanappliances.com

Questi programmi non richiedono un pre-trattamento delle stoviglie.

*) Non è possibile selezionare tutte le opzioni contemporaneamente.

***) Ad eccezione del programma Eco, i valori riportati per gli altri programmi sono puramente indicativi. La durata effettiva può dipendere da molti fattori, quali la temperatura e la pressione dell'acqua di alimentazione, la temperatura ambiente, la dose di detersivo utilizzata, la quantità e il tipo di carico e il suo bilanciamento, la selezione di determinate opzioni e la taratura dei sensori. La taratura dei sensori può prolungare la durata dei programmi anche di 20 minuti.

DESCRIZIONE DEI PROGRAMMI

Istruzioni per selezionare il ciclo di lavaggio.

1 ECO

Il programma Eco è indicato per le stoviglie mediamente sporche; è il programma più efficiente in termini di consumo combinato di acqua ed energia per questo tipo di stoviglie e viene usato per valutare la conformità dell'apparecchio alla legislazione UE in materia di progettazione ecocompatibile.

2 INTENSIVO

Programma consigliato per stoviglie molto sporche, particolarmente indicato per padelle e tegami (non adatto per oggetti delicati).

3 MISTO

Carichi misti. Per piatti con sporco normale e residui secchi di cibo.

4 RAPIDO 28'

Programma indicato per un mezzo carico di stoviglie poco sporche e prive di residui secchi. Non è prevista una fase di asciugatura.

5 AMMOLLO

Da utilizzare per sciacquare le stoviglie da lavare successivamente. Questo programma non richiede detersivo.

Note:

SII ciclo Rapido 28' è indicato per stoviglie poco sporche.

OPZIONI E FUNZIONI

È possibile selezionare le varie OPZIONI premendo direttamente il tasto corrispondente (vedi PANNELLO COMANDI).

In caso di opzione non compatibile con il programma selezionato vedere la TABELLA DEI PROGRAMMI, il LED corrispondente lampeggia 3 volte in rapida successione ed emette i previsti segnali acustici. L'opzione non è in tal caso abilitata.

1/2 **MEZZO CARICO**

Nel caso in cui i piatti da lavare siano pochi, per limitare il consumo di acqua, elettricità e detersivo si può utilizzare il programma Mezzo carico. Selezionare il programma e premere il tasto MEZZO CARICO: la spia corrispondente si illumina. Premere il tasto MEZZO CARICO per deselezionare l'opzione in oggetto. **Ricordarsi di dimezzare la dose di detersivo.**

h. **AVVIO RITARDATO**

È possibile ritardare il momento previsto per l'avvio del programma di **2, 4** oppure **8** ore:

1. dopo aver selezionato il programma richiesto e qualsiasi opzione necessaria, premere il tasto **AVVIO RITARDATO**. La spia si illumina.
2. Selezionare il tempo di avvio richiesto premendo ripetutamente sul tasto **AVVIO RITARDATO**. Le spie corrispondenti rispettivamente a 2, 4 e 8 ore si illuminano in successione. La nuova pressione del tasto **AVVIO RITARDATO** causa il disinserimento dell'opzione corrispondente: la spia si spegne.
3. A procedura di selezione conclusa la pressione sul tasto **AVVIO/PAUSA** causa l'inizio del conto alla rovescia. La spia corrispondente al tempo di ritardo selezionato è illuminata e si illumina anche il tasto **Avvio/Pausa** (luce fissa).
4. Una volta trascorso questo periodo di tempo, la spia **AVVIO RITARDATO** si spegne e il programma si avvia.

Una volta avviato il programma non è più possibile impostare la funzione **AVVIO RITARDATO.**

PASTIGLIA

Questa impostazione permette di ottimizzare le prestazioni del programma in base al tipo di detersivo usato.

Se si utilizzano più detersivi in forma di unica pastiglia (brillantante, sale e detersivo in 1 dose) tasto **PASTIGLIA** (la spia si illumina).

In caso di utilizzo di detersivo in polvere o in forma liquida, l'opzione in oggetto deve essere disattivata.

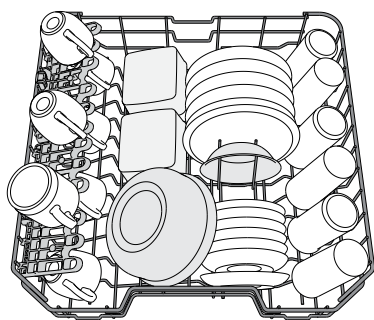
SCARICO

Per interrompere e annullare il ciclo in funzione è possibile servirsi della funzione di **SCARICO**.

La pressione prolungata sul tasto **AVVIO/PAUSA** causa l'attivazione della funzione di **SCARICO**. Il programma in funzione si interrompe e viene scaricata l'acqua presente nella lavastoviglie.

CARICAMENTO DEI CESTELLI

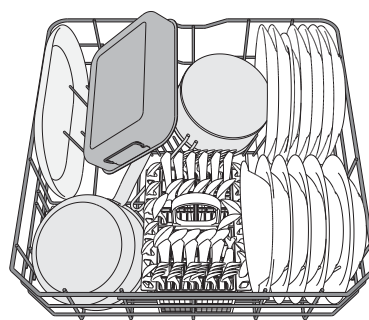
CESTELLO SUPERIORE



(esempio di carico del cestello superiore)

Riporvi i piatti poco resistenti e le stoviglie delicate: vetri, tazze, piattini, insalatiere dai bordi bassi.

CESTELLO INFERIORE



(esempio di carico nel cestello inferiore)

Per pentole, coperchi, piatti, insalatiere, stoviglie, ecc. In teoria conviene disporre piatti e coperchi di grandi dimensioni ai lati, per evitare interferenze con l'elemento aspersore.

REGOLAZIONE IN ALTEZZA DEL CESTELLO SUPERIORE

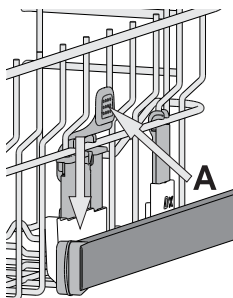
È possibile regolare del cestello superiore nel senso dell'altezza: la posizione rialzata consente di sfruttare al massimo il cestello inferiore per riporvi le stoviglie di dimensioni ingombranti, mentre la posizione ribassata consente di utilizzare le sponde ribaltabili creando lo spazio che esse richiedono e di evitare urti con gli oggetti caricati nel cestello inferiore.

Il cestello superiore è munito di **regolatore in altezza** (vedere figura) che non richiede pressione sulle leve; sollevarlo tenendolo per i lati, non appena si trovi in posizione rialzata.

Per ripristinare la posizione ribassata, agire sulle leve **A** poste ai lati del cestello e abbassare il cestello.

Si raccomanda vivamente di non procedere alla regolazione in altezza di cestelli già caricati.

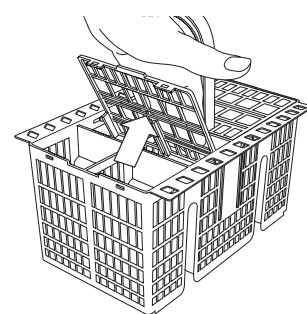
Non rialzare o ribassare MAI il cestello agendo su un lato soltanto.



CESTELLO PORTAPOSATE

Le griglie tuttavia consentono anche di ottimizzare la disposizione delle posate al suo interno. Il cestello portaposate deve essere sistemato soltanto nella parte anteriore del cestello inferiore.

I coltelli e le altre posate con bordi taglienti devono essere riposte nel cestello portaposate con le punte rivolte verso il basso e orizzontalmente nelle sponde ribaltabili del cestello superiore.



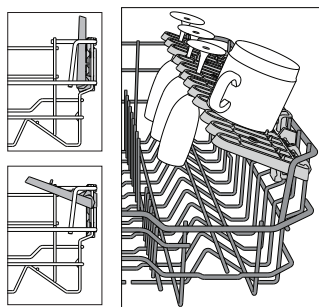
SPONDE RIBALTABILI CON POSIZIONE REGOLABILE

Le sponde ribaltabili laterali possono essere estese o ripiegate per ottimizzare la disposizione delle stoviglie nel cestello.

Si possono disporre i bicchieri da vino nelle sponde ribaltabili in modo assolutamente sicuro, inserendone lo stelo negli appositi spazi.

In base al modello:

- per estendere le sponde occorre farle scorrere verso l'alto e ruotarle oppure sganciarle dai fermi e abbassarle.
- per ripiegare le sponde occorre ruotarle e farle scorrere verso il basso oppure sollevarle e agganciarle ai



USO QUOTIDIANO

1. VERIFICA DEL COLLEGAMENTO ALLA RETE IDRICA

Verificare che la lavastoviglie sia collegata alla rete idrica e che il rubinetto dell'acqua sia aperto.

2. AZIONAMENTO DELLA LAVASTOVIGLIE

Premere il tasto **ACCENSIONE/SPEGNIMENTO**.

3. CARICAMENTO DEI CESTELLI (vedere CARICAMENTO DEI CESTELLI).

4. RIEMPIMENTO DEL DISTRIBUTORE DETERATIVO

5. SELEZIONARE IL PROGRAMMA E ADATTARE IL CICLO SECONDO NECESSITÀ

Selezionare il programma più adatto in base al tipo di stoviglie e alla quantità di sporco in essi presente (vedere la DESCRIZIONE DEI PROGRAMMI) premendo sul tasto **P**.

Selezionare le opzioni richieste (vedere OPZIONI E FUNZIONI).

6. AVVIO

Avviare il ciclo di lavaggio mediante pressione sul tasto **AVVIO/PAUSA**. All'avvio del programma selezionato si avvia il segnale corrispondente.

7. FINE DEL CICLO DI LAVAGGIO

La fine del ciclo di lavaggio è indicata da segnali acustici e dal lampeggiamento della spia del programma selezionato. Aprire la porta e disattivare l'apparecchio premendo sul tasto **ACCENSIONE/SPEGNIMENTO**. Per evitare bruciature, prima di togliere le stoviglie attendere pochi minuti. Scaricare i cestelli, iniziando da quello inferiore.

La macchina si disattiva automaticamente nel corso di determinati periodi di inattività prolungata, al fine di ridurre al minimo il consumo di elettricità. Se le stoviglie sono soltanto leggermente sporche oppure sono state risciacquate prima di essere poste nella lavastoviglie, ridurre in proporzione la dose di detersivo da utilizzare.

MODIFICA DI UN PROGRAMMA IN CORSO

Nel caso in cui sia stato selezionato il programma sbagliato, è possibile apportarvi le modifiche necessarie a condizione che esso sia appena iniziato: tenere premuto il tasto **ACCENSIONE/SPEGNIMENTO**: la macchina si disattiva.

Azionare nuovamente la macchina agendo sul tasto **ACCENSIONE/SPEGNIMENTO** e selezionare il nuovo ciclo di lavaggio con qualsiasi opzione richiesta; avviare il ciclo premendo sul tasto **AVVIO/PAUSA**.

AGGIUNTA DI ALTRE STOVIGLIE

Senza spegnere la macchina, aprire la porta (**fare attenzione al vapore CALDO!**) e sistemare le posate all'interno della lavastoviglie. Chiudere la porta e premere il tasto **AVVIO/PAUSA**: il ciclo riprende dal punto in cui si era interrotto.

INTERRUZIONI ACCIDENTALI

In caso di apertura della porta durante il ciclo di lavaggio, o in caso di mancanza dell'alimentazione elettrica, il ciclo si interrompe. Una volta chiusa la porta o ripristinata l'alimentazione elettrica, per riprendere il funzionamento del ciclo dal punto in cui era stato interrotto, premere il tasto **AVVIO/PAUSA**.

AVVISI E CONSIGLI

CONSIGLI

Prima di caricare i cestelli, eliminare tutti i residui di cibo dalle stoviglie e vuotare i bicchieri. **Non occorre il risciacquo sotto acqua corrente prima del caricamento.**

Sistemare le stoviglie in modo che rimangano in sede e non si possano ribaltare; e sistemare le vaschette con le aperture rivolte verso il basso e le parti concave/complesse disposte obliquamente, per consentire all'acqua di lavaggio di raggiungere ogni superficie e scorrervi liberamente.

Avvertenza: coperchi, maniglie, vassoi e padelle non devono ostacolare la rotazione degli aspersori.

Riporre tutti gli oggetti di piccole dimensioni nel cestello portaposate.

Quando molto sporche, riporre piatti e pentole nel cestello inferiore poiché nel relativo settore gli aspersori svolgono un'azione più intensa e consentono migliori prestazioni nel lavaggio.

Una volta completata la procedura di carico, accertarsi che gli aspersori possano ruotare liberamente.

STOVIGLIE DI TIPO NON ADATTO

- Stoviglie e posate in legno.
- Bicchieri decorati, pezzi di artigianato e piatti antichi. Le decorazioni non sono sufficientemente resistenti.
- Componenti in materiali sintetici che non resistono alle temperature elevate.
- Stoviglie in rame e stagno.
- Stoviglie sporche di cenere, cera, grasso lubrificante o inchiostro.

Durante la fase di lavaggio i colori delle decorazioni di bicchieri e pezzi in alluminio/argento possono sbiadire. Alcuni tipi di bicchieri (es. i bicchieri in cristallo) possono divenire opachi anche soltanto dopo un certo numero di lavaggi.

CONSIGLI PER IL RISPARMIO ENERGETICO

- Se la lavastoviglie viene usata secondo le istruzioni del produttore, **il lavaggio delle stoviglie a macchina comporta normalmente un MINORE CONSUMO DI ENERGIA e acqua rispetto al lavaggio a mano.**
- Per ottimizzare l'efficienza della lavastoviglie si raccomanda di **avviare il ciclo di lavaggio con l'apparecchio a pieno carico.** Caricando la lavastoviglie fino alla capacità indicata dal produttore si contribuirà a ridurre i consumi d'acqua e di energia. Per informazioni sul caricamento corretto delle stoviglie, leggere la sezione CARICAMENTO DEI CESTELLI. In caso di carico parziale, si raccomanda di usare le apposite opzioni di lavaggio, se disponibili (Mezzo carico/ Zone Wash/ Multizona), caricando solo i cestelli selezionati. Un caricamento non corretto o eccessivo della lavastoviglie può aumentare il consumo di risorse (acqua, energia e tempo, oltre a una maggiore rumorosità) e ridurre le prestazioni di lavaggio e asciugatura.
- Il pre-risciacquo delle stoviglie comporta un maggiore consumo di acqua ed energia e non è consigliato.

DANNEGGIAMENTO DI BICCHIERI E STOVIGLIE

- Utilizzare soltanto bicchieri e porcellane garantite dal produttore per il lavaggio in lavastoviglie.
- Utilizzare un detersivo delicato e adatto al tipo di stoviglie in questione.
- Togliere i bicchieri e gli altri elementi dalla lavastoviglie non appena sia terminato il ciclo di lavaggio.

IGIENIZZANTE

Per evitare la formazione di cattivi odori e sedimenti vari all'interno della lavastoviglie avviare un programma che preveda temperature elevate almeno una volta al mese. Per eseguire la pulizia dell'apparecchio utilizzare un cucchiaino di detersivo e avviare il ciclo in assenza di carico.

MANUTENZIONE E PULIZIA

PULIZIA DEL GRUPPO FILTRO

Pulire regolarmente il gruppo filtro in modo che nei relativi elementi non si formino ostruzioni e che l'acqua vi scorra regolarmente.

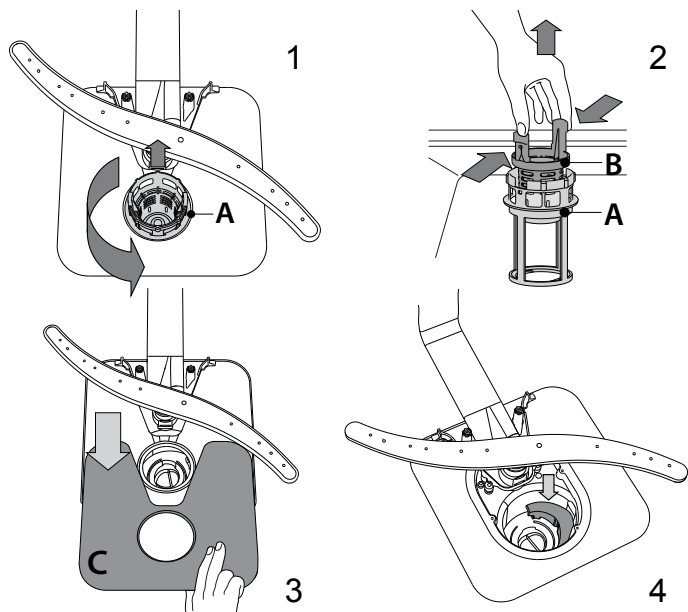
L'uso della lavastoviglie con i filtri ostruiti, o con oggetti estranei nel sistema filtrante o nei bracci irroratori, può causare malfunzionamenti e determinare una perdita di prestazioni, un aumento della rumorosità o un maggiore consumo di risorse.

Il gruppo filtro è composto da tre elementi filtranti che eliminano la presenza di residui di cibo dall'acqua di lavaggio, rimettendola in circolo ai fini del programma: per ottenere le migliori prestazioni durante il lavaggio è necessario che tali elementi siano sempre puliti.

Non utilizzare mai la lavastoviglie priva dei filtri o con i filtri allentati.

Almeno una volta al mese o ogni 30 cicli di lavaggio, verificare lo stato del gruppo filtro e se necessario pulirlo completamente sotto getto di acqua corrente, servendosi di spazzola metallica e seguendo le istruzioni sotto riportate:

1. Ruotare il filtro cilindrico **A** in senso antiorario, quindi estrarlo (Fig. 1).
2. Smontare il filtro a tazza **B** esercitando una leggera pressione sulle sponde laterali (Fig. 2).
3. Far scorrere il filtro a piastra in acciaio inossidabile **C**, fino ad estrarlo (Fig. 3).
4. Se si trovano oggetti estranei (frammenti di vetro, porcellana, ossa, semi di frutta, ecc.), rimuoverli con attenzione.
5. Esaminare il sifone ed eliminare la presenza di qualsiasi residuo di cibo. **NON TOGLIERE MAI** l'elemento di protezione della pompa di lavaggio (dettaglio di colore nero) (Fig 4).



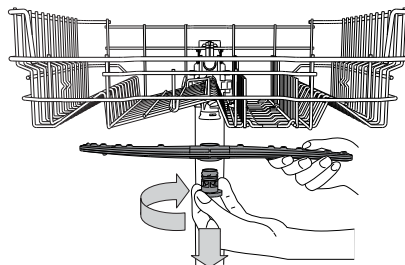
Dopo aver pulito i filtri, rimontare il gruppo e fissarlo correttamente in sede ciò è fondamentale per garantire l'efficienza della lavastoviglie.

PULIZIA DEL TUBO DI CARICO ACQUA

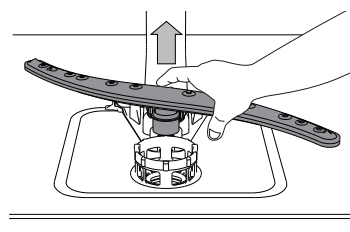
Se i tubi dell'acqua sono nuovi o sono rimasti inutilizzati per un periodo prolungato, prima di eseguire i raccordi necessari far scorrere l'acqua per controllare che sia pulita e priva di impurità. In assenza di tale precauzione, il tubo di carico acqua può risultare ostruito con conseguente danneggiamento della lavastoviglie.

PULIZIA DEI BRACCI ASPERSORI

I residui di cibo possono occasionalmente formare incrostazioni sui bracci aspersori e bloccare i fori utilizzati per l'irrorazione dell'acqua. Si raccomanda pertanto di ispezionare di volta in volta i bracci e di pulirli mediante piccola spazzola metallica.



Per smontare il braccio aspersore superiore, ruotare l'anello di bloccaggio in plastica in senso orario. Il rimontaggio del braccio aspersore deve avvenire in modo che il lato con il maggior numero di fori sia rivolto verso l'alto.



È possibile smontare l'elemento aspersore del cestello inferiore sollevandolo verso l'alto.

SISTEMA DI ADDOLCIMENTO DELL'ACQUA

L'addolcitore riduce automaticamente la durezza dell'acqua, impedendo la formazione di calcare sulla serpentina e contribuendo a migliorare l'efficienza di lavaggio.

Questo sistema si rigenera con il sale, che deve essere perciò rabboccato quando il serbatoio del sale è vuoto.

La frequenza di rigenerazione dipende dal livello di durezza impostato - con la durezza dell'acqua impostata al livello **3**, la rigenerazione avviene ogni **6** cicli Eco.

Il processo di rigenerazione inizia durante il risciacquo finale e termina nella fase di asciugatura, prima del termine del ciclo.

- Ogni rigenerazione comporta: un consumo di ~3,5 litri d'acqua;
- Un prolungamento di 5 minuti della normale durata del ciclo;
- Un consumo di energia minore di 0,005 kWh.

RISOLUZIONE DEI PROBLEMI

Se la lavastoviglie non funziona correttamente, provare a risolvere il problema consultando l'elenco sotto riportato. Per errori o problemi di altro tipo, contattare un Servizio Assistenza Tecnica autorizzato; i dati di contatto sono riportati nel libretto di garanzia. I ricambi saranno disponibili per un periodo fino a 7 o fino a 10 anni, secondo i requisiti specifici del regolamento.

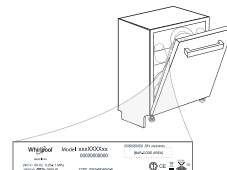
PROBLEMI	POSSIBILI CAUSE	SOLUZIONE
 L'indicatore del sale è acceso	Il serbatoio del sale è vuoto. (È possibile che, dopo aver riempito il serbatoio, la spia del sale resti accesa per diversi cicli di lavaggio).	Riempire il serbatoio con sale (per ulteriori informazioni, vedere pagina 2). Regolare la durezza dell'acqua - vedere la tabella a pagina 2.
 L'indicatore del brillantante è acceso	La vaschetta del brillantante è vuota. (È possibile che, dopo aver riempito la vaschetta, la spia del brillantante resti accesa per diversi cicli di lavaggio).	Riempire la vaschetta con brillantante (per ulteriori informazioni, vedere pagina 2)
La lavastoviglie non si avvia o i comandi non rispondono.	L'apparecchio non è stato collegato correttamente all'alimentazione elettrica.	Inserire la spina nella presa di corrente.
	Mancanza di corrente.	Per ragioni di sicurezza, la lavastoviglie non si riavvia automaticamente al ripristino della corrente elettrica. Premere il tasto AVVIO/Pausa per riprendere il ciclo.
	Mancata chiusura della porta lavastoviglie.	Spingere con decisione la porta fino ad avvertire il caratteristico "clic".
	Il ciclo è stato interrotto con l'apertura dello sportello per più di 4 secondi.	Chiudere la porta e premere il tasto AVVIO/Pausa.
Lo scarico della lavastoviglie non avviene.	Mancato funzionamento dei vari comandi.	Spegner l'apparecchio premendo il tasto ACCENSIONE/SPEGNIMENTO, riaccenderlo dopo circa un minuto e riavviare il programma. Se il problema persiste, staccare l'apparecchio dalla rete elettrica per 1 minuto, quindi ricollegarlo.
	Ciclo di lavaggio non ancora concluso.	Attendere la conclusione del ciclo di lavaggio.
	Tubo di scarico piegato.	Verificare che il tubo di scarico non sia piegato (vedere le ISTRUZIONI DI INSTALLAZIONE).
	Tubo di scarico del lavandino ostruito.	Pulire il tubo di scarico del lavandino.
La rumorosità della lavastoviglie è eccessiva.	Ostruzione filtro a causa di residui di cibo	Pulire il filtro (vedere PULIZIA DEL GRUPPO FILTRO).
	Urto dei piatti tra loro durante il lavaggio.	Sistemare le stoviglie nel modo corretto (vedere CARICAMENTO DEI CESTELLI).
I piatti non risultano puliti.	Produzione eccessiva di schiuma.	Il dosaggio del detersivo non è stato stabilito in modo corretto oppure il detersivo non è del tipo adatto alle lavastoviglie (vedere RIEMPIMENTO DELLA VASCHETTA DEL DETERSIVO). Ripristinare la lavastoviglie premendo il tasto di SCARICO (vedere OPZIONI E FUNZIONI) e avviare il programma nuovo senza detersivo.
	Errata disposizione delle stoviglie.	Sistemare le stoviglie nel modo corretto (vedere CARICAMENTO DEI CESTELLI).
	Impedimento nella rotazione dei bracci aspersori a causa dell'interferenza dei piatti.	Sistemare le stoviglie nel modo corretto (vedere CARICAMENTO DEI CESTELLI).
	Il ciclo di lavaggio è eccessivamente delicato.	Selezionare il programma adatto (vedere la TABELLA DEI PROGRAMMI).
	Produzione eccessiva di schiuma.	Il dosaggio del detersivo non è stato stabilito in modo corretto oppure il detersivo non è del tipo adatto alle lavastoviglie (vedere RIEMPIMENTO DEL DISTRIBUTORE DETERSIVO).
	Tappo sul vano brillantante non correttamente chiuso.	Accertarsi che il tappo sul distributore brillantante sia chiuso.
La lavastoviglie non esegue il carico dell'acqua. Tutti i LED lampeggiano rapidamente.	Filtro sporco oppure ostruito.	Pulire il gruppo filtro (vedere CURA E MANUTENZIONE).
	Mancanza di sale.	Riempire il serbatoio del sale (vedere RIEMPIMENTO DEL SERBATOIO SALE).
	Assenza di alimentazione idrica o rubinetto chiuso.	Accertarsi che il tubo di alimentazione idrica contenga l'acqua necessaria o che il rubinetto sia aperto.
La lavastoviglie termina il ciclo di lavaggio troppo presto.	Il tubo di carico è piegato	Accertarsi che il tubo di carico non sia piegato (vedere INSTALLAZIONE) e riprogrammare la lavastoviglie e riavviarla.
	L'elemento filtrante nel tubo di carico è ostruito; è necessario pulirlo.	Dopo aver eseguito le operazioni di ispezione e pulizia, spegnere e accendere la lavastoviglie e avviare un programma nuovo.
La perdita di detersivo.	Il tubo di scarico è posizionato troppo in basso o crea un effetto sifone nell'impianto di scarico domestico.	Controllare che l'estremità del tubo di scarico si trovi all'altezza corretta (vedere INSTALLAZIONE). Verificare eventuali effetti sifone nell'impianto di scarico domestico; se necessario, installare una valvola di ingresso aria.
	Aria nel tubo di mandata dell'acqua.	Controllare che non vi siano perdite nell'impianto idraulico o altri problemi che causino l'ingresso di aria.
	Dipende dal detersivo liquido utilizzato e può essere accentuata in caso di opzione di ritardo attivata.	Piccole perdite non causano malfunzionamenti della macchina e possono essere evitate cambiando il tipo di detersivo liquido o utilizzando le pastiglie.

Documentazione normativa, documentazione standard, ordinazione di pezzi di ricambio e altre informazioni sul prodotto possono essere reperite:

- Utilizzo del codice QR sul prodotto.
- Visitando il nostro sito web docs.hotpoint.eu e parts-selfservice.europeanappliances.com
- Oppure, **contattare il Servizio Assistenza Tecnica** (al numero di telefono riportato sul libretto di garanzia).

Quando si contatta il Servizio Assistenza Tecnica, fornire i codici presenti sulla targhetta matricola del prodotto. I dati del modello possono essere richiamati usando il codice QR riportato sull'etichetta energetica.

L'etichetta riporta anche il codice identificativo del modello che può essere utilizzato per consultare il portale di registrazione su <https://eprel.ec.europa.eu>.



ДНЕВЕН РЕФЕРЕНТЕН ВОДИЧ

МК



ВИ БЛАГОДАРИМЕ ШТО КУПИВТЕ ПРОИЗВОД
НА HOTPOINT ARISTON.

За да добиете поцелосна помош, ве молиме регистрирајте
го вашиот апарат на: www.hotpoint.eu/register

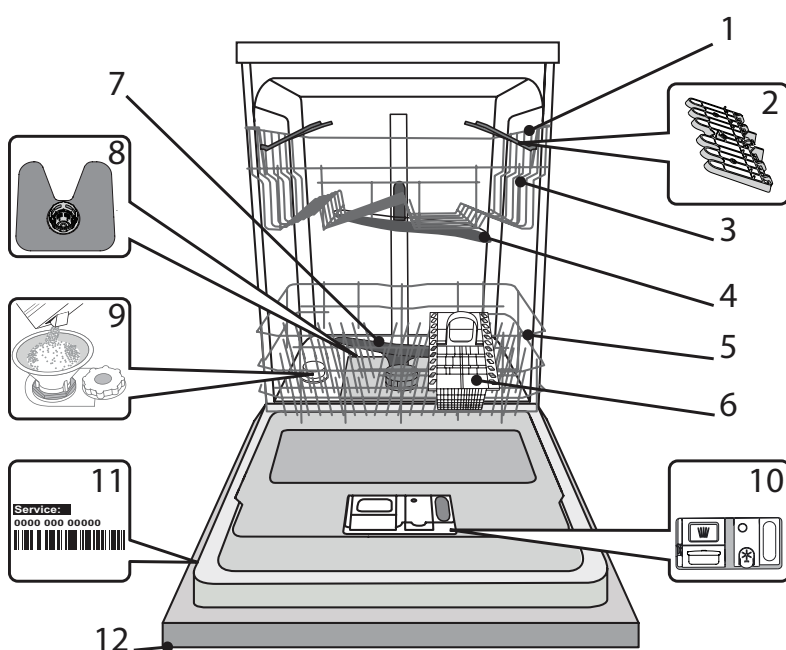
ВЕ МОЛИМЕ СКЕНИРАЈТЕ ГО
QR-КОДОТ НА ВАШИОТ ПРОИЗ-
ВОД ЗА ДА ИМАТЕ ПОДЕТАЛНИ
ИНФОРМАЦИИ.



⚠ Пред да го користите апаратот, внимателно прочитајте го Водичот за безбедносни упатства.

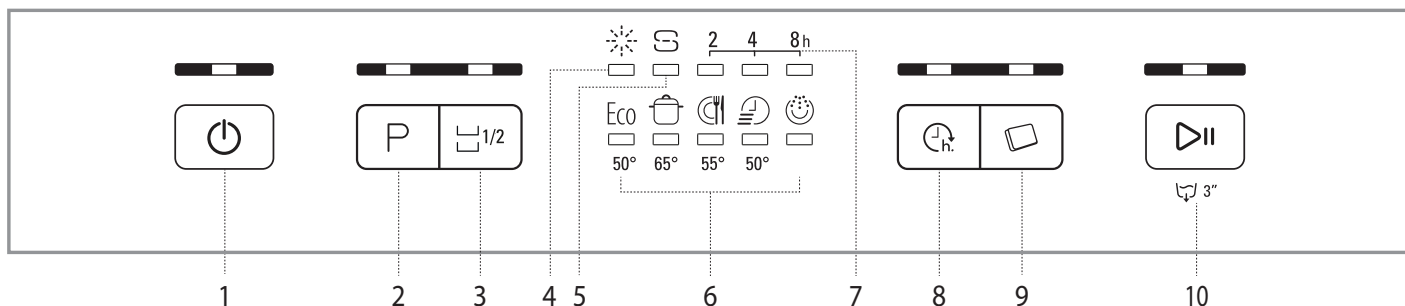
ОПИС НА ПРОИЗВОДОТ

АПАРАТ



1. Горна решетка
2. Склопливи клапи
3. Горна решетка Регулрање на висината
4. Горна рачка за прскање
5. Долна решетка
6. Кошница за прибор
7. Долна рачка за прскање
8. Филтер Склоп
9. Резервоар за сол
10. Резервоар за детергент и средство за плакнење
11. Плоча со ознака
12. Контролна табла

КОНТРОЛЕН ПАНЕЛ



1. ON-OFF/Копче за ресетирање со индикаторско светло
2. Копче за избор на програма со индикаторско светло
3. Индикаторско светло за Половина Полнење со индикаторско светло
4. Број на програма и индикатор за одложено време
5. Индикаторско светло за Помош за Плакнење
6. Индикаторско светла на програмата
7. Показните светла за Одложување
8. Копче за Одложување со индикаторско светло
9. Копче Таблет (Tab) со индикаторско светло
10. Копче ПОЧЕТОК/Пауза со индикаторско светло / Исцедете

Hotpoint

ARISTON

ПРВ ПАТ КОРИСТЕЊЕ СОЛ, СРЕДСТВО ЗА ПЛАКНЕЊЕ И ДЕТЕРГЕНТ

СОВЕТ ЗА ПРВА УПОТРЕБА

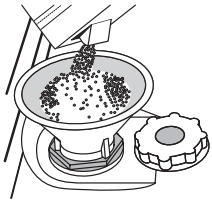
По монтажата, извадете ги запирачите од решетките и елементите за прицврстување од горната решетка.

ПОЛНЕЊЕ НА РЕЗЕРВОАРОТ ЗА СОЛ

Употребата на сол го спречува создавањето на ВАРОВНИК на сатовите и на функционалните компоненти на машината.

- Задолжително е **РЕЗЕРВОАРОТ ЗА СОЛ НИКОГАШ** да **НЕ БИДЕ ПРАЗЕН**.
- Важно е да ја поставите тврдоста на водата.

Резервоарот за сол се наоѓа во долниот дел на машината за миене садови (видете ОПИС НА ПРОИЗВОДОТ) и мора да се наполни кога свети **индикаторското светло за ПОПОЛНУВАЊЕ СОЛ S** во контролната табла.



1. Отстранете ја долната решетка и одвртете го капачето на резервоарот (спротивно од стрелките на часовникот).
2. **Само првиот пат кога ќе го направите ова: наполнете го резервоарот за сол со вода.**
3. Поставете ја инката (види слика) и наполнете го резервоарот за сол до нејзиниот раб (приближно 1 кг); не е невообичаено да истече малку вода.

4. Отстранете ја инката и избришете ги остатоците од сол од отворот. Проверете дали капачето е цврсто зашрафено, за да не може да влезе детергент во садот за време на програмата за миене (ова може да го оштети омекнувачот на вода трајно).

Секогаш кога треба да додадете сол, задолжително е да ја завршите постапката пред почетокот на циклусот на перење за да избегнете корозија.

ПОСТАВУВАЊЕ НА ТВРДОСТА НА ВОДАТА

За да се овозможи омекнувачот на вода да работи на совршен начин, неопходно е поставката за тврдост на водата да се заснова на вистинската тврдост на водата во вашата куќа. Овие информации може да се добијат од вашиот локален снабдувач со вода.

Фабриката ја поставува стандардната вредност за тврдоста на водата.

- Вклучете го апаратот со притискање на копчето **ON/OFF**.
- Исклучете го апаратот со притискање на копчето **ON/OFF**.
- Држете го копчето **СТАРТ/Пауза** 5 секунди, додека не слушнете звучен сигнал.
- Вклучете го апаратот со притискање на копчето **ON/OFF**.
- Програмското индикаторско светло на тековното поставено ниво трепка
- Притиснете го копчето **P** за да го изберете саканото ниво на тврдост (видете ТАБЕЛА ЗА ТРЖЛИВОСТ НА ВОДА).

Табела За Тврдоста На Вода

Ниво		°dH Германски степен	°fH Француски степен	°Clark Англиски степен
1	Мека	0 - 6	0 - 10	0 - 7
2	Средна	7 - 11	11 - 20	8 - 14
3	Просечна тврда	12 - 16	21 - 29	15 - 20
4	Тврда	17 - 34	30 - 60	21 - 42
5	Многу тврда	35 - 50	61 - 90	43 - 62

- Исклучете го апаратот со притискање на копчето **ON/OFF**.

Поставувањето е завршено!

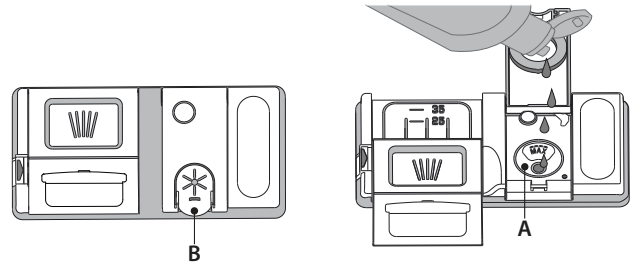
Штом оваа постапка ќе заврши, стартувајте програма без вчитување. **Користете само сол што е специјално дизајнирана за машини за миене садови.**

Откако солта ќе се истури во машината, показното светло за ПОПОЛНУВАЊЕ СОЛ се исклучува.

Ако садот за сол не е наполнет, омекнувачот на вода и грејниот елемент може да се оштетат како резултат на акумулација на бигор. Се препорачува употреба на сол со секаков вид детергент за миене садови.

ПОЛНЕЊЕ НА ДИСПЕНЗЕРОТ ЗА ПЛАКНЕЊЕ

Средството за плакнење го олеснува СУШЕЊЕТО на сатовите. Дозерот за средство за плакнење **A** треба да се наполни кога свети индикаторското светло за **ПЛАКНЕЊЕ REFILL** во контролната табла.



1. Отворете го дозерот **B** со притискање и повлекување на јазичето на капакот.
2. Истурете го средството за плакнење (макс.110 ml), внимавајте да не се прелее од дозерот. Ако тоа се случи, веднаш исчистете го истекувањето со сува крпа.
3. Притиснете го капакот надолу додека не слушнете клик за да го затворите.

НИКОГАШ не истурајте го средството за плакнење директно во кадата на апаратот.

ПРИЛАГОДУВАЊЕ НА ДОЗАТА НА СРЕДСТВОТО ЗА ПЛАКНЕЊЕ

Ако не сте целосно задоволни со резултатите од сушењето, можете да ја прилагодите количината на употребеното средство за плакнење.

- Вклучете ја машината за миене садови користејќи го копчето **ON/OFF**.
- Исклучете го со копчето **ON/OFF**.
- Притиснете го копчето **СТАРТ/Пауза** три пати - ќе се слушне звучен сигнал.
- Вклучете го со копчето **ON/OFF**.
- Програмското индикаторско светло на тековното поставено ниво трепка.
- Притиснете го копчето **P** за да го изберете нивото на количината на средство за плакнење што треба да се испорача.
- Исклучете го со помош на копчето **ON/OFF**.

Поставувањето е завршено!

Ако нивото на средството за плакнење е поставено на 1, нема да се испорача средство за плакнење.

Показното светло РЕЗЕРВОАР ЗА СРЕДСТВО ЗА ПЛАКНЕЊЕ нема да свети ако ви нема средство за плакнење.

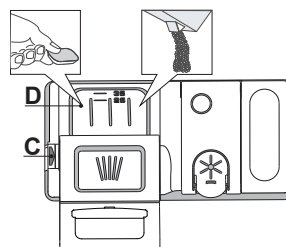
Може да се постават најмногу 5 нивоа според моделот на машината за миене садови.

Фабричкото поставување е специфично за моделот, следете ги упатствата погоре за да го проверите ова за вашата машина.

- Ако видите синкасти ленти на сатовите, поставете мал број (2-3).
- Ако има капки вода или траги од бигор на сатовите, поставете број од среден опсег (4-5).

ПОЛНЕЊЕ НА ДИСПЕНЗЕРОТ ЗА ДЕТЕРГЕНТ

За да го отворите дозерот за детергент, користете го уредот за отворање **C**. Внесете го детергентот само во сувиот дозер **D**. Поставете ја количината на детергент за предмиене директно во кадата.



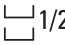
1. Кога го мерите детергентот, погледнете ги споменатите претходни информации за да ја додадете соодветната количина. Внатре во дозерот **D** има индикации кои помагаат во дозирањето на детергентот.
2. Отстранете ги остатоците од детергентот од рабовите на дозерот и затворете го капакот додека не кликне.
3. Затворете го капакот на дозерот за детергент со влечење нагоре додека уредот за затворање не се прицврсти на своето место.

Дозерот за детергент автоматски се отвора во вистинско време според програмата.

Ако се користат сè-во-едно детергенти, препорачуваме да го користите копчето **ТАБЛЕТ**, бидејќи ја прилагодува програмата така што секогаш се постигнуваат најдобри резултати при перење и сушење.

Употребата на детергент што не е наменет за машини за миене садови може да предизвика дефект или оштетување на апаратот.

ТАБЕЛА НА ПРОГРАМИ

Програма	Фаза на сушење	Достапни опции *)	Времетраење на програмата за миење (ч:мин)**	Потрошувачка на вода (литри/циклус)	Потрошувачка на енергија (kWh/циклус)
1. Еко  50°	✓	  	3:35	9,5	0,95
2. Интензивно  65°	✓	  	2:40	18,0	1,60
3. Мешани  55°	✓	  	2:15	16,0	1,40
4. Рапид 28'  50°	✗	 	0:28	9,0	0,50
5. Киснење  -	✗	 	0:12	4,7	0,01

Податоците од програмата ЕКО се мерат во лабораториски услови според европскиот стандард EN 60436:2020.

Забелешка за тест лаборатории: За информации за компаративните услови за тестирање EN, ве молиме испратете е-пошта на следната адреса: dw_test_support@eurolappliance.com

Не е потребен претходен третман на садовите пред некоја од програмите.

*) Не можат сите опции да се користат истовремено.

**) Вредностите дадени за програми различни од еко-програмата се само индикативни. Вистинското време може да варира во зависност од многу фактори како што се температурата и притисокот на влезната вода, собната температура, количината на детергент, количината и типот на полнење, балансирањето на товарот, дополнителните избрани опции и калибрацијата на сензорот. Калибрацијата на сензорот може да го зголеми времетраењето на програмата до 20 мин..

ОПИС НА ПРОГРАМИТЕ

Инструкции за избор на циклус на миење

1 ЕКО

Еко програмата е погодна за чистење на нормално извалкани садови, бидејќи за оваа употреба е најефикасната програма во однос на нејзината комбинирана потрошувачка на енергија и вода и дека се користи за проценка на усогласеноста со законодавството на ЕУ за екодизајн.

2 ИНТЕНЗИВНО

Програма се препорачува за многу извалкани садови, особено погодна за тави и тенџериња (да не се користи за деликатни предмети).

3 МЕШАНИ

Мешано валкани. За нормално извалкани садови со остатоци од сушена храна.

4 РАПИД 28'

Програма што ќе се користи за половина товар на лесно извалкани садови без остатоци од исушена храна. Нема фаза на сушење.

5 КИСНЕЊЕ

Користете го за освежување на садовите што се планира да се мијат подоцна. Не може да се користи детергент со оваа програма.

Забелешки:

Ве молиме имајте предвид тој циклус *Rapid 28'*, е наменет за малку извалкани садови..

ОПЦИИ И ФУНКЦИИ

ОПЦИИ може да се изберат директно со притискање на соодветното копче (видете КОНТРОЛЕН ПАНЕЛ).

Ако некоја опција не е компатибилна со избраната програма (видете ТАБЕЛА НА ПРОГРАМИ), соодветната LED трепка брзо 3 пати и ќе се огласат звучни сигнали. Опцијата нема да биде овозможена.

1/2 ПОЛОВИНА ПОЛНЕЊЕ

Ако нема многу садови за миеење, може да се користи циклус на половина полнење за да се заштеди вода, струја и детергент. Изберете ја програмата и притиснете го копчето ПОЛОВИНА ПОЛНЕЊЕ: индикаторското светло ќе светне. Притиснете го копчето ПОЛОВИНА ПОЛНЕЊЕ за да ја поништите оваа опција. Не заборавајте да ја преполовите количината на детергент.

ТАБЛЕТ (Таб)

Оваа поставка ви овозможува да ги оптимизирате перформансите на програмата според видот на употребениот детергент.

Притиснете го копчето ТАБЛЕТ (показното светло ќе светне) ако користите комбинирани детергенти во форма на таблети (средство за плакнење, сол и детергент во 1 доза).

Ако користите прашок или течен детергент, оваа опција треба да биде исклучена.

h. ОДЛОЖУВАЊЕ

Можно е да се одложи времето на започнување на програмата за **2, 4** или **8** часа:

1. Откако ќе ја изберете саканата програма и сите други опции, притиснете го копчето DELAY. Показното светло ќе се вклучи.
2. Изберете го саканото време на одложување со постојано притискање на копчето DELAY. Показните светла за 2 часа, 4 часа и 8 часа ќе светат последователно. Доколку повторно се притисне копчето DELAY, опцијата се откинува и показното светло се гаси;
3. По процесот на селекција, одбројувањето ќе започне ако се притисне копчето START/Pause. Показното светло за избраниот период на одложување е вклучено и се пали копчето START/Pause (фиксно светло).
4. Штом ќе истече ова време, индикаторот DELAY се гаси и програмата започнува.

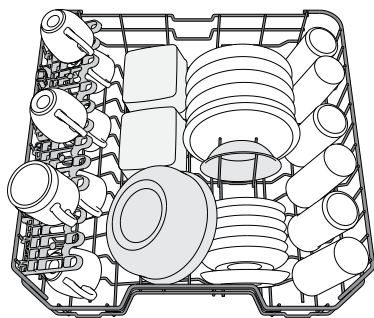
Функцијата DELAY не може да се постави откако ќе се стартува програмата.

ИСЦЕДЕТЕ

За запирање и откажување на активниот циклус, може да се користи функцијата ИСЦЕДЕТЕ. Долго притискање на копчето СТАРТ/Пауза ќе ја активира функцијата ИСЦЕДЕТЕ. Активната програма ќе се прекине и водата во машината за миеење садови ќе се исцеди.

ПОПОЛНУВАЊЕ НА РЕШТКИТЕ

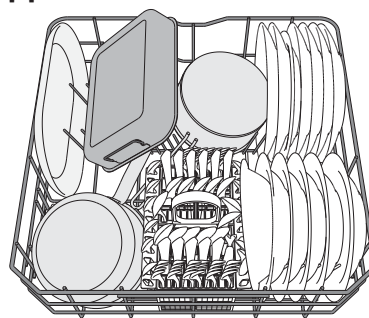
ГОРНА РЕШЕТКА



Ставете деликатни и лесни садови: чаши, шољи, чинии, ниски чинии за салата.

(пример за пополнување на горната решетка)

ДОЛНА РЕШЕТКА



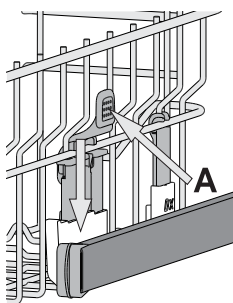
За тенџериња, капаци, чинии, чинии за салата, прибор за јадење итн... Идеално треба да се постават големи чинии и капаци од страните за да се избегнат пречки со рачката за прскање.

(пример за пополнување на долната решетка)

ПРИЛАГОДУВАЊЕ НА ВИСИНАТА НА ГОРНАТА РЕШЕТКА

Висината на горната решетка може да се прилагоди: висока положба за ставање гломазни садови во долната корпа и ниска положба за максимално искористување на потпирачите за капење со создавање повеќе простор нагоре и избегнување судир со ставки натоварени во долната решетка.

Горната решетка е опремена со **регулатор на висината на горниот решетка** (види слика), без притискање на рачките, подигнете ја нагоре со едноставно држење на страните на решетката, штом решетката е стабилна во горната положба. За да се вратите во долната положба, притиснете ги рачките **A** на страните на решетката и поместете ја корпата надолу.



Силно препорачуваме да не ја прилагодувате висината на решетката кога е наполнета.

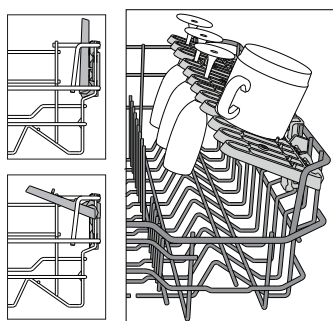
НИКОГАШ не ја кревајте или спуштајте корпата само од едната страна.

СТРАНИЧНИ КЛАПИ СО ПРИЛАГОДЛИВА ПОЛОЖБА

Страничните преклопни клапи може да се преклопат или да се расклопат за да се оптимизира распоредот на садовите во решетката. Чашите за вино може безбедно да се стават во преклопните клапи со вметнување на стеблото на секоја чаша во соодветните отвори.

Во зависност од моделот:

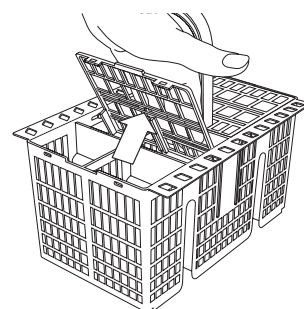
- за да ги одвиткате клапите, потребно е да го лизнете нагоре и да го ротирате или ослободите од прицврстувачите и да го повлечете надолу.
- за да ги свиткате клапите, потребно е да го ротирате и да ги лизнете клапите надолу или да го повлечете нагоре и да ги закачите клапите на клиповите.



КОШНИЦА ЗА ПРИБОР

Кошницата е опремена со врвни решетки за подобрен распоред на приборот за јадење. Корпата за прибор за јадење треба да биде поставена само на предната страна на долната решетка.

Ножевите и другите прибори со остри рабови мора да се стават во корпата за прибор за јадење со точките свртени надолу или мора да бидат поставени хоризонтално во преградите за навртување на горната решетка.



СЕКОЈДНЕВНА УПОТРЕБА

1. ПРОВЕРЕТЕ ГО ПОВРЗУВАЊЕТО ВО ВОДА

Проверете дали машината за миење садови е поврзана со довод на вода и дали славината е отворена.

2. ВКЛУЧЕТЕ ЈА МАШИНАТА ЗА МИЕЊЕ ЗА САДОВИ

Притиснете го копчето **ON/OFF**.

3. ПОЛНЕТЕ ГИ РЕШЕТКИТЕ

(видете ПОПОЛНУВАЊЕ НА РЕШЕТКИТЕ)

4. ПОЛНЕЊЕ НА ДИСПЕНЗЕРОТ ЗА ДЕТЕРГЕНТ

5. ИЗБЕРЕТЕ ЈА ПРОГРАМАТА И ПРИЛАГОДУВАЈТЕ ГО ЦИКЛУСОТ

Изберете ја најсоодветната програма во согласност со типот на садовите и нивото на неговата извалканост (видете ОПИС НА ПРОГРАМИТЕ) со притискање на копчето **P**.

Изберете ги саканите опции (видете ОПЦИИ И ФУНКЦИИ).

6. СТАРТ

Започнете го циклусот на перење со притискање на копчето **СТАРТ/Пауза**. Кога програмата ќе започне, слушате звучен сигнал.

7. КРАЈ НА ЦИКЛУСОТ НА ПЕРЕЊЕ

Крајот на циклусот на перење се означува со звучни сигнали и со трепкање на индикаторот за циклусот на перење на панелот. Исклучете го апаратот со притискање на копчето **ON/OFF** и отворете ја вратата.

Почekaјте неколку минути пред да ги извадите садовите - за да избегнете изгореници. Растоварете ги решетките, почнувајќи од долниот.

Машината автоматски ќе се исклучи за време на одредени подолги периоди на неактивност, со цел да се минимизира потрошувачката на електрична енергија. Ако садовите се малку извалкани или ако се исплакнат со вода пред да се стават во машина за миење садови, соодветно намалете ја количината на употребениот детергент

МОДИФИКУВАЊЕ НА ВКЛУЧЕНА ПРОГРАМА

Ако е избрана погрешна програма, можно е да се смени, под услов да само што започнала: притиснете и задржете го копчето **ON/OFF**, машината ќе се исклучи. Вклучете ја машината повторно користејќи го копчето **ON/OFF** и изберете го новиот циклус на перење и сите посакувани опции; започнете го циклусот со притискање на копчето **СТАРТ/Пауза**.

ДОДАВАЊЕ НА ДОПОЛНИТЕЛНИ САДОВИ

Без исклучување на машината, отворете ја вратата (**пазете се од ТОПЛА пара!**) и ставете ги садовите во машината за миење садови. Затворете ја вратата и притиснете го копчето **СТАРТ/Пауза** циклусот ќе започне од местото каде што бил прекинат.

СЛУЧАЈНИ ПРЕКИНИ

Ако вратата се отвори за време на циклусот на перење или ако дојде до прекин на струја, циклусот престанува. Откако ќе се затвори вратата или ќе се врати напојувањето со електрична енергија, за повторно да го започнете циклусот од местото каде што беше прекинат, притиснете го копчето **СТАРТ/Пауза**.

СОВЕТИ И ПРЕДЛОЗИ

СОВЕТИ

Пред да ги ставите корпите, отстранете ги сите остатоци од храна од садовите и испразнете ги чашите. Не треба претходно да се плакнете под млаз вода.

Наредете ги садовите така што да се држат цврсто и да не се превртуваат; и наредете ги контејнерите со отворите свртени надолу и конкавните/конвексните делови поставени косо, со што ќе дозволите водата да стигне до секоја површина и слободно да тече.

Предупредување: капациите, рачките, плеховите и тавите за перење не го спречуваат ротирањето на краците на распрскувачот. Ставете ги сите мали предмети во корпата за прибор за јадење.

Многу валкани садови и тави треба да се стават во долната корпа бидејќи во овој сектор прскањата со вода се посилни и овозможуваат повисоки перформанси на миење.

Откако ќе го наполните апаратот, проверете дали краците на распрскувачот можат слободно да се ротираат.

ОШТЕТУВАЊЕ НА ЧАШИТЕ И ПРИБОРОТ

- Користете само чаши и порцелан гарантирани од производителот како безбедни во машина за миење садови.
- Користете нежен детергент погоден за садови
- Соберете чаши и прибор за јадење од машината за миење садови штом ќе заврши циклусот на миење.

НЕСООДВЕТНИ САДОВИ

- Дрвени садови и прибор за јадење.
- Нежно украсени чаши, уметнички ракотворби и антички садови. Нивните украси не се отпорни.
- Делови од синтетички материјал кои не издржуваат високи температури.
- Бакарни и лимени садови.
- Садови извалкани со пепел, восок, маст за подмачкување или мастило.

Боите на стаклените украси и алуминиумските/сребрените парчиња може да се променат и избледат за време на процесот на перење. Некои видови стакло (на пр. кристални предмети) може да станат непроѕирни и по неколку циклуси на перење.

СОВЕТИ ЗА ШТЕДЕЊЕ НА ЕНЕРГИЈА

- Кога машината за миење садови за домаќинство се користи според упатствата на производителот, **миењето садови во машина за садови обично троши помалку енергија и вода отколку рачното миење садови.**
- Со цел да се зголеми ефикасноста на машината за миење садови, **се препорачува да се започне циклусот на миење откако машината за миење садови е целосно наполнета.** Полнењето на машината за миење садови за домаќинство до капацитетот назначен од производителот ќе придонесе за заштеда на енергија и вода. Информациите за правилното ставање на садовите за јадење може да се најдат во поглавјето **ПОПОЛНУВАЊЕ НА РЕШЕТКИТЕ**. Во случај на делумно полнење, се препорачува да се користат посебни опции за перење доколку се достапни (Половина Полнење, Zone Wash, Multizone), пополнувајќи ги само избраните лавици. Неправилното полнење или преоптоварување на машината за миење садови може да го зголеми искористувањето на ресурсите (како што се вода, енергија и време, како и да го зголеми нивото на бучава), намалувајќи ги перформансите на чистење и сушење.
- Рачното претходно плакнење на садовите за јадење доведува до зголемена потрошувачка на вода и енергија и не се препорачува. лажичка детергент и истурете ја без полнење за да го исчистите вашиот апарат.

ХИГИЕНА

За да избегнете мирис и талог што може да се акумулира во машината за миење садови, **користете програма за висока температура најмалку една месечно.** Користете една кафена лажичка детергент и истурете ја без полнење за да го исчистите вашиот апарат.

НЕГА И ОДРЖУВАЊЕ

ЧИСТЕЊЕ НА СКЛОПОТ НА ФИЛТЕРОТ

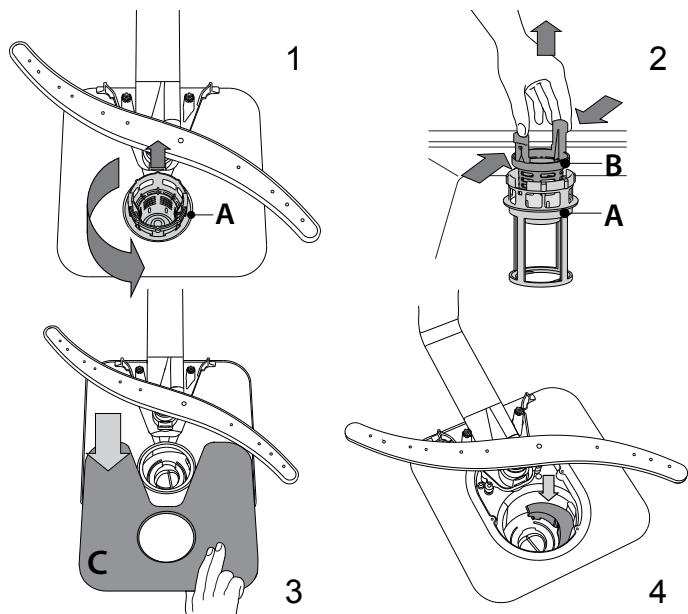
Редовно чистете го склопот на филтерот за да не се затнат филтрите и правилно да тече отпадната вода.

Користењето машина за миеење садови со затнати филтри или туѓи предмети во системот за филтрирање или прскалки може да предизвика дефект на единицата што резултира со губење на перформансите, бучна работа или поголема употреба на ресурси. Склопот на филтерот се состои од три филтри кои ги отстрануваат остатоците од храна од водата за перење и потоа ја рециркулираат водата.

Машината за миеење садови не смее да се користи без филтри или ако филтерот е лабав.

Најмалку еднаш месечно или по секои 30 циклуси, проверете го склопот на филтерот и доколку е потребно исчистете го темелно под проточна вода, користејќи неметална четка и следејќи ги упатствата подолу:

1. Свртете го цилиндричниот филтер **A** во насока спротивно од стрелките на часовникот и извлекете го (слика 1).
2. Отстранете го филтерот за чаши **B** со мал притисок врз страничните клапи (слика 2).
3. Извлекете го филтерот со плоча од не'рѓосувачки челик **C** (слика 3).
4. Во случај да најдете туѓи предмети (како скршено стакло, порцелан, коски, семки од овошје итн.) **Ве молиме внимателно отстранете ги.**
5. Проверете ја стапицата и отстранете ги сите остатоци од храна. **НИКОГАШ НЕ ОТСТРАНУВАЈТЕ** ја заштитата на пумпата за циклус на перење (црн детал) (слика 4).



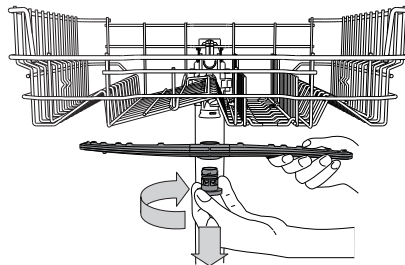
Откако ќе ги исчистите филтрите, повторно поставете го склопот на филтерот и правилно фиксирајте го во положбата; ова е од суштинско значење за одржување на ефикасната работа на машината за миеење садови.

ЧИСТЕЊЕ НА ЦРЕВОТО ЗА ВЛЕЗ НА ВОДА

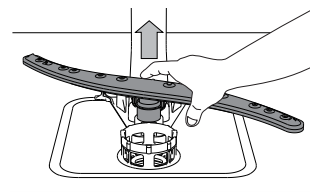
Ако цревата за вода се нови или не биле користени подолг временски период, оставете ја водата да тече за да бидете сигурни дека е чиста и без нечистотии пред да ги извршите потребните приклучоци. Ако не се преземе оваа мерка на претпазливост, доводот за вода може да се блокира и да ја оштети машината за миеење садови.

ЧИСТЕЊЕ НА ПРСКАЛКИТЕ

Во некои прилики, остатоците од храна може да се наталожат на прскалките и да ги блокираат дупките што се користат за прскање на водата. Затоа се препорачува одвреме-навреме да ги проверувате краците и да ги чистите со мала неметална четка.



За да ја извадите горната рачка за прскање, свртете го пластичниот прстен за заклучување во насока на стрелките на часовникот. Горната прскалка треба да се замени така што страната со поголем број отвори да биде свртена нагоре.



Долната рачка за прскање може да се отстрани со влечење нагоре.

СИСТЕМ ЗА ОМЕКНУВАЊЕ НА ВОДАТА

Омекнувачот на вода автоматски ја намалува тврдоста на водата, следствено, спречувајќи наталожување бигор на грејачот, придонесувајќи и за подобра ефикасност на чистењето.

Овој систем сам се регенерира со сол, затоа е потребно повторно да се наполни садот за сол кога е празен.

Фреквенцијата на регенерација зависи од поставувањето на нивото на тврдост на водата. Регенерацијата се одвива еднаш на секои 6 Еко циклуси со ниво на тврдост на водата поставено на 3.

Процесот на регенерација започнува во последното плакнење и завршува во фазата на сушење, пред да заврши циклусот.

- Единечната регенерација троши: ~3,5L вода;
- Потребни се до 5 дополнителни минути за циклусот;
- Троши под 0,005 kWh енергија.

РЕШАВАЊЕ НА ПРОБЛЕМИ

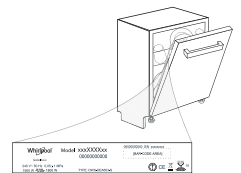
Во случај вашата машина за миене садови да не работи правилно, проверете дали проблемот може да се реши со одење низ следнава листа. За други грешки или проблеми, ве молиме контактирајте со овластен сервис за постпродажба, кој деталите за контакт може да ги најдете во гарантната книшка. Резервните делови ќе бидат достапни за период до 7 или до 10 години, во согласност со специфичните барања на регулативата.

ПРОБЛЕМИ	МОЖНИ ПРИЧИНИ	РЕШЕНИЈА
Индикаторот за сол свети.	Резервоарот за сол е празен. (По повторно полнење, индикаторот за сол може да остане запален неколку циклуси на перење).	Пополнете го резервоарот со сол (за повеќе информации - видете на страница 2). Прилагодете ја тврдоста на водата - видете ја табелата, страница 2.
Индикаторот за средство за плакнење свети.	Дозерот за средство за плакнење е празен. (По повторно полнење, индикаторот за средство за плакнење може да остане запален неколку циклуси на перење).	Наполнете го дозерот со средство за плакнење (за повеќе информации - видете на страница 2).
Машината за миене садови нема да се вклучи или не реагира на командите.	Апаратот не е приклучен правилно.	Вметнете го приклучокот во штекерот.
	Прекин на струја	Од безбедносни причини, машината за миене садови нема да се рестартира автоматски кога ќе се врати напојувањето. Притиснете го копчето СТАРТ/Пауза за да продолжите со циклусот.
	Вратата на машината за миене садови не е затворена.	Енергично туркајте ја вратата додека не слушнете „клик“.
	Циклусот е прекинат со отворање на вратата повеќе од 4 секунди.	Притиснете СТАРТ/Пауза и затворете ја вратата во рок од 4 секунди.
Машината за миене садови нема да исцеди.	Не реагира на команди.	Исклучете го апаратот со притискање на копчето за ON/OFF, вклучете го повторно по приближно една минута и рестартирајте ја програмата. Ако проблемот продолжи, исклучете го апаратот 1 минута, а потоа повторно вклучете го.
	Циклусот на перење сè уште не е завршен.	Почекајте додека не заврши циклусот на перење.
	Црево за одвод е свиткано.	Проверете дали одводното црево не е свиткано (видете УПАТСТВО ЗА ИНСТАЛАЦИЈА).
	Цевката за одвод на мијалникот е блокирана.	Исчистете ја одводната цевка на мијалникот.
Машината за миене садови прави прекумерна бучава.	Филтерот е затнат со остатоци од храна.	Исчистете го филтерот (видете ЧИСТЕЊЕ НА СКЛОПОТ НА ФИЛТЕР).
	Садовите се удаат едни со други.	Правилно поставете ги садовите (видете ПОПОЛНУВАЊЕ НА РЕШЕТКИТЕ).
Машината за миене садови прави прекумерна бучава.	Произведено е прекумерно количество пена.	Детергентот не е правилно измерен или не е погоден за употреба во машини за миене садови (видете ПОЛНЕЊЕ НА ДИСПЕНЗЕР ЗА ДЕТЕРГЕНТ). Рестартирајте ја машината за миене садови со притискање на копчето DRAIN (видете ОПЦИИ И ФУНКЦИИ) и активирајте нова програма без детергент.
	Садовите не се наредени како што треба.	Правилно наредете ги садовите (видете ПОПОЛНУВАЊЕ НА РЕШЕТКИТЕ).
	Прскалките не можат слободно да се ротираат, бидејќи садовите ги попречуваат.	Правилно наредете ги садовите (видете ПОПОЛНУВАЊЕ НА РЕШЕТКИТЕ).
	Циклусот на миене е премногу нежен.	Изберете соодветен циклус на перење (видете ТАБЕЛА НА ПРОГРАМИ).
	Произведено е прекумерно количество пена.	Детергентот не е правилно измерен или не е погоден за употреба во машини за миене садови (видете ПОЛНЕЊЕ НА ДИСПЕНЗЕР ЗА ДЕТЕРГЕНТ).
	Капачето на преградата за средство за плакнење не е правилно затворено.	Проверете дали капачето на дозерот за средство за плакнење е затворено.
	Филтерот е извалкан или затнат.	Исчистете го склопот на филтерот (видете ГРИЖА И ОДРЖУВАЊЕ).
Нема сол.	Наполнете го резервоарот за сол (видете ПОЛНЕЊЕ НА РЕЗЕРВОАРОТ ЗА СОЛ).	
Машината за миене садови не ја полни водата. Сите LED диоди брзо трепкаат	Нема вода во доводот за вода или славината е затворена.	Проверете дали има вода во доводот за вода или водоводната славина.
	Доводното црево е свиткано.	Проверете дали доводното црево не е свиткано (видете ИНСТАЛАЦИЈА) ре-програмирајте ја машината за миене садови и рестартирајте ја.
	Ситото во црево за довод на вода е затнато; потребно е да се исчисти	Откако ќе ја извршите проверката и чистењето, исклучете ја и вклучете ја машината за миене садови и рестартирајте нова програма.
Машината за миене садови предвреме го завршува циклусот.	Црево за одводнување е поставено премногу ниско или се влева во домашната канализација.	Проверете дали крајот на одводното црево е поставен на правилна висина (видете ИНСТАЛАЦИЈА).
	Воздух во снабдувањето со вода.	Проверете го доводот на вода за протекување или други проблеми што го пуштаат воздухот внатре.
Истекувањето на детергентот.	Зависи од течниот детергент што се користи и може да се нагласи во случај на активирање на опцијата за одложување.	Малите протекувања нема да предизвикаат дефект на машината и може да се спречат со промена на типот на течен детергент или со користење таблети.

Политики, стандардна документација, нарачка на резервни делови и дополнителни информации за производот може да се најдат со:

- Користење на QR-код
- Посетете ја нашата веб-страница docs.hotpoint.eu и parts-selfservice.europeanappliances.com
- Алтернативно, **контактирајте ја нашата служба за постпродажба** (види телефонски број во гарантната книшка). Кога ја контактирате нашата служба за постпродажба, ве молиме наведете ги шифрите дадени на идентификациската табличка на вашиот производ.

Информациите за моделот може да се вратат со користење на QR-кодот пријавен во енергетската етикета. Етикетата го вклучува и идентификаторот на моделот што може да се користи за да се консултира порталот на регистарот на <https://eprel.ec.europa.eu>.



GHID DE REFERINȚĂ PENTRU UTILIZARE ZILNICĂ



VĂ MULȚUMIM CĂ AȚI ACHIZIȚIONAT UN PRODUS HOTPOINT ARISTON. Pentru a beneficia de servicii complete de asistență, vă rugăm să vă înregistrați aparatul pe: www.hotpoint.eu/register

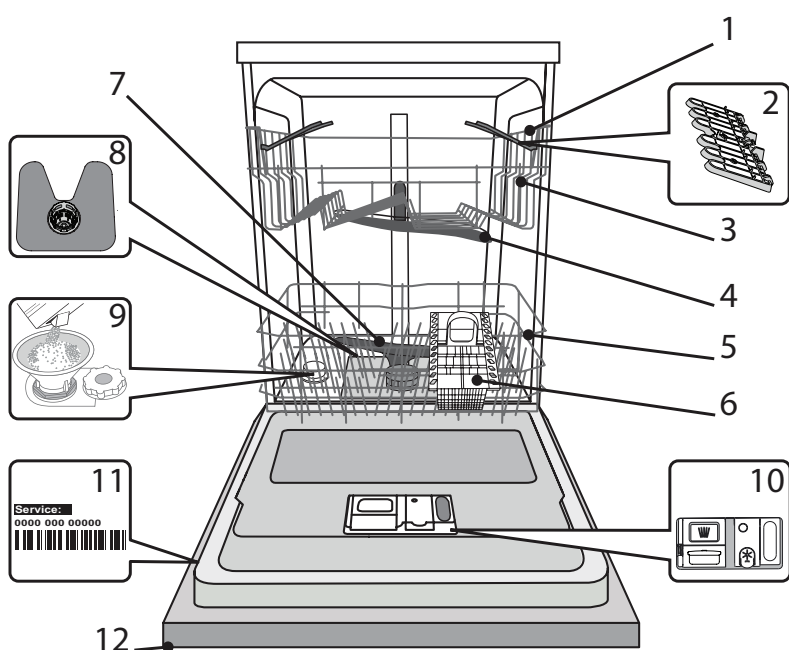
SCANAȚI CODUL QR DE PE APARATUL DUMNEAVOASTRĂ PENTRU A OBȚINE INFORMAȚII MAI DETALIATE



Înainte de a utiliza aparatul, citiți cu atenție Instrucțiunile de siguranță.

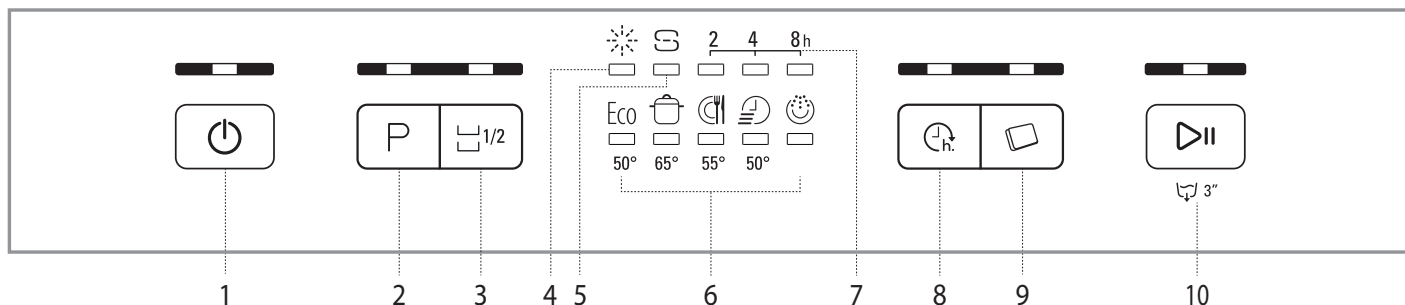
DESCRIEREA PRODUSULUI

APARATUL



1. Coșul superior
2. Clapete rabatabile
3. Mecanism de reglare a înălțimii raftului superior
4. Brațul de pulverizare superior
5. Coșul inferior
6. Coșul pentru tacâmuri
7. Brațul de pulverizare inferior
8. Ansamblu de filtre
9. Compartimentul pentru săruri
10. Dozatoare de detergent și agent de clătire
11. Plăcuța cu datele tehnice
12. Panoul de comandă

PANOUL DE COMANDĂ



1. Buton Pornire/Oprire/Resetare cu indicator luminos
2. Buton de selectare a programelor cu indicator luminos
3. Buton Încărcare la jumătate cu indicator luminos
4. Indicator luminos de nivel al sărurilor
5. Indicator luminos de nivel al agentului de clătire
6. Indicatori luminoși programe
7. Indicator luminos opțiune Întârziere
8. Buton Întârziere cu indicator luminos
9. Buton Tabletă cu indicator luminos
10. Buton Pornire/Pauză cu indicator luminos / Drenare

PRIMA UTILIZARE

ĂRURI, AGENT DE CLĂTIRE ȘI DETERGENT

RECOMANDĂRI PRIVIND PRIMA UTILIZARE

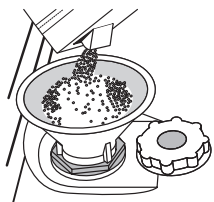
După instalare, demontați opritoarele rafturilor și elementele elastice de fixare a raftului superior.

UMPLEREA COMPARTIMENTULUI PENTRU SĂRURI

Utilizarea sărurilor previne formarea DEPUNERILOR DE CALCAR pe vase și pe componentele funcționale ale mașinii.

- Este obligatoriu ca **COMPARTIMENTUL PENTRU SĂRURI SĂ NU FIE NICIODATĂ GOL.**
- Este important să setați duritatea apei.

Compartimentul pentru săruri se află în partea inferioară a mașinii de spălat vase (*consultați DESCRIEREA PRODUSULUI*) și trebuie să fie umplut când **indicatorul luminos de NIVEL AL SĂRURILOR** de pe panoul de comandă este aprins.



1. Demontați raftul inferior și desfiletați capacul compartimentului (în sens antiorar).
2. **Numai la prima operațiune de acest fel: umpleți compartimentul pentru săruri cu apă.**
3. Poziționați pâlnia (consultați figura) și umpleți compartimentul pentru săruri până la margine (aproximativ 1 kg); este perfect normal să curgă puțină apă în afară.

4. Scoateți pâlnia și ștergeți resturile de săruri de pe deschidere.

Asigurați-vă că este înfiletat bine capacul, astfel încât să nu intre detergent în compartiment în timpul programului de spălare (acest lucru poate avaria iremediabil instalația de dedurizare a apei).

Oricând trebuie să adăugați săruri, este obligatoriu să finalizați procedura înainte de a începe ciclul de spălare pentru a evita coroziunea.

SETAREA DURITĂȚII APEI

Pentru a permite instalației de dedurizare a apei să funcționeze perfect, este esențial ca setarea durității apei să se bazeze pe nivelul de duritate a apei din locuința dumneavoastră. Aceste informații pot fi obținute de la furnizorul local de apă.

Fabricantul setează valoarea implicită pentru duritatea apei.

- Porniți aparatul apăsând pe butonul **PORNIRE/OPRIRE.**
- Opriți aparatul apăsând pe butonul **PORNIRE/OPRIRE.**
- Țineți apăsat butonul **PORNIRE/PAUZĂ** timp de 5 secunde, până când auziți un semnal sonor.
- Porniți aparatul apăsând pe butonul **PORNIRE/OPRIRE.**
- Indicatorul luminos al programului pentru nivelul setat în mod curent clipește.
- Apăsați butonul **P** pentru a selecta nivelul de duritate dorit (*consultați TABELUL DURITĂȚII APEI*).

Tabelul durității apei

Nivel		°dH Grade germane	°fH Grade franceze	°Clark Grade engleze
1	Moale	0 - 6	0 - 10	0 - 7
2	Medie	7 - 11	11 - 20	8 - 14
3	Normală	12 - 16	21 - 29	15 - 20
4	Dură	17 - 34	30 - 60	21 - 42
5	Foarte dură	35 - 50	61 - 90	43 - 62

- Opriți aparatul apăsând pe butonul **PORNIRE/OPRIRE.**

Setarea este finalizată!

După finalizarea acestei proceduri, rulați un program fără a încărca mașina.

Utilizați numai săruri concepute special pentru mașini de spălat vase.

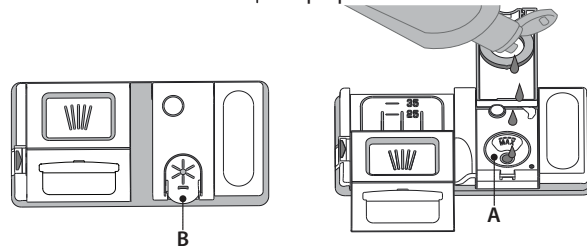
După ce ați introdus sărurile în mașină, indicatorul luminos de nivel al sărurilor se stinge.

Dacă compartimentul pentru săruri nu este umplut, este posibilă deteriorarea instalației de dedurizare a apei și a rezistenței din cauza acumulării depunerilor.

Se recomandă utilizarea sării indiferent de tipul de detergent pentru mașina de spălat vase.

UMPLEREA DOZATORULUI PENTRU AGENT DE CLĂTIRE

gentul de clătire facilitează uscarea vaselor. Dozatorul pentru agentul de clătire **A** trebuie umplut atunci când **indicatorul luminos de NIVEL AL AGENTULUI DE CLĂTIRE** de pe panoul de comandă este aprins.



1. Deschideți dozatorul **B** apăsând și trăgând în sus clapeta de pe capac.
2. Introduceți cu grijă agentul de clătire până la marcajul de referință maxim (110 ml) al spațiului de umplere - evitați scurgerile. În caz contrar, curățați imediat folosind o lavetă uscată.
3. Apăsați capacul în jos până când auziți un clic de închidere.

Nu turnați NICIODATĂ agentul de clătire direct în cuvă.

REGLAREA DOZEI DE AGENT DE CLĂTIRE

Dacă nu sunteți pe deplin mulțumit de rezultatele de uscare, puteți regla cantitatea de agent de clătire utilizat.

- Porniți mașina de spălat vase folosind butonul **PORNIRE/OPRIRE.**
- Opriți-o folosind butonul **PORNIRE/OPRIRE.**
- Apăsați pe butonul **PORNIRE/PAUZĂ** de trei ori - se va auzi un semnal sonor.
- Porniți mașina folosind butonul **PORNIRE/OPRIRE.**
- Indicatorul luminos al programului pentru nivelul setat în mod curent clipește.
- Apăsați pe butonul **P** pentru a selecta cantitatea de agent de clătire care trebuie alimentată.
- Opriți mașina folosind butonul **PORNIRE/OPRIRE**

Setarea este finalizată!

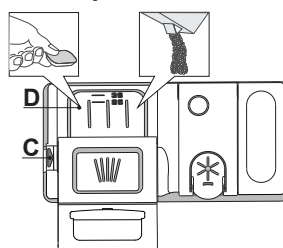
Dacă nivelul de agent de clătire este setat la 1 (ECO), nu se va alimenta cu agent de clătire. Indicatorul luminos pentru NIVEL SCĂZUT DE AGENT DE CLĂTIRE nu se va aprinde dacă agentul de clătire este consumat.

Pot fi setate maxim 5 niveluri în conformitate cu modelul de mașină de spălat vase. Setarea din fabrică este specifică modelului, vă rugăm să respectați instrucțiunile de mai sus pentru a verifica setarea adecvată pentru mașina dumneavoastră.

- Dacă observați urme albastre pe vase, setați un număr mic (2-3).
- Dacă există urme de apă sau depuneri de calcar pe vase, setați un număr mare (4-5).

UMPLEREA DOZATORULUI DE DETERGENT

Utilizați dispozitivul de deschidere C pentru a deschide dozatorul de detergent. Introduceți detergentul numai în dozatorul uscat D. Introduceți cantitatea de detergent pentru prespălare direct în cuvă.



1. Atunci când măsurați cantitatea de detergent, consultați informațiile menționate anterior pentru a adăuga cantitatea corespunzătoare. În interiorul dozatorului **D** există indicații care vă pot ajuta la dozarea detergentului.
2. Îndepărtați resturile de detergent de pe marginile dozatorului și închideți sonor capacul.
3. Închideți capacul dozatorului de detergent trăgând în sus până când dispozitivul de închidere este fixat în poziție.

Dozatorul de detergent se deschide automat la momentul potrivit, în conformitate cu programul.

Dacă se utilizează detergenți universali, vă recomandăm să folosiți butonul **TABLETĂ**, deoarece reglează programul pentru a se obține întotdeauna rezultate optime de spălare și uscare.

Utilizarea unui detergent care nu este conceput pentru mașinile de spălat vase poate provoca defecțiuni sau deteriorarea mașinii.

TABEL CU PROGRAME

Program	Faza de uscare	Opțiuni disponibile *)	Durata programului de spălare (h:min)**)	Consum de apă (litri/ciclu)	Consum de energie (kWh/ciclu)
1. Eco ECO 50°	✓		3:35	9,5	0,95
2. Intensiv 65°	✓		2:40	18,0	1,60
3. Amestecate 55°	✓		2:15	16,0	1,40
4. Rapidă 28' 50°	✗		0:28	9,0	0,50
5. Înmuiere -	✗		0:12	4,7	0,01

Datele programului ECO sunt stabilite în condiții de laborator, în conformitate cu standardul european EN 60436:2020.

Notă pentru laboratoarele de testări: pentru informații privind condițiile testului comparativ EN, trimiteți o solicitare la adresa: dw_test_support@europeanappliances.com

Nu este necesară tratarea în prealabil a vaselor înaintea oricăruia dintre aceste programe.

*) Nu toate opțiunile pot fi utilizate simultan.

**) Valorile date pentru alte programe diferite de programul Eco sunt doar orientative. Durata actuală poate varia în funcție de o multitudine de factori, cum ar fi temperatura și presiunea apei la intrare, temperatura încăperii, cantitatea de detergent, dimensiunea și tipul încărcăturii, distribuția încărcăturii, opțiunile suplimentare selectate și calibrarea senzorului. Calibrarea senzorului poate mări durata programului cu până la 20 min.

DESCRIEREA PROGRAMELOR

Instrucțiuni privind selectarea ciclului de spălare.

1 ECO

Programul Eco este potrivit pentru curățarea tacâmurilor cu un grad mediu de murdărie, fiind cel mai eficient program pentru această utilizare din punct de vedere al consumului combinat de energie și apă și este utilizat pentru a evalua respectarea legislației UE de proiectare ecologică.

2 INTENSIV

Program recomandat pentru vase foarte murdare, adecvat în special pentru tigăi și cratițe (a nu se utiliza în cazul articolelor delicate).

3 AMESTECATE

Grade de murdărie mixte. Program automat pentru vase și cratițe cu grad normal de murdărie.

4 RAPIDĂ 28'

Program utilizat pentru mașina încărcată pe jumătate cu vase cu grad redus de murdărie, fără resturi uscate de alimente. Nu are etapă de uscare.

5 ÎNMUIERE

Utilizat pentru a înmprospăta vasele care trebuie să fie spălate mai târziu. A nu se utiliza detergent cu acest program.

Note:

Vă rugăm să rețineți că ciclul Rapidă 28' este destinat vaselor cu un grad redus de murdărie.

OPȚIUNI ȘI FUNCȚII

OPȚIUNILE pot fi selectate direct prin apăsarea pe butonul corespunzător (*consultați PANOUL DE COMANDĂ*).

Dacă o opțiune nu este compatibilă cu programul selectat, consultați TABELUL CU PROGRAME, LED-ul aferent clipește rapid de 3 ori și sunt emise semnale sonore. Opțiunea nu va fi activată.

1/2 ÎNCĂRCAREA PE JUMĂTATE

Dacă nu aveți multe vase de spălat, puteți utiliza un ciclu pentru încărcare la jumătate pentru a economisi apă, energie electrică și detergent. Selectați programul și apăsați pe butonul ÎNCĂRCARE LA JUMĂTATE: indicatorul luminos se va aprinde. Apăsați pe butonul ÎNCĂRCARE LA JUMĂTATE pentru a deselecta această opțiune.

Nu uitați să înjumătățiți cantitatea de detergent.



TABLETĂ

Această setare vă permite să optimizați performanțele programului în funcție de tipul de detergent folosit.

Apăsați butonul TABLETĂ (indicatorul luminos se va aprinde) în cazul în care utilizați detergenți combinați sub formă de tabletă (agent de clătire, săruri și detergent într-o singură doză).

Dacă folosiți detergent pudră sau lichid, această opțiune trebuie să fie dezactivată.



ÎNTĂRZIERE

Puteți amâna ora de pornire a programului cu 2, 4 sau 8 ore:

1. După selectarea programului dorit și a celorlalte opțiuni, apăsați pe butonul ÎNTĂRZIERE. Indicatorul luminos se va aprinde.
2. Selectați durata de temporizare dorită apăsând pe butonul ÎNTĂRZIERE de mai multe ori. Indicatorii luminoși pentru 2 ore, 4 ore și 8 ore se vor aprinde succesiv. Dacă butonul ÎNTĂRZIERE este apăsat din nou, opțiunea este deselectată, iar indicatorul luminos se stinge.
3. După desfășurarea procesului de selectare, numărătoarea inversă va începe dacă este apăsat butonul PORNIRE/PAUZĂ. Indicatorul luminos al duratei de temporizare selectată este aprins, iar butonul Pornire/Pauză se aprinde (lumină fixă).
4. După finalizarea perioadei de timp setate, indicatorul luminos ÎNTĂRZIERE se stinge, iar programul pornește.

Funcția ÎNTĂRZIERE nu poate fi setată după pornirea programului.

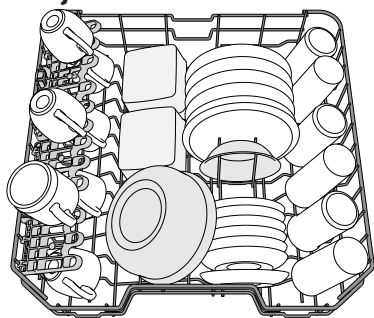


DRENARE

Pentru a opri și anula ciclul activ, puteți utiliza funcția Drenare. O apăsare lungă pe butonul PORNIRE/PAUZĂ va activa funcția DRENARE. Programul activ va fi oprit, iar apa din mașina de spălat vase va fi drenată.

ÎNCĂRCAREA RAFTURILOR

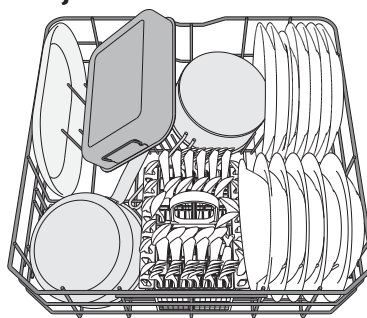
COȘUL SUPERIOR



(exemplu de încărcare pentru raftul superior)

Încărcați vasele delicate și ușoare: pahare, cești, farfurioare, boluri pentru salată puțin adânci.

COȘUL INFERIOR



(exemplu de încărcare pentru raftul inferior)

Pentru oale, capace, farfurii, boluri pentru salată, tacâmuri etc. În mod ideal, farfuriile și capacele mari trebuie amplasate în părțile laterale, pentru a se evita interferențele cu brațul de pulverizare.

REGLAREA ÎNĂLȚIMII RAFTULUI SUPERIOR

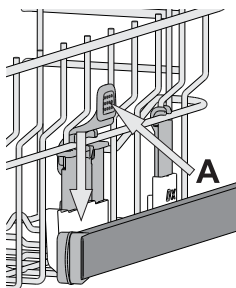
Înălțimea raftului superior poate fi reglată: în poziție înaltă pentru a introduce vesela voluminoasă pe raftul inferior și în poziție joasă pentru a profita din plin de suporturile rabatabile, creând mai mult spațiu în partea superioară și evitând ciocnirea cu articolele de pe raftul inferior.

Raftul superior este prevăzut cu un **mecanism de reglare a înălțimii raftului superior** (consultați figura); fără a apăsa pe manete, ridicați în sus ținând pur și simplu de părțile laterale ale raftului, și fixați imediat ce raftul este stabil în poziția de sus.

Pentru a reveni în poziția inferioară, apăsați pe manetele **A** din părțile laterale ale raftului și deplasați-l în jos.

Vă recomandăm cu insistență să nu reglați înălțimea raftului atunci când acesta este încărcat.

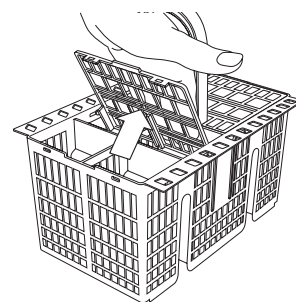
Nu ridicați și nu coborâți NICIODATĂ raftul numai pe o singură parte.



COȘUL PENTRU TACÂMURI

Este prevăzut cu grătare de înaltă calitate pentru dispunerea optimă a tacâmurilor. Acesta trebuie poziționat numai în partea din față a raftului inferior.

Cuțitele și alte ustensile cu margini ascuțite trebuie amplasate în coșul pentru tacâmuri cu vârfurile orientate în jos sau poziționate orizontal în compartimentele rabatabile ale raftului superior.



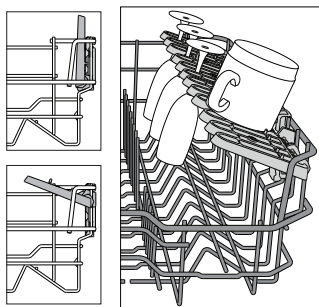
CLAPETE RABATABILE CU POZIȚIE REGLABILĂ

Clapetele rabatabile laterale pot fi pliate sau depliate pentru a optimiza aranjarea veselei pe raft.

Paharele pentru vin pot fi așezate în siguranță pe clapetele rabatabile, introducând picioarele acestora în fanțele corespunzătoare.

În funcție de model:

- pentru a deplia clapetele, este necesar să le glisați în sus și să le rotiți sau să le eliberați din clemele de fixare, trăgându-le în jos.
- pentru a plia clapetele, este necesar să le rotiți și să le glisați în jos sau să le trageți în sus și să le fixați pe poziție.



UTILIZAREA ZILNICĂ

- 1. VERIFICAREA RACORDĂRII LA REȚEAUA DE ALIMENTARE CU APĂ**
Verificați ca mașina de spălat vase să fie racordată la rețeaua de alimentare cu apă și ca robinetul să fie deschis.
- 2. PORNIREA MAȘINII DE SPĂLAT VASE**
Apăsăți butonul de **PORNIRE/OPRIRE**.
- 3. ÎNCĂRCAREA RAFTURILOR** (consultați **ÎNCĂRCAREA RAFTURILOR**).
- 4. UMPLEREA DOZATORULUI DE DETERGENT**
- 5. SELECTAREA PROGRAMULUI ȘI PERSONALIZAREA CICLULUI**
Selectați cel mai adecvat program în conformitate cu tipul de veselă și gradul de murdărie al acesteia (consultați **DESCRIEREA PROGRAMELOR**) apăsând pe butonul **P**.
Selectați opțiunile dorite (consultați **OPȚIUNI ȘI FUNCȚII**).
- 6. START**
Porniți ciclul de spălare apăsând pe butonul **PORNIRE/PAUZĂ** și. La pornirea programului veți auzi un semnal sonor.
- 7. TERMINAREA CICLULUI DE SPĂLARE**
Terminarea ciclului de spălare este indicată de semnalele sonore, și clipește indicatorul luminos al programului selectat. Deschideți ușa și opriți aparatul apăsând pe butonul **PORNIRE/PAUZĂ**.
Așteptați câteva minute înainte de a scoate vesela pentru a evita producerea arsurilor.
Descărcați rafturile, începând cu cel inferior.

Mașina se va opri automat în timpul anumitor perioade prelungite de inactivitate, pentru a reduce consumul de electricitate.

Dacă vasele prezintă un grad redus de murdărie sau dacă au fost clătite cu apă înainte de a le introduce în mașina de spălat vase, reduceți în mod corespunzător cantitatea de detergent utilizat.

MODIFICAREA UNUI PROGRAM CARE RULEAZĂ

Dacă a fost selectat un program greșit, îl puteți schimba, cu condiția ca acesta abia să fi început: apăsați și mențineți apăsat butonul **PORNIRE/OPRIRE**, iar mașina se va opri.

Reporniți mașina folosind butonul **PORNIRE/OPRIRE** și selectați noul ciclu de spălare, precum și opțiunile dorite; porniți ciclul apăsând pe butonul **PORNIRE/PAUZĂ**.

ADĂUGAREA DE VASE SUPLIMENTARE

Fără a opri mașina, deschideți ușa (**atenție la aburii FIERBINȚII!**) și introduceți vesela în interiorul mașinii de spălat vase. Închideți ușa și apăsați pe butonul **PORNIRE/PAUZĂ**. Ciclul va fi reluat din punctul în care a fost întrerupt.

ÎNTRERUPERI ACCIDENTALE

Dacă ușa este deschisă în timpul ciclului de spălare sau dacă s-a produs o pană de curent, ciclul se oprește. Odată ce ușa este închisă sau dacă alimentarea cu energie electrică este restabilită, pentru a relua ciclul din punctul în care a fost întrerupt, apăsați pe butonul **PORNIRE/PAUZĂ**.

SFATURI ȘI RECOMANDĂRI

RECOMANDĂRI

Înainte de a încărca rafturile, eliminați toate resturile de alimente de pe vase și goliți paharele. **Nu este necesar să le clătiți în prealabil sub jet de apă curentă.**

Aranjați vesela astfel încât să fie bine poziționată și să nu se răstoarne; de asemenea, aranjați recipientele cu deschiderile în jos și așezați înclinat articolele concave/convexe, pentru a permite apei să ajungă pe orice suprafață și să curgă liber.

Avertisment: capacele, mânerurile, tăvile și tigăile nu trebuie să împiedice rotirea brațelor de pulverizare.

Amplasați articolele mici în coșul pentru tacâmuri. Vasele și cratițele foarte murdare trebuie așezate pe raftul inferior deoarece în această zonă jeturile de apă sunt mai puternice și se înregistrează performanțe mai mari de spălare. După încărcarea aparatului, asigurați-vă că brațele de pulverizare se pot roti liber.

VESELĂ NECORESPUNZĂTOARE PENTRU SPĂLAREA ÎN MAȘINĂ

- Veselă și tacâmuri din lemn.
- Pahare cu decorațiuni delicate, veselă artizanală și veselă antică. Aceste decorațiuni nu sunt rezistente la spălarea în mașina de spălat vase.
- Articole din material sintetic care nu sunt rezistente la temperaturi ridicate.
- Veselă din cupru și cositor.
- Veselă murdară de cenușă, ceară, unsoare sau cerneală.

Culorile decorațiilor din pe articolele din sticlă și ale articolelor din aluminiu/argint se pot modifica și pot albi în timpul procesului de spălare. Unele tipuri de articole din sticlă (de exemplu, obiecte de cristal) pot deveni opace după câteva cicluri de spălare.

DETERIORAREA PAHARELOR ȘI A VESELEI

- Utilizați numai pahare și veselă din porțelan marcate de către producător ca fiind rezistente la spălarea în mașină.
- Utilizați un detergent delicat pentru veselă
- Scoateți paharele și vesela din mașina de spălat vase imediat ce ciclul de spălare este finalizat.

RECOMANDĂRI PRIVIND ECONOMISIREA DE ENERGIE

- Atunci când mașina de spălat vase este folosită conform instrucțiunilor producătorului, **spălarea tacâmurilor într-o mașină de spălat vase consumă de obicei MAI PUȚINĂ ENERGIE și apă decât spălarea manuală.**
- Pentru a crește la maximum eficiența mașinii de spălat vase, se recomandă **inițierea ciclului de spălare după ce mașina este încărcată complet.** Încărcarea mașinii de spălat vase de uz domestic până la capacitatea indicată de producător va contribui la economii de energie și apă. Informații despre încărcarea corectă a vaselor pot fi găsite în capitolul **ÎNCĂRCAREA RAFTURILOR**. În cazul încărcării parțiale, se recomandă utilizarea opțiunilor de spălare dedicate, dacă sunt disponibile (Half load/ Zone Wash/ Multizone), adăugând vase doar pe rafturile selectate. Încărcarea incorectă sau supraîncărcarea mașinii de spălat vase poate crește utilizarea resurselor (cum ar fi apa, energia și timpul, precum și nivelul de zgomot), reducând performanțele de curățare și uscare.
- Pre-clătirea manuală a vaselor duce la creșterea consumului de apă și energie și nu este recomandată.

IGIENĂ

Pentru a evita acumularea mirosurilor neplăcute și a sedimentelor în mașina de spălat vase, vă rugăm să rulați un program de temperatură ridicată cel puțin o dată pe lună. Folosiți o măsură de detergent și rulați un program fără a încărca vase pentru a curăța aparatul.

CURĂȚAREA ȘI ÎNTREȚINEREA

CURĂȚAREA ANSAMBLULUI DE FILTRE

Curățați în mod regulat ansamblul de filtre astfel încât filtrele să nu se înfunde și apa reziduală să fie evacuată în mod corespunzător.

Utilizarea mașinii de spălat vase cu filtre înfundate sau obiecte străine în interiorul sistemului de filtrare sau al brațelor de pulverizare poate provoca defecțiuni ale unității, conducând la scăderea performanței, creșterea nivelului de zgomot sau utilizarea mai multor resurse.

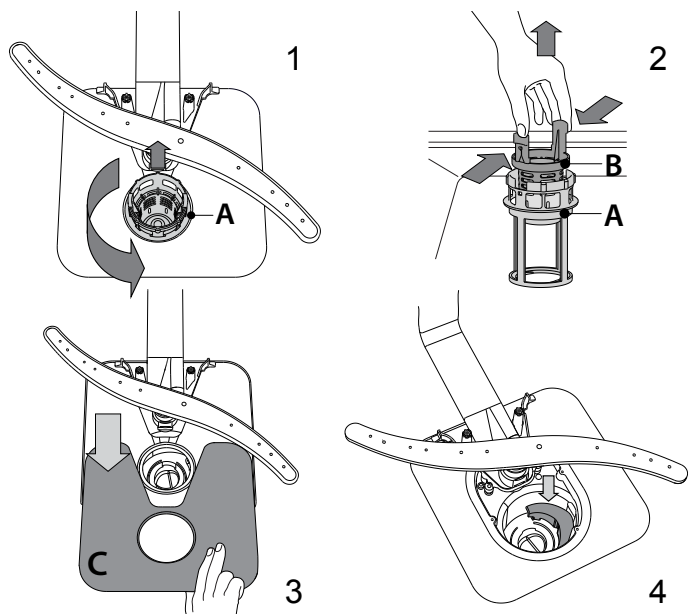
Ansamblul de filtre este alcătuit din trei filtre care îndepărtează resturile de alimente din apa de spălare, permițând apoi recircularea acesteia.

Mașina de spălat vase nu trebuie utilizată fără filtre sau dacă un filtru este desprins.

Cel puțin o dată pe lună sau după fiecare 30 de cicluri, verificați ansamblul de filtre și, dacă este necesar, curățați-l temeinic sub jet de apă curentă, folosind o perie nemetalică și respectând instrucțiunile de mai jos:

1. Rotiți filtrul cilindric **A** în sens antiorar și scoateți-l afară (Fig 1).
2. Demontați filtrul în formă de ceașcă **B** apăsând ușor pe clapetele laterale (Fig 2).
3. Culisați în afară placa din oțel inoxidabil a filtrului **C** (Fig 3).
4. În cazul în care găsiți obiecte străine (cum ar fi sticlă spartă, porțelan, oase, semințe de fructe etc.), vă rugăm să le îndepărtați cu atenție.
5. Examinați obturațiile și îndepărtați resturile de alimente.

NU DEMONTAȚI NICIODATĂ protecția pompei acționate în timpul ciclului de spălare (componentă neagră) (Fig 4).



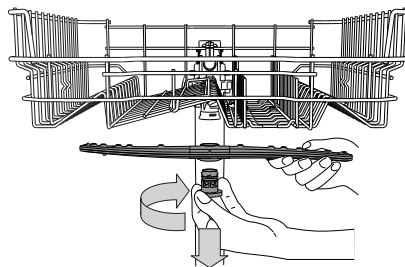
După curățarea filtrelor, montați la loc ansamblul de filtre și fixați-l în poziția corectă; acest lucru este esențial pentru menținerea funcționării eficiente a mașinii de spălat vase.

CURĂȚAREA FURTUNULUI DE ALIMENTARE CU APĂ

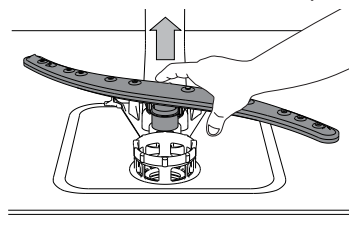
Dacă furtunurile pentru apă sunt noi sau dacă nu au fost utilizate o perioadă lungă de timp, lăsați apa să curgă pentru a vă asigura că acestea sunt curate și că nu prezintă impurități înainte de a efectua conexiunile necesare. Dacă nu luați măsurile de precauție necesare, furtunul de alimentare cu apă se poate bloca și poate deteriora mașina de spălat vase.

CURĂȚAREA BRAȚELOR DE PULVERIZARE

Ocazional, resturile de alimente se pot usca pe brațele de pulverizare și pot bloca orificiile de pulverizare a apei. Prin urmare, se recomandă să verificați brațele din când în când și să le curățați folosind o perie nemetalică mică.



Pentru a demonta brațul de pulverizare superior, rotiți inelul de fixare din plastic în sens orar. Brațul de pulverizare superior trebuie introdus astfel încât partea cu cele mai multe orificii să fie îndreptată în sus.



Brațul de pulverizare inferior poate fi demontat prin tragerea în sus.

SISTEMUL DE DEDURIZARE A APEI

Sistemul de dedurizare a apei reduce automat durezza apei, împiedicând astfel acumularea de depuneri pe încălzitor și contribuind, de asemenea, la creșterea eficienței de curățare.

Acest sistem se regenerează singur cu sare, de aceea este necesar să reumpleți recipientul pentru sare când este gol.

Frecvența regenerării depinde de setarea nivelului durezza apei - regenerarea are loc odată la **6** cicluri Eco cu nivelul durezza apei setat la **3**. Procesul de regenerare începe la clătirea finală și se termină în faza de uscare, înainte de terminarea ciclului.

- Procesul de regenerare implică următorul consum: ~3.5 L de apă;
- Adaugă până la 5 minute suplimentare pe ciclu;
- Consumul de energie este sub 0,005 kWh.

REMEDIEREA PROBLEMELOR

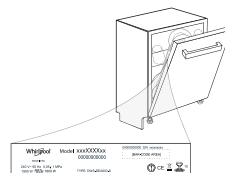
În cazul în care mașina de spălat vase nu funcționează corect, verificați dacă problema poate fi remediată parcurgând lista de mai jos. Pentru alte erori sau probleme, vă rugăm să contactați serviciul de asistență tehnică post-vânzare autorizat, ale cărui date de contact pot fi găsite în certificatul de garanție. Piesele de schimb vor fi disponibile pentru o perioadă de până la 7 sau până la 10 ani, în conformitate cu cerințele normelor specifice.

PROBLEME	CAUZE POSIBILE	SOLUȚII
Indicatorul de sare este aprins	Rezervorul de sare este gol. (După reumplere, indicatorul pentru sare poate rămâne aprins pe durata mai multor cicluri de spălare).	Reumpleți rezervorul cu sare (pentru mai multe informații - vezi pagina 2). Corecți nivelul de duritate a apei - vezi tabelul de la pagina 2.
Indicatorul agentului de clătire este aprins	Dozatorul pentru agentul de clătire este gol. (După reumplere, indicatorul agentului de clătire poate rămâne aprins pe durata mai multor cicluri de spălare).	Reumpleți dozatorul cu agent de clătire (pentru mai multe informații - vezi pagina 2).
Mașina de spălat vase nu pornește sau nu răspunde la comenzi.	Aparatul nu a fost conectat la priză în mod corespunzător.	Introduceți ștecherul în priză.
	Pană de curent.	Din motive de siguranță, mașina de spălat vase nu va reporni automat la restabilirea alimentării cu energie. Apăsăți pe butonul PORNIRE/Pauză pentru a relua ciclul.
	Ușa mașinii de spălat vase nu este închisă.	Împingeți ferm ușa până când auziți un „clic”.
	Ciclul este întrerupt prin deschiderea ușii timp de > 4 secunde.	Închideți ușa și apăsați pe butonul PORNIRE/Pauză.
Mașina de spălat vase nu răspunde la comenzi.	Aparatul nu răspunde la comenzi.	Opriți aparatul apăsând pe butonul PORNIRE/OPRIRE , reporniți-l după aproximativ un minut și reporniți programul. Dacă problema persistă, deconectați aparatul timp de 1 minut, apoi conectați-l din nou.
	Încă nu s-a terminat ciclul de spălare.	Așteptați finalizarea ciclului de spălare.
Mașina de spălat vase nu evacuează apa.	Furtunul de evacuare este îndoit.	Asigurați-vă că furtunul de evacuare nu este îndoit (<i>consultați INSTRUCȚIUNILE DE INSTALARE</i>).
	Conducta de evacuare a chiuvetei este blocată.	Curățați conducta de evacuare a chiuvetei.
	Filtrul este înfundat cu resturi de alimente	Curățați filtrul (<i>consultați CURĂȚAREA ANSAMBLULUI DE FILTRE</i>).
Mașina de spălat vase produce zgomot excesiv.	Vasele se lovesc unele de celelalte.	Aranjați corect vesela (<i>consultați ÎNCĂRCAREA RAFTURILOR</i>).
	S-a produs o cantitate excesivă de spumă.	Detergentul nu a fost măsurat corect sau nu este adecvat pentru utilizare în mașini de spălat vase (<i>consultați UMPLEAREA DOZATORULUI DE DETERGENT</i>). Reporniți mașina de spălat vase apăsând pe butonul DRENARE (<i>consultați OPȚIUNI ȘI FUNCȚII</i>) și rulați noul program, fără detergent.
Vasele nu sunt curate.	Vesela nu a fost aranjată corespunzător.	Aranjați corect vesela (<i>consultați ÎNCĂRCAREA RAFTURILOR</i>).
	Brațele de pulverizare nu se pot roti liber, acestea fiind împiedicate de vase.	Aranjați corect vesela (<i>consultați ÎNCĂRCAREA RAFTURILOR</i>).
	Ciclul de spălare este prea lejer.	Selecți un ciclu de spălare corespunzător (<i>consultați TABELUL CU PROGRAME</i>).
	S-a produs o cantitate excesivă de spumă.	Detergentul nu a fost măsurat corect sau nu este adecvat pentru utilizare în mașini de spălat vase (<i>consultați UMPLEAREA DOZATORULUI DE DETERGENT</i>).
	Capacul compartimentului pentru agent de clătire nu a fost închis corect.	Asigurați-vă că este închis capacul dozatorului pentru agent de clătire.
	Filtrul este murdar sau înfundat.	Curățați ansamblul de filtre (<i>consultați secțiunea ÎNGRIJIRE ȘI ÎNTREȚINERE</i>).
Mașina de spălat vase termină ciclul prematur.	Lipsesc sărurile.	Umpleți compartimentul pentru săruri (<i>consultați UMPLEAREA COMPARTIMENTULUI PENTRU SĂRURI</i>).
	Nu există apă în rețeaua de alimentare sau robinetul este închis.	Asigurați-vă că există apă în rețeaua de alimentare sau că robinetul este deschis.
	Furtunul de alimentare este îndoit.	Asigurați-vă că furtunul de alimentare nu este îndoit (<i>consultați INSTALARE</i>), reprogramați mașina de spălat vase și reporniți-o.
	Sita furtunului de alimentare cu apă este înfundată; aceasta necesită curățare.	După efectuarea controalelor și a curățării, opriți și porniți mașina de spălat vase, iar apoi rulați un program nou.
Mașina de spălat vase termină ciclul prematur.	Furtunul de evacuare este poziționat prea jos sau evacuează în sistemul de canalizare local.	Verificați dacă furtunul de evacuare este așezat la înălțimea corectă (<i>consultați secțiunea INSTALARE</i>). Verificați dacă evacuarea are loc în sistemul de canalizare local, instalați supapa de admisie a aerului, dacă este necesar.
	Aer în rețeaua de alimentare cu apă.	Verificați alimentarea cu apă pentru a vă asigura că nu există scurgeri sau alte probleme care lasă aerul să pătrundă în interior.
Scurgerea de detergent.	Depinde de detergentul lichid utilizat și poate fi accentuată în cazul opțiunii de întârziere activate.	Scurgerile mici nu vor cauza defectarea mașinii și pot fi evitate schimbând tipul de detergent lichid sau folosind tablete.

Puteți găsi politicile, documentația standard, informațiile despre comandarea pieselor de schimb și informațiile suplimentare despre produs:

- Utilizarea codului QR de pe produsul dumneavoastră.
- Vizitând site-urile noastre web docs.hotpoint.eu și parts-selfservice.europeanappliances.com
- Ca alternativă, **contactați serviciul nostru de asistență tehnică post-vânzare** (consultați numărul de telefon din certificatul de garanție). Când contactați serviciul nostru de asistență tehnică post-vânzare, vă rugăm să precizați codurile specificate pe plăcuța cu date de identificare a produsului dumneavoastră.

Informațiile modelului pot fi accesate folosind codul QR indicat pe eticheta energetică. Eticheta include, de asemenea, identificatorul de model care poate fi utilizat pentru a consulta portalul de înregistrare la <https://eprel.ec.europa.eu>.



UDHËZUESI PËR PËRDORIMIN E PËRDITSHËM



**FALEMINDERIT QË KENI BLERË PRODUKTIN
HOTPOINT ARISTON.**

Për të marrë mbështetjen më të plotë, ju lutemi të regjistrohemi në: www.hotpoint.eu/register

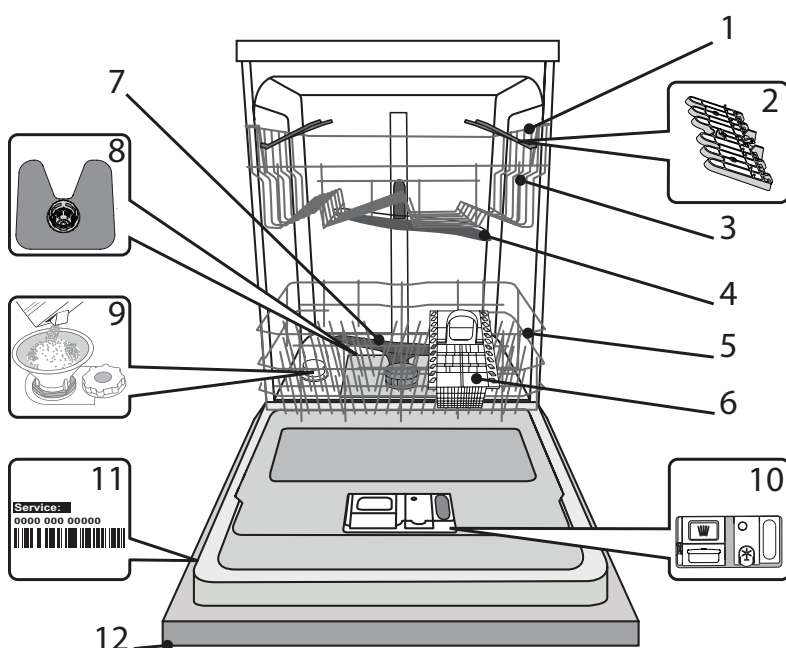
**JU LUTEMI TË SKANONI KODIN QR
NË PRODUKTIN TUAJ PËR TË MARRË
INFORMACIONET MË TË DETAJUARA**



Para se të përdorni këtë pajisje lexoni Udhëzimin për shëndetin dhe sigurinë.

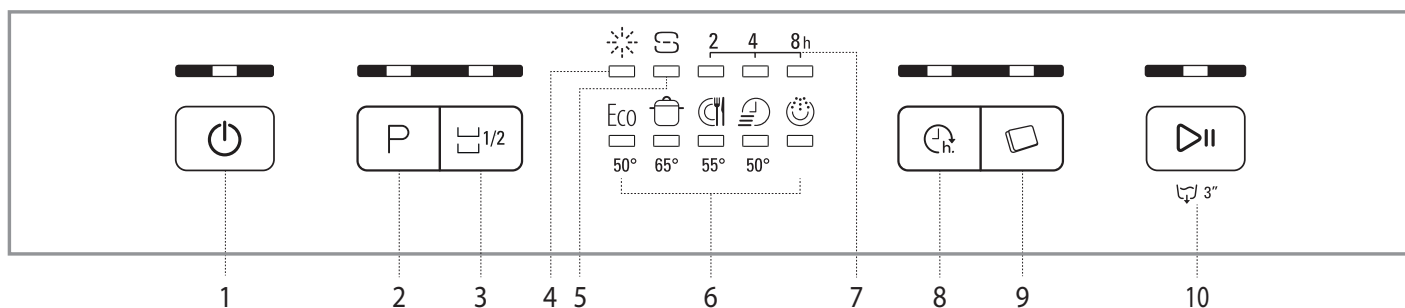
PËRSHKRIMI I PRODUKTIT

PAJISJA



1. Rafti i sipërm
2. Krahët e palosshëm
3. Rregullimi i lartësisë së raftit të sipërm
4. Spërkatësja e sipërme
5. Rafti i poshtëm
6. Shporta për takëm për ngrënie
7. Spërkatësja e poshtme
8. Sistemi i filtrave
9. Kutia e kripës
10. Detergjenti dhe kutia e mjetit për shpëlarje
11. Pllakëza identifikuese
12. Paneli i kontrollit

PANELI I KONTROLLIT



1. ON-OFF / Butoni i rivendosjes me dritën treguese
2. Butoni për zgjedhjen e programit me dritën treguese
3. Butoni për Gjysmën e ngarkesës me dritën treguese
4. Llambushka treguese e rezervuarit të Shpëlarësit të boshatisur
5. Llambushka treguese e rezervuarit të Kripës të boshatisur
6. Dritat treguese të programit
7. Drita treguese e Ndezjes me vonësë
8. Butoni i Ndezjes me vonësë me dritën treguese
9. Butoni Tableta (Tab) me dritën treguese
10. Butoni Fillim/Pushim me dritën treguese / Kullim

PËRDORIMI I PARË I PAJISJES KRIPË, MJET PËR SHPËLARJE DHE DETERGJENT

REKOMANDIMET NË LIDHJE ME PËRDORIMIN E PARË

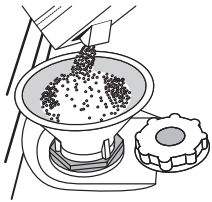
Pas instalimit, hiqni kapakët nga raftet dhe elementet shtrënguese elastike nga rafti i sipërm.

MBUSHJA E KUTISË SË KRIPËS

Përdorimi i kripës parandalon formimin e GËLQERES në enët dhe komponentët funksionalë të makinës.

- **KUTIA E KRIPËS NUK DUHET** të jetë **I ZBRAZËT KURRË.**
- Është e rëndësishme të rregulloni fortësinë e ujit.

Kutia e kripës gjendet në pjesën e poshtme të enëlarësës (*shihni PËR-SHKRIMIN E PRODUKTIT*) dhe duhet të mbushet kur ndriçon në panelin e kontrollit drita treguese **RIMBUSHJA E KRIPËS**.



1. Hiqni raftin e poshtëm dhe zhvendosni kapakun e kutisë (në drejtim të kundërt të akrepave të sahatit).
2. Kur e bëni këtë vetëm për herë të parë mbushni me ujë kutinë e kripës.
3. Vendosni hinkën (*shihni imazhin*) dhe mbushni kutinë e kripës deri në buzën e tij (përafërsisht 1 kg); nuk është e pazakonshme nëse rrjedh pak ujë.

4. Hiqni hinkën dhe fshini të gjitha pjesët e mbetura të kripës. Sigurohuni se është vidhosur fort kapaku në mënyrë që detergjenti të mos hyjë brenda gjatë programit të larjes (kjo mund të dëmtojë për herë zbutësin e ujit).

Sa herë që duhet të shtoni kripën, procedura duhet të mbarohet detyrimisht para fillimit të ciklit të larjes me qëllim që të shmangët gërryerja.

KONFIGURIMI I FORTËSISË SË UJIT

Në mënyrë që zbutësi i ujit të punojë pa gabim, është e domosdoshme që konfigurimi i fortësisë së ujit të bazohet mbi fortësinë reale të ujit në shtëpinë tuaj. Këto informacione mund t'i merrni nga furnizuesi juaj lokal i ujit.

Fabrika vendos vlerën fillestare të fortësisë së ujit.

- Ndizni pajisjen duke shtypur butonin **ON/OFF**.
- Fikni pajisjen duke shtypur butonin **ON/OFF**.
- Mbani të shtypur për 5 sekonda butonin **FILLIM/PUSHIM**, derisa të dëgjoni një sinjal zanor.
- Ndizni pajisjen duke shtypur butonin **ON/OFF**.
- Pulson drita treguese e programit të nivelit aktual të konfiguruar.
- Shtypni butonin **P** për të zgjedhur nivelin e dëshiruar të fortësisë (*shihni TABELËN E FORTËSISË SË UJIT*).

Tabela e fortësisë së ujit					
Niveli			°dH Shkalla gjermane	°fH Shkalla franceze	°Clark Shkalla angleze
1	E butë	ECO	0 - 6	0 - 10	0 - 7
2	E mesme		7 - 11	11 - 20	8 - 14
3	Mesatare		12 - 16	21 - 29	15 - 20
4	E fortë		17 - 34	30 - 60	21 - 42
5	Shumë e fortë		35 - 50	61 - 90	43 - 62

- Fikni pajisjen duke shtypur butonin **ON/OFF**.
Konfigurimi ka përfunduar!

Kur të përfundojë kjo procedurë, nisni menjëherë programin.

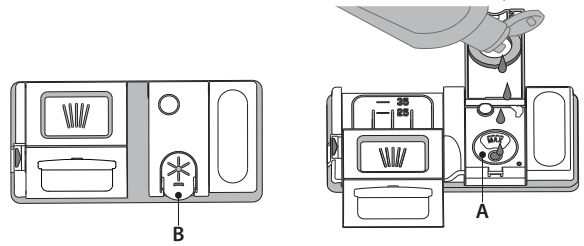
Përdorni vetëm kripën që është krijuar veçanërisht për enëlarëset. Pasi është vendosur kripa në enëlarësen, do të fiket drita treguese e RIMBUSHJES SË KRIPËS.

Nëse nuk është mbushur kutia e kripës, zbutësi i ujit dhe elementi ngrohës mund të dëmtohen si pasojë e grumbullimit të gëlqeres.

Përdorimi i kripës rekomandohet me cilindo lloj të detergjentit për enëlarëset.

MBUSHJA E KUTISË SË MJETIT PËR SHPËLARJE

Mjeti për shpëlarje lehtëson THARJEN e enëve. Kutia e mjetit për shpëlarje **A** duhet të mbushet kur të ndriçojë në panelin e kontrollit drita treguese **RIMBUSHJA E MJETIT PËR SHPËLARJE**.



1. Hapni kutinë **B** duke shtypur dhe tërhequr lart skedën në kapak.
 2. Dërdhni mjetin për shpëlarje (maks. 110 ml), duke kujdesur që të mos dalë jashtë shtratit të kutisë. Nëse ndodh kjo, fshini menjëherë këtë me një leckë të thatë.
 3. Për të mbyllur kapakun, shtypni atë poshtë derisa të dëgjoni një klik.
- Mos vendosni KURRË mjetin për shpëlarje drejtpërdrejt në pajisjen.**

KONFIGURIMI I DOZËS SË MJETIT PËR SHPËLARJE

Nëse nuk jeni plotësisht të kënaqur me rezultatet e tharjes, mund të konfiguroni sasinë e mjetit për shpëlarje.

- Ndizni enëlarësen duke shtypur butonin **ON/OFF**.
- Fikni enëlarësen duke shtypur butonin **ON/OFF**.
- Shtypni tri herë butonin **FILLIM/PUSHIM** - do të dëgjohet një sinjal zanor.
- Fikeni atë duke shtypur butonin **ON/OFF**.
- Pulson drita treguese e programit të nivelit aktual të konfiguruar.
- Shtypni butonin **P** për të zgjedhur nivelin e sasisë së mjetit për shpëlarje.
- Fikeni atë duke shtypur butonin **ON/OFF**.

Konfigurimi ka përfunduar!

Nëse është konfiguruar në 1 nivelin e mjetit për shpëlarje, nuk do të përdoret asnjë mjet për shpëlarje.

Drita treguese ezervuarit të SHPËLARËSIT TË BOSHTATISUR nuk do të ndriçojë nëse ju mungon mjeti për shpëlarje.

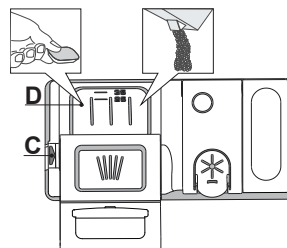
Varësisht nga modeli i enëlarësës mund të konfigurohen jo më shumë se 5 nivele. Konfigurimi fillestar është specifik për modelin, ju lutemi që të ndiqni udhëzimet e sipërme për ta kontrolluar këtë lidhur me enëlarësen tuaj.

- Nëse shihni vija blu në enët, konfiguroni numrin më të ulët (2-3).
- Nëse ka pika uji ose shenja gëlqereje në enët, konfiguroni numrin e mesëm (4-5).

MBUSHJA E KUTISË SË DETERGJENTIT

Për të hapur kutinë e detergjentit përdorni hapësen C.

Vendosni detergjentin vetëm në kutinë D. Vendosni sasinë e detergjentit për paralarje drejtpërdrejt në pajisjen.



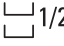



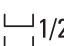



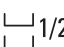






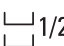

1. Kur matni sasinë e detergjentit merrni parasysh informacionet e përmendura më herët për të shtuar sasinë e përshtatshme. Brenda kutisë **D** gjenden informacionet që ndihmojnë në dozimin e detergjentit.
2. Hiqni pjesët e mbetura të detergjentit nga buzët e kutisë dhe mbyllni kapakun derisa të dëgjohet një klik.
3. Mbyllni kapakun e kutisë së detergjentit duke e tërhequr lart derisa të fiksohet mirë mbyllësja.

Kutia e detergjentit hapet automatikisht në kohën e duhur në përputhje me programin.

Nëse përdorni detergjentët all-in-one (gjithçka në një), ju rekomandojmë që të përdorni butonin **TABLETA**, sepse ai adapton programin në mënyrë që të arrijë gjithmonë rezultatet më të mira.

Përdorimi i detergjentit i cili nuk është i destinuar për përdorim në enëlarëset mund të shkaktojë ose të dëmtojë pajisjen.

TABELA E PROGRAMEVE

Programi	Faza e tharjes	Opsionet e disponueshme *)	Kohëzgjatja e programit të larjes (o:min)**)	Konsumi i ujit (litra/cikël)	Konsumi i energjisë (kWh/cikël)
1. Eco	Eco 50°	✓   	3:35	9,5	0,95
2. Intensive	 65°	✓   	2:40	18,0	1,60
3. Të përziera	 55°	✓   	2:15	16,0	1,40
4. Kreshmë 28'	 50°	✗  	0:28	9,0	0,50
5. Regjje	 -	✗  	0:12	4,7	0,01

Të dhënat e programit EKO maten nën kushte laboratorike në përputhje me Standardin Evropian EN 60436:2020.

Shënimi për laboratorët e testimit: Për informacionet rreth kushteve të testimit krahasues EN, ju lutemi të dërgoni një e-mail në adresën e mëposhtme: dw_test_support@europeanappliances.com

Para përdorimit të një programi nuk është i nevojshëm trajtimi paraprak i enëve.

*) Jo të gjitha opsionet mund të përdoren njëkohësisht.

**) Vlerat e dhëna për programet përveç programit EKO janë vetëm me karakter tregues. Koha reale mund të variojë nga shumë faktorë siç janë temperatura dhe presioni i ujit, temperatura e dhomës, sasia e detergjentit, sasia dhe lloji i enëve, balancimi i ngarkesës, opsionet shtesë dhe kalibrimi i sensorit. Kalibrimi i sensorit mund të rrisë kohëzgjatjen e programit deri në 20 min.

PËRSHKRIMI I PROGRAMEVE

Udhëzimi për zgjedhjen e ciklit të larjes.

1 ECO

Programi Eco është i përshtatshëm për larjen e enëve mesatarisht të pista, dhe për këtë qëllim ky është programi më efikas nga pikëpamja e konsumit të energjisë dhe ujit dhe duhet të përdoret për vlerësimin e përputhshmërisë me rregullat e BE-së për dizajnin ekologjik.

2 INTENSIVE

Ky program rekomandohet për enët shumë të pista, veçanërisht për tiganët dhe tenxheret (mos e përdorni për enët delikate).

3 TË PËRZIERA

Papastërtia e përzier. Për enët mesatarisht të pista me pjesët e mbetura të thara të ushqimit.

4 KRESHMË 28'

Ky program përdoret për gjysmën e ngarkesës së enëve pak të pista pa pjesë të mbetura të thara të ushqimit. Nuk ka fazën e tharjes.

5 REGJJE

Përdoret për freskimin e enëve të cilat duhet të lahen. Mos përdorni detergjentin për këtë program.

Shënimet:

Kini parasysh se cikli *Rapid 28'* është i destinuar për enët pak të pista.

OPSIONET DHE FUNKSIONET

OPSIONET mund t'i zgjidhni drejtpërdrejt duke shtypur butonin përkatës (shihni PANELIN E KONTROLLIT).

Nëse një opzion nuk i përshtatet programit të zgjedhur (shihni TABELËN E PROGRAMEVE), drita përkatëse LED do të pulsojë shpejt 3 herë dhe do të dëgjohet një sinjal zanor. Opsioni nuk do të jetë i mundur.

1/2 GJYSMA E NGARKESES

Nëse nuk ka shumë enë për t'u larë, mund të përdorni ciklin për gjysmën e ngarkesës me qëllim të kursimit të ujit, energjisë elektrike dhe detergjentit. Zgjidhni programin dhe shtypni butonin GJYSMA E NGARKESES: do të ndizet drita treguese. Shtypni butonin GJYSMA E NGARKESES për të zgjedhur këtë opzion.

Mos harroni të përgjysmoni sasinë e detergjentit.

TABLETA (Tab)

Ky parametër ju lejon të përshtatni performancën e programit sipas llojit të detergjentit të përdorur.

Shtypni butonin TABLET (llambushka treguese ndizet simboli përkatës ndizet) nëse përdorni detergjentët e kombinuar në formën e tabletit (shpëlarje, kripë dhe detergjent në 1 dozë).

Nëse përdorni detergjentin e pluhurit ose të lëngshëm, ky opzion duhet të jetë i fikur.

h. NDEZJA ME VONESË

Mund të shtyni fillimin e programit për **2, 4** ose **8** orë:

1. Pasi keni zgjedhur programin e dëshiruar dhe të gjitha opsionet e tjera, shtypni butonin NDEZJA ME VONESË. Do të ndizet drita treguese.
2. Zgjidhni kohën e dëshiruar të ndezjes me vonesë duke shtypur disa herë butonin NDEZJA ME VONESË. Dritat treguese për 2 orë, 4 orë dhe 8 orë do të ndizen radhazi. Nëse shtypni edhe një herë butonin NDEZJA ME VONESË, anulohet opsioni dhe fiket drita treguese;
3. Pas procesit të zgjedhjes, numërimi fillon nëse është shtypur butoni FILLIM/PUSHIM. Drita treguese e kohës së zgjedhur të ndezjes me vonesë është ndezur dhe ndriçon butoni FILLIM/PUSHIM (drita e fiksuar).
4. Pasi të ketë kaluar koha, drita treguese e NDEZJES ME VONESË fiket dhe programi fillon automatikisht.

Funksioni NDEZJA ME VONESË nuk mund të konfigurohet nëse ka filluar programi.

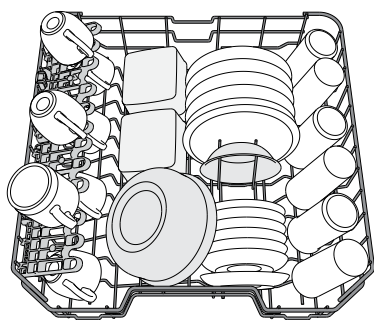
KULLIM

Për të ndaluar dhe anuluar ciklin aktiv, mund të përdorni funksionin KULLIM.

Nëse shtypni gjatë butonin FILLIM/PUSHIM, do të aktivizohet funksioni KULLIM. Programi aktiv do të ndalet dhe enëlarësja do të shkarkojë ujin.

NGARKIMI I RAFTEVE

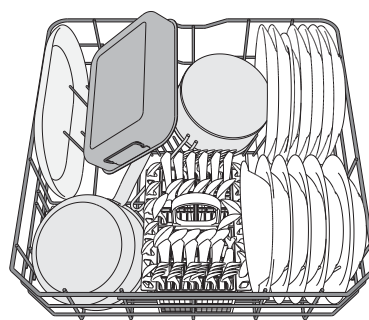
RAFTI I SIPËRM



(shembulli i ngarkimit të raftit të sipërm)

Vendosni enët delikate dhe të lehta: gotat, kupat, tabakatë, enët e cekëta për sallatë.

RAFTI I POSHTËM



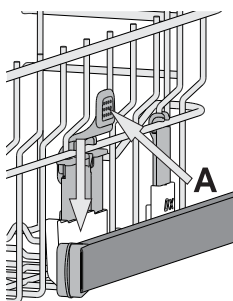
(shembulli i ngarkimit të raftit të poshtëm)

Për tenxheret, mbulesat, pjatat, enët për sallatë, pajisjet për ngrënie etj. Pjatat e mëdha dhe mbulesat duhet të vendosen në anë me qëllim që të shmangen pengesat me spërkatësit.

RREGULLIMI I LARTËSISË SË RAFTIT TË SIPËRM

Lartësia e raftit të sipërm mund të rregullohet: pozita e lartë për vendosjen e enëve të mëdha në shportat e poshtme dhe pozita e ulët për përdorimin maksimal të mbajtësve lëvizës, duke krijuar më shumë hapësirë lart dhe duke shmangur përplasjen e enëve nga rafti i poshtëm.

Rafti i sipërm ka **Rregullimin e lartësisë** së raftit të sipërm (shihni imazhin), pa shtypur dorezat, ngrijeni atë duke mbajtur raftin nga një anë, sapo të vendoset rafti në mënyrë të qëndrueshme në pozitën më të lartë. Për ta kthyer në pozitën më të ulët, shtypni dorezat (A) të cilat gjenden në anët e raftit dhe lëvizni shportën poshtë.



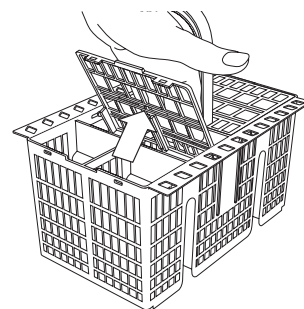
Ju rekomandojmë që të mos rregulloni lartësinë e raftit të mbushur.

KURRË mos ngrini o zbritni shportën vetëm në një anë.

SHPORTA ME TAKËMIN PËR NGRËNIE

Kjo shportë është pajisur me grilat e sipërme për vendosjen më të mirë të takëmit për ngrënie. Vendosni takëmin për ngrënie vetëm në pjesën e përparme të raftit të poshtëm.

Thikat dhe pajisjet e tjera për ngrënie me majat e mprehta duhet të vendosen në shportën e takëmit për ngrënie me tehet e kthyer nga poshtë ose duhet të vendosen horizontalisht në ndarjet e raftit të sipërm.

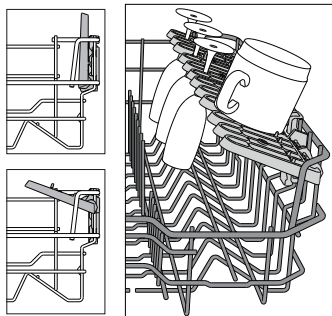


KRAHËT E PALOSSHËM ME POZITËN E RREGULLUESHME

Krahët e palosshëm mund t'i palosni ose shpalosni dhe kështu mund optimizoni vendosjen e enëve brenda raftit. Gotat e verës mund të vendosen në mënyrë të sigurt në krahët e palosshëm duke futur çdo gotë në vrimën përkatëse.

Varësisht nga modeli:

- për të shpalosur krahët, duhet t'i shtypni lart dhe t'i rrotulloni ose t'i ndani nga mbajtësit dhe t'i zbritni poshtë.
- për të palosur krahët, duhet t'i rrotulloni dhe t'i shtypni poshtë ose lart, dhe t'i varni për mbajtësit.



PËRDORIMI I PËRDITSHËM

1. KONTROLLONI LIDHJEN ME RRJETIN E UJIT

Kontrolloni nëse është lidhur enëlarësja me ujësjellësin dhe nëse është hapur rubineti.

2. NDIZNI ENËLARËSEN

Shtypni butonin **ON/OFF**.

3. NGARKONI RAFTET

(shihni **NGARKIMIN I RAFTEVE**)

4. MBUSHJA E KUTISË SË DETERGJENTIT

5. ZGJIDHNI PROGRAMIN DHE KONFIGURONI CIKLIN

Zgjidhni programin më të përshtatshëm në përputhje me llojin e enëve dhe nivelin e papastërtisë (shihni **PËRSHKRIMIN E PROGRAMIT**) duke shtypur butonin **P**. Zgjidhni opsionin e dëshiruar (shihni **OPSIONET DHE FUNKSIONET**).

6. FILLIM

Nisni ciklin e larjes duke shtypur butonin **FILLIM/Pushim**. Kur fillon programi, do të dëgjoni një sinjal zanor.

7. PËRFUNDIMI I CIKLIT TË LARJES

Pas përfundimit të ciklit të larjes do të dëgjohet një sinjal zanor dhe do të pulsojë në ekran treguesi i ciklave të larjes. Fikni pajisjen duke shtypur butonin **ON/OFF** dhe hapni derën.

Pritni disa minuta para se të nxirrni enët me qëllim që të shmangni djegiet. Zbrazni raftet, duke filluar nga rafti i poshtëm.

Enëlarësja do të fiket automatikisht gjatë periudhave të gjata të mospërdorimit me qëllim që të ulët konsumi i energjisë elektrike. Nëse enët janë vetëm pak të pista ose janë shpëlarë me ujë para se t'i vendosni në enëlarësen, ulni sasinë e detergjentit të përdorur.

NDRYSHIMI I PROGRAMIT AKTUAL

Nëse keni zgjedhur një program të gabuar, mund ta ndryshoni, me kusht që sapo ka filluar: shtypni dhe mbani të shtypur butonin **ON/OFF**, enëlarësja do të fiket. Ndizni përsëri enëlarësen duke shtypur butonin **ON/OFF** dhe zgjidhni ciklin e ri të larjes dhe opsionet e tjera të dëshiruara; nisni ciklin duke shtypur butonin **FILLIM/PUSHIM**.

SHTIMI I ENËVE SHITESË

Pa fikur enëlarësen, hapni derën (**kini kujdes nga avulli I NXEHTË!**) dhe vendosni enët në enëlarësen. Mbyllni derën dhe shtypni butonin **FILLIM/PUSHIM**, cikli do të vazhdojë nga momenti i ndërprerjes.

NDËRPRERJET E RASTËSISHTME

Nëse dera mbetet e hapur gjatë ciklit të larjes ose nëse ndodh një ndërprerje e energjisë elektrike, cikli do të ndalet. Pasi keni mbyllur derën ose është rivendosur furnizimi me energji elektrike, shtypni butonin **FILLIM/Pushim** për të nisur përsëri ciklin nga momenti i ndërprerjes.

KËSHILLAT DHE REKOMANDIMET

REKOMANDIMET

Para se të ngarkoni shportat, hiqni të gjitha pjesët e mbetura të ushqimit nga enët dhe zbrazni gotat. Nuk ka nevojë që ta shpëlani paraprakisht me ujë të rrjedhshëm.

Vendosni enët në mënyrë që të qëndrojnë fort në vend dhe që të mos rrëshqasin; vendosni enët me vrimat e kthyer nga poshtë, vendosni pjerrtas pjesët e thelluara/dala, në mënyrë që uji të arrijë të gjitha sipërfaqet dhe të rrjedhë lirisht.

Paralajmërimi: mbulesat, dorezat, tabakatë dhe tiganët nuk parandalojnë rrotullimin e spërkatësve.

Vendosni të gjitha enët e vogla në shportën e takëmit për ngrënie.

Enët shumë të pista dhe tenxheret duhet t'i vendosni në shportën e poshtme sepse spërkatësit janë më të fortë në këtë pjesë dhe ofrojnë performanca më të mira të larjes.

Pasi keni ngarkuar pajisjen, kini kujdes që spërkatësit të rrotullohen lirisht.

ENËT E PAPËRSHTATSHME

- Enët dhe takëmi për ngrënie prej druri.
- Gotat dekorative delikate, zejtaritë artistike dhe enët antike. Dekorimi i tyre nuk është rezistent.
- Pjesët prej materiali sintetik nuk durojnë temperatura të larta.
- Enët prej bakri dhe kallaji.
- Enët e pista nga pluhuri, dylli, yndyra për lyerje ose boja e shkrimit. Ngjyrat e dekorimeve qelqore dhe pjesëve prej alumini/argjendi mund të ndryshohen dhe të zbehen gjatë procesit të larjes. Disa lloje të qelqit (psh. sendet prej kristali) mund të turbullohen pas një numri të caktuar të ciklave të larjes.

DËMTIMI I GOTAVE DHE ENËVE

- Përdorni vetëm gotat dhe enët prej porcelani për të cilat prodhuesi garanton se mund të lahen në enëlarësen.
- Përdorni një detergjent të butë për enët.
- Sapo të përfundohet cikli i larjes mblidhni gotat dhe enët nga enëlarësja.

KËSHILLAT PËR KURSIMIN E ENERGJISË

- Kur enëlarësja përdoret në përputhje me udhëzimet e prodhuesit, **larja e enëve në enëlarësen zakonisht konsumon më pak energji dhe ujë sesa larja me dorë.**

- Për të rritur efikasitetin e enëlarëses, ju rekomandojmë që të **nisni ciklin e larjes kur të ngarkohet plotësisht enëlarësja**. Ngarkimi i enëlarëses deri në kapacitetin e caktuar nga prodhuesi do të kontribuojë në kursimin e energjisë dhe ujit. Informacionet rreth ngarkimit të rregullt të enëve mund t'i gjeni në kapitullin **NGARKIMI I RAFTEVE**.

Në rast të ngarkimit të pjesshëm, rekomandohet përdorimi i opsionit të përshtatshëm të larjes, nëse ekzistojnë (Half load/Zone Wash/Multizone), duke ngarkuar vetëm raftet e zgjedhura. Ngarkimi i parregullt ose mbingarkimi i enëlarëses mund të rrisë konsumin e resurseve (siç janë ujë, energji elektrike dhe kohë, si edhe nivelin e zhurmës), duke ulur performancat e pastrimit dhe tharjes.

- Shpëlarja paraprake me dorë e enëve shkakton konsumin e shtuar të ujit dhe energjisë elektrike dhe nuk rekomandohet.

HIGJIENA

Për të shmangur krijimin e aromave të pakëndshme dhe depozitave në enëlarësen, **ndizni të paktën një herë në muaj programin me temperaturën e lartë**. Përdorni një lugë çaji të detergjentit dhe ndizni programin pa vendosur enët për të pastruar pajisjen.

KUJDESI DHE MIRËMBAJTJA

PASTRIMI I SISTEMIT TË FILTRAVE

Pastroni rregullisht filtrat që të mos bllokohen dhe që ujërat e zeza të shkarkohen në mënyrë të rregullt.

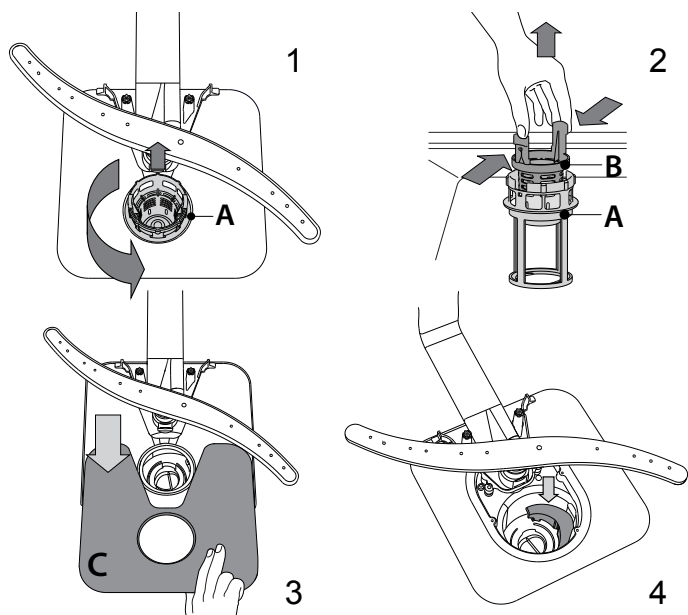
Përdorimi i enëlarësës me filtrat e bllokuar ose sendet e huaja brenda sistemit të filtrimit ose spërkatësve mund të shkaktojë prishjen e pajisjes dhe të rezultojë me humbjen e performancave, punën e zhurmshme ose konsumin më të lartë të resurseve.

Sistemi i filtrave përbëhet prej tre filtrash të cilët heqin pjesët e mbetura të ushqimit nga uji për larje dhe mundësojnë riqarkullimin e ujit.

Enëlarësja nuk duhet të përdoret pa filtra ose në raste kur filtri është i lirshëm.

Kontrolloni sistemin e filtrave të paktën një herë në muaj ose pas çdo 30 ciklave, dhe nëse ka nevojë pastrojeni atë hollësisht me ujë, duke përdorur furçën jometalike dhe duke ndjekur udhëzimet e mëposhtme:

1. Rrotulloni filtrin cilindrik **A** në drejtim të kundërt të akrepave të sahatit dhe nxirreni jashtë atë (imazhi 1).
2. Hiqni filtrin konik **B** duke shtypur lehtë krahët anësorë (imazhi 2).
3. Nxirrni filtrin e sheshtë prej çeliku të pandryshkshëm **C** (imazhi 3).
4. Nëse gjeni ndonjë send të huaj (siç janë qelq i thyer, porcelan, kocka, fara frutash etj.) **hiqini ata me kujdes**.
5. Kontrolloni filtrat dhe hiqni të gjitha pjesët e mbetura të ushqimit. **KURRË MOS HIQNI** mbrojtjen e pompës për ciklin e larjes (pjesa e zezë) (imazhi 4).



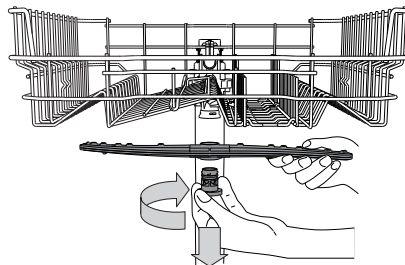
Pas pastrimit të filtrit, rivendosni filtrat dhe shtrëngojeni në mënyrë të rregullt; kjo është e nevojshme për punën efiçente të enëlarësës.

PASTRIMI I ZORRËS SË FURNIZIMIT ME UJË

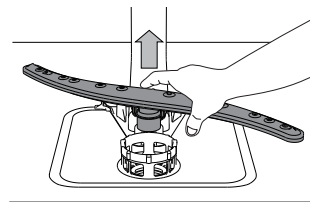
Nëse zorrët e ujit janë të reja ose nuk janë përdorur për një periudhë të gjatë, lini që uji të kalojë nëpër to me qëllim që të siguroheni se janë të pastra dhe të pastrohen nga papastërtitë para se të lidhen. Nëse nuk bëni këtë masë paraprake, furnizimi me ujë mund të bllokohet dhe të dëmtojë enëlarësen.

PASTRIMI I SPËRKATËSVE

Kohë pas kohe, pjesët e mbetura të ushqimit mund të thahen në spërkatësit dhe në këtë mënyrë bllokohen vrimat që përdoren për spërkatjen e ujit. Prandaj ju rekomandojmë që të kontrolloni periodikisht spërkatësit dhe t'i pastroni me një furçë të vogël jometalike.



Për të hequr spërkatësin e sipërm, rrotulloni unazën plastike bllokuese në drejtim të kundërt të akrepave të sahatit. Spërkatësi i sipërm duhet të zëvendësohet në mënyrë që ana me më shumë vrima të kthehet nga lart.



Mund të hiqni spërkatësin e poshtëm duke e tërhequr lart.

SISTEMI I ZBUTJES SË UJIT

Zbutësi i ujit ul automatikisht fortësinë e ujit duke parandaluar grumbullimin e gëlqeres në ngrohësin, dhe gjithashtu kontribuon në efiçasitetin më të mirë të pastrimit.

Ky sistem vetë-rigjenerohet me kripë, dhe prandaj duhet të mbushni kutinë e kripës kur është e zbrazët.



Shpeshësia e rigjenerimit varet nga konfigurimi i nivelit të fortësisë së ujit. Rigjenerimi zhvillohet njëherë në 6 cikla Eco me nivelin e konfiguruar të fortësisë së ujit në 3.

Procesi i rigjenerimit fillon në shpëlarjen përfundimtare dhe përfundon në fazën e tharjes, para se të përfundojë ciklin.

- Rigjenerimi individual i konsumon: ~3.5L ujë;
- Nevojiten deri 5 minuta shtesë për ciklin;
- Konsumon nën 0.005 kWh energji.

ZGJIDHJA E PROBLEMIT

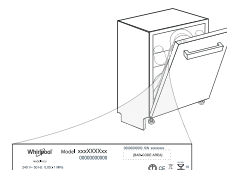
Nëse enëlarësja juaj nuk punon në mënyrë të rregullt, kontrolloni nëse mund të zgjidhni problemin me anë të listës së mëposhtme. Për gabimet ose problemet e tjera kontaktoni shërbimin e autorizuar të shitjes detajet e kontaktit të të cilit mund t'i gjeni në librezën e garancisë. Pjesët rezervë do të jenë në dispozicion për një periudhë nga 7 deri 10 vjet, në përputhje me Kërkesat rregulluese.

PROBLEMET	SHKAQET E MUNDURA	ZGJIDHJET
 Treguesi i kripës është nderur.	Kutia e kripës është e zbrazët. (Pas rimbushjes, treguesi i kripës mund të mbetet i nderur gjatë disa ciklave të largjes).	Rimbushni kutinë e kripës (për më shumë informacione shihni faqen 2). Konfigurimi i fortësisë së uji - shihni tabelën në faqen 2.
 Treguesi i mjetit për shpëlarje është nderur.	Kutia e mjetit për shpëlarje është e zbrazët. (Pas rimbushjes, treguesi i mjetit për shpëlarje mund të mbetet i nderur gjatë disa ciklave të largjes).	Rimbushni kutinë e kripës (për më shumë informacione shihni faqen 2).
Enëlarësja nuk do të fillojë të punojë ose nuk reagon ndaj komandave.	Pajisja nuk është lidhur mirë në furnizimin me energji elektrike.	Vendosni kabllon elektrike në prizën elektrike.
	Nuk ka energji elektrike.	Për arsye sigurie, enëlarësja nuk do të fillojë të punojë automatikisht pas rikthimit të energjisë elektrike. Hapni derën e enëlarësës, shtypni butonin FILLIM/Pushim dhe mbyllni derën përsëri brenda 4 sekondave.
	Dera e enëlarësës nuk është mbyllur.	Shtypni fort derën derisa të dëgjohet një tingull "klik"
	Cikli ndërpritet kur dera hapet për më shumë se 4 sekonda.	Shtypni butonin FILLIM/Pushim dhe mbyllni derën përsëri brenda 4 sekondave.
	Nuk reagon ndaj komandave.	Fikni pajisjen duke shtypur butonin ON/OFF, ndizeni përsëri atë pas një minute dhe rivendosni programin. Nëse problemi vazhdon, nxirrni kabllon elektrike për 1 minutë, dhe pastaj lidheni përsëri.
Uji nuk rrjedh nga enëlarësja.	Cikli i largjes nuk ka përfunduar ende.	Pritni që të përfundojë cikli i largjes.
	Zorra e kullimit është përthyer.	Kontrolloni nëse është përthyer zorra e kullimit (shihni UDHËZIMET E INSTALIMIT).
	Zorra e kullimit të lavamanit është bllokuar.	Pastroni zorrën e kullimit të lavamanit.
	Filtri është bllokuar me pjesët e mbetura të ushqimit.	Pastroni filtrin (shihni PASTRIMIN E SISTEMIT TË FILTRAVE).
Enëlarësja bën zhurmë të jashtëzakonshme.	Enët përplasen njëri me tjetrin.	Ndani enët në mënyrë të rregullt (shihni NGARKIMIN E RAFTEVE).
	Krijohet shumë shkumë.	Detergjenti nuk është matur mirë ose nuk është i përshtatshëm për përdorim në enëlarësen (shihni MBUSHJA E KUTISË SË DETERGJENTIT). Rivendosni enëlarësen duke shtypur butonin KULLIM (shihni OPSIONET DHE FUNKSIONET) dhe nisni programin e ri pa detergjent.
Enët nuk janë të pastra.	Enët nuk janë vendosur në mënyrë të rregullt.	Ndani enët në mënyrë të rregullt (shihni NGARKIMIN E RAFTEVE).
	Spërkatësit nuk mund të rrotullohen lirisht sepse i pengojnë enët.	Ndani enët në mënyrë të rregullt (shihni NGARKIMIN E RAFTEVE).
	Ciki i largjes është shumë i butë.	Zgjidhni ciklin përkatës të largjes (shihni TABELËN E PROGRAMEVE).
	Krijohet shumë shkumë.	Detergjenti nuk është matur mirë ose nuk është i përshtatshëm për përdorim në enëlarësen (shihni MBUSHJA E KUTISË SË DETERGJENTIT).
	Nuk është mbyllur mirë kapaku në kutinë e mjetit për shpëlarje.	Kini kujdes që të mbyllet kapaku i kutisë së mjetit për shpëlarje.
	Filtri është i pistë ose i bllokuar.	Pastroni sistemin e filtrave (shihni KUJDESI DHE MIRËMBAJTJA).
	Nuk ka kripë.	Mbushni kutinë e kripës (shihni MBUSHJA E KUTISË SË KRIPËS).
Enëlarësja nuk merr ujin. Të gjitha dritat LED pulsojnë shpejt	Nuk ka ujë në sistemin e furnizimit me ujë ose është mbyllur rubineti.	Kini kujdes që të ketë ujë në sistemin e furnizimit me ujë ose që rubineti të jetë i hapur.
	Zorra e furnizimit me ujë është përthyer.	Kini kujdes që zorra e furnizimit me ujë të mos përthyeret (shihni INSTALIMIN), konfiguroni përsëri programin dhe ndizni enëlarësen.
	Sita në zorrën e furnizimit me ujë është bllokuar; duhet të pastrohet.	Pasi keni bërë kontrollimin dhe pastrimin, fikni dhe ndizni enëlarësen dhe nisni përsëri programin e ri.
Enëlarësja mbaron shumë herët ciklin.	Zorra e kullimit është vendosur shumë ulët ose sifonimi shkon në sistemin e kanalizimit të shtëpisë.	Kontrolloni nëse fundi i zorrës së kullimit është vendosur në lartësinë e duhur (shihni INSTALIMIN). Kontrolloni nëse sifonimi shkon në sistemin e kanalizimit të shtëpisë, nëse ka nevojë instaloni ventilin për furnizimin me ajër.
	Ajër në furnizimin me ujë.	Kontrolloni nëse furnizimi me ujë rrjedh ose problemet e tjera lënë ajrin brenda.
Rrjedhja e detergjentit.	Varet nga lloji i detergjentit të lëngshëm që përdoret dhe mund të theksohet nëse aktivizohet opsioni i vonimit.	Rrjedhjet e vogla nuk çojnë në keqfunksionimin e makinës. Ato mund të shmangen duke ndryshuar llojin e detergjentit të lëngshëm ose duke përdorur tableta.

Udhëzimet, dokumentacionet standarde dhe informacionet shtesë mund të gjenden:

- Duke përdorur kodin QR
- Në faqen tonë të internetit docs.hotpoint.eu dhe parts-selfservice.europeanappliances.com
- Gjithashtu, mund të kontaktoni shërbimin tonë të shitjes (numri telefonik gjendet në librezën e garancisë). Kur kontaktoni shërbimin tonë të shitjes për klientët, ju lutemi të lexoni shifrat të cilat gjenden në pllakëzën identifikuese të produktit tuaj.

Informacionet rreth modelit mund t'i shkarkoni duke përdorur kodin QR të shkruar në shenjë energjetike. Shenja përfshin edhe identifikuesin e modelit që mund të përdoret për kontrollimin e regjistrimit në portalin, në adresën <https://eprel.ec.europa.eu>.



UPUTSTVO ZA SVAKODNEVNU UPOTREBU



HVALA ŠTO STE KUPILI PROIZVOD KOMPANIJE HOTPOINT ARISTON. Kako biste dobili kompletniju podršku, molimo da registrujete Vaš uređaj na: www.hotpoint.eu/register

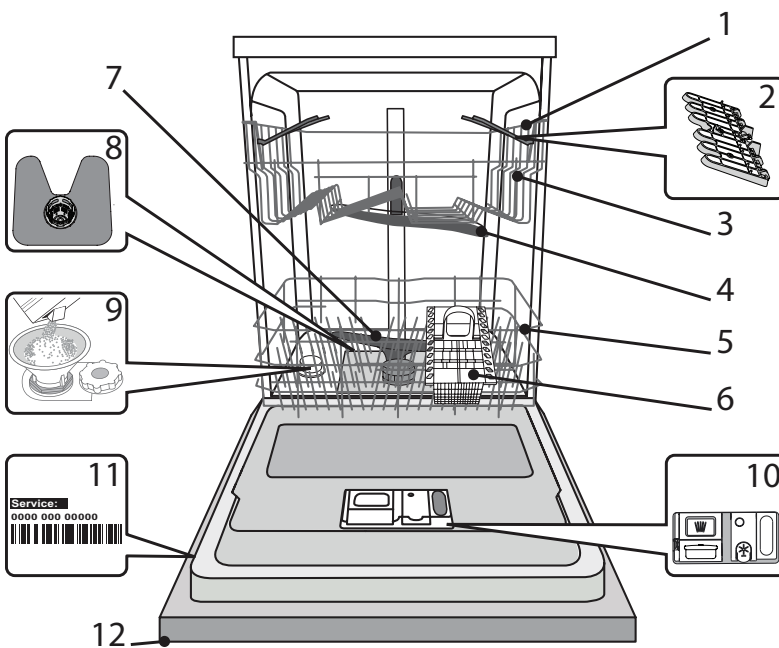
SKENIRAJTE QR KOD NA SVOM UREĐAJU DA BISTE DOBILI DETALJNIJE INFORMACIJE



Pre korišćenja uređaja pažljivo pročitajte Bezbednosna Uputstva.

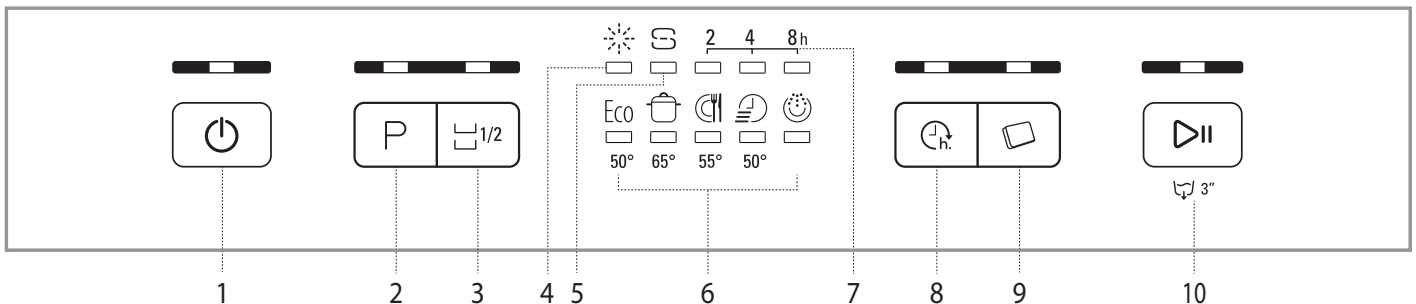
OPIS PROIZVODA

UREĐAJ



1. Gornja korpa
2. Sklopiva krilca
3. Podešivač visine gornje korpe
4. Gornja prskalica
5. Donja korpa
6. Korpa za pribor za jelo
7. Donja prskalica
8. Sklop filtera
9. Rezervoar za so
10. Posude za deterdžent i sredstvo za ispiranje
11. Natpisna pločica
12. Kontrolna tabla

KONTROLNA TABLA



1. Dugme za uključivanje-isključivanje/ponovno podešavanje sa svetlosnim indikatorom
2. Dugme za biranje programa sa svetlosnim indikatorom
3. Dugme Polupuno sa svetlosnim indikatorom
4. Svetlosni indikator za sredstvo za ispiranje
5. Svetlosni indikator za dopunu soli
6. Signalne lampice programa
7. Signalna lampica za Odloženog Starta
8. Dugme za Odlaganje sa svetlosnim indikatorom
9. Dugme za Tableta (Tab) sa svetlosnim indikatorom
10. Dugme za Početak/Pauzu sa svetlosnim indikatorom / Oticanje vode

Hotpoint

ARISTON

PRVA UPOTREBA

SO, SREDSTVO ZA ISPIRANJE I DETERDŽENT

SAVETI U VEZI SA PRVOM UPOTREBOM

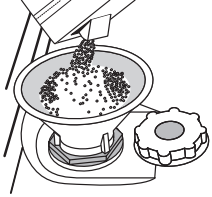
Nakon ugradnje, uklonite zapašaće sa korpi i elastične elemente za zadržavanje sa gornje korpe.

PUNJENJE REZERVOARA ZA SO

Upotreba soli sprečava stvaranje KAMENCA na posudu i na funkcionalnim komponentama mašine.

- Obavezno je **DA REZERVOAR ZA SO NIKADA NE BUDE PRAZAN.**
- Važno je podesiti tvrdoću vode.

Rezervoar za so se nalazi u donjem delu mašine za pranje sudova (videti OPIS PROIZVODA) i mora se puniti kada se uključi **INDIKATORSKO SVETLO DOPUNA SOLI** na kontrolnoj tabli.



1. Uklonite donju korpu i odvrnite poklopac rezervoara (u smeru suprotnom od smeru kretanja kazaljki na satu).
2. **Samo prvi put kada ovo radite: napunite rezervoar za so vodom.**
3. Postavite levak (vidite sliku) i napunite rezervoar za so do ivice (oko 1 kg); nije neuobičajeno da malo vode iscuri.
4. Uklonite levak i obrišite ostatke soli sa otvora.

Vodite računa da poklopac bude čvrsto zavijen, tako da deterdžent ne može da uđe u posudu tokom programa pranja (to može da ošteti omekšivač za vodu tako da se ne može popraviti).

Kad god je potrebno da dodate so, obavezno je da obavite proceduru pre početka ciklusa pranja da bi se izbegla korozija.

PODEŠAVANJE TVRDOĆE VODE

Da bi omekšivač za vodu radio kako treba, neophodno je da tvrdoća vode bude podešena na osnovu stvarne tvrdoće vode u vašoj kući. Ove informacije možete dobiti od lokalnog snabdevača vodom. Podrazumevana vrednost tvrdoće vode se fabrički podešava.

- Uključite uređaj pritiskom na dugme **UKLJUČI/ISKLJUČI.**
- Isključite uređaj pritiskom na dugme **UKLJUČI/ISKLJUČI.**
- Zadržite dugme **POČETAK/Pauza** 5 sekundi, dok se ne začuje zvučni signal.
- Uključite uređaj pritiskom na dugme **UKLJUČI/ISKLJUČI.**
- Upaliće se signalna lampica programa trenutno izabranog nivoa.
- Pritisnite taster **P** za izbor željene tvrdoće vode (videti **TABELU TVRDOĆE VODE**).

Tabela tvrdoće vode

Nivo		°dH nemački stepeni	°fH francuski stepeni	°Clark engleski stepeni
1	Meka	0 - 6	0 - 10	0 - 7
2	Srednja	7 - 11	11 - 20	8 - 14
3	Prosečna	12 - 16	21 - 29	15 - 20
4	Tvrda	17 - 34	30 - 60	21 - 42
5	Veoma tvrda	35 - 50	61 - 90	43 - 62

- Isključite uređaj pritiskom na dugme **UKLJUČI/ISKLJUČI**

Podešavanje je završeno!

Čim se ovaj postupak završi, pokrenite program bez punjenja.

Koristite samo so koja je posebno napravljena za mašine za pranje sudova.

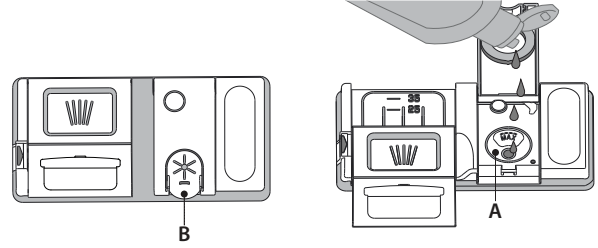
Nakon što sipate so u mašinu, svetlosni indikator za DOPUNA SOLI se isključuje.

Ako rezervoar za so nije pun, može doći do oštećenja omekšivača vode i grejača usled nagomilavanja kamenca.

Korišćenje soli se preporučuje sa bilo kojom vrstom deterdženta za mašinu za pranje sudova.

PUNJENJE POSUDA ZA SREDSTVO ZA ISPIRANJE

Sredstvo za ispiranje olakšava SUŠENJE posuda. Posuda za sredstvo za ispiranje **A** treba da se napuni kada se upali **svetlosni indikator DOPUNA SREDSTVA ZA ISPIRANJE** na kontrolnoj tabli.



1. Otvorite posudu **B** tako što ćete pritisnuti i povući na gore jezičak na poklopcu.
2. Pažljivo sipajte sredstvo za ispiranje do oznake za maksimum (110 ml) na prostoru za punjenje - izbegavajte prosipanje. Ako se to dogodi, odmah obrišite prosuto suvom krpom.
3. Pritisnite poklopac dok se ne začuje zvuk škljocanja.

NIKADA ne sipajte sredstvo za ispiranje direktno u kadicu.

PODEŠAVANJE DOZIRANJA SREDSTVA ZA ISPIRANJE

Ako niste u potpunosti zadovoljni rezultatima sušenja, možete da podesite količinu sredstva za ispiranje koja se koristi.

- Uključite mašinu za pranje sudova pomoću dugmeta **UKLJUČI/ISKLJUČI.**
- Isključite je pomoću dugmeta **UKLJUČI/ISKLJUČI.**
- Pritisnite dugme **POČETAK/Pauza** tri puta - začuće se zvučni signal.
- Uključite je pomoću dugmeta **UKLJUČI/ISKLJUČI.**
- Upaliće se signalna lampica programa trenutno izabranog nivoa.
- Pritisnite dugme **P** da biste izabrali nivo količine sredstva za ispiranje koje će se koristiti.
- Isključite pomoću dugmeta **UKLJUČI/ISKLJUČI.**

Podešavanje je završeno!

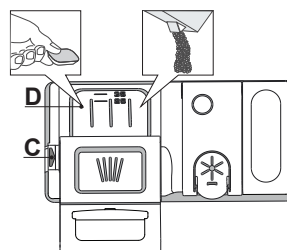
Ako je nivo sredstva za ispiranje podešen na 1 (ECO), sredstvo za ispiranje se neće koristiti. Svetlosni indikator **NIZAK NIVO SREDSTVA ZA ISPIRANJE** neće svetleti ako nestane sredstva za ispiranje.

Mogu se podesiti maksimalno 5 nivoa u zavisnosti od modela mašine za pranje sudova. Fabričko podešavanje zavisi od modela, sledite gorenavedena uputstva da biste proverili za svoju mašinu.

- Ako vidite plavičaste tragove na posudu, podesite nizak broj (2-3).
- Ako na posudu ima kapljica vode ili tragova kamenca, podesite visok broj (4-5).

PUNJENJE POSUDE ZA DETERDŽENT

Za otvaranje posude za deterdžent koristite uređaj za otvaranje C. Deterdžent sipajte samo u suhu posudu D. Deterdžent za pretpranje sipajte direktno u kadicu.


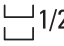



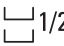



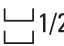






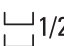



1. Za odmeravanje deterdženta pogledajte prethodno pomenute informacije kako biste sipali odgovarajuću količinu. U posudi **D** nalaze se oznake koje vam mogu pomoći u doziranju deterdženta.
2. Uklonite ostatke deterdženta sa ivica posuda pre nego što i zatvorite poklopac dok se ne začuje zvuk škljocanja.
3. Zatvorite poklopac posude za deterdžent povlačenjem na gore dok uređaj za zatvaranje ne bude čvrsto na mestu.

Posuda za deterdžent se automatski otvara u odgovarajućem trenutku u skladu sa programom. Ako koristite deterdžente sve u jednom, preporučujemo da koristite dugme **TABLETA**, jer ono podešava program tako da se uvek postignu najbolji rezultati pranja i sušenja.

Korišćenje deterdžente koji nije namenjen za mašine za pranje sudova može da izazove kvar ili oštećenje uređaja.

TABELA SA PROGRAMIMA

Program	Faza sušenja	Dostupne opcije *)	Trajanje programa za pranje (h:min)**)	Potrošnja vode (litri/ciklus)	Potrošnja energije (kWh/ciklus)
1. Eko  50°	✓	  	3:35	9,5	0,95
2. Intenzivan  65°	✓	  	2:40	18,0	1,60
3. Mešano  55°	✓	  	2:15	16,0	1,40
4. Brzi program 28'  50°	✗	 	0:28	9,0	0,50
5. Potapanje  -	✗	 	0:12	4,7	0,01

Podaci programa EKO su mereni u laboratorijskim uslovima u skladu sa evropskim standardom EN 60436:2020. Napomena za laboratorije za testiranje: za informacije na uslove komparativnog ispitivanja EN, pogledajte adresa: dw_test_support@europeanappliances.com

Prethodno tretiranje posuđa nije potrebno ni za jedan program.

*) Ne mogu se sve opcije koristiti istovremeno.

**) Vrednosti koje su date za programe koji nisu Eko program su samo pokazne. Stvarno vreme može da varira u zavisnosti od mnogih faktora kao što su temperatura, količina deterdženta, količina i vrsta posuđa, balansiranje posuđa, dodatne izabrane opcije i kalibracija senzora. Kalibracija senzora može da poveća trajanje programa do 20 min.

OPIS PROGRAMA

Uputstva za biranje ciklusa pranja.

1 EKO

Eko program je podesan za pranje umereno zaprljanog posuđa, i u tu svrhu je ovo najefikasniji program u pogledu kombinovane potrošnje energije i vode i da se koristi za procenu usklađenosti sa propisima EU za ekološki dizajn.

2 INTENZIVAN

Program preporučan za jako zaprljano posuđe, naročito za tiganje i šerpe (ne koristiti za osetljivo posuđe).

3 MEŠANO

Različito uprljano posuđe. Za normalno zaprljano posuđe sa sasušanim ostacima hrane.

4 BRZI PROGRAM 30'

Program za korišćenje sa polupunom mašinom ili sa blago zaprljanim posuđem bez sasušanih ostataka hrane. Nema faze sušenja.

5 POTAPANJE

Koristi se za osvežavanje keramičkog posuđa koje će se kasnije oprati. Za ovaj program se ne koristi deterdžent.

Napomene:

Imajte u vidu da je ciklus *Brzi program 28'* namenjen za blago zaprljano posuđe.

OPCIJE I FUNKCIJE

OPCIJE se mogu direktno odabrati pritiskom na odgovarajuće dugme (*videti KONTROLNU TABLU*).

Ako opcija ne odgovara izabranom programu videti TABELU SA PROGRAMIMA, odgovarajuće LED svetlo će brzo da zatreperi 3 puta i oglašiće se zvučni signal. Opcija neće biti omogućena.

1/2 POLUPUNO

Ako nema puno posuđa za pranje, može se koristiti opcija za polupunu mašinu radi uštede vode, električne energije i deterdženta. Izaberite program, a zatim pritisnite dugme POLUPUNO: svetlosni indikator će zasvetleti. Pritisnite dugme POLUPUNO da poništite biranje ove opcije.

Vodite računa da količinu deterdženta duplo smanjite.

ODLAGANJE

Moguć je odloženi start programa za **2, 4 ili 8 sati**.

1. U tom cilju nakon što izaberete program, molimo da pritisnete taster ODLOŽENOG STARTA. Uključiće se kontrolna lampica.
2. Molimo da izaberete vreme odloženog starta, pritiskajući nekoliko puta taster ODLOŽENOG STARTA. Prikazaće se radom moguća vremena odloženog starta: 2 sata, 4 sata ili 8 sati. Nakon ponovnog pritiska na taster ODLOŽENOG STARTA opcija će se isključiti, a kontrolna lampica ugasiti.
3. Nakon izbora procesa počće merenje vremena, ako se pritisne taster POČETAK/Pauza. Uključiće se signalna lampica izabranog vremenskog perioda odloženog starta i svetliti taster POČETAK/Pauza (konstantno svetlo).
4. Nakon isteka izabranog vremena odloženog starta, signalna lampica će se isključiti, a program će se pokrenuti.

Funkcija ODLAGANJE se ne može podesiti kada program počne.

TABLETA (Tab)

Ova postavka vam omogućava da optimizujete performanse programa u zavisnosti od vrste deterdženta koji koristite. Dugme TABLET (odgovarajući simbol će zasvetleti) ukoliko koristite kombinovane deterdžente u obliku tablete (sredstvo za ispiranje, so i deterdžent u jednoj dozi).

Ukoliko koristite deterdžent u prahu ili tečni deterdžent, ova opcija treba da bude isključena.

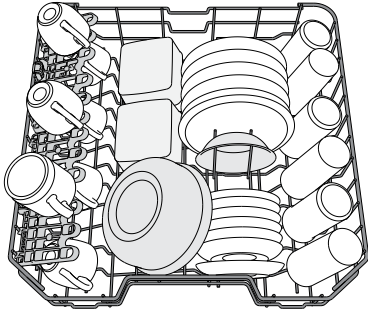
OTICANJE VODE

Za zaustavljanje i promenu aktivnog ciklusa može se koristiti funkcija Oticanje vode.

Dugi pritisak na dugme POČETAK/Pauza aktivira funkciju OTICANJE VODE. Aktivni program se zaustavlja i voda iz mašine za pranje sudova otiče.

PUNJENJE KORPI

GORNJA KORPA



Stavite osetljivo i lako posuđe: čaše, šolje, tacne, plitke posude za salatu.

(primer punjenja gornje korpe)

PODEŠAVANJE VISINE GORNJE KORPE

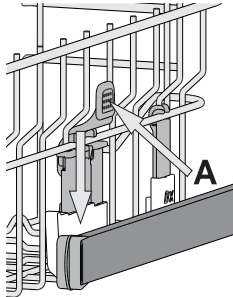
Visina gornje korpe se može podesiti: visoki položaj za postavljanje velikog posuđa u donju korpu i nizak položaj za maksimalno korišćenje držača koji se pomeraju, tako što se stvara više prostora na gore i izbegava sudaranje sa sudovima iz donje korpe.

Gornja korpa ima **Podešivač visine gornje korpe** (vidite sliku), bez pritiskanja ručica, jednostavno podignite držeći korpu sa strane, čim se korpa stabilno namesti u viši položaj.

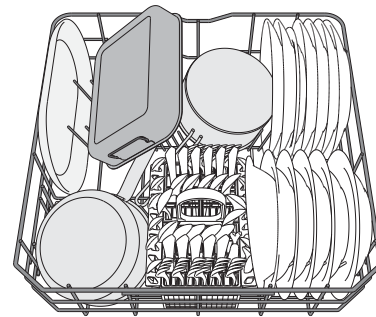
Da biste vratili na niži položaj, pritisnite ručice **A** koje se nalaze na stranama korpe i pomerite korpu na dole.

Preporučujemo da ne podešavate visinu korpe kada je napunjena.

NIKADA ne podižite niti spuštajte samo jednu stranu korpe.



DONJA KORPA



(primer punjenja donje korpe)

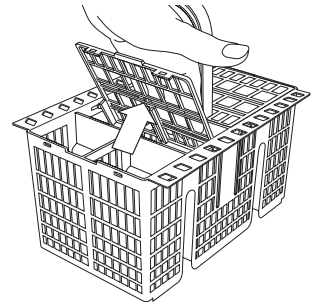
Za šerpe, poklopce, tanjire, posude za salatu, pribor itd. Velike tanjire i poklopce treba stavljati sa strane, kako bi se izbeglo dodirivanje prskalice.

KORPA ZA PRIBOR ZA JELO

Ima rešetke pri vrhu za bolje postavljanje pribora.

Mora se postaviti samo u prednjem delu donje korpe.

Noževi i drugi pribor oštih ivica se mora postaviti u korpu za pribor sa vrhovima okrenutim na dole ili se staviti u horizontalan položaj u odeljak koji se pomera u gornjoj korpi.



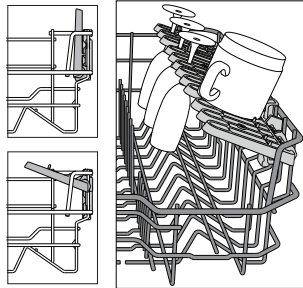
SKLOPIVA KRILCA SA PODESIVIM POLOŽAJEM

Sklopiva krilca možete da sklopite ili rasklopite i tako pronađete najbolji raspored posuđa na rešetki.

Čaše za vino se bezbedno mogu staviti u sklopiva krilca tako što se stopa svake čaše stavi u odgovarajući otvor.

Zavisno od modela:

- da biste rasklopili krilca, treba da ih gurnete nagore i okrenete ili da ih odvojite od držača i spustite nadole.
- da biste sklopili krilca, treba da ih okrenete i gurnete nadole ili nagore, pa ih zakačite za držače.



SVAKODNEVNA UPOTREBA

1. PROVERITE PRIKLJUČAK NA VODOVODNU MREŽU

Proverite da li je mašina za pranje sudova povezana na dovod vode i da je slavina otvorena.

2. UKLJUČITE MAŠINU ZA PRANJE SUDOVA

Pritisnite dugme **UKLJUČI/ISKLJUČI**.

3. NAPUNITE KORPE (videti PUNJENJE KORPI)

4. PUNJENJE POSUDE ZA DETERDŽENT

5. IZABERITE PROGRAM I PRILAGODITE CIKLUS

Izaberite najprikladniji program u skladu sa vrstom posuđa i nivoom zaprljanosti (videti *OPIS PROGRAMA*) pritiskom na dugme **P**. Izaberite željene opcije (videti *OPCIJE I FUNKCIJE*).

6. POČETAK

očnite ciklus pranja pritiskom na dugme **POČETAK/Pauza**.

Kada program počne, začuje se zvučni signal.

7. ZAVRŠETAK CIKLUSA PRANJA

Završetak ciklusa pranja se signalizira zvučnim signalom, dok se na displeju i upaljuje se kontrolna lampica izabranog programa. Otvorite vrata i isključite uređaj pritiskom na dugme **UKLJUČI/ISKLJUČI**. Sačekajte nekoliko minuta pre nego što izvadite posuđe - da biste izbegli opekotine. Ispraznite korpe, počevši sa donjom.

Mašina će se automatski isključiti tokom dužih perioda neaktivnosti, kako bi se smanjila potrošnja električne energije.

Ako je posuđe samo blago uprljano ili ako ga isperete vodom pre nego što ga stavite u mašinu za pranje sudova, u skladu s tim smanjite količinu deterdženta koji koristite.

MENJANJE PROGRAMA KOJI JE U TOKU

Ako ste izabrali pogrešan program, možete da ga promenite, pod uslovom da je tek počeo: pritisnite i zadržite dugme **UKLJUČI/ISKLJUČI**, mašina će se isključiti.

Ponovo uključite mašinu pomoću dugmeta **UKLJUČI/ISKLJUČI**

i izaberite novi ciklus pranja i željene opcije; pokrenite ciklus tako što ćete pritisnite dugme **POČETAK/Pauza**.

DODAVANJE DODATNOG POSUĐA

Bez isključivanja mašine, otvorite vrata (**pazite na VRELU paru!**)

i stavite posuđe u mašinu za pranje sudova. Zatvorite vrata i pritisnite dugme **POČETAK/Pauza**. ciklus će nastaviti od trenutka u kom je zaustavljen.

SLUČAJNI PREKIDI

Ako su vrata otvorena tokom ciklusa pranja ili ako dođe do prekida električne energije, ciklus se zaustavlja. Kada zatvorite vrata ili kada dođe do uspostavljanja električne energije, da ponovo pokrenete ciklus tamo gde je stao, pritisnite dugme **POČETAK/Pauza**.

SAVETI I PREDLOZI

SAVETI

Pre nego što napunite korpe, uklonite sve ostatke hrane sa posuđa i ispraznite čaše. **Nije potrebno da prethodno ispirate vodom.** Posuđe postavite tako da stoji čvrsto na mestu i da ne sklizne; posuđe postavite sa otvorima okrenutim na dole, a udubljene/ispupčene delove postavite koso, kako bi voda mogla da dopre do svih površina i da slobodno teče.

Upozorenje: poklopci, ručice, poslužavnici i tiganji ne sprečavaju rotiranje prskalica.

Svo malo posuđe stavite u korpu za pribor.

Veoma zaprljano posuđe i šerpe bi trebalo da stavite u donju korpu, jer su prskalice u ovom delu jače i pružaju bolje performanse pranja. Nakon što napunite uređaj, vodite računa da prskalice mogu slobodno da se rotiraju.

NEODGOVARAJUĆE POSUĐE

- Drveno posuđe i pribor.
- Osetljive ukrašene čaše, umetničke rukotvorine i antičko posuđe. Dekoracija na njima nije otporna.
- Delovi od sintetičkog materijala ne podnose visoke temperature.
- Posuđe od bakra i kalaja.
- Posuđe zaprljano pepelom, voskom, mašću za podmazivanje ili mastilom.

Boja dekoracije na staklu i komadima od aluminijuma/srebra može da se promeni i izbledi tokom procesa pranja. Neke vrste stakla (npr. kristalni predmeti) takođe mogu da se zamute nakon određenog broja ciklusa pranja.

OŠTEĆENJE ČAŠA I POSUĐA

- Koristite samo čaše i porculansko posuđe za koje proizvođač garantuje da je bezbedno za mašinsko pranje.
- Koristite blag deterdžent za posuđe
- Sakupite čaše i posuđe iz mašine za pranje sudova čim se ciklus pranja završi.

SAVETI ZA UŠTEDU ENERGIJE

- Kada se mašina za pranje sudova za domaćinstvo koristi u skladu sa uputstvima proizvođača, **pranje posuđa u mašini za pranje sudova uglavnom troši MANJE ENERGIJE i vode od ručnog pranja.**
- Da biste povećali efikasnost mašine za pranje sudova, **preporučuje se da ciklus pranja pokrenete kada se mašina za sudove u potpunosti napuni.** Punjenje mašine za pranje sudova za domaćinstvo do kapaciteta koji je naveo proizvođač će doprineti uštedi energije i vode. Informacije o pravilnom slaganju posuđa možete pronaći u poglavlju PUNJENJE KORPI. U slučaju delimične napunjenosti, preporučuje se da koristite odgovarajuće opcije za pranje, ako postoje (Half load/Zone Wash/Multizone (Polupuno/zonsko pranje/više zona)), popunjavajući samo izabrane korpe. Nepravilno punjenje ili prepunjavanje mašine za pranje sudova može da poveća potrošnju resursa (poput vode, energije i vremena, kao i da poveća nivo buke), smanjujući performanse čišćenja i sušenja.
- Ručno predispiranje komada posuđa dovodi do povećane potrošnje vode i energije i nije preporučljivo.

HIGIJENA

Da bi se izbeglo stvaranje neprijatnih mirisa i naslaga u mašini za pranje sudova, **program sa visokom temperaturom pokrenite najmanje jednom mesečno.** Koristite jednu kafenu kašičicu deterdženta i pokrenite program bez postavljanja posuđa kako biste očistili uređaj.

NEGA I ODRŽAVANJE

ČIŠĆENJE SKLOPA FILTERA

Redovno čistite sklop filtera kako se filteri ne bi zapušili i kako bi otpadna voda pravilno oticala.

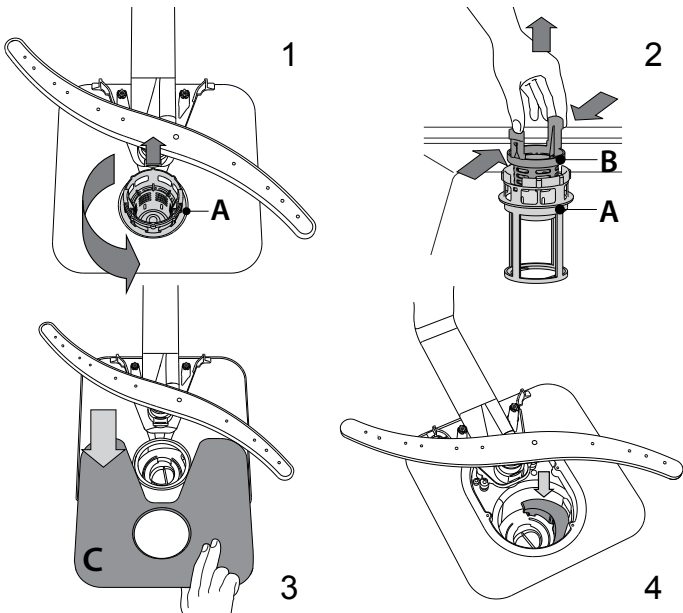
Korišćenje mašine za pranje sudova sa zapušanim filterima ili stranim predmetima unutar sistema za filtriranje ili prskalicama može dovesti do kvara uređaja i time gubitka performansi, glasnog rada ili veće potrošnje resursa.

Sklop filtera se sastoji od tri filtera koji uklanjaju ostatke hrane iz vode za pranje i omogućavaju recirkulaciju vode.

Mašina za pranje sudova se ne sme koristiti bez filtera ili ako je filter labav.

Barem jednom mesečno ili nakon svakih 30 ciklusa, proverite sklop filtera i ukoliko je potrebno detaljno ga očistite pod mlazom vode, pomoću četke koja nije metalna i sledeći uputstva navedena u nastavku:

1. Okrenite cilindrični filter **A** u smeru suprotnom od smeru kretanja kazaljki na satu i izvucite ga (slika 1).
2. Uklonite kupasti filter **B** primenom blagog pritiska na bočna krilca (slika 2).
3. Izvucite pločasti filter od nerđajućeg čelika **C** (slika 3).
4. Ukoliko pronađete strane predmete (kao što je slomljeno staklo, porcelan, kosti, semenke voća itd.) **pažljivo ih uklonite**.
5. Proverite sklopku i uklonite sve ostatke hrane. **NIKADA NE UKLANJAJTE** zaštitu pumpe za ciklus pranja (crni deo) (slika 4).



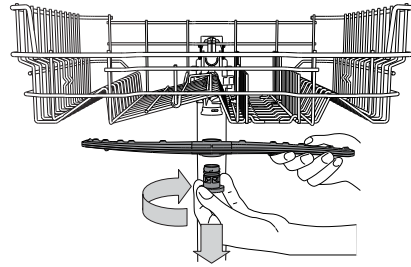
Nakon čišćenja filtera, ponovo postavite sklop filtera i pravilno ih pričvrstite na mesto; ovo je neophodno za efikasan rad mašine za pranje sudova.

ČIŠĆENJE CREVA ZA DOVOD VODE

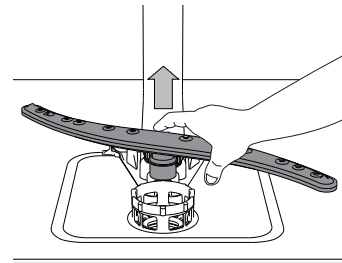
Ako su creva za vodu nova ili neko vreme nisu korišćena, pustite vodu kroz njih da biste bili sigurni da su čista i da bi se očistila od nečistoća pre nego što se povežu. Ako ne obavite ovu meru opreza, dovod vode se može blokirati i oštetiti mašinu za pranje sudova.

ČIŠĆENJE PRSKALICA

Povremeno, ostaci hrane mogu da se score na prskalicama i tako blokiraju otvore za prskanje vode. Stoga se preporučuje da povremeno proveravate prskalice i čistite ih malom četkom koja nije od metala.



Da biste uklonili gornju prskalicu, okrenite plastični prsten za zaključavanje u smeru kretanja kazaljki na satu. Gornja prskalica se ponovo postavlja tako da strana sa više otvora bude okrenuta na gore.



Donju prskalicu možete ukloniti tako što ćete je povući na gore.

SISTEM ZA OMEKŠAVANJE VODE

Omekšivač vode automatski smanjuje tvrdoću vode i time sprečava nakupljanje kamenca na grejaču, čime takođe doprinosi efikasnijem čišćenju.

Ovaj sistem sam sebe regeneriše pomoću soli, te je stoga obavezno da dopunite rezervoar za so kada je prazan.

Učestalost regeneracije zavisi od postavke nivoa tvrdoće vode – regeneracija se odvija jednom u 6 Eko ciklusa kada je nivo tvrdoće vode podešen na 3.

Proces regeneracije počinje sa poslednjim ispiranjem i završava se u fazi sušenja, pre završetka ciklusa.

- Jedna regeneracija troši: ~3,5 l vode;
- Produžava ciklus za još 5 minuta;
- Troši ispod 0,005 kWh energije

OTKLANJANJE PROBLEMA

Ukoliko vaša mašina za pranje sudova ne radi pravilno, proverite da li je moguće rešiti problem pomoću sledeće liste. Za ostale greške ili probleme obratite se ovlašćenom postprodajnom servisu čije detalje za kontakt možete pronaći u garantnoj knjižici. Rezervni delovi su dostupni u periodu od 7 do 10 godina, u skladu sa posebnim zahtevima odredbe.

PROBLEMI	MOGUĆI UZROCI	REŠENJA
Indikator za so je upaljen	Rezervoar za so je prazan. (Nakon dopune, indikator za so može da ostane upaljen još nekoliko ciklusa pranja).	Dopunite rezervoar solju (više informacija potražite na 2. strani). Prilagođavanje tvrdoće vode – pogledajte tabelu na 2. strani.
Indikator sredstva za ispiranje je upaljen	Rezervoar za sredstvo za ispiranje je prazan. (Nakon dopune, indikator za sredstvo za ispiranje može da ostane upaljen još nekoliko ciklusa pranja).	Dopunite posudu sredstvom za ispiranje (više informacija potražite na 2. strani).
Mašina za pranje sudova neće da se pokrene ili ne reaguje na komande.	Uređaj nije pravilno uključen u strujno napajanje.	Umetnite utikač u utičnicu.
	Nema električne energije.	Iz bezbednosnih razloga, mašina za pranje sudova se neće automatski ponovo pokrenuti kada dođe do povraćaja električne energije. Pritisnite dugme POČETAK/Pauza da biste nastavili ciklus.
	Vrata mašine za pranje sudova nisu zatvorena.	Snažno gurnite vrata dok se ne začuje zvuk „klikanja“
	Ciklus je prekinut otvaranjem vrata na > 4 sekunde.	Zatvorite vrata i pritisnite dugme POČETAK/Pauza.
Voda ne otiče iz mašine za pranje sudova.	Ne reaguje na komande.	Isključite uređaj pritiskom na dugme UKLJUČI/ISKLJUČI , nakon jednog minuta ga ponovo uključite i ponovo pokrenite program. Ukoliko se problem nastavi, izvucite utikač uređaja na 1 minut, a zatim ga ponovo utaknite.
	Ciklus pranja se još nije završio.	Sačekajte da se ciklus pranja završi.
	Crevo za odvod je savijeno.	Proverite da li je crevo za odvod savijeno (<i>videti UPUTSTVA ZA UGRADNJU</i>).
	Odvodna cev sudopere je blokirana.	Očistite odvodnu cev sudopere.
Mašina za pranje sudova proizvodi neobičajnu buku.	Filter je zapušten ostacima hrane	Očistite filter (<i>videti ČIŠĆENJE SKLOPA FILTERA</i>).
	Sudovi udaraju jedan o drugi.	Pravilno poredajte posuđe (<i>videti PUNJENJE KORPI</i>).
Posuđe nije čisto.	Proizvodi se previše pene.	Deterdžent nije pravilno odmeren ili nije pogodan za korišćenje u mašini za pranje sudova (<i>videti PUNJENJE POSUDE ZA DETERDŽENT</i>). Ponovo podesite mašinu za pranje sudova pritiskom na dugme OTICANJE VODE (<i>videti OPCJE I FUNKCIJE</i>) i pokrenite nov program bez deterdženta.
	Posuđe nije pravilno postavljeno.	Pravilno poredajte posuđe (<i>videti PUNJENJE KORPI</i>).
	Prskalice ne mogu slobodno da se okreću, jer ih zaustavlja posuđe.	Pravilno poredajte posuđe (<i>videti PUNJENJE KORPI</i>).
	Ciklus pranja je previše blag.	Izaberite odgovarajući ciklus pranja (<i>videti TABELU SA PROGRAMIMA</i>).
	Proizvodi se previše pene.	Deterdžent nije pravilno odmeren ili nije pogodan za korišćenje u mašini za pranje sudova (<i>videti PUNJENJE POSUDE ZA DETERDŽENT</i>).
	Poklopac na odeljku za sredstvo za ispiranje nije pravilno zatvoren.	Vodite računa da poklopac posude za sredstvo za ispiranje bude zatvoren.
Mašina za pranje sudova ne prima vodu.	Filter je zaprljan ili zapušten.	Očistite sklop filtera (<i>videti ČUVANJE I ODRŽAVANJE</i>).
	Nema soli.	Napunite rezervoar za so (<i>videti PUNJENJE REZERVOARA ZA SO</i>).
	Nema vode u sistemu za dovod vode ili je slavina zatvorena.	Vodite računa da ima vode u sistemu za dovod vode ili da je slavina odvrnuta.
Svi LED-i brzo trepere	Crevo za dovod vode je savijeno.	Vodite računa da crevo za dovod ne bude savijeno (<i>pogledajte odeljak POSTAVLJANJE</i>), ponovo podesite program i pokrenite mašinu za pranje sudova.
	Sito u crevu za dovod vode je zapušeno; neophodno je očistiti ga	Nakon što obavite proveru i čišćenje, isključite i uključite mašinu za pranje sudova i ponovo pokrenite novi program.
Mašina za pranje sudova prerano završava ciklus.	Crevo za odvod je postavljeno prenisko ili odvod sifona ide u sistem kućne kanalizacije	Proverite da li je kraj creva za odvod postavljen na odgovarajućoj visini (<i>pogledajte odeljak POSTAVLJANJE</i>). Proverite da li odvod sifona ide u sistem kućne kanalizacije, po potrebi ugradite ventil za dovod vazduha.
	Vazduh u dovodu vode.	Proverite da li dovod vode curi ili drugi problemi propuštaju vazduh unutra.
Curenje deterdženta.	Zavisi od tečnog deterdženta koji se koristi i može da se pojača u slučaju da se aktivira opcija odlaganja.	Mala curenja neće izazvati kvar mašine i mogu da se spreče zamenom tipa tečnog deterdženta ili upotrebom tableta.

Smernice, standardna dokumentacija, poručivanje rezervnih delova i dodatne informacije o proizvodu se mogu naći putem:

- Pomoću QR koda na vašem uređaju.
- Našeg veb-sajta docs.hotpoint.eu i parts-selfservice.europeanappliances.com
- Takođe, možete **kontaktirati naš postprodajni servis** (broj se nalazi u garantnoj knjižici). Prilikom kontaktiranja našeg postprodajnog servisa, navedite šifru koja se nalazi na pločici za identifikaciju proizvoda.

Informacije o modelu se mogu preuzeti pomoću QR koda navedenog na energetske oznaci. Oznaka uključuje i identifikator modela koji može da se upotrebi za proveru registracije na portalu, na adresi <https://eprel.ec.europa.eu>.

