

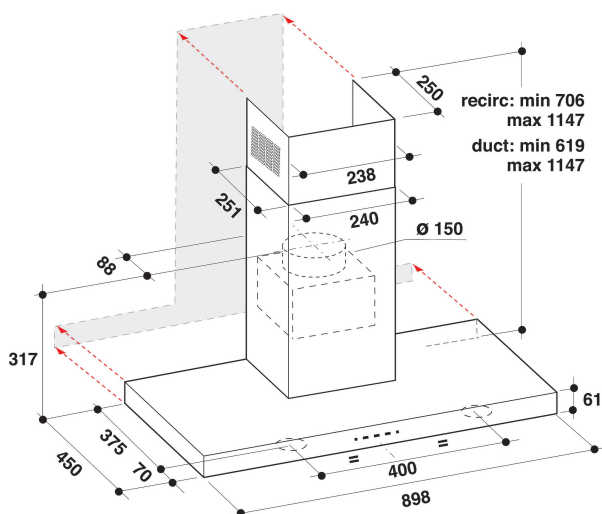
AKR 759 IX

12NC: 857875901000

GTIN (EAN) code: 8003437218255

Whirlpool

SENSING THE DIFFERENCE



MAIN FEATURES

| Product group | SPORÁKOVÉ ODSAVAČE PAR |
|---|----------------------------------|
| Colour body | Nerez |
| Material body | Stainless steel |
| Colour chimney | Nerez |
| Material chimney | Stainless steel |
| Typology | Manual |
| Installation type | Wall-mounted |
| Type of control | Electronic |
| Type of control settings | - |
| Decor panel options | N/A |
| Motor location | Integrated motor in hood chimney |
| Operating Mode | Convertible |
| Electrical connection rating (W) | 280 |
| Current (A) | 1,2 |
| Voltage (V) | 220-240 |
| Frequency (Hz) | 50 |
| Length of Electrical Supply Cord (cm) | 150 |
| Plug type | Schuko |
| Chimney height (mm) | 580 |
| Height of product, without chimney (mm) | 60 |
| Height of the product | 619 |
| Width of the product | 898 |
| Depth of the product | 450 |
| Minimum niche height | 0 |
| Minimum niche width | 0 |
| Niche depth | 0 |
| Net weight (kg) | 19.3 |

TECHNICAL FEATURES

| Type of manual control devices | Touch control |
|---|--------------------|
| Type of automatic control devices | - |
| Number of motors | 1 |
| Total power of the motors (W) | 250 |
| Number of speed settings: boost option availability | 4 |
| Boost presence | Ano |
| Maximum output air extraction (m ³ /h) | 704 |
| Boost position air extraction (m ³ /h) | 704 |
| Maximum output recirculating air (m ³ /h) | 356 |
| Boost position output recirculating (m ³ /h) | 356 |
| Light Control Type | On/Off |
| Number of lights | 2 |
| Type of lamps used | Halogen |
| Total power of the lamps (W) | 20 |
| Diameter of air outlet (mm) | 150 |
| No-return airflow flap | Ano |
| Grease filter material | Washable aluminium |
| Odour filter | Ne |

ENERGETICKÝ ŠTÍTEK

| | |
|---|----|
| Sound power at min. speed (2010/30/EU) | 52 |
| Sound power at max. speed (2010/30/EU) | 69 |
| Noise level with boost position (dB(A) re 1 pW) | 0 |