

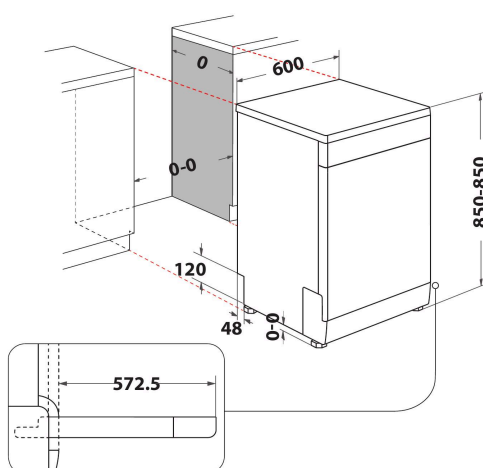
WFE 2B19 UK N

12NC: 859991615800

GTIN (EAN) code: 8003437226243

Whirlpool

SENSING THE DIFFERENCE



- Installation Type: Free-standing
- Energy class A+
- 13 place settings
- Noise level: 49 dB(A)
- 12 L per cycle (3360 L per year)
- Metallic filter
- Start delay 1-8 h
- Adjustable upper rack
- Half load
- Cutlery basket
- Tablet
- Intensive 65°C
- Prewash
- Express
- Hot water connection
- Eco 50°C
- 13 place settings and 5 programs

Whirlpool dishwasher: white color, full size - WFE 2B19 UK N

This Whirlpool Dishwasher features: white color. A+ energy efficiency class. Adjustable feet, for perfect stability on uneven floors and surfaces. Superb cleaning performance, for ideal washing results. Outstanding drying performance, providing excellent results.



Start Delay

Tailored for you. The Start Delay option allows you to set the Dishwasher to begin its cycle whenever most convenient for you, saving you both time and energy.



Tablet option

Tailored for you. Choose the washing method you prefer. The Tablet option allows you to select a cycle specifically designed for tablet detergents, so you can enjoy ideal results, always.



Adjustable feet

Tailored for you. This Whirlpool Dishwasher includes adjustable feet, so you can effortlessly set the height of your appliance to fit your needs.



13 Place Settings

All the space you need. This Whirlpool Dishwasher provides 13 versatile place settings, so you can enjoy all the space you need, always.



Half load option

Resource-efficient. Save resources when your Dishwasher is only half full. The Half load option optimizes water and power consumption when washing a small load, on both racks.



Energy class F

Energy savings are ensured at energy class F.



Hot Water connection

Hot water connection. This Whirlpool Dishwasher allows direct connection to a hot water pipe (maximum 60°).



External water protection

This Whirlpool Dishwasher includes an external water protection feature, integrated in the supply pipe, that protects from water flooding in case of an unexpected malfunction.



Overflow

Passive water protection system which detects leakages in the tub and prevents flooding in the house. In case of rupture of the tub, the water leaks into the lower compartment of the machine where the floating device triggers the fault alarm. Drain pump is activated and the tub is emptied.

WFE 2B19 UK N

12NC: 859991615800

GTIN (EAN) code: 8003437226243

Whirlpool

SENSING THE DIFFERENCE

MAIN FEATURES

| | |
|---------------------------------------|----------------------|
| Construction type | Free-standing |
| Installation type | Free-standing |
| Type of control | Electronic |
| Type of control settings | - |
| Removable work top | Yes |
| Door decor panel | N/A |
| Main colour of product | White |
| Electrical connection rating (W) | 1900 |
| Current (A) | 13 |
| Voltage (V) | 230-240 |
| Frequency (Hz) | 50 |
| Length of Electrical Supply Cord (cm) | 130 |
| Plug type | UK |
| Length inlet hose (cm) | 155 |
| Length outlet hose (cm) | 150 |
| Adjustable plinth | No |
| Height of removable worktop (mm) | 0 |
| Adjustable feet | Yes - all from front |
| Height of the product | 850 |
| Width of the product | 600 |
| Depth of the product | 590 |
| Depth with open door 90 degree (mm) | - |
| Minimum niche height | 820 |
| Maximum niche height | 900 |
| Minimum niche width | 0 |
| Maximum niche width | 600 |
| Niche depth | 590 |
| Net weight (kg) | 43.1 |
| Gross weight (kg) | 44.9 |

TECHNICAL FEATURES

| | |
|---|------------|
| Automatic programmes | No |
| Maximum temperature for water intake (°C) | 60 |
| Start delay options | Continuous |
| Start delay time max. (h) | 8 |
| Progress indicator | - |
| Digital countdown indicator | No |
| Salt light indicator | Yes |
| Rinse aid light indicator | Yes |
| Safety device | N/A |
| Adjustable upper basket | Yes |
| Largest loadable dish upper basket (cm) | 0 |
| Largest loadable dish lower basket (cm) | 0 |
| Number of place settings | 13 |

PERFORMANCES

| | |
|--|------|
| Energy efficiency class - NEW (2010/30/EU) | A+ |
| Energy consumption annual (kWh/annum) - NEW (2010/30/EU) | 296 |
| Duration of the left-on mode - NEW (2010/30/EU) | 12 |
| Power consumption in left-on mode - NEW (2010/30/EU) | 6 |
| Power consumption in off-mode - NEW (2010/30/EU) | 0.5 |
| Water consumption annual (l/annum) - NEW (2010/30/EU) | 3360 |
| Noise level (dB(A) re 1 pW) | 49 |

ENERGIA - ЕНЕРГИЈА - ΕΝΕΡΓΕΙΑ
ENERGIJA - ENERGIY - ENERGIJE
ENERGI

WHIRLPOOL
WFE 2B19 UK N

A⁺

296
kWh/annum

3360
L/annum

X 13

49
dB

2010/1059