

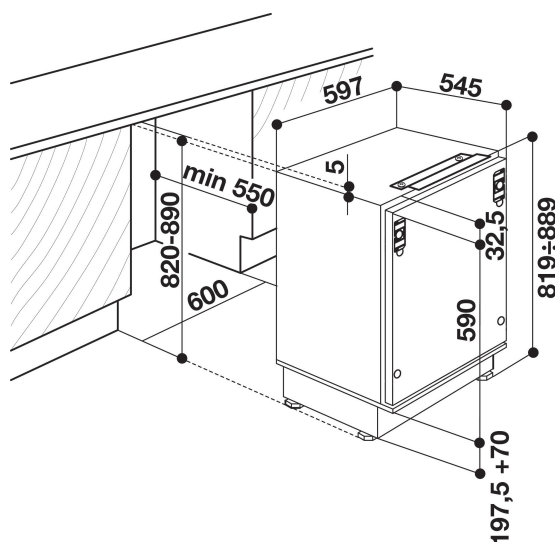
ARG 146/A+/LA

12NC: 859991013570

GTIN (EAN) code: 8003437041501

Whirlpool

SENSING THE DIFFERENCE



- Energy class: A+
- Total net capacity: 146 l
- Product dimensions (HxWxD): 819x597x545 mm
- Reversible door
- Noise level: 37 dB(A)
- Temperature adjustable
- Cooling System for Fridge Compartment: Static
- 3 adjustable balconies
- LED bulb lighting
- 2 drawers
- 4 shelves in fridge compartment
- Mechanical controls
- Annual energy consumption 118 kWh/annum
- Total gross capacity: 148 l
- White Finishing
- Niche dimensions (HxWxD): 820 x 600 x 550 mm
- Right reversible door

Whirlpool integrated fridge: white color - ARG 146/A+/LA

This Whirlpool integrated Fridge features: dedicated bottle balcony. Under counter fridge.



Auto Defrost

Effortless defrosting. Auto Defrost technology efficiently removes the build-up of ice in the fridge.



LED lighting

Perfect illumination. Energy-efficient LEDs spread light evenly throughout the refrigerator cavity, making it easier to find what you're looking for.



SETMO

Perfect design integration. The SETMO door-to-door mounting system covers your built-in refrigerator, providing total design integration with the rest of your kitchen.



115 - 185 l capacity

All the space you need. This Whirlpool Refrigerator is designed to provide all the space you need to comfortably store your food and drinks.



Energy class A+

Greater energy efficiency. With its A+ energy rating, this Whirlpool appliance will allow you to enjoy both ideal performance and excellent energy consumption.



Glass shelves

A passion for beauty in every detail. This Whirlpool Refrigerator includes toughened glass shelves with lipped edges that prevent spills, designed to combine beauty and functionality, and providing you the most fulfilling user experience imaginable.



Space Management

All the space you need. This Whirlpool Refrigerator's innovative design provides all the space and flexibility you need to comfortably and easily store your food and drink.



Reversible Door

For your convenience. This Whirlpool Refrigerator features a reversible door, that can be opened from left or right, for your convenience.



Bottle balcony

Safe storage. This Whirlpool Refrigerator provides perfect storage for your bottles, with its dedicated bottle balcony.



Undercounter Appliance

Undercounter. Thanks to its small size (height up to 85 cm) and removable top cover, you can fit the appliance under the kitchen counter.

ARG 146/A+/LA

12NC: 859991013570

GTIN (EAN) code: 8003437041501

Whirlpool

SENSING THE DIFFERENCE

MAIN FEATURES

Product group	Refrigerator
Commercial code	ARG 146/A+/LA
GTIN (EAN) code	8003437041501
Construction type	Built-in
Installation type	Built-under
Type of control	Mechanical
Type of control settings	Mechanic
Main colour of product	White
Electrical connection rating (W)	100
Current (A)	13
Voltage (V)	220-240
Frequency (Hz)	50
Length of Electrical Supply Cord (cm)	200
Plug type	UK
Total unit net capacity (l)	146
Star Rating	Automatic
Number of independent cooling systems	1
Height of the product	819
Width of the product	597
Depth of the product	545
Depth with open door 90 degree (mm)	-
Maximum adjustability feet	70
Net weight (kg)	32
Door hinge	Right reversible

TECHNICAL FEATURES

Temperature adjustable	Yes
Warning signal / Malfunction	No signal
Defrost process fridge section	Automatic
Fast cooling possibility	No
Interior ventilator fridge section	No
Shelves for Bottles	No
Lockable door	-
Number of shelves in fridge compartment	4
Number of Adjustable Shelves in fridge compartment	3
Material of the shelves	Glass
Thermometer fridge section	None

PERFORMANCES

Energy efficiency class - NEW (2010/30/EU)	A+
Energy consumption annual (kWh/annum) - NEW (2010/30/EU)	118
Refrigerator Net capacity (l) - NEW (2010/30/EU)	144
Freezer Net capacity (l) - NEW (2010/30/EU)	0
Freezing capacity (kg/24h) - NEW (2010/30/EU)	0
Temperature rise time (h)	0
Climate class	SN-ST
Noise level (dB(A) re 1 pW)	37
Frost free system	No
Maximum ambient temperature	0
Minimum ambient temperature	0

ENERG Y IJA
енергия · ενεργεια
IE IA

WHIRLPOOL
ARG 146/A+/LA

A+++
A++
A+
A
B
C
D

A+

ENERGIA - ЕНЕРГИЯ
ENERGIA - ENERGIJA
ENERGY - ENERGIE - ENERGI

118
kWh/annum

144 L
0 L
37 dB

2010/1060