



THANK YOU FOR BUYING A WHIRLPOOL PRODUCT.
In order to receive a more complete assistance, please register your product on www.whirlpool.eu/register



Before using the appliance carefully read the Safety Instruction.



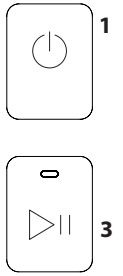
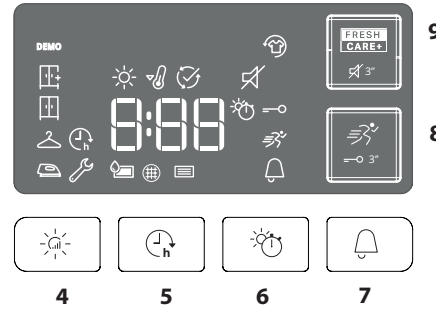
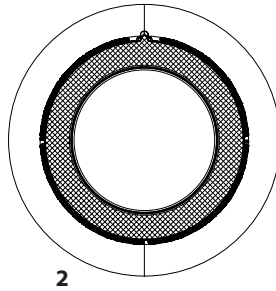
PLEASE SCAN THE QR CODE ON YOUR APPLIANCE IN ORDER TO REACH MORE INFORMATION.

CONTROL PANEL

- 1 ON/OFF button (hold for Reset)
- 2 Programme selection Knob
- 3 Start/Pause

Options buttons*

- 4 Dryness level
- 5 Start delay
- 6 Timed drying
- 7 Cycle end
- 8 Rapid (hold for Key lock)
- 9 FreshCare+ (hold for Mute)



*Note: some models may have the wording in full instead of the icons.

INDICATORS

Dryness level: Iron dry - Hanger dry - Cupboard dry - Extra dry

Cycle phase: Drying - Cool down - End of cycle.

Empty water tank - **Clean door filter** - **Clean bottom filter** -

Refer to troubleshooting section: **Failure:** Call after sales service

FIRST TIME USE

Make sure that the water tank is correctly inserted. Make sure that the drain hose on the back of the dryer is fixed correctly, either to the dryer's water tank, or to your domestic drainage system.

The dryer must be installed in a room with a temperature ranging between 5°C and 35°C to ensure proper operation. Before you use your dryer ensure that it has been in a upright position for at least 6 hours.

DAILY USE

Doing this will keep your machine working at its BEST:

- remember to empty your water tank after each drying cycle.

- remember to clean your filters after each drying cycle.

Refer to the Care & Maintenance section.

1. Plug the dryer into the power supply socket.
2. Open the door and load garments; always refer to instructions on clothing labels and the max loads indicated in the programme section. Empty pockets. Make sure garments do not get caught between the door and/or the door filter. Do not load items that are dripping wet. Do not tumble dry large, very bulky items. For optimal drying result, garments should be loaded one by one.
3. Close the door.
4. Press the "On/Off" button.
5. Select the most suitable programme for the type of fabric in that load.
6. Select the options, if necessary.
7. Press the "Start/Pause" button to begin drying.
8. At the end of the drying cycle, a buzzer will beep. An indicator on the control panel signals the end of the cycle. Turn the machine off by pressing the "On/Off" button, open the door and pull the clothing immediately out to prevent the formation of creases on laundry.

If the machine is not switched off manually, after about a quarter of an hour from the end of the cycle, the appliance turns off automatically to save energy.

Note that some models perform a final cool tumble phase, for this reason the fabrics may not feel hot.

In case of power failure, it is necessary to press the "Start/Pause" button to restart the cycle.

Opening the door during the cycle

The tumble dryer door can be opened at any time during the cycle to check progress and remove any garments already dry.

However, since opening the door can extend the drying time, the recommendation is to keep the door closed throughout the cycle process to save time and energy.

After closing the door, press the "Start/Pause" button within 15 minutes to resume the machine operation.

CARE LABEL

Always check the care labels, especially when placing garments in the tumble dryer for the first time. Below are the most commonly used symbols:

- May be tumble dried.
- Do not tumble dry.
- Tumble dry – high heat.
- Tumble dry – low heat.



PROGRAMS

The duration of these programs will depend on the size of the load, types of textiles, the spin speed used in your washer and any extra options selected. **In machines equipped with display, the duration of the cycles is shown on the control panel.** The remaining time is constantly checked and adjusted during the drying cycle to show the best possible estimate.

Option to use - If all your loads on Automatic Cycles are consistently less dry or more dry than you would like, you may increase or decrease the dryness level using the specific option.

Eco **kg Max***

This is the most efficient programme in terms of energy consumption and is suitable for drying normal wet cotton laundry. The values on the Energy Label are based on this programme.

NOTE: For optimal energy efficiency this cycle by default is set up to "Cupboard Dry" level. For a higher dryness level we suggest using the Cotton cycle.

Cotton **kg Max***

Cycle suitable for drying all types of cotton, ready to be placed in the cupboard.

Mixed **kg 4**

This programme is ideal for drying cotton and synthetic fabrics together.

Bed linen **kg Max***

This programme is intended for drying cotton sheets.

Duvet

Programme intended to dry bulky items, such as a single duvet.

Shirts **kg 3**

This is a programme for Shirts made from cotton or cotton blend/synthetics.

Jeans **kg 3**

For drying sturdy cotton including denim trousers and jackets.

Easy ironing

This cycle relaxes fibres, thus making ironing and folding easier. Suitable for small load of damp or dry cotton and cotton blend fabrics. Not for wet items.

Refresh

A short programme suitable for refreshing fibres and garments through the emission of fresh air. Do not use on wet items. It can be used on with any load size but is more effective with small loads. It lasts about 20 minutes.

Rapid 30' **kg 0.5**

Ideal for drying cotton garments spun at high speed in the washing machine.

Sport **kg 4**

For drying synthetics or cotton sports garments.

Silk **kg 0.5**

Gentle drying of silk garments.

Wool **kg 1**

Programme for drying wool clothes. It is advisable to turn the items inside out before drying. If heavy edges remain damp, leave them to dry naturally.

Delicates **kg 2**

For drying delicate laundry requiring gentle treatment.

Synthetics **kg 4**

For drying synthetic fabrics.


***MAX LOAD 8 Kg (Dry load)**


OPTIONS

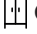
These buttons allow you to personalise the selected programme according to personal requirements. Not all options are available for all programmes. Some options may be incompatible with ones you have previously set; if so, you will be alerted by the buzzer and/or blinking indicators. If the option is available, the option indicator will stay on. The programme may retain some options selected in previous drying cycles.


Dryness level

Press the related button several times to obtain a different level of residual moisture on garments. An indicator signals the level being selected.

 **Iron dry:** very delicate drying. Items will be more easily ironed immediately after the cycle.

 **Hanger dry:** a level intended for delicate garments ready to be hanged.

 **Cupboard dry:** the laundry is ready to be folded and put away.

 **Extra dry:** for laundry intended to be worn at the end of the cycle.

Timed drying

This option is to manually set the drying time. Press the corresponding button to set the required time for drying. An indicator on the control panel signals the time being selected.

Start delay

This option is for delaying the start of the cycle. Press the corresponding button several times to find the required delay. Once the max time is reached, the option is reset by pressing the button again. An indicator on the control panel signals the time being selected. After pressing the "Start/Pause" button, the machine signals the time remaining to the start of the cycle. If the door is opened, press the "Start/Pause" button once the door has been closed.

Rapid

Enables quicker drying.

FreshCare+

If laundry is left inside of the drum once the cycle has ended, it can be subjected to bacterial proliferation. This option helps to prevent this from happening by controlling the temperature and gently rotating the drum. This will continue for up to 6 hours after the end of the cycle. This setting will remain in the memory of the previous cycle. If this is used alongside Start Delay, a crease treatment will be performed during this phase by periodic rotations of the drum.

Key lock

This option makes all machine controls inaccessible, except the "On/Off" button. When the machine is on:

- to activate the option, keep the button pressed until the machine signals that the option has been enabled.
- to disable the option, keep the button pressed until the machine signals that the option has been disabled.

This option remains in memory if selected in previous drying.

Cycle end

This option activates a prolonged buzzer at the end of the cycle. Enable it if you are not sure to hear the normal sound at the end of the cycle. This option remains in memory if selected in the previous drying.

Mute

This option turns off all sounds of control panel. Only warnings remain active.

- to activate the option, keep the button pressed until the indicator goes on.
- to disable the option, keep the button pressed until the indicator goes off.

CARE AND MAINTENANCE

WARNING: unplug the dryer during the cleaning and maintenance procedures.

 **Emptying the water tank after each cycle (see Fig. A).**

Pull the container out of the dryer and empty it into a sink or other suitable drain, then place it back properly. Do not use the dryer without having inserted the container back in place.

 **Cleaning the door filter after each cycle (see Fig. B).**

Pull the filter out and clean it by removing the lint from the filter surface under running water or using a vacuum cleaner. For optimal performance, dry up the filter before inserting it back in place.

Do not use the dryer without having reinserted the filter in place.

Remove the door filter as described below:

1. Open the door and pull the filter upwards.
2. Open the filter and remove the lint from all its parts. Replace the filter correctly making sure it is fully seated.

 **Cleaning the bottom filter when the relevant indicator turns on (see Fig. C).**

Pull the filter out and remove the lint from its surface by washing it under running water or by using a vacuum cleaner.

However, it is advisable to clean this filter after each cycle to optimise drying performance.

Do not use the dryer without having reinserted the filter in place.

Remove the bottom filter as described below:

C1. Open the bottom cover; take the handle and pull the filter out.

C2. Open the rear side of the filter and remove the lint from the inner surface of the mesh.

C3/C4. Check the bottom filter chamber every month. If you see residual lint accumulated on the metal fins, clean it with a vacuum cleaner, using a nozzle with a brush.

It's crucial to do vertical movements, you may destroy the component if you try to clean it in horizontal direction. Avoid the direct contact of the hand with the fins - risk of cut.

C5. Close the rear side of the filter and place it back by checking it is perfectly integrated into its seat, then lower the filter handle.

C6. Close the bottom cover.

Make sure the air intake is free.

The filters are essential parts for drying. They are intended to collect the lint formed during the drying process. In case of clogged filters, the air flow inside the dryer would be seriously affected: the drying times would be longer, the energy consumption would increase and the dryer could be damaged. If these procedures are not carried out properly, the dryer may not start.

NOTE: After cleaning the filters the relevant indicator remains on; this is normal, it will disappear when you start a new drying cycle.



Cleaning the tumble dryer

- The external metal, plastic and rubber parts can be cleaned with a damp cloth.
- Clean the front air intake grille regularly (every 6 months) with a vacuum cleaner to remove any lint, fluff or dust deposits. Furthermore, remove any lint deposits from the filters area, using a vacuum cleaner every so often.
- Do not use solvents or abrasives.

TRANSPORT AND HANDLING

Never lift the dryer by holding it at the worktop.

1. Unplug the dryer.
2. Remove the water from the water tank completely.
3. Make sure that door and water tank are properly closed.
4. If the drain hose is connected to your drainage system, re-connect it to the back of the dryer (see "Installation" section in the Safety Instruction guide).

Power consumption			
off-mode (Po) - Watts			0.50
left-on mode (Pl) - Watts			2.00
Programs	Kg	kWh	Minutes
Eco * 	8	1.42	165
Eco 	4	0.78	96
Synthetics	4	0.94	113

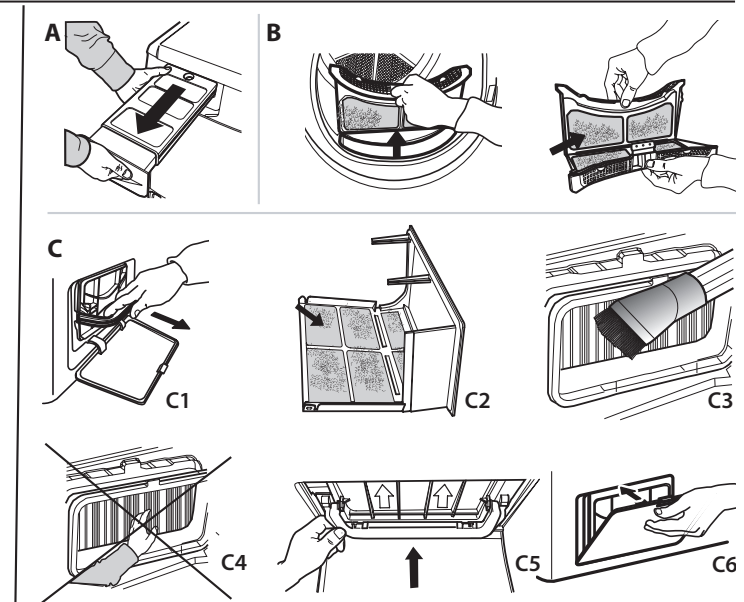
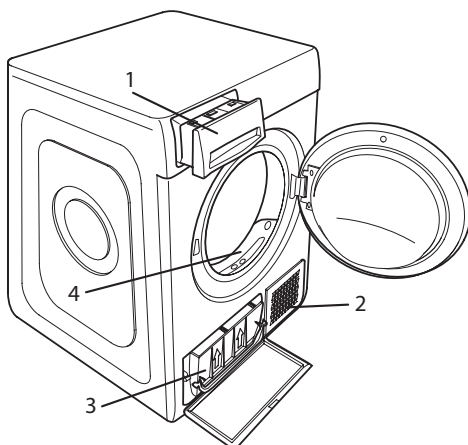
*This is the reference programme for the energy label and suitable to dry normal wet cotton laundry. This is the most efficient programme in terms of energy consumption for drying wet cotton laundry. (Standard/Default starting configuration).

Heat Pump System

The heat pump contains fluorinated greenhouse gases, contained in a hermetically sealed unit. This sealed unit contains 0.43 kg of the R134a gas. GWP = 1430 (1 t CO₂).

PRODUCT DESCRIPTION

1. Water Tank
2. Air Intake
3. Bottom filter
4. Door filter



TROUBLESHOOTING

EN

Before contacting the After-sales Service, refer to the table below. Often the malfunctions are minor and can be solved in few minutes.

Malfunction	Possible cause	Solution
The drying times are very long.	An appropriate maintenance was not carried out.	Refer to the Cleaning & Maintenance section and perform the operations described.
	The garments are too wet.	Carry out a washing cycle with higher spin speed to remove as much water as possible.
	Room temperature.	The drying time may be longer if the room temperature falls outside the 14–30°C range.
	The programme, the time and/or the drying level set are not suitable for the type and the amount of load inserted into the dryer.	Refer to Programmes and Options sections to find the programme and options most suitable for the type of load.
	The dryer may be overloaded.	Refer to the Programmes section to check the max load for each programme.
The tumble dryer does not turn on.	The "On/Off" button was not pressed.	Press the "On/Off" button.
	The plug is not inserted into the socket.	Insert the plug into the socket.
	The socket is faulty.	Try to plug another appliance in the same socket. Do not use connecting electrical devices to the socket, such as adapters or extensions.
	A power failure occurred.	Wait for the power supply to be restored and switch the fuse on again if necessary.
The tumble dryer does not start.	The door has not been closed properly.	Close the door.
	A time delay was set to the start of the cycle.	For machines equipped with this function: wait for the set delay to end or switch the machine off to reset it. Refer to the Options section.
	The "Start/Pause" button was not pressed.	Press the "Start/Pause" button.
	The Key Lock function was enabled (for machines equipped with this option).	If Key Lock was selected, disable it. Switching the machine off will not disable this option. Refer to the Options section.
Garments are wet at cycle completion.	Small load.	The automatic programme has not sensed the required final moisture so that the dryer completes the programme and stops. If this happens simply select an additional short period of drying or select Extra Dry option if available.
	Large loads or heavier fabrics.	Dryness levels can be modified to the specific dryness desired. Extra Dry is recommended for ready to wear items.
	The drying cycle was paused and then not reactivated within 15 minutes, causing the machine to shut down.	The drying cycle has to be set up once more and restarted.
	A power failure might have occurred, causing the machine to shut down.	The drying cycle has to be set up once more and restarted.
Lights on or flashing		
Water tank	The water tank is full.	Empty the water tank. Refer to the Cleaning & Maintenance section.
Door filter	Failure of the air flow necessary for machine operation.	Clean the door filter and check whether air intake is free. Carrying out these operations improperly may cause damages. Refer to Cleaning & Maintenance section.
Bottom filter*	The bottom filter requires cleaning.	Clean the bottom filter. Refer to Cleaning & Maintenance section.
The presence of wrench symbol signals a malfunction.	The machine sensors detected a failure.	Switch the dryer off and unplug it. Open the door immediately and pull laundry out, to allow the heat to dissipate. Wait for about 15 minutes. Reconnect the dryer to the power supply, load the laundry and restart the drying cycle. If the problem still occurs, contact the After-Sales Service Centre and communicate the letters and digits flashing on the display. For instance: F3 and E2.

*Note: some models are auto-cleaning and not equipped with bottom filter. Please refer to the Cleaning & Maintenance section.

Policies, standard documentation, ordering of spare parts and additional product information can be found by:

- Using QR code in your appliance
- Visiting our website docs.whirlpool.eu and parts-selfservice.whirlpool.com
- Alternatively, **contact our After-sales Service** (See phone number in the warranty booklet). When contacting our After-sales Service, please state the codes provided on your product's identification plate.



Whirlpool



БЛАГОДАРИМ ВИ, ЧЕ ЗАКУПИХТЕ ПРОДУКТ НА WHIRLPOOL.
За да получавате по-пълно съдействие,
регистрайте Вашия уред на
www.whirlpool.eu/register



Преди да използвате уреда, прочетете внимателно инструкциите за безопасност.



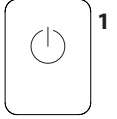
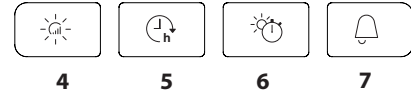
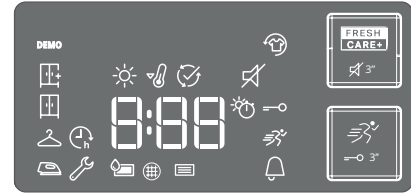
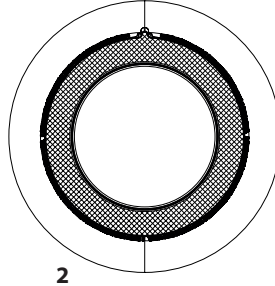
ЗА ПОЛУЧАВАНЕ НА ПО-ПОДРОБНА ИНФОРМАЦИЯ, МОЛЯ, СКАНИРАЙТЕ QR КОДА НА ВАШИЯ УРЕД.

КОНТРОЛЕН ПАНЕЛ

- 1 Бутон Включ./Изключ. (Нулиране, ако се натисне и задържи)
- 2 Бутон за избор програми
- 3 Старт/Пауза

Клавиши Опции*

- 4 Степен изсуш.
- 5 Отложен старт
- 6 Време за сушене
- 7 Край на програмата
- 8 Кратка (Заклучване ако се натисне и задържи)
- 9 FreshCare+ (Безшумно ако се натисне и задържи)



*Забележка: някои модели може да имат разширена формулировка вместо икони.

ИНДИКАТОРИ

Степен изсуш.: ☀️ за гладене - 👕 За закачалка - 🚪 За гардероб - 🏠 Екстра сухо

Фази на цикъла: ☀️ Сушене - 🌡️ Охлаждане - 🏠 Край на прог

🚪 Изпразнете резервоара за вода - 🧼 Почистете филтъра на вратичката - 📄 Почистете долния филтър

Вижте раздела за отстраняване на неизправности: 🛠️ **Повреда:** Обадете се на Обслужващия сервиз

УПОТРЕБА ЗА ПРЪВ ПЪТ

Уверете се че водният резервоар е поставен правилно. Уверете се че маркучът за източване от задната страна на сушилнята е закрепен правилно към водния резервоар на сушилнята или към домашната Ви система канализационни отпадъци.

Сушилнята трябва да бъде монтирана в помещение с температурен диапазон между 5° C и 35° C, за да се гарантира правилното функциониране.

Предупреждение! Преди да използвате сушилнята, трябва да я оставите в изправено положение поне 6 часа.

ВСЕКИДНЕВНА УПОТРЕБА

Вашата машина ще работи НАЙ-ДОБРЕ, ако спазвате следните съвети:

- **запомнете да изпразвате вашия резервоар за вода след всеки цикъл на сушене.**
- **запомнете да почиствате филтрите си след всеки цикъл на сушене.**

Обърнете се към раздел Грижи и поддръжка.

1. Вкарайте изсушителя в електрически контакт.
2. Отворете вратата и заредете дрехите; винаги се обръщайте към инструкциите върху етикетите на дрехите и макс. тегла, указани в раздела с програми. Изпразнете джобовете. Уверете се, че дрехите не се улавят между вратата и/или филтъра на вратата. Не зареждайте дрехи, които са много мокри. Не сушете големи, много обемисти дрехи. За оптимален резултат от сушенето дрехите трябва да се зареждат една по една.
3. Затворете вратата.
4. Натиснете бутона "Вкл/Изкл".
5. Изберете най-подходящата програма за типа тъкани в това зареждане.
6. Изберете опциите, ако е нужно.
7. Натиснете бутона "Старт/Пауза" за започване на сушенето.
8. В края на цикъла на сушене ще прозвучи зумер. Индикатор върху контролния панел сигнализира за края на цикъла. Изкл машината чрез натискане на бутона "Вкл/Изкл", отворете капака и изтеглете дрехите незабавно, за да предотвратите формиране на намачквания по прането.

Ако машината не се изключи ръчно, след около четвърт час след края на цикъла, устройството се изключва автоматично за пестене на енергия.

Обърнете внимание, че някои модели изпълняват финална фаза на охлаждане, поради което тъканите може да не се усещат горещи.

В случай на спиране на тока е необходимо да натиснете бутона "Старт/Пауза" за рестартиране на цикъла.

отваряне на вратичката по време на цикъл

Вратата на барабанната сушилня може да се отвори по всяко време на цикъла, за да се провери напредъкът и да се извадят вече изсъхналите дрехи.

Въпреки това, тъй като отварянето на вратата може да удължи времето за сушене, препоръката е вратата да се държи затворена по време на целия цикъл, за да се пести време и енергия.

След като затворите вратата, натиснете бутона „Старт/Пауза“ в рамките на 15 минути, за да възобновите работата на машината.

ЕТИКЕТИ С УКАЗАНИЯ ЗА НАЧИНА НА ПРАНЕ

Преглеждайте етикетите на дрехите си особено когато ги сушите за първи път. Следните символи са най-често срещани:

- ☐ Подходящо за сушилня.
- ☒ Да не се суши в сушилня.
- ☀️ Да се суши при висока степен на нагряване.
- ☁️ Да се суши при ниска степен на нагряване.



ПРОГРАМИ

Продължителността на тези програми зависи от количеството, от типа на тъканите, скоростта на центрофугата, използвана в пералната машина, и от други допълнително избрани опции.

В моделите с дисплей, на контролния панел се показва продължителността на циклите. Оставащото време е постоянно наблюдавано и модифицирано по време на цикъла на сушене, за да се покаже възможно най-добрата оценка. Възможност, която можете да използвате - ако всичкото Ви пране на автоматичните цикли е постоянно не толкова сухо или по-сухо, отколкото бихте желали, можете да увеличите или намалите степента на изсушаване с помощта на специфичната възможност.



Еко

Макс. Тегло*

Стандартна програма за памук, подходяща за сушене на нормално влажно памучно пране. Най-ефикасната програма по отношение на потребление на енергия за сушене на памучно пране. Стойностите на енергийния етикет са въз основа на тази програма.

ЗАБЕЛЕЖКА: За оптимална енергийна ефективност този цикъл по подразбиране се задава на ниво "За гардероб". За по-високо ниво на изсушаване препоръчваме да използвате цикъла Памук.



Памучни

Макс. Тегло*

Цикъл, подходящ за сушене на всички видове памук, готови за поставяне в шкафа.



Микс

kg 4

Тази програма е идеална за сушене заедно на памучни и синтетични тъкани.



Спално бельо

Макс. Тегло*

За сушене на спално бельо от памук.



Олекотени завивки

За сушене на обемни дрехи, като единични пухени завивки.



Ризи

kg 3

Тази програма е подходяща на ризи от памук или смес от памук и синтетика.



Дънки

kg 3

За сушене на дънки и дънкови, устойчиви памучни дрехи, като панталони и якета.



Лесно гладене

Този цикъл облекчава влакната, като така прави сгъването и гладенето по-лесни. Подходящ за малки товари с пара или сух памук и памучни смеси. Не използвайте при още мокри дрехи.



Освежаване

Кратка програма, подходяща за освежаване на тъкани и облекла чрез вкаран чист въздух. Не използвайте с дрехи, които са още мокри. Може да се използва при всякакъв размер на товара, но е по-ефективен при малки товари. Цикълът отнема около 20 минути.



Бързо 30'

kg 0.5

За сушене на памучни облекла, центрофугирани на високи обороти в пералнята.



Спортни

kg 4

За сушене на спортни дрехи, синтетични или от смесен памук.



Коприна

kg 0.5

Деликатно сушене на копринени тъкани.



Вълна

kg 1

За сушене на вълнени дрехи. Препоръчително е дрехите да се обръщат преди сушене. Оставете по-дебелите ръбове, които са все още влажни, да изсъхнат естествено.



Деликатни

kg 2

За сушене на деликатни изделия, които трябва да се обработват внимателно.



Синтетични

kg 4

За сушене на пране от изкуствени влакна.

***МАКС. ТЕГЛО 8 Kg (Сух товар)**

ОПЦИИ

Тези бутони ви позволяват да персонализирате избраната програма според персоналните изисквания. Не всички опции са налични за всички програми. Някои опции могат да са несъвместими с тези, които сте настроили преди това; ако е така, ще бъдете предупредени от зумера и/или мигащите индикатори. Ако опцията е налична, индикаторът за опция ще остане включен. Програмата може да запази някои избрани опции в предишни цикли на сушене.



Степен изсуш.

натиснете няколкократно съответния бутон, за да получите различна степен на остатъчната влажност на прането. Индикатор показва степента, която избирате.



За гладене: много деликатно сушене. Дрехите ще се гладят по-лесно веднага след цикъла.



За закачалка: ниво, предназначено за деликатни дрехи; готови за закачане.



За гардероб: прането е готово за сгъване и прибиране в гардероба.



Идеално сухи: използва се за дрехи, готови за обличане след края на цикъла.



Време за сушене

Тази опция Ви позволява да изберете продължителността на сушенето. Натиснете няколко пъти съответния бутон, за да настроите желаното време за сушене. Индикатор на контролния панел показва избраното време.



Отложен старт

Тази опция ви позволява да зададете по-късно началото на програмата.

Няколкократно натиснете съответния бутон, за да получите желаното закъснение. След достигане на максималното време за избор, натискането на бутона отново, задава опцията. Индикатор на контролния панел показва времето, което избирате. След натискане на бутона за старт/пауза: машината сигнализира за оставащото време до стартиране на цикъла. Ако вратата се отвори след затваряне, бутонът за старт/пауза трябва да бъде натиснат отново.



Кратка

Позволява по-бързо сушене.



FreshCare+

Ако прането остане в барабана след завършване на цикъла, то може да се подложи на бактериално замърсяване. Тази опция помага за предотвратяване на това при контролиране на температурата и внимателно въртене на барабана. Това ще продължи за до 6 часа след края на цикъла. Тази настройка ще остане в паметта на предишния цикъл. Ако това се използва заедно със Забавен старт, третиране срещу намачкане ще се извърши по време на тази фаза чрез периодични въртенета на барабана.



Заклучване

Тази опция прави всички командни механизми на машината недостъпни, с изключение на бутона "Включване/Изключване".

При включена машина:

- еза да активирате опцията, задръжте бутона натиснат, докато машината не сигнализира, че опцията е активирана.
- за да деактивирате опцията, задръжте бутона натиснат, докато машината не сигнализира, че опцията е деактивирана. Тази опция, ако е избрана при предишното сушене, остава в паметта.



Край на програмата

Тази опция активира един удължен звуков сигнал в края на програмата. Активирайте я, ако не сте сигурни, че чувате нормалния звук за края на програмата. Тази опция, ако е избрана при предишното сушене, остава в паметта.




Безшумно

Тази опция позволява да се изключат звуковите сигнали на контролния панел. Алармите за неизправност остават активни:

- за да активирате опцията, задръжте бутона натиснат, докато съответният индикатор светне.
- за да деактивирате опцията, задръжте бутона натиснат, докато съответният индикатор изгасне.

ПОЧИСТВАНЕ И ПОДДРЪЖКА

ПРЕДУПРЕЖДЕНИЕ: откачете сушилнята по време на процедурата по почистване и поддръжка.

 Изпразване на резервоара за събиране на вода след всеки цикъл (виж фигура А).

Извадете резервоара за събиране на вода от сушилнята и го изпразнете в мивка или друг канал, след което го поставете отново правилно. Не използвайте сушилнята, преди да поставите отново контейнера на място.


 Почистване на филтъра на вратите след всеки цикъл (виж фигура Б).

Извадете филтъра и го почистете, като отстраните остатъците от мъх от повърхността на филтъра, измийте го под течаща вода или го отстранете с прахосмукачка. За оптимална работа изсушете всички филтри, преди да ги поставите отново.

Не използвайте сушилнята, преди да поставите филтъра на място.

Как да премахнете филтъра на вратичката:

1. Отворете вратичката и издърпайте филтъра нагоре
2. Отворете филтъра и почистете всичките му части от мъх. Поставете го отново правилно; уверете се, че филтърът е напълно изравнен с уплътнението на сушилнята.

 Почистване на долния филтър, когато съответният индикатор е включен (виж фигура С).

Извадете филтъра и го почистете, като отстраните остатъците от мъх от повърхността на филтъра, като го измиете под течаща вода или го почистете с прахосмукачка. Препоръчва се обаче филтърът да се почисти след всеки цикъл, за да се оптимизира качеството на сушенето. **Не използвайте сушилнята, преди да поставите филтъра на място.**

Как да премахнете долния филтър:

- C1. Отворете долния капак; Хванете дръжката и издърпайте филтъра.
 - C2. Отворете задната стена на филтъра и отстранете мъх от вътрешността на мрежичката.
 - C3/C4. Проверявайте долната филтърна камера всеки месец. Ако по металните ребра се натрупат остатъци от мъх, почистете ги с прахосмукачка, като използвате крайник с четка.
- Изключително важно е да се извършват вертикални движения, защото ако се опитате да почистите компонента в хоризонтална посока, може да го унищожите. Избягвайте директния контакт на ръката с перките – има опасност от порязване.
- C5. Затворете задната страна на филтъра и го поставете обратно, като проверите дали е идеално поставен на мястото си, след което спуснете дръжката на филтъра.
 - C6. Затворете долния капак.
- Уверете се, че отвора за въздуха е свободен.

Филтрите са основни компоненти на сушенето. Тяхната

функция е да събират мъх, който се образува по време на сушенето. Ако филтрите се запушат, въздушният поток вътре в сушилнята ще бъде сериозно нарушен: времето за изсушаване се удължава, консумира се повече енергия и може да настъпи повреда в сушилнята. Ако тези операции не се извършват правилно, сушилнята може да не стартира.

ЗАБЕЛЕЖКА: След почистване на филтрите съответният индикатор остава включен; това е нормално и ще изчезне, когато започнете нов цикъл на сушене.



Почистване на сушилнята

- Външните метални, пластмасови и гумени части могат да се почистват с влажен парцал.
- Почиствайте редовно предната въздушна решетка (на всеки 6 месеца) с прахосмукачка за отстраняване на влакна, власинки или прах. Допълнително отстранявайте влакната от зоните на филтъра с прахосмукачка от време на време.
- Не използвайте разтворители или абразиви.

ТРАНСПОРТИРАНЕ И БОРАВЕНЕ

Никога не повдигайте сушилнята чрез хващане за горната страна.

1. Откачете сушилнята.
2. Изкарайте напълно водата от резервоара за вода.
3. Проверете дали вратичката и резервоарът за вода са добре затворени.
4. Ако маркучът за източване е свързан с канализационната система, закрепете го от задната страна на сушилнята отново (вж. Ръководството за монтаж).

Разход на електроенергия			
Начин: изключена (Po) - Watt		0.50	
Начин: оставена включена (PI) - Watt		2.00	
Програми	Kg	kWh	Минуты
Еко* 	8	1.42	165
Еко 	4	0.78	96
Синтетични	4	0.94	113

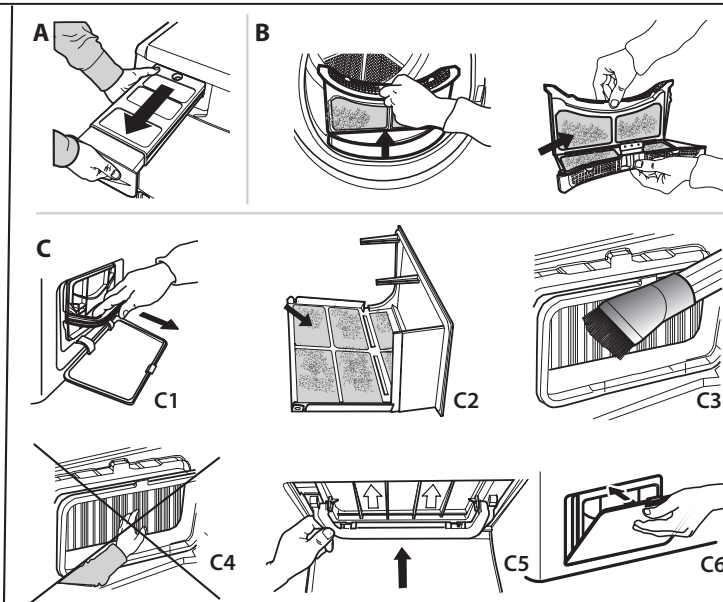
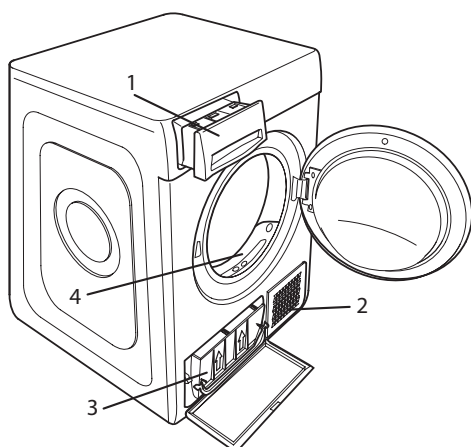
* Референтна програма за енергийния етикет, в който се уточнява, че тя е подходяща за сушене на нормално влажно памучно пране и че това е най-ефективната програма за сушене на нормално влажно памучно пране по отношение на консумацията на енергия. (Стандартна позиция/начална).

Система за Термопомпа

Термопомпата съдържа парникови газове, съдържащи се в херметично затворен възел. Тази запечатана система съдържа 0.43 kg газ R134a. GWP = 1430 (1 t CO₂).

ОПИСАНИЕ НА ПРОДУКТА

1. Резервоар за вода
2. Отвор за въздух
3. долен филтър
4. Филтър на вратичката



В случай на неизправност, преди да се свържете със Сервиза, проверете таблицата по-долу. Аномалиите често са незначителни и могат да бъдат разрешени след няколко минути.

Аномалия	Вероятна причина	Решение
Времето за сушене е много дълго.	Не е извършена адекватна поддръжка.	Консултирайте се с раздел Почистване и поддръжка и изпълнете описаните операции.
	Дрехите са прекалено мокри.	Изпълнете един цикъл на пране с по-висока скорост на центрофугиране, за да елиминирате колкото е възможно повече вода.
	Температура на помещението.	Времето за сушене може да бъде по-дълго, ако температурата в помещението е извън диапазона 14 – 30° С.
	Програмата, времето и/или степента на сушене, които са зададени, не са подходящи за вида или количеството, поставено в сушилнята.	Консултирайте се с раздел "Програми и опции", за да намерите програмата и най-подходящите опции за вида натоварване.
	Сушилнята може да е претоварена.	Консултирайте се с раздел програми, за да проверите максималното натоварване за всяка програма.
Сушилнята не се включва.	Бутонът Включ./Изключ не е бил натиснат.	Натиснете бутона Включ./Изключ.
	Щепселът не е поставен в контакта на захранването.	Вкарайте щепсела в контакта на захранването.
	Контактът е повреден.	Опитайте да свържете друг уред в същия контакт. Не използвайте електрически устройства за свързване към контакта, като разклонители или удължители.
Сушилнята не стартира.	Прекъсване на електрическата енергия.	Изчакайте електрозахранването да се възстанови и отново включете предпазителя, ако е нужно.
	Вратата не е правилно затворена.	Затворете вратата.
	Зададен е късен старт на цикъла.	При сушилни с тази функция: изчакайте края на зададеното закъснение или изключете машината, за да я нулирате. Консултирайте се с раздел Опции.
	Бутонът Старт/Пауза не е натиснат, за да стартирате програмата.	Натиснете бутона Старт/Пауза.
Прането е влажно при завършване на цикъла.	При уреди, оборудвани с функцията за заключване на клавишите, е включена тази опция.	Обърнете се към раздел Опции. Ако е избрано Заключване бутони, дезактивирайте го. Изключването на машината няма да дезактивира тази опция.
	Малко зареждане.	Автоматичната програма не е усетила необходимата в края влага и сушилнята завършва програмата и спира. Ако това се случи, просто изберете допълнителен кратък период на сушене или изберете опцията extra dry, ако е налична.
	Слагате повече дрехи за пране или по-тежки тъкани.	Степента на изсушаване може да бъде променена в зависимост от желаното конкретно изсушаване. За готови за носене дрехи се препоръчва "Идеално сухи".
	Цикълът на сушене е бил спрял и не е бил активиран отново в рамките на 15 минути, което е довело до изключване на машината.	Цикълът на сушене трябва да се настрои още веднъж и да се стартира отново.
Възможно е да е възникнала повреда в захранването, която да е довела до изключване на машината.	Цикълът на сушене трябва да се настрои още веднъж и да се стартира отново.	

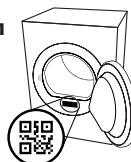
Индикаторите светят или мигат

Резервоар за вода	Резервоарът за вода е пълен.	Изпразнете резервоара за вода. Консултирайте се с раздел Почистване и поддръжка.
Филтър на вратичката	Аномалия във въздушния поток, необходим за работата на машината.	Почистете филтъра на вратичката и проверете дали отвора за въздуха е свободен. Ако тези операции не се извършват правилно, сушилнята може да се повреди. Консултирайте се с раздел Почистване и поддръжка.
Долен филтър*	Долният филтър трябва да се почисти.	Почистете долния филтър. Консултирайте се с раздел Почистване и поддръжка.
Наличието на символа гаечен ключ показва аномалия.	Сензорите на машината са открили някаква аномалия.	Изключете сушилнята и я изключете от захранването. Отворете веднага вратата и извадете прането, за да може топлината да се разсее. Изчакайте около 15 минути. Свържете отново сушилнята към захранването, заредете прането и рестартирайте цикъла на сушене. Ако проблемът продължава, свържете се с Обслужващия сервиз и съобщете буквите и цифрите, които мигат на дисплея. Например, F3 и E2.

*Забележка: някои модели са самопочистващи се; не са оборудвани с долен филтър, консултирайте се с раздел Почистване и поддръжка.

Фирмени политики, стандартна документация, поръчка на резервни части и допълнителна информация за продукти можете да намерите на:

- Използване на QR кода на вашето устройство
- Посетете нашия уебсайт docs.whirlpool.eu и parts-selfservice.whirlpool.com
- Като алтернатива можете да се **свържете с отдела за следпродажбено обслужване** (вижте телефонния номер в гаранционната книжка). При контакт с отдела за следпродажбено обслужване на клиенти съобщавайте кодовете, посочени на заводската табелка на Вашия уред.





DĚKUJEME VÁM, ŽE JSTE SI ZAKOUPILI VÝROBEK ZNAČKY WHIRLPOOL.
Přejete-li si získat plnou podporu,
zaregistrujte svůj výrobek na www.whirlpool.eu/register



Před použitím spotřebiče si pečlivě
přečtěte Bezpečnostní pokyny.



PRO ZÍSKÁNÍ PODROBNĚJŠÍCH INFORMACÍ NASKENUJTE PROSÍM QR KÓD NA VAŠEM SPOTŘEBIČI.

OVLÁDACÍ PANEL

1 Zapnuto/Vypnuto (při dlouhém stisku: Reset)

2 Programátor

3 Start/Pauza

Tlačítka možností*

4 Úroveň sušení

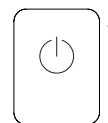
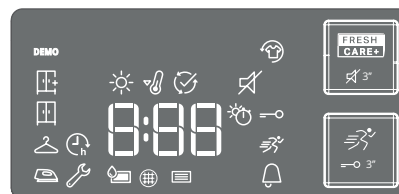
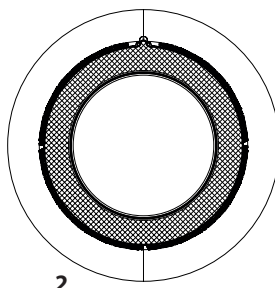
5 Odložený start

6 Časované sušení

7 Konec cyklu

8 Rychlé (při dlouhém stisku Zámek tlačítek)

9 FreshCare+ (při dlouhém stisku Mute)



4

5

6

7

8

9

*Poznámka: u některých modelů mohou být použity místo ikon plné texty.

UKAZATELE

Úroveň sušení: Sušení k žehlení - Na ramínko - Sušení k uložení - Extra Sušení

Fáze cyklu: Sušení - Chlazení - Konec cyklu

Vyprázdněte nádobu na vodu - **Vyčistěte dveřní filtr** - **Vyčistěte spodní filtr**

Viz oddíl Problémy a jejich řešení: **Závada:** Zavolat servis

PRVNÍ POUŽITÍ

Zkontrolujte, zda je nádrž na vodu správně zasunuta. Ujistěte se, že je odpadní hadice na zadní straně sušičky správně upevněna, a to buď k nádrži na vodu, nebo ke kanalizačnímu systému.

Sušičku je třeba instalovat do místnosti s teplotou v rozsahu 5 až 35 °C, aby byl zajištěn její řádný provoz.

Před použitím vaší sušičky se ujistěte, že stála ve svislé poloze nejméně 6 hodin.

BĚŽNÉ POUŽÍVÁNÍ

Budete-li se řídit těmito pokyny, docílíte MAXIMÁLNÍCH výsledků:

- **nezapomeňte po každém cyklu sušení vyprázdnit zásobník vody.**

- **nezapomeňte po každém cyklu sušení vyčistit filtry.**

Viz část Údržba a čištění.

1. Zapojte sušičku do zásuvky.
2. Otevřete dvířka a vložte prádlo; Vždy se řiďte pokyny na cedulkách oděvů a pokyny ohledně maximální kapacity daného programu. Vyprázdněte kapsy. Ujistěte se, že se vám prádlo nezaseklo mezi dvířky a/nebo ve filtru dvířek. Nevkládejte věci, ze kterých odkapává voda. V sušičce nesušte velké, nadrozměrné předměty. Pro dosažení optimálních výsledků sušení, vkládejte prádlo do sušičky po jednotlivých kusech.
3. Zavřete dvířka.
4. Stiskněte tlačítko "Zapnout/Vypnout".
5. Zvolte nejvhodnější program pro druh látky, ze které je dané oblečení.
6. V případě potřeby si vyberte z možností.
7. Sušení spusťte tlačítkem "Start/Pauza".
8. Po skončení sušicího cyklu zapípá zvukové znamení. Indikátor na ovládacím panelu značí konec cyklu. Prádlo ihned vyjměte, aby se nepomačkalo. Stroj vypněte stisknutím tlačítka "Zapnout/Vypnout", otevřete dvířka a oblečení ihned vyjměte, aby se nepomačkalo.

Pokud spotřebič nevypnete ručně, zhruba čtvrt hodiny po konci cyklu se kvůli šetření energie vypne automaticky.

Upozorňujeme, že některé modely využívají v poslední fázi sušení studený vzduch, prádlo tedy není na dotek teplé.

V případě výpadku proudu je nutné stisknout tlačítko "Start/Pauza" a cyklus tak restartovat.

Otevření dveří během pracovního cyklu

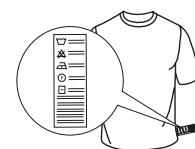
Během sušicího cyklu je možné kdykoliv otevřít dvířka sušičky a zkontrolovat stupeň usušení prádla či vyjmout již usušené kusy. Každé otevření dvířek může ale prodloužit dobu sušení prádla, pro ušetření času a energie tedy doporučujeme ponechat dvířka zavřená po celou dobu sušení.

Pro pokračování stiskněte tlačítko „Start/Pauza“ během 15 minut po zavření dvířek.

VISAČKY NA PRÁDLE

Zkontrolujte visačky na prádle, zejména při jeho prvním vložení do sušičky. Níže uvádíme nejpoužívanější symboly:

- Může se sušit v sušičce.
- Nesušit v sušičce.
- Sušit při vysoké teplotě.
- Sušit při nízké teplotě.



PROGRAMY

Doba trvání těchto programů závisí na množství náplně, na typu textilu, rychlosti odstředivky, která byla použita při praní a od dalších zvolených možností. **U modelů s displejem se čas trvání cyklů zobrazuje na ovládacím panelu.** Čas zbývající do konce se během cyklu sušení nepřetržitě monitoruje a aktualizuje, aby se zobrazoval co nejpřesnější odhad.

Možnost použití – Pokud u automatických cyklů bývá všechno vaše prádlo sušší nebo vlhčí, než požadujete, pomocí speciální funkce můžete stupeň vysušení zvýšit nebo snížit.

Eco **kg Max***

Standardní program na bavlnu vhodný k sušení normálně mokrého bavlněného prádla. Z hlediska spotřeby energie nejefektivnější program k sušení normálně mokrého bavlněného prádla. Hodnoty na energetickém štítku vycházejí z tohoto programu.

POZNÁMKA: Aby bylo zajištěno optimální využití energie, je tento cyklus v rámci výchozího nastavení nastaven na úroveň „Sušení k uložení“. Pro vyšší stupeň usušení doporučujeme použít cyklus Bavlna.

Bavlna **kg Max***

Cyklus je vhodný pro sušení všech druhů bavlněného prádla, které je připraveno k uložení do skříně.

Mix **kg 4**

Tento program je ideální pro sušení bavlněných a syntetických textilií současně, se stupněm sušení usnadňujícím žehlení.

Ložní prádlo **kg Max***

Sušení bavlněného ložního povlečení.

Přikrývky

Pro sušení objemných kusů jako například peřina.

Košile **kg 3**

Tento program je určen pro košile z bavlny nebo směsí bavlny se syntetickými vlákny.

Jeans **kg 3**

Pro sušení bavlněného denimového oblečení a oděvů vyrobených z odolných materiálů typu denim, jako jsou kalhoty či bundy.

Snadné žehlení

Tento cyklus uvolňuje vlákna a usnadňuje tak žehlení a skládání. Vhodné pro menší objemy mokrého i suchého bavlněného prádla či látek s příměsí bavlny. Nepoužívejte na stále mokré oblečení.

Osvěžení

Krátký program určený k regeneraci vláken a textilií studeným vzduchem. Nepoužívejte na ještě vlhké textilie. Může se používat s libovolným objemem náplně, ale neúčinnější je s malými náplněmi. Cyklus trvá cca 20 minut.

Rychlé 30' **kg 0.5**

K sušení bavlněných textilií po odstředění v pračce na vysokých otáčkách.

Sport **kg 4**

Pro sušení sportovních oděvů vyrobených z umělých vláken nebo bavlny.

Hedvábí **kg 0.5**

Jemné sušení hedvábnych oděvů.

Vlna **kg 1**

Pro sušení vlněných textilií. Doporučuje se textil před sušením obrátit naruby. Nejhrubší okraje, které zůstanou vlhké, nechte dosušit přirozeně na vzduchu.

Jemné prádlo **kg 2**

Pro sušení jemných tkanin, které vyžadují šetrné zacházení.

Syntetika **kg 4**

Pro sušení syntetických tkanin.

***MAX. NÁPLŇ 8 Kg (Dosušení prádla)**


MOŽNOSTI


Těmito tlačítky si můžete přizpůsobit zvolený program na míru podle svých osobních potřeb.

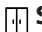
Ne všechny možnosti jsou k dispozici pro všechny programy. Některé možnosti nemusí být kompatibilní s těmi, které jste si zvolili dříve; V takovém případě vás na to upozorní zvukový signál a/nebo blikající indikátory. Pokud je možnost k dispozici, zůstane její indikátor rozsvícený. Program může mít zapamatované některé možnosti zvolené v předchozích cyklech.

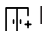
Úroveň sušení

Úroveň vysušení prádla zvolíte opakovaným tisknutím příslušného tlačítka, až dokud se nenavolí požadovaná úroveň. Ukazatel signalizuje úroveň, která je navolena.

 **Sušení k žehlení:** velmi jemné sušení. Prádlo se bude snadněji žehlit ihned po ukončení cyklu.

 **Na ramínko** míra vysušení určena pro velmi jemné textilie, které se hned vyvěsí.

 **Sušení k uložení:** prádlo bude připraveno k poskládání a uložení do skříně.

 **Extra sušení:** používá se pro oděvy, které se budou oblékat ihned po skončení cyklu.

Časované sušení

Tato možnost nabízí volbu času trvání sušení. Opakovaně tiskněte příslušné tlačítko, dokud se nenavolí požadovaný čas trvání sušení. Ukazatel na ovládacím panelu ukazuje čas, který je právě navolený.

Odložený start

Tato možnost nabízí odklad oproti začátku cyklu. Opakovaně tiskněte příslušné tlačítko, dokud se nenavolí požadovaný časový odklad. Po dosažení nejvyššího přípustného času další stisknutí tlačítka vede ke zrušení nastavení. Ukazatel na ovládacím panelu ukazuje čas, který je právě navolený. Po stisknutí tlačítka start/pauza: stroj signalizuje čas zbývající do spuštění cyklu. V případě otevření dvířek musíte po jejich zavření zase stisknout tlačítko Start/Pauza.

Rychlé

Umožňuje rychlejší sušení.

FreshCare+

V prádle ponechaném uvnitř bubny po skončení cyklu se mohou začít šířit bakterie. Tato možnost tomu předchází tím, že hlídá teplotu a jemně otáčí bubnem. Tento režim potrvá přibližně 6 hodin po skončení cyklu. Toto nastavení zůstane mezi uchovanými informacemi o posledním cyklu. Pokud toto použijete společně s odloženým startem, proběhne v této fázi prevence zmačkání formou pravidelného otáčení bubnu.

Zámek tlačítek

Tato možnost nabízí zablokování všech ovladačů na zařízení s výjimkou tlačítka Zapnuto/Vypnuto.

Zapnutý stroj:

- Pro aktivaci této možnosti podržte stisknuto tlačítko, dokud stroj nevyšle signál o aktivaci možnosti.
- Pro deaktivaci této možnosti podržte stisknuto tlačítko, dokud stroj nevyšle signál o její deaktivaci. Jestliže byla tato možnost navolena v předchozím sušení, zůstane nastavená v paměti.

Konec cyklu

Tato možnost znamená, že po skončení cyklu zazní dlouhé zvukové znamení. Používá se za předpokladu, že standardní bzučák nebude slyšet. Jestliže byla tato možnost navolena v předchozím sušení, zůstane nastavení v paměti.

Mute

Tato možnost nabízí vypnutí veškeré zvukové signalizace na ovládacím panelu. Aktivní zůstanou pouze hlášení poruch:

- pro aktivaci této možnosti podržte stisknuto tlačítko dokud se nerozsvítí příslušný ukazatel.
- pro deaktivaci této možnosti podržte stisknuto tlačítko dokud příslušný ukazatel nezhasne.

ÚDRŽBA A ČIŠTĚNÍ

VAROVÁNÍ: Při čisticích a údržbářských procedurách sušičku vypojte ze zásuvky.

 **Vyprázdnění sběrné nádrže na vodu po každém sušení (viz obrázek A).**

Vyberte nádobku ze sušičky a vyprázdněte ji do umyvadla nebo do jiného vhodného odtoku, následně je vraťte na místo. Sušičku nikdy nepoužívejte bez sběrné nádoby.

 **Čištění dveřního filtru po každém sušení (viz obrázek B).**

Vyjměte filtr a vyčistěte ho od případných usazenin na povrchu tak, že ho umyjete pod tekoucí vodou nebo vyčistíte vysavačem. Pro dosažení optimálního výkonu všechny filtry předtím, než je vložíte zpět na místo, vysušte. **Sušičku nikdy nepoužívejte bez filtru.**

Jak vyjmout dveřní filtr:

- Otevřete dvířka a vytáhněte filtr směrem nahoru.
- Otevřete filtr a vyčistěte všechny části od nánosů. Vraťte filtr na místo; ujistěte se, že je řádně osazený na doraz s těsněním sušičky.

 **Čištění spodního filtru po rozsvícení příslušného ukazatele (viz obrázky C).**

Vyjměte filtr a vyčistěte ho od případných usazenin na povrchu tak, že ho umyjete pod tekoucí vodou nebo vyčistíte vysavačem. Nicméně se doporučuje čistit tento filtr po každém sušení, aby byl sušící výkon optimální. **Sušičku nikdy nepoužívejte bez filtru.**

Jak vyjmout spodní filtr:

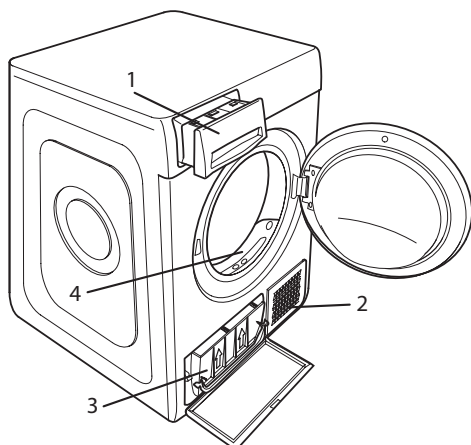
- Otevřete spodní kryt; uchopte rukojeť a vytáhněte filtr ven.
 - Otevřete zadní stěnu filtru a odstraňte případné usazeniny z vnitřní plochy sítky.
 - C3/C4. komoru spodního filtru zkontrolujte každý měsíc. Pokud na kovových částech ulpí zbytky žmolků, vyčistěte je vysavačem pomocí nástavce s kartáčkem.
 - Kovové části vždy čistěte vertikálními pohyby, pokud se je pokusíte čistit vodorovně, můžete je poškodit. Na kovové části nikdy nesahejte holou rukou, předejdete tak riziku pořezání.
 - C5. Zavřete zadní stranu filtru, vložte jej zpět a současně překontrolujete, zda je dokonale usazen na svém místě, poté sklopte rukojeť.
 - C6. Zamkněte spodní kryt.
- Ujistěte se, že je otvory pro nasávání vzduchu volný.

Filtry mají pro sušení zásadní význam. Jejich úlohou je zachytit usazeniny, které se vytvářejí během sušení. Pokud by se filtry ucply, proudění vzduchu sušičkou by bylo značně problematické: prodloužily by se tím čas trvání sušení, vzrostla by spotřeba energie a mohlo by dojít k poškození sušičky. Jestliže se tyto operace nebudou provádět správným způsobem, nebude možné sušičku uvést do chodu.

POZNÁMKA: I po vyčištění filtrů zůstane svítit příslušný indikátor; jde o normální jev, zhasne, jakmile spustíte nový sušící cyklus.

POPIS PRODUKTU

- Nádrž na vodu
- Otvory pro nasávání vzduchu
- Spodní filtr
- Dveřní filtr





PŘEPRAVA A MANIPULACE

Sušičku nikdy nezdvíhejte za vrchní část.

- Odpojte sušičku od sítě.
- Odstraňte veškerou vodu ze zásobníku.
- Ujistěte se, že jsou dvířka a zásobník na vodu důkladně uzavřené.
- Je-li vypouštěcí hadice napojena na kanalizační systém, opětovně ji připevněte na zadní stranu sušičky (viz Průvodce instalací).

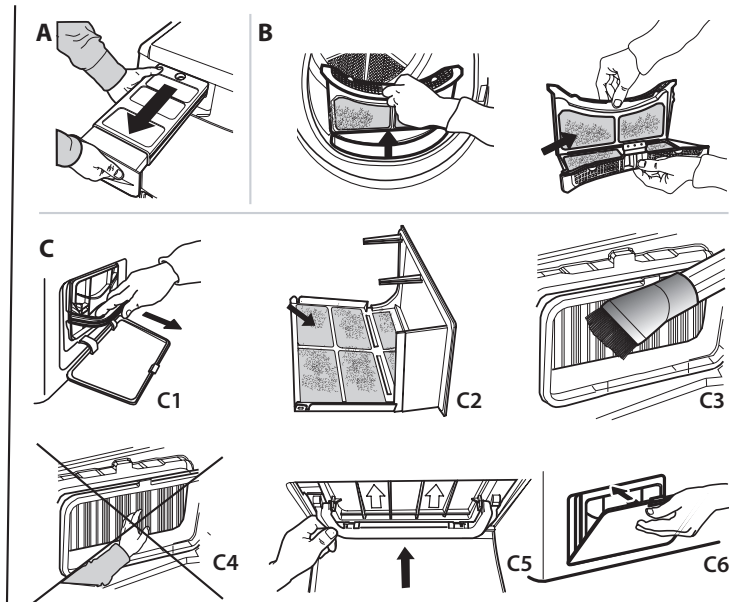
Čištění sušičky

- Vnější kovové, plastové i gumové části lze čistit mokřím hadříkem.
- Přední mřížku pro nasávání vzduchu čistěte pravidelně (každých 6 měsíců) vysavačem, abyste z ní odstranili veškeré žmolky, chomáčky nebo zbytky prachu. Občas také odstraňte vysavačem zbytky žmolků z oblasti filtrů.
- Nepoužívejte rozpouštědla ani abraziva.

Příkon			
Ve vypnutém stavu (Po) - Watt			0.50
V pohotovostním stavu (Pl) - Watt			2.00
Programy	Kg	kWh	Minuty
Eco* 	8	1.42	165
Eco 	4	0.78	96
Syntetika	4	0.94	113
* Referenční program pro energetický štítek, tento program je vhodný pro sušení bavlněného prádla a jedná se o neúčinnější program pro bavlnu z hlediska spotřeby energie. (Počáteční standardní nastavení).			

Instalace s tepelným čerpadlem

Tepelné čerpadlo používá skleníkové plyny, které se nacházejí v hermeticky zaplombované jednotce. V této zaplombované jednotce se nachází 0.43 kg plynu R134a. GWP = 1430 (1 t CO₂).



V případě poruchy si ještě předtím, než zavoláte centrum zákaznické podpory, prostudujte následující tabulku. Shledané anomálie jsou často málo závažné a lze je vyřešit během několika minut.

Chyba	Možná příčina	Postup
Příliš dlouhé časy sušení.	Nebyla provedena potřebná údržba.	Přečtěte si oddíl ÚDRŽBA A ČIŠTĚNÍ a proveďte požadované operace.
	Textilie jsou příliš mokré.	Proveďte prací cyklus s odstředěním ve vysokých otáčkách, aby se vyždímalo co nejvíc vody.
	Pokojeová teplota.	Doba schnutí může trvat déle, pokud je pokojová teplota v rozsahu 14–30 °C.
	Navolený program, čas a/nebo úroveň sušení nejsou vhodné pro daný typ nebo objem náplně v sušičce.	Přečtěte si oddíl Programy a možnosti, kde si můžete vybrat nevhodnější program a možnosti pro dané textilie.
	Příčinou může být přetížení sušičky.	Přečtěte si oddíl Programy, kde zjistíte maximální příslušnou hmotnost náplně pro každý program.
Sušička se nechce zapnout.	Tlačítko Zapnuto/Vypnuto nebylo stisknuto.	Stiskněte tlačítko Zapnout/Vypnout.
	Zástrčka není správně zapojena do elektrické zásuvky.	Zasuňte zástrčku do síťové zásuvky.
	Elektrická zásuvka je vadná.	Pokuste se do stejné zásuvky připojit jiný elektrický spotřebič. Nepoužívejte k připojení do elektrické sítě zařízení jako jsou adaptéry nebo prodlužovačky.
	Došlo k přerušování dodávky elektrického proudu.	Počkejte, než bude obnoven přívod proudu a v případě potřeby opět sepněte pojistky.
Sušička se nechce uvést do činnosti.	Nejsou řádně zavřená dvířka.	Zavřete dvířka.
	Byl navolen odložený start cyklu.	Pro stroje s touto funkcí: počkejte, až uplyne nastavený čas odkladu startu nebo vypněte stroj, aby se nastavení vynulovalo. Přečtěte si oddíl Možnosti.
	Nebylo stisknuto tlačítko Start/Pauza pro spuštění programu.	Stiskněte tlačítko Start/Pauza.
	Na strojích s funkcí zámku tlačítek: byla zvolena tato možnost.	Viz Výběr možností. Pokud byl zvolen Zámek tlačítek, vypněte jej. Vypnutí stroje neznemožní použití této možnosti.
Prádlo je po dokončení cyklu mokré.	Malá náplň.	Automatický program nedetekoval požadovanou konečnou vlhkost a sušička program dokončí a zastaví se. Pokud k tomu dojde, jednoduše vyberte další kratkou dobu sušení, popřípadě vyberte možnost „extra suché“, pokud je tato možnost k dispozici.
	Velké dávky nebo těžší tkaniny.	Stupně vysušení lze měnit podle požadované míry usušení. Možnost „Extra sušení“ se doporučuje pro oblečení, které lze hned oblékat.
	Sušicí cyklus byl přerušen a během 15 minut nebyl znovu spuštěn, proto se spotřebič vypnul.	Sušicí cyklus byl znovu nastaven a spuštěn.
	Pravděpodobně došlo k výpadku elektrického napájení, proto se spotřebič vypnul.	Sušicí cyklus byl znovu nastaven a spuštěn.

Světelné ukazatele

Nádrž na vodu	Sběrná nádrž na vodu je plná.	Vyprázdněte nádržku na vodu. Přečtěte si oddíl ÚDRŽBA A ČIŠTĚNÍ.
Dveřní filtr	Porucha proudění vzduchu nezbytného pro práci stroje.	Vyčistěte dveřní filtr a zkontrolujte, zda je otvory pro nasávání vzduchu volný. Jestliže se tyto operace nebudou provádět správným způsobem, může se sušička poškodit. Přečtěte si oddíl ÚDRŽBA A ČIŠTĚNÍ.
Spodní filtr*	Spodní filtr se musí vyčistit.	Vyčistěte spodní filtr. Přečtěte si oddíl ÚDRŽBA A ČIŠTĚNÍ.
Symbol anglického klíče označuje poruchu.	Snímače stroje zaznamenaly poruchu.	Vypněte sušičku a odpojte ji od elektrického napájení. Ihned otevřete dvířka a vyložte prádlo, aby se rozptýlilo teplo. Počkejte přibližně 15 minut. Připojte sušičku opět k elektrické síti, naložte prádlo a znovu spusťte cyklus sušení. Jestliže problém přetrvává, kontaktujte centrum zákaznické podpory, kde oznámíte abecedně-číselné kódy, které blikají na displeji. Například F3 a E2.

*Poznámka: některé modely jsou samočisticí; nejsou vybaveny spodním filtrem - přečtěte si oddíl ÚDRŽBA A ČIŠTĚNÍ.

Firemní zásady, standardní dokumentaci, objednávky náhradních dílů a další informace o výrobku získáte:

- Pomocí QR kódu ve vašem spotřebiči
- Návštěvou našeho webu docs.whirlpool.eu a parts-selfservice.whirlpool.com
- Případně **kontaktujte náš poprodejní servis** (telefonní číslo najdete v záručním listě). Při kontaktování našeho poprodejního servisu prosím uveďte kódy na identifikačním štítku produktu.





KÖSZÖNJÜK, HOGY A WHIRLPOOL TERMÉKÉT VÁLASZTotta!
Ahhoz, hogy átfogóbb támogatásban részesüljön, kérjük, regisztrálja készülékét a www.whirlpool.eu/register oldalon



A készülék használata előtt olvassa el figyelmesen a Biztonsági útmutatót!



A RÉSZLETESEBB INFORMÁCIÓKÉRT KÉRJÜK, SZKENNELJE BE A KÉSZÜLÉKÉN TALÁLHATÓ QR KÓDOT.

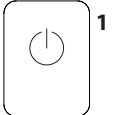
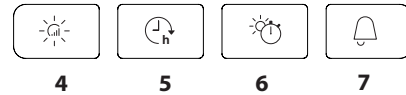
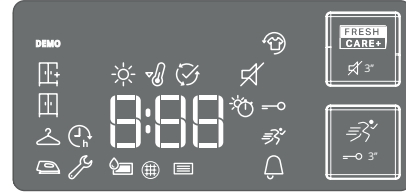
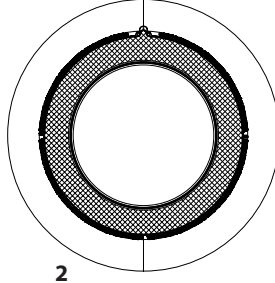


KEZELŐPANEL

- 1 Be-Ki gomb (hosszan történő megnyomásakor: nullázás)
- 2 Programok gomb
- 3 Start/Szünet

Opciók gombok*

- 4 Szárítási szint
- 5 Késleltetett elindítás
- 6 Szárítás ideje
- 7 Progr. vége
- 8 Gyorsprogram (hosszan történő megnyomásakor: Gombok lezárása)
- 9 FreshCare+ (hosszan történő megnyomásakor: Némítás)



*Megjegyzés: néhány modellen az ikonok helyett az adatok teljesen ki vannak írva.

KIJELZÉSEK

Szárítási szint: Vasalásszáraz - Vállfeszáráz - Szekrényszáráz - Extra száraz

A program fázisa: Szárítás - Hűtés - Program vége

A tartály ürítéséhez - Tisztítsa meg az ajtószűrőt - Tisztítsa meg az alsó szűrőt

Olvassa el a Problémák és elhárításuk szakaszt: **üzemzavar:** Hívjon szervizt

AZ ELSŐ HASZNÁLAT

Ellenőrizze hogy a víztartály megfelelően van-e behelyezve. Ellenőrizze hogy a szárítógép hátulján lévő leeresztő tömlő megfelelően van-e rögzítve a szárító víztartályához vagy a szennyvízelvezető rendszerhez.

A megfelelő működés érdekében a szárítógép egy olyan szobában kell felszerelni, ahol a hőmérséklettartomány 5 °C és 35 °C között van.

A szárítógép használata előtt győződjön meg róla, hogy függőleges helyzetben maradt-e legalább 6 órán át.

MINDENNAPI HASZNÁLAT

A készülék KIVÁLÓ működéséhez szükséges műveletek:

- ne felejtse el az egyes szárítási ciklusok után kiüríteni a víztartályt.

- ne felejtse el az egyes szárítási ciklusok után megtisztítani a szűrőket.

Lásd a Kezelés és karbantartás c. részt.

1. Csatlakoztassa a szárítót az elektromos aljzatba.
2. Nyissa ki az ajtót és rakja be a ruhákat; mindig olvassa el a ruhák címkéjén található utasításokat, illetve a programokra vonatkozó részben a maximális terhelést. Ürítse ki a zsebeket! Ügyeljen arra, hogy a ruhák ne akadjanak el az ajtó és/vagy az ajtó szűrője között. Ne rakjon be olyan darabokat, amelyekből még csepeg a víz. Ne szárítson nagy, terjedelmes darabokat. Az optimális szárítási eredmény elérése érdekében a ruhadarabokat egyesével kell betenni.
3. Zárja be az ajtót.
4. Nyomja meg a "BE/KI" gombot.
5. Válassza ki a betöltött ruha típusához legmegfelelőbb programot.
6. Válassza ki az opciókat, ha szükséges.
7. Nyomja meg a "Start/Szünet" gombot a szárítás megkezdéséhez.
8. A szárítóprogram végén egy hangjelzés szólal meg. A ciklus végén a vezérlőpanelen egy visszajelző világít. Kapcsolja ki a gépet a "BE/KI" gombot megnyomásával, nyissa ki az ajtót és azonnal vegye ki a ruhákat a gépből, hogy megakadályozza a gyűrődések kialakulását.

Ha a gépet manuálisan nem kapcsolja ki, a ciklus befejezését követően a gép kb. negyed óra elteltével automatikusan kikapcsol, hogy energiát takarítson meg.

Vegye figyelembe, hogy egyes modellek egy utolsó, hideg szárítási ciklust végeznek, ezért előfordulhat, hogy a ruhákat nem érzi forróknak.

Áramszünet esetén a ciklus újraindításához meg kell nyomni a "Start/Szünet" gombot.

Ajtónyitás a program közben

A szárítógép ajtaja a ciklus során bármikor kinyitható, hogy ellenőrizze a folyamatot és kivegye a már megszáradt ruhadarabokat.

Mivel azonban az ajtó kinyitása meghosszabbíthatja a szárítási időt, az idő- és energiatakarékosság érdekében ajánlott az ajtót a ciklus teljes időtartama alatt zárva tartani.

Az ajtó bezárását követően 15 percen belül nyomja meg a „Start/Szünet” gombot, hogy folytassa a programot.

KEZELÉSI CÍMKÉK

Ellenőrizze a ruhadarabok címkéit, különösen akkor, ha ez az első alkalom, hogy a szárítógépben kívánja őket szárítani. Az alábbiakban a leggyakoribb szimbólumok vannak felsorolva:

- Szárítógépben szárítható.
- Szárítógépben nem szárítható.
- Magas hőmérsékleten való szárítás.
- Alacsony hőmérsékleten való szárítás.



PROGRAMOK

Ezeknek a programoknak az időtartama a terhelés mértékétől, a mosógépben használt centrifuga sebességétől és a többi kiválasztott opciótól függ.

A programidőt jelző modellekben a kezelőpanel jelenik meg. A fennmaradó idő állandóan ellenőrzés alatt van a szárító program alatt a legjobb becsült idő megjelenítéséhez. Használható opció - Ha az automatikus ciklusok töltetei konzisztensen nedvesebbek vagy szárazabbak mint szeretné, növelje vagy csökkentse a Szárazság szintjét az adott opcióval.

Eco **Max töltő súly***

Normál pamutprogram normál nedvességtartalmú pamut ruhanemű szárításához. Energiafogyasztás szempontjából ez a leghatékonyabb program a pamut ruhanemű szárításához. Az energiacímken szereplő értékek erre a programra vonatkoznak.

MEGJEGYZÉS: Az optimális energiahatékonyság érdekében ez a ciklus alapértelmezés szerint a „Szekrényszárász” szintre van beállítva. A magasabb szárítás érdekében javasoljuk a Pamut ciklus használatát.

Pamut **Max töltő súly***

Mindenfajta pamut szárítására alkalmas program, mely után a ruhák elpakolhatók.

Vegyes **kg 4**

Ez a program ideális a pamut és szintetikus ruhák közös szárítására.

Ágynemű **Max töltő súly***

Pamut ágynemű szárításához.

Paplan

Nagy méretű ruhák szárításához, mint pl. egy egész paplan.

Ing **kg 3**

Ez a program pamut vagy kevert pamut/szintetikus ruhákhoz való.

Farmer **kg 3**

Pamut farmerruházat és vastag, farmerszerű anyagból készült ruhadarabok, pl. nadrágok és dzsekik szárításához.

Vasaláskönyvités

Ez a ciklus fellazítja a szálakat, így megkönnyíti a vasalást és a hajtogatást. Megfelelő kisebb mennyiségű nedves vagy száraz, pamutból, illetve pamutkeverékből készült ruhához. Ne használja nedves ruhadarabokkal.

Frissítő

Rövid program, amely a szövetek felfrissítésére való, a szöveten átfúj friss levegőnek köszönhetően. Még nedves ruhákat ne használjon.

Bármilyen mennyiséggel jól működik, de kisebb mennyiségeken hatékonyabb. A program körülbelül 20 percig tart.

Gyorsprogram 30' **kg 0.5**

Ideális nagy sebességgel a mosógépben centrifugázott pamut ruhák szárítására.

Sportruha **kg 4**

Szintetikus anyagból vagy pamutból készült sportruházat szárításához.

Selyem **kg 0.5**

Selyem ruhanemű kímélő szárítása.

Gyapjú **kg 1**

Gyapjú ruhák szárításához. Szárítás előtt fordítsa ki a ruhákat. Hagyja a ruhákat természetesen száradni, ha a szélük még nedves.

Kímélőprogram **kg 2**

Kímélő szárítást igénylő, kényes ruhanemű szárításához.

Műszál **kg 4**

Műszál anyagokból készült ruhanemű szárításához.

***MAX TÖLTŐ SÚLY 8 Kg (Száraz töltet)**


OPCIÓK


Ezek a gombok lehetővé teszik a kiválasztott program igény szerinti testre szabását.


Nem minden opció érhető el minden programhoz. Előfordulhat, hogy egyes opciók nem kompatibilisek a korábban már beállított lehetőségekkel; ha mégis kiválasztja, egy figyelmeztető hangjelzés szólal meg és/vagy a visszajelző lámpák villognak. Ha az adott opció elérhető, az opcióhoz tartozó visszajelző lámpa tovább világít. A program megőrizhet korábbi szárítási ciklusok során kiválasztott opciókat.

Szárítási szint

a vonatkozó gombot nyomja meg többször, a ruhán a különböző nedvességi szint eléréséhez. Egy kijelzés mutatja, hogy melyik szintet választotta ki.

 **Vasalásszárász:** nagyon kényes ruhák szárítása. A ruhadarabok sokkal könnyebben vasalhatók közvetlenül a szárítási ciklust követően.

 **Vállfeszítési:** érzékeny ruhákhoz; felakaszthatók.

 **Szekrény:** a ruhákat összehajthatja és berakhatja a szekrénybe.

 **Extra szárász:** ezeket a ruhákat a program végén hordhatja is.

Szárítás ideje

Ezzel az opcióval kiválaszthatja a szárítás idejét. Nyomja meg többször a vonatkozó gombot, hogy beállíthassa a szárítás kívánt idejét. A vezérlőpanel egyik kijelzése jelzi azt az időt, amelyet szeretne kiválasztani.

Késleltetett elindítás

Ezzel az opcióval késést állíthat be a program kezdetéhez képest.

Többször nyomja meg a vonatkozó gombot, amíg eléri a kívánt késleltetett bekapcsolási időt. Miután kiválasztotta a maximális időt, a gomb további nyomásával visszaállítja az opciót. A vezérlőpanel egyik kijelzése jelzi azt az időt, amelyet szeretne kiválasztani. Miután megnyomta a start/szünet gombot: a gép jelzi a ciklus elindításáig fennmaradó időt. Ajtónyitáskor, vagy bezáráskor nyomja meg a Start/Szünet gombot.

Gyorsprogram

Gyorsabb szárítást tesz lehetővé.

FreshCare+

Ha a szárítási ciklus befejezését követően a ruhadarabok a dobben maradnak, baktériumok szaporodhatnak el. Ez az opció ezt segít megelőzni a hőmérséklet szabályozásával, illetve a dob forgatásával. Ez a ciklus befejezését követően akár 6 óra hosszan is történhet. Ez a beállítás az előző ciklusból a berendezés memóriájában maradhat. Ha a Késleltetett indítás opcióval együtt használja, akkor ebben a fázisban a dob időszakos forgatásával a gyűrődésgátló kezelés is biztosítható.

Gombok lezárása

Ezzel az opcióval a gép összes vezérlését lezárja, kivéve a "Be/Ki" gombot.

Bekapcsolt gépnél:

- az opció bekapcsolásához tartsa nyomva a gombot, amíg a gép jelzi, hogy az opció be van kapcsolva.
 - az opció kikapcsolásához tartsa nyomva a gombot, amíg a gép jelzi, hogy az opció ki van kapcsolva.
- Ha az előző szárításban kiválasztja ezt az opciót, akkor a memóriában marad.

Progr. Vége

Ezzel az opcióval a program végén akusztikus jelzést hallhat. Akkor kapcsolja be, ha nem biztos benne, hogy a program végén hallja a normális hangot. Ha kiválasztja ezt az opciót, akkor az előzőleg elmentett szárítás a memóriában marad.

Némítás

Ezzel az opcióval kikapcsolhatja a vezérlőpanel akusztikus jelzéseit. A hibás működés riasztásai aktívak maradnak:

- az opcióhoz tartsa lenyomva a gombot, amíg a hozzátartozó kijelzés bekapcsol.
- az opció kikapcsolásához tartsa lenyomva a gombot, amíg a hozzátartozó kijelzés kikapcsol.

TISZTÍTÁS ÉS KARBANTARTÁS

FIGYELMEZTETÉS: a tisztítás és karbantartás során húzza ki a szárítógépet.

 **A vízgyűjtő tartályt minden program után ürítse ki (lásd az A ábrát).**

Estrarre il contenitore dall'asciugatrice e svuotarlo in un Húzza ki a szárító tartóját és ürítse ki egy mosdókagylóba vagy másik megfelelő ürítőbe, majd tegye helyre. Ne használja a szárítót, mielőtt a tálcát nem tette helyre.

 **Az ajtónál lévő szűrő tisztítása minden ciklus után (lásd a B ábrát).**

Húzza ki a szűrőt és tisztítsa meg a szűrőfelületen maradt esetleges szőszmaradványoktól folyóvíz alatt elmosva vagy porszívóval leszívva. Az optimális teljesítmény érdekében szárítsa ki a szűrőket, mielőtt visszateszi őket a helyükre. **Ne használja a szárítót, mielőtt a szűrőt nem tette helyre.**

Az ajtónál lévő szűrő eltávolítása:

1. Nyissa ki az ajtót és távolítsa el a szűrőt felfelé.
2. Nyissa ki a szűrőt és tisztítsa meg minden részét a szőszöktől. Tegye helyre; ellenőrizze, hogy a szűrő teljesen be legyen dugva a szárító tömítése mellett.

 **Az alsó szűrő tisztítása a mindenkorijelzés bekapcsolása után (lásd a C ábrát).**

Húzza ki a szűrőt és tisztítsa meg a szűrőfelületen maradt esetleges szőszmaradványoktól folyóvíz alatt elmosva vagy porszívóval leszívva. Mindenesetre ezt a szűrőt minden használat után tisztítsa meg, hogy a szárítás teljesítménye jobb legyen. **Ne használja a szárítót, mielőtt a szűrőt nem tette helyre.**

Az alsó szűrő eltávolítása:

C1. Nyissa ki az alsó fedelet; Fogja meg a fogantyút, és vegye ki a szűrőt.

C2. Nyissa ki a szűrő hátsó falát és távolítsa el az esetleges szőszmaradványokat a háló belső felületéről.

C3/C4. Havonta ellenőrizze az alsó szűrőházat. Ha a fémbordákon felhalmozódott szőszmaradványokat lát, tisztítsa meg porszívó kefésszívófejjel.

Nagyon fontos, hogy függőleges mozdulatokat végezzen, mert tönkretelheti az alkatrészt, ha vízszintes irányban próbálja meg tisztítani. Kerülje a kéz közvetlen érintkezését a bordákkal, nehogy megvágja magát.

C5. Csukja vissza a szűrő hátsó oldalát, majd helyezze vissza a szűrőt. Ellenőrizze, hogy megfelelően a helyére illesztette-e, majd hajtsa le a szűrő fogantyúját.

C6. Zárja ki az alsó fedelet.

Ellenőrizze, hogy a légbeszívó rács szabad legyen.

A szűrők a szárító alapvetően fontos részei. A szárítás közben képződött szőszök összegyűjtésében segítenek. Ha

a szűrők eldugulnak, akkor a szárítóban lévő levegőáramlat elromlik: a szárítási idő meghosszabbodik, több energiát fogyaszt és a szárító is elromolhat. Ha ezeket a folyamatokat nem végzi el helyesen, akkor a szárító esetleg nem indul el.

Megjegyzés: a szűrők tisztítása után a megfelelő jelzőfény világít; ez normális jelenség, és új szárítási ciklus indításakor a jelzőfény kialszik.



A szárítógép tisztítása

- A külső fém, műanyag és gumi alkatrészek egy nedves ruhával megtisztíthatók.
- Rendszeres időközönként tisztítsa meg porszívóval a levegő bemeneti rácsát (minden 6 hónapban), hogy eltávolíthassa a szőszöket vagy a felhalmozódott port. Ezen felül távolítson el minden lerakódást a szűrők területéről, amelyhez rendszeresen használjon porszívót.
- Ne használjon oldószereket vagy súroló hatású szert.

SZÁLLÍTÁS ÉS MOZGATÁS

Soha ne emelje fel a szárítót úgy, hogy a tetejét fogja.

1. Húzza ki a szárító csatlakozódugóját.
2. Távolítsa el az összes vizet a tartályból.
3. Ellenőrizze, hogy a gép ajtaja és a víztartály megfelelően be van-e zárva.
4. Ha a leeresztő tömlő közvetlenül a szennyvízhálózatra csatlakozik, kösse rá a tömlő végét ismét a szárítógép hátuljára (lásd Üzembe helyezési útmutató)

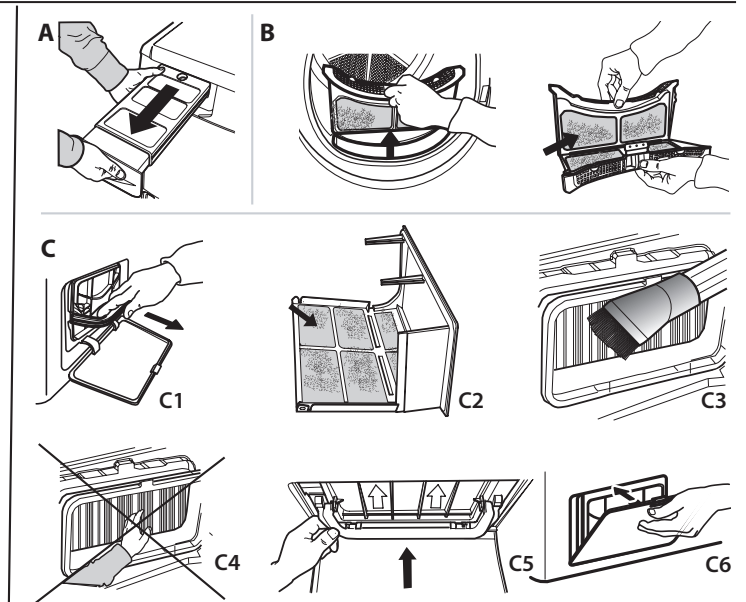
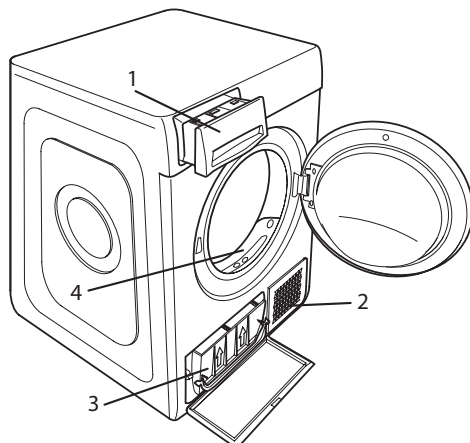
Áramfogyasztás			
Kikapcsolt üzemmód esetén (Po) - Watt		0.50	
Bekapcsolva hagyott üzemmód esetén (Pi) - Watt		2.00	
Programok	Kg	kWh	Perc
Eco* 	8	1.42	165
Eco 	4	0.78	96
Műszál	4	0.94	113
* Referenciaprogram az energia-adatokhoz; ez a program általános nedves pamut ruhaneműk szárítására alkalmas, és erre a célra az energiafogyasztás szempontjából a leghatékonyabb. (Normál/kezdő alapbeállítás).			

Hőszivattyú rendszer

A hőszivattyú rendszerben üvegházgázok vannak, hermetikusan elzárt egységben. Ez az elzárt egység 0.43 kg R134a gázt tartalmaz. GWP = 1430 (1 t CO₂).

A TERMÉK BEMUTATÁSA

1. Tartály
2. Légbeszívó rács
3. Alsó szűrő
4. Ajtónál lévő szűrő



Hibás működés esetén először keresse fel az ügyfélszolgálatot, ellenőrizze az alábbi táblázatot. Az üzemzavarok gyakran egyszerűek és néhány perc alatt elháríthatók.

Meghibásodás	Lehetséges ok	Megoldás
A szárítás hosszú ideig tart.	Nem végzett megfelelő karbantartást.	Olvassa el a Tisztítás és karbantartás szakaszt és végezze el a leírt folyamatokat.
	A ruhák túl nedvesek.	Hajtson végre gyorsabb centrifugás mosóprogramot, hogy a lehető legtöbb vizet eltávolítsa.
	Szobahőmérséklet.	A szárítás ideje hosszabb lehet, ha a szoba hőmérséklete a 14–30 °C-os tartományon kívül esik.
	A beállított program, idő és/vagy szárítási szint nem felel meg a szárítóba tett típushoz és ruhamennyiséghez.	Olvassa el a programok és opciók szakaszt, hogy megtalálja a ruhatípushoz legmegfelelőbb programot és opciókat.
	A szárító túl lehet terhelve.	Olvassa el a programok szakaszt és ellenőrizze minden egyes program maximális ruhamennyiségét.
A szárító nem kapcsol be.	A Be/Ki gombot nem nyomta meg.	Nyomja meg a Be/Ki gombot.
	A dugót nem dugta be a csatlakozóaljzatba.	Dugja be a dugót az aljzatba.
	A csatlakozóaljzat hibás.	Próbáljon meg másik készüléket csatlakoztatni az aljzathoz. Ne használjon csatlakozó elektromos berendezéseket adapterként vagy hosszabbítóként.
	Az elektromos áram megszűnt.	Várjon, amíg helyreáll az áramellátást, majd kapcsolja fel a biztosítékot, ha szükséges.
A szárítógép nem indul be.	Az ajtó nincs megfelelően bezárva.	Zárja be az ajtót.
	Késleltetést állított be a program elindításához.	Ilyen funkcióval felszerelt gépeknél: várja meg a beállított késlekedés végét és kapcsolja ki a gépet, majd állítsa vissza. Olvassa el az Opciók szakaszt.
	Nem nyomta meg a Start/Szünet gombot a program elindításához.	Nyomja meg a Start/Szünet gombot.
	Gombzárral felszerelt gépeknél van ilyen opció.	Lásd az Opciók c. részt. Ha a Zárás opció kiválasztásra kerül, oldja fel. A gép kikapcsolása nem oldja fel ezt az opciót.
A ruhák nedvesek a ciklus végén.	Kis terhelés.	Az automatikus program nem érzékelte a kívánt végső nedvességet, a szárító befejezi a programot és leáll. Ha ez megtörténik, egyszerűen válasszon további rövid szárítási időszakot, vagy válassza az extra szárítási opciót, ha van ilyen.
	Nagyobb töltet vagy nehezebb szövet.	A szárazság szintje a kívánt szárazságra módosítható. Az „Extra száraz” opció az azonnal viselni kívánt darabokhoz javasolt.
	A szárítási ciklus szünetelt, majd 15 percen belül nem aktiválták újra, ami a gép leállítását okozta.	A szárítási ciklust még egyszer be kell állítani és újra kell indítani.
	Áramkimaradás történt, ami a gép leállítását okozta.	A szárítási ciklust még egyszer be kell állítani és újra kell indítani.

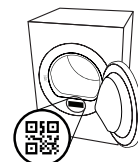
Bekapcsolt és villogó kijelzések

Tartály	A tartály tele van.	Ürítse ki a tartályt. Olvassa el a Tisztítás és karbantartás szakaszt.
Ajtónál lévő szűrő	A gép működéséhez szükséges levegőáramlás üzemzavara.	Tisztítsa meg az ajtónál lévő szűrőt és ellenőrizze, hogy a légbeszívó rács szabad. Ha ezeket a folyamatokat nem végzi el helyesen, akkor a szárító esetleg sérült. Olvassa el a Tisztítás és karbantartás szakaszt.
Alsó szűrő*	Az alsó szűrőt meg kell tisztítani.	Tisztítsa meg az alsó szűrőt. Olvassa el a Tisztítás és karbantartás szakaszt.
A villáskulcs szimbólum üzemzavart jelez.	A gépezékelők üzemzavart észleltek.	Kapcsolja ki a szárítógépet és válassza le az elektromos hálózatról. Gyorsan nyissa ki az ajtót és vegye ki a ruhákat, hogy a hő felszívódhasson. Várjon mintegy 15 perccel. Ismét csatlakoztassa a szárítót az elektromos hálózathoz, töltsen fel az elemeket és indítsa újra a szárítóprogramot. Ha a probléma nem szűnik meg, akkor keresse fel az Ügyfélszolgálatot és adja meg a kijelzőn villogó betűket és számokat. Például F3 vagy F2.

*Megjegyzés: néhány modell öntisztító; nincs bennük alsó szűrő, ekkor olvassa el a Tisztítás és karbantartás szakaszt.

A szabályzatok, a szabványos dokumentáció, a tartalékalkatrészek rendelése és a termékkel kapcsolatos további információk az alábbi módon érhetők el:

- A készüléken lévő QR-kód használata
- Látogasson el a docs.whirlpool.eu and parts-selfservice.whirlpool.com weboldalra
- Vagy **vegye fel a kapcsolatot a vevőszolgálattal** (a telefonszámot lásd a garanciafüzetben). Amennyiben a vevőszolgálathoz fordul, kérjük, adja meg a termék adattábláján feltüntetett kódokat.





ĎAKUJEME, ŽE STE SI KÚPILI VÝROBOK WHIRLPOOL.
Aby sme vám mohli lepšie poskytovať pomoc, zaregistrujte, prosím, svoj spotrebič na www.whirlpool.eu/register



Prv než spotrebič začnete používať, pozorne si prečítajte Bezpečnostné pokyny.



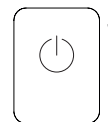
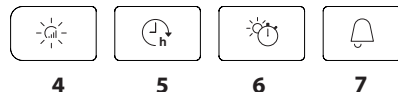
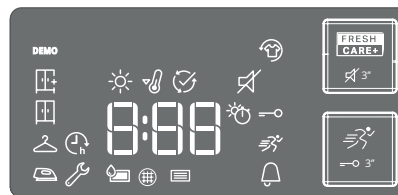
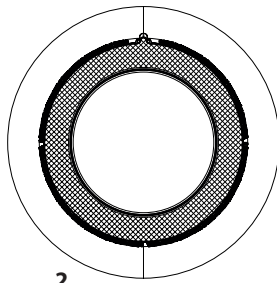
PRE ZÍSKANIE PODROBNEJŠÍCH INFORMÁCIÍ NASKENUJTE, PROSÍM, QR KÓD NA VAŠOM SPOTREBIČI.

OVLÁDACÍ PANEL

- 1 Tlačidlo „Zapnuté/Vypnuté“ („Reset“, ak ho stlačíte a podržíte)
- 2 Programátor
- 3 Štart/Pauza

Tlačidlá funkcií*

- 4 Nastaviť sušenie
- 5 Odložený štart
- 6 Časové sušenie
- 7 Koniec cyklu
- 8 Rýchly (Tlačidlá uzamknuté ak ho stlačíte a podržíte)
- 9 FreshCare+ (Stíšiť ak ho stlačíte a podržíte)



*Poznámka: na niektorých modeloch môže byť namiesto ikon použitý plný text.

UKAZOVATELE

Nastaviť sušenie: ☀ Na žehlenie - 👤 Na Ramienko - 📦 Do skrine - 📦 Extra suché

Fáza cyklu: ☀ Sušenie - 🌬 Ochladzovanie - 🕒 Koniec cyklu

Vyprázdniť zbernú nádobku na vodu - 🗑 Vyčistiť dverový filter - 📄 Vyčistiť spodný filter

Vyhľadajte časť Problémy a ich riešenie: 🛠 **Závada:** Zavolajte zákaznícky servis.

PRVÉ POUŽITIE

Uistite, že nádobka na vodu je vložená správne. Uistite sa, že hadička na odvod vody v zadnej časti sušičky je správne upevnená, buď k nádrži na vodu sušičky alebo k vášmu domácomu odpadovému systému. Sušička sa z dôvodu správneho fungovania musí nainštalovať v miestnosti s teplotou v rozsahu 5 °C až 35 °C. Pred použitím sušičky sa uistite, že stála vo zvislej polohe najmenej po dobu 6 hodín.

KAŽDODENNÉ POUŽÍVANIE

Ak sa budete riadiť týmito pokynmi, docielite MAXIMÁLNE výsledky:

- nezabudnite vyprázdniť nádržku na vodu po každom cykle sušenia.

- nezabudnite vyčistiť filtre po každom cykle sušenia.

Pozrite časť Starostlivosť a údržba.

1. Zapojte sušičku do elektrickej zásuvky.
2. Otvorte dverka a vložte bielizeň; vždy sa riadte pokynmi na visačkách odevov a maximálnou náplňou uvedenou v časti pre programy. Vyprázdniť vrecká. Dávajte pozor, aby sa odevy nezachytili medzi dverka a/alebo dverové filtre. Nevkladajte kusy, z ktorých kvapká voda. Nesušte v sušičke veľké objemné kusy. Na dosiahnutie optimálneho výsledku sušenia by sa odevy mali vkladať jeden po druhom.
3. Zatvorte dverka.
4. Stlačte tlačidlo "Zapnuté/Vypnuté".
5. Zvoľte najvhodnejší program pre typ tkaniny, ktorú vkladáte do sušičky.
6. V prípade potreby zvoľte prídavné funkcie.
7. Sušenie spustíte stlačením tlačidla "Štart/Pauza".
8. Na konci cyklu sušenia sa ozve bzučiak. Kontrolka na ovládacom paneli signalizuje koniec cyklu. Stlačením tlačidla "Zapnutie/Vypnutie" spotrebič vypnete, otvorte dverka a vytiahnite oblečenie ihneď, aby sa bielizeň nepokročila.

Ak spotrebič nevypnete manuálne, asi po štvrthodine od konca cyklu sa vypne automaticky, aby šetril energiu. Všimnite si, že niektoré modely vykonávajú záverečnú fázu s chladným bubnom, z tohto dôvodu tkaniny nemusia byť na pocit horúce. V prípade výpadku prúdu je potrebné stlačiť tlačidlo "Štart/Pauza", aby sa cyklus reštartoval.

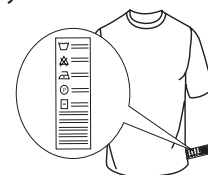
Otvorenie dveriek počas sušenia

Aby ste skontrolovali priebeh sušenia a vybrali už vysušené odevy, dverka bubnovej sušičky môžete kedykoľvek počas cyklu otvoriť. Keďže však otvorenie dveriek môže predĺžiť čas sušenia, odporúča sa nechať dverka počas celého cyklu zatvorené, aby sa ušetril čas a energia. Po zatvorení dveriek stlačte do 15 minút tlačidlo „Štart/Pauza“, aby ste obnovili prevádzku zariadenia.

VISAČKY

Skontrolujte visačky na prádle, hlavne v prípade prvého vloženia do sušičky. Nižšie sú uvedené najbežnejšie symboly:

- Môže byť vložené do sušičky.
- Nie je možné sušiť v sušičke.
- Vysušiť pri vysokej teplote.
- Vysušiť pri nízkej teplote.



PROGRAMY

Čas trvania týchto programov závisí od množstva náplne, od typu textilu, od rýchlosti otáčania odstredivky na vašej pračke a od prídavných funkcií, ktoré ste si naprogramovali.

U modelov s displejom sa čas trvania cyklov zobrazuje na ovládacom paneli. Čas zostávajúci do konca programu sa počas cyklu nepretržite monitoruje a aktualizuje, aby bol zobrazený odhad čo najpresnejší.

Možnosti použitia: Ak sú všetky vaše náplne pri automatických cykloch neustále menej suché alebo viac suché, ako by ste si želali, môžete zvýšiť alebo znížiť úroveň sušenia s využitím tejto špeciálnej možnosti.



Max. náplň*

Eco
Štandardný program pre bavlnu, vhodný na sušenie normálne mokrej bavlnenej bielizne. Z hľadiska spotreby energie je to najvhodnejší program na sušenie bavlnenej bielizne. Údaje na energetickom štítku vychádzajú z tohto programu.

POZNÁMKA: Aby bolo zaistené optimálne využitie energie, je tento cyklus v rámci východiskového nastavenia nastavený na úroveň „Sušenie na uloženie“. Pre vyšší stupeň usušenia odporúčame použiť cyklus Bavlna.



Bavlna

Max. náplň*

Cyklus vhodný na sušenie všetkých typov bavlnených odevov, ktoré môžete odložiť rovno do skrine.



Zmieš. Bielizeň kg 4

Toto je ideálny program na sušenie bavlny a syntetických materiálov spolu.



Postelňa bielizeň Max. náplň*

Sušenie bavlnenej postelnej bielizne.



Prikrývky

Sušenie veľkorozmerných kusov bielizne ako sú napríklad periny.



Košele kg 3

Program určený na sušenie košiel z bavlny alebo zmesi bavlny so syntetickými vláknami.



Džínsy kg 3

Na sušenie bavlnenej džínsoviny a odevov vyrobených z džínsoviny, ako sú nohavice a bundy.



Ľahké žehlenie

Tento cyklus uvoľňuje vlákna a vďaka tomu je žehlenie a skladanie ľahšie. Vhodné pre menšiu náplň vlhkých alebo suchých tkanín z bavlny a zmesi bavlny. Nepoužívajte na odevy, ktoré sú ešte vlhké.



Osvieženie

Krátky program určený na prevzdušenie vlákna a textílií studeným vzduchom. Nepoužívajte tento program na ešte mokré textílie. Môže sa používať s ľubovoľným objemom náplne, ale s malými náplňami je samozrejme účinnejší. Doba trvania programu je cca 20 minút.



Rýchly 30' kg 0.5

Sušenie bavlnených textílií po odstredení v pračke na vysokých otáčkach.



Šport kg 4

Na sušenie športového oblečenia vyrobeného zo syntetiky alebo bavlny.



Hodváb kg 0.5

Jemné sušenie hodvábných odevov.



Vlna kg 1

Sušenie vlnených textílií. Odporúča sa textílie pred sušením prevrátiť naruby. Najhrubšie okraje, ktoré budú ešte vlhké, nechajte voľne doschnúť.



Jemná bielizeň kg 2

Na sušenie jemnej bielizne, ktorá vyžaduje šetrné zaobchádzanie.



Syntetika kg 4

Na sušenie bielizne vyrobenej zo syntetických vlákien.

***MAX. NÁPLŇ 8 Kg (Dосуšenie bielizne)**

PRÍDAVNÉ FUNKCIE

Tieto tlačidlá vám umožňujú prispôbovať zvolený program podľa vašich požiadaviek.

Nie všetky prídavné funkcie sú dostupné pri všetkých programoch. Niektoré prídavné funkcie nemusia byť kompatibilné s tými, ktoré ste predtým nastavili; v takom prípade vás upozorní bzučiac a/alebo blikajúce kontrolky. Ak je prídavná funkcia k dispozícii, jej kontrolka zostane svietiť. Program si môže uchovať niektoré prídavné funkcie zvolené pri predchádzajúcom cykle sušenia.

Nastaviť sušenie

Stláčajte opakovane príslušné tlačidlo, kým sa neobjaví požadovaná miera zostatkovej vlhkosti bielizne. Ukazovateľ ukazuje práve vybraný stupeň usušenia.

Na žehlenie: veľmi jemné sušenie. Veci sa budú dať ľahšie žehliť hneď po skončení cyklu.

Na ramienko: stupeň usušenia určený pre jemné textílie, ktoré sa po sušení zavesia.

Do skrine: bielizeň bude pripravená na poskladanie a uloženie do skrine.

Extra suché: určené pre textílie, ktoré sa hneď po usušení oblečú.

Časové sušenie

Táto funkcia ponúka možnosť zvoliť si, ako dlho bude trvať sušenie. Stláčajte opakovane príslušné tlačidlo, kým sa neobjaví požadovaný čas trvania sušenia. Ukazovateľ na ovládacom paneli ukazuje čas, ktorý je práve zadávané.

Odložený štart

Táto funkcia ponúka možnosť odložiť začiatok cyklu. Stláčajte opakovane príslušné tlačidlo, kým sa neobjaví požadovaný čas odkladu. Keď dosiahnete maximálny možný čas, ďalším stlačením tlačidla sa celé nastavenie zruší. Ukazovateľ na ovládacom paneli ukazuje čas, ktorý je práve zadávané. Po stlačení tlačidla Štart/Pauza: stroj signalizuje čas, ktorý zostáva do spustenia cyklu. Ak sa otvorí dvierka, po ich opätovnom zatvorení musíte opäť stlačiť tlačidlo Štart/Pauza.

Rýchly

Umožňuje rýchlejšie sušenie.

FreshCare+

Ak bielizeň po skončení cyklu zostane v bubne, môžu sa v nej rozmnožovať baktérie. Táto prídavná funkcia pomáha zabrániť tomu reguláciou teploty a jemným otáčaním bubna. Môže to trvať približne 6 hodín po skončení cyklu. Toto nastavenie zostane v pamäti z predchádzajúceho cyklu. Ak sa používa spolu s funkciou Odložený štart, počas tejto fázy sa vykoná úprava pokrčenia pravidelným otáčaním bubna.

Tlačidlá uzamknuté

Táto funkcia ponúka možnosť vypnúť všetky ovládače stroja okrem tlačidla "Zapnuté/Vypnuté".

Zapnutý stroj:

- na aktiváciu funkcie je treba podržať stlačené tlačidlo dovtedy, kým zariadenie neoznámi jej aktiváciu.
- na deaktiváciu funkcie je treba podržať tlačidlo stlačené dovtedy, kým zariadenie neoznámi jej deaktiváciu.

Ak bola táto funkcia zvolená pre predchádzajúce sušenie, zostáva v pamäti.

Koniec cyklu

Táto funkcia ponúka možnosť predĺžiť zvukové znamenie ohlasujúce ukončenie pracovného cyklu. Používa sa vtedy, ak je obava, že štandardný bzučiac na konci cyklu nebude počuť. Ak bola táto možnosť zvolená pre predchádzajúce sušenie, zostáva v pamäti.

Stíšiť

Táto funkcia ponúka možnosť vypnúť zvukovú signalizáciu na ovládacom paneli. Hlásenia porúch zostanú naďalej aktívne.

- pre aktiváciu tejto možnosti podržte tlačidlo stlačené dovtedy, kým sa nerozsvieti príslušný ukazovateľ.
- pre deaktiváciu tejto možnosti podržte tlačidlo stlačené dovtedy, kým príslušný ukazovateľ nezhasne.

ČISTENIE A ÚDRŽBA

UPOZORNENIE: počas čistenia a údržby odpojte sušičku z elektrickej zástrčky.

🚰 Vyprázdnenie zbernej nádoby na vodu po každom cykle (viď obrázok A).

Vyťahnite nádobku zo sušičky a vyprázdňte ju do umývadla alebo do iného vhodného odtoku; následne nádobku založte na miesto. Sušičku nikdy nepoužívajte bez zbernej nádoby.

🌀 Čistenie dverového filtra po každom cykle (viď obrázky B).

Vyťahnite filter a vyčistite jeho plochy od usadenín pod tečúcou vodou alebo pomocou vysávača. Za účelom optimálneho výkonu vysušte všetky filtre skôr, ako ich vložíte naspäť na svoje miesto. **Sušičku nikdy nepoužívajte bez nasadeného filtra.**

Ako vyťahnúť dverový filter:

1. Otvorte dvierka a vyťahnite filter smerom hore.
2. Otvorte filter a očistite všetky jeho časti od usadenín. Nasadzte filter späť na miesto; uistite sa, či je zasunutý až na doraz s tesnením sušičky.

📄 Čistenie spodného filtra po rozsvietení príslušného ukazovateľa (viď obrázky C).

Vyťahnite filter a vyčistite jeho plochy od usadenín pod tečúcou vodou alebo pomocou vysávača. Odporúča sa čistiť tento filter po každom cykle, aby bol sušiaci výkon optimálny. Za účelom optimálneho výkonu vysušte všetky filtre skôr, ako ich vložíte naspäť na svoje miesto. **Sušičku nikdy nepoužívajte bez nasadeného filtera.**

Ako vyťahnúť spodný filter:

- C1. Otvorte spodný kryt; Chyťte rukoväť a vyťahnite filter.
- C2. Otvorte zadnú stenu filtra a odstráňte prípadné usadeniny z vnútornej plochy sieťky.
- C3/C4. Každý mesiac skontrolujte spodnú filtračnú komoru. Ak sa na kovových rebrách nahromadia zvyšky textilných vlákien, vyčistite ich vysávačom pomocou hubice s kefkou. Je veľmi dôležité vykonávať vertikálne pohyby. Ak sa pokúsíte vyčistiť komponent v horizontálnom smere, môžete ho poškodiť. Vyhňte sa priamemu kontaktu ruky s rebrami – hrozí porezanie.
- C5. Zatvorte zadnú stranu filtra, vložte ho na miesto a skontrolujte, či dôkladne zapadol na svoje miesto. Potom spustíte rukoväť filtra.
- C6. Zatvorte spodný kryt.

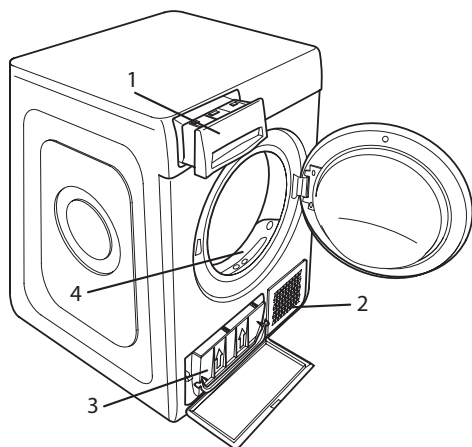
Skontrolujte, či je voľný prívod otvor pre nasávanie vzduchu.

Filtre majú pre priebeh sušenia zásadný význam. Ich úlohou je zachytiť usadeniny, ktoré sa vytvárajú počas sušenia. Upchatie filtrov by znamenalo vážnu prekážku pre prúdenie vzduchu sušičkou; viedlo by to k predĺženiu časov sušenia, vyššej spotrebe energie a možnému poškodeniu sušičky. Ak by sa tieto operácie nevykonávali správnym spôsobom, mohlo by to viesť k problémom s uvedením sušičky do chodu.

POZNÁMKA: Po vyčistení filtrov zostane svietiť príslušný indikátor; toto je normálne a zhasne po spustení nového cyklu sušenia.

OPIS SPOTREBIČA

1. Nádobka na vodu
2. Otvor pre nasávanie vzduchu
3. Spodný filter
4. Dverový filter



PREPRAVA A MANIPULÁCIA

Sušičku nikdy nedvíhajte držiac ju za vrchnú časť.

1. Odpojte sušičku od prúdu.
2. Úplne odstráňte vodu z nádržky na vodu.
3. Presvedčte sa, či sú dvierka a nádržka na vodu poriadne zatvorené.
4. Ak je odtoková hadica pripojená ku kanalizácii, znovu pripevnite odtokovú hadicu na zadnú stranu sušičky (pozri Návod na inštaláciu).

Čistenie sušičky

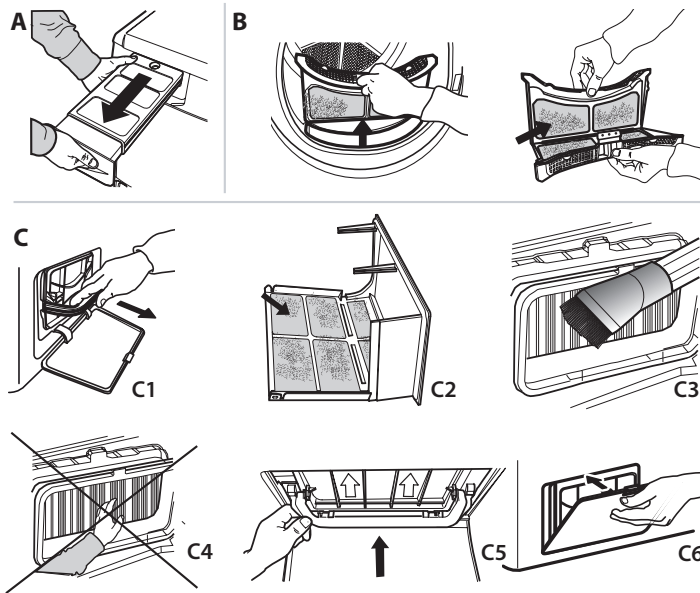
- Vonkajšie kovové, plastové a gumené časti možno vyčistiť vlhkou handričkou.
- Pravidelne čistite mriežku na prednom vstupe vzduchu (každých 6 mesiacov) vysávačom, aby ste odstránili usadené vlákna, chumáče a prach. Okrem toho vysávačom často odstraňujte usadené vlákna z oblasti filtra.
- Nepoužívajte rozpúšťadlá ani drsné prostriedky.

Spotreba energie			
Vypnutý stav (Po) - Wattov			0.50
Zapnutý stav (Pi) - Wattov			2.00
Programy	Kg	kWh	Minúty
Eco* □	8	1.42	165
Eco □	4	0.78	96
Syntetika	4	0.94	113

*Je to program, na základe ktorého boli stanovené údaje na energetickom štítku; je vhodný na sušenie bežnej bavlnenej bielizne. Z hľadiska spotreby energií je to najúčinnjší program na sušenie bavlnených textílií. (Štandardné východiskové nastavenie).

Inštalácia s tepelným čerpadlom

V tepelnom čerpadle sa používajú skleníkové plyny, ktoré sa nachádzajú v hermeticky izolovanej jednotke. V hermeticky izolovanej jednotke sa nachádza 0.43 kg plynu R134a. GWP = 1430 (1 t CO₂).



V prípade poruchy si skôr, než sa obrátite na servis zákazníckej podpory, preštudujte nasledujúcu tabuľku. Závady sú často veľmi banálne a na ich vyriešenie stačí niekoľko minút.

Závaďa	Možná príčina	Riešenie
Sušenie trvá veľmi dlho.	Nebola vykonaná predpísaná údržba.	Vyhľadajte časť čistenie a údržba a vykonajte všetky predpísané práce.
	Textílie sú príliš mokré.	Nechajte prebehnúť prací cyklus s vysokými otáčkami odstredivky, aby sa textil zbavil čo najväčšieho množstva vody.
	Izbová teplota.	Čas sušenia môže byť dlhší, ak sa izbová teplota dostane mimo rozsahu 14 až 30 °C.
	Zvolený program, čas sušenia a/alebo stupeň usušenia nie sú vhodné pre typ textílií, ktoré sú naložené do sušičky alebo pre naložené množstvo textílií.	Vyhľadajte časť Programy a prídavné funkcie, kde si nájdete najvhodnejší program a možnosti pre textílie v sušičke.
	Sušička môže byť preťažená.	Vyhľadajte časť Programy, kde si overíte, aká je maximálna prípustná hmotnosť náplne pre jednotlivé programy.
Sušičku nie je možné zapnúť.	Nebolo stlačené tlačidlo Zapnuté/Vypnuté.	Stlačte tlačidlo Zapnuté/Vypnuté.
	Zástrčka nie je zapojená do elektrickej zásuvky.	Zapojte zástrčku do elektrickej zásuvky.
	Elektrická zásuvka je vadná.	Skúste zapojiť do danej elektrickej zásuvky iný elektrospotrebič. Nepoužívajte prepojovacie elektrické zariadenia ako sú adaptéry alebo predlžovačky.
	Došlo k prerušeniu dodávky elektrického prúdu.	Počkajte na obnovu dodávky energie a v prípade potreby znova zapnite poistku.
Sušička nechce spustiť program.	Dvierka nie sú správne zatvorené.	Zatvorte dvierka.
	Je naprogramovaný časový odklad spustenia cyklu.	Ak je sušička vybavená touto funkciou, počkajte, až uplynie naprogramovaný čas odkladu alebo sušičku vypnite a znova zapnite, aby sa zresetovala. Vyhľadajte časť Prídavné funkcie.
	Nestlačili ste tlačidlo Štart/Pauza pre spustenie programu.	Stlačte tlačidlo Štart/Pauza.
	Ak je stroj vybavený funkciou Uzamknutie tlačidiel, je aktivovaná táto funkcia.	Pozri časť Prídavné funkcie. Ak je zvolené uzamknutie, deaktivujte ho. Vypnutie prístroja túto funkciu nedeaktivuje.
Odevy sú po dokončení cyklu vlhké.	Malá náplň.	Automatický program nedetegoval požadovanú konečnú vlhkosť a sušička program dokončí a zastaví sa. Pokiaľ k tomu dôjde, jednoducho vyberte ďalší krátky čas sušenia, prípadne vyberte možnosť „extra suché“, ak je táto možnosť k dispozícii.
	Veľká náplň alebo ťažšie tkaniny.	Úroveň sušenia možno upravovať podľa konkrétneho želaného vysušenia. Úroveň „Ext. suché do skrine“ sa odporúča pre konfekčné odevy.
	Cyklus sušenia bol pozastavený a potom sa do 15 minút znova neaktivoval, čo spôsobilo vypnutie zariadenia.	Cyklus sušenia sa musí nastaviť ešte raz a znova spustiť.
	Mohlo dôjsť k poruche napájania, ktorá spôsobila vypnutie stroja.	Cyklus sušenia sa musí nastaviť ešte raz a znova spustiť.
Svetelné ukazovatele		
Zberná nádobka na vodu	Zberná nádobka je plná.	Vyprázdňte zbernú nádobku. Vyhľadajte časť čistenie a údržba.
Dverový filter	Porucha prúdenia vzduchu potrebného pre činnosť zariadenia.	Vyčistite dverový filter a skontrolujte, či je voľný prívod otvor pre nasávanie vzduchu. Ak by sa tieto operácie nevykonávali správnym spôsobom, mohlo by to viesť k poškodeniu sušičky. Vyhľadajte časť Čistenie a údržba.
Spodný filter*	Spodný filter sa musí vyčistiť.	Vyčistite spodný filter. Vyhľadajte časť čistenie a údržba.
Symbol anglického kľúča znamená výskyt poruchy.	Snímače na stroji zaznamenali poruchu.	Vypnite sušičku a odpojte ju od elektrickej siete. Ihneď otvorte dvierka a vyložte bielizeň, aby sa rozptýlilo nahromadené teplo. Počkajte asi 15 minút. Opäť pripojte sušičku k elektrickej sieti, naložte do nej bielizeň a znova spustíte cyklus sušenia. Ak problém pretrváva, kontaktujte servis zákazníckej podpory a poskytnite im abecedno-číslkové kódy, ktoré blikajú na displeji. Príklad: F3 a E2.

*Poznámka: Niektoré modely sú samočistiace; nie sú vybavené spodným filtrom, vyhľadajte časť čistenie a údržba.

Firemné zásady, štandardnú dokumentáciu, objednávanie náhradných dielov a ďalšie informácie o produkte nájdete na:

- Použitie QR kódu vo vašom spotrebiči
- Návšteva našej webovej stránky docs.whirlpool.eu a parts-selfservice.whirlpool.com
- Prípadne **sa obráťte na náš popredajný servis** (Telefónne číslo nájdete v záručnej knižke). Pri kontaktovaní nášho popredajného servisu uveďte, prosím, kódy z výrobného štítku vášho spotrebiča.

