

SAFETY INSTRUCTIONS

Download the complete instruction manual on <http://docs.whirlpool.eu> or call the phone number shown on the warranty booklet.

Before using the appliance, read these safety instructions. Keep them nearby for future reference.

These instructions and the appliance itself provide important safety warnings, to be observed at all times. The manufacturer declines any liability for failure to observe these safety instructions, for inappropriate use of the appliance or incorrect setting of controls.

⚠ **WARNING:** If the hob surface is cracked, do not use the appliance - risk of electric shock.

⚠ **WARNING:** Danger of fire: Do not store items on the cooking surfaces.

⚠ **CAUTION:** The cooking process has to be supervised. A short cooking process has to be supervised continuously.

⚠ **WARNING:** Unattended cooking on a hob with fat or oil can be dangerous - risk of fire. NEVER try to extinguish a fire with water: instead, switch off the appliance and then cover flame e.g. with a lid or a fire blanket.

⚠ Do not use the hob as a work surface or support. Keep clothes or other flammable materials away from the appliance, until all the components have cooled down completely - risk of fire.

⚠ Very young children (0-3 years) should be kept away from the appliance. Young children (3-8 years) should be kept away from the appliance unless continuously supervised. Children from 8 years old and above and persons with reduced physical, sensory or mental capabilities or lack of experience and knowledge can use this appliance only if they are supervised or have been given instructions on safe use and understand the hazards involved. Children must not play with the appliance. Cleaning and user maintenance must not be carried out by children without supervision.

⚠ **WARNING:** The appliance and its accessible parts become hot during use. Care should be taken to avoid touching heating elements. Children less than 8 years of age shall be kept away unless continuously supervised.

PERMITTED USE

⚠ **CAUTION:** the appliance is not intended to be operated by means of an external switching device, such as a timer, or separate remote controlled system.

⚠ This appliance is intended to be used in household and similar applications such as: staff kitchen areas in shops, offices and other working environments; farm houses; by clients in hotels, motels, bed & breakfast and other residential environments.

⚠ No other use is permitted (e.g. heating rooms).

⚠ This appliance is not for professional use. Do not use the appliance outdoors.

INSTALLATION

⚠ The appliance must be handled and installed by two or more persons - risk of injury. Use protective gloves to unpack and install - risk of cuts.

IMPORTANT TO BE READ AND OBSERVED

⚠ Installation, including water supply (if any), electrical connections and repairs must be carried out by a qualified technician. Do not repair or replace any part of the appliance unless specifically stated in the user manual. Keep children away from the installation site. After unpacking the appliance, make sure that it has not been damaged during transport. In the event of problems, contact the dealer or your nearest After-sales Service. Once installed, packaging waste (plastic, styrofoam parts etc.) must be stored out of reach of children - risk of suffocation. The appliance must be disconnected from the power supply before any installation operation - risk of electric shock. During installation, make sure the appliance does not damage the power cable - risk of fire or electric shock. Only activate the appliance when the installation has been completed.

⚠ Carry out all cabinet cutting operations before fitting the appliance and remove all wood chips and sawdust.

⚠ If the appliance is not installed above an oven, a separator panel (not included) must be installed in the compartment under the appliance.

ELECTRICAL WARNINGS

⚠ It must be possible to disconnect the appliance from the power supply by unplugging it if plug is accessible, or by a multi-pole switch installed upstream of the socket in accordance with the wiring rules and the appliance must be earthed in conformity with national electrical safety standards.

⚠ Do not use extension leads, multiple sockets or adapters. The electrical components must not be accessible to the user after installation. Do not use the appliance when you are wet or barefoot. Do not operate this appliance if it has a damaged power cable or plug, if it is not working properly, or if it has been damaged or dropped.

⚠ Installation using a power cable plug is not allowed unless the product is already equipped with the one provided by the Manufacturer.


⚠ If the supply cord is damaged, it must be replaced with an identical one by the manufacturer, its service agent or similarly qualified persons in order to avoid a hazard - risk of electric shock.

CLEANING AND MAINTENANCE

⚠ **WARNING:** Ensure that the appliance is switched off and disconnected from the power supply before performing any maintenance operation; never use steam cleaning equipment - risk of electric shock.

⚠ Do not use abrasive or corrosive products, chlorine-based cleaners or pan scourers.

DISPOSAL OF PACKAGING MATERIALS

The packaging material is 100% recyclable and is marked with the recycle symbol .


The various parts of the packaging must therefore be disposed of responsibly and in full compliance with local authority regulations governing waste disposal.

DISPOSAL OF HOUSEHOLD APPLIANCES

This appliance is manufactured with recyclable or reusable materials. Dispose of it in accordance with local waste disposal regulations. For further information on the treatment, recovery and recycling of household electrical appliances, contact your local authority, the collection service for household

waste or the store where you purchased the appliance. This appliance is marked in compliance with European Directive 2012/19/EU, Waste Electrical and Electronic Equipment (WEEE) and with the Waste Electrical and Electronic Equipment regulations 2013 (as amended).

By ensuring this product is disposed of correctly, you will help prevent negative consequences for the environment and human health.

The symbol  on the product or on the accompanying documentation indicates that it should not be treated as domestic waste but must be taken to an appropriate collection center for the recycling of electrical and electronic equipment.

ENERGY SAVING TIPS

Make the most of your hot plate's residual heat by switching it off a few minutes before you finish cooking.

The base of your pot or pan should cover the hot plate completely; a container that is smaller than the hot plate will cause energy to be wasted.

Cover your pots and pans with tight-fitting lids while cooking and use as little water as possible. Cooking with the lid off will greatly increase energy consumption.

Use only flat-bottomed pots and pans.

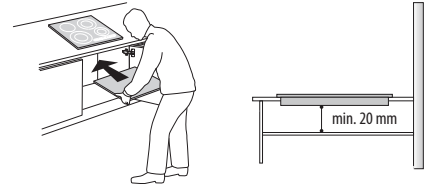
DECLARATION OF CONFORMITY

This appliance meets Ecodesign requirements of European Regulation 66/2014 and The Ecodesign for Energy-Related Products and Energy Information (Amendment) (EU Exit) Regulations 2019 in compliance with the European standard EN 60350-2.



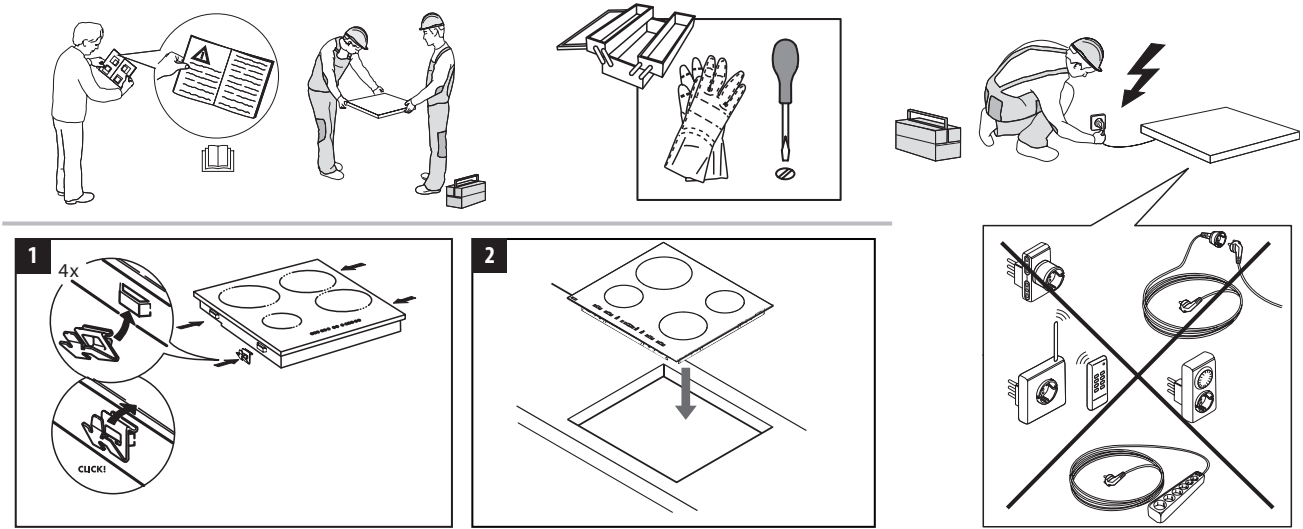
INSTALLATION

- The cooktop must be set into a worktop at least 20 mm deep.
- There must be nothing between the cooktop and the oven (cross rails, brackets, etc.).
- Make sure the power cord is long enough to allow convenient installation.
- The distance between the lower face of the glass ceramic hob and the cupboard or separating panel must be at least 20 mm.
- For built-in dimensions and installation see the picture in this paragraph.
- A minimum distance must be maintained between the hob and the hood above it. Please refer to the user manual of the hood for more informations.
- Apply the supplied gasket to the cooktop (unless it has already been fitted), after having cleaned its surface.
- **Do not install the cooktop near a dishwasher or washing machine, so that the electronic circuits do not come into contact with steam or moisture, which could damage them.**
- If an oven (from our range of ovens) is installed beneath the cooktop, make sure that it is equipped with a cooling system. If the temperature of the electronic circuits exceeds the maximum permitted temperature, the cooktop will switch off automatically; in this case, wait for a few minutes until the internal temperature of the electronic circuits reaches a tolerable level, at which point it will be possible to switch the hob on again.

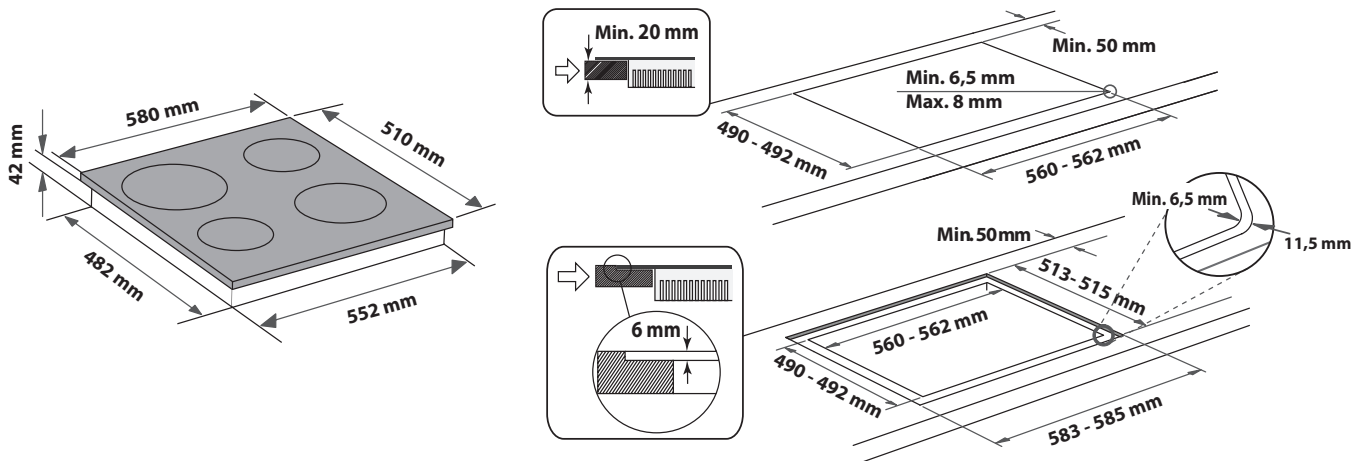
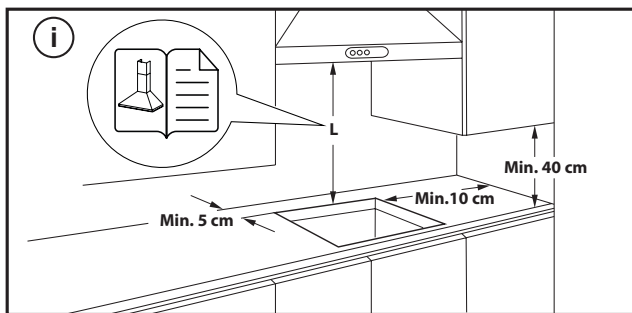


PLACING THE HOB

After the electrical connection (see the chapter "Electrical connection"). Position each fixing clips on the dedicated slots on the lateral sides of the hob as shown in the picture. Then push the hob inside the cut out and check that the glass is flat and parallel to the worktop. The fixing clips are designed for every type of worktop material (wood, marble, etc).



DIMENSIONS AND DISTANCES TO BE MAINTAINED



REMOVING THE HOB:

To remove the hob, first, disconnect it from the electric supply. It is strongly recommended to free the underneath part from the oven, drawer, separator, or other. It allows the technician to access the lower part of the hob to unfasten the four clips with a screwdriver, lift the hob and remove it, avoiding any worktop damage.

ELECTRICAL CONNECTION

Electrical connection must be made before connecting the appliance to the electricity supply.

The power cord is not included in the package - remember to prepare your own power cord.




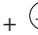
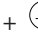
Installation must be carried out by qualified personnel who know the current safety and installation regulations. Specifically, installation must be carried out in compliance with the regulations of the local electricity supply company.

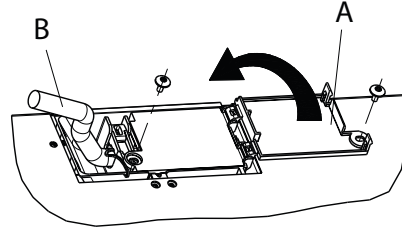
Make sure the voltage specified on the data plate located on the bottom of the appliance is the same as that of the home.

Regulations require that the appliance be earthed: use conductors (including the earth conductor) of the appropriate size only.

CONNECTION TO THE TERMINAL BLOCK

For the electrical connection, use an H05RR-F or H05V2V2-F cable as specified in the table below.

SUPPLY VOLTAGE	CONDUCTORS AMOUNT x SIZE
220-240V ~+ 	3 x 4 mm ²
230-240V ~+ 	3 x 4 mm ² (Australia only)
220-240V 3~+ 	4 x 1,5 mm ²
380-415V 3N~+ 	5 x 1,5 mm ²
380-425V 2N~+ 	4 x 1,5 mm ²



The appliance must be connected to the electricity supply by means of an all-pole disconnect switch with minimum contact gap of 3 mm.

ATTENTION: the power supply cable must be long enough to allow the cooktop to be removed from the worktop and must be positioned so as to avoid damage or overheating caused by contact with the base.

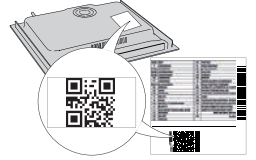
NOTE: the yellow/green earth wire must be connected to the terminal with the symbol  and must be longer than the other wires.

- Remove approx. 70 mm of the cable sheath from the power supply cable (B).
- Strip approx. 10 mm of sheath from the wires. Then insert the power supply cable into the cable clamp and connect the wires to the terminal block as indicated in the connection diagram placed close to the terminal block itself.
- Secure the power supply cable (B) by means of the cable clamp.
- Close the terminal board with the cover (A) securing it with the screw provided.
- After the electrical connection, fit the hob from the top and hook it to the support springs, according to the illustration.



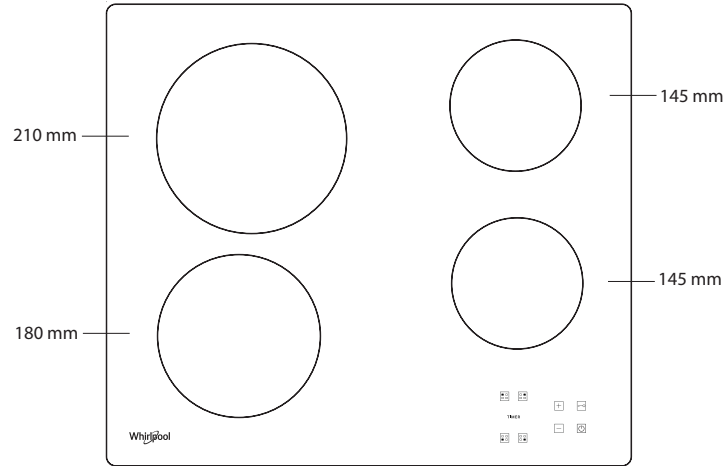
THANK YOU FOR BUYING A WHIRLPOOL PRODUCT
 In order to receive a more complete assistance, please register your product on www.whirlpool.eu/register.

PLEASE SCAN THE QR CODE ON YOUR APPLIANCE IN ORDER TO REACH MORE INFORMATION

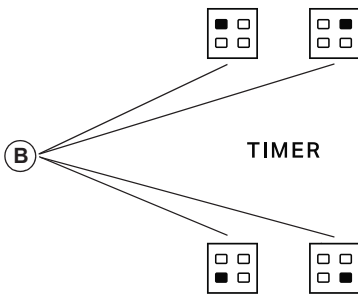


Before using the appliance carefully read the Safety Instruction.

PRODUCT DESCRIPTION



CONTROL PANEL



TIMER

- A** On/Off
- B** Cooking zone and timer selection
- C-E** Heat setting increase and decrease
- D** Key lock

FIRST TIME USE

Upon first installation, the control panel performs a functional test for about 1 second, after which it automatically switches to the "Key lock" function. To deactivate the function, press and hold button "D"; an acoustic signal will

sound and the corresponding led will turn off.

NOTE: If a reset occurs, repeat the procedure described above.

DAILY USE



SWITCHING THE HOB ON/OFF

To switch the hob on, keep button "A" pressed for approx. 2 seconds. The 4 cooking zone displays show "0". If within 20 seconds none of the cooking zones is activated, the hob switches off automatically as a safety precaution.

SWITCHING ON AND ADJUSTING COOKING ZONES

Press one of the buttons "B" corresponding to the cooking zone you intend to use. Select the heat setting required with buttons "E" or "C". The other selectable cooking settings go from 1 to 9. Press buttons "+/-" at the same time to cancel all settings.

IMPORTANT: the control is deactivated 10 seconds after the heat setting has been selected.

To change the heat setting, first press the selection button "B" again, then proceed to change the setting, using buttons "E" or "C".

TIMER

To set the Timer function, select the desired cooking zone and power setting then press the cooking zone key again and a luminous dot will appear on the display of the timer-controlled cooking zone. The indication "00" blinks on the 2 displays. Press buttons "C" or "E" to set the time from 1 to 99.

IMPORTANT: after 10 seconds the timer displays will show the power setting of the other cooking zones.

To view the remaining cooking time, press the timer-controlled cooking zone key twice.

A FUNCTION

This function allows to automatically decrease the cooking zone power level from the highest value (level 9) to the one selected by the user for a later stage of cooking.

To activate this function first press the "+" button when level 9 is reached. The display shows "A" and "9" flashes alternately with low brightness.

At this point, choose the desired power level (less than 9) with the “-” button. “A” and selected level flash alternately with low brightness on the display. The function is activated once “A” and the selected level flash alternately with high brightness on the display.

Once “A” is no longer visible on the display (the “A” function switches off automatically after several minutes, depending on the set power level), the cooking process continues with lower power and the display shows only the selected power level.

N.B.: this function is not possible with level 9.



KEY LOCK

The Key lock function is switched on by holding down button “D” until a dot lights up above the function button. The control panel is locked except for the switching-off function. The function remains on even after the hob is switched off and on again and can be deactivated by pressing button “D” again until the dot above the function button goes off.

When the hob is off with the key lock activated to switch the hob on, first deactivate the key lock function by pressing button “D” again until the dot above the function button goes off.

The presence of water, liquid spilled from pots or any objects resting on the controls can accidentally activate or deactivate the Key lock function.



RESIDUAL HEAT INDICATOR

When the cooking zone is switched off, the residual heat indicator “H” remains on or flashes alternating with “0” until the temperature of the hob returns within safety levels.

IMPORTANT: The hob’s safety features include an automatic switching off function. Prolonged use of the same heat setting triggers automatic switch-off of the cooking zone (for example, after around 1 hour at maximum heat setting, the cooking zone switches off).

IMPORTANT: To avoid a permanent damage the hob:

- do not use pots with bottoms that are not flat;
- do not use metal pots with enamelled bottom;
- do not place hot pots/pans over the control panel.

The hob is also equipped with the “auto shut off” function that switches off the cooking zone if no power level modification is done after a specific time frame depending on the power setting itself. In the table, there is the time duration of each power level.

POWER LEVEL	AUTO SHUT OFF TIME
0	30 seconds
1	10 hours
2	5 hours
3	5 hours
4	4 hours
5	3 hours
6	2 hours
7	2 hours
8	2 hours
9	1 hour

COOKING TABLE

POWER LEVEL		TYPE OF COOKING	LEVEL USE (indicating cooking experience and habits)
Maximum power	9	Boiling	Ideal for rapidly increasing the food temperature to fast boiling in the case of water or rapidly heating cooking liquids.
	9 – 8	Searing	Ideal for browning, starting to cook, frying frozen products, fast boiling.
High power	8 – 7	Browning – maintain boiling – grilling	Ideal for browning, maintaining a high boil, cooking, and grilling (short duration, 5-10 minutes).
	7 – 6	Frying – cooking – grilling	Ideal for maintaining a low boil, cooking and grilling (medium duration, 10-20 minutes), preheating, and frying.
Medium power	6 – 5	Gentle frying	Ideal for frying eggs, omelettes.
	5 – 4	Cooking – simmering – stewing	Ideal for prolonged cooking (rice, sauces, roasts, fish) with liquids (e.g., water, wine, broth, milk), creaming pasta.
	4 – 3	Thickening – creaming pasta	
Low power	2 – 1	Keeping food hot – creaming risottos	Ideal for keeping just-cooked food hot (e.g., sauces, soups, minestrone), creaming risottos and keeping serving dishes warm.
Minimum power	1	Defrosting	Ideal for defrosting small products and gently melting chocolate or butter.
Zero power	0	–	Hob in stand-by or off mode (possible end of cooking residual heat, indicated by an “H”).

CLEANING AND MAINTENANCE

⚠ Disconnect the appliance from the power supply.

- Do not use steam cleaning equipment.
- Do not use abrasive sponges or scouring pads as they may damage the glass.
- After each use, clean the hob (when it is cool) to remove any deposits and stains from food residue.

- Sugar or foods with a high sugar content can damage the hob and must be immediately removed.
- Salt, sugar and sand could scratch the glass surface.
- Use a soft cloth, absorbent kitchen paper or a specific hob cleaner (follow the Manufacturer’s instructions).
- Spills of liquid in the cooking zones can cause the pots to move or vibrate.
- After cleaning the hob, dry thoroughly.

TROUBLESHOOTING

If the hob does not operate correctly, before calling the After-Sales Service, refer to the Troubleshooting Guide to determine the problem.

- Read and follow the instructions given in the section "Daily use".
- Check that the electricity supply has not been shut off.
- Dry the hob thoroughly after cleaning it.
- If a cooking zone has been selected and an "F" or an "ER" appear on the display followed by a number, contact the After Sales Service and inform them.
- If the error code is "F03", "ER03" or "E02", try to solve it by following these instructions:
 - If the error "E02" appears, please make sure you haven't been pressing buttons for more than 5 seconds, no object is on the HMI area and that it's clean and dry - when cleaning, please follow the "Cleaning and Maintenance" paragraph.
 - If the error "F03" appears, try turning the cooktop off and on again.
 - If the error "F04" appears, contact After Sales Service and let them know which code is displayed.

- If the hob does not work following intensive use, the hob internal temperature is too high. Wait a few minutes until the hob cools down.
- If the heater is not continuously on but switches on and off cyclically even if on the display the power level does not change, this is part of the normal functioning of the hob. The on/off cycle allows the power regulation of the heater and is completely normal. In some cases, thermal protection could switch off the heater for some time to avoid glass damage. Examples of such cases are: cooking a long time at a high power level, using pots smaller than the heating element, and not flat-bottomed pots.
- If the hob is emitting a brief sound without the customer pressing any buttons, please take care of any liquid spills on the HMI. Please dry the HMI and continue using the hob. If the hob has been switched off automatically, it can be caused by a liquid presence on HMI. Please dry the HMI and switch the hob back on.

If after the above checks the fault still occurs, get in touch with the nearest After Sales Service.

AFTER-SALES SERVICE

To receive complete assistance, please register your product on www.whirlpool.eu/register.

BEFORE CALLING THE AFTER-SALES SERVICE:

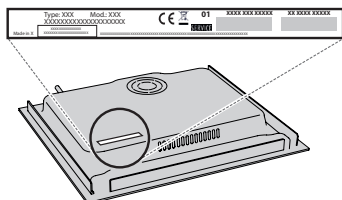
1. See if you can solve the problem by yourself with the help of the **TROUBLESHOOTING** suggestions.
2. Switch the appliance off and back on again to see if the fault persists.

IF AFTER THE ABOVE CHECKS THE FAULT STILL OCCURS, GET IN TOUCH WITH THE NEAREST AFTER-SALES SERVICE.

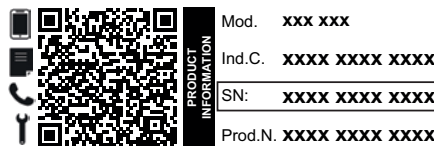
To receive assistance, call the number shown on the warranty booklet or follow the website's instructions on www.whirlpool.eu.

When contacting our Client After sales service, always specify:

- a brief description of the fault;
- the type and exact model of the appliance;



- the serial number (number after the word SN on the rating plate located under the appliance). The serial number is also indicated in the documentation;



- your full address;
- your telephone number.

If any repairs are required, please contact an authorized after-sales service (to guarantee that original spare parts will be used and repairs carried out correctly).

Policies, standard documentation and additional product information can be found by:

- Using QR code in your appliance;
- Visiting our website docs.whirlpool.eu;
- Alternatively, **contact our After-sales Service** (See phone number in the warranty booklet). When contacting our After-sales Service, please state the codes provided on your product's identification plate.



Laden Sie die vollständige Bedienungsanleitung auf <http://docs.whirlpool.eu> herunter oder rufen Sie die Telefonnummer, die im Garantieheft angegeben ist, an.

Diese Sicherheitsanweisungen vor dem Gebrauch durchlesen. Diese Anweisungen zum Nachschlagen leicht zugänglich aufbewahren.

In diesen Anweisungen sowie auf dem Gerät selbst werden wichtige Sicherheitshinweise angegeben, die durchgelesen und stets beachtet werden müssen. Der Hersteller übernimmt keine Haftung für die Nichtbeachtung dieser Sicherheitshinweise, für unsachgemäße Verwendung des Geräts oder falsche Bedienungseinstellung.

⚠ **WARNUNG:** Wenn die Kochfeldoberfläche rissig ist, das Gerät nicht verwenden - Stromschlaggefahr.

⚠ **WARNUNG:** Brandgefahr: Lagern Sie nichts auf der Kochoberfläche.

⚠ **VORSICHT:** Das Garverfahren muss überwacht werden. Ein kurzes Garverfahren muss kontinuierlich überwacht werden.

⚠ **WARNUNG:** Unbeaufsichtigtes Garen mit Fett oder Öl auf einem Kochfeld kann gefährlich sein - Brandgefahr. NIEMALS versuchen, das Feuer mit Wasser zu löschen: Stattdessen das Gerät ausschalten und dann die Flamme zum Beispiel mit einem Deckel oder einer Löschdecke abdecken.

⚠ Benutzen Sie die Kochmulde nicht als Arbeitsfläche oder Ablage. Kleidung oder andere brennbare Materialien vom Gerät fernhalten, bis alle Komponenten vollständig abgekühlt sind - Brandgefahr.

⚠ Babys und Kleinkinder (0-3 Jahre) müssen vom Gerät fern gehalten werden. Jüngere Kinder (3-8 Jahre) müssen vom Gerät fern gehalten werden, es sei denn, sie werden ständig beaufsichtigt. Dieses Gerät darf von Kindern ab 8 Jahren sowie Personen mit herabgesetzten physischen, sensorischen oder geistigen Fähigkeiten und Mangel an Erfahrung und Kenntnissen nur unter Aufsicht oder nach ausreichender Einweisung durch eine für ihre Sicherheit verantwortliche Person verwendet werden. Kinder dürfen nicht mit dem Gerät spielen. Die Reinigung und Pflege des Geräts darf von Kindern nicht ohne Aufsicht durchgeführt werden.

⚠ **WARNUNG:** Das Gerät und die zugänglichen Teile werden bei der Benutzung heiß. Berühren Sie die Heizelemente nicht. Kinder unter 8 Jahren dürfen sich dem Gerät nur unter Aufsicht nähern.

ZULÄSSIGE NUTZUNG

⚠ **VORSICHT:** Das Gerät ist nicht für den Betrieb mit einer externen Schaltungsvorrichtung, z. B. einem Timer oder einer separaten Fernbedienung, ausgelegt.

⚠ Dieses Gerät ist für Haushaltsanwendungen und ähnliche Anwendungen konzipiert, zum Beispiel: Mitarbeiterküchen im Einzelhandel, in Büros oder in anderen Arbeitsbereichen; Gasthäuser; für Gäste in Hotels, Motels, Bed-and-Breakfast-Anwendungen und anderen Wohnumgebungen.

⚠ Jegliche andere Art der Nutzung (z. B. Aufheizen von Räumen) ist untersagt.

⚠ Dieses Gerät eignet sich nicht für den professionellen Einsatz. Das Gerät ist nicht für die Benutzung im Freien geeignet.

INSTALLATION

⚠ Zum Transport und zur Installation des Gerätes sind zwei oder mehrere Personen erforderlich - Verletzungsgefahr. Schutzhandschuhe zum Auspacken und zur Installation verwenden - Risiko von Schnittverletzungen.

⚠ Die Installation, einschließlich der Wasserversorgung (falls vorhanden) und elektrische Anschlüsse und Reparaturen müssen von einem qualifizierten Techniker durchgeführt werden. Reparieren Sie das Gerät nicht selbst und tauschen Sie keine Teile aus, wenn dies vom Bedienungshandbuch nicht ausdrücklich vorgesehen ist. Kinder vom Installationsort fern halten. Prüfen Sie das Gerät nach dem Auspacken auf Transportschäden. Bei auftretenden Problemen wenden Sie sich bitte an Ihren Händler oder den Kundenservice. Nach der Installation müssen Verpackungsabfälle (Kunststoff, Styroportteile usw.) außerhalb der Reichweite von Kindern aufbewahrt werden - Erstickungsgefahr. Das Gerät vor Installationsarbeiten von der Stromversorgung trennen - Stromschlaggefahr. Während der Installation sicherstellen, das Netzkabel nicht mit dem Gerät selbst zu beschädigen - Brand- oder Stromschlaggefahr. Das Gerät erst starten, wenn die Installationsarbeiten abgeschlossen sind.

⚠ Den Unterbauschrank vor dem Einschleiben des Geräts auf das Einbaumaß zurechtschneiden und alle Sägespäne und Schnittreste entfernen.

⚠ Wenn das Gerät nicht über einem Ofen installiert ist, muss eine Trennplatte (nicht inbegriffen) in dem Fach unter dem Gerät installiert werden.

HINWEISE ZUR ELEKTRIK

⚠ Es muss gemäß den Verdrahtungsregeln möglich sein, den Netzstecker des Gerätes zu ziehen, oder es mit einem Trennschalter, welcher der Steckdose vorgeschaltet ist, auszuschalten. Das Gerät muss im Einklang mit den nationalen elektrischen Sicherheitsbestimmungen geerdet sein.


⚠ Verwenden Sie keine Verlängerungskabel, Mehrfachstecker oder Adapter. Nach der Installation dürfen Stromführende Teile für den Benutzer nicht mehr zugänglich sein. Das Gerät nicht in nassem Zustand oder barfuß verwenden. Das Gerät nicht verwenden, wenn das Netzkabel oder der Stecker beschädigt sind, wenn es nicht einwandfrei funktioniert, wenn es heruntergefallen ist oder in irgendeiner Weise beschädigt wurde.

⚠ Die Installation mit einem Netzkabelstecker ist nicht zulässig, es sei denn, das Produkt ist bereits mit dem vom Hersteller gelieferten Stecker ausgestattet.

⚠ Wenn das Netzkabel beschädigt ist, muss es aus Sicherheitsgründen vom Hersteller, von seinem Kundendienstvertreter oder einer ähnlich qualifizierten


Fachkraft mit einem identischen Kabel ersetzt werden - Stromschlaggefahr.

REINIGUNG UND WARTUNG

 **WARNUNG:** Vor der Durchführung von Wartungsarbeiten, sicherstellen, dass das Gerät ausgeschaltet und von der Stromversorgung getrennt ist. Verwenden Sie niemals Dampfreiniger - Stromschlaggefahr.

 Verwenden Sie keine Scheuermittel oder korrosiven Produkte, Reinigungsmittel auf Chlorbasis oder Topfreiniger.

ENTSORGUNG VON VERPACKUNGSMATERIALIEN


Das Verpackungsmaterial ist zu 100 % wiederverwertbar und trägt das Recycling-Symbol .

Werfen Sie das Verpackungsmaterial deshalb nicht einfach fort, sondern entsorgen Sie es gemäß den geltenden örtlichen Vorschriften.

ENTSORGUNG VON HAUSHALTSGERÄTEN

Dieses Gerät wurde aus recycelbaren oder wiederverwendbaren Werkstoffen hergestellt. Entsorgen Sie das Gerät im Einklang mit den lokalen Vorschriften zur Abfallbeseitigung. Genauere Informationen zu Behandlung, Entsorgung und Recycling von elektrischen Haushaltsgeräten erhalten Sie bei Ihrer örtlichen Behörde, der Müllabfuhr oder dem Händler, bei dem Sie das Gerät gekauft haben. Dieses Gerät ist in Übereinstimmung mit der Europäischen Richtlinie 2012/19/EU über Elektro- und Elektronik-Altgeräte (WEEE) und den Verordnungen zur Entsorgung von Elektro- und Elektronikgeräten 2013 (in der jeweils gültigen Fassung) gekennzeichnet.

Durch eine vorschriftsmäßige Entsorgung tragen Sie zum Umweltschutz bei und vermeiden Unfallgefahren, die bei einer unsachgemäßen Entsorgung des Produktes entstehen können.

Das Symbol  auf dem Gerät bzw. auf dem beiliegenden Informationsmaterial weist darauf hin, dass dieses Gerät kein normaler Haushaltsabfall ist, sondern in einer Sammelstelle für Elektro- und Elektronik-Altgeräte entsorgt werden muss.

Für Deutschland regelt das Elektroggesetz die Rückgabe von Elektrogeräten noch weitreichender.

Altgeräte können kostenfrei im lokalen Wertstoff- oder Recyclinghof abgegeben werden.

Das Gesetz sieht weitere kostenfreie Rückgabemöglichkeiten für Elektro- und Elektronik-Altgeräte im Handel vor:

- Für Produkte, die sie direkt bezogen haben, bieten wir die optionale Rücknahme ihres Altgerätes bei Anlieferung des neuen Gerätes durch den Spediteur.
- Rückgabe in Elektrofachmärkten mit einer Verkaufsfläche von mindestens 400m².
- Rückgabe in Lebensmittelmärkten mit einer Verkaufsfläche von mindestens 800m², wenn diese regelmäßig Elektrogeräte zum Kauf anbieten.
- Rücknahmen über den Versandhandel.

Für Haushaltsgroßgeräte mit einer Kantenlänge über 25cm gilt eine 1:1 Rücknahme – sie können bei Neukauf ein Altgerät der gleichen Art zurückgeben. Für Kleingeräte mit einer Kantenlänge bis 25cm besteht auch eine 0:1 Rücknahmepflicht – die Rückgabe von Geräten ist nicht an einen Neukauf gebunden.

Bitte löschen sie personenbezogene Daten auf geräte-internen Datenträgern, bevor sie das Gerät entsorgen. Sie sind verpflichtet Leuchtmittel; Batterien und Akkumulatoren getrennt zu entsorgen, sofern diese zerstörungsfrei aus dem Gerät entnehmbar sind.

ENERGIESPARTIPPS

Nutzen Sie die Restwärme Ihrer heißen Platte, indem Sie sie einige Minuten ausschalten, bevor Sie mit dem Garen fertig sind.

Der Boden der Pfanne oder des Topfes sollte die heiße Kochplatte vollständig abdecken; Ein Behälter, der kleiner als die heiße Platte ist, führt zu Energieverlust. Decken Sie während dem Garen Ihre Töpfe und Pfannen mit dichten Deckeln ab und verwenden Sie so wenig Wasser wie möglich. Garen ohne Deckel erhöht den Energieverbrauch stark.

Verwenden Sie nur Töpfe und Pfannen mit flachem Boden.

KONFORMITÄTSERKLÄRUNG

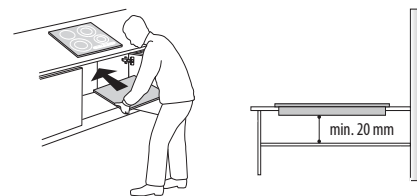
Dieses Gerät entspricht den Ökodesign-Anforderungen von Verordnung (EU) Nr. 66/2014 und den Ecodesign for Energy-Related Products and Energy Information (Amendment) (EU Exit) Regulations 2019 in Einklang mit der Europäischen Norm EN 60350-2.



INSTALLATION

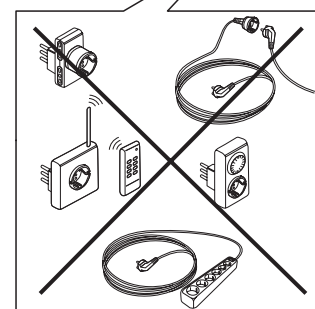
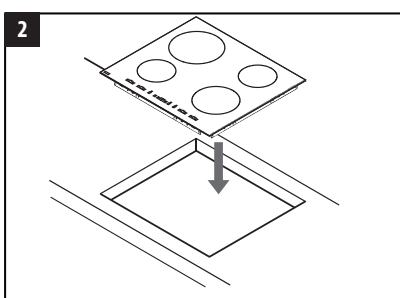
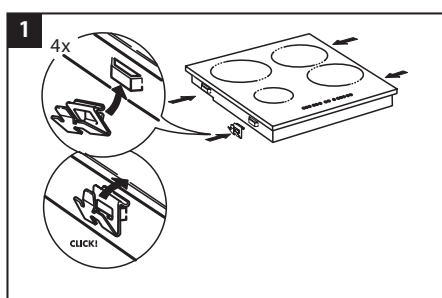
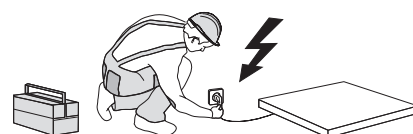
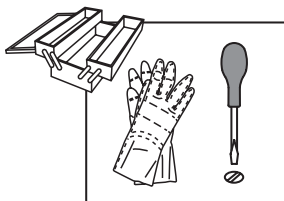
Das Kochfeld muss in eine mindestens 20 mm tiefe Arbeitsplatte eingelassen werden.

- Zwischen Kochmulde und Ofen dürfen keine Querschienen, Winkel usw. sein.
- Stellen Sie sicher, dass das Netzkabel lang genug ist, um eine bequeme Installation zu ermöglichen.
- Der Abstand zwischen der Unterseite des Glaskeramik-Kochfelds und Unterschrank oder Trennwand muss mindestens 20 mm betragen.
- Für Abmessungen und Installation der Einbauversion, siehe das Bild in diesem Abschnitt.
- Zwischen dem Kochfeld und der darüber liegenden Dunstabzugshaube muss ein Mindestabstand eingehalten werden. Weitere Informationen finden Sie im Benutzerhandbuch der Dunstabzugshaube.
- Setzen Sie das mitgelieferte Dichtungsprofil (falls es noch nicht eingesetzt ist) ein, nachdem Sie die Oberfläche des Kochfelds wie in der Abbildung gezeigt sorgfältig gesäubert haben.
- Bauen Sie das Kochfeld nicht neben einer Spül- oder Waschmaschine ein, damit die elektronischen Stromkreise nicht mit Dampf oder Feuchtigkeit in Berührung kommen, wodurch sie beschädigt werden könnten.
- Wenn ein Ofen unter dem Kochfeld installiert ist, stellen Sie sicher, dass er mit einem Kühlsystem ausgestattet ist. Wenn die Temperatur der elektronischen Stromkreise die maximal zulässige Temperatur übersteigt, schaltet sich das Kochfeld automatisch aus; in diesem Fall müssen Sie ein paar Minuten warten, bis die Innentemperatur der elektronischen Schaltkreise auf einen zulässigen Wert abgekühlt ist und Sie das Kochfeld wieder einschalten können.

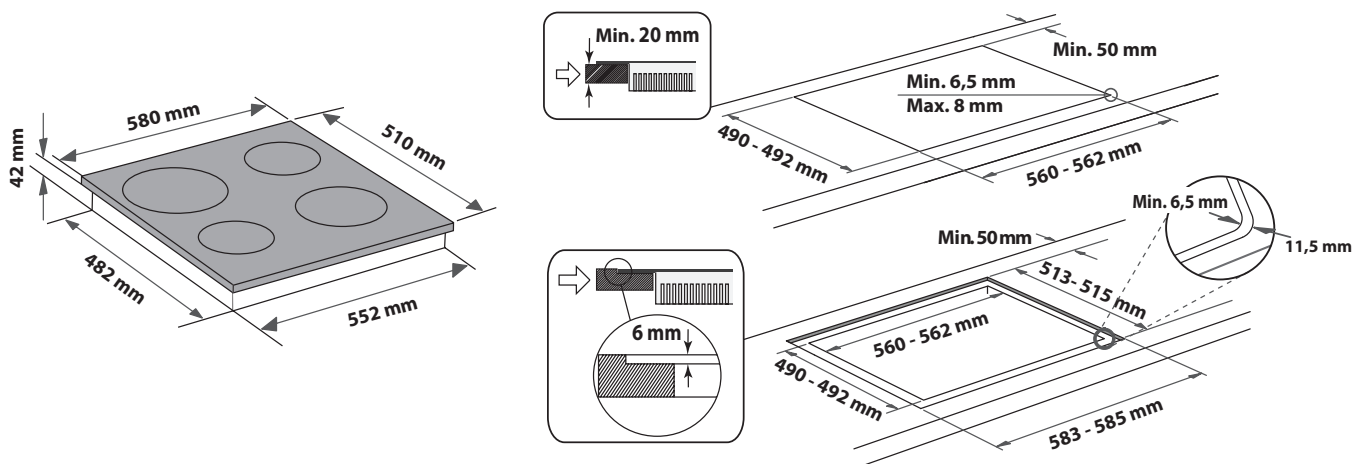
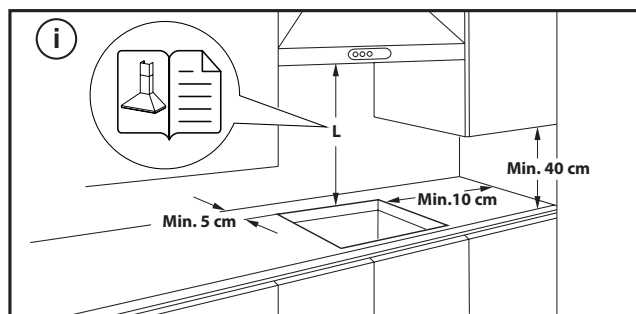


AUFSTELLEN DES KOCHFELDS

Nach dem elektrischen Anschluss (siehe Kapitel "Elektrischer Anschluss") die Befestigungsklammern an den dafür vorgesehenen Schlitzen an den Seitenflächen des Kochfeldes positionieren wie in der Abbildung gezeigt. Drücken Sie dann das Kochfeld in den Ausschnitt und prüfen Sie, dass das Glas flach und parallel zur Arbeitsplatte ist. Die Befestigungsklammern sind für jede Art von Arbeitsplattenmaterial (Holz, Marmor usw.) ausgelegt.



ABMESSUNGEN UND EINZUHALTENDE ABSTÄNDE



ENTFERNEN DES KOCHFELDES:

Um das Kochfeld auszubauen, trennen Sie es zunächst vom Stromnetz. Es wird dringend empfohlen, das darunter liegende Teil vom Backofen, der Schublade, dem Abscheider oder anderem zu befreien. Dadurch kann der Techniker auf den unteren Teil des Kochfeldes zugreifen, um die vier Klammern mit einem Schraubenzieher zu lösen, das Kochfeld anzuheben und es abzunehmen, ohne die Arbeitsplatte zu beschädigen

ELEKTRISCHER ANSCHLUSS

Der elektrische Anschluss muss erfolgen, bevor das Gerät an die Stromversorgung angeschlossen wird.

Das Netzkabel ist nicht in der Verpackung enthalten - denken Sie daran, Ihr eigenes Netzkabel vorzubereiten.


Der Einbau muss von einer Fachkraft, die über Kenntnisse zu den aktuellen Sicherheits- und Einbaubestimmungen verfügt, durchgeführt werden. Vor allem muss die Installation gemäß den Richtlinien der lokalen Elektrizitätsgesellschaft vorgenommen werden.

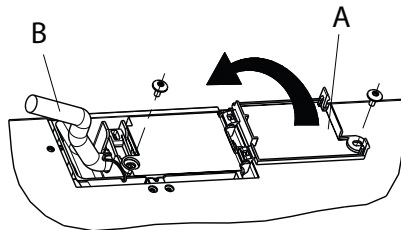
Stellen Sie sicher, dass die auf dem Typenschild unten am Gerät angegebene Spannung der Spannung bei Ihnen zuhause entspricht.

Die Erdung des Gerätes ist gesetzlich vorgeschrieben: Verwenden Sie nur Leitungen (einschließlich Erdungsleitungen) der entsprechenden Größe.

ANSCHLUSS AN DIE KLEMMENLEISTE

Für den elektrischen Anschluss ein Kabel vom Typ H05RR-F oder H05V2V2-F gemäß den Angaben der nachfolgenden Tabelle verwenden.

VERSORGUNGSSPANNUNG	KABEL ANZAHL x GRÖÖE
220-240V ~+ 	3 x 4 mm ²
230-240V ~+ 	3 x 4 mm ² (nur für Australien)
220-240V 3~+ 	4 x 1,5 mm ²
380-415V 3N~+ 	5 x 1,5 mm ²
380-425V 2N~+ 	4 x 1,5 mm ²



Bei der Installation muss ein allpoliger Trennschalter mit einer Kontaktöffnungsweite von mindestens 3 mm vorgesehen werden, mit dem das Gerät spannungslos gemacht werden kann.

ACHTUNG: Das Stromkabel muss lang genug sein, um das Kochfeld von der Arbeitsplatte entfernen zu können, und es muss so angebracht werden, dass Schäden oder Überhitzung durch Kontakt mit dem Sockel vermieden werden.

HINWEIS: Das gelb-grüne Erdungskabel muss mit der Klemme mit dem Erdungs-Symbol  verbunden werden und muss länger als die anderen Kabel sein.

- Etwa 70 mm des Netzkabels (**B**) abisolieren.
- Isolieren Sie etwa 10 mm der Kabel. Setzen Sie das Kabel in die Kabelklemme ein und schließen Sie die Litzen an die Klemmenleiste an, wie auf dem Anschlussplan neben der Klemmenleiste dargestellt ist.
- Das Netzkabel (**B**) mit der Kabelklemme fixieren.
- Schließen Sie den Klemmenleistendeckel (**A**) und ziehen Sie ihn mit der mitgelieferten Schraube fest.
- Montieren Sie nach dem elektrischen Anschluss das Kochfeld und haken Sie es in die Trägerfedern gemäß der Abbildung ein.


DANKE, DASS SIE SICH FÜR EIN WHIRLPOOL PRODUKT ENTSCIEDEN HABEN

Für eine umfassendere Unterstützung melden Sie Ihr Produkt bitte unter www.whirlpool.eu/register.

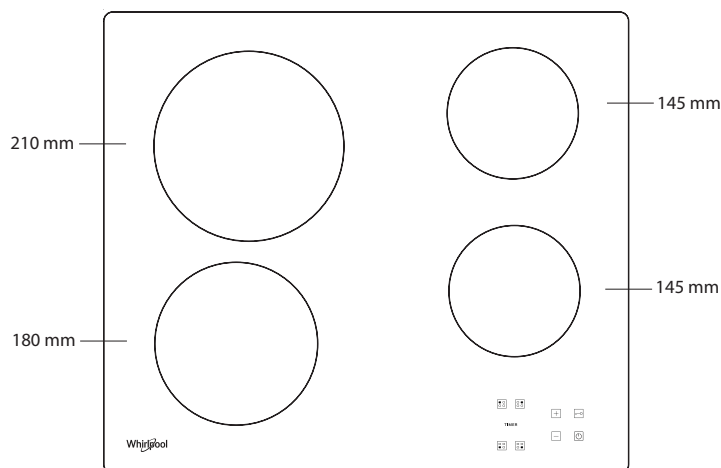


Lesen Sie vor Gebrauch des Geräts die Sicherheitshinweise aufmerksam durch.

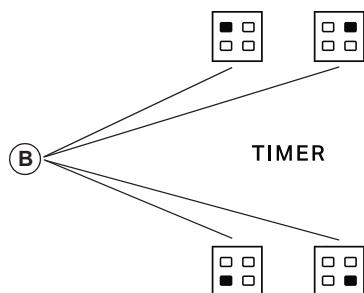
BITTE SCANNEN SIE DEN QR-CODE AUF IHREM GERÄT, UM WEITERE INFORMATIONEN ZU ERHALTEN



PRODUKTBESCHREIBUNG



BEDIENFELD



TIMER

- A** Ein/Aus
- B** Auswahl von Kochzone und Timer
- C-E** Leistungsstufe erhöhen und verringern
- D** Tastensperre

ERSTE INBETRIEBNAHME DES GERÄTS

Bei der ersten Inbetriebnahme führt das Steuerpaneel etwa 1 Sekunde lang eine Funktionsüberprüfung durch. Danach schaltet es automatisch in die Funktion "Tastensperre".

Zum Deaktivieren der Funktion halten Sie die Taste "D" gedrückt. Es ertönt ein

akustisches Signal, die entsprechende Kontrollleuchte erlischt.

HINWEIS: Falls das Gerät sich zurücksetzt, wiederholen Sie den angegebenen Vorgang.

TÄGLICHER GEBRAUCH



DAS KOCHFELD EIN-/AUSSCHALTEN

Zum Einschalten des Kochfelds halten Sie die Taste "A" etwa 2 Sekunden lang gedrückt. Auf den 4 Kochzonen-Displays erscheint jeweils die Anzeige "0". Wird nun innerhalb von ca. 20 Sekunden keine der Kochzonen eingeschaltet, so schaltet sich die Kochmulde aus Sicherheitsgründen selbsttätig wieder aus.

EINSCHALTEN UND EINSTELLEN DER KOCHZONEN

Drücken Sie eine der Tasten "B", je nachdem welche Kochzone Sie benutzen möchten. Wählen Sie die Leistungsstufe durch Drücken der Tasten "E" oder "C". Die weiteren wählbaren Leistungsstufen reichen von 1 - 9. Drücken Sie gleichzeitig die Tasten "+/-", um alle Einstellungen zu löschen.

WICHTIG: Die Kontrollfunktion wird 10 Sekunden nach dem Wählen der gewünschten Leistungsstufe deaktiviert.

Zum Ändern der Leistungsstufe drücken Sie zuerst noch einmal den Wahlschalter "B", ändern Sie dann die Einstellung anhand der Tasten "E" oder "C".

TIMER

Zum Einschalten der Funktion Timer wählen Sie die gewünschte Kochzone und geben Sie die Leistungsstufe ein. Drücken Sie dann erneut die Taste für die Kochzone. Ein Leuchtpunkt erscheint auf dem Display der Kochzone, die durch den Timer geregelt werden soll. Auf den 2 Displays blinkt die Anzeige "00". Zum Ändern der Zeit von 1 bis 99 drücken Sie die Tasten "C" oder "E".

WICHTIG: Nach 10 Sekunden zeigen die Timer-Displays die Leistungsstufe der anderen Kochzonen an.

Drücken Sie zwei Mal die durch den Timer geregelte Kochzone, um die verbleibende Zeit anzuzeigen.

A FUNKTION

Mit dieser Funktion kann die Leistungsstufe der Kochzone automatisch von der höchsten Stufe (Stufe 9) auf die vom Benutzer für eine spätere Phase des Kochens gewählte Stufe reduziert werden.

Um diese Funktion zu aktivieren, drücken Sie zunächst die "+"-Taste, wenn die Stufe 9 erreicht ist.

Das Display zeigt "A" und "9" blinkt abwechselnd mit geringer Helligkeit. Wählen Sie nun mit der Taste "–" die gewünschte Leistungsstufe (weniger als 9). "A" und die gewählte Stufe blinken abwechselnd mit geringer Helligkeit auf dem Display.

Die Funktion ist aktiviert, sobald "A" und die gewählte Stufe abwechselnd mit hoher Helligkeit auf dem Display blinken.

Sobald "A" nicht mehr auf dem Display zu sehen ist (die Funktion "A" schaltet sich je nach eingestellter Leistungsstufe nach einigen Minuten automatisch ab), wird der Garvorgang mit geringerer Leistung fortgesetzt und das Display zeigt nur noch die gewählte Leistungsstufe an.

N.B.: diese Funktion ist nicht möglich mit Level 9.



TASTENSPERRE

Zum Aktivieren der Tastensperre halten Sie die Taste "D" so lange gedrückt, bis über der Funktionstaste ein Leuchtpunkt aufleuchtet. Das Bedienfeld ist bis auf die Ausschaltfunktion gesperrt. Die Funktion bleibt selbst dann aktiviert, wenn das Kochfeld aus- und wieder eingeschaltet wird, und Sie können sie deaktivieren, indem Sie die Taste "D" erneut drücken, bis der leuchtende Punkt über der Funktionstaste erlischt.

Wenn das Kochfeld bei aktivierter Tastensperre ausgeschaltet ist, um das Kochfeld einzuschalten, deaktivieren Sie zunächst die Tastensperre, indem Sie die Taste "D" erneut drücken, bis der Punkt über der Funktionstaste erlischt.

Das Vorhandensein von Wasser, verschütteten Flüssigkeiten aus Töpfen oder anderen Gegenständen, die auf den Steuergeräten ruhen, kann versehentlich der Tastensperre.



RESTWÄRMEANZEIGE

Wenn die Kochzone ausgeschaltet wurde, leuchtet die Restwärmeanzeige "H" weiter oder blinkt abwechselnd mit der Anzeige "0", bis die Temperatur der Kochmulde unter den Sicherheitsgrenzwert gesunken ist.

WICHTIG: Zu den Sicherheitsfunktionen des Kochfelds zählt eine automatische Ausschaltfunktion. Längerer Gebrauch derselben Leistungsstufe löst ein automatisches Abschalten der Kochzone aus (so wird zum Beispiel eine Kochzone nach etwa 1 Stunde bei maximaler Leistung abgeschaltet).

WICHTIG: Um dauerhafte Schäden am Kochfeld zu vermeiden:

- Keine Kochtöpfe mit unebenem Boden verwenden.
- Keine Metalltöpfe mit Emailboden verwenden.
- Keine heißen Töpfe/Pfannen auf das Bedienfeld stellen.

Das Kochfeld ist darüber hinaus mit der Funktion "Automatische Abschaltung" ausgestattet, die Kochzone ausschaltet, wenn nach einer bestimmten Zeitspanne, die von der Leistungseinstellung selbst abhängt, keine Änderung der Leistungsstufe vorgenommen wird. In der Tabelle ist die Dauer der einzelnen Leistungsstufen angegeben.

LEISTUNGSSTUFE	AUTOMATISCHE ABSCHALTZEIT
0	30 Sekunden
1	10 Stunden
2	5 Stunden
3	5 Stunden
4	4 Stunden
5	3 Stunden
6	2 Stunden
7	2 Stunden
8	2 Stunden
9	1 Stunde

GARTABELLE

LEISTUNGSSTUFE		ZUBEREITUNGSART	EINSTELLUNG LEISTUNGSSTUFE (die Angabe ergänzt Ihre Erfahrung und Kochgewohnheiten)
Höchstleistung	9	Kochen	Ideal zum schnellen Erwärmen von Speisen bis zum schnellen Sieden von Wasser oder schnellen Erhitzen von Garflüssigkeiten.
	9 – 8	Glühend heiß	Ideal zum Anbraten, zum Anheizen, zum Braten von Tiefkühlprodukten, zum schnellen Kochen.
Hohe Leistungsstufe	8 – 7	Anbraten – Aufrechterhalten des Kochens – Grillen	Ideal zum Anbraten, Aufrechterhalten eines hohen Siedepunkts, Kochen und Grillen (kurze Dauer, 5-10 Minuten).
	7 – 6	Braten – Kochen – Grillen	Ideal zum Aufrechterhalten eines niedrigen Siedepunkts, zum Kochen und Grillen (mittlere Dauer, 10-20 Minuten), zum Vorheizen und Braten.
Mittlere Leistung	6 – 5	Schonendes Braten	Ideal zum Braten von Eiern und Omeletts.
	5 – 4	Kochen – Garen – Dünsten	Ideal für lange Kochzeiten (Reis, Saucen, Braten, Fisch) in Flüssigkeit (z.B. Wasser, Wein, Brühe, Milch) und zum Quellen von Teigwaren.
	4 – 3	Verdicken – Teigwaren quellen	
Niedrige Leistung	2 – 1	Warmhalten von Speisen – Risottos quellen	Ideal zum Warmhalten frisch gekochter Speisen (z. B. Soßen, Suppen, Minestrone), zum Quellen von Risotto und zum Warmhalten von Servierschalen.
Minimale Leistung	1	Auftauen	Ideal zum Auftauen von kleinen Produkten und zum sanften Schmelzen von Schokolade oder Butter.
Leistungsstufe Null	0	–	Kochfeld im Bereitschafts- oder Aus-Zustand (eventuell Ende der Restwärme, angezeigt durch ein "H").

REINIGUNG UND WARTUNG

⚠ Trennen Sie das Gerät von der Stromversorgung.

- Verwenden Sie keinen Dampfreiniger.
- Keine Scheuerschwämme oder Topfkratzer verwenden, da sie das Glas beschädigen können.
- Das (abgekühlte) Kochfeld nach jeder Verwendung reinigen, um Ablagerungen und Flecken von Speiseresten zu entfernen.

- Zucker oder stark zuckerhaltige Speisen können das Kochfeld beschädigen und müssen sofort entfernt werden.
- Salz, Zucker und Sand können die Glasoberfläche zerkratzen.
- Ein weiches Tuch, Küchenrolle oder ein spezielles Reinigungsmittel für Kochfelder verwenden (die Herstellerangaben beachten).
- Verschüttete Flüssigkeiten können dazu führen, dass sich die Töpfe bewegen oder dass diese vibrieren.
- Das Kochfeld nach der Reinigung gründlich trocknen.

Wenn das Kochfeld nicht korrekt funktioniert, ziehen Sie bitte zuerst Anleitung zur Fehlersuche zu Rate, bevor Sie den Kundenservice anrufen.

- Lesen und beachten Sie die Anweisungen im Abschnitt "Täglicher Gebrauch".
- Die Tabelle unten für Anweisungen einsehen.
- Trocknen Sie das Kochfeld gründlich nach der Reinigung.
- Leuchten nach Auswahl einer Kochzone das Symbol "F" oder "ER" und eine Zahl auf, verständigen Sie den zuständigen Kundendienst, und machen Sie die entsprechenden Angaben.
- Wenn der Fehlercode "F03", "ER03" oder "E02" lautet, versuchen Sie, den Fehler anhand der folgenden Anweisungen zu beheben:
 - Wenn die Fehlermeldung "E02" erscheint, vergewissern Sie sich bitte, dass Sie die Tasten nicht länger als 5 Sekunden gedrückt haben, dass sich kein Gegenstand auf der HMI-Fläche befindet und dass diese sauber und trocken ist - für die Reinigung beachten Sie bitte den Abschnitt Reinigung und Wartung.
 - Erscheint der Fehler "F03", versuchen Sie, das Kochfeld aus- und wieder einzuschalten.
 - Wenn der Fehler "F04" angezeigt wird, wenden Sie sich an den Kundendienst und teilen Sie ihm den angezeigten Code mit.

- Fällt das Kochfeld nach intensiver Nutzung aus, kann dies an einer zu hohen internen Temperatur liegen. Warten Sie einige Minuten, bis das Kochfeld wieder abgekühlt ist.
- Wenn die Heizung nicht ständig eingeschaltet ist, sondern sich zyklisch ein- und ausschaltet, auch wenn sich die Leistungsstufe auf dem Display nicht ändert, gehört dies zum normalen Betrieb des Kochfelds. Der Ein/Aus-Zyklus ermöglicht die Leistungsregulierung der Heizung und ist völlig normal. In einigen Fällen kann der Wärmeschutz die Heizung für eine gewisse Zeit abschalten, um Glasschäden zu vermeiden. Beispiele für solche Fälle sind: Langes Kochen bei hoher Leistung, Verwendung von Töpfen, die kleiner sind als das Heizelement, und keine Töpfe mit flachem Boden.
- Gibt das Kochfeld ein kurzes Geräusch von sich, ohne dass der Kunde eine Taste drückt, achten Sie bitte auf verschüttete Flüssigkeiten auf dem HMI. Bitte trocknen Sie das HMI und benutzen Sie das Kochfeld weiter. Wenn sich das Kochfeld automatisch ausgeschaltet hat, kann dies durch eine Flüssigkeit auf dem HMI verursacht werden. Bitte trocknen Sie das HMI und schalten Sie das Kochfeld wieder ein.

Falls die Störung nach den vorstehend beschriebenen Kontrollen weiter besteht, rufen Sie bitte die nächstliegende Kundendienststelle an.

KUNDENDIENST

Für eine umfassendere Unterstützung melden Sie Ihr Produkt bitte unter www.whirlpool.eu/register.

BEVOR SIE DEN KUNDENDIENST RUFEN:

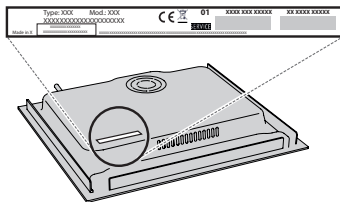
1. Versuchen Sie zuerst, die Störung anhand der in **LÖSEN VON PROBLEMEN** beschriebenen Ratschläge selbst zu beheben.
2. Schalten Sie das Gerät aus und wieder ein, um festzustellen, ob die Störung behoben ist.

FALLS DIE STÖRUNG NACH DEN VORSTEHEND BESCHRIEBENEN KONTROLLEN WEITER BESTEHT, WENDEN SIE SICH BITTE AN DEN NÄCHSTEN KUNDENSERVICE.

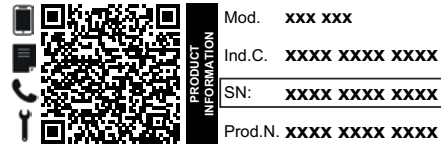
Rufen Sie die Nummer in dem Garantieheft an oder folgen Sie den Anweisungen auf der Internetseite www.whirlpool.eu.

Wenn Sie den Kundendienst kontaktieren, immer die folgenden Angaben machen:

- Eine kurze Beschreibung der Störung,
- Gerätetyp und Modellnummer;



- die Seriennummer (Nummer nach dem Wort SN auf dem Typenschild unter dem Gerät). Die Seriennummer ist auch in den Unterlagen angegeben;



- Ihre vollständige Anschrift;
- Ihre Telefonnummer.

Im Reparaturfall wenden Sie sich bitte an den autorisierten Kundenservice (nur dann wird garantiert, dass Originalersatzteile verwendet werden und eine fachgerechte Reparatur durchgeführt wird).

Richtlinien, Standarddokumentation und zusätzliche Produktinformationen finden Sie unter:

- Verwenden Sie den QR-Code an Ihrem Gerät;
- Besuchen Sie unsere Website docs.whirlpool.eu;
- Alternativ können Sie **unseren Kundendienst kontaktieren** (siehe Telefonnummer im Garantieheft). Wird unser Kundendienst kontaktiert, bitte die Codes auf dem Typenschild des Produkts angeben.



CONSIGNES DE SÉCURITÉ

Télécharger le manuel d'instructions complet sur [http:// docs.whirlpool.eu](http://docs.whirlpool.eu) ou appeler le numéro de téléphone indiqué sur le livret de garantie.

Avant d'utiliser l'appareil, lire attentivement les consignes de sécurité. Conservez-les à portée pour consultation ultérieure.

Le présent manuel et l'appareil en question contiennent des consignes de sécurité importantes qui doivent être observées en tout temps. Le Fabricant décline toute responsabilité si les consignes de sécurité ne sont pas respectées, en cas de mauvaise utilisation de l'appareil, ou d'un mauvais réglage des commandes.

⚠ **AVERTISSEMENT:** Ne pas utiliser la table de cuisson si la surface est cassée ou fissurée - risque de choc électrique.

⚠ **AVERTISSEMENT:** Risque d'incendie: Ne rangez aucun objet sur les surfaces de cuisson.

⚠ **MISE EN GARDE:** La cuisson doit être supervisée. Une cuisson de courte durée doit être supervisée en tout temps.

⚠ **AVERTISSEMENT:** Une cuisson sans surveillance sur une table de cuisson contenant de la graisse ou de l'huile peut s'avérer dangereuse - risque d'incendie. Ne tentez JAMAIS d'éteindre un feu avec de l'eau: au contraire, éteignez l'appareil, puis couvrez la flamme, par exemple avec un couvercle ou une couverture ignifuge.

⚠ N'utilisez pas la table de cuisson comme surface de travail ou support. Gardez les vêtements et autres matières inflammables loin de l'appareil jusqu'à ce que toutes les composantes soient complètement refroidies - un incendie pourrait se déclarer.

⚠ Les enfants en bas âge (0-3 ans) doivent être tenus à l'écart de l'appareil. Les jeunes enfants (3-8 ans) doivent être tenus à l'écart de l'appareil sauf s'ils se trouvent sous surveillance constante. Les enfants âgés de 8 ans et plus, ainsi que les personnes présentant des capacités physiques, sensorielles ou mentales réduites, ou ne possédant ni l'expérience ni les connaissances requises, peuvent utiliser cet appareil seulement s'ils sont supervisés, ou si une personne responsable leur a expliqué l'utilisation sécuritaire et les dangers potentiels de l'appareil. Ne laissez pas les enfants jouer avec l'appareil. Le nettoyage et l'entretien ne doivent pas être exécutés par des enfants sans surveillance.

⚠ **AVERTISSEMENT:** L'appareil, ainsi que ses parties accessibles, peuvent atteindre température élevée lors de l'utilisation. Veillez à ne pas toucher les éléments chauffants. Les enfants de moins de 8 ans doivent être tenus à l'écart de l'appareil, à moins d'être sous surveillance constante.

USAGE AUTORISÉ

⚠ **MISE EN GARDE:** Cet appareil n'est pas conçu pour être utilisé avec un dispositif de mise en marche externe comme une minuterie ou un système de contrôle à distance.

⚠ Cet appareil est destiné à un usage domestique et peut aussi être utilisé dans les endroits suivants: cuisines pour le personnel dans les magasins, bureaux et autres

IMPORTANT - À LIRE ET À RESPECTER

environnements de travail ; dans les fermes; par les clients dans les hôtels, motels, et autres résidences similaires.

⚠ Aucune autre utilisation n'est autorisée (p. ex. pour chauffer des pièces).

⚠ Cet appareil n'est pas conçu pour un usage professionnel. N'utilisez pas l'appareil en extérieur.

INSTALLATION

⚠ Deux personnes minimum sont nécessaires pour déplacer et installer l'appareil - risque de blessure. Utilisez des gants de protection pour le déballage et l'installation de l'appareil - vous risquez de vous couper.

⚠ L'installation, incluant l'alimentation en eau (selon le modèle), et les connexions électriques, ainsi que les réparations, doivent être exécutées par un technicien qualifié. Ne procédez à aucune réparation ni à aucun remplacement de pièce sur l'appareil autre que ceux spécifiquement indiqués dans le guide d'utilisation. Gardez les enfants à l'écart du site d'installation. Après avoir déballé l'appareil, assurez-vous qu'il n'a pas été endommagé pendant le transport. En cas de problème, contactez le détaillant ou le service Après-vente le plus proche. Une fois installé, gardez le matériel d'emballage (sacs en plastique, parties en polystyrène, etc.) hors de la portée des enfants - ils pourraient s'étouffer. L'appareil ne doit pas être branché à l'alimentation électrique lors de l'installation - vous pourriez vous électrocuter. Au moment de l'installation, assurez-vous que le câble d'alimentation n'est pas endommagé par l'appareil - risque d'incendie ou de choc électrique. Allumez l'appareil uniquement lorsque l'installation est terminée.

⚠ Découpez le contour du meuble avant d'y insérer l'appareil, et enlevez soigneusement tous les copeaux et la sciure de bois.

⚠ Si l'appareil n'est pas installé au-dessus d'un four, un panneau séparateur (non compris) doit être installé dans le compartiment sous l'appareil.

ALIMENTATION ÉLECTRIQUE

⚠ Il doit être possible de débrancher l'appareil de l'alimentation électrique en retirant la fiche de la prise de courant si elle est accessible, ou à l'aide d'un interrupteur multipolaire en amont de la prise de courant, conformément aux normes de sécurité électrique nationales.

⚠ Utilisez pas de rallonge, de prises multiples ou d'adaptateurs. Une fois l'installation terminée, l'utilisateur ne devra plus pouvoir accéder aux composantes électriques. N'utilisez pas l'appareil si vous êtes mouillé ou si vous êtes pieds nus. N'utilisez pas l'appareil si le câble d'alimentation ou la prise de courant est endommagé(e), si l'appareil ne fonctionne pas correctement, ou s'il a été endommagé ou est tombé.

⚠ Une installation utilisant une prise de câble électrique n'est pas autorisée sauf si le produit en est déjà équipé par le Fabricant.

⚠ Si le câble d'alimentation est endommagé, il doit être remplacé avec un câble identique par le fabricant, un


représentant du Service Après-vente, ou par toute autre personne qualifiée - vous pourriez vous électrocuter.

NETTOYAGE ET ENTRETIEN

⚠ AVERTISSEMENT: Assurez-vous que l'appareil est éteint et débranchez de l'alimentation électrique avant d'effectuer le nettoyage ou l'entretien; n'utilisez jamais un appareil de nettoyage à vapeur - risque de choc électrique.

⚠ Utilisez en aucun cas de produits abrasifs ou corrosifs, de produits chlorés ou de tampons à récurer.

MISE AU REBUT DES MATÉRIAUX D'EMBALLAGE


Les matériaux d'emballage sont entièrement recyclables comme l'indique le symbole de recyclage .

Les différentes parties de l'emballage doivent donc être jetées de manière responsable et en totale conformité avec les réglementations des autorités locales régissant la mise au rebut de déchets.

MISE AU REBUT DES APPAREILS ÉLECTROMÉNAGERS

Cet appareil est fabriqué à partir de matériaux recyclables ou réutilisables. Mettez-le au rebut en vous conformant aux réglementations locales en matière d'élimination des déchets. Pour toute information supplémentaire sur le traitement et le recyclage des appareils électroménagers, contactez le service local compétent, le service de collecte des déchets ménagers ou le magasin où vous avez acheté l'appareil. Cet appareil est marqué comme étant conforme à la Directive européenne 2012/19/EU, aux réglementations relatives aux Déchets d'équipement électrique et électronique (DEEE) et relatives aux Déchets d'équipement électrique et électronique de 2013 (tels qu'amendés).

En vous assurant que l'appareil est mis au rebut correctement, vous pouvez aider à éviter d'éventuelles conséquences négatives sur l'environnement et la santé humaine.

Le symbole  sur le produit ou sur la documentation qui l'accompagne indique qu'il ne doit pas être traité comme un déchet domestique, mais doit être remis à un centre de collecte spécialisé pour le recyclage des appareils électriques et électroniques.



CONSEILS RELATIFS À L'ÉCONOMIE D'ÉNERGIE

Tirez le meilleur de la chaleur résiduelle de votre plaque de cuisson en l'éteignant quelques minutes avant de terminer la cuisson.

La base de votre casserole ou de votre poêle couvre totalement la plaque chaude; un récipient plus petit que la plaque chaude provoquera un gaspillage d'énergie.

Couvrez vos casseroles et poêles avec des couvercles parfaitement ajustés et utilisez le moins d'eau que possible. La cuisson à découvert augmentera considérablement la consommation d'énergie.

Utilisez uniquement des casseroles et poêles à fond plat.

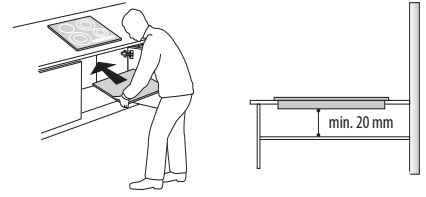
DÉCLARATION DE CONFORMITÉ

Cet appareil respecte les conditions requises d'écoconception de la Réglementation européenne 66/2014 et des Réglementations en matière d'écoconception pour les produits liés à l'énergie et les informations énergétiques (Amendement) (Sortie de l'UE) 2019, conformément à la norme européenne EN 60350-2.



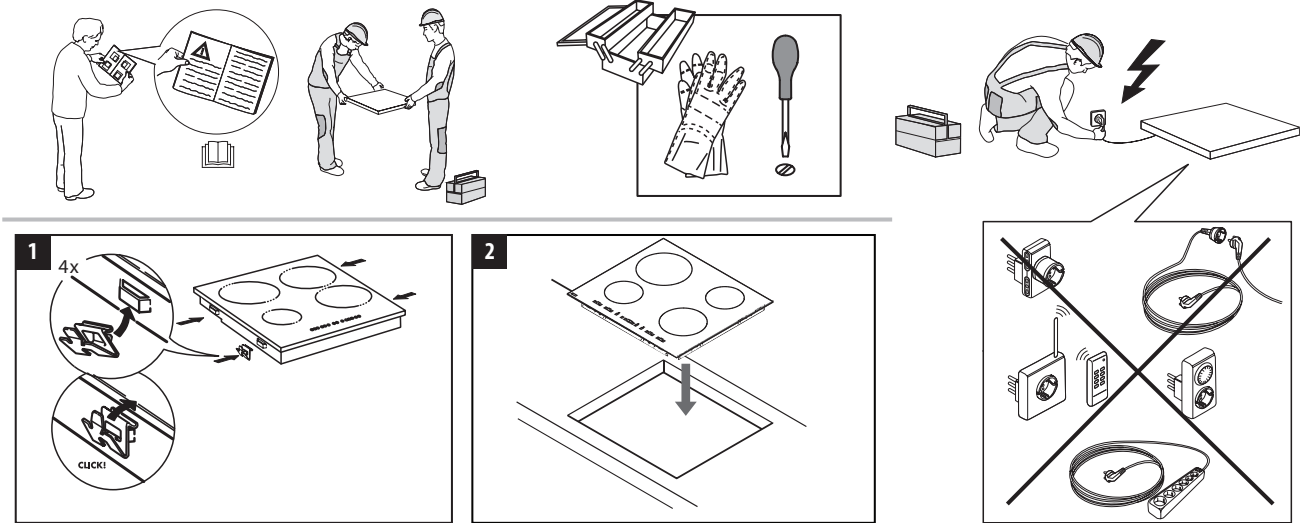
INSTALLATION

- La table de cuisson doit être installée dans un plan de travail sur au moins 20 mm de profondeur.
- Rien ne doit encombrer l'espace entre la table de cuisson et le four (traverses, supports, etc.).
- Assurez-vous que le câble électrique est suffisamment long pour permettre une installation correcte.
- La distance entre la partie inférieure de la table de cuisson vitrocéramique et le meuble ou le panneau de séparation doit être d'au moins 20 mm.
- Pour des dimensions et une installation encastrées, consultez la photographie dans le présent paragraphe.
- Une distance minimale doit être maintenue entre la table de cuisson et la hotte au-dessus d'elle. Consultez le manuel de l'utilisateur de la hotte pour plus d'informations.
- Après avoir nettoyé la surface de la table de cuisson, installez le joint fourni autour de celle-ci (sauf s'il est déjà installé).
- **N'installez pas la table de cuisson à côté d'un lave-vaisselle ou d'un lave-linge, afin d'éviter que les circuits électriques ne soient endommagés par la vapeur ou la moisissure.**
- Si un four est installé sous la table de cuisson, assurez-vous qu'il est équipé d'un système de refroidissement. Si la température des circuits électroniques dépasse la température maximale autorisée, la table de cuisson s'éteindra automatiquement; dans ce cas, laissez refroidir les circuits électriques pendant quelques minutes avant de rallumer la table de cuisson.

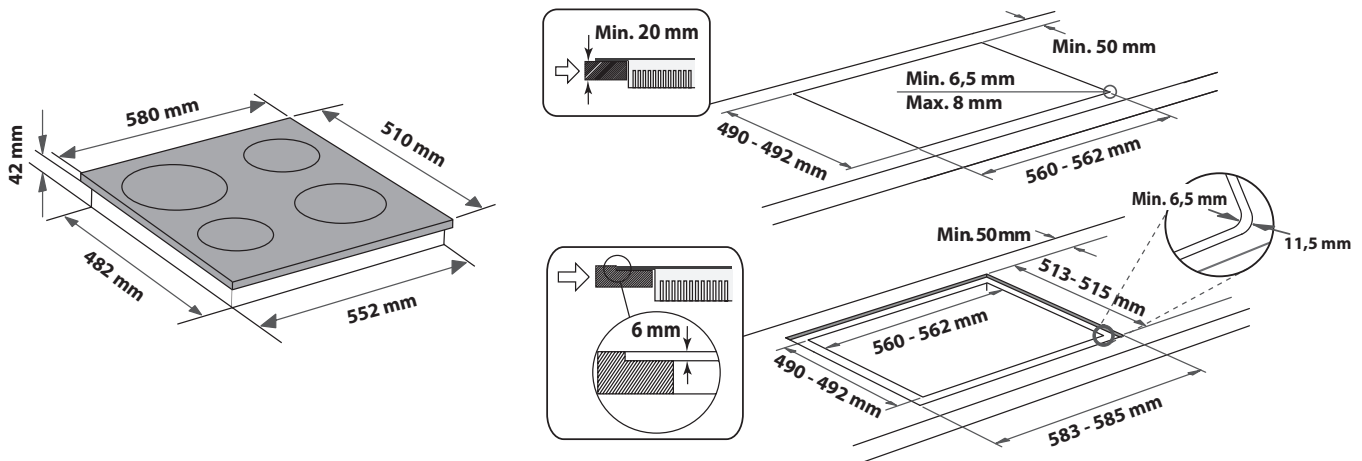
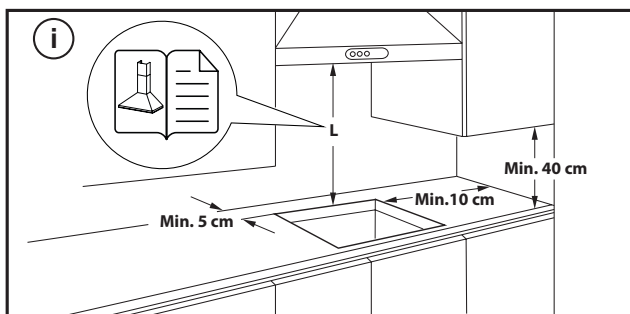


MISE EN PLACE DE LA TABLE DE CUISSON

Après le branchement électrique (voir le chapitre "Branchement électrique"), placez chaque clip de fixation sur les fentes dédiées sur les côtés latéraux de la table de cuisson comme indiqué sur la photographie. Puis poussez la table de cuisson à l'intérieur de la découpe et vérifiez que le verre est plat et parallèle au plan de travail. Les clips de fixation sont conçus pour toute sorte de matériau de plan de travail (bois, marbre, etc.).



DIMENSIONS ET DISTANCES A RESPECTER



DÉPOSE DE LA TABLE DE CUISSON:

Pour enlever la table de cuisson, débranchez-la de l'alimentation électrique. Il est fortement recommandé de libérer la partie située en dessous de tout four, tiroir, séparateur ou autre. Cela permet au technicien d'accéder à la partie inférieure de la table de cuisson pour défaire les quatre clips avec un tournevis, de lever la table de cuisson et de l'enlever, en évitant tout dommage au plan de travail.

RACCORDEMENT ÉLECTRIQUE

Le branchement électrique doit être réalisé avant de brancher l'appareil au réseau d'alimentation.

Le câble électrique n'est pas inclus dans l'emballage - rappelez-vous de préparer votre propre câble électrique.




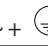
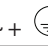
L'installation doit être effectuée par un personnel qualifié qui connaît les réglementations actuelles relatives à la sécurité et à l'installation. En particulier, l'installation doit être réalisée conformément aux réglementations de la société locale de distribution d'électricité.

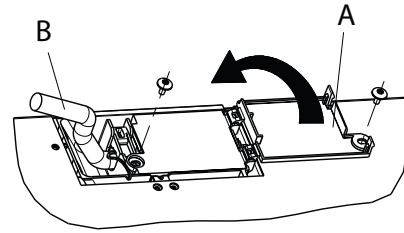
Assurez-vous que la tension spécifiée sur la plaque signalétique située au bas de l'appareil correspond à celle de votre logement.

La mise à la terre de l'appareil est obligatoire aux termes de la loi: utilisez uniquement des conducteurs (y compris le fil de terre) de section appropriée.

CONNEXION AU BORNIER

Pour le branchement électrique, utilisez un câble de type H05RR-F ou H05V2V2-F, comme indiqué dans le tableau ci-dessous.

TENSION D'ALIMENTATION	CONDUCTEURS NOMBRE x SECTION
220-240V ~+ 	3 x 4 mm ²
230-240V ~+ 	3 x 4 mm ² (pour l'Australie uniquement)
220-240V 3~+ 	4 x 1,5 mm ²
380-415V 3N~+ 	5 x 1,5 mm ²
380-425V 2N~+ 	4 x 1,5 mm ²



L'appareil doit être raccordé au secteur à l'aide d'un dispositif à coupure omnipolaire ayant une distance de 3 mm au moins entre les contacts.

IMPORTANT : Le cordon d'alimentation doit être suffisamment long pour que la table de cuisson puisse être retirée du plan de travail et doit être positionné de façon à écarter toute possibilité de dommage ou de surchauffe causée par un contact avec la base de l'appareil.

REMARQUE : le fil de terre jaune-vert doit être branché à la borne portant le symbole  et doit être plus long que les autres fils.

- Dénudez environ 70 mm de la gaine du cordon d'alimentation (B).
- Retirez environ 10 mm de la gaine des fils. Enflez ensuite le cordon d'alimentation dans le collier de serrage et connectez les fils au bornier en suivant les indications du schéma à côté dudit bornier.
- Fixez le cordon d'alimentation (B) à l'aide du collier de serrage.
- Fermez le bornier avec le couvercle (A) en le fixant avec la vis spéciale.
- Après avoir terminé les branchements électriques, introduisez la table de cuisson par le haut et accrochez-la aux ressorts de support, comme illustré sur l'image.



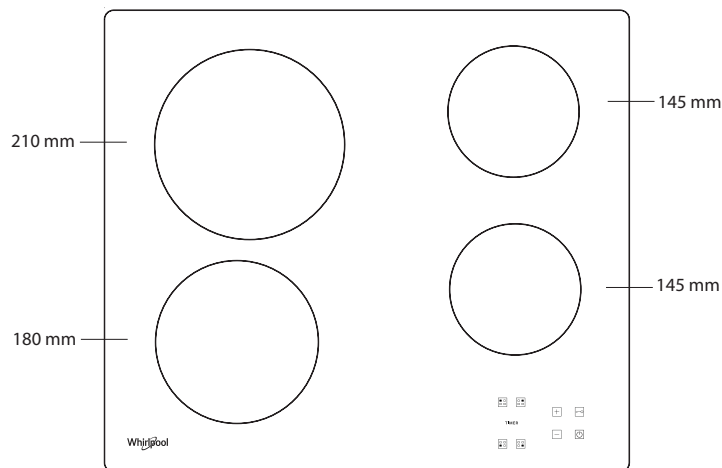
MERCI D'AVOIR CHOISI UN PRODUIT WHIRLPOOL
Afin de profiter d'une assistance plus complète, veuillez enregistrer votre produit sur www.whirlpool.eu/register.

**VEUILLEZ SCANNER LE QR CODE
SUR VOTRE APPAREIL POUR
OBTENIR PLUS D'INFORMATIONS**

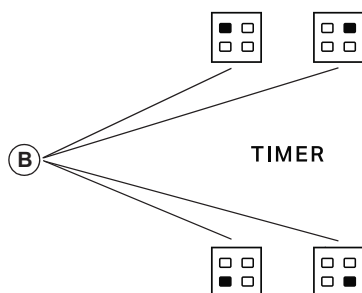


Lisez attentivement les consignes de sécurité avant d'utiliser l'appareil.

DESCRIPTION DU PRODUIT



PANNEAU DE COMMANDE



- A** Marche/Arrêt
- B** Sélection de la zone de cuisson et du réglage de la minuterie
- C-E** Augmentation et réduction du réglage de chaleur
- D** Verrouillage du panneau de commande

PREMIÈRE UTILISATION

A la première installation le bandeau effectuera un contrôle fonctionnel (environ 1 seconde) et se positionnera ensuite automatiquement sur la fonction "Verrouillage du panneau de commande".

Maintenir la pression sur le bouton "D" pour désactiver la fonction, le plan émettra un signal acoustique, le voyant de référence s'éteindra.

REMARQUE: En cas de reset du produit répéter la procédure indiquée.

USAGE QUOTIDIEN



MISE EN MARCHÉ/ARRÊT DE LA TABLE DE CUISSON

Pour mettre la table de cuisson sous tension, appuyez 2 secondes sur le bouton "A". "0" apparaît à l'afficheur des 4 foyers de cuisson. Si aucun des foyers de cuisson n'est activée durant les 20 secondes qui suivent, la table de cuisson s'éteint automatiquement pour des raisons de sécurité.

ACTIVATION ET RÉGLAGE DES FOYERS

Appuyez sur l'un des boutons "B" correspondant au foyer que vous souhaitez utiliser. Sélectionnez la puissance désirée en appuyant sur les boutons "E" ou "C". Les allures de la table de cuisson vont de 1 à 9. Appuyez sur les boutons "+/-" en même temps pour effacer tous les réglages.

REMARQUE IMPORTANTE: le contrôle est désactivé 10 secondes après que le niveau de cuisson a été sélectionné.

Pour modifier la puissance de cuisson, appuyez d'abord sur le bouton de sélection "B", puis modifiez le réglage à l'aide des boutons "E" ou "C".

TIMER (MINUTEUR)

Pour configurer la fonction Minuteur, sélectionnez un foyer et indiquez le niveau de puissance, appuyez de nouveau sur la touche du foyer: un point lumineux s'allume sur l'afficheur du foyer à temporiser. Les 2 afficheurs indiquent "00" clignotant appuyer les boutons "C" ou "E" pour modifier le temps de 1 à 99.

REMARQUE IMPORTANTE: au bout de 10 secondes, les afficheurs du minuteur visualiseront le niveau de puissance des autres foyers.

Pour visualiser le temps qui reste, appuyez deux fois sur le foyer temporisé.

FONCTION A

Cette fonction permet de diminuer automatiquement le niveau de puissance de la zone de cuisson de la valeur la plus élevée (niveau 9) à celle sélectionnée par l'utilisateur pour une phase ultérieure de cuisson.

Pour activer cette fonction, appuyez sur la touche "+" lorsque vous atteignez le niveau 9.

L'écran affiche "A" et "9" clignote en alternance avec une faible luminosité.

À ce stade, choisissez le niveau de puissance souhaité (moins de 9) avec la touche “-”.

“A” et le niveau sélectionné clignotent en alternance avec une faible luminosité sur l'écran.

La fonction est activée une fois que “A” et le niveau sélectionné clignotent en alternance avec une luminosité élevée sur l'écran.

Une fois que “A” n'est plus visible sur l'écran (la fonction “A” se coupe automatiquement après plusieurs minutes, en fonction du niveau de puissance établi), le processus de cuisson se poursuit avec une puissance inférieure et l'écran n'affiche que le niveau de puissance sélectionné.

N.B.: cette fonction n'est pas possible avec le niveau 9.



VERROUILLAGE DU PANNEAU DE COMMANDE

La fonction Verrouillage du panneau de commande est activée en appuyant sur le bouton “D” jusqu'à ce que le voyant rouge s'allume au-dessus du bouton de la fonction. Le panneau de commande est verrouillé, à l'exception de la fonction Arrêt. Cette fonction reste activée même si vous éteignez, puis rallumez la plaque de cuisson; vous pouvez la désactiver en appuyant de nouveau sur la touche “D” jusqu'à ce que le point au-dessus de la fonction disparaisse.

Lorsque la table de cuisson est éteinte avec le verrouillage du panneau de commande activé, pour allumer la table de cuisson, il faut tout d'abord désactiver la fonction de verrouillage du panneau de commande en appuyant sur le bouton “D” jusqu'à ce que le point au-dessus de la touche de fonction s'éteigne.

La présence d'eau, d'éclaboussures provenant des casseroles, ou un objet appuyé sur les commandes peut accidentellement activer ou désactiver la fonction Verrouillage du panneau de commande.



INDICATEUR DE CHALEUR RÉSIDUELLE

Lorsque le foyer de cuisson a été mis hors tension, l'indicateur de chaleur résiduelle “H” reste allumé ou clignote en alternance avec “0” tant que la température dépasse les limites de sécurité.

REMARQUE IMPORTANTE: Pour des raisons de sécurité, la table de cuisson est équipée d'une fonction d'arrêt automatique. Une utilisation prolongée du même interrupteur de réglage de l'allure chauffe éteint automatiquement la zone de cuisson (par exemple, après 1 heure environ à la puissance maximum, la zone de cuisson sera désactivée).

IMPORTANT: Pour éviter d'endommager la table de cuisson de manière permanente:

- n'utilisez pas de récipients dont les fonds ne sont pas plats;
- n'utilisez pas de récipients métalliques avec un fond émaillé;
- ne placez pas de récipients/casseroles chaudes sur le panneau de commande.

La table de cuisson est également équipée de la fonction “arrêt automatique” qui coupe la zone de cuisson si aucune modification du niveau de puissance n'est effectuée après un laps de temps spécifique qui dépend du réglage de puissance lui-même. Dans le tableau figure la durée de chaque niveau de puissance.

NIVEAU DE PUISSANCE	TEMPS D'ARRÊT AUTOMATIQUE
0	30 secondes
1	10 heures
2	5 heures
3	5 heures
4	4 heures
5	3 heures
6	2 heures
7	2 heures
8	2 heures
9	1 heure

TABLEAU DE CUISSON

NIVEAU DE PUISSANCE		TYPE DE CUISSON	UTILISATION DU NIVEAU (valeur indicative pouvant être adaptée en fonction de l'expérience et des habitudes de chacun)
Puissance maximale	9	Bouillir	Idéal pour augmenter rapidement la température des aliments, notamment pour faire bouillir de l'eau ou chauffer des liquides de cuisson rapidement.
	9 – 8	Grill	Idéal pour faire dorer, lancer une cuisson, faire frire des aliments surgelés, porter rapidement à ébullition.
Puissance élevée	8 – 7	Dorer – maintenir l'ébullition – griller	Idéal pour faire dorer, maintenir une ébullition vive, cuire et griller (courte durée, 5-10 minutes).
	7 – 6	Frire – cuire – griller	Idéal pour maintenir une ébullition légère, cuire et griller (durée moyenne, 10-20 minutes), préchauffer et frire.
Puissance moyenne	6 – 5	Friture douce	Idéal pour faire cuire des œufs, des omelettes.
	5 – 4	Cuire – faire frémir – cuire à l'étouffée	Idéal pour une cuisson prolongée (riz, sauces, rôtis, poisson) avec des liquides (par ex. eau, vin, bouillon, lait), pour préparer la sauce des pâtes.
	4 – 3	Épaissir – Préparer la sauce des pâtes	
Basse puissance	2 – 1	Garder les aliments au chaud – préparer un risotto	Idéal pour maintenir les aliments juste cuits au chaud (par exemple sauces, soupes et minestrone), préparer du risotto et maintenir au chaud les plats.
Puissance minimum	1	Décongélation	Idéale pour ramollir le beurre, faire fondre délicatement le chocolat, décongeler des aliments de petite taille.
Puissance zéro	0	–	La table de cuisson est en veille ou éteinte (la présence de chaleur résiduelle à la fin de la cuisson est indiquée par un “H”).

NETTOYAGE ET ENTRETIEN

⚠ Débranchez l'appareil de l'alimentation électrique.

- N'utilisez pas d'appareil de nettoyage à vapeur.
- N'utilisez pas d'éponges abrasives ni de tampons à récurer car ils peuvent endommager le verre.
- Après chaque utilisation, laissez refroidir la table de cuisson et nettoyez-la de façon à éliminer les résidus d'aliments incrustés et les taches.

- Le sucre et les aliments très sucrés peuvent abîmer la table de cuisson et doivent être éliminés immédiatement.
- Le sel, le sucre et le sable peuvent rayer la surface en verre.
- Utilisez un chiffon doux, un essuie-tout, ou un nettoyant pour cuisinière pour nettoyer la table de cuisson (suivez les consignes du fabricant).
- Des déversements de liquide dans les zones de cuisson peuvent provoquer le déplacement ou la vibration des casseroles.
- Après le nettoyage de la table de cuisson, séchez-la soigneusement.

GUIDE DE DÉPANNAGE

En cas de mauvais fonctionnement de la table de cuisson, avant de contacter le Service Après-vente, consultez le chapitre Guide de dépannage afin d'identifier le problème.

- Il convient de lire et de suivre les instructions indiquées dans la section "Usage quotidien".
- Contrôlez que l'alimentation électrique n'a pas été coupée.
- Séchez soigneusement la table de cuisson après l'avoir nettoyée.
- Si un foyer a été sélectionné et que "F" ou "ER" suivi d'un numéro est visualisé sur l'afficheur, contactez le Service après-vente.
- Si le code inconvenient est "F03", "ER03" ou "E02", tentez de le résoudre en suivant les instructions ci-après :
 - Si l'erreur "E02" apparaît, assurez-vous de ne pas avoir appuyé pendant plus de 5 secondes sur une touche, qu'aucun objet ne se trouve sur la zone de l'IHM et qu'elle est propre et sèche - lors du nettoyage, merci de suivre les instructions du paragraphe Nettoyage et Entretien.
 - Si l'erreur "F03" apparaît, tentez de couper la table de cuisson, puis de la rallumer.
 - Si l'erreur "F04", contactez le Service après-vente et communiquez-leur le code qui est affiché.

- Si après avoir fonctionné pendant un laps de temps relativement long, la table de cuisson s'arrête, cela signifie que la température interne de celle-ci est trop élevée. Laissez refroidir la table de cuisson pendant quelques minutes.
- Si le chauffage n'est pas continuellement allumé mais s'allume et s'éteint de manière cyclique même si le niveau de puissance sur l'écran ne change pas, cela fait partie du fonctionnement normal de la table de cuisson. Le cycle marche/arrêt permet la régulation de puissance du chauffage et cela est totalement normal. Dans certains cas, une protection thermique pourrait couper le chauffage quelque temps pour éviter des dommages au verre. Des exemples de ces cas sont les suivants: une cuisson longue à un niveau de puissance élevé, en utilisant des casseroles plus petites que l'élément chauffant et des casseroles sans fond plat.
- Si la table de cuisson émet un bref signal sans que le client n'appuie sur une touche, faites attention aux éventuelles éclaboussures de liquide sur l'IHM. Essayez l'IHM et continuez d'utiliser la table de cuisson. Si la table de cuisson a été automatiquement coupée, cela peut être provoqué par la présence de liquide sur l'IHM. Essayez l'IHM et rallumez la table de cuisson.

Si le problème persiste après ces vérifications, contactez votre Service Après-vente le plus proche.

SERVICE APRÈS-VENTE

Afin de profiter d'une assistance complète, veuillez enregistrer votre appareil sur www.whirlpool.eu/register.

AVANT D'APPELER LE SERVICE APRÈS-VENTE:

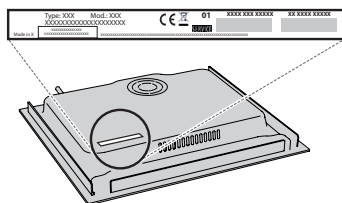
1. Vérifiez en premier lieu si vous pouvez remédier au problème à l'aide des suggestions de la section **GUIDE DE DÉPANNAGE**.
2. Éteignez puis rallumez l'appareil pour voir si le problème persiste.

SI LE PROBLÈME PERSISTE TOUJOURS APRÈS LES VÉRIFICATIONS PRÉCÉDENTES, CONTACTER LE SERVICE APRÈS-VENTE LE PLUS PRÈS.

Pour obtenir du support, appeler le numéro disponible dans le livret de garantie ou suivez les consignes sur le site Web www.whirlpool.eu.

Lorsque vous contactez notre Service Après-vente, toujours préciser:

- une brève description du problème;
- le type et le modèle exact de l'appareil;

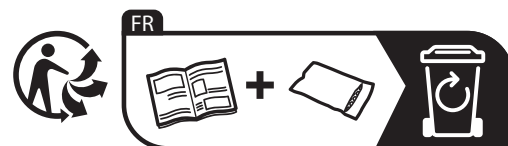


- le numéro de série (numéro après le mot SN sur la plaque signalétique située sous l'appareil). Le numéro de série est également indiqué dans la documentation;



- votre adresse complète ;
- votre numéro de téléphone.

Si des réparations sont nécessaires, contactez un service après-vente agréé (vous aurez ainsi la garantie que les pièces défectueuses seront remplacées par des pièces d'origine et que la réparation de votre appareil sera effectuée correctement).



Vous trouverez les politiques, la documentation standard et des informations supplémentaires sur le produit :

- En utilisant le QR Code dans votre appareil;
- En visitant notre site Internet docs.whirlpool.eu;
- Vous pouvez également **contacter notre service après-vente** (voir numéro de téléphone dans le livret de garantie). Lorsque vous contactez notre Service après-vente, veuillez indiquer les codes figurant sur la plaque signalétique de l'appareil.



Download de complete handleiding op <http://docs.whirlpool.eu> of bel het telefoonnummer dat in het garantieboekje staat.

Lees voordat u het apparaat gaat gebruiken deze veiligheidsinstructies. Houd ze binnen handbereik voor toekomstige raadpleging.

Deze instructies en het apparaat zelf zijn voorzien van belangrijke veiligheidsaanwijzingen, die te allen tijde moeten worden opgevolgd. De fabrikant kan niet aansprakelijk gesteld worden voor schade die het gevolg is van het niet opvolgen van deze veiligheidsinstructies, oneigenlijk gebruik van het apparaat of een foute instelling van de regelknoppen.

⚠ **WAARSCHUWING:** Als het oppervlak van de kookplaat gebarsten is, gebruik het apparaat niet - risico voor elektrocutie.

⚠ **WAARSCHUWING:** Brandgevaar: leg geen voorwerpen op de kookoppervlakken.

⚠ **VOORZICHTIG:** Het bereidingsproces moet onder toezicht plaatsvinden. Een kort bereidingsproces moet onder voortdurend toezicht plaatsvinden.

⚠ **WAARSCHUWING:** Onbewaakt bereiden op een kookfornuis met vet of olie kan gevaarlijk zijn - brandgevaar. Tracht NOOIT een brand te blussen met water: schakel daarentegen het apparaat uit en bedek vervolgens de vlam, bijv. met een deksel of een blusdeken.

⚠ Gebruik de kookplaat niet als werkblad of als steun. Houd kleding of andere brandbare materialen uit de buurt van het apparaat tot alle onderdelen van het apparaat helemaal zijn afgekoeld - brandgevaar.

⚠ Kleine kinderen (0-3 jaar) moeten uit de buurt van het apparaat gehouden worden. Jonge kinderen (3-8 jaar) moeten uit de buurt van het apparaat gehouden worden, tenzij ze constant onder toezicht staan. Kinderen vanaf 8 jaar en personen met verminderde fysieke, sensorische of mentale vermogens of gebrek aan ervaring en kennis, mogen dit apparaat gebruiken indien ze onder toezicht staan of instructies hebben ontvangen over veilig gebruik en de mogelijke gevaren ervan begrijpen. Kinderen mogen niet spelen met het apparaat. De reiniging en het onderhoud mogen niet door kinderen worden uitgevoerd zonder toezicht.

⚠ **WAARSCHUWING:** Het apparaat en de toegankelijke onderdelen kunnen heet worden tijdens het gebruik. Wees voorzichtig dat u de verwarmingselementen niet aanraakt. Kinderen jonger dan 8 jaar moeten uit de buurt van het apparaat worden gehouden, tenzij er voortdurend toezicht is.

TOEGESTAAN GEBRUIK

⚠ **VOORZICHTIG:** Het apparaat is niet geschikt voor inwerkingstelling met een externe schakelinrichting zoals een timer of een afzonderlijk systeem met afstandsbediening.

⚠ Dit apparaat is bedoeld voor gebruik in huishoudelijke en gelijkaardige toepassingen zoals: personeelskeukens in winkels, kantoren en overige werkomgevingen; landbouwbedrijven; klanten in hotels, motels en andere residentiële omgevingen.

⚠ Elkandergebruik is verboden (bijv. als kamerverwarming).

⚠ Dit apparaat is niet voor professioneel gebruik bestemd. Gebruik het apparaat niet buiten.

INSTALLATIE

⚠ Het apparaat moet verplaatst en geïnstalleerd worden door twee of meer personen - risico voor verwondingen. Gebruik beschermende handschoenen om uit te pakken en te installeren - risico voor snijwonden.

⚠ Laat de installatie, m.i.v. de aansluiting op het waternet (indien van toepassing) en de elektrische aansluitingen en reparaties door een gekwalificeerd technicus verrichten. Repareer of vervang geen enkel onderdeel van het apparaat, behalve als dit expliciet aangegeven wordt in de gebruikershandleiding. Houd kinderen buiten bereik van de installatieplek. Controleer na het uitpakken van het apparaat of het tijdens het transport geen beschadigingen heeft opgelopen. Neem in geval van twijfel contact op met uw leverancier of de dichtstbijzijnde Klantenservice. Bewaar het verpakkingsmateriaal (plastic, piepschuim, enz.) na de installatie buiten bereik van kinderen - verstikkingsgevaar. Het apparaat moet worden losgekoppeld van het elektriciteitsnet voordat u installatiewerkzaamheden uitvoert - risico voor elektrocutie. Tijdens de installatie dient u ervoor te zorgen dat het apparaat de voedingskabel niet beschadigt - risico voor brand of elektrocutie. Het apparaat alleen activeren als de installatie is voltooid.

⚠ Voer eerst alle zaagwerkzaamheden uit en verwijder alle spaanders en zaagresten voordat u het apparaat plaatst.

⚠ Als het apparaat niet boven een oven wordt geïnstalleerd, moet een (niet bijgeleverd) scheidingspaneel worden geïnstalleerd in het compartiment onder het apparaat.

ELEKTRISCHE WAARSCHUWINGEN

⚠ Het moet mogelijk zijn het apparaat van het elektriciteitsnet af te koppelen door de stekker uit het stopcontact te halen of via een meerpolige netschakelaar die bovenstrooms van het stopcontact is geplaatst conform de bedradingsvoorschriften en het apparaat dient geaard te zijn conform de nationale veiligheidsnormen voor elektriciteit.

⚠ Gebruik geen verlengsnoeren, meervoudige stopcontacten of adapters. Als de installatie voltooid is, mogen de elektrische onderdelen niet meer toegankelijk zijn voor de gebruiker. Gebruik het apparaat niet wanneer u natte voeten hebt of blootsvoets bent. Gebruik het apparaat niet als de stroomkabel of de stekker beschadigd is, als het apparaat niet goed werkt of als het beschadigd of gevallen is.

⚠ Installatie met behulp van een netsnoerstekker is niet toegestaan, tenzij het product reeds is uitgerust met de door de fabrikant geleverde stekker.


⚠ Als het netsnoer beschadigd is, moet het vervangen worden door de fabrikant, een servicevertegenwoordiger of gekwalificeerd personeel om risico's te voorkomen - risico voor elektrocutie.

REINIGEN EN ONDERHOUD

⚠ **WAARSCHUWING:** Het apparaat moet worden losgekoppeld van het elektriciteitsnet voordat u onderhoudswerkzaamheden uitvoert; gebruik geen stoomreinigers - risico van elektrocutie.

⚠ Gebruik geen schurende of bijtende producten, reinigingsmiddelen op chloorbasis of schuursponsjes.

VERWERKING VAN DE VERPAKKING

De verpakking kan volledig gerecycled worden, zoals door het recyclingssymbool  wordt aangegeven.

De diverse onderdelen van de verpakking mogen daarom niet bij het gewone huisvuil worden weggegooid, maar moeten worden afgevoerd volgens de plaatselijke voorschriften voor afvalverwerking.

AFDANKEN VAN HUISHOUDELIJKE APPARATUUR

Dit apparaat is vervaardigd van recyclebaar of herbruikbaar materiaal. Dank het apparaat af in overeenstemming met plaatselijke milieuvoorschriften voor afvalverwerking. Voor meer informatie over behandeling, terugwinning en recycling van huishoudelijke apparaten kunt u contact opnemen met uw plaatselijke instantie, de vuilnisophaaldienst of de winkel waar u dit apparaat hebt gekocht. Dit apparaat is gemarkeerd in overeenstemming met de Europese Richtlijn 2012/19/EU, Afgedankte Elektrische en Elektronische Apparatuur (AEEA) en met de Regeling Afgedankte Elektrische en Elektronische Apparatuur 2013 (zoals gewijzigd).

Door ervoor te zorgen dat dit product correct wordt afgedankt, helpt u schadelijke gevolgen voor het milieu en de gezondheid te voorkomen.

Het symbool  op het product of op de begeleidende documentatie geeft aan dat dit apparaat niet als huishoudelijk afval behandeld mag worden, maar dat het ingeleverd moet worden bij een speciaal inzamelingscentrum voor de recycling van elektrische en elektronische apparatuur.

TIPS OM ENERGIE TE BESPAREN

Maak zoveel mogelijk gebruik van de restwarmte van de hete plaat door de plaat uit te zetten enkele minuten voordat u stopt met koken.

De basis van uw pot of pan dient de kookplaat volledig te bedekken; een recipiënt die kleiner is dan de kookplaat veroorzaakt energieverstopping.

Dek potten en pannen af met goed aansluitende deksels terwijl u kookt en gebruik zo weinig mogelijk water. Koken zonder deksel verhoogt uw energieverbruik.

Gebruik alleen kookpotten en pannen met een vlakke bodem.

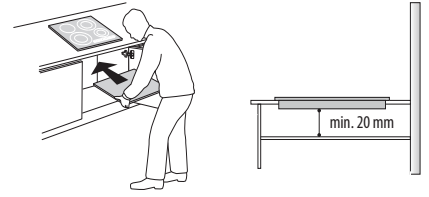
CONFORMITEITSVERKLARING

Dit apparaat voldoet aan de Ecodesign-vereisten van Europese verordening 66/2014 en de Ecodesign Verordeningen 2019 voor energiegerelateerde producten en energie-informatie (Wijziging) (EU Exit), in overeenstemming met de Europese norm EN 60350-2.



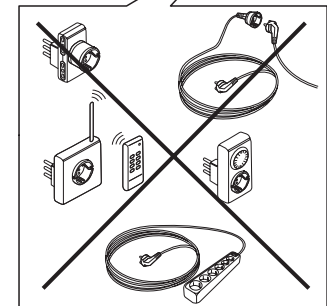
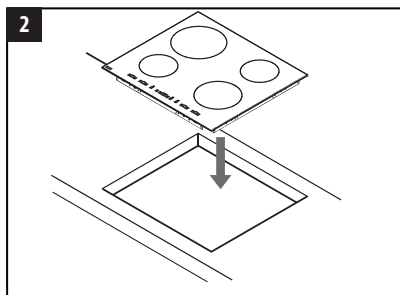
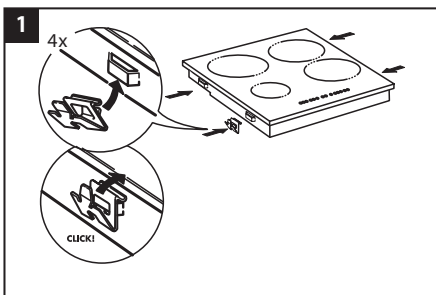
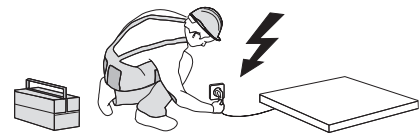
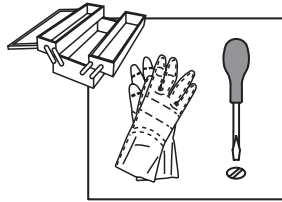
INSTALLATIE

- De kookplaat moet in een werkblad met een diepte van minimaal 20 mm worden geplaatst.
- Er mag niets tussen de kookplaat en de oven zitten (kruiselingse rails, steunen etc.).
- Zorg ervoor dat het netsnoer lang genoeg is voor een gemakkelijke installatie.
- De afstand tussen de onderkant van de glaskeramische kookplaat en de kast of het afscheidende paneel moet minstens 20 mm zijn.
- Zie de afbeelding in deze paragraaf voor inbouwafmetingen en installatie.
- Er moet een minimumafstand worden aangehouden tussen de kookplaat en de afzuigkap. Raadpleeg de gebruikershandleiding van de afzuigkap voor meer informatie.
- Breng de bij de kookplaat geleverde pakking aan (tenzij deze al is aangebracht) nadat u het oppervlak ervan hebt schoongemaakt.
- **Installeer de kookplaat niet nabij de afwasmachine of wasmachine, zodat de elektronische schakelingen niet in contact komen met stoom of vocht, die de schakelingen zouden kunnen beschadigen.**
- Als een oven onder de kookplaat geïnstalleerd is, zorg er dan voor dat deze is uitgerust met een koelsysteem. Als de temperatuur van de elektronische circuits de maximaal toegestane temperatuur overschrijdt, schakelt de kookplaat automatisch uit; wacht in dit geval enkele minuten tot de interne temperatuur van de elektronische schakelingen gedaald is tot een aanvaardbaar niveau, waarna u de kookplaat weer kunt inschakelen.

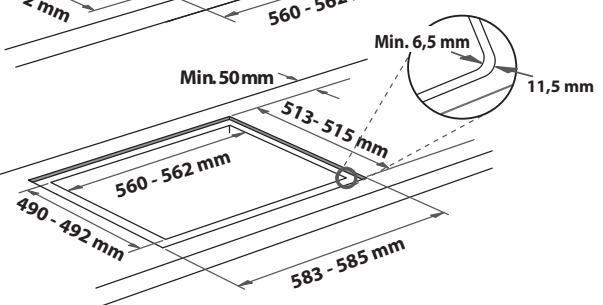
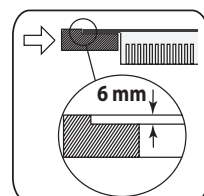
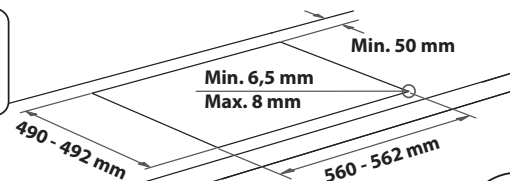
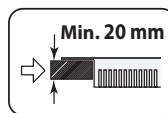
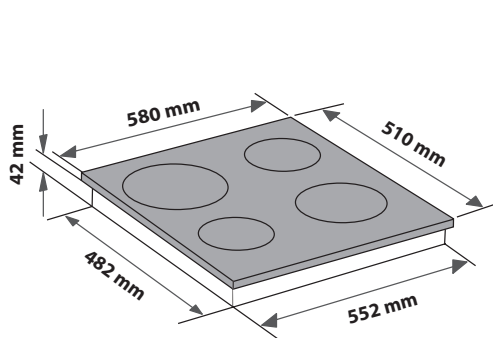
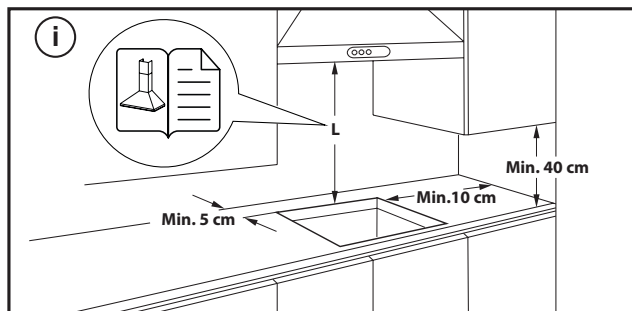


DE KOOKPLAAT PLAATSEN

Na de elektrische aansluiting (zie hoofdstuk "Elektrische aansluiting") moet elke bevestigingsklem op de daarvoor bestemde sleuven aan de zijkanten van de kookplaat worden geplaatst, zoals getoond op de afbeelding. Duw vervolgens de kookplaat in de uitsparing en controleer of het glas vlak en parallel aan het werkblad ligt. De bevestigingsklemmen zijn geschikt voor elk werkbladmateriaal (hout, marmer, enz.).



AAN TE HOUDEN AFMETINGEN EN AFSTANDEN



DE KOOKPLAAT VERWIJDEREN:

Om de kookplaat te verwijderen, koppelt u hem eerst los van de elektrische voeding. Het is raadzaam om aan de onderkant de oven, lade, afscheider of andere obstakels te verwijderen. Hierdoor kan de technicus gemakkelijk bij de onderkant van de kookplaat om de vier clips met een schroevendraaier los te maken, de kookplaat op te tillen en te verwijderen, waarbij beschadiging van het werkblad wordt vermeden.

ELEKTRISCHE AANSLUITING

De elektrische aansluiting moet tot stand gebracht worden voordat u het apparaat aansluit op het elektriciteitsnet.

Het netsnoer is niet inbegrepen in de verpakking, zorg voor uw eigen netsnoer.




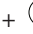
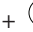
De installatie moet worden uitgevoerd door een erkend elektricien die op de hoogte is van de actuele veiligheids- en installatievoorschriften. De installatie moet in het bijzonder uitgevoerd worden in overeenstemming met de voorschriften van het plaatselijke elektriciteitsbedrijf.

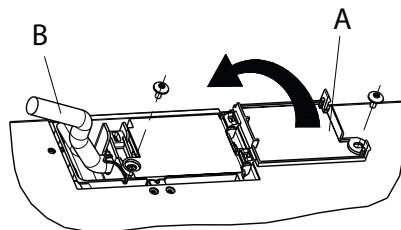
Zorg dat de spanning die op het typeplaatje aan de onderzijde van het apparaat wordt aangeduid, overeenkomt met de spanning in uw woning.

De aarding van het apparaat is wettelijk verplicht: gebruik uitsluitend stroomgeleiders (inclusief de aardleiding) van de juiste afmetingen.

AANSLUITING OP HET KLEMMENBORD

Gebruik voor elektrische aansluiting een H05RR-F of H05V2V2-F kabel, zoals vermeld staat in de onderstaande tabel.

VOEDINGSSPANNING	GELEIDERS (AANTAL x AFMETING)
220-240V ~+ 	3 x 4 mm ²
230-240V ~+ 	3 x 4 mm ² (alleen voor Australië)
220-240V 3~+ 	4 x 1,5 mm ²
380-415V 3N~+ 	5 x 1,5 mm ²
380-425V 2N~+ 	4 x 1,5 mm ²



Het apparaat moet worden aangesloten op het elektriciteitsnet via een meerpolige tussenschakelaar met een afstand van minstens 3 mm tussen de contacten.

LET OP: het netsnoer moet lang genoeg zijn om de kookplaat te kunnen verwijderen uit het werkblad, en moet zodanig geplaatst worden dat schade of oververhitting ten gevolge van contact met de plaat vermeden wordt.

OPMERKING: de geel-groene aardleiding moet aangesloten worden op de klem met het symbool  en moet langer zijn dan de andere draden.

- Strip ongeveer 70 mm van de kabelbekleding van het netsnoer (**B**) af.
- Ongeveer 10 mm kabelbekleding van de draden verwijderen. Steek het netsnoer daarna in de kabelklem en sluit de draden op het klemmenblok aan volgens het aansluitschema in de buurt van het klemmenblok.
- Bevestig het netsnoer (**B**) door middel van de kabelklem.
- Sluit het klemmenblok af met de afdekking (**A**) en bevestig hem met de schroef.
- Nadat de elektrische aansluiting tot stand is gebracht, bevestigt u de kookplaat in het werkblad en haakt u deze in de steunrichels.

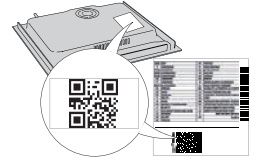
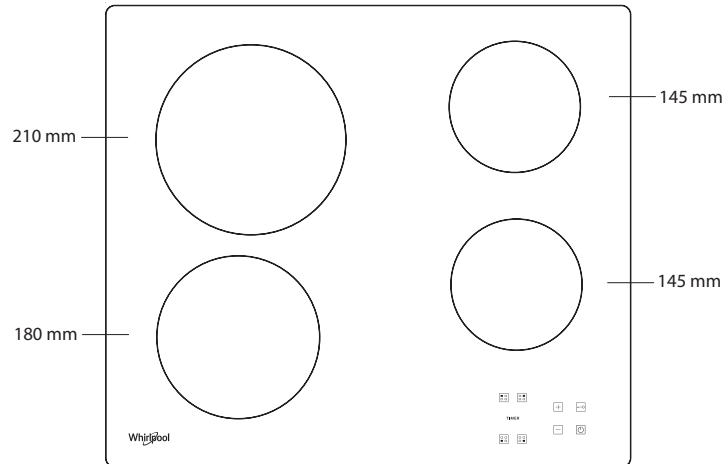
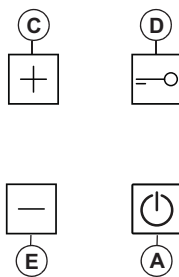
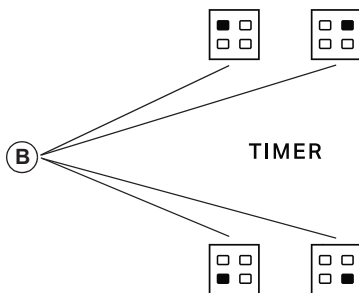
**DANK U WEL VOOR UW AANKOOP VAN EEN WHIRLPOOL PRODUCT**

Voor verdere assistentie kunt u het apparaat registreren op www.whirlpool.eu/register.



Lees de instructies aandachtig voordat u het apparaat gebruikt.

SCAN DE QR-CODE OP UW APPARAAT VOOR MEER INFORMATIE

**PRODUCTBESCHRIJVING****BEDIENINGSPANEEL**

- A** Aan/Uit
- B** Kookzone en timer selecteren
- C-E** Verwarmingsinstelling verhogen en verlagen
- D** Toetsblokkering

EERSTE GEBRUIK

Nadat de kookplaat geïnstalleerd is, voert het bedieningspaneel ongeveer 1 seconde een functietest uit, waarna de het paneel automatisch naar de functie "Toetsblokkering" schakelt.

Houd toets "D" ingedrukt om de functie te deactiveren; er klinkt een geluidssignaal en de betreffende led wordt uitgeschakeld.

OPMERKING: Herhaal de hierboven beschreven procedure bij een reset.

DAGELIJKS GEBRUIK**DE KOOKPLAAT IN-/UITSCHAKELEN (AAN/UIT)**

Houd "A" ongeveer 2 seconden ingedrukt om de kookplaat in te schakelen. Op de displays van de 4 kookzones wordt "0" weergegeven. Wordt er binnen 20 seconden geen van de kookzones geactiveerd, dan wordt de kookplaat uit voorzorg automatisch uitgeschakeld.

KOOKZONES AANZETTEN EN AANPASSEN

Druk op een van de toetsen "B" behorend bij de kookzone die u wilt gebruiken. Selecteer de gewenste verwarmingsinstelling met toets "E" of "C". De overige kookinstellingen die geselecteerd kunnen worden gaan van niveau 1 tot 9. Druk tegelijkertijd op de toetsen "+/-" om alle instellingen te annuleren.

BELANGRIJK: de bediening wordt 10 seconden na het selecteren van de verwarmingsinstelling gedeactiveerd.

Om de verwarmingsinstelling te wijzigen, drukt u eerst weer op de keuzetoets "B" en vervolgens gaat u verder met het wijzigen van de instelling met toets "E" of "C".

TIMER

Om de timerfunctie in te stellen, selecteert u de gewenste kookzone en het gewenste vermogensniveau. Vervolgens drukt u weer op de toets van de kookzone, waarna er een puntje gaat branden op het display van de kookzone die door de timer geregeld wordt. De indicatie "00" knippert op de 2 displays. Druk op de toets "C" of "E" om de tijd in te stellen van 1 tot 99.

BELANGRIJK: na 10 seconden wordt het vermogensniveau van de overige kookzones op de timerdisplays weergegeven. Om de resterende kooktijd te zien, drukt u tweemaal op de toets van de kookzone die door de timer geregeld wordt.

FUNCTIE A

Met deze functie verlaagt u het vermogensniveau van de plaat automatisch van de hoogste waarde (niveau 9) naar de waarde die voor een latere fase van de bereiding is gekozen.

Om deze functie te activeren, drukt u eerst op de toets "+" zodra niveau 9 is bereikt. Op het display verschijnt "A" en "9" knippert afwisselend met een lage helderheid.

Kies nu het gewenste vermogensniveau (minder dan 9) met de toets “-”. “A” en het gekozen niveau knipperen afwisselend met een lage helderheid op het display.

De functie wordt geactiveerd zodra “A” en het geselecteerde niveau afwisselend met hoge helderheid op het display knipperen.

Zodra “A” niet meer zichtbaar is op het display (de functie “A” schakelt automatisch uit na enkele minuten, afhankelijk van het ingestelde vermogensniveau), gaat de bereiding verder op een lager vermogen en toont het display alleen het gekozen vermogensniveau.

N.B.: deze functie is niet mogelijk met niveau 9.



TOETSBLOKKERING

De functie Toetsblokkering wordt ingeschakeld door toets “D” ingedrukt te houden tot er een puntje boven de functietoets gaat branden. Het bedieningspaneel wordt helemaal geblokkeerd, behalve de uitschakelfunctie. De functie blijft actief als de kookplaat uit- en weer ingeschakeld wordt en kan gedeactiveerd worden door weer op toets “D” te drukken tot het puntje boven de functietoets uitgeschakeld wordt.

Wanneer de kookplaat uitgeschakeld is met de toetsblokkering geactiveerd, moet u eerst de toetsblokkering uitschakelen door nogmaals op toets “D” te drukken totdat de punt boven de functietoets dooft. Vervolgens kunt u de kookplaat inschakelen.

De aanwezigheid van water, vloeistof gemorst uit pannen of voorwerpen die op de bedieningselementen rusten, kunnen de Toetsblokkering in- of uitschakelen.



RESTWARMTE-INDICATIE

Wanneer de kookzone uitgeschakeld wordt, blijft de restwarmte-indicatie “H” branden of knippert afwisselend met “0” tot de temperatuur van de kookplaat weer een veilig niveau heeft bereikt.

BELANGRIJK: Tot de veiligheidsvoorzieningen van de kookplaat behoort een automatische uitschakelfunctie. Langdurig gebruik van dezelfde verwarmingsinstelling activeert de automatische uitschakeling van de kookzone (de kookzone wordt bijvoorbeeld na 1 uur op het maximale verwarmingsniveau uitgeschakeld).

BELANGRIJK: Om blijvende schade aan de kookplaat te voorkomen:

- gebruik geen pannen met een onderkant die niet vlak is;
- gebruik geen metalen pannen met geëmailleerde onderkant
- plaats geen hete pannen op het bedieningspaneel.

De kookplaat is ook uitgerust met een “automatische uitschakeling” die de kookplaat uitschakelt als er na een bepaalde tijd, afhankelijk van de vermogensinstelling, geen wijziging van het vermogensniveau plaatsvindt. In de tabel staat de tijdsduur van elk vermogensniveau.

VERMOGENSNIVEAU	TIJD VOOR AUTOMATISCHE UITSCHAKELING
0	30 seconden ingedrukt houden
1	10 uur
2	5 uur
3	5 uur
4	4 uur
5	3 uur
6	2 uur
7	2 uur
8	2 uur
9	1 uur

BEREIDINGSTABEL

VERMOGENSNIVEAU		BEREIDINGSTYPE	GEBRUIK VAN HET NIVEAU (de indicatie hangt af van de ervaring en de bereidingsgewoonten)
Maximumvermogen	9	Koken	Ideaal om in korte tijd de temperatuur van etenswaren te verhogen tot het kookpunt, in het geval van water, of snel kookvocht te verwarmen.
	9 – 8	Schroeien	Ideaal voor braden, aan de kook brengen, bakken van diepvriesproducten, snel koken.
Hoog vermogen	8 – 7	Braden – aan de kook houden – grillen	Ideaal voor bakken, actief aan de kook houden, koken en grillen (korte duur, 5-10 minuten).
	7 – 6	Braden – koken – grillen	Ideaal voor licht aan de kook houden, koken en grillen (middellange duur, 10-20 minuten), voorverwarmen en braden.
Middelhoog vermogen	6 – 5	Zacht braden	Ideaal voor het bakken van eieren, omeletten.
	5 – 4	Koken – sudderen – stoven	Ideaal voor langdurig koken (rijst, sauzen, braadstukken, vis) met vloeistoffen (bijv. water, wijn, bouillon, melk), pasta smeug maken.
	4 – 3	Indikken – pasta smeug maken	
Laag vermogen	2 – 1	Warmhouden – roomsaus voor risotto maken	Ideaal om net bereide gerechten warm te houden (bijv. sauzen, soepen, minestrone), risotto's smeug te maken en serveerschalen warm te houden.
Minimaal vermogen	1	Ontdooien	Ideaal voor het ontdooien van kleine producten en het langzaam smelten van chocolade of boter.
Geen vermogen	0	–	Kookplaat in stand-by of uitgeschakeld (mogelijke aanwezigheid van restwarmte na afloop van de bereiding, aangegeven door “H”).

SCHOONMAKEN EN ONDERHOUD

 **Trek de stekker uit het stopcontact.**

- Gebruik geen stoomreinigers.
- Gebruik geen schuurponsjes of schuurmatjes, omdat hiermee het glas wordt beschadigd.
- Reinig de kookplaat na elk gebruik (wanneer deze is afgekoeld) om aanslag en vlekken door voedselresten te verwijderen.

- Suiker of voedsel met een hoog suikergehalte kan tot beschadiging van de kookplaat leiden en moet direct verwijderd worden.
- Door zout, suiker en zand kan het glasoppervlak bekrast raken.
- Gebruik een zachte doek, absorberend keukenpapier of een speciale kookplaatreiniger (volg de instructies van de fabrikant).
- Gemorst vloeistoffen in de kookzones kunnen ervoor zorgen dat de pannen bewegen of trillen.
- Droog de kookplaat grondig nadat deze gereinigd is.

PROBLEEMOPLOSSING

Indien de kookplaat niet naar behoren werkt, probeer dan aan de hand van Opsporen van storingen het probleem vast te stellen voordat u de Klantenservice belt.

- Lees de instructies in het gedeelte "Dagelijks gebruik" en volg ze op.
- Controleer of er geen stroomuitval is.
- Droog de kookplaat grondig nadat deze gereinigd is.
- Als een kookplaat is geselecteerd en "F" of "ER" op het display verschijnt, gevolgd door een nummer, neem dan contact op met de klantenservice.
- Als de foutcode "F03", "ER03" of "E02" is, probeer dan de volgende probleemoplossing:
 - Als de fout "E02" verschijnt, controleer dan of u niet langer dan 5 seconden op knoppen hebt gedrukt, of zich geen voorwerpen op het bedieningspaneel bevinden en of het bedieningspaneel schoon en droog is. Zie de paragraaf Schoonmaken en onderhoud.
 - Als de fout "F03" verschijnt, probeer dan de kookplaat uit en weer aan te zetten.
 - Als de fout "F04" verschijnt, neem dan contact op met de klantenservice met de weergegeven code.
- Als de kookplaat niet werkt na intensief gebruik, dan is de binnentemperatuur van de kookplaat te hoog. Wacht een paar minuten tot de kookplaat is afgekoeld.

- Als het verwarmingselement niet continu aan staat maar in- en uitschakelt, waarbij het vermogensniveau op het display niet verandert, maakt dit deel uit van de normale werking van de kookplaat. Het in- en uitschakelen maakt deel uit van de vermogensregeling van de verwarming en is volkomen normaal. In sommige gevallen kan de thermische beveiliging de verwarming enige tijd uitschakelen om glasschade te voorkomen. Voorbeelden hiervan zijn: lang koken op een hoog vermogen, pannen gebruiken die kleiner zijn dan het verwarmingselement en pannen zonder platte bodem gebruiken.
- Als de kookplaat een kortstondig geluid maakt zonder dat er op een knop is gedrukt, kijk dan of er vloeistoffen op het bedieningspaneel zijn gemorst. Droog het bedieningspaneel en ga verder met het gebruik van de kookplaat. Als de kookplaat automatisch is uitgeschakeld, is er mogelijk een vloeistof op het bedieningspaneel gemorst. Droog het bedieningspaneel en schakel de kookplaat weer in.

Als na het uitvoeren van deze controles de storing nog steeds aanwezig is, contact opnemen met de dichtstbijzijnde Klantenservice.

CONSUMENTENSERVICE

Voor verdere assistentie kunt u het apparaat registreren op www.whirlpool.eu/register.

VOORDAT U CONTACT OPNEEMT MET DE KLANTENSERVICE:

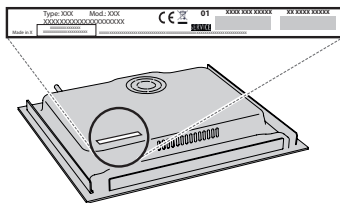
1. Kijk of u het probleem zelf kunt oplossen met behulp van de aanwijzingen in het hoofdstuk **PROBLEEMOPLOSSING**.
2. Zet het apparaat aan en uit om te controleren of het probleem is opgelost.

ALS NA HET UITVOEREN VAN DEZE CONTROLES DE STORING NOG STEEDS AANWEZIG IS, NEEMT U CONTACT OP MET DE DICHTSTBIJZIJNDE KLANTENSERVICE.

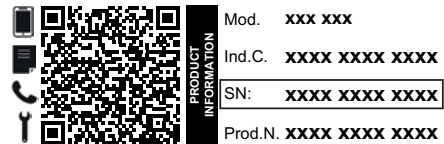
Om assistentie te vragen, bel het nummer aangegeven in het garantieboekje of volg de instructies op de website www.whirlpool.eu.

Wanneer u contact opneemt met onze Klantendienst, vermeld altijd:

- een korte beschrijving van de storing;
- het type en het exacte model van het apparaat;



- het serienummer (nummer na het woord SN op het typeplaatje aan de onderkant van het apparaat). Het serienummer is ook vermeld in de documentatie;



- uw volledige adres;
- uw telefoonnummer

Wend u tot een erkende Whirlpool Consumenten Service indien reparatie noodzakelijk is (alleen dan heeft u zekerheid dat originele vervangingsonderdelen worden gebruikt en de reparatie correct wordt uitgevoerd).

Beleid, standaarddocumentatie en aanvullende productinformatie vindt u:

- Met de QR-code van uw apparaat;
- Op onze website docs.whirlpool.eu;
- Anders, **contacteer onze Klantenservice** (Het telefoonnummer staat in het garantieboekje). Wanneer u contact opneemt met de Klantenservice, gelieve de codes te vermelden die op het identificatieplaatje van het apparaat staan.



INSTRUCCIONES DE SEGURIDAD

ES IMPORTANTE QUE LEA Y SIGA LAS SIGUIENTES RECOMENDACIONES

Descargue el manual de instrucciones completo en <http://docs.whirlpool.eu> o llame al número de teléfono que se muestra en el folleto de la garantía.

Antes de usar el aparato, lea atentamente estas instrucciones de seguridad. Téngalas a mano para consultarlas más adelante.

Este manual y el propio aparato contienen advertencias de seguridad que se deben leer y seguir en todo momento. El fabricante declina cualquier responsabilidad derivada del incumplimiento de estas instrucciones de seguridad, del uso indebido del aparato o del ajuste incorrecto de los mandos.

⚠ **ADVERTENCIA:** Si la superficie de la placa está agrietada, no utilice el aparato, hay riesgo de descarga eléctrica.

⚠ **ADVERTENCIA:** Peligro de incendio: no deje ningún objeto sobre las superficies de cocción.

⚠ **PRECAUCIÓN:** El proceso de cocción tiene que ser supervisado. Un proceso de cocción corto tiene que ser supervisado continuamente.

⚠ **ADVERTENCIA:** Cocinar con grasa o aceite en una placa sin vigilancia puede resultar peligroso, hay riesgo de incendio. No intente NUNCA apagar un incendio con agua: en lugar de ello, apague el aparato y luego cubra las llamas con una tapa o una manta ignífuga p. ej.

⚠ No utilice la placa como superficie de trabajo o apoyo. Mantenga los paños y otros materiales inflamables alejados del aparato hasta que todos los componentes se hayan enfriado por completo; hay riesgo de incendio.

⚠ Los niños muy pequeños (0-3 años) deben mantenerse alejados del aparato. Los niños pequeños (3-8 años) deben mantenerse alejados del aparato, a menos que estén bajo vigilancia constante. Tanto los niños a partir de 8 años como las personas cuyas capacidades físicas, sensoriales o mentales estén disminuidas o que carezcan de la experiencia y conocimientos necesarios pueden utilizar este aparato si reciben la supervisión o las instrucciones necesarias para utilizarlo de forma segura y comprenden los riesgos a los que se exponen. Los niños no deberán jugar con el aparato. Los niños no deben encargarse de la limpieza y el mantenimiento, a menos que estén supervisados.

⚠ **ADVERTENCIA:** El aparato y las partes accesibles se calientan durante el uso. Es necesario prestar atención para no tocar los elementos calefactores. Mantenga alejados a los niños menores 8 años salvo que sean supervisados continuamente.

USO PERMITIDO

⚠ **PRECAUCIÓN:** El aparato no está diseñado para su uso con un temporizador externo o un sistema de mando a distancia.

⚠ Este aparato está destinado a un uso en ambientes domésticos o en ambientes similares como: áreas de cocina en oficinas, tiendas y otros entornos laborales; granjas; por los clientes de hoteles, moteles y otros entornos residenciales.

⚠ No se admite ningún otro uso (p. ej., calentar habitaciones).

⚠ Este aparato no es para uso profesional. No utilice este aparato al aire libre.

INSTALACIÓN

⚠ La manipulación e instalación del aparato la deben realizar dos o más personas; hay riesgo de lesionarse. Utilice guantes de protección para desembalar e instalar el aparato; hay riesgo de cortarse.

⚠ La instalación, incluido el suministro de agua (si lo hay), las conexiones eléctricas y las reparaciones deben ser efectuadas por un técnico cualificado. No realice reparaciones ni sustituciones de partes del aparato no indicadas específicamente en el manual del usuario. Impida que los niños se acerquen a la zona de la instalación. Tras desembalar el aparato, compruebe que no haya sufrido daños durante el transporte. Si observa algún problema, póngase en contacto con el distribuidor o el Servicio Postventa más cercano. Una vez instalado, los residuos del embalaje (plástico, porexpan, etc.) se deben guardar fuera del alcance de los niños; hay riesgo de asfixia. El aparato debe desconectarse del suministro eléctrico antes de efectuar cualquier operación de instalación; hay riesgo de descarga eléctrica. Durante la instalación, compruebe que el aparato no dañe el cable de alimentación; hay riesgo de descarga eléctrica. No ponga en marcha el aparato hasta que no haya terminado el proceso de instalación.

⚠ Realice todas las operaciones de corte de armarios antes de encistar el aparato y limpie todas las astillas y el serrín.

⚠ Si el aparato no está instalado encima de un horno, debe instalarse un panel separador (no incluido) en el compartimento debajo del aparato.

ADVERTENCIAS SOBRE ELECTRICIDAD


⚠ Debe ser posible desconectar el aparato de la alimentación eléctrica desenchufándolo si el enchufe es accesible o mediante un interruptor omnipolar instalado antes del enchufe, de conformidad con las normativas de cableado y el aparato debe conectarse a una toma de tierra de acuerdo con las normativas de seguridad vigentes en materia de electricidad.

⚠ No utilice alargadores, regletas ni adaptadores. Una vez terminada la instalación, los componentes eléctricos no deberán quedar accesibles para el usuario. No use el aparato si está mojado o va descalzo. No use este aparato si tiene un cable o un enchufe de red dañado, si no funciona bien, o si se ha dañado o se ha caído.

⚠ No se permite la instalación con un enchufe de cable de alimentación, a menos que el producto ya esté equipado con aquel proporcionado por el fabricante.


⚠ Si el cable de alimentación está dañado, sólo debe sustituirlo por otro idéntico por el fabricante, personal cualificado del servicio de asistencia técnica del fabricante o similar para evitar daños; hay riesgo de descarga eléctrica.

LIMPIEZA Y MANTENIMIENTO

 **ADVERTENCIA:** Asegúrese de que el aparato esté apagado y desconectado del suministro eléctrico antes de realizar cualquier operación de mantenimiento; no utilice aparatos de limpieza con vapor, hay riesgo de descarga eléctrica.

 No utilice productos abrasivos o corrosivos, limpiadores con cloro ni estropajos metálicos.


ELIMINACIÓN DEL MATERIAL DE EMBALAJE

El material de embalaje es 100% reciclable y está marcado con el símbolo de reciclaje .

Por lo tanto, deberá desechar las diferentes piezas del embalaje de forma responsable, respetando siempre las normas locales sobre eliminación de residuos.

ELIMINACIÓN DE LOS ELECTRODOMÉSTICOS

Este aparato ha sido fabricado con material reciclable o reutilizable. Debe desecharse de acuerdo con la normativa local al respecto. Para obtener información más detallada sobre el tratamiento, recuperación y reciclaje de aparatos eléctricos domésticos, póngase en contacto con las autoridades locales, con el servicio de recogida de residuos urbanos, o con la tienda en la que adquirió el aparato. Este electrodoméstico lleva el marcado CE de conformidad con la Directiva Europea 2012/19/UE sobre Residuos de Aparatos Eléctricos y Electrónicos (RAEE) y con la normativa de Residuos de Aparatos Eléctricos y Electrónicos de 2013 (modificada). La correcta eliminación de este producto evita consecuencias negativas para el medio ambiente y la salud.

El símbolo  que se incluye en el aparato o en la documentación que lo acompaña indica que no puede tratarse como un residuo doméstico, sino que debe entregarse en un punto de recogida adecuado para el reciclado de aparatos eléctricos y electrónicos.

CONSEJOS PARA AHORRAR ENERGÍA

Saque el máximo partido al calor residual de su placa apagándola unos minutos antes de terminar de cocinar.

La base de la olla o la sartén debe cubrir la placa por completo; si se utiliza un recipiente más pequeño que la placa, se estará desaprovechando la energía.

Tape sus ollas y sartenes con tapas que se ajusten bien mientras cocine y utilice la menor cantidad de agua posible. Cocinar sin tapa incrementa considerablemente el consumo de energía.

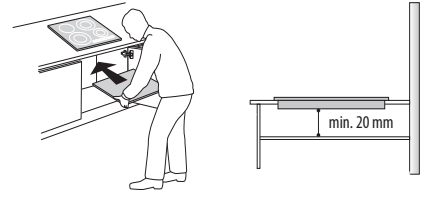
Utilice únicamente ollas y sartenes con base plana.

DECLARACIÓN DE CONFORMIDAD

Este aparato cumple con los requisitos de diseño ecológico del Reglamento europeo n.º 66/2014 y con el Reglamento de diseño ecológico aplicable a los productos relacionados con la energía y el Reglamento sobre la información energética (enmienda) (salida de la UE) de 2019, en cumplimiento con la norma europea EN 60350-2.

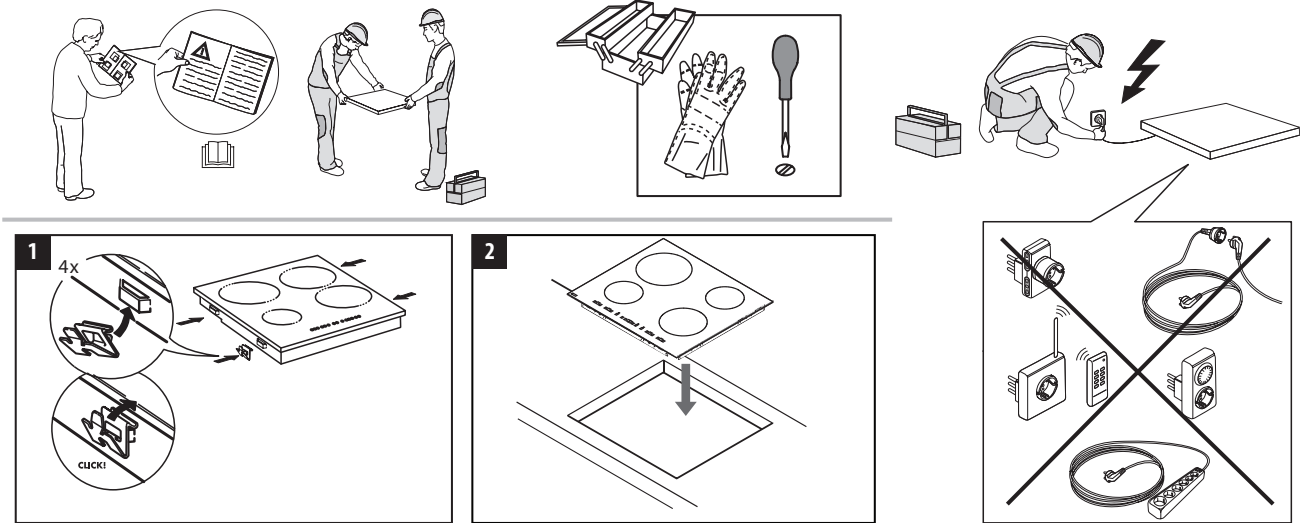
INSTALACIÓN

- La placa de cocción debe colocarse en una encimera de al menos 20 mm de profundidad.
- Es preciso que no haya ningún elemento entre la placa y el horno (carriles transversales, soportes, etc.).
- Asegúrese de que el cable de alimentación es lo suficientemente largo para permitir una instalación cómoda.
- **La distancia entre la cara inferior de la placa y el armario o panel de separación debe ser como mínimo de 20 mm.**
- Consulte las medidas y la instalación en la ilustración de este apartado.
- Se tiene que mantener una distancia mínima entre la placa y la campana. Consulte el manual del usuario de la campana para más información.
- Aplique la junta suministrada con la placa de cocción (si todavía no está instalada) después de limpiar su superficie.
- **No instale la placa de cocción cerca del lavavajillas ni la lavadora para evitar la exposición de los circuitos electrónicos a vapor o humedad, que podría dañarlos.**
- Si debajo de la placa de cocción hay instalado un horno, asegúrese de que esté equipado con un sistema de refrigeración. Si la temperatura de los circuitos electrónicos supera la temperatura máxima permitida, la placa de cocción se apagará automáticamente; en este caso, espere unos minutos hasta que la temperatura de los circuitos descienda a un nivel aceptable y podrá volver a encender la placa.

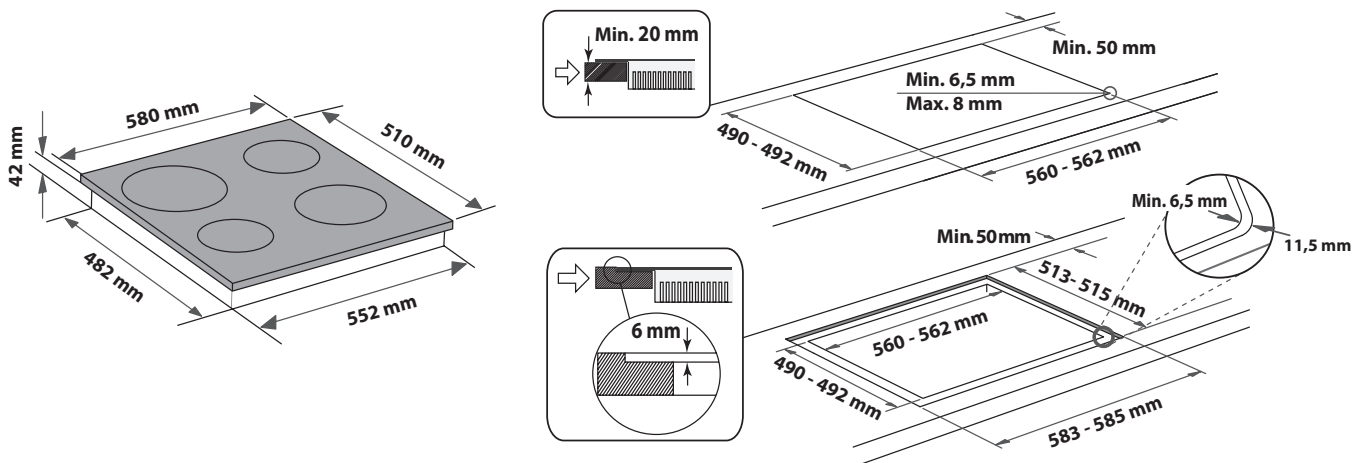
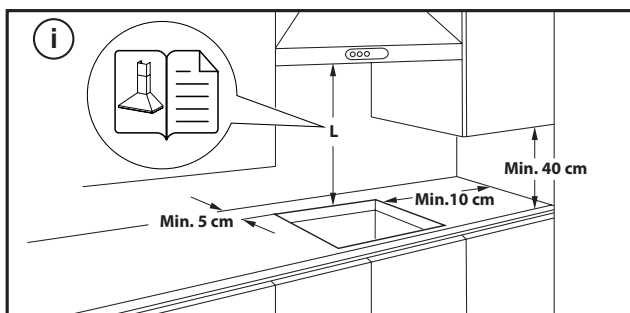


COLOCACIÓN DE LA PLACA

Una vez realizada la conexión eléctrica (consulte el apartado "Conexión eléctrica"), coloque los enganches en las ranuras correspondientes de los laterales de la placa, tal como se muestra en la ilustración. Después, presione la placa para encajarla en el hueco y compruebe que el cristal quede plano y paralelo a la encimera. Los enganches son aptos para todo tipo de encimeras (de madera, de mármol, etc.).



DIMENSIONES Y DISTANCIAS QUE DEBEN RESPETARSE



DESMONTAJE DE LA PLACA:

Para desmontar la placa, primero hay que desconectarla de la red eléctrica. Se recomienda encarecidamente liberar la parte inferior del horno, cajón, separador u otro. Esto permite al técnico acceder a la parte inferior de la placa para soltar los cuatro clips con un destornillador, levantar la placa y retirarla, evitando dañar la encimera.

CONEXIÓN ELÉCTRICA

Las conexiones eléctricas deben realizarse antes de enchufar el aparato a la toma de electricidad.

El cable de alimentación no está incluido en el paquete. Recuerde preparar su propio cable de alimentación.




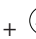
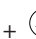
La instalación la debe realizar personal cualificado que conozca la normativa vigente sobre seguridad e instalación. En concreto, la instalación debe llevarse a cabo de acuerdo con la normativa de la compañía eléctrica local.

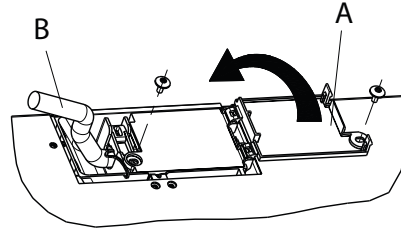
Compruebe que el voltaje especificado en la placa de datos situada en la parte inferior del electrodoméstico es el mismo que para la vivienda.

La puesta a tierra del aparato es obligatoria por ley: utilice exclusivamente conductores (incluido el de tierra) de las medidas apropiadas.

CONEXIÓN AL BLOQUE DE TERMINALES


Para la conexión eléctrica, utilice un cable H05RR-F o H05V2V2-F como se especifica en la tabla siguiente.

TENSIÓN DE ALIMENTACIÓN	CONDUCTORES (CANTIDAD x TAMAÑO)
220-240V ~ + 	3 x 4 mm ²
230-240V ~ + 	3 x 4 mm ² (sólo para Australia)
220-240V 3~ + 	4 x 1,5 mm ²
380-415V 3N~ + 	5 x 1,5 mm ²
380-425V 2N~ + 	4 x 1,5 mm ²



El aparato debe enchufarse a la alimentación mediante un interruptor seccionador multipolar con un espacio de contacto mínimo de 3 mm.

ATENCIÓN: El cable de alimentación debe tener una longitud suficiente para que la placa de cocción pueda retirarse de la encimera, y colocarse de forma que no sufra daños ni esté sometido a calor excesivo causado por el contacto con la base.

NOTA: el hilo de toma de tierra (amarillo/verde) debe conectarse al terminal que tiene el símbolo correspondiente , y ser más largo que el resto de hilos.

- Quite aproximadamente 70 mm de la cubierta del cable de alimentación (B).
- Quite unos 10 mm del recubrimiento protector de los hilos. Inserte el cable de alimentación en la abrazadera y conecte los cables al bloque de terminales, como se indica en el diagrama de cableado situado cerca del propio bloque.
- Fije el cable de alimentación (B) con la abrazadera.
- Cierre la placa de conexiones con la tapa (A) y fíjela con el tornillo.
- Terminada la conexión eléctrica, encaje la placa por la parte superior y fíjela a los resortes de sujeción.



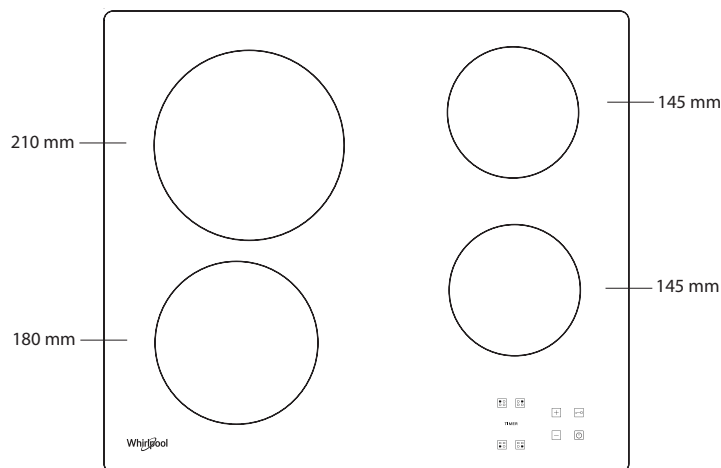
GRACIAS POR ADQUIRIR UN PRODUCTO WHIRLPOOL
Para recibir una asistencia más completa, registre su producto en www.whirlpool.eu/register.

ESCANEE EL CÓDIGO QR DE SU APARATO PARA OBTENER MÁS INFORMACIÓN

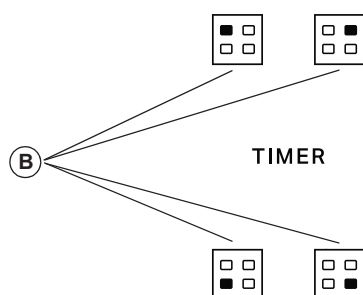


Antes de usar el aparato, lea atentamente las Instrucciones de seguridad.

DESCRIPCIÓN DEL PRODUCTO



PANEL DE CONTROL



- A** Encendido/Apagado
- B** Selección de zonas de cocción y timer
- C-E** Aumento y disminución del nivel de potencia
- D** Bloqueo de teclas

PRIMER USO

Al primer encendido, el panel de mandos hará una prueba funcional de aproximadamente 1 segundo, después de lo cual se pondrá automáticamente en la función "Bloqueo de teclas". Pulsar de modo prolongado la tecla "D" para

desactivar la función; la placa emite una señal acústica y el testigo se apaga.

NOTA: En caso de reset, repetir el procedimiento.

USO DIARIO



ENCENDIDO Y APAGADO DE LA PLACA

Para encender la placa de cocción hay que mantener pulsada la tecla "A" durante 2 segundos. La pantalla de las 4 zonas de cocción muestra "0". Si no se activa una zona de cocción en 20 segundos, la placa de cocción se apaga automáticamente por razones de seguridad.

ENCENDIDO Y AJUSTE DE LAS ZONAS DE COCCIÓN

Pulsar una de las teclas "B" correspondientes a la zona de cocción que se desea utilizar. Seleccionar la potencia de cocción con las teclas "E" o "C". Los niveles de cocción seleccionables van de 1 a 9. Pulsar las teclas "+/-" simultáneamente para cancelar todos los ajustes.

IMPORTANTE: una vez seleccionado el nivel de potencia, el control se desactiva a los 10 segundos.

Para modificar el nivel de potencia, pulsar la tecla de selección "B" y efectuar el ajuste con las teclas "E" o "C".

TIMER

Para programar la función Timer hay que seleccionar la zona de cocción deseada, indicar el nivel de potencia y pulsar nuevamente la tecla de la zona de cocción; se enciende un punto luminoso en la pantalla de la zona que se va a temporizar. En las 2 visualizaciones parpadea "00" pulsar las teclas "C" o "E" para variar el tiempo de 1 a 99.

IMPORTANTE: a los 10 segundos, en las pantallas del temporizador aparece el nivel de potencia de las otras zonas de cocción.

Para ver el tiempo restante, pulsar dos veces la zona de cocción temporizada.

FUNCIÓN A

Esta función permite disminuir automáticamente el nivel de potencia de la zona de cocción desde el valor más alto (nivel 9) hasta el seleccionado por el usuario para una fase posterior de la cocción.

Para activar esta función, pulse primero el botón "+" cuando se alcance el nivel 9. La pantalla muestra "A" y "9" parpadea alternativamente con poco brillo.

En este punto, elija el nivel de potencia deseado (menos de 9) con el botón "-".

“A” y el nivel seleccionado parpadean alternativamente con poco brillo en la pantalla. La función se activa una vez que “A” y el nivel seleccionado parpadean alternativamente con alto brillo en la pantalla.

Una vez que “A” deja de ser visible en la pantalla (la función “A” se desconecta automáticamente después de varios minutos, dependiendo del nivel de potencia ajustado), el proceso de cocción continúa con una potencia menor y la pantalla muestra solo el nivel de potencia seleccionado.

N.B.: esta función no es posible con el nivel 9.



BLOQUEO DE TECLAS

La función Bloqueo de teclas se activa manteniendo pulsada la tecla “D” hasta visualizar un punto luminoso sobre la tecla de función. El panel de control estará bloqueado salvo para hacer uso de la función de apagado. La función permanece activada incluso después de que se haya apagado la placa y se haya encendido de nuevo, y se puede desactivar pulsando de nuevo el botón “D” hasta que se apague el punto de encima del botón de función.

Cuando la placa de cocción está apagada con el bloqueo de teclas activado, para encender la placa de cocción, desactive primero la función de bloqueo de teclas pulsando de nuevo el botón “D” hasta que el punto situado sobre el botón de función se apague.

La presencia de agua, líquidos vertidos de recipientes o cualquier otro objeto sobre los mandos podría activar o desactivar accidentalmente el bloqueo de teclas.



INDICADOR DE CALOR RESIDUAL

Cuando la zona de cocción está apagada, el indicador de calor residual “H” permanece encendido, o parpadea alternando con “0”, hasta que la temperatura de la placa desciende a un nivel seguro.

IMPORTANTE: La placa de cocción está equipada con una función de apagado automático. Si se utiliza el mismo nivel de potencia durante mucho tiempo, la zona de cocción se apaga automáticamente (por ejemplo, después de haber funcionado durante una hora al máximo).

IMPORTANTE: Para evitar dañar la placa permanentemente:

- no utilice ollas cuya base no sea plana;
- no utilice ollas con base esmaltada;
- no ponga ollas calientes encima del panel de control.

La placa también tiene la función “Autoapagado” para apagar la zona de cocción si no se hace ninguna modificación del nivel de potencia al cabo de un periodo de tiempo determinado en función del ajuste de potencia. En la tabla se muestra la duración de cada nivel de potencia.

NIVEL DE POTENCIA	TIEMPO DE AUTOAPAGADO
0	30 segundos aproximadamente
1	10 horas
2	5 horas
3	5 horas
4	4 horas
5	3 horas
6	2 horas
7	2 horas
8	2 horas
9	1 hora

TABLA DE COCCIÓN

NIVEL DE POTENCIA		TIPO DE COCCIÓN	NIVEL (la indicación se añade a la experiencia y los hábitos de cocción)
Potencia máxima	9	Ebullición	Ideal para aumentar con rapidez la temperatura para hervir agua o calentar rápidamente líquidos de cocción.
	9 – 8	Abrasador	Ideal para dorar, comenzar a cocinar, freír productos congelados, hervir rápidamente.
Potencia alta	8 – 7	Dorar – mantener el hervor – cocinar a la parrilla	Ideal para dorar, mantener el hervor a fuego fuerte, cocinar y asar a la parrilla (duración corta, 5-10 minutos).
	7 – 6	Freír – cocinar – cocinar a la parrilla	Ideal para mantener el hervor a fuego lento, cocinar y asar a la parrilla (duración media, 10-20 minutos), precalentar y freír.
Potencia media	6 – 5	Freír suavemente	Ideal para freír huevos, tortillas.
	5 – 4	Cocer – cocer a fuego lento, guisar	Ideal para cocciones prolongadas (arroz, salsas, carnes, pescados) con líquidos (p. ej. agua, vino, caldo, leche) y para mantecar pasta.
	4 – 3	Espesar – mantecar pasta	
Potencia baja	2 – 1	Mantener calientes los alimentos – mantecar risottos	Ideal para mantener calientes los alimentos recién cocinados (por ejemplo, salsas, sopas, minestrone), mantecar risottos y mantener calientes los platos para servir.
Potencia mínima	1	Descongelando	Ideal para descongelar productos pequeños y fundir chocolate o mantequilla.
Potencia cero	0	–	Placa de cocción en posición de stand-by o apagada (posible presencia de calor residual de fin de cocción, señalado con “H”).

LIMPIEZA Y MANTENIMIENTO

Desconecte el aparato de la red eléctrica.

- No utilice aparatos de limpieza al vapor.
- No utilice esponjas o estropajos abrasivos, ya que podrían dañar el cristal.
- Después de cada uso, limpie la placa (cuando esté fría) para eliminar cualquier resto o mancha de comida.
- El azúcar o los alimentos con alto contenido de azúcar pueden dañar la placa y deben eliminarse inmediatamente.

- La sal, el azúcar y la arena podrían rayar la superficie de cristal.
- Utilice un paño suave, papel de cocina absorbente o un limpiador especial para placas (siga las instrucciones del fabricante).
- El derramamiento de líquidos en las zonas de cocción puede provocar que las ollas se muevan o vibren.
- Después de limpiar la placa, séquela bien.

RESOLUCIÓN DE PROBLEMAS

Si la placa no funciona bien, antes de llamar al Servicio Postventa, consulte la guía para la solución de problemas para determinar el problema.

- Lea y siga las instrucciones del apartado "Uso diario".
- Compruebe que no se haya interrumpido la alimentación eléctrica.
- Seque completamente la placa después de limpiarla.
- Si se ha seleccionado una zona de cocción y en la pantalla aparece "F" o bien "ER" seguido de un número, póngase en contacto con el Servicio de Asistencia Técnica.
- Si el código de error es "F03", "ER03" o "E02", intente resolverlo siguiendo estas instrucciones:
 - Si aparece el error "E02", asegúrese de que no ha pulsado los botones durante más de 5 segundos, de que no hay ningún objeto en la zona de la HMI y de que está limpia y seca - al limpiar, siga el párrafo "Limpieza y Mantenimiento".
 - Si aparece el error "F03", pruebe a apagar y encender la placa de cocción.
 - Si aparece el error "F04", póngase en contacto con el servicio postventa e indíqueles el código que aparece.

- Si la placa de cocción no funciona después de un uso intensivo, es debido a la elevada temperatura interna de los componentes. Espere unos minutos hasta que descienda la temperatura.
- Si el calentador no está encendido continuamente pero se enciende y apaga cíclicamente aunque, en la pantalla, el nivel de potencia no cambie, esto forma parte del funcionamiento normal de la placa. El ciclo de encendido/apagado permite la regulación de la potencia del calentador y es totalmente normal. En algunos casos, una protección térmica podría apagar el calentador un rato para evitar que el cristal se dañe. Ejemplos de algunos de esos casos: cocinar mucho tiempo a un nivel de potencia alto; usar recipientes más pequeños que la resistencia y bases de recipientes que no sean planos.
- Si la placa de cocción emite un breve sonido sin que el cliente pulse ningún botón, tenga cuidado con cualquier derrame de líquido en la HMI. Por favor, seque la HMI y continúe utilizando la placa. Si la placa se ha apagado automáticamente, puede deberse a la presencia de un líquido en la HMI. Por favor, seque la HMI y vuelva a encender la placa.

Si el fallo persiste después de estas comprobaciones, póngase en contacto con el Servicio de Asistencia Técnica más cercano.

SERVICIO POSTVENTA

Para recibir una asistencia más completa, registre su producto en www.whirlpool.eu/register.

ANTES DE LLAMAR AL SERVICIO POSTVENTA:

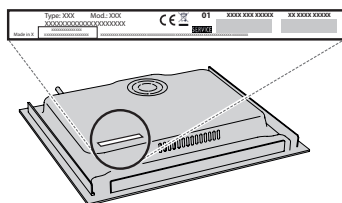
1. Intente resolver el problema consultando las recomendaciones que se ofrecen en la **GUÍA PARA LA SOLUCIÓN DE PROBLEMAS**.
2. Apague el aparato y vuelva a encenderlo para comprobar si se ha solucionado el problema.

SI EL FALLO PERSISTE DESPUÉS DE ESTAS COMPROBACIONES, PÓNGASE EN CONTACTO CON EL SERVICIO POSTVENTA.

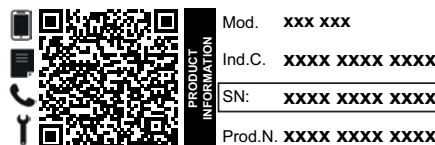
Para recibir asistencia, llame al número que aparece en el folleto de la garantía o siga las instrucciones de la página web www.whirlpool.eu.

Cuando se ponga en contacto con nuestro Servicio Postventa, especifique siempre:

- una breve descripción del problema;
- el tipo y el modelo exacto del aparato;



- el número de serie (el número que se indica tras la palabra SN en la placa de características situada debajo del aparato). El número de serie también se indica en la documentación;



- su dirección completa;
- su número de teléfono.

Si fuera necesaria alguna reparación, póngase en contacto con un Servicio Postventa autorizado (que garantiza el uso de piezas de recambio originales y una reparación correcta).

Puede consultar los reglamentos, la documentación estándar e información adicional sobre productos mediante alguna de las siguientes formas:

- Utilizando el código QR en tu aplicación;
- Visitando nuestro sitio web docs.whirlpool.eu;
- También puede **ponerse en contacto con nuestro Servicio postventa** (Consulte el número de teléfono en el folleto de la garantía). Cuando se ponga en contacto con nuestro Servicio Postventa, deberá indicar los códigos que figuran en la placa de características de su producto.



Transfira o Manual de Instruções completo em <http://docs.whirlpool.eu> ou contacte-nos através do número de telefone indicado no livrete da garantia.

Antes de utilizar o aparelho, leia estas instruções de segurança com atenção. Guarde-as por perto para consulta futura.

Estas instruções e o próprio aparelho possuem mensagens importantes relativas à segurança que deve ler e respeitar sempre. O fabricante declina qualquer responsabilidade pela inobservância das presentes instruções de segurança, pela utilização inadequada do aparelho ou pela incorreta configuração dos controlos.

⚠ **ADVERTÊNCIA:** Se a superfície da placa estiver rachada, não utilize o aparelho - risco de choque elétrico.

⚠ **ADVERTÊNCIA:** Perigo de incêndio: Não armazene quaisquer produtos nas superfícies de cozedura.

⚠ **CUIDADO:** O processo de cozedura tem de ser vigiado. Os processos de cozedura de curta duração devem ser continuamente vigiados.

⚠ **ADVERTÊNCIA:** A cozedura de alimentos com gorduras ou óleos numa placa sem vigilância pode ser perigosa - risco de incêndio. NUNCA tente apagar um incêndio com água: desligue o aparelho e depois cubra a chama, por exemplo com uma tampa ou manta antifogo.

⚠ Não utilize a placa como superfície ou suporte de trabalho. Mantenha quaisquer peças de vestuário ou outros materiais inflamáveis afastados do aparelho até que todos os componentes deste tenham arrefecido completamente, pois existe risco de incêndio.

⚠ As crianças até aos 3 anos devem ser mantidas afastadas do aparelho. As crianças entre os 3 e os 8 anos devem ser mantidas afastadas do aparelho, exceto se estiverem sob supervisão permanente. Este aparelho pode ser utilizado por crianças a partir dos 8 anos e por pessoas com capacidades físicas, sensoriais ou mentais reduzidas ou com falta de experiência e conhecimento, desde que estejam sob supervisão ou tenham recebido instruções quanto à utilização segura deste aparelho e se compreenderem os perigos envolvidos. As crianças não devem brincar com o aparelho. A limpeza e a manutenção a cargo do utilizador não devem ser realizadas por crianças sem supervisão.

⚠ **ADVERTÊNCIA:** Este aparelho e as suas peças acessíveis aquecem durante o uso. Deve ter-se cuidado para evitar tocar nos elementos quentes. Mantenha as crianças com idade inferior a 8 anos afastadas do aparelho a menos que estejam vigiadas em permanência.

UTILIZAÇÃO PERMITIDA

⚠ **CUIDADO:** o aparelho não deve ser ligado a partir de um temporizador externo, como, por exemplo, um temporizador, nem a partir de um sistema de controlo remoto em separado.

⚠ Este aparelho destina-se a ser usado em ambiente doméstico e em aplicações semelhantes tais como:

copas para utilização dos funcionários em lojas, escritórios e outros ambientes de trabalho; quintas de exploração agrícola; clientes em hotéis, motéis, *bed & breakfast* e outros tipos de ambientes residenciais.

⚠ Estão proibidos outros tipos de utilização (por exemplo, aquecimento de divisões da casa).

⚠ Este aparelho não está concebido para o uso profissional. Não utilize o aparelho no exterior.

INSTALAÇÃO

⚠ O aparelho deve ser transportado e instalado por duas ou mais pessoas, para evitar o risco de lesões. Use luvas de proteção para desembalar e instalar o aparelho, de forma a evitar o risco de cortes.

⚠ A instalação, incluindo a alimentação de água (caso seja necessário) e as ligações elétricas, bem como quaisquer reparações devem ser realizadas por um técnico devidamente qualificado. Não repare nem substitua nenhuma peça do aparelho a não ser que tal seja especificamente indicado no manual de utilização. Mantenha as crianças afastadas do local da instalação. Desembale o aparelho e certifique-se de que este não foi danificado durante o transporte. Se tiverem ocorrido problemas, contacte o revendedor ou o Serviço Pós-Venda mais próximo. Uma vez instalado o aparelho, os elementos da embalagem (plástico, peças de esferovite, etc.) devem ser armazenados longe do alcance das crianças, pois existe o risco de asfixia. Deve desligar o aparelho da corrente elétrica antes de efetuar qualquer operação de instalação, para evitar o risco de choques elétricos. Durante a instalação, certifique-se de que o aparelho não danifica o cabo de alimentação, pois existe o risco de incêndio ou de choques elétricos. Ligue o aparelho apenas após concluir a instalação do mesmo.

⚠ Execute todos os trabalhos de corte no móvel antes de instalar o forno e remova todas as lascas de madeira e serradura.

⚠ Caso o aparelho não seja instalado sobre um forno, deverá instalar um painel de separação (não incluído) no compartimento localizado sob o aparelho.

AVISOS RELATIVOS À ELETRICIDADE

⚠ Deve ser possível desligar o aparelho da fonte de alimentação, desligando-o na ficha, caso esta esteja acessível, ou através de um interruptor multipolar instalado na tomada de acordo com a regulamentação aplicável a ligações elétricas; além disso, o aparelho deve dispor de ligação à terra, de acordo com as normas de segurança elétrica nacionais.

⚠ Não utilize extensões, tomadas múltiplas ou adaptadores. Após a instalação do aparelho, os componentes elétricos devem estar inacessíveis ao utilizador. Não utilize o aparelho com os pés descalços ou molhados. Não ligue este aparelho se o cabo ou a ficha elétrica apresentar danos, se não estiver a funcionar corretamente, se estiver danificado ou se tiver caído.

⚠ A instalação utilizando uma tomada do cabo de alimentação não é permitida exceto se o produto já estiver equipado com uma tomada fornecida pelo Fabricante.

⚠ Se o cabo de alimentação estiver danificado deverá ser substituído por um idêntico do mesmo fabricante ou por um técnico de assistência ou pessoas similarmente qualificadas de modo a evitar a ocorrência de situações perigosas, pois existe o risco de choques elétricos.

LIMPEZA E MANUTENÇÃO

⚠ **ADVERTÊNCIA:** Assegure-se de que o aparelho está desligado da fonte de alimentação antes de realizar quaisquer operações de manutenção; nunca use uma máquina de limpeza a vapor para limpar o aparelho - risco de choques elétricos.

⚠ Não utilize produtos abrasivos ou corrosivos, produtos de limpeza à base de cloro, ou esfregões da louça.

ELIMINAÇÃO DA EMBALAGEM


O material da embalagem é 100% reciclável, conforme indicado pelo símbolo de reciclagem .

As várias partes da embalagem devem ser eliminadas de forma responsável e em total conformidade com as normas estabelecidas pelas autoridades locais.

ELIMINAÇÃO DE ELETRODOMÉSTICOS

Este aparelho é fabricado com materiais recicláveis ou reutilizáveis. Elimine-o em conformidade com as normas de eliminação de resíduos locais. Para obter mais informações sobre o tratamento, recuperação e reciclagem de eletrodomésticos, contacte as autoridades locais, o serviço de recolha de resíduos domésticos ou a loja onde adquiriu o aparelho. Este aparelho está classificado em conformidade com a Diretiva Europeia 2012/19/UE relativa aos Resíduos de Equipamentos Elétricos e Eletrónicos (REEE) e com os regulamentos referentes à gestão de resíduos de equipamentos elétricos e eletrónicos de 2013 (conforme alteração).

Ao assegurar a eliminação correta deste produto, estamos a proteger o ambiente e a saúde humana contra riscos negativos.

O símbolo  no produto, ou nos documentos que acompanham o produto, indica que este aparelho não deve ser tratado como resíduo doméstico e deve ser transportado para um centro de recolha adequado para proceder à reciclagem do equipamento elétrico e eletrónico.

SUGESTÕES PARA POUPAR ENERGIA

Tire o máximo partido do calor residual libertado pela sua placa durante o funcionamento da mesma, desligando-a durante alguns minutos antes de terminar a cozedura.

A base das suas panelas ou dos seus tachos deve cobrir a placa na totalidade; a utilização de recipientes mais pequenos do que a placa levará a um desperdício de energia.

Tape as suas panelas e tachos com tampas adequadas às dimensões dos mesmos durante a cozedura e utilize o mínimo de água possível. A cozedura em recipientes sem tampa aumenta fortemente o consumo de energia.

Utilize apenas panelas e tachos com um fundo plano.

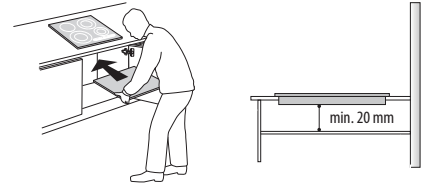
DECLARAÇÃO DE CONFORMIDADE

Este aparelho cumpre os requisitos de conceção ecológica do regulamento europeu n.º 66/2014, os requisitos de conceção ecológica dos produtos relacionados com o consumo de energia e o regulamento sobre as informações energéticas (alteração) (saída UE) de 2019 em conformidade com a norma europeia EN 60350-2.



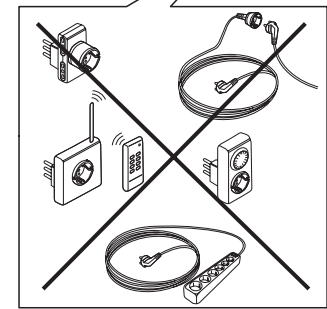
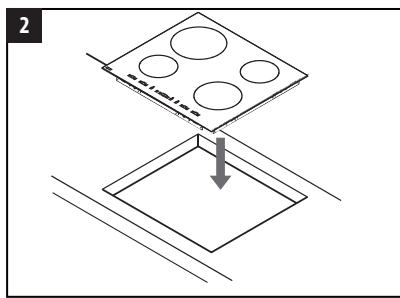
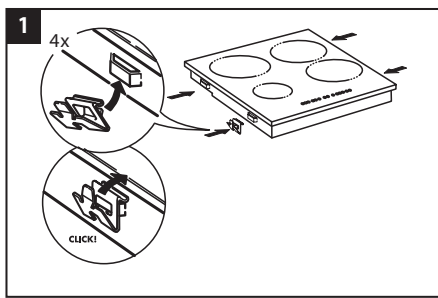
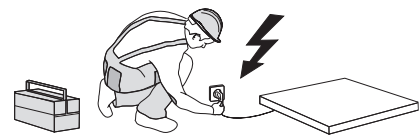
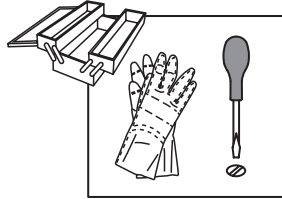
INSTALAÇÃO

- A placa de cozedura tem de ser definida para um tampo com pelo menos 20 mm de profundidade.
- Não deve existir qualquer tipo de obstrução entre a placa e o forno (calhas, suportes, etc.).
- Certifique-se de que o cabo de alimentação é suficientemente longo para permitir uma instalação conveniente.
- A distância entre a face inferior da placa vitrocerâmica e a bancada ou o painel de separação deve ser de, pelo menos, 20 mm.
- Para obter informação acerca de dimensões para estrutura encastrada e instruções de instalação, veja as imagens no presente parágrafo.
- Deverá deixar uma distância mínima entre a placa e o exaustor existente sobre a mesma. Consulte o manual do utilizador do exaustor para mais informações.
- Após limpar a superfície da placa, aplique a vedação fornecida (a menos que a mesma já esteja instalada).
- **Não instale a placa perto de um lava-loiças ou máquina de lavar loiça, para que os circuitos eletrónicos não entrem em contacto com vapor ou humidade, o que os pode danificar.**
- Caso, por baixo da placa, seja instalado um forno (da nossa gama de fornos), certifique-se de que o mesmo dispõe de um sistema de refrigeração. Se a temperatura do circuito eletrónico exceder a temperatura máxima permitida, a placa desliga-se automaticamente; Neste caso, aguarde alguns minutos até que a temperatura interna dos circuitos eletrónicos alcancem um nível tolerável que possibilite ligar a placa novamente.

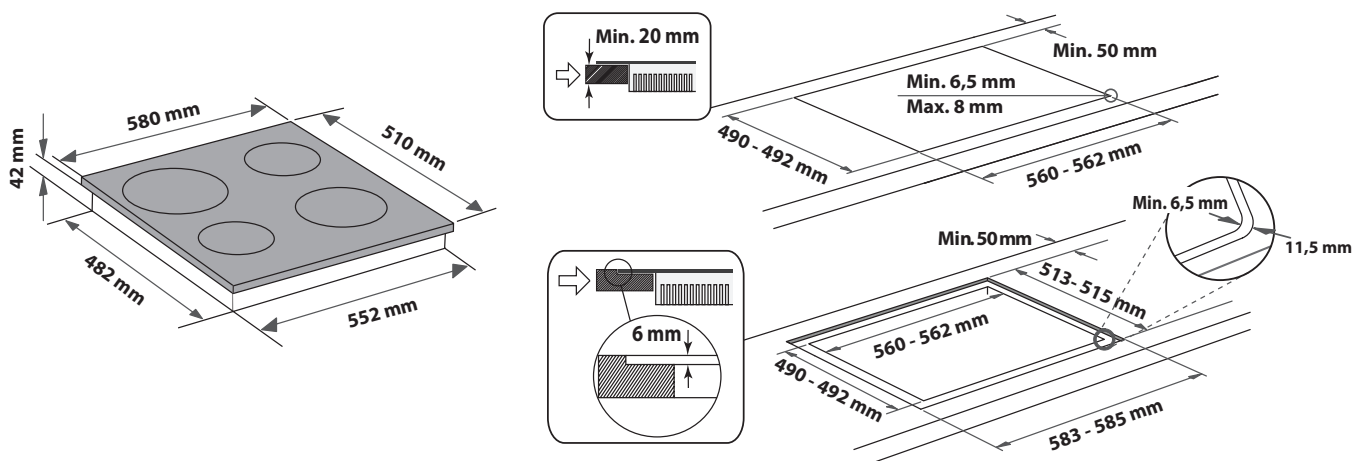
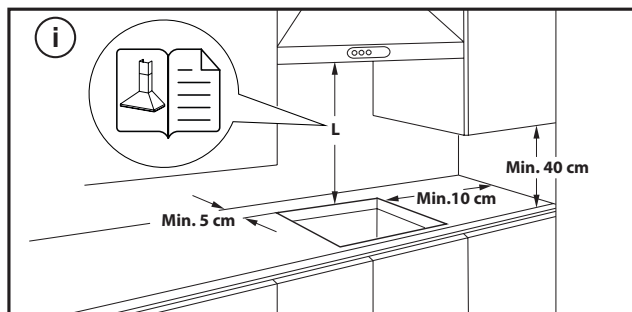


COMO INSTALAR A PLACA

Após a instalação da ligação elétrica (ver capítulo "Ligação elétrica"), posicione cada suporte de fixação nas aberturas dedicadas existentes em ambos os lados da placa, tal como ilustrado pela imagem. Em seguida, encaixe a placa no corte na bancada para o efeito e certifique-se de que o vidro está nivelado e em paralelo com a bancada. Os suportes de fixação estão concebidos para utilização em todos os tipos de material de bancada (madeira, mármore, etc.).



DIMENSÕES E DISTÂNCIAS A SEREM MANTIDAS



COMO REMOVER A PLACA:

Para remover a placa, comece por desligá-la da alimentação elétrica. Recomenda-se vivamente que liberte a parte inferior do forno, gaveta, separador ou outros. Tal permite ao técnico aceder à parte inferior da placa para desapertar os quatro ganchos com uma chave de parafusos, levante a placa e remova-a, evitando quaisquer danos no tampo.

LIGAÇÃO ELÉTRICA

A ligação elétrica deve ser efetuada antes de ligar o aparelho à corrente doméstica.

O cabo de alimentação não está incluído na embalagem - não se esqueça de preparar o seu próprio cabo.




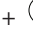
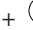
O aparelho deverá ser instalado por um técnico qualificado, com conhecimento das normas vigentes em matéria de instalação e segurança. Mais especificamente, a instalação deverá ser realizada em conformidade com os regulamentos do fornecedor de eletricidade local.

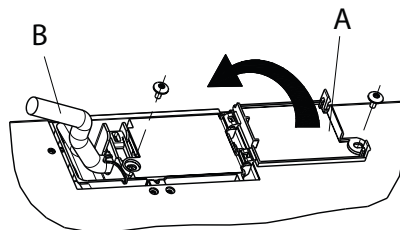
Certifique-se de que a tensão elétrica indicada na chapa de características situada no fundo do aparelho, corresponde à da habitação na qual vai ser instalado.

A ligação à terra do aparelho é obrigatória: utilize apenas condutores (incluindo o condutor de terra) com as dimensões apropriadas.

LIGAÇÃO AO BLOCO DE TERMINAIS


Para realizar a ligação elétrica, utilize um cabo H05RR-F ou H05V2V2-F como indicado na tabela seguinte.

TENSÃO DE ALIMENTAÇÃO	CONDUTORES NÚMERO X DIMENSÕES
220-240V ~+ 	3 x 4 mm ²
230-240V ~+ 	3 x 4 mm ² (apenas para a Austrália)
220-240V 3~+ 	4 x 1,5 mm ²
380-415V 3N~+ 	5 x 1,5 mm ²
380-425V 2N~+ 	4 x 1,5 mm ²



O aparelho tem de ser ligado à alimentação elétrica através de um disjuntor multipolar com distância mínima entre os contactos de 3 mm.

Atenção: o cabo de alimentação deve ser comprido o suficiente para permitir que a placa seja removida da bancada e posicionada de forma a evitar quaisquer danos ou o sobreaquecimento causado pelo contacto com a base.

Nota: o fio terra amarelo/verde deverá ser ligado ao terminal com o símbolo  e deverá ter um comprimento superior ao dos outros fios.

- Retire cerca de 70 mm do revestimento do cabo de alimentação (B).
- Retire cerca de 10 mm do revestimento dos fios. Em seguida, introduza o cabo de alimentação no fixador do cabo e ligue os fios ao bloco de terminais conforme indicado no esquema de ligação posicionado junto ao próprio bloco de terminais.
- Fixe o cabo de alimentação elétrica (B) através do gancho do cabo.
- Feche o bloco de terminais com a tampa (A), fixando-o com o respetivo parafuso fornecido.
- Após a ligação elétrica, encaixe a placa a partir de cima e fixe-a às molas de fixação, conforme representado na figura.



OBRIGADO POR COMPRAR UM PRODUTO WHIRLPOOL
Para beneficiar de uma assistência mais completa, registe o seu produto em www.whirlpool.eu/register.

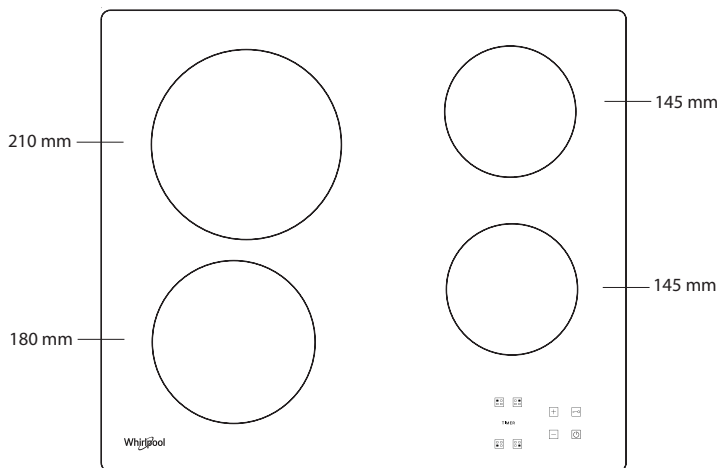


Leia as instruções de segurança com atenção antes de usar o aparelho.

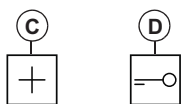
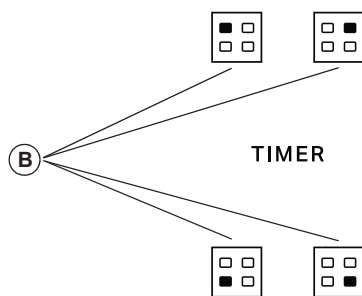
EFETUE A LEITURA DO CÓDIGO QR NO SEU APARELHO PARA OBTER MAIS INFORMAÇÕES



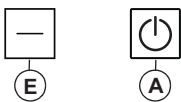
DESCRIÇÃO DO PRODUTO



PAINEL DE COMANDOS



- A** Ligar/Desligar
- B** Zona de cozedura e seleção do temporizador
- C-E** Aumentar e diminuir a temperatura
- D** Bloqueio dos botões



UTILIZAR PELA PRIMEIRA VEZ

Após a primeira instalação, o painel de controlo realiza um teste funcional de cerca de 1 segundo, após o qual muda automaticamente para a função "Bloqueio dos botões".

Para desativar a função, pressione e fixe o botão "D"; é emitido um sinal sonoro e o led correspondente apaga-se.

NOTA: Caso a placa seja reiniciada, repita o procedimento descrito acima.

UTILIZAÇÃO DIÁRIA



LIGAR/DESLIGAR A PLACA

Para ligar a placa, mantenha premido o botão "A" durante cerca de 2 segundos. Os visores das 4 zonas de cozedura apresentam "0". Se, num período de 20 segundos, nenhuma das zonas de cozedura for ativada, a placa desliga-se automaticamente como medida de segurança.

LIGAR E AJUSTAR AS ZONAS DE COZEDURA

Prima uma dos botões "B" correspondente à zona de cozedura que pretende utilizar. Selecione a temperatura desejada usando os botões "E" ou "C". As outras definições de cozedura selecionáveis variam entre 1 e 9. Prima os botões "+/-" em simultâneo para cancelar todas as definições.

IMPORTANTE: O controlo é desativado 10 segundos após ter selecionado a definição de temperatura.

Para alterar a definição de temperatura, prima primeiro o botão de seleção "B" de novo e depois altere a definição usando os botões "E" ou "C".

TIMER

Para definir a função do Temporizador, selecione a zona de cozedura desejada e a definição de potência, premindo de seguida a tecla da zona de cozedura de novo. Aparecerá um ponto luminoso no visor da zona de cozedura controlada pelo temporizador. Nos 2 visores piscará o número "00". Prima os botões "C" ou "E" para definir o tempo entre 1 e 99.

IMPORTANTE: Decorridos 10 segundos, o visor do temporizador apresenta a definição de potência das outras zonas de cozedura.

Para ver o tempo de cozedura restante, prima duas vezes a tecla da zona de cozedura controlada por temporizador.

FUNÇÃO A

Esta função permite diminuir automaticamente o nível de potência da zona de cozedura do valor mais elevado (nível 9) para o nível selecionado pelo utilizador para um momento posterior de cozedura.

Para ativar esta função, comece por premir o botão "+" quando o nível 9 é alcançado. O ecrã apresenta "A" e "9" pisca alternadamente com um brilho baixo.

Neste momento, escolhe o nível de potência desejado (inferior a 9) com o botão “-”. “A” e o nível selecionado irão piscar alternadamente com um brilho reduzido no ecrã.

A função é ativada logo que “A” e o nível selecionado pisquem alternadamente com um brilho elevado no ecrã.

Assim que “A” já não estiver visível no ecrã (a função “A” desliga-se automaticamente após vários minutos, dependendo do nível de potência definido), o processo de cozedura continua com uma potência mais baixa e o ecrã apresenta apenas o nível de potência selecionado.

NOTA: esta função não é possível com o nível 9.



BLOQUEIO DOS BOTÕES

A função Bloqueio dos botões é ativada fixando o botão “D” até que um ponto se acenda acima do botão de função. O painel de controlo fica bloqueado, à exceção da função que permite desligar. A função permanece ativa mesmo após a placa ser desligada e ligada de novo e pode ser desativada premindo o botão “D” de novo até que o ponto acima do botão de função se apague.

Quando a placa está desligada com o bloqueio dos botões ativado para ativar a placa, comece por desativar a função de bloqueio dos botões premindo o botão “D” novamente até o ponto acima do botão da função apagar-se.

A presença de água, líquido derramado de panelas ou quaisquer objetos que fiquem sobre os controlos, podem ativar ou desativar acidentalmente o bloqueio dos botões



INDICADOR DE CALOR RESIDUAL

Quando a zona de cozedura é desligada, o indicador de calor residual “H” permanece ligado ou pisca alternando com “0” até que a temperatura da placa volte aos níveis de segurança.

IMPORTANTE: As funções de segurança da placa incluem uma função para desligar automaticamente. A utilização prolongada da mesma temperatura, faz desligar automaticamente a zona de cozedura (por exemplo, após cerca de 1 hora com a temperatura máxima, a zona de cozedura desliga-se).

IMPORTANTE: Para evitar danos permanentes na placa:

- não utilize panelas com bases que não sejam totalmente planas;
- não utilize panelas metálicas com bases em esmalte;
- não coloque panelas/tachos quentes sobre o painel de controlo.

A placa dispõe ainda de uma função de “desativação automática” que desliga a zona de cozedura automaticamente caso não exista qualquer alteração do nível de potência após um período específico, dependendo da própria definição de potência. Na tabela abaixo, apresenta-se o tempo para a desativação automática para cada nível de potência.

NÍVEL DE POTÊNCIA	TEMPO DESATIVAÇÃO AUTOMÁTICA
0	30 segundos
1	10 horas
2	5 horas
3	5 horas
4	4 horas
5	3 horas
6	2 horas
7	2 horas
8	2 horas
9	1 hora

TABELA DE COZEDURA

NÍVEL DE POTÊNCIA		TIPO DE COZEDURA	NÍVEL DE UTILIZAÇÃO (indica a experiência e os hábitos de cozedura)
Potência máxima	9	Cozer	Ideal para aumentar rapidamente a temperatura dos alimentos, para uma rápida ebulição no caso de água ou para aquecer rapidamente líquidos.
	9 – 8	Selar	Ideal para alourar, começar a cozinhar, fritar produtos congelados, ferver rapidamente.
Alta potência	8 – 7	Alourar - manter a fervura - grelhar	Ideal para alourar, manter uma temperatura de fervura elevada, cozinhar e grelhar (curta duração, 5-10 minutos).
	7 – 6	Fritar – cozer – grelhar	Ideal para manter uma temperatura de fervura baixa, cozinhar e grelhar (duração média, 10-20 minutos), preaquecer e fritar.
Média potência	6 – 5	Fritura suave	Ideal para estrear ovos e cozinhar omeletes.
	5 – 4	Cozedura – cozedura lenta – guizar	Ideal para cozedura prolongada (arroz, molhos, assados, peixe) com líquidos (exemplo: água, vinho, caldo, leite), massa cremosa.
	4 – 3	Engrossar – massa cremosa	
Baixa potência	2 – 1	Manter os alimentos quentes – risotos cremosos	Ideal para manter quentes os alimentos acabados de cozinhar (exemplo: molhos, sopas, sopa minestrone), risotos cremosos e manter os pratos quentes.
Potência mínima	1	Descongelação	Ideal para descongelar produtos de pequenas dimensões e derreter suavemente chocolate ou manteiga.
Potência zero	0	-	Placa em modo de espera ou desligada (potencial calor residual de fim de cozedura indicado pela letra “H”).

LIMPEZA E MANUTENÇÃO

 Desligue o aparelho da corrente elétrica.

- Não utilize aparelhos de limpeza a vapor.
- Não utilize esponjas abrasivas nem esfregões de palha de aço, pois podem danificar o vidro.
- Após cada utilização, limpe a placa (após arrefecer) para remover quaisquer depósitos e manchas originadas por resíduos de alimentos.

- Açúcar ou alimentos com elevado conteúdo de açúcar podem danificar a placa e devem ser removidos de imediato.
- Sal, açúcar e areia riscam a superfície de vidro.
- Use um pano macio, papel de cozinha absorvente ou um produto de limpeza específico para placas (siga as instruções do fabricante).
- Os derrames de líquidos nas zonas de cozedura podem fazer com que os tachos se desloquem ou vibrem.
- Depois de limpar a placa, seque-a bem.

RESOLUÇÃO DE PROBLEMAS

Se a placa não funcionar devidamente, antes de contactar o Serviço Pós-Venda, consulte o Guia para Resolução de Problemas para determinar qual o problema.

- Leia e siga as instruções contidas na secção "Utilização Diária".
- Verifique se o abastecimento de eletricidade não foi desligado.
- Seque a placa completamente antes de a limpar.
- Se tiver sido selecionada uma zona de cozedura e um "F" ou um "ER" aparecer no ecrã seguido de um número, contacte o Serviço Pós-venda e informe-os.
- Se o código de erro for "F03", "ER03" ou "E02", tente resolvê-lo seguindo estas instruções:
 - Se o erro "E02" aparecer, por favor certifique-se de que não tem estado a carregar em botões durante mais de 5 segundos, não existem objetos na área HMI e esta está limpa e seca - ao limpar, por favor siga o parágrafo sobre "Limpeza e Manutenção".
 - Se o erro "F03" aparecer, tente ligar e desligar a placa novamente.
 - Se o erro "F04" aparecer, contacte o Serviço Pós-venda e informe-os sobre qual o código a ser apresentado.
- Se a placa do fogão não funcionar após uma utilização intensa, significa que a temperatura interna da placa está demasiado elevada. Aguarde alguns minutos até a placa arrefecer.

- Se o aquecedor não permanece ligado continuamente mas for ativado e desativado de forma cíclica mesmo que o nível de potência se mantenha inalterado, tal faz parte do normal funcionamento da placa. O ciclo On/Off (ativação/desativação) permite a regulação da potência do aquecedor, sendo completamente normal. Em alguns casos, a proteção térmica pode desativar o aquecedor durante algum tempo para evitar danos no vidro. Exemplos de tais situações: utilização da placa durante um longo período a um nível de potência elevado, utilizando painéis menores que o elemento de aquecimento e não utilizando de painéis cujo fundo não é plano.
- Se a placa estiver a emitir um breve som sem o cliente premir nenhum botão, verifique se existem derrames de líquidos na HMI. Por favor, seque a HMI e continue a utilizar a placa. Se a placa tiver sido desligada automaticamente, tal poderá ter sido causado pela presença de líquido na HMI. Por favor, seque a HMI e volte a ligar a placa.

Se, após efetuar as verificações acima indicadas, o problema persistir, contacte o Serviço Pós-Venda mais próximo.

SERVIÇO PÓS-VENDA

Para beneficiar de uma assistência mais completa, registre o seu produto em www.whirlpool.eu/register.

ANTES DE CONTACTAR O SERVIÇO PÓS-VENDA:

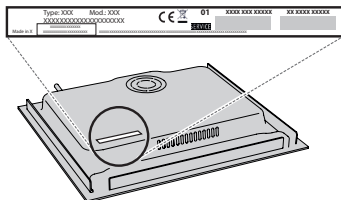
1. Tente solucionar o problema sozinho com a ajuda das sugestões fornecidas na secção de **RESOLUÇÃO DE PROBLEMAS**.
2. Desligue e volte a ligar o aparelho para verificar se o problema ficou resolvido.

SE O PROBLEMA PERSISTIR APÓS ESSAS VERIFICAÇÕES, CONTACTE O SERVIÇO PÓS-VENDA MAIS PRÓXIMO.

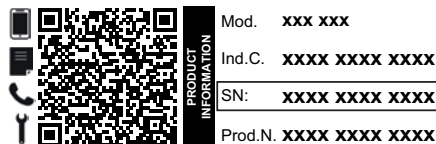
Para receber assistência, contacte o número indicado no livrete da garantia ou siga as instruções existentes no site www.whirlpool.eu.

Quando contactar o nosso Serviço de Pós-venda indique sempre:

- uma breve descrição da anomalia;
- o tipo e o modelo exato do aparelho;



- o número de série (número situado após a palavra SN na chapa de características localizada por baixo do aparelho). O número de série também se encontra indicado na documentação;



- a sua morada completa;
- o seu número de telefone.

Se for necessário efetuar alguma reparação, contacte um Serviço de Assistência Técnica autorizado (para garantir a utilização de peças sobressalentes originais e uma reparação correta).

As políticas, a documentação padrão e as informações de produto adicionais poderão ser consultadas:

- Utilizar o código QR no seu aparelho;
- Visitando o nosso website docs.whirlpool.eu;
- Em alternativa, **contacte o nosso Serviço Pós-venda** (através do número de telefone contido no livrete da garantia). Ao contactar o nosso Serviço Pós-Venda, indique os códigos fornecidos na placa de identificação do seu produto.



Kompletní návod k obsluze si stáhněte na stránce <http://docs.whirlpool.eu> nebo zavolejte na telefonní číslo uvedené v záručním listě.

Před použitím spotřebiče si přečtěte tyto bezpečnostní pokyny. Uschovejte si je po ruce pro další použití.

V tomto návodu a na samotném spotřebiči jsou uvedena důležitá bezpečnostní upozornění, která je nutné si přečíst a řídit se jimi. Výrobce odmítá nést jakoukoli zodpovědnost za nedodržení těchto bezpečnostních pokynů, za nevhodné používání spotřebiče nebo za nesprávné nastavení ovladačů.

⚠ VÝSTRAŽNÉ UPOZORNĚNÍ: Pokud je povrch varné desky popraskaný, zařízení nepoužívejte. Riziko elektrického šoku!

⚠ VÝSTRAŽNÉ UPOZORNĚNÍ: Nebezpečí požáru: Neskladujte položky na varném povrchu.

⚠ UPOZORNĚNÍ: Proces vaření musí probíhat pod kontrolou. Krátké vaření musí být neustále monitorováno.

⚠ VÝSTRAŽNÉ UPOZORNĚNÍ: Vaření pokrmů s obsahem tuku nebo oleje bez dozoru na varné desce může být nebezpečné. Riziko požáru! NIKDY se nepokoušejte požár uhasit vodou: Namísto toho spotřebič vypněte a plamen přikryjte, např. poklicí nebo žáruvzdornou dekou.

⚠ Varnou desku nepoužívejte jako pracovní plochu nebo podstavec. Do blízkosti spotřebiče nepokládejte oděvy nebo jiné hořlavé materiály, dokud veškeré součásti zcela nevychladnou. Riziko požáru!

⚠ Velmi malé děti (0–3 roky) by se neměly ke spotřebiči přibližovat. Malé děti (3–8 let) by se neměly ke spotřebiči přibližovat, pokud nejsou pod dozorem. Děti starší 8 let a osoby s fyzickým, smyslovým či duševním postižením nebo bez patřičných zkušeností a znalostí mohou tento spotřebič používat pouze pod dohledem nebo tehdy, pokud obdržely informace o bezpečném použití spotřebiče a pokud rozumějí rizikům, která s používáním spotřebiče souvisejí. Nedovolte dětem, aby si se spotřebičem hrály. Nedovolte dětem, aby bez dohledu prováděly čištění a běžnou údržbu spotřebiče.

⚠ VÝSTRAŽNÉ UPOZORNĚNÍ: Spotřebič a jeho přístupné součásti se při použití zahřívají. Je třeba dbát opatrnosti, abyste se nedotkli topných těles. Děti mladší 8 let se nesmějí ke spotřebiči přibližovat, pokud nejsou pod dohledem dospělé osoby.

POVOLENÉ POUŽITÍ

⚠ UPOZORNĚNÍ: Tento spotřebič není určen k řízení pomocí externího zařízení, jako je např. časovač, nebo samostatného systému dálkového ovládání.

⚠ Tento spotřebič je určen k použití v domácnosti a podobných zařízeních jako: kuchyňské kouty pro zaměstnance v obchodech, kancelářích a na jiných pracovištích; farmy; klienty hotelů, motelů, penzionů a jiných ubytovacích zařízení.

⚠ Není přípustné používat jej jiným způsobem (např. k vytápění místností).

⚠ Tento spotřebič není určen pro profesionální použití. Nepoužívejte spotřebič venku.

INSTALACE

⚠ K přemísťování a instalaci spotřebiče jsou nutné minimálně dvě osoby – nebezpečí zranění. Při rozbalování a instalaci používejte ochranné rukavice – nebezpečí pořezání.

⚠ Instalaci, včetně připojení přívodu vody (pokud nějaký existuje) a elektřiny, a opravy musí provádět kvalifikovaný technik. Neopravujte ani nevyměňujte žádnou část spotřebiče, pokud to není výslovně uvedeno v návodu k použití. Nedovolte dětem, aby se přibližovaly k místu instalace. Po vybalení spotřebiče se přesvědčte, že nebyl při dopravě poškozen. V případě problémů se obraťte se na svého prodejce nebo na nejbližší servisní středisko. Po instalaci musí být obalový materiál (plasty, polystyrenová pěna atd.) uložen mimo dosah dětí – nebezpečí udušení. Před zahájením instalace je nutné spotřebič odpojit od elektrické sítě – nebezpečí úrazu elektrickým proudem. Během instalace se ujistěte, že zařízení nepoškozuje napájecí kabel – nebezpečí požáru a úrazu elektrickým proudem. Zařízení nezapínejte, dokud nebyla řádně ukončena instalace.

⚠ Je-li nutné skříňku přirýznout, proveďte tyto práce ještě před zasunutím spotřebiče na místo a pečlivě odstraňte všechny dřevěné třísky a piliny.

⚠ Pokud není spotřebič nainstalován nad troubou, do umístění pod spotřebičem je třeba nainstalovat i oddělovací panel (není součástí).

DŮLEŽITÁ UPOZORNĚNÍ TÝKAJÍCÍ SE ELEKTRICKÉHO ZAPOJENÍ

⚠ V souladu s národními bezpečnostními normami týkajícími se elektrických zařízení musí být možné odpojit spotřebič od elektrické sítě vytažením zástrčky, pokud je zástrčka přístupná, nebo, v souladu s pravidly pro zapojování, prostřednictvím vícepólového vypínače umístěného před zásuvkou a spotřebič musí být uzemněn.

⚠ Nepoužívejte prodlužovací kabely, sdružené zásuvky nebo adaptéry. Po provedení montáže nesmí být elektrické prvky spotřebiče pro uživatele přístupné. Nepoužívejte spotřebič, pokud jste mokří nebo bosí. Tento spotřebič nezapínejte, pokud je poškozený napájecí síťový kabel či zástrčka, pokud nefunguje správně nebo byl poškozen či došlo k jeho pádu.

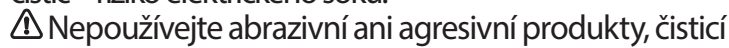
⚠ Instalace pomocí zástrčky napájecího kabelu není povolena, pokud produkt již není vybaven tou, kterou poskytuje výrobce.

⚠ Jestliže je poškozený přívodní kabel, za identický ho smí vyměnit pouze výrobce, servisní technik nebo osoba s podobnou příslušnou kvalifikací, jinak by mohlo dojít k úrazu – riziko elektrického šoku!

ČIŠTĚNÍ A ÚDRŽBA

⚠ VÝSTRAŽNÉ UPOZORNĚNÍ: Než zahájíte jakoukoli údržbovou operaci, ujistěte se, že je spotřebič vypnutý

a odpojený od zdroje napájení; nikdy nepoužívejte parní
čistič – riziko elektrického šoku!

 Nepoužívejte abrazivní ani agresivní produkty, čisticí
prostředky s obsahem chloru ani drátěnky.

LIKVIDACE OBALOVÉHO MATERIÁLU

Obal je ze 100% recyklovatelného materiálu a je označen recyklačním znakem




Jednotlivé části obalového materiálu proto zlikvidujte odpovědně podle
platných místních předpisů.

LIKVIDACE DOMÁCÍCH ELEKTROSPOTŘEBIČŮ

Tento spotřebič byl vyroben z recyklovatelných nebo opakovaně použitelných
materiálů. Zlikvidujte jej podle místních předpisů pro likvidaci odpadu. Další
informace o likvidaci, renovaci a recyklaci elektrických spotřebičů získáte na místním
úřadě, v podniku pro sběr domácího odpadu nebo v obchodě, kde jste spotřebič
zakoupili. Tento spotřebič je označen v souladu s evropskou směnicí 2012/19/
EU o odpadních elektrických a elektronických zařízeních (OEEZ) a nařízeními o
odpadních elektrických a elektronických zařízeních 2013 (včetně dodatků).

Zajištěním správné likvidace tohoto výrobku pomůžete zabránit negativním
vlivům na životní prostředí a lidské zdraví.

Symbol  na výrobku nebo příslušných dokladech udává, že tento výrobek nesmí
být likvidován společně s domácím odpadem, nýbrž je nutné jej odevzdat do
příslušného sběrného střediska k recyklaci elektrických a elektronických zařízení.

RADY K ÚSPORĚ ELEKTRICKÉ ENERGIE

Vytěžte maximum i ze zbytkového tepla, a to tak, že ploténku vypnete několik
minut před dokončením vaření.

Dno hrnce či pánve by mělo zakrývat celou plochu ploténky; při použití nádoby,
jejíž dno je menší než ploténka, dochází k plýtvání energií.

Během vaření přikryvejte hrnce a pánve dobře těsnící pokličkou a používejte
co nejméně vody. Vařením bez pokličky se citelně zvýší spotřeba energie.

Používejte pouze hrnce a pánve s plochým dnem.

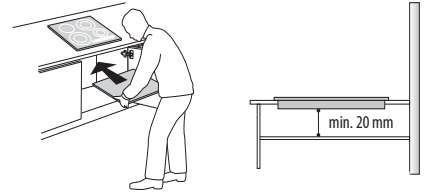
PROHLÁŠENÍ O SHODĚ

Tento spotřebič splňuje požadavky na ekodesign evropského nařízení 66/2014 a
nařízení o ekodesignu výrobků spojených se spotřebou energie a informacích o
energii (dodatek) (EU Exit) 2019 v souladu s evropskou normou EN 60350-2.



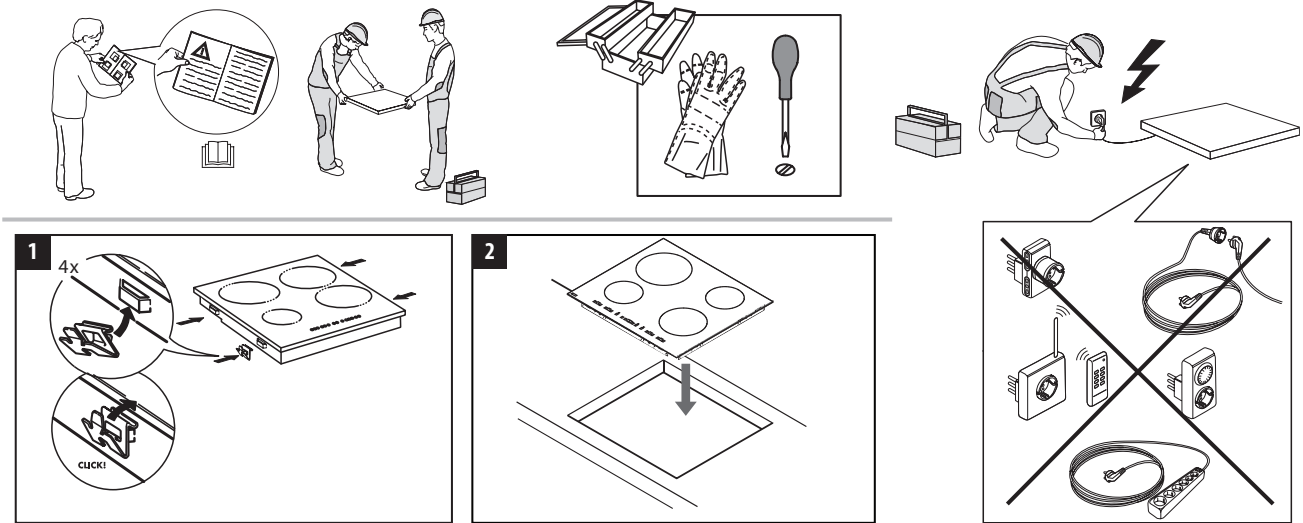
INSTALACE

- Varná deska musí být zasazena do pracovní desky hluboké alespoň 20 mm.
- Mezi varnou deskou a troubou se nesmí nacházet žádné jiné součásti (příčné lišty, svorky atd.).
- Ujistěte se, že je napájecí kabel dostatečně dlouhý, aby umožňoval pohodlnou instalaci.
- Vzdálenost mezi spodní plochou sklokeramické varné desky a skříňkou či dělicím panelem musí být alespoň 20 mm.
- Informace o rozměrech pro vestavbu a instalaci naleznete na obrázku v tomto odstavci.
- Je třeba dodržet minimální vzdálenost mezi varnou deskou a nad ní se nacházející digestoří. Více informací získáte v příručce pro uživatele digestoře.
- Po očištění povrchu varnou desku opatřete dodaným těsněním (pokud již nebylo nasazeno).
- **Nikdy varnou desku neinstalujte do blízkosti myčky nádobí či pračky. Elektrické rozvody by v takovém případě mohly přijít do kontaktu s párou nebo vlhkostí a mohlo by je to poškodit.**
- Pokud je pod varnou deskou nainstalována trouba, ujistěte se, že je vybavena systémem chlazení. Pokud totiž teplota elektronických obvodů překročí maximální přípustnou teplotu, varná deska se automaticky vypíná; v takovém případě vyčkejte několik minut, dokud vnitřní teplota elektronických obvodů neklesne na přijatelnou úroveň a varnou desku bude možné opět zapnout.

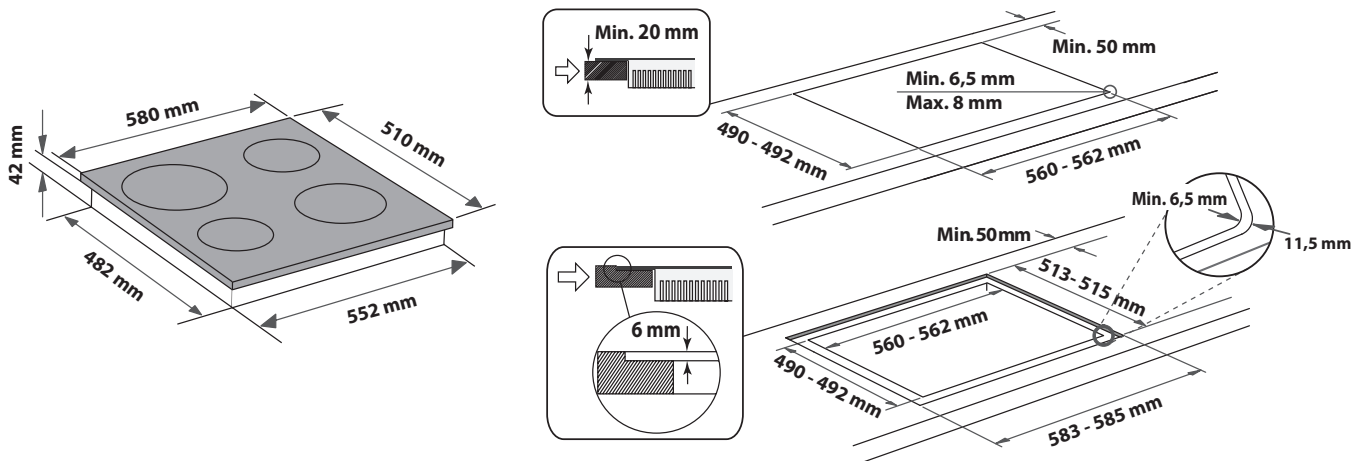
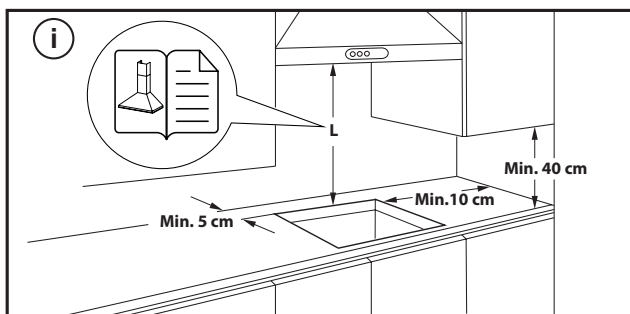


VESTAVBA VARNÉ DESKY

Po zapojení elektrické instalace (viz kapitolu "Elektrická instalace") umístěte jednotlivé příponky na příslušné otvory po stranách varné desky, jak je znázorněno na obrázku. Poté varnou desku zasuňte do výřezu a zkontrolujte, zda je sklo ploché a rovnoběžné s pracovní deskou. Tyto příponky jsou určeny pro všechny typy materiálů pracovních desek (dřevo, mramor atd.).



ROZMĚRY A VZDÁLENOSTI, KTERÉ JE TŘEBA DODRŽET



DEMONTÁŽ VARNÉ DESKY:

Chcete-li varnou desku vyjmout, nejprve ji odpojte od elektrické sítě. Důrazně se doporučuje uvolnit spodní část z trouby, zásuvky, separátoru nebo jiného spotřebiče. Umožňuje technikovi přístup ke spodní části varné desky, aby mohl uvolnit čtyři spony pomocí šroubováku, zvedat varnou desku a vyjmout ji, čímž se zabrání jakémukoli poškození pracovní desky.

PŘIPOJENÍ K ELEKTRICKÉ SÍTI

Připojení k elektrické síti musí být provedeno ještě před připojením spotřebič ke zdroji elektriny.

Napájecí kabel není součástí balení - nezapomeňte si připravit vlastní napájecí kabel.




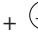
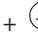
Instalaci musí provést kvalifikovaný pracovník obeznámený s platnými bezpečnostními předpisy a předpisy o elektrické instalaci. Instalace se musí provádět výslovně podle předpisů lokálního dodavatele elektrické energie.

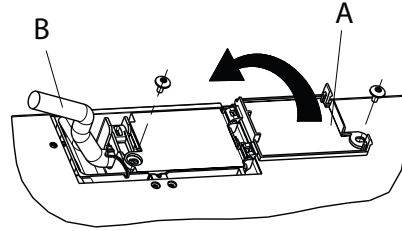
Zkontrolujte, zda údaj o napětí uvedený na typovém štítku na spodní straně spotřebiče odpovídá napětí v domácí síti.

Předpisy vyžadují, aby byl spotřebič uzemněn: použijte pouze vodiče (včetně zemnicího), které mají odpovídající délku.

PŘIPOJENÍ KE SVORKOVNICI

Pro připojení k elektrické síti použijte typ kabelu H05RR-F nebo H05V2V2-F podle níže uvedené tabulky.

NAPÁJECÍ NAPĚTÍ	VODIČE (POČET x VELIKOST)
220-240V ~ + 	3 x 4 mm ²
230-240V ~ + 	3 x 4 mm ² (pouze Austrálie)
220-240V 3~ + 	4 x 1,5 mm ²
380-415V 3N~ + 	5 x 1,5 mm ²
380-425V 2N~ + 	4 x 1,5 mm ²



Spotřebič musí být ke zdroji el. napájení připojen pomocí všepólového odpojovacího zařízení s minimální vzdáleností mezi kontakty 3 mm.

POZOR: Napájecí kabel musí být dostatečně dlouhý, aby umožnil vyjmutí varné desky z pracovní desky, a musí být umístěn tak, aby nemohlo dojít k poškození nebo přehřátí způsobenému kontaktem se základnou.

POZNÁMKA: Žlutý/zelený zemnicí vodič musí být připojen k výstupu označenému symbolem  a musí být delší než ostatní vodiče.

- Z napájecího kabelu (**B**) odstraňte asi 70 mm dlouhou část pláště.
- Z vodičů odstraňte plášť v délce přibližně 10 mm. Poté napájecí kabel zasuňte do kabelové svorky a vodiče připojte ke svorkovnici, jak je vyznačeno ve schématu zapojení umístěném poblíž samotné svorkovnice.
- Napájecí kabel (**B**) zajistěte pomocí kabelové svorky.
- Uzavřete svorkovnici krytem (**A**) a zajistěte dodanými šrouby.
- Po připojení k elektrické síti varnou desku shora nasadte ji připevněte k upevňovacím pružinám.



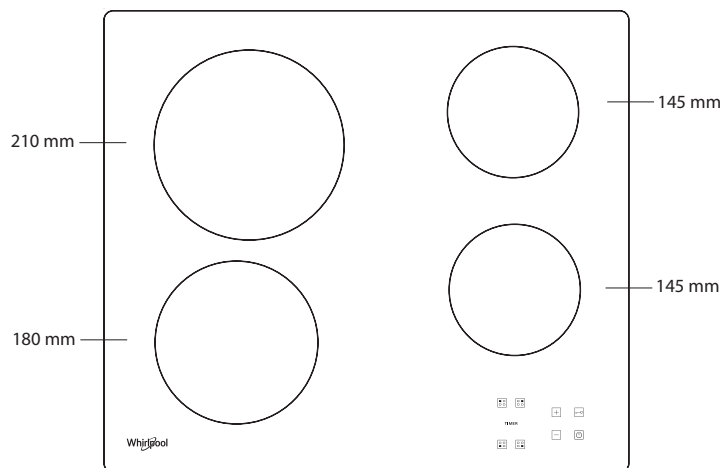
DĚKUJEME VÁM, ŽE JSTE SI ZAKOUPILI VÝROBEK ZNAČKY WHIRLPOOL
Přejete-li si získat plnou podporu, zaregistrujte svůj výrobek na www.whirlpool.eu/register.

ABYSTE ZÍSKALI VÍCE INFORMACÍ, NASKENUJTE PROSÍM QR KÓD NA VAŠEM SPOTŘEBIČI

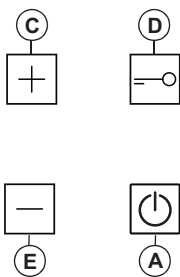
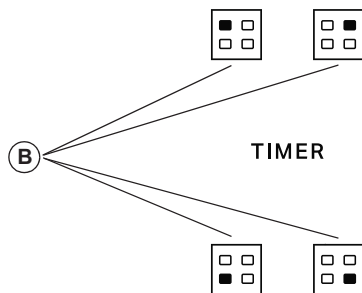


Před použitím spotřebiče si pečlivě přečtěte bezpečnostní pokyny.

POPIS PRODUKTU



OVLÁDACÍ PANEL



- A Zapnutí/vypnutí
- B Varná zóna a výběr časovače
- C-E Zvýšení a snížení nastavení teploty
- D Zámek tlačítek

PŘED PRVNÍM POUŽITÍM

Po prvotní montáži provede ovládací panel test funkčnosti, který bude trvat asi 1 sekundu. Následně bude automaticky aktivována funkce "Zámek tlačítek". Chcete-li tuto funkci deaktivovat, podržte stisknuté tlačítko "D". Ozve se zvukový signál a zhasne příslušná kontrolka led.

POZNÁMKA: Pokud dojde k resetování spotřebiče, opakujte výše popsany postup.

KAŽDODENNÍ POUŽÍVÁNÍ



ZAPNUTÍ/VYPNUTÍ VARNÉ DESKY

Chcete-li zapnout varnou desku, podržte stisknuté tlačítko "A" po dobu přibližně 2 sekund. Na všech 4 displejích ve varné zóně se rozsvítí hodnota "0". Pokud do 20 sekund nedojde k aktivaci žádné z varných zón, varná deska se z bezpečnostních důvodů automaticky vypne.

ZAPNUTÍ A NASTAVENÍ VARNÉ ZÓNY

Stiskněte tlačítko "B" příslušné varné zóny, kterou chcete použít. Pomocí tlačítek "E" a "C" zvolte požadované nastavení teploty. Při vaření můžete zvolit nastavení od 1 do 9. Všechna nastavení můžete zrušit současným stisknutím tlačítek "+/-".

DŮLEŽITÉ UPOZORNĚNÍ: tento ovládací prvek se deaktivuje 10 sekund po nastavení teploty.

Chcete-li změnit nastavení teploty, stiskněte nejprve tlačítko volby "B" a následně změňte nastavení pomocí tlačítek "E" a "C".

TIMER (ČASOVAČ)

Chcete-li nastavit funkci časovače, zvolte požadovanou varnou zónu a stupeň výkonu a stiskněte znovu tlačítko varné zóny. Na displeji této varné zóny řízené časovačem se rozsvítí tečka. Na obou displejích bude blikat hodnota "00". Požadovaný čas od 1 do 99 nastavte pomocí tlačítek "C" a "E".

DŮLEŽITÉ UPOZORNĚNÍ: po 10 sekundách se na displeji časovače zobrazí nastavení stupně výkonu ostatních varných zón.

Chcete-li zobrazit zbývající čas vaření, stiskněte dvakrát tlačítko varné zóny řízené časovačem.

FUNKCE A

Tato funkce umožňuje automaticky snížit úroveň výkonu varné zóny z nejvyšší hodnoty (úroveň 9) na hodnotu zvolenou uživatelem pro pozdější fázi vaření. Pro aktivaci této funkce nejprve stiskněte tlačítko "+", když dosáhnete úrovně 9. Na displeji se zobrazuje "A" a "9" bliká střídavě s nízkým jasnem. V tomto okamžiku zvolte požadovanou úroveň výkonu (méně než 9) pomocí tlačítka "-".

Na displeji střídavě bliká "A" a zvolená úroveň s nízkým jasem. Funkce se aktivuje, když "A" a zvolená úroveň bliká střídavě s vysokým jasem na displeji.

Jakmile se na displeji nezobrazí "A" (funkce "A" se po několika minutách automaticky vypne v závislosti na nastaveném výkonu), proces vaření pokračuje s nižším výkonem a na displeji se zobrazí pouze zvolený výkon.

POZNÁMKA: tato funkce není možná na úrovni 9.



ZÁMEK TLAČÍTEK

Funkci zámek tlačítek zapnete tak, že podržíte stisknuté tlačítko "D" tak dlouho, dokud se nad tlačítkem této funkce nerozsvítí tečka. Ovládací panel se uzamkne a dostupná zůstane pouze možnost vypnutí funkce. Funkce zůstává zapnutá dokonce i po vypnutí a opětovném zapnutí varné desky. Deaktivovat ji můžete tak, že opět podržíte stisknuté tlačítko "D", a to tak dlouho, dokud tečka nad tlačítkem funkce nezhasne.

Když je varná deska vypnutá s aktivovaným zámek tlačítek pro zapnutí varné desky, nejprve deaktivujte funkci zámku tlačítek opětovným stisknutím tlačítka "D", dokud tečka nad funkčním tlačítkem nezmizí.

Funkce zámek tlačítek se může náhodně aktivovat či deaktivovat, pokud se na ovládací tlačítko pod symbolem rozlije voda či jiná tekutina z hrnců nebo pokud do této oblasti něco odložíte.



UKAZATEL ZBYTKOVÉHO TEPLA

Po vypnutí varné zóny zůstává ukazatel zbytkového tepla "H" zapnutý nebo bliká střídavě s hodnotou "0", dokud teplota varné desky nepoklesne na bezpečnou úroveň.

DŮLEŽITÉ UPOZORNĚNÍ: Mezi bezpečnostní prvky varné desky patří také funkce automatického vypnutí. Delší vaření při stejném nastavení teploty spouští automatické vypnutí varné zóny (varná zóna se například vypne

přibližně po 1 hodině vaření s maximálním nastavení teploty).

DŮLEŽITÉ: Aby nedošlo k trvalému poškození varné desky:

- nepoužívejte nádoby, které nemají ploché dno,
- nepoužívejte kovové hrnce se smaltovaným dnem,
- na ovládací panel nepokládejte horké hrnce/pánve.

Varná deska je také vybavena funkcí "automatického vypnutí", která vypne varnou zónu, pokud po určité době v závislosti na samotném nastavení výkonu neprovedete žádnou změnu úrovně výkonu. V tabulce je doba trvání každé úrovně výkonu.

STUPEŇ VÝKONU	ČAS AUTOMATICKÉHO VYPNUTÍ
0	30 sekund
1	10 hodin
2	5 hodin
3	5 hodin
4	4 hodiny
5	3 hodiny
6	2 hodiny
7	2 hodiny
8	2 hodiny
9	1 hodina

TABULKA PEČENÍ

TEPLOTNÍ STUPEŇ		TYP TEPELNÉ ÚPRAVY	POUŽITÍ VARNÉHO STUPNĚ (použití závisí na zkušenostech a kuchařských návycích)
Maximální výkon	9	Funkce Boiling (Vaření)	Toto nastavení se hodí pro případy, kdy je třeba rychle zahřát jídlo či tekuté suroviny nebo přivést vodu k varu.
	9 – 8	Opékání	Toto nastavení se hodí k restování, smažení zmrazených potravin, rychlé vaření i pro základní tepelnou úpravu.
Vysoká teplota	8 – 7	Opékání dokřupava – udržení varu – grilování	Toto nastavení se hodí k opékání dokřupava, udržování varu při vysoké teplotě, vaření a grilování (rychlé, 5–10 minut).
	7 – 6	Smažení – vaření – grilování	Toto nastavení se hodí ke smažení, udržování varu, vaření, opékání (středně rychlé, 10–20 minut) a předehtování.
Střední teplota	6 – 5	Jemné smažení	Ideální na smažení vajec, omelet.
	5 – 4	Vaření – ohřívání – dušení	Toto nastavení se hodí k pomalému vaření (rýže, omáčky, maso, ryby) s tekutinami (např. vodou, vínem, vývarem, mlékem) či k závěrečné úpravě těstovinových pokrmů.
	4 – 3	Zatažení – povaření těstovin s máslem	
Nízká teplota	2 – 1	Udržování teploty jídla – konečná úprava rizota	Ideální pro udržování právě uvařeného jídla horkého (např. omáčky, polévky, minestrone), konečná úprava rizota a udržování teploty podávaných pokrmů.
Minimální výkon	1	Rozmrazování	Ideální k rozmrazování malých kousků a opatrnému rozpouštění čokolády nebo másla.
Nulový výkon	0	–	Varná deska v pohotovostním nebo vypnutém režimu (možné zbytkové teplo na konci vaření, indikuje "H").

ČIŠTĚNÍ A ÚDRŽBA

⚠ Odpojte spotřebič od elektrické sítě.

- Nepoužívejte parní čistič.
- K čištění nepoužívejte hrubé houbičky ani drátěnky, protože ty mohou poškodit sklo.
- Po každém použití varnou desku vyčistěte (po zchladnutí), aby se odstranily usazeniny a skvrny od zbytků pokrmů.

- Cukr nebo potraviny s vysokým obsahem cukru mohou poškodit varnou desku a je nutné je ihned odstranit.
- Sůl, cukr a písek mohou poškrábat skleněný povrch desky.
- K čištění desky používejte jemný hadřík, absorpční kuchyňské utěrky nebo speciální čisticí pomůcky na varnou desku (respektujte pokyny výrobce).
- Rozlité tekutiny ve varných zónách může být příčinou pohybu nebo vibrací hrnců.
- Po vyčištění varnou desku důkladně vysušte.

ODSTRAŇOVÁNÍ ZÁVAD

Pokud varná deska nepracuje správně, před kontaktováním servisního střediska se pokuste určit příčinu problému podle následujících pokynů.

- Přečtěte si a dodržujte pokyny uvedené v části "Každodenní používání".
- Zkontrolujte, zda nedošlo k výpadku proudu.
- Po vyčištění varnou desku důkladně vysušte.
- Pokud byla zvolena varná zóna a na displeji se zobrazí "F" nebo "ER" následované číslem, kontaktujte poprodejní servis a informujte je.
- Pokud je kód chyby "F03", "ER03" nebo "E02", zkuste to vyřešit podle následujících pokynů:
 - Pokud se objeví chyba "E02", ujistěte se prosím, že jste nestiskli tlačítka déle než 5 sekund, v oblasti HMI není žádný předmět a že je čistá a suchá - při čištění dodržujte odstavec Čištění a údržba.
 - Pokud se objeví chyba "F03", zkuste varnou desku vypnout a znovu zapnout.
 - Pokud se objeví chyba "F04", kontaktujte poprodejní servis a sdělte jim, který kód je zobrazen.
- Jestliže varná deska nefunguje po intenzivním používání, je vnitřní teplota varné desky příliš vysoká. Počkejte několik minut, až varná deska vychladne.

- Pokud ohřívač není trvale zapnutý, ale cyklicky se zapíná a vypíná, i když se na displeji úroveň výkonu nemění, je to součástí normální funkce varné desky. Cyklus zapnutí/vypnutí umožňuje regulaci výkonu ohřívače a je zcela normální. V některých případech může tepelná ochrana na určitou dobu vypnout ohřívač, aby nedošlo k poškození skla. Příklady takových případů jsou: vaření po dlouhou dobu při vysokém výkonu s použitím hrnců menších než topné těleso a hrnců bez plochého dna.
- Pokud varná deska vydává krátký zvuk, aniž by zákazník stiskl jakékoli tlačítko, postarejte se o případné rozlité kapaliny na HMI. Osušte HMI a pokračujte v používání varné desky. Pokud se varná deska automaticky vypnula, může to být způsobeno přítomností kapaliny na HMI. Osušte, prosím, HMI a znovu zapněte varnou desku.

Jestliže problém přetrvává i po provedení výše uvedených kroků, kontaktujte nejbližší servisní středisko.

SERVISNÍ STŘEDISKO

Přejete-li si získat plnou podporu, zaregistrujte svůj výrobek na www.whirlpool.eu/register.

NEŽ ZAVOLÁTE DO SERVISNÍHO STŘEDISKA POPRODEJNÍCH SLUŽEB:

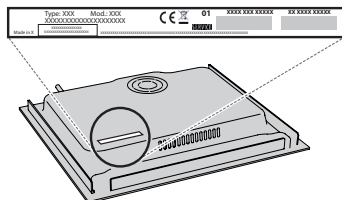
1. Ověřte si, zda nemůžete problém vyřešit sami pomocí doporučení popsanych v oddílu **ODSTRAŇOVÁNÍ ZÁVAD**.
2. Vypněte spotřebič a opět ho zapněte, abyste zjistili, zda porucha stále trvá.

JESTLIŽE PORUCHA PŘETRVÁVÁ I PO PROVEDENÍ VÝŠE UVEDENÝCH KROKŮ, ZAVOLEJTE DO NEJBLIŽŠÍHO SERVISNÍHO STŘEDISKA.

Pro asistenční služby volejte na číslo uvedené v záruční knížce nebo postupujte podle pokynů na webových stránkách www.whirlpool.eu.

Pokud se obracíte na náš zákaznický poprodejní servis, vždy upřesněte:

- stručný popis poruchy;
- přesný typ a model spotřebiče;



- sériové číslo (číslo za slovem SN na typovém štítku pod spotřebičem). Sériové číslo je rovněž uvedeno v dokumentaci;



PRODUCT INFORMATION	Mod.	xxx xxx
	Ind.C.	xxxx xxxx xxxx
	SN:	xxxx xxxx xxxx
	Prod.N.	xxxx xxxx xxxx

- svou úplnou adresu;
- své telefonní číslo.

Jestliže je nutná oprava, obraťte se na autorizované servisní středisko, abyste měli jistotu, že budou použity originální náhradní díly a oprava bude provedena správně).

Zásady, standardní dokumentaci a další informace o výrobku naleznete:

- Načtením QR kódu ve vašem spotřebiči;
- Při navštívení naší webové stránky docs.whirlpool.eu;
- Případně **kontaktujte náš poprodejní servis** (telefonní číslo naleznete v záručním listě). Při kontaktování našeho poprodejního servisu prosím uveďte kódy na identifikačním štítku produktu.



BEZPEČNOSTNÉ POKYNY

DÔLEŽITÉ! PREČÍTAJTE SI A DODRŽIAVAJTE

Kompletný návod si môžete stiahnuť na <http://docs.whirlpool.eu> alebo zavolajte na telefónne číslo uvedené v záručnej knižke.

Pred použitím spotrebiča si starostlivo prečítajte tieto bezpečnostné pokyny. Odložte si ich, aby boli k dispozícii pre budúce použitie.

V týchto pokynoch a na samotnom spotrebiči sú uvedené dôležité upozornenia týkajúce sa bezpečnosti, ktoré treba vždy dodržiavať. Výrobca odmieta zodpovednosť v prípade nedodržania týchto bezpečnostných pokynov, nenáležitého používania spotrebiča alebo nesprávneho nastavenia ovládania.

⚠ **POZOR!** Ak je varný panel puknutý, spotrebič nepoužívajte – nebezpečenstvo zásahu elektrickým prúdom.

⚠ **POZOR!** Nebezpečenstvo požiaru: neskladujte predmety na varných povrchoch.

⚠ **UPOZORNENIE:** Pri varení musí byť spotrebič pod dohľadom. Pri krátkodobom varení musí byť spotrebič pod nepretržitým dohľadom.

⚠ **POZOR!** Varenie na tuku alebo oleji bez dozoru môže predstavovať nebezpečenstvo a môže mať za následok vznik požiaru. NIKDY sa nepokúšajte uhasiť oheň vodou! Namiesto toho spotrebič vypnite a potom plameň zakryte, napríklad pokrievkou alebo požiarnym rúškom.

⚠ Nepoužívajte varnú dosku ako pracovnú alebo odkladaciu plochu. Oblečenie a iné horľavé materiály uchovávajte mimo spotrebiča, kým všetky komponenty úplne nevychladnú – hrozí nebezpečenstvo vzniku požiaru.

⚠ Veľmi malé deti (0 – 3 roky) by sa nemali zdržiavať v okolí spotrebiča. Malé deti (3 – 8 roky) by sa nemali zdržiavať v okolí spotrebiča, pokiaľ nie sú pod stálym dohľadom. Deti od 8 rokov a osoby so zníženými fyzickými, zmyslovými a mentálnymi schopnosťami alebo s nedostatkom skúseností a znalostí môžu používať tento spotrebič len v prípade, ak sú pod dozorom alebo dostali pokyny týkajúce sa používania spotrebiča bezpečným spôsobom a chápu hroziace nebezpečenstvá. Deti sa so spotrebičom nesmú hrať. Čistenie a používateľskú údržbu nesmú vykonávať deti bez dozoru.

⚠ **POZOR!** Spotrebič a jeho prístupné časti sa počas používania zahrievajú. Dávajte pozor, aby ste sa nedotkli ohrevných článkov. Nedovoľte, aby sa deti mladšie ako 8 rokov priblížili k rúre, pokiaľ nie sú nepretržite pod dozorom.

POVOLENÉ POUŽÍVANIE

⚠ **UPOZORNENIE:** spotrebič nie je určený na ovládanie externým vypínačom, ako je časovač alebo samostatný systém diaľkového ovládania.

⚠ Tento spotrebič je určený na použitie v domácnosti alebo na podobné účely ako napr.: v oblastiach kuchyniek pre personál v dielňach, kanceláriách a iných pracovných prostrediach; na farmách; pre hostí v hoteloch, motelloch alebo iných ubytovacích zariadeniach.

⚠ Nie je povolené používať ho na iné účely (napr. vykurovanie miestností).

⚠ Tento spotrebič nie je určený na profesionálne používanie. Spotrebič nepoužívajte vonku.

INŠTALÁCIA

⚠ So spotrebičom musia manipulovať a inštalovať ho minimálne dve osoby – riziko zranenia. Pri vybalovaní a inštalovaní používajte ochranné rukavice – riziko porezania.

⚠ Inštaláciu, vrátane prívodu vody (ak je) a elektrického zapojenia a taktiež opravy musí vykonávať kvalifikovaný technik. Nikdy neopravujte ani nevymieňajte žiadnu časť spotrebiča, ak to nie je výslovne uvedené v návode na používanie. Nepúšťajte deti k miestu inštalácie. Po vybalení spotrebiča sa uistite, že sa počas prepravy nepoškodil. V prípade problémov sa obráťte na predajcu alebo popredajný servis. Po inštalácii uložte odpad z balenia (plastové a polystyrénové časti a pod.) mimo dosahu detí – nebezpečenstvo udusenía. Pred vykonávaním inštalačných prác musíte spotrebič odpojiť od elektrického napájania – nebezpečenstvo zásahu elektrickým prúdom. Počas inštalácie dávajte pozor, aby ste spotrebičom nepoškodili napájací kábel – nebezpečenstvo požiaru alebo zásahu elektrickým prúdom. Spotrebič zapnite až po úplnom dokončení inštalácie.

⚠ Pred vsadením spotrebiča do skrinky urobte všetky potrebné výrezy a z otvoru odstráňte odrezky a piliny.

⚠ Ak spotrebič nie je inštalovaný nad rúrou, je potrebné do priehradky pod spotrebičom nainštalovať oddelovací panel (nie je priložený).

VAROVANIA PRI POUŽÍVANÍ ELEKTRICKÉHO SPOTREBIČA

⚠ Spotrebič sa musí dať odpojiť od napájania buď vytiahnutím zástrčky, pokiaľ je ľahko dostupná, alebo prostredníctvom prístupného viacpólového prepínača nainštalovaného pred zásuvkou a spotrebič musí byť uzemnený v súlade s národnými bezpečnostnými normami pre elektrotechniku.


⚠ Nepoužívajte predlžovacie káble, rozdvojky ani adaptéry. Po inštalácii spotrebiča nesmú byť jeho elektrické časti prístupné používateľom. Nepoužívajte spotrebič, ak ste mokří alebo bosí. Spotrebič nepoužívajte, ak má poškodený napájací kábel alebo zástrčku, ak nefunguje správne, či ak bol poškodený alebo spadol.

⚠ Inštalácia použitím zástrčky napájacieho kábla nie je povolená, pokiaľ výrobok nemá už takúto výbavu dodanú výrobcom.


⚠ Ak je poškodený napájací elektrický kábel, musí ho vymeniť výrobca, jeho autorizovaný servis alebo podobne kvalifikovaná osoba, aby sa predišlo nebezpečenstvu zásahu elektrickým prúdom.

ČISTENIE A ÚDRŽBA

⚠ **POZOR!** Pred vykonávaním údržby dbajte, aby bol spotrebič vypnutý alebo odpojený od elektrického napájania; nikdy nepoužívajte zariadenie na čistenie parou – nebezpečenstvo zásahu elektrickým prúdom.

 Nepoužívajte abrazívne alebo korozívne prostriedky, čističe s obsahom chlóru alebo drôtenky na panvice.

LIKVIDÁCIA OBALOVÉHO MATERIÁLU


Obalové materiály sa môžu na 100 % recyklovať a sú označené symbolom recyklácie .

Rôzne časti obalu likvidujte zodpovedne, v úplnom súlade s platnými predpismi miestnych orgánov, ktorými sa riadi likvidácia odpadov.

LIKVIDÁCIA DOMÁCICH SPOTREBIČOV

Tento spotrebič je vyrobený z recyklovateľných a znovu použiteľných materiálov. Zlikvidujte ho v súlade s miestnymi predpismi o likvidácii odpadov. Podrobnejšie informácie o zaobchádzaní, obnove a recyklácii domácich spotrebičov dostanete na príslušnom miestnom úrade, v zberných strediskách alebo v obchode, kde ste spotrebič kúpili. Tento spotrebič je označený v súlade so smernicou Európskeho parlamentu a Rady 2012/19/EÚ o odpade z elektrických a elektronických zariadení (OEEZ) a s predpismi o odpade z elektrických a elektronických zariadení z r. 2013 (v platnom znení).

Zabezpečením správnej likvidácie výrobku pomôžete predchádzať potenciálnym negatívnym dopadom na životné prostredie a ľudské zdravie.

Symbol  na spotrebiči alebo na sprievodných dokumentoch znamená, že s týmto výrobkom sa nesmie zaobchádzať ako s domácim odpadom, ale je potrebné odovzdať ho v zbernom dvore pre elektrické a elektronické zariadenia.

RADY NA ÚSPORU ELEKTRICKEJ ENERGIE

Horúcu platňu vypnite zopár minút pred dokončením varenia, čím maximálne využijete zvyškové teplo.

Dno hrnca alebo panvice by malo horúcu platňu celkom zakrývať; pri používaní nádoby menšej, než je horúca platňa, sa plytvá energiou.

Hrnce a panvice prikrývajte priliehajúcimi pokrievkami a používajte čo najmenej vody. Varenie bez pokrievky značne zvýši spotrebu energie.

Používajte iba panvice a hrnce s rovným dnom.

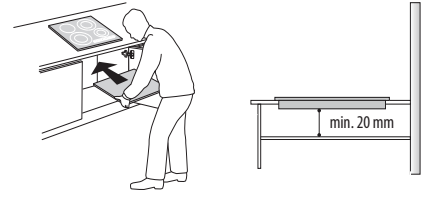
VYHLÁSENIE O ZHODE

Tento spotrebič spĺňa požiadavky nariadenia Komisie (EÚ) 66/2014 na ekodizajn a predpisy z roku 2019 o ekodizajne energeticky významných výrobkov a energetických informáciách (dodatok) (výstup z EÚ) v súlade s európskou normou EN 60350-2.



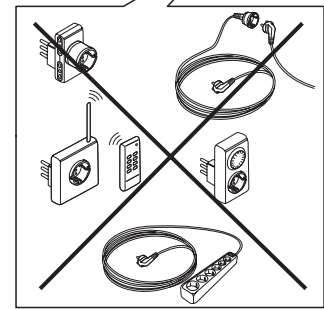
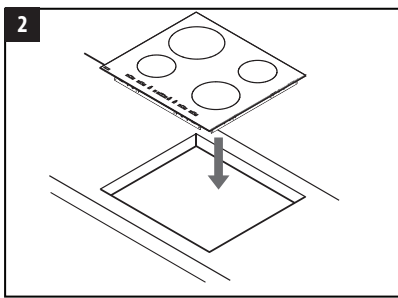
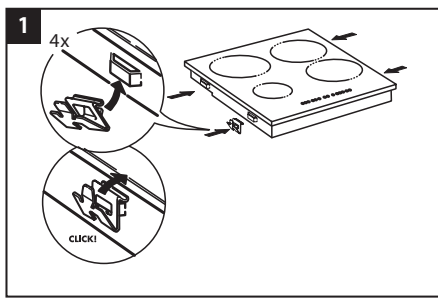
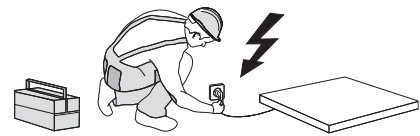
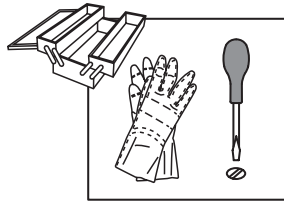
INŠTALÁCIA

- Varná doska musí byť osadená do pracovnej dosky hĺbky minimálne 20 mm.
- Medzi varnou doskou a rúrou nesmie byť nič (priechniky, konzoly a pod.).
- Uistite sa, že napájací kábel je dostatočne dlhý, aby umožnil pohodlnú inštaláciu.
- Vzdialenosť medzi spodnou stranou sklokeramickej varnej dosky a skrinkou alebo deliacim panelom musí byť najmenej 20 mm.
- Rozmery pre zabudovanie a inštaláciu nájdete na obrázku v tomto odseku.
- Je potrebné dodržať minimálnu vzdialenosť medzi varnou doskou a digestorom nad ňou. Viac informácií nájdete v návode na používanie digestora.
- Po vyčistení povrchu varnej dosky nasadte priložené tesnenie (pokiaľ ešte nie je nasadené).
- **Neinštalujte varnú dosku do blízkosti umývačky riadu alebo práčky, aby sa elektronické obvody nedostali do kontaktu s parou alebo vlhkosťou, ktoré ich môžu poškodiť.**
- Ak je pod varnou doskou nainštalovaná rúra, presvedčte sa, či je vybavená chladiacim systémom. Ak teplota elektrických obvodov presahuje maximálnu povolenú teplotu, varná doska sa automaticky vypne. V takom prípade počkajte zopár minút, kým vnútorná teplota elektrických obvodov dosiahne prípustnú úroveň, a vtedy bude možné varnú dosku znova zapnúť.

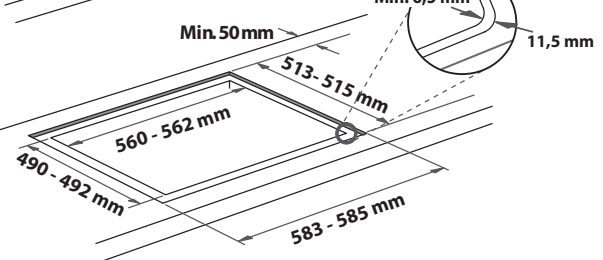
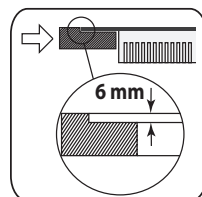
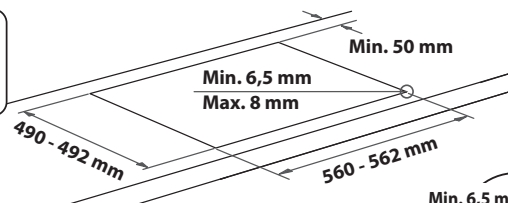
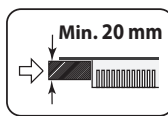
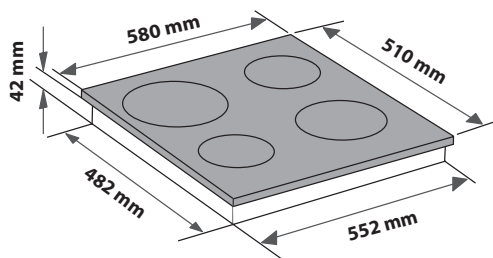
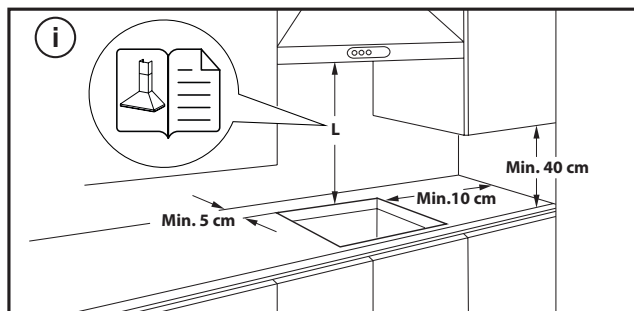


UMIESTNENIE VARNEJ DOSKY

Po elektrickom zapojení (pozrite kapitolu Zapojenie do elektrickej siete). Umiestnite každú upevňovaciu svorku do príslušného otvoru na bočných stranách varnej dosky, ako je zobrazené na obrázku. Potom zatlačte varnú dosku do výrezu a skontrolujte, či je sklo rovné a paralelné s pracovnou doskou. Upevňovacie svorky sú určené na každý typ materiálu pracovnej dosky (drevo, mramor a pod.).



ROZMERY A VZDIALENOSTI, KTORÉ TREBA DODRŽIAVAŤ



DEMONTÁŽ VARNEJ DOSKY:

Ak chcete varnú dosku vybrať, najskôr ju odpojte od elektrickej siete. Dôrazne sa odporúča uvoľniť spodnú časť od rúry, zásuvky, separátora alebo iného komponentu. Umožňuje to technikovi prístup k spodnej časti varnej dosky, aby pomocou skrutkovača uvoľnil štyri spony, zdvihol varnú dosku a vybral ju, čím sa zabráni poškodeniu pracovnej dosky.

ZAPOJENIE DO ELEKTRICKEJ SIETE

Elektrické pripojenie sa musí vyhotoviť už pred pripojením spotrebiča k zdroju napájania.

Napájací kábel nie je súčasťou balenia - nezabudnite si pripraviť vlastný napájací kábel.




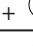
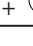
Inštaláciu musí vykonať kvalifikovaný personál, ktorý pozná aktuálne bezpečnostné a inštalčné predpisy. Inštaláciu treba vykonať v súlade s predpismi miestneho dodávateľa elektriny.

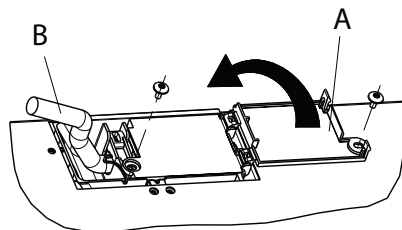
Uistite sa, že je napätie špecifikované na údajovom štítku na spodnej strane zariadenia rovnaké ako napätie vo vašom dome.

Podľa platných predpisov je uzemnenie spotrebiča povinné. Použite iba vodiče príslušnej veľkosti (vrátane uzemňovacieho vodiča).

PRIPOJENIE K SVORKOVNICI

Pri elektrickom zapojení použite kábel typu H05RR-F alebo H05V2V2-F alebo H05V2V2-F, podľa údajov v tabuľke nižšie.

NAPÁJACIE NAPÄTIE	VODIČE POČET x VEĽKOSŤ
220-240V ~+ 	3 x 4 mm ²
230-240V ~+ 	3 x 4 mm ² (iba Austrália)
220-240V 3~+ 	4 x 1,5 mm ²
380-415V 3N~+ 	5 x 1,5 mm ²
380-425V 2N~+ 	4 x 1,5 mm ²



Spotrebič musí byť pripojený k zdroju napájania prostredníctvom viacpólového spínača s minimálnou vzdialenosťou medzi kontaktmi 3 mm.

UPOZORNENIE: napájací kábel musí byť dosť dlhý, aby sa dala varná doska vybrať z pracovnej dosky, a treba ho uložiť tak, aby nedošlo k poškodeniu alebo prehriatiu spôsobenému dotykom so základňou.

POZNÁMKA: žltô-zelený vodič uzemnenia sa musí pripojiť k svorke so symbolom  a musí byť dlhší než ostatné vodiče.

- Stiahnite pribl. 70 mm izolácie z napájacieho kábla (B).
- Odizolujte pribl. 10 mm izolácie z vodičov. Potom vsuňte elektrický prívodný kábel do káblovej úchytky a zapojte vodiče ku svorkovnici, ako je uvedené v schéme zapojenia zobrazenej vedľa samotnej svorkovnice.
- Napájací kábel (B) zaistíte pomocou svorky na káble.
- Zatvorte svorkovnicu krytom (A) a zaistíte priloženými skrutkami.
- Po dokončení elektrického zapojenia namontujte varnú dosku zhora a zaveste ju na upevňovacie pružiny.



ĎAKUJEME, ŽE STE SI KÚPILI VÝROBOK WHIRLPOOL
Aby sme vám mohli lepšie poskytovať pomoc,
zaregistrujte svoj spotrebič na www.whirlpool.eu/register.

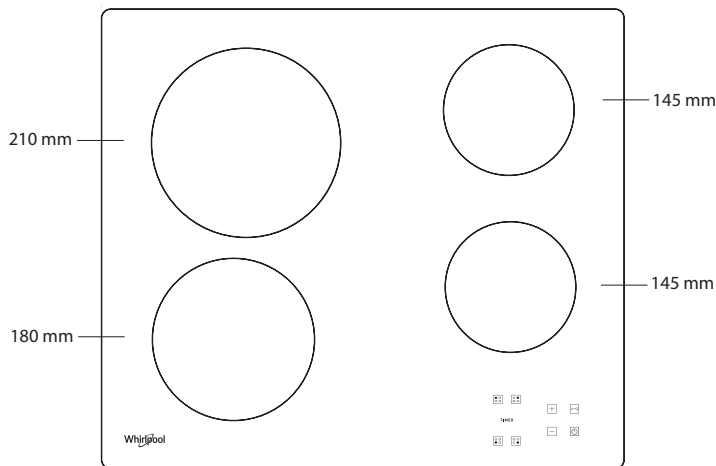


Prv než spotrebič začnete používať, pozorne si prečítajte Bezpečnostné pokyny.

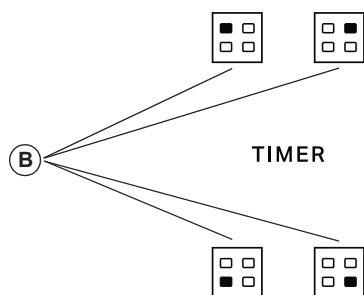
**VIAC INFORMÁCIÍ ZÍSKATE,
AK OSKENUJETE QR KÓD NA
VAŠOM SPOTREBIČI**



OPIS SPOTREBIČA



OVLÁDACÍ PANEĽ



- A** Zapnutie/vypnutie
- B** Oblasť varenia a výber časovača
- C-E** Zvyšovanie a znižovanie úrovne ohrevu
- D** Zámok tlačidiel

PRVÉ POUŽITIE

Pred prvým spustením vykonáva ovládací panel test funkcionality (asi 1 sekundu), po ktorom sa automaticky prepne na funkciu "Zámok tlačidiel". Podržaním tlačidla "D" funkciu vypnete – začujete zvukový signál a príslušná

kontrolka led zhasne.

POZNÁMKA: V prípade resetu spomínaný postup zopakujte.

KAŽDODENNÉ POUŽÍVANIE



ZAPNUTIE/VYPNUTIE VARNEJ DOSKY

Varnú dosku zapnete podržaním tlačidla "A" na približne 2 sekundy. Na displejoch 4 varných zón sa zobrazí "0". V rámci bezpečnostných opatrení sa varná doska automaticky vypne v prípade, ak do 20 sekúnd neaktivujete žiadnu z varných zón.

ZAPÍNANIE A REGULÁCIA VARNÝCH ZÓN

Stlačte jedno z tlačidiel "B" varnej zóny, ktorú chcete použiť. Pomocou tlačidiel "E" alebo "C" zvolte požadovanú úroveň ohrevu. Ostatné voliteľné nastavenia varenia sú v rozmedzí od 1 do 9. Všetky nastavenia zrušíte súčasným stlačením tlačidiel "+/-".

DÔLEŽITÉ UPOZORNENIE: Ovládanie sa po 10 sekundách po nastavení úrovne ohrevu deaktivuje.

Na zmenu úrovne ohrevu najprv znova stlačte tlačidlo "B", potom pomocou tlačidiel "E" alebo "C" zmeňte nastavenie.

TIMER (ČASOVAČ)

Na nastavenie funkcie časovača vyberte zónu varenia a úroveň ohrevu. Potom znova stlačte tlačidlo zóny varenia. Na displeji varnej zóny s nastaveným časovačom sa zobrazí svetielkujúci bod. Na 2 displejoch bliká znak "00". Stlačením tlačidiel "C" alebo "E" nastavíte časovač v rozmedzí od 1 do 99.

DÔLEŽITÉ UPOZORNENIE: Po 10 sekundách sa na displeji časovača zobrazí nastavenie úrovne ohrevu ostatných varných zón.

Zostávajúci čas varenia zobrazíte dvojnásobným stlačením tlačidla zóny s nastaveným časovačom.

FUNKCIA A

Táto funkcia umožňuje automaticky znížiť úroveň výkonu varnej zóny z najvyššej hodnoty (úroveň 9) na hodnotu zvolenú používateľom pre neskoršiu fázu varenia. Ak chcete aktivovať túto funkciu, keď dosiahnete úroveň 9, stlačte najskôr "+". Na displeji sa zobrazí "A" a striedavo bliká "9" s nízkym jasom. V tomto bode zvolte požadovanú úroveň výkonu (menej ako 9) pomocou tlačidla "-".

Na displeji bude striedavo blikať "A" a zvolená úroveň s nízkym jasom. Funkcia sa aktivuje, len čo "A" a zvolená úroveň striedavo blikať na displeji vysokým jasom.

Keď už na displeji nie je vidieť "A" (funkcia "A" sa po niekoľkých minútach automaticky vypne v závislosti od nastavenej úrovne), proces varenia pokračuje s nižším výkonom a na displeji sa zobrazuje len zvolená úroveň výkonu.

POZNÁMKA: táto funkcia nie je možná pri úrovni 9.



ZÁMOK TLAČIDIEL

Funkciu "Zámok tlačidiel" zapnete podržaním tlačidla "D" do chvíle, kým sa nad tlačidlom funkcie nerozsvieti bod. Ovládací panel je zablokovaný s výnimkou funkcie vypnutia. Funkcia zostane aktívna aj po vypnutí a opätovnom zapnutí varnej dosky. Funkciu môžete vypnúť stláčaním tlačidla "D" do chvíle, kým rozsvietený bod nad tlačidlom funkcie nezhasne.

Keď je varná doska vypnutá s aktivovaným zámkom tlačidiel, na zapnutie varnej dosky najskôr deaktivujete funkciu uzamknutia tlačidiel opätovným stláčaním tlačidla "D", kým rozsvietený bod nad tlačidlom funkcie nezhasne.

Prítomnosť vody, vyvretá kvapalina z hrncov alebo akákoľvek látka, ktorá sa dostane na tlačidlo pod symbolom, môže aktivovať alebo deaktivovať zámok tlačidiel.

H KONTROLKA ZVÝŠKOVÉHO TEPLA

Po vypnutí varnej zóny ostane rozsvietená kontrolka zvyškového tepla "H", príp. sa striedavo rozsvieti spolu s "0", až kým teplota varnej dosky neklesne pod bezpečnú úroveň.

DÔLEŽITÉ UPOZORNENIE: Bezpečnostné prvky varnej dosky zahŕňajú funkciu automatického vypnutia. V prípade dlhého použitia rovnakého nastavenia úrovne

ohrevu sa zapne automatické vypnutie varnej zóny (napr. varná zóna sa vypne po hodine varenia pri maximálnej úrovni ohrevu).

DÔLEŽITÉ: Aby nedošlo k trvalému poškodeniu varnej dosky:

- nepoužívajte nádoby, ktorých dno nie je úplne ploché;
- nepoužívajte kovové nádoby s e-mailovým dnom;
- nekladte horúce hrnce/panvice na ovládací panel.

Varná doska je vybavená aj funkciou "auto shut off", ktorá vypne varnú zónu, ak po určitom čase v závislosti od samotného nastavenia výkonu nevykonáte žiadnu zmenu úrovne výkonu. V tabuľke je čas trvania každej úrovne výkonu.

ÚROVEŇ VÝKONU	ČAS AUTOMATICKÉHO VYPNUTIA
0	30 sekúnd
1	10 hodín
2	5 hodín
3	5 hodín
4	4 hodiny
5	3 hodiny
6	2 hodiny
7	2 hodiny
8	2 hodiny
9	1 hodina

TABUĽKA NA VARENIE

ÚROVEŇ VÝKONU		DRUH VARENIA	POUŽÍVANIE ÚROVNE (uvádza skúsenosti a zvyky pri varení)
Maximálny výkon	9	Varenie	Ideálny na rýchle zvýšenie teploty jedla, na rýchle zovretie vody alebo rýchle zohriatie varených tekutín.
	9 – 8	Prudké opečenie	Ideálny na opečenie do hneda, začiatok varenia, vysmážanie mrazených potravín, rýchle dosiahnutie bodu varu.
Vysoký výkon	8 – 7	Zhnednutie – udržiavanie varu – grilovanie	Ideálny na zhnednutie, udržiavanie silného varu, varenie a grilovanie (krátke trvanie, 5-10 minút).
	7 – 6	Vysmážanie – varenie – grilovanie	Ideálny na udržiavanie slabého varu, varenie a grilovanie (stredné trvanie, 10-20 minút), predhrievanie a vysmážanie.
Stredný výkon	6 – 5	Jemné vysmážanie	Ideálny na volské oká, omelety.
	5 – 4	Varenie – mierne varenie – dusenie	Ideálny na dlhšie varenie (ryža, omáčky, pečené mäso, ryby) s tekutinami (napr. vodou, vínom, vývarom, mliekom), cestoviny so smotanou.
	4 – 3	Zahusťovanie – cestoviny so smotanou	
Nízky výkon	2 – 1	Udržiavanie teplého jedla – krémové rizoto	Ideálny na udržiavanie práve uvareného jedla teplého (napr. omáčok, polievok, minestrone), krémové rizoto a udržiavanie teploty podávaných jedál.
Minimálny výkon	1	Rozmrazovanie	Ideálny na rozmrazovanie malých produktov a jemné roztápanie čokolády alebo masla.
Nulový výkon	0	–	Varná doska v pohotovostnom režime alebo vypnutá (prípadné zvyškové teplo po skončení varenia, vyznačené "H").

ČISTENIE A ÚDRŽBA

⚠ Odpojte rúru od elektrického napájania.

- Nepoužívajte čistiace zariadenia využívajúce paru.
- Nepoužívajte abrazívne čistiace špongie ani drôtenky, lebo by mohli poškodiť sklo.
- Po každom použití vyčistite varný panel (keď je vychladnutý), aby ste odstránili všetky usadeniny a škvry spôsobené zvyškami jedla.
- Cukor alebo potraviny s vysokým obsahom cukru môžu varný panel poškodiť, a preto ich treba ihneď odstrániť.

- Soľ, cukor a piesok by mohli poškrabať sklenený povrch.
- Používajte mäkkú utierku, absorpčné papierové kuchynské utierky alebo špeciálne výrobky určené na čistenie varného panela (dodržiavajte pokyny výrobcu).
- Vyliate tekutiny môžu na varných zónach spôsobiť pohyby alebo vibrovanie hrncov.
- Po čistení povrch varného panela dôkladne osušte.

Ak by varný panel nefungoval správne, predtým, ako zavoláte servis, skúste problém vyriešiť pomocou príručky na odstraňovanie problémov.

- Prečítajte si a dodržujte pokyny uvedené v časti "Každodenné používanie".
- Skontrolujte, či nedošlo k prerušeniu dodávky elektriny.
- Po čistení povrch varnej dosky dôkladne osušte.
- Ak bola zvolená varná zóna a na displeji sa zobrazí "F" alebo "ER", za ktorým nasleduje číslo, kontaktujte popredajný servis a informujte ich.
- Ak je kód chyby "F03", "ER03" alebo "E02", skúste to vyriešiť podľa týchto pokynov:
 - Ak sa zobrazí chyba "E02" uistite sa, že ste nestláčali tlačidlá dlhšie ako 5 sekúnd, na ploche HMI nie je žiadna látka a že je čistá a suchá – pri čistení postupujte podľa odseku Čistenie a údržba.
 - Ak sa objaví chyba "F03", skúste varnú dosku vypnúť a znova zapnúť.
 - Ak sa zobrazí chyba "F04", kontaktujte popredajný servis a oznámte im, ktorý kód sa zobrazuje.
- Ak varná doska nepracuje po intenzívnom použití, vnútorná teplota varnej dosky je príliš vysoká. Počkajte niekoľko minút, kým varná doska nevychladne.

- Ak tepelný zdroj nie je nepretržite zapnutý, ale cyklicky sa zapína a vypína, aj keď sa úroveň výkonu na displeji nemení, je to súčasť normálneho fungovania varnej dosky. Cyklus zapnutia/vypnutia umožňuje reguláciu výkonu ohrievača a je úplne normálny. V niektorých prípadoch môže tepelná ochrana na určitý čas vypnúť ohrievač, aby nedošlo k poškodeniu skla. Príklady takýchto prípadov sú: Dlhé varenie pri vysokej úrovni výkonu s použitím hrncov menších ako vyhrievacie teleso a hrncov, ktoré nemajú ploché dno.
- Ak varná doska vydáva krátky zvuk bez toho, aby zákazník stlačil akékoľvek tlačidlo, dajte na poriadok každé rozliatie tekutiny na HMI. Vysušte HMI a pokračujte v používaní varnej dosky. Ak bola varná doska vypnutá automaticky, môže to byť spôsobené prítomnosťou tekutiny na HMI. Vysušte HMI a varnú dosku znova zapnite.

Ak po horeuvedených kontrolách porucha pretrváva, zavolajte najbližšie servisné stredisko.

POPREDAJNÝ SERVIS

Aby sme vám mohli lepšie poskytovať pomoc, zaregistrujte, prosím, svoj spotrebič na www.whirlpool.eu/register.

PREDTÝM, NEŽ ZAVOLÁTE POPREDAJNÝ SERVIS:

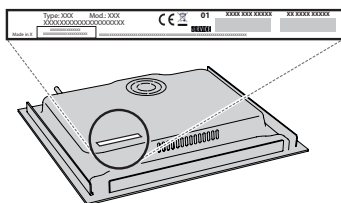
1. Zistite, či nedokážete problém vyriešiť sami s pomocou návrhov riešení uvedených v časti **RIEŠENIE PROBLÉMOV**.
2. Spotrebič vypnite a opäť zapnite, aby ste skontrolovali, či chyba pretrváva.

AK PO KONTROLÁCH UVEDENÝCH VYŠŠIE PORUCHA NAĎALEJ PRETRVÁVA, SPOJTE SA S NAJBLIŽŠÍM AUTORIZOVANÝM SERVISNÝM STREDISKOM.

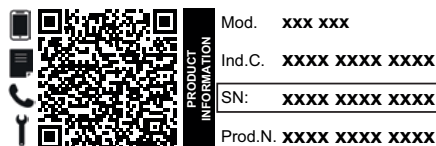
Ak potrebujete pomoc, volajte na číslo uvedené v záručnej knižke alebo postupujte podľa pokynov na webovej stránke www.whirlpool.eu.

Pri kontaktovaní nášho zákazníckeho popredajného servisu vždy uveďte:

- stručný opis poruchy;
- presný typ a model spotrebiča;



- výrobné číslo (číslo uvedené po slove SN na výkonnostnom štítku pod spotrebičom). Výrobné číslo je uvedené aj v dokumentácii;



- vašu úplnú adresu;
- vaše telefónne číslo.

Ak je nevyhnutné spotrebič opraviť, obráťte sa na autorizované servisné stredisko (zaručí sa tým použitie originálnych náhradných dielov a správny postup pri oprave).

Zásady, štandardnú dokumentáciu a ďalšie informácie o výrobku nájdete:

- Použitie QR kódu vo vašom spotrebiči;
- Na našej webovej stránke docs.whirlpool.eu;
- Prípadne **sa obráťte na náš popredajný servis** (telefónne číslo nájdete v záručnej knižke). Pri kontaktovaní nášho popredajného servisu uveďte, prosím, kódy z výrobného štítku vášho spotrebiča.



Prenesite celotna navodila za uporabo na <http://docs.whirlpool.eu> ali pokličite telefonsko številko, navedeno v garancijski knjižici.

Pred uporabo aparata preberite ta varnostna navodila. Navodila hranite na dosegu roke za prihodnjo uporabo. V navodilih za uporabo in na aparatu so pomembna varnostna navodila, ki jih mora uporabnik prebrati in vedno upoštevati. Proizvajalec ne prevzema odgovornosti v primeru neupoštevanja varnostnih navodil, nepravilne uporabe aparata ali napačne nastavitve upravljalnih elementov.

⚠ **OPOZORILO:** Če na površini kuhalne plošče opazite razpoko, aparata ne uporabljajte, saj obstaja nevarnost električnega udara.

⚠ **OPOZORILO:** Nevarnost požara: ne hranite predmetov na kuhalni površini.

⚠ **POZOR:** Postopek kuhanja je treba nadzorovati. Postopek kratkotrajnega kuhanja je treba nenehno nadzorovati.

⚠ **OPOZORILO:** Nenadzorovano kuhanje na kuhalni plošči z mastjo ali oljem je lahko nevarno, saj obstaja možnost požara. NIKOLI ne skušajte pogasiti ognja z vodo: aparat izključite in nato pokrijte plamen npr. s pokrovom ali požarno odejo.

⚠ Kuhalne plošče ne uporabljajte kot delovni pult ali podlago. Pazite, da aparat ne pride v stik s krpami ali drugimi vnetljivimi predmeti, dokler se vse komponente povsem ne ohladijo, saj lahko pride do požara.

⚠ Zelo majhni otroci (0–3 let) naj se ne približujejo aparatu. Majhni otroci (3–8 let) ne smejo biti v bližini aparata brez stalnega nadzora. Otroci, stari 8 let ali več, in osebe z omejenimi telesnimi, čutnimi ali razumskimi sposobnostmi oz. osebe, ki nimajo izkušenj in znanja, lahko aparat uporabljajo le, če so pod nadzorom oz. če so bili poučeni o varni uporabi aparata in se zavedajo morebitnih nevarnosti. Otroci se z aparatom ne smejo igrati. Otroci brez nadzora ne smejo čistiti ali vzdrževati aparata.

⚠ **OPOZORILO:** Aparat in dostopni deli se med uporabo segrejejo. Pazite, da se ne dotaknete grelnikov. Otroci, mlajši od 8 let, se ne smejo zadrževati v bližini aparata, če niso pod stalnim nadzorom.

DOVOLJENA UPORABA

⚠ **POZOR:** aparat ni namenjen temu, da bi ga upravljali z zunanji upravljalnimi napravami, kot sta časovnik ali ločen daljinski upravljalnik.

⚠ Aparat je namenjen uporabi v gospodinjstvu in temu podobnim načinom uporabe, na primer: v kuhinjah za osebe v trgovinah, pisarnah in drugih delovnih okoljih, na kmetijah, za goste v hotelih, motelih in prebivalce drugih stanovanjskih okolij.

⚠ Druga uporaba ni dovoljena (npr. za segrevanje prostorov).

⚠ Aparat ni namenjen profesionalni uporabi. Aparata ne uporabljajte na prostem.

NAMESTITEV

⚠ Za premikanje in namestitev aparata sta potrebni najmanj dve osebi, saj obstaja nevarnost poškodb. Za odstranjevanje embalaže in namestitev aparata uporabite zaščitne rokavice, saj obstaja nevarnost ureznin.

⚠ Namestitev, vključno s priklopom vode (če je prisotna) in elektrike, mora izvesti usposobljen tehnik. Ne popravljajte ali zamenjajte delov aparata, razen če to ni izrecno navedeno v navodilih za uporabo. Otroci se mestu namestitve ne smejo približevati. Ko aparat odstranite iz embalaže, se prepričajte, da se med prevozom ni poškodoval. V primeru težav se obrnite na prodajalca ali na najbližjo servisno službo. Ko je aparat nameščen, embalažo (plastika, deli iz stiropora itd.) shranite izven dosega otrok, saj obstaja nevarnost zadušitve. Preden aparat namestite, ga zaradi nevarnosti električnega udara odklopite z električnega omrežja. Med namestitvijo pazite, da aparat ne poškoduje napajalnega kabla, saj to lahko privede do požara ali povzroči električni udar. Aparat vključite šele, ko je namestitev končana.

⚠ Vse potrebne izreze v element izvedite pred vgradnjo aparata in odstranite vse lesene trske in žagovino.

⚠ Če aparat ni vgrajen nad pečico, je treba v predelek pod aparatom vgraditi ločevalno ploščo (ni priložena).

OPOZORILO GLEDE ELEKTRIČNEGA TOKA

⚠ Prekinitev napajanja aparata mora biti mogoča z izklopom vtiča, če je ta na dosegu roke, ali z dosegljivim večpolnim stikalom, ki je v skladu s predpisi za ožičenje nameščen v bližini vtičnice. Aparat mora biti prav tako ozemljen v skladu z nacionalnimi standardi glede električne varnosti.

⚠ Prepovedana je uporaba podaljškov, razdelilnih vtičnic in adapterjev. Električne komponente po namestitvi aparata uporabnikom ne smejo biti dostopne. Aparata ne uporabljajte, ko ste mokri ali bosi. Aparata ne uporabljajte, če ima poškodovan napajalni kabel ali vtič, če ne deluje pravilno oziroma če je bil poškodovan ali je padel.

⚠ Namestitev z vtičem napajalnega kabla ni dovoljena, razen če je izdelek že opremljen z vtičem proizvajalca.


⚠ Da se izognemo nevarnosti, lahko poškodovan napajalni kabel z enakim kablom nadomesti le proizvajalec, njegov serviser ali podobno usposobljena oseba, saj obstaja možnost električnega udara.

ČIŠČENJE IN VZDRŽEVANJE

⚠ **OPOZORILO:** Aparat morate pred vzdrževalnimi deli izklopiti in izključiti z električnega napajanja; ne uporabljajte parnih čistilcev, saj obstaja nevarnost električnega udara.

⚠ Ne uporabljajte abrazivnih ali korozivnih izdelkov, čistil na osnovi klora ali žičnatih gob.

ODSTRANJEVANJE EMBALAŽNEGA MATERIALA


Embalažo je mogoče povsem reciklirati in je označena s simbolom za recikliranje .

Dele embalaže zato zavržite odgovorno in v skladu s predpisi pristojnih služb, ki urejajo odlaganje odpadkov.

ODSTRANJEVANJE GOSPODINJSKIH APARATOV

Aparat je izdelan iz materialov, ki jih je mogoče reciklirati ali ponovno uporabiti. Aparat zavržite v skladu z veljavnimi lokalnimi predpisi. Dodatne informacije o odstranjevanju in recikliranju električnih gospodinjskih aparatov lahko dobite na pristojnem občinskem uradu, pri komunalni službi ali v trgovini, kjer ste aparat kupili. Aparat je označen v skladu z evropsko Direktivo 2012/19/EU o odpadni električni in elektronski opremi (OEEO) in uredbami o odpadni električni in elektronski opremi (WEEE) iz leta 2013 (v veljavni različici).

Aparat odložite na predvidenih zbirnih mestih, saj lahko s tem preprečite škodljive posledice za okolje in zdravje ljudi.

Simbol  na aparatu ali priloženi dokumentaciji pomeni, da je aparat prepovedano odlagati med komunalne odpadke. Oddati ga je treba na zbirnem centru za recikliranje električne in elektronske opreme.

NASVETI ZA VARČEVANJE Z ENERGIJO

Čim bolj izkoristite preostanek toplote na kuhališču, tako da aparat izključite nekaj minut, preden je jed kuhana.

Dno posode naj povsem prekriva kuhališče: če je dno posode manjše od površine kuhališča, bo prišlo do izgube energije.

Posodo med kuhanjem prekrijte s tesno prilegajočimi se pokrovi in porabite kar najmanj vode. Če posode med kuhanjem ne prekrijete s pokrovi, bo poraba energije občutno večja.

Uporabljajte samo posodo z ravnim dnom.

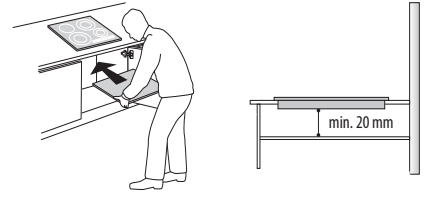
IZJAVA O SKLADNOSTI

Ta naprava je skladna z zahtevami za okoljsko primerno zasnovano uredbo Komisije (EU) št. 66/2014 in uredbami iz leta 2019 za okoljsko primerno zasnovane izdelke, povezanih z energijo, in energetske informacije (sprememba) (izstop iz EU) v skladu z evropskim standardom EN 60350-2.



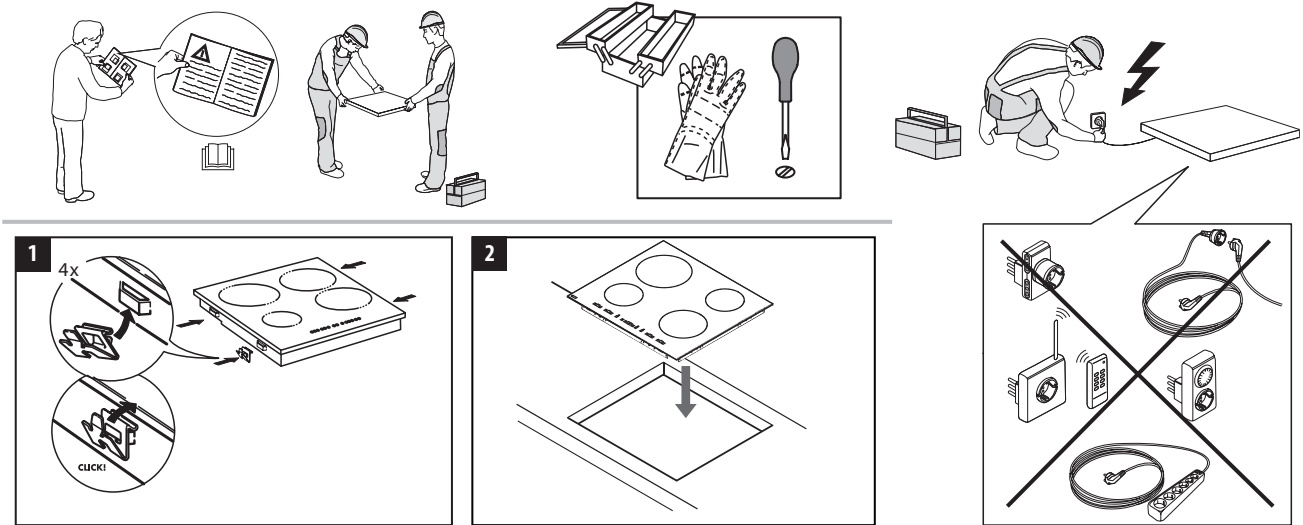
NAMESTITEV

- Kuhalna površina mora biti vgrajena v kuhinjski pult vsaj 20 mm globoko.
- Med kuhhalno ploščo in pečico ne sme biti nobenih predmetov (prečnih drogov, nosilcev itd.).
- Prepričajte se, da je priključni kabel dovolj dolg, da je namestitev mogoče izvesti brez težav.
- Med spodnjo stranjo steklokeramične kuhhalne plošče in omarico ali ločilno ploščo mora biti vsaj 20 mm razdalje.
- Za vgradne dimenzije in namestitev glejte sliko v tem odstavku.
- Pri vgradnji upoštevajte najmanjšo razdaljo med kuhhalno ploščo in napo nad njo. Za več informacij glejte uporabniški priročnik nape.
- Na kuhhalno ploščo namestite priloženo tesnilo (razen če je že nameščeno), potem ko ste očistili površino plošče.
- **Kuhhalne plošče ne nameščajte ob pomivalni ali pralni stroj, da elektronska vezja ne pridejo v stik s paro ali vlago, ki bi jih lahko poškodovala.**
- Če pod kuhhalno ploščo namestite pečico, se prepričajte, da je opremljena s hladilnim sistemom. Če temperatura elektronskih vezij preseže največjo dovoljeno temperaturo, se kuhhalna plošča samodejno izklopi; V tem primeru počakajte nekaj minut, dokler notranja temperatura elektronskega tiskanega vezja ne doseže dopustnega nivoja, na katerem bo mogoče ponovno vklopiti kuhhalno ploščo.

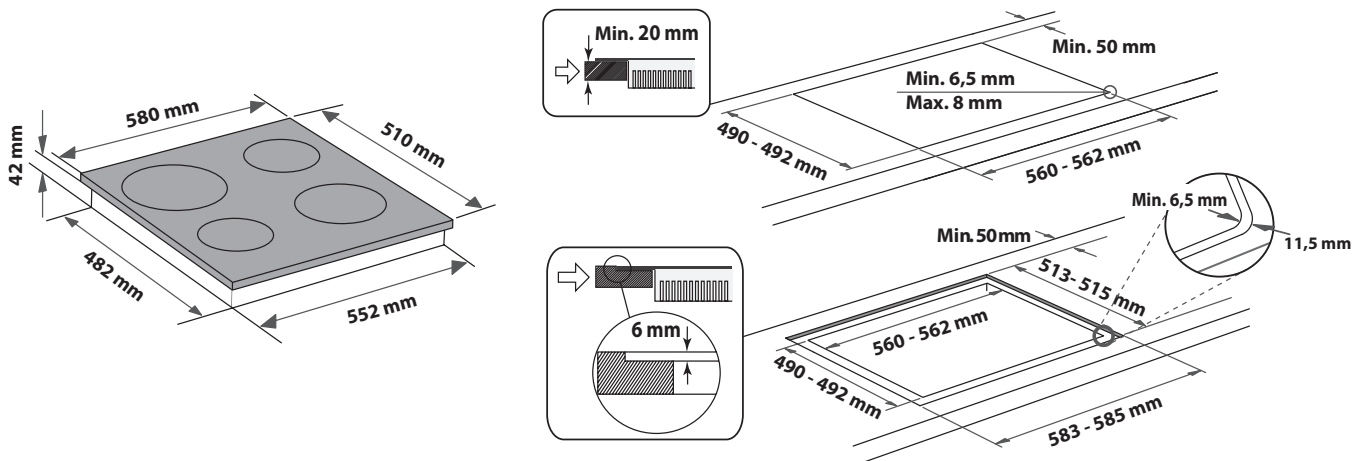
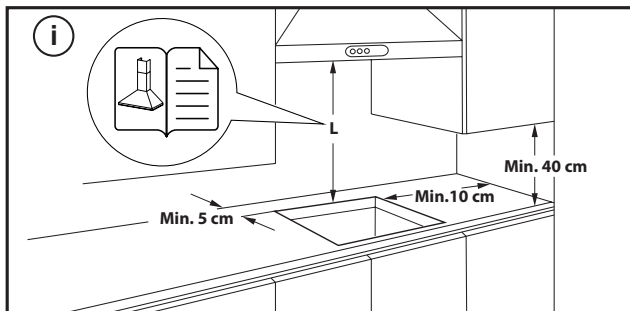


NAMESTITEV KUHALNE PLOŠČE

Po električnem priklopu (glejte poglavje "Priklučitev na električno omrežje") namestite pritrdilne sponke na ustrezne reže ob straneh kuhhalne plošče, kot je prikazano na sliki. Kuhhalno ploščo nato potisnite v izrezano odprtino in se prepričajte, da je steklokeramična površina poravnana in vzporedna s pultom. Pritrdilne sponke so primerne za pulte iz vseh vrst materialov (les, marmor itd.).



DIMENZIJE IN NAJMANJŠE RAZDALJE



ODSTRANITEV KUHALNE PLOŠČE:

preden odstranite kuhhalno ploščo, jo odklopite z električnega napajanja. Zelo priporočamo, da po potrebi odstranite pečico, predal, pregrado ipd. pod kuhhalno ploščo. Tako bo imel servisni tehnik prost dostop do spodnje strani kuhhalne plošče in bo lahko z izvijačem sprostil vse štiri sponke, dvignil kuhhalno ploščo in jo odstranil, ne da bi poškodoval kuhinjski pult.

PRIKLJUČITEV NA ELEKTRIČNO OMREŽJE

Električni priklop mora biti izveden pred priklopom naprave na napajalno omrežje.

Priključni kabel ni vključen v obseg dobave – ne pozabite priskrbeti svojega priključnega kabla.




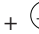
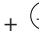
Namestitev mora izvesti kvalificirano osebje, ki pozna trenutne predpise glede varnosti in namestitve. Električna inštalacija mora biti izvedena v skladu s predpisi, ki jih narekuje krajevni dobavitelj električne energije.

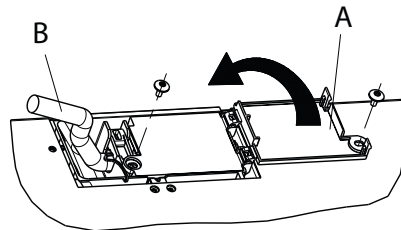
Pazite, da je napetost, podana na tipski ploščici na dnu naprave, ista kot v vašem domu.

S predpisi je določena obvezna ozemljitev naprave: uporabljajte le vodnike (vključno z ozemljitvenim vodnikom) primerne velikosti.

PRIKLOP NA VRSTNO SPONKO


Za električni priklop uporabite kabel H05RR-F, kot je navedeno v spodnji preglednici.

ELEKTRIČNA NAPETOST	VODNIKI KOLIČINA x VELIKOST
220-240V ~ + 	3 x 4 mm ²
230-240V ~ + 	3 x 4 mm ² (csak Ausztrália)
220-240V 3~ + 	4 x 1,5 mm ²
380-415V 3N~ + 	5 x 1,5 mm ²
380-425V 2N~ + 	4 x 1,5 mm ²



Napravo je treba priključiti na električno omrežje prek večpolnega ločilnega stikala z najmanj 3-milimetrskim razmikom med kontakti.

POMEMBNO: Napajalni kabel mora biti dovolj dolg, da je kuhhalno ploščo mogoče sneti iz kuhinjskega pulta, in mora biti nameščen tako, da se izognete okvaram ali pregrevanju, ki jih lahko povzroči stik s podlago.

OPOMBA: rumeno-zelen ozemljitveni vodnik mora biti povezan na sponko s simbolom  in mora biti daljši od drugih vodnikov.

- Z napajalnega kabla odstranite približno 70 mm plašča (**B**).
- Z vodnikov odstranite približno 10 mm plašča. Nato vstavite napajalni kabel v kabelsko sponko in priključite vodnike na vrstno sponko, kot je prikazano na diagramu povezav, ki je tik ob vrstni sponki.
- Napajalni kabel (**B**) pritrdite s kabelsko sponko.
- Priključno ploščo zaprite s pokrovom (**A**) in pokrov pritrdite s priloženim vijakom.
- Po električnem priklopu vstavite kuhhalno ploščo v pult, kot je prikazano na sliki, da se pritrdilne sponke zaskočijo.



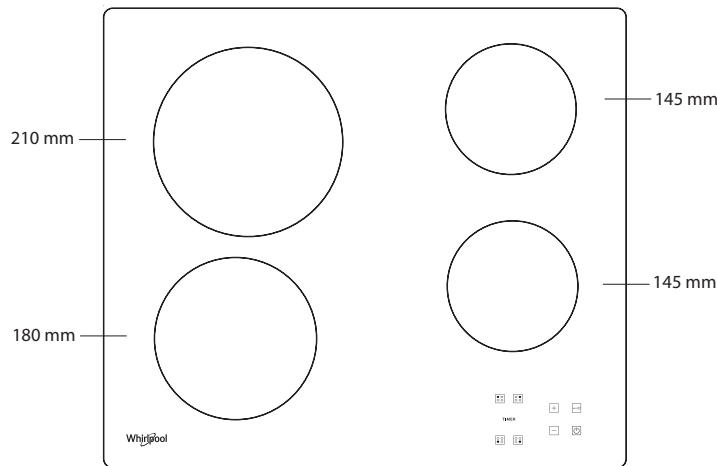
HVALA, KER STE SE ODLOČILI ZA IZDELEK WHIRLPOOL
Če želite celovitejšo pomoč, izdelek registrirajte na spletni strani www.whirlpool.eu/register.

**ZA PODROBNEJŠE INFORMACIJE
POSKENIRAJTE KODO QR NA
NAPRAVI**

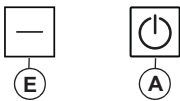
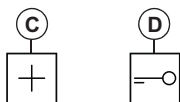
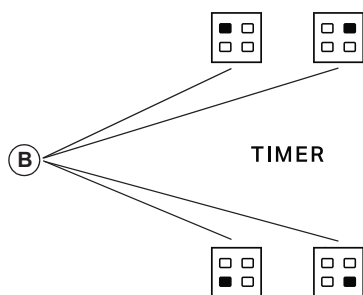


Pred uporabo aparata pozorno preberite varnostna navodila.

OPIS IZDELKA



UPRAVLJALNA PLOŠČA



- A** Vkllop/izklop
- B** Izbira kuhalnega polja in nastavitve časovnika
- C-E** Povečevanje in zmanjševanje nastavitve toplote
- D** Zaklep gumbov

PRVA UPORABA

Po prvi namestitvi nadzorna plošča izvede preskus delovanja za približno 1 sekundo, potem pa samodejno preklopi na funkcijo "Key lock" (Zaklep gumbov).

Funkcijo lahko izklopite tako, da pritisnete in zadržite tipko "D"; zasliši se zvočni signal, ustrezna LED-lučka pa ugasne.

OPOMBA: Če pride do ponastavitve, ponovite zgoraj opisan postopek.

VSAKODNEVNA UPORABA



VKLOP/IZKLOP KUHALNIKA

Kuhalno ploščo vklopite s pritiskom na gumb "A", ki ga držite približno 2 sekundi. Na prikazovalnikih vseh štirih kuhalnih polj se prikaže "0". Če v 20 sekundah ni aktivirano nobeno kuhalno polje, se kuhalna plošča iz varnostnih razlogov samodejno izklopi.

VKLAPLJANJE IN PRILAGAJANJE KUHALNIH OBMOČIJ

Pritisnite enega od gumbov "B", in sicer tistega, ki ustreza kuhalnemu polju, ki ga želite uporabiti. Z gumboma "E" ali "C" izberite želeno nastavitve temperature. Ostale nastavitve kuhanja lahko izbirate od 1 do 9. S sočasnim pritiskom na gumba "+/-" prekličete vse nastavitve.

POMEMBNO: Komandni gumb se deaktivira 10 sekund po izbiri želene temperature.

Če želite spremeniti nastavitve temperature najprej pritisnite gumb za izbiranje "B", nato pa nadaljujte s spreminjanjem nastavitve z uporabo gumba "E" ali "C".

TIMER

Če želite vključiti funkcijo časovnika, izberite želeno kuhalno polje in nastavitve moči, nato znova pritisnite tipko kuhalnega polja in na prikazovalniku kuhalnega polja s časovnikom se bo pojavila svetlobna pika. Na 2 prikazovalnikih utripa prikaz "00". Pritisnite gumb "C" ali "E" in nastavite čas od 1 do 99.

POMEMBNO: po 10 sekundah se na prikazovalnikih časovnikov pokaže nastavitve moči drugih kuhalnih polj.

Če želite pogledati preostali čas kuhanja, dvakrat pritisnite tipko kuhalnega polja z nastavljenim časovnikom.

FUNKCIJA A

S to funkcijo lahko uporabnik samodejno zniža stopnjo moči za kuhalno polje z najvišje (stopnja 9) na stopnjo, ki jo je izbral za naslednjo fazo kuhanja.

Za vklop funkcije pritisnite gumb "+", ko je dosežena stopnja 9.

Na zaslonu se prikaže znak "A", znak "9" pa medlo utripa.

Na tej točki z gumbom "-" izberite želeno stopnjo moči (nižjo od stopnje 9).

Znak "A" in izbrana stopnja izmenično medlo utripata na zaslonu.

Funkcija je vklopljena, ko znak "A" in izbrana stopnja izmenično svetlo utripata na zaslonu.

Ko znak "A" izgine zaslona (funkcija "A" se samodejno izklopi po nekaj minutah, odvisno od izbrane stopnje moči), se kuhanje nadaljuje z nižjo močjo, na zaslonu pa je prikazana le izbrana stopnja moči.

OPOMBA: ta funkcija ni na voljo za stopnjo 9.



KEY LOCK (ZAKLEP GUMBOV)

Funkcija Key lock (Zaklep gumbov) se vklopi z daljšim pritiskom na gumb "D", dokler nad funkcijsko tipko ne zasveti pika. Zaklenjene so vse funkcije upravljalne plošče razen funkcije izklopa. Funkcija ostane aktivirana tudi po izklopu in ponovnem vklopu kuhalne plošče, izključite pa jo lahko s ponovnim pritiskom na gumb "D", dokler pika nad funkcijo ne ugasne.

Ko je kuhalna plošča izklopljena z aktiviranim zaklepom gumbov, morate najprej upravljalno ploščo odkleniti s pritiskom na gumb "D", dokler pika nad funkcijo ne ugasne, da lahko vklopite kuhalno ploščo.

Voda, tekočina iz posod ali predmeti na upravljalnih elementih lahko nenamerno aktivirajo ali deaktivirajo zaklep gumbov.



INDIKATOR PREOSTALE TOPLOTE

Ko se kuhalno polje izklopi, indikator preostale toplote "H" še naprej sveti ali utripa izmenično z "0", dokler se temperatura kuhalne plošče ne zniža na sprejemljivo varno raven.

POMEMBNO: Med varnostnimi lastnostmi kuhalne plošče je tudi funkcija samodejnega izklopa. Daljša uporaba iste nastavitve toplote sproži samodejni

izklop kuhalnega polja (na primer po približno 1 uri pri najvišji nastavitvi toplote, se kuhalno polje izklopi).

POMEMBNO: Da preprečite trajno okvaro kuhalne plošče:

- ne uporabljajte loncev, ki nimajo popolnoma ravnega dna;
- ne uporabljajte kovinskih loncev z emajliranim dnom;
- ne odlagajte toplih loncev/ponev na nadzorno ploščo.

Kuhalna plošča je opremljena tudi s funkcijo za samodejni izklop, s katero se kuhalno polje izklopi, če po preteku določenega intervala ne spremenite stopnje moči, odvisno od nastavitve moči. V preglednici so navedeni časovni intervali za posamezno stopnjo moči.

JAKOSTNA STOPNJA	ČAS SAMODEJNEGA IZKLOPA
0	30 sekund
1	10 ur
2	5 ur
3	5 ur
4	4 ure
5	3 ure
6	2 uri
7	2 uri
8	2 uri
9	1 ura

KUHALNA TABELA

RAVEN MOČI		VRSTA KUHANJA	STOPNJA UPORABE (glede na izkušnje in navade pri kuhanju)
Največja moč	9	Vrenje	Kot nalašč za hitro segrevanje hrane do vrenja, če uporabljate vodo ali tekočine za kuhanje, ki se hitro grejejo.
	9–8	Pečenje	Kot nalašč za porjavitvev, začetek kuhanja, cvrtje zamrznjenih izdelkov, hitro vretje.
Visoka moč	8–7	Porjavitvev – vzdrževanje vrenja – peka na žaru	Kot nalašč za porjavitvev, vzdrževanje vrenja, kuhanje in pečenje (kratkotrajno, 5–10 minut).
	7–6	Cvrtje – kuhanje – pečenje na žaru	Kot nalašč za vzdrževanje počasnega vrenja, kuhanje in pečenje (srednje dolgo, 10–20 minut), predgretje in cvrtje.
Srednja moč	6–5	Nežno cvrtje	Kot nalašč za cvrtje jajc in pripravo omet.
	5–4	Kuhanje – počasno vretje – dušenje	Kot nalašč za kuhanje, ki zahteva več časa (riž, omake, pečenke, ribe) s tekočinami (npr. voda, vino, juhe, mleko), kombiniranje testenin z omako.
	4–3	Zgoščevanje – kombiniranje testenin z omako	
Nizka moč	2–1	Ohranjanje hrane vroče – priprava rižot	Kot nalašč za ohranjanje ravnokar skuhane hrane (npr. omake, juhe, mineštre) vroče, za rižote in pogrevanje servirnega pribora.
Najmanjša moč	1	Odmrzovanje	Kot nalašč za odmrzovanje manjših kosov hrane in nežno topljenje čokolade ali masla.
Brez moči	0	–	Kuhalna plošča v stanju pripravljenosti ali izklopljenem načinu (morda bo prisotna preostala toplota, ki jo označuje "H").

ČIŠČENJE IN VZDRŽEVANJE

Aparat izklopite iz električnega napajanja.

- Ne uporabljajte parnih čistilnikov.
- Ne uporabljajte abrazivnih ali žičnatih gob, ker lahko poškodujejo steklo.
- Po vsaki uporabi očistite kuhalno ploščo (ko je ohlajena), da odstranite ostanke hrane in madeže.
- Sladkor ali hrana z visoko vsebnostjo sladkorja lahko poškodujeta kuhalno ploščo, zato ju morate takoj odstraniti.

- Sol, sladkor in pesek lahko spraskajo stekleno površino.
- Čistite z mehko krpo, papirnatimi brisačami ali čistilnikom za kuhalne plošče (glejte navodila proizvajalca).
- Razlite tekočine na kuhalnih poljih lahko povzročijo premikanje ali tresenje posod.
- Kuhalno ploščo po čiščenju temeljito posušite.

ODPRAVLJANJE TEŽAV

Če kuhalna plošča ne deluje pravilno, preverite navodila za odpravljanje napak, preden kličete servis.

- Preberite in upoštevajte navodila iz razdelka "Vsakodnevna uporaba".
- Preverite, da dovod elektrike ni bil izklopljen.
- Temeljito osušite kuhalno ploščo, potem ko jo očistite.
- Če ste izbrali kuhalno polje in se na zaslonu prikaže znak "F" ali "ER", ki mu sledi številka, o tem obvestite servisno službo.
- Če se prikaže koda napake "F03", "ER03" ali "E02", napako poskusite odpraviti po naslednjem postopku:
 - Če se prikaže koda napake "E02", poskrbite, da vsaj 5 sekund ne pritisnete nobenega gumba, na območju uporabniškega vmesnika ni predmetov, območje pa je čisto in suho – pri čiščenju upoštevajte razdelek o čiščenju in vzdrževanju.
 - Če se prikaže koda napake "F03", kuhalno površino izklopite in znova vklopite.
 - Če se prikaže koda napake "F04", se obrnite na servisno službo in jim sporočite kodo, ki se prikaže.

- Če kuhalna plošča ne deluje po intenzivni uporabi, je notranja temperatura kuhalne plošče še vedno previsoka. Počakajte nekaj minut, da se kuhalna plošča ohladi.
- Če grelnik ne deluje neprekinjeno, temveč se vedno znova vklaplja in izklaplja, čeprav se stopnja moči na zaslonu ne spremeni, je to del normalnega delovanja kuhalne plošče. Z vklapljanjem in izklapljanjem se uravnava moč grelnika; pojav je povsem normalen. V nekaterih primerih lahko toplotna zaščita za nekaj časa izklopi grelnik, da se preprečijo poškodbe na steklu. Takšni primeri so: daljše kuhanje z visoko močjo, uporaba posod, ki so manjše od grelnega elementa, uporaba posod z neravnim dnom.
- Če kuhalna plošča piska, čeprav uporabnik ni pritisnil nobenega gumba, odstranite morebitno razlito tekočino na uporabniškem vmesniku. Obrišite uporabniški vmesnik in nadaljujte z uporabo kuhalne plošče. Če se je kuhalna plošča samodejno izklopila, lahko do tega pride zaradi tekočine na uporabniškem vmesniku. Obrišite uporabniški vmesnik in znova vklopite kuhalno ploščo.

Če tudi po zgoraj navedenih ukrepih ne odpravite napake, pokličite najbližjo servisno službo.

SERVISNA SLUŽBA

Izdelek registrirajte na spletni strani www.whirlpool.eu/register, da vam bomo lahko nudili vsestranski servis in podpor.

PREDEN POKLIČETE SERVISNO SLUŽBO:

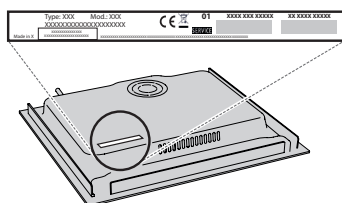
1. Preverite, ali lahko težavo odpravite sami glede na predloge v poglavju **NAVODILA ZA ODPRAVLJANJE TEŽAV**.
2. Z izklopom in ponovnim vklopom aparata preverite, ali je napaka še vedno prisotna.

ČE VAM TUDI PO ZGORAJ NAVEDENIH UKREPIH NE USPE ODPRAVITI NAPAKE, POKLIČITE NAJBLIŽJO SERVISNO SLUŽBO.

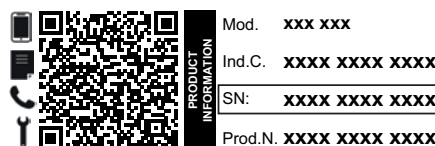
Za pomoč pokličite številko, ki je navedena v garancijski knjižici, ali upoštevajte navodila na spletni strani www.whirlpool.eu.

Ko stopite v stik z našo servisno službo, vedno navedite:

- kratek opis napake;
- tip in točen model aparata;



- Serijska številka (številka po besedi SN na napisni ploščici na spodnji strani naprave). Serijska številka je navedena tudi v dokumentaciji.



- točen naslov;
- svojo telefonsko številko.

Če je potrebno popravilo, se obrnite na pooblaščen servisno službo (za zagotovljeno uporabo originalnih nadomestnih delov in pravilno izvedbo popravila).

Do pravih uporabe, standardne dokumentacije in dodatnih informacij o izdelkih lahko dostopate na naslednje načine:

- Skenirajte QR-kodo na svojem aparatu;
- Obiščite našo spletno stran docs.whirlpool.eu;
- **Obrnete se lahko tudi na našo servisno službo** (telefonske številke so navedene v servisni knjižici). Ko stopite v stik z našo servisno službo, navedite kodo, ki so zapisane na identifikacijski ploščici izdelka.



Cijeli priručnik s uputama preuzmite na <http://docs.whirlpool.eu> ili nazovite telefonski broj koji se nalazi u jamstvenoj knjižici.

Prije upotrebe uređaja pročitajte ove sigurnosne upute. Sačuvajte ih za buduću referencu.

Ovaj priručnik i sam uređaj sadrže važna sigurnosna upozorenja kojih se morate stalno pridržavati. Proizvođač otklanja svaku odgovornost u slučaju nepoštivanja sigurnosnih uputa, za neprikladno korištenje ili za pogrešno podešavanje komandi.

⚠ **UPOZORENJE:** Ako je površina ploče za kuhanje napukla, ne upotrebljavajte uređaj - opasnost od strujnog udara.

⚠ **UPOZORENJE:** Opasnost od požara: nemojte stavljati stvari na površine za kuhanje.

⚠ **PAŽNJA:** Postupak kuhanja mora se nadzirati. Kratki postupak kuhanja mora se neprestano nadzirati.

⚠ **UPOZORENJE:** Pripremanje hrane na masnoći ili ulju bez nadziranja ugradne ploče može biti opasno - opasnost od požara. Vatru NIKADA ne pokušavajte ugasi vodom: umjesto toga isključite uređaj i pokrijte plamen, na primjer, poklopcem ili dekom za gašenje požara.

⚠ Ne upotrebljavajte ploču za kuhanje kao radnu površinu ili oslonac. Odjeću ili druge zapaljive materijale ne približavajte uređaju dok se sastavni dijelovi potpuno ne ohlade - opasnost od požara.

⚠ Vrlo maloj djeci (0 - 3 godina) ne dopuštajte pristup uređaju. Maloj djeci (3 - 8 godina) ne dopuštajte pristup uređaju ako nisu pod nadzorom. Djeca starija od 8 godina i osobe smanjenih fizičkih, osjetilnih i mentalnih sposobnosti ili osobe bez dovoljnog iskustva i znanja mogu koristiti uređaj samo ako su pod nadzorom ili su dobili upute o sigurnom rukovanju uređajem te ako razumiju potencijalne opasnosti. Djeca se ne smiju igrati s uređajem. Djeca ne smiju čistiti niti održavati uređaj bez nadzora.

⚠ **UPOZORENJE:** Uređaj i njegovi dostupni dijelovi se tijekom uporabe zagriju. Pazite da ne biste dodirnuli grijaće elemente. Djeca mlađa od 8 godina trebaju se držati podalje od uređaja, osim ako su pod nadzorom.

DOZVOLJENI RASPON UPOTREBE

⚠ **PAŽNJA:** uređaj nije namijenjen radu pomoću vanjskog uređaja za uključivanje kao što je mjerac vremena ili odvojeni sustav daljinskog upravljanja.

⚠ Ovaj uređaj namijenjen je upotrebi u kućanstvima i na sličnim mjestima, kao što su: kuhinje za osoblje u trgovinama, uredi i druge objekti u kojima se radi; seoske kuće; za goste u hotelima, motelima ili sličnim smještajnim jedinicama.

⚠ Ne dopušta se nikakva druga uporaba (npr. grijanje prostorija).

⚠ Ovaj uređaj nije namijenjen za profesionalnu upotrebu. Nemojte koristiti ovaj uređaj na otvorenom prostoru.

INSTALIRANJE

⚠ Pri postavljanju, uređajem moraju rukovati dvije ili više osoba: opasnost od ozljeda. Za raspakiranje i postavljanje uređaja upotrijebite zaštitne rukavice: opasnost od porezotina.

⚠ Postavljanje, uključujući dovod vode (ako je uređaj opremljen) i električne priključke te popravke smije obavljati samo kvalificirani tehničar. Nemojte popravljati ni zamjenjivati bilo koji dio kućanskog uređaja osim ako se to izričito ne navodi u korisničkom priručniku. Djeci ne dozvoljavajte približavanje mjestu postavljanja. Nakon uklanjanja ambalaže s uređaja provjerite da nije došlo do oštećenja za vrijeme transporta. U slučaju problema, kontaktirajte distributera ili najbliži servis. Nakon postavljanja otpadni materijal pakiranja (plastiku, dijelove od stiropora itd.) odložite van dohvata djece: opasnost od gušenja. Uređaj se prije postavljanja mora isključiti iz napajanja: opasnost od električnog udara. Pazite da za vrijeme postavljanja uređaj ne ošteti električni kabel: opasnost od požara ili električnog udara. Uređaj uključite tek kada završi postupak postavljanja.

⚠ Obavite sve radove izrezivanja i pažljivo uklonite sve strugotine i piljevinu prije postavljanja uređaja u element.

⚠ Ako se uređaj ne postavlja iznad pećnice ploča za razdvajanje (nije uključena u pakiranje) mora se postaviti u odjeljak ispod uređaja.

ELEKTRIČNA UPOZORENJA

⚠ Mora postojati mogućnost isključivanja uređaja iz struje uklanjanjem priključka ako je on dostupan ili to učiniti pomoću dostupne sklopke s više polova instalirane uz utičnicu u skladu s pravilima ožičenja i uređaj mora biti uzemljen u skladu s nacionalnim sigurnosnim standardima za električnu struju.

⚠ Nemojte koristiti produžne kabele, višestruke utičnice ili adaptere. Nakon postavljanja električni dijelovi ne smiju biti dostupni korisniku. Uređaj ne upotrebljavajte kada ste mokri ili bosi. Uređaj ne upotrebljavate ako su njegov dovodni kabel ili utikač oštećeni, ako ne radi ispravno ili ako je oštećen ili je pao na tlo.

⚠ Instalacija s utikačem kabela za napajanje nije dopuštena osim ako taj proizvod već nije opremljen s onim kojeg isporučuje proizvođač.


⚠ Ako je kabel za napajanje oštećen, istim ga mora zamijeniti proizvođač, ovlaštenu servisera ili osobe slične kvalifikacije kako biste izbjegli opasne situacije: opasnost od strujnog udara.

ČIŠĆENJE I ODRŽAVANJE

⚠ **UPOZORENJE:** Provjerite je li uređaj isključen ili odspojen iz napajanja prije obavljanja bilo kojeg zahvata održavanja; nikada ne upotrebljavajte uređaje za čišćenje parom: opasnost od električnog udara.

⚠ Ne koristite abrazivne ili korozivne proizvode, sredstva za čišćenje na bazi klorida ili strugače za tave.


ODLAGANJE AMBALAŽNIH MATERIJALA

Ambalažni materijal može se u potpunosti reciklirati i označen je simbolom recikliranja .

Različiti dijelovi ambalaže moraju se stoga odgovorno odlagati i u skladu s propisima lokalnih vlasti o odlaganju otpada.

ODLAGANJE KUĆANSKIH UREĐAJA

Ovaj uređaj proizveden je od materijala koji se može reciklirati ili ponovno iskoristiti. Zbrinite ga sukladno lokalnim pravilnicima o zbrinjavanju otpada. Radi detaljnijih informacija o postupanju, uporabi i recikliranju električnih kućanskih aparata, obratite se nadležnom mjesnom uredu, službi za skupljanje komunalnog otpada ili trgovini u kojoj ste uređaj kupili. Ovaj je uređaj označen u skladu s europskom Direktivom 2012/19/EU o otpadnoj električnoj i elektroničkoj opremi (OEEO) i uredbama o otpadnoj električnoj i elektroničkoj opremi iz 2013. (sukladno izmjenama i dopunama). Osigurajte li ispravno odlaganje tog proizvoda, pomoći ćete u sprječavanju mogućih negativnih posljedica za okoliš i zdravlje ljudi.

Simbol  na proizvodu ili na popratnoj dokumentaciji označava da se s njim ne smije postupati kao s kućnim otpadom, nego ga treba odnijeti na odgovarajuće sakupljalište za recikliranje električnog i elektroničkog otpada.

SAVJETI ZA UŠTEDU ENERGIJE

Iskoristite na najbolji način preostalu toplinu svoje vruće ploče tako da je isključite nekoliko minuta prije kraja kuhanja.

Dno posude treba u potpunosti prekrivati vruću ploču; posuda koja je manja od vruće ploče dovodi do rasipanja energije.

Lonce i tave pokrijte priranjajućim poklopcima tijekom kuhanja i upotrebljavajte što je moguće manje vode. Kuhanje bez poklopca značajno povećava potrošnju energije.

Upotrebljavajte samo lonce i tave s ravnim dnom.

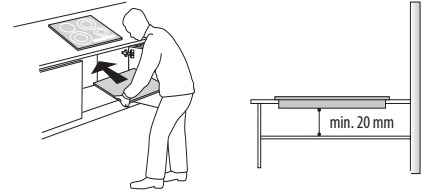
IZJAVA O SUKLADNOSTI

Ovaj uređaj ispunjava zahtjeve o eko-dizajnu europske Uredbe 66/2014 i propise o eko-dizajnu za proizvode povezane s energijom i informacije o energiji (Dopuna) (izlaz iz EU) iz 2019., u skladu s europskom normom EN 60350-2.



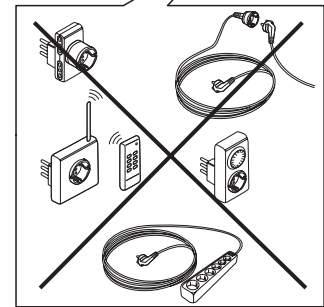
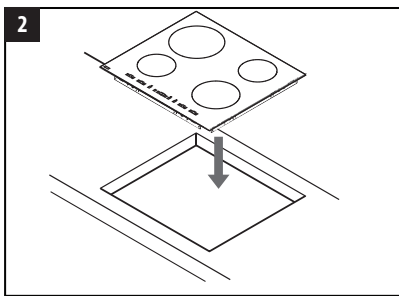
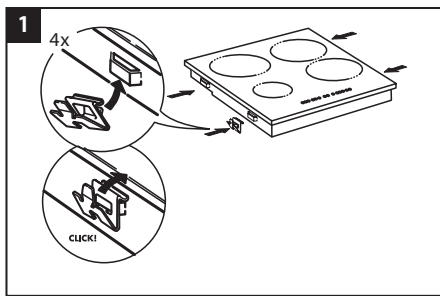
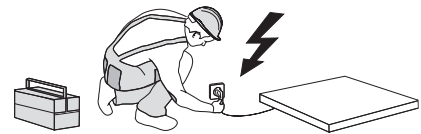
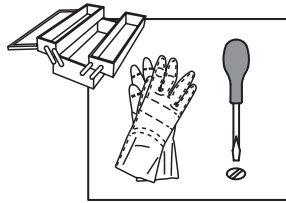
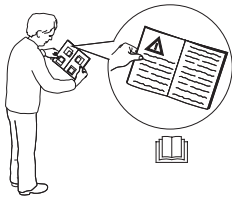
INSTALIRANJE

- Ploča za kuhanje mora se postaviti u radnu površinu na dubinu od najmanje 20 mm.
- Ništa se ne smije nalaziti između ploče za kuhanje i pećnice (poprečne vodilice, nosači itd.).
- Provjerite je li kabel napajanja dovoljno dug da omogućava praktično postavljanje.
- Udaljenost između donje površine staklo keramičke ploče za kuhanje i ormarića ili ploče za razdvajanje mora biti najmanje 20 mm.
- Dimenzije i način ugradnje pogledajte na slici u ovom odjeljku.
- Mora se održati minimalni razmak između ploče za kuhanje i nape iznad nje. Više informacija potražite u korisničkom priručniku nape.
- Isporučenu brtvu postavite na ploču za kuhanje (ako već nije postavljena) nakon što ste očistili površinu.
- **Površinu za kuhanje nemojte postavljati u blizini perilice posuđa ili perilice rublja kako elektronički krugovi ne bi došli u kontakt s parom ili vlagom koja bi ih mogla oštetiti.**
- Ako se pećnica postavlja ispod ploče za kuhanje, provjerite je li opremljena rashladnim sustavom. Ako temperatura elektroničkih sustava prijeđe maksimalnu dozvoljenu temperaturu, ploča za kuhanja automatski će se isključiti; u tom slučaju pričekajte nekoliko minuta da unutarnja temperatura elektroničkih sustava dosegne prihvatljivu razinu kada će se štednjak ponovno moći uključiti.

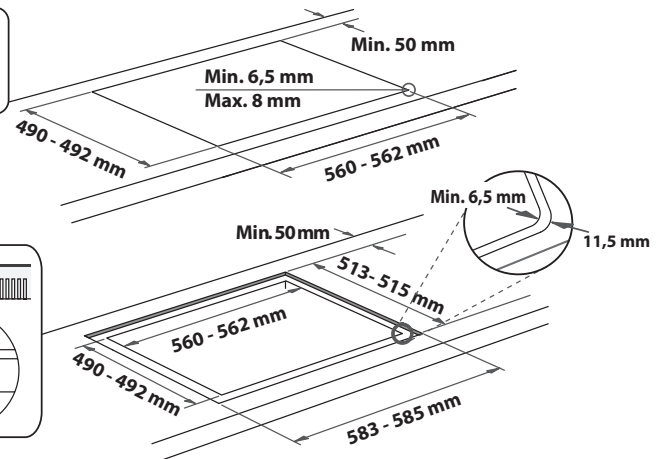
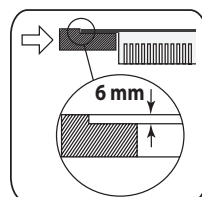
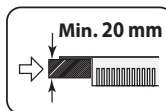
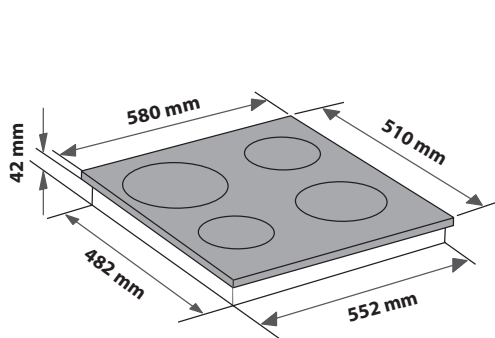
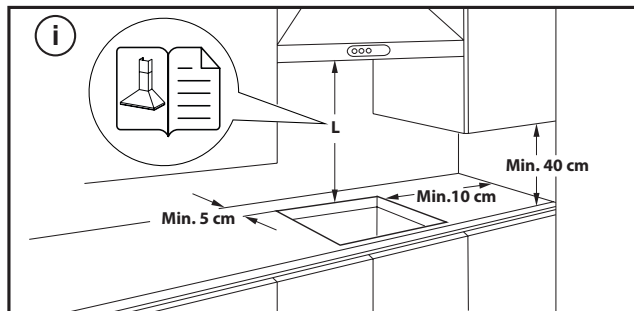


POSTAVLJANJE PLOČE ZA KUHANJE

Nakon priključivanja na električnu mrežu (pogledajte poglavlje "Priključivanje na električnu mrežu") svaku pričvrstnu kopču postavite u tome namijenjene utore na bočnim stranicama ploče za kuhanje kao što je prikazano na slici. Ploču za kuhanje zatim gurnite u rez i provjerite je li staklena površina ravna i paralelna s radnom površinom. Pričvrste su kopče napravljene za sve vrste materijala radne površine (drvo, mramor itd.).



DIMENZIJE I UDALJENOSTI KOJE TREBA ODRŽAVATI



SKIDANJE PLOČE ZA KUHANJE:

Ploču za kuhanje uklonite tako da ju odspojite od električnog napajanja. Posebice se preporučuje da oslobodite donji dio pećnice, ladice, separatora ili nekog drugog dijela. Tako se tehničarima omogućuje pristup donjem dijelu ploče za kuhanje da bi odvijačem otkvačili četiri kopče, podigli ploču za kuhanje i skinuli ju, a da ni na koji način ne oštete radnu površinu.

PRIKLJUČIVANJE NA ELEKTRIČNU MREŽU

Električni priključak mora se napraviti prije priključivanja uređaja na električno napajanje.

Kabel za napajanje nije uključen u pakiranje – obavezno pripremite vlastit kabel.




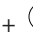
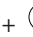
Instalaciju mora provesti kvalificiran osoblje koje poznaje važeće sigurnosne i instalacijske propise. Posebice, instalacija se mora obaviti u skladu s pravilima lokalne tvrtke za opskrbu električnom energijom.

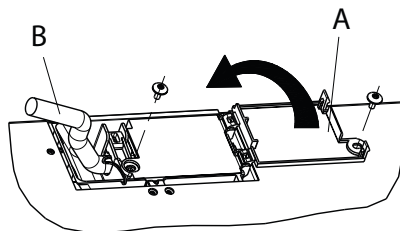
Napon naveden na pločici s podacima na dnu aparata mora biti jednak naponu mreže u stambenom objektu.

Propisi zahtijevaju da uređaj bude uzemljen: upotrebljavajte samo vodiče odgovarajuće veličine (uključujući uzemljeni vodič).

PRIKLJUČIVANJE NA BLOK S PRIKLJUČCIMA

Priključivanje na električnu mrežu izvedite kabelom H05RR-F ili H05V2V2-F kao što je navedeno u tablici u nastavku.

MREŽNI NAPON	VODIČI BROJ I VELIČINA
220-240V ~+ 	3 x 4 mm ²
230-240V ~+ 	3 x 4 mm ² (samo Australija)
220-240V 3~+ 	4 x 1,5 mm ²
380-415V 3N~+ 	5 x 1,5 mm ²
380-425V 2N~+ 	4 x 1,5 mm ²



Uređaj priključite na električno napajanje pomoću višepolnog prekidača za iskopčavanje s razmakom između kontakata najmanje 3 mm.

PAŽNJA: kabel za napajanje mora biti dovoljno dug kako bi omogućio da se ploča za kuhanje može ukloniti s radne površine i mora se postaviti tako da se izbjegne oštećenje ili pregrijavanje uzrokovano kontaktnom s postoljem.

NAPOMENA: žuto/zelena žica uzemljenja mora se priključiti na priključak sa simbolom  i mora biti dulja od ostalih žica.

- Uklonite pribl. 70 mm ovojnice kabela s kabela za napajanje (B).
- Ogulite pribl. 10 mm ovojnice sa žica. Zatim umetnite kabel za električno napajanje u kabelsku stezaljku i spojite žice na priključnicu kao što je navedeno na shematskom prikazu priključivanja u blizini priključnice.
- Kabel za napajanje (B) učvrstite pomoću kabelske stezaljke.
- Ploču priključka zatvorite pokrovom (A) kojeg trebate učvrstiti s isporučenim vijkom.
- Nakon električnog priključivanja, postavite štednjak s vrha i zakvačite ga na potporne opruge u skladu s crtežom.



ZAHVALJUJEMO VAM NA KUPOVINI PROIZVODA WHIRLPOOL
Kako bismo vam mogli pružiti potpuniju pomoć, registrirajte svoj uređaj na adresi www.whirlpool.eu/register.

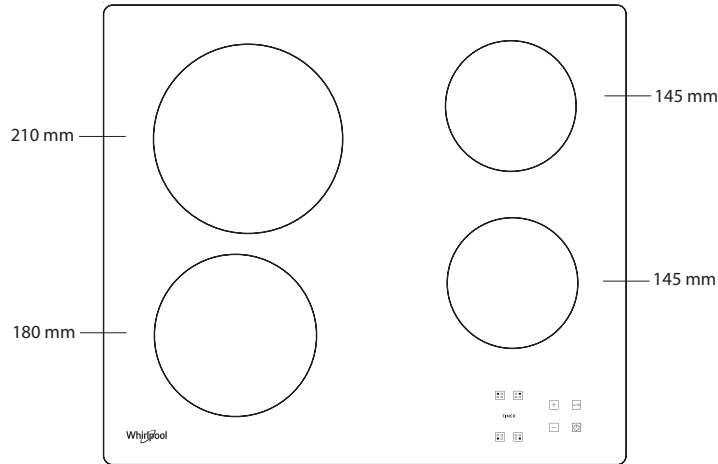


Pažljivo pročitajte sigurnosne upute prije upotrebe uređaja.

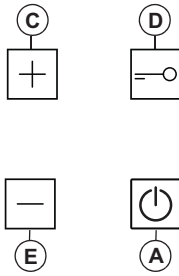
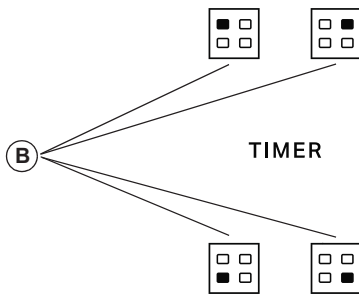
SKENIRAJTE QR KOD NA SVOM UREĐAJU DA BISTE DOBILI VIŠE INFORMACIJA



OPIS PROIZVODA



UPRAVLJAČKA PLOČA



- A** Uključivanje/isključivanje
- B** Odabir područja kuhanja i mjerača vremena
- C-E** Povećanje i smanjenje postavke topline
- D** Zaključavanje tipki

PRVA UPOTREBA

Nakon prvog postavljanja upravljačka ploča provodi funkcionalno ispitivanje u trajanju od oko 1 s nakon čega se automatski prebacuje na funkciju "Zaključavanje tipki".

Funkciju isključite tako da pritisnete i držite gumb "D"; oglasit će se zvučni

signal i isključiti odgovarajuće led svjetlo.

NAPOMENA: Ako dođe do ponovnog postavljanja, ponovite gore opisani postupak.

SVAKODNEVNA UPORABA



UKLJUČIVANJE/ISKLUČIVANJE PLOČE

Štednjak uključite tako da gumb "A" držite pritisnutim oko 2 sekunde. Na zaslonima 4 područja kuhanja prikazuje se "0". Ako se u roku od 20 sekundi ne uključi niti jedno područje kuhanja, štednjak se automatski isključuje iz sigurnosnih razloga.

UKLJUČIVANJE I PODEŠAVANJE ZONA ZA KUHANJE

Pritisnite jedan od gumba "B" koji odgovara području kuhanja koje namjeravate upotrebljavati. Odaberite traženu postavku topline pomoću gumba "E" ili "C". Ostale postavke kuhanja koje se mogu odabrati numerirane su od 1 do 9. Istovremeno pritisnite gumb "+" ili "-" kako biste poništili sve postavke.

VAŽNO: komanda se isključuje nakon 10 sekundi ako nije odabrana postavka topline. Promjenu topline promijenite tako da najprije ponovno pritisnete gumb za odabir "B", zatim nastavite s promjenom postavke pomoću gumba "E" ili "C".

TIMER

Funkciju mjerača vremena postavite tako da odaberete željeno područje kuhanja i postavku snagu, zatim ponovno pritisnete tipku područja kuhanja i na zaslonu područja kuhanja s mjeračem vremena prikazuje se svjetleća točka. Oznaka "00" treperi na 2 zaslonu. Pritisnite gumb "C" ili "E" za postavljanje vremena od 1 do 99.

VAŽNO: nakon 10 sekundi na zaslonu mjerača vremena prikazuje se postavka snage ostalih područja kuhanja.

Preostalo vrijeme kuhanja pogledajte tako da dva puta pritisnete tipku područja kuhanja s mjeračem vremena.

FUNKCIJA A

Ova funkcija omogućuje da se automatski smanji snaga zone za kuhanje od najveće vrijednosti (razina 9) do one koju korisnik odabere u kasnijoj fazi kuhanja. Da biste uključili ovu funkciju, prvo pritisnite gumb "+" kad se postigne razina 9. Na zaslonu naizmjenično trepere "A" i "9" slabijim svjetlom.

Tada odaberite željenu razinu snage (manje od 9) s pomoću gumba "-".

“A” i odabrana razina naizmjenično trepere slabijim svjetlom na zaslonu. Funkcija je uključena kad “A” i odabrana razina naizmjenično trepere slabijim svjetlom na zaslonu.

Kad “A” više nije vidljiv na zaslonu (funkcija “A” automatski se isključuje nakon nekoliko minuta ovisno o postavljenoj razini snage), postupak kuhanja nastavlja se slabijom snagom i na zaslonu se prikazuje samo odabrana razina snage.

NAPOMENA: ova funkcija nije moguća na razini 9.



ZAKLJUČAVANJE TIPKI

Funkcija Zaključavanje tipki uključuje se tako da se gumb “D” drži pritisnut sve dok ne zasvijetle točke iznad gumba funkcije. Na upravljačkoj ploči zaključavaju se sve funkcije osim funkcije za isključivanje. Funkcija ostaje uključena čak i nakon ponovnog isključivanja i uključivanja gumba i može se isključiti ponovnim pritiskom na gumb “D” sve dok se ne isključi funkcijskog gumba.

Kad je ploča za kuhanje isključena s pomoću zaključavanja tipki koja je uključena da bi isključila ploču za kuhanje, prvo isključite funkciju zaključavanja tipki tako da ponovno pritisnete gumb “D” sve dok se ne isključi točka iznad gumba funkcije.

Vodom, tekućinom prolivenom iz posude ili bilo kakvim predmetima na tipkama ispod simbola slučajno možete aktivirati ili deaktivirati funkciju zaključavanja tipki.



INDIKATOR PREOSTALE TOPLINE

Kada se područje kuhanja isključi, indikator preostale topline “H” ostaje isključen i treperi naizmjenično s “0” sve dok se temperatura štednjaka ne vrati unutar razina sigurnosti.

VAŽNO: Sigurnosne značajke štednjaka uključuju i funkciju automatskog isključivanja. Produljena upotreba iste postavke topline uključuje automatsko

isključivanja područja kuhanja (na primjer, nakon oko 1 sata rada na maksimalnoj postavci topline područje kuhanja isključuje se).

VAŽNO: Da bi se izbjeglo trajno oštećenje ploče za kuhanje:

- nemojte upotrebljavati lonce kojima dno nije potpuno ravno;
- nemojte upotrebljavati metalne lonce s emajliranim dnom;
- nemojte postavljati vruće lonce/tave na upravljačku ploču.

Ova je ploča opremljena i funkcijom “automatskog isključivanja” koja isključuje zonu za kuhanje ako nijedna izmjena razine snage nije napravljena nakon određenog vremenskog okvira ovisno o samoj postavci snage. U tablici je navedeno trajanje svake razine snage.

RAZINA SNAGE	VRIJEME AUTOMATSKOG ISKLJUČIVANJA
0	30 sekundi
1	10 sati
2	5 sati
3	5 sati
4	4 sata
5	3 sata
6	2 sata
7	2 sata
8	2 sata
9	1 sat

TABLICA KUHANJA

RAZINA SNAGE		VRSTA PRIPREME JELA	RAZINA UPOTREBE (označava iskustvo u kuhanju i navike)
Maksimalna snaga	9	Ključanje	Idealno za brzo povećanje temperature jela na brzo vrenje, predviđeno za vodu ili tekućine koje se brzo zagrijavaju.
	9 – 8	Prženje	Idealno za jače završno pečenje, početak kuhanja, prženje zamrznutih proizvoda, brzo zakuhavanje.
Visoka snaga	8 – 7	Završno pečenje – održavanje vrenja – pečenje na roštilju	Idealno za prženje, održavanje jakog ključanja, kuhanje i pečenje na roštilju (kratkotrajno, 5 – 10 minuta).
	7 – 6	Prženje – kuhanje – pečenje na roštilju	Idealno za održavanje laganog ključanja, kuhanje i pečenje na roštilju (srednje trajanje, 10 – 20 minuta), predgrijavanje i prženje.
Srednja snaga	6 – 5	Lagano prženje	Idealno za prženje jaja, omlete.
	5 – 4	Kuhanje – pirjanje – vrenje	Idealno za recepte s dugom pripremom (riža, umaci, pečenja, riba) s tekućinom (npr. voda, vino, temeljac, mlijeko), pripremu tjestenine s umakom.
	4 – 3	Zgušnjavanje – tjestenina s kremastim umakom	
Niska snaga	2 – 1	Održavanje hrane vrućom – kremasti rižoto	Idealno za održavanje netom kuhane hrane toplom (npr. umaka, juha, minestrone), kremasti rižoto i održavanje posluženih jela toplim.
Minimalna snaga	1	Odmrzavanje	Idealno za odmrzavanje malih proizvoda i lagano topljenje čokolade ili maslaca.
Nulta snaga	0	–	Ploča je u stanju mirovanja ili je isključena (moguća preostala toplina nakon kuhanja, označena slovom “H”).

ČIŠĆENJE I ODRŽAVANJE

 **Iskopčajte uređaj iz struje.**

- Ne upotrebljavajte pribor za parno čišćenje.
- Ne upotrebljavajte abrazivne spužve ili spužve za ribanje jer one mogu oštetiti staklo.
- Nakon svake upotrebe očistite ploču (kada se ohladi) kako biste uklonili ostatke i mrlje od ostataka hrane.
- Šećer ili hrana koja sadrži puno šećera može oštetiti ploču i mora se odmah ukloniti.

- Sol, šećer i pijesak mogli bi prouzročiti ogrebotine na staklenoj površini.
- Koristite meku krpu, kuhinjske ručnike koji upijaju tekućinu ili posebna sredstva za čišćenje ploča (u skladu s uputama proizvođača).
- Posude bi se mogle micati ili vibrirati zbog prollivene tekućine u zonama za kuhanje.
- Dobro osušite ploču nakon čišćenja.

RJEŠAVANJE PROBLEMA

Ako ploča za kuhanje ne radi pravilno, prije pozivanja postprodajnog servisa pogledajte vodič za otklanjanje poteškoća kako biste utvrdili problem.

- Pročitajte i pridržavajte se uputa navedenih u dijelu "Svakodnevna uporaba".
- Provjerite da napajanje nije isključeno.
- Dobro osušite ploču nakon čišćenja.
- Ako je odabrano područje kuhanja i na zaslonu se prikazalo "F" ili "ER" popraćeno brojkom, obratite se postprodajnoj službi i obavijestite ih.
- Ako je kod pogreške "F03", "ER03" ili "E02", pokušajte ga riješiti prateći ove upute:
 - Ako se pojavi pogreška "E02", provjerite da niste na dulje od 5 sekundi pritisnuli gumb, da na području sučelja uređaja nema predmeta i da je ono suho i čisto, a prilikom čišćenja pratite odlomak čišćenje i održavanje.
 - Ako se pojavi pogreška "F03", pokušajte ponovno isključiti i ponovno uključiti ploču za kuhanje.
 - Ako se pojavi pogreška "F04", obratite se postprodajnoj službi i recite im koji se kod prikazao.

- Ako štednjak ne radi nakon dulje, intenzivne upotrebe, unutarnja temperatura štednjaka je previsoka. Pričekajte nekoliko minuta da se štednjak ohladi.
- Ako grijač nije stalno uključen, već se ciklički uključuje i isključuje iako se ne mijenja razina snage na zaslonu ne mijenja, to je dio uobičajenog rada ploče za kuhanje. Ciklus uključivanja/isključivanja omogućuje regulaciju snage grijača i potpuno je uobičajen. U nekim slučajevima mogla bi se na određeno vrijeme isključiti toplinska zaštita da bi se izbjeglo oštećenje stakla. Takvi su slučajevi: dugotrajno kuhanje na visokoj razini snage, u loncu koji je manji od grijača i u loncu koji nema ravno dno.
- Ako ploča za kuhanje odašilje kratki zvuk, a da niste pritisnuli nijedan gumb, provjerite ima li prolivene tekućine na sučelju uređaja. Osušite sučelje uređaja i nastavite upotrebljavati ploču za kuhanje. Ako se ploča za kuhanje automatski isključila, to je možda prouzročila tekućina na sučelju uređaja. Osušite sučelje uređaja i ponovno uključite ploču za kuhanje.

Ako i nakon navedenih provjera kvar ostaje, obratite se najbližem postprodajnom servisu.

POSTPRODAJNI SERVIS

Kako bismo vam mogli pružiti potpuniju pomoć, registrirajte svoj uređaj na adresi www.whirlpool.eu/register.

PRIJE NEGO ŠTO KONTAKTIRATE POSTPRODAJNI SERVIS:

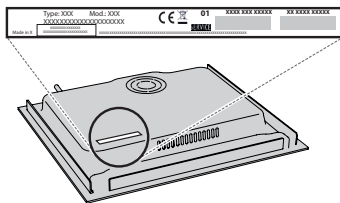
1. Pogledajte možete li sami riješiti problem uz pomoć prijedloga danih u **VODIČ ZA RJEŠAVANJE PROBLEMA**.
2. Isključite i ponovno uključite uređaj kako biste provjerili je li kvar uklonjen.

AKO SE I NAKON NAVEDENIH PROVJERA KVAR I DALJE JAVLJA, OBRATITE SE NAJBLIŽEM POSTPRODAJNOM SERVISU.

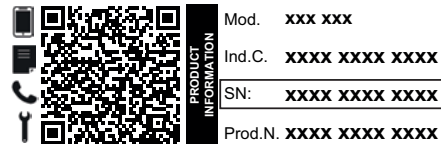
Za pomoć nazovite broj u knjižici jamstva ili slijedite upute na webmjestu www.whirlpool.eu.

Kada kontaktirate korisničku službu uvijek navedite:

- kratki opis kvara,
- vrstu i točan model uređaja;



- serijski broj (broj iza riječi SN na nazivnoj pločici na dnu uređaja). Serijski je broj naveden i u dokumentaciji;



- svoju punu adresu;
- svoj telefonski broj.

Ako je popravak potreban obratite se ovlaštenom Postprodajnom servisu (kako bi se jamčila uporaba originalnih rezervnih dijelova i ispravan popravak).

Pravila, standardne dokumente i dodatne informacije o proizvodu možete pronaći tako da:

- Upotrijebite QR kod na uređaju;
- Posjetite naše web-mjesto docs.whirlpool.eu;
- Možete i **kontaktirati naš postprodajni servis** (broj telefona potražite u knjižici jamstva). Kada se obraćate našem postprodajnom servisu navedite kodove navedene na identifikacijskoj pločici proizvoda.



BEZBEDNOSNA UPUTSTVA

VAŽNO JE DA SE PROČITAJU I POŠTUJU

Preuzmite kompletno korisničko uputstvo sa adrese <http://docs.whirlpool.eu> ili pozovite broj telefona koji se nalazi u garantnoj knjižici.

Pažljivo pročitajte ova bezbednosna uputstva pre upotrebe uređaja. Sačuvajte ih za buduću upotrebu. Ovaj priručnik i sam uređaj pružaju važna bezbednosna upozorenja koja morate pročitati i kojih se morate uvek pridržavati. Proizvođač se odriče svake odgovornosti u slučaju nepoštovanja ovih bezbednosnih uputstava, nepravilnog korišćenja uređaja ili nepravilno podešenih kontrola.

⚠ **UPOZORENJE:** Ukoliko je površina ploče za kuvanje naprsala, nemojte koristiti uređaj - postoji rizik od električnog udara.

⚠ **UPOZORENJE:** Opasnost od požara: ne skladištite stvari na površinama za kuvanje.

⚠ **OPREZ:** Proces kuvanja mora da se nadgleda. Kraći proces kuvanja mora neprekidno da se nadgleda.

⚠ **UPOZORENJE:** Kuvanje na ploči bez nadzora, kada se koristi mast ili ulje, može da bude opasno - postoji rizik od požara. NIKADA nemojte pokušavati da ugasisite požar vodom: umesto toga, isključite uređaj, a zatim pokrijte plamen poklopcem, na primer, ili vatrostalnim prekrivačem.

⚠ Nemojte da koristite ploču za kuvanje kao potporu ili radnu površinu. Krpe i druge zapaljive materijale držite dalje od uređaja dok se svi delovi potpuno ne ohlade - postoji rizik od požara.

⚠ Malu decu (do 3 godine) treba držati dalje od uređaja. Malu decu (3-8 godina) treba držati dalje od uređaja, osim ukoliko imaju konstantan nadzor. Deca starosti od 8 godina i više i osobe sa umanjanim fizičkim, čulnim ili mentalnim sposobnostima ili manjkom iskustva i znanja, mogu da koriste ovaj uređaj samo ako su pod nadzorom ili ako su im data uputstva za bezbedno korišćenje uređaja i ukoliko razumeju moguće rizike. Deca se ne smeju igrati sa uređajem. Čišćenje i održavanje ne smeju vršiti deca bez nadzora.

⚠ **UPOZORENJE:** Uređaj i njegovi dostupni delovi jako se zagrevaju u toku upotrebe. Pobrinite se da ne dođe do kontakta sa grejnim elementima. Decu mlađu od 8 godina treba uvek držati po strani, ukoliko nisu pod stalnim nadzorom.

DOZVOLJENA UPOTREBA

⚠ **OPREZ:** Uređaj nije predviđen da se njime upravlja spoljnim uređajem za uključivanje, kao što je tajmer, ili odvojenim sistemom za daljinsko upravljanje.

⚠ Ovaj uređaj je namenjen za upotrebu u domaćinstvu i takođe se može koristiti: u kuhinjama za osoblje u prodavnicama, kancelarijama i drugim radnim okruženjima; u seoskim gazdinstvima; od strane gostiju hotela, motela, prenočišta sa doručkom i drugih objekata za smeštaj gostiju.

⚠ Nijedna druga upotreba nije dozvoljena (npr. zagrevanje prostorija).

⚠ Ovaj uređaj nije namenjen za profesionalnu upotrebu. Ne koristite uređaj na otvorenom.

UGRADNJA

⚠ Ovim uređajem moraju rukovati i montirati ga dve ili više osoba - postoji rizik od povrede. Prilikom raspakivanja i ugradnje, koristite zaštitne rukavice - rizik od posekotina.

⚠ Ugradnju, uključujući dovod vode (ako postoji), električno povezivanje i popravke mora da obavi kvalifikovani tehničar. Ne popravljajte delove uređaja i ne menjajte ih ukoliko to nije izričito navedeno u uputstvu za upotrebu. Držite decu podalje od mesta ugradnje. Nakon otpakivanja uređaja, uverite se da nije došlo do oštećenja prilikom transporta. U slučaju da ima nekih problema, obratite se svom prodavcu ili najbližoj Postprodajnoj službi. Nakon ugradnje, otpadna ambalaža (plastični delovi, delovi od stiropora itd.) se mora čuvati van domašaja dece - rizik od gušenja. Pre ugradnje, uređaj se mora isključiti sa strujnog napajanja - postoji rizik od strujnog udara. Pazite da uređaj ne ošteti kabl za napajanje tokom ugradnje - postoji rizik od požara ili strujnog udara. Aktivirajte uređaj tek nakon što je postupak ugradnje završen.

⚠ Sva sečenja na vitrini obavite pre postavljanja uređaja u kućište i uklonite sve opiljke i strugotinu.

⚠ Ukoliko uređaj nije postavljen iznad rerne, pregradna ploča (koja nije uključena) se mora postaviti u odeljak ispod uređaja.

OPASNOST OD ELEKTRIČNOG UDARA

⚠ Mora biti omogućeno isključivanje uređaja sa napajanja izvlačenjem utikača iz utičnice, ukoliko joj se može pristupiti, ili putem dostupnog višepolnog prekidača postavljenog iznad utičnice u skladu sa pravilima ožičenja, a uređaj mora biti uzemljen, u skladu sa nacionalnim bezbednosnim standardima.

⚠ Ne koristite produžne kablove, višestruke utičnice ili adaptere. Nakon ugradnje električni delovi ne smeju da budu dostupni korisniku. Ne koristite uređaj kada ste mokri ili bos. Ne rukujte ovim uređajem ako mu je oštećen kabl za napajanje ili utikač, ako ne radi kako treba, ili ako je oštećen ili ste ga ispustili.

⚠ Instalacija pomoću utikača strujnog kabla nije dozvoljena, osim u slučaju da je proizvod već opremljen utikačem koji je obezbedio Proizvođač.

⚠ Ukoliko je kabl za napajanje oštećen, potrebno je da ga proizvođač, serviser ili druga kvalifikovana osoba zameni istim takvim kako bi se izbegla opasnost - postoji rizik od električnog udara.

ČIŠĆENJE I ODRŽAVANJE

⚠ **UPOZORENJE:** Pre obavljanja čišćenja ili održavanja, vodite računa da uređaj bude isključen i da ne bude priključen na strujno napajanje; nikada ne koristite opremu za čišćenje parom - postoji rizik od električnog udara.

⚠ Nemojte da koristite abrazivne ili korozivne proizvode, sredstva za čišćenje na bazi hlora ili mrežice za čišćenje posuđa.


ODLAGANJE AMBALAŽE

Materijal za pakovanje je moguće 100% reciklirati i označen je reciklažnim simbolom .

Razni delovi pakovanja se moraju odgovorno odlagati u skladu i potpuno sa lokalnim propisima o odlaganju otpada.

ODLAGANJE KUĆNIH UREĐAJA

Ovaj uređaj je proizveden od materijala koji se mogu reciklirati ili ponovo upotrebiti. Odložite ga u skladu s lokalnim propisima o odlaganju otpada. Za više informacija o tretmanu, ponovnom iskorišćavanju i reciklaži kućnih električnih uređaja obratite se nadležnom lokalnom organu vlasti, službi za sakupljanje komunalnog otpada ili prodavnici u kojoj ste kupili uređaj. Ovaj uređaj je označen u skladu sa Evropskom direktivom 2012/19/EU o električnoj i elektronskoj opremi (WEEE) i u skladu sa regulativama o električnoj i elektronskoj opremi 2013 (sa izmenama i dopunama). Ako pravilno odložite proizvod na otpad, pomoći ćete u sprečavanju potencijalnih negativnih posledica po životnu sredinu i zdravlje ljudi.

Simbol  na proizvodu ili na dokumentima koji prate proizvod pokazuje da se ovaj uređaj ne može tretirati kao otpad iz domaćinstva, već treba da se dostavi odgovarajućem centru za sakupljanje i recikliranje električne i elektronske opreme.

SAVETI ZA UŠTEDU ENERGIJE

Iskoristite maksimalno zaostalu toplotu koju proizvodi ringla, tako što ćete isključiti uređaj par minuta pre završetka kuvanja.

Osnova tiganja ili šerpe treba u potpunosti da prekrije ringlu; posuda koja je manje površine nego ringla će bespotrebno trošiti energiju.

Tiganje i šerpe prekrijte poklopcima prilikom kuvanja i koristite što manje vode. Priprema hrane u posudi bez poklopca će dovesti do pojačane potrošnje energije.

Koristite samo šerpe i tiganje sa ravnim dnom.

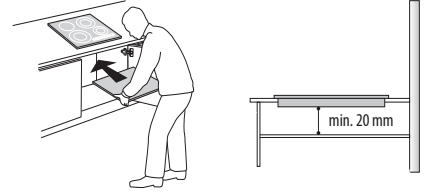
IZJAVA O USAGLAŠENOSTI

Ovaj uređaj ispunjava zahteve za Evropsku odredbu 66/2014 i propise za ekološki dizajn za proizvode u vezi sa energijom i energetske informacije (amandman) (izlazak iz EU) 2019, u skladu sa Evropskim standardom EN 60350-2.



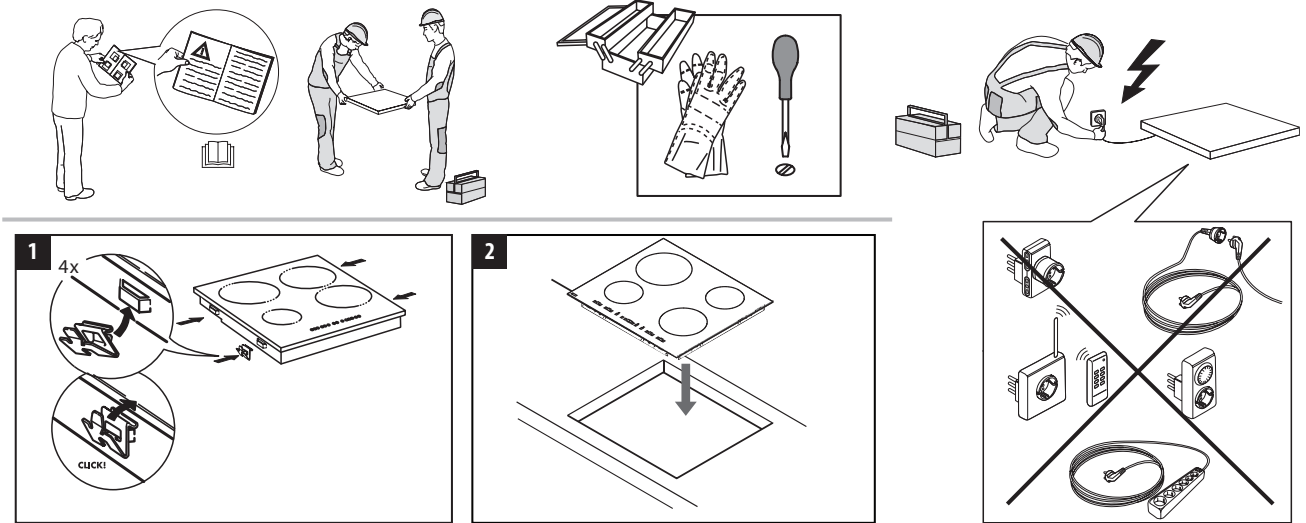
UGRADNJA

- Ploča za kuvanje mora da bude postavljena u radnu površinu na dubini od najmanje 20 mm.
- Između površine za kuvanje i rerne ne sme ništa da stoji (vođice, podupirači, itd.).
- Postarajte se da kabl za napajanje bude odgovarajuće dužine koja će omogućiti prikladnu instalaciju.
- Razdaljina između donje strane staklo-keramičke ploče za kuvanje ili kuhinjskog elementa ili razdvajajuće ploče mora da bude najmanje 20 mm.
- Za ugradne dimenzije i ugradnju pogledajte sliku u ovom pasusu.
- Minimalno rastojanje između ploče za kuvanje i aspiratora iznad nje se mora ispoštovati. Više informacija potražite u korisničkom uputstvu za aspirator.
- Dostavljenu zaptivku postavite na površinu za kuvanje (osim ako nije već postavljena), nakon što ste očistili površinu.
- **Površinu za kuvanje nemojte montirati pored mašine za pranje posuđa ili rublja da električna kola ne bi došla u kontakt sa parom ili vlagom što bi moglo da ih ošteti.**
- Ukoliko je rerna smeštena ispod površine za kuvanje, vodite računa da poseduje rashladni sistem. Ukoliko temperatura električnih kola premaši maksimalnu dozvoljenu temperaturu, površina za kuvanje će se odmah isključiti; u tom slučaju, sačekajte par minuta dok se unutrašnja temperatura električnih kola ne spusti na podnošljiv nivo, kada ćete ujedno moći opet da uključite ploču za kuvanje.

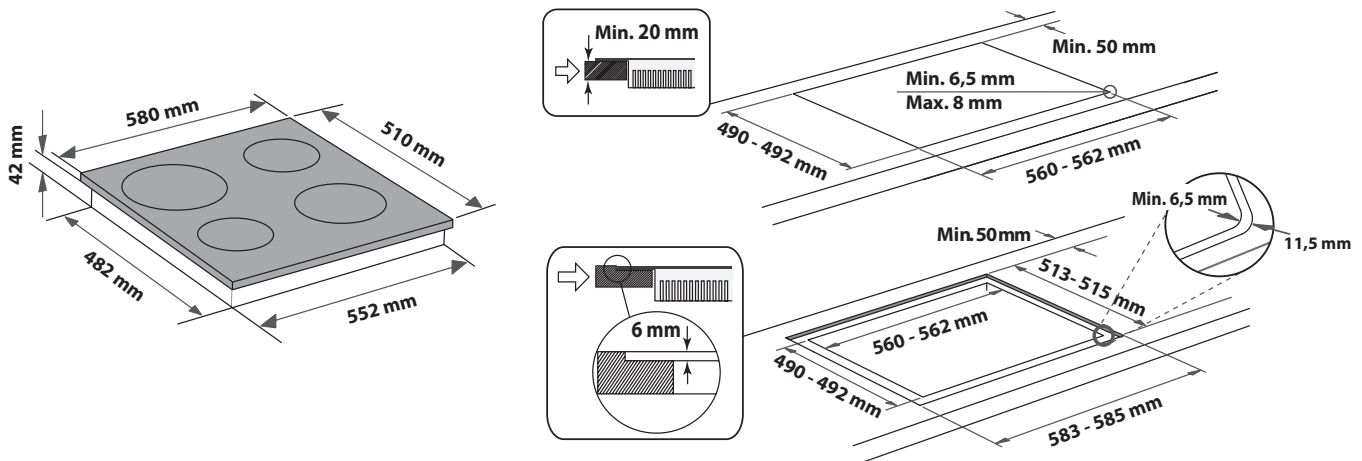
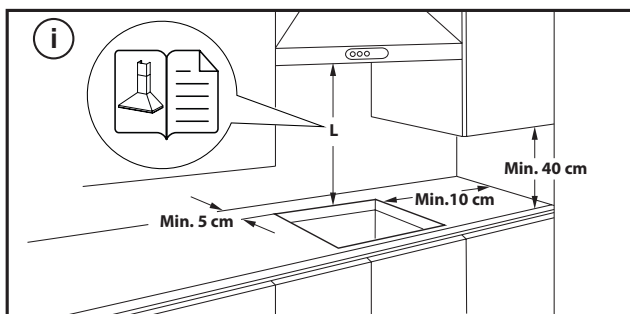


POSTAVLJANJE PLOČE ZA KUVANJE

Nakon priključivanja na električnu mrežu (pogledajte poglavlje "Priključivanje na električnu mrežu"), postavite svaki od pričvrstnih držača na namenska ležišta na bočnim stranama ploče za kuvanje, kao što je prikazano na slici. Zatim gurnite ploču za kuvanje unutar izreza i proverite da li je staklo ravno i paralelno sa radnom pločom. Pričvrstni držači su projektovani za svaku vrstu materijala radne ploče (drvo, mermer, itd).



DIMENZIJE I RAZMACI



UKLANJANJE PLOČE:

Da biste uklonili ploču, prvo je isključite iz električnog napajanja. Preporučuje se da obavezno oslobodite gornji deo od rene, fioke, pregradne ploče ili drugog elementa. To omogućava tehničaru da pristupi donjem delu ploče radi odvrtanja četiri žabice pomoću odvijača i da podigne ploču i skinje je bez oštećenja radne površine.

PRIKLJUČIVANJE NA ELEKTRIČNO NAPAJSANJE

Povezivanje električnih priključaka se mora izvršiti pre priključenja uređaja na električnu mrežu.

Kabl za napajanje se ne isporučuje uz proizvod – ne zaboravite da pripremite svoj kabl za napajanje.




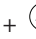
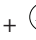
Montiranje mora da obavi kvalifikovano osoblje koje je upoznato sa aktuelnim propisima u vezi sa bezbednošću i montiranjem. Narocito, montiranje se mora izvršiti u skladu sa propisima lokalne kompanije za snabdevanje električnom energijom.

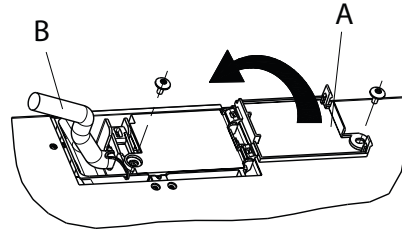
Uverite se da je napon koji je naveden na natpisnoj pločici na dnu aparata isti kao napon u kući.

Propisi nalažu da uređaj bude uzemljen: koristite isključivo provodnike (uključujući provodnik uzemljenja) odgovarajuće veličine.

POVEZIVANJE SA PRIKLJUČNIM BLOKOM


Za priključivanje na električnu mrežu koristite kabl H05RR-F ili H05V2V2-F, kao što je navedeno u tabeli koja sledi.

MREŽNI NAPON ZA NAPAJSANJE	PROVODNICI KOLICINA x VELICINA
220-240V ~+ 	3 x 4 mm ²
230-240V ~+ 	3 x 4 mm ² (samo za Australiju)
220-240V 3~+ 	4 x 1,5 mm ²
380-415V 3N~+ 	5 x 1,5 mm ²
380-425V 2N~+ 	4 x 1,5 mm ²



Uređaj mora biti priključen na električnu mrežu putem prekidača za odvajanje svih polova sa minimalnim kontaktnim zazorom od 3 mm.

PAŽNJA: kabl za napajanje treba da bude dovoljno dugačak kako bi površina za kuvanje mogla da se izvadi iz radne ploče, i treba da se postavi kako bi se izbeglo oštećenje ili pregrevanje do kog može da dođe prilikom kontakta sa osnovom.

NAPOMENA: žuti/zeleni provodnik uzemljenja mora da bude povezan sa kablovskom utičnicom sa simbolom  i mora da bude duži od ostalih žica.

- Uklonite otprilike 70 mm izolacionog omotača sa kabla napajanja (B).
- Skinite nekih 10 mm omotača sa žica. Potom umetnite kabl napajanja u klemu kabla i povežite žice sa priključnim blokom kao što je prikazano u dijagramu ožičenja koji se nalazi u blizini samog priključnog bloka.
- Osigurajte kabl napajanja (B) pomoću kleme kabla.
- Zatvorite priključni blok sa poklopcem (A) i pričvrstite ga zavrtnjima koje ste dobili.
- Nakon povezivanja električnih priključaka, postavite ploču sa kuvanje sa gornje strane i zakačite je na potporne opruge, prateći uputstva na slici.



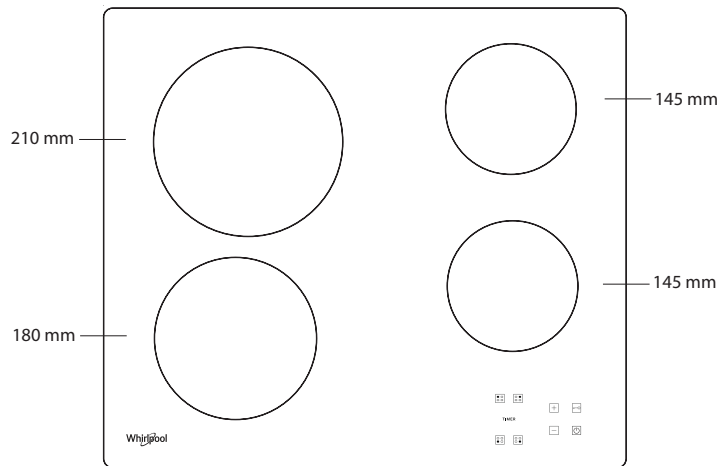
HVALA ŠTO STE KUPILI PROIZVOD KOMPANIJE WHIRLPOOL
Kako biste dobili potpuniju podršku, registrujte svoj proizvod putem www.whirlpool.eu/register.

SKENIRAJTE QR KÔD NA SVOM UREĐAJU DA BISTE DOBILI VIŠE INFORMACIJA

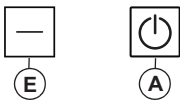
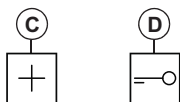
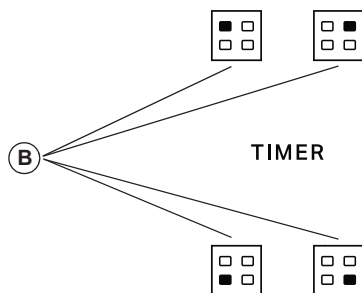


Pažljivo pročitajte bezbednosna uputstva pre upotrebe uređaja.

OPIS PROIZVODA



KONTROLNA TABLA



- A** Uključeno/isključeno
- B** Izbor zone za kuvanje i tajmera
- C-E** Povećavanje i smanjivanje temperature
- D** Zaključavanje dugmad

PRVA UPOTREBA

Nakon prve montaže, kontrolna tabla vrši funkcionalni test u trajanju od oko 1 sekunde, nakon čega se automatski prebacuje na funkciju "Zaključavanje dugmad".

Da biste deaktivirali ovu funkciju, pritisnite i držite dugme "D"; oglašiće se zvučni signal i isključiće se odgovarajuća LED lampica.

NAPOMENA: Ako dođe do resetovanja, ponovite gore opisan postupak.

SVAKODNEVNA UPOTREBA



UKLJUČIVANJE/ISKLJUČIVANJE PLOČE ZA KUVANJE

Da biste uključili ploču za kuvanje, držite dugme "A" pritisnuto približno 2 sekunde. Za sve 4 zone za kuvanje prikazano je "0". Ako se u roku od 20 sekundi ne aktivira nijedna zona za kuvanje, ploča za kuvanje se automatski isključuje kao bezbednosna mera opreza.

UKLJUČIVANJE I PODEŠAVANJE ZONA ZA KUVANJE

Pritisnite ono dugme "B" koje odgovara zoni za kuvanje koju želite da koristite. Izaberite željenu postavku temperature pomoću dugmadi "E" ili "C". Druge postavke kuvanja koje mogu da se izaberu idu od 1 do 9. Istovremeno pritisnite dugmad "+/-" da biste otkazali sve postavke.

VAŽNO: kontrola se isključuje 10 sekundi nakon odabira postavke temperature. Da biste promenili postavku temperature, prvo ponovo pritisnite dugme za izbor "B", a zatim nastavite sa promenom postavki pomoću dugmadi "E" ili "C".

TIMER

Da biste podesili funkciju Tajmer, izaberite željenu zonu za kuvanje i postavku snage, zatim ponovo pritisnite taster zone za kuvanje i svetla tačka će se pojaviti na displeju zone za kuvanje kontrolisane tajmerom. Indikator "00" treperi na 2 displeja. Pritisnite dugme "C" ili "E" da biste podesili vreme od 1 do 99.

VAŽNO: nakon 10 sekundi na displeju tajmera će biti prikazane postavke snage za druge zone za kuvanje.

Da biste videli preostalo vreme kuvanja, pritisnite taster zone za kuvanje kontrolisane tajmerom dva puta.

FUNKCIJA A

Ova funkcija omogućava automatsko smanjivanje nivoa snage zone za kuvanje od najviše vrednosti (nivo 9) do nivoa koji je izabrao korisnik za kasniju fazu kuvanja.

Da biste aktivirali ovu funkciju, prvo pritisnite dugme "+" kada se postigne nivo 9. Na displeju se prikazuje "A" i "9" naizmenično treperi na niskom nivou osvetljenosti.

Tada izaberite željeni nivo snage (niži od 9) pomoću dugmeta “-”. “A” i izabrani nivo naizmenično trepere na niskom nivou osvetljenosti na displeju. Funkcija je aktivirana kada “A” i izabrani nivo naizmenično trepere na visokom nivou osvetljenosti na displeju. Kada se “A” više ne vidi na displeju (funkcija “A” se isključuje automatski nakon nekoliko minuta u zavisnosti od podešenog nivoa snage), proces kuvanja se nastavlja na nižem nivou snage i na displeju se prikazuje samo izabrani nivo snage.

NAPOMENA: ova funkcija nije moguća na nivou 9.



ZAKLJUČAVANJE DUGMAD

Funkcija Zaključavanja dugmeta uključuje se kada držite pritisnuto dugme “D” dok se ne uključi tačka iznad dugmeta funkcije. Kontrolna tabla je zaključana, osim za funkciju isključivanja. Ova funkcija ostaje uključena čak i kada se ploča za kuvanje isključi, a zatim ponovo uključi, i može se deaktivirati ponovnim pritiskom na dugme “D” dok se tačka iznad dugmeta funkcije ne isključi.

Kada je ploča isključena i kada je zaključavanje dugmeta aktivirano, da biste uključili ploču, prvo deaktivirajte funkciju zaključavanja dugmeta tako što ćete ponovo pritisnuti dugme “D” dok se tačka iznad dugmeta funkcije ne isključi.

Prisustvo vode, tečnosti prosute iz šerpi ili drugih predmeta koji se nalaze na bilo kojoj komandi može slučajno da aktivira ili deaktivira zaključavanje dugmeta.



INDIKATOR TEMPERATURE

Kada se zona za kuvanje isključi, indikator temperature “H” ostaje uključen ili treperi smenjujući se sa oznakom “0” dok se temperatura ploče za kuvanje ne vrati na bezbedan nivo.

VAŽNO: Bezbednosne karakteristike ploče za kuvanje uključuju funkciju automatskog isključivanja. Dugotrajna primena iste postavke temperature

aktivira automatsko isključivanje zone za kuvanje (na primer, nakon približno 1 sat primene maksimalne postavke temperature, zona za kuvanje se isključuje).

VAŽNO: Da izbegnete stalno oštećenje ploče za kuvanje:

- nemojte koristiti šerpe sa dnom koje nije ravno;
- nemojte koristiti metalne lonce sa emajliranim dnom;
- nemojte stavljati vrele šerpe/tiganje preko kontrolne table.

Ploča takođe sadrži funkciju “automatskog isključivanja” koja isključuje zonu za kuvanje ako se ne izvrši izmena nivoa snage nakon određenog perioda u zavisnosti od samog podešavanja nivoa snage. U tabeli je navedeno trajanje svakog nivoa snage.

NIVO SNAGE	VREME AUTOMATSKOG ISKLJUČIVANJA
0	30 sekundi
1	10 sati
2	5 sati
3	5 sati
4	4 sata
5	3 sata
6	2 sata
7	2 sata
8	2 sata
9	1 sat

TABELA ZA KUVANJE

NIVO SNAGE		VRSTA KUVANJA	NIVO KORIŠĆENJA (ukazuje na iskustvo i navike u kuvanju)
Maksimalna snaga	9	Ključanje	Idealno za brzo povećavanje temperature hrane do brzog ključanja u slučaju vode ili brzo zagrevanje tečnosti za kuvanje.
	9 – 8	Prženje	Idealno za rumenjenje, početak kuvanja, prženje zamrznutih proizvoda, brzo ključanje.
Velika snaga	8 – 7	Rumenjenje – održavanje ključanja – grilovanje	Idealno za rumenjenje, održavanje ključanje, kuvanje i grilovanje (kratko trajanje, 5 do 10 minuta).
	7 – 6	Prženje – kuvanje – grilovanje	Idealno za održavanje krčkanja, kuvanje i grilovanje (srednje trajanje, 10 do 20 minuta), predzagrevanje i prženje.
Srednja snaga	6 – 5	Nežno prženje	Idealno za prženje jaja i omleta.
	5 – 4	Kuvanje – krčkanje – dinstanje	Idealno za dugotrajno kuvanje (pirinač, sosovi, meso, riba) sa tečnostima (npr. voda, vino, supa, mleko), kremasta pasta.
	4 – 3	Zgušnjavanje – kremasta pasta	
Mala snaga	2 – 1	Održavanje toplote hrane – kremasti rižoto	Idealno za održavanje tek pripremljene hrane toplom (npr. sosovi, supe, minestrome), kremasti rižoto i održavanje toplote jela koja se serviraju.
Minimalna snaga	1	Odmrzavanje	Idealno za odmrzavanje malih proizvoda i nežno topljenje čokolade ili putera.
Nema napajanja	0	—	Ploča u režimu mirovanja ili isključena (moguća rezidualna toplota nakon kuvanja označena slovom “H”).

ČIŠĆENJE I ODRŽAVANJE

⚠ Isključite uređaj sa električne mreže.

- Nemojte koristiti uređaje za čišćenje parom.
- Nemojte koristiti abrazivne sundere ili strugače, jer bi mogli da oštete staklo.
- Nakon svake upotrebe, očistite ploču za kuvanje (kada je hladna) da biste uklonili naslage i fleke od ostatka hrane.
- Šećer ili hrana sa velikom količinom šećera mogu da oštete ploču za kuvanje i moraju se odmah ukloniti.

- So, šećer i pesak mogu da izgriju staklenu površinu.
- Koristite mekanu krpu, upijajući ubrus ili posebno sredstvo za čišćenje ploče za kuvanje (pratite uputstva proizvođača).
- Prosipanja tečnosti u zonama za kuvanje mogu da izazovu pomeranje ili vibriranje šerpi.
- Dobro osušite ploču za kuvanje nakon čišćenja.

OTKLANJANJE PROBLEMA

Ukoliko ploča za kuvanje ne radi kako bi trebalo, pogledajte vodič za rešavanje problema pre nego što pozovete službu za korisnike.

- Pročitajte i pridržavajte se uputstava datih u odeljku "Svakodnevna upotreba".
- Proverite da li je prekinuto električno napajanje.
- Dobro osušite ploču za kuvanje nakon čišćenja.
- Ukoliko je zona za kuvanje odabrana, a na displeju se pojavi "F" ili "ER" praćeno brojem, obratite se postprodajnom servisu i obavestite ih.
- Ako je kôd greške "F03", "ER03" ili "E02", pokušajte da je otklonite prema ovim uputstvima:
 - Ako se prikaže greška "E02", pazite da ne pritisnete dugmad duže od 5 sekundi, da nema predmeta u oblasti HMI interfejsa i da je interfejs čist i suv. Prilikom čišćenja sledite uputstva iz odeljka Čišćenje i održavanje.
 - Ako se prikaže greška "F03", pokušajte da isključite i ponovo uključite ploču za kuvanje.
 - Ako se prikaže greška "F04", obratite se postprodajnom servisu i obavestite ih o prikazanom kôdu greške.

- Ukoliko ploča za kuvanje ne radi nakon intenzivne upotrebe, unutrašnja temperatura same ploče je previsoka. Sačekajte par minuta dok se ploča za kuvanje ne ohladi.
- Ako je grejač neprekidno uključen, ali se ciklično isključuje i uključuje čak i kada se nivo snage na displeju ne menja, to je deo normalnog funkcionisanja ploče. Ciklus uključivanja/isključivanja omogućava regulaciju snage grejača i sasvim je normalno. U nekim slučajevima, toplotna zaštita može da isključi grejač u određenom periodu da bi se izbeglo oštećenje stakla. Primeri takvih slučajeva su: dugo kuvanje na visokom nivou snage, upotreba šerpi koje su manje od grejnog elementa i korišćenje šerpi čije dno nije ravno.
- Ako ploča emituje kratak zvuk a da korisnik nije pritisnuo nijedno dugme, uklonite svu tečnost koja je prosuta na HMI interfejs. Osušite HMI interfejs i nastavite da koristite ploču. Ako je ploča isključena automatski, do toga je možda došlo usled prisustva tečnosti na HMI interfejsu. Osušite HMI interfejs i ponovo uključite ploču.

Ukoliko i posle navedenih provera kvar još uvek postoji, obratite se najbližem postprodajnom servisu.

POSTPRODAJNI SERVIS

U cilju dobijanja sveobuhvatne pomoći i podrške, registrujte proizvod na www.whirlpool.eu/register.

PRE NEGO ŠTO POZOVETE POSTPRODAJNI SERVIS:

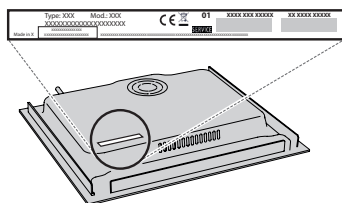
1. Proverite da li možete da rešite problem sami uz pomoć saveta datih u odeljku **OTKLANJANJE PROBLEMA**.
2. Uključite pa isključite uređaj i proverite da li je kvar i dalje prisutan.

UKOLIKO I NAKON GORENAVEDENIH PROVERA KVAR I DALJE POSTOJI, OBRATITE SE NAJBLIŽEM POSTPRODAJNOM SERVISU.

Za dobijanje podrške, pozovite broj prikazan na garantnoj knjižici, ili sledite instrukcije na veb stranici www.whirlpool.eu.

Prilikom kontaktiranja našeg postprodajnog servisa za kupce potrebno je da navedete:

- kratak opis kvara;
- tip i tačan model uređaja;



- serijski broj (broj iza reči SN na pločici sa podacima koja se nalazi ispod uređaja). Serijski broj je takođe naveden u dokumentaciji;



- svoju punu adresu;
- svoj broj telefona.

Ukoliko su potrebne bilo kakve popravke, obratite se ovlašćenom postprodajnom servisu (kako biste bili sigurni da će se koristiti originalni rezervni delovi i da će popravke biti izvedene na pravi način).

Smernice, standardna dokumentacija i dodatne informacije o proizvodu se mogu naći:

- Pomoću QR koda na uređaju;
- Na našem veb-sajtu docs.whirlpool.eu;
- Takođe, možete **kontaktirati naš postprodajni servis** (broj se nalazi u garantnoj knjižici). Prilikom kontaktiranja našeg postprodajnog servisa, navedite šifru koja se nalazi na pločici za identifikaciju proizvoda.



Töltse le a teljes útmutatót a <http://docs.whirlpool.eu> honlapról, vagy hívja fel a garancia füzetben megtalálható telefonszámot.

A készülék használata előtt olvassa el az alábbi biztonsági útmutatót. Őrizze meg a későbbi felhasználás érdekében. A kézikönyvben és a készüléken található fontos biztonsági figyelmeztetéseket mindig olvassa el és tartsa be. A gyártó nem vállal felelősséget a biztonsági utasítások figyelmen kívül hagyásából, a készülék nem rendeltetésszerű használatából vagy a készülék kezelőszerveinek helytelen beállításából eredő károkért.

⚠ FIGYELEM: Ha a főzőlap felülete megrepedt, ne használja a készüléket - fennáll az áramütés veszélye.

⚠ FIGYELEM: Tűzveszély: Ne tároljon semmilyen tárgyat a főzőfelületeken.

⚠ VIGYÁZAT! A főzési folyamat során ne hagyja a készüléket hosszabb időre felügyelet nélkül! Rövid főzési folyamat során a készülék folyamatos felügyelete szükséges.

⚠ FIGYELEM: Ha felügyelet nélkül zsírral vagy olajjal főz a főzőlapon, az veszélyes lehet, és tüzet okozhat. SOHA ne próbálja a tüzet vízzel eloltani, hanem kapcsolja ki a készüléket, és takarja le a lángokat egy fedővel vagy tűzálló pokróccal.

⚠ Ne használja a főzőlapot munkafelületként vagy tartófelületként. Tűzbiztonsági okokból ne hagyjon konyharuhát vagy más gyúlékony tárgyat a készülék közelében, amíg annak minden része teljesen ki nem hűl.

⚠ Kisgyermeket (0–3 év között) ne engedjen a készülék közelébe. Gyermekek (3–8 év között) kizárólag felnőtt felügyelete mellett tartózkodhatnak a készülék közelében. A 8 éves vagy idősebb gyermekek, továbbá csökkent fizikai, érzékszervi vagy mentális képességekkel élő, illetve kellő tapasztalattal és a készülékre vonatkozó ismeretekkel nem rendelkező személyek csak felügyelet mellett használhatják a készüléket, továbbá ha előzőleg ellátták őket útmutatásokkal a készülék használatára vonatkozóan, és ismerik a használatból eredő esetleges kockázatokat. Ne engedje, hogy gyermekek játsszanak a készülékkel. Gyermekek nem végezhetik a készülék tisztítását és karbantartását felügyelet nélkül.

⚠ FIGYELEM: A készülék és annak hozzáférhető részei használat közben felforrósodnak. Ügyeljen arra, hogy ne érjen a fűtőelemekhez. A 8 évesnél fiatalabb gyermekeket távol kell tartani a készüléktől, hacsak nincsenek folyamatos felügyelet alatt.

RENDELTETÉSSZERŰ HASZNÁLAT

⚠ VIGYÁZAT! Kialakításából adódóan a készülék működtetése nem lehetséges külső időzítő szerkezettel vagy külön távirányítóval.

⚠ Ezt a készüléket háztartási, illetve ahhoz hasonló célokra tervezték, mint például: üzletekben, irodákban lévő és egyéb munkahelyi konyhákban; tanyán; szállodák, motelek, reggelit és szobát kínáló és egyéb szálláshelyek vendégei számára.

⚠ Minden más felhasználása tilos (pl. helyiségek fűtése).

⚠ A készülék nem nagyüzemi használatra való. Ne használja a készüléket a szabadban.

ÜZEMBE HELYEZÉS

⚠ A készülék mozgatását és üzembe helyezését a sérülésveszély csökkentése érdekében két vagy több személy végezze. Viseljen védőkesztyűt a készülék kicsomagolása és üzembe helyezése során, nehogy megvágja magát.

⚠ A készülék üzembe helyezését és javítását, a vízbekötést (ha van) és az elektromos csatlakoztatást is beleértve, kizárólag képzett szakember végezheti. Ne javítsa meg, illetve ne cserélje ki a készülék semmilyen alkatrészét, ha az adott művelet nem szerepel kifejezetten a felhasználói kézikönyvben. Ne engedje a gyermekeket abba a helyiségbe, ahol az üzembe helyezést végzi. A kicsomagolás után ellenőrizze, hogy a készülék sérült-e a szállítás során. Probléma esetén vegye fel a kapcsolatot a kereskedővel vagy a legközelebbi vevőszolgálattal. Üzembe helyezés után a csomagolóanyagokat (műanyag, habzivacs stb.) az esetleges fulladásveszély miatt olyan helyen tárolja, vagy úgy dobja ki, hogy a gyermekek ne férhessenek hozzá. Az áramütés elkerülése érdekében az üzembe helyezési műveletek előtt húzza ki a készülék hálózati csatlakozóját. Az áramütés és a tűzveszély elkerülése érdekében az üzembe helyezés során győződjön meg arról, hogy a készülék miatt nem sérül-e a hálózati tápkábel. A készüléket csak a megfelelő üzembe helyezést követően kapcsolja be. ⚠ A készülék beszerelése előtt végezzen el minden asztalosmunkát a bútoron, és távolítsa el minden faforgácsot és fűrészport.

⚠ Ha a készüléket nem sütő fölé szerelik be, egy elválasztó lapot (nem tartozék) kell a készülék alatti rekeszbe beszerelni.

ELEKTROMOS ÁRAMMAL KAPCSOLATOS FIGYELMEZTETÉSEK

⚠ Fontos, hogy a készüléket le lehessen választani az elektromos hálózatról a villásdugó kihúzásával vagy az aljzat és a készülék közé szerelt, többpólusú megszakítóval, illetve kötelező a készüléket a biztonsági előírásoknak megfelelően földelni.

⚠ Ne használjon hosszabbítót, elosztót vagy adaptert. Beszerelés után az elektromos alkatrészeknek hozzáférhetetlennek kell lenniük a felhasználó számára. Ne használja a készüléket meztláb, és ne nyúljon hozzá nedves kézzel. Ne használja a készüléket, ha a tápkábel vagy a csatlakozódugó sérült, illetve ha a készülék nem működik megfelelően, megsérült vagy leejtették.

⚠ A beszereléshez csak akkor használható tápkábel-csatlakozó, ha a készülék rendelkezik a gyártó által felszerelt csatlakozóval.


⚠ Ha a hálózati kábel megsérül, az áramütés kockázatának elkerülése érdekében a gyártóval, annak szervizképviselőjével vagy egy hasonlóan képzett szakemberrel kell egy ugyanolyan kábelre kicseréltetni.

TISZTÍTÁS ÉS KARBANTARTÁS

⚠ FIGYELEM: Bármilyen karbantartási művelet előtt győződjön meg arról, hogy a készüléket kikapcsolta és kihúzta a konnektorból. Az áramütés elkerülése érdekében soha ne használjon gőznyomással működő tisztítókészüléket.

⚠ Ne használjon súroló- vagy korrozív szereket, klóros tisztítószereket vagy dörzsszivacsot.

A CSOMAGOLÓANYAGOK ÁRTALMATLANÍTÁSA


A csomagolóanyag 100%-ban újrahasznosítható, és el van látva az újrahasznosítás jelével .

A csomagolás különféle részeinek hulladékkezelését felelősségteljesen és a hulladékok elhelyezését szabályozó helyi rendelkezésekkel teljes összhangban végezze.

A HÁZTARTÁSI GÉPEK HULLADÉKKÉNT TÖRTÉNŐ ELHELYEZÉSE

Ez a készülék újrahasznosítható vagy újrafelhasználható anyagok felhasználásával készült. Leselejtezésekor a helyi hulladékkezelési szabályokkal összhangban járjon el. Az elektromos háztartási készülékek kezelésére, hasznosítására és újrafeldolgozására vonatkozó további információkért forduljon az illetékes helyi hatósághoz, a háztartási hulladékok begyűjtését végző vállalathoz vagy az üzlethez, ahol a készüléket vásárolta. Ez a berendezés az elektromos és elektronikus berendezések hulladékairól szóló 2012/19/EU irányelvnek, illetve az elektromos és elektronikus berendezések hulladékairól szóló 2013. évi (módosított) előírásoknak megfelelően került megjelölésre.

A hulladékká vált termék szabályszerű elhelyezésével Ön segít elkerülni a környezettel és az emberi egészséggel kapcsolatos negatív következményeket.

A terméken vagy a kísérő dokumentumokon található  jel azt jelzi, hogy a készüléket nem szabad háztartási hulladékként kezelni, hanem az elektromos és elektronikai készülékeknek megfelelő gyűjtőhelyen kell leadni.

ENERGIATAKARÉKOSÁGI TANÁCSOK

A forró főzőlap maradék hőjének maximális kihasználása érdekében néhány perccel a főzés befejezése előtt kapcsolja ki a készüléket.

Az edény vagy serpenyő alja teljesen takarja a főzőlapot, a főzőlapnál kisebb edénnyel energiát pazarol.

A főzés során fedje le az edényeket és serpenyőket szorosan illeszkedő fedővel, és minél kevesebb vizet használjon. A fedő nélküli főzés nagymértékben növeli az energiafogyasztást.

Csak lapos fenekű edényeket és serpenyőket használjon.

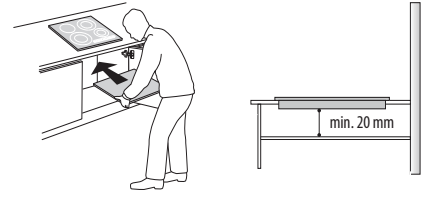
MEGFELELŐSÉGI NYILATKOZAT

A környezettudatos tervezésre vonatkozó 66/2014/EU rendelet irányelveinek, valamint a környezettudatos tervezésre és energiacímkezésre vonatkozó (módosított) (EU Exit) 2019-es rendelet irányelveinek, az EN 60350-2 európai szabvánnyal összhangban.



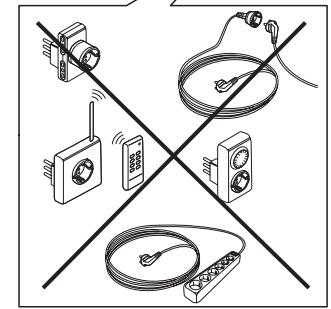
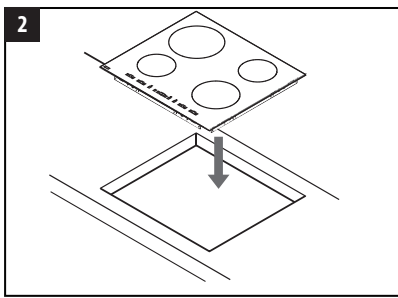
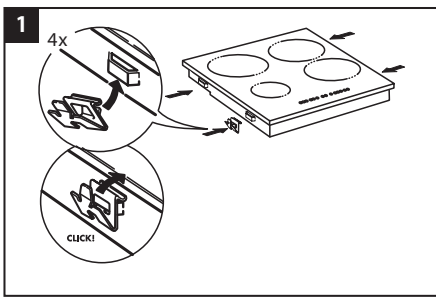
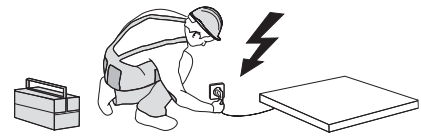
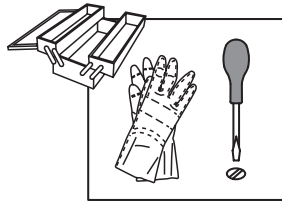
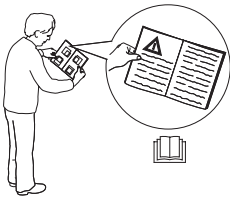
ÜZEMBE HELYEZÉS

- A főzőlapot legalább 20 mm mélyen kell a munkalapba helyezni.
- Ne szereljen semmit (keresztsínt, konzolt stb.) a főzőlap és a sütő közé.
- Ellenőrizze, hogy a tápkábel kellően hosszú-e a kényelmes beszereléshez.
- Az üvegkerámia főzőlap alja és a konyhaszekrény, illetve a válaszlap között legalább 20 mm távolságot kell hagyni.
- A beépítési méretekhez és a beszereléshez lásd az itt található ábrát.
- A főzőlap és a felette lévő elszívó között adott minimális távolságot kell hagyni. További információért lásd az elszívó használati útmutatóját.
- A főzőlap felületének megtisztítása után helyezze fel a csomagban található tömitést (ha még nincs felhelyezve).
- **Ne szerelje a főzőlapot mosogatógép vagy mosógép közelébe: ellenkező esetben az elektromos áramköröket gőz vagy nedvesség érheti, ami károsíthatja azokat.**
- Ha a főzőlap alá sütő kerül, ügyeljen arra, hogy a sütő rendelkezzen hűtőrendszerrel. Ha az elektromos áramkörök hőmérséklete meghaladja a megengedett maximális értéket, a főzőlap automatikusan kikapcsol. Ilyen esetben várjon néhány percet, amíg az elektromos áramkörök belső hőmérséklete megfelelően lecsökken. Ekkor a főzőlap ismét bekapcsolható.

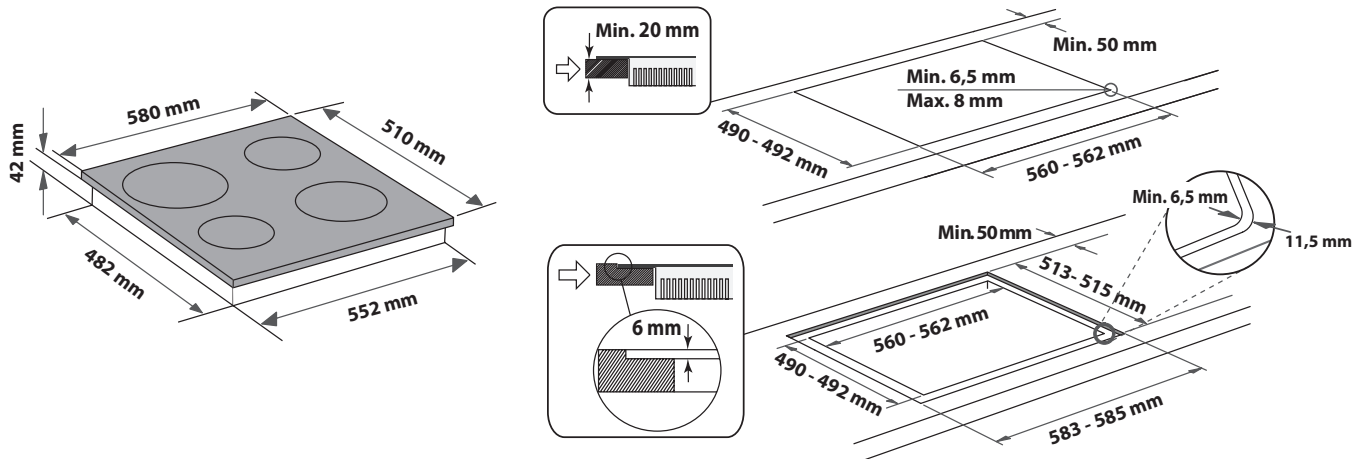
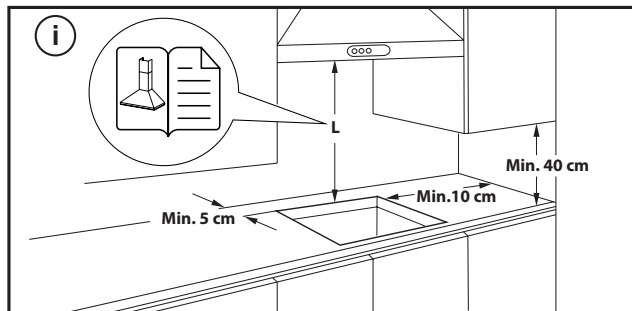


A FŐZŐLAP ELHELYEZÉSE

Az elektromos bekötés után (lásd az "Elektromos csatlakoztatás" részt) helyezze a rögzítőkapcsokat az erre szolgáló nyílásokba, amelyek a főzőlap oldalán találhatóak – lásd az ábrát. Ezután nyomja a főzőlapot a kivágásba, és ellenőrizze, hogy az üveg vízszintesen, a munkalappal egy síkban áll-e. A rögzítőkapcsok bármilyen anyagú (fa, márvány stb.) munkalaphoz használhatók.



BETARTANDÓ MÉRETEK ÉS TÁVOLSÁGOK



A FŐZŐLAP KISZERELÉSE:

A főzőlap kiszerelése előtt válassza le azt az elektromos hálózatról. Mindenképpen javasoljuk, hogy válassza le az alsó részt a sütőről, fiókról, elválasztó elemről stb. Így a szerelő hozzáférhet a főzőlap alsó részéhez: a négy kapocs csavarhúzóval történő kioldása után emelje meg és vegye ki a főzőlapot – a munkalap így nem károsodik.

ELEKTROMOS CSATLAKOZTATÁS

Az elektromos csatlakoztatást azelőtt kell elvégezni, hogy a készüléket a hálózatra csatlakoztatná.

A tápkábel nem része a csomagnak – ne feledje, hogy ezt Önnek kell biztosítania.




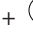
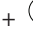
A készüléket olyan szakembernek kell beszerelnie, aki ismeri az érvényben lévő biztonsági és üzembe helyezési előírásokat. A beszerelést a helyi villamosenergia-ellátó előírásai szerint kell elvégezni.

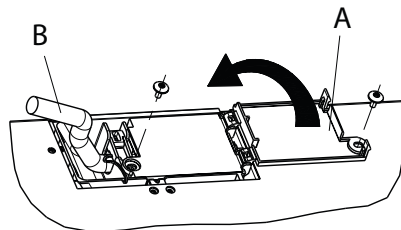
Győződjön meg arról, hogy a készülék alján található adatlapon megadott feszültség megegyezik a lakásban elérhető hálózati feszültséggel.

Az előírások szerint a készüléket földelni kell: kizárólag megfelelő méretű vezetékeket használjon (a földkábelt is beleértve).

CSATLAKOZTATÁS A SORKAPOCSHOZ


Az elektromos bekötéshez használja az alábbi táblázat szerinti H05RR-F típusú vezetéket.

TÁPFESZÜLTÉG	VEZETÉKEK (SZÁM x MÉRET)
220-240V ~ + 	3 x 4 mm ²
230-240V ~ + 	3 x 4 mm ² (csak Ausztrália)
220-240V 3~ + 	4 x 1,5 mm ²
380-415V 3N~ + 	5 x 1,5 mm ²
380-425V 2N~ + 	4 x 1,5 mm ²



A készülék elektromos hálózatra kötését olyan összpólusú megszakító kapcsolóval végezze, amelynél az érintkezők közötti távolság legalább 3 mm.

FIGYELEM: a tápkábelnek olyan hosszúnak kell lennie, hogy a főzőlapot ki lehessen emelni a munkalapról, és úgy kell elhelyezni, hogy ne érjen a készülék aljához, mivel az károsíthatja vagy a túlmelegedését okozhatja.

MEGJEGYZÉS: a sárga-zöld földkábelenk a többi vezetéknél hosszabbnak kell lennie, és a  szimbólummal ellátott csatlakozóhoz kell csatlakoztatni.

- Távolítsa el a tápkábel (B) szigetelését egy kb. 70 mm hosszú szakaszon.
- Végezze el a vezetékek csupaszítását kb. 10 mm hosszú szakaszon. Ezután illessze a tápkábelt a kábelsaruba, és csatlakoztassa a vezetékeket a sorkapocshoz a mellette található bekötési ábra szerint.
- Rögzítse a tápkábelt (B) a kábelsaruba.
- Helyezze vissza a fedelet (A) a sorkapocsra, és rögzítse a mellékelt csavarral.
- Az elektromos csatlakoztatás után illessze be felülről a tűzhelylapot, és akassza a rögzítőrugókba.

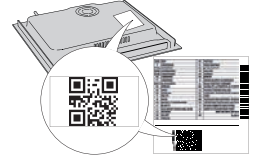
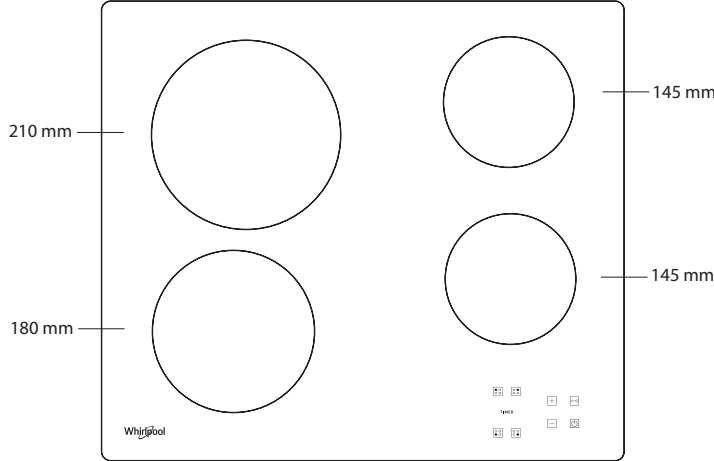
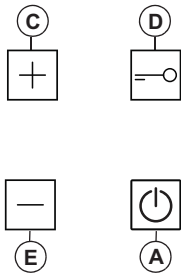
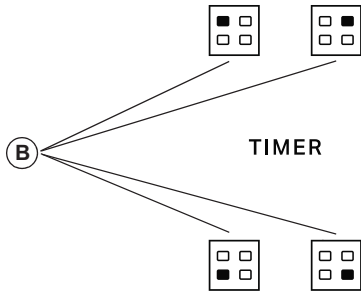
**KÖSZÖNJÜK, HOGY A WHIRLPOOL TERMÉKÉT VÁLASZTOTTA**

Teljes körű szolgáltatásaink eléréséhez, kérjük, regisztrálja termékét honlapunkon: www.whirlpool.eu/register.



A készülék használata előtt olvassa el figyelmesen a Biztonsági útmutatót.

A TOVÁBBI INFORMÁCIÓK ELÉRÉSÉHEZ OLVASSA BE A KÉSZÜLÉKEN TALÁLHATÓ QR-KÓDOT

**TERMÉKLEÍRÁS****KEZELŐPANEL**

- A** Bekapcsolás/Kikapcsolás
- B** A főzési zónák kiválasztása és az időzítő
- C-E** A teljesítményszint növelése és csökkentése
- D** Gombzár

ELSŐ HASZNÁLAT

Az első üzembe helyezéskor a kezelőlap kb. 1 másodperces működésellenőrzést végez, majd a készülék automatikusan a "Gombzár" funkcióba állítja magát. A funkció kiiktatásához tartsa lenyomva a "D" gombot, mire a készülék

hangjelzést ad és kialszik az adott jelzőlámpa.

MEGJEGYZÉS: Reset esetén ismétlje meg a leírt eljárást.

NAPI HASZNÁLAT**A FŐZŐLAP BE- ÉS KIKAPCSOLÁSA**

A főzőlap bekapcsolásához tartsa lenyomva az "A" gombot kb. 2 másodpercig. A 4 főzőterület kijelzőjén a "0" felirat látható. Ha 20 másodpercen belül nincs aktiválva valamelyik főzőterület, akkor a főzőlap biztonsági okokból automatikusan kikapcsol.

FŐZÉSI ZÓNÁK KIVÁLASZTÁSA ÉS BEÁLLÍTÁSA

Nyomja meg a használni kívánt főzési zónához tartozó "B" gombok valamelyikét. Válassza ki a kívánt hőmérsékletbeállítást a "E" vagy "C" gomb megnyomásával. A hőmérsékletbeállítások 1-től 9-ig terjednek. A "+/-" gombok egyidejű lenyomásakor a kiválasztás törlődik.

FONTOS: A vezérlés 10 másodperccel azután kikapcsol, hogy megtörtént a hőbeállítás kiválasztása.

A teljesítmény módosításához ismét nyomja meg a "B" választógombot, majd a "E" vagy "C" gomb lenyomásával módosítsa a teljesítményt.

TIMER

A Timer funkció beprogramozásához válassza ki a kívánt főzőzónát, és jelölje meg a teljesítményszintet, majd nyomja meg ismét a főzőzóna gombját, és ekkor világítani kezd egy jelzőpont a beprogramozandó zóna kijelzőjén. A 2 kijelzőn villogó "00" jelenik meg a "E" vagy "C" gombokkal állítsa be az időt 1 és 99 között.

FONTOS: 10 másodperc múlva a timer kijelzőin megjelenik a többi főzőzóna teljesítményfokozata.

A beprogramozott főzőzóna kétszeri megnyomásával megjeleníthető a hátralevő időtartam.

"A" FUNKCIÓ

Ezzel a funkcióval automatikusan csökkenthető a főzőzóna teljesítményszintje a legmagasabb szintről (9-es fokozat) a felhasználó által a főzés későbbi szakaszához kiválasztott fokozatra.

A funkció bekapcsolásához nyomja meg a "+" gombot a 9-es fokozat elérésekor. A kijelzőn alacsony fényerővel felváltva villog az "A" és a "9" érték.

Válassza ki a kívánt (9-esnél alacsonyabb) teljesítményszintet a "-" gombbal.

A kijelzőn az "A" és a kiválasztott fokozat felváltva villog alacsony fényerővel. A funkció be van kapcsolva, ha a kijelzőn az "A" és a kiválasztott fokozat felváltva villog magas fényerővel. Ha az "A" érték már nem látható a kijelzőn (az "A" funkció néhány perc elteltével automatikusan kikapcsol, a beállított teljesítményszinttől függően), a főzés alacsonyabb fokozaton folytatódik, és a kijelzőn csak a kiválasztott fokozat látható. **MEGJEGYZÉS:** ez a funkció nem használható a 9-es fokozattal.



GOMBZÁR

A Gombzár funkció bekapcsolásához addig kell lenyomva tartani az "D" gombot, amíg meg nem jelenik egy világító pont a funkciógomb fölött. A kikapcsolás funkció kivételével a kezelőpanel le van zárva. A funkció akkor is bekapcsolva marad, ha a főzőlapot ki- és bekapcsolja. A funkció inaktíválásához nyomja meg ismét a "D" gombot, amíg a funkció gombja feletti világító pont ki nem alszik. Ha a főzőlap ki van kapcsolva és a kezelőpanel le van zárva, a főzőlap bekapcsolásához először kapcsolja ki a gombzár: ehhez nyomja a "D" gombot addig, amíg a funkció feletti pont el nem tűnik.

Az edényekből kifröccsenő víz vagy egyéb folyadék, valamint a vezérlőgombokra helyezett tárgyak miatt be- és kikapcsolódhat a gombzár.

H MARADÉKHŐKIJELZŐ

A főzőterület kikapcsolása után a "H" jelzés továbbra is világít, vagy a "0" felirattal váltakozva villog mindaddig, amíg a főzőterület hőmérséklete elfogadható biztonságszint alá nem süllyed.

FONTOS: Biztonsági okokból a tűzhelylap automatikus lekapcsolási funkcióval van ellátva. Az ugyanazon hőmérsékletbeállítás melletti hosszan tartó használat kiváltja a főzőterület automatikus lekapcsolását (például, maximális hőmérsékletbeállítás mellett kb. 1 óra elteltével a főzőterület lekapcsol).

FONTOS A főzőlap maradandó károsodásának elkerülése érdekében:

- ne használjon nem sík aljú edényeket;
- ne használjon zománczott aljú fémedényeket;
- ne helyezzen forró edényt a kezelőpanelre.

A főzőlap "automatikus kikapcsolás" funkcióval rendelkezik: ez automatikusan kikapcsolja a főzőzónát, ha adott időn belül nem módosították a teljesítményszintet, a fokozatbeállítástól függően. A táblázatban látható az egyes fokozatokhoz tartozó időtartam.

TELJESÍTMÉNSZINT	AUTOMATIKUS KIKAPCSOLÁSI IDŐ
0	30 másodperc
1	10 óra
2	5 óra
3	5 óra
4	4 óra
5	3 óra
6	2 óra
7	2 óra
8	2 óra
9	1 óra

FŐZÉSI TÁBLÁZAT

TELJESÍTMÉNSZINT		FŐZÉS TÍPUSA	HASZNÁLÓI SZINT (az ételkészítési tapasztalatok és szokások jelzése)
Maximális teljesítmény	9	Forralás	Ideális az étel hőmérsékletének forralásig történő gyors emeléséhez, víz vagy a főzés során gyorsan melegíthető folyadékok esetén.
	9 – 8	Pirítás	Ideális pirításhoz, az ételkészítés megkezdéséhez, gyorsfagyasztott termékek sütéséhez, gyors forraláshoz.
Nagy teljesítmény	8 – 7	Pirítás – forrásban tartás – grillezés	Ideális pirításhoz, erős forrásban tartáshoz, főzéshez és grillezéshez (rövid, 5-10 perc időtartam).
	7 – 6	Sütés – főzés – grillezés	Ideális gyenge forrásban tartáshoz, főzéshez és grillezéshez (közepes, 10-20 perc időtartam), előmelegítéshez és sütéshez.
Közepes teljesítmény	6 – 5	Alacsony hőfokon sütés	Ideális tojássütéshez, omlettkészítéshez.
	5 – 4	Főzés – gyöngyöztetés – párolás	Ideális hosszan tartó főzésekhez (rizs, szószok, sülték, hal) folyadékokkal (pl. víz, bor, húslé, tej), tészta elkeveréséhez.
	4 – 3	Sűrítés – tészta elkeverése	
Kis teljesítmény	2 – 1	Étel melegen tartása – rizottó krémesre főzése	Ideális a frissen elkészült ételek melegen tartásához (pl. szószok, levesek), rizottó krémesre főzéséhez, valamint tálalóedények melegen tartásához.
Minimális teljesítmény	1	Kiolvasztás	Ideális kis mennyiségű termékek kiolvasztásához és csokoládé vagy vaj óvatos olvasztásához.
Nulla teljesítmény	0	-	A főzőlap készenléti állapotban vagy kikapcsolva (a főzés után maradék hő még előfordulhat; ezt a "H" felirat jelzi).

TISZTÍTÁS ÉS KARBANTARTÁS

⚠ Válassza le a készüléket az áramforrásról.

- Ne használjon gőznyomással működő tisztítóeszközöket.
- Ne használjon dörzsszivacsot vagy súrolópárnát, mert ezek megkarcolhatják az üvegfelületet.
- Minden használat után (lehűlt állapotban) tisztítsa meg a főzőlapot, eltávolítva róla az ételmaradékok okozta lerakódásokat és foltokat.

- A cukor, valamint a magas cukortartalmú ételek károsíthatják a főzőlapot, így azokat haladéktalanul el kell távolítani.
- A só, a cukor és a homok megkarcolhatja az üvegfelületet.
- Használjon puha kendőt, nedvszívó papírtörölt vagy speciálisan a főzőlapok tisztítására szolgáló tisztítóeszközt (tartsa be a gyártó utasításait).
- Ha folyadék fröccsen a főzőzónákra, az edények elmozdulhatnak vagy remeghetnek.
- A tisztítást követően alaposan szárítsa meg a felületet.

A PROBLÉMÁK MEGOLDÁSA

Ha a főzőlap nem megfelelően működik, tekintse meg a hibaelhárítási útmutatót a probléma meghatározásához, és csak ezután vegye fel a kapcsolatot a vevőszolgálattal.

- Olvassa el és tartsa be a "Napi használat" részben található utasításokat.
- Ellenőrizze, hogy nincs-e áramkimaradás.
- A tisztítást követően alaposan szárítsa meg a felületet.
- Ha ki van választva egy főzőzóna, és a kijelzőn az "F" vagy az "ER" érték látható egy szám kíséretében, forduljon segítségért a vevőszolgálathoz.
- "F03", "ER03" és "E02" hibakód esetén a probléma megoldása érdekében kövesse az alábbi utasításokat:
 - Ha az "E02" hibakód látható, ellenőrizze a következőket: nem nyomja-e az egyik gombot 5 másodpercnél hosszabb ideig, nem található-e tárgy a kezelőfelületen, a kezelőfelület tiszta és száraz-e – tisztításkor kövesse a "Tisztítás és karbantartás" részben leírtakat.
 - Ha az "F03" hibakód látható, kapcsolja ki és be a főzőlapot.
 - Ha az "F04" hibakód látható, forduljon a vevőszolgálathoz, ahol jelezheti a problémát.

- Ha egy intenzív használatot követően a főzőfelület nem működik, akkor a főzőfelület belső hőmérséklete túl magas. Várjon néhány percet, amíg a főzőfelület lehül.
- Ha a fűtőberendezés működése nem folyamatos, hanem időnként be- és kikapcsol, még akkor is, ha a teljesítményszint nem változik a kijelzőn, az a főzőlap normál működésének része. A rendszeres be- és kikapcsolás a fűtőberendezés fokozatának szabályozására szolgál, és a normál működés része. Bizonyos esetekben a hővédelmi funkció kikapcsolja a fűtőberendezést az üveg károsodásának elkerülése érdekében. Például: hosszú ideig főzünk magas fokozaton, a főzőfelületnél kisebb edényben vagy nem lapos fenekű edényben.
- Ha a főzőlap hangjelzést ad ki anélkül, hogy a felhasználó megnyomna egy gombot, törölje le a kezelőfelületre került folyadékot. Törölje szárazra a kezelőfelületet, és használja tovább a főzőlapot. Ha a főzőlap automatikusan kikapcsolt, lehetséges, hogy folyadék került a kezelőfelületre. Törölje szárazra a kezelőfelületet, és kapcsolja vissza a főzőlapot.

Ha a fenti ellenőrzések után a hiba még mindig fennáll, lépjen kapcsolatba a legközelebbi vevőszolgálattal.

VEVŐSZOLGÁLAT

Ahhoz, hogy átfogóbb támogatásban részesüljön, kérjük, regisztrálja készülékét a www.whirlpool.eu/register oldalon.

MIELŐTT A VEVŐSZOLGÁLATOT HÍVNÁ:

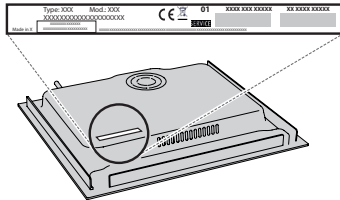
1. Ellenőrizze, hogy a probléma megoldható-e a **HIBAE LHÁRÍTÁS** részben ismertetett javaslatok segítségével.
2. Kapcsolja ki, majd kapcsolja be újra a készüléket, hogy lássa, fennáll-e még a hiba.

HA A FENTI LÉPÉSEK ELVÉGZÉSE UTÁN A HIBA TOVÁBBRA IS FENNÁLL, LÉPJEN KAPCSOLATBA A HELYI VEVŐSZOLGÁLATTAL.

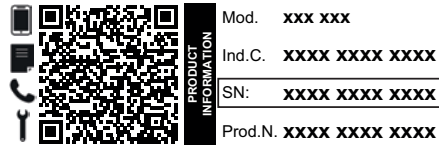
Ha segítségre van szüksége, hívja a garanciafüzetben található telefonszámot, vagy kövesse a weboldalon (www.whirlpool.eu) megadott utasításokat.

Ha a vevőszolgálathoz fordul, minden esetben meg kell adnia a következő adatokat:

- a hiba rövid leírását;
- a sütő pontos modelljét és típusát;



- sorozatszám (az SN szó utáni szám a készülék alatt található adattáblán). A sorozatszámot a dokumentáció is megadja;



- a teljes címét;
- a telefonszámát.

Ha bármilyen javításra van szükség, kérjük, hogy a hivatalos vevőszolgálathoz forduljon (annak biztosítása érdekében, hogy eredeti alkatrészeket használjanak, és a javításokat megfelelően végezzék el).

A szabályzatok, a szabványos dokumentáció és a termékkel kapcsolatos további információk elérhetők:

- A készüléken lévő QR-kód használatával;
- Ha ellátogat a docs.whirlpool.eu weboldalra;
- Vagy **vegye fel a kapcsolatot a vevőszolgálattal** (a telefonszámot lásd a garanciafüzetben). Amennyiben a vevőszolgálathoz fordul, kérjük, adja meg a termék adattábláján feltüntetett kódokat.



INSTRUCȚIUNI PRIVIND SIGURANȚA

IMPORTANT: TREBUIE CITITE ȘI RESPECTATE

Descărcați manualul cu instrucțiuni complet de pe site-ul <http://docs.whirlpool.eu> sau sunați la numărul indicat pe certificatul de garanție.

Înainte de a utiliza aparatul, citiți aceste instrucțiuni privind siguranța. Păstrați-le la îndemână pentru a le putea consulta și pe viitor.

Aceste instrucțiuni și aparatul în sine furnizează avertismente importante privind siguranța, care trebuie respectate întotdeauna. Producătorul nu își asumă nicio răspundere pentru nerespectarea acestor instrucțiuni de siguranță, pentru utilizarea necorespunzătoare a aparatului sau pentru setarea incorectă a butoanelor de comandă.

⚠ **AVERTISMENT:** Dacă suprafața plitei este crăpată, nu folosiți aparatul - risc de electrocutare.

⚠ **AVERTISMENT:** Pericol de incendiu: nu depozitați articole pe suprafețele de gătit.

⚠ **ATENȚIE:** Procesul de preparare trebuie să fie supravegheat. Un proces de preparare care durează puțin trebuie să fie supravegheat în permanență.

⚠ **AVERTISMENT:** Prepararea la plită cu grăsime sau ulei poate fi periculoasă - risc de incendiu. Nu încercați NICIODATĂ să stingeți un incendiu folosind apă: opriți aparatul și apoi acoperiți flacăra, de exemplu, cu un capac sau cu o pătură ignifugă.

⚠ Nu utilizați plita ca suprafață de lucru sau suport. Nu amplasați articole vestimentare sau alte materiale inflamabile lângă aparat până când nu s-au răcit complet toate componentele acestuia - pericol de incendiu.

⚠ Nu lăsați aparatul la îndemâna copiilor foarte mici (0-3 ani). Nu lăsați aparatul la îndemâna copiilor mici (3-8 ani) decât dacă sunt supravegheați în permanență. Copiii cu vârsta de peste 8 ani și persoanele cu capacități fizice, senzoriale sau mintale reduse sau fără experiență și cunoștințe pot folosi acest aparat doar dacă sunt supravegheate sau au fost instruite cu privire la utilizarea în siguranță și înțeleg riscurile implicate. Copiii nu trebuie să se joace cu aparatul. Curățarea și întreținerea nu trebuie să fie efectuate de către copii fără a fi supravegheați.

⚠ **AVERTISMENT:** Aparatul și părțile sale accesibile se înfierbântă în timpul utilizării. Trebuie evitată atingerea elementelor fierbinți. Copiii cu vârste mai mici de 8 ani nu trebuie lăsați să se apropie de aparat, cu excepția cazurilor în care sunt supravegheați în permanență.

UTILIZAREA PERMISĂ

⚠ **ATENȚIE:** aparatul nu trebuie să fie pus în funcțiune prin intermediul unui comutator extern, precum un temporizator, sau al unui sistem de comandă la distanță separat.

⚠ Acest aparat este proiectat pentru a fi utilizat în locuințe, precum și în alte spații, cum ar fi: bucătării destinate personalului din magazine, birouri și alte spații de lucru; ferme; de către clienții din hoteluri, moteluri, unități de cazare de tip "bed and breakfast" și alte spații rezidențiale.

⚠ Nu este permisă nicio altă utilizare (de ex., încălzirea încăperilor).

⚠ Acest aparat nu este destinat utilizării în scop profesional. Nu utilizați aparatul afară.

INSTALARE

⚠ Manevrarea și instalarea aparatului trebuie să fie efectuate de două sau mai multe persoane - risc de rănire. Folosiți mănuși de protecție la despachetare și instalare - risc de tăiere.

⚠ Instalarea, inclusiv racordarea la rețeaua de alimentare cu apă (dacă este necesară) și la rețeaua de alimentare cu energie electrică, precum și reparațiile trebuie efectuate de un tehnician calificat. Nu reparați și nu înlocuiți nicio componentă a aparatului, cu excepția cazului în care acest lucru este indicat în mod expres în manualul de utilizare. Nu lăsați copiii în apropierea zonei de instalare. După despachetarea aparatului, asigurați-vă că acesta nu a fost deteriorat în timpul transportului. Dacă apar probleme, contactați distribuitorul sau cel mai apropiat serviciu de asistență tehnică post-vânzare. Odată instalat aparatul, deșeurile de ambalaje (bucăți de plastic, polistiren etc.) nu trebuie lăsate la îndemâna copiilor - risc de asfixiere. Înainte de orice operație de instalare, aparatul trebuie să fie deconectat de la rețeaua de alimentare cu energie electrică - risc de electrocutare. În timpul instalării, aveți grijă ca aparatul să nu deterioreze cablul de alimentare - risc de incendiu sau de electrocutare. Activați aparatul numai atunci când instalarea a fost finalizată.

⚠ Efectuați toate operațiile de tăiere a dulapului înainte de montarea aparatului și îndepărtați toate așchiile de lemn și rumegușul.


⚠ În cazul în care aparatul nu este montat deasupra unui cuptor, trebuie să fie instalat un panou despărțitor (neinclus în dotarea aparatului) în compartimentul de sub acesta.

AVERTISMENTE PRIVIND ALIMENTAREA CU ENERGIE ELECTRICĂ


⚠ Aparatul trebuie să poată fi deconectat de la rețeaua electrică fie prin scoaterea ștecherului din priză (dacă ștecherul este accesibil), fie prin intermediul unui întrerupător multipolar situat în amonte de priză, în conformitate cu normele privind cablurile electrice, și trebuie să fie împământat în conformitate cu standardele naționale privind siguranța electrică.


⚠ Nu utilizați prelungitoare, prize multiple sau adaptoare. După finalizarea instalării, componentele electrice nu trebuie să mai fie accesibile pentru utilizator. Nu utilizați aparatul dacă aveți părți ale corpului umede sau când sunteți desculți. Nu puneți în funcțiune acest aparat dacă are cablul de alimentare sau ștecherul deteriorat, dacă nu funcționează corespunzător sau dacă a fost deteriorat sau a căzut pe jos.

⚠ Instalarea folosind o fișă de cablu de alimentare nu este permisă, cu excepția cazului în care produsul este deja dotat cu una furnizată de producător.

 În cazul în care cablul de alimentare este deteriorat, acesta trebuie să fie înlocuit cu unul identic de către producător, agentul său de service sau alte persoane calificate, pentru a evita orice pericol sau risc de electrocutare.

CURĂȚAREA ȘI ÎNTREȚINEREA

 **AVERTISMENT:** Asigurați-vă că aparatul este oprit și deconectat de la sursa de alimentare înainte de a efectua orice operație de întreținere; nu folosiți niciodată aparate de curățare cu aburi - risc de electrocutare.

 Nu utilizați produse abrazive sau corozive, produse pe bază de clor sau bureți de sârmă pentru vase.

ELIMINAREA AMBALAJULUI


Ambalajul este reciclabil în proporție de 100% și este marcat cu simbolul reciclării .

Prin urmare, diferitele părți ale ambalajului nu trebuie aruncate la întâmplare, ci trebuie eliminate în conformitate cu normele stabilite de autoritățile locale.

ELIMINAREA APARATELOR ELECTROCASNICE

Acest aparat este fabricat cu materiale reciclabile sau reutilizabile. Eliminați-l în conformitate cu normele locale referitoare la eliminarea deșeurilor. Pentru informații suplimentare referitoare la tratarea, valorificarea și reciclarea aparatelor electrocasnice, contactați autoritățile locale competente, serviciul de colectare a deșeurilor menajere sau magazinul de unde ați achiziționat aparatul. Acest aparat este marcat în conformitate cu Directiva europeană 2012/19/UE privind deșeurile de echipamente electrice și electronice (DEEE) și cu reglementările din 2013 privind deșeurile de echipamente electrice și electronice (astfel cum au fost modificate).

Asigurându-vă că acest produs este eliminat în mod corect, contribuiți la prevenirea consecințelor negative asupra mediului înconjurător și sănătății persoanelor.

Simbolul  de pe produs sau de pe documentele care îl însoțesc indică faptul că acest aparat nu trebuie eliminat ca deșeu menajer, ci trebuie predat la un centru de colectare corespunzător, pentru reciclarea echipamentelor electrice și electronice.

RECOMANDĂRI PRIVIND ECONOMISIREA ENERGIEI

Profitați din plin de căldura reziduală a plăcii fierbinți prin oprirea aparatului cu câteva minute înainte de a termina prepararea.

Baza oalei sau a cratiței trebuie să acopere placa fierbinte în întregime; un recipient care este mai mic decât placa fierbinte va duce la irosirea energiei.

Acoperiți oalele și cratițele cu capace etanșe în timpul preparării și folosiți cât mai puțină apă. Prepararea fără capac va crește foarte mult consumul de energie.

Utilizați numai oale și cratițe cu baza plată.

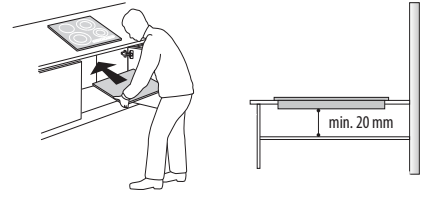
DECLARAȚIE DE CONFORMITATE

Acest aparat îndeplinește Cerințele de proiectare ecologică prevăzute de Regulamentul european nr. 66/2014, precum și Regulamentele din 2019 (leșire UE) (Amendamentul) privind informațiile energetice și proiectarea ecologică aplicabilă produselor cu impact energetic, în conformitate cu Standardul european EN 60350-2.



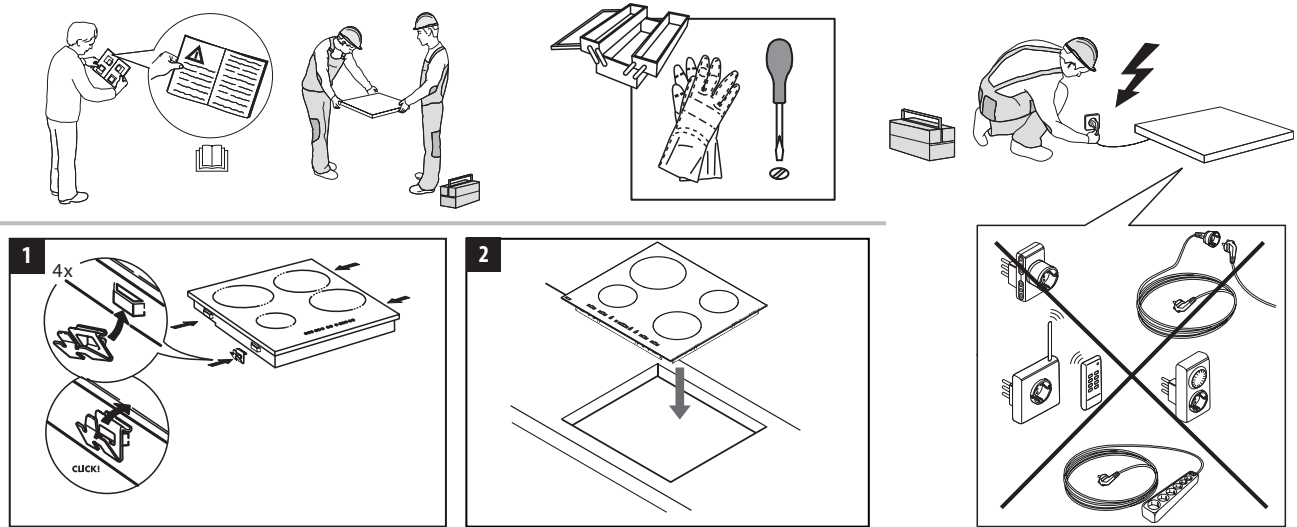
INSTALARE

- Plita trebuie montată pe blatul de lucru la o adâncime de cel puțin 20 mm.
- Nu trebuie să existe nimic între plită și cuptor (sine transversale, console etc.).
- Asigurați-vă că cablul de alimentare este suficient de lung pentru a permite instalarea în mod convenabil.
- Distanța dintre suprafața inferioară a plitei vitroceramice și dulap sau panoul separator trebuie să fie de cel puțin 20 mm.
- Pentru dimensiunile de încorporare și instalare, consultați imaginea din acest paragraf.
- Trebuie menținută o distanță minimă între plită și hota de deasupra acesteia. Vă rugăm să consultați manualul de utilizare a hotei pentru informații suplimentare.
- Montați garnitura furnizată pentru plită (cu excepția cazului în care a fost deja montată), după ce ați curățat suprafața acesteia.
- Nu instalați plita în apropierea unei mașini de spălat vase sau a unei mașini de spălat rufe, pentru ca circuitele electronice să nu vină în contact cu vaporii sau umiditatea și să se deterioreze.
- Dacă este instalat un cuptor sub plită, asigurați-vă că acesta este dotat cu un sistem de răcire. Dacă temperatura circuitelor electronice depășește valoarea maximă permisă, plita se va opri automat; în acest caz, așteptați timp de câteva minute până când temperatura interioară a circuitelor electronice atinge un nivel tolerabil, moment în care va fi posibilă repornirea plitei.

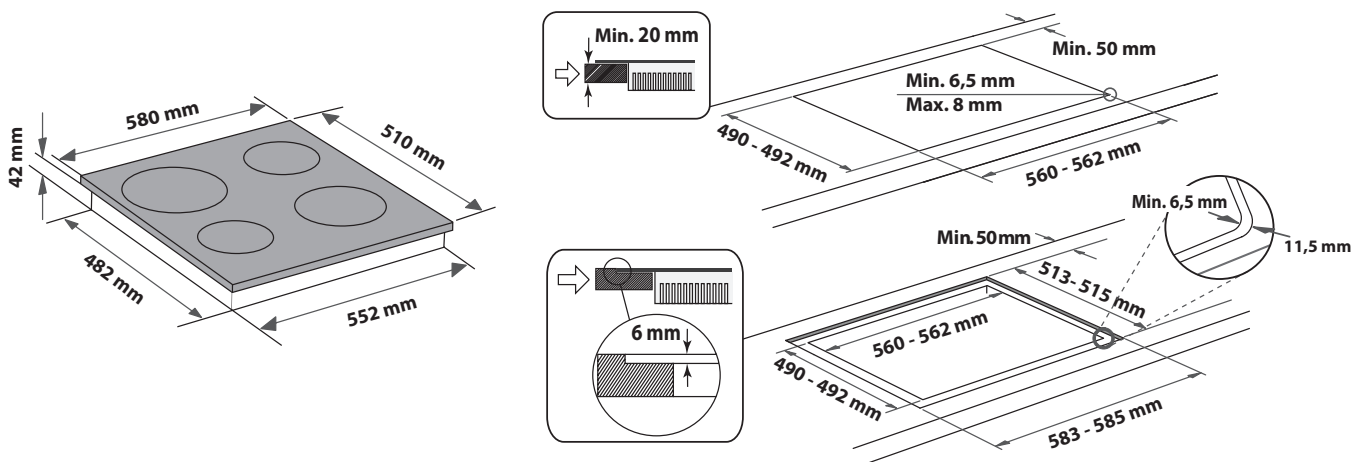
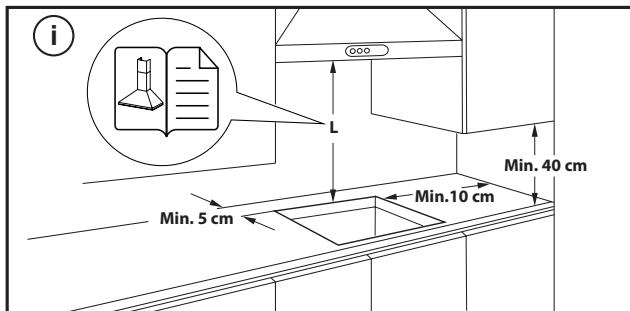


AMPLASAREA PLITEI

După efectuarea conexiunii la rețeaua de alimentare cu energie electrică (consultați capitolul "Conectarea la rețeaua de alimentare cu energie electrică"), poziționați fiecare clemă de fixare în canalele aferente din părțile laterale ale plitei, după cum este indicat în imagine. Apoi, împingeți plita în interiorul porțiunii decupate și asigurați-vă că sticla este plană și paralelă cu blatul de lucru. Clemele de fixare sunt proiectate pentru fiecare tip de material al blaturilor de lucru (lemn, marmură etc.).



DIMENSIUNI ȘI DISTANȚE DE RESPECTAT



DEMONTAREA PLITEI:

Pentru a demonta plita, mai întâi deconectați-o de la rețeaua de alimentare cu energie electrică. Se recomandă cu insistență să desprindeți partea de dedesubt de cuptor, sertar, separator sau altele. Acest lucru îi permite tehnicianului să acceseze partea inferioară a plitei pentru a desprinde cele patru cleme cu o șurubelniță, să ridice plita și să o demonteze, evitând deteriorarea blatului de lucru.

CONECTAREA LA REȚEAUA DE ALIMENTARE CU ENERGIE ELECTRICĂ

Conexiunea electrică trebuie efectuată înainte de a conecta aparatul la alimentarea cu electricitate.




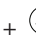
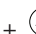
Cablul de alimentare nu este inclus în pachet - nu uitați să furnizați propriul cablu de alimentare.

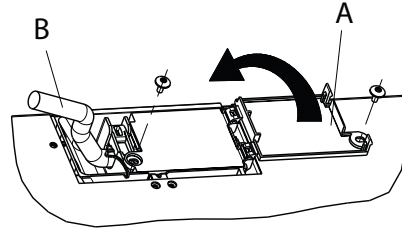
Instalarea trebuie efectuată de personal calificat care cunoaște reglementările în vigoare referitoare la instalare și siguranță. În special, instalația trebuie efectuată în conformitate cu normele companiei locale de furnizare a energiei electrice.

Asigurați-vă că tensiunea indicată pe plăcuța cu date tehnice, situată la baza aparatului, corespunde cu tensiunea din locuința unde va fi instalat aparatul. Împământarea aparatului este obligatorie prin lege: utilizați numai conductori (inclusiv conductorul pentru împământare) de dimensiuni corespunzătoare.

CONECTAREA LA BLOCUL DE CONEXIUNI


Pentru conexiunea electrică, folosiți un cablu de tip H05RR-F sau H05V2V2-F, așa cum se indică în tabelul de mai jos.

TENSIUNE DE ALIMENTARE	CONDUCTORI NUMĂR X DIMENSIUNE
220-240V ~ + 	3 x 4 mm ²
230-240V ~ + 	3 x 4 mm ² (numai Australia)
220-240V 3~ + 	4 x 1,5 mm ²
380-415V 3N~ + 	5 x 1,5 mm ²
380-425V 2N~ + 	4 x 1,5 mm ²



Aparatul trebuie conectat la sursa de alimentare cu energie prin intermediul unui întrerupător multipolar cu o distanță de minim 3 mm între contacte.

ATENȚIE: cablul de alimentare trebuie să fie suficient de lung pentru a permite scoaterea plitei din blatul de lucru și trebuie poziționat astfel încât să se evite deteriorarea sau supraîncălzirea cauzată de contactul cu baza aparatului.

NOTĂ: firul galben/verde de împământare trebuie conectat la borna marcată cu simbolul  și trebuie să fie mai lung decât celelalte fire.

- Îndepărtați aproximativ 70 mm din învelișul cablului de alimentare (**B**).
- Înlăturați aproximativ 10 mm din învelișul firelor. Apoi, introduceți cablul de alimentare în clema de cablu și conectați firele la blocul de conexiuni, așa cum se indică în diagrama de conexiuni amplasată lângă blocul de conexiuni.
- Fixați cablul de alimentare (**B**) cu ajutorul clemei de cablu.
- Închideți blocul de conexiuni folosind capacul (**A**) și fixați-l cu șurubul din dotare.
- După ce ați executat conexiunea electrică, montați plita din partea de sus și fixați-o de arcurile de susținere, așa cum se indică în figură.



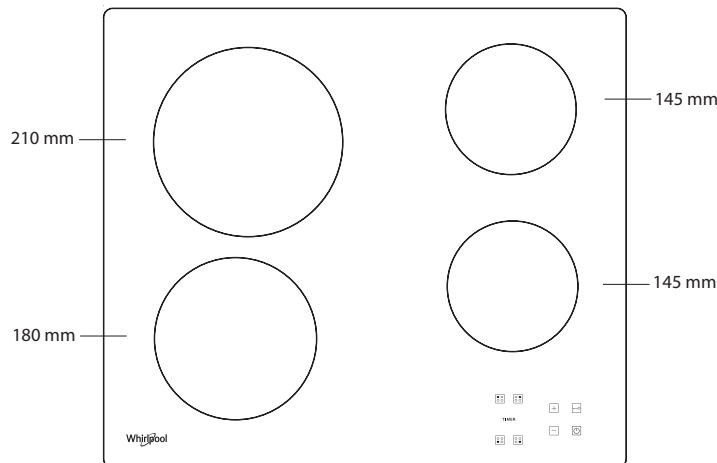
VĂ MULȚUMIM CĂ AȚI ACHIZIȚIONAT UN PRODUS WHIRLPOOL
Pentru a beneficia de servicii complete de asistență, vă rugăm să vă înregistrați produsul pe www.whirlpool.eu/register.

**SCANAȚI CODUL QR DE PE
APARATUL DUMNEAVOASTRĂ
PENTRU A OBTINE MAI MULTE
INFORMAȚII**

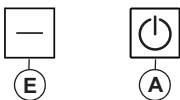
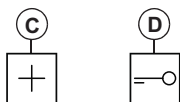
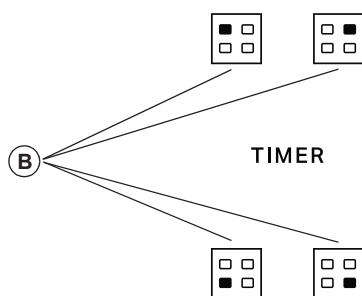


Înainte de a utiliza aparatul, citiți cu atenție instrucțiunile privind siguranța.

DESCRIEREA PRODUSULUI



PANOU DE COMANDĂ



- A** Pornit/Oprit
- B** Selectarea zonei de gătit și a timerului
- C-E** Mărirea și reducerea nivelului de putere
- D** Blocarea a tastelor

PRIMA UTILIZARE

La prima instalare, panoul de comandă efectuează o verificare funcțională de circa 1 secundă, apoi comută automat la funcția "Blocarea a tastelor". Pentru a dezactiva funcția, apăsați și țineți apăsat butonul "D"; se va auzi un

semnal acustic și led-ul corespunzător se va stinge.

NOTĂ: În cazul resetării aparatului, repetați procedura descrisă mai sus.

UTILIZAREA ZILNICĂ



ACTIVAREA/DEZACTIVAREA PLITEI

Pentru a porni plita, țineți apăsat butonul "A" timp de aprox. 2 secunde. Cele 4 afișaje ale zonelor de gătit indică "0". Dacă nu se activează nicio zonă de gătit în decursul a 20 de secunde, plita se oprește automat din motive de siguranță.

ACTIVAREA ȘI REGLAREA ZONELOR DE GĂTIT

Apăsați pe unul dintre butoanele "B" care corespunde zonei de gătit pe care doriți să o folosiți. Selectați nivelul de putere dorit cu ajutorul butoanelor "E" sau "C". Nivelurile de putere care pot selectate se încadrează între 1 și 9. Apăsați simultan pe butoanele "+/-" pentru a anula toate setările.

IMPORTANT: butonul se dezactivează la 10 secunde după ce s-a selectat nivelul de putere dorit.

Pentru a modifica nivelul de putere, mai întâi apăsați din nou pe butonul de selectare "B" apoi puteți să modificați setarea cu ajutorul butoanelor "E" sau "C".

TIMER

Pentru a seta funcția Timer, selectați zona de gătit dorită și nivelul de putere, apoi apăsați din nou pe butonul corespunzător zonei de gătit; pe afișaj ul zonei

de gătit controlate de timer se aprinde un indicator. Indicația "00" clipește pe cele 2 afișaje. Apăsați pe butoanele "E" sau "C" pentru a seta timpul de la 1 la 99.

IMPORTANT: după 10 secunde, pe afișajele timerului apare nivelul de putere al celorlalte zone de gătit.

Pentru a vedea timpul de gătit rămas, apăsați de două ori pe butonul corespunzător zonei controlate de timer.

FUNCȚIA A

Această funcție permite reducerea automată a nivelului de putere a zonei de gătit de la cea mai mare valoare (nivelul 9) la una selectată de utilizator pentru o etapă de preparare ulterioară.

Pentru a activa această funcție, apăsați mai întâi butonul "+" atunci când este atins nivelul 9.

Pe afișaj apare litera "A", iar cifra "9" clipește alternativ cu luminozitate redusă.

În acest moment, alegeți nivelul de putere dorit (sub 9) folosind butonul "-". Litera "A" și nivelul selectat clipește alternativ cu luminozitate redusă pe afișaj.

Funcția este activată odată ce litera "A" și nivelul selectat clipește alternativ cu luminozitate ridicată pe afișaj.

Odată ce litera "A" nu mai este vizibilă pe afișaj (funcția "A" se dezactivează automat după câteva minute, în funcție de nivelul de putere setat), procesul de

preparare continuă cu un nivel de putere redus, iar pe afișaj apare doar nivelul de putere selectat.

N.B.: această funcție nu poate fi rulată la nivelul 9.



BLOCARE A TASTELOR

Funcția Blocare a tastelor se activează ținând apăsat butonul "D" până când deasupra butonului asociat funcției se aprinde un indicator. Panoul de comandă este blocat, cu excepția funcției de oprire. Funcția rămâne activată chiar și după oprirea și repornirea plitei și poate fi dezactivată apăsând din nou pe butonul "D" până când indicatorul de deasupra butonului asociat funcției se stinge.

Atunci când plita este oprită, iar funcția de blocare a tastelor este activată pentru a se putea porni plita, mai întâi dezactivați funcția de blocare a tastelor apăsând din nou butonul "D" până când punctul de deasupra butonului de funcție se stinge.

Prezența apei, scurgerile de lichide din vasele de gătit sau obiectele așezate pe comenzi pot activa sau dezactiva în mod accidental funcția de blocare a tastelor.



INDICATORUL DE CĂLDURĂ REZIDUALĂ

După oprirea zonei de gătit, indicatorul de căldură reziduală "H" rămâne aprins sau clipește alternând cu "0", până când temperatura plitei revine la nivelul de siguranță.

IMPORTANT: Caracteristicile de siguranță ale plitei includ o funcție de oprire automată. Folosirea îndelungată a aceluiași nivel de putere determină dezactivarea automată a zonei de gătit (de exemplu, după circa 1 oră la nivelul de putere maxim, zona de gătit se dezactivează).

IMPORTANT: Pentru a evita deteriorarea permanentă a plitei:

- nu utilizați vase a căror parte inferioară nu este plată;
- nu utilizați vase metalice cu partea inferioară emailată;
- nu așezați oale/crațițe fierbinți pe panoul de comandă.

De asemenea, plita este dotată cu funcția de "oprire automată" care oprește zona de gătit în cazul în care nu se fac modificări asupra nivelului de putere după o anumită perioadă de timp, în funcție de setarea puterii. În tabel, sunt indicate duratele de timp pentru fiecare nivel de putere.

NIVEL DE PUTERE	DURATĂ OPRIRE AUTOMATĂ
0	30 de secunde
1	10 ore
2	5 ore
3	5 ore
4	4 ore
5	3 ore
6	2 ore
7	2 ore
8	2 ore
9	1 oră

TABELUL DE GĂTIRE

NIVEL DE PUTERE		TIP DE PREPARARE	UTILIZAREA NIVELULUI (indică experiența și obiceiurile dumneavoastră culinare)
Putere maximă	9	Fierbere	Ideal pentru creșterea rapidă a temperaturii alimentelor în scopul fierberii rapide a apei sau pentru încălzirea rapidă a lichidelor pentru gătit.
	9 – 8	Prăjire	Ideal pentru rumenire, începerea preparării alimentelor, prăjirea produselor congelate, fierbere rapidă.
Putere ridicată	8 – 7	Rumenire – menținere punct de fierbere – frigere la grătar	Ideal pentru rumenire, menținerea unui punct de fierbere la temperatură ridicată, prepararea alimentelor și frigere la grătar (durată scurtă, 5-10 minute).
	7 – 6	Prăjire – preparare – frigere la grill	Ideal pentru menținerea unui punct de fierbere la temperatură scăzută, prepararea alimentelor și frigere la grătar (durată medie, 10-20 de minute), preîncălzire și prăjire.
Putere medie	6 – 5	Prăjire delicată	Ideal pentru prăjirea ouălor, omletelor.
	5 – 4	Preparare – fierbere la foc mic – fierbere înăbușită	Ideal pentru o perioadă de preparare mai îndelungată (orez, sosuri, fripturi, pește) cu lichide (de exemplu, apă, vin, bulion, lapte), obținerea unei texturi cremoase a pastelor.
	4 – 3	Îngroșare – obținerea unei texturi cremoase a pastelor	
Putere scăzută	2 – 1	Menținerea alimentelor calde – obținerea unei texturi cremoase a rizotoului	Ideal pentru menținerea la cald a alimentelor preparate recent (de exemplu, sosuri, supe, minestrone), obținerea unei texturi cremoase a rizotoului și menținerea la cald a farfuriilor.
Putere minimă	1	Decongelare	Ideal pentru a decongela produse de mici dimensiuni și pentru a topi delicat ciocolata sau untul.
Putere zero	0	—	Plită în modul Standby sau Oprit (este posibil să existe căldură reziduală la finalizarea etapei de preparare, semnalată prin afișarea literei "H").

CURĂȚAREA ȘI ÎNTREȚINEREA

⚠ Deconectați aparatul de la rețeaua electrică.

- Nu utilizați aparate de curățat cu aburi.
- Nu utilizați bureți abrazivi sau din sârmă deoarece aceștia pot deteriora suprafața din sticlă.
- După fiecare utilizare, curățați plita (după ce s-a răcit) pentru a elimina depunerile și petele cauzate de resturile de mâncare.

- Zahărul și alimentele cu un conținut ridicat de zaharuri deteriorează plita și trebuie să fie îndepărtate imediat.
- Sarea, zahărul și nisipul pot zgâria suprafața de sticlă.
- Folosiți o lavetă moale, hârtie absorbantă pentru bucătărie sau produse speciale pentru curățarea plitei (respectați instrucțiunile producătorului).
- Pătrunderea lichidului în zonele de gătit poate provoca deplasarea sau vibrarea vaselor de gătit.
- Uscați temeinic plita după ce o curățați.

REMEDIEREA DEFECȚIUNILOR

Dacă plita nu funcționează corect, înainte de a apela la Serviciul de asistență tehnică, consultați Ghidul de remediere a defecțiunilor pentru a stabili care este problema.

- Citiți și respectați instrucțiunile din secțiunea "Utilizarea zilnică".
- Controlați să nu fie întreruptă alimentarea cu electricitate.
- Uscați bine plita după curățarea acesteia.
- Dacă a fost selectată o zonă de gătit și "F" sau "ER" apare pe afișaj urmat de un număr, contactați serviciul de asistență tehnică post-vânzare și oferiți informații în acest sens.
- În cazul în care codul de eroare este "F03", "ER03" sau "E02", încercați să-l remediați urmând aceste instrucțiuni:
 - Dacă apare eroarea "E02", vă rugăm să vă asigurați că nu ați apăsat butoanele mai mult de 5 secunde, că nu se află niciun obiect în zona HMI și că aceasta este curată și uscată - atunci când curățați, vă rugăm să respectați paragraful Curățarea și întreținerea.
 - Dacă apare eroarea "F03", încercați să opriți și să reporniți plita.
 - Dacă apare eroarea "F04", contactați serviciul de asistență tehnică post-vânzare și comunicați-le codul afișat.

- Dacă suprafața de gătit nu funcționează după o utilizare intensivă, temperatura internă a suprafeței de lucru este prea ridicată. Așteptați câteva minute până când suprafața de gătit se răcește.
- Dacă încălzitorul nu este menținut pornit în continuu, ci este pornit și oprit în mod ciclic deși nivelul de putere de pe afișaj nu se schimbă, aceasta face parte din funcționarea normală a plitei. Ciclul de pornire/oprire permite reglarea puterii încălzitorului, lucru care este absolut normal. În anumite cazuri, protecția termică poate opri încălzitorul o perioadă de timp pentru a preveni deteriorarea sticlei. Exemple de astfel de cazuri sunt: prepararea unui aliment pentru un timp îndelungat la un nivel de putere ridicat, utilizarea unor vase de gătit mai mici decât rezistența și a unor vaselor de gătit a căror bază nu este plată.
- Dacă plita emite un sunet scurt fără ca clientul să fi apăsat vreun buton, vă rugăm să îndepărtați scurgerile de lichide de pe HMI. Uscați HMI și continuați să folosiți plita. Dacă plita a fost oprită automat, acest lucru poate fi cauzat de prezența unui lichid pe HMI. Uscați HMI și reporniți plita.

Dacă problema persistă și după verificările de mai sus, luați legătura cu cel mai apropiat Serviciu de asistență tehnică.

SERVICIUL DE ASISTENȚĂ TEHNICĂ POST-VÂNZARE

Pentru a beneficia de servicii complete de asistență, vă rugăm să vă înregistrați produsul pe www.whirlpool.eu/register.

ÎNAINTEDE A CONTACTA SERVICIUL DE ASISTENȚĂ TEHNICĂ POSTVÂNZARE:

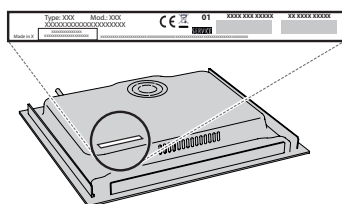
1. Încercați să rezolvați singuri problema, cu ajutorul recomandărilor din **GHIDUL DE REMEDIERE A DEFECȚIUNILOR**.
2. Opriți și puneți din nou în funcțiune aparatul pentru a verifica dacă defecțiunea persistă.

DACĂ PROBLEMA PERSISTĂ CHIAR ȘI DUPĂ CONTROALELE MENȚIONATE, CONTACTAȚI CEL MAI APROPIAT SERVICIU DE ASISTENȚĂ TEHNICĂ POST-VÂNZARE.

Pentru asistență, sunați la numărul de telefon specificat pe certificatul de garanție sau urmați instrucțiunile de pe site-ul web www.whirlpool.eu.

Atunci când contactați serviciul de asistență tehnică post-vânzare, specificați întotdeauna:

- o scurtă descriere a defecțiunii;
- tipul și modelul exact al aparatului;



- numărul de serie (numărul de după cuvântul SN de pe plăcuța cu date tehnice, amplasată sub aparat). De asemenea, numărul de serie este indicat în documentație;



- adresa dumneavoastră completă;
- numărul dumneavoastră de telefon

Dacă sunt necesare orice fel de reparații, vă rugăm să contactați un serviciu de asistență tehnică post-vânzare autorizat (pentru a avea garanția că se folosesc piese de schimb originale și că reparațiile vor fi executate corect).

Politicele, documentația standard și informații suplimentare despre produs pot fi găsite:

- Utilizând codul QR de pe aparat;
- Vizitând site-ul nostru web docs.whirlpool.eu;
- Ca alternativă, **contactați serviciul nostru de asistență tehnică post-vânzare** (Consultați numărul de telefon din certificatul de garanție). Când contactați serviciul nostru de asistență tehnică post-vânzare, vă rugăm să precizați codurile specificate pe plăcuța cu date de identificare a produsului dumneavoastră.



ИНСТРУКЦИИ ЗА БЕЗОПАСНОСТ

ВАЖНО Е ДА ГИ ПРОЧЕТЕТЕ И ДА ГИ СПАЗВАТЕ

Изтеглете пълното ръководство с инструкции от [http:// docs.whirlpool.eu](http://docs.whirlpool.eu) или се обадете на номера, посочен на книжката за гаранцията.

Преди използването на уреда прочетете внимателно тези указания за безопасност. Дръжте ги на удобно място за бъдещи справки.

В тези указания и на самия уред са представени важни предупреждения за безопасността, които трябва да се прочетат и да се съблюдават винаги. Производителят отказва всякаква отговорност при неспазване на тези указания за безопасността, във връзка с неподходяща употреба на уреда или неправилна настройка на органите за управление.

⚠ **ПРЕДУПРЕЖДЕНИЕ:** Ако повърхността на плочата за готвене е напукана, не използвайте уреда - опасност от електрически удар.

⚠ **ПРЕДУПРЕЖДЕНИЕ:** Опасност от пожар: не поставяйте предмети по готварските повърхности.

⚠ **ВНИМАНИЕ:** Процесът на готвене трябва да се наблюдава. Краткотрайните процеси на готвене трябва да се наблюдават постоянно.

⚠ **ПРЕДУПРЕЖДЕНИЕ:** Готвенето на плочата на храни с мазнина или олио без наблюдение може да се окаже опасно и да доведе до пожар. НИКОГА не опитвайте да потушите пламъците с вода: вместо това изключете уреда и покрийте пламъка с капак или огнеупорно одеяло.

⚠ Не използвайте плочата като работен плот или поставка. Пазете дрехите и други запалими материали далеч от уреда, докато всички негови компоненти изстинат напълно - опасност от пожар.

⚠ Много малки деца (0-3 год.) трябва да стоят далеч от уреда. Малки деца (3-8 год.) трябва да стоят далеч от уреда, освен ако не са под постоянно наблюдение. Този уред може да се използва от деца на 8 години и по-големи, както и от лица с ограничени физически, сетивни или умствени възможности или с недостатъчен опит и познания само ако са под надзор или са им дадени инструкции за употребата на уреда по безопасен начин и разбират възможните опасности. Децата не трябва да си играят с уреда. Почистването и поддръжката от потребителя не трябва да се извършва от деца без надзор.

⚠ **ПРЕДУПРЕЖДЕНИЕ:** Уредът и откритите му части се нагорещават по време на работа. Внимавайте да не докосвате нагревателните елементи. Децата под 8-годишна възраст трябва да се пазят далеч от уреда, ако не се наблюдават непрекъснато.

ПОЗВОЛЕНА УПОТРЕБА

⚠ **ВНИМАНИЕ:** уредът не е предназначен за управление с външен таймер или отделна система с дистанционно управление.

⚠ Този уред е предназначен за употреба в домашни условия и подобни приложения, като: кухни за служители

в магазини, офиси и други работни среди; в стопанства; от клиенти в хотели, мотели и други места за настаняване.

⚠ Не е позволено използване за никакви други цели (например за отопление на помещения).

⚠ Този уред не е предназначен за професионална употреба. Не използвайте този уред на открито.

МОНТИРАНЕ

⚠ Боравенето и монтажът на уреда трябва да се извършват от две или повече лица - съществува опасност от нараняване. Използвайте предпазни ръкавици за разопаковането и монтажа на уреда - съществува опасност от порязвания.

⚠ Монтирането, включително подаването на вода (ако е приложимо) и електрическото свързване и ремонтните дейности трябва да се извършват от квалифициран техник. Не поправяйте и не заменяйте части от уреда, ако това не е изрично посочено в ръководството за потребителя. Пазете децата далеч от мястото, където се извършва монтажът. След като разопаковате уреда, проверете дали не е повреден по време на транспортирането. В случай на проблеми се обърнете към търговеца, от който сте закупили уреда, или към най-близкия сервиз за следпродажбено обслужване. След монтажа всички отпадъци от опаковките (пластмаса, стиропор и др.) трябва да се съхраняват далеч от обсега на деца - съществува опасност от задушаване. Уредът трябва да бъде изключен от захранването преди монтажа - опасност от електрически удар. По време на монтажа внимавайте уредът да не повреди захранващия кабел - опасност от електрически удар. Активирайте уреда едва след завършване на монтажа.

⚠ Извършете всички работи по изрязването на шкафа, преди да поставите фурната в нишата, и след това отстранете всички дървени отломки и стърготини.

⚠ Ако уредът не е монтиран над фурна, трябва да се постави разделителен панел (не е включен) в нишата под уреда.

ПРЕДУПРЕЖДЕНИЯ ОТНОСНО ЕЛЕКТРОЗАХРАНВАНЕТО

⚠ Трябва да е възможно уредът да се изключи от захранването чрез изваждане на щепсела, ако е достъпен, или чрез достъпен многополюсен превключвател, монтиран след контакта, както и уредът да е заземен в съответствие с националните стандарти за електрическа безопасност.

⚠ Не използвайте удължители, разклонители с няколко гнезда или адаптери. След инсталирането електрическите компоненти трябва да бъдат достъпни за потребителя. Не използвайте уреда, когато сте с мокри или боси крака. Не използвайте този уред, ако захранващият му кабел или щепсел е повреден, ако не работи правилно или ако е бил повреден или е паднал.

⚠️ Инсталирането с използване на захранващ кабел с щепсел не се разрешава, освен ако уредът оригинално не е вече оборудван с такъв от производителя.


⚠️ Ако захранващият кабел е повреден, той трябва да се смени от производителя, негов сервизен агент или лице с аналогична квалификация, за да се избегне опасна ситуация, например електрически удар.

ПОЧИСТВАНЕ И ПОДДРЪЖКА

⚠️ ПРЕДУПРЕЖДЕНИЕ: Преди извършване на каквато и да било дейност по поддръжката на уреда, се уверете, че той е изключен и не е свързан към захранването; никога не използвайте уреди за почистване с пара - опасност от електрически удар.

⚠️ Не използвайте абразивни или корозивни препарати, препарати на хлорна основа или стоманена вълна.

ИЗХВЪРЛЯНЕ НА ОПАКОВЪЧНИТЕ МАТЕРИАЛИ


Опаковъчният материал е 100% годен за рециклиране и е маркиран със символа за рециклиране .

Различните опаковъчни материали трябва да бъдат изхвърлени отговорно и в съответствие с наредбите на местните органи за изхвърляне на отпадъци.

ИЗХВЪРЛЯНЕ НА ЕЛЕКТРОУРЕДИ

Този уред е произведен с материали, годни за рециклиране или за повторно използване. При изхвърлянето му спазвайте местните разпоредби за изхвърляне на отпадъци. За допълнително информация относно третирането, оползотворяването и рециклирането на домакински електроуреди се обърнете към компетентните местни органи, службата за битови отпадъци или магазина, откъдето сте закупили уреда. Този уред е маркиран в съответствие с Европейска директива 2012/19/ЕС, Отпадъчно електрическо и електронно оборудване (WEEE) и с правилата за отпадъчно електрическо и електронно оборудване от 2013 г. (с измененията).

Като се погрижите продуктът да бъде изхвърлен по правилен начин, Вие ще помогнете за предотвратяване на възможните негативни последици за околната среда и здравето на хората.

Символът  върху уреда или придружаващата го документация показва, че този уред не трябва да се третира като битов отпадък, а да бъде предаден в съответния събирателен пункт, предназначен за рециклиране на електрическа и електронна апаратура.

СЪВЕТИ ЗА ИКОНОМИЯ НА ЕНЕРГИЯ

Възползвайте се максимално от остатъчната топлина на котлона, като я изключите няколко минути, преди да сте завършили готвенето.

Основата на Вашата тенджерка или тиган трябва изцяло да покрива котлона; използването на съд, чиято площ е по-малка от тази на котлона, ще доведе до загуба на енергия.

По време на готвене покривайте тенджерите и тиганите с подходящи капаци и използвайте възможно най-малко вода. Готвенето без капак ще увеличи значително потреблението на енергия.

Използвайте само тенджери и тигани с плоско дъно.

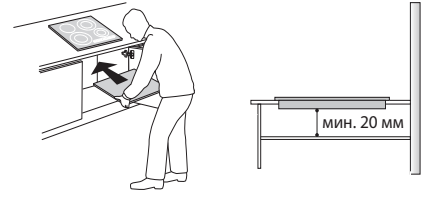
ДЕКЛАРАЦИЯ ЗА СЪОТВЕТСТВИЕ

Този уред отговаря на изискванията за екодизайн на Европейски регламент 66/2014 и Регламенти за екодизайн за енергийни продукти и енергийна информация (изменение) (ЕС изход) 2019, в съответствие с Европейски стандарт EN 60350-2.



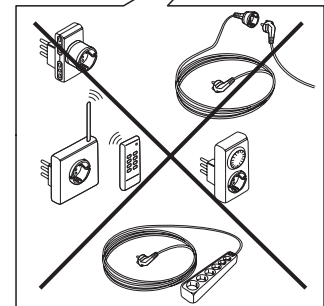
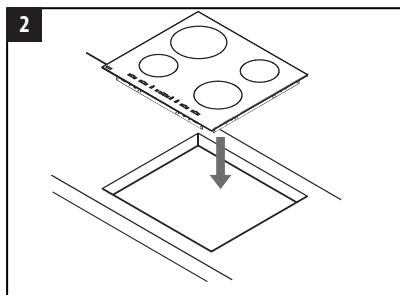
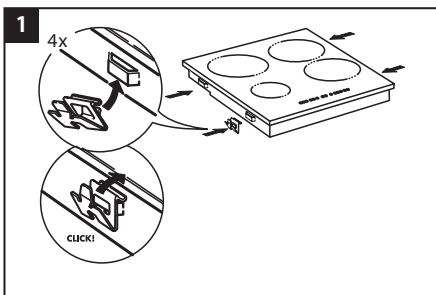
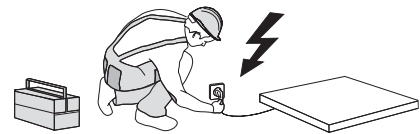
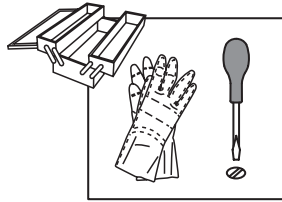
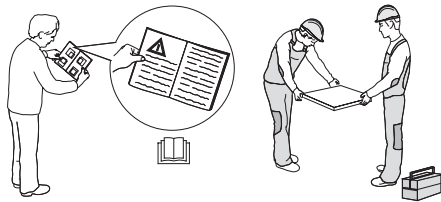
МОНТИРАНЕ

- Плотът за готвене трябва да бъде поставен в работен плот с дебелина най-малко 20 мм.
- В пространството между плота и кухнята не трябва да има нищо (напречни релси, носачи и др.).
- Уверете се, че захранващият кабел е достатъчно дълъг, за да позволи удобно инсталиране.
- Разстоянието между долната повърхност на стъклокерамичния плот и шкафа или разделящата плоскост трябва да бъде поне 20 мм.
- За размерите и монтажа на уреда за вграждане вижте изображението в този раздел.
- Между готварския плот и аспиратора над него трябва да се поддържа минимално разстояние. За допълнителна информация вижте ръководството за потребителя на аспиратора.
- След като сте почистили повърхността на плота, поставете доставения в комплекта уплътнител (освен ако той вече не е бил поставен).
- **Не монтирайте плот за готвене над съдомиялна или перална машина така, че електронните вериги да не влизат в контакт с пара или влага, които могат да ги повредят.**
- Ако фурна бъде монтирана под готварски плот, се уверете, че тя разполага със система за охлаждане. Ако температурата на електронните вериги превиши максимално допустимата температура, готварският плот ще се изключи автоматично; в този случай изчакайте няколко минути, докато вътрешната температура на електронните вериги достигне нормално ниво, като в този момент ще бъде възможно отново да включите плота.

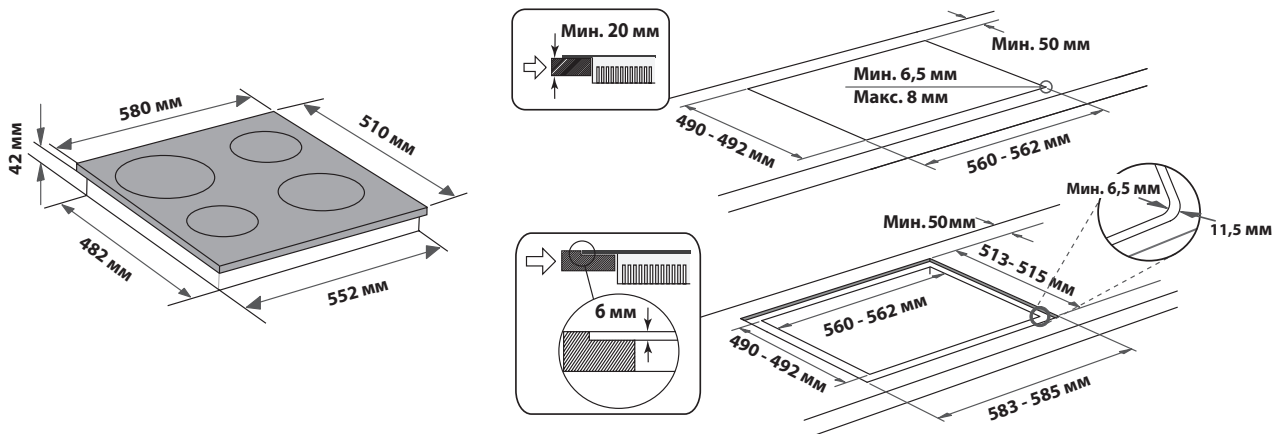
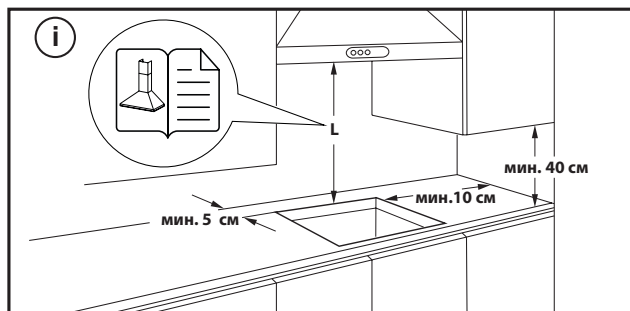


ПОСТАВЯНЕ НА ПЛОТА

След извършване на електрическите връзки (вижте глава "Свързване към електрическата мрежа"), поставете всяка от захващащите скоби на съответните места отстрани на плота, както е показано на изображението. След това вкарайте плота на мястото му и се уверете, че стъклото е плоско и успоредно спрямо кухненския плот. Захващащите скоби са подходящи за всеки вид материал за кухненски плотове (дърво, мрамор и др.).



РАЗМЕРИ И РАЗСТОЯНИЯ, КОИТО ДА СЕ ПОДДЪРЖАТ



СВАЛЯНЕ НА КОТЛОНА (ПЛОТА):

За да свалите котлона, първо го изключете от електрическото захранване. Настоятелно се препоръчва да освободите долната част от фурната, чекмеджето, сепаратора или други части. Тя позволява на техника достъп до долната част на котлона, за да разкопчае четирите скоби с отвертка, да повдигне котлона и да го свали, без да го повреди.

СВЪРЗВАНЕ КЪМ ЕЛЕКТРИЧЕСКАТА МРЕЖА

Електрическите свързвания трябва да се извършат преди свързването на уреда към електрическата мрежа.

Захранващият кабел не е включен в пакета - не забравяйте да подготвите свой собствен захранващ кабел.

Монтирането трябва да се извърши от квалифициран персонал, запознат с текущите нормативни разпоредби относно безопасността и монтирането.

Особено важно е монтажът да се извърши в съответствие с наредбите на местната електроснабдителна компания.

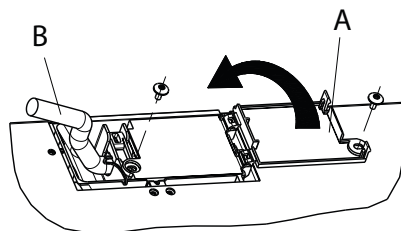
Уверете се, че напрежението, указано на табелката с номиналните данни, намираща се в долната част на уреда, е същото като това в дома Ви.

Заземяването на уреда е задължително по закон: използвайте проводници (включително заземяващия проводник) само с подходящ размер.

СВЪРЗВАНЕ КЪМ КЛЕМНИЯ БЛОК

За свързване към електрическата мрежа използвайте кабел тип H05RR-F или H05V2V2-F, както е посочено в таблицата по-долу.

ЗАХРАНВАЩО НАПРЕЖЕНИЕ	ПРОВОДНИЦИ БРОЙ x РАЗМЕР
220-240V ~ + 	3 x 4 мм ²
230-240V ~ + 	3 x 4 мм ² (само за Австралия)
220-240V 3~ + 	4 x 1,5 мм ²
380-415V 3N~ + 	5 x 1,5 мм ²
380-425V 2N~ + 	4 x 1,5 мм ²



Свържете уреда към електрозахранването посредством прекъсвач за всички полюси с минимална междина на контактите 3 mm.

ВНИМАНИЕ: захранващият кабел трябва да бъде достатъчно дълъг, за да може готварският плот да се извади от кухненския плот, и трябва да се постави така, че да се избегне повреждането или нагряването му при влизане в контакт с основата.

ЗАБЕЛЕЖКА: жълтият/зеленият заземяващ проводник трябва да бъде свързан към клемата със символ  и трябва да бъде по-дълъг от останалите проводници.

- Отстранете около 70 mm от обвивката на захранващия кабел (**B**).
- Отстранете около 10 mm от обвивката от проводниците. Вкарайте захранващия кабел в кабелната скоба и свържете проводниците към клемното табло, както е показано на схемата до самото клемно табло.
- Обезопасете захранващия кабел (**B**) със скобата за кабела.
- Затворете капака на клемното табло (**A**) и го обезопасете с предоставения винт.
- След извършване на електрическите връзки поставете плота за готвене отгоре и го окачете на опорните пружини, както е показано на илюстрацията.

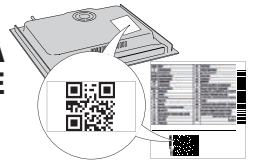


БЛАГОДАРИМ ВИ, ЧЕ ЗАКУПИХТЕ ПРОДУКТ НА WHIRLPOOL
За да получавате по-пълно съдействие, моля, регистрирайте вашия продукт на www.whirlpool.eu/register.

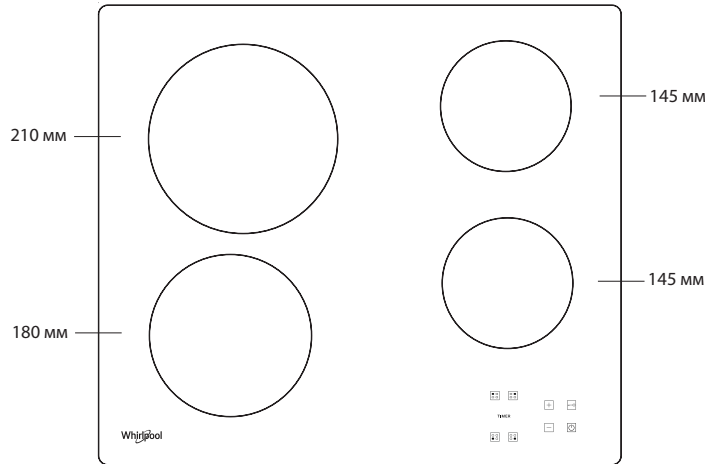


Преди да използвате уреда, прочетете внимателно инструкциите за безопасност.

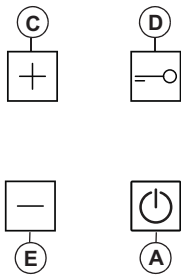
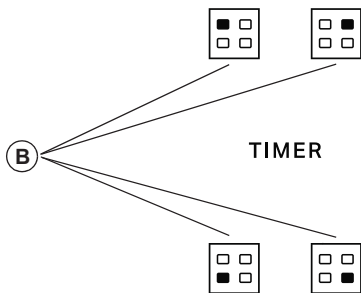
МОЛЯ, СКАНИРАЙТЕ QR КОДА НА ВАШИЯ УРЕД, ЗА ДА ПОЛУЧИТЕ ПОВЕЧЕ ИНФОРМАЦИЯ



ОПИСАНИЕ НА ИЗДЕЛИЕТО



ПАНЕЛ ЗА УПРАВЛЕНИЕ



- A** Включване/изключване
- B** Избор на зони за готвене и таймер
- C-E** Увеличаване и намаляване нивото на мощността
- D** Заклучване на бутоните

ИЗПОЛЗВАНЕ ЗА ПРЪВ ПЪТ

При монтиране за първи път контролният панел извършва функционален тест за около 1 секунда, след който автоматично се включва функцията "Заклучване на бутоните".

За да деактивирате функцията, натиснете и задръжте бутона "D"; ще прозвучи

звук сигнал и съответната светодиодна лампичка ще се изключи.

ЗАБЕЛЕЖКА: В случай на пренастройване повторете процедурата, описана по-горе.

ВСЕКИДНЕВНА УПОТРЕБА



ВКЛЮЧВАНЕ/ИЗКЛЮЧВАНЕ НА ПЛОЧАТА ЗА ГОТВЕНЕ

За да включите плочата за готвене, задръжте натиснат бутона "A" за около 2 секунди. На дисплеите на 4-те зони за готвене се показва "0". Ако в рамките на 20 секунди не се активира никоя от зоните за готвене, плочата за готвене се изключва автоматично като предпазна мярка.

АКТИВИРАНЕ И РЕГУЛИРАНЕ НА ЗОНИТЕ НА ГОТВЕНЕ

Натиснете един от бутоните "B", съответстващ на зоната за готвене, която възнамерявате да използвате. Изберете необходимата настройка на топлината с бутоните "E" или "C". Другите избираеми настройки за готвене са в диапазона от 1 до 9. Натиснете едновременно бутоните "+/-" за отмяна на всички настройки.

ВАЖНО: контролата се деактивира 10 секунди след избиране на настройката за топлината.

За да промените настройката за топлината, първо натиснете отново бутона за избиране "B", след което продължете с промяната на настройката, като използвате бутоните "E" или "C".

ТАЙМЕР

За да зададете функцията за таймера, изберете необходимата зона за готвене и настройката на мощността, след което натиснете отново бутона на зоната за готвене и на дисплея на контролираната с таймера зона ще се покаже светеща точка. На 2-та дисплея премигва "00". Натиснете бутоните "C" или "E", за да зададете времето от 1 до 99.

ВАЖНО: след 10 секунди на дисплея на таймера ще се покаже настройката на мощността на другите зони за готвене.

За да видите оставащото време на готвене, натиснете двукратно бутона на контролираната с таймера зона за готвене.

ФУНКЦИЯ "A"

Тази функция позволява автоматично намаляване на нивото на мощност на зоната за готвене от най-високата стойност (ниво 9) до избраната от потребителя за по-късен етап на готвене.

За да активирате тази функция, първо натиснете бутона "+", когато достигнете ниво 9.

Дисплеят показва "A" и "9" мига последователно с ниска яркост.

В този момент изберете желаното ниво на мощност (по-малко от 9) с бутон “-”.

“А” и избраното ниво мигат последователно с ниска яркост на дисплея. Функцията се активира, след като “А” и избраното ниво започнат да мигат последователно с висока яркост на дисплея.

След като “А” вече не се вижда на дисплея (функцията “А” се изключва автоматично след няколко минути в зависимост от зададеното ниво на мощност), процесът на готвене продължава с по-ниска мощност и дисплеят показва само избраното ниво на мощност.

ВНИМАНИЕ: тази функция не е възможна при ниво 9.



ЗАКЛЮЧВАНЕ НА БУТОНИТЕ

Функцията Закл. на бутоните се включва чрез натискане и задържане на бутон “D”, докато над бутоната на функцията светне точка. Панелът за управление е заключен, с изключение на функцията за изключване. Функцията остава включена дори след изключване и повторно включване на плочата за готвене и може да се деактивира, като се натисне отново бутонът “D”, докато точката над бутоната на функцията изгасне.

Когато плотът е изключен с активирано заключване на бутоните, за да включите плочата, първо деактивирайте функцията за заключване на бутоните, като натиснете отново бутон “D”, докато изгасне точката над функционалния бутон.

Наличието на вода, течност, разлята от тенджери или други предмети, които лежат върху органите за управление, може случайно да активира или дезактивира заключването на бутоните.



ИНДИКАТОР ЗА ОСТАТЪЧНА ТОПЛИН

Когато зоната за готвене се изключи, индикаторът за остатъчна топлина “Н” остава включен или премигва, редувайки се с “0”, докато температурата на плочата за готвене се върне в рамките на безопасните нива.

ВАЖНО: Характеристиките за безопасност на плочата за готвене включват функция за автоматично изключване. Продължителното използване на същата настройка за топлина задейства автоматично изключване на зоната за готвене (например след около 1 час при максималната настройка на топлината зоната за готвене се изключва).

ВАЖНО: За да избегнете необратими повреди на плота:

- използвайте само съдове с плоски дъна;
- не използвайте метални съдове с емайлирани дъна;
- не поставяйте горещи тенджери или тигани над контролния панел.

Котлонът е оборудван и с функцията “auto shut off” (автоматично изключване), която изключва зоната за готвене, ако не се направи промяна на нивото на мощност след определен период от време в зависимост от самата настройка на мощността. В таблицата е дадено времетраенето за всяко ниво на мощност.

НИВО НА МОЩНОСТ	ВРЕМЕ ЗА АВТОМАТИЧНО ИЗКЛЮЧВАНЕ
0	30 секунди
1	10 часа
2	5 часа
3	5 часа
4	4 часа
5	3 часа
6	2 часа
7	2 часа
8	2 часа
9	1 час

ТАБЛИЦА ЗА ГОТВЕНЕ

НИВО НА МОЩНОСТТА		ВИД ГОТВЕНЕ	НИВО НА ИЗПОЛЗВАНЕ (индикация за подпомагане на опита и навиците при готвене)
Максимална мощност	9	Завиране	Подходящо за бързо увеличаване на температурата на храните за бързо завиране, ако се касае за вода, или бързо загряване на течности за готвене.
	9 – 8	Изсушаване	Идеално за запичане, започване на готвене, пържене на замразени продукти, бързо кипване.
Висока мощност	8 – 7	Запичане – поддържане на варенето – печене	Идеално за запичане, поддържане на високо ниво на варене, готвене и печене (кратковременно, 5-10 минути).
	7 – 6	Пържене – готвене – печене	Идеално за поддържане на ниско ниво на варене, готвене и печене (със средна продължителност, 10-20 минути), предварително загряване и пържене.
Средна мощност	6 – 5	Леко пържене	Идеално за пържене на яйца, омлети.
	5 – 4	Готвене – изсушаване – задушаване	Идеално за продължително готвене (ориз, сосове, печено, риба) с наличие на течности (напр. вода, вино, бульон, мляко), размесване на макаронени изделия.
	4 – 3	Сгъстяване – размесване на макаронени изделия	
Ниска мощност	2 – 1	Поддържане на храната гореща – размесване на ризото	Идеално за поддържане на току-що приготвена храна гореща (например сосове, супи, минестроне), размесване на ризото и поддържане на ястията за поднасяне топли.
Минимална мощност	1	Размразяване	Идеално за размразяване на продукти с малки размери и леко разтопяване на шоколад или краве масло.
Мощност нула	0	–	Готварският плот е в режим на готовност или е изключен (възможно е да е горещ след готвене, за което сигнализира символът “Н”).

ПОЧИСТВАНЕ И ПОДДРЪЖКА

⚠ Изключете уреда от електрозахранването.

- Не използвайте уреди за почистване с пара.
- Не използвайте абразивни гъби или тел, тъй като може да повредите стъклото.
- След всяко използване почиствайте готварския плот (когато изстине), за да отстраните остатъците и петната, дължащи се на останки от храни.
- Захар или храни с високо съдържание на захар могат да повредят

готварския плот и трябва да се отстраняват незабавно.

- Солта, захарта и пясъкът могат да надраскат стъклената повърхност.
- Използвайте мека кърпа, попиваща кухненска салфетка или специален почистващ препарат за готварски плотове (спазвайте инструкциите на производителя).
- При разливане на течност върху нагревателна зона съдовете може да започнат да се преместват или да вибрират.
- Подсушавайте добре повърхността на плота след почистването ѝ.

ОТСТРАНЯВАНЕ НА НЕИЗПРАВНОСТИ

Ако готварският плот не работи като трябва, преди да позвъните на отдела за следпродажбено сервизно обслужване, вижте ръководството за отстраняване на неизправности, за да установите проблема.

- Прочетете и следвайте инструкциите, дадени в раздел "Всекидневна употреба".
- Проверете дали има напрежение в електрическата мрежа.
- Подсушете ли плочата след почистването ѝ.
- Ако е избрана зона за готвене и на дисплея се появи "F" или "ER", последвано от число, се свържете със сервиза за следпродажбено обслужване и ги информирайте.
- Ако кодът за грешка е "F03", "ER03" или "E02", се опитайте да решите проблема, като използвате следните указания:
 - Ако се появи грешка "E02", моля, уверете се, че не сте натискали бутоните за повече от 5 секунди, няма предмет в областта на панела за управление и че той е чист и сух – когато почиствате, моля, следвайте указанията в параграфа за почистване и поддръжка.
 - Ако се появи грешка "F03", се опитайте да изключите и отново да включите котлона.
 - Ако се появи грешка "F04", се свържете със сервиза за следпродажбено обслужване и ги информирайте кой код се е появил на дисплея.

- Ако плочата за готвене не работи след интензивно използване, то вътрешната температура на плочата е твърде висока. Изчакайте няколко минути, докато плочата за готвене се охлади.
- Ако нагревателят не е включен непрекъснато, а се включва и изключва циклично, дори ако на дисплея нивото на мощността не се променя, това е част от нормалното функциониране на плота. Цикълът на включване/изключване позволява регулиране на мощността на нагревателя и е напълно нормален. В някои случаи термичната защита може да изключи нагревателя за известно време, за да се избегне повреждане на стъклото. Примери за такива случаи са: готвене дълго време на висока мощност, като използвате тенджери, по-малки от нагревателния елемент, както и тенджери с неплоско дъно.
- Ако плотът издава кратък звук, без клиентът да натиска бутони, моля, внимавайте за разливане на течност върху панела за управление. Моля, подсушете панела за управление и продължете използването на котлона. Ако плотът е изключен автоматично, това може да се дължи на наличие на течност в панела за управление. Моля, подсушете панела за управление и включете котлона отново.

Ако след извършване на горепосочените проверки неизправността все още продължава, свържете се с най-близкия отдел за следпродажбено обслужване.

СЛЕДПРОДАЖБЕНО ОБСЛУЖВАНЕ

За да получавате по-пълно съдействие, регистрирайте Вашия уред на www.whirlpool.eu/register.

ПРЕДИ ДА СЕ ОБАДИТЕ НА ОТДЕЛА ЗА СЛЕДПРОДАЖБЕНО ОБСЛУЖВАНЕ:

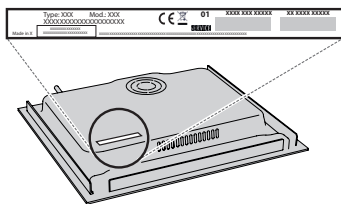
1. Проверете дали можете да отстраните сами проблема с помощта на предложенията, дадени в раздела **ОТСТРАНЯВАНЕ НА НЕИЗПРАВНОСТИ**.
2. Изключете уреда и го включете отново, за да проверите дали неизправността е отстранена.

АКО СЛЕД ИЗВЪРШВАНЕ НА ГОРЕПОСОЧЕНИТЕ ПРОВЕРКИ НЕИЗПРАВНОСТТА ВСЕ ОЩЕ НЕ Е ОТСТРАНЕНА, СВЪРЖЕТЕ СЕ С НАЙ-БЛИЗКИЯ ОТДЕЛ ЗА СЛЕДПРОДАЖБЕНО ОБСЛУЖВАНЕ.

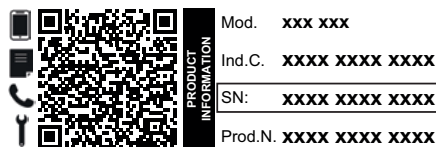
За да получите съдействие, се обадете на номера, написан на книжката за гаранция, или следвайте инструкциите на уебсайта www.whirlpool.eu.

Когато се свържете с отдела за следпродажбено обслужване, винаги посочвайте:

- кратко описание на неизправността;
- точния тип и модел на уреда;



- сериен номер (номерът след думата SN на табелката с номинални данни, разположена под уреда). Сериеният номер е посочен също и в документацията;



- Вашия пълен адрес;
- Вашия телефонен номер.

Ако се налагат някакви поправки, моля, свържете се с оторизиран отдел за следпродажбено обслужване (за да бъдете сигурни, че ще бъдат използвани оригинални резервни части и поправките ще бъдат извършени правилно).

Фирмените политики, стандартната документация и допълнителна информация за уреда можете да намерите, като:

- Използвайте QR кода на вашето устройство;
- Посетите нашия уебсайт docs.whirlpool.eu;
- Или като се свържете с отдела за следпродажбено обслужване (вижте телефонния номер в гаранционната книжка). При контакт с отдела за следпродажбено обслужване съобщавайте кодовете, посочени на идентификационната табелка на вашия уред.



ΟΔΗΓΙΕΣ ΓΙΑ ΤΗΝ ΑΣΦΑΛΕΙΑ

ΣΗΜΑΝΤΙΚΟ! ΔΙΑΒΑΣΤΕ ΚΑΙ ΤΗΡΕΙΤΕ

Κατεβάστε το πλήρες εγχειρίδιο οδηγιών από την ιστοσελίδα <http://docs.whirlpool.eu> ή καλέστε τον αριθμό που υπάρχει στο βιβλιαράκι εγγύησης.

Πριν χρησιμοποιήσετε τη συσκευή, διαβάστε αυτές τις οδηγίες για την ασφάλεια. Φυλάξτε τις οδηγίες σε κοντινό σημείο για μελλοντική αναφορά.

Αυτές οι οδηγίες και η συσκευή περιλαμβάνουν σημαντικές προειδοποιήσεις σχετικά με την ασφάλεια, τις οποίες πρέπει να τηρείτε σε κάθε περίπτωση. Ο κατασκευαστής δεν φέρει καμία ευθύνη για τη μη τήρηση αυτών των οδηγιών ασφαλείας, για ακατάλληλη χρήση της συσκευής ή λανθασμένη ρύθμιση των χειριστηρίων.

⚠ ΠΡΟΕΙΔΟΠΟΙΗΣΗ: Αν η επιφάνεια της εστίας είναι ραγισμένη, μην χρησιμοποιείτε τη συσκευή - κίνδυνος ηλεκτροπληξίας.

⚠ ΠΡΟΕΙΔΟΠΟΙΗΣΗ: Κίνδυνος πυρκαγιάς: μην αποθηκεύετε στοιχεία στις επιφάνειες μαγειρέματος.

⚠ ΠΡΟΣΟΧΗ: Η διαδικασία μαγειρέματος πρέπει να παρακολουθείται. Μια σύντομη διαδικασία μαγειρέματος πρέπει να παρακολουθείται συνεχώς.

⚠ ΠΡΟΕΙΔΟΠΟΙΗΣΗ: Είναι επικίνδυνο να μαγειρεύετε με λίπη ή λάδι σε εστία χωρίς επιτήρηση - κίνδυνος πυρκαγιάς. ΠΟΤΕ μην προσπαθείτε να σβήσετε τη φωτιά με νερό: αντίθετα, σβήστε τη συσκευή και στη συνέχεια καλύψτε τις φλόγες π.χ. με ένα καπάκι ή με μια πυρίμαχη κουβέρτα.

⚠ Μην χρησιμοποιείτε τη μονάδα εστιών ως επιφάνεια εργασίας. Διατηρείται τα ρούχα ή άλλα εύφλεκτα υλικά μακριά από τη συσκευή, έως ότου όλα τα εξαρτήματα να έχουν κρυώσει εντελώς - κίνδυνος πυρκαγιάς.

⚠ Κρατήστε τα μικρά παιδιά (0-3 ετών) μακριά από τη συσκευή. Κρατήστε τα μικρά παιδιά (3-8 ετών) μακριά από τη συσκευή εκτός εάν επιτηρούνται διαρκώς. Η συσκευή μπορεί να χρησιμοποιηθεί από παιδιά ηλικίας 8 ετών και άνω ή άτομα με μειωμένες σωματικές, αισθητηριακές ή διανοητικές ικανότητες ή με έλλειψη εμπειρίας και γνώσης της συσκευής, εφόσον βρίσκονται υπό επιτήρηση ή έχουν λάβει οδηγίες σχετικά με την ασφαλή χρήση της συσκευής και κατανοούν τους κινδύνους που συνεπάγεται. Τα παιδιά απαγορεύεται να παίζουν με τη συσκευή. Εργασίες καθαρισμού και συντήρησης του χρήστη δεν πρέπει να εκτελούνται από παιδιά χωρίς επιτήρηση.

⚠ ΠΡΟΕΙΔΟΠΟΙΗΣΗ: Η συσκευή και τα προσβάσιμα εξαρτήματά της μπορεί να ζεσταθούν κατά τη διάρκεια της χρήσης. Πρέπει να είστε προσεκτικοί, ώστε να αποφεύγετε τυχόν επαφή με τις αντιστάσεις. Τα παιδιά κάτω των 8 ετών δεν πρέπει να πλησιάζουν τη συσκευή, εκτός εάν επιτηρούνται διαρκώς.

ΕΠΙΤΡΕΠΟΜΕΝΗ ΧΡΗΣΗ

⚠ ΠΡΟΣΟΧΗ: Η συσκευή δεν προορίζεται για χρήση σε συνδυασμό με εξωτερικό χρονοδιακόπτη ή ξεχωριστό σύστημα απομακρυσμένου ελέγχου.

⚠ Η συσκευή αυτή έχει σχεδιαστεί για οικιακή χρήση καθώς και για παρόμοιες χρήσεις όπως: κουζίνες προσωπικού σε καταστήματα, γραφεία και άλλους χώρους εργασίας, αγροκτήματα, από πελάτες σε ξενοδοχεία, μοτέλ, bed & breakfast και άλλους χώρους κατοικίας.

⚠ Απαγορεύεται οποιαδήποτε άλλη χρήση (π.χ. θέρμανση δωματίων).

⚠ Αυτή η συσκευή δεν προορίζεται για επαγγελματική χρήση. Μην χρησιμοποιείτε τη συσκευή σε εξωτερικό χώρο.

ΕΓΚΑΤΑΣΤΑΣΗ

⚠ Ο χειρισμός και η εγκατάσταση της συσκευής πρέπει να γίνονται από δύο ή περισσότερα άτομα - κίνδυνος τραυματισμού. Χρησιμοποιείτε γάντια προστασίας για να αφαιρέσετε τη συσκευασία και να κάνετε την εγκατάσταση - κίνδυνος κοψίματος.

⚠ Η εγκατάσταση, συμπεριλαμβανομένης της παροχής νερού (εάν υπάρχει), τις ηλεκτρικές συνδέσεις και τις επισκευές, πρέπει να πραγματοποιούνται από τεχνικά εξειδικευμένο προσωπικό. Μην επισκευάζετε και μην αντικαθιστάτε κανένα εξάρτημα της συσκευής, εκτός εάν αναφέρεται ρητά στο εγχειρίδιο χρήσης. Κρατήστε τα παιδιά μακριά από το χώρο εγκατάστασης. Μετά από την αποσυσκευασία της συσκευής, βεβαιωθείτε ότι δεν έχει προκληθεί ζημιά σε αυτήν κατά τη μεταφορά. Εάν παρουσιαστεί κάποιο πρόβλημα, επικοινωνήστε με τον αντιπρόσωπο ή με το πλησιέστερο Κέντρο Τεχνικής Υποστήριξης. Μετά την εγκατάσταση, τα υλικά συσκευασίας (πλαστικά, φελιζόλ, κ.λπ.) πρέπει να φυλάσσονται μακριά από τα παιδιά - κίνδυνος ασφυξίας. Η συσκευή πρέπει να αποσυνδέεται από την ηλεκτρική τροφοδοσία πριν από κάθε εργασία εγκατάστασης - κίνδυνος ηλεκτροπληξίας. Κατά την εγκατάσταση, βεβαιωθείτε ότι δεν έχει προκληθεί ζημιά στο καλώδιο τροφοδοσίας από τη συσκευή - κίνδυνος πυρκαγιάς ή ηλεκτροπληξίας. Ενεργοποιήστε τη συσκευή μόνο εφόσον ολοκληρωθεί η εγκατάσταση.

⚠ Εκτελέστε όλες τις εργασίες κοπής πριν τοποθετήσετε το φούρνο στο έπιπλο και αφαιρέστε όλα τα ροκανίδια και τα πριονίδια.

⚠ Αν η συσκευή δεν εγκατασταθεί πάνω σε ένα φούρνο, πρέπει να τοποθετηθεί ένα διαχωριστικό πάνελ (δεν περιλαμβάνεται) στο χώρο κάτω από τη συσκευή.

ΗΛΕΚΤΡΙΚΕΣ ΠΡΟΕΙΔΟΠΟΙΗΣΕΙΣ

⚠ Πρέπει να είναι δυνατή η αποσύνδεση της συσκευής από την ηλεκτρική τροφοδοσία με αφαίρεση του φικς εάν η πρίζα είναι προσβάσιμη ή με χρήση του πολυπολικού διακόπτη που έχει εγκατασταθεί πριν από την πρίζα σύμφωνα με τα εθνικά πρότυπα ηλεκτρικής ασφαλείας και η συσκευή πρέπει να διαθέτει γείωση με βάση τα εθνικά πρότυπα ασφαλείας.

⚠ Μη χρησιμοποιείτε καλώδια προέκτασης (μπαλαντέζες), πολύπριζα ή προσαρμογείς. Μετά την ολοκλήρωση της εγκατάστασης, δεν πρέπει να είναι δυνατή η πρόσβαση στα ηλεκτρικά εξαρτήματα. Μη χρησιμοποιείτε τη συσκευή όταν είστε βρεγμένος ή με γυμνά πόδια. Μη χρησιμοποιήσετε τη συσκευή εάν έχει φθαρεί το ηλεκτρικό καλώδιο ή το φις, εάν δεν λειτουργεί κανονικά, εάν έχει πέσει ή εάν έχει υποστεί άλλη ζημιά.

⚠ Δεν επιτρέπεται η εγκατάσταση με βύσμα καλωδίου τροφοδοσίας, εκτός εάν το προϊόν είναι ήδη εξοπλισμένο με αυτό που παρέχεται από τον κατασκευαστή.


⚠ Εάν το καλώδιο τροφοδοσίας έχει υποστεί ζημιά, πρέπει να αντικατασταθεί από τον κατασκευαστή, τον αντιπρόσωπο τεχνικής υποστήριξης ή άλλα καταρτισμένα άτομα, ώστε να αποφευχθούν τυχόν κίνδυνοι - κίνδυνος ηλεκτροπληξίας.

ΣΥΝΤΗΡΗΣΗ ΚΑΙ ΚΑΘΑΡΙΣΜΟΣ

⚠ ΠΡΟΕΙΔΟΠΟΙΗΣΗ: Πριν από οποιαδήποτε εργασία συντήρησης, βεβαιωθείτε ότι η συσκευή είναι σβηστή και αποσυνδεδεμένη από το δίκτυο τροφοδοσίας. Ποτέ μην χρησιμοποιείτε συσκευές καθαρισμού με ατμό - κίνδυνος ηλεκτροπληξίας.

⚠ Μη χρησιμοποιείτε αποξεστικά ή διαβρωτικά προϊόντα, καθαριστικά με βάση τη χλωρίνη ή συρμάτινα σφουγγαράκια.


ΑΠΟΡΡΙΨΗ ΥΛΙΚΩΝ ΣΥΣΚΕΥΑΣΙΑΣ

Τα υλικά της συσκευασίας είναι 100% ανακυκλώσιμα και φέρουν το σύμβολο της ανακύκλωσης .

Συνεπώς, τα διάφορα υλικά συσκευασίας πρέπει να απορρίπτονται υπεύθυνα και με πλήρη συμμόρφωση των κανονισμών των τοπικών αρχών που διέπουν την απόρριψη απορριμμάτων.

ΑΠΟΡΡΙΨΗ ΗΛΕΚΤΡΙΚΩΝ ΟΙΚΙΑΚΩΝ ΣΥΣΚΕΥΩΝ

Η συσκευή αυτή έχει κατασκευαστεί από ανακυκλώσιμα ή επαναχρησιμοποιήσιμα υλικά. Απορρίψτε σύμφωνα με τους τοπικούς κανονισμούς περί απόρριψης των απορριμμάτων. Για περαιτέρω πληροφορίες σχετικά με την επεξεργασία, την ανάκτηση και την ανακύκλωση των ηλεκτρικών οικιακών συσκευών, επικοινωνήστε με τις αρμόδιες τοπικές αρχές, την υπηρεσία συλλογής οικιακών αποβλήτων ή το κατάστημα από όπου αγοράσατε αυτό το προϊόν. Αυτή η συσκευή επισμαίεται σύμφωνα με την Ευρωπαϊκή Οδηγία 2012/19/ΕΕ, Απόβλητα Ηλεκτρικού και Ηλεκτρονικού Εξοπλισμού (ΑΗΗΕ) και με τους κανονισμούς 2013 για τα Απόβλητα Ηλεκτρικού και Ηλεκτρονικού Εξοπλισμού (όπως τροποποιήθηκε). Εξασφαλίζοντας τη σωστή απόρριψη αυτού του προϊόντος, θα βοηθήσετε στην αποτροπή των πιθανά βλαβερών συνεπειών για το περιβάλλον και την ανθρώπινη υγεία.

Το σύμβολο  στο προϊόν ή στα συνοδευτικά έντυπα υποδεικνύει ότι πρέπει να αντιμετωπίζεται ως οικιακό απόρριμμα αλλά πρέπει να μεταφέρετε στο κατάλληλο κέντρο συλλογής για ανακύκλωση ηλεκτρονικού και ηλεκτρικού εξοπλισμού.

ΣΥΜΒΟΥΛΕΣ ΓΙΑ ΕΞΟΙΚΟΝΟΜΗΣΗ ΕΝΕΡΓΕΙΑΣ

Αξιοποιήστε στο έπακρο την υπολειπόμενη θερμότητα της ζεστής εστίας σβήνοντάς την μερικά λεπτά πριν ολοκληρωθεί το μαγείρεμα.

Η βάση της κατσαρόλας ή του τηγανιού πρέπει να καλύπτει εντελώς τη ζεστή εστία. Ένα μικρότερο δοχείο από την εστία προκαλεί άσκοπη απώλεια ενέργειας.

Σκεπάζετε τις κατσαρόλες και τα τηγάνια σας κατά το μαγείρεμα με καπάκια σφιχτής εφαρμογής και χρησιμοποιείτε όσο λιγότερο νερό μπορείτε. Το μαγείρεμα χωρίς καπάκι αυξάνει σε μεγάλο βαθμό την κατανάλωση ενέργειας.

Χρησιμοποιείτε μόνο κατσαρόλες και τηγάνια με επίπεδη βάση.

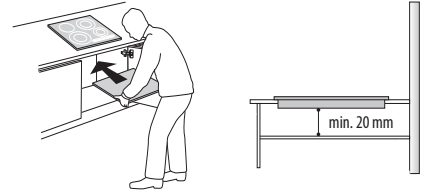
ΔΗΛΩΣΗ ΣΥΜΜΟΡΦΩΣΗΣ

Η συσκευή αυτή πληροί τις απαιτήσεις οικολογικού σχεδιασμού του Ευρωπαϊκού κανονισμού 66/2014 και τον οικολογικό σχεδιασμό για σχετικά με την ενέργεια προϊόντα και ενεργειακές πληροφορίες (Τροποποίηση) (ΕΕ Exit) Κανονισμού 2019, σύμφωνα με το Ευρωπαϊκό πρότυπο EN 60350-2.



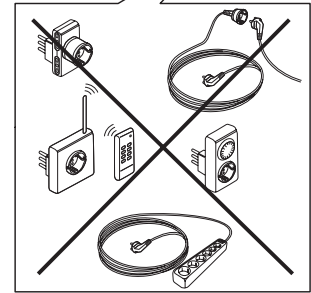
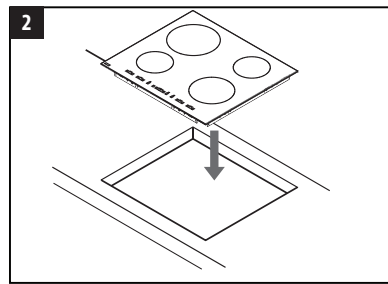
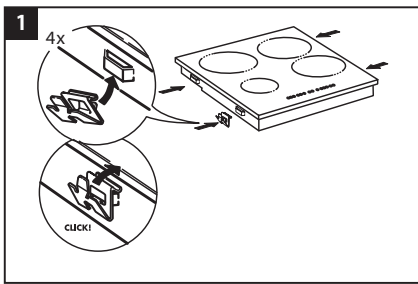
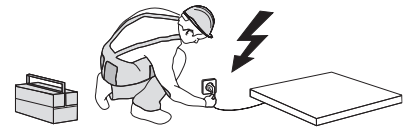
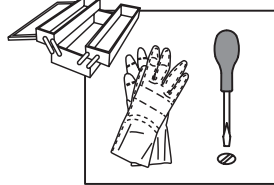
ΕΓΚΑΤΑΣΤΑΣΗ

- Η εστία πρέπει να τοποθετηθεί σε πάγκο βάθους τουλάχιστον 20 mm.
- Δεν πρέπει να υπάρχει τίποτα ανάμεσα στην επιφάνεια ψησίματος και του φούρνου (διασταυρωμένες ράγες, βραχίονες κ.λπ.).
- Βεβαιωθείτε ότι το καλώδιο τροφοδοσίας είναι αρκετά μακρύ για εύκολη εγκατάσταση.
- Η απόσταση μεταξύ της κάτω επιφάνειας της γυάλινης κεραμικής εστίας και του ντουλαπιού ή το διαχωριστικό πάνελ πρέπει να είναι τουλάχιστον 20 mm.
- Για τις διαστάσεις ενσωμάτωσης και την εγκατάσταση, δείτε την εικόνα στην παρούσα παράγραφο.
- Πρέπει να διατηρείται μια ελάχιστη απόσταση μεταξύ της εστίας και του απορροφητήρα που βρίσκεται από πάνω. Ανατρέξτε στο εγχειρίδιο χρήσης του απορροφητήρα για περισσότερες πληροφορίες.
- Εφαρμόστε το παρεχόμενο παρέμβυσμα στην μονάδα εστιών (εκτός εάν έχει ήδη τοποθετηθεί), αφού καθαρίσετε την επιφάνεια.
- **Μην τοποθετείτε την μονάδα εστιών κοντά σε πλυντήριο πιάτων ή στο πλυντήριο ρούχων, έτσι ώστε τα ηλεκτρονικά κυκλώματα να μην έρχονται σε επαφή με ατμό ή υγρασία, κάτι που θα μπορούσε να προκαλέσει ζημιά σε αυτά.**
- Αν ένας φούρνος είναι εγκατεστημένος κάτω από την μονάδα εστιών, βεβαιωθείτε ότι είναι εξοπλισμένος με σύστημα ψύξης. Εάν η θερμοκρασία των ηλεκτρονικών κυκλωμάτων υπερβαίνει τη μέγιστη επιτρεπόμενη θερμοκρασία, η μονάδα εστιών θα απενεργοποιηθεί αυτόματα. Σε αυτή την περίπτωση, περιμένετε λίγα λεπτά έως ότου η εσωτερική θερμοκρασία των ηλεκτρονικών κυκλωμάτων να φτάσει σε ένα αποδεκτό επίπεδο, στο οποίο θα είναι δυνατό να ανάψετε ξανά τη μονάδα εστιών.

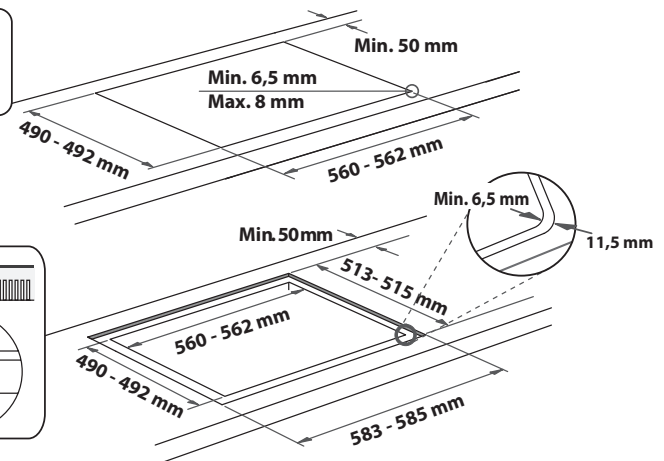
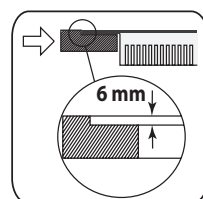
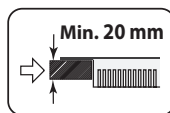
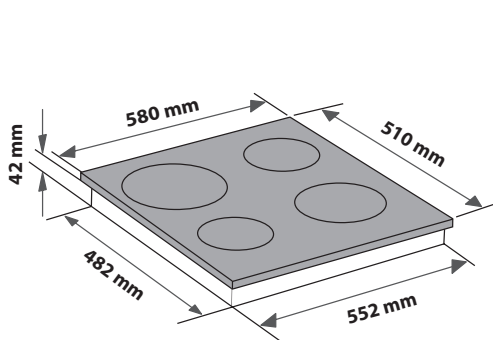
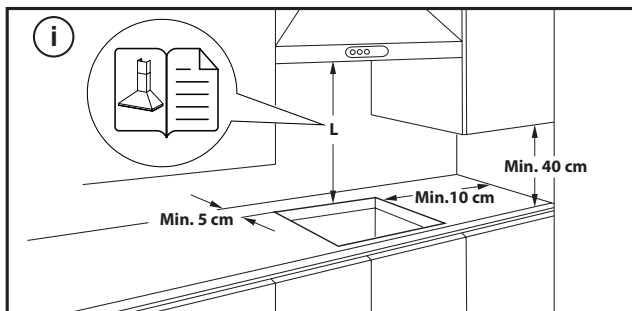


ΤΟΠΟΘΕΤΗΣΗ ΤΗΣ ΜΟΝΑΔΑΣ ΕΣΤΙΩΝ

Μετά την ηλεκτρική σύνδεση (βλ. κεφάλαιο "Ηλεκτρική σύνδεση"), τοποθετήστε κάθε κλιπ στερέωσης στις ειδικές υποδοχές στα πλαίσια της μονάδας εστιών, όπως φαίνεται στην εικόνα. Στη συνέχεια, σπρώξτε τη μονάδα εστιών μέσα στο άνοιγμα και βεβαιωθείτε ότι το γυαλί είναι επίπεδο και παράλληλο με τον πάγκο. Τα κλιπ στερέωσης είναι σχεδιασμένα για κάθε είδους πάγκο (ξύλο, μάρμαρο κ.λπ.).



ΔΙΑΣΤΑΣΕΙΣ ΚΑΙ ΑΠΟΣΤΑΣΕΙΣ ΠΟΥ ΠΡΕΠΕΙ ΝΑ ΤΗΡΟΥΝΤΑΙ



ΑΦΑΙΡΕΣΗ ΤΗΣ ΕΣΤΙΑΣ:

Για να αφαιρέσετε την εστία, πρώτα αποσυνδέστε την από την παροχή ρεύματος. Συνιστάται ανεπιφύλακτα να ελευθερώσετε το κάτω μέρος από το φούρνο, το συρτάρι, το διαχωριστικό ή άλλο. Επιτρέπεται στον τεχνικό να έχει πρόσβαση στο κάτω μέρος της εστίας για να ξεσφίξει τα τέσσερα κλιπ με ένα κατασαβίδι, να σηκώσει την εστία και να την αφαιρέσει, αποφεύγοντας οποιαδήποτε ζημιά στον πάγκο εργασίας.

ΗΛΕΚΤΡΙΚΗ ΣΥΝΔΕΣΗ

Πριν συνδέσετε τη συσκευή στην τροφοδοσία ρεύματος, πρέπει να γίνει η ηλεκτρική σύνδεση.

Το καλώδιο τροφοδοσίας δεν περιλαμβάνεται στη συσκευασία - θυμηθείτε να προετοιμάσετε το δικό σας καλώδιο τροφοδοσίας.

Η εγκατάσταση πρέπει να πραγματοποιηθεί από εξειδικευμένο προσωπικό που γνωρίζει τους τρέχοντες κανονισμούς ασφαλείας και εγκατάστασης. Συγκεκριμένα, η εγκατάσταση πρέπει να πραγματοποιείται σύμφωνα με τους κανονισμούς της τοπικής εταιρείας παροχής ηλεκτρικής ενέργειας.

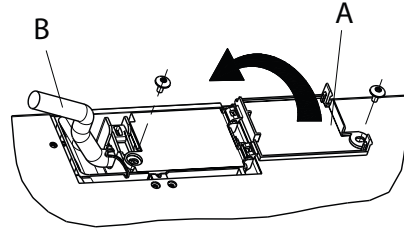
Βεβαιωθείτε ότι η τάση που καθορίζεται στην πινακίδα στοιχείων στο κάτω μέρος της συσκευής είναι η ίδια με την οικιακή.

Οι κανονισμοί απαιτούν τη γείωση της συσκευής: χρησιμοποιήστε καλώδια (συμπεριλαμβανομένου του καλωδίου γείωσης) κατάλληλου μεγέθους μόνο.

ΣΥΝΔΕΣΗ ΣΤΟΝ ΠΙΝΑΚΑ ΑΚΡΟΔΕΚΤΩΝ

Για ηλεκτρική σύνδεση, χρησιμοποιήστε ένα καλώδιο H05RR-F ή H05V2V2-F όπως καθορίζεται στον παρακάτω πίνακα.

ΤΑΣΗ ΠΑΡΟΧΗΣ	ΑΓΩΓΟΙ ΠΟΣΟΤΗΤΑ x ΜΕΓΕΘΟΣ
220-240V ~ + 	3 x 4 mm ²
230-240V ~ + 	3 x 4 mm ² (μόνο για την Αυστραλία)
220-240V 3~ + 	4 x 1,5 mm ²
380-415V 3N~ + 	5 x 1,5 mm ²
380-425V 2N~ + 	4 x 1,5 mm ²

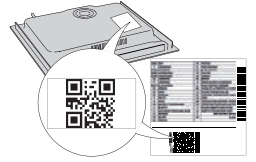
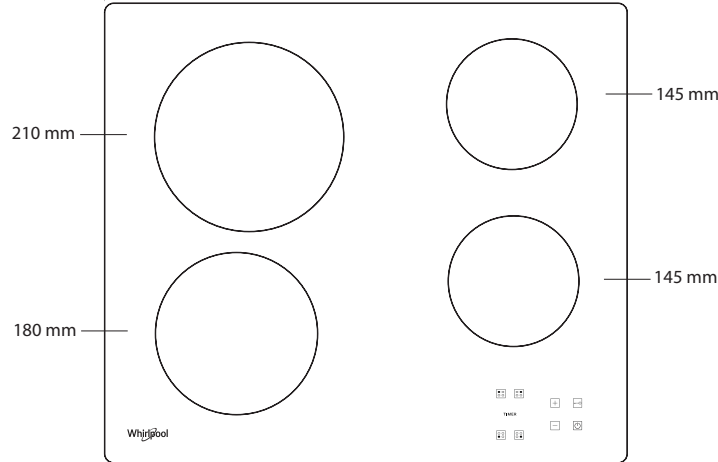
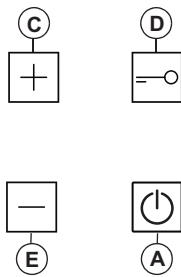
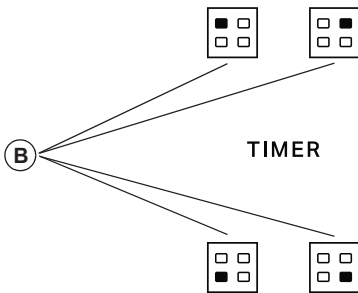


Η συσκευή πρέπει να συνδεθεί στην τροφοδοσία ρεύματος μέσω ενός πολυπολικού διακόπτη αποσύνδεσης με ελάχιστο διάστημα επαφής 3 mm.

ΠΡΟΣΟΧΗ: Το καλώδιο τροφοδοσίας πρέπει να είναι αρκετά μακρύ ώστε να επιτρέπεται η αφαίρεση της μονάδας εστιών από τον πάγκο και πρέπει να τοποθετείται έτσι ώστε να αποφεύγεται η πρόκληση ζημιάς ή η υπερθέρμανση που προκαλείται από την επαφή με τη βάση.

ΣΗΜΕΙΩΣΗ: το κίτρινο/πράσινο καλώδιο γείωσης πρέπει να συνδεθεί στο τερματικό με το σύμβολο  και πρέπει να είναι μεγαλύτερο από τα άλλα καλώδια.

- Βγάλτε περίπου 70 mm από το περίβλημα του καλωδίου τροφοδοσίας (**B**).
- Απογυμνώστε περίπου 10 mm από τα καλώδια. Εισαγάγετε το καλώδιο τροφοδοσίας στο σφιγκτήρα και συνδέστε τα καλώδια στους ακροδέκτες όπως φαίνεται στο διάγραμμα σύνδεσης που βρίσκεται δίπλα από την πλακέτα ακροδεκτών.
- Ασφαλίστε το καλώδιο τροφοδοσίας (**B**) μέσω του σφιγκτήρα καλωδίου.
- Κλείστε την πλακέτα ακροδεκτών με το κάλυμμα (**A**) ασφαρίζοντας το με την προβλεπόμενη βίδα.
- Μετά την ηλεκτρική σύνδεση, τοποθετήστε τη μονάδα εστιών από το πάνω μέρος και στερεώστε τη στα ελατήρια στήριξης, σύμφωνα με την εικόνα.

**ΣΑΣ ΕΥΧΑΡΙΣΤΟΥΜΕ ΠΟΥ ΑΓΟΡΑΣΑΤΕ ΕΝΑ ΠΡΟΪΟΝ WHIRLPOOL**Για να λάβετε πλήρη τεχνική υποστήριξη, παρακαλούμε να καταχωρίσετε τη συσκευή σας στην ιστοσελίδα www.whirlpool.eu/register.**ΣΑΡΩΣΤΕ ΤΟΝ ΚΩΔΙΚΟ QR ΣΤΗ ΣΥΣΚΕΥΗ ΣΑΣ ΓΙΑ ΠΕΡΙΣΣΟΤΕΡΕΣ ΠΛΗΡΟΦΟΡΙΕΣ****Διαβάστε τις οδηγίες για την ασφάλεια προσεκτικά πριν χρησιμοποιήσετε τη συσκευή.****ΠΕΡΙΓΡΑΦΗ ΠΡΟΪΟΝΤΟΣ****ΠΙΝΑΚΑΣ ΕΛΕΓΧΟΥ**

- A** Ενεργ/Απενεργ
- B** Επιλογή εστιών και χρονοδιακόπτης
- C-E** Αύξηση και μείωση ρύθμισης θερμοκρασίας
- D** Κλείδωμα πλήκτρων

ΠΡΩΤΗ ΧΡΗΣΗ

Κατά την πρώτη εγκατάσταση, ο πίνακας διακοπών θα εκτελέσει έναν έλεγχο λειτουργίας για περίπου 1 δευτερόλεπτο και, στη συνέχεια, θα ενεργοποιήσει αυτόματα τη λειτουργία "Κλείδωμα πλήκτρων".

Γι να απενεργοποιήσετε αυτή τη λειτουργία, πατήστε και κρατήστε πατημένο

το κουμπί "D", ένα ηχητικό σήμα θα ηχησει και το αντίστοιχο led θα σβήσει.

ΣΗΜΕΙΩΣΗ: Σε περίπτωση επαναρρύθμισης της συσκευής, επαναλάβετε τη διαδικασία που περιγράφεται πιο πάνω.

ΚΑΘΗΜΕΡΙΝΗ ΧΡΗΣΗ**ΕΝΕΡΓΟΠΟΙΗΣΗ/ΑΠΕΝΕΡΓΟΠΟΙΗΣΗ ΜΟΝΑΔΑΣ ΕΣΤΙΩΝ**

Για να ενεργοποιήσετε τη μονάδα εστιών, πρέπει να κρατήσετε πατημένο το κουμπί "A" για 2 περίπου δευτερόλεπτα. Στις οθόνες των 4 εστιών μαγειρέματος εμφανίζεται η ένδειξη "0". Εάν μέσα σε 20 περίπου δευτερόλεπτα δεν ανάβει καμία από τις μαγειρικές εστίες, η μονάδα των εστιών σβήνει αυτόματα για λόγους ασφαλείας.

ΕΝΕΡΓΟΠΟΙΗΣΗ ΚΑΙ ΡΥΘΜΙΣΗ ΕΣΤΙΩΝ

Πιέστε ένα από τα κουμπιά "B" που αντιστοιχεί στη ζώνη μαγειρέματος που σκοπεύετε να χρησιμοποιήσετε. Επιλέξτε τη ρύθμιση μαγειρέματος πατώντας τα κουμπιά "E" ή "C". Οι άλλες επιλέξιμες ρυθμίσεις μαγειρέματος κυμαίνονται από 1 έως 9. Πιέστε ταυτόχρονα τα κουμπιά "+/-" για να ακυρώσετε όλες τις ρυθμίσεις.

ΠΡΟΣΟΧΗ: ο διακόπτης απενεργοποιείται 10 δευτερόλεπτα μετά την επιλογή της ρύθμισης της θερμοκρασίας. Για αλλαγή της ρύθμισης της θερμοκρασίας, πιέστε ξανά το κουμπί επιλογής "B" και αλλάξτε τη ρύθμιση, χρησιμοποιώντας τα κουμπιά "E" ή "C".

ΧΡΟΝΟΔΙΑΚΟΠΤΗ

Για τη ρύθμιση της λειτουργίας χρονοδιακόπτη, επιλέξτε την εστία και το επίπεδο ισχύος και πατήστε ξανά το πλήκτρο της εστίας, στο σημείο αυτό ανάβει μια φωτεινή ένδειξη στην οθόνη της εστίας που λειτουργεί με χρονορύθμιση. Στις 2 οθόνες ανάβει η ένδειξη "00". Πατήστε τα κουμπιά "E" ή "C" για να ρυθμίσετε το χρόνο από 1 έως 99.

ΠΡΟΣΟΧΗ: μετά από 10 δευτερόλεπτα οι οθόνες του χρονοδιακόπτη εμφανίζουν το επίπεδο ισχύος των άλλων εστιών. Για να εμφανιστεί ο χρόνος που απομένει πατήστε δύο φορές την εστία που λειτουργεί με χρονορύθμιση.

ΜΙΑ ΛΕΙΤΟΥΡΓΙΑ

Αυτή η λειτουργία επιτρέπει την αυτόματη μείωση του επιπέδου ισχύος της ζώνης μαγειρέματος από την υψηλότερη τιμή (επίπεδο 9) σε αυτήν που έχει επιλέξει ο χρήστης για μεταγενέστερο στάδιο μαγειρέματος.

Για να ενεργοποιήσετε αυτή τη λειτουργία, πατήστε πρώτα το κουμπί "+" όταν φτάσετε στο επίπεδο 9.

Στην οθόνη εμφανίζεται το "A" και το "9" αναβοσβήνει εναλλάξ με χαμηλή φωτεινότητα.

Σε αυτό το σημείο, επιλέξτε το επιθυμητό επίπεδο ισχύος (λιγότερο από 9) με το κουμπί “-”.

Το “Α” και το επιλεγμένο επίπεδο αναβοσβήνουν εναλλάξ με χαμηλή φωτεινότητα στην οθόνη. Η λειτουργία ενεργοποιείται μία φορά “Α” και το επιλεγμένο επίπεδο αναβοσβήνει εναλλάξ με υψηλή φωτεινότητα στην οθόνη. Μόλις το “Α” δεν είναι πλέον ορατό στην οθόνη (η λειτουργία “Α” απενεργοποιείται αυτόματα μετά από αρκετά λεπτά, ανάλογα με το επίπεδο ισχύος που έχει ρυθμιστεί), η διαδικασία μαγειρέματος συνεχίζεται με χαμηλότερη ισχύ και στην οθόνη εμφανίζεται μόνο το επιλεγμένο επίπεδο ισχύος.

ΣΗΜ.: αυτή η λειτουργία δεν είναι δυνατή με το επίπεδο 9.



ΚΛΕΙΔΩΜΑ ΠΛΗΚΤΡΩΝ

Η λειτουργία Κλείδωμα πλήκτρων ενεργοποιείται κρατώντας πατημένο το κουμπί “D” έως ότου σβήσει η κουκκίδα πάνω από το κουμπί λειτουργίας. Ο πίνακας ελέγχου είναι κλειδωμένος εκτός από τη λειτουργία απενεργοποίησης. Η λειτουργία παραμένει ενεργοποιημένη ακόμη και αφού σβήσετε και ανάψετε πάλι τη μονάδα εστιών και μπορεί να απενεργοποιηθεί πιέζοντας το κουμπί “D” ξανά έως ότου σβήσει η κουκκίδα πάνω από το κουμπί λειτουργίας.

Όταν η εστία είναι απενεργοποιημένη με το κλείδωμα των κουμπιών ενεργοποιημένο, για να ενεργοποιήσετε την εστία, απενεργοποιήστε πρώτα τη λειτουργία κλειδώματος των κουμπιών πατώντας ξανά το κουμπί “D” μέχρι να σβήσει η κουκκίδα πάνω από το κουμπί λειτουργίας.

Η παρουσία νερού, υγρού που χύνεται από κατασρόλες ή οποιονδήποτε αντικειμένων ακουμπούν στα χειριστήρια μπορεί να ενεργοποιήσει ή να απενεργοποιήσει κατά λάθος το κλείδωμα των κουμπιών.



ΕΝΔΕΙΞΗ ΥΠΟΛΕΙΠΟΜΕΝΗΣ ΘΕΡΜΟΤΗΤΑΣ

Όταν σβήσει η εστία, η ένδειξη υπολειπόμενης θερμότητας “H” παραμένει αναμμένη ή αναβοσβήνει με “O” μέχρι η θερμοκρασία της εστίας να επιστρέψει εντός των ορίων ασφαλείας.

ΠΡΟΣΟΧΗ: Οι λειτουργίες ασφαλείας της εστίας περιλαμβάνουν μια λειτουργία για αυτόματο σβήσιμο. Η παρατεταμένη χρήση της ίδιας ρύθμισης θερμοκρασίας ενεργοποιεί το αυτόματο σβήσιμο της εστίας (για παράδειγμα, μετά από περίπου 1 ώρα στη μέγιστη ρύθμιση θερμοκρασίας, η εστία σβήνει).

ΣΗΜΑΝΤΙΚΟ: Για να αποφύγετε μόνιμη βλάβη των εστιών:

- Μην χρησιμοποιείτε σκεύη με βάση που δεν είναι εντελώς επίπεδη
- Μην χρησιμοποιείτε μεταλλικά σκεύη με εμαγιέ βάση
- Μην τοποθετείτε ζεστές κατασρόλες/σκεύη πάνω στον πίνακα ελέγχου.

Η εστία είναι επίσης εξοπλισμένη με τη λειτουργία “auto shut off” (αυτόματη απενεργοποίηση) που απενεργοποιεί τη ζώνη μαγειρέματος εάν δεν γίνει τροποποίηση του επιπέδου ισχύος μετά από ένα συγκεκριμένο χρονικό διάστημα, ανάλογα με την ίδια τη ρύθμιση ισχύος. Στον πίνακα, υπάρχει η χρονική διάρκεια κάθε επιπέδου ισχύος.

ΕΠΙΠΕΔΟ ΙΣΧΥΟΣ	ΧΡΟΝΟΣ ΑΥΤΟΜΑΤΗΣ ΑΠΕΝΕΡΓΟΠΟΙΗΣΗΣ
0	30 δευτερόλεπτα
1	10 ώρες
2	5 ώρες
3	5 ώρες
4	4 ώρες
5	3 ώρες
6	2 ώρες
7	2 ώρες
8	2 ώρες
9	1 ώρα

ΠΙΝΑΚΑΣ ΨΗΣΙΜΑΤΟΣ

ΕΠΙΠΕΔΟ ΙΣΧΥΟΣ		ΤΡΟΠΟΣ ΜΑΓΕΙΡΕΜΑΤΟΣ	ΧΡΗΣΗ ΕΠΙΠΕΔΟΥ (υποδεικνύοντας την εμπειρία μαγειρέματος και τις συνήθειες)
Μέγιστη ισχύς	9	Βράσιμο	Ιδανική ρύθμιση για αύξηση της θερμοκρασίας του φαγητού για γρήγορο βράσιμο στην περίπτωση νερού ή για γρήγορο ζέσταμα υγρών μαγειρέματος.
	9-8	Τσιγάρισμα	Ιδανική ρύθμιση για ρόδισμα, πρώτα στάδια μαγειρέματος, τηγάνισμα καταψυγμένων προϊόντων και γρήγορο βράσιμο.
Υψηλή ισχύς	8-7	Ρόδισμα – διατήρηση βρασμού - ψήσιμο στο γκριλ	Ιδανικό για ρόδισμα, διατήρηση υψηλού βρασμού, μαγείρεμα και ψήσιμο στο γκριλ (μικρή διάρκεια, 5-10 λεπτά).
	7-6	Τηγάνισμα – μαγείρεμα – ψήσιμο στο γκριλ	Ιδανικό για διατήρηση χαμηλού βρασμού, μαγείρεμα και ψήσιμο στο γκριλ (μεσαία διάρκεια, 10-20 λεπτά), προθέρμανση και τηγάνισμα.
Μέτρια ισχύς	6-5	Απαλό τηγάνισμα	Ιδανικό για τηγάνισμα αυγών, ομελετών.
	5-4	Μαγείρεμα – σιγοβράσιμο – βράσιμο	Ιδανική ρύθμιση για μαγείρεμα μεγάλης διάρκειας (ρύζι, σάλτσες, ψητά, ψάρια) με υγρά (π.χ. νερό, κρασί, ζωμός, γάλα), συμπύκνωση κρέμας ζυμαρικών.
	4-3	Συμπύκνωση - συμπύκνωση κρέμας ζυμαρικών	
Χαμηλή ισχύς	2-1	Διατήρηση ζεστού φαγητού – συμπύκνωση κρέμας ριζότου	Ιδανικό για να διατηρείτε ζεστό το φαγητό που μόλις μαγειρέψατε (π.χ., σάλτσες, σουπες, minestrone), συμπύκνωση κρέμας ριζότου και διατήρηση των πιάτων σε βριβρίσματος ζεστά.
Ελάχιστη ισχύς	1	Απόψυξη	Ιδανική ρύθμιση για απόψυξη μικρών προϊόντων και απαλό λιώσιμο σοκολάτας ή βουτύρου.
Μηδενική ισχύς	0	—	Μονάδα εστιών σε κατάσταση αναμονής ή απενεργοποίησης (πιθανή υπολειπόμενη θερμότητα τέλους μαγειρέματος, που υποδεικνύεται με ένα “H”).

ΚΑΘΑΡΙΣΜΟΣ ΚΑΙ ΣΥΝΤΗΡΗΣΗ

⚠️ Αποσυνδέστε τη συσκευή από το ηλεκτρικό δίκτυο.

- Μην χρησιμοποιείτε εξοπλισμό καθαρισμού με ατμό.
- Μην χρησιμοποιείτε αποξεστικά καθαριστικά ή συρμάτινα σφουγγαράκια γιατί μπορεί να προκαλέσουν ζημιά στο γυαλί.
- Μετά τη χρήση, καθαρίστε τη μονάδα εστιών (όταν κρυώσει), ώστε να απομακρυνθούν υπολείμματα τροφίμων και κηλίδες.
- Η ζάχαρη ή τα φαγητά με υψηλή περιεκτικότητα σε σάκχαρα προκαλούν φθορά στη μονάδα εστιών και πρέπει να καθαρίζονται αμέσως.

- Το αλάτι, η ζάχαρη και η άμμος μπορούν να χαράξουν την επιφάνεια του γυαλιού.
- Χρησιμοποιείτε μαλακό πανί, χαρτί κουζίνας ή ειδικά προϊόντα για τον καθαρισμό της μονάδας (ακολουθείτε τις οδηγίες του κατασκευαστή).
- Οι διαρροές υγρών στις εστίες μπορεί να προκαλέσει τη μετακίνηση ή τον κραδασμό των σκευών.
- Σκουπίστε καλά την επιφάνεια της μονάδας μετά τον καθαρισμό.

ΑΝΤΙΜΕΤΩΠΙΣΗ ΠΡΟΒΛΗΜΑΤΩΝ

Εάν η μονάδα εστίων δεν λειτουργεί σωστά, πριν επικοινωνήσετε με το κέντρο εξυπηρέτησης πελατών, ανατρέξτε στον οδηγό αντιμετώπισης προβλημάτων για να καθορίσετε το πρόβλημα.

- Διαβάστε τις οδηγίες που παρέχονται στην ενότητα "Καθημερινή χρήση".
- Βεβαιωθείτε ότι δεν υπάρχουν διακοπές στην παροχή.
- Σκουπίστε καλά την επιφάνεια της μονάδας μετά τον καθαρισμό.
- Εάν έχει επιλεγεί μια ζώνη μαγειρέματος και στην οθόνη εμφανίζεται ένα "F" ή ένα "ER" ακολουθούμενο από έναν αριθμό, επικοινωνήστε με το σέρβις και ενημερώστε σχετικά.
- Εάν ο κωδικός σφάλματος είναι "F03", "ER03" ή "E02", προσπαθήστε να το λύσετε ακολουθώντας αυτές τις οδηγίες:
 - Εάν εμφανιστεί το σφάλμα "E02" βεβαιωθείτε ότι δεν έχετε πατήσει κουμπιά για περισσότερα από 5 δευτερόλεπτα, ότι δεν υπάρχει αντικείμενο στην περιοχή HMI και ότι είναι καθαρή και στεγνή - κατά τον καθαρισμό, ακολουθήστε όσα αναφέρονται στην παράγραφο συντήρησης και καθαρισμού.
 - Εάν εμφανιστεί το σφάλμα "F03", δοκιμάστε να απενεργοποιήσετε και να ενεργοποιήσετε ξανά την εστία.
 - Εάν εμφανιστεί το σφάλμα "F04", επικοινωνήστε με το σέρβις και ενημερώστε σχετικά με τον κωδικό που εμφανίζεται.

- Αν η κουζίνα δε λειτουργεί ύστερα από παρατεταμένη χρήση, τότε η εσωτερική της θερμοκρασία είναι πολύ υψηλή. Περιμένετε μερικά λεπτά μέχρι να κρυώσει η κουζίνα.
- Εάν ο θερμαντήρας δεν είναι συνεχώς αναμμένος, αλλά ανάβει και σβήνει κυκλικά, ακόμα κι αν στην οθόνη το επίπεδο ισχύος δεν αλλάζει, αυτό αποτελεί μέρος της κανονικής λειτουργίας της εστίας. Ο κύκλος on/off (ενεργοποίηση/απενεργοποίηση) επιτρέπει τη ρύθμιση ισχύος του θερμαντήρα και είναι απολύτως φυσιολογικός. Σε ορισμένες περιπτώσεις, η θερμική προστασία θα μπορούσε να απενεργοποιήσει τον θερμαντήρα για κάποιο χρονικό διάστημα για να αποφευχθεί η ζημιά στο γυαλί. Παραδείγματα τέτοιων περιπτώσεων είναι: μαγείρεμα για μεγάλο χρονικό διάστημα σε υψηλό επίπεδο ισχύος, χρησιμοποιώντας κατασρόλες μικρότερες από το θερμαντικό στοιχείο και όχι κατασρόλες με επίπεδο πυθμένα.
- Εάν η εστία εκπέμπει έναν σύντομο ήχο χωρίς ο πελάτης να πατήσει κανένα κουμπί, φροντίστε να μην χυθεί υγρό στο HMI. Στεγνώστε το HMI και συνεχίστε να χρησιμοποιείτε την εστία. Εάν η εστία έχει απενεργοποιηθεί αυτόματα, αυτό μπορεί να προκληθεί από παρούσα υγρού στο HMI. Στεγνώστε το HMI και ενεργοποιήστε ξανά την εστία.

Εάν μετά από αυτούς τους ελέγχους το πρόβλημα παραμένει, απευθυνθείτε στο πλησιέστερο Κέντρο Εξυπηρέτησης Πελατών.

ΚΕΝΤΡΟ ΕΞΥΠΗΡΕΤΗΣΗΣ ΠΕΛΑΤΩΝ

Για να λάβετε πλήρη τεχνική υποστήριξη, παρακαλούμε να καταχωρίσετε τη συσκευή σας στην ιστοσελίδα www.whirlpool.eu/register.

ΠΡΙΝ ΚΑΛΕΣΕΤΕ ΤΟ ΣΕΡΒΙΣ:

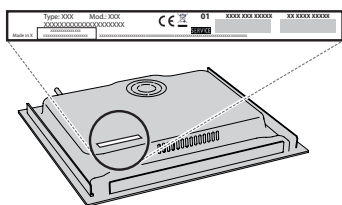
1. Επιχειρήστε να επιλύσετε μόνοι σας το πρόβλημα με τη βοήθεια των συστάσεων που παρέχονται στον **ΟΔΗΓΟ ΑΝΤΙΜΕΤΩΠΙΣΗΣ ΒΛΑΒΩΝ**.
2. Σβήστε και ανάψτε ξανά τη συσκευή για να διαπιστώσετε εάν η βλάβη παραμένει.

ΕΑΝ Η ΒΛΑΒΗ ΕΞΑΚΟΛΟΥΘΕΙ ΝΑ ΕΜΦΑΝΙΖΕΤΑΙ ΜΕΤΑ ΤΟΥΣ ΠΑΡΑΠΑΝΩ ΕΛΕΓΧΟΥΣ, ΕΠΙΚΟΙΝΩΝΗΣΤΕ ΜΕ ΤΟ ΠΛΗΣΙΕΣΤΕΡΟ ΣΕΡΒΙΣ.

Για τεχνική υποστήριξη, καλέστε τον αριθμό που αναγράφεται στο βιβλιαράκι εγγύησης ή ακολουθήστε τις οδηγίες στην www.whirlpool.eu.

Όταν επικοινωνείτε με την Εξυπηρέτηση πελατών, αναφέρετε πάντα:

- Μια σύντομη περιγραφή της βλάβης;
- Τον τύπο και το ακριβές μοντέλο της συσκευής;



- τον σειριακό αριθμό (αριθμός μετά τη λέξη SN στην πινακίδα που βρίσκεται κάτω από τη συσκευή). Ο σειριακός αριθμός αναφέρεται επίσης στην τεκμηρίωση.



Mod. xxx xxx
Ind.C. xxxx xxxx xxxx
SN: xxxx xxxx xxxx
Prod.N. xxxx xxxx xxxx

- την πλήρη διεύθυνσή σας
- τον αριθμό τηλεφώνου σας.

Εάν απαιτείται επισκευή, απευθυνθείτε σε ένα εξουσιοδοτημένο Κέντρο Εξυπηρέτησης Πελατών (για να διασφαλιστεί η χρήση γνήσιων ανταλλακτικών και η σωστή επισκευή).

Μπορείτε να βρείτε πολιτικές, τυπική τεκμηρίωση και πρόσθετες πληροφορίες προϊόντος:

- Χρήση του κωδικού QR στη συσκευή σας;
- Επισκεφθείτε την ιστοσελίδα μας docs.whirlpool.eu;
- Εναλλακτικά, **μπορείτε να επικοινωνήσετε με την Υπηρεσία εξυπηρέτησης πελατών** (βλ. τηλεφωνικό αριθμό στο βιβλιαράκι εγγύησης). Όταν επικοινωνείτε με το Κέντρο εξυπηρέτησης πελατών, αναφέρετε τους κωδικούς που αναγράφονται στην ετικέτα αναγνώρισης προϊόντος.



SIKKERHEDSANVISNINGER

VIGTIGE OPLYSNINGER, DER SKAL LÆSES OG OVERHOLDES

Download den fulde instruktionsvejledning på <http://docs.whirlpool.eu> eller du kan ringe på det telefonnummer der er vist i garantibogen.

Læs disse sikkerhedsanvisninger før apparatet tages i brug. Opbevar dem i nærheden til senere reference.

Disse anvisninger og selve apparatet er forsynet med vigtige oplysninger om sikkerhed, der altid skal overholdes. Fabrikanten frasiger sig ethvert ansvar for manglende overholdelse af disse sikkerhedsregler, for uhensigtsmæssig brug af apparatet eller forkerte indstillinger.

⚠ **ADVARSEL:** Hvis kogesektionens overflade er revnet må apparatet ikke bruges - risiko for elektriske stød.

⚠ **ADVARSEL:** Risiko for brand: Opbevar ikke genstande på kogesektionerne.

⚠ **GIV AGT:** Tilberedningsprocessen skal overvåges. En kort tilberedningsproces skal overvåges konstant.

⚠ **ADVARSEL:** Hold øje med kogesektionen, når der tilberedes med olie og andre fedtstoffer - brandfare. Forsøg ALDRIG at slukke en brand med vand: Sluk i stedet for apparatet og kvæl herefter flammen, for eksempel med et låg eller et brandtæppe.

⚠ Kogesektionen må ikke anvendes som arbejdsbord eller understøtning. Hold klude eller andre brændbare materialer væk fra apparatet, indtil alle apparatets dele er fuldstændig afkølede - brandfare.

⚠ Meget små børn (0-3 år) skal holdes på afstand af apparatet. Små børn (3-8 år) skal holdes på afstand af apparatet med mindre de er under konstant opsyn. Apparatet kan bruges af børn på 8 år og derover, og personer med nedsatte fysiske, sensoriske eller mentale evner eller med manglende erfaring og viden, hvis disse er under opsyn eller er oplært i brugen af apparatet på en sikker måde og, hvis de forstår de involverede farer. Børn må ikke lege med apparatet. Rengøring og vedligeholdelse må ikke udføres af børn, medmindre de er under opsyn.

⚠ **ADVARSEL:** Apparatet og de tilgængelige dele kan blive varme, når apparatet er i brug. Der bør udvises forsigtighed, for at undgå at røre apparatets opvarmede dele. Børn under 8 år skal holdes væk fra ovnen, medmindre de er under konstant opsyn.

TILLADT BRUG

⚠ **GIV AGT:** Apparatet er ikke beregnet til at blive startet ved hjælp af et eksternt tændingssystem, som f.eks. en timer, eller af et separat fjernbetjent system.

⚠ Dette produkt er beregnet til husholdningsbrug samt til brug: I køkkenet på arbejdspladser, kontorer og/eller forretninger; På landbrugsejendomme; Af kunder på hoteller, moteller, bed & breakfast og andre beboelsesomgivelser.

⚠ Enhver anden brug er forbudt (f.eks. opvarmning af rum).

⚠ Dette apparat er ikke beregnet til erhvervsbrug. Brug ikke ovnen udendørs.

INSTALLATION

⚠ Flytning og opstilling af apparatet skal foretages af to eller flere personer - risiko for skader. Brug beskyttelseshandsker under udpakning og installation - snitfare.

⚠ Installation, inklusive vandforsyning (om forudset), elektriske tilslutninger, og reparation skal udføres af en kvalificeret tekniker. Reparér eller udskift ingen af apparatets dele, medmindre detespecifikkeranført i brugsvejledningen. Hold børn væk fra installationsområdet. Kontrollér, at apparatet ikke er blevet beskadiget under transporten. Kontakt forhandleren eller Serviceafdelingen, hvis der er problemer. Efter installation skal emballagen (plastik, flamingodele etc.) opbevares udenfor børns rækkevidde - kvælningsrisiko. Tag stikket ud af stikkontakten før, der udføres enhver form for installationsindgreb - risiko for elektrisk stød. Kontrollér at apparatet ikke beskadiger el-kablet under installationen - brandfare eller risiko for elektrisk stød. Aktiver kun apparatet, når installationen er fuldendt.

⚠ Skær køkkenelementet til, så det passer, før apparatet installeres i skabet, og fjern omhyggeligt eventuel savsmuld og træspåner.

⚠ Hvis apparatet ikke installeres over en ovn, skal der installeret et skillepanel (medfølger ikke) i rummet under apparatet.

ELEKTRISKE ADVARSLER

⚠ Strømforsyningen skal kunne afbrydes enten ved at tage stikket ud eller ved hjælp af en multi-polet afbryder, der er anbragt før stikkontakten i henhold til el-reglerne, og apparatet skal jordforbindes i overensstemmelse med nationale sikkerhedsstandarder for elektrisk materiel.

⚠ Der må ikke anvendes forlængerledninger eller multistikdåser. Efter endt installation må der ikke være direkte adgang til de elektriske dele. Rør aldrig ved apparatet, hvis du er våd eller har bare fødder. Anvend ikke dette apparat, hvis strømkablet eller stikket er beskadiget, hvis apparatet ikke fungerer korrekt, eller hvis det er beskadiget, eller har været tabt på gulvet.

⚠ Installation ved hjælp af et strømkabelstik er ikke tilladt, medmindre produktet allerede er udstyret med det, der leveres af producenten.


⚠ Eventuel udskiftning af el-kablet skal foretages af en autoriseret tekniker eller af en tilsvarende kvalificeret person, for at undgå fare for personskade - risiko for elektrisk stød.

RENGØRING OG VEDLIGEHOLDELSE

⚠ **ADVARSEL:** Kontrollér at apparatet er slukket og at stikket er trukket ud af stikkontakten, før der udføres nogen form for vedligeholdelsesindgreb; Anvend aldrig damprensere - risiko for elektrisk stød.

⚠ Brug ikke slibende, ætsende eller klorholdige produkter eller grydesvampe.


BORTSKAFFELSE AF EMBALLAGEN

Emballagen kan genbruges 100 % og er mærket med genbrugssymbolet . Emballagens forskellige dele bør derfor ikke efterlades i miljøet, men skal bortskaffes i overensstemmelse med lokale regler.

BORTSKAFFELSE AF HUSHOLDNINGSAPPARATER

Apparatet er fremstillet af materialer, der kan genbruges. Det skal skrottes i henhold til gældende lokale miljøregler for bortskaffelse af affald. Kontakt de lokale myndigheder, renovationselskabet eller den forretning, hvor apparatet er købt, for at indhente yderligere oplysninger om behandling, genvinding og genbrug af elektriske husholdningsapparater. Dette apparat er mærket i overensstemmelse med EU-direktiv 2012/19/EU, affald af elektrisk og elektronisk udstyr (WEEE) og med forskrifterne for affald af elektrisk og elektronisk udstyr 2013 (som ændret).

Ved at sikre, at dette produkt bliver skrottet korrekt, hjælper man med til at forhindre negative konsekvenser for miljøet og folkesundheden.

Symbolet  på produktet eller den ledsagende dokumentation angiver, at dette produkt ikke må bortskaffes som husholdningsaffald, men at det skal afleveres på nærmeste opsamlingscenter for genbrug af elektrisk og elektronisk udstyr.

RÅD OM ENERGIBESPARELSE

Få mere ud af dine varme kogepladers restvarme, ved at slukke dem et par minutter før tilberedningen er færdig.

Bunden på din gryde eller pande bør dække hele kogepladen; kogevej, som er mindre end kogepladen, vil medføre spild af energi.

Dæk dine gryder og pander til med tætsluttende låg under tilberedningen, og brug så lidt vand som muligt. Tilberedning uden låg forøger energiforbruget i betragteligt omfang.

Brug kun kogevej med flad bund.

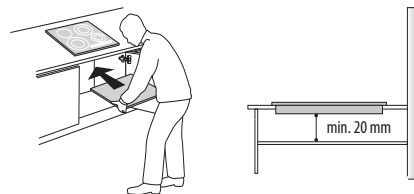
OVERENSSTEMMELSESERKLÆRING

Dette apparat opfylder kravene til miljøvenligt design i den europæiske forordning 66/2014 og 2019 Forordninger om miljøvenligt design af energirelaterede produkter (Ændring) (Udtræden af EU), i overensstemmelse med den Europæiske standard EN 60350-2.



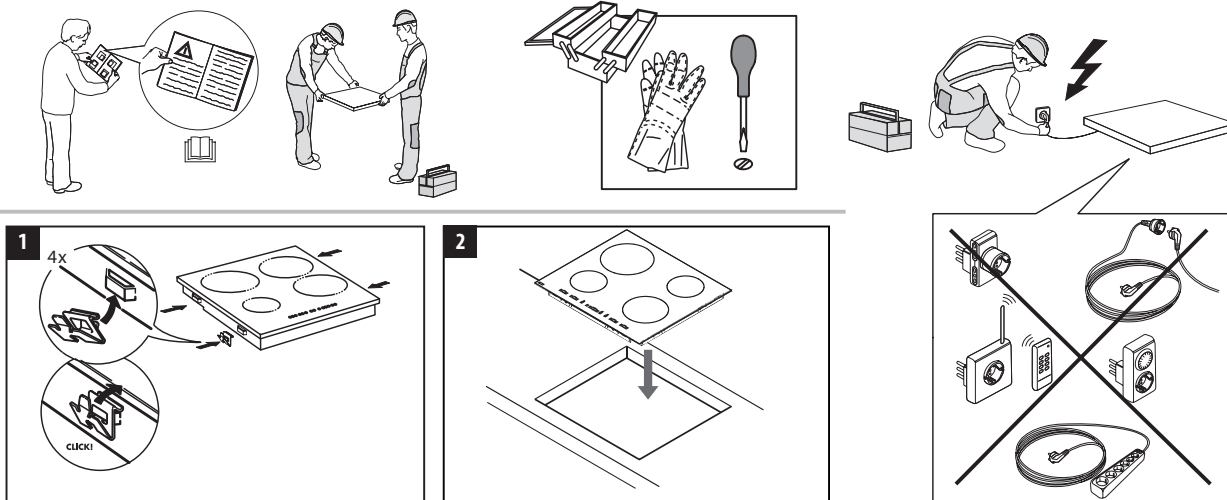
INSTALLATION

- Kogepladen skal placeres i en bordplade med en dybde på mindst 20 mm.
- Der må ikke være noget mellem kogepladen og ovnen (krydsskinner, beslag, osv.).
- Sørg for, at strømkablet er langt nok til at tillægge en bekvem installation.
- Afstanden mellem den nederste del af glaskeramik kogesektionen og skabet eller adskillelsespanelet, skal være mindst 20 mm.
- For nærmere oplysninger om indbygningsmål og installation, se billedet i dette afsnit.
- Der skal bevares en min. afstand mellem kogesektionen og den overhængende emhætte. Henvi venligst til emhættens brugervejledning for nærmere oplysninger.
- Anvend den medfølgende pakning på kogepladen (medmindre den allerede er monteret), efter at overfladen er rengjort.
- **Montér aldrig kogepladen over en opvaskemaskine eller vaskemaskine, for at undgå at de elektroniske kredsløb kommer i berøring med damp eller fugt, der kan ødelægge dem.**
- Hvis en ovn installeres under kogepladen, skal du sørge for at den er udstyret med et kølesystem. Hvis temperaturen for det elektriske kredsløb overstiger den maksimale tilladte temperatur, vil kogepladen automatisk slukke; I dette tilfælde, skal du vente et par minutter indtil den interne temperatur for de elektriske kredsløb når et passende niveau, hvorefter det vil være muligt at tænde for kogepladen igen.

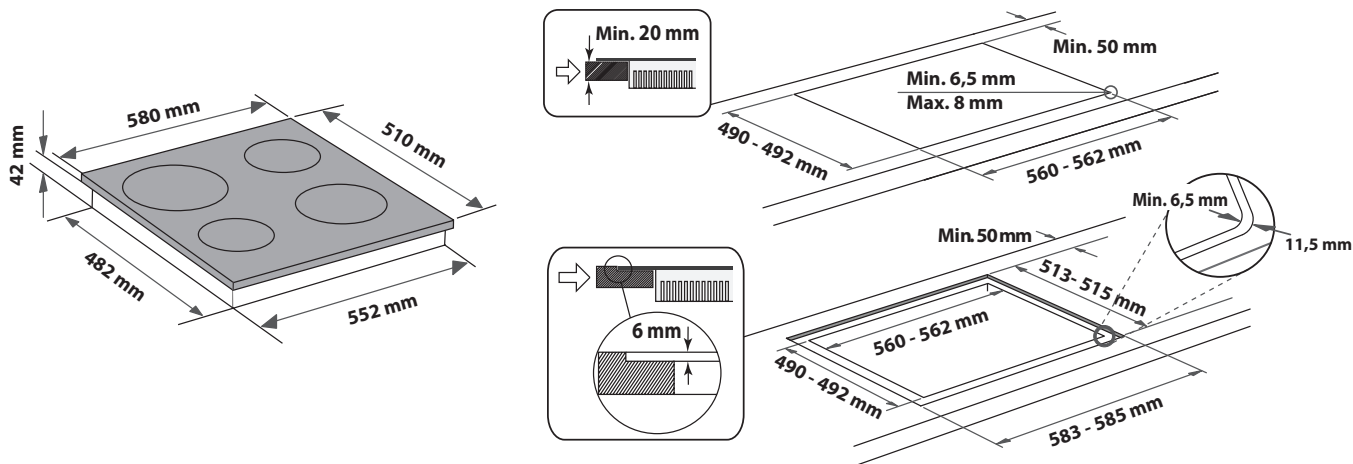
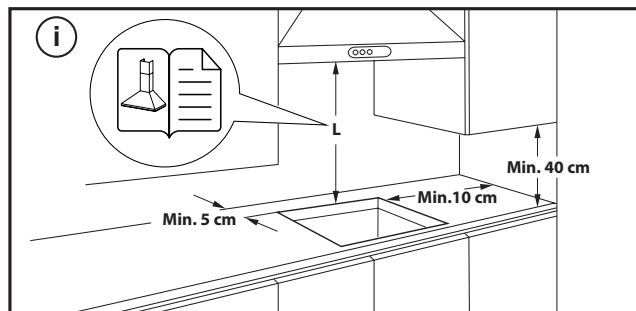


PLACERING AF KOGESEKTIONEN

Efter den elektriske tilslutning (se kapitel "Tilslutning til strømforsyning"), placeres hver enkelt fastgøringssklemme på de tilhørende åbninger på kogesektionens sider, som vist på billedet. Skub derefter kogesektionen ind i udskæringen og tjek, at glasset sidder fladt og er parallelt med køkkenbordet. Fastgøringssklemmerne er designet til alle typer af køkkenbordsmateriale (træ, marmor osv.).



DIMENSIONER OG AFSTANDE SOM SKAL OVERHOLDES



SÅDAN FJERNES KOGESEKTIONEN:

For at fjerne kogesektionen skal du først koble den fra strømforsyningen. Det anbefales kraftigt at frigøre den underste del fra ovnen, skuffen, separatoren eller andet. Det giver teknikeren adgang til den nederste del af kogesektionen for at løsne de fire clips med en skruetrækker, løfte kogesektionen og fjerne den for at undgå skader på bordpladen.

TILSLUTNING TIL STRØMFORSYNINGEN

Den elektriske forbindelse skal udføres, før apparatet sluttes til strømforsyningen.

Strømkablet medfølger ikke i pakken - husk at have dit eget strømkabel.




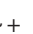
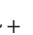
Installationen skal udføres af kvalificeret personale, der har kendskab til de aktuelle regulativer vedrørende sikkerhed og installation. Det er særdeles vigtigt, at installationen udføres i overensstemmelse med reguleringerne fra den lokale elvirksomhed.

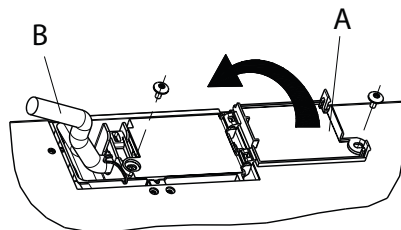
Kontrollér, at spændingen på typepladen, der er anbragt på bunden af apparatet, svarer til spændingen, der hvor apparatet installeres.

Dette apparat skal ekstrabeskyttes, jvf. stærkstrømsreglementet: Brug udelukkende isolering (inklusive jordisolering) i den korrekte størrelse.

TILSLUTNING TIL KLEMKASSEN


Anvend et kabel af typen H05RR-F til den elektriske tilslutning som angivet i tabellen herunder.

FORSYNINGSSPÆNDING	LEDNINGER NUMMER x STØRRELSE
220-240V ~+ 	3 x 4 mm ²
230-240V ~+ 	3 x 4 mm ² (kun Australia)
220-240V 3~+ 	4 x 1,5 mm ²
380-415V 3N~+ 	5 x 1,5 mm ²
380-425V 2N~+ 	4 x 1,5 mm ²



Forbind apparatet til strømforsyningen ved hjælp af en multipolær afbryder med en kontaktafstand på mindst 3 mm.

BEMÆRK: strømforsyningskablet skal være langt nok så kogepladen kan fjernes fra bordpladen, og skal placeres så det ikke beskadiges eller udsættes for overhedning ved kontakt med basen.

BEMÆRK: Den gul/grønne jordledning skal tilsluttes polen med symbolet , og den skal være længere end de andre ledninger.

- Fjern ca. 70 mm af kabelisoleringen fra strømforsyningskablet (**B**).
- Tag ca. 10 mm isolering af ledningerne. Sæt derefter elkablet fast i kabelklemmen, og forbind ledningerne til klemkassen, som angivet på forbindelsesdiagrammet, der er anbragt ved siden af klemkassen.
- Fastgør strømforsyningskablet (**B**) ved hjælp af kabelklemmen.
- Luk klembrettets dæksel, og fastgør det med skruen (**A**).
- Efter den elektriske forbindelse er gennemført, tilpasses kogepladen fra toppen af, og fastgøres i støttefjedrene, i henhold til tegningen.

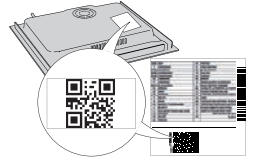


TAK FORDI DU HAR KØBT ET WHIRLPOOL PRODUKT
Registrér venligst dit produkt på www.whirlpool.eu/register,
for at modtage en mere komplet assistance.

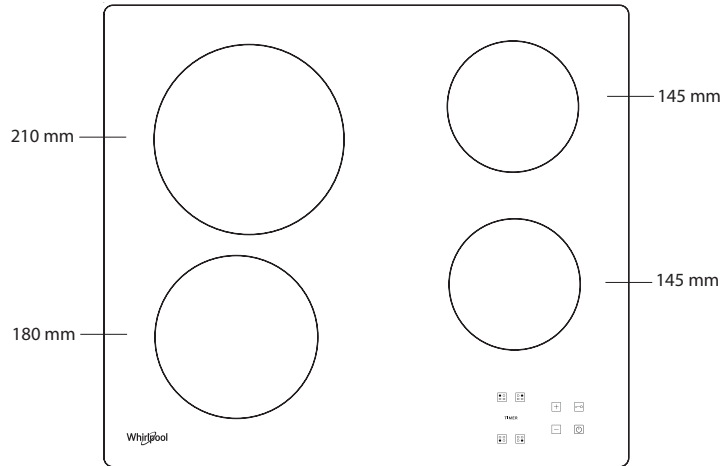


**Læs sikkerhedsanvisningerne med omhu, før apparatet
tages i brug.**

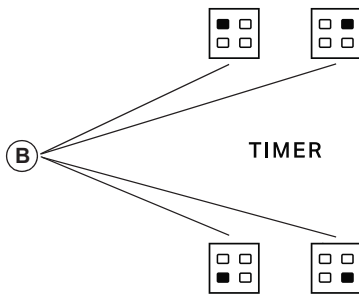
**SCAN QR-KODEN PÅ DIT
APPARAT, FOR AT INDHENTE
FLERE OPLYSNINGER**



PRODUKTBEKRIVELSE



BETJENINGSPANEL



- A** Tænding/slukning
- B** Valg af kogezone og timer
- C-E** Øgning og mindskning af varmeindstilling
- D** Blokering af knapper (Nøgletås)

FØRSTEGANGSBRUG

Når produktet installeres første gang, udfører betjeningspanelet en funktionskontrol i ca. 1 sekund, hvorefter det automatisk stiller sig i funktionen "Nøgletås". Hold knappen "D" inde for at deaktivere funktionen. Kogesektionen afgiver et

lydsignal, og kontrollampen slukker

BEMÆRK: Gentag ovenstående procedure, hvis produktet nulstilles

DAGLIG BRUG



TÆNDING OG SLUKNING AF KOGESEKTIONEN

Knappen "A" trykkes ned i ca. 2 sekunder for at tænde for kogesektionen. De 4 kogezone-displays viser "0". Hvis ingen af kogezoneerne aktiveres inden for 20 sekunder, slukker kogesektionen automatisk af sikkerhedshensyn.

TÆNDING OG REGULERING AF KOGEZONE

Tryk på en af knapperne "B" svarende til den kogezone, du vil bruge. Vælg det ønskede eektniveau med knapperne "E" eller "C". Eektniveauerne går fra 1 til 9. Tryk samtidigt på knapperne "+/-" for at annullere alle indstillinger.

VIGTIGT: Betjeningsknappen deaktiveres 10 sekunder efter, at varmeindstillingen er valgt.

Varmeindstillingen ændres ved først at trykke på valgknappen "B" igen og derefter ændre indstillingen med knapperne "E" eller "C".

TIMER

Indstilling af funktionen Timer: Vælg den ønskede kogezone og varmeindstilling. Tryk igen på tasten for kogezone, så der tændes et lyspunkt på displayet for zonen, som timeren indstilles for. De 2 displays blinker "00". Tryk på knappen "E" eller "C" for at vælge tiden fra 1 til 99.

VIGTIGT: Efter 10 sekunder viser displayene varmeindstillingerne for de andre kogezoneer.

Den resterende tid bliver vist, hvis der trykkes to gange på den kogezone, som timeren er indstillet for.

A-FUNKTION

Denne funktion gør det muligt automatisk at sænke kogezoneens effektiveau fra den højeste værdi (niveau 9) til den, som brugeren har valgt til et senere tilberedningstrin.

For at aktivere denne funktion skal du først trykke på "+"-knappen, når niveau 9 er nået.

Displayet viser "A" og "9" blinker skiftevis med lav lysstyrke. Nu kan du vælge det ønskede effektniveau (mindre end 9) med knappen "-". "A" og det valgte niveau blinker skiftevis med lav lysstyrke på displayet. Funktionen er aktiveret, når "A" og det valgte niveau blinker skiftevis med høj lysstyrke på displayet.

Når "A" ikke længere er synligt på displayet ("A"-funktionen slukker automatisk efter flere minutter, afhængigt af det indstillede effektniveau), fortsætter tilberedningen med lavere effekt, og displayet viser kun det valgte effektniveau.

N.B.: denne funktion er ikke mulig med niveau 9.



NØGLELÅS

Funktionen nøglelås aktiveres ved at knappen "D" holdes nede, til der tændes en prik over funktionsknappen. Betjeningspanelet er låst med undtagelse af slukningsfunktionen. Funktionen forbliver aktiv, selv efter at der er slukket for kogesektionen, og der tændes for den igen. Funktionen kan inaktiveres ved at trykke på knappen "D" igen, indtil den lille lysprik over funktionsknappen forsvinder. Når kogesektionen er slukket med nøglelås slået til og du vil tænde for kogesektionen, skal du først slå nøgle låsefunktion fra ved at trykke på knappen "D" igen, indtil prikken over funktionsknappen forsvinder.

Vand på pladen, spildt væske fra en gryde, eller genstande, der hviler på tasterne, kan eventuelt aktivere eller deaktivere betjeningspanelets lås/nøglelås/børnesikring.



RESTVARMEINDIKATOR

Når der er slukket for kogezonen, forbliver indikatoren for restvarme "H" tændt, eller den blinker skiftende med "0", til kogesektionens temperatur atter bender sig inden for sikkerhedsgrænserne.

VIGTIGT: Af sikkerhedshensyn er kogesektionen forsynet med en automatisk afbrydefunktion. Langvarig brug af den samme varmeindstilling udløser automatisk slukning af kogezonen (for eksempel slukker kogezonen efter ca. 1 time ved maksimal varme).

VIGTIGT: For at undgå permanent skade på kogesektionen, må man:

- Ikke bruge gryder med en bund, der ikke er flad;
- Ikke bruge metalgryder med emaljeret bund;
- Ikke anbringe varme gryder/pander over betjeningspanelet.

Kogesektionen er endvidere udstyret med en funktion til "automatisk slukning", som slukker for kogezonen, hvis der ikke foretages ændringer til varmeniveauet efter en specifik tidstabel, afhængigt af selve varmeniveauet. I tabellen ses varigheden af hvert enkelt varmeniveau.

EFFEKTNIVEAU	TID TIL AUTOMATISK SLUKNING
0	30 sekunder
1	10 timer
2	5 timer
3	5 timer
4	4 timer
5	3 timer
6	2 timer
7	2 timer
8	2 timer
9	1 time

TILBEREDNINGSTABEL

EFFEKTNIVEAU	TILBEREDNINGSTYPE	ANVENDELSE (angivelsen afhænger af erfaring og tilberedningsvaner)
Maksimumseffekt	9	Kogning
	9 – 8	Bruning
Høj indstilling	8 – 7	Bruning – oprethold kogning – grilning
	7 – 6	Stegning – kogning – grilning
Mellemindstilling	6 – 5	Svag stegning
	5 – 4	Kogning – småkogning – stuvning
	4 – 3	Fortykkelse – creme pasta
Lav indstilling	2 – 1	Varmholdning – afsluttende vending af risotto
Minimumseffekt	1	Optøning
Nul effekt	0	–

RENGØRING OG VEDLIGEHOLDELSE

Tag stikket til apparatet ud af stikkontakten.

- Anvend ikke damprensere.
- Brug ikke slibende svampe eller skure-/metalsvampe da de kan beskadige glasset.
- Rengør altid kogesektionen efter brug (når den er kold) så alle aflejringer og pletter af madrester elimineres.

- Sukker eller andre madvarer med et højt sukkerindhold kan beskadige kogesektionen og skal fjernes med det samme.
- Salt, sukker og sand kan ridse glasoverfladen.
- Brug en blød klud, køkkenrulle eller et specialmiddel, der er beregnet specifikt til rengøring af kogesektionen (følg producentens anvisninger).
- Spildt væske i kogezonen kan medføre at gryderne flytter sig eller vibrerer.
- Tør omhyggeligt kogesektionen af efter rengøring.

Før du kontakter kundeservice, skal du se i fejlfindingsoversigten for at fastslå problemet.

- Læs og følg instruktionerne fra afsnittet "Daglig brug".
- Kontrollér, at der ikke er strømafbrydelse.
- Tør kogesektionen omhyggeligt af efter rengøring.
- Hvis kogezone er valgt og "F" eller "ER" vises på displayet efterfulgt af et nummer, skal du kontakte Serviceafdelingen.
- Hvis fejlkoden er "F03", "ER03" eller "E02", kan du prøve at løse problemet ved at følge disse instruktioner:
 - Hvis fejlen "E02" vises, skal du sørge for, at du ikke har trykket på knapperne i mere end 5 sekunder, at der ikke er nogen genstand på HMI-området, og at det er rent og tørt - ved rengøring skal du følge afsnittet om rengøring og vedligeholdelse.
 - Hvis fejlen "F03" vises, skal du prøve at slukke og tænde for kogepladen igen.
 - Hvis fejlen "F04" vises, skal du kontakte Serviceafdelingen og fortælle dem, hvilken kode der vises.

- Hvis kogesektionen ikke virker efter intensiv anvendelse, er den indvendige temperatur i kogesektionen for høj. Vent nogle minutter, til kogesektionen køler af.
- Hvis varmelegemet ikke er konstant tændt, men tænder og slukker cyklisk, selvom effektniveauet ikke ændres på displayet, er dette en del af kogesektionens normale funktion. Tændings-/slukningscyklussen gør det muligt at regulere varmelegemets strøm, og er helt normal. I nogle tilfælde kan en varmebeskyttelse slukke for varmelegemet i et lille stykke tid for at undgå at glasset beskadiges. Nedenfor findes nogle eksempler på dette: Når man tilbereder mad i længere tid med et højt varmeniveau, bruger gryder, der er mindre end varmeelementet og hvis bund ikke er flad.
- Hvis kogesektionen udsender en kort lyd, uden at brugeren trykker på nogen knap, skal du passe på spild af væske på HMI'en. Tør venligst HMI'en og fortsæt med at bruge kogesektionen. Hvis kogesektionen er blevet slukket automatisk, kan det være forårsaget af væske på HMI'en. Tør venligst HMI'en og tænd for kogesektionen igen.

Hvis fejlen stadig ikke er afhjulpet, kontaktes den nærmeste Service.

KUNDESERVICE

Registrér venligst dit produkt på www.whirlpool.eu/register, for at modtage en mere komplet assistance.

FØR SERVICEAFDELINGEN KONTAKTES:

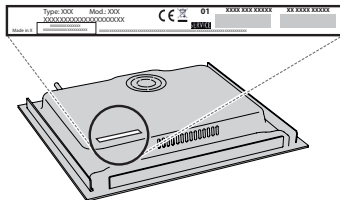
1. Undersøg, om det er muligt selv at rette fejlen ved at følge anvisningerne i afsnittet **FEJLFINDING**.
2. Sluk og tænd igen for apparatet, for at kontrollere, om fejlen er afhjulpet.

KONTAKT DEN NÆRMESTE SERVICEAFDELING, HVIS FEJLEN STADIG FOREKOMMER EFTER DE OVENSTÅENDE KONTROLLER.

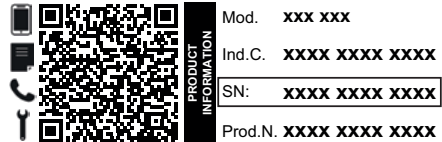
Ring til det nummer, der står i garantihæftet, eller følg anvisningerne på websitet www.whirlpool.eu, for at anmode om assistance.

Når man kontakter vores kundeservice, skal man altid formidle:

- En kort beskrivelse af fejlen.
- Apparatets type og model;



- serienummeret (nummeret efter SN på typepladen, er placeret under apparatet). Serienummeret er også angivet i dokumentationen;



- Din fulde adresse.
- Telefonnummer.

Hvis det er nødvendigt at reparere apparatet, kontaktes et autoriseret servicecenter (som garanti for brug af originale reservedele og en korrekt reparation).

Retningslinjer, standarddokumentation og supplerende produktinformation kan findes ved at:

- Bruge QR-koden på dit apparat;
- Besøge vores website docs.whirlpool.eu;
- Eller som alternativ **kontakte vores serviceafdeling** (Telefonnummeret findes i garantihæftet). Når du kontakter vores serviceafdeling, bedes du angive koderne på dit produkts identifikationskilt.



SIKKERHETSINSTRUKSER

VIKTIG Å LESE OG RESPEKTERE

Last ned den komplette instruksjonsmanualen på <http://docs.whirlpool.eu> eller ring telefonnummeret vist på garantihåndboken.

Les disse sikkerhetsinstruksene før du tar i bruk apparatet. Oppbevar de i nærheten for fremtidig referanse.

Disse anvisningene og selve husholdningsapparatet er utstyrt med viktige meldinger om sikkerhet. Disse må alltid leses og følges. Produsenten fraskriver seg ethvert ansvar for unnlattelse av å følge disse sikkerhetsinstruksjonene, for uegnet bruk av apparatet eller feil innstilling av kontroller.

⚠ **ADVARSEL:** Dersom komfyrtoppens overflate er sprukket, må du ikke bruke apparatet brukes - fare for elektrisk støt.

⚠ **ADVARSEL:** Brannfare: oppbevar ikke gjenstander på kokeoverflatene.

⚠ **FORSIKTIG:** Vær alltid tilstede ved matlagingen. Ved rask tilberedning må en alltid være tilstede.

⚠ **ADVARSEL:** Steking uten tilsyn på komfyrtoppen kan være farlig - fare for brann. Du må **ALDRI** forsøke å slukke ilden med vann: i stedet må du slå av apparatet og dekke over flammene f.eks. med et lokk eller et brannteppe.

⚠ Ikke bruk platetoppen som arbeidsbenk eller støtte. Hold klær eller andre brennbare materialer borte fra apparatet, inntil alle komponenter er fullstendig avkjølt - fare for brann.

⚠ Svært små barn (0-3 år) må holdes unna apparatet. Små barn (3-8 år) må holdes unna apparatet med mindre de holdes under kontinuerlig oppsyn. Barn fra 8 år og oppover og personer med nedsatt sansevne eller fysisk eller psykisk funksjonsevne, eller manglende erfaring og kunnskap kan kun bruke dette apparatet under tilsyn eller hvis de har fått opplæring i trygg bruk av apparatet og forstår farene det innebærer. Barn må ikke leke med apparatet. Barn må ikke foreta rengjørings- eller vedlikeholdsoppgaver uten å være under tilsyn.

⚠ **ADVARSEL:** Apparatet og dets tilgjengelige deler kan bli varme ved bruk. Vær forsiktig så ingen tar på varmeelementene. Barn under 8 år må holdes unna hvis de ikke er under kontinuerlig oppsyn.

TILLATT BRUK

⚠ **FORSIKTIG:** Apparatet er ikke ment til å betjenes ved hjelp av en ekstern bryter, som et tidsur eller et separat fjernkontrollsystem.

⚠ Dette apparatet er beregnet for bruk i husholdninger og på lignende steder som for eksempel: selvbetjente kjøkken for butikkansatte, på kontorer eller på andre arbeidsplasser; gårder; av kunder på hotell, motell, bed & breakfast og andre overnattingssteder.

⚠ Ingen annen bruk er tillatt (f.eks. oppvarming av rom).

⚠ Dette apparatet er ikke for profesjonell bruk. Ikke bruk apparatet utendørs.

MONTERING

⚠ Flytting og montering av produktet må utføres av to eller flere personer - fare for skade. Bruk beskyttende hansker for å pakke ut og installere - fare for kutt.

⚠ Installasjon, inkludert tilkopling av vann (hvis dette er aktuelt), elektrisk tilkopling og reparasjoner må utføres av kvalifiserte teknikere. Forsøk aldri å reparere eller skifte ut noen av delene til apparatet dersom det ikke uttrykkelig oppfordres til dette i bruksanvisningen. Hold barn unna installasjonsområdet. Pakk ut apparatet og forsikre deg om at det ikke er blitt skadet under transporten. Dersom du oppdager problemer, må du kontakte forhandleren eller nærmeste serviceavdeling. Når apparatet er installert må emballasje (plast, deler i isopor osv.) oppbevares utenfor barnas rekkevidde - fare for kvelning. Apparatet må alltid frakobles strømmen før installasjonen - fare for elektrisk støt. Under monteringen må du påse at strømleningen ikke kommer i klem og blir skadet - fare for brann eller elektrisk støt. Bare aktivere apparatene når installasjonen er fullført.

⚠ Utfør alt utskjæringsarbeid før du plasserer apparatet i innbyggingsmøbelet, og fjern trefliser og sagmugg.

⚠ Dersom apparatet ikke er installert over en ovn, må et eget panel (følger ikke med) installeres i rommet under apparatet.

ELEKTRISKE ADVARSLER

⚠ Det må være mulig å koble apparatet fra strømforsyningen ved å trekke ut støpslet dersom støpselet er tilgjengelig, eller ved hjelp av en flerpolet bryter montert over stikkkontakten i henhold til regler for montering av ledninger og apparatet må jordes i samsvar med de nasjonale sikkerhetsforskriftene.

⚠ Ikke bruk skjøteledninger, multi-stikkontakter eller adaptere. De elektriske komponentene må ikke være tilgjengelige etter installasjonen. Bruk ikke apparatet når du er våt eller barfotet. Bruk ikke dette apparatet dersom strømleningen eller støpselet er skadet, hvis det ikke fungerer som det skal, eller dersom det er skadet eller har falt ned.

⚠ Installasjon med en kabelplugg er ikke tillatt med mindre produktet allerede er utstyrt med den som er levert av produsenten.


⚠ Hvis strømleningen er skadet, må den erstattes med en ny av produsenten, serviceavdelingen eller tilsvarende kvalifiserte personer for å unngå farlige situasjoner - fare for elektrisk støt.

RENGJØRING OG VEDLIKEHOLD

⚠ **ADVARSEL:** Påse at apparatet er slått av og koplet fra strømforsyningen for du utfører vedlikehold; Bruk aldri damprengjøringsutstyr - fare for elektrisk støt.

⚠ Ikke brukslipende eller etsende produkt, klorholdige midler eller stålull.

AVHENDING AV EMBALLASJEMATERIAL


Emballasjematerialet er 100 % gjenvinnbart og er merket med gjenvinnings symbolet . De forskjellige delene av emballasjematerialet må avhendes ifølge gjeldende lokale miljøforskrifter.

AVHENDING AV HUSHOLDNINGSAPPARAT

Apparatet er fremstilt av materialer som kan resirkuleres eller brukes om igjen. Apparatet må avfallsbehandles i samsvar med lokale bestemmelser angående avfallsbehandling. For mer utfyllende informasjon om behandling, gjenvinning og resirkulering av elektriske husholdningsapparater, kan du

kontakte de kompetente lokale styresmaktene, det lokale renholdsverket eller butikken der du kjøpte husholdningsapparatet. Dette apparatet er merket i samsvar med det europeiske direktivet 2012/19/EU, Waste Electrical and Electronic Equipment (WEEE) og med reglene som gjelder for Avfall fra elektrisk og elektronisk utstyr av 2013 (og senere endringer).

Ved å sørge for at dette produktet kasseres forskriftsmessig, bidrar du til å forhindre de negative miljø- og helsekonsekvensene feil avfallshåndtering av dette produktet kan forårsake.

Symbolet  på produktet eller på de vedlagte dokumentene, indikerer at det ikke må behandles som vanlig husholdningsavfall, men transporteres til en innsamlingsstasjon for resirkulering av elektrisk og elektronisk utstyr.

RÅD OM ENERGISPARING

Få mest mulig ut av din kokeplates restvarme ved å slå den av et par minutter før du er ferdig med matlagingen.

Bunnen til kjelen eller gryten din bør dekke den varme platen helt; en beholder som er mindre enn den varme platen vil føre til energisløsing.

Dekk dine gryter og kjeler til med tettsittende lokk mens du koker og bruk så lite vann som mulig. Koking uten lokk vil øke energiforbruket betraktelig.

Bruk kun panner og kasseroller med flat bunn.

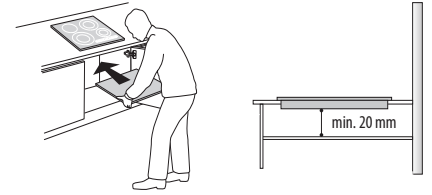
SAMSVARERKLÆRING

Dette apparatet oppfyller kravene til miljøvennlig design i den europeiske forskriften 66/2014 og økodesign for energirelaterte produkter og energiinformasjon (endring) (EU Exit) Forskrifter 2019, i overensstemmelse med den europeiske standarden EN 60350-2.



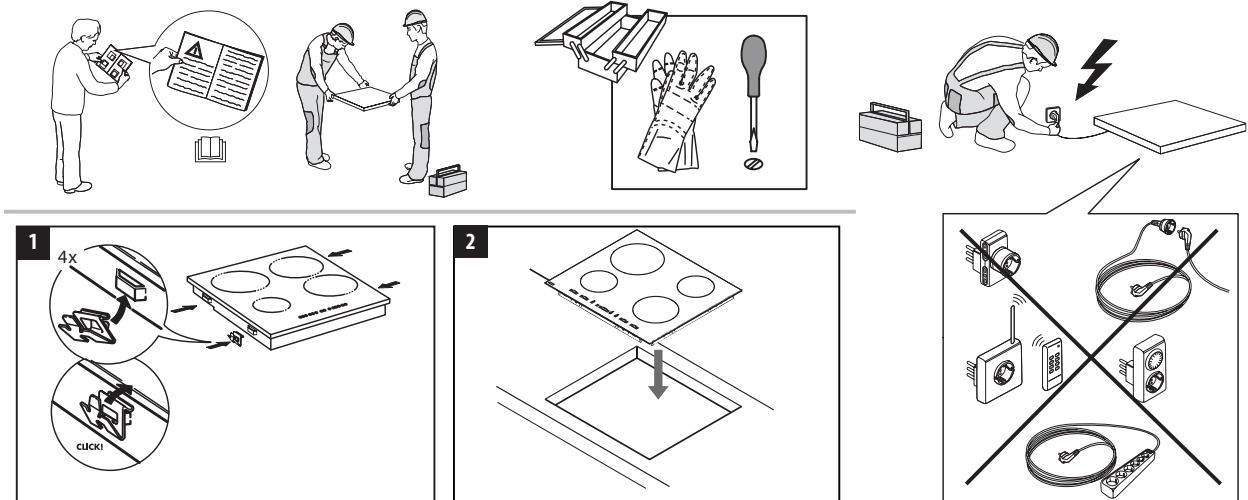
INSTALLATION

- Koketoppen må settes i en benkeplate som er minst 20 mm dyp.
- Det må ikke befinne seg noe mellom kokeflaten og ovnen (krysstenger, braketter, osv.).
- Påse at strømledningen er lang nok til å sikre enkel installasjon.
- Avstanden mellom den nedre glasskeramikflaten og skapet eller panelet som skiller den må være minst 20 mm.
- For innbyggingsmål og installasjon, se bildet i dette avsnittet.
- En minsteavstand må opprettholdes mellom komfyrtoppen og hetten over den. Vennligst se brukerveiledningen til hetten for mer informasjon.
- Sett en pakning, som medfølger, på kokeflaten (med mindre denne allerede er montert), etter at du har gjort overflaten ren.
- **Kokeflaten må ikke monteres nær en oppvask- eller vaskemaskin, for å unngå skade som følge av at elektroniske kretsene kommer i kontakt med damp eller fuktighet.**
- Dersom en ovn er installert under kokeflaten, påse at den er utstyrt med et system for nedkjøling. Dersom temperaturen til de elektroniske kretsene overskrider maksimal tillatt temperatur, vil kokeflaten slå seg av automatisk; i dette tilfellet må du vente noen få sekunder til den interne temperaturen til de elektroniske kretsene når et akseptabelt nivå, på dette punktet vil det på nytt være mulig å slå på kokeflaten.

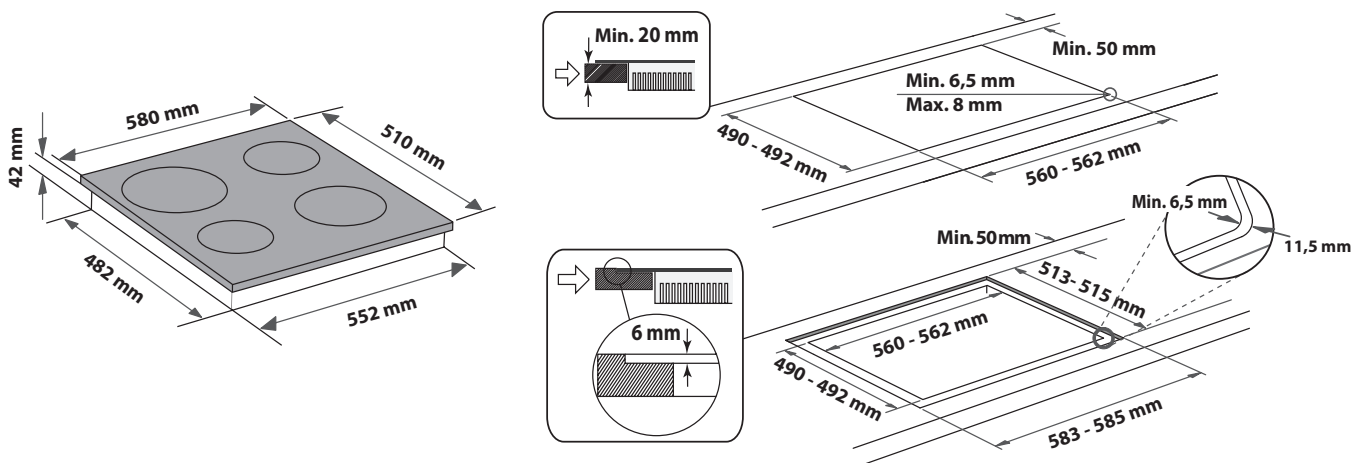
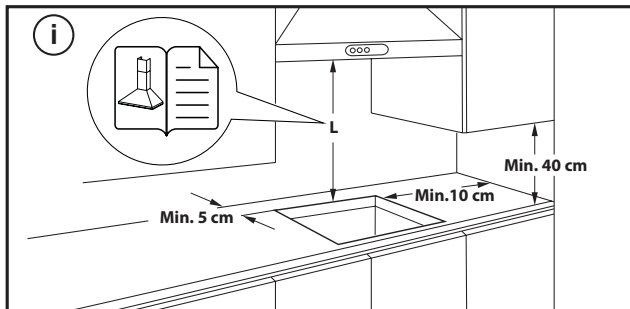


PLASSERING AV KOMFYRTOPPEN

Etter den elektriske koplingen (se kapittelet "Elektrisk kopling") plasser hver festeklemme på de tilhørende plassene på siden av komfyrtoppen slik det er vist på bildet. Dytt deretter komfyrtoppen inn i åpningen og kontroller at glasset er flatt og parallelt med arbeidsbenken. Festeklemmene er utformet og passer uansett hvilket material arbeidsbenken er laget av (tre, marmor, osv).



MÅL OG DISTANSER SOM MÅ OPPRETTHOLDES



FJERNING AV PLATETOPPEN:

For å fjerne platetoppen, må du først koble fra forsyningen av elektrisk strøm. Vi anbefaler på det sterkeste å frigjøre den underliggende delen fra ovnen, skuff, separator eller annet. På dette viset får teknikerne tilgang til den nedre delen av komfyren for å løsne de fire klipsene med en skrutrekker, løft komfyren og fjern den, uten å skade benkeplaten.

ELEKTRISK TILKOPLING

Elektriske tilkoblinger må foretas før du kobler apparatet til strømforsyningen.

Strømledningen er ikke inkludert i pakken - husk at du må ha din egen strømledning.




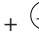
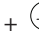
Installasjon må foretas av kvalifisert personale som kjenner de gjeldende sikkerhets- og installasjonsforskriftene. Spesielt må installasjonen må utføres i overensstemmelse med regelverket til den lokale leverandøren av elektrisk energi.

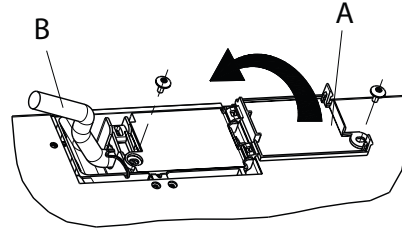
Pass på at spenningen som er angitt på typeplaten, som befinner seg på bunnen av apparatet, er den samme som spenningen i hjemmet.

Det er påbudt å jorde apparatet: bruk kun ledere (inkludert lederen mot jord) av riktig størrelse og snitt.

TILKOBLING TIL REKKEKLEMMEN


Til den elektriske tilkoblingen må du bruke en H05RR-F eller H05V2V2-F-kabel som angitt i tabellen nedenfor.

MATESPENNINGEN	LEDERE ANTALL x STØRRELSE
220-240V ~ + 	3 x 4 mm ²
230-240V ~ + 	3 x 4 mm ² (kun Australia)
220-240V 3~ + 	4 x 1,5 mm ²
380-415V 3N~ + 	5 x 1,5 mm ²
380-425V 2N~ + 	4 x 1,5 mm ²



Apparatet må koples til strømmettet ved bruk av en flerpolet skillebryter med en kontaktåpning på minst 3 mm.

VIKTIG: strømledningen må være lang nok slik at kokeflaten kan flyttes fra arbeidsbenken og den må plasseres slik at skade og overoppvarming som skyldes at den kommer i kontakt med basen, unngås.

MERK: Den gule og grønne jordledning skal kobles til kontakten med symbolet  og må være lengre enn de andre ledningene.

- Fjern ca. 70 mm av mantelen på strømledningen (**B**).
- Fjern ca. 10 mm av mantelen på lederne. Før deretter strømledningen inn i kabelklemmen og koble ledningene til klemmene som vist i koblingskjemaet plassert i nærheten av selve klemmebrettet.
- Fest strømledningen (**B**) ved hjelp av kabelklemmen.
- Lukk klemmebrettet med lokket (**A**) og fest det med skruen som medfølger.
- Etter at du har utført den elektriske kabling, monter komfyrtoppen ovenfra og fest den til de støttende fjærende, slik illustrasjonen viser det.

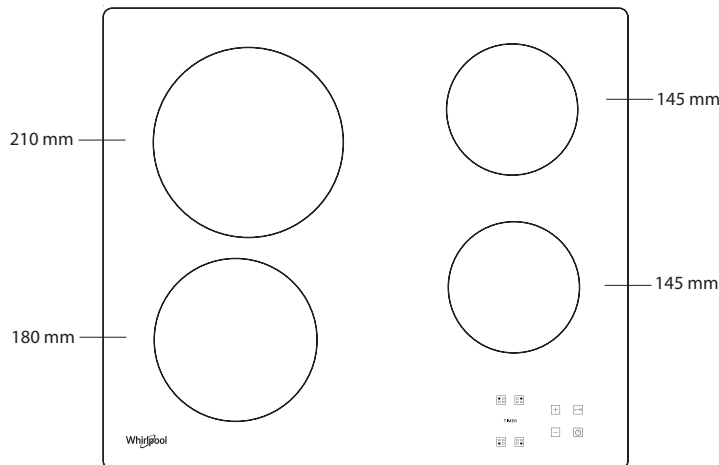
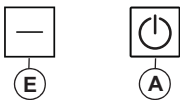
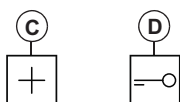
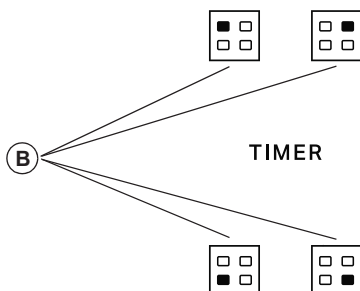
**MANGE TAKK FOR AT DU HAR KJØPT ET WHIRLPOOL-PRODUKT**

For å motta en mer fullstendig assistanse, vennligst registrer produktet ditt på www.whirlpool.eu/register.

VENNLIGST SKANNER QR-KODEN PÅ DITT APPARAT FOR Å FÅ YTTERLIGERE INFORMASJON



Før du bruker apparatet må du lese sikkerhetsanvisningene nøye.

PRODUKTBESKRIVELSE**BETJENINGSPANEL**

- A** På/Av
- B** Ævalg av kokesone og tidsur
- C-E** Øke og minske varmeinnstilling
- D** Tastsperrer

FØRSTE GANGS BRUK

Ved første gangs montering foretar kontrollpanelet en funksjonstest i ca. 1 sekund. Etter det går det automatisk til "Tastsperrer". Trykk og hold knapp "D" for å deaktivere funksjonen; det høres et lydsignal og den tilsvarende lysdioden slukkes.

MERK: Hvis det oppstår en nullstilling, gjentar du prosedyren som beskrevet over.

DAGLIG BRUK**FOR Å SLÅ PLATETOPPEN PÅ/AV**

Hold knapp "A" inne i ca. 2 sekunder for å slå komfyrtoppen på. De 4 kokesonene viser "0". Hvis ingen av kokesonene aktiveres i løpet av 20 sekunder, slås komfyrtoppen automatisk av som en sikkerhetsforholdsregel.

AKTIVERING OG REGULERING AV KOKESONER

Trykk på en av knappene "B" som tilsvarer kokesonen du har tenkt å bruke. Velg ønsket varmeinnstilling med knappene "E" eller "C". De andre valgbare tilberedningsinnstillingene går fra 1 til 9. Trykk på knappene "+/-" samtidig for å avbryte alle innstillinger.

VIKTIG: kontrollen deaktiveres 10 sekunder etter at varmeinnstillingen har blitt valgt.

For å endre varmeinnstillingen trykker du først på valgknappen "B" igjen og endrer deretter innstillingen med knappene "E" eller "C".

TIMER

For å stille inn Timer-funksjonen, velger du ønsket kokesone og strøminnstilling og trykker deretter kokesoneknappen igjen og en lysende prikk dukker opp på displayet for den tidsurkontrollerte kokesonen. Indikasjonen "00" blinker på de 2 displayene. Trykk på knappene "E" eller "C" for å stille inn tiden fra 1 til 99.

VIKTIG: etter 10 sekunder viser tidsur-displayene strøminnstillingen på de andre kokesonene.

For å se gjenværende tilberedningstid, trykker du på den tidsurstyrte kokesonetasten to ganger.

FUNKSJONEN A

Denne funksjonen gjør det mulig å automatisk redusere kokesonens effektnivå fra den høyeste verdien (nivå 9) til den som er valgt av brukeren for et senere trinn i tilberedningen.

For å aktivere denne funksjonen, trykk først på "+" knappen når nivå 9 er nådd. Display viser "A" og "9" blinke vekselvis med lav lysstyrke.

På dette punktet, velg ønsket effektnivå (mindre enn 9) med "-" knappen.

“A” og valgt nivå blinker vekselvis med lav lysstyrke på display. Funksjonen er aktivert når “A” og valgt nivå blinker vekselvis med høy lysstyrke på display. Når “A” ikke lenger er synlig på display (“A” funksjonen slår seg av automatisk etter flere minutter, avhengig av innstilt effektnivå), tilberedningsprosessen fortsetter med lav effekt og display viser kun det valgte effektnivået. **N.B.:** denne funksjonen er ikke mulig med nivå 9.



TASTENSPPEREN

Tastelås-funksjonen slås på ved å holde inne knapp “D” til en prikk tennes over funksjonsknappen. Kontrollpanelet er låst med unntak av-funksjonen. Funksjonen forblir på selv etter at platetoppen slås av og på igjen, og kan deaktiveres ved å trykke på knapp “D” igjen til prikken over funksjonsknappen slukkes. Når platetoppen er av og tastsperrers lås er aktivert må du, for å slå på platetoppen, først deaktivere tastsperrers lås-funksjon ved å trykke på knappen “D” igjen helt til prikken over funksjonsknappen slukkes.

Hvis det er sølt vann eller væske fra kjelene eller det ligger gjenstander på kontrollene kan dette føre til at låsen til tastsperreren utilsiktet aktiveres eller deaktiveres.



RESTVARMEINDIKATOR

Når kokesonen er slått av, fortsetter restvarmeindikatoren “H” å lyse, eller blinker vekselvis med “0” til komfyrtoppens temperatur vender tilbake til et trygt nivå.

VIKTIG: Komfyrtoppens sikkerhetsfunksjonen inkluderer en automatisk avstengningsfunksjon. Forlenget bruk av samme varmeinnstilling fører til at kokesonen slås av automatisk (for eksempel, etter ca. 1 time ved maksimal varmeinnstilling slås kokesonen av).

VIKTIG: For å unngå varig skade på komfyrtoppen:

- bruk ikke kjeler med bunner som ikke er helt flate;
- bruk ikke metallkjeler med emaljert bunn;
- plasser ikke varme kjeler/panner på betjeningspanelet.

Komfyrtoppen er også utstyrt med funksjonen “automatisk avslåing” som slår av kokesonen dersom en ikke har endret effektnivå etter en fastsatt tidsramme avhengig av effektnivået som er stilt inn. I tabellen vises varighet for hvert effektnivå.

EFFEKTIVÅ	TID FOR AUTOMATISK AVSLÅING
0	30 sekunder
1	10 timer
2	5 timer
3	5 timer
4	4 timer
5	3 timer
6	2 timer
7	2 timer
8	2 timer
9	1 time

TABELL FOR TILBEREDNING

STRØMNIVÅ		TYPE TILBEREDNING	NIVÅ BRUK (angir erfaring og tilberedningsvaner)
Maksimal effekt	9	Koking	Ideell for å øke temperaturen til maten ved hurtig koking dersom det brukes vann eller væske som raskt koker.
	9 – 8	Brenne	Ideell for bruning, start av tilberedningen, steking av frosne produkt, rask koking.
Høy styrke	8 – 7	Bruning – småkoking – grilling	Ideell for bruning, ved å opprettholde høy koketemperatur, koking og grilling (kort varighet, 5-10 minutter).
	7 – 6	Steking – koking – grilling	Ideell for småkoking, koking og grilling (middels varighet, 10-20 minutter), forvarming og steking.
Middels effekt	6 – 5	Skånsom steking	Ideell for steking av egg, omeletter.
	5 – 4	Koking – småkoking – stuing	Ideell for retter som skal koke lenge (ris, sauser, steker, fisk) med væsker (f.eks. vann, vin, kraft, melk), samt tykning av pastasauser.
	4 – 3	Tykning – kreming av pasta	
Lavt strømnivå	2 – 1	Holde mat varm – kreming av risotto	Ideell for å holde varm mat som nettopp er tilberedt (f.eks. sauser, supper, minestrone), kreming risotto og holde og holde serveringsfatene varme.
Minste effekt	1	Tining	Ideell for tining av små produkt og smelting av sjokolade eller smør.
Ingen strøm	0	–	Platetopp i modus for stand-by eller off (mulig restvarme etter tilberedningen, indikert ved bokstaven “H”).

RENGJØRING OG VEDLIKEHOLD

Koble husholdningsapparatet fra strømmettet.

- Ikke bruk damprenngjøringsutstyr.
- Ikke bruk skuresvamper eller stålull siden disse kan skade glasset.
- Rengjør og fjern matrester fra platetoppen (når den er kald), etter hver bruk.
- Sukker, og matvarer med høyt sukkerinnhold, kan skade overflaten og må fjernes umiddelbart.

- Salt, sukker og sand kan lage riper i glassoverflaten.
- Bruk en myk klut, absorberende kjøkkenpapir eller et spesialrengjøringsmiddel for platetopper (følg produsentens anbefalinger).
- Væskesøl i kokesonene kan føre til at kjelene flytter seg eller vibrerer.
- Tørk platetoppen grundig etter rengjøring.

PROBLEMLØSNING

Dersom komfyrtoppen ikke fungerer på riktig måte, se Problemløsningsveiledningen for å finne ut hva som er problemet før du ringer Ettersalgsservicen.

- Les og følg instruksene som gis i avsnittet "Daglig bruk".
- Kontroller at strømmen ikke er avslått.
- Tørk komfyrtoppen grundig etter rengjøring.
- Dersom en tilberedningssone er valgt og "F" eller "ER" vises på display etterfulgt av et nummer, ta kontakt med ettersalgstjenesten og informer dem.
- Dersom feilkoden er **F03**", **ER03**" eller **E02**", forsøk å løse problemet ved å følge disse instruksene:
 - Dersom feilkoden **E02**" vises, må du kontrollere at du ikke har trykket på knappene i mer enn 5 sekunder, ingen gjenstander befinner seg på HMI-området og at området er rent og tørt - ved renhold må du følge rådene i avsnittet om renhold og vedlikehold.
 - Dersom feilen **F03**" vises, forsøk å slå av og på koketoppen.
 - Dersom feilen **F04**" vises, ta kontakt med ettersalgsservicen og la de vite hvilken kode som er vist.

- Hvis platetoppen ikke virker etter intensiv bruk, betyr det at temperaturen inne i apparatet er for høy. Vent noen minutter til platetoppen har avkjølt seg.
- Dersom varmeren ikke er fast på, men slår seg av og på syklisk, selv om effektpaken på display ikke endres, er dette del av den normale funksjonen til platetoppen. On/off syklusen gjør det mulig å regulere varmeren og den fungerer på normalt vis. I noen tilfeller kan en termisk beskyttelse slå av varmeren for en stund for å unngå skade på glasset. Eksempel på disse tilfellene: koking over lengre tid ved høy effekt, dersom en benytter kjeler som er mindre enn varmeelementet, og kjeler som ikke har flat bunn.
- Dersom platetoppen gir fra seg en kort lyd uten at kunden trykker på noen av knappene, vennligst vær oppmerksom på væske som søles på HMI. Tørk HMI og fortsett å bruke platetoppen. Dersom platetoppen slår seg av automatisk, kan dette skyldes væske til stede på HMI. Tørk HMI og slå på platetoppen igjen.

Dersom problemet vedvarer etter disse kontrollene, kontakter du nærmeste Ettersalgsservice.

ETTERSALGSSERVICE

For å motta en mer fullstendig assistanse, vær vennlig å registrere produktet ditt på www.whirlpool.eu/register.

FØR DU RINGER ETTERSALGSSERVICEN:

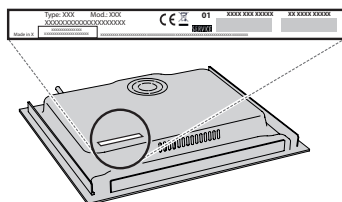
1. Se om du kan løse problemet selv ved hjelp av forslagene gitt i **PROBLEMLØSNING**.
2. Slå husholdningsapparatet av og på igjen for å se om problemet har løst seg.

TA KONTAKT MED NÆRMESTE ETTERSALGSSERVICE DERSOM PROBLEMET FORTSATT VEDVARER ETTER DISSE KONTROLLENE.

For å motta assistanse, ring nummeret vist i garantiheftet eller følg instruksene på nettstedet www.whirlpool.eu.

Når du kontakter vår Kundeservice, må du alltid spesifisere:

- en kort beskrivelse av feilen;
- nøyaktig type og modell av apparatet;



- serienummeret (nummeret etter teksten SN på typeskiltet under apparatet). Serienummeret indikeres også i dokumentasjonen;



- din fulle adresse;
- ditt telefonnummer.

Dersom du har behov for en reparasjon, må du henvende deg til en autorisert ettersalgsservice (for å garantere at originale reservedeler vil bli brukt og at reparasjoner utføres på riktig måte).

Retningslinjer, standarddokumentasjon og ekstra produktinformasjon vil du kunne finne ved å:

- Bruke QR-koden i apparatet ditt;
- Ved å besøke vårt nettsted docs.whirlpool.eu;
- Alternativt kan du **kontakte vår Ettersalgsservice** (se telefonnummeret i garantiheftet). Når du kontakter vår Ettersalgsservice, vennligst oppgi kodene du finner på produktets typeskilt.



SÄKERHETSANVISNINGAR

VIKTIGT ATT LÄSA OCH FÖLJA

Ladda ner den kompletta instruktionsmanualen på <http://docs.whirlpool.eu> eller ring telefonnumret som finns i garantihäftet.

Innan du använder apparaten ska du läsa dessa säkerhetsanvisningar. Förvara dem till hands för framtida bruk.

I dessa instruktioner och på själva apparaten ges viktiga säkerhetsföreskrifter som måste iakttas hela tiden. Tillverkaren fransäger sig allt ansvar för underlåtenhet att följa dessa säkerhetsinstruktioner, för olämplig användning av apparaten eller vid felaktig inställning av kontrollerna.

⚠ **VARNING:** Om spishällens yta är sprucken ska apparaten inte användas - risk för elchock.

⚠ **VARNING:** Risk för brand: Förvara inte föremål på värmezonen.

⚠ **FÖRSIKTIGHET:** Tillagningen ska övervakas. Kortvarig tillagning ska övervakas hela tiden.

⚠ **VARNING:** Tillagning på spishällen med fett och olja utan uppsyn kan vara farlig - risk för brand. Försök ALDRIG att släcka brand med vatten: Stäng istället av apparaten och täck över lågorna med t.ex. ett lock eller en brandfilt.

⚠ Använd inte spishällen som arbetsyta eller som underlägg. Håll kläder eller andra brännbara material borta från apparaten tills alla komponenter har svalnat helt - risk för brand.

⚠ Mycket små barn (0-3 år) ska hållas på avstånd från apparaten. Små barn (3-8 år) ska hållas på avstånd från apparaten förutom om de hålls under ständig tillsyn. Barn från 8 års ålder och personer med nedsatt fysisk, sensorisk eller mental förmåga, eller bristande erfarenhet och kunskap får lov att använda produkten om de hålls under uppsikt eller om de har fått instruktioner om hur produkten ska användas på ett säkert sätt och förutsatt att de förstår vilka faror det innebär. Barn får inte leka med apparaten. Rengöring och användarunderhåll får inte utföras av barn utan tillsyn.

⚠ **VARNING:** Denna produkt och dess åtkomliga delar blir heta under användning. Var noga med att inte vidröra värmeelementen. Barn under 8 års ålder ska hållas på avstånd förutom om de hålls under ständig tillsyn.

TILLÅTEN ANVÄNDNING

⚠ **FÖRSIKTIGHET:** Apparaten är inte avsedd att drivas med hjälp av en extern omkopplingsanordning, såsom en timer, eller ett separat fjärrstyrt system.

⚠ Den här apparaten är avsedd för hushållsbruk och liknande typ av användning, som t.ex. i personalrum i butiker, kontor och andra arbetsplatser På lantgårdsboende Av kunder på hotell, motell och andra inkvarteringsanläggningar.

⚠ Ingen annan användning är tillåten (t.ex. för att värma rummet).

⚠ Denna apparat är inte avsedd för professionellt bruk. Använd inte apparaten utomhus.

INSTALLATION

⚠ För att hantera och installera apparaten krävs minst två personer - risk för skada. Använd skyddshandskar vid uppackning och installation - risk för skärskada.

⚠ Installation, inklusive vattentillförsel (i förekommande fall), elektriska anslutningar och reparationer ska utföras av behörig tekniker. Reparera och byt inte ut delar på produkten om detta inte direkt anges i bruksanvisningen. Håll barn på avstånd från installationsplatsen. När apparaten har packats upp, kontrollera att den inte har skadats under transporten. Kontakta din återförsäljare eller närmaste kundservice om du upptäcker något problem. Efter installationen ska förpackningsmaterialet (delar av plast, frigolit osv.) förvaras utom räckhåll för barn - risk för kvävning. Apparaten ska kopplas bort från strömförsörjningen innan någon installationsåtgärd utförs - risk för elchock. Under installation, se till att apparaten inte skadar nätkabeln - risk för brand eller elchock. Aktivera apparaten endast när installationen har slutförts.

⚠ Utför alla skåputsåtgärder innan apparaten monteras och ta bort alla träflis och sågspån.

⚠ Om apparaten inte monteras över en ugn är det nödvändigt att placera en skiljepanel (medföljer inte) i utrymmet under apparaten.

ELEKTRISKA VARNINGAR

⚠ Det måste alltid kunna gå att koppla bort apparaten från elnätet, antingen genom att ta ut stickproppen från eluttaget, om åtkomligt, eller med hjälp av en flerpolig strömbrytare som installeras före eluttaget enligt kabeldragningsbestämmelserna. Dessutom ska apparaten jordas i enlighet med nationella elstandarder.

⚠ Använd inte förlängningskablar, grenuttag eller adaptrar. När installationen är klar ska inte användaren kunna få åtkomst till de elektriska komponenterna. Använd inte apparaten om du är våt eller barfota. Använd inte denna apparat om nätkabeln eller stickkontakten är skadad, om den inte fungerar som den ska eller om den har skadats eller fallit ned på golvet.

⚠ Installation med hjälp av en nätkabelkontakt är inte tillåten om produkten inte redan är utrustad med en sådan som tillhandahålls av tillverkaren.


⚠ Om nätkabeln är skadad ska den bytas ut mot en identisk av tillverkaren, tillverkarens servicesagent eller liknande kvalificerad tekniker för att undvika fara - risk för elchock.

RENGÖRING OCH UNDERHÅLL

⚠ **VARNING:** Försäkra dig om att apparaten är avstängd och bortkopplad från strömförsörjningen innan någon form av underhållsåtgärd påbörjas. Använd aldrig ångtvätt - risk för elchock.

⚠ Använd inte slipande eller frätande produkter, klorbaserade rengöringsmedel eller stålull.

BORTSKAFFANDE AV FÖRPACKNINGSMATERIAL


Förpackningsmaterialet kan återvinnas till 100%, vilket framgår av återvinningssymbolen .

Förpackningsmaterialets olika delar ska därför bortskaffas på ett ansvarsfullt sätt och i enlighet med den lokala lagstiftningen om avfallshantering.

KASSERING AV GAMLA HUSHÅLLSAPPARATER

Denna apparat är tillverkad av material som kan återanvändas eller återvinnas. Kassera den enligt lokala bestämmelser för avfallshantering. För mer information om hantering, återvinning och återanvändning av elektriska hushållsapparater, var god kontakta de lokala myndigheterna, ortens sophanteringstjänst eller butiken där apparaten inhandlades. Denna apparat är märkt i enlighet med direktiv 2012/19/EU om avfall som utgörs av eller innehåller elektrisk och elektronisk utrustning (Waste Electrical and Electronic Equipment, WEEE) och med regleringen för elektrisk och elektronisk utrustning 2013 (i dess ändrade betydelse).

Genom att säkerställa att denna produkt bortskaffas på ett korrekt sätt hjälper du till att förhindra negativa konsekvenser på miljön och människors hälsa.

Symbolen  på produkten eller i medföljande dokument anger att denna produkt inte får kasseras som hushållsavfall, utan ska lämnas in till en miljöstation för återvinning av elektrisk och elektronisk utrustning.

MILJÖRÅD

Utnyttja värmeplattans restvärme genom att stänga av den några minuter innan tillagningen är klar.

Kastrullens eller stekpannans botten ska täcka plattan helt. Ett kärl som är mindre än värmeplattan kommer att slösa energi.

Täck över dina kastruller och stekpannor med lock under tillagningen och använd så lite vatten som möjligt. Vid tillagning utan lock ökar energiförbrukningen.

Använd endast flatbottnade kastruller och stekpannor.

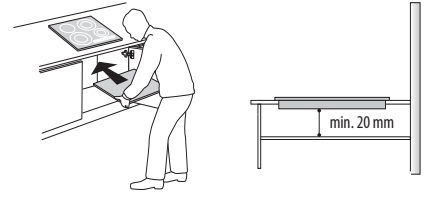
FÖRSÄKRAN OM ÖVERENSSTÄMMELSE

Denna apparat uppfyller kraven för ekodesign enligt Europeiska förordningen 66/2014 och föreskrifterna för ekodesign för energirelaterade produkter och energiinformation (rättelse) (EU Exit) 2019, i enlighet med den Europeiska standarden EN 60350-2.



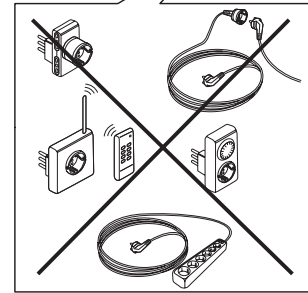
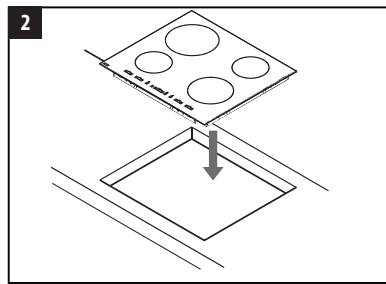
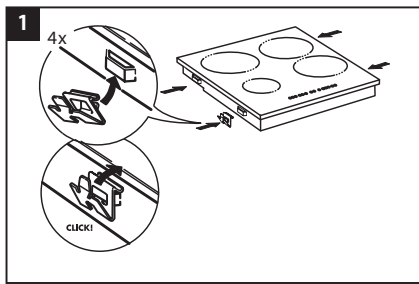
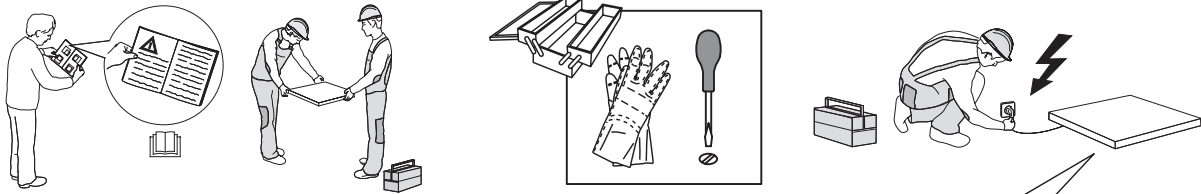
INSTALLATION

- Spishällen ska placeras i en bänkskiva som är minst 20 mm djup.
- Det får inte finnas någonting mellan spishällen och ugnen (tvärsnitt, fästen, etc.).
- Se till att elsladden är tillräckligt lång för att tillåta en bekväm installation.
- Avståndet mellan undersidan av glaskeramikhällen och skåpet eller avskiljningspanelen måste vara **åtminstone 20 mm**.
- För inbyggda dimensioner och installation, se bilden i denna paragraf.
- Du måste iaktta ett minimiavstånd mellan spishällen och spisfläkten ovanför den. Se spisfläktens bruksanvisning för mer information.
- Fäst den bifogade packningen på spishällen (om den inte redan blivit fäst) efter att du rengjort dess yta.
- **Installera inte spishällen nära en diskmaskin eller en tvättmaskin, så att de elektriska kretsarna inte kommer i kontakt med ånga eller fukt, vilket kan skada dem.**
- Om en ugn är installerad under spishällen, säkerställ att den är utrustad med ett kylningssystem. Om temperaturen hos spishällens elektriska kretsar överskrider den maximala temperaturen kommer den att slås av automatiskt. I detta fall, vänta i ett par minuter tills den interna temperaturen hos de elektriska kretsarna når en tolerabel nivå, vid vilken det är möjligt att slå på spishällen igen.

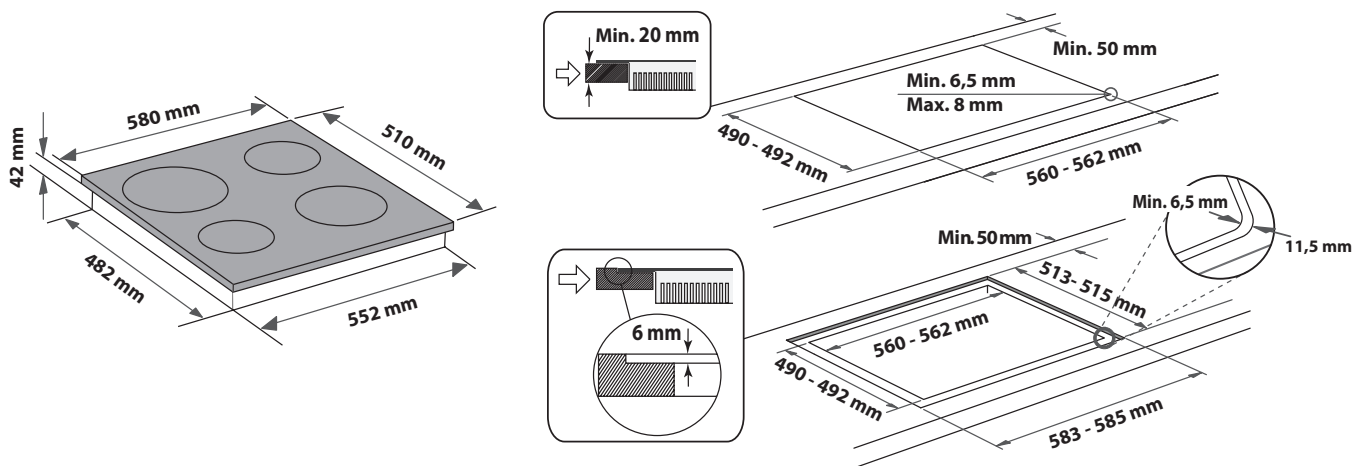
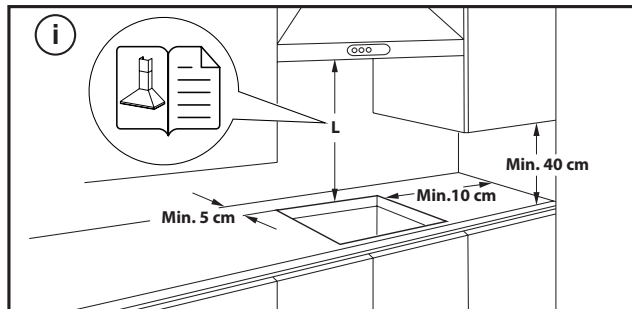


SPISHÄLLENS PLACERING

När elanslutningen är klar (se kapitlet "Elektrisk anslutning") ska du placera fixeringsklämmorna i deras öppningar på spishällens sidor såsom bilden visar. Tryck sedan ner spishällen i inbyggnadsmöbeln och kontrollera att glaset är parallellt med bänkskivan. Fixeringsklämmorna är utformade för att passa alla typer av bänkskivor (trä, marmor osv.).



DIMENSIONER OCH DISTANSER SOM SKA IAKTAS



TA BORT SPISHÄLLEN:

För att ta bort spishällen måste den först kopplas bort från elnätet. Det rekommenderas starkt att frigöra den nedre delen från ugnen, lådan, skiljeväggen eller annat. På så sätt kan teknikern komma åt den nedre delen av spishällen för att lossa de fyra klämmorna med en skruvmejsel, lyfta spishällen och ta bort den utan att skada bänkskivan.

ELEKTRISK ANSLUTNING

Alla elektriska anslutningar måste göras innan spishällen ansluts till elnätet.

Elsladden ingår inte i förpackningen - kom ihåg att förbereda din egen elsladd.




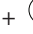
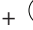
Installationen ska utföras av en behörig fackman som har kännedom om gällande säkerhets- och installationsbestämmelser. Det är särskilt viktigt att installationen utförs i enlighet med ditt lokala elbolags bestämmelser.

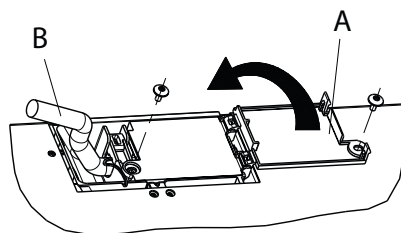
Kontrollera att spänningen som anges på typskylten på undersidan av apparaten är samma som nätspänningen.

Enligt lag är det obligatoriskt att jorda apparaten: använd endast ledare (inkluderat jordledare) med passande dimensioner.

ANSLUTNING TILL KOPPLINGSPLINT

Använd en H05RR-F eller H05V2V2-F-kabel för den elektriska anslutningen enligt tabellen nedan.

MATNINGSSPÄNNING	LEDARE ANTAL x STORLEK
220-240V ~+ 	3 x 4 mm ²
230-240V ~+ 	3 x 4 mm ² (endast Australien)
220-240V 3~+ 	4 x 1,5 mm ²
380-415V 3N~+ 	5 x 1,5 mm ²
380-425V 2N~+ 	4 x 1,5 mm ²



Apparaten måste vara kopplad till elnätet genom en allpolig säkerhetsbrytare med ett kontaktavstånd på minst 3 mm.

OBS: elsladden måste vara tillräckligt lång för spishällen ska kunna avlägsnas från bänkskivan och måste vara placerad på så sätt att skador eller överhettning orsakad av kontakt med spishällens undersida undviks.

NOTERA: Den gula/gröna jordledningen ska anslutas till kontakten med symbolen  och ska vara längre än de övriga ledningarna.

- Skala av cirka 70 mm av elsladdens isolering (**B**).
- Skala av cirka 10 mm av ledningarnas isolering. För sedan in elsladden i kabelklämman och anslut ledningarna till kopplingsplinten i enlighet med kopplingsschemat, som är placerat nära plinten.
- Säkra elsladden (**B**) med kabelklämman.
- Stäng kopplingsdosans lock (**A**) och fäst det med den medföljande skruven.
- När den elektriska anslutningen är klar, sätt in spishällen ovanifrån och haka fast den i fjäderupphängningen enligt figuren.



KIITOS SIITÄ, ETTÄ OSTIT WHIRLPOOL-TUOTTEEN
Täyden tuen saamiseksi on tuote rekisteröitävä osoitteessa
www.whirlpool.eu/register.

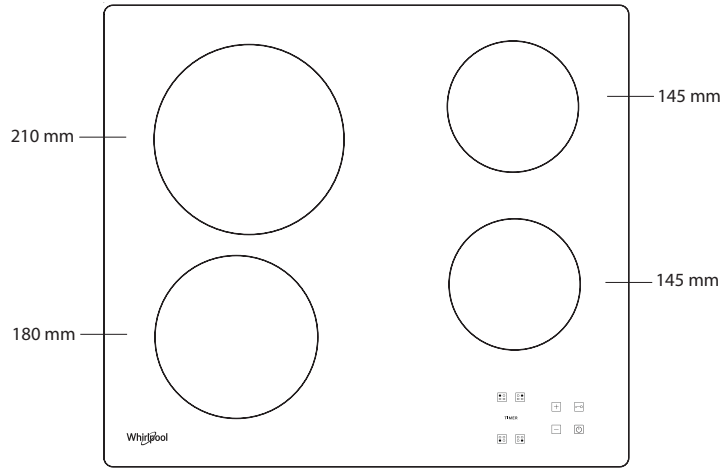


Lue turvallisuusohjeet huolellisesti ennen laitteen käyttöä.

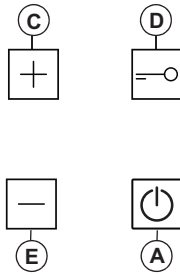
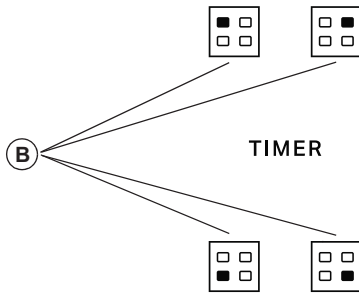
**SKANNAA TUOTTEESSASI
OLEVA QR-KOODI LISÄTIETOJA
VARTEN**



BESKRIVNING AV PRODUKTEN



KONTROLLPANEL



- A** På/av
- B** Val av kokzon och timer
- C-E** Ökning och minskning av värme
- D** Knapplåset

FÖRSTA ANVÄNDNING AV PRODUKTEN

Vid första användning utförs en funktionskontroll under 1 sekund och knapplåset aktiveras sedan på kontrollpanelen.
Avaktivera funktionen genom att trycka in "D" tills en ljudsignal hörs och

motsvarande led-indikator släcks.

OBS! Upprepa ovanstående procedur om apparaten återställs.

DAGLIG ANVÄNDNING



SLÅ PÅ/STÄNGA AV SPISHÄLLEN

Tryck in knappen "A" i cirka 2 sekunder för att slå på spishälLEN. De 4 kokzonsdisplayerna visar "0". SpishälLEN stängs av automatiskt som en säkerhetsfunktion om ingen kokzon aktiveras inom 20 sekunder.

SÄTTA PÅ OCH JUSTERA KOKZONER

Tryck på en av knapparna "B" som motsvarar kokzonen som du vill använda. Ställ in önskad effektnivå med knapparna "E" eller "C". Effekten kan ställas in i steg från 1 till 9. Tryck in knapparna "+/-" samtidigt för att avbryta alla inställningar.

VIKTIGT: reglaget avaktiveras 10 sekunder efter att effekten har ställts in. Ändra effekten genom att först trycka på en av knapparna "B" igen och ändra sedan inställningen med knapparna "E" eller "C".

TIMER

Ställ in timern genom att välja önskad kokzon och effektnivå och tryck sedan på kokzonens knapp igen. En indikator tänds på displayen för den timerstyrda kokzonen. "00" blinkar på de 2 displayerna. Tryck på knappen "E" eller "C" för att ställa in tiden i minuter (1–99).

VIKTIGT: efter 10 sekunder visar timerdisplayerna effektnivån för övriga kokzoner.

Tryck på den timerstyrda kokzonen knapp två gånger för att visa återstående koktid.

FUNKTION A

Denna funktion tillåter att automatiskt sänka kokzonen effektnivå från det högsta värdet (nivå 9) till den nivå som användaren väljer för ett senare skede av matlagningen.

För att aktivera denna funktion trycker du först på knappen "+" när nivå 9 har nåtts.

Displayen visar "A" och "9" blinkar omväxlande med låg ljusstyrka.

Välj då önskad effektnivå (lägre än 9) med knappen "-".

"A" och den valda nivån blinkar omväxlande med låg ljusstyrka på displayen.

Funktionen är aktiverad efter att "A" och den valda nivån blinkar omväxlande med hög ljusstyrka på displayen.

När "A" inte längre visas på displayen (funktionen "A" stängs av automatiskt efter några minuter, beroende på den inställda effektnivån) fortsätter matlagningen med lägre effekt och displayen visar endast den valda effektnivån.

OBS! Denna funktion kan inte användas med nivå 9.



KNAPPLÅSET

Slå på knapplåset genom att trycka på knappen "D" tills en indikator tänds ovanför funktionens knapp. Kontrollpanelen är låst förutom för avstängningsfunktionen. Funktionen förblir aktiv även efter att spishällen har stängts av. Avaktivera funktionen genom att trycka på knappen "D" igen tills indikatorn ovanför funktionens knapp släcks.

För att slå på spisen när spisen är avstängd och knapps lås är aktiverat ska du först avaktivera knapps låsfunktion genom att trycka på knappen "D" igen tills pricken ovanför funktionsknappen slocknar.

Om vatten, utspild vätska från kastruller eller föremål hamnar på reglagen kan knapplåset aktiveras eller avaktiveras oavsiktligt.



RESTVÄRMEINDIKATOR

Restvärmeindikatorn "H" förblir tänd eller blinkar med "0" efter att kokzonen har stängts av tills temperaturen har svalnat.

VIKTIGT: Spishällen är av säkerhetsskäl utrustad med en automatisk avstängningsfunktion. Om samma effektinställning används under en längre tid stängs kokzonen av automatiskt. Exempelvis stängs kokzonen av efter en timme vid den högsta effektinställningen.

VIKTIGT: För att undvika permanenta skador på spishällen:

- använd inte kok- och stekkärl med ojämna bottenar;
- använd inte kok- och stekkärl med emaljerade bottenar;
- placera inte varma kok- och stekkärl på kontrollpanelen.

Spishällen är även försedd med en funktion för "automatisk avstängning" som stänger av kokzonen om effektnivån inte ändras inom ett visst tidsintervall beroende på effektinställningen. Tidsgränsen för varje effektnivå anges i tabellen nedan.

EFFEKTIVÅ	AUTOMATISK AVSTÄNGNING
0	30 SEKUNDER
1	10 timme
2	5 timme
3	5 timme
4	4 timme
5	3 timme
6	2 timmar
7	2 timmar
8	2 timmar
9	1 timme

TILLAGNINGSTABELL

EFFEKTIVÅ		TYP AV TILLAGNING	ANVÄND NIVÅ (anger tillagningserfarenhet och vanor)
Maximala effekt	9	Koka	Perfekt för att snabbt öka matens temperatur för att få vatten att koka upp snabbt eller för att snabbt värma upp flytande mat.
	9 – 8	Steka	Perfekt för att bryna, starta matlagningen, steka frysta produkter, snabbkoka.
Hög effekt	8 – 7	Bryna – bibehålla kokpunkten – grilla	Perfekt för att bryna, bibehålla en hög kokpunkt, matlagning och grillning (kortvarig, 5-10 minuter).
	7 – 6	Steka – koka – grilla	Perfekt för att bibehålla en låg kokpunkt, koka och grilla (medellång, 10-20 minuter), förvärma och steka.
Medeleffekt	6 – 5	Mild stekning	Perfekt för att steka ägg, omelett.
	5 – 4	Koka – sjuda – stuva	Perfekt för långvarig matlagning (ris, sås, stek, fisk) med vätska (t.ex. vatten, vin, buljong, mjölk), för att göra pastan krämig.
	4 – 3	Förtjockning – göra pasta krämig	
Låg effekt	2 – 1	Varmhålla mat – göra risotto krämig	Perfekt för att varmhålla nylagad mat (t.ex. sås, soppa, minestrone), göra risotto krämig och hålla rätter varma.
Minsta effekt	1	Upptining	Perfekt för att tina en liten mängd livsmedel och smälta choklad eller smör.
Noll effekt	0	–	Spishällen är i stand-by eller avstängd (det kan finnas återstående värme, vilket anges med "H").

RENGÖRING OCH UNDERHÅLL

 **Koppla bort apparaten från elnätet.**

- Använd inte ångrengöringsutrustning
- Undvik att använda repande skursvampar eller stålull eftersom de kan förstöra glaset.
- Rengör hällen efter varje användning (när den har svalnat) för att ta bort matrester och fläckar.

- Socker och mat med högt sockernehåll kan skada spishällen och ska torkas bort omedelbart.
- Salt, socker och sand kan repa glasytan.
- Använd en mjuktrasa, hushållspapper eller särskilda rengöringsprodukter för denna typ av spishäll (följ tillverkarens anvisningar).
- Om vätska spills ut på kokzonen kan kastrullerna börja röra sig eller vibrera.
- Torka av spishällen noga efter rengöring

Om spishällen inte vill fungera korrekt, referera till Felsökningsguide för att fastställa problemet före du ringer till Kundtjänsten.

- Läs och följ instruktioner, som ges i sektionen "Daglig användning".
- Kontrollera att strömförsörjningen fungerar korrekt.
- Torka av spishällen noga efter rengöring.
- Om en kokzon har valts och "F" eller "ER" visas på displayen åtföljt av ett nummer ska du kontakta kundservice för att meddela dem om detta.
- Om felkoden är "F03", "ER03" eller "E02", försök lösa problemet genom att följa dessa instruktioner:
 - Om felkoden "E02" visas, kontrollera att du inte har tryckt på knapparna i mer än 5 sekunder, att inget föremål finns på HMI-området och att det är rent och torrt - vid rengöring ska du följa anvisningarna i avsnittet rengöring och underhåll.
 - Om felkoden "F03" visas, försök att stänga av spishällen och slå på den igen.
 - Om felkoden "F04" visas, kontakta kundservice och meddela dem vilken kod som visas.

- Om spishällen slutar fungera efter intensiv användning har den interna temperaturen blivit för hög. Vänta några minuter tills spishällen har kallnat.
- Om värmeelementet inte är påslaget hela tiden, utan slås på och stängs av även om effektnivån på displayen inte ändras, är detta en del av spishällens normala funktion. Värmeelementet slås på och stängs av för strömreglering vid normal funktion. I vissa fall kan överhettningsskyddet stänga av värmeelementet en viss tid för att undvika skador på glaset. Exempel på sådana fall: när en hög effektnivå används långvarigt, när kokkärl som är mindre än värmeelementet används, när kokkärls undersida inte är platt.
- Om spishällen avger ett kort ljud utan att kunden har tryckt på någon knapp ska du torka upp eventuell utspild vätska på HMI. Torka HMI och fortsätt använda spishällen. Om spishällen har stängts av automatiskt kan det ha orsakats av att det finns vätska på HMI. Torka HMI och slå på spishällen igen.

Om felet kvarstår efter dessa kontroller bör du kontakta närmaste Kundtjänst.

KUNDTJÄNST

Förenbättre kundservice, registrer din apparat på www.whirlpool.eu/register.

INNAN DU RINGER KUNDTJÄNST:

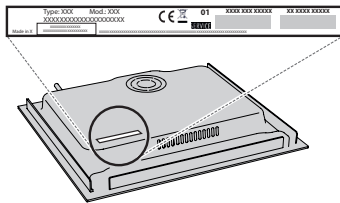
1. Försök att lösa problemet på egen hand med hjälp av anvisningarna i **FELSÖKNING**.
2. Stäng av apparaten och slå på den igen för att se om felet kvarstår.

OM PROBLEMET KVARSTÅR EFTER OVAN NÄMNDA KONTROLLER, KONTAKTA NÄRMASTE KUNDTJÄNST.

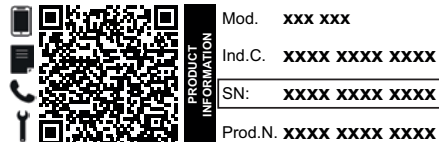
För teknisk service, ring numret som står i garantihäftet eller följ anvisningarna på webbplatsen www.whirlpool.eu.

När du kontaktar kundservice ska du alltid uppges:

- En kort beskrivning av felet.
- Typ av apparat och exakt modell;



- serienumret (numret efter ordet SN på märkskylten som finns under apparaten). Serienumret anges även i dokumentationen;



- din fullständiga adress
- ditt telefonnummer.

Vänd dig alltid till en auktoriserad serviceverkstad om det blir nödvändigt med reparation (som garanti för att originalreservdelar används och att reparationen utförs på korrekt sätt).

Du kan få åtkomst till policy, standarddokumentation och ytterligare produktinformation genom att:

- Använda QR-koden på din apparat;
- Besöka vår webbplats docs.whirlpool.eu;
- Eller kontakta vår kundservice (Se telefonnumret i garantihäftet). När du kontaktar vår kundservice, ange koderna som står på produktens typskylt.



Lataa täydellinen ohjekirja osoitteesta <http://docs.whirlpool.eu> tai soita takuutodistuksessa kuvattuun puhelinnumeroon.

Lue nämä turvallisuusohjeet ennen laitteen käyttöä. Säilytä ne lähettyvillä tulevaa tarvetta varten.

Näissä ohjeissa ja itse laitteessa on tärkeitä turvallisuutta koskevia varoituksia, joita on noudatettava aina. Valmistaja kieltäytyy kaikesta vastuusta, jos näitä turvallisuusohjeita ei noudateta tai jos laitetta käytetään sopimattomasti tai säätimet asetetaan virheellisesti.

⚠ **VAROITUS:** Jos lieden pinnassa on halkeamia, ei laitetta saa käyttää – sähköiskun vaara.

⚠ **VAROITUS:** Tulipalon vaara: älä säilytä esineitä keittopintojen päällä.

⚠ **HUOMIO:** Ruoan kypsennystä on valvottava. Lyhytaikaista kypsennystä on valvottava jatkuvasti.

⚠ **VAROITUS:** Rasvassa tai öljyssä kypsentyminen ilman valvontaa voi olla vaarallista – tulipalon vaara. **ÄLÄ KOSKAAN** yritä sammuttaa tulipaloa vedellä: sammuta sen sijaan laite ja peitä liekit sitten esimerkiksi kannella tai palopeitteellä.

⚠ Älä käytä liettä työ- tai laskutasona. Pidä vaatteet ja muut palonarajat materiaalit etäällä laitteesta, kunnes kaikki osat ovat kokonaan jäähtyneet – tulipalon vaara.

⚠ **Pikkulapset (0–3-vuotiaat)** on pidettävä loitolla laitteesta. Hieman isommat lapset (3–8-vuotiaat) on pidettävä loitolla laitteesta, ellei heitä valvota jatkuvasti. Laitetta voivat käyttää 8-vuotiaat ja sitä vanhemmat lapset sekä henkilöt, joiden fyysinen, henkinen tai aistitoimintojen suorituskyky on rajoittunut taikka joilla ei ole riittävää kokemusta ja tietoja vain, jos heitä valvotaan tai heille on annettu turvallista käyttöä koskevat ohjeet ja he ymmärtävät mahdolliset vaaratilanteet. Lapset eivät saa leikkiä laitteella. Lapset eivät saa suorittaa puhdistus- tai huoltotoimenpiteitä ilman valvontaa.

⚠ **VAROITUS:** Laite ja sen kosketettavissa olevat osat tulevat kuumiksi käytön aikana. Varo koskettamasta lämmitysvastuksia. Alle 8-vuotiaat lapset on pidettävä loitolla, ellei heitä valvota jatkuvasti.

SALLITTU KÄYTTÖ

⚠ **HUOMIO:** Laitetta ei ole tarkoitettu käytettäväksi ulkopuolisen kytkimen, kuten esimerkiksi ajastimen, tai erillisen kauko-ohjauksjärjestelmän kanssa.

⚠ Tämä laite on tarkoitettu kotitalouskäyttöön ja vastaaviin käyttötarkoituksiin, kuten: henkilöstön keittiötiloihin kaupoissa, toimistoissa ja muissa työympäristöissä; maataloille; asiakaskäyttöön hoteleissa, motelleissa, aamiaismajoituspaikoissa ja muissa asuinympäristöissä.

⚠ Mikä tahansa muu käyttö on kiellettyä (esimerkiksi huoneiden lämmittäminen).

⚠ Tätä laitetta ei ole tarkoitettu ammattikäyttöön. Älä käytä laitetta ulkona.

ASENNUS

⚠ Laitteen siirtämisessä ja asennuksessa tarvitaan vähintään kaksi henkilöä – loukkaantumisen vaara. Käytä suojakäsineitä purkamisen ja asennuksen aikana – leikkaantumiskaava.

⚠ Asennus, mukaan lukien vesikytkennät (jos niitä on), sähkökytkennät ja korjaukset on annettava pätevän asentajan tehtäväksi. Älä korjaa tai vaihda mitään laitteen osaa, ellei käyttöohjeessa nimenomaan näin kehoiteta. Pidä lapset loitolla asennuspaikasta. Purettuasi laitteen pakkauksestaan tarkista, ettei se ole vahingoittunut kuljetuksen aikana. Jos ilmenee ongelmia, ota yhteys jälleenmyyjään tai lähimpään huoltopisteeseen. Asennuksen jälkeen pakkauksijätteet (muovi, styroksiosat, jne.) on säilytettävä lasten ulottumattomissa – tukehtumisvaara. Laite on kytkettävä irti sähköverkosta ennen mitään asennustoimenpiteitä – sähköiskun vaara. Varmista asennuksen aikana, että laite ei vaurioita virtajohtoa – tulipalon tai sähköiskun vaara. Kytke laite päälle vasta, kun asennus on valmis.

⚠ Tee kaikki kalusteen leikkaustyöt ennen laitteen sijoittamista ja poista kaikki lastut ja sahanpuru.

⚠ Jos laitetta ei asenneta uunin yläpuolelle, on laitteen alla olevaan tilaan asennettava välipaneeli (ei kuulu toimitukseen).

SÄHKÖÄ KOSKEVAT VAROITUKSET

⚠ Laite on voitava kytkeä irti sähköverkosta irrottamalla pistoke pistorasiasta, jos pistorasia on saavutettavissa, tai pistorasian edelle asennetusta moninapaisesta kytkimestä, minkä lisäksi laite on maadoitettava kansallisten sähköistä turvallisuutta koskevien määräysten mukaisesti.

⚠ Älä käytä jatkojohtoja, jakorasioita tai adaptoreita. Kun asennus on tehty, sähköosat eivät saa olla käyttäjän ulottuvilla. Älä käytä laitetta kun olet märkä tai kun olet paljain jaloin. Älä käytä tätä laitetta, jos virtajohto tai pistoke on vahingoittunut, jos laite ei toimi kunnolla tai jos se on vaurioitunut tai pudonnut.

⚠ Asennusta virtajohdon pistokkeen kanssa ei sallita, ellei valmistaja ole varustanut tuotetta valmiiksi pistokkeella.

⚠ Jos virtajohto on vahingoittunut, on sen tilalle vaihdettava toinen samanlainen; vaaratilanteiden estämiseksi vaihdon saa suorittaa valmistaja, sen huoltohenkilö tai vastaava pätevä henkilö – sähköiskun vaara.

PUHDISTUS JA HUOLTO

⚠ **VAROITUS:** Varmista, että laite on sammutettu ja sen virtakytkentä on katkaistu ennen kuin ryhdyt mihinkään huoltotoimenpiteisiin; älä koskaan käytä puhdistamiseen höyrypesuria – sähköiskun vaara.

⚠ Älä käytä hankaavia tai syövyttäviä aineita, klooripitoisia valkaisuaineita tai hankaussieniä.

PAKKAUSMATERIAALIEN HÄVITTÄMINEN


Pakkaus on valmistettu 100-prosenttisesti kierrätettävästä materiaalista ja siinä on kierrätysmerkki ♻.

Pakkauksen osat on hävitettävä asianmukaisella tavalla ja paikallisten jätehuoltoviranomaisten määräysten mukaisesti.

KODINKONEIDEN KÄYTÖSTÄPOISTO JA HÄVITTÄMINEN

Tämä laite on valmistettu kierrätettävästä tai uusiokäyttöön kelpaavasta materiaalista. Hävitä laite paikallisten jätehuoltomääräysten mukaisesti. Lisätietoja sähkökäyttöisten kodinkoneiden käsittelystä, materiaalin keräämisestä ja kierrätyksestä saat paikallisilta viranomaisilta, jätehuollosta tai liikkeestä, josta laite on ostettu. Tämä laite on merkitty EU:n sähkö- ja elektroniikkaromua koskevan direktiivin 2012/19/EU (WEEE) sekä sähkö- ja elektroniikkaromusta vuonna 2013 annetun asetuksen mukaisesti (sellaisena kuin se on muutettu).

Varmistamalla, että tuote poistetaan käytöstä asianmukaisesti, voidaan auttaa estämään ympäristö- ja terveyshaittoja.

Symboli  tuotteessa tai sen asiakirjoissa tarkoittaa, ettei laitetta saa hävittää kotitalousjätteiden mukana. Sen sijaan tuote on toimitettava sähkö- ja elektroniikkakomponenttien keräys- ja kierrätyspisteeseen.

ENERGIAANSÄÄSTÖNEUVOJA

Hyödynnä lämmityslevyn jälkilämpöä sammuttamalla se muutama minuutti ennen kypsennyksen päättymistä.

Kattilan tai pannun pohjan tulisi peittää lämmityslevy kokonaan; lämmityslevyä pienemmän astian käyttäminen tuhlaa energiaa.

Peitä kattilat ja pannut tiiviisti sulkevilla kansilla kypsennyksen ajaksi ja käytä mahdollisimman vähän vettä. Ilman kantta tapahtuva kypsennys nostaa huomattavasti energian kulutusta.

Käytä vain tasapohjaisia kattiloita ja pannuja.

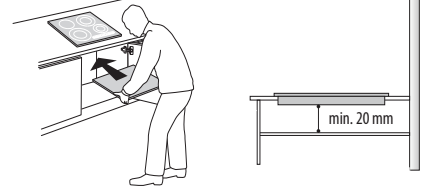
VAATIMUSTENMUKAISUUSVAKUUTUS

Tämä laite noudattaa EU:n asetuksen 66/2014 ekosuunnitteluvaatimuksia sekä energiaan liittyvien tuotteiden ja energiatietojen ekosuunnitteluvaatimuksia (muutettu) (EU Exit) koskevia asetuksia vuodelta 2019, eurooppalaisen EN 60350-2 standardin mukaisesti.



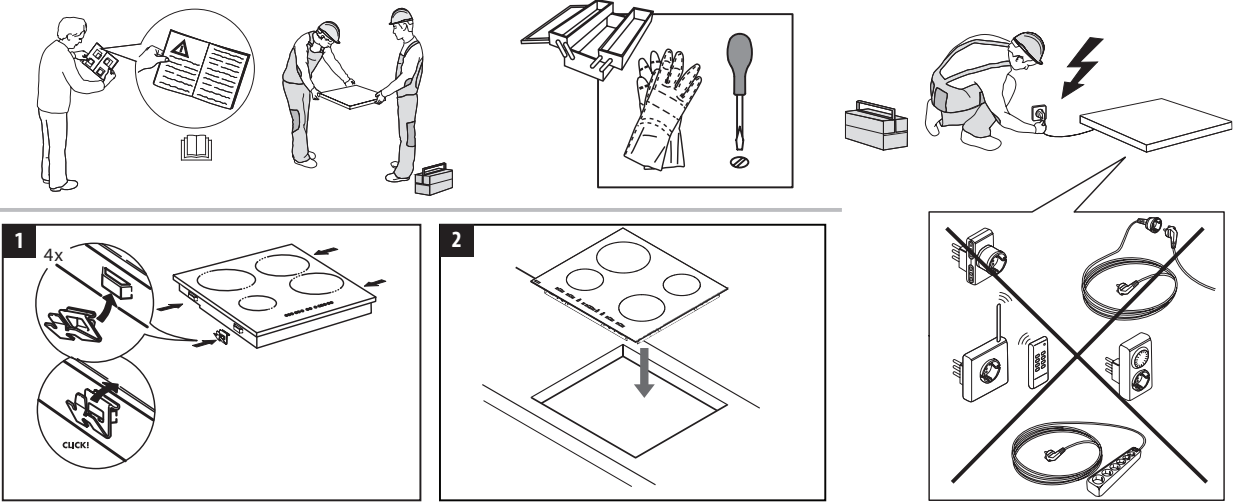
ASENNUS

- Keittotaso on asennettava työtasoon vähintään 20 mm:n syvyydelle.
- Keittotason ja uunin välillä ei saa olla mitään (ohjainkiskoja, kiinnikkeitä, jne.).
- Varmista, että virtajohto on tarpeeksi pitkä asennuksen helpottamiseksi.
- Keraamisen liesitason alapinnan ja kaapin tai välipaneelin välisen etäisyyden on oltava vähintään 20 mm.
- Jos keittotaso aiotaan asentaa tornimaisesti asennettujen kodinkoneiden läheisyyteen, on keittotason reunasta torniasennelman sivuun jätettävä vähintään 100 mm tilaa.
- Katso upotusmitat ja asennusohjeet tämän kappaleen kuvista.
- Minimietäisyys tulee säilyttää keittotason ja liesituulettimen välillä. Lisätietojen saamiseksi katso liesituulettimen käyttöohjetta.
- Kiinnitä mukana toimitettu tiiviste keittotasoon (jos se ei ole jo paikallaan) sen pinnan puhdistamisen jälkeen.
- **Älä asenna keittotaso astianpesukoneen tai pyykinpesukoneen läheisyyteen, jotta elektroniset piirit eivät joudu kosketuksiin höyryn tai kosteuden kanssa, mikä voisi vahingoittaa niitä.**
- Jos uuni asennetaan keittotason alapuolelle, varmista, että se on varustettu jäähdytysjärjestelmällä. Jos elektronisten piirien lämpötila ylittää suurimman sallitun lämpötilan, keittotaso sammuu automaattisesti; odota tässä tapauksessa muutaman minuutin ajan, kunnes elektronisten piirien sisäinen lämpötila laskee sallitulle tasolle; tällöin liesi voidaan käynnistää uudelleen.

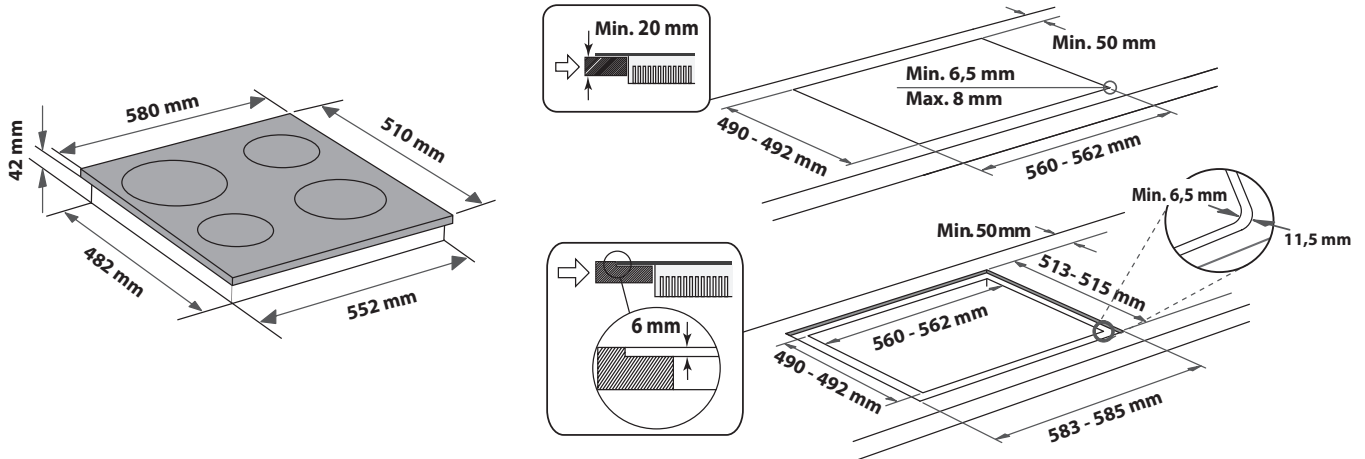
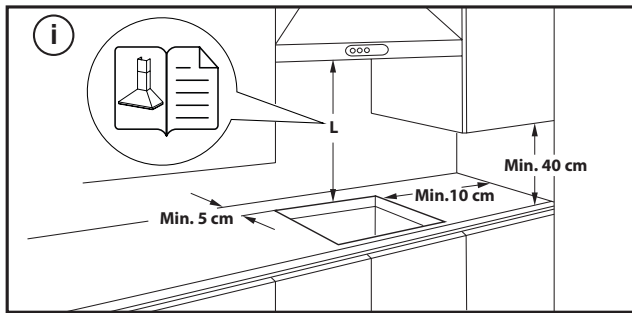


KEITTOTASON SIJOITTAMINEN

Sähköliitäntän (katso kappale "Sähköliitäntä") suorittamisen jälkeen, aseta kiinnityspidikkeet tarkoitusta varten oleviin keittotason sivulla oleviin aukkoihin kuvan osoittamalla tavalla. Työnnä sitten keittotaso leikkauksen sisään ja tarkista että lasi on litteä ja yhdensuuntainen työtason kanssa. Kiinnityspidikkeet sopivat kaikille työtasomateriaaleille (puu, marmori jne.).



NOUDATETTAVAT MITAT JA ETÄISYYDET



LIESITASON IRROTTAMINEN:

Ennen liesitason irrottamiseen ryhtymistä se on irrotettava sähköverkosta. Alaosa on ehdottomasti irrotettava uunista, laatikosta, eristyksestä tai muusta vastaavasta. Näin asentaja pääsee käsiksi liesitason alaosaan neljän kiinnikkeen irrottamiseksi ruuvitaltalla, minkä jälkeen liesitaso nostetaan ja irrotetaan paikaltaan, ilman että työtasoon tulee vaurioita.

SÄHKÖLIITÄNTÄ

Sähköliitäntä on tehtävä valmiiksi, ennen kuin laite kytketään sähköverkkoon.

Virtajohto ei kuulu pakkaukseen – muista hankkia tilanteeseen sopiva virtajohto.




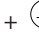
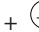
Asennuksen saa suorittaa vain pätevä henkilöstö, joka on perehtynyt voimassa oleviin turvallisuus- ja asennussäädöksiin. Erityisen tärkeää on, että asennus suoritetaan paikallisen sähköyhtiön määräysten mukaisesti.

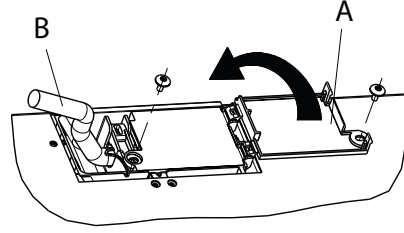
Varmista, että laitteen pohjassa olevaan arvokilpeen merkitty jännite vastaa asunnon sähköverkon jännitettä.

Laitteen maadoitus on lakisääteinen: käytä ainoastaan oikean kokoisia johtimia (mukaan lukien maadoitusjohto).

LIITÄNTÄ JAKORASIAAN

Käytä sähköliitännässä kaapelityyppiä H05RR-F tai H05V2V2-F alla olevan taulukon mukaisesti.

SYÖTTÖJÄNNITE	JOHTIMET LUKUMÄÄRÄ x KOKO
220-240V ~+ 	3 x 4 mm ²
230-240V ~+ 	3 x 4 mm ² (vain Australia)
220-240V 3~+ 	4 x 1,5 mm ²
380-415V 3N~+ 	5 x 1,5 mm ²
380-425V 2N~+ 	4 x 1,5 mm ²



Laite on liitettävä sähköverkkoon moninapaisen suojajytkimen kautta, jonka kontaktien väli on vähintään 3 mm.

HUOMIO: virtajohdon on oltava tarpeeksi pitkä, jotta keittotasoa voidaan irrottaa työtasosta; lisäksi se on asetettava siten, että se ei pääse vahingoittumaan tai ylikuumentumaan joutuessaan kosketuksiin alustan kanssa.

HUOMAA: kelta-vihreä maakaapeli kytketään merkinnällä  varustettuun liittimeen, ja sen on oltava pitempi kuin muut johdot.

- Irota noin 70 mm virtajohdon (B) kaapelivaipasta.
- Kuori johdinten vaippaa noin 10 mm. Aseta sen jälkeen virtajohto vedonpoistimeen ja kytke johdot jakorasiaan sen lähellä olevan liitäntäkaavion mukaan.
- Varmista virtajohto (B) vedonpoistimella.
- Sulje jakorasia kannella (A) kiinnittäen sen mukana toimitetulla ruuvilla.
- Aseta liesi sähköliitännän suorittamisen jälkeen paikalleen ylhäältä ja kiinnitä se kiinnitysrousuihin kuvan mukaisesti.



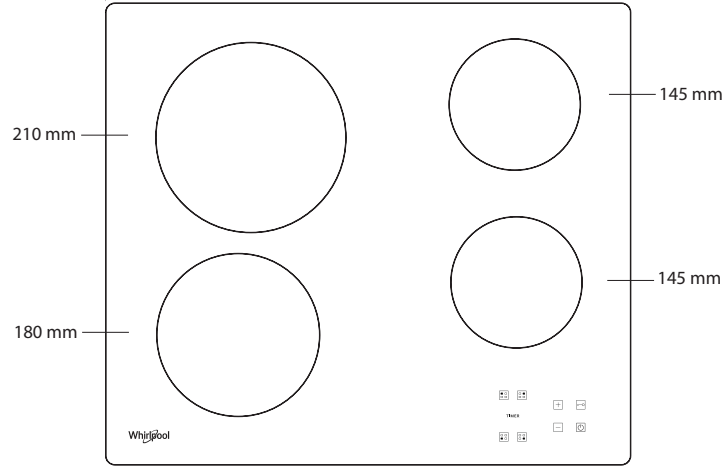
KIITOS SIITÄ, ETTÄ OSTIT WHIRLPOOL-TUOTTEEN
Täyden tuen saamiseksi on tuote rekisteröitävä osoitteessak na www.whirlpool.eu/register.

SKANNAA TUOTTEESSASI OLEVA QR-KOODI LISÄTIETOJA VARTEN

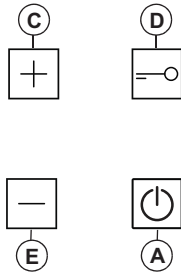
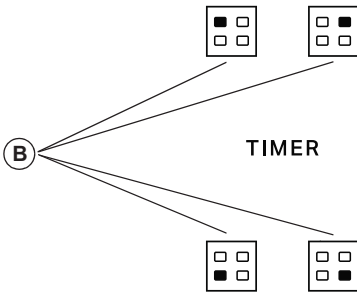


Lue turvallisuusohjeet huolellisesti ennen laitteen käyttöä.

TUOTTEEN KUVAUS



OHJAUSPANEELI



- A** Päälle/Pois
- B** Keittovyöhykkeen ja ajastimen valinta
- C-E** Lämpötilan lisäys/pienennys
- D** Näppäinlukitus

ENSIMMÄINEN KÄYTTÖKERTA

Kun laite asennetaan ensimmäisen kerran, käyttöpaneeli suorittaa noin sekunnin mittaisen toimintojen testauksen, jonka jälkeen se kytkee näppäinlukitustoiminnon automaattisesti päälle.

Voit poistaa toiminnon käytöstä painamalla "D"-painiketta, kunnes laite antaa äänimerkin ja toiminnon led-merkkivalo sammuu.

HUOMAUTUS: Jos laitteen asetukset nollataan, toista edellä kuvattu toimenpide.

PÄIVITTÄINEN KÄYTTÖ



LIESITASON KYTKEMINEN PÄÄLLE/POIS

Käynnistä liesitaso painamalla painiketta "A" 2 sekunnin ajan. Kaikkien neljän keittovyöhykkeen kohdalla näkyy "0". Jos mitään keittovyöhykettä ei oteta käyttöön 20 sekunnin kuluessa, liesitaso kytkeytyy turvallisuussyistä automaattisesti pois päältä.

PÄÄLLE KYTKEMINEN JA KEITTOALUEIDEN SÄÄTÄMINEN

Paina haluamasi keittovyöhykkeen "B"-painiketta. Valitse haluamasi lämpötila-asetus painikkeiden "E" ja "C" avulla. Muiden valittavissa olevien keittoasetusten arvot vaihtelevat välillä 1–9. Voit perua kaikki asetukset painamalla painikkeita "+/-" yhtä aikaa.

TÄRKEÄÄ: ohjaustoiminto kytkeytyy pois päältä 10 sekunnin kuluttua lämpötilan valitsemisesta.

Jos haluat muuttaa lämpötila-asetusta, paina ensin valintapainiketta "B" uudelleen, ja muuta sitten asetusta painikkeilla "E" ja "C".

TIMER

Jos haluat käyttää ajastintoimintoa, valitse ensin haluamasi keittovyöhyke ja teho, ja paina sen jälkeen keittovyöhykkeen painiketta uudelleen. Ajastimella ohjatun keittovyöhykkeen kohdalle ilmestyy pieni piste. Kahdessa näytössä vilkkuu merkintä "00". Valitse aika väliltä 1–99 painikkeilla "E" ja "C".

TÄRKEÄÄ: ajastin näyttää 10 sekunnin kuluttua myös muiden keittovyöhykkeiden tehoasetukset.

Jos haluat tarkistaa jäljellä olevan keittoajan, paina ajastinohjatun keittovyöhykkeen painiketta kaksi kertaa.

A-TOIMINTO

Tästä toiminnosta on mahdollista laskea automaattisesti keittoalueen tehotasoa korkeimmasta arvosta (taso 9) arvoon, jonka käyttäjä valitsee kypsennyksen loppuvaihetta varten.

Tämä toiminto aktivoidaan painamalla ensin "+" painiketta tason 9 saavuttamiseksi. Näytöllä näkyy "A" ja "9", jotka vilkkuvat vuorotellen himmeinä.

Nyt voit valita halutun tehotason (vähemmän kuin 9) "-" painikkeella. "A" ja valittu taso vilkkuvat vuorotellen näytöllä himmeinä.

Toiminto on aktivoitu kun "A" ja valittu taso vilkkuvat vuorotellen näytöllä kirkkaina. Kun "A" ei enää näy näytöllä (toiminto "A" sammuu automaattisesti muutaman minuutin kuluttua, asetetusta tehostasosta riippuen), kypsennysprosessi jatkuu matalammalla tasolla ja näytöllä näkyy ainoastaan valittu tehostaso.

HUOM.: tämä toiminto ei ole mahdollinen tasolla 9.



NÄPPÄINLUKITUS

Näppäinlukituksen-toiminto kytetään käyttöön painamalla painiketta "D", kunnes toiminnon painikkeen yläpuolella oleva piste syttyy. Ohjauspaneeli on lukittu virrankatkaisu-toimintoa lukuun ottamatta. Toiminto pysyy käytössä vaikka liesitaso sammutetaan ja käynnistetään uudelleen. Toiminnon voi kytkeä pois käytöstä painamalla painiketta "D" uudelleen, kunnes toimintopainikkeen yllä oleva piste sammuu.

Kun liesi on sammutettuna ja näppäin lukitus päällä, liedon käynnistämiseksi on ensiksi avattava näppäin lukitus painamalla painiketta "D" uudelleen kunnes toimintopainikkeen yläpuolella oleva piste sammuu.

Vesi, kattiloista roiskunut neste tai joku esine säätönuppin kohdalla saattaa vahingossa aktivoida tai ottaa pois käytöstä näppäinlukituksen.



JÄLKILÄMMÖN MERKKIVALO

Kun keittovyöhyke sammutetaan, jälkilämmön merkkivalo "H" jää palamaan tai vilkkumaan vuorotellen merkkivalon "O" kanssa, kunnes keittovyöhykkeen lämpötila laskee turvalliselle tasolle.

TÄRKEÄÄ: Liesitason automaattinen virrankatkaisu kuuluu liesitason turvallisuustoimintoihin. Keittovyöhyke sammutetaan automaattisesti, jos samaa tehoasetusta käytetään pitkään (keittovyöhyke kytkeytyy pois päältä, jos sitä pidetään maksimitaholla noin tunnin ajan).

TÄRKEÄÄ: Keittotason pysyvän vaurioitumisen välttämiseksi:

- älä käytä kattiloita, joiden pohja ei ole litteä;
- älä käytä metallikattiloita, joissa emalipohja;
- älä aseta kuumia kattiloita/paistinpannuja käyttöpaneelin päälle.

Keittotaso on varustettu myös "automaattinen sammutus" toiminnolla, joka sammuttaa keittoalueen jos tehostaso ei muuteta tietyn ajan kuluessa, riippuen tehoasetuksesta. Taulukossa annetaan jokaisen tehostason kesto.

TEHOTASO	AUTOMAATTINEN SAMMUTUSAIKA
0	30 sekuntia
1	10 tuntia
2	5 tuntia
3	5 tuntia
4	4 tuntia
5	3 tuntia
6	2 tuntia
7	2 tuntia
8	2 tuntia
9	1 tunti

PAISTOTAULUKKO

TEHOTASO		KYPSENNYSTAPA	TASON KÄYTTÖ (kokemus ja ruoanlaittotottumus vaikuttavat käyttöön)
Maksimiteho	9	Keittäminen	Ihanteellinen ruoan lämpötilan nopeaan nostamiseen, veden kiehumispisteeseen saattamiseen tai nesteiden nopeaan kuumentamiseen.
	9 – 8	Ruskistaminen	Ihanteellinen ruskistamiseen, kypsennyksen aloittamiseen, pakasteiden paistamiseen, nopeaan keittämiseen.
Korkea teho	8 – 7	Ruskistus – kiehumisen ylläpitäminen – grillaus	Ihanteellinen ruskistamiseen, hyvällä tulella pysytellen, keittämiseen ja grillaamiseen (lyhyt kesto, 5–10 minuuttia).
	7 – 6	Rasvassa paistaminen – keittäminen – grillaus	Ihanteellinen hitaaseen kiehumiseen, keittämiseen ja grillaukseen (keskimääräinen kestoaika 10–20 minuuttia), esikuumentamiseen ja rasvassa paistamiseen.
Keskitason teho	6 – 5	Hellävarainen rasvassa paistaminen	Ihanteellinen rasvassa paistetuille munille ja munakkaille.
	5 – 4	Keittäminen – hiljainen kieutus – haudutus,	Ihanteellinen pitkään kypsennykseen (riisi, kastikkeet, paistit, kala) nesteissä (esim. vesi, viini, liemi, maito), kastikkeen sekoittamiseen pastaan.
	4 – 3	Suurustamiseen – kastikkeen sekoittamiseen pastaan	
Matala teho	2 – 1	Ruoan pitäminen kuumana – risottojen valmistus	Ihanteellinen juuri valmistettujen ruokien pitämiseen lämpiminä (esim. kastikkeet, keitot, minestrone-keitto), risottojen valmistamiseen sekä tarjoiltavien ruokalajien pitämiseen lämpiminä.
Minimiteho	1	Sulatus	Ihanteellinen pienten tuotteiden sulattamiseen sekä suklaan tai voin hellävaraiseen sulattamiseen.
Nollateho	0	–	Keittotaso valmiustilassa tai kytketty pois toiminnasta (mahdollinen jälkilämpö, jonka merkinä on H-kirjain).

LAITTEEN PUHDISTUS JA HUOLTO

⚠ Kytke laite irti sähköverkosta.

- Älä käytä höyrypesuria.
- Älä käytä hankaavia sieniä, teräsvillaa tai vastaavia, sillä ne saattavat vahingoittaa lasia.
- Puhdista liesitaso aina käytön jälkeen (sen jäähdyttyä) ja poista siltä kaikki tahrat ja ruokajäämät.

- Sokeri ja runsaasti sokeria sisältävät ruoat saattavat vahingoittaa liesitasoa ja ne on poistettava heti.
- Suola, sokeri ja hiekka voivat naarmuttaa lasipintaa.
- Käytä pehmeää liinaa, imukykyistä keittiöpaperia tai erityistä liedon pesutuotetta (noudata valmistajan ohjeita).
- Nesteroiskeet keittoalueilla saattavat siirtää keittoastioita tai aiheuttaa niiden tärinää.
- Kuivaa liesitaso kauttaaltaan puhdistuksen lopuksi.

VIANETSINTÄ

Jos liesi ei toimi oikein, katso Vianmäärittämissopista mahdollinen vian aiheuttaja ennen kuin otat yhteyttä huoltopalveluun.

- Lue kohdassa "Päivittäinen käyttö" annetut ohjeet ja noudata niitä.
- Tarkista, että kyseessä ei ole sähkökatko.
- Kuivaa liesi kauttaaltaan puhdistuksen lopuksi.
- Jos on valittu keittoalue, ja näytölle tulee "F" tai "ER", jonka perässä on jokin numero, ilmoita asiasta asiakaspalveluun.
- Jos virhekoodi on "F03", "ER03" tai "E02", voit yrittää ratkaista ongelman seuraavien ohjeiden mukaisesti:
 - Jos näkyviin tulee virhe "E02", varmista, että et ole painanut painikkeita yli 5 sekunnin ajan, HMI-alueella ei ole mitään esineitä ja että se on puhdas ja kuiva – noudata puhdistuksen aikana huollosta ja puhdistamisesta kertovan kappaleen ohjeita.
 - Jos virhe on "F03", yritä sammuttaa keittotaso ja käynnistä se sitten uudelleen.
 - Jos virhe on "F04", ota yhteyttä asiakaspalveluun ja ilmoita, mikä virhekoodi on tullut näkyviin.

- Jos liesi ei pitkään kestäneen käytön jälkeen toimi, sen sisäinen lämpötila on liian korkea. Anna lieden jäähtyä muutaman minuutin ajan.
- Jos lämmitin ei ole koko ajan päällä, vaan se menee päälle ja sammuu jaksottain, vaikka näytössä tehotaso ei muutu, ei ole syytä huolestua, sillä tämä kuuluu lieden normaaliin toimintaan. On/off-sykli mahdollistaa lämmittimen tehon säädön ja on täysin normaalia. Joissakin tapauksissa lämpösuojus saattaa kytkeä lämmittimen pois päältä joksikin aikaa lasin vaurioitumisen estämiseksi. Esimerkkejä tällaisista tilanteista ovat: keittäminen pitkän aikaa korkealla tehotasolla, lämmityselementtiä pienempien kattiloiden käyttäminen sekä pohjaltaan epätsaisten kattiloiden käyttäminen.
- Jos liedestä kuuluu lyhyt äänimerkki, vaikka mitään sen painikkeista ei ole painettu, varmista, että HMI:lle ei ole roiskahtanut nesteitä. Kuivaa HMI ja jatka lieden käyttöä. Jos liesi on sammunut automaattisesti, se saattaa johtua HMI:n päällä olevista nesteistä. Kuivaa HMI ja käynnistä liesi uudelleen.

Jos vika ei ole korjautunut yllä mainittujen tarkistusten jälkeen, ota yhteyttä lähimpään huoltopalveluun.

HUOLTOPALVELU

Täyden tuensaamiseksi on tuoterekisteröitävä osoitteessa www.whirlpool.eu/register.

ENNEN KUIN OTAT YHTEYTTÄ HUOLTOPALVELUUN:

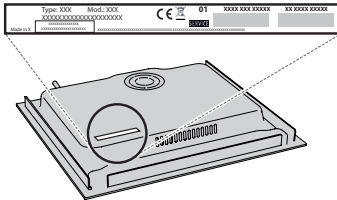
1. Kokeile, voitko korjata vian itse, kohdassa **VIANMÄÄRITYS** annettujen ohjeiden avulla.
2. Kytke laite pois toiminnasta ja uudelleen toimintaan nähdäksesi, onko häiriö poistunut.

JOS VIKA EI OLE KORJAUTUNUT YLLÄ MAINITTUJEN TARKASTUSTEN JÄLKEEN, OTA YHTEYTTÄ LÄHIMPÄÄN HUOLTOPALVELUUN.

Avun saamiseksi voit soittaa takuukortissa olevaan puhelinnumeroon tai voit seurata ohjeita, jotka on annettu sivustolla www.whirlpool.eu.

Kun otat yhteyttä asiakaspalveluun, ilmoita aina:

- lyhyt kuvaus viasta;
- laitteen tyyppi ja malli;



- sarjanumero (laitteen alla olevassa arvokilvessä sanan SN jälkeen oleva numero). Sarjanumero on ilmoitettu myös asiakirjoissa;



Mod. xxx xxx

Ind.C. xxxx xxxx xxxx

SN: xxxx xxxx xxxx

Prod.N. xxxx xxxx xxxx

- täydellinen osoitteesi;
- puhelinnumerosi.

Jos tuotetta täytyy korjata, ota yhteyttä valtuutettuun huoltopalveluun (näin voit olla varma, että käytetyt varaosat ovat alkuperäisiä ja että korjaukset suoritetaan oikein).

Normatiiviset asiakirjat, vakiodokumentaatio sekä tuotetta koskevat lisätiedot ovat saatavissa osoitteesta:

- Laitteesi QR-koodin käyttäminen;
- Käymällä sivustollamme docs.whirlpool.eu;
- Voit vaihtoehtoisesti ottaa yhteyttä **asiakaspalveluun** (katso numero takuukirjasesta). Kun otat yhteyttä asiakaspalveluun, ilmoita tuotteen arvokilven koodit.



ІНСТРУКЦІЇ З ТЕХНІКИ БЕЗПЕКИ

ВАЖЛИВА ІНФОРМАЦІЯ, ЯКУ СЛІД ПРОЧИТАТИ ТА ЯКОЇ СЛІД ДОТРИМУВАТИСЯ

Завантажте повну інструкцію з експлуатації з сайту <http://docs.whirlpool.eu> або зателефонуйте за номером телефону, вказаним у гарантійному буклеті.

Перед використанням приладу прочитайте ці інструкції з техніки безпеки. Збережіть їх для використання у майбутньому.

У цих інструкціях та на самому приладі містяться важливі попередження про небезпеку, які слід завжди виконувати. Виробник не несе жодної відповідальності за недотримання цих інструкцій з техніки безпеки, за неналежне використання приладу або неправильне налаштування елементів управління.

⚠ ПОПЕРЕДЖЕННЯ: Якщо варильна поверхня тріснула, не користуйтеся приладом - існує ризик ураження електричним струмом.

⚠ ПОПЕРЕДЖЕННЯ: Щоб уникнути пожежі, не зберігайте жодних предметів на поверхнях для приготування.

⚠ ОБЕРЕЖНО: слід наглядати за процесом готування. За короткочасним процесом готування слід наглядати постійно.

⚠ ПОПЕРЕДЖЕННЯ: Необережне приготування їжі із змістом жиру або олії на варильній панелі може бути небезпечним - це може призвести до виникнення пожежі. НІКОЛИ не намагайтеся загасити вогонь водою: Натомість, вимкніть прилад та накрийте полум'я, наприклад, кришкою або протипожежним покривалом.

⚠ Не використовуйте варильну панель як робочу поверхню або як підставку. Не кладіть одяг або інші легкозаймисті матеріали поблизу приладу, доки повністю не охолонуть всі його компоненти - існує ризик виникнення пожежі.

⚠ Не дозволяйте маленьким дітям (від 0 до 3 років) підходити до приладу. Не дозволяйте маленьким дітям (від 3 до 8 років) підходити надто близько до приладу без постійного нагляду. До користування приладом допускаються діти віком від 8 років, особи з фізичними, сенсорними чи розумовими вадами, а також особи, які не мають досвіду чи знань щодо використання цього приладу, тільки за умови, що такі особи отримали інструкції щодо безпечного використання приладу, розуміють можливий ризик або використовують прилад під наглядом. Не дозволяйте дітям гратися з приладом. Не дозволяйте дітям чистити та обслуговувати прилад без нагляду.

⚠ ПОПЕРЕДЖЕННЯ: Під час використання прилад і його доступні частини нагріваються. Слід бути обережними, щоб не торкнутися нагрівальних елементів. Дітей до 8 років не можна залишати поруч із приладом без постійного нагляду.

ДОЗВОЛЕНЕ ВИКОРИСТАННЯ

⚠ ОБЕРЕЖНО: Цей прилад не призначено для управління зовнішнім пристроєм для перемикачів, наприклад, таймером або окремою системою дистанційного керування.

⚠ Цей прилад призначено для використання в побутових і подібних умовах, наприклад таких: у кухонних зонах магазинів, офісів та інших робочих середовищ; у фермерських господарствах; клієнтами в готелях, мотелях, хостелах і інших житлових приміщеннях.

⚠ Забороняється використовувати прилад для інших цілей (наприклад, для опалення приміщень).

⚠ Цей пристрій не призначений для професійного використання. Не використовуйте прилад поза приміщенням.

УСТАНОВЛЕННЯ

⚠ Установлення і обслуговування приладу мають виконувати принаймні дві особи - існує ризик травмування. Під час розпакування та встановлення приладу використовуйте захисні рукавиці - існує ризик порізів.

⚠ Установлення, включаючи підключення водопостачання (за наявності), виконання електричних з'єднань, і ремонт має виконувати кваліфікований персонал. Не ремонтуйте та не замінюйте жодну частину приладу, якщо в інструкції з експлуатації прямо не вказано, що це необхідно зробити. Не дозволяйте дітям наближатись до місця установлення. Розпакувавши прилад, перевірте, чи немає на ньому пошкоджень після транспортування. У випадку виникнення проблем зверніться до продавця або найближчого центру післяпродажного обслуговування. Після установлення, залишки упаковки (пластик, пінополістиролові елементи і т.п.) повинні зберігатися в недоступному для дітей місці - існує небезпека удушення. Перед проведенням будь-яких робіт з установлення прилад слід відключити від електромережі - існує ризик ураження електричним струмом. Під час установлення приладу переконайтеся, що він не перетискає кабель живлення - існує ризик виникнення пожежі або ураження електрострумом. Вмикайте прилад лише після завершення процедури його встановлення.

⚠ Перед вбудовуванням приладу слід виконати всі столярні роботи, прибрати дерев'яну стружку та тирсу.

⚠ Якщо прилад не встановлений над піччю, то необхідно встановити розділювальну панель (не входить в комплект) у відділенні під приладом.

ПОПЕРЕДЖЕННЯ ПРО НЕБЕЗПЕКУ УРАЖЕННЯ ЕЛЕКТРИЧНИМ СТРУМОМ

⚠ Слід забезпечити можливість від'єднання приладу від джерела живлення за рахунок витягання вилки, якщо вона є доступною, або за допомогою багатополюсного перемикача, який встановлено перед розеткою згідно з нормами прокладення електропроводки, крім того, прилад має бути заземлений відповідно до національних стандартів електричної безпеки.

⚠ Не використовуйте подовжувачі, розгалужувачі або адаптери. Після підключення електричні компоненти мають бути недосяжні користувачеві. Перед

використанням пристрою, якщо ви мокрі або босоніж. Забороняється користуватися цим приладом у разі пошкодження проводаживленняабовилки, неналежної роботи або пошкодження чи падіння.

⚠ Установлення виробу зі штепсельною вилкою на кінці кабелю живлення допускається, тільки якщо виріб уже оснащено вилкою від виробника.


⚠ Якщо кабель електроживлення пошкоджений, слід звернутися до виробника, його сервісного агента або особи з подібною кваліфікацією для заміни пошкодженого кабелю на ідентичний кабель, щоб уникнути можливої небезпеки - існує ризик ураження електричним струмом.

ЧИЩЕННЯ ТА ОБСЛУГОВУВАННЯ

⚠ **ПОПЕРЕДЖЕННЯ:** Перед виконанням технічного обслуговування приладу переконайтеся в тому, що він вимкнений і відключений від джерела живлення; ніколи не застосовуйте пристрої чищення парою - існує ризик ураження електричним струмом.

⚠ Не використовуйте абразивні чи їдкі матеріали, очисники на основі хлору або металеві щітки.

УТИЛІЗАЦІЯ ПАКУВАЛЬНИХ МАТЕРІАЛІВ


Пакувальний матеріал на 100% підлягає вторинній переробці та позначений символом .

Тому різні частини упаковки слід утилізувати відповідально та відповідно до місцевих правил щодо утилізації відходів.

УТИЛІЗАЦІЯ ПОБУТОВИХ ПРИЛАДІВ

Цей прилад виготовлено з матеріалів, які підлягають вторинній переробці або придатні для повторного використання. Утилізуйте його відповідно до місцевих правил утилізації відходів. Для отримання додаткової інформації про поводження з побутовими електричними приладами, їх утилізацію та вторинну переробку зверніться до місцевих органів, служби утилізації побутових відходів або в магазин, де ви придбали прилад. Цей прилад марковано відповідно до Європейської директиви 2012/19/ЄС, Директиви щодо відпрацьованого електричного й електронного обладнання (WEEE) та до Регламенту 2013 року про відходи електричного та електронного обладнання (зі змінами).

Забезпечивши правильну утилізацію цього приладу, ви допоможете запобігти негативним наслідкам для довкілля та здоров'я людей.

Символ  на продукті або в супровідній документації вказує на те, що прилад не можна утилізувати як побутові відходи, і що його потрібно здати на утилізацію до відповідного центру збору та вторинної переробки електричного й електронного обладнання.

ПОРАДИ ЩОДО ЕНЕРГОЗБЕРЕЖЕННЯ

Скористайтеся залишковим теплом вашої плити, вимкнувши прилад за кілька хвилин до кінця приготування їжі.

Основа вашої каструлі або пательні має закривати плиту повністю; посуд, менший за плиту, сприятиме витраті енергії.

Накривайте каструлі та пательні щільними кришками під час готування та використовуйте якомога менше води. Приготування страв без кришки значно збільшить споживання енергії.

Використовуйте тільки каструлі та сковороди з плоским дном.

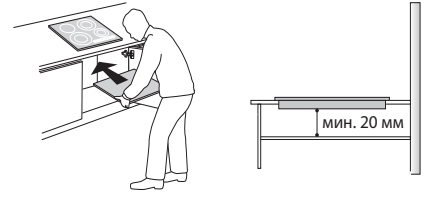
ДЕКЛАРАЦІЯ ПРО ВІДПОВІДНІСТЬ

Цей прилад відповідає вимогам щодо екодизайну Регламенту ЄС 66/2014, вимогам щодо екодизайну для виробів, що споживають енергію, та Положенням про енергетичну інформацію (Поправка) (Вихід з ЄС) 2019 року, відповідно до європейського стандарту EN 60350-2.



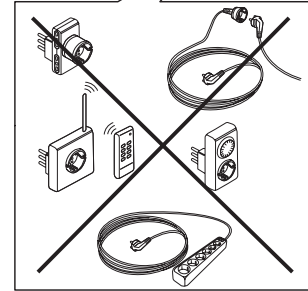
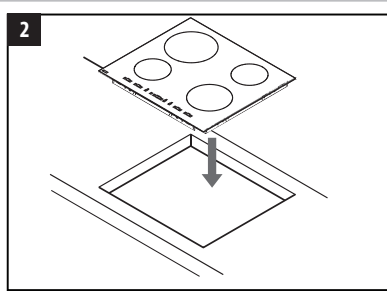
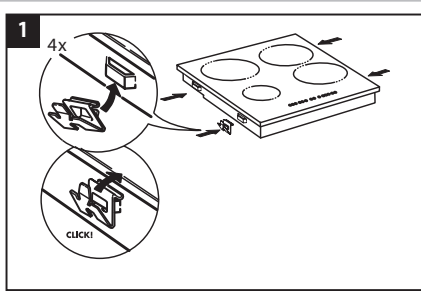
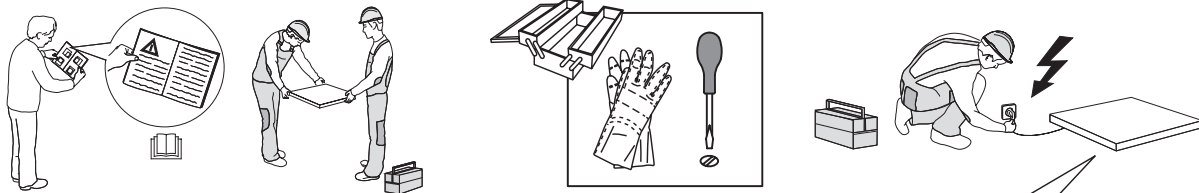
УСТАНОВЛЕННЯ

- Варильна панель має бути втоплена в робочу поверхню на глибину щонайменше 20 мм.
- Між варильною поверхнею та піччю не має бути нічого іншого (поперечних рейок, скоб і т.д.).
- Шнур живлення повинен мати достатню довжину для зручного встановлення виробу.
- Відстань між нижньою поверхнею склокерамічної поверхні та шафою або роздільною панеллю має бути щонайменше 20 мм.
- Інструкції щодо розмірів вбудовування та встановлення див. на малюнку в цьому параграфі.
- Між варильною панеллю та кухонною витяжкою потрібно залишати принаймні мінімальну відстань. Для отримання докладніших відомостей див. інструкції з використання, які постачаються в комплекті з кухонною витяжкою.
- Скористайтеся прокладкою, що поставляється в комплекті, для варильної поверхні (якщо вона ще не була встановлена), після очищення її поверхні.
- **Не встановлюйте варильну поверхню біля посудомийної чи пральної машини, щоб електронні компоненти не контактували з паром чи вологою, які можуть їх пошкодити.**
- Якщо піч встановлена під варильною поверхнею, переконайтеся, що вона оснащена охолоджувальною системою. Якщо температура електросхеми перевищує максимально допустиму температуру, варильна поверхня вимкнеться автоматично. В цьому випадку почекайте кілька хвилин, поки внутрішня температура електронної схеми не досягне допустимого рівня, коли варильну панель можна буде увімкнути знову.

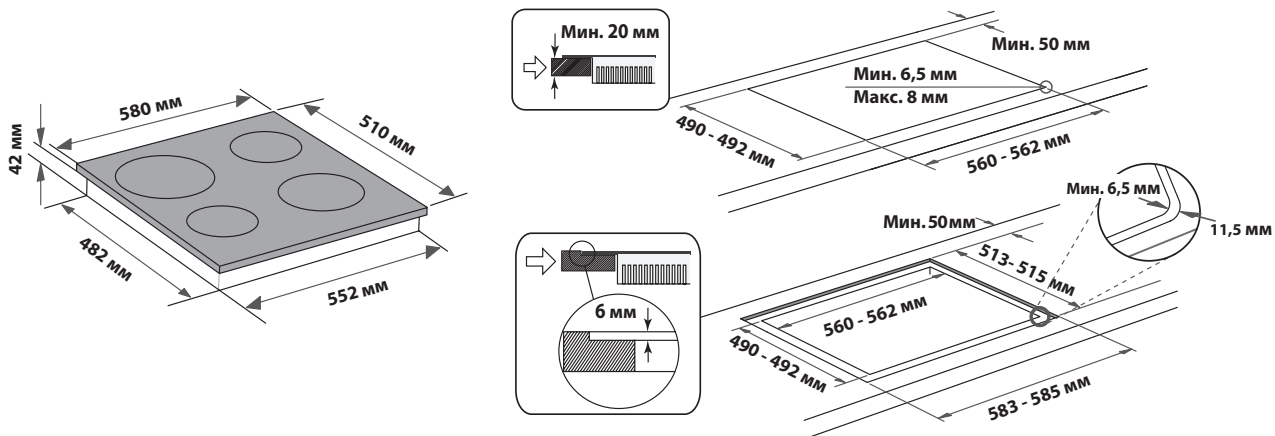
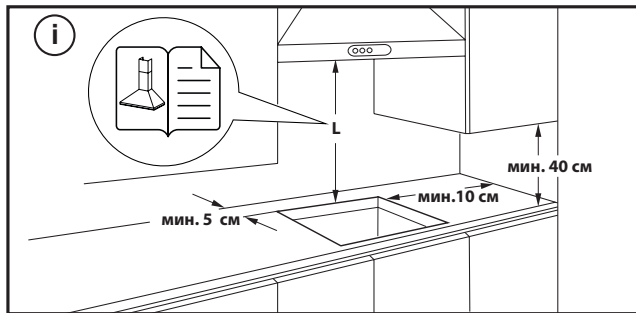


УСТАНОВЛЕННЯ ВАРИЛЬНОЇ ПАНЕЛІ

Підключивши прилад до електромережі (див. розділ "Підключення до електромережі"), закріпіть зажими у відповідних роз'ємах на бічних сторонах варильної панелі, як зображено на малюнку. Потім засуньте прилад у спеціально вирізану нішу та переконайтеся, що скляну поверхню розміщено паралельно робочій поверхні. Зажими призначені для всіх типів матеріалу, з якого виготовлено робочу поверхню (дерево, мармур тощо).



РОЗМІРИ ТА ВІДСТАНІ, ЯКИХ СЛІД ДОТРИМУВАТИСЯ



ДЕМОНТАЖ ВАРИЛЬНОЇ ПАНЕЛІ

Щоб зняти варильну панель, спочатку від'єднайте її від електромережі. Наполегливо рекомендовано звільнити нижню частину меблів, діставши з неї духову шафу, шухляди, розділювальну планку тощо. Завдяки цьому технічний фахівець отримає доступ до нижньої частини варильної панелі, щоб відкрутити чотири затискачі з допомогою викрутки, підняти варильну панель і дістати її, не пошкодивши робочу поверхню.

ПІДКЛЮЧЕННЯ ДО ЕЛЕКТРОМЕРЕЖ

Електричні підключення мають виконуватися до підключення приладу до електромережі.

Шнур живлення не входить до комплекту, обов'язково підготуйте власний шнур.

Установлення приладу має здійснювати кваліфікований спеціаліст, який ознайомлений із поточними нормами безпеки та монтажу. Зокрема, установка має проводитися згідно з нормами місцевої компанії електропостачання.

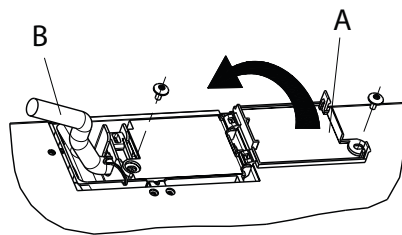
Переконайтеся, що напруга, вказана на таблиці основних параметрів, розташованої на дні приладу, відповідає напрузі будівлі.

Відповідно до нормативних вимог прилад має бути заземлений: використовуйте провідники (включно з провідником заземлення) лише відповідного розміру.

ПІДКЛЮЧЕННЯ ДО КЛЕМНИКА

Для підключення до електромережі скористайтеся кабелем H05RR-F або H05V2V2-F, указаним у таблиці нижче.

НАПРУГА ДЖЕРЕЛА ЖИВЛЕННЯ	ПРОВІДИ КІЛЬКІСТЬ x РОЗМІР
220-240V ~+ 	3 x 4 mm ²
230-240V ~+ 	3 x 4 mm ² (лише Австралія)
220-240V 3~+ 	4 x 1,5 mm ²
380-415V 3N~+ 	5 x 1,5 mm ²
380-425V 2N~+ 	4 x 1,5 mm ²



Підключати прилад до джерела живлення потрібно за допомогою омніполярного вимикача з мінімальним розривом контактів 3 мм.

УВАГА: Кабель електроживлення має бути достатньо довгим, щоб можна було вийняти варильну поверхню з робочої поверхні та перемістити так, щоб уникнути пошкодження або перегріву, спричиненого контактом з основою.

ПРИМІТКА: Дріт заземлення жовтого/зеленого кольору потрібно підключати до клемника, позначеного  символом. Довжина цього дроту має перевищувати довжину інших дротів.

- Вилучіть прибіл. 70 мм оболонки кабелю з кабелю живлення (**B**).
- Зніміть прибіл. 10 мм оболонки з дротів. Потім вставте кабель живлення в затискач кабелю та під'єднайте дроти до клемника, як зображено на схемі з'єднань, розташованій біля самого клемника.
- Закріпіть кабель живлення (**B**) затискачем кабелю.
- Закрийте клеймову панель за допомогою кришки (**A**), а потім закріпіть її за допомогою гвинтів, що постачаються в комплекті.
- Після здійснення підключення до мережі, встановіть варильну панель зверху, підвісивши її до опорних пружин, як це зображено на малюнку.

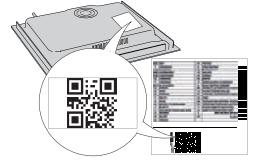


ДЯКУЄМО ЗА ПРИДБАННЯ ВИРОБУ WHIRLPOOL
Для отримання більш повної допомоги зареєструйте свій прилад на сайті www.whirlpool.eu/register.

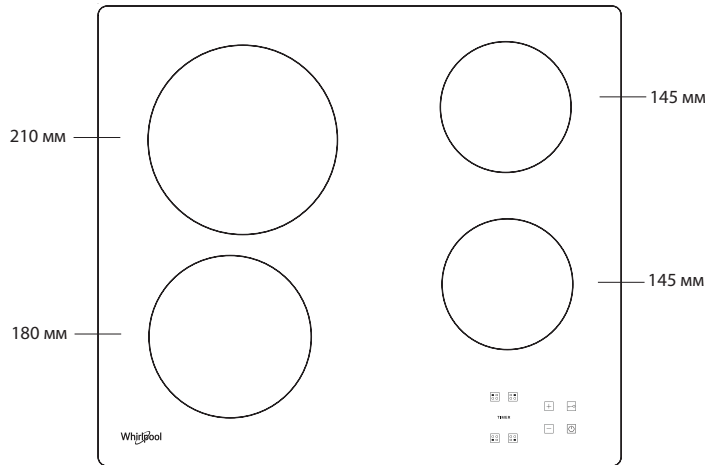


Перед використанням пристрою уважно прочитайте інструкції з техніки безпеки.

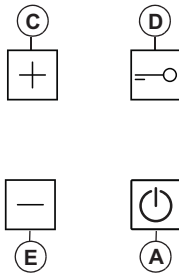
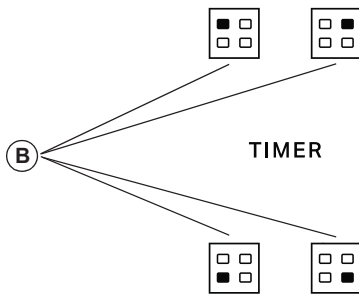
ВІДСКАКУЙТЕ QR-КОД НА СВОЄМУ ПРИЛАДІ, ЩОБ ОТРИМАТИ ДОДАТКОВУ ІНФОРМАЦІЮ



ОПИС ВИРОБУ



ПАНЕЛЬ КЕРУВАННЯ



- A** Вмикання/Вимкнення
- B** Конфорки та встановлення таймера
- C-E** Збільшення та зменшення рівня нагрівання
- D** Блокування кнопок

ПЕРШЕ ВИКОРИСТАННЯ

Після першого встановлення приладу панель керування ініціює функціональну перевірку тривалістю 1 секунда, а потім автоматично активується функція "Блокування кнопок". Для деактивації функції натисніть та утримуйте кнопку "D"; пролунає

акустичний сигнал та відповідна індикація LED буде вимкнена.

ПРИМІТКА: У разі скидання налаштувань виконайте процедуру, описану вище.

ЩОДЕННЕ ВИКОРИСТАННЯ



УВІМКНЕННЯ ТА ВИМКНЕННЯ ВАРИЛЬНОЇ ПАНЕЛІ

Щоб увімкнути варильну панель, натисніть і утримуйте протягом приблизно 2 секунд кнопку "A". Для чотирьох конфорок на дисплеї відобразиться цифра "0" (нуль). Якщо протягом 20 секунд не активовано жодну конфорку, запобіжний захід передбачає автоматичне вимкнення варильної панелі.

УВІМКНЕННЯ ТА НАЛАШТУВАННЯ КОНФОРОК

Натисніть одну з кнопок "B", що відповідає конфорці, яку потрібно використати. За допомогою кнопок "E" та "C" виберіть необхідний рівень нагрівання. Інші можливі налаштування варильної панелі позначаються цифрами від 1 до 9. Щоб скасувати всі налаштування, натисніть одночасно кнопки "+/-".

ВАЖЛИВО! Через 10 секунд після встановлення рівня нагрівання буде вимкнено панель керування.

Щоб змінити рівень нагрівання, спочатку натисніть кнопку вибору "B", а потім за допомогою кнопок "E" та "C" змініть налаштування.

TIMER (ТАЙМЕР)

Щоб установити таймер, виберіть необхідну конфорку та рівень живлення, ще раз натисніть кнопку конфорки й на дисплеї конфорки, для якої встановлено таймер, з'явиться активована точка. На двох дисплеях блимає позначення "00". Натисніть кнопку "E" та "C", щоб установити час (від 1 до 99).

ВАЖЛИВО! Через 10 секунд в областях таймера відобразиться рівень живлення, вибраний для інших конфорок.

Щоб переглянути час готування, що залишився, двічі натисніть кнопку конфорки, для якої встановлено таймер.

ФУНКЦІЯ "A"

Ця функція автоматично знижує рівень потужності конфорки для наступного етапу готування від найвищого значення (9-го рівня) до значення, заданого користувачем.

Щоб активувати цю функцію, у разі досягнення 9-го рівня натисніть кнопку "+". На екрані з'являється літера "A" й цифра "9", вони блимають по черговому з низькою яскравістю.

На цьому етапі потрібно вибрати потрібний рівень потужності (менше 9-го) за допомогою кнопки “–”.

На екрані по чергово блиматимуть із низькою яскравістю літера “А” й вибраний рівень.

Коли літера “А” й вибраний рівень по чергово заблимають на екрані з високою яскравістю, це засвідчить активацію функції.

Коли літера “А” зникне з екрана (функція “А” вимикається автоматично через кілька хвилин, залежно від встановленого рівня потужності), процес приготування продовжиться з меншою потужністю, а на екрані відобразатиметься лише вибраний рівень потужності.

ПРИМІТКА: ця функція недоступна для 9-го рівня потужності.



БЛОКУВАННЯ КНОПОК

Щоб активувати функцію Блокування кнопок натисніть і утримуйте кнопку “D”, доки над кнопкою функції не засвітиться точка.

Панель керування, крім функції вимкнення приладу, буде заблоковано. Навіть якщо вимкнути, а потім увімкнути варильну панель, функція блокування не вимкнеться. Щоб вимкнути її, потрібно натиснути й утримувати кнопку “D”, доки над кнопкою функції не згасне точка.

Якщо варильна панель вимкнена з активованим блокуванням кнопок, для ввімкнення варильної панелі слід спочатку деактивувати блокування кнопок. Для цього потрібно натиснути й утримувати кнопку “D”, доки над кнопкою функції не згасне точка.

Наявність залишків води, пролітої рідини чи інших об'єктів на елементах керування може спричинити випадкове ввімкнення або вимкнення функції блокування кнопок.



ІНДИКАТОР ЗАЛИШКОВОГО ТЕПЛОВИДІЛЕННЯ

Після вимкнення варильної панелі по чергово світлитимуться індикатор залишкового тепловиділення “Н” і позначення “0”, доки температура варильної панелі не знизиться до безпечного рівня.

ВАЖЛИВО! До функцій безпеки варильної панелі належить функція автоматичного вимкнення панелі. Використання конфорки, коли протягом тривалого часу вибрано один рівень нагрівання, ініціює її.

ВАЖЛИВО! Щоб запобігти пошкодженню варильної панелі, дотримуйтеся таких вказівок:

- не використовуйте каструлі з нерівним дном;
- не використовуйте металеві каструлі з емальованим дном;
- не розміщуйте гарячі каструлі/сковороди на панелі керування.

Варильну панель також оснащено функцією “Автоматичне вимкнення”, яка автоматично вимикає конфорку, якщо впродовж певного проміжку часу (залежить від встановленого рівня потужності) не змінити рівень потужності. У таблиці наведено тривалість дії кожного рівня потужності.

РІВЕНЬ ПОТУЖНОСТІ	ЧАС АВТОМАТИЧНОГО ВИМКНЕННЯ
0	30 секунд
1	10 година
2	5 година
3	5 година
4	4 година
5	3 година
6	2 година
7	2 година
8	2 година
9	1 година

ТАБЛИЦЯ ПРИГОТУВАННЯ

РІВЕНЬ ПОТУЖНОСТІ		ТИП ПРИГОТУВАННЯ СТРАВИ	ВИКОРИСТАННЯ РІВНЯ (із зазначенням результату готування та особливостей)
Максимальна потужність	9	Кип'ятіння	Ідеально підходить для швидкого доведення до кипіння води або рідин, що швидко нагріваються.
	9 – 8	Обсмажування	Ідеально підходить для підрум'янювання страв, початку процесу готування, розмороження заморожених продуктів, швидкого кип'ятіння.
Висока потужність	8 – 7	Підрум'янювання – підтримування кипіння – приготування на грилі	Ідеально підходить для підрум'янювання, підтримання стану кип'ятіння на значному вогні, варіння та приготування на грилі (незначна тривалість: 5—10 хвилин).
	7 – 6	Смаження – варіння – приготування на грилі	Ідеально підходить для підтримання стану кип'ятіння на незначному вогні, варіння та приготування на грилі (середня тривалість: 10—20 хвилин), попереднього прогрівання та смаження.
Середня потужність	6 – 5	Делікатне смаження	Ідеально для смаження яєць й приготування омлетів.
	5 – 4	Варіння – повільне кип'ятіння – тушкування	Ідеально підходить для страв, приготування яких займає чимало часу (рис, соуси, печеня, риба), з використанням певних рідин (вода, вино, бульйон, молоко), приготування соусу для макаронних страв.
	4 – 3	Згущування – соус для макаронних страв	
Низька потужність	2 – 1	Підігрівання – приготування ризото	Ідеально для підтримання щойно приготованої їжі (наприклад, соусів, супів, мінестроне) у гарячому стані, приготування ризото та підтримання страв у гарячому стані перед подачею.
Мінімальна потужність	1	Розморожування	Ідеально підходить для розморожування дрібних продуктів та повільного пом'якшення масла чи повільного топлення шоколаду.
Нульова потужність	0	–	Варильна панель у режимі очікування або вимкнута (після готування можлива наявність залишкового тепла, про що свідчить літера “Н” на дисплеї).

ОЧИЩЕННЯ І ОБСЛУГОВУВАННЯ

⚠ Від'єднайте прилад від джерела живлення.

- Ніколи не застосовуйте пристрої чищення паром.
- Не використовуйте металеві скребки або абразивні губки, оскільки вони можуть пошкодити скло.
- Після кожного використання очищуйте варильну панель (коли вона охолоне) від плям та залишків їжі.
- Цукор або продукти з високим вмістом цукру можуть пошкоджувати

поверхню варильної панелі, тому їх слід негайно видаляти.

- Сіль, цукор і пісок можуть подряпати скляну поверхню.
- Використовуйте м'яку ганчірку, кухонну серветку, що вбирає вологу, або спеціальний засіб чищення для варильної панелі (дотримуйтесь інструкцій виробника).
- Пролита на конфорки рідина може спричинити вібрацію та зсування посуду.
- Після чищення ретельно висушуйте варильну панель.

ПОСІБНИК З УСУНЕННЯ НЕСПРАВНОСТЕЙ

Якщо варильна панель працює неналежним чином, перш ніж звертатися до центру післяпродажного обслуговування, перегляньте “Посібник з усунення несправностей”, щоб визначити проблему.

- Прочитайте інструкції, наведені у розділі “Щоденне використання”, та дотримуйтесь їх.
- Перевірте, чи не перекрито постачання живлення.
- Очистивши варильну панель, ретельно протріть її м'якою сухою ганчіркою.
- Якщо була обрана конфорка та на дисплеї з'являється “F” або “ER” із цифрою, зверніться до центру післяпродажного обслуговування та повідомте про це.
- Якщо відображається код помилки “F03”, “ER03” або “E02”, спробуйте усунути її в зазначений нижче спосіб.
 - Якщо відображається код помилки “E02”, переконайтеся, що ви не натискали кнопки понад 5 секунд, у зоні інтерфейсу керування немає сторонніх предметів і поверхня цієї зони чиста й суха. Під час чищення дотримуйтесь указівок щодо обслуговування та чищення.
 - Якщо відображається помилка “F03”, спробуйте вимкнути її повторно ввімкнути варильну панель.
 - Якщо відображається помилка “F04”, зверніться до центру післяпродажного обслуговування та повідомте код, що відображається.
- Якщо варильна поверхня не працює через інтенсивне використання,

то внутрішня температура варильної поверхні занадто висока. Почекайте кілька хвилин, поки варильна панель охолоне.

- Якщо конфорка не лишається постійно ввімкненою, а натомість циклічно вмикається й вимикається, навіть якщо рівень потужності на екрані не змінюється, це є нормальною роботою варильної панелі. Завдяки періодичному вмиканню/вимиканню контролюється рівень потужності конфорки. Це є нормальним явищем. У деяких випадках функція теплового захисту може на певний час спричинити вимкнення конфорки, щоб запобігти пошкодженню скла. Приклади таких випадків: довготривале готування страви на великому вогні; використання каструль, площа дна яких менша за площу конфорки; використання каструль із нерівним дном.
- Якщо варильна поверхня видає короткий звук, коли користувач не натискає жодної кнопки, перевірте, чи не пролилася рідина на зону інтерфейсу керування, і за необхідності витріть її. Висушіть зону інтерфейсу керування, після чого можна продовжити експлуатацію варильної панелі. Якщо варильна панель автоматично вимкнулася, це могла спричинити рідина в зоні інтерфейсу керування. Висушіть зону інтерфейсу керування, після чого знову ввімкніть варильну панель.

Якщо після вищевказаних перевірок несправність не зникає, зверніться до найближчого післяпродажного обслуговування.

ПІСЛЯПРОДАЖНЕ ОБСЛУГОВУВАННЯ

Для отримання більш повної допомоги зареєструйте свій прилад на сайті www.whirlpool.eu/register.

ПЕРШ НІЖ ЗВЕРТАТИСЯ ДО ЦЕНТРУ ПІСЛЯПРОДАЖНОГО ОБСЛУГОВУВАННЯ, ВИКОНАЙТЕ НАВЕДЕНІ НИЖЧЕ ДІЇ:

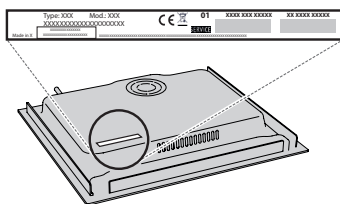
1. Перевірте, чи можна вирішити проблему самостійно за допомогою порад, наведених у розділі **ПОСІБНИК ІЗ УСУНЕННЯ НЕСПРАВНОСТЕЙ**.
2. Вимкніть прилад і знову увімкніть його, щоб перевірити, чи несправність залишається.

ЯКЩО ПІСЛЯ ВИЩЕВКАЗANOЇ ПЕРЕВІРКИ НЕСПРАВНІСТЬ НЕ ЗНИКНЕ, ЗВЕРНІТЬСЯ ДО НАЙБЛИЖЧОГО ЦЕНТРУ ПІСЛЯПРОДАЖНОГО ОБСЛУГОВУВАННЯ.

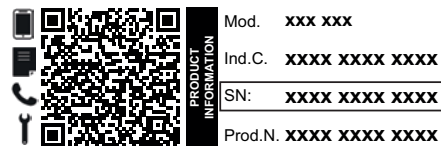
Щоб отримати допомогу, зверніться за номером, що вказаний у гарантійному талоні, або дотримуйтесь інструкцій на сайті www.whirlpool.eu.

Під час зв'язку з нашим Сервісом післяпродажного обслуговування завжди уточнюйте:

- короткий опис несправності;
- тип і точну модель приладу;



- серійний номер (номер після слова SN на паспортній табличці, розташованій під приладом). Серійний номер вказаний також у документації;



- повна адреса вашого місця проживання;
- ваш номер телефону.

Якщо потрібен ремонт, зверніться в авторизований центр післяпродажного обслуговування (щоб гарантувати, що будуть використані оригінальні запчастини та ремонт буде виконано правильно).

З правилами, стандартною документацією та додатковою інформацією про виріб можна ознайомитися наступним чином:

- за допомогою QR-коду на вашому побутовому приладі;
- відвідавши наш веб-сайт docs.whirlpool.eu;
- або **звернувшись до нашого центру післяпродажного обслуговування клієнтів** (номер телефону зазначено у гарантійному талоні). Звертаючись до центру післяпродажного обслуговування, повідомте коди, зазначені на табличці з паспортними даними виробу



من المهم قراءتها والالتزام بها

إجراء أية أعمال تركيب - خطر الصعق الكهربائي. وأثناء التركيب، تأكد من عدم إلحاق أي ضرر بكابلات الكهرباء من جراء الجهاز - خطر نشوب حريق أو الصعق الكهربائي. ولا تقم بتفعيل الجهاز إلا عند اكتمال عملية التركيب. **⚠** قم بتنفيذ جميع أعمال قطع الكابينة قبل تركيب الجهاز في المبيت وتخلص بعناية من جميع الرقاقات الخشبية ونشارة الخشب. **⚠** إذا لم يتم تركيب الجهاز فوق فرن، فيجب تركيب لوح فاصل (غير مورد) في الجزء الموجود أسفل الجهاز.

التحذيرات الكهربائية

⚠ يجب توفر إمكانية فصل الجهاز من مصدر الكهرباء من خلال نزع القابس إن أمكن الوصول إليه، أو باستخدام مفتاح متعدد الأقطاب ومركب عند المقبس بالتوافق مع قواعد التوصيل، ويجب أن يكون الجهاز مؤرضاً، بالتوافق مع مواصفات الأمان الكهربائية المحلية.

⚠ لا تستخدم أسلاك التمديد، أو المقابس متعددة التوصيلات أو المهايئات. يجب ألا يتسنى للمستخدم إمكانية الوصول إلى الأجزاء الكهربائية بعد التركيب. لا تستخدم الجهاز إذا كانت يداك مبتلئين أو قدمك حافيتين. ولا تقم بتشغيل هذا الجهاز إذا كان هناك تلف في كابل أو قابس الكهرباء، أو في حالة تعذر تشغيله بالطريقة الصحيحة، أو إذا كان تالفاً، أو إذا سقط على الأرض.

⚠ لا يُسمح بالتركيب باستخدام قابس كابل كهرباء ما لم يكن المنتج مجهزاً بالفعل بالقابس الذي توفره الجهة الصانعة.


⚠ إذا لحق أي تلف بسلك التوصيل يجب استبداله عن طريق جهة الصنع أو وكيل الصيانة التابع لها أو أي شخص مؤهل بنفس الدرجة وذلك لتجنب المخاطر - خطر الصعق الكهربائي.

التنظيف والصيانة

⚠ تحذير: تأكد من إيقاف الجهاز ومن فصله عن مصدر الكهرباء قبل إجراء أية أعمال صيانة، لا تستخدم أبداً أجهزة التنظيف بالبخار - خطر الصعق الكهربائي.

⚠ لا تستخدم منتجات أكالة أو كاشطة أو منظفات كلورية أو أدوات تنظيف الأواني.


التخلص من مواد التغليف

مواد التغليف قابلة لإعادة التدوير بنسبة % 100 ومميزة برمز إعادة التدوير ، لذا، يجب التخلص من أجزاء التغليف المختلفة بطريقة مسؤولة وبالتوافق التام مع تشريعات السلطات المحلية الحاكمة لعملية التخلص من المخلفات.

تكهين الأجهزة المنزلية

تم تصنيع هذا الجهاز باستخدام مواد قابلة لإعادة التدوير أو إعادة الاستخدام. تخلص منه وفقاً للوائح المحلية الخاصة بالتخلص من المخلفات. لمزيد من المعلومات حول المعالجة والاسترداد وإعادة التدوير للأجهزة الكهربائية المنزلية، اتصل بالجهة المحلية المختصة أو خدمة جمع النفايات المنزلية أو المتجر الذي اشتريته منه الجهاز. هذا الجهاز مميز حسب المواصفة الأوروبية 2012/19/EU، والأجهزة الكهربائية والإلكترونية القديمة (WEEE) ومع تشريعات الأجهزة الكهربائية والإلكترونية القديمة (2013 وتعديلاتها).

من خلال التأكد من التخلص من هذا المنتج بالطريقة الصحيحة سوف تساعد في منع النتائج السلبية على البيئة وصحة الإنسان.

يشير الرمز  الموجود على المنتج أو على المستندات المرافقة للمنتج إلى أنه لا ينبغي التعامل مع هذا المنتج على أنه من المخلفات المنزلية، ولكن يجب تسليمه إلى مركز تجميع ملائم لإعادة تدوير الأجهزة الكهربائية والإلكترونية.

نصائح توفير الطاقة

احرص على تحقيق أقصى استفادة من الحرارة المتبقية بسطح التسخين من خلال إطفائه قبل نهاية الطهي بضع دقائق. قاعدة الوعاء أو الإناء الخاص بك ينبغي أن تغطي سطح التسخين بالكامل، فالوعاء الذي يكون أصغر من سطح التسخين سوف يتسبب في إهدار الطاقة. قم بتغطية الأواني والأوعية الخاصة بك بأغطية محكمة الغلق أثناء الطهي واستخدم كمية قليلة من الماء قدر الإمكان. فالطهي دون وضع غطاء على الإناء سوف يزيد من استهلاك الطاقة بشكل كبير. اقتصر على استخدام الأواني والأوعية ذات القواعد المسطوية.

بيان المطابقة

هذا الجهاز يطابق متطلبات التصميم الاقتصادي للتشريع الأوروبي 66/2014 وتشريعات التصميم الاقتصادي للمنتجات المرتبطة بالطاقة والمعلومات (المعدلة) (EU Exit) 2019، بالتوافق مع المواصفة الأوروبية 60350-2:EN.

قم بتنزيل دليل التعليمات من الموقع <http://\docs.whirlpool.eu> أو اتصل برقم الهاتف الموضح على كتيب الضمان.

اقرأ تعليمات السلامة هذه قبل استخدام الجهاز. واحتفظ بها في مكان قريب للرجوع إليها مستقبلاً.

تقدم هذه التعليمات والجهاز نفسه تحذيرات هامة خاصة بالسلامة يجب مراعاتها في جميع الأوقات. لا تتحمل الجهة الصانعة أي مسؤولية ناجمة عن عدم مراعاة تعليمات السلامة هذه، أو استخدام الجهاز بطريقة غير سليمة، أو ضبط عناصر التحكم بطريقة غير صحيحة.

⚠ تحذير: في حالة تشقق سطح الموقد، لا تستخدم الجهاز - خطر الصعق الكهربائي.

⚠ تحذير: خطر نشوب حريق: لا تقم بتخزين الأشياء على أسطح الطهي. **⚠** تنبيه: يجب مراقبة عملية الطهي. ويجب مراقبة عملية الطهي القصيرة بصفة مستمرة.

⚠ تحذير: طهي أطعمة تحتوي على دهون أو زيوت على الموقد دون مراقبة يمكن أن يكون خطيراً - خطر نشوب حريق. لا تحاول أبداً إطفاء الحريق باستخدام الماء؛ وبدلاً من ذلك، أطفئ الجهاز ثم قم بتغطية اللهب مثلاً بغطاء أو ببطانية إطفاء حريق.

⚠ لا تستخدم الموقد كسطح عمل أو كسطح ارتكاز. احتفظ بالملابس والمواد الأخرى القابلة للاشتعال بعيداً عن الجهاز إلى أن تبرد جميع الأجزاء تماماً - خطر نشوب حريق.

⚠ يجب إبعاد الأطفال الصغار في عمر (0-3 سنوات) عن الجهاز.

يجب إبعاد الأطفال الصغار (من 3 إلى 8 سنوات) عن الجهاز ما لم يكونوا تحت المراقبة المستمرة. ويمكن للأطفال اعتباراً من عمر 8 سنوات فأكثر، وللأشخاص الذين لديهم نقص في القدرات البدنية أو الحسية أو العقلية، أو لمن تتقصم الخبرة والمعرفة استخدام هذا الجهاز بشرط الإشراف عليهم أو تزويدهم بالتعليمات المتعلقة باستخدامه بطريقة آمنة، وإذا فهموا الأخطار المتعلقة به. يجب ألا يعيب الأطفال بهذا الجهاز. يحظر على الأطفال تنظيف الجهاز وصيانته دون إشراف.

⚠ تحذير: يسخن الجهاز وأجزاؤه التي يمكن الوصول إليها أثناء الاستخدام. يجب توخي الانتباه لتجنب ملامسة عناصر التسخين. يجب إبعاد الأطفال دون سن 8 سنوات إلا إذا كانت هناك ملاحظة وإشراف دائم عليهم.

الاستخدام المسموح به

⚠ تنبيه: الجهاز غير مخصص للاستخدام عن طريق جهاز تشغيل خارجي مثل مؤقت خارجي أو نظام تشغيل عن بعد مستقل.

⚠ هذا الجهاز مخصص للاستخدام في الأغراض المنزلية وما شابهها مثل: منطقة المطبخ في المحلات والمكاتب وبيئات العمل الأخرى، البيوت الريفية، ومن قبل نزلاء الفنادق والموتيلات والنزل بنظام المبيت والإفطار والبيئات الأخرى ذات الطابع السكني.

⚠ ولا يُسمح باستخدامه في أي أغراض أخرى (مثلاً: تدفئة الغرف).

⚠ هذا الجهاز غير مخصص للاستخدام المهني. لا تستخدم الجهاز في الهواء الطلق.

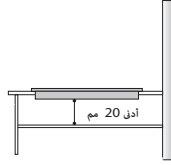
التركيب

⚠ يجب التعامل مع الجهاز وتركيبه بواسطة شخصين أو أكثر - خطر الإصابة. ويتعين استخدام قفازات واقية لإخراج الجهاز من العبوة وتركيبه - خطر الإصابة بجروح.

⚠ يجب إجراء عمليات التركيب بما فيها الإمداد بالماء (إذا كان موجوداً) والتوصيلات الكهربائية والإصلاح بواسطة فني مؤهل. لا تقم بإصلاح أو تغيير أي جزء من أجزاء الجهاز ما لم ينص دليل المستخدم على ذلك بشكل محدد. وأبعد الأطفال عن موقع التركيب. بعد إخراج الجهاز من عبوته، تحقق من عدم تضرره أثناء النقل. وفي حالة وجود مشكلات، اتصل بالموزع أو أقرب مركز لخدمة ما بعد البيع. بمجرد إتمام التركيب، يجب تخزين مخلفات عبوة التغليف (الأجزاء البلاستيكية والسائير وروم وخلافه) بعيداً عن متناول الأطفال - خطر الاختناق. ويجب فصل الجهاز عن مصدر الكهرباء قبل



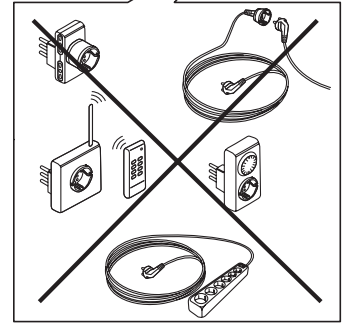
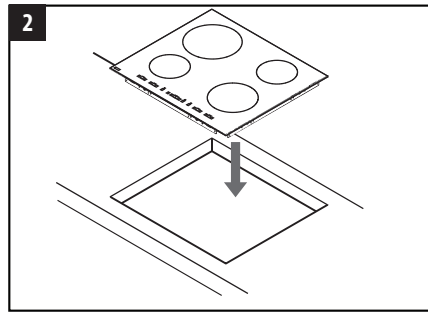
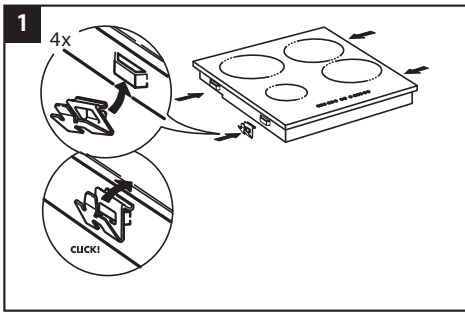
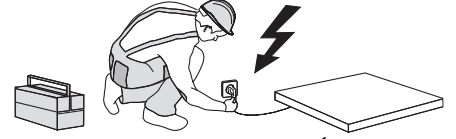
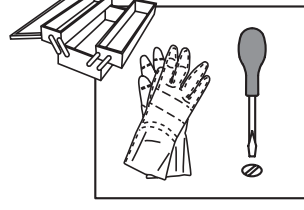
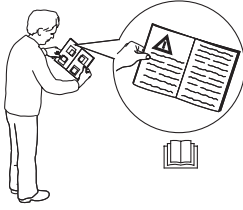
التوصيل الكهربائي



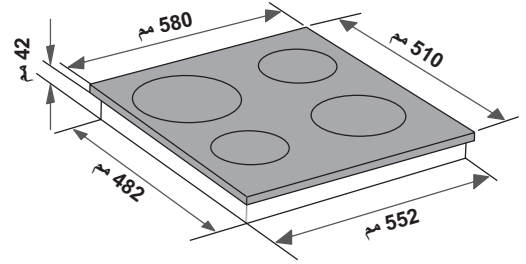
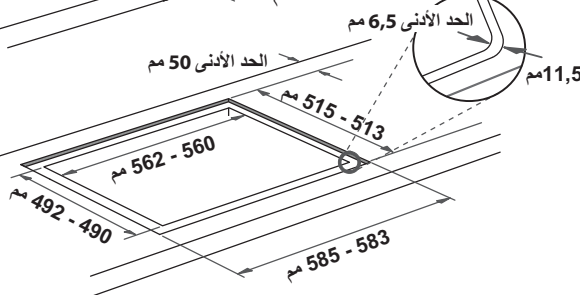
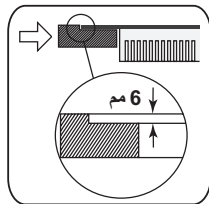
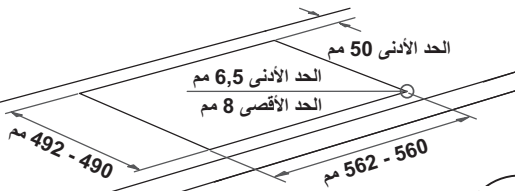
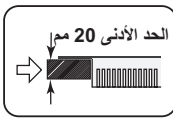
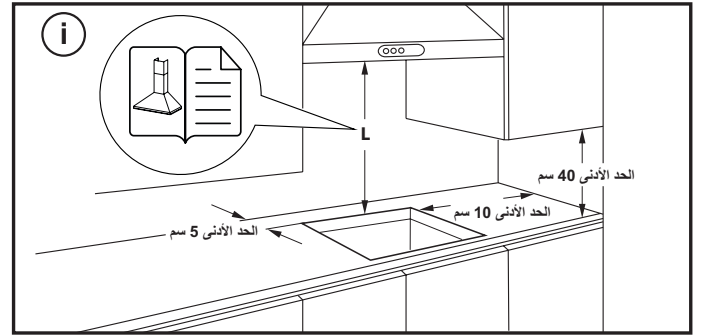
- يجب وضع الموقد في سطح عمل بعمق 20م على الأقل.
- يجب عدم وجود أي شيء بين الموقد والفرن (قضبان عرضية، ركائز، وما شابه).
- تأكد من أن سلك الكهرباء طويل بما يكفي للسماح بالتركيب المريح.
- يجب ألا تقل المسافة بين السطح السفلي للموقد الخزفي الزجاجي والخزانة أو اللوحة الفاصلة عن 20م.
- للاطلاع على أبعاد الدمج والتركيب، انظر الصورة في هذه الفقرة.
- الحد الأدنى للمسافة التي يجب الحفاظ عليها بين الموقد والشفاف من فوقه. للمزيد من المعلومات يرجى الرجوع إلى دليل مستخدم الشفاف.
- ضع الجوانب المرورد على الموقد المسطح (ما لم يكن مركباً بالفعل)، بعد تنظيف سطحه.
- لا تَقم بتركيب الموقد المسطح بالقرب من غسالة أطباق أو غسالة ملابس، وذلك حتى لا تتلامس الدوائر الإلكترونية مع البخار أو الرطوبة، وبالتالي تتسبب في إتلافها.
- في حالة تركيب فرن أسفل الموقد المسطح، تأكد من تزويد الفرن بنظام تبريد إذا تجاوزت درجة حرارة الدوائر الإلكترونية درجة الحرارة القصوى المسموح بها، فسيتم إيقاف الموقد المسطح أو توماتيكياً، في هذه الحالة، انتظر دقائق قليلة إلى أن تصل درجة الحرارة الداخلية للدوائر الإلكترونية لمستوى مقبول، حيث يمكن عند هذه النقطة تشغيل الموقد مرة أخرى.

وضع الموقد

بعد التوصيل الكهربائي (انظر فصل "التوصيل الكهربائي") قم بوضع كل مشبك تثبيت على الفتحات المعنية بالجوانب الجانبية للموقد كما هو موضح في الصورة. وبعد ذلك ادفع الموقد داخل التجويف وتأكد من أن الزجاج مستوي ويوازي سطح العمل. مشابه التثبيت مصممة لجميع أنواع مواد سطح العمل (الخشب، الرخام، إلخ).



المسافات والأبعاد التي يجب مراعاتها



خلع الموقد:

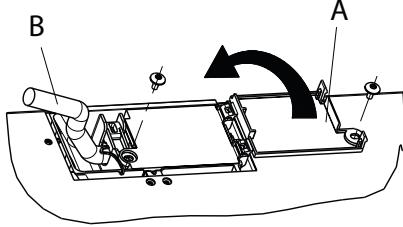
لخلع الموقد، يجب فصله أولاً من مصدر التيار الكهربائي. يوصى بشدة بتحرير الجزء السفلي من الفرن أو الدرج أو الفاصل أو غيره. يسمح للفني بالوصول إلى الجزء السفلي من الموقد لفك المشابك الأربعة بواسطة مفك ورفع الموقد وخلعه وتجنب أي تلف في سطح العمل.

التوصيل الكهربائي

يجب إتمام التوصيلة الكهربائية قبل توصيل الجهاز بمصدر إمداد الكهرباء. لا يتوفر سلك الكهرباء في العبوة - احرص على تحضير سلك الكهرباء الخاص بك. يجب أن يتم التركيب بمعرفة شخص مؤهل ذو اطلاع جيد بتشريعات السلامة والتركيب المعمول بها. بصفة خاصة، يجب أن تتم عملية التركيب طبقاً لتعليمات شركة الإمداد بالكهرباء المحلية. تأكد من أن قيمة الفلطية المدونة على لوحة البيانات الموجودة أسفل الجهاز مساوية لقيمة فلطية تيار الشبكة الكهربائية. تشترط اللوائح أن يتم تأريض الجهاز: اقتصر على استخدام موصلات (بما فيها موصل الأرضي) بالمقاس المناسب.

التوصيل بكتلة أطراف التوصيل

استخدم كابل F-RR50H أو F-2V2V50H (كما هو موضح بالجدول أدناه) للتوصيل الكهربائي.



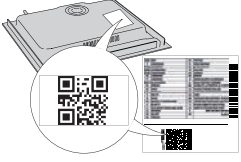
جهد الإمداد	موصلات الكمية x الحجم
240-220 فلت ~ +	3 x 4 مم ²
240-230 فلت ~ +	3 (أستراليا فقط) x 4 مم ²
240-220 فلت 3 ~ +	4 x 1,5 مم ²
415-380 فلت 3N ~ +	5 x 1,5 مم ²
425-380 فلت 2N ~ +	4 x 1,5 مم ²

يجب توصيل الجهاز بمصدر الإمداد بالكهرباء عن طريق مفتاح فصل لجميع الأقطاب بفجوة تلامس لا تقل عن 3 مم.

تنبيه: يجب أن يكون كابل الكهرباء طويلاً بالقدر الكافي للسماح بخلع الموعد المسطح من سطح العمل، كما يجب وضعه بحيث تتجنب تعرضه للتلف أو السخونة المفرطة نتيجة ملامسته للقاعدة.

ملاحظة: يجب توصيل سلك التأريض الأصفر/الأخضر بطرف التوصيل المميز بالرمز (⊕)، كما يجب أن يكون أطول من الأسلاك الأخرى.

- قم بإزالة حوالي 70 مم من غلاف كابل الإمداد بالتيار الكهربائي (B).
- قم بتقشير حوالي 10 مم من عازل أسلاك الكهرباء. بعد ذلك أدخل كابل الإمداد بالتيار الكهربائي في مشبك الكابل، وقم بتوصيل الأسلاك بكتلة أطراف التوصيل كما هو مبين في مخطط التوصيل الموجود بجانب كتلة أطراف التوصيل ذاتها.
- قم بتأمين كابل الإمداد بالتيار الكهربائي (B) باستخدام مشبك الكابل.
- أغلق لوحة أطراف التوصيل باستخدام الغطاء (A) وقم بتأمينها باستخدام البرغي المورد.
- بعد التوصيل الكهربائي، قم بتركيب الموعد من السطح وقم بتعليقه في نواحي التثبيت، كما هو موضح في الشكل.



يُرجى مسح رمز الاستجابة السريعة على جهازك من أجل الحصول على مزيد من المعلومات

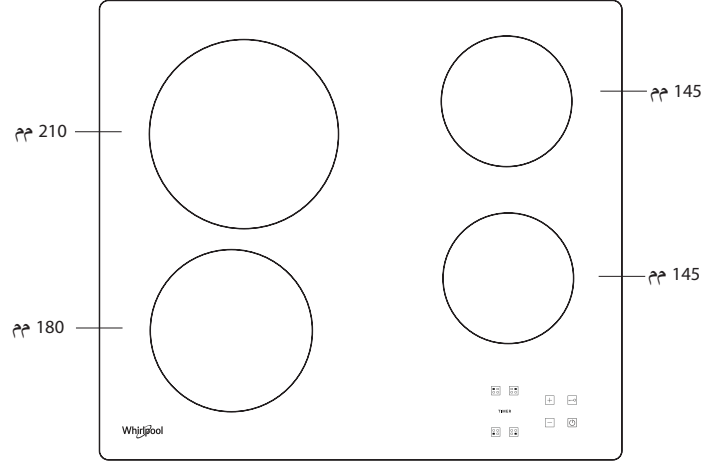
نشكرك على شرائك أحد منتجات شركة WHIRLPOOL للحصول على المزيد من المساعدة التفصيلية، يرجى تسجيل جهازك على www.whirlpool.eu/register



واقرا تعليمات السلامة بعناية قبل استخدام الجهاز.

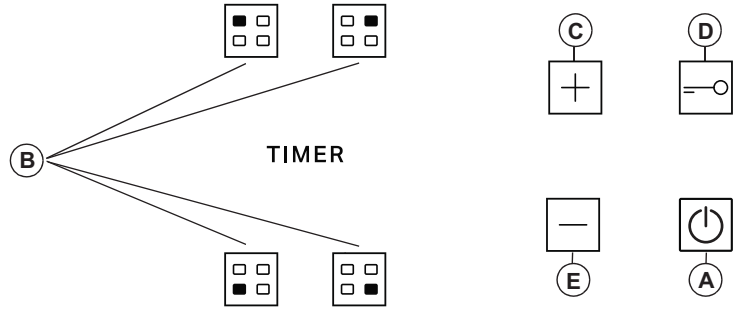


وصف المنتج



لوحة التحكم

تشغيل/إيقاف تشغيل	A
تحديد الموقت ومنطقة الطهي	B
زيادة ونقص إعداد الحرارة	E - C
قفل المفاتيح	D



أول مرة للاستخدام

LED ذو الصلة. ملاحظة: إذا تمت إعادة التشغيل، فكرر الإجراء الموضح أعلاه.

عند التركيب لأول مرة، تجري لوحة التحكم اختبار وظيفي لمدة ثانية واحدة تقريبًا، وبعد هذا الاختبار تنتقل تلقائيًا إلى وظيفة "قفل المفاتيح". لإلغاء تنشيط الوظيفة، اضغط مع الاستمرار فوق الزر "D"، وستصدر إشارة تحذير وسيبقى مؤشر

الاستخدام اليومي

مهم: بعد مرور 10 ثوانٍ سيظهر على شاشة الموقت إعداد الحرارة الخاص بمناطق الطهي الأخرى. لمشاهدة وقت الطهي المتبقي، اضغط فوق مفتاح موقت منطقة الطهي القابل للتحكم مرتين.

الوظيفة A

تتيح هذه الوظيفة تقليل مستوى قدرة نطاق الطهي أوتوماتيكيًا من أعلى قيمة (المستوى 9) إلى القيمة التي يختارها المستخدم لمرحلة لاحقة من الطهي. لتفعيل هذه الوظيفة، اضغط أولاً على زر "+" عند الوصول إلى المستوى 9. تعرض الشاشة "A" و "9" كومبوزيت بالتناوب مع شدة إضاءة منخفضة. في هذه اللحظة، اختر مستوى القدرة المرغوب (أقل من 9) بواسطة الزر "-". يومض الحرف "A" والمستوى المختار بالتناوب على الشاشة مع شدة إضاءة منخفضة. يتم تفعيل الوظيفة بمجرد وميض الحرف "A" والمستوى المختار بالتناوب على الشاشة مع شدة إضاءة منخفضة. بمجرد أن يصبح الحرف "A" غير مرئي على الشاشة (تتوقف وظيفة "A" أوتوماتيكيًا بعد عدة دقائق، وفقًا لمستوى القدرة المضبوط)، تستمر عملية الطهي بقدرة أقل وتعرض الشاشة مستوى القدرة المختار فقط. ملاحظة: هذه الوظيفة غير متاحة مع المستوى 9.

تشغيل/إيقاف الموقت

لتشغيل المسخنة، اضغط على الزر "A" لمدة ثانيتين تقريبًا. يظهر على شاشات منطقة الطهي الأربعة "0". إذا لم يتم تنشيط أي من مناطق الطهي خلال 20 ثانية، فستتطفئ المسخنة تلقائيًا وفقًا لاحتياجات السلامة.

تشغيل وضبط نطاقات الطهي

اضغط على أحد أزرار "B" المقابلة لمنطقة الطهي التي تنوي استخدامها. اختر إعداد الحرارة اللازم باستخدام الأزرار "E" أو "C". تبدأ إعدادات الطهي القابلة للتحديد الأخرى من 1 إلى 9. اضغط فوق +/- في نفس الوقت لإلغاء جميع الإعدادات.

مهم: يتم إلغاء تنشيط التحكم لمدة 10 ثوانٍ بعد أن يتم تحديد إعداد التسخين. لتغيير إعداد الحرارة، اضغط أولاً على زر التحديد "B" مرة أخرى، ثم استمر في الخطوات لتغيير الإعداد باستخدام الأزرار "E" أو "C".

TIMER

لضبط وظيفة الموقت، حدد منطقة الطهي المرغوب فيها وإعداد الطاقة ثم اضغط فوق مفتاح منطقة الطهي مرة أخرى وستظهر نقطة مضيئة على شاشة موقت منطقة الطهي القابل للتحكم. يومض المؤشر "00" على الشاشتين. اضغط فوق الأزرار "C" أو "E" لضبط الوقت من 1 إلى 99.



قفل المفاتيح

تم تجهيز الموقد أيضاً بوظيفة "الإيقاف الأوتوماتيكي" التي تعمل على إيقاف نطاق الطهي إذا لم يتم تعديل مستوى القدرة بعد إطار زمني محدد وفقاً لإعداد القدرة نفسه. في الجدول، تجد المدة الزمنية لكل مستوى قدرة.

مستوى القدرة	وقت الإيقاف التلقائي
0	30 ثانية
1	10 ساعات
2	5 ساعات
3	5 ساعات
4	4 ساعات
5	3 ساعات
6	2 ساعة
7	2 ساعة
8	2 ساعة
9	1 ساعة

يتم تشغيل وظيفة قفل المفاتيح بواسطة الضغط مع الاستمرار فوق الزر "D" حتى تضيق النقطة الموجودة أعلى زر الوظيفة. يتم قفل لوحة التحكم ما عدا وظيفة الإيقاف. تظل الوظيفة مشغلة حتى بعد إيقاف الموقد وتشغيله مرة أخرى ويمكن إيقاف فعاليتها بالضغط على الزر "D" مجدداً إلى أن تتطفي النقطة أعلى زر الوظيفة.

عندما يكون الموقد متوقف مع تفعيل قفل المفاتيح لتشغيل الموقد، قم أولاً بإيقاف فعالية وظيفة قفل المفاتيح عن طريق الضغط على الزر "D" مرة أخرى حتى تتطفي النقطة فوق زر الوظيفة. وجود ماء أو سائل مسكوب من الأواني أو أية أشياء مستندة على عناصر التحكم يمكن أن يؤدي إلى تفعيل أو إيقاف فعالية قفل المفاتيح.

H مؤشر الحرارة الثابت

عند إيقاف تشغيل منطقة الطهي، يظل مؤشر الحرارة الثابت "H" مضيئاً أو يومض بالتبادل مع "0" تعود درجة حرارة المسخنة إلى نطاق مستويات السلامة.

مهم: تتضمن ميزات السلامة بالمسخنة ووظيفة إيقاف التشغيل التلقائي. يؤدي الاستخدام لفترات طويلة لنفس إعداد الحرارة إلى تحفيز إيقاف التشغيل التلقائي لمنطقة الطهي (على سبيل المثال، بعد ساعة كحد أقصى من استخدام إعداد التسخين، يتم إيقاف تشغيل المسخنة).

هام: لتجنب حدوث ضرر دائم للموقد:

- لا تستخدم الأواني ذات القواعد غير المستوية،
- لا تستخدم الأواني المعدنية ذات القواعد المطلية،
- لا تضع الأواني/المقالي فوق لوحة التحكم.

جدول الطهي

مستوى القدرة	نوع الطهي	استخدام المستوى (وفقاً لخبرة وعادات الطهي)
أقصى قدرة	9	مثالي لزيادة درجة حرارة الطعام بسرعة للغلي السريع في حالة الماء أو التسخين السريع لسوائل الطهي.
	9 - 8	مثالي للتحمير وبدء الطهي وتحمير المنتجات المجمدة والغلي السريع.
قدرة عالية	8 - 7	مثالي للتحمير والحفاظ على درجة غليان عالية والطهي والشواء (مدة قصيرة، 5-10 دقائق).
	7 - 6	مثالي للغلي البطيء والحفاظ على درجة غليان منخفضة والطهي والشواء (مدة متوسطة، 20-10 دقيقة)، الإحماء والقلي.
قدرة متوسطة	6 - 5	مثالي لغلي البيض وأطباق الأومليت.
	5 - 4	مثالي للطهي المطول (الأرز، الصوصات، لحم الروستو، الأسماك) مع السوائل (على سبيل المثال الماء، الحساء، اللبن)، المعجنات الكريمة.
قدرة منخفضة	4 - 3	مثالي للحفاظ على سخونة الطعام المطهي للتو (مثل الصوصات والحساء والشورية)، الريزوتو الكريمة والحفاظ على سخونة أطباق التقديم.
	2 - 1	مثالي لإذابة المنتجات الصغيرة والصهر برفق للشوكولاتة أو الزبد.
أقل قدرة	1	الموقد في طريقة الاستعداد أو الإيقاف (قد تكون هناك حرارة متبقية في نهاية الطهي، يُشار إليها بحرف "H").
بدون قدرة	0	إذابة التجمد
	-	-

التنظيف والصيانة

- السكر أو الأطعمة التي بها نسبة عالية من السكر تتسبب في إلحاق الضرر بالموقد ويجب إزالتها على الفور.
- الملح والسكر والرمل يمكن أن تخدش السطح الزجاجي.
- استخدم قطعة قماش ناعمة أو ورق مطبخ له قدرة على الامتصاص أو منظم خاص بالموقد (اتباع إرشادات الجهة الصانعة).
- انسكاب السوائل على نطاقات الطهي قد يتسبب في تحريك الإناء أو اهتزازها.
- قم بتجفيف الموقد بعناية بعد تنظيفه.

⚠️ أفضل الجهاز عن مصدر الإمداد بالكهرباء.

- لا تستخدم أجهزة التنظيف البخار.
- لا تستخدم إسفنجات خشنة أو حشوات تنظيف خادشة لأنها قد تلحق الضرر بالزجاج.
- بعد كل استخدام، قم بتنظيف الموقد (عندما يبرد) لإزالة أية ترسبات أو بقع ناتجة عن بقايا الأطعمة.

إذا لم يعمل الموقد بشكل صحيح، فارجع إلى دليل التغلب على الأعطال لتحديد المشكلة، وذلك قبل الاتصال بخدمة ما بعد البيع.

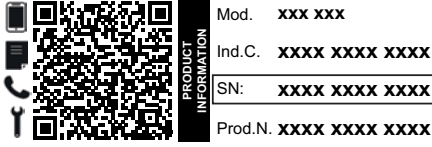
إذا لم يعمل الموقد بشكل صحيح، فارجع إلى دليل التغلب على الأعطال لتحديد المشكلة، وذلك قبل الاتصال بخدمة ما بعد البيع.

إذا لم يعمل الموقد بشكل صحيح، فارجع إلى دليل التغلب على الأعطال لتحديد المشكلة، وذلك قبل الاتصال بخدمة ما بعد البيع.

- اقرأ واتباع التعليمات الواردة في جزء "الاستخدام اليومي".
- تأكد من عدم قطع مصدر إمداد الكهرباء.
- قم بتجفيف الموقد بعناية بعد تنظيفه.
- إذا تم اختيار نطاق الطهي/وظهر الحرف "F" أو كلمة "ER" في وحدة العرض متبوعة برقم، عندئذ يُرجى الاتصال بخدمة ما بعد البيع وإبلاغهم بذلك.
- إذا كان كود الخطأ "F03" أو "ER03" أو "E02"، حاول حله باتباع هذه التعليمات:
- إذا ظهر الخطأ "E02"، فيرجى التأكد من عدم الضغط على الأزرار لأكثر من 5 ثوانٍ، وعدم وجود أية أشياء في نطاق HMI وأنه نظيف وجاف - عند التنظيف، يرجى اتباع فترة الصيانة والتنظيف.
- إذا ظهر الخطأ "F03"، فحاول إيقاف الموقد وتشغيله مرة أخرى.
- إذا ظهر الخطأ "F04"، فاتصل بخدمة ما بعد البيع وأخبرهم بالكود الذي يتم عرضه.

خدمة ما بعد البيع

الرقم التسلسلي (الرقم بعد كلمة NS على لوحة التصنيف الموجودة أسفل الجهاز). كما تم الإشارة إلى الرقم التسلسلي أيضاً في الوثائق،



- عنوانك بالكامل،
- رقم هاتفك.

عند الحاجة للقيام بأية إصلاحات، يرجى الاتصال بأحد مراكز خدمة ما بعد البيع المعتمدة (لضمان استخدام قطع الغيار الأصلية وتنفيذ الإصلاحات بشكل صحيح).

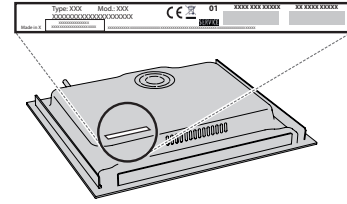
للحصول على مزيد من المساعدة والدعم الشامل، يرجى تسجيل منتجك على الموقع www.whirlpool.eu/register

قبل الاتصال بخدمة ما بعد البيع:

1. تحقق مما إذا كان بمقدورك حل المشكلة بنفسك بمساعدة الاقتراحات المقدمة في دليل التغلب على الأعطال.
2. أوقف الجهاز، ثم أعد تشغيله مرة أخرى للتحقق مما إذا كان العطل لا يزال قائماً.

إذا كان العطل لا يزال قائماً بعد القيام بالفحوصات المذكورة أعلاه، فاتصل بأقرب مركز لخدمة ما بعد البيع للحصول على المساعدة اتصل بالرقم المبين في كتيب الضمان أو اتبع التعليمات الموجودة على الموقع الإلكتروني www.whirlpool.eu

- عند الاتصال بخدمة ما بعد البيع، يرجى دوماً تحديد ما يلي:
- وصف مختصر للعطل،
- نوع الجهاز وطرازه بدقة،



يمكن العثور على السياسات والمستندات القياسية ومعلومات المنتج الإضافية من خلال:

- استخدام كود الاستجابة السريعة بجهازك،
- زيارة موقعنا eu.whirlpool.docs
- وكيديل، يمكنك الاتصال بخدمة ما بعد البيع لدينا (راجع رقم التليفون في كتيب الضمان). يرجى عند الاتصال بخدمة ما بعد البيع ذكر الأكواد المذكورة على لوحة تمييز المنتج.