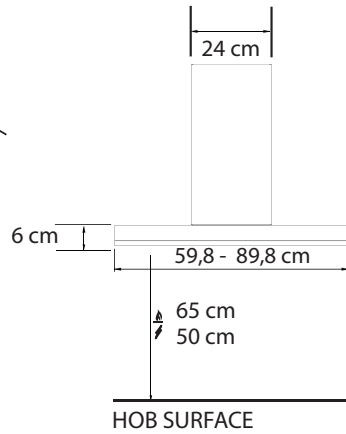
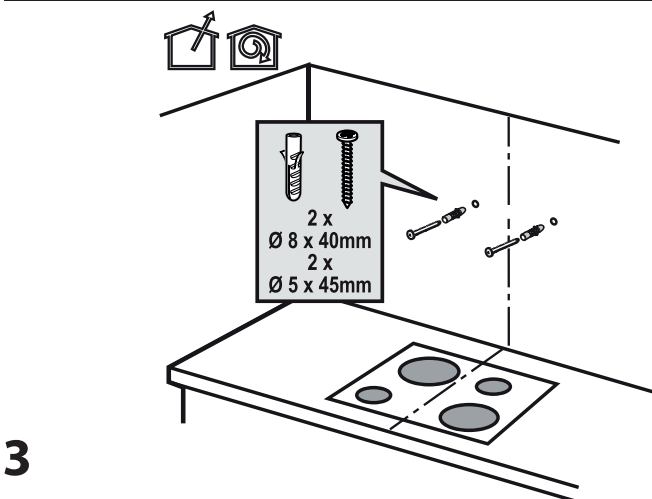
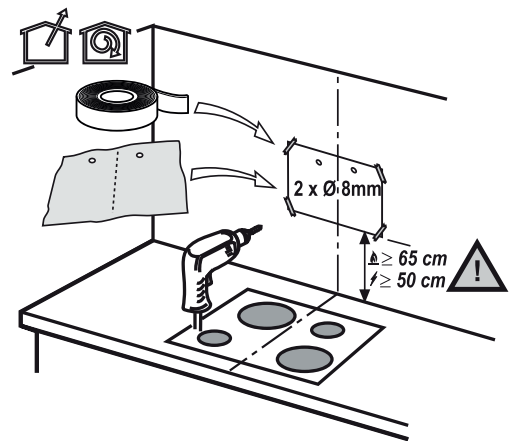


1



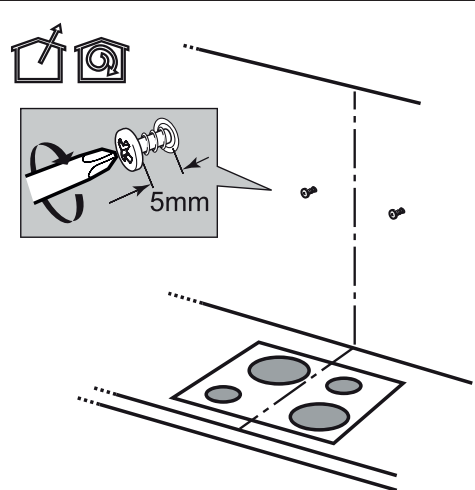
HOB SURFACE

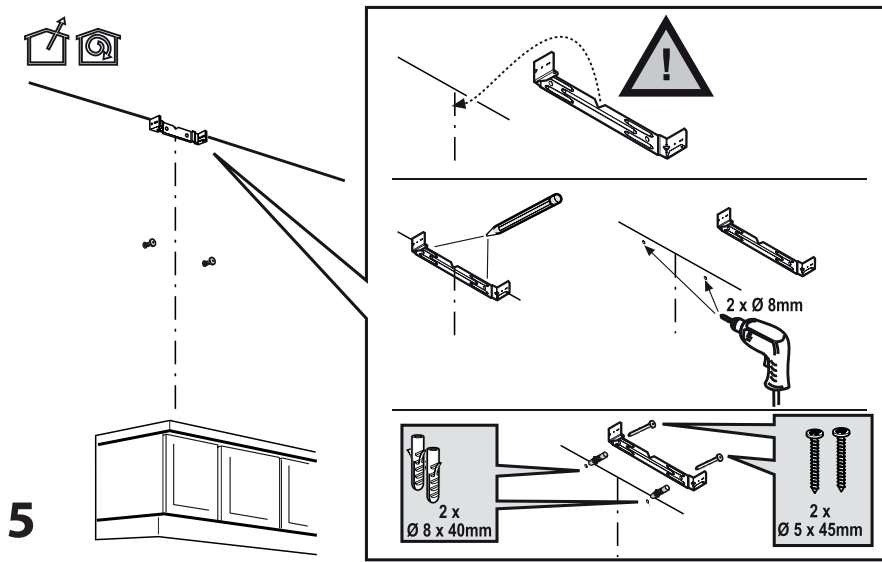
2



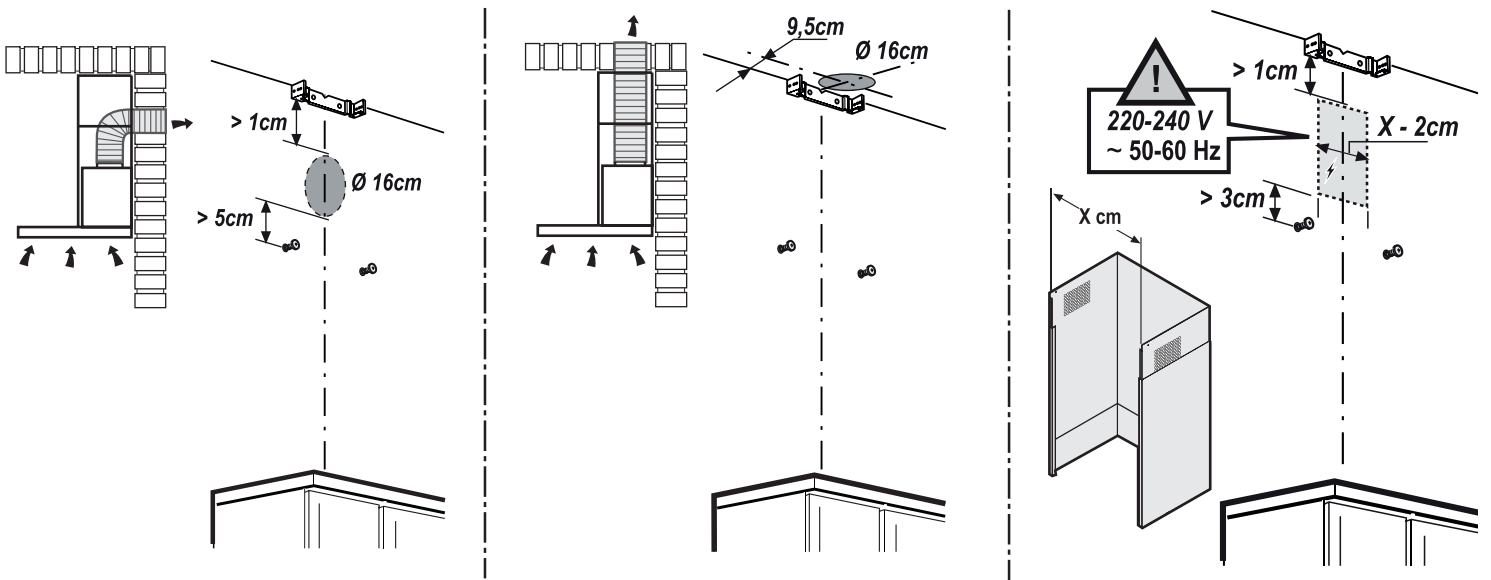
3

4





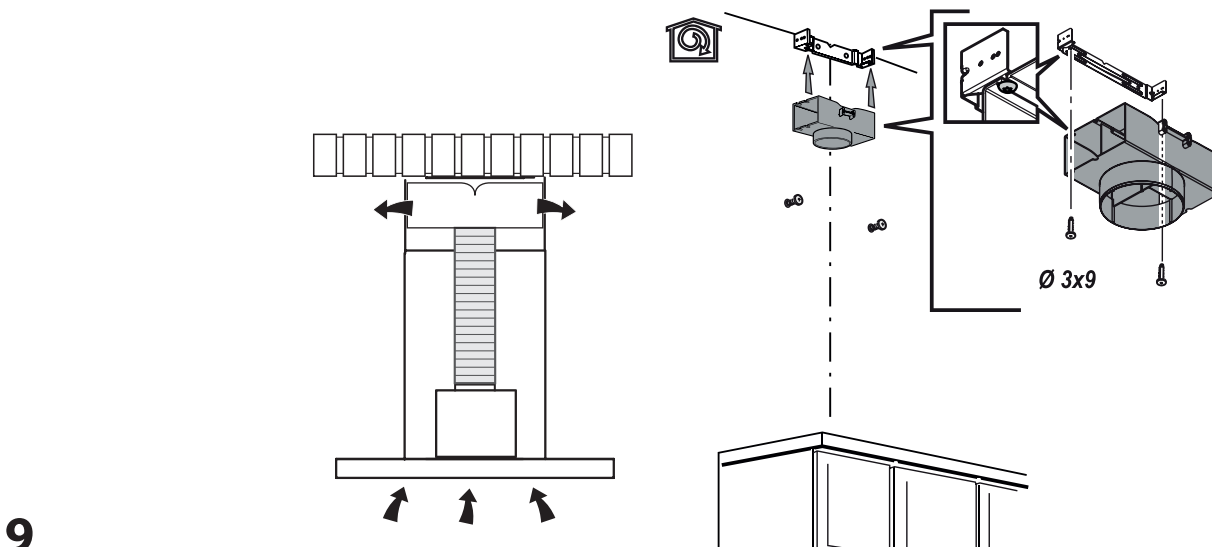
5



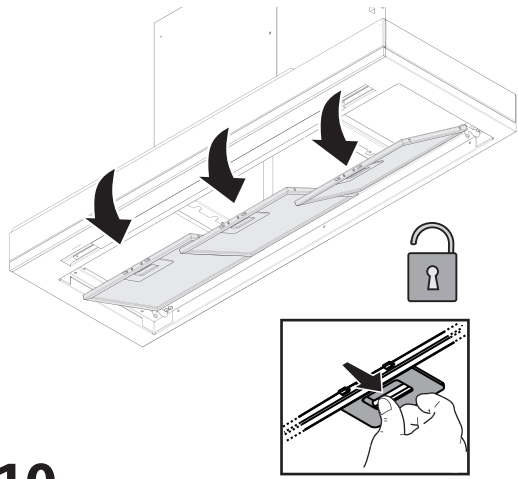
6

7

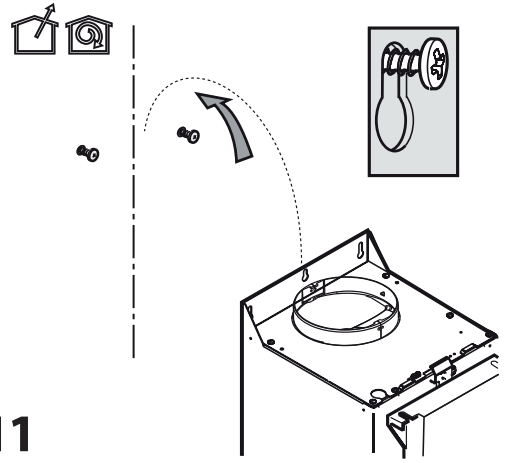
8



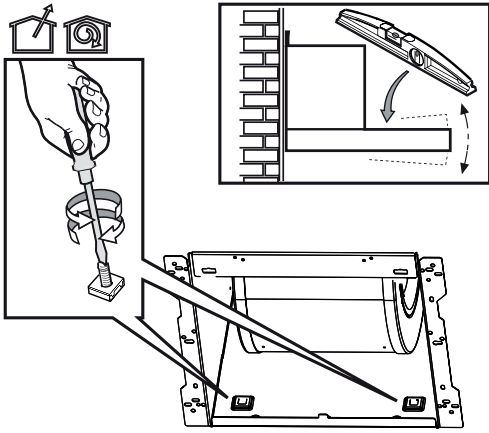
9



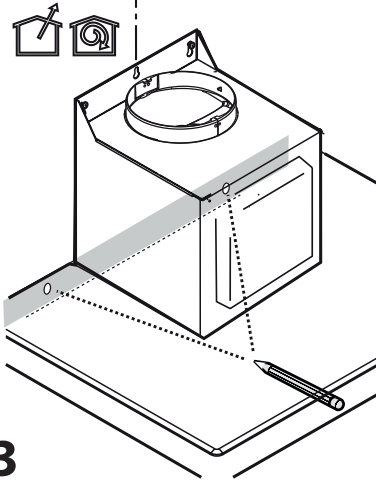
10



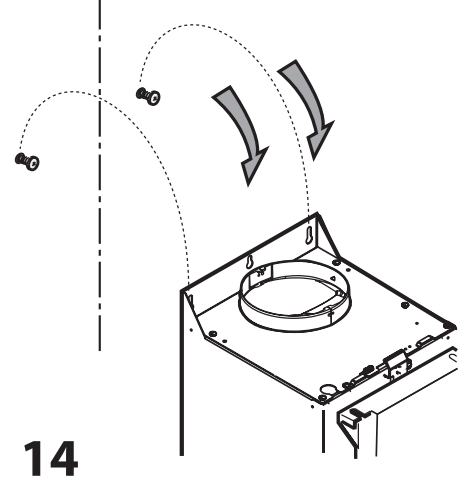
11



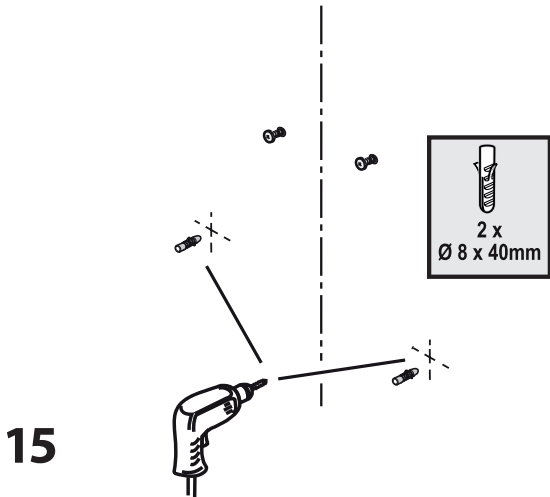
12



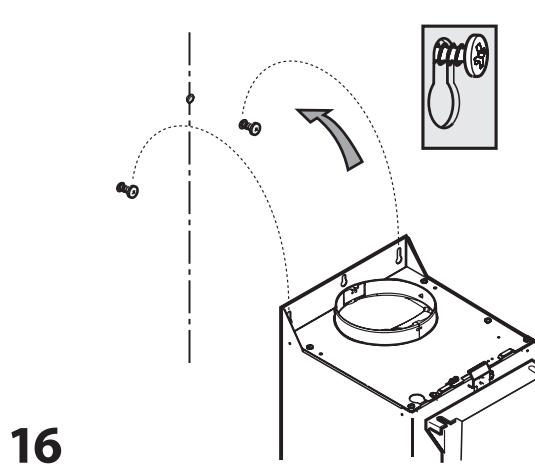
13



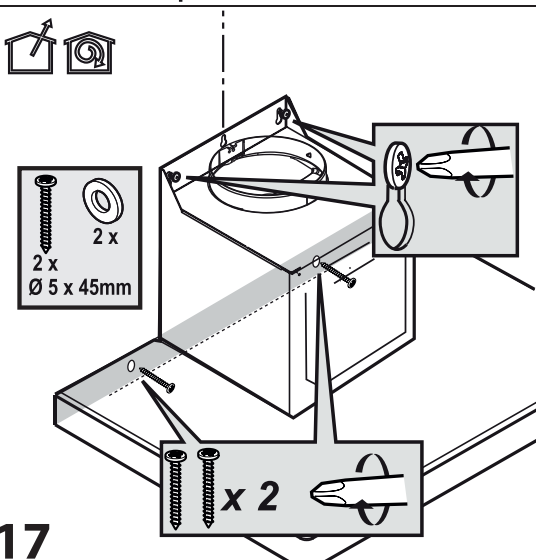
14



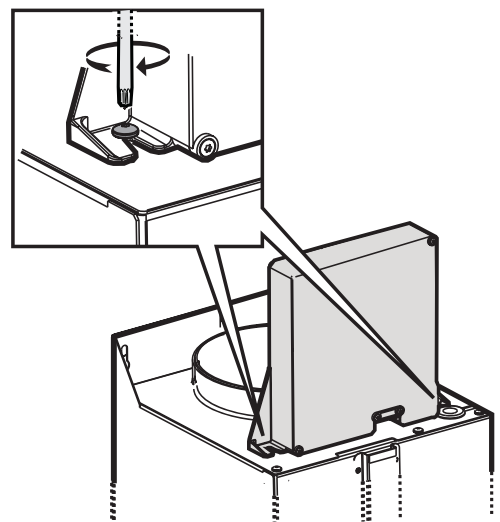
15



16

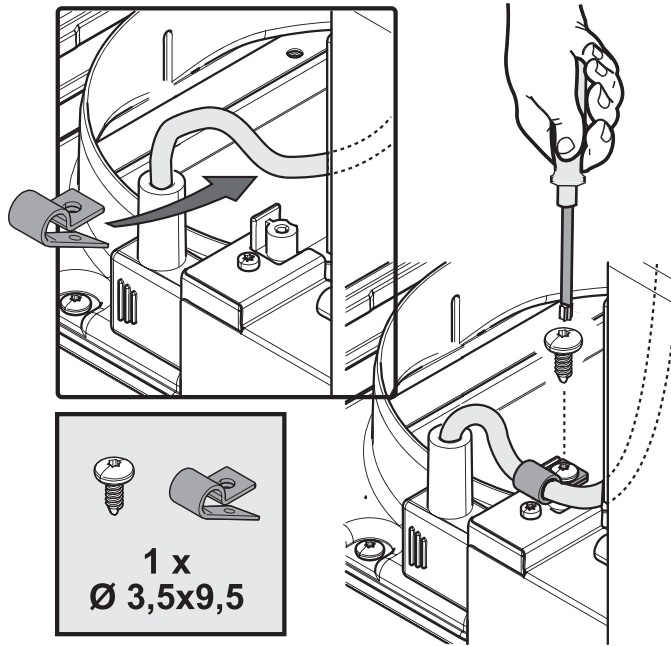
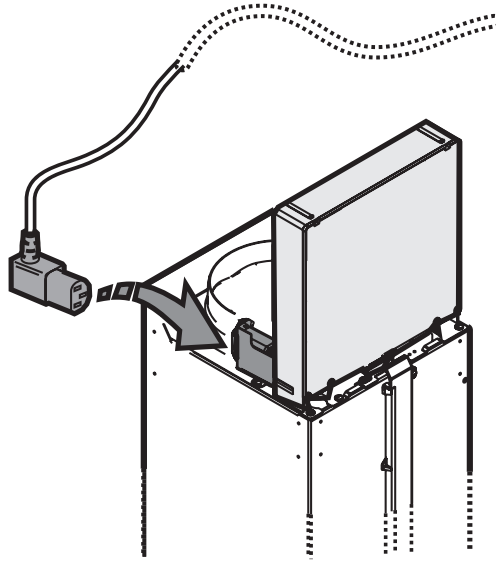


17

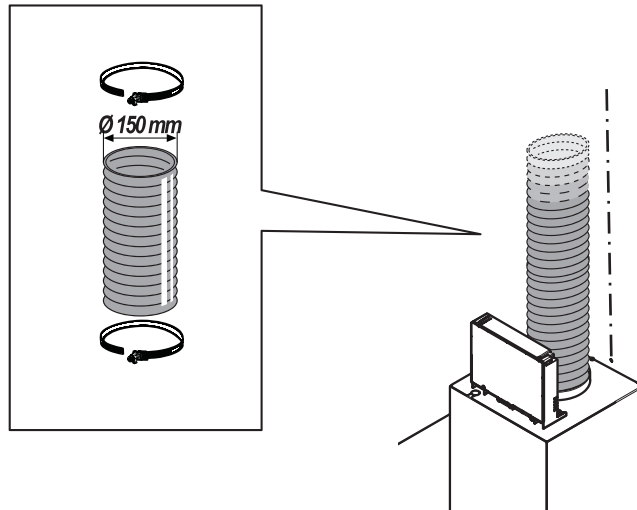


18

19

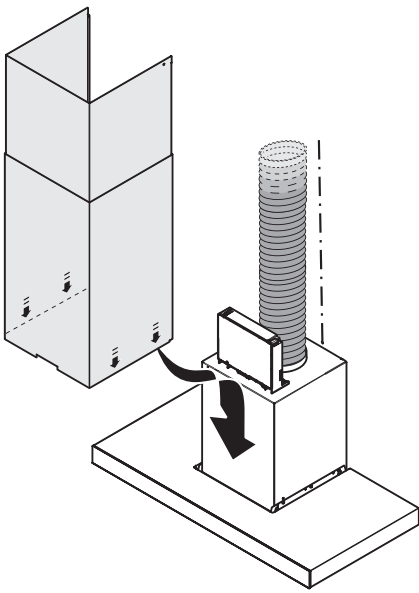


20

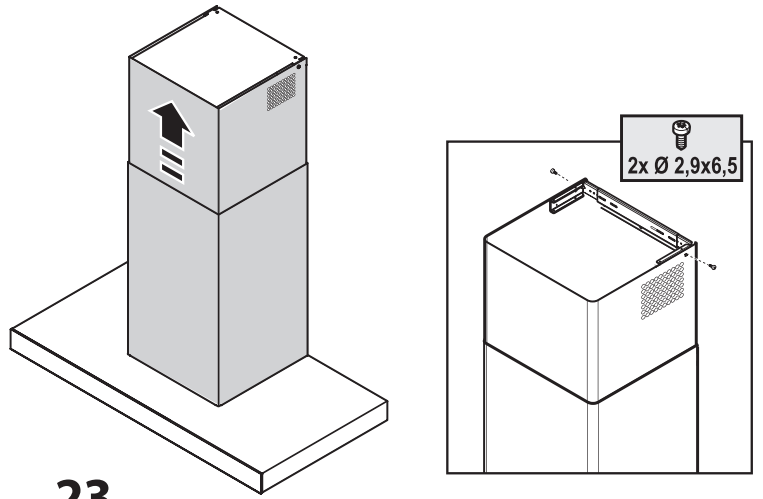


21

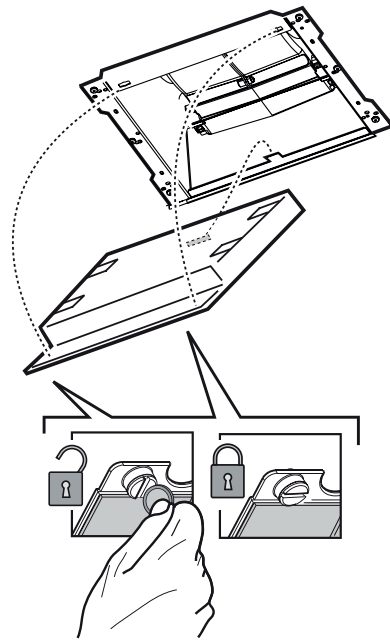
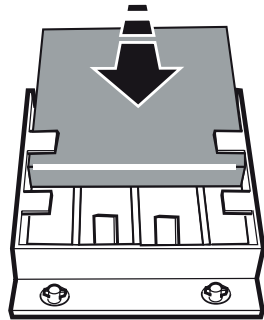
22



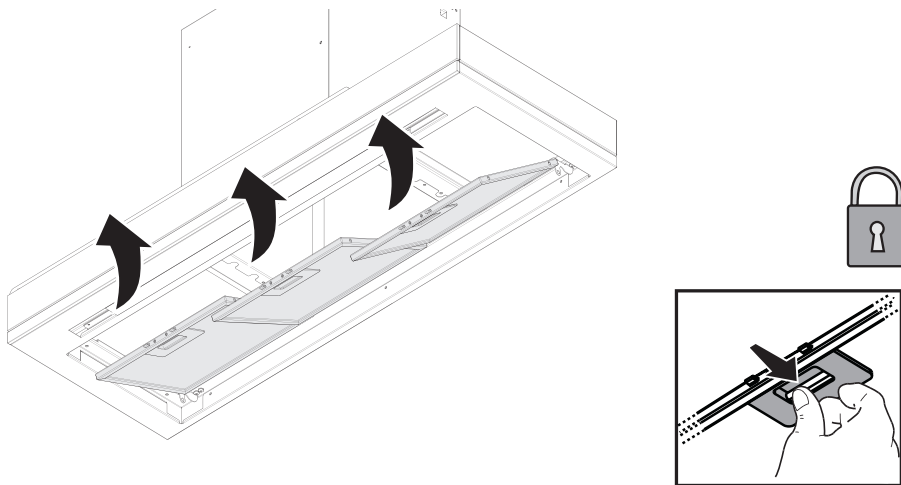
23



24



25



EN	Please note: The parts marked with the symbol “(*)” are optional accessories supplied only with some models, or parts that are not supplied and that must be purchased.
DE	Bitte beachten: Die mit dem Symbol “(*)” markierten Teile sind optionale Zubehörteile, die nur mit einigen Modellen mitgeliefert werden oder Teile, die nicht im Lieferumfang enthalten sind und gekauft werden müssen.
FR	Veillez noter : Les pièces qui affichent le symbole « (*) » sont des accessoires facultatifs disponibles sur certains modèles seulement ou des pièces qui ne sont pas fournies et qui doivent être achetées.
NL	Let op: de onderdelen aangegeven met het symbool “(*)” zijn optionele accessoires die alleen met sommige modellen geleverd worden, of onderdelen die niet geleverd worden en apart gekocht moeten worden.
IT	Nota: I particolari contrassegnati con il simbolo “(*)” sono accessori opzionali forniti solo in alcuni modelli o particolari non forniti da acquistare.
ES	Nota: Las piezas marcadas con el símbolo «(*)» son accesorios opcionales que solo se suministran con algunos modelos o piezas que no están incluidas y se deben comprar aparte.
PT	Lembre-se: As peças marcadas com o símbolo “(*)” são acessórios opcionais fornecidos apenas com alguns modelos, ou peças que não são fornecidas, devendo ser adquiridas em separado.
BG	Моля имайте предвид: Частите, отбелязани със символа “(*)”, са допълнителни принадлежности, доставяни само с някои модели, или части, които не са доставени и трябва да се закупят отделно.
CS	Vezměte prosím na vědomí: Součásti označené symbolem „(*)“ jsou volitelným příslušenstvím dodávaným pouze k některým modelům, popřípadě se jedná o součásti, které nejsou součástí dodávky a které je nutné zakoupit.
DA	Bemærk: De dele, som er afmærket med symbolet “(*)”, er ekstraudstyr, som kun er forudset på visse modeller, eller dele, som ikke medfølger og som skal erhverves separat.
FI	Huomaa: Osat, jotka on merkitty symbolilla “(*)”, ovat lisäosia, jotka toimitetaan ainoastaan tiettyjen mallien kanssa, tai osia, joita ei toimiteta lainkaan, vaan jotka täytyy ostaa.
HU	Megjegyzés: A „(*)” jelzéssel ellátott tartozékok csak bizonyos modellekhez járnak, illetve nincsenek mellékelve, hanem külön vásárolhatók meg.
KK	Назар аударыңыз: “(*)” таңбасымен белгіленген бөліктер қосымша жабдықтар болып табылады, олар тек кейбір үлгілерде ғана ұсынылады немесе олар құрылғымен бірге ұсынылмайды, сондықтан оларды бөлек сатып алу қажет.
NO	Vennligst merk: Delene som er merket med symbolet “(*)” er tilleggsutstyr som kun leveres sammen med noen av modellene, eller deler som ikke medfølger og som må kjøpes.
PL	Uwaga: Części oznaczone symbolem „(*)” są dołączone tylko do niektórych modeli, lub nie są dołączone i należy zakupić je osobno.
RO	Vă rugăm să rețineți: Componentele marcate cu simbolul „(*)” sunt accesorii opționale furnizate doar cu unele modele sau componente care nu sunt furnizate și trebuie cumpărate.
RU	Примечание: Детали, обозначенные символом «(*)», — это дополнительные принадлежности, поставляемые только с некоторыми моделями или с деталями, которые не поставляются и которые необходимо приобрести отдельно.
SK	Upozornenie: Časti označené symbolom „(*)” sú voliteľné príslušenstvo dodávané iba s niektorými modelmi alebo časti, ktoré nie sú dodávané a je potrebné si ich kúpiť.
SV	Observera: Delarna märkta med symbolen “(*)” är valfria tillbehör som bara levereras med vissa modeller eller delar som inte medföljer och som måste köpas separat.
UK	Зверніть увагу: Деталі, позначені символом «(*)», — це додаткове приладдя, що постачається тільки з деякими моделями або з деталями, які не постачаються та які необхідно придбати окремо.

يُرجى ملاحظة: الأجزاء المميزة بعلامة “(*)” هي عبارة عن ملحقات اختيارية لا تُورد إلا مع بعض الموديلات، أو أجزاء لا يتم توريدها ولكن يجب شراؤها.

AR

SAFETY INSTRUCTIONS

IMPORTANT TO BE READ AND OBSERVED

Before using the appliance, read these safety instructions. Keep them nearby for future reference.

These instructions and the appliance itself provide important safety warnings, to be observed at all times. The manufacturer declines any liability for failure to observe these safety instructions, for inappropriate use of the appliance or incorrect setting of controls.

⚠ Very young children (0-3 years) should be kept away from the appliance. Young children (3-8 years) should be kept away from the appliance unless continuously supervised. Children from 8 years old and above and persons with reduced physical, sensory or mental capabilities or lack of experience and knowledge can use this appliance only if they are supervised or have been given instructions on safe use and understand the hazards involved. Children must not play with the appliance. Cleaning and user maintenance must not be carried out by children without supervision.

CAUTION: Accessible parts of the hood may become hot when used with cooking appliances.

Do not flambè cooking under the range hood.

Do not leave frying pans unattended when frying, as the frying oil may catch fire.

Do not use the hood as a support surface unless specifically indicated.

PERMITTED USE

⚠ CAUTION: The appliance is not intended to be operated by means of an external switching device, such as a timer, or separate remote controlled system.

⚠ This appliance is intended to be used in household and similar applications such as: staff kitchen areas in shops, offices and other working environments; farm houses; by clients in hotels, motels, bed & breakfast and other residential environments.

⚠ This appliance is not for professional use. Do not use the appliance outdoors.

INSTALLATION

⚠ The appliance must be handled and installed by two or more persons - risk of injury. Use protective gloves to unpack and install - risk of cuts.

⚠ Installation, including water supply (if any), electrical connections and repairs must be carried out by a qualified technician. Do not repair or replace any part of the appliance unless specifically stated in the user manual. Keep children away from the installation site. After unpacking the appliance, make sure that it has not been damaged during transport. In the event of problems, contact the

dealer or your nearest Aftersales Service. Once installed, packaging waste (plastic, styrofoam parts etc.) must be stored out of reach of children - risk of suffocation. The appliance must be disconnected from the power supply before any installation operation - risk of electric shock. During installation, make sure the appliance does not damage the power cable - risk of fire or electric shock. Only activate the appliance when the installation has been completed.

The premises where the appliance is installed must be sufficiently ventilated when the kitchen hood is used together with other gas combustion devices or other fuels.

The minimum distance between the cooking pan support on top of the cooker and the bottom of the hood must not be less than 50 cm for electric cookers and 65 cm for gas or mixed cookers. Before installation also check the minimum distances stated in the manual of the cooker. If the installation instructions for the cooker specify a greater distance between cooker and hood, this distance must be observed.

Exhaust air must not be vented through a flue used for removal of fumes produced by appliances burning gas or other fuels, but must have a separate outlet. All national regulations governing extraction of fumes must be observed.

ELECTRICAL WARNINGS


⚠ It must be possible to disconnect the appliance from the power supply by unplugging it if plug is accessible, or by a multi-pole switch installed upstream of the socket in accordance with the wiring rules and the appliance must be earthed in conformity with national electrical safety standards.

⚠ Do not use extension leads, multiple sockets or adapters. The electrical components must not be accessible to the user after installation. Do not use the appliance when you are wet or barefoot. Do not operate this appliance if it has a damaged power cable or plug, if it is not working properly, or if it has been damaged or dropped.

⚠ If the supply cord is damaged, it must be replaced with an identical one by the manufacturer, its service agent or similarly qualified persons in order to avoid a hazard - risk of electric shock.


WARNING: Failure to install the screws or fixing device in accordance with these instructions may result in electrical hazards.

Do not use or leave the hood without its lamps correctly installed - risk of electric shock.


Earthing of the appliance is compulsory. (Earthing is not necessary for class II hoods identified by the symbol  on the specifications label).

For lamp replacement, only use the lamp type indicated in the Maintenance / Replacing lamps section of Quick Guide.

If the cable is not fitted with a plug, connect the wires according to the following table:

Mains voltage and frequency	Wire connection
220-240 V 50-60 Hz	 : yellow/green N : blue L : brown


CLEANING AND MAINTENANCE

 **WARNING:** Ensure that the appliance is switched off and disconnected from the power supply before performing any maintenance operation; never use steam cleaning equipment - risk of electric shock.


The hood must be regularly cleaned on both the inside and outside (AT LEAST ONCE A MONTH). This must be completed in accordance with the maintenance instructions provided in this manual.

Failure to observe the instructions for cleaning the hood and replacing the filters may result in a fire.

DISPOSAL OF PACKAGING MATERIALS

The packaging material is 100% recyclable and is marked with the recycle symbol . The various parts of the packaging must therefore be disposed of responsibly and in full compliance with local authority regulations governing waste disposal.

DISPOSAL OF HOUSEHOLD APPLIANCES

This appliance is manufactured with recyclable or reusable materials. Dispose of it in accordance with local waste disposal regulations. For further information on the treatment, recovery and recycling of household electrical appliances, contact your local authority, the collection service for household waste or the store where you purchased the appliance. This appliance is marked in compliance with European Directive 2012/19/EU, Waste Electrical and Electronic Equipment (WEEE). By ensuring this product is disposed of correctly, you will help prevent negative consequences for the environment and human health. The symbol  on the product or on the accompanying documentation indicates that it should not be treated as domestic waste but must be taken to an appropriate collection centre for the recycling of electrical and electronic equipment.

ENERGY SAVING TIPS

Switch ON the hood at minimum speed when you start cooking and keep it running for few minutes after cooking is finished.

Increase the speed only in case of large amount of smoke and vapour and use boost speed(s) only in extreme situations.

Replace the charcoal filter(s) when necessary to maintain a good odour reduction efficiency.

Clean the grease filter(s) when necessary to maintain a good grease filter efficiency.

Use the maximum diameter of the ducting system indicated in this manual to optimize efficiency and minimize noise.

DECLARATION OF CONFORMITY

This appliance meets the Ecodesign requirements of European Regulations:

- n.65/2014 and n. 66/2014 in conformity to the European standard EN 61591 and EN 60704-2-13.;

- n. 327/2011, n.244/2009, n. 245/2009, n.1194/2012, n. 2015/1428.



400011310869