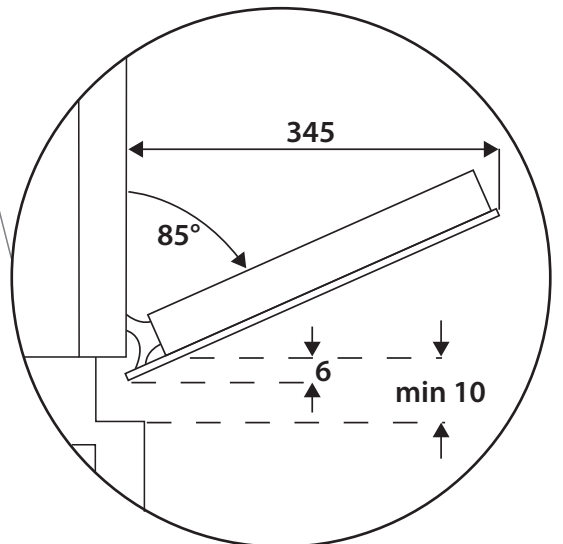
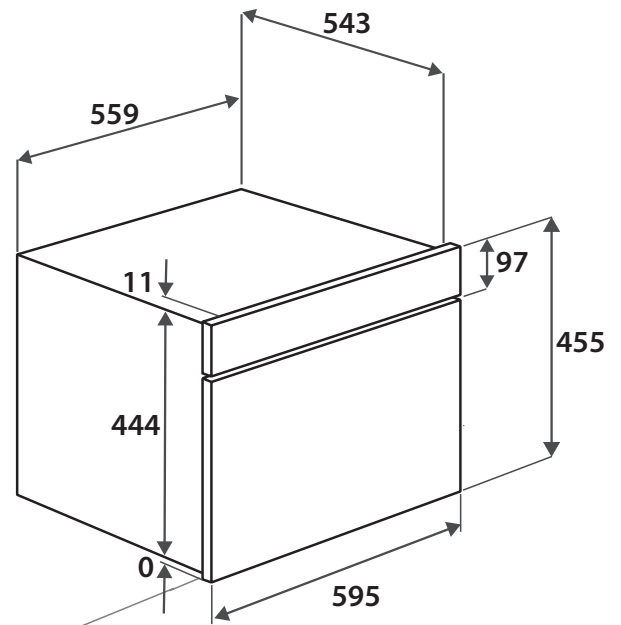
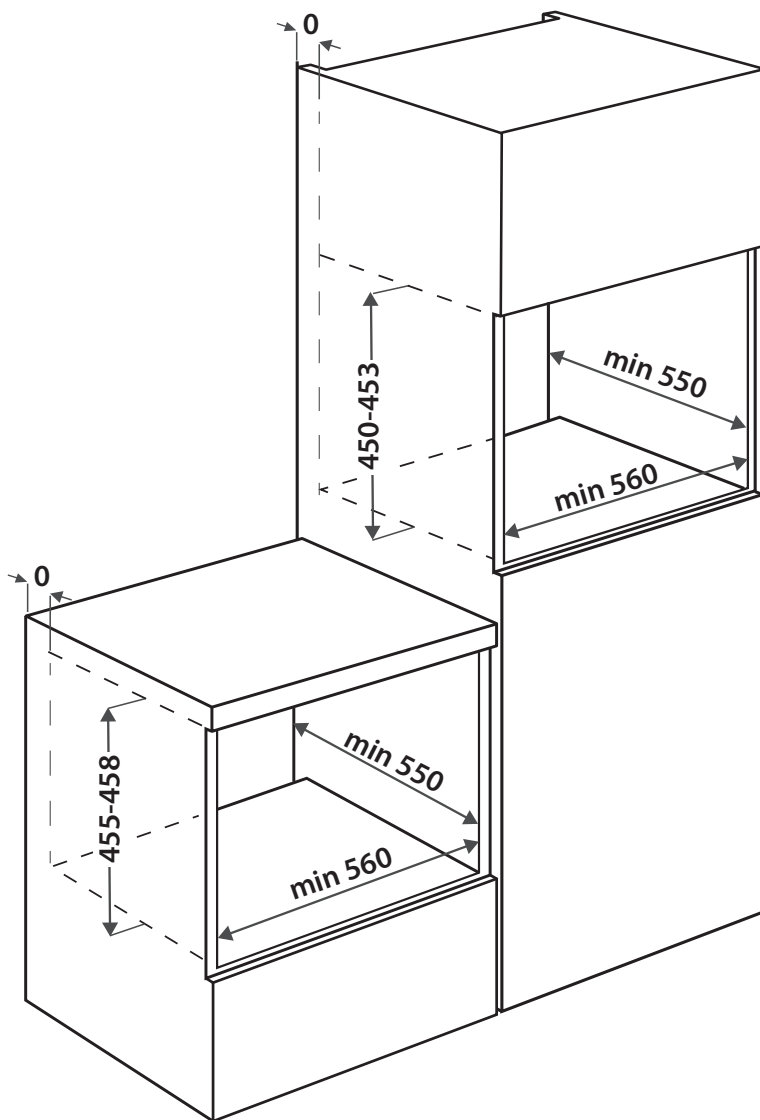
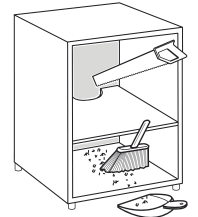
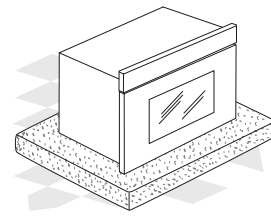
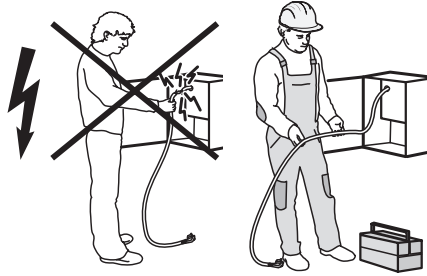
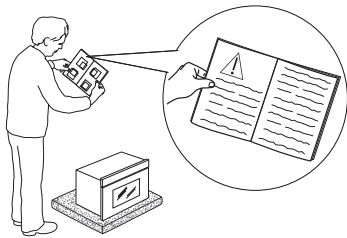
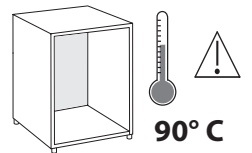
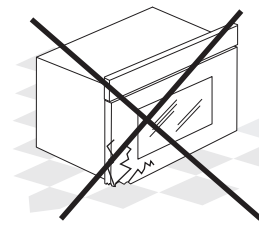
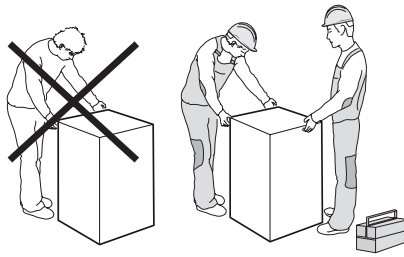
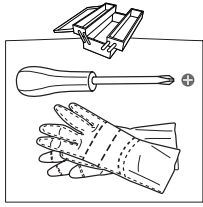
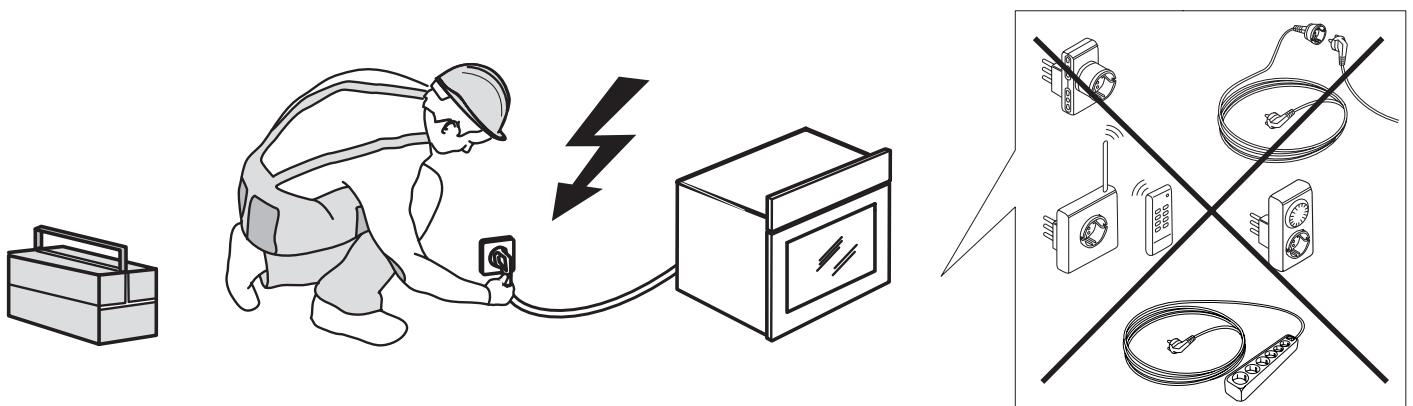
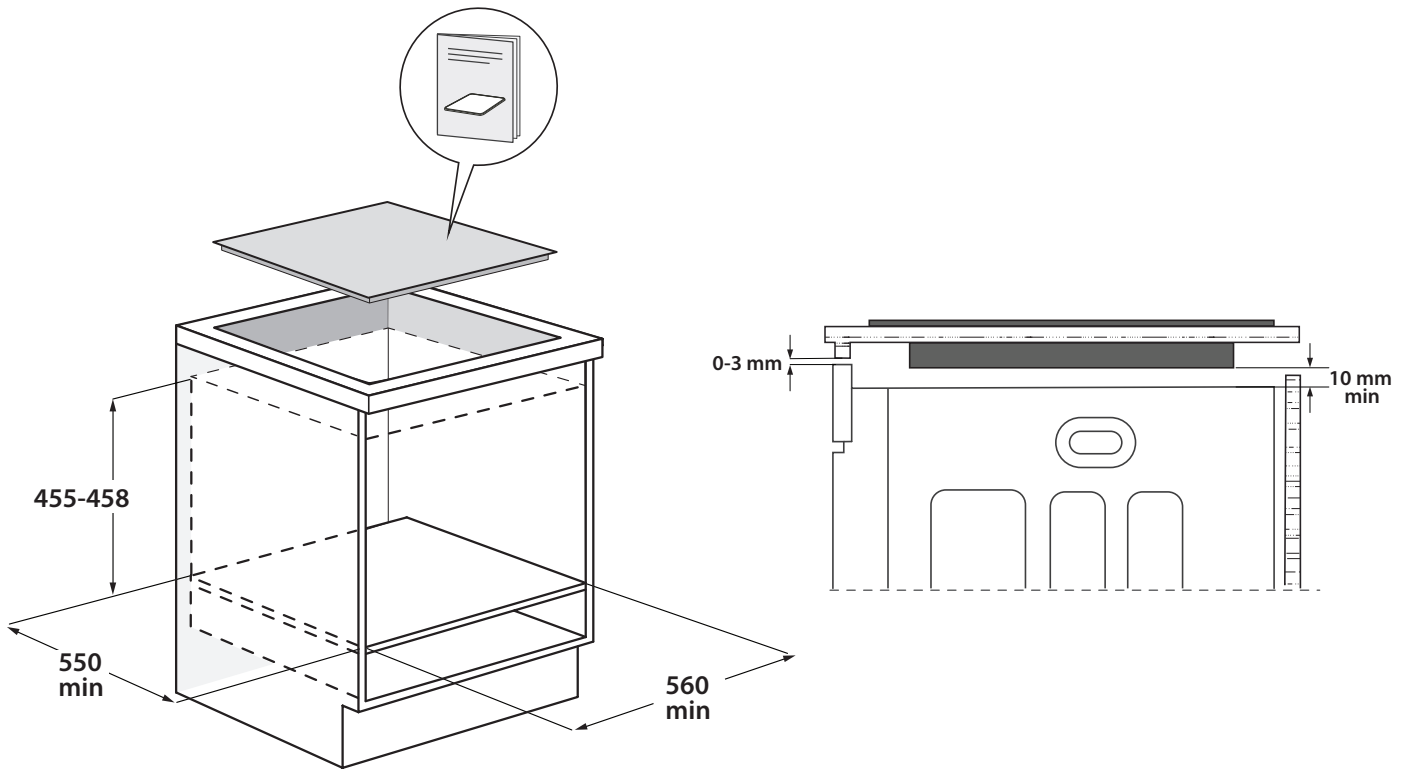
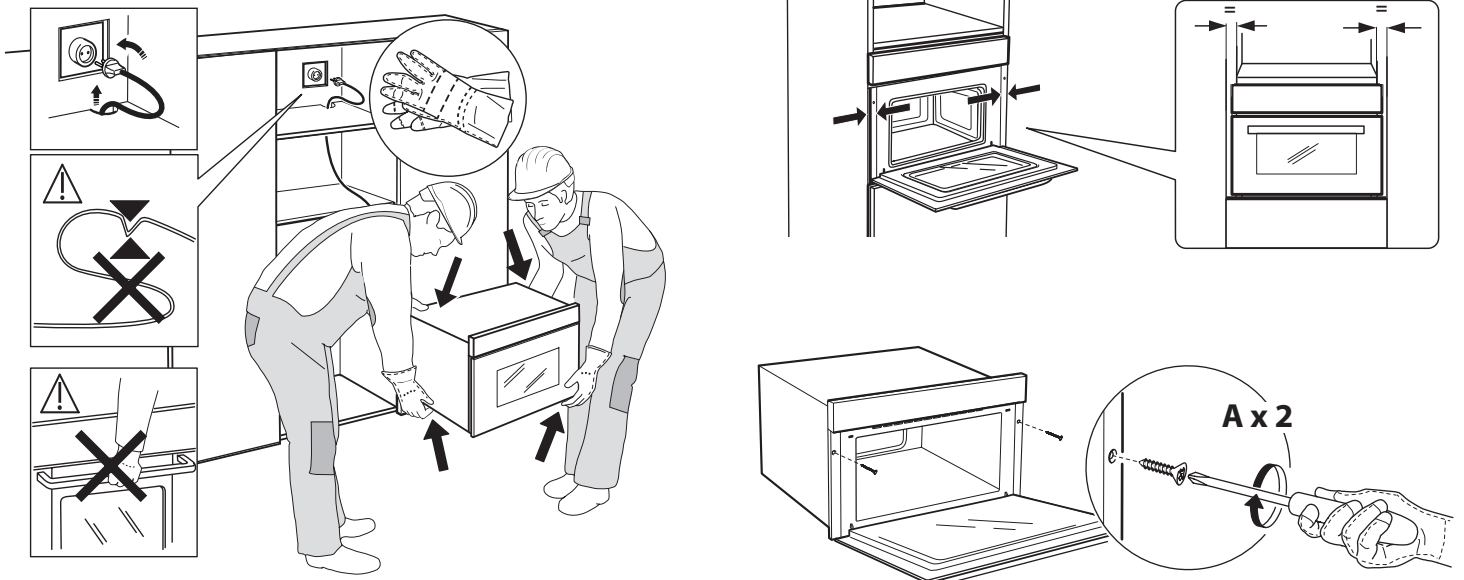


A  x 2





EN SAFETY INSTRUCTIONS

IMPORTANT TO BE READ AND OBSERVED

Before using the appliance, read these safety instructions. Keep them nearby for future reference.

These instructions and the appliance itself provide important safety warnings, to be observed at all times. The manufacturer declines any liability for failure to observe these safety instructions, for inappropriate use of the appliance or incorrect setting of controls.

⚠ Very young children (0-3 years) should be kept away from the appliance. Young children (3-8 years) should be kept away from the appliance unless continuously supervised. Children from 8 years old and above and persons with reduced physical, sensory or mental capabilities or lack of experience and knowledge can use this appliance only if they are supervised or have been given instructions on safe use and understand the hazards involved. Children must not play with the appliance. Cleaning and user maintenance must not be carried out by children without supervision.

⚠ **WARNING:** When the appliance is operated in the combination mode, children should only use the oven under adult supervision due to the temperatures generated.

⚠ **WARNING:** The appliance and its accessible parts become hot during use. Care should be taken to avoid touching heating elements. Children less than 8 years of age must be kept away unless continuously supervised.

⚠ Never leave the appliance unattended during food drying. If the appliance is suitable for probe usage, only use a temperature probe recommended for this oven - risk of fire.

⚠ Keep clothes or other flammable materials away from the appliance, until all the components have cooled down completely - risk of fire.

Always be vigilant when cooking foods rich in fat, oil or when adding alcoholic beverages - risk of fire. Use oven gloves to remove pans and accessories. At the end of cooking, open the door with caution, allowing hot air or steam to escape gradually before accessing the cavity - risk of burns. Do not obstruct hot air vents at the front of the oven - risk of fire.

⚠ Exercise caution when the oven door is in the open or down position, to avoid hitting the door.

⚠ The food must not be left in or on the product for more than one hour before or after cooking.

⚠ **WARNING:** If the door or door seals are damaged, the oven must not be operated until it has been repaired by a competent person - risk of injury.

⚠ **WARNING:** Liquids and foods must not be heated in sealed containers - risk of explosion, heating of beverages can result in delayed eruptive boiling,

care must be taken when handling the container - risk of burn.

⚠ The microwave oven is intended for heating food and beverages. Microwave heating of beverages can result in delayed eruptive boiling, therefore care must be taken when handling the container. Do not dry food or clothing or heat warming pads, slippers, sponges, damp cloth and similar - risk of injury, ignition or fire. When heating food in plastic or paper containers, remains vigilant on the oven - risk of fire.

⚠ After heating baby food or liquids in a baby bottle or a safe microwave cup, always shake, stir and check the temperature before service. This will ensure that the heat is evenly distributed and avoid the risk of scalding or burns.

⚠ The contents of feeding bottles and baby food jars must be stirred or shaken and their temperature checked - risk of burn. Do not heat eggs in their shells and whole hard-boiled eggs, even after microwave heating has ended - risk of explosion.

⚠ Only use utensils that are suitable for microwave cooking. Do not use metallic containers - risk of injury.

⚠ Only use a temperature probe recommended for this oven - risk of fire.

⚠ If smoke is emitted switch off or unplug the appliance and keep the door closed in order to stifle any flames.

⚠ If the appliance is installed 850 mm or more above the floor, take care not to displace the turntable when removing containers - risk of injury.

⚠ Do not use your microwave oven for deep-frying, because the oil temperature can not be controlled.

⚠ Metallic containers for food and beverages are not suitable during microwave cooking unless they are marked with specific symbol for use in microwave oven. The maximum allowed size of container and crisp plate are the same dimension of turntable glass dish. For product without turntable, the maximum allowed diameter of crisp plate is 32 cm. Always ensure that foods and accessories do not come into contact with the inside walls of the cavity, if not otherwise specified.

⚠ Do not remove the microwave inlet protection plates on the side of the cavity walls (certain models only). They prevent grease and food particles from entering the microwave inlet channels.

PERMITTED USE

⚠ **CAUTION:** The appliance is not intended to be operated by means of an external switching device, such as a timer, or separate remote controlled system.

⚠ This appliance is intended to be used in household and similar applications such as: staff kitchen areas in shops, offices and other working environments; farmhouses; by clients in hotels, motels, bed & breakfast and other residential environments.

⚠ **CAUTION:** This appliance is for cooking purposes only. It shall not be used for other purposes, for example room heating.

⚠ This appliance is not for professional use. Do not use the appliance outdoors.

⚠ **WARNING:** Do not store cooking utensils or food and similar when the microwave is not in use. Do not store combustible products, explosive or flammable substances (e.g. gasoline or aerosol cans) inside the cavity or near the appliance.

⚠ **WARNING:** Ensure that the cavity does not contain any items or utensils that are not suitable for the use with the microwave oven before you operate the appliance.

INSTALLATION

⚠ The appliance must be handled and installed by two or more persons - risk of injury. Use protective gloves to unpack and install - risk of cuts.

⚠ Installation, including water supply (if any), electrical connections and repairs must be carried out by a qualified technician. Do not repair or replace any part of the appliance unless specifically stated in the user manual. Keep children away from the installation site. After unpacking the appliance, make sure that it has not been damaged during transport. In the event of problems, contact the dealer or your nearest After-sales Service. Once installed, packaging waste (plastic, styrofoam parts etc.) must be stored out of reach of children - risk of suffocation. The appliance must be disconnected from the power supply before any installation operation - risk of electrical shock. During installation, make sure the appliance does not damage the power cable - risk of fire or electrical shock. Only activate the appliance when the installation has been completed.

⚠ Carry out all cabinet cutting works before fitting the appliance in the furniture and remove all wood chips and sawdust.

⚠ Do not remove the appliance from its polystyrene foam base until the time of installation.

⚠ After installation, the bottom of the appliance must no longer be accessible - risk of burn.

⚠ Do not install the appliance behind a decorative door - risk of fire.

⚠ If the appliance is installed under the worktop, do not obstruct the minimum gap between the worktop and the upper edge of the oven - risk of burns.

⚠ This appliance is intended to be used built-in. Do not use it freestanding or place into a cabinet.

After unpacking the appliance, make sure that the appliance door closes properly. In the event of problems contact the dealer or your nearest After-sales Service.

The product can be installed only in cabinet at 850 mm above the floor unless otherwise specified in installation technical drawing.

ELECTRICAL WARNINGS

⚠ The rating plate is on the front edge of the oven (visible when the door is open).

⚠ It must be possible to disconnect the appliance from the power supply by unplugging it if plug is accessible, or by a multi-pole switch installed upstream of the socket in accordance with the wiring rules and the appliance must be earthed in conformity with national electrical safety standards.

⚠ Do not use extension leads, multiple sockets or adapters. The electrical components must not be accessible to the user after installation. Do not use the appliance when you are wet or barefoot. Do not operate this appliance if it has a damaged power cable or plug, if it is not working properly, or if it has been damaged or dropped.

⚠ If the supply cord is damaged, it must be replaced with an identical one by the manufacturer, its service agent or similarly qualified persons in order to avoid a hazard - risk of electrical shock.

⚠ If the supply cord needs to be replaced, contact an authorised service center.

⚠ Do not immerse the supply cord or mains plug in water. Keep the cable away from hot surfaces - risk of electric shock or fire hazard.

CLEANING AND MAINTENANCE

⚠ **WARNING:** It is hazardous for anyone other than a competent person to carry out any service or repair operation that involves the removal of a cover which give protection against exposure to microwave energy.

⚠ Failure to maintain the oven in a clean condition could lead to deterioration of the surface that could adversely affect the life of the appliance and possibly result in a hazardous situation.

⚠ The oven must be cleaned regularly and any food deposits removed.

⚠ **WARNING:** Ensure that the appliance is switched off and disconnected from the power supply before performing any maintenance operation. To avoid risk of personal injury use protective gloves (risk of laceration) and safety shoes (risk of contusion); be sure to handle by two persons (reduce load); never use steam cleaning equipment (risk of electric shock). Non-professional repairs not authorised by the manufacturer could result in a risk to health and safety, for which the manufacturer cannot be held liable. Any defect or damage caused from non-professional repairs or maintenance will not be covered by the guarantee, the terms of which are outlined in the document delivered with the unit.

⚠ Regularly clean the inside of the appliance door and the gasket (without removing it) using a soft sponge, warm water and mild detergent. Dry using soft cloth. Do not use metal scrapers.

⚠ Do not use harsh abrasive cleaners or metal scrapers to clean the door glass since they can scratch the surface, which may result in shattering of the glass.

- ⚠ Make sure the appliance has cooled down before cleaning or performing maintenance - risk of burns.
- ⚠ Use non-metallic tools and non-abrasive detergents on accessories, otherwise the surfaces may be scratched or damaged.
- ⚠ Change the crisp plate if the coating appears damaged after long-term use (for example scratches, bubbles, delamination, colour change, deformation).
- ⚠ Change the accessory if cracks, signs of melting, or changes in colour are present.

DISPOSAL OF PACKAGING MATERIALS

The packaging material is 100% recyclable and is marked with the recycle symbol ♻. The various parts of the packaging must therefore be disposed of responsibly and in full compliance with local authority regulations governing waste disposal.

DISPOSAL OF HOUSEHOLD APPLIANCES

This appliance is manufactured with recyclable or reusable materials. Dispose of it in accordance with local waste disposal regulations. For further information on the treatment, recovery and recycling of household electrical appliances, contact your local authority, the collection service for household waste or the store where you purchased the appliance. This appliance is marked in compliance with European Directive 2012/19/EU, Waste Electrical and Electronic Equipment (WEEE) and with the Waste Electrical and Electronic Equipment regulations 2013 (as amended). By ensuring this product is disposed of correctly, you will help prevent negative consequences for the environment and human health. The ♻ symbol on the product or on the accompanying documentation indicates that it should not be treated as domestic waste but must be taken to an appropriate collection center for the recycling of electrical and electronic equipment.

DECLARATIONS OF CONFORMITY

This appliance is in compliance with the European standard EN 60705. The information related to low power mode of the appliance in accordance with Regulation (EU) 2023/826 can be found in the following link: <https://docs.emeaappliance-docs.eu/>

This product can contain light source(s) of Energy Efficiency Class G or F.

* The Manufacturer, Beko Europe Management S.r.l., declares that this model of household appliance with radio equipment is compliant with directive 2014/53/UE and Radio Equipment Regulations 2017.

* The complete text of the declaration of conformity is present at the following website: <https://docs.emeaappliance-docs.eu>

* The radio equipment operated in the 2.4 GHz ISM frequency band, the maximum radio-frequency power transmitted does not exceed 20 dBm (e.i.r.p.).

* This product collects and transmits usage data when connected to the internet (e.g. temperature setting, usage duration, error code). In accordance with EU Data Act (Regulation EU 2023/2854), you have the right to access and manage this data. For detail on what data is collected, how it is used, and how to access it please visit: www.homewhiz.com/eu-data-act-policy

* applicable only for products with Wi-Fi features



FR CONSIGNES DE SÉCURITÉ

IL EST IMPORTANT DE LIRE ET OBSERVER

Avant d'utiliser l'appareil, il convient de lire attentivement les consignes de sécurité. Conservez-les à portée pour consultation ultérieure.

Ces instructions et l'appareil lui-même fournissent d'importantes consignes de sécurité qui doivent être respectées à tout moment. Le fabricant décline

toute responsabilité en cas de non-respect des présentes consignes de sécurité, pour une utilisation inadaptée de l'appareil un ou réglage incorrect des commandes.

⚠ Les enfants en bas âge (0-3 ans) doivent être tenus à l'écart de l'appareil. Les jeunes enfants (3-8 ans) doivent rester éloignés de l'appareil sauf s'ils sont surveillés en continu. Les enfants à partir de 8 ans et les personnes présentant des capacités physiques, sensorielles ou mentales réduites ou un manque d'expérience et de connaissances peuvent utiliser cet appareil uniquement s'ils sont surveillés ou ont reçu des instructions sur l'utilisation en toute sécurité et s'ils comprennent les risques impliqués. Les enfants ne doivent pas jouer avec l'appareil. Le nettoyage et l'entretien par l'utilisateur ne doivent pas être réalisés par des enfants sans surveillance.

⚠ AVERTISSEMENT : Si le four peut fonctionner en mode combiné, les enfants ne doivent l'utiliser que sous la surveillance d'un adulte en raison des hautes températures engendrées.

⚠ AVERTISSEMENT : L'appareil et ses pièces accessibles deviennent chauds pendant l'utilisation. Veillez à ne pas toucher les éléments chauffants. Les enfants de moins de 8 ans doivent rester éloignés sauf s'ils sont surveillés en continu.

⚠ Ne laissez jamais l'appareil sans surveillance pendant le séchage des aliments. Si une sonde peut être utilisée avec l'appareil, utilisez uniquement la sonde de température recommandée pour ce four - un incendie pourrait se déclarer.

⚠ Gardez les vêtements et autres matières inflammables loin de l'appareil jusqu'à ce que toutes les composantes soient complètement refroidies - un incendie pourrait se déclarer.

Faites toujours attention lors de la cuisson d'aliments riches en graisses, en huile ou lors de l'ajout de boissons alcoolisées - risque d'incendie. Utilisez des gants pour retirer les plats et les accessoires. À la fin de la cuisson, ouvrez la porte avec précaution, en laissant l'air chaud ou la vapeur s'échapper progressivement avant d'accéder à la cavité - risque de brûlures. Évitez d'obstruer les événements d'air chaud à l'avant du four - un incendie pourrait se déclarer.

⚠ Prenez garde de ne pas entrer en collision avec la porte du four lorsque qu'elle est ouverte ou en position abaissée.

⚠ Les aliments ne doivent pas être laissés dans ou sur le produit pendant plus d'une heure avant ou après la cuisson.

⚠ AVERTISSEMENT : Si la porte ou le joint de la porte est endommagé(e), n'utilisez plus le four et faites-le réparer par un technicien spécialisé - risque de blessure.

⚠ AVERTISSEMENT : Les liquides et les aliments ne doivent pas être réchauffés dans des récipients hermétiques - ils pourraient exploser. Réchauffer des breuvages pourrait causer une ébullition à

retardement, soyez prudent lorsque vous manipulez les récipients – vous pourriez vous brûler.

⚠ Le four à micro-ondes est conçu pour réchauffer la nourriture et les breuvages. Réchauffer des breuvages dans le four à micro-ondes peut causer une soudaine ébullition, soyez donc prudent lorsque vous manipulez le récipient. Ne séchez pas d'aliments ou de vêtements, et ne réchauffez pas de coussins chauffants, de chaussons, d'éponges, ou autres articles similaires – vous pourriez vous blesser ou un incendie pourrait se déclarer. Lorsque vous réchauffez des aliments dans des contenants en plastique ou en papier, ne laissez pas le four sans surveillance – un incendie pourrait se déclarer.

⚠ Après avoir réchauffé des aliments ou liquides pour bébé dans un biberon ou un petit pot prévu pour le micro-ondes, remuez toujours, agitez et vérifiez la température avant de servir. Vous assurez ainsi une bonne répartition de la chaleur et évitez les risques de brûlure ou d'ébouillantage.

⚠ Le contenu des biberons et des pots pour bébé doit être remué ou agité et sa température contrôlée - risque de brûlure. Ne chauffez pas les œufs dans leur coquille et les œufs durs entiers, même après que le chauffage au micro-ondes s'est arrêté - risque d'explosion.

⚠ Utilisez uniquement des ustensiles adaptés pour la cuisson au four à micro-ondes. N'utilisez pas de récipients métalliques – vous pourriez vous blesser.

⚠ Utilisez uniquement une sonde de température recommandés pour ce four – un incendie pourrait se déclarer.

⚠ Si vous apercevez de la fumée, éteignez ou débranchez l'appareil et laissez la porte fermée afin d'étouffer des flammes éventuelles.

⚠ Si l'appareil est installé à 850 mm ou plus au-dessus du sol, veillez à ne pas déplacer la table rotative lorsque vous enlevez les récipients - risque de blessure.

⚠ N'utilisez pas le four à micro-ondes pour la friture ; la température de l'huile ne peut pas être contrôlée.

⚠ Les récipients métalliques destinés à contenir des aliments et des boissons ne conviennent pas à la cuisson au four à micro-ondes, à moins qu'ils ne portent un symbole spécifique pour l'utilisation dans un four à micro-ondes. Les dimensions maximales autorisées pour le récipient et le plat crisp sont les mêmes que celles du plat en verre de la table tournante. Pour les produits sans plateau tournant, le diamètre maximum autorisé du plat crisp est de 32 cm. Toujours s'assurer que les aliments et les accessoires ne touchent pas aux parois internes du four, sauf spécification différente.

⚠ Ne démontez pas les plaques de protection contre les micro-ondes situées sur les flancs de la cavité du four (certains modèles uniquement). Elles empêchent la graisse et les particules alimentaires

de pénétrer dans les canaux d'entrée du micro-ondes.

UTILISATION AUTORISÉE

⚠ MISE EN GARDE : L'appareil n'est pas destiné à être actionné par le biais d'un dispositif de commutation externe, comme une minuterie, ou un système de télécommande séparé.

⚠ Cet appareil est destiné à un usage domestique et peut aussi être utilisé dans les endroits suivants : cuisines pour le personnel dans les magasins, bureaux et autres environnements de travail ; fermes ; par les clients dans les hôtels, motels, et autres résidences similaires.

⚠ MISE EN GARDE : Cet appareil est uniquement destiné uniquement à la cuisson. Il ne doit pas être utilisé à d'autres fins, par exemple pour le chauffage d'une pièce.

⚠ Cet appareil n'est pas conçu pour une utilisation professionnelle. N'utilisez pas l'appareil en extérieur.

⚠ AVERTISSEMENT : Ne rangez pas les ustensiles de cuisine ou les aliments et autres dans le four à micro-ondes lorsqu'il n'est pas utilisé. N'entreposez pas de substances explosives ou inflammables (p. ex. essence ou bombe aérosol) à l'intérieur ou près de l'appareil.

⚠ AVERTISSEMENT : Assurez-vous que la cavité ne contient pas d'articles ou d'ustensiles qui ne sont pas adaptés pour l'utilisation avec le four à micro-ondes avant que vous n'utilisiez l'appareil.

INSTALLATION

⚠ Deux personnes minimum sont nécessaires pour déplacer et installer l'appareil - risque de blessure. Utilisez des gants de protection pour le déballage et l'installation de l'appareil - vous risquez de vous couper.

⚠ L'installation, incluant l'alimentation en eau (selon le modèle), et les connexions électriques, ainsi que les réparations, doivent être exécutées par un technicien qualifié. Ne réparez pas ou ne remplacez pas de parties de l'appareil sauf si cela est spécifiquement indiqué dans le manuel de l'utilisateur. Maintenez les enfants éloignés du site d'installation. Après avoir déballé l'appareil, assurez-vous qu'il n'a pas été endommagé pendant le transport. En cas de problèmes, contactez le distributeur ou votre service après-vente le plus proche. Une fois installé, les déchets de l'emballage (plastiques, pièces en polystyrène, etc.) doivent être stockés hors de portée des enfants - risque d'étouffement. L'appareil ne doit pas être branché à l'alimentation électrique lors de l'installation - vous pourriez vous électrocuter. Au moment de l'installation, assurez-vous que le câble d'alimentation n'est pas endommagé par l'appareil - vous pourriez vous électrocuter. Allumez l'appareil uniquement lorsque l'installation est terminée.

⚠ Découpez le contour du meuble avant d'y insérer l'appareil, et enlevez soigneusement les copeaux et la sciure de bois.

⚠ Retirez l'appareil de sa base en mousse de polystyrène uniquement au moment de l'installation.

⚠ Une fois l'installation terminée, l'accès à la partie inférieure de l'appareil doit être impossible - vous pourriez vous brûler.

⚠ Ne pas installer l'appareil derrière une porte décorative - risque d'incendie.

⚠ Si l'appareil est installé sous le plan de travail, n'obstruez pas l'espace minimum entre le plan de travail et le bord supérieur du four - risque de brûlures.

⚠ Cet appareil est conçu pour être encastré. Ne l'utilisez pas sans support et ne pas l'installer dans un meuble.

Après avoir déballé l'appareil, assurez-vous que la porte ferme parfaitement. en cas de problème, contactez votre revendeur ou le Service Après-Vente le plus proche.

Le produit peut être installé uniquement dans une armoire à 850 mm au-dessus du sol sauf indication différente sur le schéma technique d'installation.

AVERTISSEMENTS ÉLECTRIQUES

⚠ La plaque signalétique se trouve sur le rebord avant du four (visible lorsque la porte est ouverte).

⚠ Il doit être possible de débrancher l'appareil de l'alimentation électrique en retirant la fiche de la prise de courant si elle est accessible, ou à l'aide d'un interrupteur multipolaire en amont de la prise de courant, conformément aux règles de câblage et l'appareil doit être mis à la terre conformément aux normes de sécurité électrique nationales.

⚠ N'utilisez de câbles de rallonge, de prises multiples ou d'adaptateurs. Les composants électriques ne doivent pas être accessibles à l'utilisateur après l'installation. N'utilisez pas l'appareil lorsque vous êtes mouillés ou pieds nus. Ne faites pas fonctionner cet appareil s'il présente un câble ou une prise électrique endommagés, s'il ne fonctionne pas correctement ou s'il a été endommagé ou s'il est tombé.

⚠ Si le câble d'alimentation est endommagé, il doit être remplacé par un câble identique provenant du fabricant, d'un représentant du Service Après-vente, ou par toute autre personne qualifiée - vous pourriez vous électrocuter.

⚠ Si le câble électrique doit être remplacé, contactez un centre de maintenance agréé.

⚠ Ne plongez jamais le câble d'alimentation ou la prise dans l'eau. Maintenez le câble à l'écart des surfaces chaudes - risque d'électrocution ou d'incendie.

NETTOYAGE ET ENTRETIEN

⚠ **AVERTISSEMENT** : Il est dangereux pour

quiconque autre qu'un technicien spécialisé d'assurer l'entretien ou d'effectuer des réparations impliquant le démontage des panneaux de protection contre l'exposition à l'énergie des micro-ondes.

⚠ Si le four n'est pas maintenue en bonne condition et propre, la surface pourrait se détériorer et ainsi réduire la durée de vie de l'appareil et pourrait aussi provoquer une situation dangereuse.

⚠ Le four doit être nettoyé régulièrement et les dépôts de nourritures enlevés.

⚠ **AVERTISSEMENT** : Assurez-vous que l'appareil est éteint et débranché du réseau électrique avant d'effectuer une quelconque opération d'entretien. Pour éviter tout risque de lésion personnelle, utilisez des gants de protection (risque de lacération) et des chaussures de sécurité (risque de contusion) ; assurez-vous de manipuler l'appareil avec deux personnes (pour réduire la charge) ; n'utilisez jamais d'équipement de nettoyage à vapeur (risque de choc électrique). Des réparations non-professionnelles non autorisées par le fabricant pourraient donner lieu à un risque pour la santé et la sécurité, dont le fabricant ne saurait être tenu pour responsable. Tout défaut ou dommage causé par des réparations non-professionnelles ou un entretien ne sera pas couvert par la garantie, dont les termes sont soulignés dans le document fourni avec l'unité.

⚠ Nettoyez régulièrement l'intérieur de la porte de l'appareil et le joint (sans l'enlever) à l'aide d'une éponge douce, d'eau tiède et d'un détergent doux. Séchez à l'aide d'un chiffon doux. N'utilisez pas de racloirs métalliques.

⚠ N'utilisez pas de produits abrasifs ou de grattoirs métalliques tranchants pour nettoyer la vitre de la porte, ils peuvent égratigner la surface et, à la longue, briser le verre.

⚠ Assurez-vous que l'appareil a refroidi avant toute opération de nettoyage ou de maintenance - risque de brûlures.

⚠ Utilisez des outils non métalliques et des détergents non abrasifs pour nettoyer les accessoires, sinon les surfaces risquent d'être rayées ou endommagées.


⚠ Remplacez la plaque de cuisson si le revêtement semble endommagé après une utilisation prolongée (par exemple, rayures, bulles, décollement, changement de couleur, déformation).

⚠ Remplacez l'accessoire si vous constatez des fissures, des traces de fusion ou des changements de couleur.

ÉLIMINATION DES MATÉRIEAUX D'EMBALLAGE

Les matériaux d'emballage sont entièrement recyclables comme l'indique le symbole de recyclage ♻. Les différentes parties de l'emballage doivent donc être jetées de manière responsable et en totale conformité avec les réglementations des autorités locales régissant la mise au rebut des déchets.

MISE AU REBUT DES APPAREILS ÉLECTROMÉNAGERS

Cet appareil est fabriqué à partir de matériaux recyclables ou réutilisables. Mettez-le au rebut en vous conformant aux réglementations locales en matière d'élimination des déchets. Pour toute information supplémentaire sur le traitement et le recyclage des appareils électroménagers, contactez le service local compétent, le service de collecte des déchets ménagers ou le magasin où vous avez acheté l'appareil. Cet appareil est marqué comme étant conforme à la Directive européenne 2012/19/EU, aux réglementations relatives aux Déchets d'équipement électrique et électronique (DEEE) et relatives aux Déchets d'équipement électrique et électronique de 2013 (tels qu'amendés). En vous assurant que l'appareil est mis au rebut correctement, vous pouvez aider à éviter d'éventuelles conséquences négatives sur l'environnement et la santé humaine. Le symbole  sur le produit ou sur la documentation qui l'accompagne indique qu'il ne doit pas être traité comme un déchet domestique, mais doit être remis à un centre de collecte spécialisé pour le recyclage des appareils électriques et électroniques.



DÉCLARATIONS DE CONFORMITÉ

Cet appareil est conforme à la norme européenne EN 60705. Les informations relatives au mode basse consommation de l'appareil conformément au Règlement (UE) 2023/826 sont disponibles en cliquant sur le lien suivant : <https://docs.emeaappliance-docs.eu/> Ce produit peut contenir une ou plusieurs sources lumineuses de classe d'efficacité énergétique G ou F.

* Le Fabricant, Beko Europe Management s.r.l., déclare que ce modèle d'appareil électroménager doté d'un équipement radio est conforme à la directive 2014/53/UE et aux Réglementations de l'équipement radio 2017.

* Le texte complet de la déclaration de conformité est présent sur le site internet suivant : <https://docs.emeaappliance-docs.eu>

* L'équipement radio fonctionne sur la bande de fréquence de 2,4 GHz ISM, la puissance de radiofréquence maximale transmise ne dépasse pas 20 dBm (p.i.r.e).

* Ce produit recueille et transmet des données d'utilisation lorsqu'il est connecté à l'internet (par exemple, réglage de la température, durée d'utilisation, code d'erreur). Conformément à la loi européenne sur les données (règlement UE 2023/2854), vous avez le droit d'accéder à ces données et de les gérer. Pour plus de détails sur les données collectées, la manière dont elles sont utilisées et la façon d'y accéder, veuillez consulter le site : www.homewhiz.com/eu-data-act-policy

* applicable uniquement aux produits dotés de fonctions Wi-Fi

