

## SAFETY INSTRUCTIONS

Download the complete instruction manual <http://docs.whirlpool.eu> or call the phone number shown on the warranty booklet.

⚠ These instructions are valid if the country symbol appears on the appliance. If the symbol doesn't appear on the appliance, it is necessary to refer to the technical instructions which will provide the necessary instructions concerning modification of the appliance to the conditions of use of the country.

⚠ CAUTION: The use of the gas cooking appliance results in the production of heat, moisture and products of combustion in the room in which it is installed. Ensure that the kitchen is well ventilated especially when the appliance is in use: keep natural ventilation holes open or install a mechanical ventilation device (mechanical extractor hood). Prolonged intensive use of the appliance may call for additional ventilation, such as opening a window, or more effective ventilation, for example increasing the level of mechanical ventilation (if possible).

⚠ Failure to follow the information in this manual exactly may cause a fire or explosion, resulting in property damage or personal injury.

Before using the appliance, read these safety instructions. Keep them nearby for future reference.

These instructions and the appliance itself provide important safety warnings, to be observed at all times. The manufacturer declines any liability for failure to observe these safety instructions, for inappropriate use of the appliance or incorrect setting of controls.

⚠ WARNING: If the hob surface is cracked, don't use the appliance – risk of electrical shock.

⚠ WARNING: Danger of fire: Do not store items on the cooking surfaces.

⚠ CAUTION: The cooking process has to be supervised. A short cooking process has to be supervised continuously.

⚠ WARNING: Unattended cooking on a hob with fat or oil can be dangerous – risk of fire. NEVER try to extinguish a fire with water, but switch off the appliance and then cover flame e.g. with a lid or a fire blanket.

⚠ Do not use the hob as a work surface or support. Keep clothes or other flammable materials away from the appliance, until all the components have cooled down completely – risk of fire.

⚠ Very young children (0-3 years) should be kept away from the appliance. Young children (3-8 years) should be kept away from the appliance unless continuously supervised. Children from 8 years old and above and persons with reduced physical, sensory or mental capabilities or lack of experience and knowledge can use this appliance only if they are supervised or have been given instructions on safe use and understand the hazards involved. Children must not play with the appliance. Cleaning and user maintenance must not be carried out by children without supervision.

## IMPORTANT TO BE READ AND OBSERVED

⚠ CAUTION: In case of hotplate glass breakage: shut immediately off all burners and any electrical heating element and isolate the appliance from the power supply; do not touch the appliance surface; do not use the appliance.

The glass lid can break in if it is heated up. Turn off all the burners and the electric plates before closing the lid. Do not shut down lid when burner alight.

⚠ WARNING: The appliance and its accessible parts become hot during use. Care should be taken to avoid touching heating elements. Children less than 8 years of age must be kept away unless continuously supervised.

### PERMITTED USE

⚠ CAUTION: the appliance is not intended to be operated by means of an external switching device, such as a timer, or separate remote controlled system.

⚠ This appliance is intended to be used in household and similar applications such as: staff kitchen areas in shops, offices and other working environments; farm houses; by clients in hotels, motels, bed & breakfast and other residential environments.

⚠ No other use is permitted (e.g. heating rooms).

⚠ This appliance is not for professional use. Do not use the appliance outdoors.

⚠ Use pots and pans with bottoms the same width as that of the burners or slightly larger (see specific table). Make sure pots on the grates do not protrude beyond the edge of the hob.

⚠ Improper use of the grids can result in damage to the hob: do not position the grids upside down or slide them across the hob.

Do not let the burner flame extend beyond the edge of the pan.

If the hob surface is in glass material, do not use the cast iron griddles, ollar stones, terracotta pots and pans.

Do not use: heat diffusers such as metal mesh, or any other types; two burners simultaneously for one receptacle (e.g. Fish kettle).

Should particular local conditions of the delivered gas make the ignition of burner difficult, it is advisable to repeat the operation with the knob turned to small flame setting.

In case of installation of a hood above the cooktop, please refer to the hood instructions for the correct distance.

The protective rubber feet on the grids represent a choking hazard for young children. After removing the grids, please ensure that all the feet are correctly fitted.

### INSTALLATION

⚠ The appliance must be handled and installed by two or more persons - risk of injury. Use protective gloves to unpack and install - risk of cuts.

⚠ The electrical and gas connections must comply with local regulation.

⚠ Installation, including water supply (if any) and electrical connections, and repairs must be carried out by a qualified technician. Do not repair or replace any part of the appliance unless specifically stated in the user manual. Keep children away from the installation site. After unpacking the appliance, make sure that it has not been damaged during transport. In the event of problems, contact the dealer or your nearest After-sales Service. Once installed, packaging waste (plastic,

styrofoam parts etc.) must be stored out of reach of children - risk of suffocation. The appliance must be disconnected from the power supply before any installation operation - risk of electrical shock. During installation, make sure the appliance does not damage the power cable - risk of fire or electrical shock. Only activate the appliance when the installation has been completed.

⚠ **WARNING:** Modification of the appliance and its method of installation are essential in order to use the appliance safely and correctly in all the additional countries.

⚠ Use pressure regulators suitable for the gas pressure indicated in the instruction.

⚠ The room must be equipped with an air extraction system that expels any combustion fumes.

⚠ The room must also allow proper air circulation, as air is needed for combustion to occur normally. The flow of air must not be less than 2 m<sup>3</sup>/h per kW of installed power.

⚠ The air circulation system may take air directly from the outside by means of a pipe with an inner cross section of at least 100 cm<sup>2</sup>; the opening must not be vulnerable to any type of blockages.

⚠ The system can also provide the air needed for combustion indirectly, i.e. from adjacent rooms fitted with air circulation tubes as described above. However, these rooms must not be communal rooms, bedrooms or rooms that may present a fire hazard.

⚠ Liquid petroleum gas sinks to the floor as it is heavier than air. Therefore, rooms containing LPG cylinders must also be equipped with vents to allow gas to escape in the event of a leak. As a result LPG cylinders, whether partially or completely full, must not be installed or stored in rooms or storage areas that are below ground level (cellars, etc.). It is advisable to keep only the cylinder being used in the room, positioned so that it is not subject to heat produced by external sources (ovens, fireplaces, stoves, etc.) which could raise the temperature of the cylinder above 50°C.

Should you experience difficulty in turning the burner knobs, please contact After Sales Service for replacement of the burner tap if found to be faulty. The openings used for the ventilation and dispersion of heat must never be covered.

⚠ Carry out all cabinet cutting works before fitting the appliance in the furniture and remove all wood chips and sawdust.

⚠ If the appliance is not installed above an oven, a separator panel (not included) must be installed in the compartment under the appliance.

### **GAS CONNECTION**

⚠ **WARNING:** Prior to installation, ensure that the local distribution conditions (type of gas and gas pressure) and the adjustment of the appliance are compatible.

⚠ Check that the pressure of the gas supply is consistent with the values indicated in "Burner and nozzle specifications" table.

⚠ **WARNING:** The configuration conditions for this appliance are stated on the label (or data plate).

⚠ **WARNING:** This appliance is not connected to a combustion products evacuation device. It must be installed and connected in accordance with current installation regulations. Particular attention must be paid to the relevant requirements regarding ventilation.

⚠ If the appliances is connected to liquid gas, the regulation screw must be fastened as tightly as possible.

⚠ **IMPORTANT:** When the gas cylinder or gas container is installed, it must be properly settled (vertical orientation).

⚠ **WARNING:** This operation must be performed by a qualified technician.

⚠ Use only flexible or rigid metal hose for gas connection.

⚠ Connection with a rigid pipe (copper or steel) Connection to the gas system must be carried out in such a way as not to place any strain of any kind on the appliance. There is an adjustable L-shaped pipe fitting on the appliance supply ramp and this is fitted with a seal in order to prevent leaks. The seal must always be replaced after rotating the pipe fitting (the seal is provided with the appliance). The gas supply pipe fitting is a threaded 1/2 gas cylindrical male attachment.

⚠ Connecting a flexible jointless stainless steel pipe to a threaded attachment. The gas supply pipe fitting is a threaded 1/2 gas cylindrical male attachment. These pipes must be installed so that they are never longer than 2000 mm when fully extended. Once connection has been carried out, make sure that the flexible metal pipe does not touch any moving parts and is not compressed. Only use pipes and seals that comply with current National regulations.

⚠ **IMPORTANT:** If a stainless steel hose is used, it must be installed so as not to touch any mobile part of the furniture (e.g. drawer). It must pass through an area where there are no obstructions and where it is possible to inspect it on all its length.

⚠ The appliance should be connected to the main gas supply or to gas cylinder in compliance with the current national regulations. Before making the connection, make sure that the appliance is compatible with the gas supply you wish to use. If this is not the case, follow the instructions indicated in the paragraph "Adapting to different types of gas".

⚠ After connection to the gas supply, check for leaks with soapy water. Light up the burners and turn the knobs from max position 1\* to minimum position 2\* to check flame stability.


### **ADAPTING TO DIFFERENT TYPES OF GAS**


(This operation needs to be carried out by a qualified technician).


⚠ In order to adapt the appliance to a type of gas other than the type for which it was manufactured (indicated on the rating label), follow the dedicated steps provided after installation drawings.


---


## ELECTRICAL WARNINGS

 **IMPORTANT:** Information about current and voltage consumption is provided on the rating plate.


 It must be possible to disconnect the appliance from the power supply by unplugging it if plug is accessible, or by a multi-pole switch installed upstream of the socket in accordance with the wiring rules and the appliance must be earthed in conformity with national electrical safety standards.


 The power cable must be long enough to connect the appliance, once fitted in its housing, to the main power supply. Do not pull the power supply cable.


 Do not use extension leads, multiple sockets or adapters. The electrical components must not be accessible to the user after installation. Do not use the appliance when you are wet or barefoot. Do not operate this appliance if it has a damaged power cable or plug, if it is not working properly, or if it has been damaged or dropped.

 If the supply cord is damaged, it must be replaced with an identical one by the manufacturer, its service agent or similarly qualified persons in order to avoid a hazard - risk of electrical shock.


## CLEANING AND MAINTENANCE

 **WARNING:** Ensure that the appliance is switched off and disconnected from the power supply before performing any maintenance operation; never use steam cleaning equipment - risk of electric shock.

 Do not use abrasive or corrosive products, chlorine-based cleaners or pan scourers.

 To avoid damaging the electric ignition device, do not use it when the burners are not in their housing.

## DISPOSAL OF PACKAGING MATERIALS


The packaging material is 100% recyclable and is marked with the recycle symbol .

The various parts of the packaging must therefore be disposed of responsibly and in full compliance with local authority regulations governing waste disposal.

## DISPOSAL OF HOUSEHOLD APPLIANCES

This appliance is manufactured with recyclable or reusable materials. Dispose of it in accordance with local waste disposal regulations. For further information on the treatment, recovery and recycling of household electrical appliances, contact your local authority, the collection service for household waste or the store where you purchased the appliance. This appliance is marked in compliance with European Directive 2012/19/EU, Waste Electrical and Electronic Equipment (WEEE) and with the Waste Electrical and Electronic Equipment regulations 2013 (as amended).

By ensuring this product is disposed of correctly, you will help prevent negative consequences for the environment and human health.

The symbol  on the product or on the accompanying documentation indicates that it should not be treated as domestic waste but must be taken to an appropriate collection center for the recycling of electrical and electronic equipment.

## ENERGY SAVING TIPS

Use pots and pans with bottom width equal to that of the cooking zone.

Only use flat-bottomed pots and pans.

When possible, keep pot lids on during cooking.

Use a pressure cooker to save even more energy and time.

## DECLARATION OF CONFORMITY

This appliance meets Ecodesign requirements of European Regulation 66/2014 and The Ecodesign for Energy-Related Products and Energy Information (Amendment) (EU Exit) Regulations 2019 in compliance with the European standard EN 30-2-1.

---

**BURNER AND NOZZLE SPECIFICATIONS**
**CATEGORY II2H3+**

Type of gas used	Type of burner	Injector marking	Rated thermal flow rate kW	Rated consumption	Reduced heat capacity kW	Gas pressure mbar		
						min.	rat.	max.
NATURAL GAS (Methane) <b>G20</b>	Semi-rapid (SR)	97	1,75	167 l/h	0,40	17	20	25
	Auxiliary (AUX)	78 A	1,00	95 l/h	0,40			
	2 Ring (DC)	140 H3	3,50	333 l/h	2,20			
LIQUEFIED PETROLEUM GAS (Butane) <b>G30</b>	Semi-rapid (SR)	67	1,75	127 g/h	0,40	20	28-30	35
	Auxiliary (AUX)	50	1,00	73 g/h	0,40			
	2 Ring (DC)	94	3,50	254 g/h	2,20			
LIQUEFIED PETROLEUM GAS (Propane) <b>G31</b>	Semi-rapid (SR)	67	1,75	125 g/h	0,40	25	37	45
	Auxiliary (AUX)	50	1,00	71 g/h	0,40			
	2 Ring (DC)	94	3,50	250 g/h	2,20			

Type of gas used	Model configuration 4 BURNERS	Rated thermal flowrate (kW)	Total rated consumption	Air required (m <sup>3</sup> ) for burning 1m <sup>3</sup> of gas
<b>G20</b> 20 mbar	2SR - 1AUX - 1DC	8,00	762 l/h	9,52
<b>G30</b> 28-30 mbar	2SR - 1AUX - 1DC	8,00	581 g/h	30,94
<b>G31</b> 37 mbar	2SR - 1AUX - 1DC	8,00	571 g/h	23,80

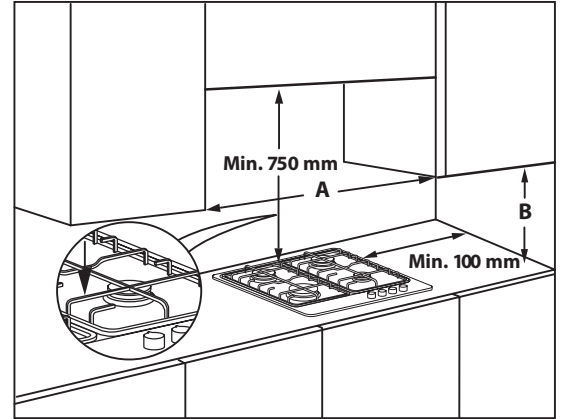
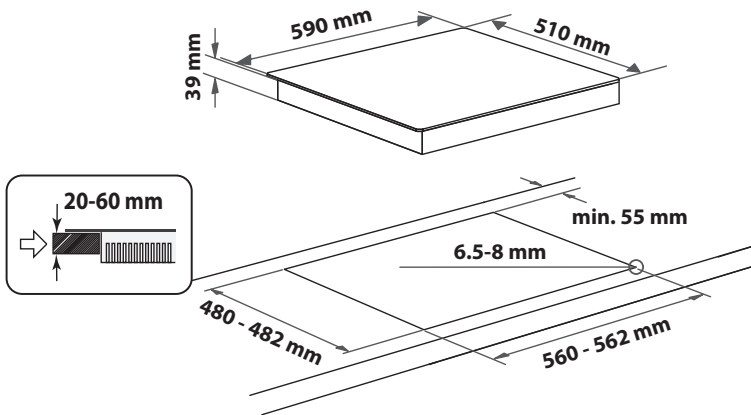
**ELECTRIC SUPPLY: 220-240 V ~ 50-60 Hz - 0,6W**


## INSTALLATION (CLASS 3)

### TECHNICAL INFORMATION FOR THE INSTALLER

- Use protective gloves for handling, preparing, and installing the product.
- This product can be embedded in a worktop 20 ÷ 60 mm thick.
- If there is no oven beneath the hob, insert a separator panel with a surface at least equal to the work surface's opening. This panel must be positioned at a maximum distance of 150 mm below the upper surface of the work surface but, in no case less than 20 mm from the bottom of the hob. In case you intend to install an oven beneath the hob, make sure that it is equipped with a cooling system.

### DIMENSIONS AND DISTANCES TO BE MAINTAINED



**NOTE:** If distance "A" between the kitchen cabinets is between 600 mm and 730 mm, height "B" must be at least 530 mm.  
If distance "A" between the kitchen cabinets is greater than the width of the hob, height "B" must be at least 400 mm.  
If a hood is installed above the hob, refer to the assembly instructions for the hood to see the necessary distance.

### ASSEMBLY

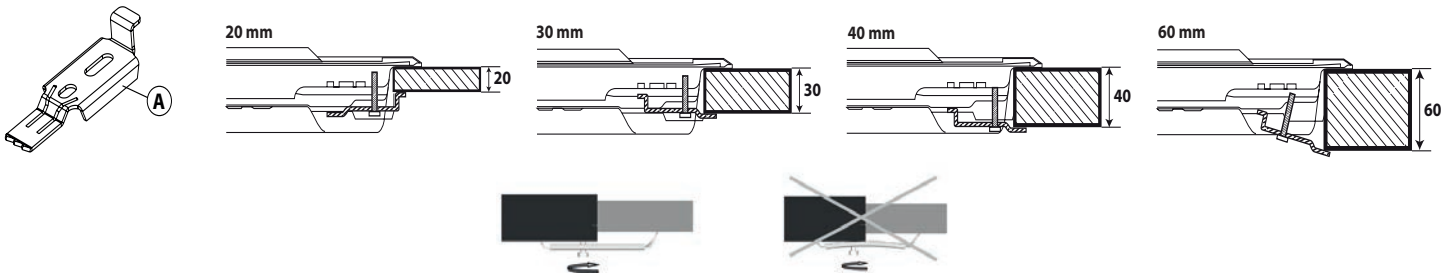
After cleaning the perimeter surface, apply the supplied gasket to the hob as shown in the figure.

Position the hob in the worktop opening made respecting the dimensions indicated in the Instruction.



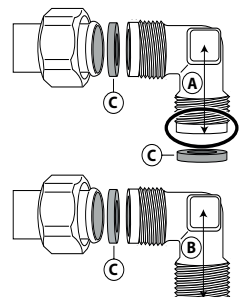
**NOTE:** the power supply cable must be long enough to permit its upward extraction.

To secure the hob, use the brackets (A) provided with it. Fit the brackets into the relevant bores shown by the arrow and fasten them by means of their screws in accordance with the thickness of the worktop (see the following figures).

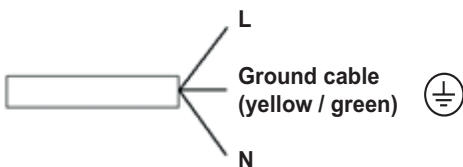


### GAS CONNECTION

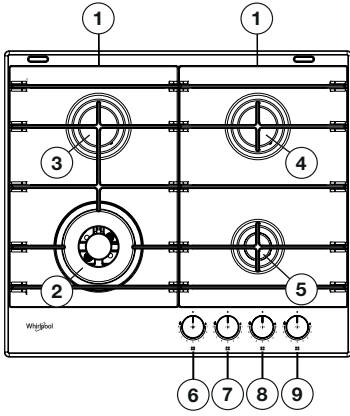
- Connect elbow (A)\* or (B)\* supplied with to the hob inlet main pipe and interpose the washer (C) supplied, in compliance with EN 549.
- \* Use elbow (A) for France and elbow (B) for all other destinations.
- After connection to the gas supply, check for leaks with soapy water. Light up the burners and turn the knobs from max position (clockwise) to minimum position (counter-clockwise) to check flame stability.



### ELECTRICAL CONNECTION



# PRODUCT DESCRIPTION



1. Removable panstand grids
2. 2 Ring burner
3. Semi-rapid burner
4. Semi-rapid burner
5. Auxiliary burner
6. 2 Ring burner control knob
7. Semi-rapid burner control knob
8. Semi-rapid burner control knob
9. Auxiliary burner control knob

## Symbols

- Shaded circle ● Tap closed
- Large flame Maximum opening/delivery and electric ignition
- Small flame Minimum opening or reduced delivery



# DAILY USE

## HOW TO USE THE HOB

Do not let the burner flame extend beyond the edge of the pan.

**IMPORTANT: when the hob is in use, the entire hob area may become hot.**

- To ignite one of the burners, turn the relative knob anti-clockwise to the maximum flame setting.
- Press the knob against the control panel to ignite the burner.
- After the burner has ignited, keep the knob pressed for about 5-10 seconds to allow proper device operation.
- This burner safety device shuts off the gas supply to the burner if the flame goes out accidentally (because of sudden draught, an interruption in the gas delivery, boiling over liquids, etc.).
- **The knob must not be pressed for more than 15 sec. If, after that time has elapsed, the burner does not remain lit, wait at least one minute before trying to light it again.**

**NOTE: should particular local conditions of the delivered gas make the ignition of burner difficult, it is advisable to repeat the operation with the knob turned to the small flame setting.**

**The burner might go out when the knob is released.** This means that the safety device has not warmed up enough. In this case, repeat the operations described above.

If the burner flame is accidentally extinguished, switch off the burner control and do not try to ignite for at least 1 minute.

## PRACTICAL ADVICE FOR USING THE BURNERS

This hob has burners of different diameters. For better burner performance, please stick to the following rules:

- use pots and pans with bottoms the same width as that of the burners or slightly larger (see table on the right);
- only use flat-bottomed pots and pans;
- use the correct amount of water for cooking foods and keep the pot covered;
- make sure pots on the grates do not protrude beyond the edge of the hob;
- In the case of pans with convex bottoms (WOK), use the support grille (not provided), which should be positioned only on the multi-ring burner;
- avoid accidentally knocking the hob with pans, racks or other kitchen utensils;
- do not leave empty steak grills over the lit burner for longer than 5 minutes.

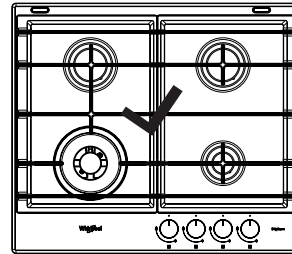
**IMPORTANT: improper use of the grids can damage the hob: do not position the grids upside down or slide them across the hob.**

BURNER	POT Ø
2 Ring	From 24 to 26 cm
Semi-rapid	From 16 to 22 cm
Auxiliary	From 8 to 14 cm

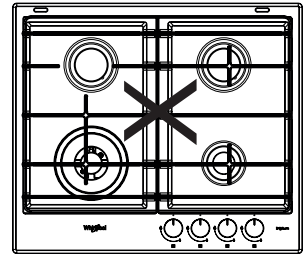
Do not use:

- cast iron griddles, ollar stones, terracotta pots, and pans;
- heat diffusers such as metal mesh, or any other types;
- two burners simultaneously for one receptacle (e.g., fish kettle).

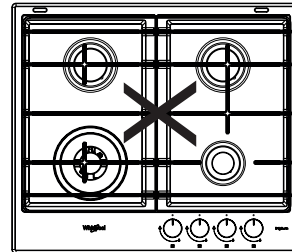
## CORRECT POSITIONING OF THE GRIDS



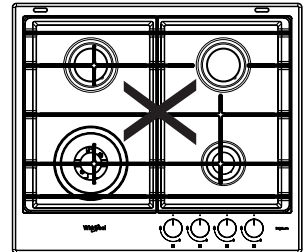
OK



NO



NO



NO

## ADAPTING TO DIFFERENT TYPES OF GAS

This operation must be performed by a qualified technician.

If the appliance is intended to operate with a different gas from the gas type stated on the rating plate and information label on the top of the hob, change the injectors.

Remove the information label and keep it with the instructions booklet.

**Use pressure regulators suitable for the gas pressure indicated in the instruction:**

- the gas injector must be changed by After Sales Service or a qualified technician;
- injector not supplied with the appliance must be ordered from After Sales Service;
- adjust the minimum setting of the taps.

**NOTE: when liquid petroleum gas is used (G30/G31), the minimum gas setting screw must be tightened as far as it will go.**

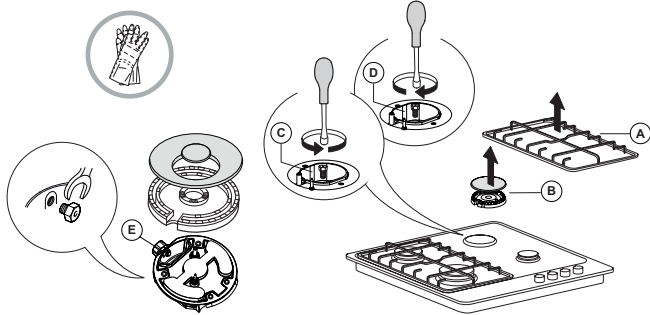
**IMPORTANT: should you experience difficulty in turning the burners knobs, please contact the After Sales Service for the replacement of the burner tap if found to be faulty.**

**IMPORTANT: when gas cylinder is adopted, the gas cylinder or gas container must be properly settled (vertical orientation).**

**REPLACING THE INJECTORS (see the injector table in the Safety instructions)**

⚠ This operation must be performed by a qualified technician.

- Remove grids (A).
- Extract burners (B).
- Using a socket spanner of the appropriate size unscrew the injector (C), to be replaced.
- Replace it with the injector suitable for the new type of gas.
- Re-assemble the injector in (D).
- If you have a multiple crown burner, use a side spanner to replace the injector (E).



Before installing the hob, remember to affix the gas calibration plate supplied with the injectors in such a way that it covers the existing information relating to gas calibration.

**ADJUSTING MINIMUM GAS SETTING OF TAPS**

⚠ This operation must be performed by a qualified technician.

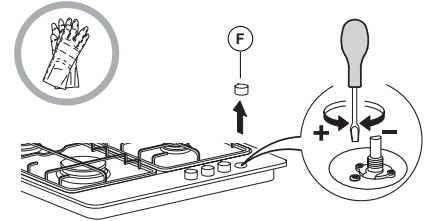
The adjustment must be performed with the tap in a minimum gas setting position (small flame).

The primary air of the burners does not need to be adjusted.

To ensure that the minimum setting is correctly adjusted, remove the knob (F) and proceed as follows:

- tighten the screw to reduce the flame height (-);
- loosen the screw to increase the flame height (+).

At this stage, light up the burners and turn the knobs from max. position to minimum position to check flame stability.



Upon completion of adjustment, reseal using sealing wax or an equivalent material.

**MULTILEVEL FLAME**

LEVEL	COOKING METHOD/TYPE (SUGGESTED FOR)	COOKING TIPS
1-2	KEEPWARM	Ideal for softening butter, gently melting chocolate in bagnemarie, thawing small portions, creaming risotto.
	GENTILE COOK	
3-4	SIMMERING	Ideal for slow-cook recipes (rice, sauces, roast, fish) using liquids (water, wine, broth), and for creaming pasta, maintaining a gentle boiling.
	STEWING	
5-6	ROASTING	Ideal for sauteing, stewing vegetables, cooking for longer period, preheating accessories, cooking until creamy.
	FRYING	
7-8	STIR FRYING	Ideal for browning, starting to cook, bringing liquids to the boil quickly, frying deep-frozen products, grilling meat and fish, maintaining a lively boil.
	GRILLING	
9	FAST HEATING	Ideal for rapidly increasing the temperature of food or for heating up liquids (water).

**MAINTENANCE AND CLEANING**

⚠ Disconnect the appliance from the power supply.

**CLEANING THE HOB SURFACE**

- All the enamelled and glass parts should be cleaned with warm water and a neutral solution.
- Stainless steel surfaces may be stained by calcareous water or aggressive detergents if left in contact for too long. Any food spills (water, sauce, coffee, etc.) should be wiped away before they dry.
- Clean with warm water and neutral detergent, and then dry with a soft cloth or chamois. Remove baked-on dirt with specific cleaners for stainless steel surfaces.

**NOTE: clean stainless steel only with soft cloth or sponge.**

- Do not use abrasive or corrosive products, chlorine-based cleaners or pan scourers.
- Do not use steam cleaning appliances.
- Do not use flammable products.
- Do not leave acid or alkaline substances, such as vinegar, mustard, salt, sugar or lemon juice on the hob.

**CLEANING THE HOB PARTS**

- Clean glass and enamelled parts only with soft cloth or sponge.
- Grids, burner caps and burners can be removed to be cleaned.
- Clean them by hand with warm water and non-abrasive detergent, removing any food residues and checking that none of the burner openings is clogged.
- Rinse and dry.
- **The cast-iron grates may be cleaned in the dishwasher. Remove any burnt-on food before placing the grates in the lowest rack in the dishwasher.**
- Refit burners and burner caps correctly in the respective housings.
- When replacing the grids, make sure that the panstand area is aligned with the burner.
- Models equipped with electrical ignition plugs and safety device require thorough cleaning of the plug end in order to ensure correct operation. Check these items frequently, and if necessary, clean them with a damp cloth. Any baked-on food should be removed with a toothpick or needle.

**NOTE: to avoid damaging the electric ignition device, do not use it when the burners are not in their housing.**

## TROUBLESHOOTING

If the hob does not operate correctly, before calling the After-Sales Service, refer to the Troubleshooting Guide to determine the problem

### 1. The burner fails to ignite, or the flame is not even

Check that:

- the gas or electrical supplies are not shut off and especially that the gas supply tap is open;
- the gas cylinder (liquid gas) is not empty;
- the burner openings are not clogged;
- the plug end is not dirty;
- all the burner parts have been positioned correctly;
- there are no draughts near the hob.

### 2. The burner does not stay lit

Check that:

- when lighting the burner, the knob has been pressed for enough time to activate the protection device;
- the burner openings are not clogged near the thermocouple;
- the end of the safety device is not dirty;
- the minimum gas setting is correct (see relevant paragraph).

### 3. The containers are not stable

Check that:

- the bottom of the container is perfectly flat;
- the container is centred on the burner;
- the grids have not been exchanged or positioned incorrectly.

If after the above checks the fault still occurs, get in touch with the nearest After Sales Service.

## AFTER-SALES SERVICE

In order to receive complete assistance, please register your product on [www.whirlpool.eu/register](http://www.whirlpool.eu/register).

### BEFORE CALLING THE AFTER-SALES SERVICE:

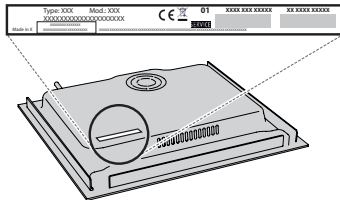
1. See if you can solve the problem by yourself with the help of the **TROUBLESHOOTING** suggestions.
2. Switch the appliance off and back on again to see if the fault persists.

### IF AFTER THE ABOVE CHECKS THE FAULT STILL OCCURS, GET IN TOUCH WITH THE NEAREST AFTER-SALES SERVICE.

To receive assistance, call the number shown on the warranty booklet or follow the website's instructions on [www.whirlpool.eu](http://www.whirlpool.eu).

When contacting our Client After-sales service, always specify:

- a brief description of the fault;
- the type and exact model of the appliance;



- the serial number (number after the word SN on the rating plate located under the appliance). The serial number is also indicated in the documentation;



Mod. XXX XXX

Ind.C. XXXX XXXX XXXX

Prod.N. 86999XXXXXXX S.N. XXXX XXXX XXXX

- your full address;
- your telephone number.

If any repairs are required, please contact an authorized after-sales service (to guarantee that original spare parts will be used and repairs carried out correctly).



Kompletní návod k obsluze si stáhněte na stránce <http://docs.whirlpool.eu> nebo zavolejte na telefonní číslo uvedené v záručním listě.

⚠ Tyto pokyny platí v případě, pokud je na spotřebiči uveden symbol země. Pokud takový symbol na přístroji není, je třeba nahlédnout do technických pokynů, kde naleznete potřebné informace týkající se úpravy nastavení spotřebiče na podmínky pro používání v dané zemi.

⚠ **UPOZORNĚNÍ:** Použití plynového sporáku vede k produkci tepla, vlhkosti a produktů spalování v místnosti, ve které je instalován. Ujistěte se, že je kuchyň dobře větraná, zvláště je-li spotřebič v provozu: ponechte otevřené otvory pro přirozenou ventilaci, nebo nainstalujte mechanické ventilační zařízení (mechanickou odtahovou digestoř). Dlouhé a intenzivní používání přístroje může vyžadovat další způsob větrání, například otevření okna, popřípadě efektivnější ventilaci zvýšením úrovně mechanické ventilace tam, kde je k dispozici.

⚠ Pokud se nebudete přesně řídit informacemi v této příručce, může dojít k požáru nebo výbuchu s následkem poškození majetku nebo zranění osob.

Před použitím spotřebiče si přečtěte tyto bezpečnostní pokyny. Mějte je při ruce pro účely pozdějšího použití. V těchto pokynech a na samotném spotřebiči jsou uvedena důležitá bezpečnostní upozornění, která je třeba za všech okolností dodržet. Výrobce odmítá nést jakoukoli odpovědnost za poruchy, které byly způsobeny nedodržením bezpečnostních pokynů, nevhodným používáním spotřebiče nebo nesprávným nastavením ovladačů.

⚠ **VÝSTRAHA:** Pokud je varný povrch popraskaný, zařízení nepoužívejte. Riziko elektrického šoku.

⚠ **VÝSTRAHA:** Nebezpečí požáru: Na varném povrchu neskladujte žádné předměty.

⚠ **UPOZORNĚNÍ:** Proces vaření musí probíhat pod kontrolou. Krátké vaření musí být neustále monitorováno.

⚠ **VÝSTRAHA:** Vaření pokrmů s obsahem tuku nebo oleje bez dozoru na varné desce může být nebezpečné. Riziko požáru! NIKDY se nepokoušejte hasit oheň vodou. Spotřebič vypněte a pak plamen přikryjte pokličkou nebo hasicí dekou.

⚠ Varnou plochu nepoužívejte jako pracovní plochu nebo oporu. Do blízkosti spotřebiče nepokládejte oděvy nebo jiné hořlavé materiály, dokud veškeré součásti zcela nevychladnou. Riziko požáru!

⚠ Velmi malé děti (0–3 roky) je třeba držet v bezpečné vzdálenosti od spotřebiče. Malé děti (3–8 let) by se neměly ke spotřebiči přibližovat, pokud nejsou pod dozorem. Děti starší 8 let a osoby s fyzickým, smyslovým či duševním postižením nebo bez patřičných zkušeností a znalostí mohou tento spotřebič používat pouze pod dohledem nebo tehdy, pokud obdržely informace

o bezpečném použití spotřebiče a rozumějí rizikům, která s jeho používáním souvisejí. Nedovolte dětem, aby si se spotřebičem hrály. Nedovolte dětem, aby bez dohledu prováděly čištění a běžnou údržbu spotřebiče.

⚠ **UPOZORNĚNÍ:** V případě, že praskne sklo plotýnky: okamžitě vypněte všechny hořáky a všechny elektrické topné články a odpojte spotřebič od elektrické sítě, nedotýkejte se povrchu spotřebiče, spotřebič nepoužívejte. Skleněné víko se při zahřátí může rozlomit. Před zavřením víka vypněte všechny hořáky a elektrické plotýnky. Víko nezavírejte, pokud hořák hoří.

⚠ **VÝSTRAHA:** Spotřebič a jeho přístupné součásti se při použití zahřívají. Je třeba dbát opatrnosti, abyste se nedotkli topných těles. Děti mladší 8 let se nesmějí ke spotřebiči přibližovat, pokud nejsou pod dohledem dospělé osoby.

### POVOLENÉ POUŽITÍ

⚠ **UPOZORNĚNÍ:** Tento spotřebič není určen k řízení pomocí externího zařízení, jako je např. časovač, nebo samostatného systému dálkového ovládání.

⚠ Tento spotřebič je určen k použití v domácnostech a zařízeních, jako jsou: kuchyňské kouty pro zaměstnance v obchodech, kancelářích a na jiných pracovištích; statky; klienty hotelů, motelů, zařízení typu „bed & breakfast“ a jiných rezidenčních prostředích.

⚠ Není přípustné jej používat jiným způsobem (např. k vytápění místnosti).

⚠ Tento spotřebič není určen k profesionálnímu použití. Spotřebič nepoužívejte venku.

⚠ Používejte nádoby s průměrem dna stejným, jako je průměr varné zóny hořáku, nebo jen nepatrně větším (viz zvláštní tabulka). Dbejte na to, aby nádoby na mřížce nepřesahovaly okraj varné desky.

⚠ Nevhodné použití mřížek může plotnu poškodit: Nepokládejte mřížky na varnou desku obráceně ani je po desce neposouvejte.

Plamen hořáku nesmí přesahovat za okraj dna hrnce či pánve. Pokud je povrch varné desky vyroben ze skleněného materiálu, nepoužívejte litinové rošty, keramické kameny a terakotové hrnce nebo pánve.

Nepoužívejte: rozptylovače tepla, jako jsou kovové mřížky apod.; dva hořáky současně na jednu nádobu (např. hrnec na ryby).

Pokud konkrétní místní podmínky dodávky plynu znesnadňují zapálení hořáku, doporučujeme zopakovat postup s ovladačem nastaveným na malý plamen.

V případě instalace digestoře nad horní panel sporáku naleznete údaje o správné vzdálenosti digestoře od panelu sporáku v návodu k digestoři.

Malé děti by se při hře s ochrannými gumovými nožičkami na mřížkách mohly udusit. Po odstranění mřížek se prosím ujistěte, že všechny patky jsou správně nasazeny.

### INSTALACE

⚠ Stěhování a instalace spotřebiče vyžaduje minimálně dvě osoby – nebezpečí zranění. Při rozbalování a instalaci používejte ochranné rukavice – nebezpečí pořezání.

⚠ Připojení elektřiny a plynu musí být v souladu s místními předpisy.

⚠ Instalaci, včetně připojení přívodu vody (pokud nějaký existuje) a elektřiny, a opravy musí provádět kvalifikovaný technik. Neopravujte ani nevyměňujte žádnou část

spotřebiče, pokud to není výslovně uvedeno v návodu k použití. Nedovolte dětem, aby se přibližovaly k místu instalace. Po vybalení spotřebiče se přesvědčte, že nebyl při dopravě poškozen. V případě problémů se obraťte na prodejce nebo na nejbližší servisní středisko. Po instalaci musí být obalový materiál (plasty, polystyrenová pěna atd.) uložen mimo dosah dětí – nebezpečí udušení. Před zahájením instalace je nutné spotřebič odpojit od elektrické sítě – nebezpečí úrazu elektrickým proudem. Během instalace se ujistěte, že zařízení nepoškozuje napájecí kabel – nebezpečí požáru a úrazu elektrickým proudem. Zařízení nezapínejte, dokud nebyla ukončena instalace.

⚠ **VÝSTRAHA:** Modifikace spotřebiče a způsob jeho instalace mají za účelem bezpečného a správného používání spotřebiče ve všech dalších zemích zásadní důležitost.

⚠ Používejte regulátory tlaku vhodné pro tlak plynu uvedený v pokynech.

⚠ Místnost musí být vybavena systémem odsávání vzduchu, který vypudí veškeré spaliny. Může to být digestoř nebo elektrický ventilátor, které se zapnou automaticky s každým zapnutím spotřebiče.

⚠ Místnost musí také umožňovat správnou cirkulaci vzduchu, protože ten je zapotřebí k tomu, aby spalování probíhalo normálně. Průtok vzduchu nesmí být nižší než 2 m<sup>3</sup>/h na kW instalovaného výkonu.

⚠ Systém cirkulace vzduchu může odebírat vzduch přímo zvenčí, a to pomocí trubky s vnitřním průřezem alespoň 100 cm<sup>2</sup>; otvor nesmí být náchylný k zablokování.

⚠ Systém může vzduch potřebný pro spalování dodávat rovněž nepřímo, tj. z přilehlých místností vybavených vzduchovými cirkulačními trubkami, jak je popsáno výše. Nesmí se však jednat o prostory, jako jsou společenské místnosti, ložnice nebo místnosti, které představují nebezpečí požáru.

⚠ Kapalný ropný plyn klesá k podlaze, neboť je těžší než vzduch. Proto musí být místnosti, ve kterých se nacházejí láhve s LPG, rovněž vybaveny větracími otvory, které umožní odvětrání plynu v případě jeho úniku. V důsledku toho nesmí být láhve s LPG, ať již částečně či zcela naplněné, instalovány nebo skladovány v místnostech nebo skladovacích prostorách, které se nacházejí pod úrovní země (ve sklepech apod.). Doporučujeme vám ponechat v místnosti pouze láhev, kterou právě používáte a která je umístěna tak, aby nebyla vystavena působení tepla ze strany externích zdrojů (trub, krbů, sporáků atd.), jejichž prostřednictvím by mohlo dojít ke zvýšení teploty láhve nad 50 °C.

Pokud jdou ovladače hořáků otáčet jen ztuha, obraťte se prosím na náš poprodejní servis; v případě shledání závady bude nutné ventil hořáku vyměnit.

Otvory používané pro větrání a rozptylování tepla se nikdy nesmí zakrývat.

⚠ Je-li nutné skříňku, do které bude zařízení umístěno, přizpůsobit, proveďte tyto práce ještě předtím, než jej do skříňky zasunete. Následně odstraňte všechny dřevěné třísky a piliny.

⚠ Pokud není spotřebič nainstalován nad troubou, pod spotřebič je třeba nainstalovat i oddělovací panel (není součástí balení).

## PŘIPOJENÍ PLYNU

⚠ **VÝSTRAHA:** Před prováděním instalace se ujistěte, že místní distribuční podmínky (druh plynu a jeho tlak) a nastavení spotřebiče si odpovídají.

⚠ Zkontrolujte, zda přívodní tlak plynu odpovídá hodnotám uvedeným v tabulce „Specifikace hořáku a trysek“.

⚠ **VÝSTRAHA:** Podmínky nastavení vztahující se k tomuto zařízení jsou uvedeny na etiketě (nebo výrobním štítku).

⚠ **VÝSTRAHA:** Tento spotřebič není připojen k zařízení pro odvod produktů spalování. Je třeba jej nainstalovat a připojit v souladu s aktuálními předpisy pro instalaci. Je třeba věnovat zvláštní pozornost příslušným požadavkům na odvětrávání.

⚠ Pokud jsou spotřebiče připojeny k zásobníku kapalného plynu, je třeba co nejdříve utáhnout regulační šroub.

⚠ **DŮLEŽITÉ:** V případě použití tlakové láhve musí být tlaková láhev správe usazena (ve svislé poloze).

⚠ **VÝSTRAHA:** Tento úkon musí provést kvalifikovaný technik.

⚠ K připojení plynu použijte pouze ohebnou nebo pevnou kovovou hadici.

⚠ Připojení k pevnému potrubí (měděnému nebo ocelovému) Připojení k plynovému systému musí být provedeno tak, aby bylo vyloučeno jakékoli zatížení přístroje. Na plošině spotřebiče pro zásobník plynu se nachází nastavitelná potrubní armatura ve tvaru L opatřená těsněním chránícím před úniky. Po otočení potrubní armatury je třeba těsnění vždy vyměnit (těsnění se dodává společně se spotřebičem). Potrubní armatura pro přívod plynu je opatřena vnějším půlpalcovým závitem.

⚠ Připojení flexibilní trubky bez svarů z nerezavějící oceli k závitovému nástavci Potrubní armatura pro přívod plynu je opatřena vnějším půlpalcovým závitem. Tyto trubky musejí být instalovány tak, aby při svém plném roztažení nikdy nepřesáhly délku 2 000 mm. Poté, co připojení zrealizujete, ujistěte se, že se ohebná kovová trubka nedotýká žádných pohyblivých součástí a nic na ni netlačí. Používejte pouze takové trubky a těsnění, která odpovídají aktuálním národním předpisům.

⚠ **DŮLEŽITÉ:** Pokud použijete hadici z nerezové oceli, musí být instalována tak, aby se nedotýkala žádné pohyblivé části nábytku (např. zásuvky). Hadice musí procházet prostorem bez překážek a tak, aby bylo možné ji kontrolovat po celé její délce.

⚠ Spotřebič by měl být k hlavnímu přívodu plynu nebo plynové láhvi připojen v souladu s platnými národními předpisy. Před realizací připojení se ujistěte, že je spotřebič kompatibilní s dodávkou takového plynu, který hodláte použít. Pokud tomu tak není, postupujte podle pokynů uvedených v odstavci „Přizpůsobení pro jiné typy plynových paliv“.

⚠ Po připojení k přívodu plynu zkontrolujte případné netěsnosti pomocí mýdlové vody. Vyzkoušejte stálost plamene tak, že hořáky zapálíte a otočíte ovládací knoflíky z maximální polohy 1\* do minimální polohy 2\*.

## PŘÍZPŮSOBNÍ PRO JINÉ TYPY PLYNOVÝCH PALIV

(Tento úkon musí provést kvalifikovaný technik).

⚠ Za účelem přizpůsobení spotřebiče jinému typu plynu, než je ten, pro který byl vyroben (je vyznačeno na typovém štítku), postupujte podle příslušných kroků uvedených v instalačních výkresech.

## UPOZORNĚNÍ NA PŘERUŠENÍ DODÁVKY ELEKTRICKÉ ENERGIE

⚠ **DŮLEŽITÉ:** Informace o spotřebě proudu a napětí je uvedena na typovém štítku.

⚠ V souladu s národními bezpečnostními normami týkajícími se elektrických zařízení musí být možné odpojit spotřebič od elektrické sítě vytažením zástrčky, pokud je zástrčka přístupná, nebo, v souladu s pravidly pro zapojování, prostřednictvím vícepólového vypínače umístěného před zásuvkou a spotřebič musí být uzemněn.

⚠ Napájecí kabel musí být natolik dlouhý, aby umožnil připojení spotřebiče zabudovaného do skříňky k elektrické síti. Nikdy netahejte za napájecí kabel.

⚠ Nepoužívejte prodlužovací kabely, sdružené zásuvky nebo adaptéry. Po provedení instalace nesmí být elektrické prvky spotřebiče pro uživatele přístupné. Nepoužívejte spotřebič, pokud jste mokří nebo naboso. Tento spotřebič nezapínejte, pokud je poškozen napájecí síťový kabel či zástrčka, pokud správně nefunguje nebo byl poškozen či spadl.

⚠ Jestliže je poškozený přívodní kabel, smí ho vyměnit (za identický díl) pouze výrobce, servisní technik nebo osoba s obdobnou kvalifikací, jinak by mohlo dojít k úrazu – riziko elektrického šoku!

## ČIŠTĚNÍ A ÚDRŽBA

⚠ **VÝSTRAHA:** Než zahájíte jakoukoli údržbovou operaci, ujistěte se, že je spotřebič vypnutý a odpojený od zdroje napájení; nikdy nepoužívejte parní čistič – riziko elektrického šoku.

⚠ Nepoužívejte abrazivní ani agresivní produkty, čisticí prostředky s obsahem chloru ani drátěnky.

⚠ Abyste zabránili poškození elektrického zapalovacího zařízení, nepoužívejte jej, když se hořáky nenacházejí ve svých otvorech.

## LIKVIDACE OBALOVÉHO MATERIÁLU

Obal je ze 100% recyklovatelného materiálu a je označen recyklačním znakem




Jednotlivé části obalového materiálu proto zlikvidujte odpovědně podle platných místních předpisů upravujících nakládání s odpady.

## LIKVIDACE DOMÁCÍCH ELEKTROSPOTŘEBIČŮ

Tento spotřebič byl vyroben z recyklovatelných nebo opakovaně použitelných materiálů. Zlikvidujte jej podle místních předpisů pro likvidaci odpadu. Další informace o likvidaci, renovaci a recyklaci elektrických spotřebičů získáte na místním úřadě, v podniku pro sběr domácího odpadu nebo v obchodě, kde jste spotřebič zakoupili. Tento spotřebič je označen v souladu s evropskou směrnicí 2012/19/EU o odpadních elektrických a elektronických zařízeních (OEEZ) a nařízeními o odpadních elektrických a elektronických zařízeních 2013 (včetně dodatků).

Zajištěním správné likvidace tohoto výrobku pomůžete zabránit negativním vlivům na životní prostředí a lidské zdraví.

Symbol  na výrobku nebo příslušných dokladech udává, že tento výrobek nesmí být likvidován společně s domácím odpadem, nýbrž je nutné jej odevzdat do příslušného sběrného střediska k recyklaci elektrických a elektronických zařízení.

## RADY K ÚŠPOŘE ELEKTRICKÉ ENERGIE

Používejte hrnce a pánve, jejichž velikost odpovídá velikosti varné zóny.

Používejte pouze hrnce a pánve s plochým dnem.

Je-li to možné, nechte nádoby během vaření přikryté pokličkou.

Chcete-li ušetřit maximum času a elektrické energie, používejte tlakový hrnec.

## PROHLÁŠENÍ O SHODĚ

Tento spotřebič splňuje požadavky na ekodesign evropského nařízení 66/2014 a nařízení o ekodesignu výrobků spojených se spotřebou energie a informací o energii (dodatek) (EU Exit) 2019 v souladu s evropskou normou EN 30-2-1.

Používaný typ plynu	Typ hořáku	Označení injektoru	Jmenovitý tepelný tok kW	Jmenovitá spotřeba	Snížená tepelná kapacita kW	Tlak plynu mbar		
						min.	jmen.	max.
ZEMNÍ PLYN (Metan) <b>G20</b>	Střední (SR)	97	1,75	167 l/h	0,40	17	20	25
	Doplňkový (AUX)	78 A	1,00	95 l/h	0,40			
	se dvěma prstenci (DC)	140 H3	3,50	333 l/h	2,20			
LPG (Butan) <b>G30</b>	Střední (SR)	67	1,75	127 g/h	0,40	20	30	35
	Doplňkový (AUX)	50	1,00	73 g/h	0,40			
	se dvěma prstenci (DC)	94	3,50	254 g/h	2,20			
LPG (Propan) <b>G31</b>	Střední (SR)	67	1,75	125 g/h	0,40	20	30	35
	Doplňkový (AUX)	50	1,00	71 g/h	0,40			
	se dvěma prstenci (DC)	94	3,50	250 g/h	2,20			

Používaný typ plynu	Konfigurace modelu 4 HOŘÁKY	Jmenovitý tepelný tok (kW)	Celková jmenovitá spotřeba	Vzduch (m <sup>3</sup> ) nutný ke spálení 1m <sup>3</sup> plynu
<b>G20</b> 20 mbar	2SR - 1AUX - 1DC	8,00	762 l/h	9,52
<b>G30</b> 30 mbar	2SR - 1AUX - 1DC	8,00	581 g/h	30,94
<b>G31</b> 30 mbar	2SR - 1AUX - 1DC	8,00	571 g/h	23,80

ELEKTRICKÉ NAPÁJENÍ: 220-240 V ~ 50-60 Hz - 0,6W

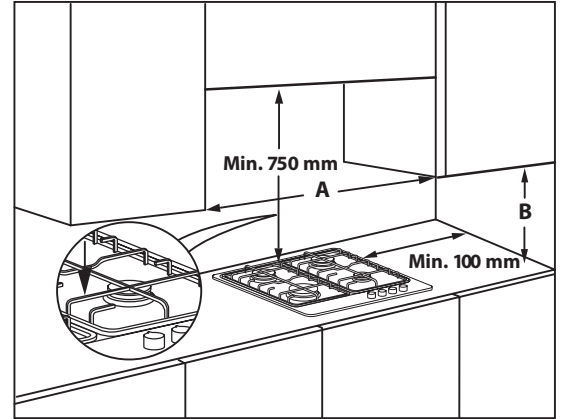
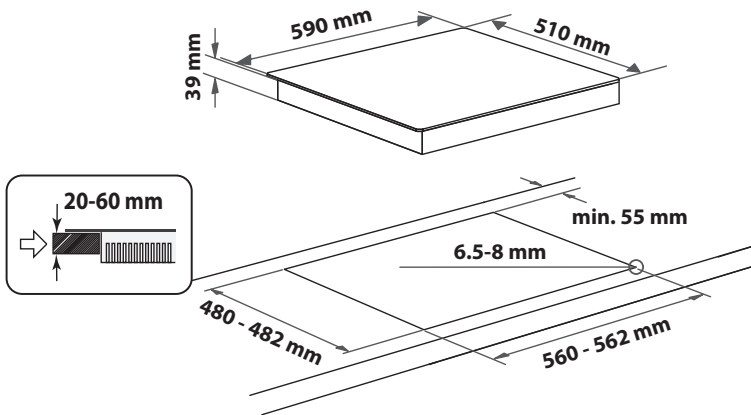


## MONTÁŽ (TŘÍDA 3)

### TECHNICKÉ INFORMACE PRO MONTÉRA

- Při manipulaci s produktem, jeho přípravě a instalaci použijte ochranné rukavice.
- Tento produkt lze zapustit do pracovní desky o tloušťce 20÷60 mm.
- Pokud pod varnou deskou není umístěna trouba, vložte pod ni oddělovací panel minimální plochou odpovídající otvoru v pracovní desce. Tento panel musí být umístěn maximální vzdálenosti 150 mm pod horní plochou pracovní desky, ale v žádném případě ne blíže než 20 mm ode dna varné desky. V případě, že máte v úmyslu pod varnou desku umístit troubu, tato trouba musí být vybavena systémem chlazení.

### ROZMĚRY A VZDÁLENOSTI, KTERÉ JE TŘEBA DODRŽET



**POZNÁMKA:** Pokud vzdálenost „A“ mezi stěnami linky činí 600mm až 730 mm, musí výška „B“ činit minimálně 530 mm. Je-li vzdálenost „A“ mezi stěnami linky větší než šířka varné desky, musí výška „B“ činit minimálně 400 mm. V případě instalace digestoře nad varnou desku vyhledejte vhodnou vzdálenost v pokynech k digestoři.

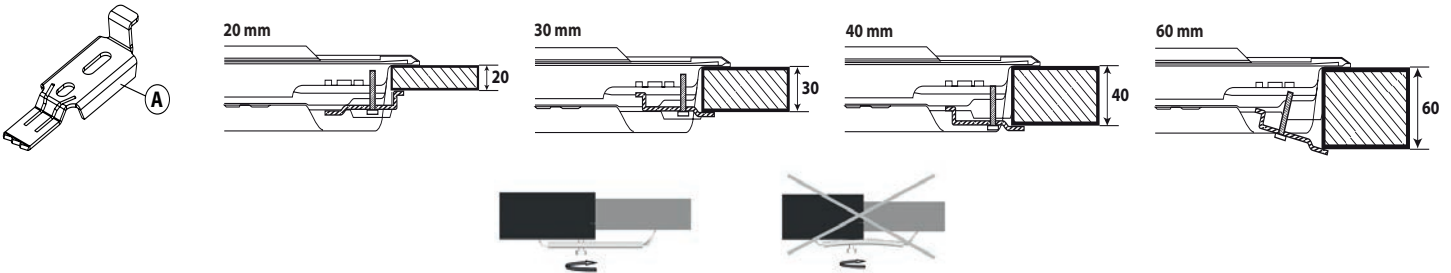
### SESTAVENÍ

Po očištění okrajového povrchu na varnou desku připevněte dodané těsnění dle obrázku.

Umístěte varnou desku do otvoru v pracovní desce, který byl připraven s ohledem na rozměry uvedené v návodu.

**POZNÁMKA:** Přívodní kabel musí být dostatečně dlouhý, aby bylo možné zvednutí spotřebiče.

K zajištění varné desky použijte dodané svorky (A). Vložte svorky do příslušných otvorů označených šipkou a upevněte je pomocí šroubů v závislosti na tloušťce pracovní desky (viz následující obrázky).

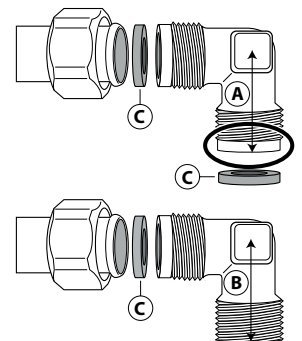


### PŘIPOJENÍ PLYNU

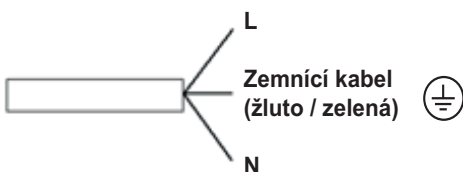
- Připojte dodávané koleno (A)\* nebo (B)\* k hlavní přívodní trubce varné desky a vložte dodanou podložku (C) v souladu s normou EN 549.

\* Ve Francii použijte koleno (A) a ve všech ostatních zemích koleno (B).

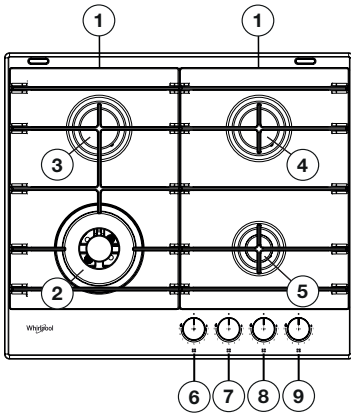
- Po připojení k přívodu plynu zkontrolujte případné netěsnosti pomocí mýdlové vody. Zapalte hořáky a otočením ovladačů od maximální polohy do minimální polohy zkontrolujte stálost plamene.



### ELEKTRICKÉ PŘIPOJENÍ



# POPIS PRODUKTU



1. Odnímatelné mřížky
2. 2 prstencový hořák
3. Střední hořák
4. Střední hořák
5. Doplnkový hořák
6. Ovladač 2 prstencového hořáku
7. Ovladač středního hořáku
8. Ovladač středního hořáku
9. Ovladač doplňkového hořáku

## Symbody

- Plné kolečko ● Přívod uzavřen
- Velký plamen 🔥 Maximální otevření/přívod a elektrické zapalování
- Malý plamen 🔥 Minimální otevření nebo snížený přívod



# KAŽDODENNÍ POUŽÍVÁNÍ

## POUŽÍVÁNÍ VARNÉ DESKY

⚠ Plamen hořáku nesmí přesahovat za okraj dna hrnce či pánve.

**DŮLEŽITÉ UPOZORNĚNÍ:** při používání varné desky může dojít ke zvýšení teploty v jejím okolí.

- Pokud chcete zapálit některý z hořáků, otočte příslušný ovladač proti směru hodinových ručiček na největší plamen.
- Přitlačením ovladače k ovládacímu panelu zapalte hořák.
- Po zapálení držte ovladač stisknutý po dobu asi 5–10 sekund, aby hořák nezhasl.
- Tento bezpečnostní prvek hořáků zastaví přívod plynu k hořáku v případě, že plamen nečekaně zhasne (kvůli náhlému průvanu, přerušení dodávky plynu, přetečení vody z hrnce apod.).
- Ovladač by neměl být stisknutý více než 15 sekund. Pokud po uplynutí této doby hořák nezůstane zapálený, počkejte před opakováním pokusu o zapálení alespoň jednu minutu.

**POZNÁMKA:** Pokud konkrétní místní podmínky dodávky plynu znesnadňují zapálení hořáku, doporučujeme zopakovat postup s ovladačem nastaveným na malý plamen.

**Po uvolnění ovladače může hořák zhasnout.** To znamená, že bezpečnostní prvek se dostatečně nezahřál. V takovém případě opakujte výše uvedené postupy. Při náhodném zhasnutí plamene otočte otočný ovladač do polohy odpovídající vypnutí a před opětovným pokusem o jeho zapálení vyčkejte nejméně 1 minutu.

## PRAKTICKÉ RADY PRO POUŽÍVÁNÍ HOŘÁKŮ

Tato varná deska zahrnuje hořáky různých průměrů. Optimální funkci hořáků zajistíte dodržováním následujících pravidel:

- používejte hrnce a pánve s průměrem stejným nebo mírně větším, než je průměr hořáku (viz tabulka vpravo);
- používejte pouze hrnce a pánve s plochým dnem;
- používejte při vaření potravin vhodné množství vody a zakrývejte hrnce pokličkou;
- hrnce či pánve po položení na mřížku nesmí přesahovat přes okraj varné desky;
- chcete-li použít pánve s vypouklým dnem (wok), použijte podpůrnou mřížku (není součástí dodávky) a umístěte ji na hořák se dvěma prstenci;
- zabraňte nárazům hrnců, mřížek nebo jiného kuchyňského nářadí;
- nenechávejte prázdné nádoby na steak na zapnutém sporáku déle než 5 minut.

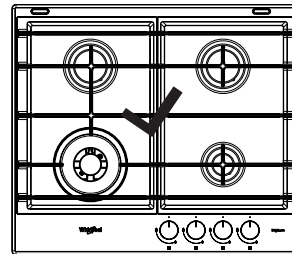
**DŮLEŽITÉ UPOZORNĚNÍ:** Nevhodné použití mřížek může poškodit varnou desku. Nepokládejte mřížky na varnou desku obráceně ani je po desce neposouvajte.

HOŘÁK	Ø PRŮMĚR HRNCE
se dvěma prstenci	Od 24 do 26 cm
Střední	Od 16 do 22 cm
Doplňkový	Od 8 do 14 cm

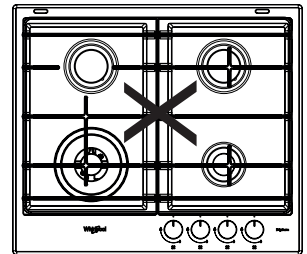
Nepoužívejte:

- litinové plotny, kameninové desky ani terakotové hrnce a pánve;
- rozptylovače tepla, jako jsou kovové mřížky apod.;
- dva hořáky současně na jednu nádobu (např. hrnce na ryby).

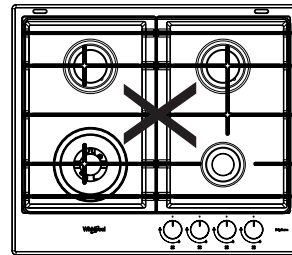
## SPRÁVNÉ UMÍSTĚNÍ GRIDŮ



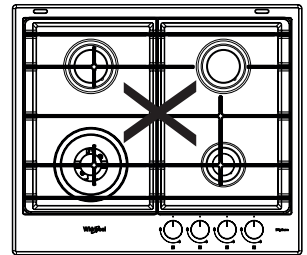
OK



NO



NO



NO

## PŘÍZPŮSOBNÍ PRO JINÉ TYPY PLYNU

⚠ Tento úkon musí být proveden kvalifikovaným technikem.

Pokud má spotřebič používat jiný druh plynu než ty, které jsou vedeny na typovém štítku a informačním štítku na horní straně varné desky, vyměňte injektory. Odlepte informační štítek a uchovejte jej spolu s příručkou.

**Používejte regulátory tlaku vhodné pro tlak plynu uvedený v pokynech:**

- plynový injektor smí vyměnit pouze servisní středisko nebo kvalifikovaný technik;
- injektor není dodáván spolu se spotřebičem a je nutné jej objednat v servisním středisku;
- upravte nastavení minimálních poloh ovladačů.

**POZNÁMKA:** V případě použití LPG (G30/G31) je nutné šroub pro nastavení minimálního průtoku přitáhnout úplně.

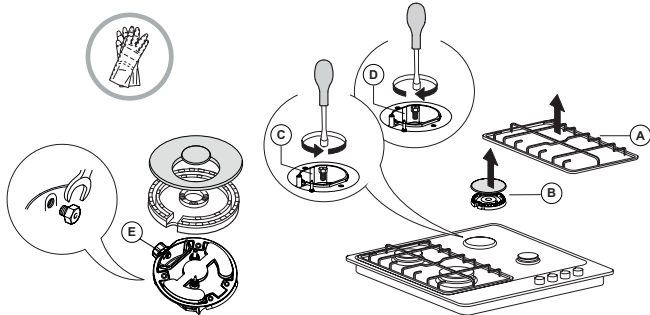
**DŮLEŽITÉ UPOZORNĚNÍ:** Pokud máte problém s otáčením některého z ovladačů, kontaktujte servisní středisko, které vám v případě zjištění závady poskytne nový kohout hořáku.

**DŮLEŽITÉ UPOZORNĚNÍ:** V případě použití tlakové lahve musí být tlaková láhev správně usazena (ve svislé poloze).

**VÝMĚNA INJEKTORŮ (viz tabulka injektorů v Bezpečnostních pokynech)**

⚠ Tento úkon musí být proveden kvalifikovaným technikem.

- Sejměte mřížky (A).
- Vyjměte hořáky (B).
- Pomocí nástřného klíče odpovídající velikosti odšroubujte injektor (C), který chcete vyměnit.
- Nahradte jej injektorem vhodným pro daný typ plynu.
- Znovu složte injektor (D).
- Pokud se jedná o hořák s více prstenci, použijte očkový klíč k výměně injektoru (E).



Před instalací varné desky nezapomeňte připevnit kalibrační štítek dodaný s injektory takovým způsobem, aby zakryl původní informace týkající se kalibrace pro plyn.

**ÚPRAVA NASTAVENÍ MINIMÁLNÍHO PRŮTOKU PLYNU**

⚠ Tento úkon musí být proveden kvalifikovaným technikem.

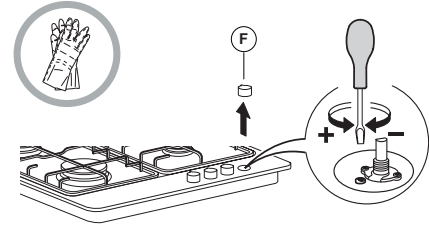
Tuto úpravu je třeba provádět, když je kohout nastaven v poloze minimálního průtoku plynu (malý plamen) ☹.

Primární přívod vzduchu k hořákům není třeba nastavovat.

Abyste zajistili správné nastavení minimální polohy, sejměte ovladač (F) a pokračujte dle následujícího postupu:

- přitáhnutím šroubu zmenšíte výšku plamene (-);
- uvolněním šroubu zvětšíte výšku plamene (+).

Nyní zapalte hořáky a otočením ovladačů od maximální polohy ☹ do minimální polohy ☹ zkontrolujte stálost plamene.



Po dokončení nastavení proveďte utěsnění pomocí pečeti vosku nebo obdobného materiálu.

**VÍCEÚROVŇOVÉ TEPELNÉ ZPRACOVÁNÍ**

ÚROVEŇ	METODA / TYP TEPELNÉ ÚPRAVY (DOPORUČENO PRO)	KUCHAŘSKÉ TIPY
1–2	UDRŽOVÁNÍ V TEPLE	Ideální pro změknutí másla, jemné rozpouštění čokolády ve vodní lázni, rozmrazování menších porcí, získání krémové konzistence u rizota.
	ÚPRAVA PŘI MÍRNÉ TEPLOTĚ	
3–4	POVAŘENÍ / MÍRNÝ VAR	Ideální pro recepty vyžadující pozvolné vaření (rýže, omáčky, pečená masa, ryby) v kapalinách (např. vodě, víně, vývaru), rozpouštění másla na těstovinách a udržování mírného varu.
	DUŠENÍ	
5–6	PEČENÍ/OPĚKÁNÍ	Ideální pro přípravu minulek, dušení zeleniny, při delší době tepelné úpravy, pro předehřev příslušenství, pro dosažení krémové konzistence.
	SMAŽENÍ	
7–8	SMAŽENÍ ZA STÁLÉHO MÍCHÁNÍ	Ideální pro opékání dozlatova, při zahájení tepelné úpravy, pro rychlé přivedení kapalin k varu, smažení hluboce zmrazených výrobků, grilování masa a ryb, udržování prudšího varu.
	GRILOVÁNÍ	
9	RYCHLÉ OHŘÁTÍ	Ideální pro rychlé zvýšení teploty pokrmu nebo ohřátí kapalin (vody).

**ÚDRŽBA A ČIŠTĚNÍ**

⚠ Odpojte spotřebič od elektrické sítě.

**ČIŠTĚNÍ POVRCHU VARNÉ DESKY**

- Veškeré smaltované a skleněné díly je třeba čistit teplou vodou a neutrálním čisticím roztokem.
- Povrch dílů z nerezové oceli může být poškozen v případě delšího kontaktu s tvrdou vodou nebo agresivními čisticími prostředky. Případné olupě potraviny (voda, omáčka, káva apod.) je třeba otřít dříve, než zaschnou.
- K čištění používejte teplou vodu s neutrálním čisticím prostředkem a k osušení použijte měkkou tkaninu. Připečené nečistoty odstraňujte čisticími prostředky speciálně určenými pro nerezovou ocel.

**POZNÁMKA: Nerezovou ocel čistěte výhradně měkkým hadříkem nebo houbičkou.**

- Nepoužívejte abrazivní ani agresivní produkty, čisticí prostředky s obsahem chloru ani drátěnky.
- Nepoužívejte parní čističe.
- Nepoužívejte hořlaviny.
- Nenechávejte na varné desce kyselé ani zásadité potraviny, jako je například ocet, hořčice, cukr nebo citronová šťáva.

**ČIŠTĚNÍ SOUČÁSTÍ VARNÉ DESKY**

- Skleněné a smaltované díly čistěte pouze měkkým hadříkem či houbičkou.
- Mřížky, krytky hořáků a hořáky samotné lze při čištění vyjmout.
- Čistěte je ručně pomocí teplé vody a neabrazivního čisticího prostředku, odstraňte veškeré zbytky potravin a zajistěte, aby žádný z průduchů hořáku nebyl ucpaný.
- Opláchněte a osušte.
- **Litínové rošty lze mýt v myčce nádobí. Před umístěním roštů do nejspodnějšího koše myčky nádobí odstraňte veškeré připáleniny.**
- Vložte hořáky a krytky hořáků patřičným způsobem do odpovídajících otvorů.
- Při pokládání mřížek zajistěte, aby byly oblasti podstavců zarovnané s hořáky.
- Modely vybavené elektrickým zapalováním a bezpečnostním prvkem vyžadují důkladné čištění koncovky zapalování, aby byl zajištěn správný provoz. Tyto součásti pravidelně kontrolujte a v případě potřeby je čistěte vlhkým hadříkem. Jakékoli připečené potraviny je třeba odstranit párátkem nebo jehlou.

**POZNÁMKA: Abyste zabránili poškození elektrického zapalovacího zařízení, nepoužívejte jej, když se hořáky nenacházejí ve svých otvorech.**

## ODSTRAŇOVÁNÍ ZÁVAD

Pokud varná deska nepracuje správně, před kontaktováním servisního střediska se pokuste určit příčinu problému podle následujících pokynů.

### 1. Hořák nelze zapálit nebo je plamen nerovnoměrný

Zkontrolujte, zda:

- dodávka plynu či elektrické energie není přerušena a obzvláště zda není uzavřen kohout přívodu plynu;
- tlaková láhev (se zkapalněným plynem) není prázdná;
- průduchy hořáku nejsou ucpány;
- koncovka elektrické zástrčky není znečištěna;
- všechny součásti hořáku jsou ve správné poloze;
- v blízkosti varné desky není průvan.

### 2. Hořák nezůstane zapálený

Zkontrolujte, zda:

- byl při zapalování hořáku ovladač stisknut dostatečně dlouho, aby došlo k aktivaci bezpečnostního prvku;
- průduchy hořáku nejsou v blízkosti termočlánku ucpány;
- zakončení bezpečnostního prvku není znečištěno;
- minimální průtok plynu je správně nastaven (viz odpovídající odstavec).

### 3. Nádoby nelze správně umístit

Zkontrolujte, zda:

- dno nádoby je zcela ploché;
- nádoba je nad hořákem umístěna na střed;
- mřížky nebyly zaměněny nebo nesprávně umístěny.

Jestliže problém přetrvává i po provedení výše uvedených kroků, kontaktujte nejbližší servisní středisko

## SERVISNÍ STŘEDISKO

Přejete-li si získat plnou podporu, zaregistrujte svůj výrobek na [www.whirlpool.eu/register](http://www.whirlpool.eu/register).

### NEŽ ZAVOLÁTE DO SERVISNÍHO STŘEDISKA POPRODEJNÍCH SLUŽEB:

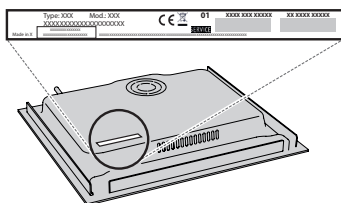
1. Ověřte si, zda nemůžete problém vyřešit sami pomocí doporučení popsaných v oddílu **ODSTRAŇOVÁNÍ ZÁVAD**.
2. Vypněte spotřebič a opět ho zapněte, abyste zjistili, zda porucha stále trvá.

### JESTLIŽE PORUCHA PŘETRVÁVÁ I PO PROVEDENÍ VÝŠE UVEDENÝCH KROKŮ, ZAVOLEJTE DO NEJBLIŽŠÍHO SERVISNÍHO STŘEDISKA.

Pro asistenční služby volejte na číslo uvedené v záruční knížce nebo postupujte podle pokynů na webových stránkách [www.whirlpool.eu](http://www.whirlpool.eu).

Pokud se obracíte na náš zákaznický poprodejní servis, vždy upřesněte:

- stručný popis poruchy;
- přesný typ a model spotřebiče;



- sériové číslo (číslo za slovem SN na typovém štítku umístěném pod spotřebičem). Sériové číslo je také uvedeno v dokumentaci;



Mod. XXX XXX

Ind.C. XXXX XXXX XXXX

Prod.N. 86999XXXXXXX S.N. XXXX XXXX XXXX

- svou úplnou adresu;
- své telefonní číslo.

Jestliže je nutná oprava, obraťte se na autorizované servisní středisko, abyste měli jistotu, že budou použity originální náhradní díly a oprava bude provedena správně).



Kompletný návod si môžete stiahnuť na <http://docs.whirlpool.eu> alebo zavolajte na telefónne číslo uvedené v záručnej knižke.

⚠ Tieto pokyny platia, ak je na spotrebiči symbol krajiny. Ak na spotrebiči symbol krajiny nie je, je potrebné sa riadiť technickými pokynmi, kde nájdete potrebný návod týkajúci sa úpravy spotrebiča na podmienky krajiny použitia.

⚠ POZOR: Pri používaní plynového sporáka vzniká v miestnosti, kde je inštalovaný, teplo, vlhkosť a produkty spaľovania. Dbajte, aby bola kuchyňa dobre vetraná, najmä keď sa spotrebič používa: nechajte prirodzené vetracie otvory otvorené alebo nainštalujte mechanické vetracie zariadenie (mechanický odsávací digestor). Dlhšie intenzívne používanie spotrebiča môže vyžadovať ďalšie vetranie, napríklad otvorením okna, alebo intenzívnejšie vetranie zvýšením úrovne mechanického vetrania, ak je nainštalované.

⚠ Ak sa nebudete presne riadiť informáciami uvedenými v tejto príručke, môže to spôsobiť požiar alebo výbuch, následkom ktorého dôjde k poškodeniu majetku alebo zraneniu osôb.

Pred použitím spotrebiča si prečítajte tieto bezpečnostné pokyny. Uchovajte ich poruke na budúce použitie.

V týchto pokynoch a na samotnom spotrebiči sú uvedené dôležité upozornenia týkajúce sa bezpečnosti, ktoré treba vždy dodržiavať. Výrobca odmieta zodpovednosť v prípade nedodržania týchto bezpečnostných pokynov, nenáležitého používania spotrebiča alebo nesprávneho nastavenia ovládania.

⚠ UPOZORNENIE: Ak je varný panel puknutý, spotrebič nepoužívajte – nebezpečenstvo zásahu elektrickým prúdom.

⚠ UPOZORNENIE: Nebezpečenstvo požiaru: Neskladujte predmety na varných povrchoch.

⚠ UPOZORNENIE: Pri varení musí byť spotrebič pod dohľadom. Pri krátkodobom varení musí byť spotrebič pod nepretržitým dohľadom.

⚠ UPOZORNENIE: Varenie na tuku alebo oleji bez dozoru môže predstavovať nebezpečenstvo a môže mať za následok vznik požiaru. NIKDY sa nepokúšajte uhasiť požiar vodou. Vypnite spotrebič a následne zakryte plameň, napr. pokrievkou alebo hasiacim rúškom.

⚠ Nepoužívajte varnú dosku ako pracovnú alebo odkladaciu plochu. Oblečenie a iné horľavé materiály uchovávajte mimo spotrebiča, kým všetky komponenty úplne nevychladnú – hrozí nebezpečenstvo vzniku požiaru.

⚠ Veľmi malé deti (0 – 3 roky) by sa nemali zdržiavať v okolí spotrebiča. Malé deti (3 – 8 rokov) nepúšťajte k spotrebiču bez dozoru. Deti od 8 rokov a osoby so zníženými fyzickými, zmyslovými a mentálnymi schopnosťami alebo s nedostatkom skúseností a znalostí môžu používať tento

spotrebič len v prípade, ak sú pod dozorom alebo dostali pokyny týkajúce sa používania spotrebiča bezpečným spôsobom a chápu hroziace nebezpečenstvá. Deti sa so spotrebičom nesmú hrať. Čistenie a údržbu nesmú vykonávať deti bez dozoru.

⚠ UPOZORNENIE: V prípade, že sa rozbije sklo na varnej doske, ihneď vypnite všetky horáky a elektrické ohrievacie teleso a spotrebič odpojte od prívodu napätia; nedotýkajte sa povrchu spotrebiča, spotrebič nepoužívajte.

Sklený kryt môže puknúť, keď sa zohreje. Pred zatvorením krytu vypnite všetky horáky a elektrické platničky. Ak sú horáky zapnuté, kryt nezatvárajte.

⚠ UPOZORNENIE: Spotrebič a jeho prístupné časti sa počas používania zahrievajú. Dávajte pozor, aby ste sa nedotkli ohrevných článkov. Nedovoľte, aby sa deti mladšie ako 8 rokov priblížili k rúre, pokiaľ nie sú nepretržite pod dozorom.

### POVOLENÉ POUŽÍVANIE

⚠ UPOZORNENIE: Spotrebič nie je určený na ovládanie externým vypínačom, ako je časovač alebo samostatný systém diaľkového ovládania.

⚠ Tento spotrebič je určený na použitie v domácnosti alebo na podobné účely ako napr.: v oblastiach kuchyniek pre personál v dielňach, kanceláriách a iných pracovných prostrediach; na farmách; pre klientov v hoteloch, motelloch, penziónoch a iných ubytovacích zariadeniach.

⚠ Nie je povolené používať ho na iné účely (napr. vykurovanie miestností).

⚠ Tento spotrebič nie je určený na profesionálne používanie. Spotrebič nepoužívajte vonku.

⚠ Používajte hrnce a panvice s rovnakým priemerom dna, ako je priemer varných zón, alebo o niečo väčším (pozrite špeciálnu tabuľku). Nedovoľte, aby hrnce na mriežkach presahovali cez okraj varnej dosky.

⚠ Nevhodné používanie mriežky môže zapríčiniť poškodenie platne sporáka: nekladte preto mriežku opačne, ani ju neposúvajte po ploche platne.

Nedovoľte, aby plameň horáka presahoval cez okraj panvice.

Ak je povrch varného panela zo skleneného materiálu, nepoužívajte liatinové rošty, keramické kamene, terakotové hrnce či panvice.

Neodporúčame Vám používať: Rozptyľovače plameňa vo forme kovovej mriežky alebo iné. Použitie dvoch horákov súčasne pre jednu oválnu nádobu (napr. na prípravu ryby).

Ak by sa horák následkom špecifických podmienok pri miestnej dodávke plynu ťažko zapaloval, odporúčame vám zopakovať uvedený postup s gombíkom otočeným do polohy malého plameňa.

V prípade inštalácie digestora nad varnú plochu, prosím, dodržiavajte pokyny o správnych vzdialenostiach.

Ochranné gumené nožičky na snímateľnej mriežke predstavujú nebezpečenstvo pre malé deti. Po odložení mriežky dbajte, aby boli všetky nožičky správne nasadené.

### INŠTALÁCIA

⚠ So spotrebičom musia manipulovať a inštalovať ho minimálne dve osoby – riziko zranenia. Pri vybalovaní a inštalovaní používajte ochranné rukavice – nebezpečenstvo porezania.

⚠ Elektrické a plynové prípojky musia vyhovovať miestnym predpisom.

⚠ Inštaláciu, vrátane prívodu vody (ak je) a elektrického zapojenia a taktiež opravy musí vykonávať kvalifikovaný

technik. Nikdy neopravujte ani nevymieňajte žiadnu časť spotrebiča, ak to nie je uvedené v návode na používanie. Nepúšťajte deti k miestu inštalácie. Po vybalení spotrebiča sa uistite, že sa počas prepravy nepoškodil. V prípade problémov sa obráťte na predajcu alebo popredajný servis. Po inštalácii treba odpad z balenia (plasty, kusy polystyrénu a pod.) uložiť mimo dosahu detí – nebezpečenstvo udusenía. Pred vykonávaním inštalčných prác musíte spotrebič odpojiť od elektrického napájania – nebezpečenstvo zásahu elektrickým prúdom. Počas inštalácie dávajte pozor, aby ste spotrebičom nepoškodili napájací kábel – nebezpečenstvo požiaru alebo zásahu elektrickým prúdom. Spotrebič zapnite až po úplnom dokončení inštalácie.

⚠ **UPOZORNENIE:** Úprava spotrebiča a spôsob jeho inštalácie sú základom bezpečného a správneho používania vo všetkých ďalších krajinách.

⚠ Použite regulátory tlaku vhodné pre tlak plynu uvedený v Pokynoch.

⚠ Miestnosť musí byť vybavená systémom odsávania vzduchu, ktorý odstráni všetky spaliny. Ten môže pozostávať z digestora alebo elektrického ventilátora, ktorý sa spustí automaticky zakaždým, keď sa zapne spotrebič.

⚠ Miestnosť musí umožňovať riadnu cirkuláciu vzduchu, pretože vzduch je potrebný pre normálne spaľovanie. Prúdenie vzduchu musí byť minimálne 2 m<sup>3</sup>/h na kW inštalovaného výkonu.

⚠ Systém cirkulácie vzduchu môže nasávať vzduch priamo zvonka cez potrubie s prierezom minimálne 100 cm<sup>2</sup>; otvor nesmie byť ohrozený žiadnym typom upchatia.

⚠ Systém môže zabezpečovať vzduch potrebný na spaľovanie aj nepriamo, t.j. zo susedných miestností vybavených potrubím na cirkuláciu vzduchu, ako je opísané vyššie. Tieto miestnosti však nesmú byť spoločenské miestnosti, spálne alebo miestnosti, ktoré môžu predstavovať riziko požiaru.

⚠ Skvapalnený plyn klesne k podlahe, pretože je ťažší ako vzduch. Preto aj miestnosti, kde sa nachádzajú fľaše s LPG, musia byť vybavené vetracími otvormi, aby v prípade netesnosti mohol plyn uniknúť. V dôsledku toho fľaše s LPG, čiastočne alebo úplne plné, sa nesmú inštalovať ani skladovať v miestnostiach alebo skladoch, ktoré sú pod zemou (pivnice a pod.). Odporúča sa uchovávať v miestnosti iba fľašu, ktorá sa používa, a umiestniť ju tak, aby nebola vystavená teplu z vonkajších zdrojov (pece, kozuby, sporáky a pod.), ktoré by mohli zvýšiť teplotu fľaše nad 50 °C.

Ak by ste mali ťažkosti s otočením gombíkov horákov, prosím, kontaktujte pracovníkov servisu, aby ventil horáka vymenili, ak je chybný.

Otvory slúžiace na vetranie a rozptýlenie tepla nesmú byť nikdy prikryté.

⚠ Pred vsadením spotrebiča do nábytkového príslušenstva urobte všetky potrebné výrezy a odstráňte drevené odrezky a piliny.

⚠ Ak spotrebič nie je inštalovaný nad rúrou, je potrebné do priehradky pod spotrebičom nainštalovať oddelovací panel (nie je priložený).

## PLYNOVÁ PRÍPOJKA

⚠ **UPOZORNENIE:** Pred inštaláciou zabezpečte, aby boli podmienky miestnej rozvodnej siete (charakter a tlak plynu) kompatibilné s nastavením spotrebiča.

⚠ Skontrolujte, či tlak dodávaného plynu vyhovuje hodnotám uvedeným v tabuľke "Špecifikácie horáka a dýzy".

⚠ **UPOZORNENIE:** Podmienky nastavenia tohto spotrebiča sú uvedené na nálepke (alebo štítku s údajmi).

⚠ **UPOZORNENIE:** Tento spotrebič nie je pripojený k zariadeniu na odvod spalín. Musí byť nainštalovaný a pripojený v súlade s platnými pravidlami na inštaláciu. Mimoriadnu pozornosť venujte príslušným požiadavkám na vetranie.

⚠ Ak je spotrebič pripojený na skvapalnený plyn, regulačná skrutka musí byť utiahnutá čo najviac.

⚠ **DÔLEŽITÉ:** Ak sa používa tlaková plynová nádoba, tlaková plynová nádoba alebo plynový zásobník musia byť správne osadené (vertikálne smerovanie).

⚠ **UPOZORNENIE:** Túto operáciu musí vykonať kvalifikovaný technik.

⚠ Pri príprave plynovej prípojky použite ohybnú alebo neohybnú kovovú rúrku.

⚠ Pripojenie s neohybnou rúrou (medenou alebo ocelovou) Pripojenie na plynovú sústavu musí byť urobené tak, aby na spotrebič nebol vynakladaný žiaden tlak. Na prírodnej rampe spotrebiča je nastaviteľná potrubná kolenová tvarovka vybavená tesnením, aby sa zabránilo úniku. Po otáčaní potrubnej tvarovky treba tesnenie vždy vymeniť (tesnenie sa dodáva so spotrebičom). Potrubná tvarovka pre prívod plynu má vonkajší 1/2-palcový závit.

⚠ Pripojenie ohybného potrubia z nehrdzavejúcej ocele bez spojov k závitovej prípojke Potrubná tvarovka pre prívod plynu má vonkajší 1/2-palcový závit. Potrubia musia byť nainštalované tak, aby pri úplnom natiahnutí nepresahovali 2 000 mm. Po pripojení sa ubezpečte, že ohybnékovové potrubie sa nedotýka žiadnych pohyblivých častí a nie je stlačené. Používajte iba potrubia a tesnenia, ktoré sú v súlade s vnútroštátnymi predpismi.

⚠ **DÔLEŽITÉ UPOZORNENIE:** Ak je použitá antikorová rúrka, musí byť nainštalovaná tak, aby sa nedotýkala žiadnej pohyblivej časti nábytku (napr. zásuvky). Musí prechádzať oblasťou, kde nie sú žiadne prekážky a kde je možné skontrolovať ju po celej jej dĺžke.

⚠ Spotrebič by mal byť pripojený k zdroju dodávky plynu alebo plynovej fľaši v súlade s aktuálnymi vnútroštátnymi predpismi. Pred pripojením sa presvedčte, či je spotrebič kompatibilný s prívodom plynu, ktorý chcete použiť. Ak nie je, postupujte podľa pokynov uvedených v odseku „Prispôsobenie iným typom plynu“.

⚠ Po pripojení k prívodu plynu vykonajte kontrolu úniku použitím mydlovej vody. Zapáľte horáky a otočte kohútiky z maximálnej polohy 1\* do minimálnej polohy 2\*, aby ste skontrolovali stabilitu plameňa.

## PRISPÔBENIE INÝM TYPOM PLYNU

(Túto činnosť musí vykonávať kvalifikovaný technik).

⚠ Aby ste prispôbili spotrebič inému typu plynu, než je ten, pre ktorý bol vyrobený (uvedený na typovom štítku), postupujte podľa krokov uvedených po inštalračných nákresoch.

## VAROVANIA PRE POUŽÍVANIE ELEKTRICKÉHO ZARIADENIA

⚠ **DÔLEŽITÉ:** Informácie o spotrebe prúdu a napätia sú uvedené na typovom štítku.

⚠ Spotrebič sa musí dať odpojiť od napájania buď vytiahnutím zástrčky, pokiaľ je ľahko dostupná, alebo prostredníctvom prístupného viacpólového prepínača nainštalovaného pred zásuvkou podľa predpisov pre domovú elektroinštaláciu, pričom musí byť spotrebič uzemnený v súlade s národnými bezpečnostnými normami pre elektrotechniku.

⚠ Prívodný elektrický kábel musí byť dostatočne dlhý, aby sa spotrebič, zabudovaný do kuchynskej linky, dal zapojiť do elektrickej siete. Neťahajte za napájací elektrický kábel.

⚠ Nepoužívajte predlžovacie káble, rozdvojky ani adaptéry. Po inštalácii spotrebiča nesmú byť jeho elektrické časti prístupné používateľom. Nepoužívajte spotrebič, ak ste mokří alebo bosí. Spotrebič neuvádzajte do činnosti, ak je poškodený napájací kábel alebo zástrčka, ak nepracuje správne, ak je poškodený alebo ak spadol.

⚠ Ak je poškodený napájací elektrický kábel, musí ho výrobca, jeho autorizovaný servis alebo podobne kvalifikovaná osoba vymeniť za identický, aby sa predišlo nebezpečenstvu zásahu elektrickým prúdom.


## ČISTENIE A ÚDRŽBA

⚠ **UPOZORNENIE:** Pred vykonávaním údržby dbajte, aby bol spotrebič vypnutý alebo odpojený od elektrického napájania; nikdy nepoužívajte zariadenie na čistenie parou – nebezpečenstvo zásahu elektrickým prúdom.

⚠ Nepoužívajte abrazívne alebo korozívne prostriedky, čističe s obsahom chlóru alebo drôtenky na panvice.

⚠ Aby ste predišli poškodeniu zariadenia elektrického zapalovania, nepoužívajte ho, keď horáky nie sú na svojich miestach.


## LIKVIDÁCIA OBALOVÝCH MATERIÁLOV

Obalové materiály sa môžu na 100 % recyklovať a sú označené symbolom recyklácie .

Rôzne časti obalu likvidujte zodpovedne, v plnom súlade s platnými miestnymi predpismi o likvidácii odpadov.

## LIKVIDÁCIA DOMÁCIH SPOTREBIČOV

Tento spotrebič je vyrobený z recyklovateľných a znovu použiteľných materiálov. Zlikvidujte ho v súlade s miestnymi predpismi o likvidácii odpadov. Podrobnejšie informácie o zaobchádzaní, obnove a recyklácii domácich spotrebičov dostanete na príslušnom miestnom úrade, v zberných strediskách alebo v obchode, kde ste spotrebič kúpili. Tento spotrebič je označený v súlade so smernicou Európskeho parlamentu a Rady 2012/19/EÚ o odpade z elektrických a elektronických zariadení (OEEZ) a s predpismi o odpade z elektrických a elektronických zariadení z r. 2013 (v platnom znení). Zabezpečením správnej likvidácie výrobu pomôžete predchádzať potenciálnym negatívnym dopadom na životné prostredie a ľudské zdravie.

Symbol  na spotrebiči alebo na sprievodných dokumentoch znamená, že s týmto výrobkom sa nesmie zaobchádzať ako s domácim odpadom, ale je potrebné odovzdať ho v zbernom dvore pre elektrické a elektronické zariadenia.

## RADY NA ÚSPORU ELEKTRICKEJ ENERGIE

Používajte hrnce a panvice, ktorých spodný priemer je rovnaký ako priemer varnej zóny.

Používajte iba panvice a hrnce s rovným dnom.

Ak je to možné, prikryte hrnce počas varenia pokrievkami.

Používajte tlakový hrniec kvôli ešte väčšej úspore energie a času.

## VYHLÁSENIE O ZHODE

Tento spotrebič spĺňa požiadavky nariadenia Komisie (EÚ) 66/2014 na ekodizajn a predpisy z roku 2019 o ekodizajne energeticky významných výrobkov a energetických informáciách (dodatok) (výstup z EÚ) v súlade s európskou normou EN 30-2-1.

Druh používaného plynu	Typ horáka	Značka vstrekovace dýzy	Menovitý tepelný výkon kW	Menovitá spotreba	Znížená tepelná kapacita kW	Tlak plynu mbar		
						min.	rat.	max.
ZEMNÝ PLYN (Metán) <b>G20</b>	Stredne rýchly (SR)	97	1,75	167 l/h	0,40	17	20	25
	Pomocný (AUX)	78 A	1,00	95 l/h	0,40			
	s dvoma prstencami (DC)	140 H3	3,50	333 l/h	2,20			
SKVAPALNENÝ ROPNÝ PLYN (Bután) <b>G30</b>	Stredne rýchly (SR)	67	1,75	127 g/h	0,40	20	30	35
	Pomocný (AUX)	50	1,00	73 g/h	0,40			
	s dvoma prstencami (DC)	94	3,50	254 g/h	2,20			
SKVAPALNENÝ ROPNÝ PLYN (Propán) <b>G31</b>	Stredne rýchly (SR)	67	1,75	125 g/h	0,40	20	30	35
	Pomocný (AUX)	50	1,00	71 g/h	0,40			
	s dvoma prstencami (DC)	94	3,50	250 g/h	2,20			

Druh používaného plynu	Konfigurácia modelu 4 HORÁKY	Menovitý tepelný príkon (kW)	Celková menovitá spotreba	Objem vzduchu (m <sup>3</sup> ) potrebný na spálenie 1m <sup>3</sup> plynu
<b>G20</b> 20 mbar	2SR - 1AUX - 1DC	8,00	762 l/h	9,52
<b>G30</b> 30 mbar	2SR - 1AUX - 1DC	8,00	581 g/h	30,94
<b>G31</b> 30 mbar	2SR - 1AUX - 1DC	8,00	571 g/h	23,80

ELEKTRICKÉ NAPÁJANIE: 220-240 V ~ 50-60 Hz - 0,6W

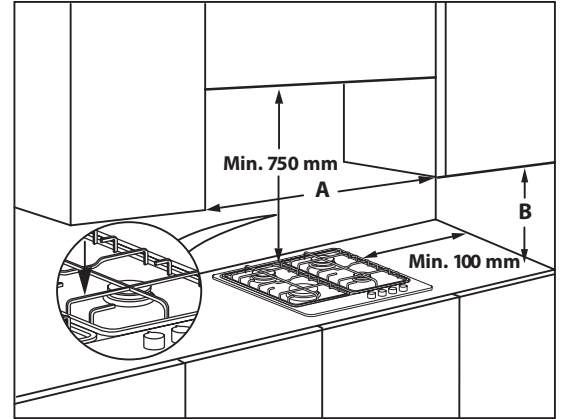
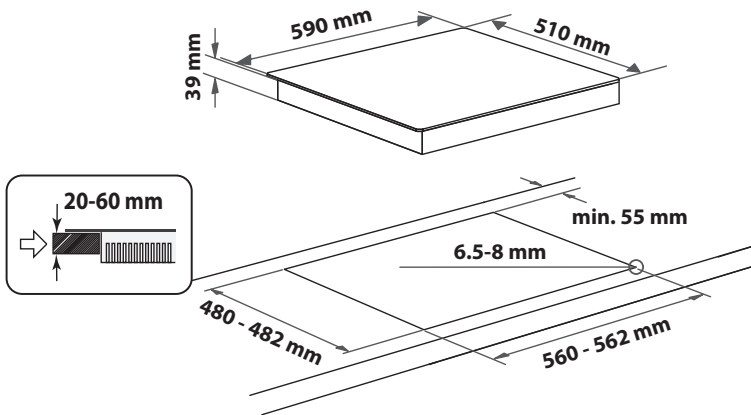


## INŠTALÁCIA (TRIEDA 3)

### TECHNICKÉ INFORMÁCIE PRE TECHNIKA VYKONÁVAJÚCEHO INŠTALÁCIU

- Pri manipulácii, príprave a inštalácii produktu používajte ochranné rukavice.
- Táto varná doska môže byť zasadená do pracovnej dosky s hrúbkou 20 až 60 mm.
- Ak pod varnou doskou nie je rúra, namontujte oddeľovací panel s minimálne rovnakou plochou ako je plocha otvoru v pracovnej ploche. Tento panel musí byť umiestnený v maximálnej vzdialenosti 150 mm pod horným povrchom pracovnej plochy, ale nikdy nie menej ako 20 mm od dna varnej dosky. V prípade, že chcete pod varnú dosku umiestniť rúru, musí byť táto rúra vybavená systémom chladenia.

### ROZMERY A VZDIALENOSTI, KTORÉ TREBA DODRŽIAVAŤ



**POZNÁMKA:** ak je vzdialenosť „A“ medzi nástennými skrinkami 600 mm až 730 mm, výška „B“ musí byť minimálne 530 mm. Ak je vzdialenosť „A“ medzi nástennými skrinkami väčšia ako šírka varnej dosky, výška „B“ musí byť minimálne 400 mm. V prípade inštalácie odsávača pár nad varnú plochu dodržiavajte pri inštalácii pokyny k odsávaču o správnych vzdialenostiach.

### MONTÁŽ

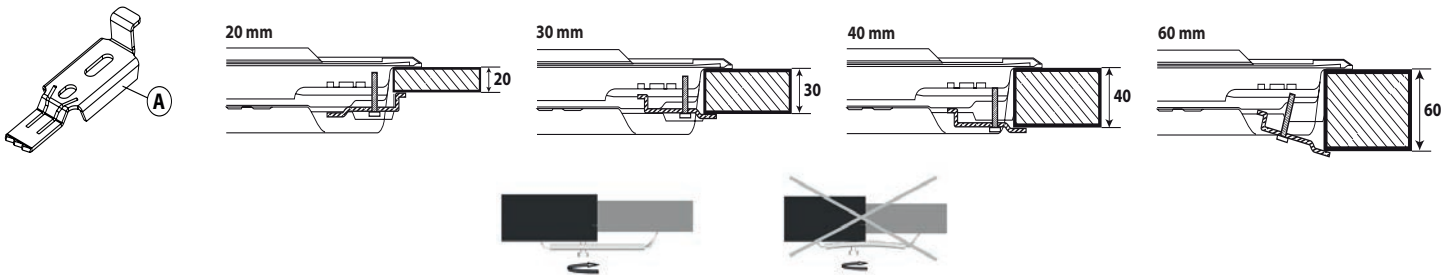
Po vyčistení povrchu obvodu namontujte dodávané tesnenie, ako je zobrazené na obrázku.

Umiestnite varnú dosku v otvore pracovnej plochy, pričom dodržiavajte rozmery uvedené v pokynoch.



**POZNÁMKA:** prívodný elektrický kábel musí mať dostatočnú dĺžku, aby bolo možné, aj po zapojení, varnú dosku vybrať z pracovnej plochy.

Na upevnenie varnej dosky použite konzoly (A) dodané s varnou doskou. Upevnite konzoly v príslušných otvoroch zobrazených šípku a upevnite ich prostredníctvom skrutiek, v závislosti od hrúbky pracovnej dosky (pozrite si nasledujúce obrázky).

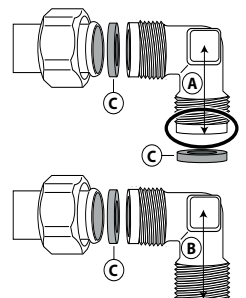


### PLYNOVÁ PRÍPOJKA

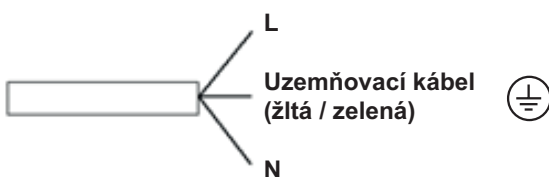
- Zapojte dodaný ohyb (A)\* alebo (B)\* ku prípojke varnej dosky, pričom vložte aj dodané tesnenie (C), v súlade s normou EN 549.

\* Ohyb (A) použite vo Francúzsku a ohyb (B) v ostatných krajinách.

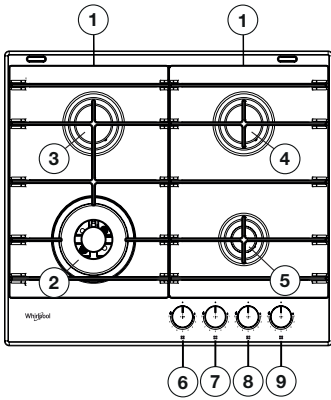
- Po pripojení k prívodu plynu vykonajte kontrolu úniku použitím mydlovej vody. Zapáľte horáky a otočte kohútiky z maximálnej polohy ☹ do minimálnej polohy ☺ by ste skontrolovali stabilitu plameňa.



### ELEKTRICKÉ PRIPOJENIE



# OPIS SPOTREBIČA



1. Snímateľná mriežka
2. Horák s dvoma prstencami
3. Stredne rýchly horák
4. Stredne rýchly horák
5. Pomocný horák
6. Ovládací gombík horáka s dvoma prstencami
7. Ovládací gombík stredne rýchle horáka
8. Ovládací gombík stredne rýchle horáka
9. Ovládací gombík pomocného horáku

## Symoly

- Plný krúžok ● Kohútik je zatvorený
- Veľký plameň 🔥 Maximálne otvorenie alebo maximálny výkon/elektrické zapálenie
- Malý plameň 🔥 Minimálne otvorenie alebo znížený prívod plynu



# KAŽDODENNÉ POUŽÍVANIE

## AKO POUŽÍVAŤ VARNÚ DOSKU

⚠ Nedovoľte, aby plameň horáka presahoval cez okraj panvice.

**DÔLEŽITÉ UPOZORNENIE:** počas používania varnej dosky sa môže rozohriať celý jej povrch.

- aby ste zapálili horáky, otočte príslušné ovládacie gombíky smerom vľavo do polohy maximálneho plameňa.
- Zatiačte gombík proti ovládaciemu panelu, aby ste horák zapálili.
- Po zapálení horáka podržte gombík stlačený ešte približne 5–10 sekúnd, aby sa zabezpečila činnosť poisťky.
- Táto poisťka zastaví unikanie plynu v prípade náhodného zhasnutia plameňa horáka (prievan, momentálne prerušenie dodávky plynu, vykypenie tekutiny na horák atď.).
- **Gombík nesmie ostať stlačený dlhšie ako 15 sekúnd. Ak po uplynutí tejto doby horák neostane horieť, počkajte aspoň jednu minútu, až potom sa pokúste horák znovu zapáliť.**

**POZNÁMKA:** ak by sa horák následkom špecifických podmienok pri miestnej dodávke plynu ťažko zapaloval, odporúčame vám zopakovať uvedený postup s gombíkom otočeným do polohy malého plameňa.

**Horák môže zhasnúť po pustení gombíka.** Znamená to, že termoelektrický článok sa nezahrial dostatočne. V tomto prípade zopakujte úkony opísané vyššie. Pri náhodnom zhasnutí plameňa otočte otočný ovládač do polohy odpovedajúcej vypnutiu a pred opätovným pokusom o jeho zapálenie vyčkajte najmenej 1 minútu.

## PRAKTICKÉ RADY PRI POUŽÍVANÍ HORÁKOV

Táto varná doska je vybavená horákmi s rôznymi priermi. Na zvýšenie výkonnosti horákov dodržiavajte nasledujúce pravidlá:

- používajte hrnce a panvice s rovnakým priemerom dna, ako je priemer varných zón, alebo o niečo väčším (pozrite tabuľku vpravo);
- používajte iba panvice a hrnce s rovným dnom;
- používajte správne množstvo vody na varenie a na hmcach používajte pokrievky;
- nedovoľte, aby hrnce na mriežkach presahovali cez okraj varnej dosky;
- v prípade panvíc s vypuklým dnom (wok) použite podpornú mriežku (nie je súčasťou dodávky), ktorú však možno umiestniť iba na viackruhový horák;
- zabráňte nárazom hrcov, mriežok alebo iného kuchynského náradia,
- nenechávajte prázdne nádoby na steaky na zapnutom sporáku dlhšie ako 5 minút.

**DÔLEŽITÉ UPOZORNENIE:** Nevhodné používanie mriežky môže zapríčiniť poškodenie platne sporáka: nekladte preto mriežku opačne, ani ju neposúvajte po ploche platne.

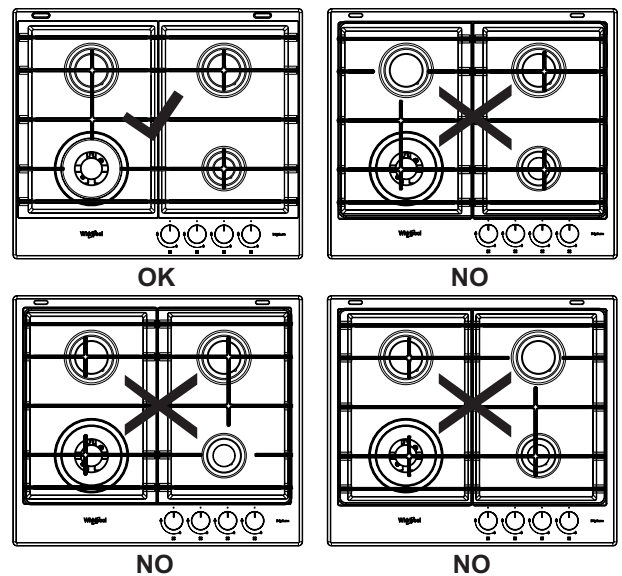
HORÁK	Ø NÁDOBY
s dvoma prstencami (DC)	24 až 26 cm
Stredne rýchly	16 až 22 cm
Pomocný	8 až 14 cm

Neodporúčame Vám používať:

- Liatinové panvice, kameninové nádoby, hlinené kastroly alebo keramické hrnce.
- Rozptyľovače plameňa vo forme kovovej mriežky alebo inej.

- Použitie dvoch horákov súčasne pre jednu oválnu nádobu (napr. na prípravu ryby).

## SPRÁVNE UMIESTNENIE MRIEŽOK



## REGULÁCIA PRE ODLIŠNÉ DRUHY PLYNU

⚠ Tento úkon musí vykonať vyškolený technik.

Ak má byť spotrebič napájaný iným plynom ako je uvedené na štítku s technickými údajmi a na informačnej nálepke umiestnenej na varnej doske, vymeňte dýzy. Odlepte informačnú nálepku a nalepte ju do návodu na použitie.

**Použite regulátory tlaku vhodné pre tlak plynu uvedený v Pokynoch:**

- Plynový vstrekovač musia vymeniť v popredajovom servise alebo to musí vykonať kvalifikovaný technik er;
- Vstrekovač sa nedodáva so spotrebičom, musíte ho objednať prostredníctvom popredajového servisu;
- Upravte minimálne nastavenie kohútov.

**POZNÁMKA:** pri používaní skvapalneného ropného plynu (G30/G31), musí byť skrutka minimálneho nastavenia plynu čo najviac zatiahnutá.

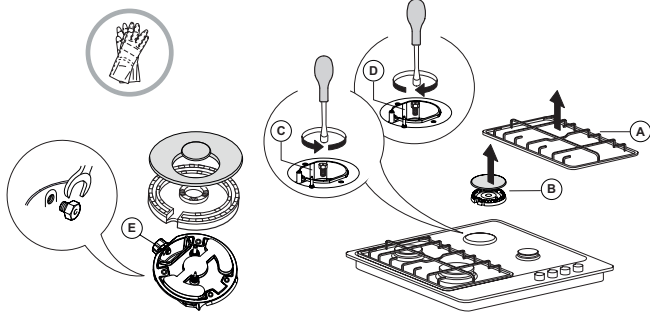
**DÔLEŽITÉ UPOZORNENIE:** ak by ste mali ťažkosti s otočením gombíkov horákov, prosím, kontaktujte pracovníkov servisu, aby ventil horáka vymenili, ak je chybný.

**DÔLEŽITÉ UPOZORNENIE:** ak sa používa tlaková plynová nádoba, tlaková plynová nádoba alebo plynový zásobník musia byť správne osadené (vertikálne smerovanie).

## VÝMENA DÝZ (pozrite tabuľku dýz v Bezpečnostných pokynoch)

⚠ Tento úkon musí vykonať vyškolený technik.

- Odstráňte mriežky (A).
- Vyberte horáky (B).
- Použitím nástrojného kľúča vhodnej veľkosti odskrutkujte dýzu (C), ktorú treba vymeniť.
- Nahradte vhodnou dýzou pre nový druh plynu.
- Znovu namontujte dýzu v (D).
- Ak máte horák so zložitou korunkou, použite pri výmene dýzy bočný objímkový kľúč (E).



Pred inštaláciou varnej dosky nezabudnite pripevniť štítok s kalibráciou plynu, ktorý sa dodáva s dýzami tak, aby zakryl existujúce informácie týkajúce sa kalibrácie plynu.

## UPRAVENIE MINIMÁLNEHO NASTAVENIA PLYNOVÝCH KOHÚTOV

⚠ Tento úkon musí vykonať vyškolený technik.

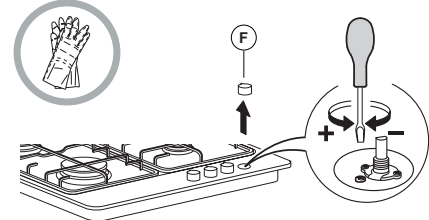
Reguláciu musíte vykonať s kohútom v polohe minimálneho nastavenia (malý plameň) ⚡.

Primárny vzduch horákov nemusíte nastavovať.

Aby ste zabezpečili správne minimálne nastavenie, odstráňte gombík (F) a postupujte ďalej takto:

- utiahnite skrutku, aby ste znížili výšku plameňa (-);
- uvoľnite skrutku, aby ste výšku plameňa zvýšili (+).

V tomto kroku zapáľte horáky a otočte gombíky z maximálnej polohy na minimálnu polohu ⚡, aby ste skontrolovali stabilitu plameňa.



Pred ukončením nastavenia znovu utesnite, použite tesniaci vosk alebo iný vhodný materiál.

## VIACÚROVŇOVÝ PLAMEŇ

ÚROVEŇ	SPÔSOB/TYP VARENIA (ODPORÚČANÉ PRE)	NIEKOĽKO RÁD PRI VARENÍ
1 – 2	UDRŽIAVANIE TEPLoty JEDLA	Ideálne na zmäkčovanie masla, jemné rozpúšťanie čokolády vo vodnom kúpeli, roztápanie malých porcií, príprava rizota.
	JEMNÉ VARENIE	
3 – 4	SLABÉ VRENIE	Ideálne pre recepty s pomalým varením (ryža, omáčky, pečené mäso, ryby) s tekutinami (napr. voda, víno, vývar) a na varenie cestovín v mlieku, udržiavanie v slabom vare.
	DUSENIE	
5 – 6	PRAŽENIE	Ideálne na rýchle o praženie, dusenie zeleniny, varenie dlhšiu dobu, predhrievanie nádob, varenie, až má jedlo krémovú konzistenciu.
	VYPRÁŽANIE	
7 – 8	SMAŽENIE S MIEŠANÍM	Ideálne na o praženie dohnedá, začiatok varenia, rýchle zovretie tekutín, vysmážanie hlboko zmrazených jedál, grilovanie mäsa a rýb, udržiavanie silného varu.
	GRILOVANIE	
9	RÝCHLY OHREV	Ideálne na rýchle zvýšenie teploty jedla alebo na zohrievanie tekutín (vody).

## ÚDRŽBA A ČISTENIE

⚠ Odpojte prístroj od elektrického napájania.

### ČISTENIE POVRCHU VARNEJ DOSKY

- Všetky smaltované a sklenené časti sa musia čistiť teplou vodou s prídavkom neutrálneho čistiaceho prostriedku.
- Na antikorových povrchoch môžu ostať škvrny vodného kameňa alebo škvrny po dlhodobom pôsobení agresívneho čistiaceho prostriedku. Ak niečo vykypelo (voda, omáčka, káva a pod.), odstráňte zvyšky ešte predtým, ako sa priškvaria.
- Povrch čistíte teplou vodou a neutrálnym čistiacim prostriedkom, potom osušte mäkkou handrou alebo jelenicou. Zapečené škvrny odstráňte špeciálnym čističom na antikorové povrchy.

**POZNÁMKA: antikorový povrch čistite výhradne mäkkou handrou alebo špongiou.**

- Nepoužívajte abrazívne alebo korozívne prostriedky, čističe s obsahom chlóru alebo drôtenky na panvice..
- Nepoužívajte spotrebiče využívajúce na čistenie paru.
- Nepoužívajte horľavé výrobky.
- Nenechajte na varnej doske pôsobiť kyselinu alebo alkalické látky, ako ocot, horčicu, soľ, cukor alebo citrónovú šťavu.

### ČISTENIE DIELCOV VARNEJ DOSKY

- Sklo a smaltované diely čistíte výlučne jemnou handričkou alebo špongiou.
- Mriežky, viečka horákov a horáky môžete pred čistením vybrať.
- Umývajte ich ručne v teplej vode a neabrazívnym čistiacim prostriedkom, pozorne odstráňte všetky zvyšky jedál a skontrolujte, či nie sú upchaté otvory horáka.
- Opláchnite a pozorne osušte.
- **Liatinové rošty možno umývať v umývačke riadu. Pred umiestnením roštov do najspodnejšieho koša umývačky riadu odstráňte všetky pripáleniny.**
- Horáky a viečka horákov vráťte na miesta.
- Pri umiestňovaní mriežok dávajte pozor, aby oblasť polohy hrcov bola zarovnaná s horákmi.
- Modely vybavené elektrickým zapalovaním a bezpečnostnou poistkou vyžadujú dokonalé očistenie zapalovania, aby bola zabezpečená ich správna činnosť. Kontrolujte tieto prvky často a podľa potreby ich čistite vlhkou handričkou. Akékoľvek zapečené zvyšky jedál treba odstrániť špáradlom alebo ihlou.

**POZNÁMKA: aby ste predišli poškodeniu zariadenia elektrického zapalovania, nepoužívajte ho, keď horáky nie sú na svojich miestach.**

## RIEŠENIE PROBLÉMOV

Ak by varná doska nefungovala správne, predtým, ako zavoláte servis, skúste problém vyriešiť pomocou príručky na odstraňovanie problémov.

### 1. Ak sa horák nedá zapáliť alebo plameň nie je rovnomerný

Skontrolujte, či:

- Dodávka plynu alebo elektriny nie je prerušená a hlavne, či je otvorený kohút plynovej prípojky.
- Je prázdna tlaková plynová nádoba (kvapalný plyn).
- Otvory horáka nie sú upchaté.
- Koncovka zapaľovania nie je špinavá.
- Všetky časti horáka sú umiestnené na svojich miestach.
- V blízkosti varnej dosky nie je prievan.

### 2. Horák prestane horieť.

Skontrolujte, či:

- Pri zapálení horáka bol gombík stlačený dosť dlho na to, aby sa aktivovalo ochranné zariadenie.
- Otvory horáka v blízkosti termoelektrického článku nie sú upchaté.
- Koncovka bezpečnostnej poistky nie je špinavá.
- Minimálne nastavenie horáka je správne (pozrite príslušnú časť).

### 3. Nádoby nie sú stabilné.

Skontrolujte, či:

- Dno nádoby je úplne ploché.
- Nádoba je v strede horáka.
- Mriežky nie sú zamenené alebo nesprávne umiestnené.

Ak po horeuvedených kontrolách porucha pretrváva, zavolajte najbližšie servisné stredisko

## PO-PREDAJNÝ SERVIS

Aby sme vám mohli lepšie poskytovať pomoc, zaregistrujte, prosím, svoj spotrebič na [www.whirlpool.eu/register](http://www.whirlpool.eu/register).

### PREDTÝM, NEŽ ZAVOLÁTE POPREDAJNÝ SERVIS:

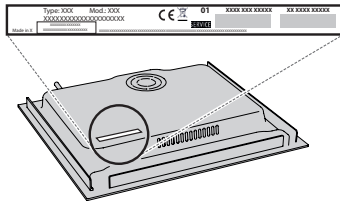
1. Zistite, či nedokázate problém vyriešiť sami s pomocou návrhov riešení uvedených v časti **RIEŠENIE PROBLÉMOV**.
2. Spotrebič vypnite a opäť zapnite, aby ste skontrolovali, či chyba pretrváva.

### AK PO KONTROLÁCH UVEDENÝCH VYŠŠIE PORUCHA NAĎALEJ PRETRVÁVA, SPOJTE SA S NAJBLIŽŠÍM AUTORIZOVANÝM SERVISNÝM STREDISKOM.

Ak potrebujete pomoc, volajte na číslo uvedené v záručnej knižke alebo postupujte podľa pokynov na webovej stránke [www.whirlpool.eu](http://www.whirlpool.eu).

Pri kontaktovaní nášho zákazníckeho popredajného servisu vždy uveďte:

- stručný opis poruchy;
- presný typ a model spotrebiča;



- sériové číslo (číslo uvedené po slove SN na výkonnostnom štítku umiestnenom pod prístrojom). Sériové číslo je tiež uvedené v dokumentácii;



Mod. XXX XXX

Ind.C. XXXX XXXX XXXX

Prod.N. 86999XXXXXXX S.N. XXXX XXXX XXXX

- vašu úplnú adresu;
- vaše telefónne číslo.

Ak je nevyhnutné spotrebič opraviť, obráťte sa na autorizované servisné stredisko (zaručí sa tým použitie originálnych náhradných dielov a správny postup pri opravě).



Töltse le a teljes útmutatót a <http://docs.whirlpool.eu> honlapról, vagy hívja fel a garancia füzetben megtalálható telefonszámot.

⚠ Jelen utasítások akkor érvényesek, ha az országjelzés a készüléken is szerepel. Ha a jelzés nem szerepel a készüléken, kövesse a műszaki utasításokat, melyek elegendő információt nyújtanak ahhoz, hogy a készüléket megfelelően átalakíthassa az adott országban történő használathoz.

⚠ VIGYÁZAT! A gázzal működő tűzhely működés közben hőt, párát és robbanásveszélyes anyagokat bocsát ki abban a helyiségben, ahol üzembe helyezték. Biztosítsa a konyha megfelelő szellőzését, különösen a készülék használata közben: hagyja nyitva a természetes szellőzőnyílásokat, vagy építsen be mechanikus elszívóberendezést (mechanikus szagelszívót). Ha a készüléket hosszabb ideig használja, további szellőztetésre lehet szükség, tehát lehet, hogy ki kell nyitnia az ablakot, vagy magasabb fokozatra kell állítania a mechanikus szagelszívót, ha van.

⚠ Ha nem tartja be pontosan az útmutató utasításait, tűz vagy robbanás keletkezhet, amely anyagi kárt vagy személyi sérülést okozhat.

A készülék használata előtt olvassa el az alábbi biztonsági útmutatót. Őrizze meg a későbbi felhasználás érdekében.

A kézikönyvben és a készüléken található fontos biztonsági figyelmeztetéseket mindig olvassa el és tartsa be. A gyártó nem vállal felelősséget a biztonsági utasítások figyelmen kívül hagyásából, a készülék nem rendeltetésszerű használatából vagy a készülék kezelőszerveinek helytelen beállításából eredő károkért.

⚠ VIGYÁZAT! Ha a főzőlap felszíne megrepedt, ne használja a készüléket – elektromos áramütés kockázata.

⚠ VIGYÁZAT! Tűzveszély: Ne tároljon semmilyen tárgyat a főzőlapon.

⚠ FIGYELEM: A főzési folyamat során ne hagyja a készüléket hosszabb időre felügyelet nélkül. Rövid főzési folyamat során a készülék folyamatos felügyelete szükséges.

⚠ VIGYÁZAT! Ha felügyelet nélkül zsírral vagy olajjal főz a főzőlapon, az veszélyes lehet, és tüzet okozhat. SOHA ne próbálja a keletkezett tüzet vízzel eloltani! Inkább kapcsolja ki a készüléket, majd takarja le a lángokat pl. egy fedővel vagy egy tűzálló ponyvával.

⚠ Ne használja a főzőlapot munkafelületként vagy támasztékként. Tűzbiztonsági okokból ne hagyjon konyharuhát vagy más gyúlékony tárgyat a készülék közelében, amíg annak minden része teljesen ki nem hűl.

⚠ Kisgyermeket (0–3 év között) ne engedjen a készülék közelébe. A 3–8 év közötti gyerekek kizárólag felnőtt felügyelete mellett tartózkodhatnak a készülék közelében. A 8 évnél idősebb gyermekek, illetve a korlátozott fizikai,

érzékelési vagy mentális képességű felnőttek, valamint a készülék használatát nem ismerő, illetve abban nem gyakorlott személyek kizárólag felügyelet mellett használhatják a készüléket, vagy csak azután, ha a készülék biztonságos használatával kapcsolatos utasításokat és a használattal járó kockázatokat megismerték. Ne engedje, hogy gyermekek játsszanak a készülékkel! A készülék tisztítását és karbantartását gyermekek kizárólag felügyelet mellett végezhetik.

⚠ VIGYÁZAT! Ha a főzőlap üvege eltörik: Azonnal kapcsolja ki az összes gázrőzsát és elektromos fűtőelemet, majd húzza ki a készüléket az elektromos hálózatból; Ne nyúljon a főzőlap felszínéhez; Ne használja a készüléket.

Az üvegburkolat eltörhet, ha felforrósodik. Kapcsolja ki az összes gázrőzsát és az elektromos főzőlapokat, mielőtt lehajtaná az üvegburkolatot. Ne hajtsa le az üvegburkolatot, amíg a gázrőzsák még égnek.

⚠ VIGYÁZAT! A készülék és annak hozzáférhető részei használat közben felforrósodnak. Ügyeljen arra, hogy ne érjen a fűtőelemekhez. A 8 évesnél fiatalabb gyermekeket távol kell tartani a készüléktől, hacsak nincsenek folyamatos felügyelet alatt.

#### RENDELTESSZERŰ HASZNÁLAT

⚠ VIGYÁZAT! A készüléket nem lehet külső kapcsolószerkezettel (pl. időzítő) vagy távirányítóval használni.

⚠ A készüléket háztartási célra és ahhoz hasonló célú felhasználásra tervezték, mint például: munkahelyi konyha boltokban, irodákban és más munkahelyeken; tanyán; szállodák, motelek, reggelit és szobát kínáló és egyéb szálláshelyek vendégei számára.

⚠ Egyéb célra történő használata tilos (pl. helyiség fűtése).

⚠ A készüléket nem ipari felhasználásra tervezték. Ne használja a készüléket a szabadban.

⚠ Olyan edényeket használjon, amelyek aljának átmérője a gázrőzsák méretével azonos vagy annál kissé nagyobb (lásd vonatkozó táblázat). Ügyeljen arra, hogy a rácsokra helyezett edények ne nyúljanak túl a tűzhelylap szélén.

⚠ A rácsok helytelen használata károsíthatja a készüléket: ne használja a rácsokat fordítva, és ne húzza őket a főzőlapon.

Ne hagyja, hogy a gázrőzsa lángja továbbérjen az edény szélénél.

Ha a főzőlap felülete üveg, ne használjon öntöttvas serpenyőket, római tálakat, terrakottaedényeket.

Ne használja a következőket: hőelosztó eszközöket, például fémhálót vagy bármilyen más hálót; egy edényhez (pl. hosszúkás halsütő edény) egyszerre két gázrőzsát.

Ha a gázszolgáltatás helyi körülményei miatt a gázrőzsák begyűjtása nehézkes, javasoljuk, hogy próbálja újra úgy, hogy közben a gázrőzsát a legkisebb lángra állítja.

Ha a főzőlap fölé elszívóberendezést szerel, kövesse az elszívóhoz mellékelt utasításokat az üzembe helyezéshez.

A rácsok védőgumitalpait kisgyermekesetleg lenyelhetik, így fulladásveszélyt jelentenek. A rácsok levétele után ellenőrizze, hogy a gumitalpak megfelelően vannak-e rögzítve.

## ÜZEMBE HELYEZÉS

⚠ A készülék mozgatását és üzembe helyezését a sérülésveszély csökkentése érdekében két vagy több személy végezze. Viseljen védőkesztyűt a készülék kicsomagolása és üzembe helyezése során, nehogy megvágja magát.

⚠ A elektromos és gázbekötéseket a helyi előírásoknak megfelelően kell elvégezni.

⚠ A készülék üzembe helyezését és javítását, a vízbekötést (ha van) és az elektromos csatlakoztatást is beleértve, kizárólag képzett szakember végezheti. Csak akkor javítsa meg vagy cserélje ki a készülék egyes alkatrészeit, ha az adott művelet szerepel a felhasználói kézikönyvben. Ne engedje a gyermekeket abba a helyiségbe, ahol az üzembe helyezést végzi. A készülék kicsomagolása után ellenőrizze, hogy a szállítás során nem sérült-e meg. Probléma esetén vegye fel a kapcsolatot a kereskedővel vagy a legközelebbi vevőszolgálattal. Üzembe helyezés után a csomagolóanyagokat (műanyag, habszivacs stb.) az esetleges fulladásveszély miatt olyan helyen tárolja, vagy úgy dobja ki, hogy a gyermekek ne férhessenek hozzá. Az áramütés elkerülése érdekében az üzembe helyezési műveletek előtt húzza ki a készülék hálózati csatlakozóját. Az áramütés elkerülése érdekében az üzembe helyezés során győződjön meg arról, hogy a készülék miatt nem sérül-e a hálózati tápkábel. A készüléket csak a megfelelő üzembe helyezést követően kapcsolja be.

⚠ **VIGYÁZAT!** A készülék adott országnak megfelelő módosítása és az üzembe helyezés módja alapvető fontosságú a készülék biztonságos használat szempontjából.

⚠ A nyomásszabályzók segítségével állítsa be az utasításban jelzett gáznyomást.

⚠ A helyiségben légelszívó berendezést kell elhelyezni a használat során keletkező robbanásveszélyes gázok elvezetéséhez. Erre a célra egy elektromos ventilátorral ellátott szagelszívó is megfelel, amely minden alkalommal automatikusan bekapcsol, amikor a főzőlapot bekapcsolják.

⚠ Biztosítani kell továbbá a helyiségben a szabad légáramlást, mivel a gáz normál égéséhez levegőre van szükség. A légáramlásnak minden kW teljesítményre legalább 2 m<sup>3</sup>/h-nak kell lenni.

⚠ A szellőzőrendszer közvetlenül a szabadból szívhat be levegőt egy minimum 100 cm<sup>2</sup> belső átmérőjű csövön keresztül; a kinti nyílást védeni kell az eltömődéstől.

⚠ A rendszer a gáz égéséhez szükséges levegőt akár közvetlenül is szolgáltathatja, azaz a lakás más helyiségeiből átvezetett szellőzőcsövek révén. Viszont ilyen esetben ezek a helyiségek nem lehetnek közös helyiségek, hálószobák vagy tűzveszélyes helyiségek.

⚠ Mivel a PB-gáz nehezebb a levegőnél, lesüllyed a padlószintre. Ezért ha gázpalackról oldják meg a gázellátást, a helyiségben biztosítani kell egy padlón kialakított, alsó szellőzőt is, hogy gázszivárgás esetén a

gáz távozni tudjon. Ezért a teljesen vagy részben feltöltött gázpalackot nem szabad a talajszintnél alacsonyabb helyiségekben (pince stb.) üzembe helyezni vagy tárolni. Javasoljuk, hogy kizárólag az éppen használt gázpalackot tartsa a helyiségben, és úgy helyezze el, hogy külső hőforrásoktól távol legyen (sütők, kandallók, tűzhelyek stb.), így azok ne emelhessék a palack hőmérsékletét 50 °C fölé.

Ha a szabályzó gombokat nehezen lehet elforgatni, hívja az ügyfélszolgálatot, mert lehet, hogy a gombok cseréjére van szükség.

A szellőző- és hőelosztó nyílásokat soha ne fedje le.

⚠ Végezzen el minden asztalosmunkát a bútoron, és gondosan távolítsa el minden faforgácsot és fűrészport, mielőtt a készüléket a befoglaló egységbe szerelné.

⚠ Ha a készüléket nem egy sütő fölé szereli be, tegyen egy elválasztó panelt (nem tartozék) az alsó konyhaszekrény és a főzőlap közé.

## GÁZCSATLAKOZÁS

⚠ **VIGYÁZAT!** Üzembe helyezés előtt győződjön meg arról, hogy a helyi gázhálózat jellemzői (gáztípus és gáznyomás) megfelelnek a készülék beállításainak.

⚠ Ellenőrizze, hogy a gázellátás megfelel-e az „Ellenőrzés és fűvókák műszaki adatai” táblázat „Gázrészletek és fűvókák műszaki adatai” adatainak.

⚠ **VIGYÁZAT!** A készülék konfigurációs feltételei a címkén (vagy adattáblán) találhatóak.

⚠ **VIGYÁZAT!** A készülék nincs felszerelve a robbanásveszélyes gázok elvezetésére szolgáló berendezéssel. A készüléket a hatályos üzembe helyezési előírásoknak megfelelően kell üzembe helyezni. Különösen fontos a vonatkozó, szellőzéssel kapcsolatos előírások pontos betartása.

⚠ Ha a készüléket folyékony gázra csatlakoztatják, a szabályzócsavart a lehető legszorosabban meg kell húzni.

⚠ **FONTOS:** Ha a készüléket gázpalackról üzemeltetik, a palackot megfelelően kell elhelyezni (függőlegesen).

⚠ **VIGYÁZAT!** Ezt a műveletet csak szakképzett szerelő végezheti.

⚠ A gázcsatlakozáshoz csak rugalmas vagy merev fémcsövet használjon.

⚠ Csatlakoztatás merev csőre (réz vagy acél): A gázellátáshoz történő csatlakoztatást úgy kell elvégezni, hogy az semmilyen megterhelésnek ne tegye ki a készüléket, tehát a csatlakozás ne feszüljön. A készülék bemeneti nyílására csatlakozó, L-alakú cső állítható, és egy tömítéssel is fel van szerelve a szivárgás megelőzése érdekében. A tömítést minden alkalommal ki kell cserélni, miután a csőszerelvényt elforgatják (a tömítés a készülék tartozékai között található). A gázellátást biztosító cső egy menetes, 1/2-es, henger alakú cső, apa csatlakozóval.

⚠ Csatlakoztatás hajlékony, illesztékmentes acélcsővel a menetes csatlakozóvégre: A gázellátást biztosító cső egy menetes, 1/2-es, henger alakú cső, apa csatlakozóval. Az ilyen csöveket mindig úgy kell felszerelni, hogy azok teljesen kinyújtva soha ne legyenek hosszabbak 2000 mm-nél. A csatlakoztatás elvégzése után győződjön meg róla, hogy a hajlékony fémcső nem ér hozzá

semmilyen mozgó alkatrészhez és nincs összeszorítva. Kizárólag az adott országban hatályos előírásoknak megfelelő csöveket és tömítéseket használjon.

**⚠ FONTOS:** Ha acéltömlőt használ, úgy szerelje be, hogy az ne érjen hozzá a bútorzat mozdítható elemeihez (pl. fiókok). Olyan helyen kell a tömlőt átvezetni, ahol az semmilyen akadályba nem ütközik, és ahol a tömlőt teljes hosszában meg lehet vizsgálni szükség esetén.

**⚠ A készüléket az adott országban hatályos előírásoknak megfelelő módon kell a hálózati gázellátásra vagy a gázpalackra csatlakoztatni. A csatlakoztatás elvégzése előtt győződjön meg róla, hogy a készülék kompatibilis-e a használni kívánt gázellátással. Ha nem, kövesse a „Különböző fajta gázok használata” c. bekezdés utasításait.**

**⚠ Miután csatlakoztatta a gázhálózathoz, szappanos vízzel ellenőrizze, nincs-e szivárgás valahol. Gyűjtsa be a gázrőzsákat, majd forgassa a gombokat nagy lángról (1. állás) kis lángra (2. állás), hogy ellenőrizze a láng stabilitását.**

### **KÜLÖNBÖZŐ FAJTA GÁZOK HASZNÁLATA**

(Ezt a műveletet csak szakképzett szerelő végezheti).

**⚠** Annak érdekében, hogy a készüléket az eredetileg tervezett (lásd adattáblázat) gázoktól eltérő típusú gázokhoz is használni lehessen, kövesse az üzembe helyezési ábrákon bemutatott lépéseket.

### **ELEKTROMOS ÁRAMMAL KAPCSOLATOS FIGYELMEZTETÉSEK**

**⚠ FONTOS:** A készülék feszültség- és teljesítményadatait az adattábla tartalmazza.

**⚠ A csatlakoztatási szabályok szerint a tápkábelt jól hozzáférhetően kell elhelyezni úgy, hogy szükség esetén a készüléket ki lehessen húzni a hálózati áramforrásból, vagy egy többpólusú kapcsolóval azonnal le lehessen választani a hálózatról. A készüléket továbbá földelni kell az adott országban hatályos elektromos biztonsági szabványnak megfelelően.**

**⚠ A tápkábelnek elég hosszúnak kell lennie ahhoz, hogy a házba beszerelt készülék csatlakoztatható legyen a hálózati aljzathoz. Ne húzza meg a tápkábelt.**

**⚠ Ne használjon hosszabbítót, többcsatlakozós dugaljat vagy adaptert. Az elektromos alkatrészek nem lehetnek hozzáférhetőek az üzembe helyezés után. Ne használja a készüléket meztláb, és ne nyúljon hozzá nedves kézzel. Ne használja a készüléket, ha a tápkábel vagy a csatlakozódugó sérült, illetve ha a készülék nem működik megfelelően, megsérült vagy leejtették.**

**⚠ Ha a hálózati kábel sérült, azt az áramütési kockázat elkerülése érdekében a gyártóval, a gyártó szervizképviselőjével vagy hasonlóan képzett személlyel kell egy azonos kábelre kicseréltetni.**


### **TISZTÍTÁS ÉS KARBANTARTÁS**

**⚠ VIGYÁZAT!** Bármilyen karbantartási művelet előtt győződjön meg arról, hogy a készüléket kikapcsolta és kihúzta a konnektorból. Az áramütés elkerülése érdekében soha ne használjon gőznyomással működő tisztítókészüléket.

**⚠ Ne használjon súroló- vagy korrozív szereket, klóros tisztítószereket vagy dörzsszivacsot.**

**⚠ Az elektromos szikragyújtó berendezés sérülésének elkerülése érdekében ne használja a berendezést, ha a gázrőzsák nincsenek a helyükön.**

### **A CSOMAGOLÓANYAGOK HULLADÉKELHELYEZÉSE**


A csomagolóanyagok 100%-ban újrahasznosíthatók, és el vannak látva az újrahasznosítás jelével: 

Ezért a csomagolás különböző részeit felelősen és környezettudatosan, a helyi előírásoknak megfelelően kell hulladékként elhelyezni.

### **HÁZTARTÁSI KÉSZÜLÉKEK LESELEJTÉSE**

Ez a készülék újrahasznosítható vagy újrafelhasználható anyagok felhasználásával készült. A készüléket a helyi hulladékkezelési szabályoknak megfelelően selejtezze le. Az elektromos háztartási készülékek kezelésére, hasznosítására és újrafeldolgozására vonatkozó további információkért forduljon az illetékes helyi hatósághoz, a háztartási hulladékok begyűjtését végző vállalathoz vagy az üzlethez, ahol a készüléket vásárolta. Ez a berendezés az elektromos és elektronikus berendezések hulladékairól szóló 2012/19/EU irányelvnek, illetve az elektromos és elektronikus berendezések hulladékairól szóló 2013. évi (módosított) előírásoknak megfelelően került megjelölésre.

A hulladékká vált termék szabályszerű elhelyezésével Ön segít elkerülni a környezettel és az emberi egészséggel kapcsolatos negatív következményeket.

A terméken vagy a kísérő dokumentumokon található  jel azt jelzi, hogy a készüléket nem szabad háztartási hulladékként kezelni, hanem az elektromos és elektronikai készülékeknek megfelelő gyűjtőhelyen kell leadni.

### **ENERGIATAKARÉKOSÁGI TANÁCSOK**

Olyan edényeket használjon, amelyek aljának mérete megegyezik a főzőzóna méretével.

Kizárólag lapos aljú edényeket használjon.

Ha lehetséges, a főzés során fedje le az edényeket.

Az energia- és időmegtakarítás érdekében használjon kuktát.

### **MEGFELELŐSÉGI NYILATKOZAT**

A környezettudatos tervezésre vonatkozó 66/2014/EU rendelet irányelveinek, valamint a környezettudatos tervezésre és energiacímkezésre vonatkozó (módosított) (EU Exit) 2019-es rendelet irányelveinek, az EN 30-2-1 európai szabvánnyal összhangban.

Használt gáz típusa	Gáزرózsza típusa	A befecskendő jelölése	Névleges termikus áram kW	Névleges fogyasztás	Csökkentett hőkapacitás kW	Gáznyomás mbar		
						min.	névl.	max.
FÖLDGÁZ (Metán) <b>G20</b>	Közepes (SR)	92	1,75	167 l/óra	0,40	20	25	33
	Kiegészítő (AUX)	74 A	1,00	95 l/óra	0,40			
	2 gyűrűs(DC)	132 H3	3,50	333 l/óra	2,20			
FÖLDGÁZ <b>G25.1</b>	Közepes (SR)	102 A	1,75	194 l/óra	0,40	18	25	33
	Kiegészítő (AUX)	81	1,00	111 l/óra	0,40			
	2 gyűrűs(DC)	140 F3	3,30	365 l/óra	2,20			
FOLYÉKONY GÁZ (Bután) <b>G30</b>	Közepes (SR)	67	1,75	127 g/óra	0,40	20	30	35
	Kiegészítő (AUX)	50	1,00	73 g/óra	0,40			
	2 gyűrűs(DC)	94	3,50	254 g/óra	2,20			
FOLYÉKONY GÁZ (Propán) <b>G31</b>	Közepes (SR)	67	1,75	125 g/óra	0,40	20	30	35
	Kiegészítő (AUX)	50	1,00	71 g/óra	0,40			
	2 gyűrűs(DC)	94	3,50	250 g/óra	2,20			

Használt gáz típusa	Kivitel 4 ÉGŐFEJ	Névleges áramlási sebesség (kW)	Teljes névleges fogyasztás	1m <sup>3</sup> gáz elégetéséhez szükséges levegő (m <sup>3</sup> )
<b>G20</b> 25 mbar	2SR - 1AUX - 1DC	8,00	762 l/óra	9,52
<b>G25.1</b> 25 mbar	2SR - 1AUX - 1DC	7,80	863 l/óra	8,187
<b>G30</b> 30 mbar	2SR - 1AUX - 1DC	8,00	581 g/óra	30,94
<b>G31</b> 30 mbar	2SR - 1AUX - 1DC	8,00	571 g/óra	23,80

**ELEKTROMOS HÁLÓZAT: 220-240 V ~ 50-60 Hz - 0,6W**

\*Amennyiben a készüléket Magyarországon szeretné használni, a már összeszerelt fűvókákat (G20 - 20 mbar) a magyarországi szabályozásoknak megfelelően kell kicserélni, erről a Felhasználó útmutatóban tájékozódhat. A fűvókacserét szakembernek kell végeznie. A Készülékhez Nem Mellékelt Befecskendezők A Vevőszolgálattól Kell Rendelni.

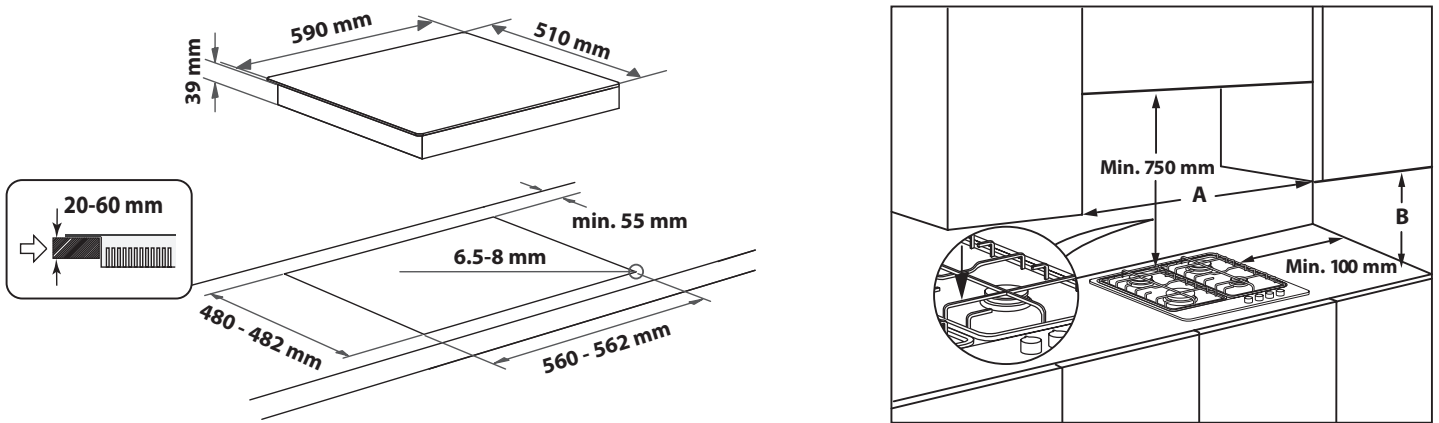


## BESZERELÉS (3. OSZTÁLY)

### MŰSZAKI INFORMÁCIÓK A BESZERELÉST VÉGZŐ SZAKEMBER SZÁMÁRA

- A termék kezelése, illetve beszerelése során használjon védőkesztyűt.
- A terméket 20–60 mm vastag munkalapba lehet beépíteni.
- Ha nem szerel be sütőt a főzőlap alá, illesszen be egy elválasztólapot, amely legalább akkora felületű, mint a kivágott munkalap felülete. A lapot maximum 150 mm-rel a felső munkalap alá kell beszerelni úgy, hogy ne legyen 20 mm-nél tovább a főzőlap aljától. Ha sütőt is szeretne beszerelni a főzőlap alá, olyat válasszon, amely hűtőrendszerrel is el van látva.

### MÉRETEK ÉS TÁVOLSÁGOK, AMELYEKET BE KELL TARTANI



**MEGJEGYZÉS:** ha a faliszekrényektől mért „A” távolság 600 mm és 730 mm között van, akkor a „B” magasságnak legalább 530mm-nek kell lennie.

Ha a faliszekrényektől mért „A” távolság nagyobb, mint a főzőfelület szélessége, akkor a „B” magasságnak legalább 400mm-nek kell lennie. Ha elszívót is szerel a főzőlap fölé, a megfelelő beszerelési távolságokkal kapcsolatban tekintse meg az elszívó útmutatóját.

### ÖSSZESZERELÉS

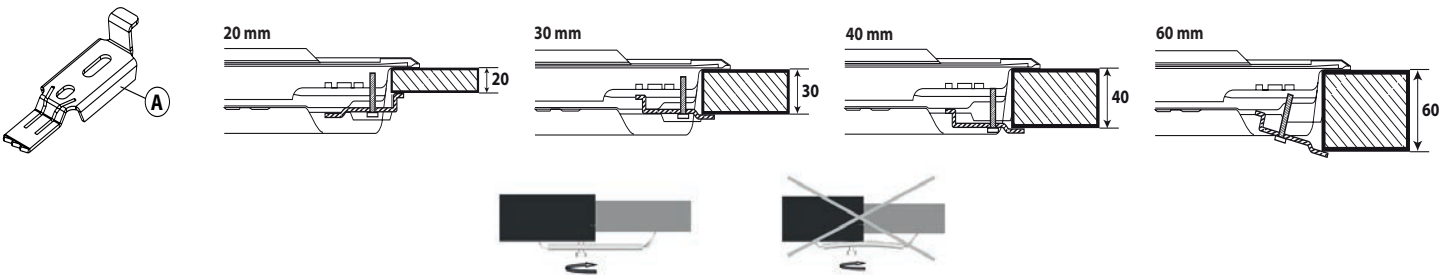
A kerületi felület megtisztítása után illessze a mellékelt tömitést a főzőlapra az ábrán látható módon.

Helyezze a főzőlapot a munkafelületen kialakított nyílásba. Ügyeljen az utasításokban megadott méretekre.



**MEGJEGYZÉS:** a tápkábelnek elég hosszúnak kell lennie ahhoz, hogy ki lehessen húzni felülről.

A főzőlap rögzítéséhez használja a mellékelt rögzítőszerelvényeket (A). Illessze a rögzítőszerelvényeket a nyílak által jelzett megfelelő furatokba, majd rögzítse őket a csavarokkal a munkalap vastagságának megfelelően (lásd a következő ábrákat).

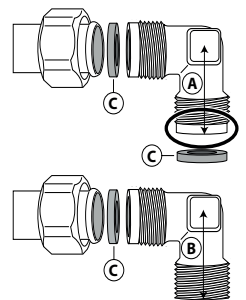


### GÁZCSATLAKOZÁS

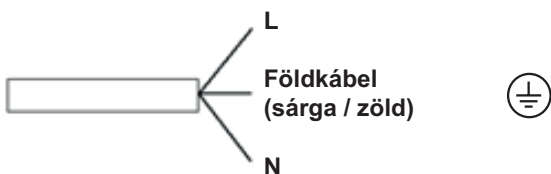
- Az EN 549 előírásainak megfelelően csatlakoztassa a mellékelt derékszögű csatlakozót (A)\* vagy (B)\* a fő bemeneti csőhöz, és helyezze be a mellékelt alátétet (C).

\* Franciaországban az (A) derékszögű csatlakozó, a többi országban a (B) derékszögű csatlakozó használatos.

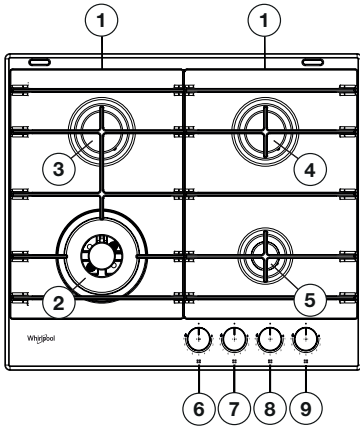
- Miután csatlakoztatta a gázhálózathoz, szappanos vízzel ellenőrizze, nincs-e szivárgás valahol. Gyűjtsa be a gázrőzsákat, majd a gombokat a maximumról ↻ a minimumra ↻ forgatva ellenőrizze a láng stabilitását.



### ELEKTROMOS CSATLAKOZTATÁS



# TERMÉKLEÍRÁS



1. Eltávolítható edénytartó rácsok
2. 2 gyűrűs gáزرőzsa
3. Közepes gáزرőzsa
4. Közepes gáزرőzsa
5. Kiegészítő gáزرőzsa
6. A 2 gyűrűs gáزرőzsa szabályozógombja
7. A közepes gáزرőzsa szabályozógombja
8. A közepes gáزرőzsa szabályozógombja
9. A kiegészítő gáزرőzsa szabályozógombja

## Szimbólumok

- Árnyékolt kör ● Csap zárva  
 Nagy láng Maximális fokozat/adagolás és szikragyújtás  
 Kis láng Minimális fokozat vagy csökkentett adagolás

## NAPI HASZNÁLAT

### A FŐZŐLAP HASZNÁLATA

Ne hagyja, hogy a gáزرőzsa lángja tovább érjen az edény szélénél.

**FONTOS!** a főzőlap működésekor a főzőlap teljes felülete meleggé válhat.

- Egy gáزرőzsa meggyújtásához fordítsa el a megfelelő gombot az óramutató járásával ellentétes irányba a maximális láng beállításig.
- Nyomja be a gombot a vezérlőpanel felé.
- Miután a gáزرőzsa begyullad, tartsa nyomva a gombot körülbelül 5–10 másodpercig a megfelelő működés érdekében.
- A gáزرőzsa biztonsági eszköze elzárja a rőzsa gázellátását, ha a láng véletlenül megszűnik (huzat, kiömlő folyadék, a gázszolgáltatásban bekövetkező zavar stb. miatt).
- A gombot nem szabad 15 másodpercnél tovább benyomva tartani. Ha ez az idő eltelt, és a gáزرőzsa nem marad égve, várjon legalább egy percet, majd próbálja meggyújtani újra.

**MEGJEGYZÉS:** ha esetleg a helyi gázszolgáltatási körülmények miatt nehézségekbe ütközik a gáزرőzsa begyújtása, próbálja begyújtani úgy, hogy kis lángra állítja a gombot.

**Elképzelhető, hogy a gáزرőzsa kialszik, amikor elengedi a gombot.** Ez azt jelenti, hogy a biztonsági eszköz még nem melegedett be kellőképpen. Ebben az esetben ismételje meg a fenti lépéseket.

A gázégő lángjának véletlen kialvása esetén forgassa kikapcsolt helyzetbe a tekerőgombot, majd 1 perc elteltével próbálkozzon meg az újragyújtással.

### A GÁZERŐZSÁKKAL KAPCSOLATOS GYAKORLATI TANÁCSOK

A gázerőzsák átmérője különböző. A jobb teljesítmény érdekében tartsa be az alábbi szabályokat:

- olyan lábasokat és serpenyőket használjon, amelyek ugyanakkorák vagy kicsit nagyobbak, mint a gázerőzsák (lásd a jobb oldali táblázatot);
- csak lapos fenekű lábasokat és serpenyőket használjon;
- az ételkészítéshez megfelelő mennyiségű vizet használjon, és fedje le a lábást;
- a lábasok ne érjenek túl a főzőlap szélén;
- ha olyan serpenyőt használ, amelynek nem teljesen lapos az alja (pl. wok), használja a kiegészítő rácsot (nincs a csomagban), amelyet a többgyűrűs gázerőzsára kell helyezni;
- kerülje az edényekhez, rácsokhoz vagy egyéb konyhai eszközökhöz való ütközést;
- ne hagyja 5 percnél tovább az üres rostélyokat az égő tűzhelyen.

**FONTOS!** a rácsok nem megfelelő használata sérülést okozhat a főzőlapon: ne használja a rácsokat fordítva, és ne húzza őket a főzőlapon.

GÁZERŐZSA	EDÉNY Ø
2 gyűrűs	24 - 26 cm
Közepes	16 - 22 cm
Kiegészítő	8 - 14 cm

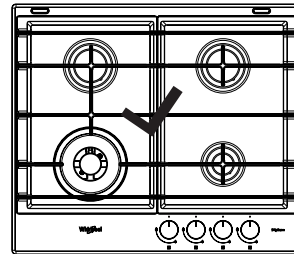
Ne használja a következőket:

- öntöttvas serpenyőket, római tálakat, terrakottaedényeket;
- hőelosztó eszközöket, például fémhálót vagy bármilyen más hálót;

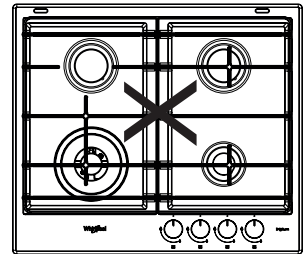
- két gázerőzsát egyidejűleg egy edényhez (pl. halfőző edény).

A forró főzőlapra kerülő folyadék következtében az üveg megsérülhet.

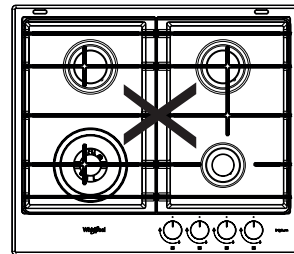
### HELYES ELHELYEZÉSE RÁCSOK



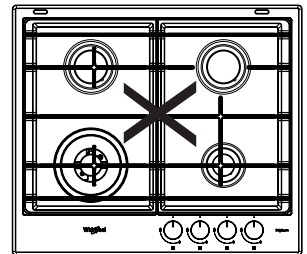
OK



NO



NO



NO

### KOMPATIBILITÁS KÜLÖNBÖZŐ FAJTA GÁZOKKAL

Ezt a műveletet villanyszerelőnek kell végeznie.

Ha a készüléket az adattáblán és a főzőlap tetején található tájékoztatócímkén feltüntetett gáztípustól eltérő gázzal szeretné használni, cserélje ki a befecskendezőt.

Távolítsa el a tájékoztatócímkét, és őrizze meg a kézikönyvvel együtt.

**Az útmutatóban megjelölt gáznyomáshoz megfelelő nyomásszabályozókat használjon:**

- A gázbefecskendezőt csak a hivatalos szervizzel vagy más szakemberrel szabad cseréltetni;
- A készülékhez nem mellékelte befecskendezőt a vevőszolgálatától kell rendelni;
- Állítsa a csapokat a minimális értékre.

**MEGJEGYZÉS:** folyékony petróleumgáz esetén (G30/G31) a minimális gázbeállítás csavarját addig kell meghúzni, amíg csak lehet.

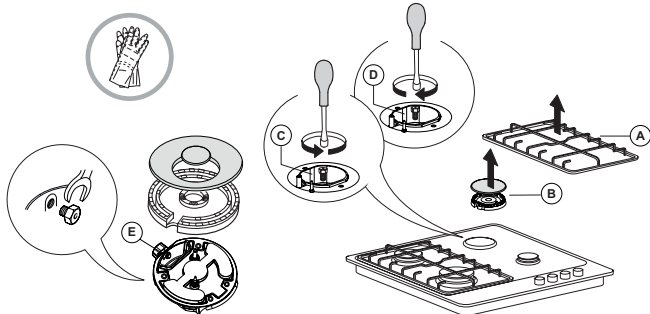
**FONTOS!** ha nehézségekbe ütközik a gázerőzsák gombjainak működtetése közben, vegye fel a kapcsolatot a vevőszolgálattal, és amennyiben a gázerőzsa csapja hibásnak bizonyul, rendeljen újat.

**FONTOS!** Ha gázpalackot használ, a palackot megfelelően kell beállítani (függőleges helyzetben).

**A BEFECSKENDEZŐK CSERÉJE (lásd az befecskendezők ről szóló táblázatot az Biztonsági utasítások)**

⚠ Ezt a műveletet villanszerelőnek kell végeznie.

- Távolítsa el a rácsokat (A).
- Vegye ki a gázrőzsákat (B).
- Egy megfelelő méretű csókulcs használatával csavarozza ki a kicserélendő befecskendezőt (C).
- Illessze be a gáztípusnak megfelelő befecskendezőt.
- Szerelje be a befecskendezőt (D).
- Ha többszörös gázrőzsát használ, befecskendezőt (E) kicseréléséhez használjon villaskulcsot.



A főzőlap beszerelése előtt rögzítse a befecskendezőhöz mellékelt gázkalibrációs lemezt úgy, hogy lefedi a gázkalibrálással kapcsolatos már meglévő információkat.

**A CSAPOK MINIMÁLIS GÁZBEÁLLÍTÁSA**

⚠ Ezt a műveletet villanszerelőnek kell végeznie.

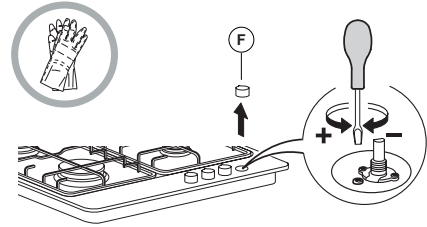
A beállítást úgy kell elvégezni, hogy a csap a minimális gázbeállításon legyen (kis láng) ⚡.

A gázrőzsák elsődleges levegőjét nem kell beállítani.

A megfelelő beállítás érdekében távolítsa el a gombot (F), és tegye a következőket:

- húzza meg a csavart a lángmagasság csökkentése érdekében (-);
- lazítsa meg a csavart a lángmagasság növelése érdekében (+).

Ezen a ponton, kapcsolja be a gázrőzsákat, forgassa a gombokat a maximumból ⚡ a minimumra ⚡, hogy ellenőrizni tudja a láng stabilitását.



A beállítás végeztével tömítsen újra tömítőviasszal vagy azzal egyenértékű anyaggal.

**TÖBB FOKOZATÚ LÁNG**

SZINT	ÉTELKÉSZÍTÉSI MÓD (A KÖVETKEZŐKHOZ AJÁNLOTT)	ÉTELKÉSZÍTÉSI TANÁCSOK
1-2	MELEGEN TARTÁS	Ideális vaj lágyításához, csokoládé óvatos olvasztásához vízgőz felett, kis adagok kiolvasztásához, rizottó krémesre főzéséhez.
	KÍMÉLETES FŐZÉS	
3-4	GYÖNGYÖZTETÉS	Ideális lassú főzéshez (rizs, mártások, sülték, hal) kísérő folyadékokkal (víz, bor, húslé, tej) és tészta elkeveréséhez, folyamatos gyöngyöztetéshez.
	PÁROLÁS	
5-6	SÜTÉS	Ideális hirtelen sütéshez, zöldségek párolásához, hosszabb ideig tartó főzéshez, tartozékok előmelegítéséhez, krémesre főzéshez.
	OLAJBAN SÜTÉS	
7-8	RÁZVA PIRÍTÁS	Ideális pirításhoz, sütés megkezdéséhez, folyadékok gyors felforralásához, mélyhűtött termékek sütéséhez, hal és hús grillezéséhez, folyamatos forraláshoz.
	GRILLEZÉS	
9	GYORS MELEGÍTÉS	Ideális az étel hőmérsékletének gyors emeléséhez vagy folyadékok (víz) gyors felmelegítéséhez.

**KARBANTARTÁS ÉS TISZTÍTÁS**

⚠ Válassza le a készüléket az áramforrásról.

**A FŐZŐLAP FELÜLETÉNEK TISZTÍTÁSA**

- A zománcozott és üvegrészeket meleg vízzel és semleges oldattal tisztítsa.
- A rozsdamentes acél felületeket foltossá teheti a meszes víz vagy az agresszív tisztítószer, ha hosszú időn keresztül érintkeznek velük. A folyadékcspepeket (víz, szósz, kávé stb.) le kell törölni, még mielőtt megszáradnának.
- Meleg vízzel és semleges tisztítószerekkel tisztítsa meg, majd szárítsa meg a felületet egy puha ronggyal vagy bőrkendővel. Az odaégett ételmaradékokat a rozsdamentes acél felületekhez ajánlott tisztítószerral távolítsa el.

**MEGJEGYZÉS: a rozsdamentes acél felület tisztításához csak puha rongyot vagy szivacsot használjon.**

- Ne használjon súroló- vagy korrozív szereket, klóros tisztítószereket vagy dörzsszivacsot.
- Ne használjon gőznyomással működő tisztítóberendezéseket.
- Ne használjon gyúlékony termékeket.
- Ne hagyjon a tűzhelylapon savas vagy lúgos anyagokat, például ecetet, mustárt, sót, cukrot vagy citromlevet.

**A FŐZŐLAP ALKATRÉSZEINEK TISZTÍTÁSA**

- Az üveg és zománcozott részek tisztításához puha rongyot vagy szivacsot használjon.
- A rácsok, a gázrőzsasapkák és a gázrőzsák tisztítás céljából eltávolíthatók.
- Tisztítsa meg őket kézzel, meleg vízzel és nem súrolóhatású tisztítószerekkel, távolítsa az ételmaradékokat, és ellenőrizze, hogy a gázrőzsák nyílásai nincsenek-e eltömődve.
- Öblítse le, majd szárítsa meg őket.

- **Az öntöttvas rácsok mosogatógépben is tisztíthatók.** Távolítsa el minden odaégett ételt, mielőtt a rácsot a mosogatógép legalsó rekeszébe helyezi.
- Illessze vissza a gázrőzsákat és a gázrőzsasapkákat pontosan a helyükre.
- A rács visszahelyezésekor ügyeljen arra, hogy az edénytartó terület jól illeszkedjen a gázrőzsához.

- Az elektromos szikragyújtással és biztonsági eszközzel felszerelt típusokat alaposan meg kell tisztítani a szikragyújtó csatlakozója körül a megfelelő működés érdekében. Gyakran ellenőrizze ezeket az alkatrészeket, és ha szükséges, tisztítsa meg őket egy nedves ronggyal. A rásült ételmaradékokat el kell távolítani egy fogpiszkálóval vagy tüvel.

**MEGJEGYZÉS:** az elektromos szikragyújtó berendezés sérülésének elkerülése érdekében ne használja a berendezést, ha a gázrőzsák nincsenek a helyükön.

## A PROBLÉMÁK MEGOLDÁSA

Ha a főzőlap nem megfelelően működik, tekintse meg a hibaelhárítási útmutatót a probléma meghatározásához, és csak ezután vegye fel a kapcsolatot a vevőszolgálattal.

### 1. A gázrőzsák nem égnek, vagy a láng nem egyenletes

Ellenőrizze a következőket:

- A gáz- vagy áramellátás nincs elzárva, és a gázcsap nyitva van.
- A gázpalack (folyékony gáz) nem üres.
- A gázrőzsa nyílásai nincsenek eltömődve.
- A dugasz vége nem szennyezett.
- A gázrőzsa minden alkatrésze megfelelő helyzetben van.
- Nincs huzat a főzőlap közelében.

### 2. A gázrőzsa nem marad égve

Ellenőrizze a következőket:

- A gázrőzsa meggyújtásakor a gombot megfelelő ideig nyomva tartotta, így a védőrendszer aktiválódott.
- A gázrőzsa nyílásai nincsenek eltömődve a termoelem közelében.
- A biztonsági eszköz vége nem koszos.
- A gáz minimális beállítása megfelelő (lásd az erről szóló részt).

### 3. Az edény nem áll stabilan

Ellenőrizze a következőket:

- Az edény alja teljesen lapos.
- A gázrőzsa az edény közepén helyezkedik el.
- A rácsok nincsenek felcserélve, illetve megfelelő helyen állnak.

Ha a fenti ellenőrzések után a hiba még mindig fennáll, lépjen kapcsolatba a legközelebbi vevőszolgálattal.

## VEVŐSZOLGÁLAT

Ahhoz, hogy átfogóbb támogatásban részesüljön, kérjük, regisztrálja készülékét a [www.whirlpool.eu/register](http://www.whirlpool.eu/register) oldalon.

### MIELŐTT A VEVŐSZOLGÁLATOT HÍVNÁ:

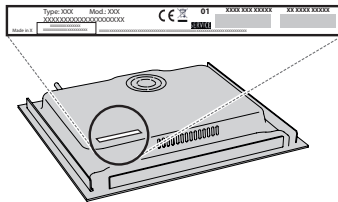
1. Ellenőrizze, hogy a probléma megoldható-e a **HIBAELHÁRÍTÁS** részben ismertetett javaslatok segítségével.
2. Kapcsolja ki, majd kapcsolja be újra a készüléket, hogy lássa, fennáll-e még a hiba.

### HA A FENTI LÉPÉSEK ELVÉGZÉSE UTÁN A HIBA TOVÁBBRA IS FENNÁLL, LÉPJEN KAPCSOLATBA A HELYI VEVŐSZOLGÁLATTAL.

Ha segítségre van szüksége, hívja a garanciafüzetben található telefonszámot, vagy kövesse a weboldalon ([www.whirlpool.eu](http://www.whirlpool.eu)) megadott utasításokat.

Ha a vevőszolgálathoz fordul, minden esetben meg kell adnia a következő adatokat:

- a hiba rövid leírását;
- a sütő pontos modelljét és típusát;



- sorozatszám (az SN szó utáni szám a készülék alatt található adattáblán). A sorozatszámot a dokumentáció is megadja;



Mod. **XXX XXX**

Ind.C. **XXXX XXXX XXXX**

Prod.N. **86999XXXXXXX** S.N. **XXXX XXXX XXXX**

- a teljes címét;
- a telefonszámát.

Ha bármilyen javításra van szükség, kérjük, hogy a hivatalos vevőszolgálathoz forduljon (annak biztosítása érdekében, hogy eredeti alkatrészeket használjanak, és a javításokat megfelelően végezzék el).



# INSTRUCȚIUNI PRIVIND SIGURANȚA

## IMPORTANT: TREBUIE CITITE ȘI RESPECTATE

Descărcați manualul cu instrucțiuni complet de pe site-ul <http://docs.whirlpool.eu> sau sunați la numărul indicat pe certificatul de garanție.

⚠ Aceste instrucțiuni sunt valabile numai dacă simbolul țării în care este utilizat aparatul este prezent pe acesta. Dacă simbolul corespunzător nu este prezent pe acesta, este necesar să consultați instrucțiunile tehnice, deoarece acestea conțin instrucțiunile necesare privind modificarea aparatului în funcție de condițiile de utilizare specifice țării respective.

⚠ ATENȚIE: Utilizarea unui aparat de gătit cu funcționare pe gaz are ca rezultat generarea de căldură, umiditate și produși combustibili în încăperea în care acesta este instalat. Asigurați-vă că bucătăria este bine ventilată, mai ales atunci când aparatul este în funcțiune: mențineți deschise orificiile de aerisire sau instalați un dispozitiv de ventilare mecanică (hotă cu extracție mecanică). Utilizarea intensivă și îndelungată a aparatului ar putea impune necesitatea unei ventilări suplimentare, de exemplu, deschiderea ferestrei sau o modalitate mai eficientă de ventilare, prin creșterea nivelului de ventilare mecanică atunci când este cazul.

⚠ Nerespectarea cu exactitate a instrucțiunilor din acest manual poate duce la incendiu sau explozie, care se soldează cu pagube materiale sau vătămări corporale. Înainte de a utiliza aparatul, citiți aceste instrucțiuni privind siguranță. Păstrați-le la îndemână pentru a le putea consulta și pe viitor.

Aceste instrucțiuni și aparatul în sine furnizează avertismente importante privind siguranță, care trebuie respectate întotdeauna. Producătorul nu își asumă nicio răspundere pentru nerespectarea acestor instrucțiuni de siguranță, pentru utilizarea necorespunzătoare a aparatului sau pentru setarea incorectă a butoanelor de comandă.

⚠ AVERTISMENT: Aparatul și părțile sale accesibile se înfierbântă în timpul utilizării. Trebuie evitată atingerea elementelor fierbinți. Copiii cu vârste mai mici de 8 ani nu trebuie lăsați să se apropie de aparat, cu excepția cazurilor în care sunt supravegheați în permanentă.

⚠ AVERTISMENT: Dacă suprafața plitei este crăpată, nu folosiți aparatul – risc de electrocutare.

⚠ AVERTISMENT: Pericol de incendiu: Nu depozitați obiecte pe zonele de gătit.

⚠ ATENȚIE: Procesul de preparare trebuie să fie supravegheat. Un proces de preparare care durează puțin trebuie să fie supravegheat în permanentă.

⚠ AVERTISMENT: Prepararea la plită cu grăsime sau ulei poate fi periculoasă - risc de incendiu. Nu încercați NICIODATĂ să stingeți un incendiu folosind apă: trebuie să opriți aparatul și apoi trebuie să acoperiți flacăra, de exemplu cu un capac sau cu o pătură ignifugă.

⚠ Nu utilizați plita ca suprafață de lucru sau suport. Nu amplasați articole vestimentare sau alte materiale inflamabile lângă aparat până când nu s-au răcit complet toate componentele acestuia - pericol de incendiu.

⚠ Nu lăsați aparatul la îndemâna copiilor foarte mici (0-3 ani). Nu lăsați aparatul la îndemâna copiilor mici (3-8 ani) decât dacă sunt supravegheați în permanentă. Copiii cu vârsta de peste 8 ani și persoanele cu capacități fizice, senzoriale sau mintale reduse sau fără experiență și cunoștințe pot folosi acest aparat doar dacă sunt supravegheate sau au fost instruite cu privire la utilizarea în siguranță și înțeleg riscurile implicate. Copiii nu trebuie să se joace cu aparatul. Curățarea și întreținerea nu trebuie să fie efectuate de către copii fără a fi supravegheați.

⚠ ATENȚIE: În cazul spargerii sticlei plitei: închideți imediat toate arzătoarele și toate rezistențele electrice și deconectați aparatul de la sursa de alimentare; nu atingeți suprafața aparatului; nu utilizați aparatul.

Capacul din sticlă se poate sparge dacă este încălzit excesiv. Opriti toate arzătoarele și plăcile electrice înainte de a închide capacul. Nu închideți capacul dacă arzătorul este aprins.

### UTILIZAREA PERMISĂ

⚠ ATENȚIE: aparatul nu trebuie să fie pus în funcțiune prin intermediul unui comutator extern, precum un temporizator, sau al unui sistem de comandă la distanță separat.

⚠ Acest aparat este proiectat pentru a fi utilizat în locuințe, precum și în alte spații similare, precum: bucătării destinate personalului din magazine, birouri și alte spații de lucru; ferme; de către clienții din hoteluri, moteluri, unități de cazare de tip "Bed and breakfast" și alte spații rezidențiale.

⚠ Orice altă utilizare este interzisă (de ex. încălzirea încăperilor).

⚠ Acest aparat nu este destinat utilizării în scop profesional. Nu utilizați aparatul în aer liber.

⚠ Utilizați oale și cratițe cu diametrul bazei egal sau puțin mai mare decât diametrul arzătoarelor (consultați tabelul specific). Aveți grijă ca vasele de gătit așezate pe grătare să nu iasă în afara marginilor plitei.

⚠ Utilizarea necorespunzătoare a grătarelor poate duce la deteriorarea plitei: nu așezați grătarele cu susul în jos și nu le târați pe suprafața plitei.

Aveți grijă ca flacăra arzătorului să nu se extindă dincolo de marginea vasului. Dacă suprafața plitei este fabricată din sticlă, nu utilizați tigăi din fontă, plăci de piatră pentru gătit, oale și cratițe din teracotă.

Nu utilizați: Difuzoare de căldură, de tipul plaselor metalice sau de alte tipuri. Două arzătoare în același timp pentru un singur vas (de ex. o tavă de gătit pește). În cazul în care condițiile locale specifice de distribuție a gazelor fac ca aprinderea arzătorului să fie dificilă, este indicat să repetați operația cu butonul rotit la poziția pentru flacăra mică.

În cazul instalării unei hote deasupra plitei, consultați instrucțiunile care însoțesc hota pentru a identifica distanțele corecte de montare. Piciorușele de protecție din cauciuc de sub grătare ar putea fi înghițite de copii, reprezentând astfel un pericol de sufocare. După îndepărtarea grătarelor, vă rugăm să vă asigurați că toate piciorușele sunt montate corect.

## INSTALAREA

⚠ Manevrarea și instalarea aparatului trebuie să fie efectuate de două sau mai multe persoane - risc de rănire. Folosiți mănuși de protecție la despachetare și instalare - risc de tăiere.

⚠ Conexiunile electrice și racordurile pentru gaz trebuie să fie efectuate în conformitate cu normele locale.

⚠ Instalarea, inclusiv racordarea la rețeaua de alimentare cu apă (dacă este necesară) și la rețeaua de alimentare cu energie electrică, precum și reparațiile trebuie efectuate de un tehnician calificat. Nu reparați și nu înlocuiți nicio piesă a aparatului, dacă acest lucru nu este indicat în mod expres în manualul de utilizare. Nu lăsați copiii în apropierea zonei de instalare. După despachetarea aparatului, asigurați-vă că acesta nu a fost deteriorat în timpul transportului. Dacă apar probleme, contactați distribuitorul sau cel mai apropiat serviciu de asistență tehnică post-vânzare. Odată instalat aparatul, deșeurile de ambalaje (bucăți de plastic, polistiren etc.) nu trebuie lăsate la îndemâna copiilor - risc de asfixiere. Înainte de orice operație de instalare, aparatul trebuie să fie deconectat de la rețeaua de alimentare cu energie electrică - risc de electrocutare. În timpul instalării, aveți grijă ca aparatul să nu deterioreze cablul de alimentare - risc de incendiu sau de electrocutare. Activați aparatul numai atunci când instalarea a fost finalizată.

⚠ **AVERTISMENT:** Modificarea aparatului și a metodei de instalare a acestuia sunt esențiale în vederea utilizării corecte și în siguranță a aparatului în toate țările ale căror simboluri nu sunt specificate pe acesta.

⚠ Folosiți regulatoare de presiune potrivite pentru presiunea gazului precizată în instrucțiuni.

⚠ Încăperea trebuie să fie prevăzută cu un sistem de extracție a aerului care să elimine din incintă gazele combustibile.

⚠ De asemenea, în încăpere trebuie să fie permisă circulația liberă a aerului, deoarece acesta este absolut necesar pentru o ardere normală. Debitul de aer nu trebuie să fie de sub 2 m<sup>3</sup>/h per kW de putere instalată.

⚠ Sistemul de circulație a aerului poate extrage aerul direct din exterior prin intermediul unei conducte cu o secțiune transversală internă de cel puțin 100 cm<sup>2</sup>; deschiderea nu trebuie să fie blocată.

⚠ De asemenea, acest sistem poate asigura indirect aerul necesar pentru ardere, adică din încăperile adiacente prevăzute cu conducte de circulație a aerului, conform descrierii anterioare. Totuși, aceste încăperi nu trebuie să fie camere de zi, dormitoare sau să comporte riscul de izbucnire a unui incendiu.

⚠ Gazul petrolier lichefiat cade pe planșeu deoarece are o greutate mai mare decât cea a aerului. Astfel, încăperile în care se află butelii de GPL trebuie să fie de asemenea prevăzute cu orificii de aerisire pentru a se permite eliminarea gazului în cazul scurgerii acestuia. În consecință, buteliile de GPL, încărcate parțial sau complet, nu trebuie să fie instalate sau depozitate în

încăperi sau spații de depozitare aflate sub nivelul solului (pivnițe etc.). Este recomandat ca în încăpere să fie depozitată numai butelia utilizată, aceasta fiind poziționată într-un loc ferit de căldura produsă de sursele externe (cuptoare, șemineuri, sobe etc.) care ar putea determina creșterea temperaturii buteliei la o valoare de peste 50 °C.

Dacă întâmpinați dificultăți când rotiți butoanele arzătoarelor, vă rugăm să contactați Serviciul de asistență tehnică post-vânzare în vederea înlocuirii robinetului arzătorului dacă acesta este defect.

Deschiderile destinate ventilării și dispersiei căldurii nu trebuie să fie niciodată acoperite.

⚠ Executați toate operațiunile de decupare a mobilei înainte de a încorpora aparatul și înlăturați cu grijă toate așchiile din lemn și rumegușul.

⚠ În cazul în care aparatul nu este montat deasupra unui cuptor, trebuie să fie instalat un panou despărțitor (neinclus în dotarea aparatului) în compartimentul de sub acesta.

## RACORDAREA LA GAZ

⚠ **AVERTISMENT:** Înainte de instalare, asigurați-vă că condițiile de distribuție de la nivel local (tipul de gaz și presiunea gazului) sunt compatibile cu configurația aparatului.

⚠ Verificați dacă presiunea de alimentare cu gaz este conformă cu valorile specificate în tabelul „Specificații privind arzătorul și duza”.

⚠ **AVERTISMENT:** Valorile de reglare a aparatului sunt specificate pe etichetă (sau pe plăcuța cu date tehnice).

⚠ **AVERTISMENT:** Acest aparat nu este conectat la un dispozitiv de evacuare a produselor de ardere. Dispozitivul trebuie să fie instalat și conectat în conformitate cu normele în vigoare privind instalarea. Trebuie să se acorde o atenție deosebită cerințelor relevante privind ventilația.

⚠ Dacă aparatul este racordat la o sursă de alimentare cu gaz lichefiat, șurubul de reglare trebuie să fie strâns cât mai mult posibil.

⚠ **IMPORTANT:** Când se folosește alimentarea cu gaz de la butelia, butelia sau recipientul de gaz trebuie să fie așezate în mod adecvat (orientare verticală).

⚠ **AVERTISMENT:** Această operație trebuie să fie efectuată de un tehnician calificat.

⚠ Folosiți numai furtunuri metalice flexibile sau rigide pentru racordul de gaz.

⚠ **Racord rigid (din cupru sau oțel)** Racordul la sistemul de alimentare cu gaz trebuie să fie efectuat astfel încât să nu se exercite presiuni asupra aparatului. Pe rampa de alimentare a aparatului este prezent un racord în forma literei L reglabil, care este prevăzut cu o garnitură ce previne scurgerile. Garnitura trebuie să fie înlocuită întotdeauna după rotirea racordului (garnitura este livrată împreună cu aparatul). Racordul conductei de alimentare cu gaz este un racord 1/2 cilindric filetat de tip tată.

⚠ **Racordarea unei țevi din oțel inoxidabil flexibile și fără sudură** la un racord filetat Racordul conductei de alimentare cu gaz este un racord 1/2 cilindric filetat de tip tată. Țevile trebuie să fie instalate astfel încât să nu

aibă niciodată o lungime mai mare de 2000 mm atunci când sunt complet extinse. Odată ce a fost realizată racordarea, asigurați-vă că țevă metalică flexibilă nu intră în contact cu nicio componentă mobilă și că nu este presată. Utilizați numai țevi și garnituri care sunt conforme cu normele naționale.

⚠ **IMPORTANT:** Dacă se utilizează un furtun din oțel inoxidabil, acesta trebuie instalat astfel încât să nu atingă nicio componentă mobilă a mobilierului (de exemplu, un sertar). Acesta trebuie să treacă printr-o zonă în care nu există obstacole și care să permită examinarea furtunului pe toată lungimea sa.

⚠ Aparatul trebuie să fie racordat la rețeaua de alimentare cu gaz sau la butelia de gaz în conformitate cu normele naționale. Înainte de a efectua racordarea, asigurați-vă că aparatul este compatibil cu tipul de gaz pe care doriți să îl utilizați. Dacă nu există compatibilitate, urmați instrucțiunile de la paragraful "Adaptarea pentru diferite tipuri de gaz".

⚠ După racordarea la alimentarea cu gaz, verificați etanșeitatea folosind apă cu săpun. Aprindeți arzătoarele și rotiți butoanele de la poziția de maxim 1\* la poziția de minim 2\* pentru a verifica stabilitatea flăcării.

#### **ADAPTAREA PENTRU DIFERITE TIPURI DE GAZ**

(Această operațiune trebuie efectuată de un tehnician calificat).

⚠ Pentru a adapta aparatul la un alt tip de gaz decât cel pentru care a fost fabricat acesta (indicat pe plăcuța cu date tehnice), urmați pașii corespunzători, indicați după desenele aferente instalării.

#### **AVERTISMENTE PRIVIND ALIMENTAREA CU ENERGIE ELECTRICĂ**

⚠ **IMPORTANT:** Informațiile despre consumul de curent și tensiune sunt furnizate pe plăcuța cu date tehnice.

⚠ Aparatul trebuie să poată fi deconectat de la rețeaua electrică fie prin scoaterea ștecherului din priză (dacă ștecherul este accesibil), fie prin intermediul unui întrerupător multipolar situat în amonte de priză, în conformitate cu normele privind cablurile electrice, iar aparatul trebuie să fie împământat, în conformitate cu standardele naționale privind siguranța electrică.

⚠ Cablul de alimentare trebuie să fie suficient de lung pentru a putea conecta aparatul la rețeaua de alimentare cu energie electrică, după ce a fost încastrat în mobilă. Nu trageți de cablul de alimentare.

⚠ Nu utilizați prelungitoare, prize multiple sau adaptoare. După finalizarea instalării, componentele electrice nu trebuie să mai fie accesibile pentru utilizator. Nu utilizați aparatul dacă aveți părți ale corpului umede sau când sunteți desculți. Nu puneți în funcțiune acest aparat dacă are cablul de alimentare sau ștecherul deteriorat, dacă nu funcționează corespunzător sau dacă a fost deteriorat sau a căzut pe jos.

⚠ Dacă este deteriorat cablul de alimentare, acesta trebuie înlocuit cu unul identic de către producător, agentul de service sau de o persoană calificată similară, pentru a se evita pericolele - pericol de electrocutare.


#### **CURĂȚAREA ȘI ÎNTREȚINEREA**

⚠ **AVERTISMENT:** Asigurați-vă că aparatul este oprit și deconectat de la rețeaua de alimentare electrică înainte de a efectua orice operație de întreținere; nu folosiți niciodată aparate de curățare cu aburi - risc de electrocutare.

⚠ Nu utilizați produse abrazive sau corozive, produse pe bază de clor sau bureți de sârmă pentru vase.

⚠ Pentru a evita deteriorarea dispozitivului de aprindere electrică, nu-l folosiți atunci când arzătoarele nu sunt în locașurile lor.

#### **ELIMINAREA AMBALAJULUI**


Ambalajul este reciclabil în proporție de 100% și este marcat cu simbolul reciclării .

Prin urmare, diferitele părți ale ambalajului trebuie eliminate în mod corespunzător și în conformitate cu normele stabilite de autoritățile locale privind eliminarea deșeurilor.

#### **ELIMINAREA APARATELOR ELECTROCASNICE**

Acest aparat este fabricat cu materiale reciclabile sau reutilizabile. Eliminați-l în conformitate cu normele locale referitoare la eliminarea deșeurilor. Pentru informații suplimentare referitoare la tratarea, valorificarea și reciclarea aparatelor electrocasnice, contactați autoritățile locale competente, serviciul de colectare a deșeurilor menajere sau magazinul de unde ați achiziționat aparatul. Acest aparat este marcat în conformitate cu Directiva europeană 2012/19/UE privind deșeurile de echipamente electrice și electronice (DEEE) și cu reglementările din 2013 privind deșeurile de echipamente electrice și electronice (astfel cum au fost modificate).

Asigurându-vă că acest produs este eliminat în mod corect, contribuiți la prevenirea consecințelor negative asupra mediului înconjurător și sănătății persoanelor.

Simbolul  de pe produs sau de pe documentele care îl însoțesc indică faptul că acest aparat nu trebuie eliminat ca deșeu menajer, ci trebuie predat la un centru de colectare corespunzător, pentru reciclarea echipamentelor electrice și electronice.

#### **RECOMANDĂRI PRIVIND ECONOMISIREA ENERGIEI**

Utilizați oale și cratițe cu diametrul bazei egal cu cel al zonei de gătit.

Utilizați numai oale și cratițe cu baza plată.

Când gătiți, pe cât posibil, lăsați oalele acoperite cu capacul.

Utilizați o oală sub presiune pentru a reduce și mai mult consumul de energie și durata de preparare.

#### **DECLARAȚIE DE CONFORMITATE**

Acest aparat îndeplinește Cerințele de proiectare ecologică prevăzute de Regulamentul european nr. 66/2014, precum și Regulamentele din 2019 (leșire UE) (Amendamentul) privind informațiile energetice și proiectarea ecologică aplicabilă produselor cu impact energetic, în conformitate cu Standardul european EN 30-2-1.

Tip de gaz utiliza	Tip de arzător	Marcaj injector	Capacitate termică nominală kW	Consum nominal	Capacitate termică redusă kW	Presiune gaz mbar		
						min.	nom.	max.
GAZE NATURALE (Metan) <b>G20</b>	Semi-rapid (SR)	97	1,75	167 l/h	0,40	17	20	25
	Auxiliary (AUX)	78 A	1,00	95 l/h	0,40			
	2 inele de ardere (DC)	140 H3	3,50	333 l/h	2,20			
GAZ PETROLIER LICHEFIAT (Butan) <b>G30</b>	Semi-rapid (SR)	67	1,75	127 g/h	0,40	20	30	35
	Auxiliary (AUX)	50	1,00	73 g/h	0,40			
	2 inele de ardere (DC)	94	3,50	254 g/h	2,20			
GAZ PETROLIER LICHEFIAT (Propan) <b>G31</b>	Semi-rapid (SR)	67	1,75	125 g/h	0,40	20	30	35
	Auxiliary (AUX)	50	1,00	71 g/h	0,40			
	2 inele de ardere (DC)	94	3,50	250 g/h	2,20			

Tip de gaz utiliza	Configurație model 4 ARZĂTOARE	Capacitate termică nominală (kW)	Consum total nominal	Aer necesar (m <sup>3</sup> ) pentru a arde 1m <sup>3</sup> de gaz
<b>G20</b> 20 mbar	2SR - 1AUX - 1DC	8,00	762 l/h	9,52
<b>G30</b> 30 mbar	2SR - 1AUX - 1DC	8,00	581 g/h	30,94
<b>G31</b> 30 mbar	2SR - 1AUX - 1DC	8,00	571 g/h	23,80

ALIMENTAREA CU ELECTRICITATE: 220-240 V ~ 50-60 Hz - 0,6 W

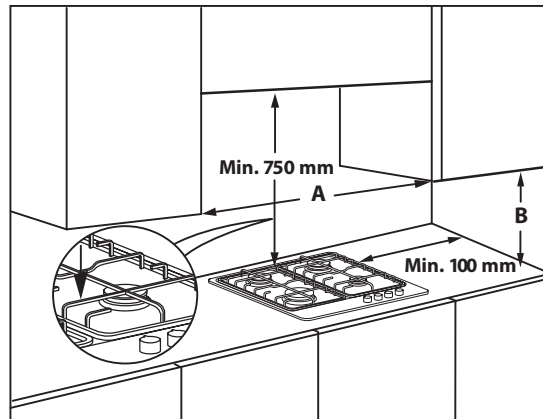
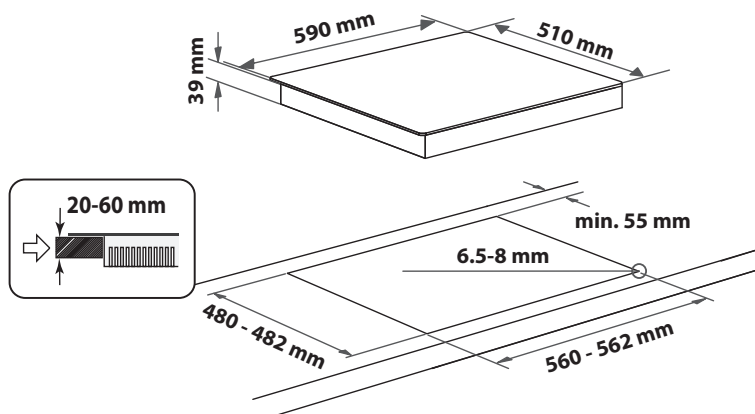


## INSTALAREA (CLASA 3)

### INFORMAȚII TEHNICE PENTRU INSTALATOR

- Folosiți mănuși de protecție pentru manevrarea, pregătirea și instalarea produsului.
- Acest produs poate fi încastrat într-un blat de lucru cu o grosime de 20 până la 60 mm.
- Dacă nu există un cuptor dedesubtul plitei, introduceți un panou separator cu o suprafață cel puțin egală cu deschiderea din blatul de lucru. Acest panou trebuie poziționat la o distanță maximă de 150 mm sub partea superioară a blatului de lucru, dar în niciun caz la mai puțin de 20 mm de partea inferioară a plitei. Dacă doriți să instalați un cuptor sub plită, asigurați-vă că acesta este echipat cu un sistem de răcire.

### DIMENSIUNI ȘI DISTANȚE DE RESPECTAT



**NOTĂ:** dacă distanța "A" dintre dulapurile suspendate este între 600 mm și 750 mm, înălțimea "B" trebuie să fie de cel puțin 530 mm. Dacă distanța "A" dintre dulapurile suspendate este mai mare decât lățimea suprafeței de gătit, înălțimea "B" trebuie să fie de cel puțin 400 mm. În cazul instalării unei hote deasupra plitei, respectați instrucțiunile cu distanțele corecte de montare a hotei

### MONTAREA

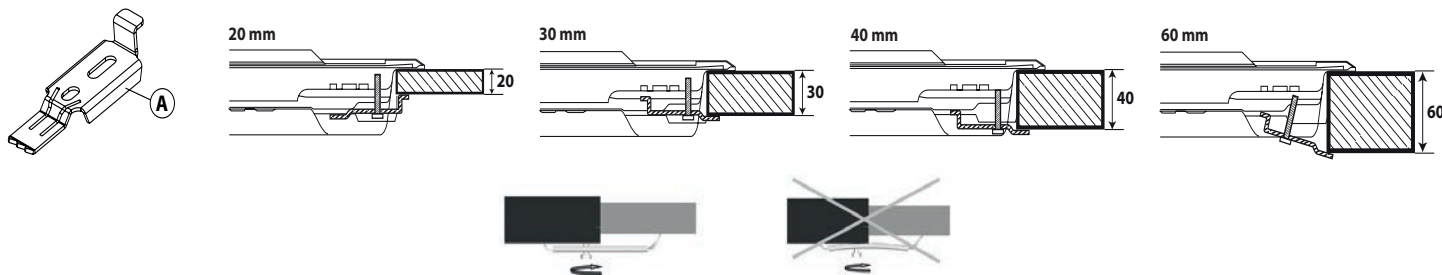
După ce ați curățat suprafața marginilor, aplicați pe plită garnitura furnizată, așa cum se arată în figură.

Poziționați plita în deschiderea practică în blatul de lucru, respectând dimensiunile indicate în Instrucțiuni.

**NOTĂ:** cablul de alimentare trebuie să fie suficient de lung pentru a permite ca plita să poată fi scoasă prin partea de sus.



Pentru a fixa plita, folosiți consolele (A) livrate împreună cu aceasta. Potrivii consolele în găurile corespunzătoare indicate de săgeată și strângeți-le prin intermediul șuruburilor, în funcție de grosimea blatului de lucru (consultați figurile următoare).

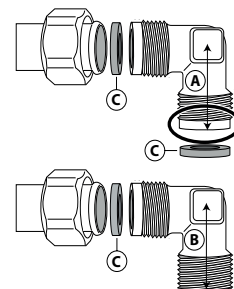


### RACORDAREA LA GAZ

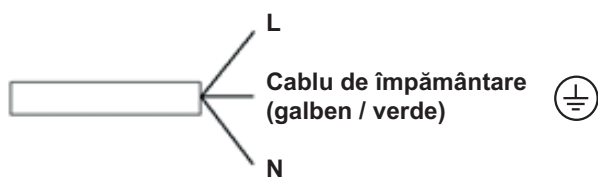
- Racordați cotul (A)\* sau (B)\* (incluse în pachet) la țeava principală de alimentare a plitei și intercalați șaiba (C) (inclusă în pachet), în conformitate cu standardul EN 549.

\* Folosiți cotul (A) pentru Franța și cotul (B) pentru toate celelalte țări.

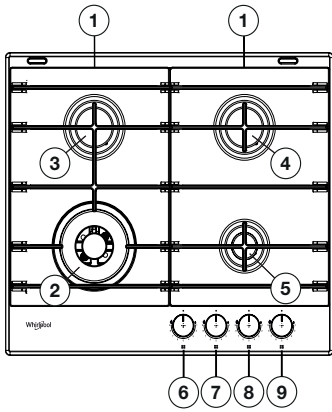
- După racordarea la alimentarea cu gaz, verificați etanșeitarea folosind apă cu săpun. Aprindeți arzătoarele și rotiți butoanele de la poziția de maxim ⤴ la poziția de minim ⤵ pentru a verifica stabilitatea flăcării.



### CONECTARE ELECTRICA



# DESCRIEREA PRODUSULUI



1. Grătare detașabile
2. Arzător cu 2 inele de ardere
3. Arzător semi-rapid
4. Arzător semi-rapid
5. Arzător auxiliar
6. Buton de comandă pentru arzătorul cu 2 inele de ardere
7. Buton de comandă pentru arzătorul semi-rapid
8. Buton de comandă pentru arzătorul semi-rapid
9. Buton de comandă pentru arzătorul auxiliar

## Simboluri

- Cerc de culoare ● Robinet închis închisă
- Flacără mare Deschidere maximă/debit maxim și aprindere electrică
- Flacără mică Deschidere minimă sau debit redus
- 

# UTILIZAREA ZILNICĂ

## UTILIZAREA PLITEI

**⚠** Aveți grijă ca flacăra arzătorului să nu se extindă dincolo de marginea vasului.

**IMPORTANT: când plita este în uz, întreaga zonă a plitei se poate înfierbânta.**

- Pentru a aprinde un arzător, rotiți butonul corespunzător în sens anti-orar până când ajunge în poziția pentru flacără maximă.
- Apăsăți butonul spre panoul de comandă pentru a aprinde arzătorul.
- După aprinderea arzătorului, continuați să țineți apăsat butonul timp de aproximativ 5-10 secunde pentru a permite funcționarea corectă a dispozitivului.
- Acest dispozitiv de siguranță cu care este prevăzut arzătorul va întrerupe alimentarea cu gaz a arzătorului în cazul în care flacăra se stinge accidental (din cauza unor curenți de aer, a întreruperii furnizării gazelor, a vărsării de lichide etc.).
- Butonul nu trebuie ținut apăsat mai mult de 15 sec. Dacă după trecerea acestui interval arzătorul nu rămâne aprins, așteptați cel puțin un minut înainte de a încerca să-l aprindeți din nou.

**NOTĂ: în cazul în care condițiile locale specifice de distribuire a gazelor fac ca aprinderea arzătorului să fie dificilă, este indicat să repetați operația cu butonul rotit la poziția pentru flacără mică.**

**Arzătorul se poate stinge când butonul este eliberat.** Acest lucru înseamnă că dispozitivul de siguranță nu s-a încălzit suficient. În această situație, repetați operațiile descrise mai sus.

Dacă flacăra arzătorului se stinge accidental, opriți comanda arzătorului și nu încercați să o aprindeți timp de cel puțin 1 minut.

## SFATURI PRACTICE PENTRU UTILIZAREA ARZĂTOARELOR

Această plită are arzătoare cu diametre diferite. Pentru a obține rezultate optime la folosirea arzătoarelor, vă rugăm să urmați aceste reguli:

- utilizați oale și cratițe cu diametrul bazei egal sau puțin mai mare decât diametrul arzătoarelor (consultați tabelul din dreapta);
- utilizați numai oale și cratițe cu baza plată;
- folosiți cantitatea corectă de apă când gătiți alimentele și țineți oala acoperită;
- aveți grijă ca vasele de gătit așezate pe grătare să nu iasă în afara marginilor plitei;
- în cazul vaselor cu bază convexă (wok), folosiți grătarul-suport care nu este furnizat împreună cu plita, care trebuie plasat numai pe arzătorul cu inele de ardere multiple;
- evitați ciocnirile accidentale cu cratițe, grile sau alte echipamente de bucătărie;
- nu lăsați grătare goale pe focul aprins pentru mai mult de 5 minute.

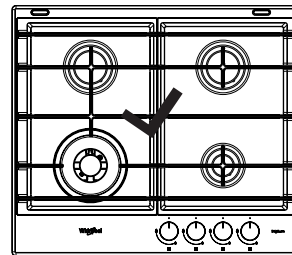
**IMPORTANT: utilizarea necorespunzătoare a grătarelor poate duce la deteriorarea plitei: nu așezați grătarele cu susul în jos și nu le târați pe suprafața plitei.**

ARZĂTOR	Ø OALĂ
2 inele de ardere	De la 24 la 26 cm
Semi-rapid	De la 16 la 22 cm
Auxiliar	De la 8 la 14 cm

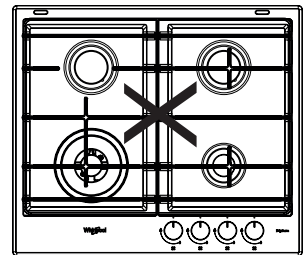
Nu utilizați:

- Tigăi din fontă, plăci de piatră pentru gătit, oale sau cratițe din teracotă.
- Difuzoare de căldură, de tipul plaselor metalice sau de alte tipuri.
- Două arzătoare în același timp pentru un singur vas (de ex. o oală de fiert pește).

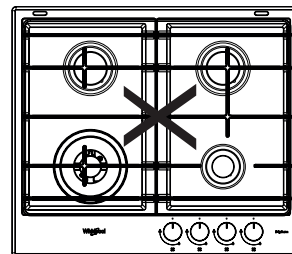
## POZIȚIONAREA CORECTĂ A GRIELOR



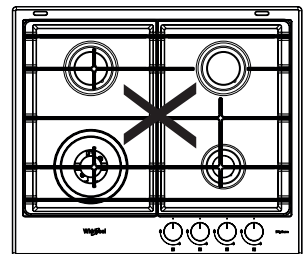
OK



NO



NO



NO

## ADAPTAREA PENTRU DIFERITE TIPURI DE GAZ

**⚠** Această operație trebuie să fie efectuată de un tehnician calificat.

Dacă aparatul trebuie să funcționeze cu un tip de gaz diferit de cel indicat pe plăcuța cu date tehnice și pe eticheta informativă de pe partea superioară a plitei, schimbați injectoarele. Înlăturați eticheta informativă și păstrați-o împreună cu manualul de instrucțiuni.

**Folosiți regulatoare de presiune potrivite pentru presiunea gazului indicată în Instrucțiuni.**

- Injectorul de gaz trebuie schimbat de Serviciul de asistență tehnică sau de un tehnician calificat.
- Injectorul care nu este furnizat împreună cu aparatul trebuie comandat de la Serviciul de asistență tehnică.
- Reglați poziția de minim a robinetelor.

**NOTĂ: când se folosește gaz petrolier lichiefiat (G30/G31), șurubul pentru reglarea debitului minim de gaz trebuie strâns cât de mult posibil.**

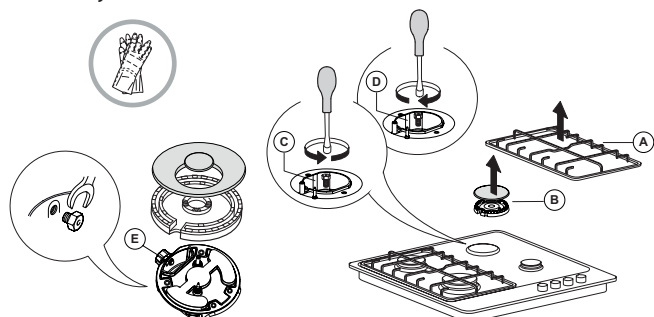
**IMPORTANT: dacă aveți dificultăți când rotiți butoanele arzătoarelor, vă rugăm să contactați Serviciul de asistență tehnică pentru înlocuirea robinetului arzătorului, dacă se constată că este defect.**

**IMPORTANT: când se folosește alimentarea cu gaz de la butelie, butelia sau recipientul de gaz trebuie să fie așezate în mod adecvat (orientare verticală).**

## ÎNLOCUIREA INJECTOARELOR (consultați tabelul de injectoare din Instrucțiuni privind siguranța)

⚠ Această operație trebuie să fie efectuată de un tehnician calificat.

- Scoateți grătarele (A).
- Extrageți arzătoarele (B).
- Folosind o cheie tubulară de dimensiuni corespunzătoare, deșurubați injectorul (C) care trebuie înlocuit.
- Înlocuiți-l cu injectorul potrivit pentru noul tip de gaz.
- Montați la loc injectorul în (D).
- Dacă aveți un arzător cu coroană multiplă, folosiți o cheie pentru a înlocui injectorul (E).



Înainte de a instala plita, nu uitați să montați plăcuța cu datele privind calibrarea gazului, livrată împreună cu injectoarele, astfel încât să acopere informațiile existente referitoare la calibrarea gazului.

## REGLAREA POZIȚIEI DE MINIM A ROBINETELOR

⚠ Această operație trebuie să fie efectuată de un tehnician calificat.

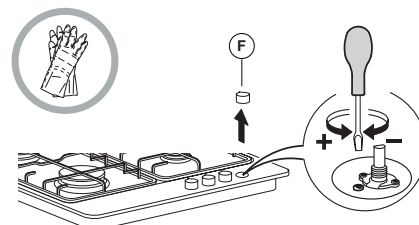
Reglajul trebuie efectuat cu robinetul în poziția de minim de gaz (flacără mică) ⚡.

Aerul primar al arzătoarelor nu trebuie să fie reglat.

Pentru a vă asigura că poziția de minim este corect reglată, scoateți butonul și procedați după cum urmează:

- strângeți șurubul pentru a reduce înălțimea flăcării (-);
- slăbiți șurubul pentru a mări înălțimea flăcării (+).

După aceasta, aprindeți arzătoarele și rotiți butoanele de la poziția de maxim ⚡ la poziția de minim ⚡ pentru a verifica stabilitatea flăcării.



După terminarea operației de reglare, resigilați folosind ceară sau un material echivalent.

## FLACĂRĂ MULTI-NIVEL

NIVEL	METODĂ/TIP DE PREPARARE (RECOMANDAT PENTRU)	CÂTEVA SFATURI PENTRU GĂTIT
1-2	MENȚINERE LA CALD	Ideală pentru a înmuia untul, topirea delicată a ciocolatei în baie de apă, decongelarea unei porții mici de alimente, obținerea unei texturi cremoase pentru rizoto.
	PREPARARE DELICATĂ	
3-4	FIERBERE LA FOC MIC	Ideală pentru rețete cu durată lungă de preparare (orez, sosuri, friptură, pește) cu lichide (apă, vin, bulion) și pentru obținerea unei texturi cremoase a pastelor, menținând fierberea la foc mic.
	FIERBERE ÎNĂBUȘITĂ	
5-6	FRIGERE	Ideală pentru a sota, a fierbe înăbușit legume, a găti pe perioade mai lungi de timp, a preîncălzi accesorii, a obține o textură cremoasă a alimentelor.
	PRĂJIRE	
7-8	PRĂJIRE LA FOC IUTE	Ideală pentru a rumeni, a căli, a fierbe rapid lichidele, a prăji produse congelate, a frige grătar carne și pește, a menține fierberea.
	FRIGERE LA GRĂTAR	
9	ÎNCĂLZIRE RAPIDĂ	Ideală pentru creșterea rapidă a temperaturii alimentelor sau pentru încălzirea lichidelor (apă).

## ÎNTREȚINEREA ȘI CURĂȚAREA

⚠ Deconectați de la electricitate înainte de a efectua orice operație de întreținere.

### CURĂȚAREA SUPRAFEȚEI PLITEI

- Toate piesele emailate și de sticlă trebuie curățate cu o soluție de apă caldă și detergent neutru.
- Suprafețele din oțel inoxidabil se pot păta din cauza apei calcaroase sau a detergentilor agresivi, dacă rămân în contact cu acestea prea mult timp. Resturile de mâncare căzute pe suprafață (apă, sos, cafea etc.) trebuie șterse înainte de a se usca.
- Curățați cu apă caldă și detergent neutru, apoi uscați cu o cârpă moale sau cu piele de căprioară. Îndepărtați resturile arse de mâncare cu ajutorul unor produse de curățare speciale pentru suprafețe din oțel inoxidabil.

**NOTĂ: curățați oțelul inoxidabil numai cu o cârpă sau un burete moale.**

- Nu utilizați produse abrazive sau corozive, produse pe bază de clor sau bureți de sârmă pentru vase.
- Nu utilizați aparate de curățat cu aburi.

- Nu folosiți produse inflamabile.
- Nu lăsați pe plită substanțe acide sau alcaline, cum ar fi oțet, muștar, sare, zahăr sau suc de lămâie.

### CURĂȚAREA COMPONENTELOR PLITEI

- Curățați sticla și piesele emailate numai cu o cârpă sau un burete moale.
- Grătarele, capacele arzătoarelor și arzătoarele pot fi scoase pentru a fi curățate.
- Curățați-le manual, cu apă caldă și detergent neabraziv, înlăturând cu grijă toate resturile de mâncare și verificând ca niciun orificiu al arzătorului să nu fie înfundat.
- Clătiți și uscați.
- **Grătarele din fontă pot fi curățate în mașina de spălat vase. Eliminați toate resturile alimentare arse înainte de a introduce grătarele în cel mai de jos coș al mașinii de spălat vase.**
- Puneți la loc arzătoarele și capacele arzătoarelor, în mod corect, în locașurile respective.

- Când puneți la loc grătarele, asigurați-vă că zona pe care se așează oalele este aliniată cu arzătorul.
- Modelele echipate cu fișe pentru aprindere electrică și cu dispozitiv de siguranță necesită o curățare atentă a capătului fișei pentru a asigura funcționarea corectă. Verificați frecvent aceste piese și, dacă este necesar, curățați-le cu o cârpă umedă. Resturile arse de mâncare trebuie îndepărtate cu o scobitoare sau cu un ac.

**NOTĂ: pentru a evita deteriorarea dispozitivului de aprindere electrică, nu-l folosiți atunci când arzătoarele nu sunt în locașurile lor.**

## REMEDIEREA DEFECȚIUNILOR

Dacă plita nu funcționează corect, înainte de a apela la Serviciul de asistență tehnică, consultați Ghidul de remediere a defecțiunilor pentru a stabili care este problema.

### 1. Arzătorul nu se aprinde sau flacăra nu este uniformă

Verificați următoarele:

- Alimentarea electrică sau cu gaz să nu fie oprită și, mai ales, robinetul de alimentare cu gaz să fie deschis.
- Butelia de gaz (gaz lichid) să nu fie goală.
- Orificiile arzătorului să nu fie înfundate.
- Capătul fișei să nu fie murdar.
- Toate piesele arzătorului să fie poziționate corect.
- Să nu existe curenți de aer în apropierea plitei.

### 2. Arzătorul nu rămâne aprins

Verificați următoarele:

- La aprinderea arzătorului, butonul să fie ținut apăsat destul timp, astfel încât să se activeze dispozitivul de protecție.
- Orificiile arzătorului să nu fie înfundate lângă termocuplu.
- Capătul dispozitivului de siguranță să nu fie murdar.
- Reglarea debitului minim de gaz să fie corectă (consultați paragraful respectiv).

### 3. Recipientele nu sunt stabile

Verificați următoarele:

- Fundul recipientului să fie perfect plat.
- Recipientul să fie centrat pe arzător.
- Grătarele să nu fie schimbate între ele sau poziționate incorect.

Dacă problema persistă și după verificările de mai sus, luați legătura cu cel mai apropiat Serviciu de asistență tehnică.

## SERVICIUL DE ASISTENȚĂ TEHNICĂ POST-VÂNZARE

Pentru a beneficia de servicii complete de asistență, vă rugăm să vă înregistrați produsul pe [www.whirlpool.eu/register](http://www.whirlpool.eu/register).

**ÎNAINTE DE A CONTACTA SERVICIUL DE ASISTENȚĂ TEHNICĂ POSTVÂNZARE:**

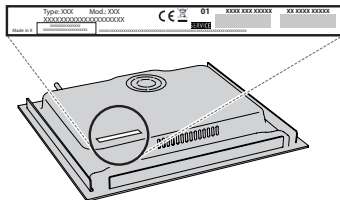
1. Încercați să rezolvați singuri problema, cu ajutorul recomandărilor din **GHIDUL DE REMEDIERE A DEFECȚIUNILOR**.
2. Opriți și puneți din nou în funcțiune aparatul pentru a verifica dacă defecțiunea persistă.

**DACĂ PROBLEMA PERSISTĂ CHIAR ȘI DUPĂ CONTROALELE MENȚIONATE, CONTACTAȚI CEL MAI APROPIAT SERVICIU DE ASISTENȚĂ TEHNICĂ POST-VÂNZARE.**

Pentru asistență, sunați la numărul de telefon specificat pe certificatul de garanție sau urmați instrucțiunile de pe site-ul web [www.whirlpool.eu](http://www.whirlpool.eu).

Atunci când contactați serviciul de asistență tehnică post-vânzare, specificați întotdeauna:

- o scurtă descriere a defecțiunii;
- tipul și modelul exact al aparatului;



- numărul de serie (numărul de după cuvântul SN de pe plăcuța cu date tehnice, amplasată sub aparat). De asemenea, numărul de serie este indicat în documentație;



Mod. XXX XXX

Ind.C. XXXX XXXX XXXX

Prod.N. 86999XXXXXXX S.N. XXXX XXXX XXXX

- adresa dumneavoastră completă;
- numărul dumneavoastră de telefon

Dacă sunt necesare orice fel de reparații, vă rugăm să contactați un serviciu de asistență tehnică post-vânzare autorizat (pentru a avea garanția că se folosesc piese de schimb originale și că reparațiile vor fi executate corect).



Изтеглете пълното ръководство с инструкции от <http://docs.whirlpool.eu> или се обадете на номера, посочен на книжката за гаранцията

⚠ Тези инструкции са валидни, ако символът на държавата е даден на уреда. Ако символът не е даден на уреда, е необходимо да направите справка с техническите инструкции, където ще намерите указанията относно модифицирането на уреда спрямо условията на употребата му в дадената държава.

⚠ **ВНИМАНИЕ:** При употреба на уред за готвене на газ се отделят топлина, влага и възпламеними вещества в помещението, където е монтиран уредът. Уверете се, че кухнята се проветрява добре, особено по време на използване на уреда: дръжте открити отворите за естествена вентилация или монтирайте устройство за механична вентилация (аспиратор с механична екстракция). При продължителна и интензивна употреба на уреда е възможно да има необходимост от допълнителна вентилация, например отваряне на прозорец, или от по-ефективна вентилация, като се увеличи нивото на механичната вентилация, ако е монтирано такова устройство.

⚠ Неспазването на информацията в това ръководство може да причини пожар или експлозия, което да доведе до имуществени щети или нараняване.

Преди използването на уреда прочетете инструкциите за безопасност. Запазете ги за бъдещи справки.

В тези указания и на самия уред са представени важни предупреждения за безопасността, които трябва да се прочетат и да се съблюдават винаги. Производителят отказва всякаква отговорност при неспазване на тези указания за безопасността, във връзка с неподходяща употреба на уреда или неправилна настройка на органите за управление.

⚠ **ПРЕДУПРЕЖДЕНИЕ:** Ако повърхността на готварския плот е напукана, не използвайте уреда - опасност от електрически удар.

⚠ **ПРЕДУПРЕЖДЕНИЕ:** Опасност от пожар: Не съхранявайте предмети по повърхностите предназначени за готвене.

⚠ **ВНИМАНИЕ:** Процесът на готвене трябва да се наблюдава. Краткотрайните процеси на готвене трябва да се наблюдават постоянно.

⚠ **ПРЕДУПРЕЖДЕНИЕ:** Готвенето на храни с мазнина или олио на плота без наблюдение може да се окаже опасно и да доведе до пожар. НИКОГА не се опитвайте да изгасите пожар с вода. Вместо това изключете уреда и покрийте пламъка, напр. с капак или противопожарно одеяло.

⚠ Не използвайте готварския плот като работен плот или поставка. Пазете дрехите и други запалими материали далеч от уреда, докато всички негови компоненти изстинат напълно - опасност от пожар.

⚠ Много малки деца (0-3 год.) трябва да стоят далеч от уреда. Малки деца (3-8 год.) трябва да стоят далеч от уреда, освен ако не са под постоянно наблюдение. Този уред може да се използва от деца на 8 години и по-големи, както и от лица с ограничени физически, сетивни или умствени възможности или с недостатъчен опит и познания само ако са под надзор или са им дадени инструкции за употребата на уреда по безопасен начин и разбират възможните опасности. Децата не трябва да си играят с уреда. Почистването и поддръжката от потребителя не трябва да се извършва от деца без надзор.

⚠ **ВНИМАНИЕ:** В случай на счупване на стъклото на плочата изключете незабавно всички горелки и всички електрически нагревателни елементи и изключете уреда от електрическата мрежа; не докосвайте повърхността на уреда; не използвайте уреда.

Стъкленият капак може да се счупи, ако се нагрее. Изключете всички горелки и електрически плочи, преди да затворите капака. Не затваряйте капака, докато горелката работи.

⚠ **ПРЕДУПРЕЖДЕНИЕ:** Уредът и откритите му части се нагорещават по време на работа. Внимавайте да не докосвате нагревателните елементи. Децата под 8-годишна възраст трябва да се пазят далеч от уреда, ако не се наблюдават непрекъснато.

#### **ПОЗВОЛЕНА УПОТРЕБА**

⚠ **ВНИМАНИЕ:** уредът не е предназначен за управление с външен таймер или отделна система с дистанционно управление.

⚠ Този уред е предназначен за употреба в домашни условия и подобни приложения, като: кухни за служители в магазини, офиси и други работни среди; в стопанства; от клиенти в хотели, мотели, помещения тип „легло със закуска“ и други места за настаняване.

⚠ Не е позволен никакъв друг вид употреба (напр. отопляване на помещения).

⚠ Този уред не е предназначен за професионална употреба. Не използвайте този уред на открито.

⚠ Използвайте тенджери и тигани, които имат дъна със същата широчина, като тази на горелките или малко по-голяма (вж. съответната таблица). Уверете се, че съдовете, поставени на решетките, не излизат извън краищата на плота.

⚠ Неправилната употреба на решетките може да доведе до повреда на плота за готвене: не поставяйте решетките с долната част нагоре и не ги плъзгайте по повърхността на плота за готвене.

Не позволявайте пламъкът на горелката да излиза извън ръба на съда. Ако повърхността на плочата е от стъклен материал, не използвайте чугунени тигани, плотове от стеатит, керамични тенджери и тигани. Не използвайте: разсейватели на топлина, като напр. метални мрежи или други подобни. Две горелки едновременно за един съд (напр. големи продълговати съдове за риба).

Ако особено местни условия при подаването на газ направят запалването на горелката трудно, се препоръчва да повторите операцията, като бутонът е завъртян на положение за малък пламък.

В случай на монтиране на аспиратор над плота за готвене, вижте инструкциите на аспиратора за правилното разстояние.

Предпазните гумени крачета под решетките могат да се погълнат от малки деца, с произтичащия от това риск от задушаване. След като свалите решетките, се уверете, че всички крачета са правилно поставени.

## МОНТИРАНЕ

⚠ Боравенето и монтажът на уреда трябва да се извършват от две или повече лица – съществува опасност от нараняване. Използвайте предпазни ръкавици при разопаковането и монтажа - има опасност от порязвания.

⚠ Електрическите и газовите връзки трябва да отговарят на местните нормативни разпоредби.

⚠ Монтирането, включително подаването на вода (ако е приложимо) и електрическото свързване и ремонт трябва да се извършват от квалифициран техник. Не поправяйте и не подменяйте части от уреда, ако това не е изрично посочено в ръководството на потребителя. Пазете децата далеч от мястото, където се извършва монтажът. След като разопаковате уреда, проверете дали не е повреден по време на транспортирането. В случай на проблеми се обърнете към доставчика или към най-близкия сервиз за поддръжка. След монтажа всички отпадъци от опаковките (пластмаса, стиропор и др.) трябва да се съхраняват далеч от обсега на деца – съществува опасност от задушаване. Уредът трябва да бъде изключен от захранването преди монтажа – съществува опасност от токов удар. По време на монтажа внимавайте уредът да не повреди захранващия кабел – съществува опасност от токов удар. Включете уреда едва след завършване на монтажа.

⚠ ПРЕДУПРЕЖДЕНИЕ: Модифицирането на уреда и начинът му на монтаж са от изключително значение за безопасната и правилна употреба на уреда във всички допълнителни държави.

⚠ Използвайте регулатори на налягането, подходящи за налягането на газа, посочено в инструкциите.

⚠ Помещението трябва да бъде оборудвано със система за екстракция на въздуха, която отвежда дима, образуван от запалването.

⚠ Освен това помещението трябва да позволява нормална циркулация на въздуха, тъй като за нормалното запалване е необходим въздух. Дебитът на въздух не трябва да бъде по-малък от 2 m<sup>3</sup>/h на киловат инсталирана мощност.

⚠ Системата за циркулация на въздух може да взема въздух отвън с помощта на тръба с вътрешно напречно сечение от най-малко 100 cm<sup>2</sup>; нейният отвор трябва да бъде свободен от каквито и да било запушвания.

⚠ Освен това системата може да достави необходимия за запалването въздух индиректно, т.е. от съседните помещения, ако те са оборудвани с тръби за циркулация на въздуха, както е описано по-нагоре. Тези помещения обаче не трябва да бъдат комунални, спални или помещения, в които съществува опасност от пожар.

⚠ Втечненият природен газ се спуска към пода, тъй като е по-тежък от въздуха. Затова помещенията, в които има бутилки с пропан-бутан, трябва също да разполагат с вентилационни отвори, през които да излезе газът при евентуално изтичане. Поради тази причина бутилките с пропан-бутан, частично или изцяло пълни, не трябва да се поставят или съхраняват в помещения или в зони за съхранение, които се намират под земята (напр. мазета и др.). Препоръчително е в помещението да държите само бутилката, която се използва, и тя да е разположена така, че да не се нагрява от външни източници на топлина (фурни, камини, печки и др.), които могат да повишат нейната температура над 50°C.

При трудности при завъртане на копчетата на горелките, моля свържете се с отдела за следпродажбено обслужване за смяна на кранчето на горелката, ако се установи, че то е повредено.

Никога не покривайте отворите за вентилация и разсейване на топлината.

⚠ Извършете всичката работа по рязането на шкафа, преди да поставите уреда в нишата, и внимателно отстранете всички дървени парченца и стърготини.

⚠ Ако уредът не е монтиран над фурна, трябва да се постави разделителен панел (не е включен) в нишата под уреда.

## ГАЗОВИ ВРЪЗКИ

⚠ ПРЕДУПРЕЖДЕНИЕ: Преди монтажа се уверете, че условията на местното газоразпределение (типът и налягането на газа) са съвместими с конфигурацията на уреда.

⚠ Проверете дали налягането на доставения газ съвпада със стойностите, дадени в Таблица "Характеристики на горелката и дюзата".

⚠ ПРЕДУПРЕЖДЕНИЕ: Конфигурационните условия на този уред са посочени на етикета (или табелката с данни).

⚠ ПРЕДУПРЕЖДЕНИЕ: Този уред не е свързан с устройство за отвеждане на вещества, отделяни при запалването. То трябва да се монтира и свърже в съответствие с действащите разпоредби за монтиране. Трябва да се обърне особено внимание на съответните изисквания за вентилация.

⚠ Ако уредите работят с втечен газ, регулиращият винт трябва да бъде затегнат възможно най-здраво.

⚠ ВАЖНО: Когато се използва газова бутилка, газовата бутилка или газовият контейнер трябва да бъдат правилно поставени (във вертикална позиция).

⚠ ПРЕДУПРЕЖДЕНИЕ: Тази операция трябва да се извърши от квалифициран техник.

⚠ Използвайте само гъвкави или твърди метални маркучи за газовите връзки.

⚠ Свързване с твърда тръба (медна или стоманена) Свързването към газовата система трябва да се извършита така, че да няма по никакъв начин напрежение върху уреда. С уреда е доставен регулируем L-образен фитинг за тръби, снабден с уплътнител против течове. След завъртане на фитинга за тръбата уплътнителят винаги трябва да се поставя отново (уплътнителят се доставя с уреда). Фитингът за тръбата за подаване на газ е резбован 1/2 цилиндричен „мъжки“ накрайник.

⚠ Свързване на гъвкава тръба от неръждаема стомана без съединения към резбован накрайник Фитингът за тръбата за подаване на газ е резбован 1/2 цилиндричен „мъжки“ накрайник. Тези тръби трябва да се монтират така, че в никакъв случай да не превишават 2000 mm, когато са разгънати докрай. След извършване на свързването се уверете, че гъвкавата метална тръба не влиза в контакт с движещите се части и не е притисната. Използвайте само тръби и уплътнители, които отговарят на действащите национални наредби.

⚠ **ВАЖНО:** Ако се използва маркуч от неръждаема стомана, той трябва да се монтира така, че да не се допира до подвижна част от мебелировката (напр. чекмедже). Той трябва да преминава през място, на което няма пречки и където може да се проверява цялата му дължина.

⚠ Уредът трябва да бъде свързан към основното подаване на газ или към газова бутилка, съгласно действащите национални наредби. Преди да извършите свързването, се уверете, че уредът е съвместим с подаването на газ, което желаете да използвате. При несъвместимост следвайте инструкциите, дадени в раздел “Приспособяване към различни видове газ”.

⚠ След свързването към източника на газ, проверете за течове, като използвате сапунена вода. Запалете горелките и завъртете копчетата от максимална позиция 1\* на минимална позиция 2\*, за да проверите стабилността на пламъка.

### **ПРИСПОСОБЯВАНЕ КЪМ РАЗЛИЧНИ ВИДОВЕ ГАЗ**

(Тази операция трябва да се извърши от квалифициран техник).

⚠ За да приспособите уреда към вид газ, различен от типа, за който е произведен (посочен на етикета с данни), следвайте стъпките, дадени след чертежите за монтаж.

### **ПРЕДУПРЕЖДЕНИЯ ВЪВ ВРЪЗКА С ЕЛЕКТРОЗАХРАНВАНЕТО**

⚠ **ВАЖНО:** Информацията относно консумацията на електроенергия и напрежението е предоставена на табелката с данни.

⚠ Трябва да е възможно уредът да се изключи от захранването чрез изваждане на щепсела, ако е достъпен, или чрез достъпен многополюсен превключвател, монтиран след контакта, както и уредът да е заземен в съответствие с националните стандарти за електрическа безопасност.

⚠ Захранващият кабел трябва да бъде достатъчно дълъг, за да позволи свързване на уреда към контакта на електрозахранването след като уредът се постави на мястото му. Не дърпайте захранващия кабел.

⚠ Не използвайте удължители, разклонители с няколко гнезда или адаптери. След монтирането електрическите компоненти не трябва да бъдат достъпни за потребителя. Не използвайте уреда, ако сте с мокри или боси крака. Не използвайте този уред, ако захранващият му кабел или щепсел е

повреден, ако не работи правилно или ако е бил повреден или изпускан.

⚠ Ако захранващият кабел е повреден, той трябва да се смени от производителя, негов сервизен агент или лице с аналогична квалификация, за да се избегне опасна ситуация.


### **ПОЧИСТВАНЕ И ПОДДРЪЖКА**

⚠ **ПРЕДУПРЕЖДЕНИЕ:** Преди извършване на каквато и да било дейност по поддръжката на уреда, се уверете, че той е изключен и не е свързан към захранването; никога не използвайте уреди за почистване с пара - има опасност от електрически удар.

⚠ Не използвайте абразивни или корозивни препарати, препарати на хлорна основа или стоманена вълна.

⚠ За избягване на повреда на електрическото устройство за запалване не го използвайте, когато горелките не са в гнездата си.

### **ИЗХВЪРЛЯНЕ НА ОПАКОВЪЧНИТЕ МАТЕРИАЛИ**


Опаковъчният материал е 100% годен за рециклиране и е маркиран със символа за рециклиране 

Различните части от опаковката трябва да бъдат изхвърлени отговорно и в съответствие с наредбите на местните органи за изхвърляне на отпадъци.

### **ИЗХВЪРЛЯНЕ НА ЕЛЕКТРОУРЕДИ**

Този уред е произведен с материали, годни за рециклиране или за повторно използване. При изхвърлянето му спазвайте местните разпоредби за изхвърляне на отпадъци. За допълнителна информация относно третирането, оползотворяването и рециклирането на домакински електроуреди се обърнете към компетентните местни органи, службата за битови отпадъци или магазина, от където сте закупили уреда. Този уред е маркиран в съответствие с Европейска директива 2012/19/ЕС, Отпадъчно електрическо и електронно оборудване (WEEE) и с правилата за отпадъчно електрическо и електронно оборудване от 2013 г. (с измененията).

Като се погрижите продуктът да бъде изхвърлен по правилен начин, Вие ще помогнете за предотвратяване на възможните негативни последици за околната среда и здравето на хората.

Символът  върху уреда или придружаващата го документация показва, че този уред не трябва да се третира като битов отпадък, а да бъде предаден в съответния събирателен пункт, предназначен за рециклиране на електрическа и електронна апаратура.

### **СЪВЕТИ ЗА ИКОНОМИЯ НА ЕНЕРГИЯ**

Използване на съдове с ширина на дъното, която е равна на тази на зоната за готвене.

Използвайте само тенджери и тигани с плоско дъно.

Когато е възможно, дръжте поставени капациите на съдовете по време на готвене.

Използвайте съд за готвене под налягане за спестяване дори на повече енергия и време.

Поставяйте съда в центъра на зоната за готвене, означена върху плочата.

### **ДЕКЛАРАЦИЯ ЗА СЪОТВЕТСТВИЕ**

Този уред отговаря на изискванията за екодизайн на Европейски регламент 66/2014 и Регламенти за екодизайн за енергийни продукти и енергийна информация (изменение) (ЕС изход) 2019, в съответствие с Европейски стандарт EN 30-2-1.

Вид на използвания газ	Вид горелка	Маркировка на дюзата	Номинална топлинна мощност кВт	Номинално потребление	Номинална топлинна капацитет кВт	Налягане на газа мбар		
						мин.	ном.	макс.
ПРИРОДЕН ГАЗ (Метан) <b>G20</b>	Полубърза (SR)	97	1,75	167 л/час	0,40	17	20	25
	Спомагателна (AUX)	78 A	1,00	95 л/час	0,40			
	2 пръстена (DC)	140 H3	3,50	333 л/час	2,20			
ВТЕЧЕН НЕФТЕН ГАЗ (Бутан) <b>G30</b>	Полубърза (SR)	67	1,75	127 г/час	0,40	20	30	35
	Спомагателна (AUX)	50	1,00	73 г/час	0,40			
	2 пръстена (DC)	94	3,50	254 г/час	2,20			
ВТЕЧЕН НЕФТЕН ГАЗ (Пропан) <b>G31</b>	Полубърза (SR)	67	1,75	125 г/час	0,40	25	30	35
	Спомагателна (AUX)	50	1,00	71 г/час	0,40			
	2 пръстена (DC)	94	3,50	250 г/час	2,20			

Вид на използвания газ	Конфигурация на модела 4 ГОРЕЛКИ	Номинална топлинна мощност (кВт)	Сумарно номинално потребление	Air required (m <sup>3</sup> ) for burning 1 m <sup>3</sup> of gas
<b>G20</b> 20 mbar	2SR - 1AUX - 1DC	8,00	762 л/час	9,52
<b>G30</b> 30 mbar	2SR - 1AUX - 1DC	8,00	581 г/час	30,94
<b>G31</b> 30 mbar	2SR - 1AUX - 1DC	8,00	5571 г/час	23,80

**ЕЛЕКТРОЗАХРАНВАНЕ: 220-240 V ~ 50-60 Хц**

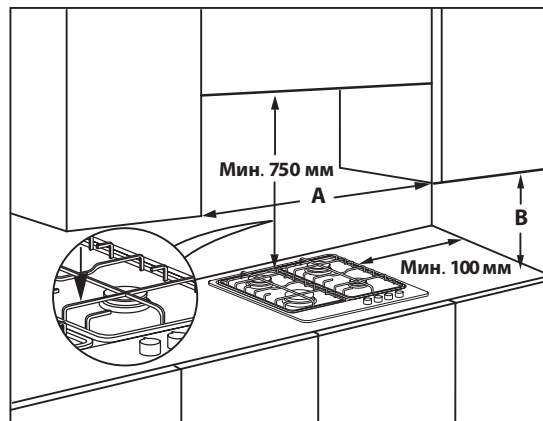
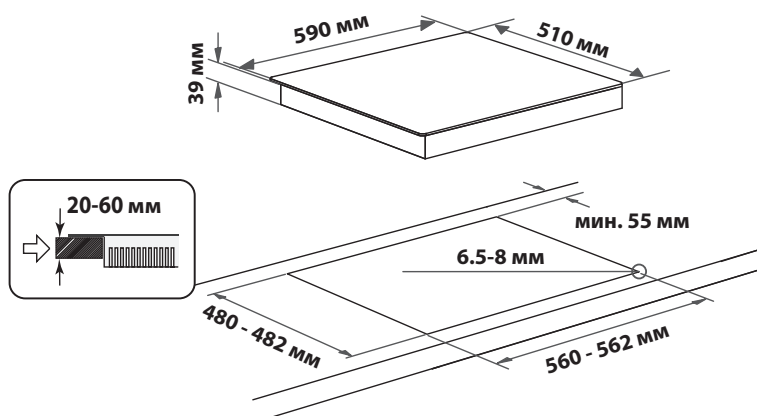


## МОНТИРАНЕ (КЛАС 3)

### ТЕХНИЧЕСКА ИНФОРМАЦИЯ ЗА ТЕХНИКА ИНСТАЛАТОР

- Използвайте предпазни ръкавици при работа, подготовка и монтиране на продукта.
- Този продукт може да се монтира в работен плот с дебелина от 20 до 60 mm.
- Ако под плочата за готвене няма фурна, поставете разделителен панел с площ, която най-малко е равна на отвора в работната повърхност. Този панел трябва да се постави на максимално разстояние от 150 mm под горната повърхност на работния плот, но в никакъв случай на помалко от 20 mm от долната страна на плочата за готвене. Ако под плочата ще се монтира фурна, се уверете, че тя е оборудвана с охлаждаща система.

### РАЗМЕРИ НА ПЛОЧАТА ЗА ГОТВЕНЕ И РАБОТНИЯ ПЛОТ



**ЗАБЕЛЕЖКА:** ако разстоянието „А“ между стенните шкафов е между 600 mm и 730 mm, височината „В“ трябва да е най-малко 530 mm. Ако разстоянието „А“ между стенните шкафов е по-голямо от ширината на плочата за готвене, височината „В“ трябва да е най-малко 400 mm. В случай на монтиране на аспиратор над плочата за готвене, вижте инструкциите за аспиратора относно правилните разстояния

### СГЛОБЯВАНЕ

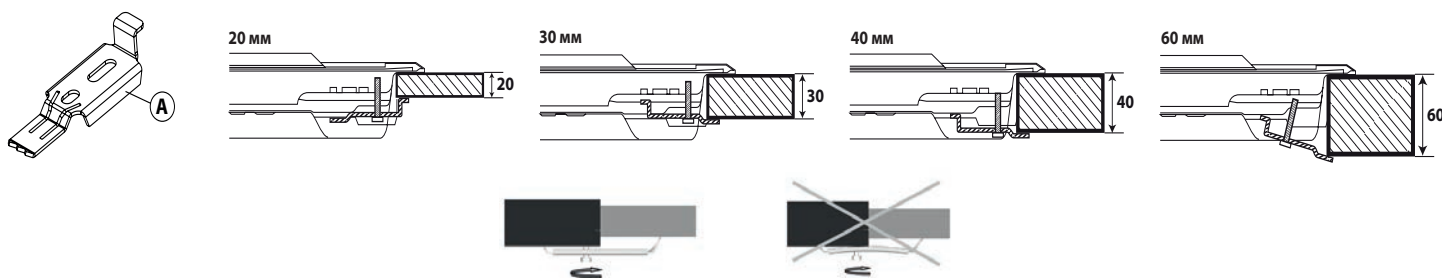
След като почистите периметралната повърхност, поставете предоставеното уплътнение на плочата за готвене, както е показано на фигурата.



Поставете плочата за готвене в отвора на работния плот, направен в съответствие с размерите, посочени в инструкциите.

**ЗАБЕЛЕЖКА:** захранващият кабел трябва да е достатъчно дълъг, за да може да се изведе нагоре.

За да обезопасите плочата за готвене, използвайте скобите (А), предоставени с нея. Поставете скобите в съответните отвори, посочени със стрелката, и фиксирайте с техните винтове според дебелината на работния плот (вижте фигурите по-долу).

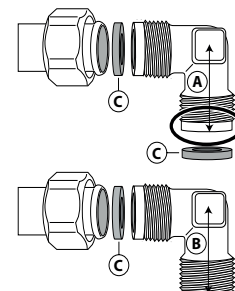


### ГАЗОВИ ВРЪЗКИ

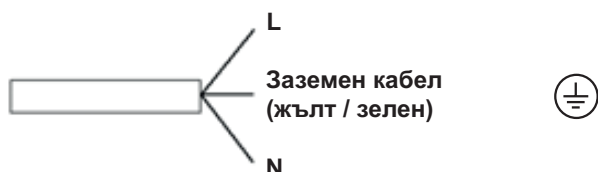
- Свържете коляното (А)\* или (В)\*, предоставено с плочата, с основната тръба за подаване на газ към плочата за готвене и поставете предоставената шайба (С) в съответствие с EN 549.

\* Използвайте коляно (А) за Франция и коляно (В) за всички други държави.

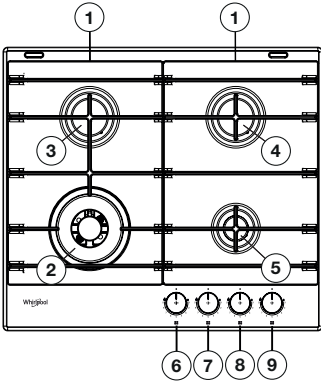
- След свързването към източника на газ, проверете за течове, като използвате сапунена вода. Запалете горелките и завъртете бутоните от максимална позиция ↻ на минимална позиция ↻, за да проверите стабилността на пламъка.



### ЕЛЕКТРИЧЕСКА ВРЪЗКА



# ОПИСАНИЕ НА ИЗДЕЛИЕТО



1. Знімні решітки для кастрюль
2. 2-кільцева конфорка
3. Напівшвидка конфорка
4. Напівшвидка конфорка
5. Допоміжна конфорка
6. Ручка керування потужністю 2-кільцевої конфорки
7. Ручка керування потужністю напівшвидкої конфорки
8. Ручка керування потужністю напівшвидкої конфорки
9. Ручка керування потужністю допоміжної конфорки



## Символи

- Зафарбований круг ● Перекритий кран
- Велике полум'я Максимальний отвір/подача й електричне запалювання
- Мале полум'я Мінімальний отвір і знижена подача

# ИСПОЛЗВАНЕ ЗА ПРЪВ ПЪТ

## КАК ДА СЕ ИСПОЛЗВА ПЛОЧАТА ЗА ГОТВЕНЕ

**⚠** Не позволявайте пламъкът на горелката да излиза извън ръба на съда.

**ВАЖНО:** когато плочата за готвене се използва, цялата област около нея може да стане гореща.

- За да запалите една от горелките, завъртете съответния бутон обратно на часовниковата стрелка до положение на максимален пламък.
- Натиснете бутона към контролния панел, за да запалите горелката.
- След като горелката се запали, задръжте бутона натиснат за около 5-10 секунди, за да се осигури правилна работа на уреда.
- Защитното устройство на горелката прекъсва подаването на газ, ако случайно пламъкът изгасне (поради неочаквано въздушно течение, прекъсване на газоподаването, изкипяване на течности и т.н.).
- **Бутонът не трябва да се натиска за повече от 15 сек. Ако след този период горелката не остане запалена, изчакайте поне една минута, преди да опитате да я запалите отново.**

**ЗАБЕЛЕЖКА:** ако особено местни условия при подаването на газ направят запалването на горелката трудно, се препоръчва да повторите операцията, като бутонът е завъртян на положение за малък пламък.

Горелката може да изгасне, когато бутонът се отпусне. Това означава, че защитното устройство не се е загреало достатъчно. В този случай повторете операцията, описани по-горе.

Ако пламъкът бъде неволно изгасен, изключете контролния превключвател и изчакайте поне 1 минута преди да опитате отново да запалите горелката.

## ПРАКТИЧЕСКИ СЪВЕТИ ЗА ИСПОЛЗВАНЕТО НА ГОРЕЛКИТЕ

Тази плоча за готвене разполага с горелки с различни диаметри. За по-добра работа на горелката спазвайте следните правила:

- Използвайте съдове с дъна със същата ширина като тази на горелките или малко по-голяма (вижте таблицата вдясно).
- Използвайте само съдове с плоско дъно.
- Използвайте правилното количество вода за готвене на храните и дръжте съда затворен.
- Уверете се, че съдовете, поставени върху решетките, не излизат извън краищата на плочата за готвене.
- В случаи със съдове с конвексно дъно (УОК), използвайте предоставената опорна решетка, която трябва да се поставя само на многопръстенната горелка.
- Избягвайте неволно удяране с тенджери, скари или други кухненски прибори.
- Не оставяйте празни грил тигани върху запалена горелка за повече от 5 минути.

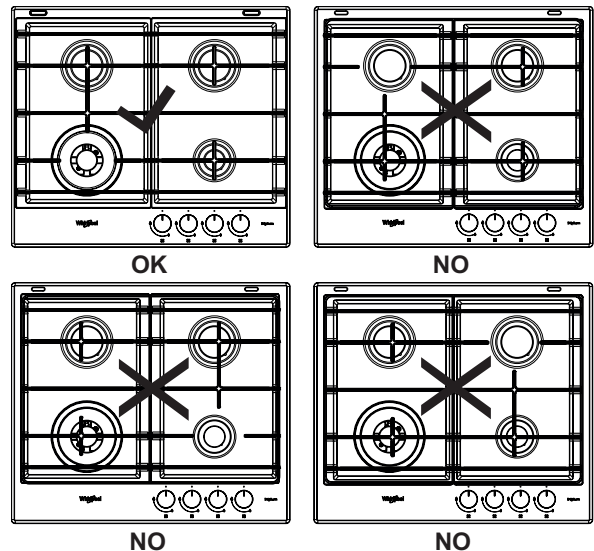
**ВАЖНО:** неправилната употреба на решетките може да доведе до повреда на плочата за готвене: не поставяйте решетките с долната част нагоре и не ги плъзгайте по повърхността на плочата за готвене.

ГОРЕЛКА	Ø НА ГОТВАРСКИЯ СЪД
2 пръстена	От 24 до 26 см
Полубърза горелка	От 16 до 24 см
Допълнителна горелка	От 8 до 14 см

Не използвайте:

- Чугунени тигани скари, съдове от стеатит и теракота.
- Устройства за разсейване на топлина, като метални мрежи или други видове.
- Две горелки едновременно за един съд (напр. съд за готвене на цяла риба).

## ПРАВИЛНОТО ПОЗИЦИОНИРАНЕ НА РЕШЕТКИТЕ



## НАСТРОЙВАНЕ ЗА РАЗЛИЧНИ ВИДОВЕ ГАЗ

**⚠** Тази операция трябва да се извърши от квалифициран техник.

Ако уредът ще се използва с вид газ, различен от посочения на табелката с номиналните данни и етикета за информация в горната част на плочата за готвене, сменете инжекторите.

Отстранете етикета за информация и го запазете с брошурата с инструкции.

**Използвайте регулатори на налягането, подходящи за налягането на газа, посочено в инструкциите:**

- Газовият инжектор трябва да се смени от отдела за следпродажбено обслужване или квалифициран техник.
- Инжекторът, който не е предоставен с уреда, трябва да се поръча от отдела за следпродажбено обслужване.
- Регулирайте минималната настройка на крановете.

**ЗАБЕЛЕЖКА:** когато се използва течен нефтен газ (G30/G31), винтът за минималната настройка на газа трябва да се завие докрай.

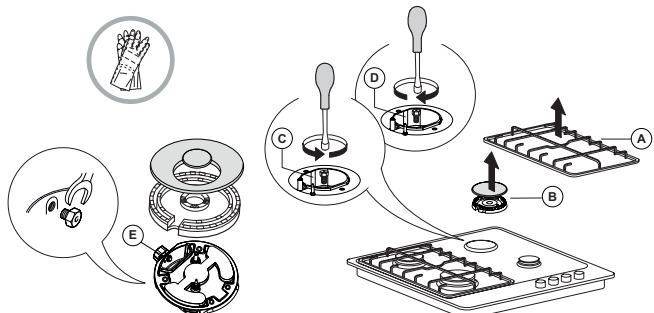
**ВАЖНО:** ако срещнете затруднения при завъртането на бутоните на горелките, свържете се с отдела за следпродажбено обслужване за подмяна на крана на горелката, ако се установи, че е повреден.

**ВАЖНО:** когато се използва газов цилиндър, газовият цилиндър или газовата бутилка трябва да е правилно поставена (във вертикална позиция).

**СМЯНА НА ИНЖЕКТОРИТЕ (вижте таблицата за инжекторите в инструкциите за безопасност)**

⚠ Тази операция трябва да се извърши от квалифициран техник.

- Отстранете решетките (A).
- Извадете горелките (B).
- Като използвате гаечен ключ с подходящ размер, развийте инжектора (C), който трябва да се смени.
- Сменете го с инжектор, подходящ за новия вид газ.
- Монтирайте обратно инжектора в (D).
- Ако имате многопламъчна горелка, използвайте гаечен ключ със страничен отвор, за да смените инжектора (E).



Преди да монтирате плочата за готвене, не забравяйте да поставите табелката за калибриране на газ така, че да отговаря на наличната информация относно калибрирането на газа.

**РЕГУЛИРАНЕ НА МИНИМАЛНОТО ПОЛОЖЕНИЕ НА КРАНОВЕТЕ ЗА ГАЗ**

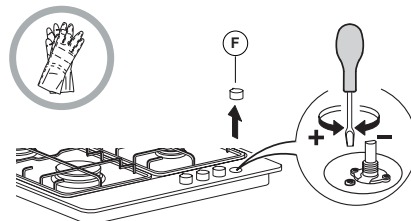
⚠ Тази операция трябва да се извърши от квалифициран техник.

Регулирането трябва да се извърши, докато кранът е в позиция за подаване на минимално количество газ (малък пламък) ⚡:

Първичният въздух на горелките не трябва да се регулира.

За да се гарантира, че минималната настройка е правилно регулирана, отстранете бутона и извършете следното:

- затегнете винта за намаляване на височината на пламъка (-);
- разхлабете винта за увеличаване на височината на пламъка (+).
- На този етап, запалете горелките и завъртете бутоните от максимална позиция ⚡ до минимална позиция ⚡, за да проверите стабилността на пламъка.



След като завършите регулирането, уплътнете отново, като използвате уплътнителен восък или еквивалентен материал.

**ПЛАМЪК НА НЯКОЛКО НИВА**

НИВО	МЕТОД/ТИП НА ГОТВЕНЕТО (ПРЕПОРЪЧИТЕЛНО ЗА)	НЯКОИ СЪВЕТИ ЗА ГОТВЕНЕ
1-2	ПОДДЪРЖАНЕ НА ТОПЛИНА	Много подходящо за размекване на масло, внимателно разтопяване на шоколад, размразяване на малки количества храна, приготвяне на кремообразна текстура за ризото.
	ВНИМАТЕЛНО ГОТВЕНЕ	
3-4	КЪКРЕНЕ	Много подходящо за рецепти, изискващи бавно приготвяне (ориз, сосове, печено, риба) и съдържащи течности (напр. вода, вино, бульон), както и за приготвяне на кремообразна текстура за паста, поддържайки леко кипене.
	ЗАДУШАВАНЕ	
5-6	ПЕЧЕНЕ	Много подходящо за сотиране и задушаване на зеленчуци, продължително готвене, предварително загряване на принадлежности и готвене до постигане на кремообразна текстура.
	ПЪРЖЕНЕ	
7-8	ПЪРЖЕНЕ С РАЗБЪРКВАНЕ (УОК ТЕХНИКА)	Много подходящо за запичане, в началото на готвенето, бързо завиране на течности, пържене на дълбоко замразени продукти, печене на месо и риба, поддържайки буйно кипене.
	ГРИЛОВАНЕ	
9	БЪРЗО ЗАГРЯВАНЕ	Много подходящо за бързо увеличаване на температурата на храната или за загряване на течности (вода).

**ПОДДРЪЖКА И ПОЧИСТВАНЕ**

⚠ Изключете уреда от електрозахранването.

**ПОЧИСТВАНЕ НА ПОВЪРХНОСТТА НА ПЛОЧАТА ЗА ГОТВЕНЕ**

- Всички емайлирани и стъклени части трябва да се почистват с топла вода и неутрален разтвор.
- По повърхностите от неръждаема стомана може да се появят петна от варовита вода или агресивни почистващи препарати, ако те се оставят в контакт с тях прекалено дълго време. Всякакви разливи на храни (вода, сос, кафе и др.) трябва да се изтриват, преди да засъхнат.
- Почистете с топла вода и неутрален почистващ препарат, след което подсушете с мека кърпа или гюдерия. Отстранете запечените замърсявания със специални почистващи препарати за повърхности от неръждаема стомана.

**ЗАБЕЛЕЖКА: почиствайте повърхностите от неръждаемата стомана само с мека кърпа или гъба.**

- Не използвайте абразивни или корозивни продукти, почистващи препарати на хлорна основа или телчета.
- Не използвайте уреди за почистване с пара.

- Не използвайте възпламеними продукти.
- Не оставяйте вещества с киселинни или основни свойства, като оцет, горчица, сол, захар, лимонов сок, върху плочата за готвене.

**ПОЧИСТВАНЕ НА ЧАСТИТЕ НА ПЛОЧАТА ЗА ГОТВЕНЕ**

- Почиствайте стъклените и емайлираните части само с мека кърпа или гъба.
- Решетките, капачките на горелките и горелките могат да се отстраняват за почистване.
- Почиствайте ги на ръка с топла вода и неабразивен почистващ препарат, като отстраните всички остатъци от храна и проверете дали отворите на горелките не са запушени.
- Изплакнете и подсушете.
- **Чугунените решетки могат да се почистват в съдомиялна машина.**
- **Отстранете всяка загоряла храна, преди да поставите решетките в най-ниския рафт в съдомиялната машина.**
- Поставете обратно правилно капачките на горелките на съответните места.

- Когато поставяте решетките, се уверете, че областта за поставяне на съдове е подравнена с горелката.
- Моделите, снабдени със свещи за електрическо запалване и защитно устройство, изискват щателно почистване на края на свещта, за да се гарантира правилното функциониране. Проверявайте често тези елементи и, ако е необходимо, ги почиствайте с влажна кърпа. Всички остатъци от запечени храни трябва да се отстраняват с клечка за зъби или игла.

**ЗАБЕЛЕЖКА: за избягване на повреда на електрическото устройство за запалване не го използвайте, когато горелките не са в гнездата си.**

## ОТСТРАНЯВАНЕ НА НЕИЗПРАВНОСТИ

Ако плочата за готвене не работи както трябва, преди да позвъните на отдела за следпродажбено сервизно обслужване, вижте ръководството за отстраняване на неизправности, за да установите проблема.

### 1. Горелката не може да се запали или пламъкът е неравномерен

Проверете дали:

- Подаването на газ или електричество не е изключено и по-конкретно дали кранът за подаване на газ е отворен.
- Газовата бутилка (течен газ) не е празна.
- Отворите на горелката не са запушени.
- Краят на свещта не е замърсен.
- Всички части на горелката са поставени правилно.
- Няма въздушно течение в близост до плочата за готвене.

### 2. Горелката не може да остане запалена

Проверете дали:

- При запалването на горелката бутонът е бил натиснат достатъчно дълго време, за да се активира защитното устройство.
- Отворите на горелката не са запушени в близост до термодвойката.
- Краят на защитното устройство не е замърсен.
- Минималната настройка на газа е правилна (вижте съответния параграф).

### 3. Съдовете не са стабилни

Проверете дали:

- Дъното на съда е напълно равно.
- Съдът е поставен в центъра на горелката.
- Решетките не са разменени или неправилно поставени.

Ако след извършване на горепосочените проверки неизправността все още продължава, свържете се с най-близкия отдел за следпродажбено обслужване.

## СЛЕДПРОДАЖБЕНО ОБСЛУЖВАНЕ

За да получавате по-пълно съдействие, регистрирайте Вашия уред на [www.whirlpool.eu/register](http://www.whirlpool.eu/register).

### ПРЕДИ ДА СЕ ОБАДИТЕ НА ОТДЕЛА ЗА СЛЕДПРОДАЖБЕНО ОБСЛУЖВАНЕ:

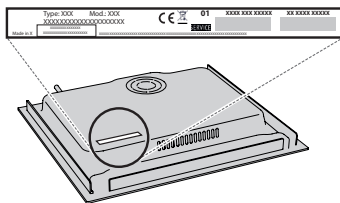
1. Проверете дали можете да отстраните сами проблема с помощта на предложенията, дадени в раздела **ОТСТРАНЯВАНЕ НА НЕИЗПРАВНОСТИ**.
2. Изключете уреда и го включете отново, за да проверите дали неизправността е отстранена.

### АКО СЛЕД ИЗВЪРШВАНЕ НА ГОРЕПОСОЧЕНИТЕ ПРОВЕРКИ НЕИЗПРАВНОСТТА ВСЕ ОЩЕ НЕ Е ОТСТРАНЕНА, СВЪРЖЕТЕ СЕ С НАЙ-БЛИЗКИЯ ОТДЕЛ ЗА СЛЕДПРОДАЖБЕНО ОБСЛУЖВАНЕ.

За да получите съдействие, се обадете на номера, написан на книжката за гаранция, или следвайте инструкциите на уебсайта [www.whirlpool.eu](http://www.whirlpool.eu).

Когато се свържете с отдела за следпродажбено обслужване, винаги посочвайте:

- кратко описание на неизправността;
- точния тип и модел на уреда;



- сериен номер (номерът след думата SN на табелката с номинални данни, разположена под уреда). Сериенният номер е посочен също и в документацията;



Mod. XXX XXX

Ind.C. XXXX XXXX XXXX

Prod.N. 86999XXXXXXXX S.N. XXXX XXXX XXXX

- Вашия пълен адрес;
- Вашия телефонен номер.

Ако се налагат някакви поправки, моля, свържете се с оторизиран отдел за следпродажбено обслужване (за да бъдете сигурни, че ще бъдат използвани оригинални резервни части и поправките ще бъдат извършени правилно).



Κατεβάστε το πλήρες εγχειρίδιο οδηγιών από την ιστοσελίδα <http://docs.whirlpool.eu> ή καλέστε τον αριθμό που υπάρχει στο βιβλιαράκι εγγύησης.

⚠ Αυτές οι οδηγίες ισχύουν εάν εμφανίζεται στη συσκευή το σύμβολο της χώρας. Εάν το σύμβολο δεν εμφανίζεται στη συσκευή, πρέπει να ανατρέξετε στις τεχνικές οδηγίες που θα σας παρέχουν τις απαραίτητες οδηγίες για την τροποποίηση της συσκευής στην κατάσταση που απαιτείται για χρήση στη χώρα σας.

⚠ ΠΡΟΣΟΧΗ: Η χρήση της συσκευής μαγειρέματος με αέριο έχει ως αποτέλεσμα την παραγωγή θερμότητας, υγρασίας και προϊόντων καύσης στο χώρο όπου είναι εγκατεστημένη. Βεβαιωθείτε ότι η κουζίνα αερίζεται καλά ειδικά όταν η συσκευή βρίσκεται σε λειτουργία: διατηρείτε τις οπές εξαερισμού ανοιχτές ή εγκαταστήστε μια μηχανική συσκευή εξαερισμού (μηχανικός απορροφητήρας). Η παρατεταμένη εντατική χρήση της συσκευής μπορεί να απαιτεί περισσότερο εξαερισμό, όπως π.χ. το άνοιγμα του παραθύρου, ή πιο αποτελεσματικό εξαερισμό, αυξάνοντας το επίπεδο μηχανικού αερισμού (όταν υπάρχει).

⚠ Η μη ακριβής τήρηση των πληροφοριών σε αυτό το εγχειρίδιο μπορεί να προκαλέσει πυρκαγιά ή έκρηξη, με αποτέλεσμα υλικές ζημιές ή τραυματισμό.

Πριν χρησιμοποιήσετε τη συσκευή, διαβάστε αυτές τις οδηγίες για την ασφάλεια. Φυλάξτε τις οδηγίες σε κοντινό σημείο για μελλοντική αναφορά.

Αυτές οι οδηγίες και η συσκευή περιλαμβάνουν σημαντικές προειδοποιήσεις σχετικά με την ασφάλεια, τις οποίες πρέπει να τηρείτε σε κάθε περίπτωση. Ο κατασκευαστής δεν φέρει καμία ευθύνη για τη μη τήρηση αυτών των οδηγιών ασφαλείας, για ακατάλληλη χρήση της συσκευής ή λανθασμένη ρύθμιση των χειριστηρίων.

⚠ ΠΡΟΕΙΔΟΠΟΙΗΣΗ: Αν η επιφάνεια της εστίας είναι ραγισμένη, μην χρησιμοποιείτε τη συσκευή – κίνδυνος ηλεκτροπληξίας.

⚠ ΠΡΟΕΙΔΟΠΟΙΗΣΗ: Κίνδυνος πυρκαγιάς: μην αποθηκεύετε στοιχεία στις επιφάνειες μαγειρέματος.

⚠ ΠΡΟΣΟΧΗ: Η διαδικασία μαγειρέματος πρέπει να παρακολουθείται. Μια σύντομη διαδικασία μαγειρέματος πρέπει να παρακολουθείται συνεχώς.

⚠ ΠΡΟΕΙΔΟΠΟΙΗΣΗ: Είναι επικίνδυνο να μαγειρεύετε με λίπη ή λάδι σε εστία χωρίς επιτήρηση - κίνδυνος πυρκαγιάς. Μην προσπαθείτε ΠΟΤΕ να σβήσετε μια φωτιά με νερό, αλλά σβήστε τη συσκευή και μετά καλύψτε τη φλόγα, π.χ. με ένα καπάκι ή μια πυρίμαχη κουβέρτα.

⚠ Μην χρησιμοποιείτε τη μονάδα εστιών ως επιφάνεια εργασίας. Διατηρείται τα ρούχα ή άλλα εύφλεκτα υλικά μακριά από τη συσκευή, έως ότου όλα τα εξαρτήματα να έχουν κρυώσει εντελώς - κίνδυνος πυρκαγιάς.

⚠ Τα πολύ μικρά παιδιά (0-3 ετών) πρέπει να διατηρούνται μακριά από τη συσκευή. Κρατήστε τα μικρά παιδιά (3-8 ετών) μακριά από τη συσκευή εκτός εάν επιτηρούνται διαρκώς. Η συσκευή μπορεί να

χρησιμοποιηθεί από παιδιά ηλικίας 8 ετών και άνω ή άτομα με μειωμένες σωματικές, αισθητηριακές ή διανοητικές ικανότητες ή με έλλειψη εμπειρίας και γνώσης της συσκευής, μόνο εφόσον βρίσκονται υπό επιτήρηση ή έχουν λάβει οδηγίες σχετικά με την ασφαλή χρήση της συσκευής και κατανοούν τους κινδύνους που συνεπάγεται. Τα παιδιά απαγορεύεται να παίζουν με τη συσκευή. Ο καθαρισμός και η συντήρηση από τον χρήστη δεν πρέπει να εκτελούνται από παιδιά χωρίς επιτήρηση.

⚠ ΠΡΟΣΟΧΗ: Σε περίπτωση θραύσης της γυάλινης πλάκας: απενεργοποιήστε αμέσως όλες τις εστίες και οποιαδήποτε ηλεκτρική αντίσταση και απομονώστε τη συσκευή από την παροχή ρεύματος, μην αγγίζετε την επιφάνεια της συσκευής, μην χρησιμοποιείτε τη συσκευή. Το γυάλινο καπάκι μπορεί να σπάσει αν ζεσταθεί. Σβήστε όλες τις εστίες και την ηλεκτρική πλάκα πριν κλείσετε το καπάκι. Μην κλείνετε το καπάκι όταν η εστία είναι αναμμένη.

⚠ ΠΡΟΕΙΔΟΠΟΙΗΣΗ: Η συσκευή και τα προσβάσιμα εξαρτήματά της μπορεί να ζεσταθούν κατά τη διάρκεια της χρήσης. Πρέπει να είστε προσεκτικοί, ώστε να αποφεύγετε τυχόν επαφή με τα θερμαντικά στοιχεία. Τα παιδιά κάτω των 8 ετών δεν πρέπει να πλησιάζουν τη συσκευή, εκτός εάν επιτηρούνται διαρκώς.

### ΕΠΙΤΡΕΠΟΜΕΝΗ ΧΡΗΣΗ

⚠ ΠΡΟΣΟΧΗ: Η συσκευή δεν προορίζεται για χρήση σε συνδυασμό με εξωτερικό χρονοδιακόπτη ή ξεχωριστό σύστημα απομακρυσμένου ελέγχου.

⚠ Η συσκευή αυτή έχει σχεδιαστεί για οικιακή χρήση καθώς και για παρόμοιες χρήσεις όπως χώροι κουζίνας προσωπικού σε καταστήματα, γραφεία και σε άλλους χώρους εργασίας, αγροκτήματα, από πελάτες σε ξενοδοχεία, μοτέλ, bed & breakfast και άλλους χώρους κατοικίας.

⚠ Δεν επιτρέπεται οποιαδήποτε άλλη χρήση (π.χ. θέρμανση δωματίων).

⚠ Αυτή η συσκευή δεν προορίζεται για επαγγελματική χρήση. Μην χρησιμοποιείτε τη συσκευή σε εξωτερικό χώρο.

⚠ Χρησιμοποιείτε κατσαρόλες και τηγάνια με πλάτος βάσης ίσο ή ελαφρώς μεγαλύτερο (ανατρέξτε στον ειδικό πίνακα). Βεβαιωθείτε ότι οι κατσαρόλες στις σχάρες δεν προεξέχουν από το άκρο της μονάδας εστιών.

⚠ Η ακατάλληλη χρήση των σχαρών μπορεί να προκαλέσει ζημιά στη μονάδα εστιών: μην τοποθετείτε τις σχάρες ανάποδα και μην τις σέρνετε επάνω στη μονάδα εστιών.

Η φλόγα του καυστήρα δεν πρέπει να εκτείνεται μετά το άκρο του σκεύους. Εάν η επιφάνεια της εστίας είναι από γυάλινο υλικό, μην χρησιμοποιείτε ταψιά από χυτοσίδηρο (μαντέμι), φυσική πέτρα, πήλινα σκεύη και τηγάνια. Μην χρησιμοποιείτε: Αντικείμενα που προκαλούν διάχυση της θερμότητας όπως μεταλλικά πλέγματα ή άλλου τύπου. Δύο καυστήρες ταυτόχρονα για ένα σκεύος (π.χ. κατσαρόλα για ψάρι).

Εάν η ανάφλεξη του καυστήρα είναι δύσκολη λόγω ειδικών τοπικών συνθηκών στην παροχή αερίου, συνιστάται να στρίψετε το κουμπί στη ρύθμιση μικρής φλόγας και να επαναλάβετε τη διαδικασία.

Σε περίπτωση εγκατάστασης απορροφητήρα επάνω από τη μονάδα εστιών, ανατρέξτε στις οδηγίες του απορροφητήρα για τη σωστή απόσταση. Τα προστατευτικά ελαστικά πόδια στις σχάρες μπορεί να προκαλέσουν τον πνιγμό μικρών παιδιών. Αφού αφαιρέσετε τις σχάρες, βεβαιωθείτε ότι όλα τα ποδαράκια είναι σωστά τοποθετημένα.

## ΕΓΚΑΤΑΣΤΑΣΗ

⚠ Ο χειρισμός και η εγκατάσταση της συσκευής πρέπει να γίνονται από δύο ή περισσότερα άτομα - κίνδυνος τραυματισμού. Χρησιμοποιείτε γάντια προστασίας για να αφαιρέσετε τη συσκευασία και να κάνετε την εγκατάσταση - κίνδυνος κοψίματος.

⚠ Οι συνδέσεις ηλεκτρικού ρεύματος και αερίου πρέπει να συμμορφώνονται με τον τοπικό κανονισμό.

⚠ Η εγκατάσταση, συμπεριλαμβανομένης της παροχής νερού (εάν υπάρχει), τις ηλεκτρικές συνδέσεις και τις επισκευές, πρέπει να πραγματοποιούνται από τεχνικά εξειδικευμένο προσωπικό. Μην επισκευάζετε και μην αντικαθιστάτε κανένα εξάρτημα της συσκευής, εκτός εάν αναφέρεται ρητά στο εγχειρίδιο χρήσης. Κρατήστε τα παιδιά μακριά από το χώρο εγκατάστασης. Μετά από την αποσυσκευασία της συσκευής, βεβαιωθείτε ότι δεν έχει προκληθεί ζημιά σε αυτήν κατά τη μεταφορά. Σε περίπτωση προβλημάτων, επικοινωνήστε με τον αντιπρόσωπο ή με το τμήμα τεχνικής υποστήριξης πελατών. Μετά την εγκατάσταση, τα υλικά συσκευασίας (πλαστικά, φελιζόλ, κ.λπ.) πρέπει να φυλάσσονται μακριά από τα παιδιά - κίνδυνος ασφυξίας. Η συσκευή πρέπει να αποσυνδέεται από την ηλεκτρική τροφοδοσία πριν από κάθε εργασία εγκατάστασης - κίνδυνος ηλεκτροπληξίας. Κατά την εγκατάσταση, βεβαιωθείτε ότι δεν έχει προκληθεί ζημιά στο καλώδιο τροφοδοσίας από τη συσκευή - κίνδυνος πυρκαγιάς ή ηλεκτροπληξίας. Ενεργοποιήστε τη συσκευή μόνο εφόσον ολοκληρωθεί η εγκατάσταση.

⚠ ΠΡΟΕΙΔΟΠΟΙΗΣΗ: Η τροποποίηση της συσκευής και του τρόπου εγκατάστασης της είναι απαραίτητα προκειμένου η συσκευή να χρησιμοποιείται σωστά και με ασφάλεια σε όλες τις επιπλέον χώρες.

⚠ Χρησιμοποιήστε ρυθμιστές πίεσης κατάλληλους για την πίεση αερίου που αναφέρεται στις οδηγίες.

⚠ Ο χώρος πρέπει να διαθέτει σύστημα εξαγωγής αέρα που θα αποβάλλει τους καπνούς καύσης.

⚠ Ο χώρος πρέπει επίσης να επιτρέπει την κατάλληλη κυκλοφορία του αέρα, καθώς ο αέρας είναι απαραίτητος για την κανονική καύση. Η ροή του αέρα δεν πρέπει να είναι λιγότερη από 2 m<sup>3</sup>/h για kW εγκατεστημένης ισχύος.

⚠ Το σύστημα κυκλοφορίας αέρα μπορεί να λαμβάνει αέρα απευθείας από το εξωτερικό μέσω σωλήνα με εσωτερική διατομή τουλάχιστον 100 cm<sup>2</sup>, το άνοιγμα δεν πρέπει να υπόκειται σε κανενός είδους έμφραξη.

⚠ Το σύστημα μπορεί επίσης να παρέχει τον αέρα που απαιτείται για καύση έμμεσα, δηλ. από γειτονικούς χώρους εξοπλισμένους με σωλήνες κυκλοφορίας αέρα όπως περιγράφεται παραπάνω. Ωστόσο, αυτοί οι χώροι δεν πρέπει να είναι κοινόχρηστα δωμάτια, υπνοδωμάτια ή δωμάτια που ενδέχεται να παρουσιάζουν κίνδυνο πυρκαγιάς.

⚠ Το LPG βυθίζεται στο πάτωμα καθώς είναι βαρύτερο από τον αέρα. Συνεπώς, τα δωμάτια που περιέχουν

φιάλες LPG πρέπει να είναι εφοδιασμένα με εξαεριστήρες για να επιτρέπουν τη διαφυγή αερίου σε περίπτωση διαρροής. Ως εκ τούτου, οι φιάλες LPG, είτε εντελώς γεμάτες ή εν μέρει γεμάτες, δεν πρέπει να εγκαθίστανται ή να αποθηκεύονται σε χώρους ή αποθηκευτικούς χώρους που βρίσκονται κάτω από το έδαφος (κελάρια κλπ.). Συνιστάται να διατηρείτε μόνο τη φιάλη που χρησιμοποιείτε στο χώρο, τοποθετημένη έτσι ώστε να μην υπόκειται σε θερμότητα που παράγεται από εξωτερικές πηγές (φούρνοι, τζάκια, θερμάστρες κ.λπ.) που θα μπορούσαν να αυξήσουν τη θερμοκρασία της φιάλης πάνω από τους 50 °C.

Εάν έχετε δυσκολία στην περιστροφή των διακοπών των καυστήρων, παρακαλούμε επικοινωνήστε με το σέρβις για την αντικατάσταση της στρόφιγγας του καυστήρα εάν βρεθεί ότι είναι ελαττωματική. Τα ανοίγματα που χρησιμοποιούνται για εξαερισμό και για διάχυση της θερμότητας δεν πρέπει ποτέ να καλύπτονται.

⚠ Εκτελέστε όλες τις εργασίες κοπής του επίπλου πριν να τοποθετήσετε τη συσκευή στο περιβλήμα και αφαιρέστε προσεκτικά όλα τα ροκανίδια και τα πριονίδια.

⚠ Αν η συσκευή δεν εγκατασταθεί πάνω σε ένα φούρνο, πρέπει να τοποθετηθεί ένα διαχωριστικό πάνελ (δεν περιλαμβάνεται) στο χώρο κάτω από τη συσκευή.

## ΣΥΝΔΕΣΗ ΑΕΡΙΟΥ

⚠ ΠΡΟΕΙΔΟΠΟΙΗΣΗ: Πριν από την εγκατάσταση, βεβαιωθείτε ότι οι τοπικές συνθήκες διανομής (τύπος αερίου και πίεση αερίου) και η ρύθμιση της συσκευής είναι συμβατά.

⚠ Βεβαιωθείτε ότι η πίεση παροχής αερίου είναι σύμφωνη με τις τιμές που υποδεικνύονται στον Πίνακα ("Χαρακτηριστικά καυστήρα και ακροφυσίου").

⚠ ΠΡΟΕΙΔΟΠΟΙΗΣΗ: Οι συνθήκες ρύθμισης αυτής της συσκευής αναγράφονται στην ετικέτα (ή στην πινακίδα στοιχείων).

⚠ ΠΡΟΕΙΔΟΠΟΙΗΣΗ: Η συσκευή αυτή δεν είναι συνδεδεμένη σε σύστημα εξαγωγής προϊόντων καύσης. Πρέπει να εγκατασταθεί και να συνδεθεί σύμφωνα με τους ισχύοντες κανονισμούς εγκατάστασης. Ιδιαίτερη προσοχή θα πρέπει να δοθεί στις απαιτήσεις σχετικά με τον αερισμό.

⚠ Αν η συσκευή συνδέεται με υγραέριο, πρέπει να σφίξετε τη βίδα ρύθμισης όσο το δυνατόν πιο σφιχτά.

⚠ ΣΗΜΑΝΤΙΚΟ: Εάν χρησιμοποιείται φιάλη αερίου, η δοχείο αερίου πρέπει να στηρίζεται σωστά (κάθετος προσανατολισμός).

⚠ ΠΡΟΕΙΔΟΠΟΙΗΣΗ: Αυτή η λειτουργία πρέπει να διεξαχθεί από εξειδικευμένο τεχνικό.

⚠ Χρησιμοποιήστε μόνο εύκαμπτο ή άκαμπτο μεταλλικό σωλήνα για τη σύνδεση αερίου.

⚠ Σύνδεση με άκαμπτο σωλήνα (από χαλκό ή χάλυβα) Η σύνδεση με το σύστημα αερίου πρέπει να γίνεται με τέτοιο τρόπο ώστε να μην υπάρχει κανενός είδους πίεση για τη συσκευή. Υπάρχει ένα ρυθμιζόμενο εξάρτημα σωλήνα σχήματος L στη γραμμή τροφοδοσίας της συσκευής και αυτό είναι εφοδιασμένο με μια τσιμούχα προκειμένου να αποφεύγονται οι διαρροές. Η τσιμούχα πρέπει πάντα να αντικαθίσταται μετά την περιστροφή του σωλήνα (η τσιμούχα παρέχεται με τη συσκευή). Το εξάρτημα του σωλήνα

τροφοδοσίας αερίου είναι ένα κυλινδρικό αρσενικό εξάρτημα με σπείρωμα 1/2 αερίου.

⚠ Σύνδεση εύκαμπτου αγωγού από ανοξειδωτο χάλυβα σε σύνδεσμο με σπείρωμα. Το εξάρτημα του σωλήνα τροφοδοσίας αερίου είναι ένα κυλινδρικό αρσενικό εξάρτημα με 1/2 σπείρωμα αερίου. Οι σωλήνες αυτοί πρέπει να εγκατασταθούν έτσι ώστε να μην υπερβαίνουν ποτέ τα 2000 mm κατά την πλήρη επέκτασή τους. Μόλις ολοκληρωθεί η σύνδεση, βεβαιωθείτε ότι ο εύκαμπτος μεταλλικός σωλήνας δεν έρχεται σε επαφή με κινούμενα μέρη και δεν συμπιέζεται. Χρησιμοποιείτε μόνο σωλήνες και τσιμούχες που συμμορφώνονται με τους ισχύοντες εθνικούς κανονισμούς.

⚠ ΣΗΜΑΝΤΙΚΟ: Εάν χρησιμοποιηθεί σωλήνας από ανοξειδωτο χάλυβα, πρέπει να τοποθετηθεί με τρόπο που να μην αγγίζει οποιοδήποτε κινούμενο σημείο της επίπλωσης. Πρέπει να δρομολογηθεί μέσω περιοχής χωρίς εμπόδια ώστε να μπορεί να ελεγχθεί σε ολόκληρο το μήκος του.

⚠ Η συσκευή πρέπει να συνδέεται στην κύρια τροφοδοσία αερίου ή στην φιάλη αερίου σύμφωνα με τους ισχύοντες εθνικούς κανονισμούς. Πριν κάνετε τη σύνδεση, βεβαιωθείτε ότι η συσκευή είναι συμβατή με την παροχή αερίου που θέλετε να χρησιμοποιήσετε. Εάν δεν συμβαίνει αυτό, ακολουθήστε τις οδηγίες που αναφέρονται στην παράγραφο «Προσαρμογή σε διαφορετικούς τύπους αερίου».

⚠ Μετά τη σύνδεση στην παροχή αερίου, ελέγξτε για διαρροές χρησιμοποιώντας διάλυμα σαπουνιού σε νερό. Ανάψτε τους καυστήρες και περιστρέψτε τους διακόπτες από τη θέση μέγιστης ρύθμισης 1\* στη θέση ελάχιστης ρύθμισης 2\*, για να ελέγξετε τη σταθερότητα της φλόγας.

**ΠΡΟΣΑΡΜΟΓΗ ΣΕ ΔΙΑΦΟΡΕΤΙΚΟΥΣ ΤΥΠΟΥΣ ΑΕΡΙΟΥ**  
(Η εργασία αυτή πρέπει να πραγματοποιείται από εξειδικευμένο τεχνικό).

⚠ Προκειμένου να προσαρμόσετε τη συσκευή σε έναν τύπο αερίου διαφορετικό από τον τύπο για τον οποίο κατασκευάστηκε (αναγράφεται στην ετικέτα διαβάθμισης), ακολουθήστε τα ειδικά βήματα που υποδεικνύονται με τα σχέδια τοποθέτησης.

### ΗΛΕΚΤΡΙΚΕΣ ΠΡΟΕΙΔΟΠΟΙΗΣΕΙΣ

⚠ ΣΗΜΑΝΤΙΚΟ: Πληροφορίες σχετικά με την κατανάλωση ρεύματος και τάσης παρέχονται στην πινακίδα τεχνικών χαρακτηριστικών.

⚠ Πρέπει να είναι δυνατή η αποσύνδεση της συσκευής από την ηλεκτρική τροφοδοσία με αφαίρεση του φινιρίσματος εάν η πρίζα είναι προσβάσιμη ή με χρήση του πολυπολικού διακόπτη που έχει εγκατασταθεί πριν από την πρίζα σύμφωνα με τα εθνικά πρότυπα ηλεκτρικής ασφάλειας και η συσκευή πρέπει να διαθέτει γείωση με βάση τα εθνικά πρότυπα ασφαλείας.

⚠ Το καλώδιο τροφοδοσίας πρέπει να έχει επαρκές μήκος ώστε να είναι δυνατή η σύνδεση της εντοιχισμένης συσκευής στην πρίζα. Μην τραβάτε το καλώδιο τροφοδοσίας.

⚠ Μη χρησιμοποιείτε καλώδια προέκτασης (μπαλαντέζες), πολύπριζα ή προσαρμογείς. Μετά την ολοκλήρωση της εγκατάστασης, δεν πρέπει να είναι δυνατή η πρόσβαση στα ηλεκτρικά εξαρτήματα. Μην χρησιμοποιείτε τη συσκευή όταν είστε βρεγμένος ή με γυμνά πόδια. Μην χρησιμοποιήσετε τη συσκευή εάν έχει φθαρεί το ηλεκτρικό καλώδιο ή το φινιρίσματος, εάν δεν λειτουργεί κανονικά, εάν έχει πέσει ή εάν έχει υποστεί άλλη ζημιά.

⚠ Εάν το καλώδιο τροφοδοσίας έχει υποστεί ζημιά, πρέπει να αντικατασταθεί από τον κατασκευαστή, τον αντιπρόσωπο τεχνικής υποστήριξης ή άλλα καταρτισμένα άτομα, ώστε να αποφευχθούν τυχόν κίνδυνοι - κίνδυνος ηλεκτροπληξίας.


### ΚΑΘΑΡΙΣΜΟΣ ΚΑΙ ΣΥΝΤΗΡΗΣΗ

⚠ ΠΡΟΕΙΔΟΠΟΙΗΣΗ: Πριν από οποιαδήποτε εργασία συντήρησης, βεβαιωθείτε ότι η συσκευή είναι σβηστή και αποσυνδεδεμένη από το δίκτυο τροφοδοσίας. Ποτέ μην χρησιμοποιείτε συσκευές καθαρισμού με ατμό - κίνδυνος ηλεκτροπληξίας.

⚠ Μην χρησιμοποιείτε αποξεστικά ή διαβρωτικά προϊόντα, καθαριστικά με βάση τη χλωρίνη ή συρμάτινα σφουγγαράκια.

⚠ Για να αποφύγετε τυχόν ζημιά στην ηλεκτρική ανάφλεξη, μην την χρησιμοποιείτε όταν οι καυστήρες δεν βρίσκονται στις υποδοχές τους.

### ΑΠΟΡΡΙΨΗ ΥΛΙΚΩΝ ΣΥΣΚΕΥΑΣΙΑΣ


Τα υλικά της συσκευασίας είναι 100% ανακυκλώσιμα και φέρουν το σύμβολο της ανακύκλωσης .

Τα διάφορα μέρη της συσκευασίας πρέπει συνεπώς να απορρίπτονται με υπευθυνότητα και σε πλήρη συμμόρφωση με τους κανονισμούς της τοπικής δημοτικής αρχής όσον αφορά τη διάθεση αποβλήτων.

### ΑΠΟΡΡΙΨΗ ΗΛΕΚΤΡΙΚΩΝ ΟΙΚΙΑΚΩΝ ΣΥΣΚΕΥΩΝ

Η συσκευή αυτή έχει κατασκευαστεί από ανακυκλώσιμα ή επαναχρησιμοποιήσιμα υλικά. Απορρίψτε σύμφωνα με τους κανονισμούς των τοπικών αρχών. Για περαιτέρω πληροφορίες σχετικά με την επεξεργασία, την ανάκτηση και την ανακύκλωση των ηλεκτρικών οικιακών συσκευών, επικοινωνήστε με τις αρμόδιες τοπικές αρχές, την υπηρεσία συλλογής οικιακών αποβλήτων ή το κατάστημα από όπου αγοράσατε αυτό το προϊόν. Αυτή η συσκευή επισμαίνεται σύμφωνα με την Ευρωπαϊκή Οδηγία 2012/19/ΕΕ, Απόβλητα Ηλεκτρικού και Ηλεκτρονικού Εξοπλισμού (ΑΗΗΕ) και με τους κανονισμούς 2013 για τα Απόβλητα Ηλεκτρικού και Ηλεκτρονικού Εξοπλισμού (όπως τροποποιήθηκε).

Εξασφαλίζοντας τη σωστή απόρριψη αυτού του προϊόντος, θα βοηθήσετε στην αποτροπή των πιθανών βλαβερών συνεπειών για το περιβάλλον και την ανθρώπινη υγεία.

Το σύμβολο  στο προϊόν ή στα συνοδευτικά έντυπα υποδεικνύει ότι πρέπει να αντιμετωπίζεται ως οικιακό απόρριμμα αλλά πρέπει να μεταφέρετε στο κατάλληλο κέντρο συλλογής για ανακύκλωση ηλεκτρονικού και ηλεκτρικού εξοπλισμού.

### ΣΥΜΒΟΥΛΕΣ ΓΙΑ ΕΞΟΙΚΟΝΟΜΗΣΗ ΕΝΕΡΓΕΙΑΣ

Χρησιμοποιείτε καταρρόλες και τηγάνια με διάμετρο βάσης ίση με τη διάμετρο της εστίας.

Χρησιμοποιήστε μόνο καταρρόλες και τηγάνια με επίπεδη βάση.

Εάν είναι δυνατό, διατηρείτε τα σκεύη σκεπασμένα κατά το μαγείρεμα.

Η χρήση χύτρας ταχύτητας μειώνει ακόμη περισσότερο την κατανάλωση ενέργειας και το χρόνο μαγειρέματος.

### ΔΗΛΩΣΗ ΣΥΜΜΟΡΦΩΣΗΣ

Η συσκευή αυτή πληροί τις απαιτήσεις οικολογικού σχεδιασμού του Ευρωπαϊκού κανονισμού 66/2014 και τον οικολογικό σχεδιασμό για σχετικά με την ενέργεια προϊόντα και ενεργειακές πληροφορίες (Τροποποίηση) (ΕΕ Exit) Κανονισμοί 2019, σύμφωνα με το Ευρωπαϊκό πρότυπο EN 30-2-1.

Τύπος χρησιμοποιούμενου αερίου	Τύπος καυστήρα	Ένδειξη ακροφυσίου	Ονομαστική θερμική ροή kW	Ονομαστική κατανάλωση	Μειωμένη θερμική ικανότητα kW	Πίεση αερίου mbar		
						ελαχ.	ονομ.	μέγ.
ΦΥΣΙΚΟ ΑΕΡΙΟ (Μεθάνιο) <b>G20</b>	Ημι-ταχύς (SR)	97	1,75	157 λίτρα/ώρα	0,40	17	20	25
	Βοηθητικός (AUX)	78 A	1,00	95 λίτρα/ώρα	0,40			
	2 δακτυλίων φλόγας (DC)	140 H3	3,50	333 λίτρα/ώρα	2,20			
ΥΓΡΑΕΡΙΟ (Βουτάνιο) <b>G30</b>	Ημι-ταχύς (SR)	67	1,75	127 γρ./ώρα	0,40	20	28-30	35
	Βοηθητικός (AUX)	50	1,00	73 γρ./ώρα	0,40			
	2 δακτυλίων φλόγας (DC)	94	3,50	254 γρ./ώρα	2,20			
ΥΓΡΑΕΡΙΟ (Προπάνιο) <b>G31</b>	Ημι-ταχύς (SR)	67	1,75	125 γρ./ώρα	0,40	25	37	45
	Βοηθητικός (AUX)	50	1,00	71 γρ./ώρα	0,40			
	2 δακτυλίων φλόγας (DC)	94	3,50	250 γρ./ώρα	2,20			

Τύπος χρησιμοποιούμενου αερίου	Διαμόρφωση μοντέλου 4 ΚΑΥΣΤΗΡΕΣ	Ονομαστική θερμική ροή (kW)	Συνολική ονομαστική κατανάλωση	Αέρας που απαιτείται (m <sup>3</sup> ) για καύση 1m <sup>3</sup> αερίου
<b>G20</b> 20 mbar	2SR - 1AUX - 1DC	8,00	762 λίτρα/ώρα	9,52
<b>G30</b> 28-30 mbar	2SR - 1AUX - 1DC	8,00	581 γρ./ώρα	30,94
<b>G31</b> 37 mbar	2SR - 1AUX - 1DC	8,00	571 γρ./ώρα	23,80

**ΗΛΕΚΤΡΙΚΗ ΠΑΡΟΧΗ: 220-240 V ~ 50-60 Hz - 0,6W**

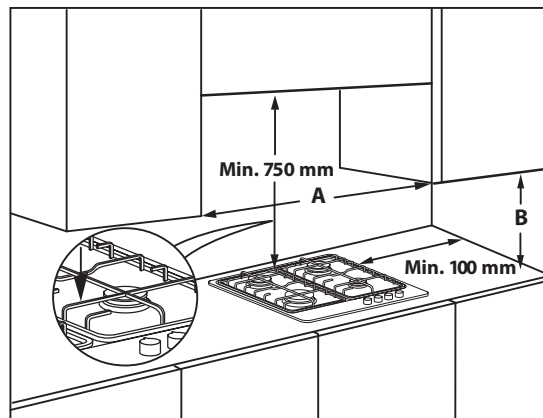
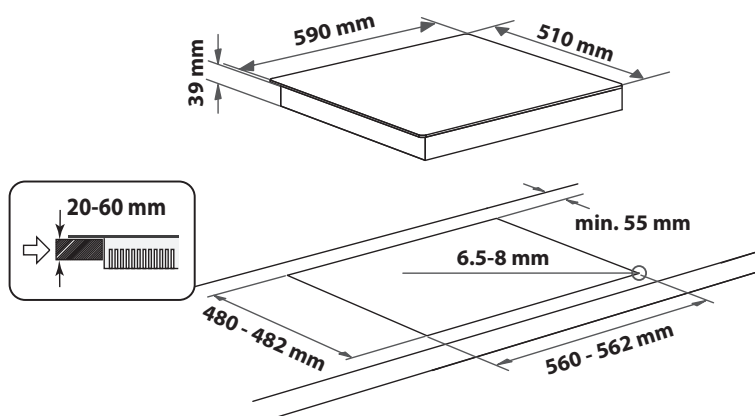


## ΕΓΚΑΤΑΣΤΑΣΗ (ΚΑΤΗΓΟΡΙΑ 3)

### ΤΕΧΝΙΚΕΣ ΠΛΗΡΟΦΟΡΙΕΣ ΓΙΑ ΤΟΝ ΤΕΧΝΙΚΟ ΕΓΚΑΤΑΣΤΑΣΗΣ

- Χρησιμοποιήστε προστατευτικά γάντια για το χειρισμό, την προετοιμασία και την εγκατάσταση του προϊόντος.
- Το προϊόν αυτό μπορεί να εντοιχιστεί σε πάγκο εργασίας πάχους 20 έως 60 χλστ.
- Εάν δεν υπάρχει φούρνος κάτω από τη μονάδα εστιών, τοποθετήστε μια διαχωριστική επιφάνεια τουλάχιστον ίση με το άνοιγμα στον πάγκο εργασίας. Η επιφάνεια αυτή πρέπει να τοποθετηθεί σε απόσταση το πολύ 150 χλστ. κάτω από την επάνω επιφάνεια του πάγκου εργασίας, αλλά σε καμία περίπτωση σε απόσταση μικρότερη από 20 χλστ. από το κάτω μέρος της μονάδας εστιών. Εάν πρόκειται να εγκαταστήσετε φούρνο κάτω από τη μονάδα εστιών, βεβαιωθείτε ότι ο φούρνος διαθέτει σύστημα ψύξης.

### ΔΙΑΣΤΑΣΕΙΣ ΚΑΙ ΑΠΟΣΤΑΣΕΙΣ ΠΟΥ ΠΡΕΠΕΙ ΝΑ ΤΗΡΟΥΝΤΑΙ



**ΣΗΜΕΙΩΣΗ:** Αν η απόσταση "Α" ανάμεσα στα τοιχώματα του ντουλαπιού είναι από 600 χλστ. έως 730 χλστ., το ύψος "Β" πρέπει να είναι τουλάχιστον 530 χλστ. Αν η απόσταση "Α" ανάμεσα στα τοιχώματα του ντουλαπιού είναι μεγαλύτερη από το πλάτος της μονάδας εστιών, το ύψος "Β" πρέπει να είναι τουλάχιστον 400 χλστ.

Σε περίπτωση εγκατάστασης απορροφητήρα επάνω από τη μονάδα εστιών, ανατρέξτε στις οδηγίες του απορροφητήρα για τη σωστή απόσταση.

### ΣΥΝΑΡΜΟΛΟΓΗΣΗ

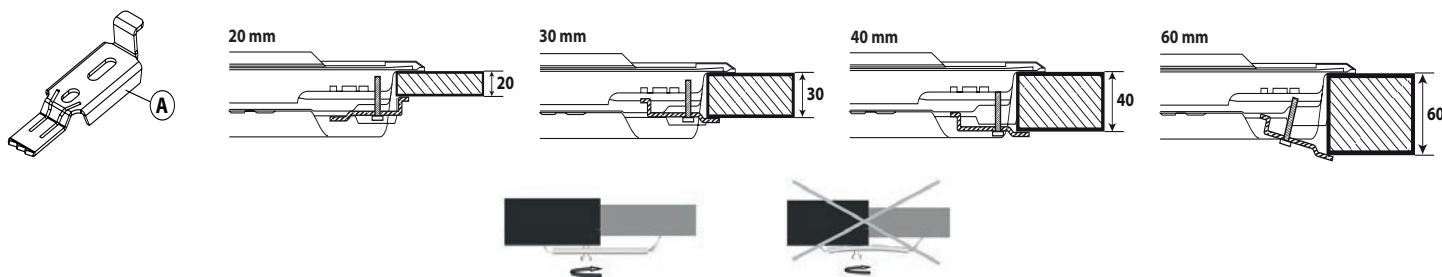
Αφού καθαρίσετε την περιμετρική επιφάνεια, τοποθετήστε την παρεχόμενη φλάντζα στην εστία όπως φαίνεται στην εικόνα.

Τοποθετήστε τη μονάδα εστιών στο άνοιγμα του πάγκου εργασίας που κατασκευάστηκε σύμφωνα με τις διαστάσεις που αναφέρονται στις οδηγίες.



**ΣΗΜΕΙΩΣΗ:** το καλώδιο τροφοδοσίας πρέπει να είναι αρκετά μακρύ ώστε να επιτρέπει την προς τα επάνω δρομολόγησή του.

Για τη στήριξη της μονάδας εστιών, χρησιμοποιήστε τα παρεχόμενα στηρίγματα (Α). Τοποθετήστε τα στηρίγματα στις αντίστοιχες οπές που απεικονίζονται με το βέλος και σφίξτε τα με τις βίδες τους ανάλογα με το πάχος του πάγκου εργασίας (ανατρέξτε στις παρακάτω εικόνες).

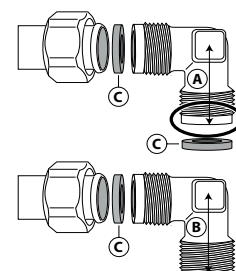


### ΣΥΝΔΕΣΗ ΑΕΡΙΟΥ

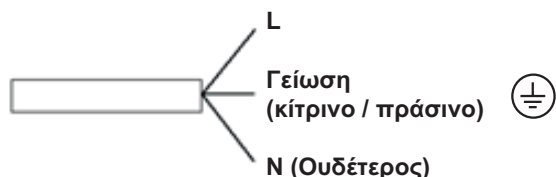
- Συνδέστε την παρεχόμενη γωνία (Α)\* ή (Β)\* στον κύριο σωλήνα εισόδου της μονάδας εστιών και παρεμβάλετε τη ροδέλα (C) σε συμμόρφωση με το πρότυπο EN 549.

\* Χρησιμοποιήστε τη γωνία (Α) για τη Γαλλία και τη γωνία (Β) για όλες τις υπόλοιπες χώρες.

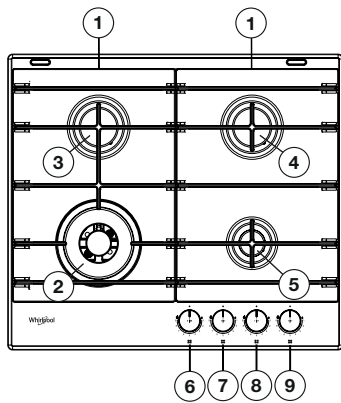
- Μετά τη σύνδεση στην παροχή αερίου, ελέγξτε για διαρροές χρησιμοποιώντας διάλυμα σαπουνιού σε νερό. Ανάψτε τους καυστήρες και στρίψτε τα κουμπιά από τη θέση μέγιστης ρύθμισης ⤴ στη θέση ελάχιστης ρύθμισης ⤵ για να ελέγξετε τη σταθερότητα της φλόγας.



### ΣΥΝΔΕΣΗ ΑΕΡΙΟΥ



# ΠΕΡΙΓΡΑΦΗ ΠΡΟΪΟΝΤΟΣ



1. Αφαιρούμενες σχάρες στήριξης σκευών
2. Καυστήρας 2 δακτυλίων φλόγας
3. Ημι-ταχύς καυστήρας
4. Ημι-ταχύς καυστήρας
5. Βοηθητικός καυστήρας
6. Κουμπί καυστήρα 2 δακτυλίων φλόγας
7. Κουμπί ημι-ταχέως καυστήρα
8. Κουμπί ημι-ταχέως καυστήρα
9. Διακόπτης βοηθητικού καυστήρα



## Σύμβολα

- Κύκλος με σκίαση ● Κλειστή στρόφιγγα
- Μεγάλη φλόγα Μέγιστο άνοιγμα/παροχή και ηλεκτρική ανάφλεξη
- Μικρή φλόγα Ελάχιστο άνοιγμα ή μειωμένη παροχή

# ΚΑΘΗΜΕΡΙΝΗ ΧΡΗΣΗ

## ΤΡΟΠΟΣ ΧΡΗΣΗΣ ΤΗΣ ΜΟΝΑΔΑΣ ΕΣΤΙΩΝ

**⚠** Η φλόγα του καυστήρα δεν πρέπει να εκτείνεται πέρα από την άκρη του σκεύους.

**ΣΗΜΑΝΤΙΚΟ:** όταν χρησιμοποιείται η μονάδα εστιών, ενδεχεται να ζεσταθεί ολοκληρή η περιοχή της μονάδας εστιών.

- Για να ανάψετε τους καυστήρες, στρίψτε το αντίστοιχο κουμπί προς τα αριστερά στη ρύθμιση μέγιστης φλόγας.
- Πατήστε το κουμπί στον πίνακα ελέγχου για να ανάψει ο καυστήρας.
- Αφού ανάψει ο καυστήρας, κρατήστε το κουμπί πατημένο για περίπου 5-10 δευτερόλεπτα ώστε να λειτουργήσει σωστά η διάταξη.
- Αυτή η διάταξη ασφαλείας του καυστήρα διακόπτει την παροχή αερίου προς τον καυστήρα εάν η φλόγα σβήσει κατά λάθος (λόγω ξαφνικού ρεύματος αέρα, διακοπής στην παροχή αερίου, υπερχείλισης υγρού που βράζει κλπ.).
- **Μην πατάτε το κουμπί για περισσότερο από 15 δευτερόλεπτα. Εάν μετά το διάστημα αυτό ο καυστήρας δεν παραμένει αναμμένος, περιμένετε τουλάχιστον ένα λεπτό πριν επιχειρήσετε να τον ανάψετε ξανά.**

**ΣΗΜΕΙΩΣΗ:** Εάν η ανάφλεξη του καυστήρα είναι δύσκολη λόγω ειδικών τοπικών συνθηκών στην παροχή αερίου, συνιστάται να στρίψετε το κουμπί στη ρύθμιση μικρής φλόγας και να επαναλάβετε τη διαδικασία.

**Ο καυστήρας μπορεί να σβήσει όταν αφήσετε το κουμπί.** Αυτό σημαίνει ότι η διάταξη ασφαλείας δεν έχει ζεσταθεί αρκετά. Στην περίπτωση αυτή, επαναλάβετε τη διαδικασία που περιγράφεται παρακάτω.

Στην περίπτωση τυχαίου σβήσιματος των φλογών του καυστήρα, κλείστε τον επιλογέα χειρισμού και ξαναπροσπαθήστε το άναμμα μετά από τουλάχιστον 1 λεπτό.

## ΠΡΑΚΤΙΚΕΣ ΣΥΜΒΟΥΛΕΣ ΓΙΑ ΤΗ ΧΡΗΣΗ ΤΩΝ ΚΑΥΣΤΗΡΩΝ

Αυτή η μονάδα εστιών διαθέτει καυστήρες διαφορετικής διαμέτρου. Για τη βέλτιστη απόδοση των καυστήρων, τηρήστε τους παρακάτω κανόνες:

- Χρησιμοποιήστε καθαρόλες και τηγάνια με πλάτος βάσης ίσο ή ελαφρώς μεγαλύτερο από τους καυστήρες (ανατρέξτε στον πίνακα στα δεξιά);
- Χρησιμοποιήστε μόνο καθαρόλες και τηγάνια με επίπεδη βάση;
- Χρησιμοποιήστε τη σωστή ποσότητα νερού για το μαγείρεμα των φαγητών και διατηρείτε τις καθαρόλες σκεπασμένες;
- Βεβαιωθείτε ότι οι καθαρόλες στις σχάρες δεν προεξέχουν από την άκρη της μονάδας εστιών.
- Για σκεύη με κυρτή βάση (WOK), χρησιμοποιήστε την ειδική σχάρα στήριξης που παρέχεται, η οποία πρέπει να τοποθετείται μόνο στους καυστήρες πολλαπλών δακτυλίων φλόγας.
- Αποφύγετε τυχαία χτυπήματα με καθαρόλες ή άλλα σκεύη κουζίνας.
- Μην αφήνετε τηγάνια γκριλ στο φούρνο αναμμένο για περισσότερο από 5 λεπτά.

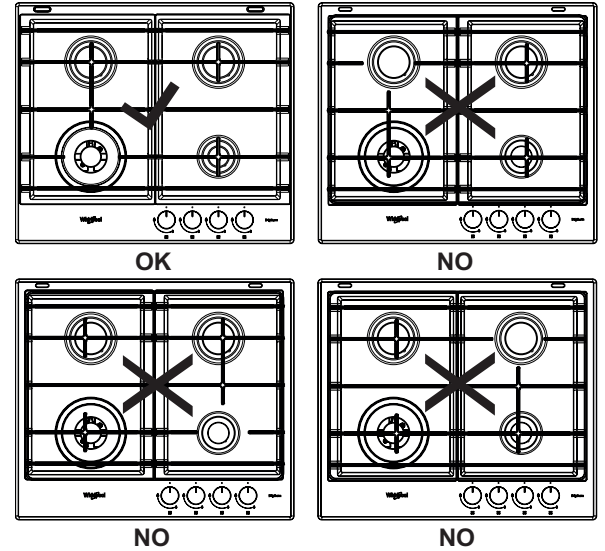
**ΣΗΜΑΝΤΙΚΟ:** Η ακατάλληλη χρήση των σχαρών μπορεί να προκαλέσει ζημιά στη μονάδα εστιών: μην τοποθετείτε τις σχάρες ανάποδα και μην τις σέρνετε επάνω στη μονάδα εστιών.

ΚΑΥΣΤΗΡΑΣ	Ø ΚΑΤΣΑΡΟΛΑΣ
2 δακτυλίων φλόγας	Από 24 έως 26 εκ.
Ημι-ταχύς	Από 16 έως 22 εκ.
Βοηθητικός	Από 8 έως 14 εκ.

Μην χρησιμοποιείτε:

- Πλάκες ψησίματος από χυτοσίδηρο, σκεύη από φυσική πέτρα, κεραμικές καθαρόλες και τηγάνια;
- Αντικείμενα που προκαλούν διάχυση της θερμότητας όπως μεταλλικά πλέγματα ή άλλου τύπου;
- Δύο καυστήρες ταυτόχρονα για ένα σκεύος (π.χ. καθαρόλα για ψάρι).

## Η ΣΩΣΤΗ ΤΟΠΟΘΕΤΗΣΗ ΤΩΝ ΔΙΚΤΥΩΝ



## ΠΡΟΣΑΡΜΟΓΗ ΣΕ ΔΙΑΦΟΡΕΤΙΚΟΥΣ ΤΥΠΟΥΣ ΑΕΡΙΟΥ

**⚠** Η εργασία αυτή πρέπει να γίνει από εξειδικευμένο τεχνικό.

Εάν η συσκευή πρόκειται να χρησιμοποιηθεί με αέριο διαφορετικό από τον τύπο του αερίου που αναγράφεται στην πινακίδα τεχνικών στοιχείων και στην ετικέτα πληροφοριών στο επάνω μέρος της μονάδας εστιών, αντικαταστήστε τα μπεκ. Αφαιρέστε την ετικέτα πληροφοριών και φυλάξτε την μαζί με το εγχειρίδιο οδηγιών.

**Χρησιμοποιήστε ρυθμιστές πίεσης κατάλληλους για την πίεση αερίου που αναφέρεται στις οδηγίες:**

- Το ακροφύσιο αερίου πρέπει να αντικατασταθεί από συνεργάτη μας μέσω του κέντρου εξυπηρέτησης πελατών ή από εξειδικευμένο τεχνικό;
- Τα ακροφύσια που δεν παρέχεται με τη συσκευή πρέπει να τα παραγγείλετε από το κέντρο εξυπηρέτησης πελατών;
- Προσαρμόστε την ελάχιστη ρύθμιση για τις στρόφιγγες.

**ΣΗΜΕΙΩΣΗ:** Εάν χρησιμοποιείται υγραέριο (G30/G31), η βίδα ελάχιστης ρύθμισης αερίου πρέπει να σφιχτεί μέχρι τέρμα.

**ΣΗΜΑΝΤΙΚΟ:** Εάν δυσκολεύεστε κατά το στρίψιμο των κουμπιών των καυστήρων, επικοινωνήστε με το κέντρο εξυπηρέτησης πελατών για την αντικατάσταση της στρόφιγγας του καυστήρα εάν διαπιστωθεί ότι είναι ελαττωματική.

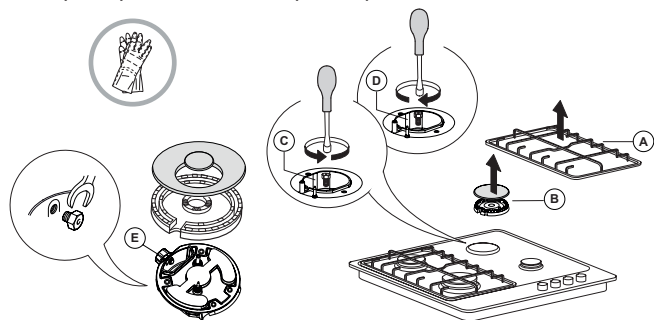


**ΣΗΜΑΝΤΙΚΟ:** Εάν χρησιμοποιείται φιάλη αερίου, η φιάλη πρέπει να στηρίζεται σωστά (κάθετος προσανατολισμός).

**ΑΝΤΙΚΑΤΑΣΤΑΣΗ ΤΩΝ ΜΠΕΚ (ανατρέξτε στον πίνακα των μπεκ στις Οδηγίες για την ασφάλεια)**

⚠ Η εργασία αυτή πρέπει να γίνει από εξειδικευμένο τεχνικό.

- Αφαιρέστε τις σχάρες (A).
- Αφαιρέστε τους καυστήρες (B).
- Χρησιμοποιώντας σωληνωτό κλειδί κατάλληλου μεγέθους, ξεβιδώστε (C) το μπεκ που χρειάζεται αντικατάσταση.
- Αντικαταστήστε το με μπεκ κατάλληλο για τον νέο τύπο αερίου.
- Συναρμολογήστε το μπεκ στο (D).
- Εάν διαθέτετε καυστήρα πολλαπλών δακτυλίων, χρησιμοποιήστε πολύγωνο για να αντικαταστήσετε το μπεκ (E).



Πριν εγκαταστήσετε τη μονάδα εστιών, στερεώστε την πινακίδα βαθμονόμησης αερίου που παρέχεται με τα μπεκ με τρόπο που να καλύπτει τις υπάρχουσες πληροφορίες για τη βαθμονόμηση του αερίου.

**ΠΡΟΣΑΡΜΟΓΗ ΕΛΑΧΙΣΤΗΣ ΡΥΘΜΙΣΗΣ ΠΑΡΟΧΗΣ ΑΕΡΙΟΥ ΣΤΙΣ ΣΤΡΟΦΙΓΓΕΣ**

⚠ Η εργασία αυτή πρέπει να γίνει από εξειδικευμένο τεχνικό.

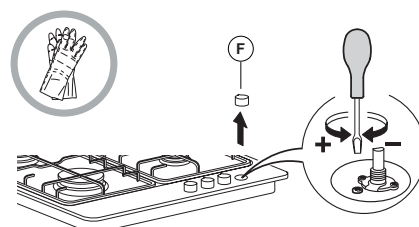
Η προσαρμογή πρέπει να γίνει με τη στρόφιγγα στη θέση ελάχιστης ρύθμισης παροχής (μικρή φλόγα) ☹.

Ο πρωτεύων αέρας των καυστήρων δεν χρειάζεται ρύθμιση.

Για να διασφαλιστεί η σωστή προσαρμογή της ελάχιστης ρύθμισης παροχής, αφαιρέστε το κουμπί (F) και ακολουθήστε την παρακάτω διαδικασία:

- σφίξτε τη βίδα για να μειώσετε το ύψος της φλόγας (-);
- λασκάρτε τη βίδα για να αυξήσετε το ύψος της φλόγας (+).

Στη συνέχεια, ανάψτε τους καυστήρες και στρίψτε τα κουμπιά από τη θέση μέγιστης ρύθμισης ☺ στη θέση ελάχιστης ρύθμισης ☹ για να ελέγξετε τη σταθερότητα της φλόγας.



Όταν ολοκληρωθεί η προσαρμογή, σφραγίστε ξανά το σημείο χρησιμοποιώντας βουλοκέρι ή άλλο αντίστοιχο υλικό.

## ΦΛΟΓΑ ΠΟΛΛΑΠΛΩΝ ΕΠΙΠΕΔΩΝ

ΕΠΙΠΕΔΟ	ΜΕΘΟΔΙΣΜΕ/ΤΥΠΟΣ ΨΗΣΙΜΑΤΟΣ (ΠΡΟΤΕΙΝΟΜΕΝΟ ΓΙΑ)	ΣΥΜΒΟΥΛΕΣ ΜΑΓΕΙΡΕΜΑΤΟΣ
1-2	ΔΙΑΤΗΡΗΣΗ ΖΕΣΤΟ	Ιδανικό για μαλάκωμα βουτύρου, απαλό λιώσιμο σοκολάτας σε μπεν-μαρί, απόψυξη μικρών πακέτων, κρεμώδες ριζότο.
	ΕΛΑΦΡΥ ΨΗΣΙΜΟ	
3-4	ΣΙΓΟΒΡΑΣΙΜΟ	Ιδανικό για αργό μαγείρ. συνταγών (ρύζι, σάλτσες, ψητό, ψάρι) με υγρά (νερό, κρασί, ζωμός) και για και συμπύκνωση υγρών σε ζυμαρικά, διατήρηση σιγοβρασίματος.
	ΒΡΑΣΤΟ	
5-6	ΨΗΤΟ	Ιδανικό για σοτάρισμα, βράσιμο λαχανικών, ψήσιμο για μεγαλύτερο διάστημα, αξεσουάρ προθέρμανσης, μαγειρέματος έως κρεμώδες.
	ΤΗΓΑΝΙΣΜΑ	
7-8	ΣΤΙΡ-ΦΡΑΙ	Ιδανικό για ροδοκοκκίνισμα, έναρξη μαγειρέματος, ταχεία επίτευξη βρασμού σε υγρά, τηγάνισμα κατεψυγμένων προϊόντων, κρέας και ψάρι στη σχάρα, διατήρηση βρασμού.
	ΨΗΣΙΜΟ ΣΤΟ ΓΚΡΙΛ	
9	ΓΡΗΓΟΡΟ ΖΕΣΤΑΜΑ	Ιδανικό για γρήγορη αύξηση της θερμοκρασίας του φαγητού ή για ζέσταμα υγρών (νερό).

## ΣΥΝΤΗΡΗΣΗ ΚΑΙ ΚΑΘΑΡΙΣΜΟΣ

⚠ Αποσυνδέστε τη συσκευή από το ηλεκτρικό δίκτυο.

### ΚΑΘΑΡΙΣΜΟΣ ΤΗΣ ΕΠΙΦΑΝΕΙΑΣ ΤΗΣ ΜΟΝΑΔΑΣ ΕΣΤΙΩΝ

- Όλα τα εμαγιέ και γυάλινα εξαρτήματα πρέπει να καθαρίζονται με διάλυμα ζεστού νερού και ουδέτερου απορρυπαντικού.
- Το σκληρό νερό και τα διαβρωτικά απορρυπαντικά μπορεί να προκαλέσουν κηλίδες στις επιφάνειες από ανοξείδωτο χάλυβα σε περίπτωση παρατεταμένης επαφής. Καθαρίζετε αμέσως τα υγρά που χύνονται (νερό, σάλτσα, καφές κ.λπ.) πριν στεγνώσουν.
- Καθαρίστε την επιφάνεια με διάλυμα ζεστού νερού και ουδέτερου απορρυπαντικού και σκουπίστε την με μαλακό πανί ή δέρμα. Απομακρύνετε τα υπολείμματα που έχουν ξεραθεί με ειδικό καθαριστικό για επιφάνειες από ανοξείδωτο χάλυβα.

**ΣΗΜΕΙΩΣΗ:** Καθαρίζετε τις επιφάνειες από ανοξείδωτο χάλυβα μόνο με μαλακό πανί ή σφουγγάρι.

- Μην χρησιμοποιείτε αποξεστικά ή διαβρωτικά προϊόντα, καθαριστικά με βάση τη χλωρίνη ή συρμάτινα σφουγγαράκια.
- Μην χρησιμοποιείτε συσκευές καθαρισμού με ατμό.
- Μην χρησιμοποιείτε εύφλεκτα προϊόντα.
- Μην αφήνετε στη μονάδα εστιών όξινες ή αλκαλικές ουσίες όπως ξίδι, μουστάρδα, αλάτι, ζάχαρη ή χυμό λεμονιού.

### ΚΑΘΑΡΙΣΜΟΣ ΤΩΝ ΕΞΑΡΤΗΜΑΤΩΝ ΤΗΣ ΜΟΝΑΔΑΣ ΕΣΤΙΩΝ

- Καθαρίζετε τα γυάλινα και εμαγιέ εξαρτήματα μόνο με μαλακό πανί ή σφουγγάρι.
- Μπορείτε να αφαιρέσετε τις σχάρες, τα καπάκια των καυστήρων και τους καυστήρες για να τους καθαρίσετε.
- Καθαρίστε τα εξαρτήματα με το χέρι χρησιμοποιώντας ζεστό νερό και μη διαβρωτικό απορρυπαντικό, απομακρύνετε τα υπολείμματα φαγητού και βεβαιωθείτε ότι κανένα από τα ανοίγματα του καυστήρα δεν είναι φραγμένο.

- Ξεπλύνετε και σκουπίστε τα εξαρτήματα.
- **Οι σχάρες από χυτοσίδηρο μπορούν να καθαριστούν στο πλυντήριο πιάτων.**  
**Αφαιρέστε τυχόν καμένα τρόφιμα πριν τοποθετήσετε τις σχάρες στο χαμηλότερο ράφι του πλυντηρίου πιάτων.**
- Τοποθετήστε ξανά τους καυστήρες και τα καπάκια των καυστήρων σωστά στις αντίστοιχες υποδοχές.
- Κατά την επανατοποθέτηση των σχαρών, βεβαιωθείτε ότι η περιοχή στήριξης του σκεύους είναι ευθυγραμμισμένη με τον καυστήρα.

- Στα μοντέλα με ηλεκτρικούς σπινθηριστές και διατάξεις προστασίας, απαιτείται σχολαστικός καθαρισμός του άκρου του σπινθηριστή ώστε να διασφαλιστεί η σωστή λειτουργία. Ελέγχετε τα εξαρτήματα αυτά τακτικά και, εάν απαιτείται, καθαρίστε τα με υγρό πανί. Τα υπολείμματα φαγητών που ξεράθηκαν κατά το μαγείρεμα πρέπει να αφαιρούνται με οδοντογλυφίδα ή βελόνα.

**ΣΗΜΕΙΩΣΗ: Για να αποφύγετε τυχόν ζημιά στην ηλεκτρική ανάφλεξη, μην την χρησιμοποιείτε όταν οι καυστήρες δεν βρίσκονται στις υποδοχές τους.**

## ΑΝΤΙΜΕΤΩΠΙΣΗ ΠΡΟΒΛΗΜΑΤΩΝ

Εάν η μονάδα εστιών δεν λειτουργεί σωστά, πριν επικοινωνήσετε με το κέντρο εξυπηρέτησης πελατών ανατρέξτε στον οδηγό αντιμετώπισης προβλημάτων για να καθορίσετε το πρόβλημα.

### 1. Ο καυστήρας δεν ανάβει ή η φλόγα δεν είναι ομοιόμορφη

Βεβαιωθείτε ότι:

- Η παροχή αερίου και ηλεκτρικού ρεύματος δεν είναι κλειστές και ιδίως ότι η στρόφιγγα παροχής αερίου είναι ανοικτή;
- Η φιάλη αερίου (υγραέριο) δεν έχει αδειάσει;
- Τα ανοίγματα του καυστήρα δεν είναι φραγμένα;
- Δεν υπάρχουν ακαθαρσίες στο άκρο του σπινθηριστή;
- Όλα τα εξαρτήματα του καυστήρα έχουν τοποθετηθεί σωστά;
- Δεν υπάρχουν ρεύματα αέρα κοντά στη μονάδα εστιών.

### 2. Ο καυστήρας δεν παραμένει αναμμένος

Βεβαιωθείτε ότι:

- Όταν ανάβετε τον καυστήρα, πατάτε το κουμπί όσο χρόνο χρειάζεται για την ενεργοποίηση της διάταξης προστασίας;
- Τα ανοίγματα του καυστήρα δεν είναι φραγμένα κοντά στο θερμοστοιχείο;
- Δεν υπάρχουν ακαθαρσίες στο άκρο της διάταξης προστασίας;
- Η ελάχιστη ρύθμιση παροχής αερίου είναι σωστή (ανατρέξτε στη σχετική παράγραφο).

### 3. Τα σκεύη δεν είναι σταθερά

Βεβαιωθείτε ότι:

- Η βάση του σκεύους είναι απόλυτα επίπεδη;
- Το σκεύος είναι κεντραρισμένο επάνω στον καυστήρα;
- Οι σχάρες δεν έχουν τοποθετηθεί ανάποδα ή λανθασμένα.

Εάν μετά από αυτούς τους ελέγχους το πρόβλημα παραμένει, απευθυνθείτε στο πλησιέστερο κέντρο εξυπηρέτησης πελατών.

## ΗΧΟΙ ΠΟΥ ΠΑΡΑΓΟΝΤΑΙ ΚΑΤΑ ΤΗ ΛΕΙΤΟΥΡΓΙΑ

Για να λάβετε πλήρη τεχνική υποστήριξη, παρακαλούμε να καταχωρίσετε τη συσκευή σας στην ιστοσελίδα [www.whirlpool.eu/register](http://www.whirlpool.eu/register).

### ΠΡΙΝ ΚΑΛΕΣΕΤΕ ΤΟ ΣΕΡΒΙΣ:

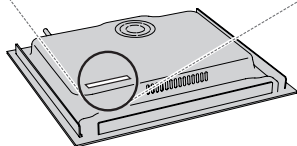
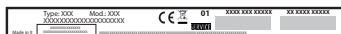
1. Επιχειρήστε να επιλύσετε μόνοι σας το πρόβλημα με τη βοήθεια των συστάσεων που παρέχονται στον **ΟΔΗΓΟ ΑΝΤΙΜΕΤΩΠΙΣΗΣ ΒΛΑΒΩΝ**.
2. Σβήστε και ανάψτε ξανά τη συσκευή για να διαπιστώσετε εάν η βλάβη παραμένει.

### ΕΑΝ Η ΒΛΑΒΗ ΕΞΑΚΟΛΟΥΘΕΙ ΝΑ ΕΜΦΑΝΙΖΕΤΑΙ ΜΕΤΑ ΤΟΥΣ ΠΑΡΑΠΑΝΩ ΕΛΕΓΧΟΥΣ, ΕΠΙΚΟΙΝΩΝΗΣΤΕ ΜΕ ΤΟ ΠΛΗΣΙΕΣΤΕΡΟ ΣΕΡΒΙΣ.

Για τεχνική υποστήριξη, καλέστε τον αριθμό που αναγράφεται στο βιβλιαράκι εγγύησης ή ακολουθήστε τις οδηγίες στην [www.whirlpool.eu](http://www.whirlpool.eu).

Όταν επικοινωνείτε με την Εξυπηρέτηση πελατών, αναφέρετε πάντα:

- Μια σύντομη περιγραφή της βλάβης;
- Τον τύπο και το ακριβές μοντέλο της συσκευής;



- τον σειριακό αριθμό (αριθμός μετά τη λέξη SN στην πινακίδα που βρίσκεται κάτω από τη συσκευή). Ο σειριακός αριθμός αναφέρεται επίσης στην τεκμηρίωση;



Mod. XXX XXX

Ind.C. XXXX XXXX XXXX

Prod.N. 86999XXXXXXX S.N. XXXX XXXX XXXX

- την πλήρη διεύθυνσή σας;
- τον αριθμό τηλεφώνου σας.

Εάν απαιτείται επισκευή, απευθυνθείτε σε ένα εξουσιοδοτημένο Κέντρο Εξυπηρέτησης Πελατών (για να διασφαλιστεί η χρήση γνήσιων ανταλλακτικών και η σωστή επισκευή).



Завантажте повну інструкцію з експлуатації з сайту <http://docs.whirlpool.eu> або зателефонуйте за номером телефону, вказаним у гарантійному буклеті.

⚠ Ці інструкції дійсні, якщо символ відповідної країни вказаний на приладі. Якщо на приладі немає символу відповідної країни, слід звернутися до технічних інструкцій, де є необхідні вказівки щодо змін, які слід виконати на приладі, щоб він був адаптований до умов використання в цій країні.

⚠ **ОБЕРЕЖНО:** Під час використання газової плити в приміщенні, де вона встановлена, виділяються тепло, волога і продукти згоряння. Слід подбати про добру вентиляцію кухні, головним чином на час використання приладу: залишайте відкритими отвори для природної вентиляції або встановіть пристрій для примусової вентиляції (витяжку з примусовою вентиляцією). Під час тривалого інтенсивного використання приладу може знадобитися додаткова вентиляція, наприклад, може виникнути потреба відкрити вікно, або ж доведеться перемкнути витяжку (за наявності) на вищий рівень потужності.

⚠ Недотримання рекомендацій, зазначених у цьому посібнику, може призвести до займання або вибуху з подальшими матеріальними збитками або травмами.

Перед використанням приладу прочитайте ці інструкції з техніки безпеки. Збережіть їх для подальшого використання.

У цих інструкціях та на самому приладі містяться важливі попередження про небезпеку, які слід завжди виконувати. Виробник не несе жодної відповідальності за недотримання цих інструкцій з техніки безпеки, за неналежне використання приладу або неправильне налаштування елементів управління.

⚠ **ПОПЕРЕДЖЕННЯ:** Якщо варильна поверхня тріснула, не користуйтеся приладом – існує ризик ураження електричним струмом.

⚠ **ПОПЕРЕДЖЕННЯ:** Щоб уникнути пожежі: не зберігайте жодних предметів на поверхнях для приготування.

⚠ **ОБЕРЕЖНО:** за процесом готування слід наглядати. За короткочасним процесом готування слід наглядати постійно.

⚠ **ПОПЕРЕДЖЕННЯ:** Необережне приготування їжі із змістом жиру або олії на варильній панелі може бути небезпечним - це може призвести до виникнення пожежі. НІКОЛИ не намагайтеся загасити вогонь водою. Вимкніть прилад і накрийте чимось вогонь, наприклад кришкою або протипожежною ковдрою.

⚠ Не використовуйте варильну панель як робочу поверхню або як підставку. Не кладіть одяг або інші

легкозаймисті матеріали поблизу приладу, доки повністю не охолонуть всі його компоненти – існує ризик виникнення пожежі.

⚠ Не дозволяйте маленьким дітям (до 3 років) підходити надто близько до приладу. Не дозволяйте маленьким дітям (від 3 до 8 років) підходити надто близько до приладу без постійного нагляду. До користування приладом допускаються діти віком від 8 років, особи з фізичними, сенсорними чи розумовими вадами, а також особи, які мають незначний досвід чи знання щодо використання цього приладу, лише за умови, що такі особи отримали інструкції щодо безпечного використання приладу, розуміють можливий ризик або використовують прилад під наглядом осіб, що відповідають за їхню безпеку. Не дозволяйте дітям гратися з приладом. Діти можуть чистити та обслуговувати прилад лише під наглядом дорослих.

⚠ **ОБЕРЕЖНО:** У разі пошкодження скла конфорки: негайно вимкніть усі конфорки та будь-які електричні нагрівальні елементи і відключіть прилад від джерела живлення; не торкайтеся поверхонь приладу; не користуйтеся приладом.

Скляна кришка може зламатися, якщо нагріється. Перед закриванням кришки вимкніть усі конфорки та електричні панелі. Не закривайте кришку під час роботи конфорки.

⚠ **ПОПЕРЕДЖЕННЯ:** Під час використання прилад і його доступні частини нагріваються. Слід бути обережними, щоб не торкнутися нагрівальних елементів. Дітей до 8 років не можна залишати поруч із приладом без постійного нагляду.

## **ДОЗВОЛЕНЕ ВИКОРИСТАННЯ**

⚠ **ОБЕРЕЖНО:** Цей прилад не призначений для експлуатації із зовнішнім приладом для перемикання, наприклад, таймером або окремою системою дистанційного керування.

⚠ Цей прилад призначено для використання в побутових і подібних умовах, наприклад таких: в кухонних зонах магазинів, офісів та інших робочих середовищ; у фермерських господарствах; клієнтами в готелях, мотелях, хостелах й інших житлових приміщеннях.

⚠ Забороняється використовувати прилад для інших цілей (наприклад, для опалення приміщень).

⚠ Цей пристрій не призначений для професійного використання. Не користуйтеся приладом на вулиці.

⚠ Використовувати каструлі та сковороди, дно яких має такий самий або трохи більший діаметр, як і конфорки (див. відповідну таблицю). стежити, щоб каструлі на решітці не виступали за межі варильної панелі.

⚠ Неправильне використання решіток може призвести до пошкодження варильної панелі: Не

ставте решітку догори дном і не тягніть її по варильній панелі.

Регулюйте потужністю полум'я конфорки так, щоб воно не виходило за межі сковороди або каструлі.

Якщо поверхня варильної панелі виконана зі скла, не використовуйте чавунні, керамічні та виготовлені з натурального каменю каструлі та сковороди.

Не використовуйте: пристрої для рівномірного розсіювання полум'я (наприклад, металева сітка тощо); одночасно дві конфорки для одного посуду (наприклад, довгий посуд для приготування риби).

Якщо через певну місцеву якість подачі газу запалення конфорок викликає труднощі, рекомендовано повторити спробу запалювання, повернувши ручку керування потужністю конфорки до позначки малого полум'я.

У випадку встановлення витяжки над варильною поверхнею див. інструкції виробника витяжки для дотримання правильної відстані.

Захисні гумові ніжки на сітках можуть стати причиною удушення дітей. Після знімання сітки переконайтеся, що всі ніжки правильно встановлені.

## УСТАНОВЛЕННЯ

⚠ Встановлення і обслуговування приладу повинно виконуватись принаймні двома особами для уникнення ризику травмування. Під час розпакування та встановлення приладу використовуйте захисні рукавиці – існує ризик порізів.

⚠ Електричні та газові з'єднання мають відповідати місцевим нормам.

⚠ Установлення, підключення водопостачання (за наявності) і електричних з'єднань, як і ремонтні роботи, повинні виконуватись кваліфікованим персоналом. Не ремонтуйте та не замінійте жодну частину приладу, якщо в інструкції з експлуатації прямо не вказано, що це необхідно зробити. Недозволяйте дітям наближатись до місця установлення. Розпакувавши прилад, перевірте, чи немає на ньому пошкоджень після транспортування. Якщо це так, зверніться до дилера або найближчого центру післяпродажного обслуговування. Після встановлення залишки упаковки (пластик, пінополістиролові елементи тощо) повинні зберігатись в недоступному для дітей місці – існує небезпека удушення. Перед проведенням будь-яких робіт з установлення приладу слід відключити від електромережі для уникнення ризику ураження електричним струмом. Під час установлення приладу переконайтеся, що він не перетискає та не пошкоджує кабель живлення – існує ризик виникнення пожежі або ураження електрострумом. Вмикайте прилад лише після завершення процедури його встановлення.

⚠ **ПОПЕРЕДЖЕННЯ:** Критично важливими для безпеки і правильності використання приладу в усіх додаткових країнах є способи його модифікації і встановлення.

⚠ Використовуйте регулятори тиску, сумісні з показниками тиску газу, вказаними в інструкції.

⚠ Приміщення повинне бути оснащене витяжною системою, що видаляє всі гази і дим, які утворюються під час горіння.

⚠ У приміщенні також слід забезпечити належну циркуляцію повітря, оскільки для забезпечення нормального перебігу горіння потрібне свіже повітря. Приплив повітря не повинен бути меншим від 2 м<sup>3</sup>/год на кожний кіловат встановленої потужності.

⚠ Система циркуляції повітря повинна забирати свіже повітря безпосередньо з атмосфери за межами

приміщення за допомогою труби з площею внутрішнього перерізу не менше 100 см<sup>2</sup>; вхідний отвір повинен бути захищеним від будь-якого блокування.

⚠ Система також може постачати потрібне для процесу горіння повітря непрямым способом, тобто з суміжних приміщень, оснащених трубами для циркуляції повітря, що відповідають наведеним вище вимогам. Однак згадані вище приміщення не повинні бути приміщеннями спільного користування, спальними кімнатами або приміщеннями, що можуть бути пожежно небезпечними.

⚠ Пара рідкого палива спускається до підлоги, оскільки вона важча від повітря. Тому приміщення з балонами, наповненими зрідженим вуглеводневим газом, також слід оснастити вентиляторами, які б видаляли газ у випадку його витоку. Враховуючи згадані вище обставини, частково або повністю заповнені зрідженим вуглеводневим газом балони заборонено встановлювати або зберігати в приміщеннях або на складських майданчиках, що знаходяться нижче рівня землі (наприклад, у підвалах і подібних приміщеннях). Рекомендується зберігати лише балон, який використовується в приміщенні, і розташовувати його так, щоб на нього не могло діяти тепло від зовнішніх джерел (духових шаф, камінів, кухонних плит і т. п.), які можуть нагріти балон до температури вище 50 °С.

⚠ Усі столярні роботи виконуйте до вбудовування приладу в меблевий корпус і приберіть усю дерев'яну стружку та тирсу.

⚠ Якщо прилад не встановлений над піччю, необхідно встановити піддон для збирання рідини (не входить в комплект) у відділенні під приладом.

У разі виникнення труднощів з повертанням ручок керування потужністю пальників зверніться до центру післяпродажного обслуговування, щоб замінити кран пальника, якщо він виявиться несправним.

Заборонено перекривати отвори, що використовуються для вентиляції і розсіювання тепла.

## ПІДКЛЮЧЕННЯ ГАЗУ

⚠ **ПОПЕРЕДЖЕННЯ:** Перед встановленням слід переконатися, що місцеві умови постачання (тип газу і його тиск) і конфігурація газового приладу сумісні.

⚠ Перевірте, чи відповідає тиск газу значенням, вказаним у таблиці "Технічні умови пальників і сопел".

⚠ **ПОПЕРЕДЖЕННЯ:** Умови налаштування цього приладу вказані на спеціальній позначці (або на заводській табличці даних).

⚠ **ПОПЕРЕДЖЕННЯ:** Цей прилад не під'єднаний до пристрою видалення продуктів згорання. Його слід встановити і підключити відповідно до чинних норм встановлення. Особливу увагу потрібно приділити відповідним вимогам щодо вентиляції.

⚠ Якщо прилад приєднують до джерела зрідженого газу, слід максимально щільно затягнути регулювальний гвинт.

⚠ **ВАЖЛИВО:** Переконайтеся, що газовий балон або ємність із газом розміщується належним чином (у вертикальному положенні), а вже потім підключайте до них газовий прилад.

**⚠ ПОПЕРЕДЖЕННЯ:** Лише кваліфікованому майстру дозволяється проводити цю процедуру.

**⚠** Використовуйте тільки гнучкий або жорсткий металевий шланг для підключення до газової системи.

**⚠** Підключення за допомогою жорсткої труби (мідної або сталеві). Підключення до системи газопостачання слід виконувати таким чином, щоб на газовий прилад не діяло жодне зусилля натягу чи деформації. Газовий прилад оснащений у точці підключення газу Г-подібною з'єднувальною деталлю з ущільнювальним матеріалом, щоб уникнути витоку газу. Після обертання з'єднувальної деталі ущільнювальний матеріал завжди слід міняти (ущільнювальний матеріал постачається в комплекті газового приладу). З'єднувальна трубна деталь являє собою циліндричний охоплюваний з'єднувач із зовнішньою різью 1/2 дюйма для під'єднання газу.

**⚠** Підключення безшовної гнучкої труби з нержавіючої сталі до з'єднувача з різью. З'єднувальна трубна деталь являє собою циліндричний охоплюваний з'єднувач із різью 1/2 дюйма для під'єднання газу. Такі труби слід встановлювати таким чином, щоб у повністю розправленому стані їх довжина не перевищувала 2000 мм. Коли з'єднання виконане, гнучка металева труба не повинна торкатися рухомих деталей і не повинна знаходитися в стисненому стані. Слід використовувати лише труби і ущільнювальні матеріали, що відповідають вимогам актуальних національних нормативів.

**⚠ ВАЖЛИВО:** У разі використання шланга з нержавіючої сталі його слід встановити так, щоб він не торкався жодних рухомих частин меблів (наприклад, висувного ящика). Його слід прокласти в місці, де немає жодних перешкод і де його можна оглянути по всій довжині.

**⚠** Цей прилад слід під'єднувати до мережі газопостачання або до газового балона згідно з вимогами чинних національних нормативів. Перш ніж під'єднувати, переконайтеся, що даний прилад сумісний з системою газопостачання, якою плануєте користуватися. Якщо виявиться, що прилад несумісний з наявною системою, див. розділ "Налаштування відповідно до іншого типу газу".

**⚠** Підключивши прилад до газової мережі, за допомогою мильної води перевірте, чи немає витоку газу. Запаліть пальники та поверніть відповідні ручки керування потужністю пальників у максимальне (1\*), а потім мінімальне (2\*) положення, щоб перевірити рівномірність полум'я.

### **НАЛАШТУВАННЯ ВІДПОВІДНО ДО ІНШОГО ТИПУ ГАЗУ**

(Ці роботи має здійснювати кваліфікований персонал).

**⚠** Для того, щоб пристосувати прилад до роботи з іншим типом газу, а не тим, на який він був налаштований на заводі-виробнику (зазначений на етикетці з технічними даними), виконайте наступні кроки, наведені після креслень щодо монтажу.

### **ПОПЕРЕДЖЕННЯ ПРО НЕБЕЗПЕКУ УРАЖЕННЯ ЕЛЕКТРИЧНИМ СТРУМОМ**

**⚠ ВАЖЛИВО:** Інформація про споживання струму та напруги наведена на інформаційній табличці.

**⚠** Слід забезпечити можливість від'єднання приладу від електромережі шляхом витягування вилки (за наявності) з розетки або за допомогою багатополюсного перемикача, встановленого перед розеткою згідно з нормами прокладання електропроводки, крім того, прилад має бути заземлений відповідно до національних стандартів електробезпеки.

**⚠** Довжина кабелю живлення має бути достатньою для підключення приладу до електромережі після його встановлення в меблевий корпус. Не тягніть за кабель живлення приладу.

**⚠** Не використовуйте подовжувачі, розгалужувачі або адаптери. Після підключення електричні компоненти мають бути недосяжними для користувача. Не використовуйте прилад, якщо ви мокрі або босоніж. Забороняється користуватися цим приладом у разі пошкодження кабелю живлення або вилки й у разі неналежної роботи приладу або пошкодження чи падіння.

**⚠** Якщо кабель електроживлення пошкоджений, слід звернутись до виробника, сервісного агента або особи з подібною кваліфікацією для заміни на ідентичний кабель, щоб уникнути небезпеки - існує ризик ураження електричним струмом.


### **ЧИЩЕННЯ ТА ОБСЛУГОВУВАННЯ**

**⚠ ПОПЕРЕДЖЕННЯ:** перед здійсненням технічного обслуговування приладу переконайтеся в тому, що прилад вимкнений і відключений від джерела живлення ніколи не застосовуйте пристрої чищення парою – існує ризик ураження електричним струмом.

**⚠** Не використовуйте абразивні чи їдкі матеріали, очисники на основі хлору або металеві щітки.

**⚠** Щоб не пошкодити пристрій електричного запалювання, не використовуйте його, коли конфорки знаходяться не на своїх місцях.


### **УТИЛІЗАЦІЯ ПАКУВАЛЬНИХ МАТЕРІАЛІВ**

Пакувальний матеріал на 100% є вторинною сировиною, придатною для повторного використання, і позначений відповідним символом . Тому різні частини упаковки слід утилізувати відповідально та згідно з місцевими правилами щодо утилізації відходів.

### **УТИЛІЗАЦІЯ ПОБУТОВИХ ПРИЛАДІВ**

Цей прилад виготовлено з матеріалів, які підлягають вторинній переробці або придатні для повторного використання. Утилізуйте Перед проведенням будь-якого чищення або технічного обслуговування слід переконатися, що прилад охолонув. Його відповідно до місцевих правил утилізації відходів. Для отримання додаткової інформації про поводження з побутовими електричними приладами, їх утилізацію та вторинну переробку зверніться до місцевих органів, служби утилізації побутових відходів або в магазин, де ви придбали прилад. Цей прилад марковано відповідно до Європейської директиви 2012/19/ЄС, Директиви щодо відпрацьованого електричного й електронного обладнання (WEEE) та до Регламенту 2013 року про відходи електричного та електронного обладнання (зі змінами).

Забезпечивши правильну утилізацію цього приладу, ви допоможете запобігти негативним наслідкам для довкілля та здоров'я людей.

Символ  на виробі або в супровідній документації вказує на те, що прилад не можна утилізувати як побутові відходи, і що його потрібно здавати на утилізацію до відповідних центрів збору відходів для вторинної переробки електричного та електронного обладнання.

## ПОРАДИ ЩОДО ЕНЕРГОЗБЕРЕЖЕННЯ

Використовувати каструлі та сковороди, площа дна яких дорівнює площі конфорки.

Використовувати тільки каструлі та сковороди з плоским дном.

За нагоди накривати каструлі кришками під час приготування.

Використовувати скороварку, щоб заощадити електроенергію та час.

## ДЕКЛАРАЦІЯ ПРО ВІДПОВІДНІСТЬ

Цей прилад відповідає вимогам щодо екодизайну Регламенту ЄС 66/2014, вимогам щодо екодизайну для виробів, що споживають енергію, та Положенням про енергетичну інформацію (Поправка) (Вихід з ЄС) 2019 року, відповідно до європейського стандарту EN 30-2-1.

## ТЕХНІЧНІ УМОВИ ПАЛЬНИКІВ І СОПЕЛ UA

КАТЕГОРІЯ II2H3+

Тип газу, що використовується	Тип конфорки	Маркування форсунки	Номинальна потужність теплового потоку кВт	Номинальне споживання	Номинальний обсяг споживання кВт	Тиск газу мбар		
						мін	ном.	макс.
ПРИРОДНИЙ ГАЗ (Метан) <b>G20</b>	Напівшвидка (SR)	97	1,75	157 л/год	0,40	17	20	25
	Допоміжна (AUX)	78 A	1,00	95 л/год	0,40			
	2-кільцева (DC)	140 H3	3,50	333 л/год	2,20			
СКРАПЛЕНИЙ ГАЗ (Бутан) <b>G30</b>	Напівшвидка (SR)	67	1,75	125 г/год	0,40	20	28-30	35
	Допоміжна (AUX)	50	1,00	73 г/год	0,40			
	2-кільцева (DC)	94	3,50	254 г/год	2,20			
СКРАПЛЕНИЙ ГАЗ (Пропан) <b>G31</b>	Напівшвидка (SR)	67	1,75	127 г/год	0,40	25	37	45
	Допоміжна (AUX)	50	1,00	71 г/год	0,40			
	2-кільцева (DC)	94	3,50	250 г/год	2,20			

Тип газу, що використовується	Конфігурація моделі 4 КОНФОРКИ	Номинальна потужність теплового потоку (кВт)	Загальний номинальний обсяг споживання	Об'єм повітря (м <sup>3</sup> ), необхідний для спалювання 1 м <sup>3</sup> газу
<b>G20</b> 20 мбар	2SR - 1AUX - 1DC	8,00	762 л/год	9,52
<b>G30</b> 28-30 мбар	2SR - 1AUX - 1DC	8,00	581 г/год	30,94
<b>G31</b> 37 мбар	2SR - 1AUX - 1DC	8,00	571 г/год	23,80

ДЖЕРЕЛО ЕЛЕКТРОЕНЕРГІЇ: 220–240В~50-60Гц–0,6Вт

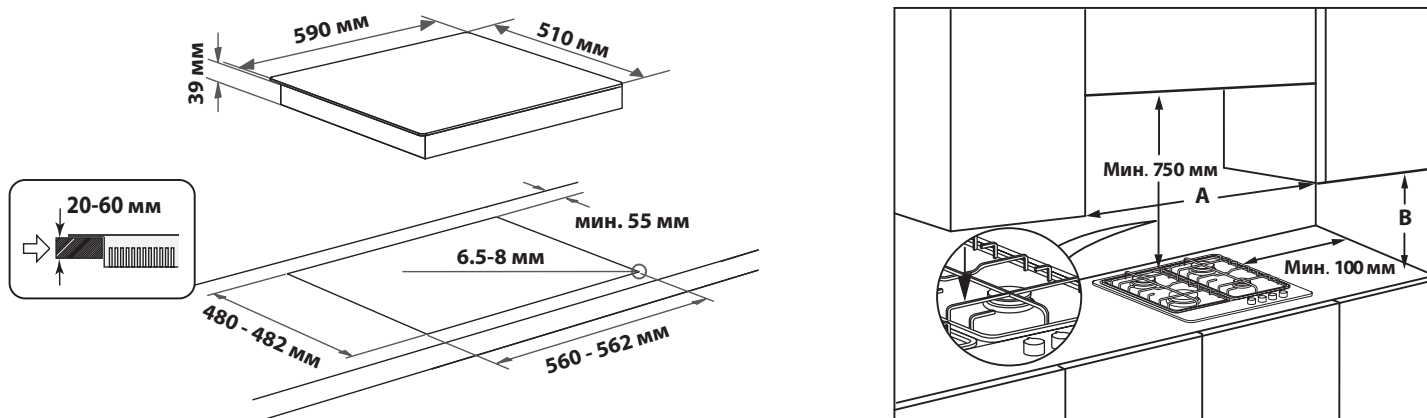


## УСТАНОВЛЕННЯ (КЛАС 3)

### ТЕХНІЧНА ІНФОРМАЦІЯ ДЛЯ МОНТАЖУ

- Під час обслуговування приладу, його підготовки до роботи та встановлення використовуйте захисні рукавиці.
- Для вбудування цього продукту підійдуть робочі поверхні завтовшки 20–60 мм.
- Якщо під варильною панеллю немає духової шафи, вставте піддон щонайменше такого ж розміру, як і отвір на робочій поверхні. Цей піддон слід розмістити максимум на 150 мм нижче верхньої частини робочої поверхні, але в жодному разі не ближче 20 мм від дна варильної панелі. Якщо ви плануєте встановлювати під варильною панеллю духову шафу, вона має бути оснащена системою охолодження.

### РОЗМІРИ ТА ВІДСТАНІ, ЯКИХ СЛІД ДОТРИМУВАТИСЯ



**ПРИМІТКА.** Якщо відстань "А" між настінними шафами має значення в діапазоні від 600 до 730 мм, висота "Б" повинна мати значення принаймні 530 мм.

Якщо відстань "А" між настінними шафами більша за ширину варильної поверхні, висота "Б" повинна мати значення принаймні 400 мм. У разі встановлення витяжки над варильною панеллю див. інструкції виробника витяжки, щоб визначити правильну відстань.

### МОНТАЖ

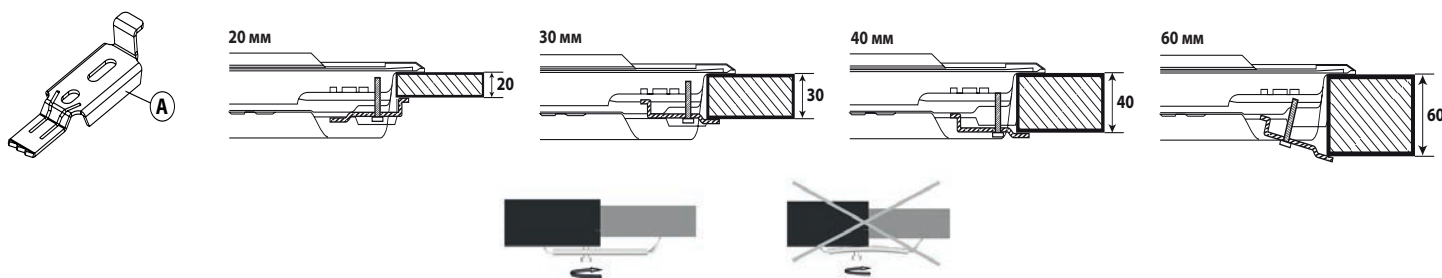
Очистивши поверхню по периметру, застосуйте до варильної панелі прокладку з комплекту постачання (див. рисунок).

Розмістіть варильну панель в отворі робочої поверхні, зробленого відповідно до вказаних у цих інструкціях розмірів.



**ПРИМІТКА.** Кабель живлення має бути достатньо довгим, щоб його можна було витягнути нагору.



Закріпіть варильну панель за допомогою скоб (А), що входять до комплекту. Припасуйте скоби відповідно до отворів, як показано стрілками на малюнку, а тоді затягніть їх за допомогою шурупів відповідно до товщини робочої поверхні (див. малюнки нижче).

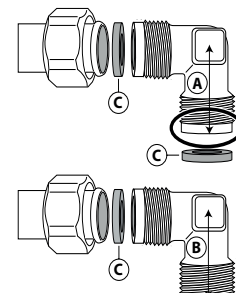


### ПІДКЛЮЧЕННЯ ГАЗУ

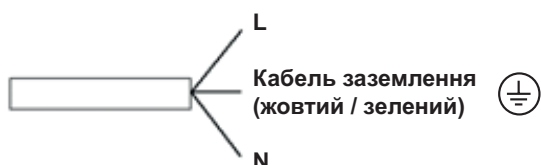
- З'єднайте колінчастий патрубок (А)\* або (В)\*, що входить до комплекту варильної панелі, з головною впускною трубою, поставивши між ними прокладку (С), що входить до комплекту та відповідає стандарту EN 549.

\* Використовуйте патрубок А у Франції, а патрубок В для всіх інших країн.

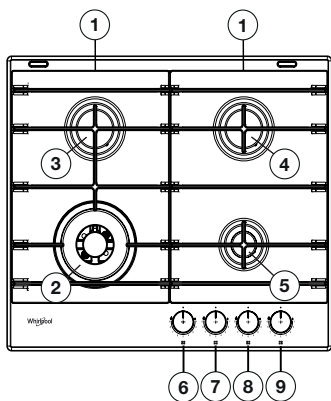
- Підключивши варильну панель до газової мережі, за допомогою мильної води перевірте, чи немає витoku газу. Запаліть конфорки та поверніть відповідні ручки керування потужністю конфорок у максимальне , а тоді в мінімальне , щоб перевірити рівномірність полум'я.



### ЕЛЕКТРИЧНЕ ПІДКЛЮЧЕННЯ



## ОПИС ВИРОБУ



1. Знімні решітки для каструль
2. 2-кільцева конфорка
3. Напівшвидка конфорка
4. Напівшвидка конфорка
5. Допоміжна конфорка
6. Ручка керування потужністю 2-кільцевої конфорки
7. Ручка керування потужністю напівшвидкої конфорки
8. Ручка керування потужністю напівшвидкої конфорки
9. Ручка керування потужністю допоміжної конфорки

### Символи

- Зафарбований круг ● Перекритий кран
- Велике полум'я Максимальний отвір/подача й електричне запалювання
- Мале полум'я Мінімальний отвір і знижена подача



## ЩОДЕННЕ ВИКОРИСТАННЯ

### ВИКОРИСТАННЯ ВАРИЛЬНОЇ ПАНЕЛІ

Регулюйте потужність полум'я конфорки так, щоб воно не виходило за межі сковороди або каструлі.

**ВАЖЛИВО!** під час використання варильної панелі може нагріватися вся її поверхня.

- Щоб запалити одну з конфорок, поверніть відповідну ручку проти годинникової стрілки до позначки максимального полум'я.
- Притисніть ручку до панелі керування, щоб запалити конфорку.
- Утримуйте ручку натиснутою впродовж 5–10 секунд після запалювання конфорки, щоб прилад запрацював належним чином.
- Захисний механізм цієї конфорки вимикає подачу газу на конфорку, якщо полум'я раптом зникає (через несподіваний протяг, перебої в подачі газу, википання рідини тощо).
- **Не рекомендовано утримувати ручку натиснутою понад 15 секунд. Якщо і після цього періоду часу конфорка не запалиться, зачекайте хвилину, перш ніж спробувати запалити її ще раз.**

**ПРИМІТКА.** Якщо через певні місцеві умови та якість подачі газу виникають труднощі із запаленням конфорок, рекомендовано повторити спробу запалювання, повернувши ручку керування потужністю конфорки до позначки малого полум'я.

Полум'я конфорки може згаснути, якщо відпустити ручку. Це означає, що захисний механізм недостатньо прогрівся. У такому разі повторіть перелічені вище дії.

Якщо полум'я випадково згасло, вимкніть газ ручкою регулювання та зачекайте приблизно 1 хвилину перед тим як запалювати його знову.

### ПРАКТИЧНІ ПОРАДИ З ВИКОРИСТАННЯ КОНФРОК

Ця варильна панель має конфорки різного діаметру. Щоб ефективніше використовувати конфорки, радимо:

- використовувати каструлі та сковороди, дно яких має такий самий або трохи більший діаметр, як і конфорки (див. таблицю праворуч);
- використовувати тільки каструлі та сковороди з плоским дном;
- використовувати правильну кількість води для приготування страв і накривати каструлі кришками;
- стежити, щоб каструлі на решітці не виступали за межі варильної панелі;
- (для сковорід із випуклим дном – вок) використовувати допоміжну решітку, яку слід розташувати тільки над багатокільцевою конфоркою;
- уникайте випадкових ударів каструлями, ґратками або іншою кухонними начинням;
- Не залишайте порожні сковороди для барбекю на увімкненій конфорці більше 5 хвилин.

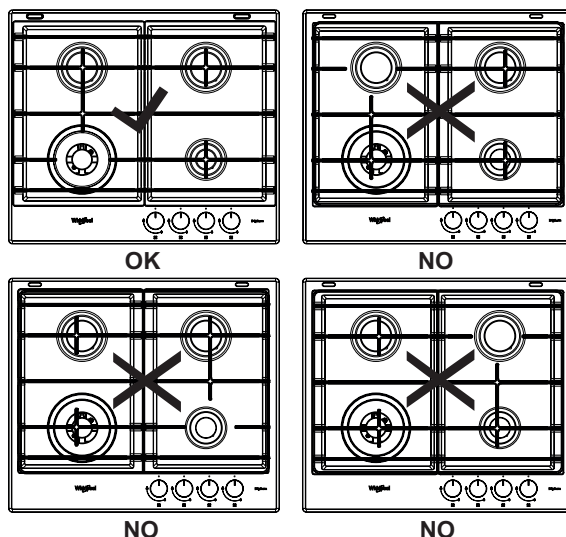
**ВАЖЛИВО!** Неправильне використання решіток може призвести до пошкодження варильної панелі. Не ставте решітку догори дном і не тягніть її по варильній панелі.

КОНФОРКА	Ø КАСТРУЛІ
2-кільцева	Від 24 до 26 см
Напівшвидка	Від 16 до 22 см
Допоміжна	Від 8 до 14 см

Не використовуйте:

- чавунні, керамічні та виготовлені з натурального камення каструлі та сковороди;
- пристрої для рівномірного розсіювання полум'я (наприклад, металева сітка тощо);
- одночасно дві конфорки для однієї посудини (наприклад, довга посудина для приготування риби).

### ПРАВИЛЬНЕ РОЗТАШУВАННЯ СІТКИ



### НАЛАШТУВАННЯ ВАРИЛЬНОЇ ПАНЕЛІ ВІДПОВІДНО ДО ІНШОГО ТИПУ ГАЗУ

Лише кваліфікований майстер повинен проводити цю процедуру.

Якщо на варильну панель постачатиметься інший тип газу, ніж вказано в таблиці технічних даних і на інформаційній етикетці на самій верхній панелі, змініть форсунки. Зніміть інформаційну етикетку та зберігайте її в посібнику з інструкціями.

**Використовуйте регулятори тиску, сумісні з показниками тиску газу, вказаними в цих інструкціях:**

- Лише працівники центру післяпродажного обслуговування або кваліфіковані фахівці повинні замінювати газові форсунки.
- Форсунки, які не входять до комплекту постачання, слід замовляти в центрі післяпродажного обслуговування.
- Установіть для кранів подачі газу мінімальне значення.

**ПРИМІТКА.** У разі використання зрідженого нафтового газу (G30/G31) гвинт регулювання мінімального значення потрібно максимально закрутити.

**ВАЖЛИВО!** У разі виникнення труднощів з повертанням ручок керування потужністю конфорок, зверніться до центру післяпродажного обслуговування, щоб замінити несправний кран конфорки.

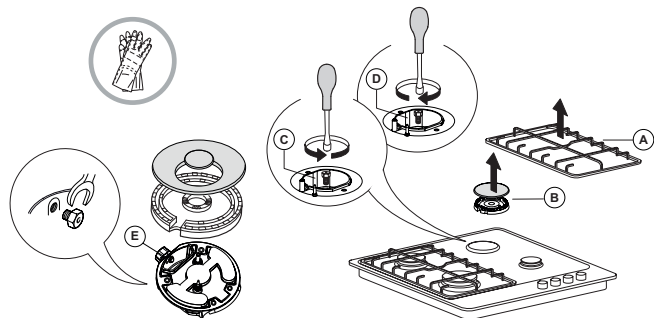
**ВАЖЛИВО!** Переконайтеся, що газовий балон або ємність із газом розміщуються належним чином (у вертикальному положенні), а вже потім підключайте до них варильну панель.

**ВАЖЛИВО!** Переконайтеся, що газовий балон або ємність із газом розміщуються належним чином (у вертикальному положенні), а вже потім підключайте до них варильну панель.

**ЗАМІНА ФОРСУНОК** (див. Таблицю форсунок в Інструкціях з техніки безпеки)

⚠ Лише кваліфікований майстер повинен проводити цю процедуру.

- Зніміть решітки (A).
- Витягніть конфорки (B).
- За допомогою торцевого ключа відповідного розміру розкрутіть форсунку (C) яку потрібно замінити.
- Замініть її на форсунку, придатну для нового типу газу.
- Вмонтуйте форсунку (D).
- Якщо конфорка має декілька коронок, замініть форсунку за допомогою бічного гайкового ключа (E).



Перш ніж установлювати варильну панель, не забудьте прикріпити табличку калібрування газу, що постачається з форсунками, щоб вона відповідала фактичним даним про калібрування подачі газу.

**НАЛАШТУВАННЯ КРАНІВ НА МІНІМАЛЬНУ ПОДАЧУ ГАЗУ**

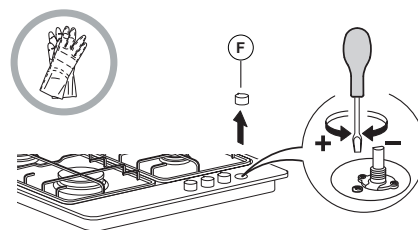
⚠ Лише кваліфікований майстер повинен проводити цю процедуру.

Налаштовувати подачу газу потрібно тоді, коли кран знаходиться в положенні мінімальної подачі (маленьке полум'я) ⚡. Первинне повітря в конфорках налаштовувати не потрібно.

Щоб пересвідчитися в правильному налаштуванні мінімальної подачі газу, зніміть ручку керування потужністю конфорки (F) та виконайте перелічені нижче дії:

- Закрутіть гвинт, щоб зменшити висоту полум'я (-);
- Послабте гвинт, щоб збільшити висоту полум'я (+).

На цьому етапі запаліть конфорку та поверніть ручку керування потужністю конфорки на максимальне ⚡, а тоді на мінімальне ⚡ значення, щоб перевірити рівномірність полум'я.



Завершивши налаштування, запечатайте необхідні ділянки за допомогою сургучу або аналогічного матеріалу.

**БАГАТОРІВНЕВЕ ПОЛУМ'Я**

РІВЕНЬ	МЕТОД/СПОСІБ ГОТУВАННЯ (РЕКОМЕНДУЄТЬСЯ ДЛЯ)	ПОРАДИ ЩОДО ПРИГОТУВАННЯ
1-2	ПІДТРИМАННЯ ТЕПЛА	Підходить для пом'якшення масла, повільного топлення шоколаду на водяній бані, розморожування дрібних порцій, заправки різонуті соусом.
	БЕРЕЖНЕ ПРИГОТУВАННЯ	
3-4	ПОВІЛЬНЕ КИПІННЯ	Підходить для приготування на повільному вогні (рис, соуси, печеня, риба) з використанням рідин (наприклад, з водою, вином, бульйоном), заправки макаронів соусом та підтримання повільного кипіння.
	ТУШКУВАННЯ	
5-6	СМАЖЕННЯ	Підходить для пасерування, тушкування овочів, приготування протягом тривалого часу, розігрівання посуду, розварювання.
	ТРИВАЄ ЗАЖАРЮВАННЯ	
7-8	СТІР-ФРАЙ	Підходить для підрум'янювання, початкової стадії приготування, швидкого доведення рідин до кипіння, смаження продуктів глибокої заморозки, приготування на грилі м'яса і риби, підтримання інтенсивного кипіння.
	ГРИЛЬ	
9	ШВИДКЕ НАГРІВАННЯ	Підходить для швидкого підігрівання страв або швидкого нагрівання рідин (води).

**ОБСЛУГОВУВАННЯ І ОЧИЩЕННЯ**

⚠ Від'єднайте прилад від джерела живлення.

**ОЧИЩЕННЯ ПОВЕРХНІ ВАРИЛЬНОЇ ПАНЕЛІ**

- Усі емальовані та скляні частини слід очищувати теплою водою та нейтральним розчином.
- Під час тривалого контакту з вапнистою водою або абразивними засобами на поверхнях із нержавіючої сталі можуть виникнути плями. Пролиту рідину (вода, соус, кава тощо) слід витирати одразу, ще до того, як вона засохне.
- Очищувати панель потрібно теплою водою та нейтральним миючим засобом, а тоді витирати насухо за допомогою м'якої тканини чи замші. Бруд від припалених решток їжі видаляйте за допомогою спеціальних очисників для поверхонь із нержавіючої сталі.

**ПРИМІТКА.** Нержавіючу сталь слід чистити тільки за допомогою м'якої тканини або губки.

- Не використовуйте абразивні чи їдкі матеріали, очисники на основі хлору або металеві щітки.
- Ніколи не застосовуйте пристрої, у яких для очищення використовується пара.
- Не використовуйте займісті продукти.
- Не залишайте кислотні або лужні речовини, наприклад оцет, гірчицю, сіль, цукор чи лимонний сік на варильній панелі.

**ОЧИЩЕННЯ ЧАСТИН ВАРИЛЬНОЇ ПАНЕЛІ**

- Чистьте скляні й емальовані частини лише за допомогою м'якої тканини чи губки.
- Решітки, кришки конфорок і конфорки можна також зняти, щоб почистити їх.
- Очистьте їх вручну за допомогою теплої води з неабразивним миючим засобом, видаляючи будь-які рештки їжі. Перевірте, чи жоден з отворів конфорки не забився.

- Промийте та висушіть їх.
- **Чавунну решітку можна мити в посудомийній машині. Перед тим, як помістити решітки в низ посудомийної машини, видаліть решітки їжі, що пригоріла.**
- Вставте конфорки у відповідні гнізда та належним чином накрийте конфорки кришками.
- Ставлячи на місце решітку, переконайтеся, що місце для каstrулі збігається з конфоркою.

- Для забезпечення справної роботи на моделях, що містять поршень електричного запалювання та захисний механізм, слід ретельно очищати край поршня. Часто перевіряйте ці елементи, а в разі необхідності чистьте їх вологою тканиною. Будь-які припалені решітки їжі слід видалити за допомогою зубочистки або голки.

**ПРИМІТКА. Щоб не пошкодити пристрій електричного запалювання, не використовуйте його, коли конфорки знаходяться не на своїх місцях.**

## ПОСІБНИК З УСУНЕННЯ НЕСПРАВНОСТЕЙ

Якщо варильна панель працює неналежним чином, перш ніж звертатися до центру післяпродажного обслуговування, перегляньте "Посібник з усунення несправностей", щоб визначити проблему.

### 1. Конфорка не запалюється або полум'я нерівномірне

Перевірте, чи:

- не перекрита подача газу та джерело живлення, а особливо, чи відкритий кран подачі газу;
- газовий балон (зріджений газ) не порожній;
- не забиті отвори конфорки;
- не забруднена вилка розетки;
- усі частини конфорки розташовані правильно;
- біля варильної панелі немає протягів.

### 2. Конфорка гасне

Перевірте, чи:

- під час запалювання конфорки ви протягом тривалого часу утримували натиснутою ручку керування потужністю конфорки,

щоб активувати захисний механізм;

- не забиті отвори конфорки біля термопарі;
- не забруднено край захисного механізму;
- правильно налаштовано мінімальну подачу газу (див. відповідний розділ).

### 3. Резервуари конфорки нестабільні

Перевірте, чи:

- дно резервуара ідеально рівне;
- резервуар розміщено на конфорці рівно по центру;
- не переплутано місця решіток і їх правильно встановлено.

Якщо після вищевказаних перевірок несправність не зникає, зверніться до найближчого центру післяпродажного обслуговування.

## ПІСЛЯПРОДАЖНЕ ОБСЛУГОВУВАННЯ

Для отримання більш повної допомоги зареєструйте свій прилад на сайті [www.whirlpool.eu/register](http://www.whirlpool.eu/register).

**ПЕРШ НІЖ ЗВЕРТАТИСЯ ДО ЦЕНТРУ ПІСЛЯПРОДАЖНОГО ОБСЛУГОВУВАННЯ, ВИКОНАЙТЕ НАВЕДЕНІ НИЖЧЕ ДІЇ:**

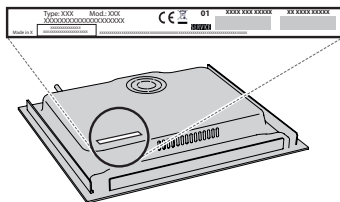
1. Перевірте, чи можна вирішити проблему самостійно за допомогою порад, наведених у розділі **ПОСІБНИК ІЗ УСУНЕННЯ НЕСПРАВНОСТЕЙ**.
2. Вимкніть прилад і знову увімкніть його, щоб перевірити, чи несправність залишається.

**ЯКЩО ПІСЛЯ ВИЩЕВКАЗАНОЇ ПЕРЕВІРКИ НЕСПРАВНІСТЬ НЕ ЗНИКНЕ, ЗВЕРНІТЬСЯ ДО НАЙБЛИЖЧОГО ЦЕНТРУ ПІСЛЯПРОДАЖНОГО ОБСЛУГОВУВАННЯ.**

Щоб отримати допомогу, зверніться за номером, що вказаний у гарантійному талоні, або дотримуйтеся інструкцій на сайті [www.whirlpool.eu](http://www.whirlpool.eu).

Під час зв'язку з нашим Сервісом післяпродажного обслуговування завжди уточнюйте:

- короткий опис несправності;
- тип і точну модель приладу;



- серійний номер (номер після слова SN на паспортній табличці, розташованій під приладом). Серійний номер вказаний також у документації;



Mod. XXX XXX

Ind.C. XXXX XXXX XXXX

Prod.N. 86999XXXXXXX S.N. XXXX XXXX XXXX

- повна адреса вашого місця проживання;
- ваш номер телефону.

Якщо потрібен ремонт, зверніться в авторизований центр післяпродажного обслуговування (щоб гарантувати, що будуть використані оригінальні запчастини та ремонт буде виконано правильно).

**Whirlpool Management EMEA S.r.l.**

via Carlo Pisacane n.1,  
20016 Pero (MI), ITALY



400011665293

**Whirlpool**