

# AMW 439/IX

12NC: 858743915900

GTIN (EAN) code: 8003437395406

Whirlpool

SENSING THE DIFFERENCE



## Whirlpool built in microwave oven: stainless steel color - AMW 439/IX

This Whirlpool built in Microwave Oven features: stainless steel color. Grill function. Crisp function, for unbeatably crisp quiches, pizzas and pies. Jet Defrost function for exceptionally fast and even defrosting.



### Dual Crisp

Enjoy an unbeatable crispness outside and a delicious tenderness inside, with DualCrisp. An exclusive technology by Whirlpool. Two microwave emission points to completely enfold food and evenly cook it also from the bottom.



### Grill

Fast grilling, faster cleaning. Your Microwave's powerful grilling function provides the same delicious results as a traditional oven. The tilting motion of the grill also ensures easier cleaning.



### JetDefrost

Fast defrosting. Use the unique JetDefrost 3D system to defrost food effectively and with ease in your microwave oven.



### Jet Start

Outstanding reheating speed. The JetStart function boosts the heat inside the oven to the maximum for 30 seconds, providing the ideal temperature to reheat food with high water content such as clear soups or beverages.



### Quartz grill

Ideal cooking experience. The Quartz Grill reheats and cooks your food faster than a traditional infrared grill. It is resource-efficient, reducing your energy costs, and entirely self-cleaning.



### 3D Technology

Cooked to perfection. The revolutionary 3D technology system ensures even heat circulation through a fully 3-dimensional heat distribution system, so you can always enjoy evenly-cooked meals, at the touch of a button.



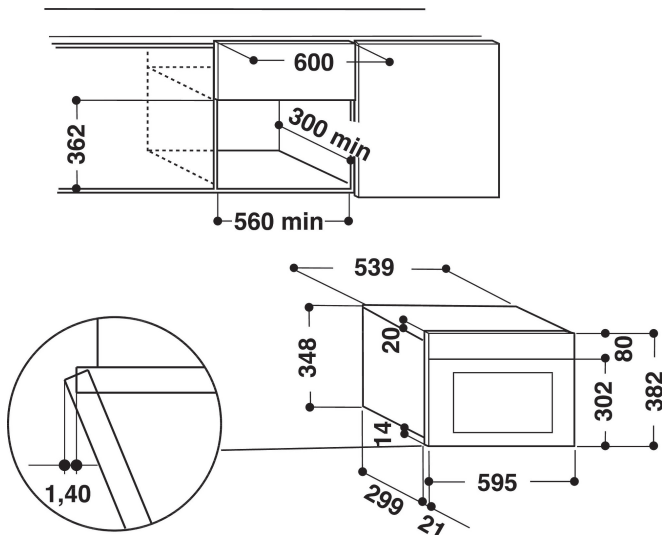
### 22 litres capacity

More room for your cooking creations. This Whirlpool Microwave offers a comfortable 22-litre capacity, ensuring you'll never run out of space to explore new recipes.



### Antifinger

Easy to clean. Anti-fingerprint treatment ensures fingerprints, dust and scratches are easily removed. Cleaning is easier than ever.



- Crisp Function
- Cavity 22 L
- Jet Start: rapid food reheating
- Jet Defrost: fast reheating
- 750 W microwave
- Digital timer 90 min.
- 25 cm turntable
- Maximum dish diameter: 280 mm
- Frontal ventilation
- Side opening
- Crisp plate and handle
- Crisp Function with Crisp Plate
- 3 Cooking Methods: Microwave, Grill, Crisp
- Connection Rating: 2000 W
- Quartz Grill
- 700 W Grill Power
- LEDs Digits only display with green letters (G2)

# AMW 439/IX

12NC: 858743915900

GTIN (EAN) code: 8003437395406

**Whirlpool**

SENSING THE DIFFERENCE

## MAIN FEATURES

Product group	Microwave
Commercial code	AMW 439/IX
Main colour of product	Stainless steel
Type of micro-wave oven	MW+Grill function
Construction type	Built-in
Type of control	Electronic
Type of control settings	LED
Additional cooking method Grill	Yes
Crisp	Yes
Steam	No
Additional cooking method Fan cooking	No
Clock	Yes
Automatic programmes	No
Height of the product	382
Width of the product	595
Depth of the product	320
Minimum niche height	360
Minimum niche width	556
Niche depth	300
Net weight (kg)	21
Cavity capacity (l)	22
Turntable	Yes
Turntable diameter (mm)	250
Integrated Cleaning system	No

## TECHNICAL FEATURES

Current (A)	10
Voltage (V)	230
Frequency (Hz)	50
Length of Electrical Supply Cord (cm)	135
Plug type	UK
Timer	Yes
Grill power (W)	700
Type of grill	Quartz
Cavity material	Painted
Interior light	Yes
Additional cooking method Grill	Yes
Position of interior lights of the cavity	Right side

## PERFORMANCES

6th Sense / Dynamic Intelligence	No
Number of power levels	4
Maximum micro-wave power (W)	750
Bread defrost	No
Jet defrost	Yes
Jet start	Yes