

## **Gebrauchsanweisung**

Instructions for use

## **Mode d'emploi**

Gebruiksaanwijzing

## **Istruzioni per l'uso**



## **Brugsanvisning**

Bruksanvisning

## **Käyttöohje**

Manual de utilização

## **Instrucciones para el uso**



## **Οδηγίες χρήσης**

Instrukcje użytkowania

## **Használati utasítás**

Инструкция за употреба



## **Návod k použití**

Návod na použitie

## **Instrucțiuni de utilizare**

Инструкции по эксплуатации

تعليمات الاستعمال

# **Whirlpool**

**SENSING THE DIFFERENCE**

|                                    |            |
|------------------------------------|------------|
| <b>INSTRUCTIONS FOR USE</b>        | <b>3</b>   |
| <b>MODE D'EMPLOI</b>               | <b>12</b>  |
| <b>ISTRUZIONI PER L'USO</b>        | <b>22</b>  |
| <b>INSTRUCCIONES DE USO</b>        | <b>32</b>  |
| <b>INSTRUÇÕES DE UTILIZAÇÃO</b>    | <b>41</b>  |
| <b>INSTRUKCJE UŻYTKOWANIA</b>      | <b>50</b>  |
| <b>NÁVOD K POUŽITÍ</b>             | <b>60</b>  |
| <b>NÁVOD NA POUŽITIE</b>           | <b>69</b>  |
| <b>HASZNÁLATI UTASÍTÁS</b>         | <b>78</b>  |
| <b>РУКОВОДСТВО ПО ЭКСПЛУАТАЦИИ</b> | <b>87</b>  |
| <b>ИНСТРУКЦИИ ЗА УПОТРЕБА</b>      | <b>97</b>  |
| <b>INSTRUCȚIUNI DE UTILIZARE</b>   | <b>107</b> |


# INSTRUCTIONS FOR USE

|                                      | <b>Page</b> |
|--------------------------------------|-------------|
| <b>IMPORTANT SAFETY INSTRUCTIONS</b> | <b>4</b>    |
| <b>INSTALLATION</b>                  | <b>6</b>    |
| <b>SAFEGUARDING THE ENVIRONMENT</b>  | <b>8</b>    |
| <b>DECLARATION OF CONFORMITY</b>     | <b>8</b>    |
| <b>TROUBLESHOOTING GUIDE</b>         | <b>8</b>    |
| <b>AFTER-SALES SERVICE</b>           | <b>9</b>    |
| <b>CLEANING</b>                      | <b>9</b>    |
| <b>MAINTENANCE</b>                   | <b>10</b>   |

## IMPORTANT SAFETY INSTRUCTIONS

### YOUR SAFETY AND THAT OF OTHERS IS VERY IMPORTANT

This manual and the appliance itself provide important safety warnings, to be read and observed at all times.

 This is the danger symbol, pertaining to safety, which alerts users to potential risks to themselves and others.

All safety warnings are preceded by the danger symbol and the following terms:

 **DANGER**

**Indicates a hazardous situation which, if not avoided, will cause serious injury.**

 **WARNING**

**Indicates a hazardous situation which, if not avoided, could cause serious injury.**

All safety warnings give specific details of the potential risk present and indicate how to reduce risk of injury, damage and electric shock resulting from improper use of the appliance. Carefully observe the following instructions:

- Use protective gloves to perform all unpackaging and installation operations.
- This appliance is extremely heavy accordingly, it must be lifted and handled by two or more people in order to avoid any risks or injuries.
- The appliance must be disconnected from the power supply before carrying out any installation work.
- Installation and maintenance must be carried out by a qualified technician, in compliance with the manufacturer's instructions and local safety regulations. Do not repair or replace any part of the appliance unless specifically stated in the user manual.
- Power cable replacement must be carried out by a qualified electrician. Contact an authorized service centre.
- Regulations require that the appliance is earthed.
- The power cable must be long enough for connecting the appliance, once fitted in its housing, to the main power supply.
- For installation to comply with current safety regulations, an allpole disconnect switch with minimum contact gap of 3 mm must be utilized.
- Do not use multiple plug adaptors if the oven is fitted with a plug.
- Do not use extension leads.
- Do not pull the power supply cable.
- The electrical components must not be accessible to the user after installation.
- Do not touch the appliance with any wet part of the body and do not operate it when barefoot.
- This appliance is designed solely for use as a domestic appliance for cooking food. No other type of use is permitted (e.g.: heating rooms). The Manufacturer declines all responsibility for inappropriate use or incorrect setting of the controls.
- The appliance and its accessible parts become hot during use. Care should be taken to avoid touching heating elements. Very young (0-3 years) and young



- children (3-8 years) shall be kept away unless continuously supervised
- Children from 8 years and above and persons with reduced physical, sensory or mental capabilities or lack of experience and knowledge can use this appliance only if they are supervised or have been given instructions on safe appliance use and if they understand the hazards involved. Children shall not play with the appliance. Cleaning and user maintenance shall not be made by children without supervision.
  - During and after use, do not touch the heating elements or interior surfaces of the appliance - risk of burns. Do not allow the appliance to come into contact with cloths or other flammable materials until all the components have cooled down completely.
  - At the end of cooking, exercise caution when opening the appliance door, letting the hot air or steam exit gradually before accessing the oven. When the appliance door is shut, hot air is vented from the aperture above the control panel. Do not obstruct the vent apertures.
  - Use oven gloves to remove pans and accessories, taking care not to touch the heating elements.
  - Do not place flammable materials in or near the appliance: a fire may break out if the appliance is inadvertently switched on.
  - Do not heat or cook sealed jars or containers in the appliance. The pressure that builds up inside might cause the jar to explode, damaging the appliance.
  - Do not use containers made of synthetic materials.
  - Overheated oils and fats catch fire easily. Always remain vigilant when cooking foods rich in fat and oil.
  - Never leave the appliance unattended during food drying.
  - If alcoholic beverages are used when cooking foods (e.g. rum, cognac, wine), remember that alcohol evaporates at high temperatures. As a result, there is a risk that vapours released by the alcohol may catch fire upon coming into contact with the electrical heating element.
  - Never use steam cleaning equipment.
  - Do not touch the oven during the pyrolysis cycle. Keep children away from the oven during the pyrolysis cycle.(only for ovens with Pyrolysis function).
  - Only use the temperature probe recommended for this oven.
  - Do not use harsh abrasive cleaners or sharp metal scrapers to clean the oven door glass since they can scratch the surface, which may result in shattering of the glass.
  - Ensure that the appliance is switched off before replacing the lamp to avoid the possibility of electric shock.

## Scrapping of household appliances

- This appliance is manufactured with recyclable or reusable materials. Scrap the appliance in accordance with local regulations on waste disposal. Before scrapping, cut off the power cords so that the appliances cannot be connected to the mains.
- For further information on the treatment, recovery and recycling of household electrical appliances, contact your competent local authority, the collection service for household waste or the store where you purchased the appliance.

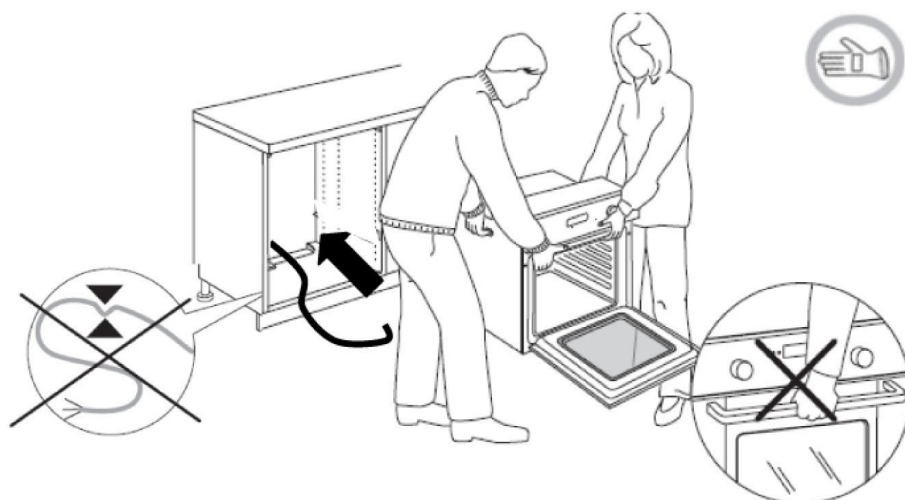
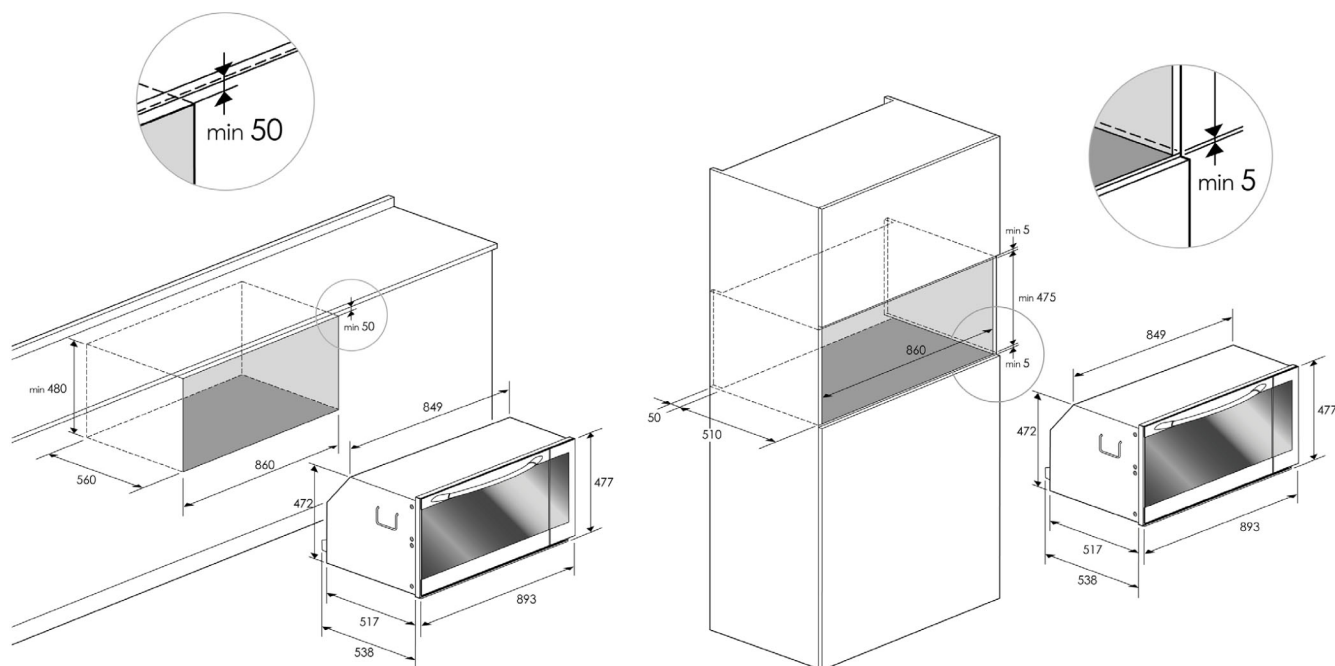
## INSTALLATION

Unpack the oven and make sure that the oven has not been damaged during transport and that the oven door closes properly.

In the event of problems, contact the dealer or your nearest After-sales Service. To prevent any damage, only remove the oven from its polystyrene foam base at the time of installation.

## PREPARING THE HOUSING UNIT

- Kitchen units in contact with the oven must be heat resistant (min 90°C).
- Carry out all cabinet cutting work before fitting the oven in the housing and carefully remove all wood chips and sawdust.
- After installation, the bottom of the oven must no longer be accessible.
- For correct appliance operation, do not obstruct the minimum gap between the worktop and the upper edge of the oven.

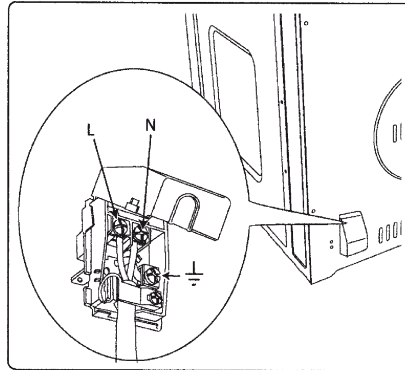


## **ELECTRICAL CONNECTION**

Make sure the power voltage specified on the appliance dataplate is the same as the mains voltage. The dataplate is on the front edge of the oven (visible when the door is open).

- Power cable replacement (type H05 RR-F 3 x 1.5 mm<sup>2</sup>) must be carried out by a qualified electrician. Contact an authorized service centre.

| <b>CABLE TYPES AND MINIMAL DIAMETERS</b> |
|--|
| <b>H05RR-F 3x1,5 mm<sup>2</sup></b>      |
| <b>H05VV-F 3x1,5 mm<sup>2</sup></b>      |
| <b>H05RN-F 3x1,5 mm<sup>2</sup></b>      |
| <b>H05V2V2-F 3x1,5 mm<sup>2</sup></b>    |



## **GENERAL RECOMMENDATIONS**

### **Before use:**


- Remove cardboard protection pieces, protective film and adhesive labels from accessories.
- Remove the accessories from the oven and heat it at the MAX temperature for 30 minutes to eliminate the smell and fumes from the insulating materials and protective grease.

### **During use:**


- Do not place heavy objects on the door as they could damage it.
- Do not cling to the door or hang anything from the handle.
- Do not cover the inside of the oven with aluminium foil.
- Do not pour water into the inside of a hot oven; this could damage the enamel coating.
- Do not drag pots or pans across the bottom of the oven as this could damage the enamel coating.
- Make sure that the electrical cables of other appliances do not touch hot parts of the oven or become trapped in the door.
- Do not expose the oven to atmospheric agents.

## SAFEGUARDING THE ENVIRONMENT

### **Disposal of packing material**

The packing material is 100% recyclable and is marked with the recycle symbol . The various parts of the packing must therefore be disposed of responsibly and in full compliance with local authority regulations governing waste disposal.

### **Scrapping the product**

- This appliance is marked in compliance with European Directive 2002/96/EC, Waste Electrical and Electronic Equipment (WEEE).
- By ensuring this product is disposed of correctly, you will help prevent potential negative consequences for the environment and human health, which could otherwise be caused by inappropriate waste handling of this product.
- The symbol  on the product or on the accompanying documentation indicates that it should not be treated as domestic waste but must be taken to an appropriate collection centre for the recycling of electrical and electronic equipment.

### **Energy saving**

- Only pre-heat the oven if specified in the cooking table or your recipe.
- Use dark lacquered or enamelled baking moulds as they absorb heat far better.

## DECLARATION OF CONFORMITY

- This oven, which is intended to come into contact with foodstuffs, complies with European Regulation (CE) n.1935/2004 and has been designed, manufactured and sold in conformity with the safety requirements of the "Low Voltage" directive 2006/95/CE (which replaces 73/23/CEE and subsequent amendments), the protection requirements of "EMC" 2004/108/CE.

## TROUBLESHOOTING GUIDE

### **The oven does not work:**

- Check for the presence of mains electrical power and if the oven is connected to the electrical supply.
- Turn off the oven and restart it to see if the fault persists.
- Check that the mechanical programmer is set to cooking time or manual function.

**This product contains a light source of energy efficiency class G.**

## AFTER-SALES SERVICE

### **Before calling the After-Sales Service:**

1. See if you can solve the problem yourself with the help of the suggestions given in the "Troubleshooting guide".
2. Switch the appliance off and back on again to see if the fault persists.

**If after the above checks the fault still occurs, get in touch with the nearest After-sales Service.**

Always specify:

- a brief description of the fault;
- the type and exact model of the oven;
- the service number (number after the word Service on the rating plate), located on the right hand edge of the oven cavity (visible when the oven door is open). The service number is also indicated on the guarantee booklet;
- your full address;
- your telephone number.

**SERVICE** 0000 000 00000



If any repairs are required, please contact an **authorised After-sales Service** (to guarantee that original spare parts will be used and repairs carried out correctly).

## CLEANING



### **WARNING**

- **Do not use steam cleaners.**
- **Only clean the oven when it is cool to the touch.**
- **Disconnect the appliance from the power supply.**

### **Exterior of the oven**

**IMPORTANT: Do not use corrosive or abrasive detergents. If any of these products accidentally comes into contact with the appliance, clean it immediately with a damp cloth.**

- Clean the surfaces with a damp cloth. If very dirty, add a few drops of neutral detergent to the water. Dry with a dry cloth.

### **Oven interior:**

**Important: do not use abrasive sponges or metallic scrapers or scourers. Over time, these can ruin enamelled surfaces and the oven door glass.**

- After every use, allow the oven to cool then clean it preferably while it is still warm in order to remove built-up dirt and stains caused by food residues (e.g. food with a high sugar content).
- Use specific oven detergents and follow the manufacturer's instructions to the letter.
- Clean the door glass with a suitable liquid detergent. The oven door can be removed to facilitate cleaning (see MAINTENANCE).

**N.B: during prolonged cooking of foods with a high water content (e.g. pizza, vegetables, etc.) condensation may form on the inside of the door and around the seal. When the oven is cold, dry the inside of the door with a cloth or sponge.**

### **Accessories:**

- Soak the accessories in water with washing up detergent immediately after use, handling them with oven gloves if still hot.
- Food residues can be easily removed using a brush or sponge

## MAINTENANCE

### **WARNING**

- Use safety gloves.
- Ensure the oven is cold before carrying out the following operations.
- Disconnect the appliance from the power supply.

### **REMOVING THE DOOR**

#### **To remove the door:**

1. Open the door fully.
2. Lift the catches and push them forwards as far as they will go (Fig. 1).
3. Close the door as far as it will go (A), lift it up (B) and turn it (C) until it is released (D) (Fig. 2).

#### **To refit the door:**

1. Insert the hinges in their seats.
2. Open the door fully.
3. Lower the two catches.
4. Close the door.

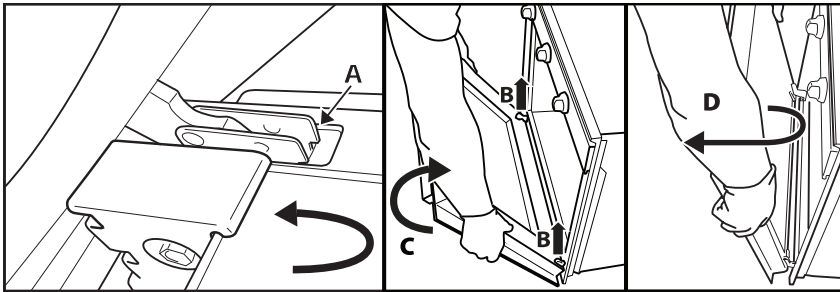


Fig. 1

Fig. 2

#### **To remove the side grilles**

To press down the grilles and lift up as shown in fig. 3.

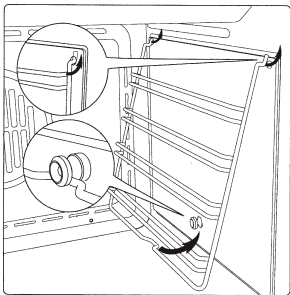


Fig. 3

## **REPLACING THE OVEN LAMP**

### **To replace the two rear lamps (fig. 4):**

- Disconnect the oven from the power supply.
- Unscrew the lamp cover (Fig. 5), replace the lamp (see note for lamp type) and screw the lamp cover back on.
- Reconnect the oven to the power supply.

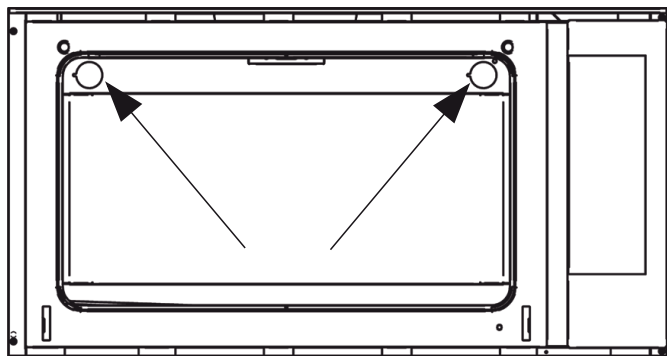


Fig. 4

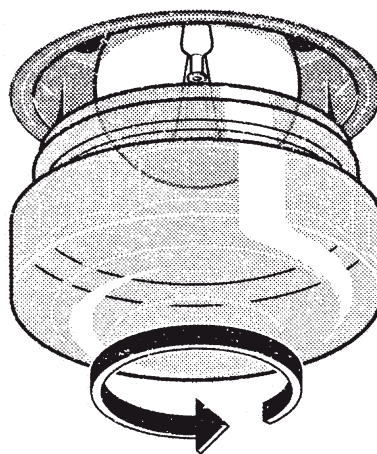


Fig. 5

### **N.B.:**

- Only use 25W / 230V type E14, T300°C incandescent lamps.
- The lamp used in the appliance is specifically designed for electrical appliances and is not suitable for household room illumination (Commission Regulation (EC) No 244/2009).
- Lamps are available from our After-sales Service.

# MODE D'EMPLOI


|   | <b>Page</b> |
|---|-------------|
| <b>CONSIGNES DE SÉCURITÉ IMPORTANTES</b>              | <b>13</b>   |
| <b>INSTALLATION</b>                                   | <b>16</b>   |
| <b>CONSEILS POUR LA PROTECTION DE L'ENVIRONNEMENT</b> | <b>18</b>   |
| <b>DÉCLARATION DE CONFORMITÉ</b>                      | <b>18</b>   |
| <b>DIAGNOSTIC DES PANNES</b>                          | <b>18</b>   |
| <b>SERVICE APRÈS-VENTE</b>                            | <b>19</b>   |
| <b>NETTOYAGE</b>                                      | <b>19</b>   |
| <b>ENTRETIEN</b>                                      | <b>20</b>   |



## CONSIGNES DE SÉCURITÉ IMPORTANTES

### LA SÉCURITÉ EST ESSENTIELLE, POUR VOUS ET VOTRE ENTOURAGE

Le présent manuel contient d'importants messages relatifs à la sécurité, qui figurent également sur l'appareil. Nous vous invitons à les lire soigneusement et à les respecter en toute circonstance.

-  Ceci est le symbole de danger relatif à la sécurité. Il met en garde l'utilisateur et toute autre personne contre les risques potentiels dérivant de l'utilisation de cet appareil.  
Tous les messages relatifs à la sécurité sont précédés du symbole de danger et des termes suivants :

 **DANGER**

**Indique une situation dangereuse qui, si elle n'est pas évitée, occasionnera de graves lésions.**

 **AVERTISSEMENT**

**Indique une situation dangereuse qui, si elle n'est pas évitée, est susceptible de provoquer des blessures graves.**

Tous les messages relatifs à la sécurité spécifient le danger potentiel auquel ils se réfèrent et indiquent comment réduire le risque de blessures, de dommages et de chocs électriques résultant d'une utilisation non réglementaire de l'appareil.

Veuillez observer scrupuleusement les instructions suivantes :

- Munissez-vous de gants de protection avant de procéder au déballage et à l'installation de l'appareil.
- Compte-tenu de son poids et pour des raisons de sécurité, la manutention et l'installation de l'appareil nécessitent la présence d'au moins deux personnes.
- Débranchez l'appareil du secteur avant de procéder aux opérations d'installation.
- L'installation et l'entretien sont réservés à un technicien spécialisé, conformément aux instructions du fabricant et à la réglementation locale en vigueur en matière de sécurité. Pour toute réparation ou tout remplacement de pièces, procédez uniquement aux opérations spécifiées dans le manuel en utilisant les pièces expressément indiquées.
- Si le cordon d'alimentation doit être remplacé, faites appel à un technicien qualifié. Adressez-vous à un Service Après-vente agréé.
- La mise à la terre de l'appareil est obligatoire.
- Le cordon d'alimentation doit être suffisamment long pour permettre le branchement de l'appareil une fois installé dans son logement.
- Pour que l'installation soit conforme aux réglementations en vigueur en matière de sécurité, l'appareil doit être branché au moyen d'un interrupteur omnipolaire avec une distance d'ouverture des contacts d'au moins 3 mm.
- N'utilisez pas d'adaptateurs multiprise si le four est doté d'une fiche.
- N'utilisez pas de rallonge.
- Ne tirez pas sur le cordon d'alimentation pour débrancher l'appareil.
- Une fois l'installation terminée, l'utilisateur ne devra plus pouvoir accéder aux composants électriques.
- Évitez de toucher l'appareil avec les mains mouillées et lorsque vous êtes pieds nus.
- Ce four a été conçu uniquement comme appareil ménager destiné à la

cuisson des aliments. Toute autre utilisation est considérée comme impropre (chauffer une pièce, par exemple). Le fabricant décline toute responsabilité en cas d'utilisation impropre ou de réglage incorrect des commandes.

- L'appareil et ses parties accessibles deviennent chauds pendant l'utilisation. Veillez à ne pas entrer en contact avec les résistances de l'appareil. Les enfants en bas âge (0-3 ans) et les jeunes enfants (3-8 ans) doivent être surveillés en permanence.
- Les enfants de plus de 8 ans et les personnes atteintes de déficiences physiques, sensorielles ou mentales, ou ayant une expérience et des connaissances insuffisantes, peuvent utiliser cet appareil uniquement sous la surveillance d'une personne responsable ou après avoir reçu des instructions sur l'utilisation de l'appareil en toute sécurité et compris les risques encourus. Empêchez les enfants de jouer avec l'appareil. Le nettoyage et l'entretien quotidien de l'appareil ne doivent pas être effectués par un enfant, à moins qu'une personne adulte ne supervise ces opérations.
- Pendant et après utilisation, évitez de toucher les résistances et les surfaces intérieures du four, au risque de vous brûler. Évitez de mettre le four en contact avec des chiffons ou tout autre matériau inflammable avant le refroidissement complet des composants de l'appareil.
- En fin de cuisson, soyez particulièrement prudent au moment d'ouvrir la porte. Laissez l'air chaud ou la vapeur s'évacuer progressivement de l'enceinte de cuisson avant d'accéder à celle-ci. Lorsque la porte est fermée, l'air chaud sort à travers l'ouverture située au-dessus du bandeau de commande. Évitez d'obstruer les ouvertures de ventilation.
- Munissez-vous de gants pour retirer les plats et les accessoires du four. Veillez à ne pas toucher les résistances.
- Ne placez aucun matériau inflammable à proximité ou à l'intérieur de l'appareil. Le cas échéant, un incendie risquerait de se produire en cas de mise en marche accidentelle de l'appareil.
- Évitez de chauffer ou de cuire au four des aliments dans des récipients hermétiques. La pression qui se développe à l'intérieur du récipient pourrait le faire exploser et endommager l'appareil.
- N'utilisez en aucun cas de récipients en matière synthétique pour cuire des aliments au four.
- Les graisses et les huiles surchauffées s'enflamment facilement. Surveillez régulièrement la cuisson si vous utilisez une quantité importante de graisse ou d'huile.
- Ne laissez jamais l'appareil sans surveillance pendant la dessiccation des aliments.
- Si des liquides contenant de l'alcool (par exemple, rhum, cognac, vin) sont utilisés pour cuisiner des plats, rappelez-vous que l'alcool s'évapore à des

températures élevées. Il peut donc s'ensuivre que les vapeurs dégagées par l'alcool s'enflamment en entrant en contact avec la résistance électrique.

- Pour nettoyer votre appareil, n'utilisez en aucun cas un jet d'eau sous haute pression ni d'appareil de nettoyage à la vapeur.
- Ne touchez pas le four pendant le cycle de pyrolyse. Éloignez les enfants de l'appareil pendant le déroulement du cycle de pyrolyse (uniquement pour les fours dotés de la fonction Pyrolyse).
- Utilisez uniquement la sonde de température spécifiquement recommandée pour ce four.
- N'utilisez en aucun cas de produits de nettoyage abrasifs ou de tampons métalliques à récurer pour nettoyer la vitre du four, car vous risqueriez de rayer la surface et d'entraîner à la longue sa rupture.
- Avant de remplacer la lampe du four, veillez à mettre l'appareil hors tension pour éviter tout risque éventuel d'électrocution.

## **Mise au rebut des appareils ménagers usagés**

- Cet appareil est fabriqué à partir de matériaux recyclables ou pouvant être réutilisés. Mettez-le au rebut en vous conformant aux prescriptions locales en matière d'élimination des déchets. Avant de mettre votre appareil au rebut, rendez-le inutilisable en sectionnant le cordon d'alimentation.
- Pour toute information sur le traitement et le recyclage de cet appareil, contactez le service municipal compétent, le service de collecte des déchets ménagers ou le magasin où vous l'avez acheté.

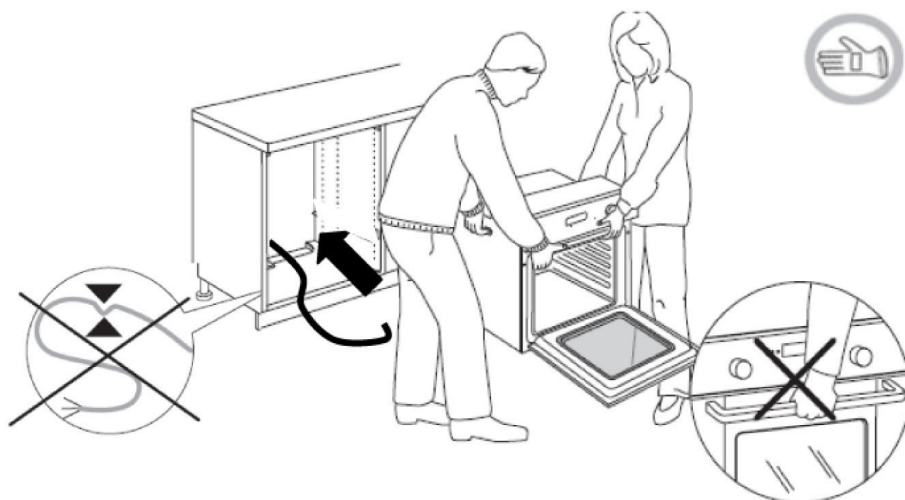
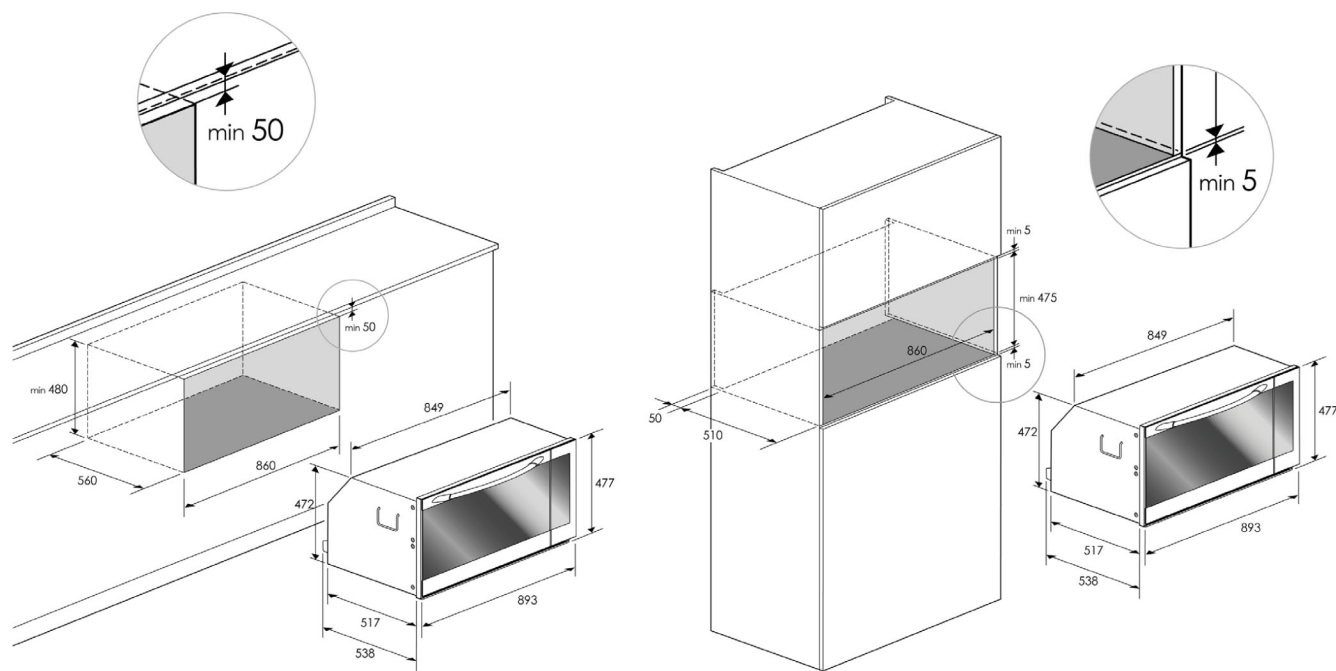
## **INSTALLATION**

Après avoir déballé le four, contrôlez qu'il n'a pas été endommagé pendant le transport et que la porte se ferme parfaitement.

En cas de problème, contactez votre revendeur ou le Service Après-vente le plus proche. Pour éviter un endommagement du four, il est recommandé de le retirer de la base en polystyrène uniquement au moment de l'installation.

## **PRÉPARATION DU MEUBLE POUR L'ENCASTREMENT**

- Les meubles de cuisine adjacents au four doivent résister à la chaleur (min. 90 °C).
- Procédez à la découpe du meuble avant d'installer le four et éliminez soigneusement les copeaux et la sciure de bois.
- Une fois l'installation terminée, la base du four ne doit plus être accessible.
- Pour un bon fonctionnement de l'appareil, veillez à ne jamais obstruer l'espace minimum requis entre le plan de travail et le bord supérieur du four.

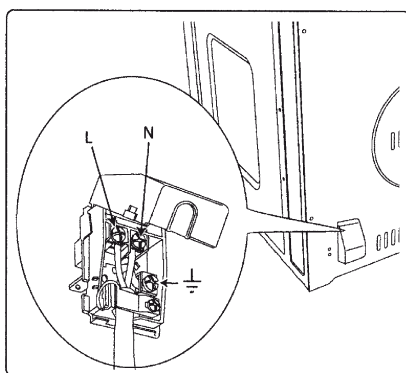


## **BRANCHEMENT ÉLECTRIQUE**

Vérifiez que la tension figurant sur la plaque signalétique de l'appareil correspond à celle de votre habitation. La plaque signalétique se trouve sur le bord avant du four (visible lorsque la porte est ouverte).

- Si un remplacement du cordon d'alimentation (type H05 RR-F 3 x 1,5 mm<sup>2</sup>) s'avère nécessaire, cette opération doit être effectuée par un électricien qualifié uniquement. Adressez-vous à un Service Après-vente agréé.

| <b>TYPES DE CÂBLE ET SECTIONS MINIMALES</b> |
|---|
| <b>H05RR-F 3x1,5 mm<sup>2</sup></b>         |
| <b>H05VV-F 3x1,5 mm<sup>2</sup></b>         |
| <b>H05RN-F 3x1,5 mm<sup>2</sup></b>         |
| <b>H05V2V2-F 3x1,5 mm<sup>2</sup></b>       |



## **RECOMMANDATIONS GÉNÉRALES**


### **Avant d'utiliser le four pour la première fois :**

- Retirez les protections en carton, les films plastiques et les étiquettes adhésives éventuellement présents sur les accessoires.
- Retirez tous les accessoires du four et faites-le chauffer à la température maximale pendant 30 minutes, afin d'éliminer les odeurs et les fumées qui se dégagent du matériau isolant et des graisses de protection.


### **Pendant l'utilisation du four :**

- Évitez de déposer des objets lourds sur la porte du four pour ne pas l'endommager.
- Évitez de prendre appui sur la porte et ne suspendez aucun objet à la poignée.
- Évitez de recouvrir l'intérieur du four avec des feuilles d'aluminium.
- Ne versez pas d'eau sur la surface intérieure d'un four chaud. Le cas échéant, un endommagement du revêtement en émail risquerait de se produire.
- Évitez de déplacer les ustensiles de cuisson en les faisant glisser sur le fond du four sous peine de rayer le revêtement.
- Veillez à ce que le cordon électrique d'autres appareils électroménagers se trouvant à proximité ne puisse entrer en contact avec les parties chaudes du four ni se coincer dans la porte.
- Évitez d'exposer le four aux agents atmosphériques.

### **Élimination des emballages**

Les matériaux d'emballage sont entièrement recyclables comme l'indique le symbole de recyclage . Par conséquent, ne les jetez jamais dans la nature et respectez les réglementations locales en vigueur en matière d'élimination des déchets.

### **Mise au rebut de l'appareil**

- Cet appareil porte le symbole du recyclage conformément à la Directive européenne 2002/96/CE concernant les déchets d'équipements électriques et électroniques (DEEE ou WEEE).
- En procédant correctement à la mise au rebut de cet appareil, vous contribuerez à empêcher toute conséquence nuisible pour l'environnement et la santé de l'homme.
- Le symbole  apposé sur le produit et sur la documentation qui l'accompagne indique que cet appareil ne doit pas être jeté avec les ordures ménagères, mais remis à un centre de collecte spécialisé dans le recyclage des appareils électriques et électroniques.

### **Conseils pour économiser l'énergie**

- Préchauffez le four uniquement si le tableau de cuisson, figurant sur la Fiche produit séparée, ou votre recette le précise.
- Utilisez des moules à pâtisserie foncés, laqués noir ou émaillés, car ceux-ci absorbent mieux la chaleur.

## DÉCLARATION DE CONFORMITÉ C E

- Ce four est destiné à être mis en contact avec des denrées alimentaires et est conforme au règlement (C E) n°1935/2004. Il a été conçu, fabriqué et commercialisé conformément aux exigences de sécurité de la directive « Basse Tension » 2006/95/CE (en remplacement de la directive 73/23/CEE et modifications ultérieures) et aux exigences de protection de la directive « CEM » 2004/108/CE.

## DIAGNOSTIC DES PANNES

### **Le four ne marche pas :**

- Vérifiez qu'il n'y a pas de coupure de courant et que le four est correctement branché.
- Éteignez puis rallumez le four pour voir si le problème a été éliminé.
- Vérifiez que le programmateur mécanique est positionné sur le temps de cuisson ou sur fonctionnement manuel

**Ce produit contient une source lumineuse de classe d'efficacité énergétique G.**

## SERVICE APRÈS-VENTE

### **Avant de contacter le Service après-vente :**

1. Vérifiez d'abord s'il n'est pas possible de remédier par vous-même au défaut en suivant les points décrits au chapitre « Diagnostic des pannes ».
2. Éteignez puis rallumez l'appareil pour voir si le problème a été éliminé.

### **Après ces contrôles, si le problème persiste, adressez-vous à votre Service Après-vente.**

Veillez toujours spécifier :

- une brève description du défaut ;
- le type et le modèle exact du four ;
- le code service (numéro suivant le mot « Service » sur la plaque signalétique) apposé sur le bord intérieur droit de la cavité du four (visible lorsque la porte est ouverte). Le code service est également indiqué dans le livret de garantie ;
- votre adresse complète ;
- votre numéro de téléphone.

**SERVICE** 0000 000 00000



Si le four doit être réparé, adressez-vous à un **Service Après-vente agréé** (vous aurez ainsi la garantie que les pièces défectueuses seront remplacées par des pièces d'origine et que la réparation de votre appareil sera effectuée correctement).

## NETTOYAGE



### **AVERTISSEMENT**

- **N'utilisez pas de nettoyeur vapeur.**
- **Attendez que le four soit froid avant de procéder à son nettoyage.**
- **Débranchez l'appareil.**

### **Extérieur du four**

**REMARQUE IMPORTANTE : N'utilisez en aucun cas de produits corrosifs ou de détergents abrasifs. En cas de contact accidentel d'un tel produit avec le four, essuyez immédiatement ce dernier avec un chiffon humide.**

- Nettoyez les surfaces à l'aide d'un chiffon humide. S'il est très sale, utilisez une solution d'eau additionnée de quelques gouttes de liquide vaisselle. Essuyez avec un chiffon sec.

### **Enceinte du four :**

**Remarque importante : évitez d'utiliser des éponges abrasives et des pailles de fer. À la longue, celles-ci risquent d'abîmer les surfaces émaillées et la vitre de la porte.**

- Après chaque utilisation, laissez refroidir le four et nettoyez-le, de préférence lorsqu'il est tiède, pour éviter que les résidus d'aliments ne s'incruster (par exemple, aliments à haute teneur en sucre).
- Utilisez des produits spécialement conçus pour les fours et observez les instructions du fabricant.
- Nettoyez la vitre de la porte du four avec un détergent liquide approprié. Pour faciliter le nettoyage de la porte, il vous est possible de la retirer (voir le chapitre ENTRETIEN).

**Remarque : durant les cuissons prolongées avec beaucoup d'eau (par exemple, pizzas, légumes, etc.), de la condensation risque de se former à l'intérieur de la porte et sur le pourtour du joint. Dès que le four est froid, essuyez à l'aide d'un chiffon ou d'une éponge.**

### **Accessoires :**

- Faites tremper les accessoires dans de l'eau contenant du détergent à vaisselle immédiatement après leur utilisation, en les manipulant avec des gants isolants ou des maniques s'ils sont encore chauds.
- Utilisez une brosse ou une éponge pour détacher facilement les résidus d'aliments.





### AVERTISSEMENT

- Munissez-vous de gants de protection.
- Assurez-vous que le four est froid avant d'effectuer les opérations suivantes.
- Débranchez l'appareil.

## DÉMONTAGE DE LA PORTE

### Pour démonter la porte :

1. Ouvrez complètement la porte du four.
2. Soulevez les deux manettes d'arrêt des charnières en les poussant vers l'avant, jusqu'à la butée (fig. 1).
3. Fermez complètement la porte (A), soulevez-la (B) et faites-la pivoter (C) jusqu'à ce qu'elle se décroche (D) (fig. 2).

### Pour remonter la porte :

1. Introduisez les charnières dans leur logement respectif.
2. Ouvrez complètement la porte du four.
3. Abaissez les deux manettes d'arrêt.
4. Fermez la porte du four.

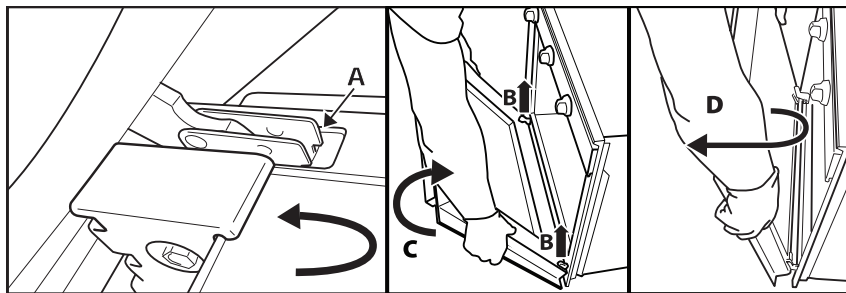


Fig. 1

Fig. 2

## Dépose des grilles latérales

Exercez une pression sur la grille, puis soulevez-la pour la dégager, comme illustré dans la fig. 3.

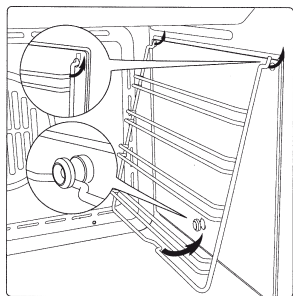


Fig. 3



## **REPLACEMENT DE L'AMPOULE**

**Pour remplacer les deux ampoules arrière (fig. 4) :**

- Débranchez le four.
- Dévissez le capot de l'ampoule (Fig. 5), remplacez l'ampoule brûlée par une ampoule neuve (voir Remarque pour connaître le type), puis revissez le capot de l'ampoule.
- Rebranchez le four.

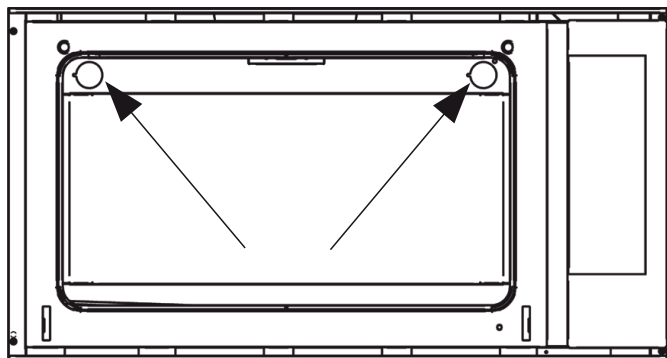


Fig. 4

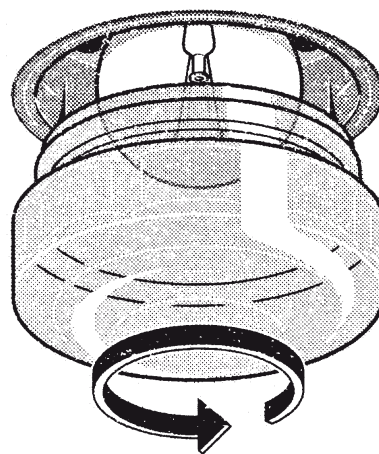


Fig. 5

### **REMARQUE :**

- Utilisez exclusivement des ampoules de 25W/230V, de type E-14, T300°C.
- L'ampoule utilisée dans l'appareil est spécialement conçue pour les appareils électriques et ne convient pas pour l'éclairage domestique (Règlement (CE) N° 244/2009 de la Commission).
- Ces ampoules sont disponibles auprès de nos Services Après-vente.


# ISTRUZIONI PER L'USO

|   | <b>Pagina</b> |
|---|---------------|
| <b>IMPORTANTI PRECAUZIONI DI SICUREZZA</b>        | <b>23</b>     |
| <b>INSTALLAZIONE</b>                              | <b>26</b>     |
| <b>CONSIGLI PER LA SALVAGUARDIA DELL'AMBIENTE</b> | <b>28</b>     |
| <b>DICHIARAZIONE DI CONFORMITÀ</b>                | <b>28</b>     |
| <b>GUIDA RICERCA GUASTI</b>                       | <b>28</b>     |
| <b>SERVIZIO ASSISTENZA</b>                        | <b>29</b>     |
| <b>PULIZIA</b>                                    | <b>29</b>     |
| <b>MANUTENZIONE</b>                               | <b>30</b>     |

## IMPORTANTI PRECAUZIONI DI SICUREZZA

### IMPORTANZA DELLA SICUREZZA PER SÉ E PER GLI ALTRI

Questo manuale e l'apparecchio stesso forniscono importanti avvisi per la sicurezza, che devono essere letti e a cui è necessario attenersi sempre.

-  Questo è il simbolo di pericolo per la sicurezza, che avverte gli utenti dei potenziali rischi per sé stessi e per gli altri.  
Tutti i messaggi relativi alla sicurezza saranno preceduti dal simbolo di pericolo e dai seguenti termini:

 **PERICOLO** Indica una situazione pericolosa che, se non evitata, provoca lesioni gravi.

 **AVVERTENZA** Indica una situazione pericolosa che, se non evitata, potrebbe provocare lesioni gravi.

Tutti i messaggi relativi alla sicurezza specificano il potenziale pericolo esistente ed indicano come ridurre il rischio di lesioni, danni e scosse elettriche conseguenti ad un non corretto uso dell'apparecchio. Attenersi scrupolosamente alle seguenti istruzioni:

- Utilizzare guanti protettivi per eseguire tutte le operazioni di rimozione imballaggio e installazione.
- Questo apparecchio è estremamente pesante. Di conseguenza, il sollevamento e la movimentazione devono essere eseguiti da due o più persone al fine di evitare rischi o infortuni.
- Prima di qualsiasi intervento di installazione l'apparecchio deve essere scollegato dalla rete elettrica.
- L'installazione o la manutenzione deve essere eseguita da un tecnico specializzato, in conformità alle istruzioni del fabbricante e nel rispetto delle norme locali vigenti in materia di sicurezza. Non riparare né sostituire alcuna parte dell'apparecchio a meno che non sia specificamente indicato nel manuale dell'uso.
- La sostituzione del cavo di alimentazione deve essere effettuata da un elettricista qualificato. Rivolgersi ai centri di assistenza autorizzati.
- La messa a terra dell'apparecchio è obbligatoria a termini di legge.
- Il cavo di alimentazione deve essere sufficientemente lungo da collegare l'apparecchio, una volta posizionato nell'ubicazione definitiva, alla presa di corrente di rete.
- Affinché l'installazione sia conforme alle norme di sicurezza vigenti, occorre un interruttore onnipolare avente una distanza minima di 3 mm tra i contatti.
- Non utilizzare adattatori a spina multipla se il forno è dotato di una spina.
- Non utilizzare prolunghe.
- Non tirare il cavo di alimentazione.
- I componenti elettrici non devono essere accessibili all'utente dopo l'installazione.
- Non toccare l'apparecchio con parti del corpo bagnate e non utilizzarlo a piedi scalzi.

- Questo apparecchio è destinato esclusivamente all'uso come elettrodomestico per la cottura di cibi. Non sono consentiti altri usi (es. riscaldamento di ambienti). Il costruttore declina ogni responsabilità per usi non appropriati o per errate impostazioni dei comandi.
- L'apparecchio e i suoi componenti accessibili diventano caldi durante l'uso. Fare attenzione a non toccare le resistenze. I bambini di età inferiore a 8 anni devono essere tenuti lontano dall'apparecchio, a meno che non siano sempre controllati.
- I bambini di età superiore a 8 anni e le persone con ridotte capacità fisiche, sensoriali o mentali o con esperienza e conoscenza inadeguate possono utilizzare questo apparecchio soltanto se sono sorvegliati o se è stato loro insegnato come usare l'apparecchio in condizioni di sicurezza e se sono a conoscenza dei pericoli che può comportare. I bambini non devono giocare con l'apparecchio. La pulizia e la manutenzione non devono essere effettuate da bambini, a meno che non siano sorvegliati da adulti.
- Durante e dopo l'uso non toccare le resistenze o le superfici interne dell'apparecchio per evitare di ustionarsi. Impedire che l'apparecchio entri a contatto con indumenti o altro materiale infiammabile fino a quando i componenti non si saranno completamente raffreddati.
- A fine cottura, aprire la porta dell'apparecchio con cautela, facendo uscire gradualmente l'aria calda o il vapore prima di accedere al suo interno. Quando la porta dell'apparecchio è chiusa l'aria calda fuoriesce dall'apertura sopra il pannello di controllo. Non ostruire in nessun caso le aperture di ventilazione.
- Usare guanti da forno per rimuovere pentole e accessori facendo attenzione a non toccare gli elementi riscaldanti.
- Non riporre materiale infiammabile nell'apparecchio o nelle sue vicinanze. Se l'apparecchio dovesse essere messo in funzione inavvertitamente, potrebbe incendiarsi.
- Non scaldare o cucinare utilizzando barattoli o contenitori chiusi ermeticamente nell'apparecchio. L'accumulo di pressione che si viene a creare all'interno potrebbe far esplodere il barattolo e danneggiare l'apparecchio.
- Non usare recipienti in materiale sintetico.
- I grassi e gli oli surriscaldati prendono facilmente fuoco. Sorvegliare la cottura di alimenti ricchi di grasso e di olio.
- Non lasciare mai l'apparecchio incustodito durante l'essiccazione degli alimenti.
- Se per la cottura degli alimenti si aggiungono bevande alcoliche (ad es. rum, cognac, vino) tenere presente che l'alcool evapora a temperature elevate. Non è quindi escluso che i vapori generati possano infiammarsi giungendo a contatto con la resistenza elettrica.
- Non usare assolutamente pulitrici a getto di vapore.

- Non toccare il forno durante il ciclo di pirolisi. I bambini devono essere mantenuti a distanza dal forno durante il ciclo di pirolisi (soltanto per forni con funzione Pirolisi).
- Usare solamente la sonda di temperatura fornita in dotazione o raccomandata per questo forno.
- Non impiegare detergenti abrasivi aggressivi o utensili metallici taglienti per pulire il vetro della porta del forno perché possono graffiare la superficie e mandare in frantumi il vetro.
- Assicurarsi che l'apparecchio sia spento prima di sostituire la lampadina per evitare scosse elettriche.

## Smaltimento elettrodomestici

- Questo prodotto è stato fabbricato con materiale riciclabile o riutilizzabile. Rottamarlo seguendo le normative locali per lo smaltimento dei rifiuti. Prima di disfarsene, renderlo inutilizzabile tagliando il cavo di alimentazione.
- Per ulteriori informazioni sul trattamento, recupero e riciclaggio di elettrodomestici, contattare l'idoneo ufficio locale, il servizio di raccolta dei rifiuti domestici o il negozio presso il quale il prodotto è stato acquistato.

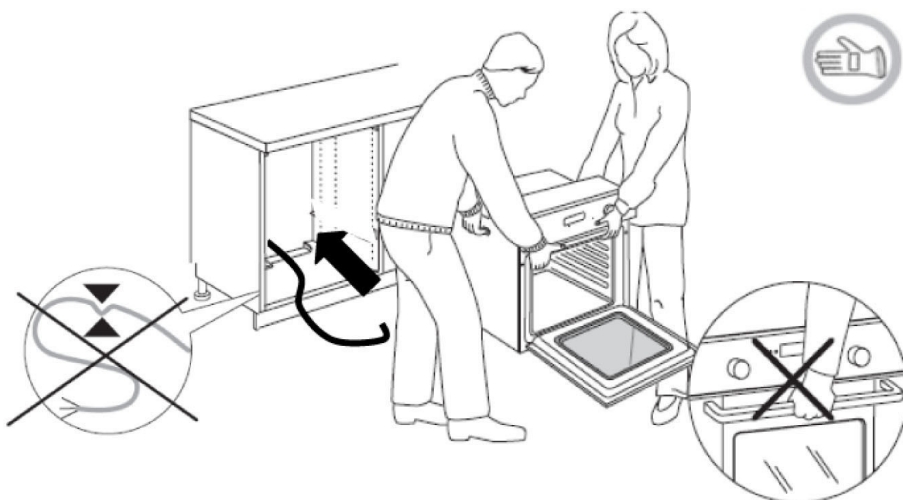
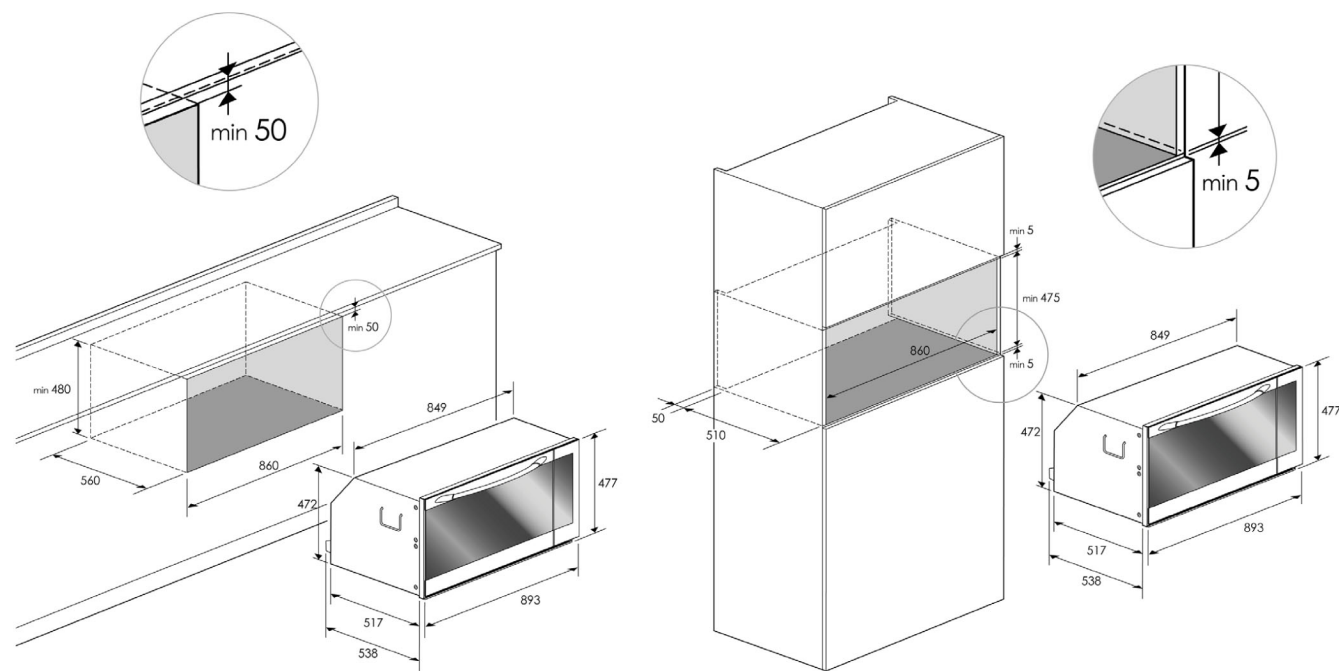
## INSTALLAZIONE

Dopo aver disimballato il forno verificare che non si sia danneggiato durante il trasporto e che la porta si chiuda perfettamente.

In caso di problemi contattare il rivenditore o il Servizio Assistenza più vicini. Per prevenire eventuali danni, si consiglia di rimuovere il forno dalla base in polistirolo soltanto prima dell'installazione.

## PREDISPOSIZIONE DEL MOBILE PER INCASSO

- I mobili della cucina adiacenti al forno devono resistere al calore (min 90°C).
- Eseguire tutti i lavori di taglio del mobile prima di inserire il forno e rimuovere accuratamente trucioli o residui di segatura.
- Dopo l'installazione, il fondo del forno non deve più essere accessibile.
- Per il corretto funzionamento dell'elettrodomestico, non ostruire lo spazio minimo tra il piano di lavoro e il bordo superiore del forno.

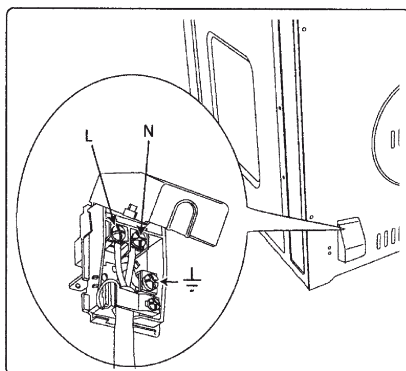


## **CONNESSIONE ALLA RETE ELETTRICA**

Controllare che la tensione indicata sulla targhetta matricola del prodotto sia la stessa della rete elettrica. Essa si trova sul bordo anteriore del forno (visibile quando la porta è aperta).

- Eventuali sostituzioni del cavo di alimentazione (tipo H05 RR-F 3 x 1,5 mm<sup>2</sup>) devono essere effettuate unicamente da personale qualificato. Rivolgersi ai centri di assistenza autorizzati.

| <b>TIPI DI CAVO E SEZIONI MINIME</b>  |
|---------------------------------------|
| <b>H05RR-F 3x1,5 mm<sup>2</sup></b>   |
| <b>H05VV-F 3x1,5 mm<sup>2</sup></b>   |
| <b>H05RN-F 3x1,5 mm<sup>2</sup></b>   |
| <b>H05V2V2-F 3x1,5 mm<sup>2</sup></b> |



## **RACCOMANDAZIONI GENERALI**

### **Prima dell'utilizzo:**


- Rimuovere protezioni di cartone, pellicole trasparenti ed etichette adesive dagli accessori.
- Togliere gli accessori dal forno e riscaldarlo alla temperatura MAX per 30 minuti per eliminare gli odori ed i fumi del materiale isolante e dei grassi di protezione.

### **Durante l'utilizzo:**


- Non appoggiare pesi sulla porta in quanto essi potrebbero danneggiarla.
- Non aggrapparsi alla porta o appendere oggetti alla maniglia.
- Non coprire l'interno del forno con pellicola di alluminio.
- Non versare acqua all'interno di un forno caldo; ciò potrebbe danneggiare il rivestimento smaltato.
- Non trascinare sul fondo del forno pentole o tegami per non rovinare lo smalto.
- Accertarsi che i cavi elettrici di altri apparecchi non vadano a toccare le parti calde del forno o ad incastrarsi nella porta.
- Non esporre il forno agli agenti atmosferici.

## CONSIGLI PER LA SALVAGUARDIA DELL'AMBIENTE

### **Smaltimento del materiale d'imballo**

Il materiale d'imballo è interamente riciclabile ed è contrassegnato dal simbolo del riciclaggio . Le varie parti dell'imballo devono pertanto essere smaltite responsabilmente e in stretta osservanza delle normative locali in materia di conferimento dei rifiuti.

### **Smaltimento prodotto**

- Questo apparecchio è contrassegnato in conformità alla Direttiva Europea 2002/96/EC, Waste Electrical and Electronic Equipment (WEEE).
- Assicurando il corretto smaltimento del prodotto si contribuisce ad evitare i potenziali effetti negativi sull'ambiente e sulla salute umana, che potrebbero altrimenti essere causati da una inappropriata gestione dei materiali di scarto di questo prodotto.
- Il simbolo  sul prodotto o sulla documentazione di accompagnamento indica che questo prodotto non deve essere trattato come rifiuto domestico, ma deve essere conferito presso l'idoneo punto di raccolta per il riciclaggio di apparecchiature elettriche ed elettroniche.

### **Risparmio energetico**

- Preriscaldare il forno solo se specificato nella tabella di cottura o nella ricetta.
- Usare stampi da forno scuri, laccati o smaltati, perché assorbono molto meglio il calore.

## DICHIARAZIONE DI CONFORMITÀ C E

- Questo apparecchio, destinato ad entrare a contatto con prodotti alimentari, è conforme al regolamento (C E) n.1935/2004 ed è stato progettato, costruito ed immesso sul mercato in conformità ai requisiti di sicurezza della direttiva "Bassa Tensione" 2006/95/CE (che sostituisce la 73/23/CEE e successivi emendamenti), nonché ai requisiti di protezione della direttiva "EMC" 2004/108/CE.

## GUIDA RICERCA GUASTI

### **Il forno non funziona:**

- Verificare che ci sia tensione in rete e che il forno sia connesso elettricamente.
- Spegner e riaccendere il forno, per accertare che l'inconveniente sia stato ovviato.
- Verificare che il programmatore meccanico sia stato impostato sul tempo di cottura o sul funzionamento manuale.

**Questo prodotto contiene una sorgente luminosa di classe di efficienza energetica G.**



## SERVIZIO ASSISTENZA

### **Prima di contattare il Servizio Assistenza:**

1. Verificare che non sia possibile risolvere da soli il problema sulla base dei punti descritti in "Guida ricerca guasti".
2. Spegner e riaccendere l'apparecchio per accertarsi che l'inconveniente sia stato ovviato.

**Se dopo i suddetti controlli l'inconveniente permane, contattare il Servizio Assistenza più vicino.**

Indicare sempre:

- una breve descrizione dell'anomalia;
- il tipo e il modello esatto del forno;
- il numero Assistenza (è il numero che si trova dopo la parola Service sulla targhetta matricola), posto sul bordo interno destro della cavità del forno (visibile a porta aperta). Il numero dell'Assistenza è anche riportato sul libretto di garanzia;
- il vostro indirizzo completo;
- il vostro numero di telefono.

**SERVICE** 0000 000 00000



Qualora si renda necessaria una riparazione, rivolgersi ad un **Centro di Assistenza Tecnica autorizzato** (a garanzia dell'utilizzo di pezzi di ricambio originali e di una corretta riparazione)

## PULIZIA



### **AVVERTENZA**

- **Non usare pulitrici a vapore.**
- **Effettuare la pulizia ad apparecchio freddo.**
- **Scollegare l'apparecchio dalla rete elettrica.**

### **Esterno del forno**

**IMPORTANTE: non usare detergenti corrosivi o abrasivi. Se, inavvertitamente, uno di questi prodotti dovesse venire a contatto con l'apparecchio, pulirlo subito con un panno umido.**

- Pulire con panno umido le superfici. Se molto sporche, aggiungere all'acqua qualche goccia di detersivo neutro. Asciugare con un panno asciutto.

### **Interno del forno**

**IMPORTANTE: non utilizzare spugne abrasive, pagliette o raschietti metallici. Il loro impiego, col tempo, potrebbe rovinare le superfici smaltate e il vetro della porta.**

- Dopo ogni uso, lasciare raffreddare il forno e pulirlo preferibilmente quando è ancora tiepido per rimuovere incrostazioni e macchie dovute a residui di cibo (ad es. cibi con un elevato contenuto di zuccheri).
- Usare detergenti specifici per la pulizia del forno ed attenersi alle indicazioni del Fabbricante.
- Pulire il vetro della porta con detergenti liquidi specifici. Per facilitare la pulizia della porta è possibile rimuoverla (vedi MANUTENZIONE).

**N.B.: durante le cotture prolungate di alimenti con un elevato contenuto di acqua (pizza, verdure ripiene ecc.), si può formare condensa all'interno della porta e sulla guarnizione. A forno freddo, asciugare con un panno o una spugna.**

### **Accessori:**

- Immergere immediatamente gli accessori in acqua e detersivo per piatti immediatamente dopo l'uso, avendo cura di maneggiarli con guanti da forno se sono ancora caldi.
- I residui di alimenti si possono eliminare facilmente con una spazzola o una spugna.



### AVVERTENZA

- Utilizzare guanti protettivi.
- Eseguire le operazioni indicate ad apparecchio freddo.
- Scollegare l'apparecchio dalla rete elettrica.

### RIMOZIONE DELLA PORTA

#### Per togliere la porta:

1. Aprire completamente la porta.
2. Sollevare le levette di arresto delle cerniere e spingerle in avanti fino al fermo (Fig. 1).
3. Chiudere la porta fino al bloccaggio (A), sollevarla (B) e ruotarla (C) fino allo sganciamento della stessa (D) (Fig. 2).

#### Per riposizionare la porta:

1. Inserire le cerniere nelle apposite sedi.
2. Aprire completamente la porta.
3. Abbassare le due levette di arresto.
4. Chiudere la porta.

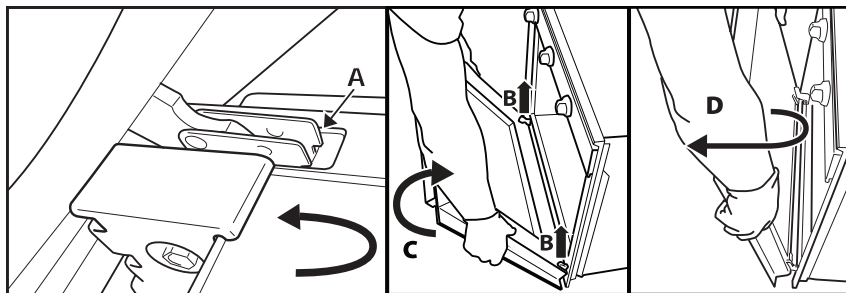


Fig. 1

Fig. 2

### Rimozione griglie laterali

Premere le griglie e sollevarle come illustrato nella fig. 3

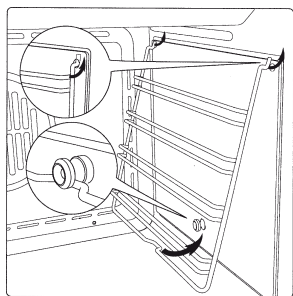


Fig. 3

## **SOSTITUZIONE DELLA LAMPADA**

### **Per sostituire le due lampade posteriori (fig. 4):**

- Scollegare il forno dalla rete elettrica.
- Svitare la copertura della lampada (Fig. 5), sostituire la lampada (vedere la nota per il tipo di lampada) e avvitare di nuovo il coperchio della lampada.
- Ricollegare il forno dalla rete elettrica.

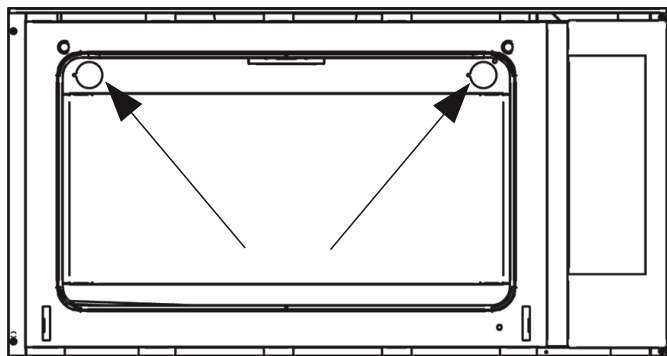


Fig. 4

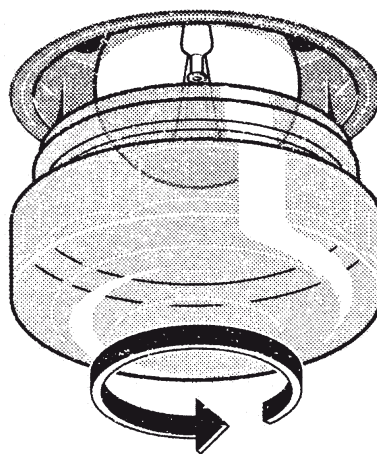


Fig. 5

### **N.B.:**

- Usare solo lampade ad incandescenza da 25W/230V tipo E14, T300°C.
- La lampada usata nell'apparecchio è progettata appositamente per apparecchi elettrici e non è indicata per l'illuminazione della stanza (Regolamento della Commissione (CE) N. 244/2009).
- Le lampade sono disponibili presso i Servizi Assistenza Clienti.


# INSTRUCCIONES DE USO

|  | <b>página</b> |
|--|---------------|
| <b>INSTRUCCIONES IMPORTANTES PARA LA SEGURIDAD</b> | <b>33</b>     |
| <b>INSTALACIÓN</b>                                 | <b>35</b>     |
| <b>PROTECCIÓN MEDIOAMBIENTAL</b>                   | <b>37</b>     |
| <b>DECLARCIÓN DE CONFORMIDAD</b>                   | <b>37</b>     |
| <b>GUÍA PARA SOLUCIONAR PROBLEMAS</b>              | <b>37</b>     |
| <b>SERVICIO DE ASISTENCIA TÉCNICA</b>              | <b>38</b>     |
| <b>LIMPIEZA</b>                                    | <b>38</b>     |
| <b>MANTENIMIENTO</b>                               | <b>39</b>     |

## INSTRUCCIONES IMPORTANTES PARA LA SEGURIDAD

### SU SEGURIDAD Y LA DE LOS DEMÁS SON MUY IMPORTANTES

Este manual y el propio aparato proporcionan mensajes de seguridad importantes, que deberán ser leídos y respetados en todo momento.

-  Este es el símbolo de peligro, relativo a la seguridad, que nos avisa de posibles riesgos para el usuario y las demás personas.  
Todos los mensajes de seguridad están precedidos del símbolo de peligro y de los siguientes términos:

 **PELIGRO**

Indica una situación peligrosa que, si no se evita, causará heridas graves.

 **ADVERTENCIA**

Indica una situación peligrosa que, si no se evita, causará heridas graves.

Todos los avisos de seguridad dan detalles específicos sobre el posible peligro e indican cómo reducir el riesgo de heridas, daños y descarga eléctrica como consecuencia de un uso indebido del aparato. Aténgase estrictamente a las siguientes instrucciones:

- Use guantes protectores para realizar todas las operaciones de desembalaje e instalación.
- Este aparato es muy pesado y, por lo tanto, deberá ser izado y manejado por dos o más personas, para evitar todo riesgo o herida.
- El aparato deberá ser desconectado del suministro eléctrico antes de realizar una operación de instalación.
- La instalación y el mantenimiento deberán ser realizados por un técnico especializado, siguiendo las instrucciones del fabricante y la normativa local vigente. No repare ni cambie ninguna pieza del aparato, salvo que se indique específicamente en el manual de usuario.
- El cable eléctrico deberá ser cambiado por un electricista cualificado. Ponerse en contacto con un centro de asistencia técnica autorizado.
- Las normativas exigen que el aparato esté puesto a tierra.
- El cable de alimentación tiene que ser lo suficientemente largo como para poder conectarlo a la fuente de alimentación, una vez colocado en su hueco.
- Para que la instalación cumpla las actuales normas de seguridad, se deberá usar un interruptor de desconexión omnipolar con un espacio mínimo entre contactos de 3 mm.
- No utilice cajas para varios enchufes si el horno tiene un enchufe.
- No utilice cables de extensión.
- No tire del cable de alimentación.
- Una vez terminada la instalación, los componentes eléctricos no deberán quedar accesibles para el usuario.
- No toque el aparato con partes del cuerpo húmedas y no lo utilice con los pies descalzos.
- El aparato está destinado exclusivamente al uso doméstico para la cocción de alimentos. No se admite ningún otro uso (ej. calentar habitaciones). El fabricante declina toda responsabilidad por el uso inadecuado o la configuración incorrecta de los mandos.

- El aparato y sus piezas accesibles se calentarán durante el uso. Tenga cuidado de no tocar los elementos calientes. Los niños muy pequeños (0-3 años) y pequeños (3-8 años) deberán permanecer alejados del aparato, salvo que sean supervisados continuamente.
- Los niños de 8 años o más y las personas con discapacidad física, sensorial o mental, o con falta de experiencia y conocimientos, podrán utilizar el aparato sólo si son supervisadas o si han recibido instrucciones sobre el uso seguro del aparato, y si comprenden los peligros que implica. Los niños no deberán jugar con el aparato. La limpieza y el mantenimiento no deberán ser realizados por niños sin supervisión.
- Durante y después del uso, no toque los elementos calientes ni las superficies interiores del aparato: peligro de quemadura. No permita que el aparato entre en contacto con ropa u otros materiales inflamables hasta que todos los componentes se hayan enfriado por completo.
- Al final de la cocción, tenga cuidado al abrir la puerta del aparato y deje que salga el aire caliente o el vapor de forma gradual antes de introducir las manos en el horno. Cuando la puerta del horno está cerrada, el aire caliente sale por la abertura situada sobre el panel de mandos. No obstruir dichas aberturas.
- Use guantes de horno para extraer las fuentes y accesorios, con cuidado de no tocar los elementos calientes.
- No coloque materiales inflamables en el interior o cerca del aparato: podría producirse un incendio si el aparato se enciende accidentalmente.
- No caliente ni cocine en el horno alimentos en envases o recipientes cerrados. El envase puede explotar debido a la presión que se genera en el interior y dañar el aparato.
- No utilice recipientes de materiales sintéticos.
- El aceite y la grasa recalentados prenden fuego con facilidad. Vigile la cocción de los alimentos ricos en grasa y aceite.
- No desatienda el aparato al freír alimentos.
- Si utiliza bebidas alcohólicas para cocinar (por ej. ron, coñac, vino), recuerde que el alcohol se evapora a temperaturas elevadas. Por lo tanto, es posible que el vapor de alcohol llegue a las resistencias eléctricas y se inflame.
- No utilice aparatos de limpieza con vapor.
- No toque el horno durante el ciclo de pirólisis. Mantenga a los niños alejados del horno durante el ciclo de pirólisis.(sólo para los hornos con función de Pirólisis).
- Use sólo la sonda de temperatura recomendada para este horno.
- No utilice limpiadores abrasivos fuertes ni estropajos duros de metal para limpiar el cristal de la puerta del horno porque podrían rayar la superficie, lo que podría provocar la rotura del cristal.
- Asegúrese de que el aparato esté apagado antes de cambiar la lámpara para evitar una posible descarga eléctrica.

## Eliminación de los electrodomésticos

- Este producto ha sido fabricado con material reciclable o reutilizable. Se debe desguzar de conformidad con las normas de eliminación de desechos. Antes de desecharlo, cortar el cable de alimentación para inutilizarlo.
- Para más información sobre el tratamiento, la recuperación y el reciclaje de los electrodomésticos, póngase en contacto con la autoridad local competente, el servicio de recogida de residuos domésticos o el punto de venta donde adquirió el aparato.

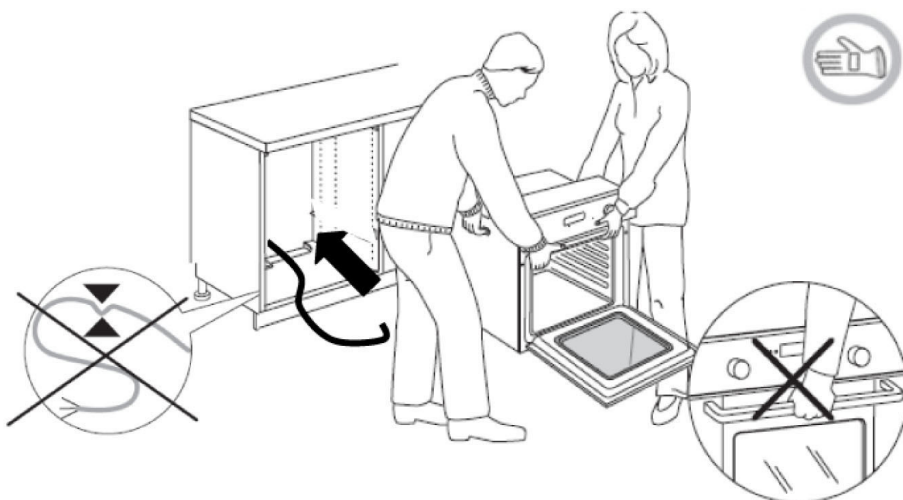
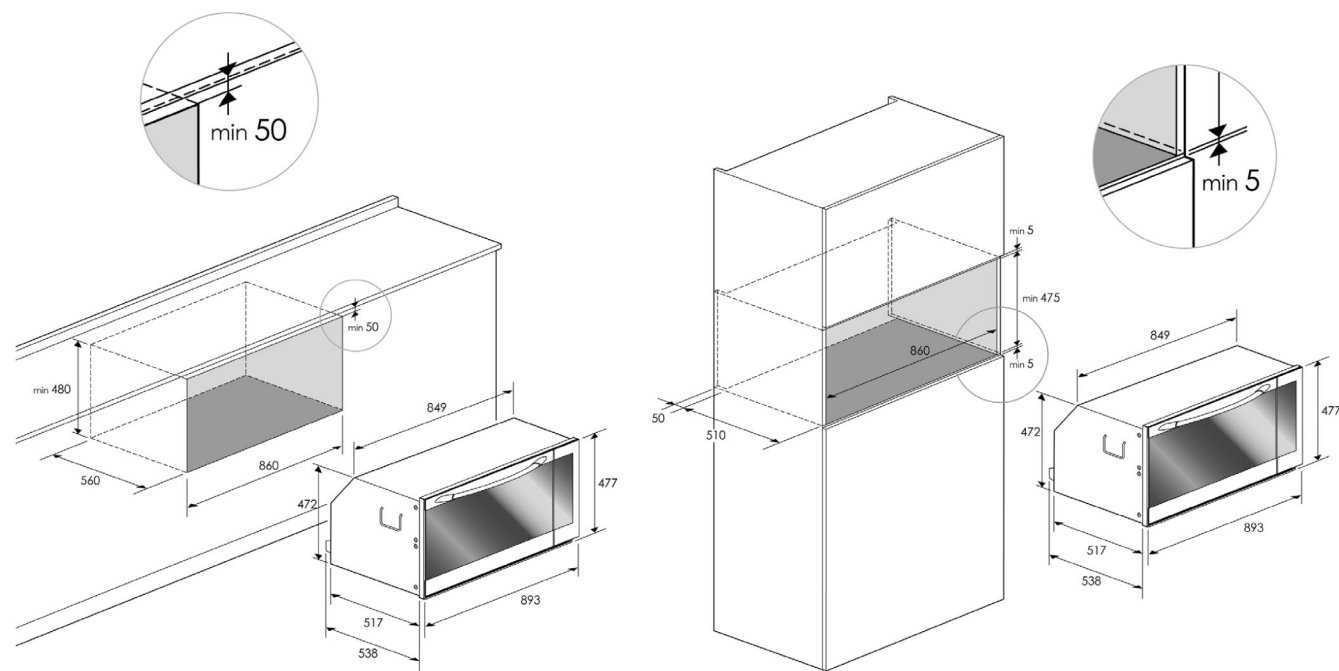
## INSTALACIÓN

Tras desembalar el horno, comprobar que no se haya dañado durante el transporte y que la puerta cierre correctamente.

Si surgen problemas, póngase en contacto con su proveedor o con el Servicio de Asistencia más cercano. Para evitar daños, retire el horno de la base de poliestireno en el momento de la instalación.

## PREPARACIÓN DEL MUEBLE PARA EL EMPOTRADO

- Los muebles de cocina en contacto con el horno deben ser resistentes al calor (al menos 90°C).
- Corte los muebles antes de colocar el horno en su alojamiento y quite con cuidado todas las virutas de madera y el serrín.
- Después de la instalación, el fondo del horno no debe ser accesible.
- Para que el aparato funcione bien, deje el espacio mínimo entre la encimera y el extremo superior del horno.

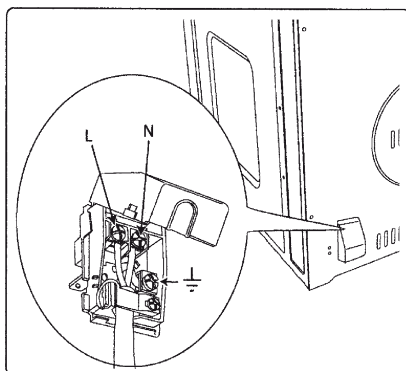


## **CONEXIÓN ELÉCTRICA**

Asegurarse de que el voltaje indicado en la placa de datos del aparato coincida con la tensión de la red. La placa de datos se encuentra en el borde frontal del horno (visible con la puerta del horno abierta).

- La sustitución del cable de alimentación (tipo H05 RR-F 3 x 1,5 mm<sup>2</sup>) debe llevarla a cabo un electricista profesional. Ponerse en contacto con un centro de asistencia técnica autorizado.

| <b>TIPOS DE CABLES Y DIÁMETROS MÍNIMOS</b> |
|--|
| <b>H05RR-F 3x1,5 mm<sup>2</sup></b>        |
| <b>H05VV-F 3x1,5 mm<sup>2</sup></b>        |
| <b>H05RN-F 3x1,5 mm<sup>2</sup></b>        |
| <b>H05V2V2-F 3x1,5 mm<sup>2</sup></b>      |



## **RECOMENDACIONES GENERALES**

### **Antes del uso:**

- Quite las protecciones de cartón, la película protectora y las etiquetas adhesivas de los accesorios.
- Quite los accesorios del horno y caliéntelo a la temperatura MÁX durante 30 minutos para eliminar los olores y humos de los materiales aislantes y la grasa protectora.


### **Durante el uso:**

- No coloque objetos pesados sobre la puerta ya que podría estropearse.
- No se aferre a la puerta ni cuelgue nada del asa.
- No recubra el interior del horno con papel de aluminio.
- No verter agua dentro del horno caliente ya que podría dañar el revestimiento esmaltado.
- No arrastrar ollas ni cazuelas sobre la base del horno, ya que podrían dañar el revestimiento esmaltado.
- Asegúrese de que los cables eléctricos de otros aparatos no toquen las piezas calientes del horno y que no los pille la puerta.
- No exponga el horno a los agentes atmosféricos.




## PROTECCIÓN MEDIOAMBIENTAL

### **Eliminación del embalaje**

El material de embalaje es 100% reciclable y está marcado con el símbolo de reciclaje . Por lo tanto, las diferentes partes del embalaje deberán ser eliminadas de forma responsable y respetando las normas locales sobre la eliminación de desechos.

### **Eliminación del producto**

- Este electrodoméstico está marcado con arreglo a la directriz europea 2002/96/EC sobre la Eliminación de Equipos Eléctricos y Electrónicos (WEEE).
- Al garantizar la correcta eliminación de este producto, ayudará a evitar posibles consecuencias negativas para el medio ambiente y la salud humana, que podrían ser el resultado de una eliminación inadecuada del producto.
- El símbolo  que incluye el aparato o la documentación que lo acompaña indica que éste no puede tratarse como un desecho doméstico, sino que debe entregarse en un punto de recogida para el reciclado de aparatos eléctricos y electrónicos.

### **Ahorro de energía**

- Precaliente el horno sólo si esto se especifica en la tabla de tiempos de cocción o en la receta.
- Utilice fuentes de horno lacadas o esmaltadas oscuras, ya que absorben mejor el calor.

## DECLARACIÓN DE CONFORMIDAD

- Este horno está preparado para entrar en contacto con alimentos, es conforme con la normativa europea (CE) n.1935/2004 y se ha diseñado, fabricado y comercializado de conformidad con las normas de seguridad de la Directiva sobre "Bajo Voltaje" 2006/95/CE (que sustituye a 73/23/CEE y siguientes enmiendas), los requisitos de protección de la directiva "CEM" 2004/108/CE.

## GUÍA PARA SOLUCIONAR PROBLEMAS

### **El horno no funciona:**

- Controle que haya corriente eléctrica en la red y que el horno esté enchufado.
- Apague el horno y vuelva a encenderlo para comprobar si se ha solucionado el problema.
- Compruebe que el programador mecánico esté ajustado en el tiempo de cocción o la función manual.

**Este producto contiene una fuente de luz de clase de eficiencia energética G.**



## SERVICIO DE ASISTENCIA TÉCNICA

### **Antes de llamar al Servicio de Asistencia:**

1. Intente resolver el problema, para ello consulte las recomendaciones que se ofrecen en la "Guía de solución de problemas".
2. Apague el horno y vuelva a encenderlo para comprobar si se ha solucionado el problema.

**Si el fallo persiste después de estas comprobaciones, contacte con el Servicio de asistencia técnica más cercano.**

Indique lo siguiente:

- una breve descripción del fallo;
- el tipo y modelo exacto de horno;
- el número de servicio (número que aparece después de la palabra "Service" en la placa de datos), que se encuentra en el borde derecho del interior del horno (visible con la puerta del horno abierta). El número de servicio también se indica en el libro de garantía;
- su dirección completa;
- su número de teléfono.

**SERVICE** 0000 000 00000



Si hay que hacer reparaciones, póngase en contacto con un **Servicio de Asistencia autorizado** (para asegurarse de que se utilicen piezas sueltas originales y las reparaciones se realicen correctamente).

## LIMPIEZA



### **ADVERTENCIA**

- No utilice limpiadores a vapor.
- Limpie el horno sólo cuando esté frío al tacto.
- Desconecte el aparato del suministro eléctrico.

### **Exterior del horno**

**IMPORTANTE: No utilice detergentes corrosivos o abrasivos. Si alguno de estos productos entra en contacto con el aparato, límpielo inmediatamente con un trapo húmedo.**

- Limpie las superficies con un paño húmedo. Si están muy sucias, añada unas pocas gotas de detergente neutro al agua. Seque con un trapo seco.

### **Interior del horno:**

**Importante: no utilice esponjas abrasivas ni estropajos metálicos. Con el tiempo, pueden deteriorar las superficies esmaltadas y el cristal de la puerta del horno.**

- Después de cada uso, deje que el horno se enfríe y, luego, límpielo, preferiblemente mientras aún esté templado, para quitar la suciedad acumulada y las manchas provocadas por los restos de comida (p. ej.: alimentos con un alto contenido en azúcar).
- Use detergentes de horno específicos y siga las instrucciones del fabricante al pie de la letra.
- Limpie el cristal de la puerta con un detergente líquido adecuado. La puerta del horno se puede extraer para facilitar la limpieza (véase MANTENIMIENTO).

**N.B: Cuando se cocinen alimentos con un alto contenido en agua (p. ej. pizza, verduras, etc.) durante un largo periodo de tiempo, se puede formar condensación en la cara interna de la puerta y alrededor de la junta. Cuando el horno se enfríe, seque el interior de la puerta con un trapo o esponja.**

### **Accesorios:**

- Sumerja los accesorios en agua con detergente para vajillas inmediatamente después de usarlos, utilizando guantes si aún están calientes.
- Los restos de comida se pueden quitar fácilmente con un cepillo o esponja.

## MANTENIMIENTO

- ⚠ ADVERTENCIA**
- Use guantes de seguridad.
  - Asegúrese de que el horno esté frío antes de realizar las siguientes operaciones.
  - Desconecte el aparato del suministro eléctrico.

### **EXTRACCIÓN DE LA PUERTA**

#### **Para extraer la puerta:**

1. Abra la puerta por completo.
2. Levante los ganchos y empújelos al máximo hacia delante (Fig. 1).
3. Cierre la puerta tanto como pueda (A), levántela (B) y gírela (C) hasta que se suelte (D) (Fig. 2).

#### **Para montar la puerta:**

1. Introduzca las bisagras en sus posiciones.
2. Abra la puerta por completo.
3. Baje los dos pestillos.
4. Cierre la puerta.

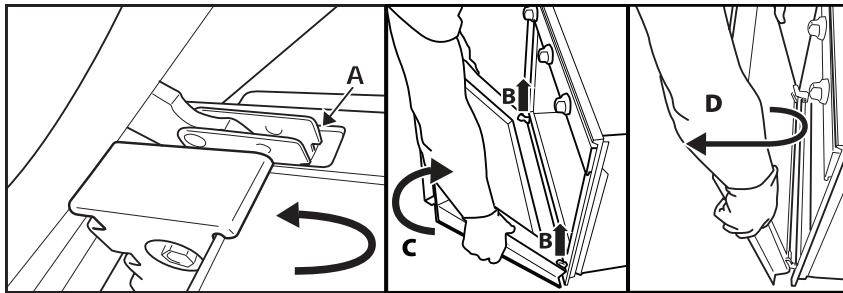


Fig. 1

Fig. 2

### **Quitar las rejillas laterales**

Empujar las rejillas hacia abajo y levántelas tal y como se indica en la fig. 3.

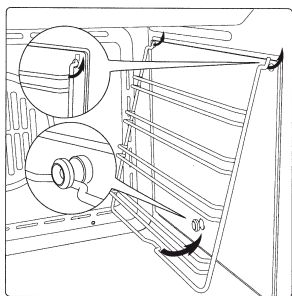


Fig. 3

## **CAMBIO DE LA BOMBILLA DEL HORNO**

### **Cambiar las dos bombillas traseras (fig. 4):**

- Desconecte el horno de la red eléctrica.
- Suelte la tapa de la bombilla (Fig. 5), cambie la bombilla (véase la nota sobre el tipo de bombilla) y vuelva a colocar la tapa de la bombilla.
- Vuelva a conectar el horno a la red eléctrica.

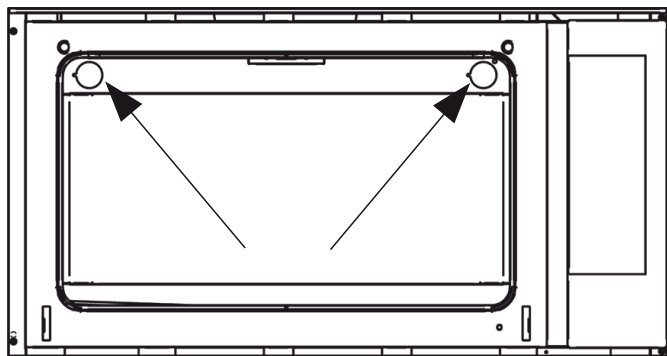


Fig. 4

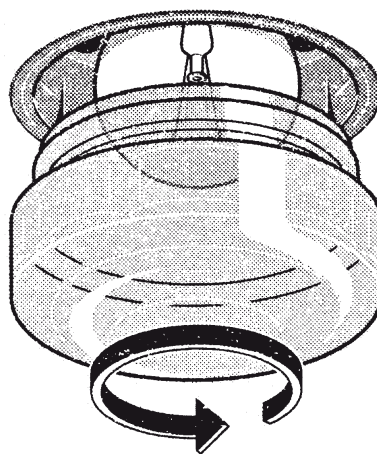


Fig. 5

### **N.B.:**

- Use sólo lámparas incandescentes de 25W / 230V E14, T300°C
- La lámpara utilizada en el aparato ha sido diseñada específicamente para aparatos eléctricos y no es adecuada para iluminar habitaciones de hogares (Reglamento (EC) No 244/2009 de la Comisión).
- Las bombillas están disponibles en nuestro Servicio de Asistencia.


# INSTRUÇÕES DE UTILIZAÇÃO

|   | <b>Página</b> |
|---|---------------|
| <b>INSTRUÇÕES DE SEGURANÇA IMPORTANTES</b>    | <b>42</b>     |
| <b>INSTALAÇÃO</b>                             | <b>44</b>     |
| <b>CONSELHOS PARA A PROTECÇÃO DO AMBIENTE</b> | <b>46</b>     |
| <b>DECLARAÇÃO DE CONFORMIDADE</b>             | <b>46</b>     |
| <b>GUIA PARA RESOLUÇÃO DE PROBLEMAS</b>       | <b>46</b>     |
| <b>SERVIÇO DE ASSISTÊNCIA TÉCNICA</b>         | <b>47</b>     |
| <b>LIMPEZA</b>                                | <b>47</b>     |
| <b>MANUTENÇÃO</b>                             | <b>48</b>     |

## INSTRUÇÕES DE SEGURANÇA IMPORTANTES

### A SUA SEGURANÇA E A DE OUTROS É MUITO IMPORTANTE

Este manual e o próprio aparelho incluem avisos de segurança importantes, os quais deverá ler e cumprir em todas as situações.

-  Este é o símbolo de perigo, relativo à segurança, o qual alerta os utilizadores para eventuais riscos para eles próprios e para os outros.  
Todos os avisos de segurança são precedidos pelo símbolo de perigo e pelos termos seguintes:

 **PERIGO**

**Indica uma situação perigosa que, caso não seja evitada, provocará uma lesão grave.**

 **ATENÇÃO**

**Indica uma situação perigosa que, caso não seja evitada, poderá provocar uma lesão grave.**

Todos os avisos de segurança fornecem detalhes específicos do eventual risco presente e indicam a forma de reduzir esse risco de lesões, danos ou choques eléctricos resultantes do uso incorrecto do aparelho. Cumpra cuidadosamente as instruções seguintes:

- Utilize luvas de protecção para executar todas as operações de desembalagem e de instalação.
- Este aparelho tem um peso excessivo; o seu levantamento e manuseamento deve ser feito com a intervenção de duas ou mais pessoas com o objectivo de evitar quaisquer riscos ou lesões.
- Desligue o aparelho da rede eléctrica antes de efectuar qualquer intervenção de instalação.
- A instalação e a manutenção devem ser efectuadas por um técnico qualificado, em conformidade com as instruções do fabricante e com as normas de segurança locais. Não repare nem substitua nenhuma peça do aparelho a não ser que especificamente indicado no manual de utilização.
- A substituição do cabo eléctrico deve ser efectuada por um electricista qualificado. Contacte um centro de assistência técnica autorizado.
- A ligação à terra do aparelho é obrigatória segundo a lei em vigor.
- O cabo de alimentação deverá ter um comprimento suficiente para permitir a ligação do aparelho, encastrado no móvel, à tomada de corrente eléctrica.
- Para que a instalação esteja em conformidade com as normas de segurança actuais, deverá utilizar um disjuntor multipolar com uma distância mínima entre contactos de 3 mm.
- Se o forno incluir uma ficha, não utilize adaptadores de fichas múltiplas.
- Não utilize extensões.
- Não puxe pelo cabo eléctrico.
- Após a instalação do aparelho, os componentes eléctricos devem estar inacessíveis ao utilizador.
- Evite tocar na placa de fogão com partes do corpo húmidas, bem como utilizá-la descalço.
- Este aparelho destina-se exclusivamente ao uso doméstico de cozedura de alimentos. Estão proibidos outros tipos de utilização (por ex.: aquecimento de divisões). O Fabricante declina toda e qualquer responsabilidade por uma utilização inadequada ou por uma regulação errada dos comandos.

- O aparelho e os componentes acessíveis ficam quentes durante o funcionamento. Seja cuidadoso e evite tocar nos elementos de aquecimento. Mantenha bebés (0-3 anos) e crianças pequenas (3-8 anos) afastados do forno, a menos que estejam sob supervisão permanente.
- Este forno só pode ser utilizado por crianças com mais de 8 anos e por pessoas com capacidades físicas, sensoriais ou mentais reduzidas ou com falta de experiência e de conhecimentos se estiverem a ser supervisionados ou se receberem instruções relativas à utilização segura do aparelho e compreenderem todos os perigos envolvidos. As crianças não devem brincar com o aparelho. Os procedimentos de limpeza e de manutenção por parte do utilizador não devem ser feitos por crianças sem supervisão.
- Durante e após a utilização, não toque nas resistências ou nas superfícies internas do aparelho - risco de queimaduras. Não permita que o aparelho entre em contacto com panos ou outros materiais inflamáveis até que todos os componentes tenham arrefecido na totalidade.
- No final da cozedura, tome todas as medidas de precaução quando abrir a porta do aparelho, deixando sair gradualmente o ar quente ou o vapor antes de aceder ao forno. Quando a porta do aparelho está fechada, o ar quente é ventilado através da abertura situada por cima do painel de controlo. Não obstrua as aberturas de ventilação.
- Utilize luvas adequadas para fornos para retirar painelas e acessórios, tendo o cuidado de não tocar nas resistências.
- Não colocar materiais inflamáveis no interior ou próximos ao aparelho: perigo de incêndio, caso o aparelho seja inadvertidamente ligado.
- Não aqueça nem cozinhe no forno alimentos em frascos ou recipientes fechados. A pressão acumulada no interior poderá fazer explodir o frasco e danificar o forno.
- Não utilize recipientes feitos de materiais sintéticos.
- Os óleos e a gordura sobreaquecidos poderão provocar facilmente um incêndio. Esteja sempre atento quando cozinhar alimentos ricos em gordura e em óleo.
- Nunca deixe o aparelho sem vigilância durante a secagem de alimentos.
- Se utilizar bebidas alcoólicas para cozinhar alimentos (por exemplo, rum, conhaque, vinho), lembre-se que o álcool evapora a temperaturas elevadas. Em virtude disso, poderá ocorrer o risco de os vapores libertados pelo álcool se incendiarem ao entrarem em contacto com a resistência eléctrica.
- Nunca utilize equipamentos de limpeza a vapor.
- Não toque no forno durante o ciclo de limpeza pirolítica. Mantenha as crianças afastadas do forno durante o ciclo de limpeza pirolítica (apenas nos fornos com a função de limpeza pirolítica).
- Utilize apenas a sonda de temperatura recomendada para este forno.
- Não utilize produtos de limpeza fortes e abrasivos ou raspadores metálicos para limpar o vidro da porta do forno pois poderão riscar a respectiva superfície e provocar a quebra do vidro.
- Antes de substituir a lâmpada, certifique-se de que o aparelho está desligado para evitar a ocorrência de choques eléctricos.





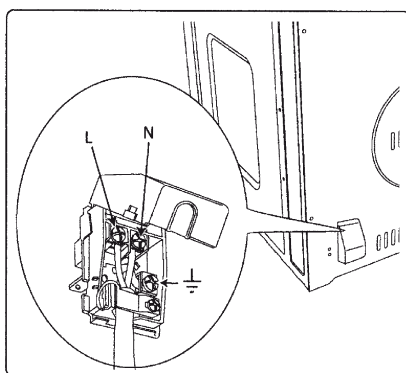


## **LIGAÇÃO ELÉCTRICA**

Verifique se a tensão eléctrica especificada na chapa de características do aparelho corresponde à tensão da rede eléctrica. A chapa de características está situada na extremidade frontal do forno (visível com a porta aberta).

- A substituição do cabo eléctrico (tipo H05 RR-F 3 x 1,5 mm<sup>2</sup>) deve ser efectuada por um técnico qualificado. Contacte um centro de assistência técnica autorizado.

| <b>TIPOS DE CABO E DIÂMETROS MÍNIMOS</b> |
|--|
| <b>H05RR-F 3 x 1,5 mm<sup>2</sup></b>    |
| <b>H05VV-F 3 x 1,5 mm<sup>2</sup></b>    |
| <b>H05RN-F 3 x 1,5 mm<sup>2</sup></b>    |
| <b>H05V2V2-F 3 x 1,5 mm<sup>2</sup></b>  |



## **RECOMENDAÇÕES GERAIS**

### **Antes de utilizar:**

- Retire as protecções de cartão, a película de protecção e as etiquetas adesivas dos acessórios.
- Retire os acessórios do forno e aqueça-o à temperatura MÁX. durante 30 minutos para eliminar os odores e os vapores provenientes dos materiais de isolamento e da massa lubrificante de protecção.

### **Durante a utilização:**

- Não coloque objectos pesados na porta, uma vez que poderão danificá-la.
- Não se pendure na porta nem coloque objectos pendurados na pega.
- Não tape o interior do forno com papel de alumínio.
- Não despeje água no interior de um forno quente, uma vez que poderá danificar o revestimento de esmalte.
- Nunca arraste panelas e tachos pelo fundo do forno pois poderá danificar o revestimento de esmalte.
- Certifique-se de que os cabos eléctricos de outros aparelhos não entram em contacto com as partes quentes do forno nem ficam presos na porta.
- Evite a exposição do forno aos agentes atmosféricos.


## CONSELHOS PARA A PROTECÇÃO DO AMBIENTE

### **Eliminação dos materiais da embalagem**

O material da embalagem é 100% reciclável, conforme indicado pelo símbolo de reciclagem .

As várias partes da embalagem não devem ser abandonadas no meio ambiente, mas sim desmanteladas em conformidade com as normas estabelecidas pelas autoridades locais.

### **Eliminação do produto**

- Este aparelho está classificado de acordo com a Directiva Europeia 2002/96/CE, sobre Resíduos de equipamento eléctrico e electrónico (REEE).
- Ao garantir uma eliminação correcta do produto, evitará possíveis consequências negativas para o meio ambiente e para a saúde pública, que poderiam resultar de um tratamento inadequado dos resíduos deste produto.
- O símbolo  no produto, ou nos documentos que acompanham o produto, indica que este aparelho não deve ser tratado como desperdício doméstico e deve ser transportado para um centro de recolha adequado para proceder à reciclagem do equipamento eléctrico e electrónico.

### **Poupança de energia**

- Aqueça previamente o forno apenas se tal procedimento estiver especificado na tabela de cozedura ou na receita.
- Utilize formas para o forno lacadas de preto ou esmaltadas porque absorvem melhor o calor.

## DECLARAÇÃO DE CONFORMIDADE (CE)

- Este forno, que se destina a entrar em contacto com produtos alimentares, está em conformidade com a norma (CE) n.º 1935/2004 e foi concebido, fabricado e comercializado em conformidade com os requisitos de segurança da directiva de "Baixa tensão" 2006/95/CE (a qual substitui a directiva 73/23/CEE e subsequentes emendas) e os requisitos de protecção da directiva "EMC" 2004/108/CE.

## GUIA PARA RESOLUÇÃO DE PROBLEMAS

### **O forno não funciona:**

- Verifique se há energia eléctrica e se o forno está ligado electricamente.
- Desligue e volte a ligar o forno, para verificar se o inconveniente ficou resolvido.
- Verifique se o programador mecânico foi programado para o tempo de cozedura ou para o funcionamento manual.

**Este produto contém uma fonte de luz de classe de eficiência energética G.**

## SERVIÇO DE ASSISTÊNCIA TÉCNICA

### **Antes de contactar o Serviço de Assistência Técnica:**

1. Tente solucionar o problema sozinho com a ajuda das sugestões fornecidas na secção "Guia para resolução de problemas".
2. Desligue e volte a ligar o aparelho para verificar se a anomalia ficou resolvida.

**Se o problema persistir após essas verificações, contacte o Serviço de Assistência Técnica mais próximo.**

Indique sempre:

- Uma breve descrição do tipo de problema encontrado;
- o tipo e o modelo exacto do forno;
- o numero de Assistência (é o numero que se encontra após a palavra Service na chapa das características), na margem interna direita da cavidade do forno (visível com a porta aberta). O número de serviço também está indicado no boletim da garantia;
- o seu endereço completo;
- o seu número de telefone.

**SERVICE** 0000 000 00000



Se for necessário efectuar alguma reparação, contacte um **Serviço de Assistência Técnica autorizado** (para garantir a utilização de peças sobresselentes originais e uma reparação correcta).

## LIMPEZA



### **ATENÇÃO**

- Não utilize produtos de limpeza a vapor.
- Limpe o forno apenas quando estiver frio ao toque.
- Desligue o aparelho da corrente eléctrica.

### **Exterior do forno**

**IMPORTANTE: Não utilize detergentes corrosivos ou abrasivos. Se algum desses produtos entrar em contacto accidental com o aparelho, limpe-o imediatamente com um pano húmido.**

- Limpe as superfícies com um pano húmido. Se estiver muito sujo, acrescente alguns pingos de detergente neutro à água. Seque com um pano seco.

### **Interior do forno:**

**Importante: não utilize esponjas abrasivas, raspadores ou esfregões metálicos. Com o decorrer do tempo, estes poderão danificar as superfícies esmaltadas e o vidro da porta do forno.**

- Após cada utilização, deixe o forno arrefecer e depois limpe-o, de preferência ainda morno, para remover a sujidade acumulada e os resíduos de alimentos (por ex., alimentos com um elevado teor de açúcar).
- Utilize detergentes específicos para forno e siga rigorosamente as instruções do fabricante.
- Limpe o vidro da porta com um detergente líquido adequado. A porta do forno pode ser removida para facilitar a limpeza (consulte a secção MANUTENÇÃO).

**NOTA: durante a cozedura prolongada de alimentos com um elevado teor de água (por ex. pizza, legumes, etc.) poderá ocorrer condensação no interior da porta e em redor da vedação. Com o forno frio, seque com um pano ou uma esponja.**

### **Acessórios:**

- Coloque os acessórios em água com detergente para loiça imediatamente após a respectiva utilização, pegando neles com luvas adequadas para fornos, caso estejam quentes.
- Os restos de alimentos podem ser retirados com uma escova adequada ou com uma esponja.

## MANUTENÇÃO



### ATENÇÃO

- Utilize luvas de protecção.
- Certifique-se de que o forno está frio antes de realizar as operações seguintes.
- Desligue o aparelho da corrente eléctrica.

### REMOÇÃO DA PORTA

#### Para remover a porta:

1. Abra a porta na totalidade.
2. Levante os dois trincos e empurre-os o mais possível (Fig. 1).
3. Feche a porta o mais possível (A), levante a porta (B) e rode-a (C) até ficar solta (D) (Fig. 2).

#### Para reinstalar a porta:

1. Insira as dobradiças nos respectivos suportes.
2. Abra a porta na totalidade.
3. Baixe os dois travões.
4. Feche a porta.

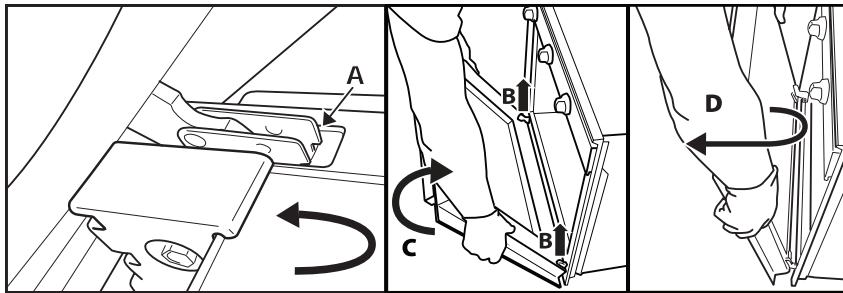


Fig. 1

Fig. 2

### Remoção das grelhas laterais

Pressione as grelhas para baixo e levante-as, tal como mostrado na Fig. 3.

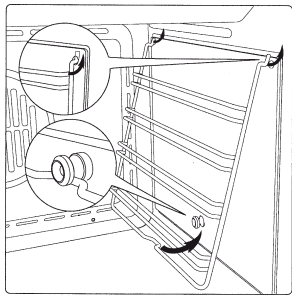


Fig. 3

## **SUBSTITUIÇÃO DA LÂMPADA DO FORNO**

### **Para substituir as duas lâmpadas traseiras (Fig. 4):**

- Desligue o forno da corrente eléctrica.
- Desaperte a cobertura da lâmpada (Fig. 5), substitua a lâmpada (consulte a nota para ver o tipo de lâmpada) e aparafuse novamente a cobertura da lâmpada.
- Ligue o forno novamente à corrente eléctrica.

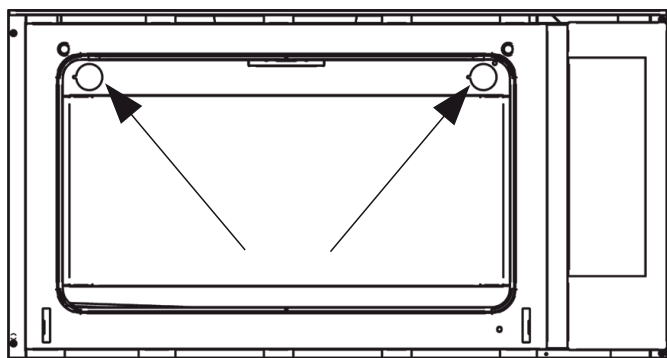


Fig. 4

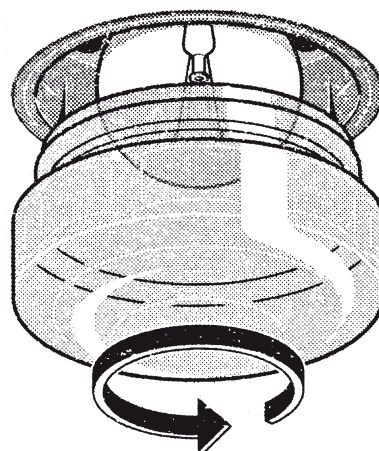


Fig. 5

### **NOTA:**

- Utilize apenas lâmpadas incandescentes de 25W/230V tipo E14, T300°C.
- A lâmpada utilizada no aparelho foi especificamente concebida para aparelhos eléctricos e não é adequada para ser utilizada na iluminação de compartimentos (Regulamento da comissão (CE) Nº 244/2009).
- As lâmpadas estão disponíveis no nosso Serviço de Assistência Técnica.


# INSTRUKCJE UŻYTKOWANIA

|  | <b>Strona</b> |
|--|---------------|
| <b>WAŻNE INSTRUKCJE BEZPIECZEŃSTWA</b>     | <b>51</b>     |
| <b>INSTALACJA</b>                          | <b>54</b>     |
| <b>PORADY DOTYCZĄCE OCHRONY ŚRODOWISKA</b> | <b>56</b>     |
| <b>DEKLARACJA ZGODNOŚCI</b>                | <b>56</b>     |
| <b>INSTRUKCJA WYSZUKIWANIA USTEREK</b>     | <b>56</b>     |
| <b>SERWIS TECHNICZNY</b>                   | <b>57</b>     |
| <b>CZYSZCZENIE</b>                         | <b>57</b>     |
| <b>KONSERWACJA</b>                         | <b>58</b>     |

# WAŻNE INSTRUKCJE BEZPIECZEŃSTWA

## BEZPIECZEŃSTWO TWOJE I INNYCH JEST BARDZO WAŻNE

Niniejsza instrukcja zawiera ważne informacje dotyczące bezpieczeństwa, z którymi należy się zapoznać i których należy ściśle przestrzegać.

-  Ten symbol informuje o potencjalnym ryzyku dla bezpieczeństwa użytkownika i osób trzecich. Wszystkie ostrzeżenia dotyczące bezpieczeństwa będą poprzedzone tym symbolem oraz następującymi oznaczeniami:

### NIEBEZPIECZEŃSTWO

Oznacza niebezpieczną sytuację, której ewentualne zaistnienie prowadzi do poważnych obrażeń.

### OSTRZEŻENIE

Oznacza niebezpieczną sytuację, której ewentualne zaistnienie mogłoby prowadzić do poważnych obrażeń.

Wszystkie komunikaty dotyczące bezpieczeństwa określają rodzaj potencjalnego ryzyka oraz informują, w jaki sposób zmniejszyć ryzyko urazów, szkód oraz porażenia prądem wskutek nieprawidłowej obsługi urządzenia. Należy ściśle przestrzegać poniższych instrukcji:

- Przed rozpakowaniem i montażem urządzenia należy założyć rękawice ochronne.
- Urządzenie jest ciężkie. Do jego przenoszenia potrzeba współpracy co najmniej dwóch osób, aby zapobiec ewentualnym zagrożeniom i niedogodnościom.
- Przed przystąpieniem do jakichkolwiek czynności instalacyjnych urządzenie należy odłączyć od zasilania elektrycznego.
- Instalacja lub konserwacja powinna zostać przeprowadzona przez technika specjalistę zgodnie z instrukcjami producenta oraz obowiązującymi miejscowymi przepisami dotyczącymi bezpieczeństwa. Nie naprawiać i nie wymieniać żadnej części urządzenia, jeśli nie jest to konkretnie zalecane w instrukcji obsługi.
- Ewentualnej wymiany przewodu zasilającego może dokonać wyłącznie wykwalifikowany elektryk. Należy zwrócić się do autoryzowanego serwisu.
- Zgodnie z przepisami urządzenie należy uziemić.
- Przewód zasilający powinien mieć wystarczającą długość, aby umożliwić podłączenie zabudowanego urządzenia do sieci zasilania.
- Aby spełnić wymagania odpowiednich przepisów BHP, w czasie instalacji należy użyć rozłącznika wszystkich biegunów zasilania o minimalnym odstępem między stykami wynoszącym 3 mm.
- Nie wolno używać adapterów do gniazd zasilania, jeśli piekarnik jest podłączony za pomocą wtyku.
- Nie stosować przedłużaczy.
- Nie wolno ciągnąć za kabel zasilania.
- Po zakończeniu instalacji użytkownik nie powinien mieć dostępu do podzespołów elektrycznych urządzenia.
- Należy unikać dotykania urządzenia wilgotnymi częściami ciała i nie wolno obsługiwać go bosą.

- Urządzenie jest przeznaczone wyłącznie do użytku domowego do przygotowywania żywności. Wszelkie inne zastosowania (np. do ogrzewania pomieszczeń) są zakazane. Producent nie ponosi żadnej odpowiedzialności za uszkodzenia i straty spowodowane niewłaściwym użyciem lub nieprawidłową konfiguracją ustawień.
- Urządzenie oraz jego dostępne elementy nagrzewają się podczas pracy do wysokiej temperatury. Należy zachować ostrożność i nie dotykać elementów grzejnych. Dzieci bardzo małe (0–3 lata) i małe (3–8 lat) nie mogą mieć dostępu do piekarnika bez stałego nadzoru.
- Dzieci w wieku powyżej 8 lat oraz osoby o ograniczonych możliwościach fizycznych, sensorycznych lub psychicznych albo nieposiadające odpowiedniego doświadczenia i wiedzy mogą używać urządzenia tylko pod nadzorem lub po otrzymaniu odpowiednich instrukcji dotyczących bezpiecznego użytkowania urządzenia, jeśli rozumieją zagrożenia, jakie wiążą się z tym użytkowaniem. Nie należy pozwolić, aby dzieci bawiły się urządzeniem. Czyszczenie i konserwacja wykonywana przez dzieci jest dopuszczalna tylko pod nadzorem.
- Podczas pracy urządzenia i po jej zakończeniu nie wolno dotykać grzałek ani wewnętrznych powierzchni urządzenia, ponieważ można się poparzyć. Należy uważać, aby urządzenie nie miało kontaktu ze ściereczkami lub innymi łatwopalnymi materiałami, dopóki wszystkie komponenty urządzenia całkowicie nie wystygną.
- Po zakończeniu pieczenia ostrożnie otworzyć drzwi urządzenia i pozwolić na stopniowe wyjście gorącego powietrza oraz pary z wnętrza komory. Gdy drzwi urządzenia są zamknięte, gorące powietrze wychodzi na zewnątrz przez otwór nad panelem sterowania. Nie wolno blokować otworów wentylacyjnych.
- Do wyjmowania naczyń i akcesoriów z gorącego urządzenia należy używać odpowiednich rękawiczek. Uważać, aby nie dotykać gorących elementów.
- Nie wkładać łatwopalnych materiałów do urządzenia i nie przechowywać ich w jego pobliżu: w razie przypadkowego uruchomienia urządzenia może dojść do pożaru.
- Nie podgrzewać ani piec w urządzeniu potraw w szczelnie zamkniętych pojemnikach. Ciśnienie, jakie wytworzy się wewnątrz, może spowodować eksplozję pojemnika i uszkodzenie urządzenia.
- Nie używać pojemników plastikowych.
- Przegrzane tłuszcze i oleje mogą się łatwo zapalić. Zawsze nadzorować pieczenie potraw z dużą ilością tłuszczu lub oleju.
- Nigdy nie pozostawiać urządzenia bez nadzoru podczas jego pracy.
- Jeżeli do potraw dodawane są napoje alkoholowe (np. rum, koniak, wino, itp.), należy pamiętać, że alkohole wyparowują w wysokiej temperaturze. W konsekwencji istnieje ryzyko, że opary alkoholu zapalą się w kontakcie z



grzałką elektryczną.

- Nie wolno stosować urządzeń czyszczących parą.
- Nie dotykać piekarnika podczas cyklu pirolizy. Nie należy dopuszczać do urządzenia dzieci podczas cyklu pirolizy (tylko piekarniki z funkcją pirolizy).
- Należy korzystać wyłącznie z zalecanych próbników temperatury.
- Do czyszczenia szyby w drzwiach piekarnika nie należy stosować szorstkich środków czyszczących ani skrobaków — mogą one spowodować zarysowania powierzchni, które mogą z kolei doprowadzić do pęknięcia szyby.
- Należy się upewnić, że urządzenie jest wyłączone przed wymianą lampy, aby uniknąć porażenia prądem.

## Utylizacja urządzeń AGD

- Urządzenie zostało wykonane z materiałów nadających się do recyklingu. Urządzenie należy utylizować zgodnie z lokalnymi przepisami dotyczącymi gospodarki odpadami. Przed złomowaniem należy odciąć przewody zasilające, aby zapewnić, że sprzęt jest niezdatny do użytku.
- Aby uzyskać więcej informacji na temat utylizacji, odzyskiwania oraz recyklingu urządzeń AGD, należy skontaktować się z odpowiednim lokalnym urzędem gminy, punktem skupu złomu lub sklepem, w którym zakupiono urządzenie.

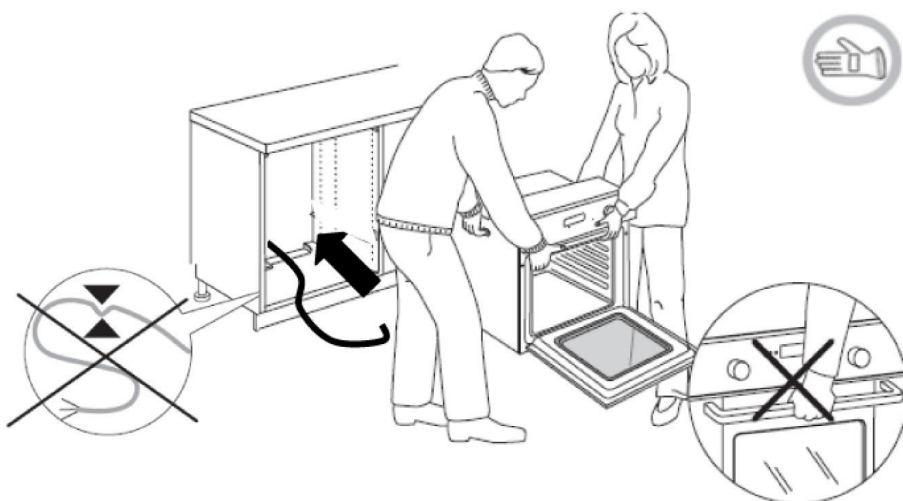
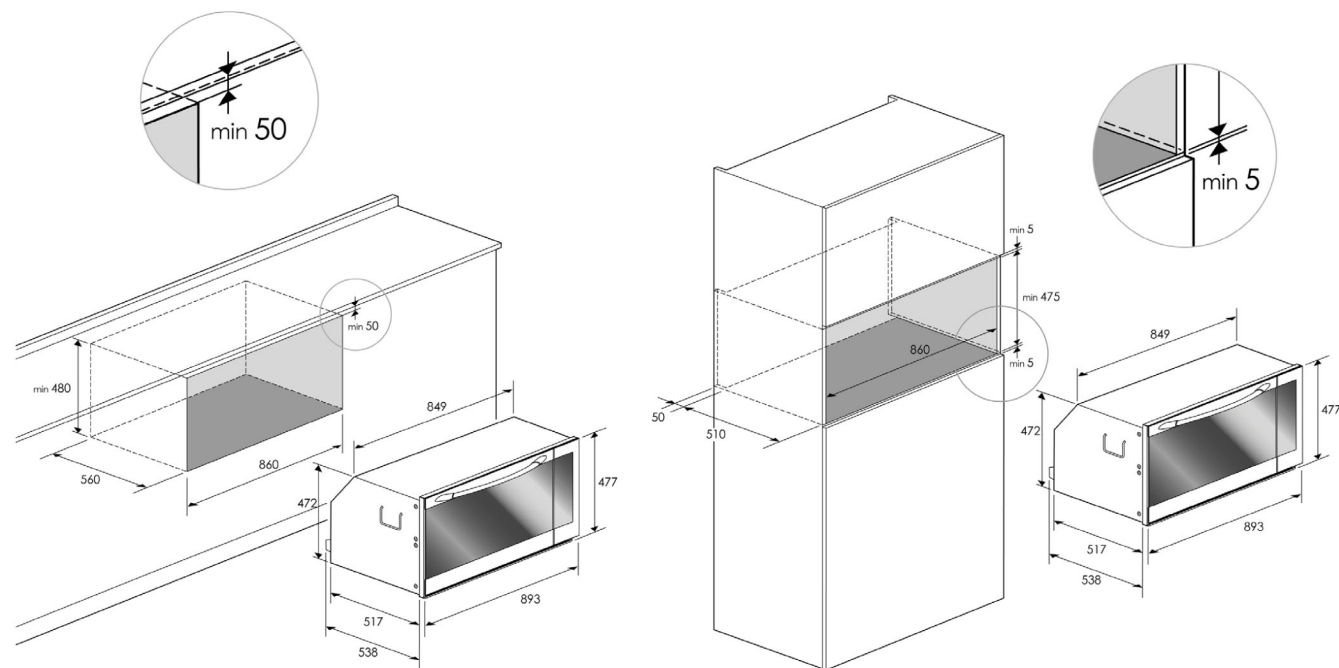
## INSTALACJA

Po rozpakowaniu piekarnika należy sprawdzić, czy nie został on uszkodzony w czasie transportu oraz czy drzwiczki zamykają się prawidłowo.

W razie problemów należy skontaktować się ze sprzedawcą lub najbliższym serwisem technicznym. Aby zapobiec ewentualnym uszkodzeniom, zaleca się, aby piekarnik został wyjęty z podstawy ze styropianu dopiero tuż przez instalacją.

## PRZYGOTOWANIE MEBLA DO ZABUDOWY

- Meble kuchenne mające bezpośrednią styczność z piekarnikiem muszą być odporne na działanie wysokiej temperatury (min. 90°C).
- Mebel należy przyciąć przed włożeniem piekarnika i dokładnie usunąć trociny i wióry.
- Po zainstalowaniu dolna część piekarnika nie powinna być już dostępna.
- Aby zagwarantować prawidłową pracę urządzenia, nie wolno blokować minimalnego otworu między blatem a górną częścią piekarnika.

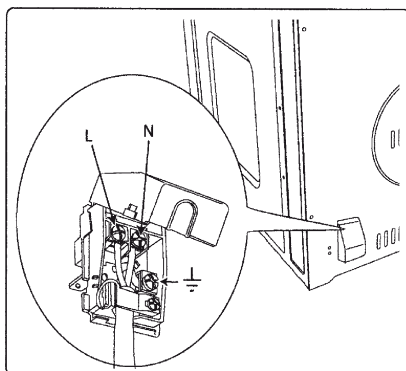


## **PODŁĄCZENIE ELEKTRYCZNE**

Sprawdzić, czy napięcie podane na tabliczce znamionowej urządzenia odpowiada napięciu w sieci. Tabliczka znamionowa znajduje się przy przedniej krawędzi piekarnika i jest widoczna przy otwartych drzwiczkach.

- Ewentualnej wymiany przewodu zasilającego (typ H05 RR-F 3 x 1,5 mm<sup>2</sup>) może dokonać wyłącznie wykwalifikowany elektryk. Należy zwrócić się do autoryzowanego serwisu.

| <b>TYPY KABLI I MINIMALNE ŚREDNICE</b>  |
|---|
| <b>H05RR-F 3 x 1,5 mm<sup>2</sup></b>   |
| <b>H05VV-F 3 x 1,5 mm<sup>2</sup></b>   |
| <b>H05RN-F 3 x 1,5 mm<sup>2</sup></b>   |
| <b>H05V2V2-F 3 x 1,5 mm<sup>2</sup></b> |



## **ZALECENIA OGÓLNE**


### **Przed pierwszym użyciem:**

- Usunąć zabezpieczenia kartonowe, folię oraz nalepki z akcesoriów.
- Wyjąć akcesoria z piekarnika i rozgrzać go do temperatury MAX na ok. 30 minut. Spowoduje to usunięcie woni materiału izolacyjnego oraz smarów ochronnych.


### **Podczas eksploatacji:**

- Nie umieszczać ciężkich przedmiotów na drzwiach, aby ich nie uszkodzić.
- Nie opierać się na drzwiach i nie wieszać żadnych przedmiotów na uchwycie.
- Nie przykrywać wnętrza piekarnika folią aluminiową.
- Nie wlewać wody do środka rozgrzanego piekarnika, ponieważ może to uszkodzić emaliowaną powierzchnię.
- Nie przeciągać form ani patelni po dnie piekarnika, ponieważ może to uszkodzić emaliowaną powierzchnię.
- Sprawdzić, czy przewody elektryczne innych urządzeń nie stykają się z gorącymi częściami piekarnika lub nie zostały przycięte przez jego drzwi.
- Nie wystawiać piekarnika na działanie warunków atmosferycznych.

### **Utylizacja materiałów z opakowania**

Materiał z opakowania w 100% nadaje się do recyklingu i jest oznaczony symbolem . Należy w odpowiedzialny sposób pozbywać się materiałów opakowaniowych, przestrzegając miejscowych przepisów dotyczących utylizacji odpadów.

### **Utylizacja urządzenia**

- Niniejsze urządzenie jest oznaczone zgodnie z Dyrektywą Europejską 2002/96/WE (WEEE) oraz polską ustawą o zużytych sprzęcie elektrycznym i elektronicznym.
- Zapewniając prawidłowe złomowanie niniejszego urządzenia, przyczynią się Państwo do ograniczenia ryzyka wystąpienia negatywnego wpływu produktu na środowisko i zdrowie ludzi, spowodowanego nieodpowiednią utylizacją produktu.
- Symbol  na urządzeniu lub w dokumentacji do niego dołączonej oznacza, że urządzenia nie wolno traktować podobnie jak zwykłe odpady domowe. Należy oddać je do punktu zajmującego się utylizacją i recyklingiem urządzeń elektrycznych i elektronicznych.

### **Oszczędzanie energii**

- Nagrzewać urządzenie jedynie wtedy, gdy jest to zalecane w tabeli pieczenia lub w przepisie.
- Używać ciemnych lub emaliowanych na czarno form do pieczenia, gdyż znacznie lepiej wchłaniają ciepło.

## DEKLARACJA ZGODNOŚCI

- Niniejsze urządzenie jest przeznaczone do kontaktów z artykułami spożywczymi i spełnia wymagania określone w Rozporządzeniu (CE) nr 1935/2004. Zostało ono zaprojektowane, wyprodukowane i wprowadzone na rynek zgodnie z wymogami bezpieczeństwa określonymi w Dyrektywie nr 2006/95/WE w sprawie niskiego napięcia (która zastąpiła Dyrektywę nr 73/23/EWG z późniejszymi zmianami) oraz w Dyrektywie nr 2004/108/WE w sprawie kompatybilności elektromagnetycznej („EMC”).

## INSTRUKCJA WYSZUKIWANIA USTEREK

### **Piekarnik nie działa:**

- Sprawdzić, czy jest doprowadzone zasilanie oraz czy piekarnik jest prawidłowo podłączony.
- Wyłączyć piekarnik i włączyć go ponownie, aby sprawdzić, czy usterka nie ustąpiła.
- Sprawdzić, czy mechaniczny programator został ustawiony na czas pieczenia lub na działanie ręczne.

**Ten produkt zawiera źródło światła o klasie efektywności energetycznej G.**

## SERWIS TECHNICZNY

### **Przed skontaktowaniem się z serwisem technicznym:**

1. Sprawdzić, czy nie można samodzielnie rozwiązać problemu zgodnie z punktami opisanymi w „Instrukcji wyszukiwania usterek”.
2. Wyłączyć i ponownie włączyć urządzenie, aby sprawdzić, czy usterka nie ustąpiła.

**Jeśli po przeprowadzeniu powyższych testów urządzenie nadal nie działa prawidłowo, należy skontaktować się z najbliższym autoryzowanym serwisem.**

Należy podać:

- krótki opis usterki;
- dokładny typ i model piekarnika;
- numer serwisowy (to numer znajdujący się po słowie „Service” na tabliczce znamionowej), podany na prawej, wewnętrznej krawędzi komory piekarnika (widoczny przy otwartych drzwiach). Numer serwisowy jest również podany w karcie gwarancyjnej;
- dokładny adres;
- numer telefonu.

**SERVICE** 0000 000 00000



Jeśli konieczna będzie naprawa, należy zwrócić się do **autoryzowanego centrum serwisowego** (co jest gwarancją użycia oryginalnych części zamiennych oraz właściwej naprawy).

## CZYSZCZENIE



### **OSTRZEŻENIE**

- Nie stosować urządzeń czyszczących parą!
- Czyszczenie piekarnika przeprowadzać jedynie wtedy, gdy urządzenie jest zimne.
- Odłączyć urządzenie od zasilania.

### **Zewnętrzna część piekarnika**

**WAŻNE: Nie stosować detergentów wywołujących korozję ani środków ściernych. Jeśli taki produkt przypadkowo wszedł w kontakt z urządzeniem, należy natychmiast wytrzeć go wilgotną ściereczką.**

- Powierzchnie czyścić wilgotną ściereczką. Jeśli są bardzo zabrudzone, dodać do wody kilka kropel obojętnego detergentu. Wytrzeć do sucha ściereczką.

### **Wnętrze piekarnika:**

**Ważne: Nie stosować gąbek ściernych, metalowych myjek ani skrobaków. Jeśli będą stosowane, mogą z czasem uszkodzić emaliowane powierzchnie oraz szybę w drzwiach.**

- Po każdym użyciu piekarnika odczekać, aż ostygnie, a następnie wyczyścić go (najlepiej wtedy, gdy jest jeszcze ciepły), aby zapobiec powstawaniu osadów i plam z resztek jedzenia (np. potrawy o dużej zawartości cukru).
- Stosować odpowiednie środki przeznaczone do czyszczenia piekarników i przestrzegać zaleceń ich producenta.
- Do czyszczenia szyby w drzwiach piekarnika należy stosować odpowiedni detergent w płynie. Aby ułatwić czyszczenie urządzenia, można zdemontować drzwi (patrz KONSERWACJA).

**Uwaga: podczas długiego pieczenia potraw zawierających dużo wody (np. pizzy, warzyw itp.) może dojść do osadzania się skroplin na wewnętrznej stronie drzwi oraz na uszczelce. Po wystygnięciu piekarnika należy je wytrzeć ściereczką lub gąbką.**

### **Akcesoria:**

- Akcesoria po użyciu należy umyć płynem do mycia naczyń. Jeśli są jeszcze gorące, ubrać rękawice kuchenne.
- Pozostałości żywności można łatwo usunąć za pomocą specjalnej szczoteczki lub gąbką.

## KONSERWACJA



### OSTRZEŻENIE

- Używać rękawic ochronnych.
- Opisanie czynności przeprowadzać po wystygnięciu urządzenia.
- Odłączyć urządzenie od zasilania.

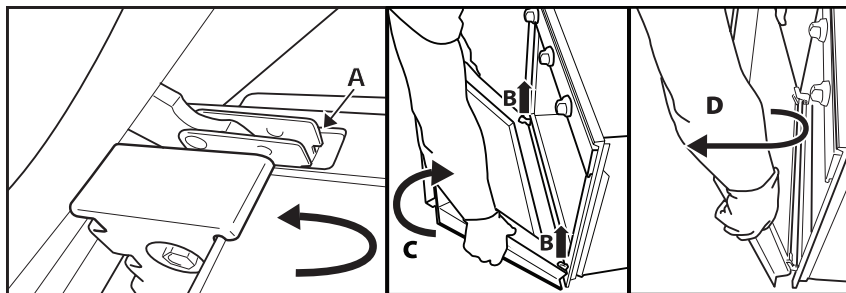
## DEMONTAŻ DRZWI

### Aby wyjąć drzwi

1. Całkowicie otworzyć drzwi.
2. Unieść do oporu dwa zaczepy blokujące zawiasy (rys. 1).
3. Zamknąć drzwi, tak aby się zablokowały (A), podnieść je (B) i obrócić (C), tak aby się zwolniły z obsady (D) (rys. 2).

### Ponowny montaż drzwiczek

1. Włożyć zawiasy w obsady.
2. Całkowicie otworzyć drzwi.
3. Opuścić zaczepy po obu stronach.
4. Zamknąć drzwi

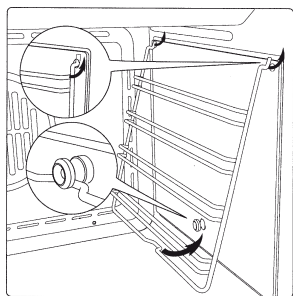


Rys. 1

Rys. 2

### Demontaż bocznych kratki

Nacisnąć i podnieść kratki w sposób przedstawiony na rys. 3.

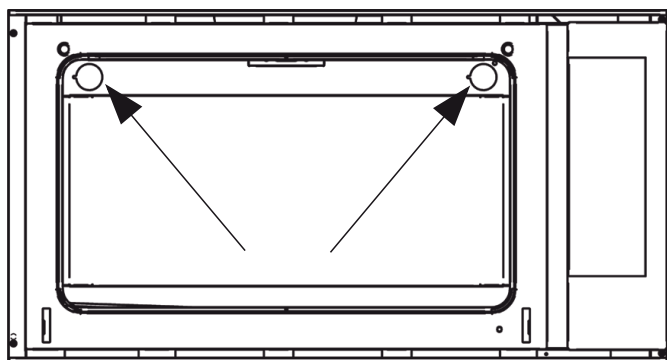


Rys. 3

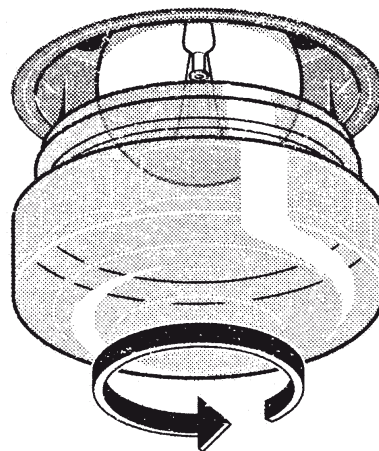
## **WYMIANA ŻARÓWKI**

### **Aby wymienić dwie tylne lampki (rys. 4):**

- Odłączyć piekarnik od zasilania elektrycznego.
- Odkręcić klosz (rys. 5), wymienić żarówkę (typ — patrz uwaga poniżej) i z powrotem przykręcić klosz.
- Podłączyć piekarnik z powrotem do zasilania elektrycznego.



Rys. 4



Rys. 5

### **UWAGA:**

- Stosować wyłącznie żarówki 25W/230V typu E14, T300°C.
- Żarówka użyta w urządzeniu została specjalnie zaprojektowana do urządzeń elektrycznych i nie nadaje się do oświetlania pomieszczeń domowych (Rozporządzenie Komisji (We) nr 244/2009).
- Żarówki można zakupić w autoryzowanym serwisie.

# NÁVOD K POUŽITÍ


|   | <b>Strana</b> |
|---|---------------|
| <b>DŮLEŽITÉ BEZPEČNOSTNÍ POKYNY</b>       | <b>61</b>     |
| <b>INSTALACE</b>                          | <b>63</b>     |
| <b>RADY K OCHRANĚ ŽIVOTNÍHO PROSTŘEDÍ</b> | <b>65</b>     |
| <b>PROHLÁŠENÍ O SHODĚ S PŘEDPISY</b>      | <b>65</b>     |
| <b>JAK ODSTRANIT PORUCHU</b>              | <b>65</b>     |
| <b>POPRODEJNÍ SERVIS</b>                  | <b>66</b>     |
| <b>ČIŠTĚNÍ</b>                            | <b>66</b>     |
| <b>ÚDRŽBA</b>                             | <b>67</b>     |



## DŮLEŽITÉ BEZPEČNOSTNÍ POKYNY

### VAŠE BEZPEČNOST I BEZPEČNOST JINÝCH OSOB JSOU VELMI DŮLEŽITÉ

V tomto návodu a na samotném spotřebiči jsou uvedena důležitá bezpečnostní upozornění, která si musíte přečíst a dodržovat je.

-  Toto je symbol nebezpečí týkající se bezpečnosti, který upozorňuje uživatele na možná nebezpečí, jež by mohla hrozit jim nebo dalším osobám.  
Před každým bezpečnostním upozorněním je symbol nebezpečí a následující slova:

#### NEBEZPEČÍ

Označuje nebezpečnou situaci, kterou je třeba odvrátit, jinak způsobí vážné poranění.

#### VAROVÁNÍ

Označuje nebezpečnou situaci, kterou je třeba odvrátit, jinak by mohlo dojít k vážnému poranění.

Všechna bezpečnostní upozornění udávají konkrétní podrobnosti o možném nebezpečí a obsahují pokyny, jak snížit nebezpečí poranění, poškození a úrazu elektrickým proudem způsobené nesprávným použitím trouby. Pečlivě dodržujte následující pokyny:

- Při vybalování a instalaci používejte ochranné rukavice.
- Tento spotřebič je velmi těžký, k jeho zvednutí a manipulaci jsou nutné minimálně dvě osoby, aby nedošlo k ohrožení nebo zranění.
- Před každou činností instalace je nutné spotřebič odpojit od elektrické sítě.
- Instalaci nebo údržbu musí provést kvalifikovaný technik podle pokynů výrobce a v souladu s platnými místními bezpečnostními předpisy. Neopravujte ani nevyměňujte žádnou část spotřebiče, pokud to není výslovně uvedeno v návodu k použití.
- Napájecí kabel smí vyměnit jen kvalifikovaný elektrikář. obraťte se na autorizované servisní středisko.
- Tento elektrospotřebič musí být podle zákona uzemněn.
- Napájecí kabel musí být dostatečně dlouhý, aby mohl spojit vestavěný spotřebič s elektrickým zdrojem.
- Spotřebič musí splňovat platné bezpečnostní předpisy a k instalaci musí být proto použit vícepólový odpojovač s minimální vzdáleností mezi kontakty 3 mm.
- Pokud je trouba vybavená zástrčkou, nepoužívejte adaptéry s více zásuvkami.
- Nepoužívejte prodlužovací kabely.
- Nikdy netahejte za napájecí kabel.
- Po skončení instalace nesmí být elektrické komponenty pro uživatele volně přístupné.
- Nedotýkejte se spotřebiče vlhkými částmi těla a nepoužívejte ho, když jste naboso.
- Tento spotřebič je určen výlučně pro pečení jídel v domácnosti. Není přípustné používat ho jiným způsobem (např. k vytápění místností). Výrobce odmítá jakoukoli odpovědnost za nevhodné použití nebo nesprávné nastavení ovladačů.
- Spotřebič a jeho přístupné části se během použití zahřejí na vysokou teplotu.

Dávejte pozor, abyste se nedotkli topných článků. Velmi malé děti (0 -3 roky) nebo malé děti (3-8) by se neměly k troubě přibližovat, pokud je neustále nesleduje dospělá osoba.

- Tento spotřebič nesmějí používat děti do 8 let a osoby se sníženými fyzickými, smyslovými nebo duševními schopnostmi, nebo bez patřičných zkušeností a znalostí, pokud je nesledují dospělí odpovědní za jejich bezpečnost, nebo jim nedávají příslušné pokyny k bezpečnému použití spotřebiče, a pokud si tyto osoby a děti neuvědomují možná nebezpečí. Děti si se spotřebičem nesmějí hrát. Děti nesmějí bez dozoru dospělých čistit spotřebič, ani provádět činnosti údržby.
- Během používání ani po něm se nedotýkejte topných článků nebo vnitřních ploch spotřebiče - hrozí nebezpečí popálení. Spotřebič nesmí přijít do styku s úterkami nebo jinými hořlavými materiály, dokud všechny díly zcela nevychladnou.
- Po upečení jídla otvírejte opatrně dveře, aby mohl postupně uniknout horký vzduch nebo horká pára. Jestliže jsou dveře zavřené, horký vzduch se odvádí ven otvorem nad ovládacím panelem. Větrací otvory proto nikdy nezakrývejte.
- Při vytahování nádob a příslušenství používejte kuchyňské chňapky a dávejte pozor, abyste se nedotkli topných článků.
- Do spotřebiče nebo do jeho blízkosti nedávejte hořlavé materiály. Při náhodném zapnutí trouby může dojít k požáru.
- V troubě neohřívejte ani nepřipravujte jídla v uzavřených skleničkách nebo nádobách. Přetlakem uvnitř nádoby by nádoba mohla explodovat a troubu poškodit.
- Nepoužívejte nádoby vyrobené ze syntetického materiálu.
- Přehřáté tuky a oleje se mohou snadno vznítit. Při pečení jídel s vysokým obsahem tuku nebo oleje troubu pečlivě sledujte.
- Při sušení potravin nikdy nenechávejte spotřebič bez dozoru.
- Používáte-li při pečení jídel alkoholické nápoje (např. rum, koňak, víno), nezapomeňte, že se alkohol při vysokých teplotách vypařuje. Hrozí nebezpečí, že by se mohly alkoholové výpary ve styku s elektrickým topným článkem vznítit.
- Spotřebič nikdy nečistěte čisticím zařízením na páru.
- Během cyklu pyrolýzy se trouby nedotýkejte. Během pyrolýzy se děti nesmějí k troubě přibližovat (pouze pro trouby s funkcí Pyrolýza).
- Používejte pouze teplotní sondu doporučenou pro tuto troubu.
- Nepoužívejte drsné čisticí prostředky nebo ostré kovové škrabky k čistění skleněných dveří trouby, mohly by poškrábat povrch, což by mohlo mít za následek rozbití skla.
- Před výměnou žárovky zkontrolujte, zda je sporák odpojený od sítě, aby nedošlo k úrazu elektrickým proudem.

## Likvidace domácích spotřebičů

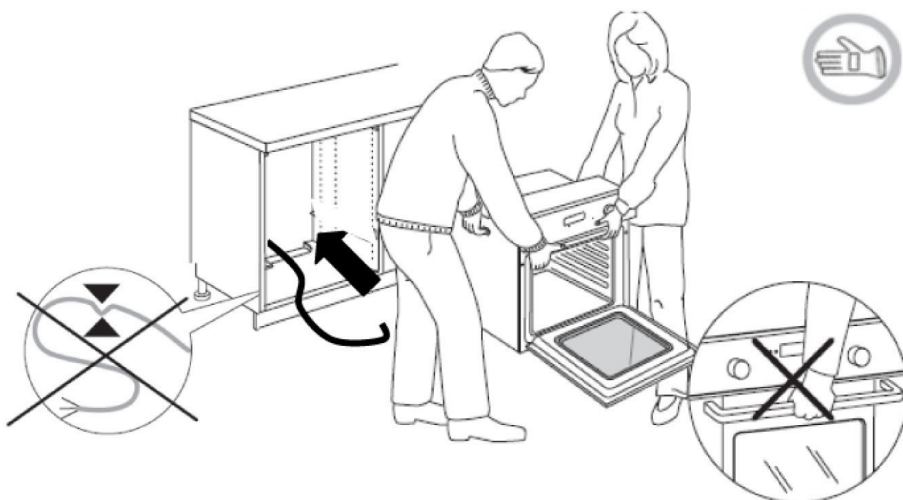
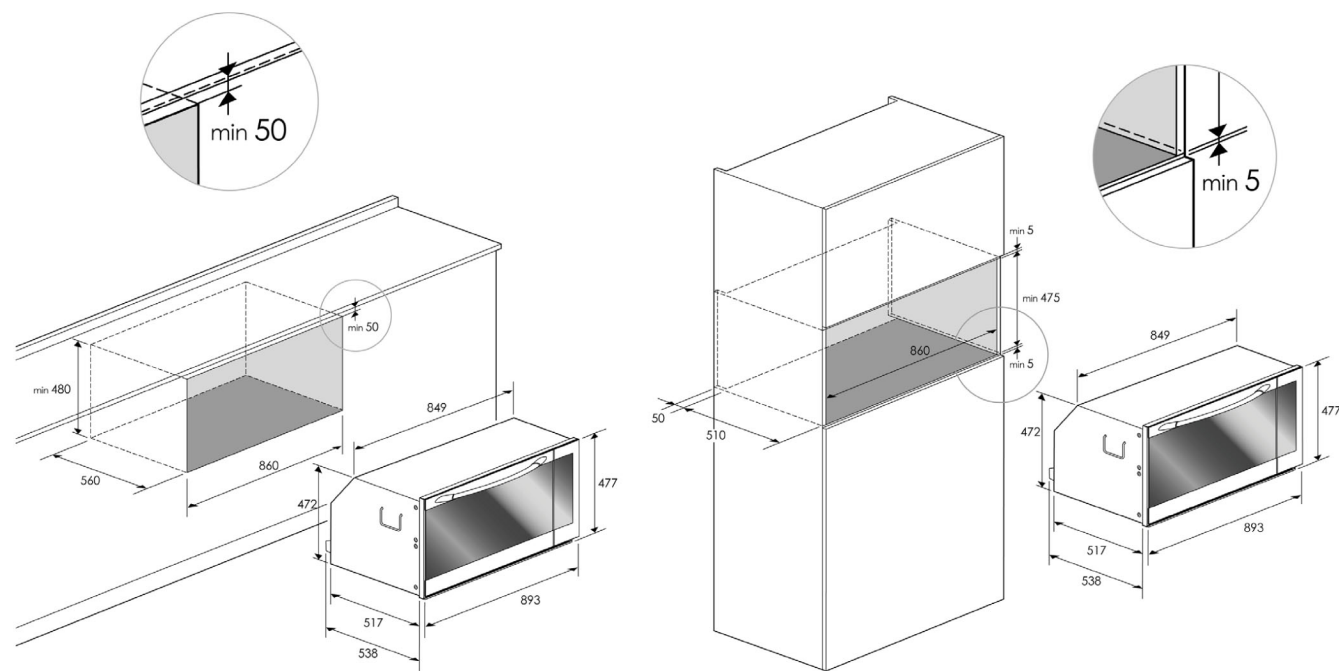
- Tento spotřebič byl vyroben z recyklovatelných nebo znovu použitelných materiálů. Likvidace musí být provedena v souladu s místními předpisy pro odstraňování odpadu. Před likvidací odřízněte napájecí kabel, aby spotřebič nebylo možné připojit k síti.
- Další informace o zpracování, rekuperaci a recyklaci domácích elektrických spotřebičů zjistíte u příslušného místního úřadu, úřadu pro likvidaci domovního odpadu, nebo v obchodě, kde jste spotřebič zakoupili.

## INSTALACE

Po vybalení trouby se přesvědčte, že trouba nebyla při dopravě poškozena a že se dveře dobře zavírají. V případě problémů se obraťte se na svého prodejce nebo na nejbližší servisní středisko. Aby se trouba nepoškodila, doporučujeme odstranit polystyrénový podstavec až před instalací.

## PŘÍPRAVA SKŘÍŇKY K VESTAVBĚ TROUBY

- Kuchyňský nábytek, který je v přímém kontaktu s troubou, musí být odolný vůči vysokým teplotám (min. 90 °C).
- Je-li nutné skříňku přizpůsobit, proveďte tyto práce ještě před zasunutím trouby do skříňky a pečlivě odstraňte všechny dřevěné třísky a piliny.
- Dno trouby nesmí být po provedené instalaci přístupné.
- Ke správnému provozu trouby je nutná minimální mezera mezi pracovní deskou a horním okrajem trouby.

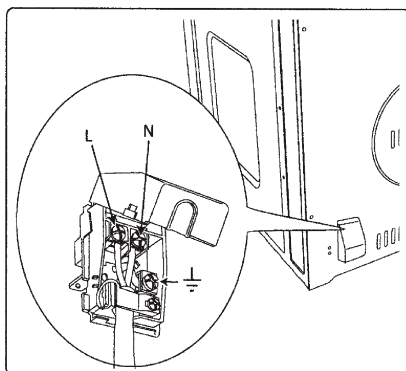


## **PŘIPOJENÍ K ELEKTRICKÉ SÍTI**

Zkontrolujte, zda napětí uvedené na typovém štítku spotřebiče odpovídá napětí ve vašem bytě. Typový štítek je umístěný na předním okraji trouby (je viditelný při otevřených dveřích).

- Napájecí kabel (typ H05 RR-F 3 x 1,5 mm<sup>2</sup>) smí vyměnit jen kvalifikovaný elektrikář. Obratě se na autorizované servisní středisko.

| <b>TYPY KABELŮ A MINIMÁLNÍ PRŮMĚRY</b> |
|--|
| <b>H05RR-F 3x1,5 mm<sup>2</sup></b>    |
| <b>H05VV-F 3x1,5 mm<sup>2</sup></b>    |
| <b>H05RN-F 3x1,5 mm<sup>2</sup></b>    |
| <b>H05V2V2-F 3x1,5 mm<sup>2</sup></b>  |



## **OBECNÁ DOPORUČENÍ**

### **Před použitím:**


- Odstraňte ochranné lepenkové obaly, ochrannou fólii a nálepky z příslušenství.
- Vyjměte z trouby příslušenství a zahřejte ji na MAXIMÁLNÍ teplotu na 30 °C, abyste odstranili pach a výpary z ochranného tuku a izolačních materiálů.

### **Během použití:**


- Na troubu nepokládejte žádné těžké předměty, které by ji mohly poškodit.
- Za dveře trouby netahejte, a nic nezavěšujte ani za držadlo.
- Dno trouby nezakrývejte hliníkovou fólií.
- Nikdy nelijte vodu do vnitřku horké trouby; mohl by se poškodit smaltovaný povrch.
- Nikdy neposunujte po dně trouby nádoby, mohli byste poškrábat smaltovaný povrch.
- Přesvědčte se, že se elektrické kabely jiných spotřebičů používaných v blízkosti trouby nedotýkají horkých částí, a že se nemohou zachytit ve dveřích trouby.
- Troubu nevystavujte atmosférickým vlivům.

## RADY K OCHRANĚ ŽIVOTNÍHO PROSTŘEDÍ

### **Likvidace obalového materiálu**

Obal je ze 100 % recyklovatelného materiálu a je označen recyklačním symbolem . Obalový materiál proto nevyhazujte s domácím odpadem, ale zlikvidujte ho podle platných místních předpisů.

### **Likvidace spotřebiče**

- Tento spotřebič je označen v souladu s evropskou směrnicí 2002/96/ES o likvidaci elektrického a elektronického zařízení (WEEE).
- Zajištěním správné likvidace tohoto výrobku pomůžete zabránit případným negativním důsledkům na životní prostředí a lidské zdraví, k nimž by jinak došlo nevhodnou likvidací tohoto výrobku.
- Symbol  na spotřebiči nebo přiložených dokumentech udává, že tento spotřebič nepatří do domácího odpadu, ale je nutné ho odvézt do příslušného sběrného místa pro recyklaci elektrických a elektronických zařízení.

### **Úspora energie**

- Troubu předehřívejte pouze tehdy, je-li to výslovně uvedeno v tabulce pro pečení nebo ve vašem receptu.
- Používejte tmavé lakované nebo smaltované formy na pečení, které mnohem lépe pohlcují teplo.

## PROHLÁŠENÍ O SHODĚ S PŘEDPISY C E

- Tato trouba, která je určena pro kontakt s potravinami, je ve shodě s evropským nařízením (C E) č. 1935/2004 a byla navržena, vyrobena a prodána v souladu s bezpečnostními požadavky směrnice pro nízké napětí 2006/95/ES (která nahrazuje 73/23/EHS a její další znění) a s požadavky na ochranu směrnice „EMC“ 2004/108/ES.

## JAK ODSTRANIT PORUCHU

### **Trouba nefunguje:**

- Zkontrolujte, zda je v síti proud a zda je trouba elektricky připojená.
- Vypněte a opět zapněte troubu, aby zjistili, zda porucha stále trvá.
- Zkontrolujte, zda byl mechanický programátor nastavený na čas pečení neb na ruční režim.

**Tento výrobek obsahuje světelný zdroj energetické třídy G.**

## POPRAVNÍ SERVIS

### Než zavoláte do servisu:

1. Ověřte si, zda nemůžete vyřešit problémy sami pomocí bodů popsaných v „Jak odstranit poruchu“.
2. Vypněte spotřebič a opět ho zapněte, abyste zjistili, zda porucha stále trvá.

**Jestliže porucha trvá i po uvedení výše uvedených kroků, zavolejte do nejbližšího servisu.**

Uvedte:

- stručný popis poruchy;
- typ a přesný model trouby;
- servisní číslo (číslo za slovem Service na typovém štítku), které je uvedeno na pravém okraji vnitřku trouby (je vidět při otevřených dveřích trouby). Servisní číslo je uvedeno i na záručním listu;
- úplnou adresu;
- telefonní číslo.

**SERVICE** 0000 000 00000



Jestliže je nutná oprava, obraťte se na autorizovaný **poprodejní servis** (abyste měli jistotu, že budou použity originální náhradní díly a že oprava bude provedena správně).

## ČIŠTĚNÍ



### VAROVÁNÍ

- **Nepoužívejte čisticí přístroje na páru.**
- **Troubu čistěte, až když vychladne natolik, že se jí můžete bezpečně dotknout.**
- **Spotřebič odpojte od elektrické sítě.**

### Vnější stěny trouby

**DŮLEŽITÉ UPOZORNĚNÍ: Nepoužívejte korozivní nebo abrazivní čisticí prostředky. Jestliže se tyto prostředky přesto náhodně dostanou na spotřebič, ihned je setřete vlhkým hadříkem.**

- Plochy trouby otřete vlhkým hadříkem. Jsou-li velmi zašpiněné, omyjte je roztokem vody s několika kapkami mycího prostředku na nádobí. Pak je otřete suchým hadříkem.

### Vnitřek trouby:

**Důležité upozornění: Nepoužívejte abrazivní houbičky ani kovové škrabky nebo drátěnky. Postupem času by mohly zničit smaltovaný povrch a skleněné dveře trouby.**

- Po každém použití nechte troubu částečně vychladnout a vložnou troubu pak vyčistěte; lépe tak odstraníte přilepené nečistoty a skvrny od zbytků jídel (např. potraviny s vysokým obsahem cukru).
- Používejte pouze čisticí prostředky vhodné pro trouby a dodržujte pokyny výrobce.
- Sklo dveří omyjte vhodným tekutým prostředkem. Dveře trouby je možné při čištění sejmout ze závěsů (viz ÚDRŽBA).

**Pozn.: Při delším pečení jídel s vysokým obsahem vody (např. pizza, zelenina apod.) může na vnitřní straně dveří a okolo těsnění kondenzovat voda. Po vychladnutí trouby vysušte vnitřní část dveří hadříkem nebo houbou.**

### Příslušenství:

- Příslušenství vložte ihned po použití do roztoku mycího prostředku na nádobí s vodou; je-li ještě horké, použijte kuchyňské chňapky.
- Zbytky jídel snadno odstraníte vhodným kartáčkem nebo houbičkou



### **VAROVÁNÍ**

- Použijte ochranné rukavice.
- Před dalším postupem zkontrolujte, zda už je trouba studená.
- Spotřebič odpojte od elektrické sítě.

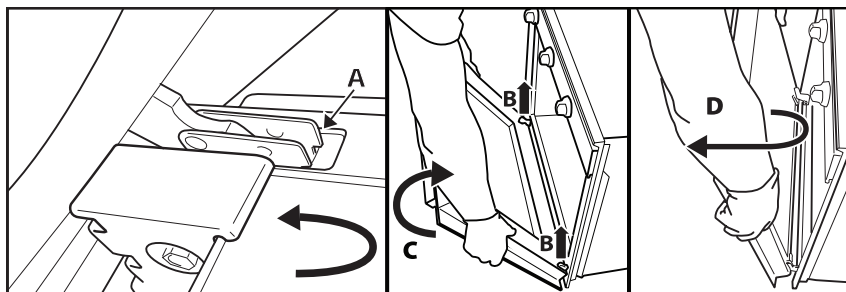
## ODSTRANĚNÍ DVEŘÍ

### Odstranění dveří:

1. Dveře úplně otevřete.
2. Zdvihněte blokovací páčky závěsů a zatlačte je dopředu až na doraz (obr. 1).
3. Zavřete co nejvíce dveře (A), zvedněte je nahoru (B) a otočte je (C), až se uvolní (D) (obr. 2).

### Nasazení dveří:

1. Zasadte závěsy do jejich umístění.
2. Dveře úplně otevřete.
3. Obě blokovací páčky sklopte.
4. Zavřete dveře.

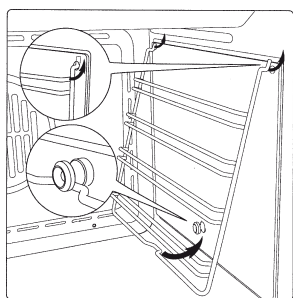


Obr. 1

Obr. 2

## Odstranění bočních drážek

Stlačte je dolů a zvedněte, jak je znázorněno na obrázku 3.

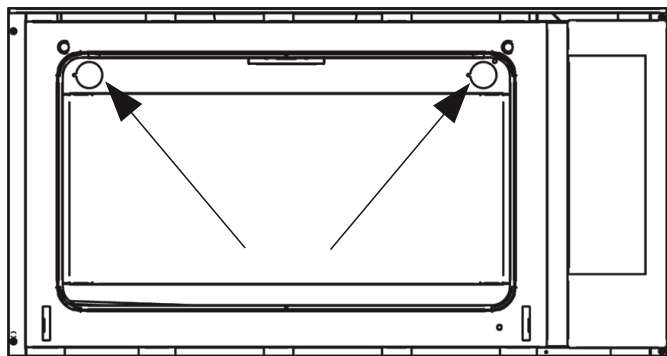


Obr. 3

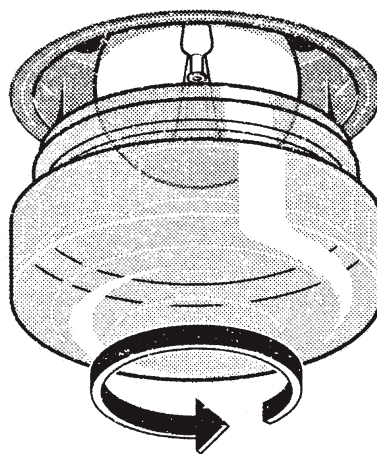
## **VÝMĚNA ŽÁROVKY TROUBY**

### **Chcete-li nahradit dvě zadní žárovky (obr. 4):**

- Odpojte troubu od zdroje energie.
- Odšroubujte kryt žárovky (obr. 5), vyměňte žárovku (viz poznámku o typu žárovky) a našroubujte kryt osvětlení zpět.
- Znovu připojte troubu k elektrické síti.



Obr. 4



Obr. 5

### **Pozn.:**

- Používejte jediné žárovky 25 W/230 V, typ E14, teplota 300 °C.
- Žárovka použitá ve spotřebiči je speciálně navržena pro elektrické spotřebiče a není vhodná k osvětlení místnosti v domácnosti (nařízení Komise (ES) č. 244/2009).
- Žárovku můžete zakoupit poprodejním servisem.




# NÁVOD NA POUŽITIE

|  | <b>Strana</b> |
|--|---------------|
| <b>DÔLEŽITÉ BEZPEČNOSTNÉ POKYNY</b>        | <b>70</b>     |
| <b>INŠTALÁCIA</b>                          | <b>72</b>     |
| <b>OCHRANA ŽIVOTNÉHO PROSTREDIA</b>        | <b>74</b>     |
| <b>VYHLÁSENIE O ZHODE</b>                  | <b>74</b>     |
| <b>PRÍRUČKA NA ODSTRAŇOVANIE PROBLÉMOV</b> | <b>74</b>     |
| <b>SERVIS</b>                              | <b>75</b>     |
| <b>ČISTENIE</b>                            | <b>75</b>     |
| <b>ÚDRŽBA</b>                              | <b>76</b>     |

## DÔLEŽITÉ BEZPEČNOSTNÉ POKYNY

### BEZPEČNOSŤ VAŠEJ AJ INÝCH OSÔB JE VEĽMI DÔLEŽITÁ

Tento návod a samotný spotrebič poskytujú bezpečnostné upozornenia, ktoré si musíte prečítať a vždy dodržiavať.

 Toto je symbol nebezpečenstva, týkajúci sa bezpečnosti, ktorý používateľov upozorňuje na možné riziká hroziace ich osobe a iným.

Všetky bezpečnostné upozornenia sú označené symbolom nebezpečenstva a nasledujúcimi termínmi:

 **NEBEZPEČENSTVO** Označuje nebezpečnú situáciu, ktorá, ak sa jej nepredídete, spôsobí vážne poranenia.

 **VAROVANIE** Označuje nebezpečnú situáciu, ktorá, ak sa jej nepredídete, môže spôsobiť vážne poranenia.

Vo všetkých bezpečnostných varovaniach sa uvádzajú podrobnosti týkajúce sa potenciálneho rizika, ako aj odporúčania, ako predchádzať riziku poranenia, poškodenia majetku a ako predchádzať zasiahnutiu elektrickým prúdom následkom nesprávneho používania spotrebiča. Dôsledne dodržiavajte nasledujúce pokyny:

- Pri všetkých úkonoch pri vybalení a inštalácii používajte ochranné rukavice.
- Tento spotrebič má nadmernú hmotnosť, pri jeho dvíhaní a premiestňovaní musia spoločne pracovať aspoň dve osoby, aby sa predišlo nebezpečenstvu a poraneniám.
- Pred vykonávaním akéhokoľvek úkonu montáže musíte spotrebič odpojiť od elektrickej siete.
- Inštaláciu a údržbu musí vykonávať kvalifikovaný technik, v súlade s pokynmi výrobcu a vnútroštátnymi predpismi. Nikdy neopravujte ani nevymieňajte žiadnu časť spotrebiča, ak to nie je špecificky uvedené v návode na obsluhu.
- Výmenu prívodného elektrického kábla musí vykonať kvalifikovaný elektrikár. Zavolajte autorizované servisné stredisko.
- Podľa platných predpisov musí byť spotrebič uzemnený.
- Prívodný elektrický kábel musí byť dostatočne dlhý, aby sa spotrebič, zabudovaný do kuchynskej linky, dal zapojiť do elektrickej siete.
- Pri inštalácii v súlade s bezpečnostnými predpismi namontujte na dostupné miesto vypínač, ktorý dokáže vypnúť všetky póly, so vzdialenosťou medzi kontaktmi aspoň 3 mm.
- Keď je spotrebič vybavený zástrčkou, nepoužívajte rozdvojky.
- Nepoužívajte predlžovacie napájacie káble.
- Neťahajte za elektrický napájací kábel.
- Po inštalácii spotrebiča nesmú byť jeho elektrické časti prístupné používateľom.
- Nedotýkajte sa spotrebiča mokkými časťami tela, ani ho nepoužívajte, ak ste bosí.
- Spotrebič je určený iba na používanie v domácnosti na prípravu jedál. Nie je povolené žiadne iné jeho použitie (napr.: na vykurovanie miestností). Výrobca odmieta akúkoľvek zodpovednosť za škody v prípade nesprávneho používania alebo nesprávneho nastavenia ovládacích prvkov.

- Počas používania sa spotrebič a prístupné časti môžu veľmi zohriať. Nedotýkajte sa ohrievacích článkov. Nedovoľte veľmi malým deťom (vo veku 0-3 rokov) a malým deťom (3-8 rokov), aby sa priblížili k spotrebiču, pokiaľ nie sú pod dohľadom
- Deti vo veku od 8 rokov a osoby s obmedzenými fyzickými, zmyslovými a rozumovými schopnosťami alebo osoby, ktoré nemajú skúsenosti a poznatky o obsluhu tohto spotrebiča, môžu spotrebič používať, pokiaľ sú pod dohľadom alebo boli poučené o bezpečnom používaní spotrebiča a chápu súvisiace nebezpečenstvo. Deti sa nesmú hrať so spotrebičom. Deti bez dozoru nesmú vykonávať čistenie ani údržbu spotrebiča.
- Počas používania spotrebiča a po jeho skončení sa nedotýkajte ohrievacích článkov ani vnútorného povrchu - hrozí nebezpečenstvo popálenín. Nedovoľte, aby sa spotrebič dostal do kontaktu s tkaninami alebo iným horľavým materiálom, kým sa komponenty dostatočne neochladili.
- Po ukončení prípravy jedla dávajte pri otváraní dvierok spotrebiča pozor, nechajte postupne uniknúť horúci vzduch alebo paru a až potom siahajte do rúry. Keď sú dvierka spotrebiča zatvorené, horúci vzduch uniká otvormi nad ovládacím panelom. Vetracie otvory nezakrývajte.
- Pri vyberaní nádob a príslušenstva z horúcej rúry používajte ochranné rukavice, nedotýkajte sa ohrievacích článkov.
- Neukladajte horľavé materiály na spotrebič alebo do jeho blízkosti, pri náhodnom vypnutí spotrebiča môže vypuknúť požiar.
- Nezohrievajte ani nevarte v rúre uzavreté nádoby ani poháre. Tlak, ktorý vznikne vnútri obalu, môže spôsobiť výbuch nádoby a poškodenie spotrebiča.
- Nepoužívajte plastové nádoby.
- Prehriaty tuk a olej sa môžu vznietiť. Pri príprave jedál s vysokým obsahom tukov a oleja dávajte pozor.
- Počas sušenia potravín nenechávajte rúru bez dozoru.
- Ak pri príprave jedál používate alkoholické nápoje (napríklad rum, koňak, víno a pod.), pamätajte, že alkohol sa pri vysokých teplotách vyparuje. Môže tým vzniknúť riziko vznietenia uvoľnených alkoholových výparov pri kontakte s elektrickým ohrievacím článkom.
- Nikdy nepoužívajte čistiace zariadenia využívajúce paru.
- Počas cyklu pyrolýzy sa nedotýkajte rúry. Počas cyklu pyrolýzy sa deti nesmú zdržiavať v blízkosti rúry (iba u rúr s funkciou pyrolýzy).
- Používajte iba teplotnú sondu odporúčanú pre tento typ rúry.
- Na čistenie skla dvierok rúry nepoužívajte drsné práškové čističe, ani ostré kovové škrabky, pretože by mohli poškrabať povrch, čo spôsobí rozbitie skla.
- Dbajte, aby bol spotrebič pred výmenou žiarovky vypnutý, čím sa vylúči možnosť úrazu elektrickým prúdom.

## Likvidácia domácich spotrebičov

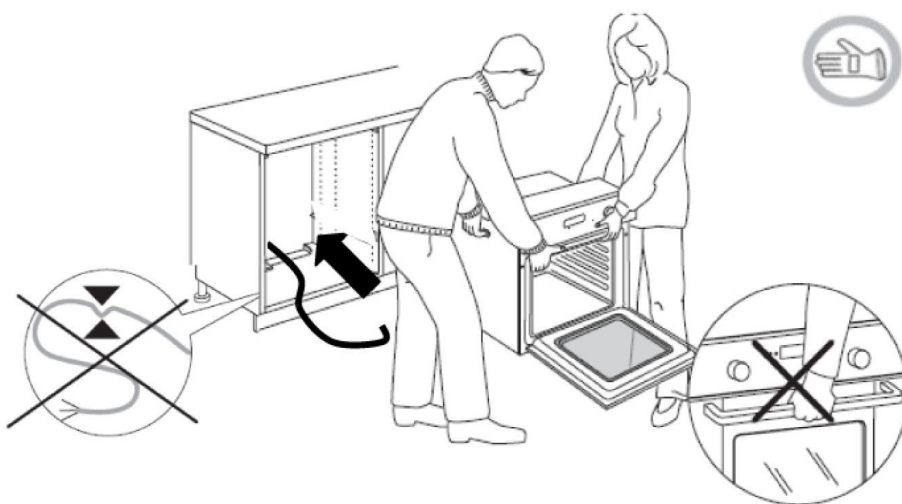
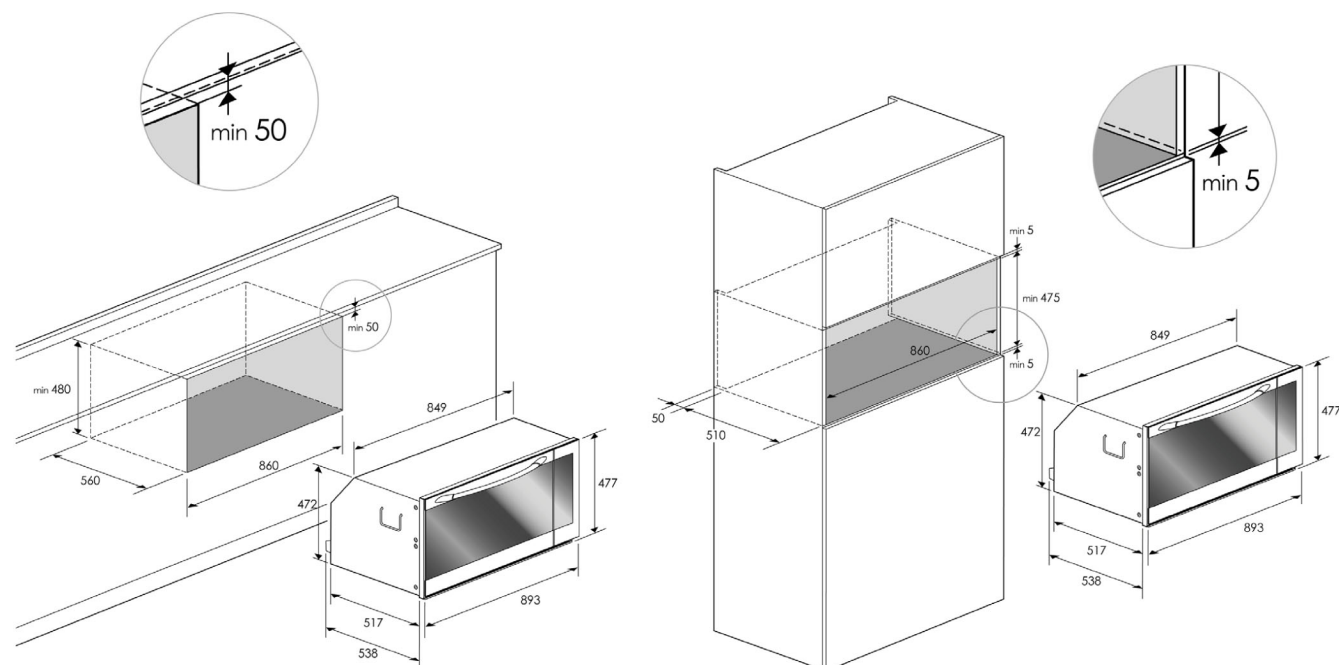
- Tento spotrebič je vyrobený z recyklovateľných a znovu použiteľných materiálov. Pri likvidácii dodržiavajte miestne predpisy o likvidácii odpadov. Pred odovzdaním do zberu odrežte napájacie káble, aby sa spotrebiče nedali pripojiť k elektrickej sieti.
- Podrobnejšie informácie o zaobchádzaní s týmto spotrebičom, jeho zbere a recyklácii dostanete na miestnom úrade, v zberných surovinách alebo v obchode, kde ste spotrebič kúpili.

## INŠTALÁCIA

Vybalte rúru a skontrolujte, či rúra nebola poškodená počas prepravy a že dvierka rúry sa riadne zatvárajú. V prípade problémov zavolajte predajcu alebo prevádzku autorizovaného servisu. Aby ste predišli akémukoľvek poškodeniu, pri inštalácii iba vyberte rúru z podstavca z polystyrénu.

## PRÍPRAVA SKRINKY, KDE MÁ BYŤ JEDNOTKA ZABUDOVANÁ

- Jednotky kuchynskej linky musia odolávať teplote (min 90 °C).
- Pred vsadením rúry urobte všetky potrebné výrezy a z výklenku odstráňte odrezky a piliny.
- Po inštalácii nesmie byť spodná časť rúry prístupná.
- Na zaručenie správnej činnosti spotrebiča zabezpečte, aby nebola prikrytá minimálna medzera medzi pracovnou plochou a horným okrajom rúry.

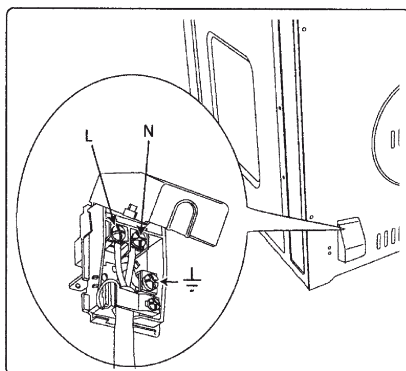


## **ELEKTRICKÉ PRÍPOJKY**

Skontrolujte, či napätie uvedené na výrobnom štítku zodpovedá napätiu v elektrickej sieti domácnosti. Výrobný štítok je umiestnený na prednom okraji rúry (viditeľný pri otvorených dverkách).

- Prípadnú výmenu napájacieho elektrického kábla (typ H05 RR-F 3 x 1,5 mm<sup>2</sup>) musí vykonať kvalifikovaný elektrikár. Zavolajte autorizované servisné stredisko.

| <b>TYPY KÁBLOV A MINIMÁLNE PRIEMERY</b> |
|---|
| <b>H05RR-F 3x1,5 mm<sup>2</sup></b>     |
| <b>H05VV-F 3x1,5 mm<sup>2</sup></b>     |
| <b>H05RN-F 3x1,5 mm<sup>2</sup></b>     |
| <b>H05V2V2-F 3x1,5 mm<sup>2</sup></b>   |



## **VŠEOBECNÉ ODPORÚČANIA**


### **Pred používaním:**

- Odstráňte všetky ochranné diely z lepenky, ochranné fólie a nálepky z príslušenstva.
- Z rúry vyberte príslušenstvo, zohrejte ju na MAX. teplotu na 30 minút, aby sa odstránil pach a dym z izolačného materiálu a konzervačného tuku.


### **Počas používania:**

- Nekladte na dvierka ťažké predmety, pretože by ich to mohlo poškodiť.
- Neopierajte sa o dvierka a na ich rukoväť nič nevesajte.
- Vnútro rúry nevykladajte alobalom.
- Nikdy nelejte vodu do horúcej rúry. Mohol by sa tak poškodiť smaltovaný povrch.
- Hrnce a panvice neposúvajte po dne rúry, mohol by sa tým poškodiť smalt.
- Skontrolujte, či elektrické káble alebo iné elektrické spotrebiče v blízkosti rúry nemôžu prísť do styku s jej horúcimi časťami alebo či sa nemôžu zachytiť do jej dvierok.
- Rúru nevystavujte poveternostným vplyvom.

### **Likvidácia obalového materiálu**

Tento obalový materiál je 100% recyklovateľný a je označený symbolom recyklácie . Rôzne časti obalu likvidujte zodpovedne, v plnom súlade s platnými predpismi o likvidácii odpadov.

### **Likvidácia spotrebiča**

- Tento spotrebič je označený v súlade s európskou smernicou 2002/96/ES o odpade z elektrických a elektronických zariadení - Waste Electrical and Electronic Equipment (WEEE).
- Zaistením správnej likvidácie tohto spotrebiča pomôžete predchádzať možným negatívnym dopadom na životné prostredie a ľudské zdravie, ktoré by ináč mohli vzniknúť nevhodným zaobchádzaním so spotrebičom.
- Symbol  na spotrebiči alebo na sprievodných dokumentoch znamená, že s týmto výrobkom sa nesmie zaobchádzať ako s domovým odpadom, ale treba ho odovzdať v zbernom stredisku pre elektrické a elektronické zariadenia.

### **Úspora energie**

- Predohrev rúry používajte, iba ak je to uvedené v tabuľke na prípravu jedál.
- Použite tmavé lakované alebo smaltované formy na pečenie, ktoré lepšie pohlcujú teplo.

## VYHLÁSENIE O ZHODE (CE)

- Táto rúra môže prísť do kontaktu s potravinami, spĺňa požiadavky európskeho nariadenia (CE) č. 1935/2004 a bola navrhnutá, vyrobená a predaná v súlade s bezpečnostnými požiadavkami smernice „o nízkom napätí“ 2006/95/ES (ktorá nahrádza smernicu 73/23/EHS v znení nasledujúcich úprav), ako aj s požiadavkami smernice „EMC“ 2004/108/ES.

## PRÍRUČKA NA ODSTRANOVANIE PROBLÉMOV

### **Rúra nefunguje:**

- Skontrolujte, či je elektrická sieť pod napätím a či je rúra pripojená k elektrickej sieti.
- Rúru vypnite a znova zapnite, skontrolujte, či sa problém neodstránil.
- Skontrolujte, či mechanický programátor nie je otočený do polohy doby varenia alebo či nie je nastavený manuálne fungovanie.

**Tento výrobok obsahuje svetelný zdroj energetickej účinnosti triedy G.**

## SERVIS

### **Predtým, ako zavoláte servis:**

1. Skúste problém vyriešiť sami pomocou odporúčaní uvedených v „Príručke na odstraňovanie problémov“.
2. Spotrebič vypnite a opäť ich zapnite, aby ste zistili, či problém pretrváva.

**Ak po hore uvedených kontrolách porucha naďalej pretrváva, spojte sa s najbližším servisným strediskom.**

Vždy uveďte:

- krátky opis poruchy;
- typ a presný model rúry;
- servisné číslo (číslo uvedené po slove „Service“ na typovom štítku) umiestnenom vpravo na vnútornom okraji rúry (viditeľný pri otvorených dverkách). Servisné číslo sa uvádza aj na záručnom liste;
- vašu úplnú adresu;
- vaše telefónne číslo.

**SERVICE** 0000 000 00000



Ak by bolo nevyhnutné rúru opraviť, obráťte sa na **autorizované servisné stredisko** (zaručí sa tým použitie originálnych náhradných dielov a správny postup pri oprave).

## ČISTENIE



### **VAROVANIE**

- **Nepoužívajte prístroje využívajúce na čistenie prúd pary.**
- **Rúru očistite, až keď bude chladná na dotyk.**
- **Odpojte spotrebič od elektrického napájania.**

### **Vonkajší povrch rúry**

**DOLEŽITÉ: Nepoužívajte korozívne ani abrazívne čistiace prostriedky. Ak sa niektorý z uvedených prostriedkov dostane do kontaktu so spotrebičom, okamžite ho poutierajte vlhkou utierkou.**

- Povrch čistite vlhkou utierkou. Ak je povrch veľmi špinavý, pridajte do vody niekoľko kvapiek umývacieho prípravku na riad. Utrite suchou utierkou.

### **Vnútro rúry:**

**Doležité: nepoužívajte abrazívne špongie ani kovové škrabky alebo drôtenky. Časom by mohli poškodiť smaltované povrchy a sklo na dverkách.**

- Po každom použití nechajte rúru vychladnúť a potom ju vyčistite, kým je ešte vlažná, aby ste odstránili zapečené zvyšky a škvrny spôsobené zvyškami jedál (napr. pri príprave jedál s vysokým obsahom cukru).
- Používajte značkové čistiace prípravky na rúry a prísne dodržiavajte pokyny výrobcu.
- Sklo dvierok očistite vhodnými kvapalnými čistiacimi prostriedkami. Dvierka rúry sa dajú vybrať, čím sa uľahčí čistenie (pozrite ÚDRŽBA).

**POZNÁMKA: počas dlhého pečenia jedál s vysokým obsahom vody (napr. pizza, zelenina a pod.) sa na vnútornej strane dvierok rúry a na tesnení môže tvoriť skondenzovaná voda. Rúru po vychladnutí osušte utierkou alebo špongiou.**

### **Príslušenstvo rúry:**

- Ihneď po použití príslušenstvo namočte do vody, do ktorej ste pridali umývací prostriedok a ak je príslušenstvo horúce, pri manipulácii používajte rukavice.
- Zvyšky jedál odstráňte vhodnou kefkou alebo špongiou



## ÚDRŽBA



### VAROVANIE

- Používajte ochranné rukavice.
- Pred vykonaním nasledujúcich úkonov sa uistite, že sa rúra ochladila.
- Odpojte spotrebič od elektrického napájania.

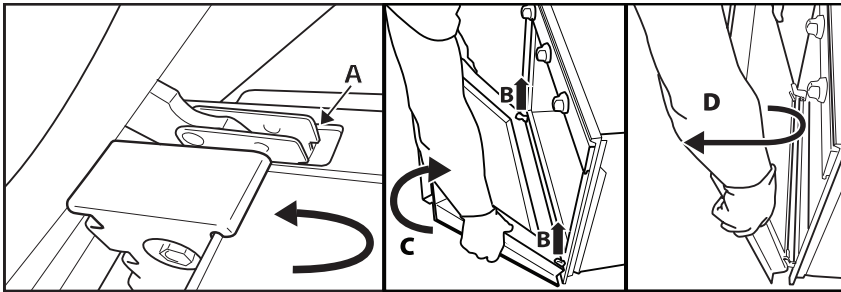
### VYBRATIE DVIEROK

#### Pri vyberaní dvierok:

1. Dvierka úplne otvorte.
2. Nadvihnite úchytky a potlačte ich čo najviac dopredu (obr. 1).
3. Zatvorte čo najviac (A), nadvihnite (B) a otočte (C), kým sa neuvoľnia (D) (Obr. 2).

#### Montáž dvierok:

1. Vsuňte závesy na miesto.
2. Dvierka úplne otvorte.
3. Spušte dve blokovacie páčky.
4. Zatvorte dvierka.

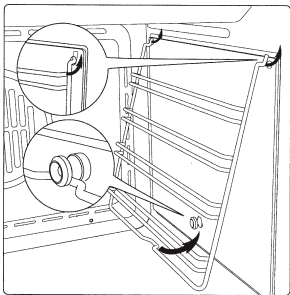


Obr. 1

Obr. 2

### VYBRATIE BOČNÝCH MREŽOK

Rošty zatlačte a nadvihnite, ako vidno na obr. 3.



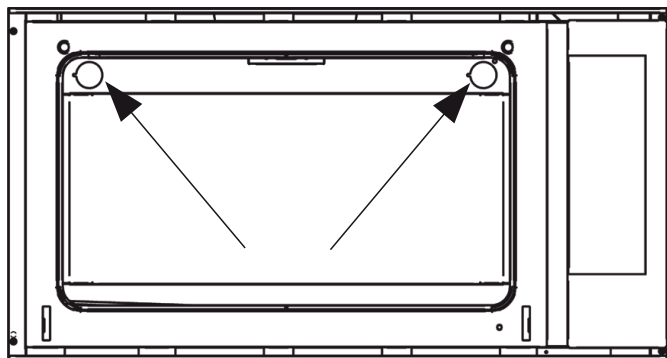
Obr. 3



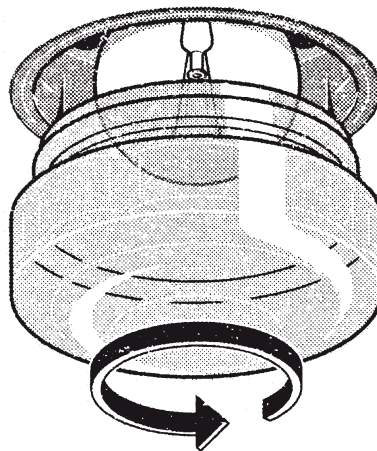
## **VÝMENA ŽIAROVKY OSVETLENIA RÚRY**

### **Výmena dvoch zadných žiaroviek (obr. 4):**

- Odpojte rúru od elektrického napájania.
- Odskrutkujte kryt žiarovky (obr. 5), vymeňte žiarovku (údaje o type sú v poznámke) a opäť zaskrutkujte kryt žiarovky.
- Rúru opäť zapojte ku elektrickému napájaniu.



Obr. 4



Obr. 5

### **POZNÁMKA:**

- Použite iba žiarovky typu 25 W/230 V E14, T 300°C.
- Žiarovka použitá v tomto spotrebiči je špeciálna žiarovka určená iba na použitie v elektrických spotrebičoch. Nie je vhodná na osvetlenie bytových priestorov (Nariadenie Komisie (ES) č. 244/2009).
- Žiarovky dostanete v prevádzke servisu.


# HASZNÁLATI UTASÍTÁS

|                                     | <b>Oldal</b> |
|-------------------------------------|--------------|
| <b>FONTOS BIZTONSÁGI TUDNIVALÓK</b> | <b>79</b>    |
| <b>ÜZEMBE HELYEZÉS</b>              | <b>81</b>    |
| <b>KÖRNYEZETVÉDELMI TANÁCSOK</b>    | <b>83</b>    |
| <b>MEGFELELŐSÉGI NYILATKOZAT</b>    | <b>83</b>    |
| <b>HIBAELHÁRÍTÁSI ÚTMUTATÓ</b>      | <b>83</b>    |
| <b>VEVŐSZOLGÁLAT</b>                | <b>84</b>    |
| <b>TISZTÍTÁS</b>                    | <b>84</b>    |
| <b>KARBANTARTÁS</b>                 | <b>85</b>    |

## FONTOS BIZTONSÁGI TUDNIVALÓK

### AZ ÖN ÉS MÁSOK BIZTONSÁGA NAGYON FONTOS

Ez a kézikönyv és maga a készülék fontos biztonsági figyelmeztetéseket nyújt, amelyeket el kell olvasni és mindenkor figyelembe kell venni.

-  Ez a veszély szimbólum a biztonságra vonatkozóan, amely figyelmezteti a felhasználókat az őket és másokat fenyegető lehetséges kockázatokra.  
Minden biztonsági figyelmeztetést megelőző a veszély szimbólum és a következő kifejezések egyike:

#### **VESZÉLY**

**Veszélyes helyzetet jelez, amely, ha nem kerülik el, súlyos sérülést okoz.**

#### **FIGYELMEZTETÉS**

**Veszélyes helyzetet jelez, amely, ha nem kerülik el, súlyos sérülést okozhat.**

Minden biztonsági figyelmeztetés specifikusan részletezi a meglévő potenciális kockázatot, és jelzi, hogyan kell a készülék helytelen használatából eredő sérülés, kár és áramütés kockázatát csökkenteni. Gondosan tartsa be a következő utasításokat:

- Használjon védőkesztyűt az összes kicsomagolási és üzembe helyezési művelet végrehajtásakor.
- A készülék rendkívül nehéz; ennek megfelelően emelését vagy kezelését kettő vagy több személynek kell végeznie a bármilyen kockázat vagy sérülés elkerülése érdekében.
- A készüléket le kell választani az elektromos táphálózatról bármilyen üzembe helyezési munka végzése előtt.
- A készülék üzembe helyezését és karbantartását szakembernek kell végeznie a gyártó utasításaival és a helyi biztonsági előírásokkal összhangban. Ne javítsa meg, illetve nem cserélje ki a készülék semmilyen alkatrészét, hacsak az a művelet nem szerepel kifejezetten a felhasználói kézikönyvben.
- A hálózati tápkábel cseréjét szakképzett villanyszerelőnek kell elvégeznie. Vegye fel a kapcsolatot egy hivatalos vevőszolgálattal.
- Az előírások értelmében a készüléket földelni kell.
- A elektromos kábelnek elég hosszúnak kell lennie a helyére beszerelt készüléknek a táphálózathoz történő csatlakoztatásához.
- Az érvényes biztonsági előírások betartása érdekében a beszereléshez fel kell használni egy összpólusú, legalább 3 mm-es érintkezőtávolságú megszakító kapcsolót.
- Ne használjon elosztókat, ha a sütő hálózati dugasszal van felszerelve.
- Ne használjon hosszabbító vezetékeket.
- Ne húzza a hálózati tápkábelt.
- A üzembe helyezést követően az elektromos alkatrészeknek hozzáférhetetlennek kell lenniük a felhasználó számára.
- Ne érjen a készülékhez semmilyen nedves testrészével, és ne használja mezítláb.
- A készülék kizárólag háztartási ételkészítő berendezésként történő használatra készült. Minden más típusú felhasználása tilos (pl. helyiségek fűtése). A gyártó a kezelőszervek helytelen vagy szabálytalan használatból származó károkért felelősséget nem vállal.

- A készülék és annak hozzáférhető részei nagyon felforrósodnak használat közben. Ügyelni kell arra, nehogy megérintse a fűtőelemeket. A nagyon kicsi (0-3 éves) és a kisgyermekeket (3-8 éves) távol kell tartani, ha csak nincsenek folyamatos felügyelet alatt
- A készüléket a legalább 8 éves vagy annál idősebb gyermekek és csökkent fizikai, érzékszervi vagy szellemi képességű, illetve tapasztalatlan vagy nem eléggé informált személyek csak abban az esetben használhatják, ha számukra felügyeletet és útmutatást biztosítanak a készülék biztonságos használatát illetően, és megértik a kapcsolódó kockázatokat. A gyermekek ne játszanak a készülékkel. A tisztítást és a felhasználói karbantartást nem végezhetik gyermekek felügyelet nélkül.
- A használat alatt és azt követően be érintse meg a készülék fűtőelemeit vagy belső felületeit - égésveszély. Ne hagyja, hogy a készülékhez ruhadarabokkal vagy más gyúlékony anyaggal hozzáérjenek, amíg valamennyi komponens teljesen le nem hűlt.
- A sütés végén óvatosan nyissa ki a készülék ajtaját, hagyva, hogy a forró levegő vagy gőz fokozatosan távozzon, mielőtt a sütőbe nyúlna. Amikor a készülék ajtaja zárva van, forró levegő távozik a kezelőpanel feletti rácson keresztül. A szellőzőrács szellőzését ne akadályozza.
- Az edények és tartozékok kivételéhez használjon konyhai kesztyűt, ügyelve arra, hogy ne érintse meg a fűtőelemeket.
- Ne tegyen gyúlékony anyagokat a készülékbe vagy annak közelébe: ezek lángra lobbanhatnak, ha a készüléket véletlenül bekapcsolja.
- A készülékben ne használjon melegítéshez vagy sütéshez zárt tartályokat. A zárt edény belsejében fejlődő nyomás hatására felrobbanhat, és a készülékben kárt tehet.
- Ne használjon műanyagból készült edényeket.
- A túlmelegített olaj és zsír könnyen meggyullad. Mindig legyen éber, amikor zsírban vagy olajban gazdag ételt süt.
- Soha ne hagyja felügyelet nélkül a készüléket ételek zsírban/olajban sütése alatt.
- Ha alkoholos italokat használ az ételek elkészítésekor (pl. rum, konyak, bor), ne feledje, hogy az alkohol magas hőmérsékleten elpárolog. Ennek eredményeként az alkohol által kibocsátott gőzök az elektromos fűtőelemmel érintkezve belobbanhatnak.
- Soha ne használjon gőznyomással működő tisztítókészüléket.
- Ne érintse meg a sütőt a pirolízis ciklus alatt. A pirolízis ciklus közben tartsa távol a gyermekeket a sütőtől (csak Pirolízis funkcióval rendelkező sütőknél).
- Csak ehhez a sütőhöz ajánlott hőmérsékletszondát használjon.
- Ne használjon dörzshatású tisztítószeret vagy éles fémkaparókat a sütőajtó üvegének tisztítására, mivel ezek megkarcolhatják a felületet, ami az üveg eltörését eredményezheti.
- Ügyeljen arra, hogy az izzócsere előtt kikapcsolja a készüléket, hogy elkerülje az esetleges áramütést.

## A háztartási készülékek kiselejtezése

- Ez a készülék újrahasznosítható vagy újrafelhasználható anyagok felhasználásával készült. Kiselejtezéskor a hulladékeltávolításra vonatkozó helyi környezetvédelmi előírások szerint kell eljárni. A kiselejtezés előtt a terméket a hálózati kábel elvágásával kell használhatatlanná tenni.
- A háztartási elektromos készülékek kezelésével, hasznosításával és újrahasznosításával kapcsolatos bővebb tájékoztatásért forduljon a helyi illetékes hatósághoz, a háztartási hulladékok gyűjtését végző szolgáltatóhoz vagy ahhoz a bolthoz, ahol a készüléket vásárolta.

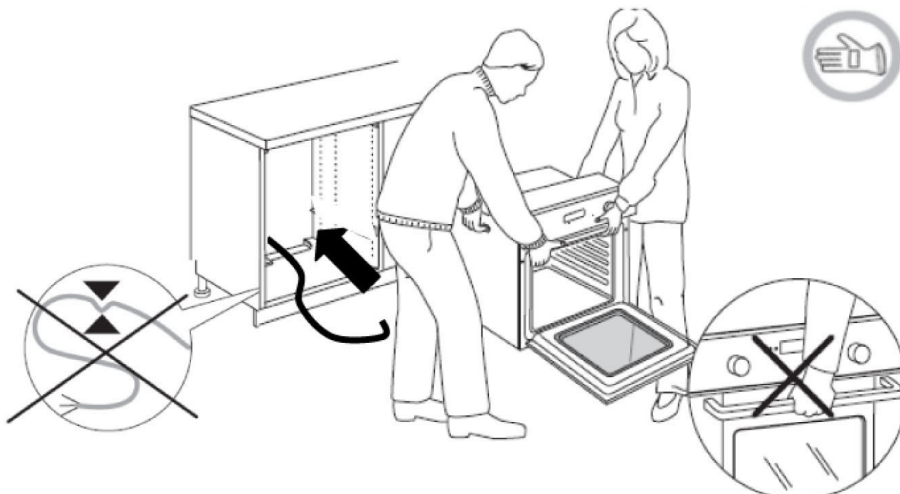
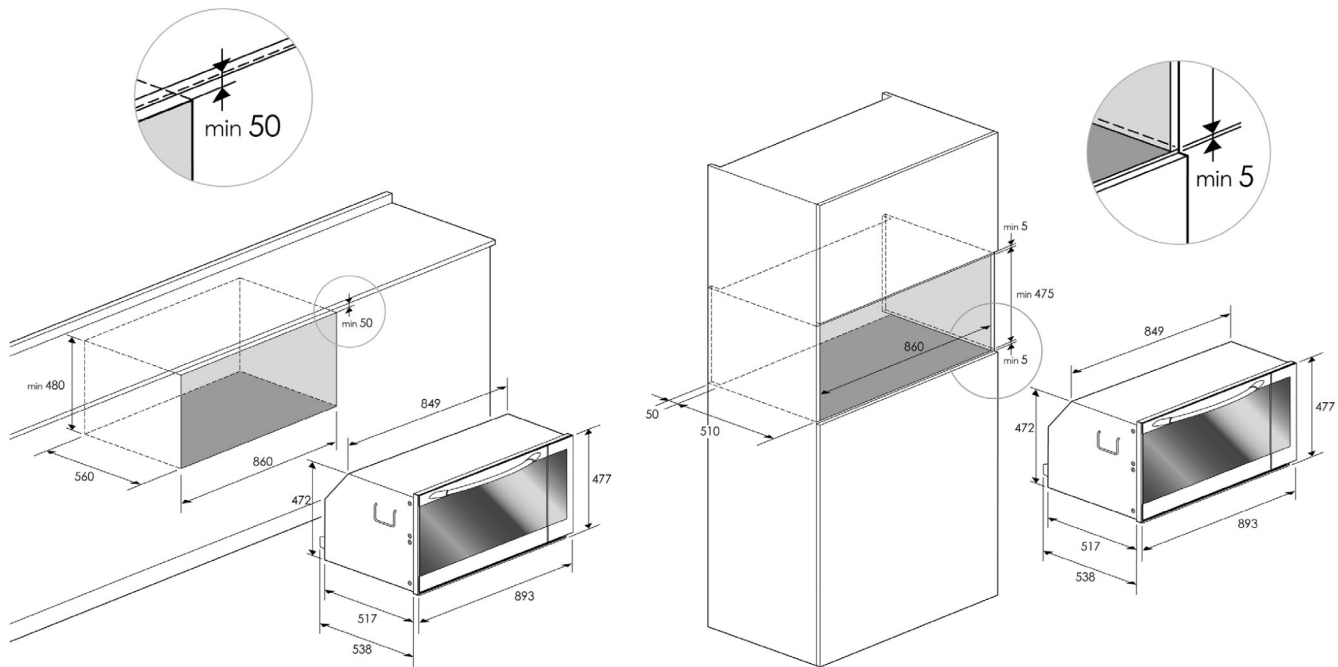
## ÜZEMBE HELYEZÉS

A sütő kicsomagolását követően ellenőrizze, hogy szállítás közben nem sérült-e meg a sütő, és hogy annak ajtaja jól záródik-e.

Problémák esetén vegye fel a kapcsolatot a kereskedővel vagy a legközelebbi vevőszolgálattal. A károsodás megelőzése érdekében csak az üzembe helyezéskor vegye le a sütőt a hungarocell védőalaptatról.

## A BEFOGLALÓ EGYSÉG ELŐKÉSZÍTÉSE

- A sütővel érintkező konyhabútor-elemeknek hőállóknak kell lenniük (min. 90 °C).
- Végezzen el minden asztalosmunkát a bútoron, mielőtt a sütőt a befoglaló egységbe szerelné, és gondosan távolítson el minden faforgácsot és fűrészport.
- Az üzembe helyezést követően a sütő alja már ne lehet hozzáférhető.
- A készülék megfelelő működése érdekében ne tömítse el munkalap alsó szélé és a sütő felső szélé közötti minimális hézagot.

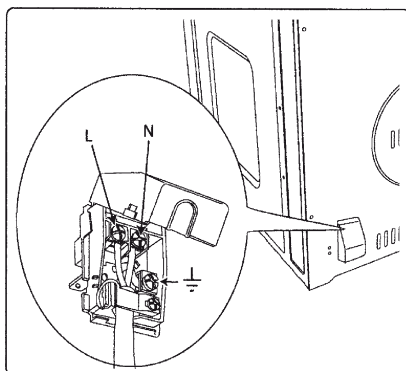


## **ELEKTROMOS CSATLAKOZTATÁS**

Győződjön meg arról, hogy a készülék adatlapján megadott feszültség megegyezik-e a hálózati feszültséggel. Az adatlap a sütő elülső szélén található (nyitott ajtónál látható).

- A hálózati tápkábel cseréjét (típusa H05 RR-F 3 x 1,5 mm<sup>2</sup>) szakképzett villanszerelőnek kell elvégeznie. Vegye fel a kapcsolatot egy hivatalos vevőszolgálattal.

| <b>KÁBELTÍPUSOK ÉS MINIMÁLIS ÁTMÉRŐK</b> |
|--|
| <b>H05RR-F 3x1,5 mm<sup>2</sup></b>      |
| <b>H05VV-F 3x1,5 mm<sup>2</sup></b>      |
| <b>H05RN-F 3x1,5 mm<sup>2</sup></b>      |
| <b>H05V2V2-F 3x1,5 mm<sup>2</sup></b>    |



## **ÁLTALÁNOS AJÁNLÁSOK**


### **Használat előtt:**

- Távolítsa el a karton védőelemeket, a védőfóliát és az öntapadó címkéket a tartozékokról.
- Vegye ki a tartozékokat a sütőből, és melegítse fel MAXIMÁLIS hőmérsékletre 30 percig, hogy megszüntesse a kenőanyagokból és a szigetelőanyagokból származó szag- és füstképződés.


### **Használat alatt:**

- Az ajtóra ne tegyen nehéz tárgyakat, mert ezek megrongálhatják.
- Ne kapaszkodjon az ajtóba, illetve ne akasszon semmit a fogantyúra.
- Ne fedje le a sütő belsejét alumíniumfóliával.
- Forró sütő belsejébe ne öntsön vizet; ez károsíthatja a zománcbevonatot.
- Ne húzza a serpenyőket vagy lábasokat a sütő alján, mert ez károsíthatja a zománcbevonatot.
- Ügyeljen arra, hogy más készülékek elektromos vezetői ne érintkezzenek a sütő forró részeivel, és ne szoruljanak be a sütő ajtaja mögé.
- Ne tegye ki a sütőt légköri szereknek.

### **A csomagolóanyag hulladékba helyezése**

A csomagolóanyag 100%-ban újrahasznosítható, és el van látva az újrahasznosítás jelével . A csomagolás különféle részeinek hulladékba helyezését ezért felelősségteljesen és a hulladékok elhelyezését szabályozó helyi rendelkezésekkel teljes összhangban végezze.

### **A termék kislejtése**

- A készüléken található jelzés megfelel az elektromos és elektronikus berendezések hulladékairól szóló 2002/96/EK európai irányelvben (WEEE) foglalt előírásoknak.
- A hulladékká vált termék szabályszerű elhelyezésével Ön segít elkerülni a környezettel és az emberi egészséggel kapcsolatos azon esetleges negatív következményeket, amelyeket a termék nem megfelelő hulladékkezelése egyébként okozhatna.
- A terméken vagy a kísérő dokumentációban lévő  szimbólum azt jelzi, hogy ezt a terméket nem szabad háztartási hulladékként kezelni, hanem el kell szállítani az elektromos és elektronikus berendezések újrahasznosítását végző megfelelő gyűjtőpontra.

### **Energiatakarékosság**

- A sütőt csak akkor melegítse elő, ha a sütési táblázat vagy a recept ezt írja elő.
- Használjon sötét lakkozott vagy mázas sütőformákat, mivel ezek sokkal jobban elnyelik a hőt.

## MEGFELELŐSÉGI NYILATKOZAT (CE)

- Ez a sütő, mely érintkezésbe kerülhet élelmiszerekkel, megfelel az 1935/2004. sz. európai rendeletnek (CE), és úgy tervezték, gyártották és árusították, hogy megfelel a 2006/95/EK „alacsony feszültségű” irányelv (mely a 73/23/EGK és annak módosításait helyettesíti) biztonsági előírásainak és az 2004/108/EK „EMC” irányelv védelmi előírásainak.

## HIBAELHÁRÍTÁSI ÚTMUTATÓ

### **A sütő nem működik:**

- Ellenőrizze, hogy van-e hálózati feszültség, és hogy a sütő elektromos bekötése megtörtént-e.
- A sütőt kapcsolja ki, majd újra be, hogy lássa, fennáll-e még a probléma.
- Ellenőrizze, hogy a mechanikus programkapcsoló be van-e állítva egy sütési időre vagy manuális funkcióra.

**Ez a termék G energiahatékonysági osztályú fényforrást tartalmaz.**



## VEVŐSZOLGÁLAT

### Mielőtt a vevőszolgálatot hívna:

1. Ellenőrizze, hátha meg tudja oldani saját maga a problémát a „Hibaelhárítási útmutató” fejezetben adott javaslatok segítségével.
2. Kapcsolja ki, majd újra be a készüléket, és ellenőrizze, hogy fennáll-e még a hiba.

### Ha a fenti ellenőrzések után a hiba még mindig fennáll, lépjen kapcsolatba a legközelebbi vevőszolgálattal.

Mindig adja meg a következőket:

- a hiba rövid ismertetése;
- a sütő pontos modelljét és típusát;
- a szervizszámot (a törzslapon a Service szó után álló szám), amely a sütőtér jobb oldali peremén (akkor válik láthatóvá, ha a sütő ajtaja nyitva van) található. A szervizszám a garanciafüzetben is megtalálható;
- a teljes címét;
- a telefonszámát.

**SERVICE** 0000 000 00000



Ha bármilyen javítás válik szükségessé, kérjük, forduljon egy **hivatalos vevőszolgálathoz** (annak biztosítása érdekében, hogy eredeti alkatrészeket használnak, és a javításokat megfelelően végzik el).

## TISZTÍTÁS



### FIGYELMEZTETÉS

- Ne használjon gőzzel tisztító eszközöket.
- Csak akkor végezze a sütő tisztítását, ha annyira lehűlt, hogy megérinthető.
- Válassza le a készüléket az áramforrásról.

### A sütő külső felülete

**FONTOS: Ne használjon dörzshatású vagy korrozív mosószereket. Ha bármilyen ilyen termék véletlenül érintkezésbe kerül a készülékkel, nedves ruhával azonnal törölje le.**

- Egy nedves törlőkendővel tisztítsa meg a felületeket. Ha nagyon piszkos, adjon néhány csepp semleges mosogatószerrel a vízhez. Száraz ruhával törölje szárazra.

### Sütő belseje:

**Fontos: Ne használjon dörzsszivacsot, illetve fém súrolópárnát és kaparókat. Az idő múlásával ezek károsíthatják a zománcozott felületeket és a sütőajtó üvegét.**

- Minden használatot követően hagyja lehűlni a sütőt, tisztítsa meg lehetőleg akkor, amíg még meleg annak érdekében, hogy eltávolítsa az ételmaradványok (pl. a magas cukortartalmú ételek) által okozott szennyeződéseket és foltokat.
- Használjon speciális sütőtisztítókat, és kövesse a szer gyártójának utasításait.
- Tisztítsa meg az ajtó üvegét megfelelő folyékony mosószerezrel. A sütő ajtaját a tisztítás megkönnyítése érdekében el lehet távolítani (lásd KARBANTARTÁS).

**Megjegyzés: Nagy víztartalmú ételek hosszú időtartamú sütése esetén (pl. pizza, zöldségek stb.) az ajtó belsején és körben a tömítésen páralecsapódás keletkezhet. Ha a sütő már lehűlt, az ajtó belső oldalát egy ruhával vagy szivaccsal törölje szárazra.**

### Tartozékok:

- A tartozékokat minden használat után közvetlenül áztassa be mosogatószeres vízbe, használjon sütőkesztyűt, ha még forrók.
- Az ételmaradékok kefével vagy szivaccsal könnyen eltávolíthatók



## KARBANTARTÁS



### FIGYELMEZTETÉS

- Használjon védőkesztyűt.
- Győződjön meg arról, hogy a sütő lehűlt, mielőtt a következő tevékenységeket végezné.
- Válassza le a készüléket az áramforrásról.

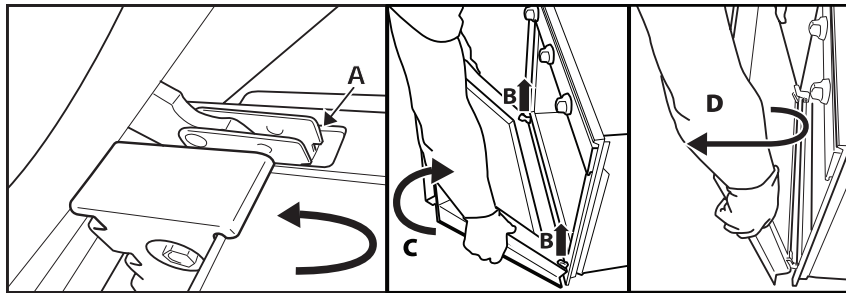
### AZ AJTÓ LEVÉTELE

#### Az ajtó levétele:

1. Nyissa ki teljesen az ajtót.
2. Emelje fel a kallantyúkat, és nyomja őket előre, amennyire lehetséges (1. ábra).
3. Zárja be az ajtót, amennyire lehet (A), emelje meg (B), és fordítsa el (C), amíg ki nem oldódik (D) (2. ábra).

#### Az ajtó visszaszerelése:

1. Illessze a zsanérokat a helyükre.
2. Nyissa ki teljesen az ajtót.
3. Engedje le a két reteszt.
4. Zárja be az ajtót.

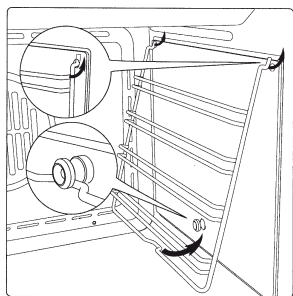


1. Ábra

2. Ábra

#### Az oldalsó rácsok kiemelése

Nyomja lefele a rácsokat, és emelje fel a 3. ábrán látható módon.

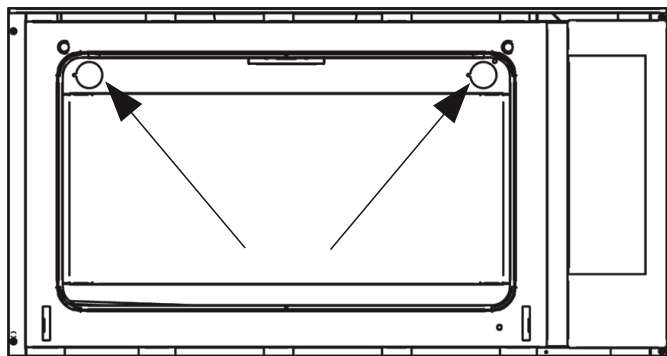


3. Ábra

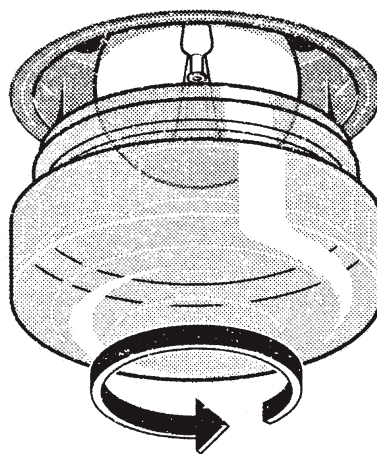
## **A SÜTŐVILÁGÍTÁS IZZÓJÁNAK CSERÉJE**

### **A két hátsó izzó cseréje (4. ábra):**

- Válassza le a sütőt az áramforrásról.
- Csavarja le a lámpafedelelet (5. ábra), cserélje ki az izzót (a típushoz lásd a megjegyzést), majd csavarja vissza a lámpafedelelet.
- Csatlakoztassa ismét a sütőt az áramforrásra.



4. Ábra



5. Ábra

### **Megjegyzés:**

- Kizárólag 25 W/230 V, E14, T300°C típusú izzót használjon.
- A készülékben használt izzók kifejezetten elektromos készülékekben való használatra lettek kialakítva, és nem alkalmasak lakóhelyiségek világítására (244/2009 (EK) sz. bizottsági rendelet).
- Az izzók beszerezhetők a vevőszolgálattól.


# РУКОВОДСТВО ПО ЭКСПЛУАТАЦИИ

|  | Страница  |
|--|-----------|
| <b>ВАЖНЫЕ УКАЗАНИЯ ПО БЕЗОПАСНОСТИ</b>   | <b>88</b> |
| <b>УСТАНОВКА</b>                         | <b>91</b> |
| <b>СОВЕТЫ ПО ЗАЩИТЕ ОКРУЖАЮЩЕЙ СРЕДЫ</b> | <b>93</b> |
| <b>ДЕКЛАРАЦИЯ СООТВЕТСТВИЯ</b>           | <b>93</b> |
| <b>ПОИСК И УСТРАНЕНИЕ НЕИСПРАВНОСТЕЙ</b> | <b>93</b> |
| <b>СЕРВИСНЫЙ ЦЕНТР</b>                   | <b>94</b> |
| <b>ЧИСТКА</b>                            | <b>94</b> |
| <b>ТЕХОБСЛУЖИВАНИЕ</b>                   | <b>95</b> |

## **ВАЖНЫЕ УКАЗАНИЯ ПО БЕЗОПАСНОСТИ**

### **ОЧЕНЬ ВАЖНО СОБЛЮДАТЬ УСЛОВИЯ ВАШЕЙ ЛИЧНОЙ БЕЗОПАСНОСТИ И БЕЗОПАСНОСТИ ДРУГИХ ЛЮДЕЙ**

В данном руководстве и на самом приборе приведены важные указания и символы, касающиеся правил техники безопасности при пользовании прибором. Необходимо всегда следовать этим указаниям и символам.

-  Символ опасности, указывающий на наличие потенциальной опасности для пользователя и других лиц.  
Все сообщения, относящиеся к вопросам соблюдения безопасности, сопровождаются символом «Опасно», а также следующими словами:

#### **ОПАСНО**

**Указание на ситуацию, представляющую опасность; если эта опасность не будет устранена, то она приведет к тяжелым травмам.**

#### **ОСТОРОЖНО**

**Указание на ситуацию, представляющую опасность; если эта опасность не будет устранена, то она может стать причиной тяжелых травм.**

Все указания по безопасности содержат сведения о конкретной возможной опасности и о том, как уменьшить риск травм, повреждений и ударов электрическим током, которые может повлечь за собой неправильное пользование прибором. Необходимо строго соблюдать правила, приведенные ниже:

- Выполняйте все операции по распаковке и установке прибора в защитных перчатках.
- Данная аппаратура обладает большим весом, подъем и перемещение необходимо выполнять силами двух или более лиц во избежание опасных ситуаций или затруднений.
- Перед выполнением любой операции по установке прибора необходимо отключать его от сети.
- Установка и техническое обслуживание должны выполняться техническим специалистом в соответствии с инструкциями производителя и действующими местными нормами безопасности. Пользователям запрещается самостоятельно ремонтировать или заменять любую из деталей прибора, за исключением случаев, конкретно оговоренных в Руководстве.
- Замена кабеля питания должна производиться квалифицированным электриком. В таких случаях обращайтесь в авторизованные сервисные центры.
- Данный прибор должен быть обязательно заземлен в соответствии с действующими нормами.
- Сетевой шнур должен иметь достаточную длину для того, чтобы подключить прибор к электрической сети после его встраивания в кухонную мебель.

- Согласно действующим правилам техники безопасности при установке прибора должен быть использован многополюсный выключатель с зазором между разомкнутыми контактами не менее 3 мм.
- Не используйте многогнездовые переходники, если духовка оснащена кабелем питания с вилкой.
- Не используйте удлинители.
- Не тяните за кабель питания.
- После завершения установки электрические компоненты должны быть недоступны для пользователя.
- Не прикасайтесь к варочной панели влажными руками или другими частями тела и не пользуйтесь ею, будучи разутыми.
- Этот прибор предназначен исключительно для приготовления пищи в бытовых условиях. Запрещается использовать прибор для любых других целей (например, для обогрева помещения). Изготовитель снимает с себя всякую ответственность в случае ненадлежащего использования прибора или неправильной настройки органов управления.
- Во время работы прибор и его доступные части сильно нагреваются. Будьте осторожны, чтобы случайно не коснуться зон нагрева. Не допускайте контакта с прибором очень маленьких (0-3 года) или маленьких (3-8 лет) детей, если они не находятся под постоянным контролем
- Дети старше 8 лет и лица с ограниченными физическими, сенсорными или психическими возможностями, а также не имеющими соответствующего опыта и знаний могут пользоваться настоящим прибором только под контролем или после прохождения инструктажа по безопасному использованию и, если они понимают связанную с этим опасность. Не позволяйте детям играть с прибором. Не допускайте детей к чистке и уходу за прибором без присмотра.
- Не касайтесь нагревательных элементов и внутренних поверхностей прибора при пользовании им, в противном случае возможны ожоги. Следует исключать контакт с тканью или иным воспламеняющимся материалом до тех пор, пока все детали прибора не остынут полностью.
- По окончании приготовления дверцу прибора следует открывать с особой осторожностью: перед тем, как выполнять какие-либо действия, необходимо обеспечить постепенный выход горячего воздуха или пара. При закрытой дверце прибора выход горячего воздуха происходит через отверстие, расположенное над панелью управления. Не перекрывайте вентиляционные отверстия.
- Необходимо пользоваться специальными рукавицами при извлечении из духовки кастрюль и других принадлежностей, следя при этом за тем, чтобы не касаться нагреваемых деталей.

- Не храните огнеопасные материалы в духовке или вблизи нее, т.к. они могут воспламениться при ее случайном включении.
- Нельзя разогревать или готовить продукты в закрытых емкостях. Создаваемое внутри емкости давление может привести к ее взрыву с последующим повреждением самого прибора.
- Нельзя пользоваться емкостями, изготовленными из синтетических материалов.
- Разогретые до высокой температуры жиры и масло могут легко воспламениться. Рекомендуется непрерывно следить за приготовлением блюд с большим количеством масла или жира.
- Не оставляйте прибор без присмотра во время сушки продуктов.
- Если при приготовлении блюда используются спиртные напитки (ром, коньяк, вино и т.д.), следует помнить, что при высокой температуре происходит испарение спирта. В результате возникает опасность того, что при контакте образовавшихся паров спирта с электрическим нагревательным элементом произойдет их воспламенение.
- Никогда не используйте для чистки духовки пароочистители.
- Не касайтесь духовки в процессе выполнения пиролизической очистки. Не допускайте детей к печи во время цикла пиролизической очистки (только для печей с функцией пиролизической очистки).
- Используйте только термощуп, рекомендованный для данной духовки.
- Не используйте жесткие абразивные чистящие материалы и острые металлические скребки для очистки стеклянной дверцы печи, так как они могут поцарапать или повредить стекло.
- Во избежание риска поражения электрическим током убедитесь в том, что прибор выключен перед тем, как приступать к замене лампочки.

## Утилизация старых электробытовых приборов

- Данное изделие изготовлено из материалов, допускающих их переработку или повторное использование. Сдача прибора на слом должна производиться в соответствии с местными правилами утилизации отходов. Перед утилизацией обрежьте кабель питания, чтобы прибор нельзя было больше использовать.
- Более подробную информацию о том, как следует обращаться с бытовыми электроприборами, а также об их сдаче и переработке можно получить в соответствующем местном учреждении, службе сбора бытового мусора или в магазине, в котором было приобретено это изделие.

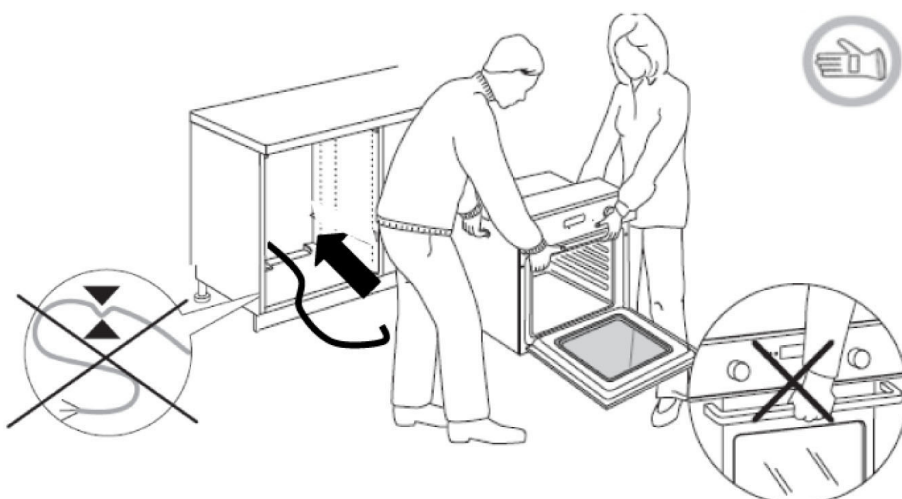
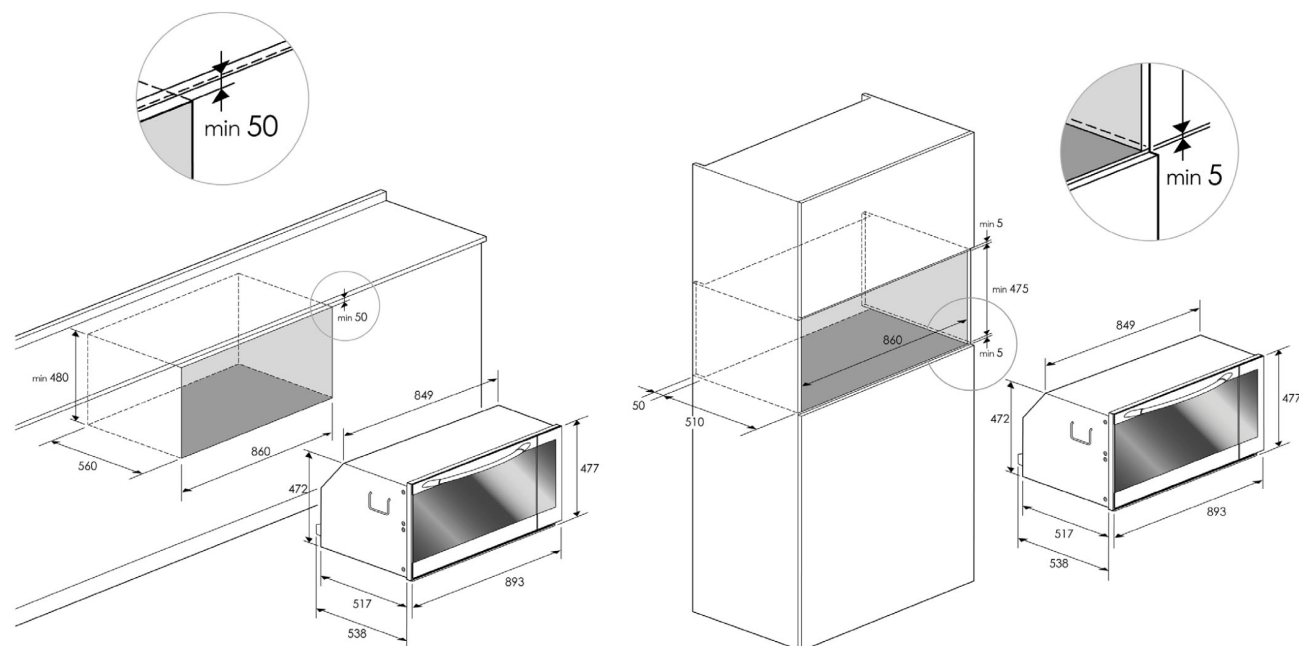
## УСТАНОВКА

После распаковки духовки проверьте ее на отсутствие повреждений, которые могли возникнуть во время транспортировки, и убедитесь, что дверца плотно закрывается.

В случае каких-либо проблем обращайтесь к дилеру или в ближайший сервисный центр. Во избежание повреждений снимайте духовку с основания из полистирола только перед установкой.

## ПОДГОТОВКА НИШИ ДЛЯ ВСТРАИВАНИЯ ПРИБОРА

- Кухонная мебель, находящаяся в непосредственном контакте с духовкой, должна быть устойчива к высоким температурам (не менее 90 °С).
- Прежде чем встраивать духовку, вырежьте необходимое отверстие в кухонной мебели и удалите стружки и опилки.
- После завершения установки доступ к нижней части духовки должен быть невозможен.
- Для того чтобы духовка работала должным образом, зазор между ее верхней панелью и рабочей поверхностью (столешницей) должен всегда оставаться свободным.



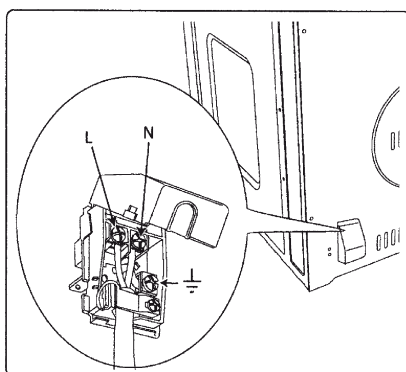


## **ПОДКЛЮЧЕНИЕ К ЭЛЕКТРИЧЕСКОЙ СЕТИ**

Проверьте, чтобы напряжение, указанное на паспортной табличке изделия, соответствовало напряжению сети в вашем доме. Паспортная табличка расположена с передней стороны духовки (она видна при открытой дверце).

- Замена кабеля питания (тип H05 RR-F 3 x 1,5 мм<sup>2</sup>) должна выполняться только квалифицированным электриком. В таких случаях обращайтесь в авторизованные сервисные центры.

| <b>ТИПЫ КАБЕЛЕЙ И МИНИМАЛЬНЫЕ<br/>ДИАМЕТРЫ</b> |
|--|
| <b>H05RR-F 3x1,5 мм<sup>2</sup></b>            |
| <b>H05VV-F 3x1,5 мм<sup>2</sup></b>            |
| <b>H05RN-F 3x1,5 мм<sup>2</sup></b>            |
| <b>H05V2V2-F 3x1,5 мм<sup>2</sup></b>          |



## **УКАЗАНИЯ ОБЩЕГО ХАРАКТЕРА**

### **Перед первым использованием прибора:**

- Удалите защитные картонные прокладки, защитную пленку и этикетки, наклеенные на принадлежности духовки.
- Извлеките принадлежности из духовки и разогрейте ее до максимальной температуры в течение 30 минут, чтобы устранить запах и дым, выделяемые изоляционным материалом и защитной консистентной смазкой.


### **В процессе эксплуатации:**

- Не ставьте тяжелые предметы на дверцу; это может привести к ее повреждению.
- Не опирайтесь на дверцу духовки и не вешайте никаких предметов на ручку дверцы.
- Не закрывайте внутренние поверхности духовки фольгой.
- Никогда не лейте воду в горячую духовку, это может привести к повреждению эмалированного покрытия.
- Не двигайте кастрюли и сковороды по дну духовки, в противном случае можно поцарапать покрытие.
- Следите за тем, чтобы электрические провода других электроприборов, находящихся около духовки, не касались ее нагревающихся частей и не застревали в дверце духовки.
- Не допускайте, чтобы духовка подвергалась воздействию атмосферных агентов.




## СОВЕТЫ ПО ЗАЩИТЕ ОКРУЖАЮЩЕЙ СРЕДЫ

### Утилизация упаковочных материалов

Упаковочный материал допускает 100% вторичную переработку, о чем свидетельствует соответствующий символ . Не следует выбрасывать различные части упаковки вместе с бытовым мусором. Они должны быть переработаны в соответствии с действующими местными нормами.

### Утилизация изделия

- Данное изделие имеет маркировку в соответствии с Европейской директивой 2002/96/EC по утилизации электрического и электронного оборудования (WEEE).
- Обеспечивая правильную утилизацию данного изделия, вы сможете предотвратить потенциальные негативные последствия для окружающей среды и здоровья человека.
- Символ  на самом изделии или на сопроводительной документации указывает, что при утилизации данного изделия с ним нельзя обращаться как с обычными бытовыми отходами. Изделие следует сдавать в соответствующий пункт приемки электрического и электронного оборудования для последующей утилизации.

### Экономия электроэнергии

- Пользуйтесь функцией предварительного нагрева только в том случае, если это указано в таблице рекомендаций по приготовлению блюд или в используемом рецепте.
- Пользуйтесь темными эмалированными формами для выпечки, обеспечивающими эффективное поглощение тепла.

## ДЕКЛАРАЦИЯ СООТВЕТСТВИЯ С €

- Данная духовка предназначена для контакта с пищевыми продуктами и соответствует положениям нормы Европейского Союза (С €) №1935/2004. Прибор разработан, изготовлен и выпущен в продажу в соответствии с требованиями по безопасности Директивы по низковольтному оборудованию 2006/95/CE (заменяющей Директиву 73/23/ЕЕС и последующие изменения), требованиями по защите Директивы по электромагнитной совместимости (ЭМС) 2004/108/CE.

## ПОИСК И УСТРАНЕНИЕ НЕИСПРАВНОСТЕЙ

### Духовка не работает:

- Проверьте наличие напряжения в сети и правильность подключения к ней духовки.
- Выключите и вновь включите духовку, чтобы проверить, устранена ли неполадка.
- Проверьте, задано ли с помощью механического программатора время приготовления пищи или ручной цикл.

**Этот продукт содержит источник света класса энергоэффективности G.**

## СЕРВИСНЫЙ ЦЕНТР

### **Прежде чем обращаться в сервисный центр:**

1. Попробуйте устранить неисправность самостоятельно, следуя указаниям, приведенным в разделе «Поиск и устранение неисправностей».
2. Выключите прибор и включите его снова, чтобы проверить, устранена ли неисправность.

**Если после выполнения вышеописанных действий неисправность устранить не удалось, то обратитесь в ближайший сервисный центр.**

При этом сообщите:

- краткое описание неисправности;
- тип и модель духовки;
- сервисный номер (число после слова «Service» на паспортной табличке, расположенной с правой стороны на внутренней стенке духовки; она видна при открытой дверце духовки). Номер сервисного обслуживания указан также в гарантийной документации;
- ваш полный адрес;
- ваш номер телефона.

**SERVICE** 0000 000 00000



В случае необходимости ремонта обращайтесь в **авторизованный сервисный центр** (сервисный центр гарантирует использование фирменных запасных частей и правильный ремонт прибора).

## ЧИСТКА



### **ОСТОРОЖНО**

- Не пользуйтесь пароочистителями.
- Выполняйте чистку духовки только после того, как она остынет.
- Отсоедините духовку от сети электропитания.

### **Наружная поверхность печи**

**ВНИМАНИЕ:** Не пользуйтесь вызывающими коррозию или абразивными чистящими средствами. При случайном попадании таких средств на поверхность духовки немедленно протрите ее влажной тряпкой.

- Чистите поверхность духовки, протирая ее влажной тряпкой. При сильном загрязнении добавляйте в воду несколько капель моющего средства. Вытрите насухо сухой тряпкой.

### **Внутренние поверхности духовки:**

**ВНИМАНИЕ:** не используйте абразивные губки или металлические скребки. Использование таких средств приводит со временем к повреждению эмалированных покрытий и стекла дверцы.

- После каждого использования необходимо дать духовке остыть и очистить ее (предпочтительнее, пока духовка еще теплая) от следов нагара и пятен, которые могут появляться при пригорании остатков продуктов (например, продуктов с высоким содержанием сахара).
- Пользуйтесь чистящими средствами, предназначенными специально для духовок, и строго придерживайтесь указаний изготовителя.
- Для мытья стекла дверцы духовки пользуйтесь специальными жидкими моющими средствами. Для удобства чистки духовки можно снять дверцу (см. раздел «ТЕХОБСЛУЖИВАНИЕ»).

**Примечание:** в результате длительного приготовления продуктов с высоким содержанием влаги (например, пиццы, овощей и т.п.) на внутренней стороне дверцы и около дверной прокладки может образовываться конденсат. После того как духовка остынет, необходимо вытереть дверцу изнутри, пользуясь тряпкой или губкой.

### **Принадлежности:**

- Сразу же после использования принадлежностей поместите их в воду со средством для мытья посуды; если принадлежности еще горячие, пользуйтесь кухонными рукавицами.
- Остатки пищи легко удалить с помощью щетки или губки.

### **ОСТОРОЖНО**

- Пользуйтесь защитными перчатками.
- Перед проведением нижеописанных операций убедитесь в том, что духовка остыла.
- Отсоедините духовку от сети электропитания.

### **СНЯТИЕ ДВЕРЦЫ**

#### **Снятие дверцы:**

1. Полностью откройте дверцу духовки.
2. Поднимите фиксаторы и нажмите на них до упора (Рис. 1).
3. Закройте дверцу до упора (А), поднимите (В) и поверните (С) так, чтобы снять ее (D) (Рис. 2).

#### **Установка дверцы на место:**

1. Вставьте петли в свои гнезда.
2. Полностью откройте дверцу духовки.
3. Опустите оба фиксатора.
4. Закройте дверцу.

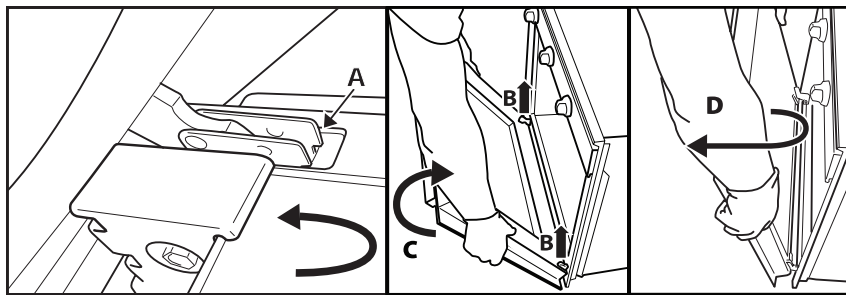


Рис. 1

Рис. 2

#### **Для снятия боковых решеток**

Опускайте или поднимайте решетки, как показано на рис. 3.

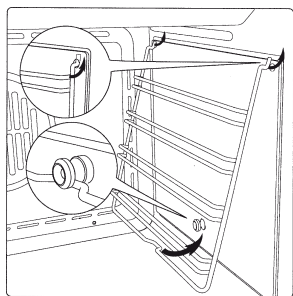


Рис. 3

## **ЗАМЕНА ЛАМПОЧКИ**

**Чтобы заменить две расположенные сзади лампочки (Рис. 4):**

- Отсоедините духовку от сети электропитания.
- Открутите плафон лампочки (Рис. 5), замените лампочку (см. тип лампочки в примечании) и снова закрутите плафон.
- Подключите духовку к сети электропитания.

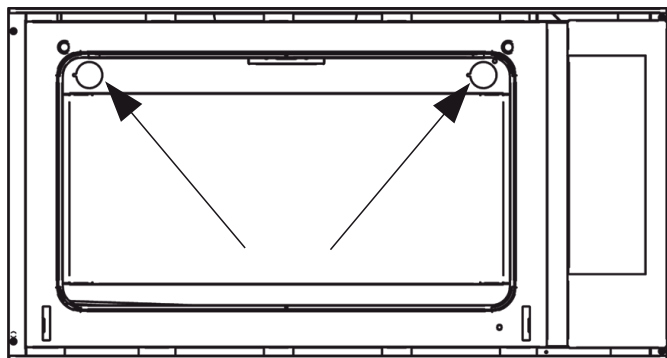


Рис. 4

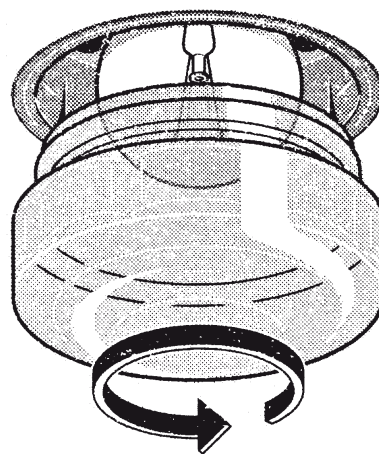


Рис. 5

### **Примечание:**

- Используйте только лампочки накаливания 25 Вт/230 В с цоколем E-14, T 300 °С.
- Лампочка, используемая в данном приборе, специально предназначена для электрических приборов и непригодна для освещения жилых помещений (Регламент Комиссии (ЕС) № 244/2009).
- Лампочки такого типа можно приобрести в наших сервисных центрах.

# ИНСТРУКЦИИ ЗА УПОТРЕБА

|   | Страница   |
|---|------------|
| <b>ВАЖНИ ИНСТРУКЦИИ ЗА БЕЗОПАСНА РАБОТА</b> | <b>98</b>  |
| <b>ИНСТАЛИРАНЕ</b>                          | <b>101</b> |
| <b>ОПАЗВАНЕ НА ОКОЛНАТА СРЕДА</b>           | <b>103</b> |
| <b>ДЕКЛАРАЦИЯ ЗА СЪОТВЕТСТВИЕ</b>           | <b>103</b> |
| <b>ОТСТРАНЯВАНЕ НА НЕИЗПРАВНОСТИ</b>        | <b>103</b> |
| <b>СЕРВИЗ ЗА ПОДДРЪЖКА</b>                  | <b>104</b> |
| <b>ПОЧИСТВАНЕ</b>                           | <b>104</b> |
| <b>ПОДДРЪЖКА</b>                            | <b>105</b> |

## ВАЖНИ ИНСТРУКЦИИ ЗА БЕЗОПАСНА РАБОТА

### ВАШАТА БЕЗОПАСНОСТ И БЕЗОПАСНОСТТА НА ДРУГИТЕ Е ОТ ГОЛЯМО ЗНАЧЕНИЕ

Това ръководство и самият уред предоставят важни предупреждения за безопасност, които трябва да бъдат прочетени и спазвани през цялото време.



Това е символът за опасност, касаещ безопасната употреба, който предупреждава потребителите за потенциални рискове за самите тях и за другите.

Всички предупреждения се предхождат от символа за опасност и следните термини:



#### **ОПАСНОСТ**

Показва опасна ситуация, която, ако не бъде избегната, ще причини сериозно нараняване.



#### **ПРЕДУПРЕЖДЕНИЕ**

Показва опасна ситуация, която, ако не бъде избегната, може да причини сериозно нараняване.

Всички предупреждения дават конкретни подробности за съществуваща потенциална опасност и посочват как да се намали риска от нараняване, нанасяне на щети или токов удар, произтичащи от неправилна употреба на уреда. Спазвайте внимателно следните инструкции:

- Използвайте защитни ръкавици при извършване на операциите по разопаковането и инсталирането.
- Този уред е изключително тежък и следователно той трябва да се повдига и премества от двама или повече души, за да се избегнат всякакви рискове или наранявания.
- Уредът трябва да се изключи от електрическата мрежа преди извършване на каквато и да било работа по инсталирането.
- Инсталирането и поддръжката трябва да се извършва от квалифициран техник, в съответствие с инструкциите на производителя и местни норми за безопасност. Не поправяйте и не заменяйте части от уреда, ако това не е изрично посочено в ръководството на потребителя.
- Смяната на захранващия кабел трябва да се извършва от квалифициран електротехник. Свържете се с оторизиран Сервизен център.
- Заземяването на уреда е задължително по закон.
- Захранващият кабел трябва да бъде достатъчно дълъг, за да позволява свързването на уред, вграден в шкаф, с контакт на мрежата.
- За инсталиране в съответствие с действащите норми за безопасност трябва да се използва многополюсен превключвател с минимално пространство между контактите 3 мм.
- Да не се използват адаптери за многополюсни щепсели, ако фурната е снабдена с щепсел.
- Да не се използват удължители.
- Да не се дърпа захранващия кабел.
- След приключване на инсталирането, електрическите компоненти вече не трябва да са достъпни за потребителя.
- Избягвайте да докосвате уреда с мокра част на тялото и не го използвайте, когато сте боси.

- Този уред е предназначен единствено за използване като домакински уред за готвене на храна. Не е позволен никакъв друг вид употреба (напр.: отопление на помещения). Производителят не носи никаква отговорност за щети, предизвикани от неправилна употреба или погрешно настройване на органите за управление.
- Уредът и неговите достъпни части, могат да се нагорещат по време на употреба. Трябва да се внимава и да се избягва докосването на нагревателите. Пазете много малки (0-3 години) и малки деца (3-8 години) далеч от уреда, освен ако те не се контролират непрекъснато.
- Деца от 8-годишна възраст и по-големи и лица с намалени физически, сензорни и умствени способности или липса на опит и познания, могат да използват този уред сама, ако те са контролирани или инструктирани как да използват безопасно уреда и, ако те осъзнават опасностите, които могат да възникнат. Внимавайте децата да не си играят с уреда. Почистването и поддръжката от страна на потребителя, не трябва да се извършва от деца, оставени без наблюдение.
- По време на употреба и след това, не докосвайте нагревателните елементи или вътрешните повърхности на уреда – опасност от изгаряния. Не допускайте уреда да влезе в контакт с дрехи или други запалими материали, докато всички негови компоненти не са напълно изстинали.
- В края на готвенето бъдете внимателни при отваряне на вратичката на уреда; оставете топлия въздух или парата да излязат постепенно, преди да отворите самата фурна. Когато вратичката на уреда е затворена, горещият въздух излиза от отвора над командното табло. Не покривайте вентилационните отвори.
- Използвайте ръкавици за фурна при изваждане на съдове и принадлежности, като внимавате да не докосвате нагревателните елементи.
- Не поставяйте запалими материали в или в близост до уреда: може да избухне пожар, ако уредът се включи неумишлено.
- Не затопляйте и не гответе храни в запечатани буркани или кутии в уреда. Налягането, което се акумулира вътре в буркана, може да причини избухването му, повреждайки уреда.
- Не използвайте съдове от синтетични материали.
- Прегрети мазнини и олио се възпламеняват лесно. Винаги бъдете бдителни, когато готвите храни с високо съдържание на мазнини и олио.
- Никога не оставяйте уреда без наблюдение по време на сушене на храни.
- Ако използвате алкохолни напитки, когато готвите (напр. ром, коняк, вино), не забравяйте, че при високи температури алкохолът се изпарява. Вследствие на това, съществува опасност от възпламеняване на отделените от алкохола пари при влизане в контакт с електрическия нагревателен елемент.

- Никога не използвайте оборудване, което извършва почистване с пара.
- Не докосвайте фурната по време на цикъла на пиролиза. Пазете децата далеч от фурната по време на цикъла на пиролиза (за фурни с цикъл на пиролиза).
- Използвайте само препоръчителната за тази фурна температурна сонда.
- Не използвайте груби абразивни почистващи препарати или остри метални стъргалки за почистване на стъклото на вратичката на фурната, тъй като те може да надраскат повърхността, което да доведе до напукване на стъклото.
- Уверете се, че уредът е изключен, преди да предприемате смяна на крушката, за да избегнете риск от токов удар.



## Изхвърляне на излезли от употреба домакински уреди

- Този уред е произведен с материали, годни за рециклиране или за повторно използване. Ако решите да изхвърлите уреда, съблюдавайте местните норми за изхвърляне на отпадъци. Преди изхвърляне, отрежете захранващите кабели, така че уредите да не могат да се свързват към мрежата.
- За допълнителна информация относно третирането, оползотворяването и рециклирането на този домакински електроуред, се обърнете към компетентната местната управа, към службата занимаваща се с извозване на домакински отпадъци или магазина, от където сте закупили уреда.

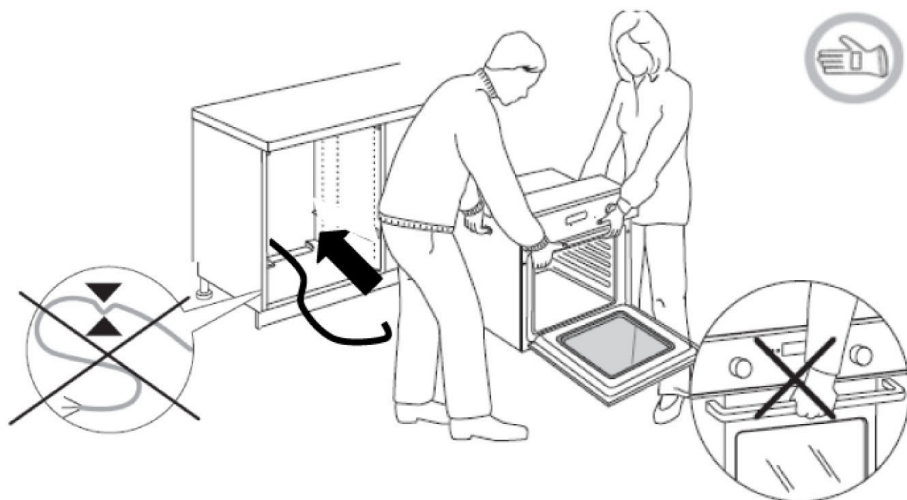
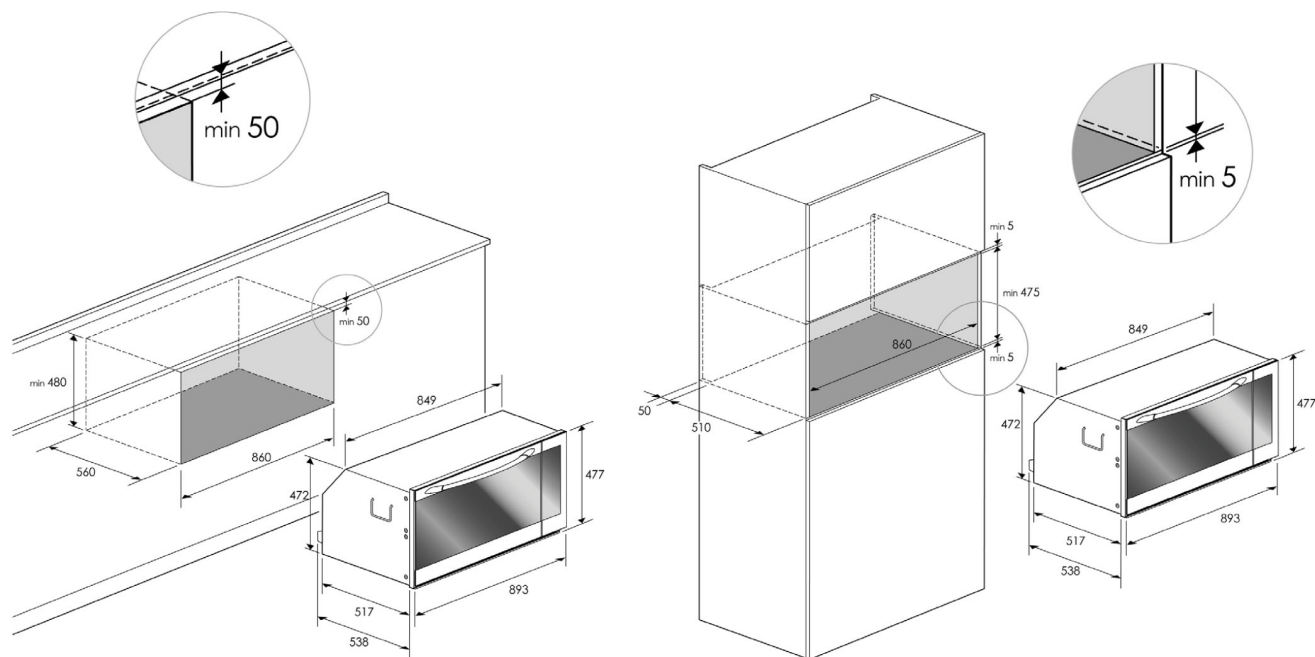
## ИНСТАЛИРАНЕ

След като разопаковате фурната, проверете дали не е повредена при транспортирането и дали вратичката се затваря правилно.

В случай на проблеми се обърнете към доставчика или най-близкия Сервиз за следпродажбено обслужване. За да предотвратите евентуални повреди, е необходимо да свалите фурната от основата ѝ от полистиренова пяна само по време на инсталирането.

## ПОДГОТОВКА НА МЯСТОТО ЗА ВГРАЖДАНЕ

- Шкафовете, които са в директен контакт с фурната, трябва да са устойчиви на топлина (мин. 90°C).
- Извършете всичката работа свързана с рязането на шкафа, преди да поставите фурната в нишата и внимателно отстранете всички дървени отломки и стърготини.
- След инсталирането долната част на фурната не трябва да бъде повече достъпна.
- За правилна работа на уреда, не запушвайте предвиденото минимално пространство между работният плот и горния край на фурната.

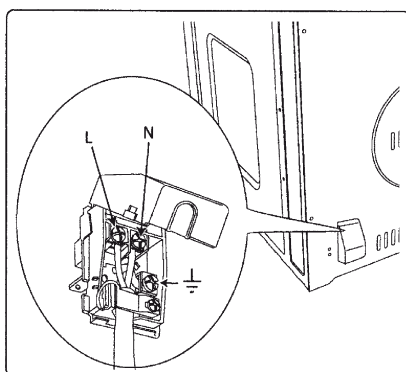


## **СВЪРЗВАНЕ КЪМ ЕЛЕКТРИЧЕСКАТА МРЕЖА**

Уверете се, че захранващото напрежение посочено на табелката с данни на уреда е същото, като напрежението на мрежата. Табелката с данни е поставена на предния край на фурната (видима, когато вратичката е отворена).

- Замяната на захранващия кабел (тип H05 RR-F 3 x 1,5 mm<sup>2</sup>) трябва да се извърши от квалифициран електротехник. Свържете се с оторизиран Сервизен център.

| <b>ВИДОВЕ КАБЕЛИ И МИНИМАЛНИ<br/>ДИАМЕТРИ</b> |
|---|
| <b>H05RR-F 3x1,5 mm<sup>2</sup></b>           |
| <b>H05VV-F 3x1,5 mm<sup>2</sup></b>           |
| <b>H05RN-F 3x1,5 mm<sup>2</sup></b>           |
| <b>H05V2V2-F 3x1,5 mm<sup>2</sup></b>         |



## **ОБЩИ ПРЕПОРЪКИ**

### **Преди употреба:**


- Свалете защитните картони, защитния филм и залепващите етикети от принадлежностите.
- Извадете принадлежностите от фурната и я загрейте до максимална температура в продължение на 30 минути, за да отстраните миризмата и дима от изолиращите материали и защитната смазка.

### **По време на употреба:**


- Не поставяйте тежки предмети на вратичката, тъй като те може да я повредят.
- Не се облягайте за вратичката и не закачайте нищо на дръжката.
- Не покривайте вътрешността на фурната с алуминиево фолио.
- Не наливайте вода във вътрешността на гореща фурна; това може да повреди покритието от емайл.
- Никога не влачете тенджери или тигани по дъното на фурната, тъй като това може да повреди покритието от емайл.
- Уверете се, че електрически кабели на други уреди не влизат в контакт с горещи части на фурната или не се заплитат във вратичката.
- Не излагайте фурната на атмосферни агенти.

## ОПАЗВАНЕ НА ОКОЛНАТА СРЕДА

### **Изхвърляне на опаковъчния материал**

Опаковъчният материал може да се рециклира 100% и е маркиран със символа за рециклиране . Следователно начините на изхвърляне на различните части на опаковката трябва да съответстват напълно на разпоредбите на местните власти, отнасящи се до изхвърлянето на отпадъци.

### **Изхвърляне на изделието**

- Този уред е маркиран в съответствие с Европейската директива 2002/96/ЕО „Отпадъци от електрическо и електронно оборудване“ (WEEE).
- Като осигурите правилното изхвърляне на този продукт, вие ще помогнете да се избегнат възможните отрицателни последствия за околната среда и здравето на хората, които биха възникнали при едно неподходящо третиране на този продукт като отпадък.
- Символът  поставен на изделието или придружаващата документация показва, че това изделие не бива да се третира като битов отпадък, а трябва да се предаде в специализиран събирателен пункт за рециклиране на електрическо и електронно оборудване.

### **Икономия на електроенергия**

- Загривайте предварително фурната, само ако това е указано в таблицата за готвене или във вашите рецепти.
- Използвайте тъмни лакирани или емайлирани форми за печене, тъй като те поглъщат топлината по-добре.

## ДЕКЛАРАЦИЯ ЗА СЪОТВЕТВИЕ

- Тази фурна, която е предназначена за съприкосновение с хранителни продукти, съответства на Европейската нормативна уредба (CE) № 1935/2004 и е проектирана, произведена и продавана в съответствие с изискванията за безопасност на директива „Ниско напрежение“ 2006/95/ЕО (която заменя Директива 73/23/ЕИО и последващите изменения и допълнения), както и изискванията за защита на Директива „EMC“ 2004/108/ЕО.

## ОТСТРАНЯВАНЕ НА НЕИЗПРАВНОСТИ

### **Фурната не работи:**

- Проверете дали има напрежение в мрежата и дали фурната е свързана към електрозахранването.
- Изключете и включете уреда отново, за да видите дали проблемът не е отстранен.
- Уверете се, че механичният програматор е нагласен на време на готвене или ръчно функциониране.

**Този продукт съдържа източник на светлина с клас на енергийна ефективност G.**

## СЕРВИЗ ЗА ПОДДРЪЖКА

### **Преди да се обадете в Сервиза за поддръжка:**

1. Вижте дали сте в състояние да разрешите проблема сами с помощта на предложенията дадени в „Упътване за отстраняване на неизправности“.
2. Изключете уреда и го включете отново, за да видите дали неизправността възниква отново.

**Ако след извършване на горепосочените проверки неизправността все още не е отстранена, свържете се с най-близкия Сервиз за поддръжка.**

Посочете:

- кратко описание на неизправността;
- типа и модела на фурната;
- сервизния номер (числото след думата Service на табелката с данни), разположен на десния ръб на отвора на фурната (вижда се, когато вратичката на фурната е отворена). Сервизният номер е посочен и в гаранционната книжка;
- пълния си адрес;
- телефонния си номер.

**SERVICE** 0000 000 00000



В случай, че е необходимо да се извърши поправка, се обърнете към **оторизиран Сервизен център** (това е гаранция за използването на оригинални резервни части и правилното извършване на поправките).

## ПОЧИСТВАНЕ



### **ПРЕДУПРЕЖДЕНИЕ**

- Не използвайте за почистване машини работещи с пара.
- Почиствайте фурната само, когато тя се окаже хладна при докосване.
- Изключете уреда от електрозахранването.

### **Външна част на фурната**

**ВАЖНО: Да не се използват корозивни или абразивни почистващи препарати. Ако някой от тези продукти влезе случайно в контакт с уреда, почистете незабавно с влажна кърпа.**

- Почистете повърхностите на фурната с влажна кърпа. Ако повърхността е много мръсна, прибавете няколко капки неутрален миялен препарат към водата. Изсушете със суха кърпа.

### **Вътрешност на фурната:**

**ВАЖНО: Не използвайте абразивни гъби или метални стъргалки или тел за търкане. С времето, те могат да разрушат емайлираната повърхност и стъклото на вратичката на фурната.**

- След всяка употреба оставяйте фурната да се охлади и след това я почиствайте, за предпочитане докато е все още топла, за да може да отстраните петната и натрупалите се замърсявания от остатъци от храна (напр. от храна с високо захарно съдържание).
- Използвайте специфични препарати за почистване на фурна и следвайте точно инструкциите на производителя.
- Почистете стъклото на вратичката с подходящ течен препарат за почистване. Вратичката на фурната може се свали, за да се улесни почистването ѝ (вж. ПОДДРЪЖКА).

**Н.В: по време на продължително готвене на храни с високо съдържание на вода (напр. пица, зеленчуци и т.н.), може да се образува кондензат отвътре на вратичката и около уплътнението. Когато фурната е студена, подсушавайте вътрешната страна на вратичката с кърпа или гъба.**

### **Принадлежности:**

- Веднага след употреба на киснетте принадлежности във вода с миялен препарат, като използвате ръкавици за фурна, ако те са все още горещи.
- Остатъците от храна могат да се премахнат лесно, като използвате четка или гъба.



### ПРЕДУПРЕЖДЕНИЕ

- Използвайте защитни ръкавици.
- Уверете се, че фурната е студена, преди извършването на следните операции.
- Изключете уреда от електрозахранването.

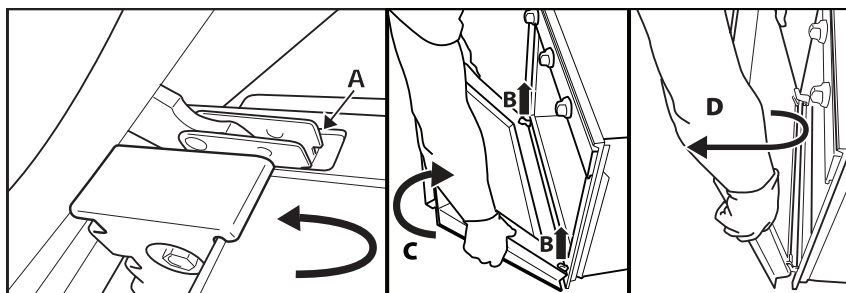
## СВАЛЯНЕ НА ВРАТИЧКАТА

### За да свалите вратичката:

1. Отворете напълно вратичката.
2. Повдигнете застопоряващите елементи и ги избутайте напред, докдето те се движат (Фиг. 1).
3. Затворете вратичката докдето се движи (A), повдигнете я нагоре (B) и я завъртете (C), докато тя се освободи (D) (Фиг. 2).

### За да поставите отново вратичката:

1. Поставете пантите на техните места.
2. Отворете напълно вратичката.
3. Понижете двата застопоряващи елемента.
4. Затворете вратичката.

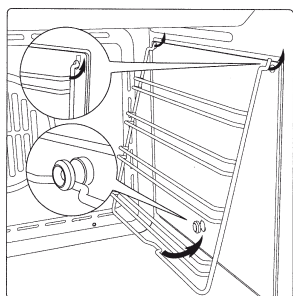


Фиг. 1

Фиг. 2

### За сваляне на плъзгащите се скар

Натиснете надолу скарите и повдигнете така, както е показано на фиг. 3.

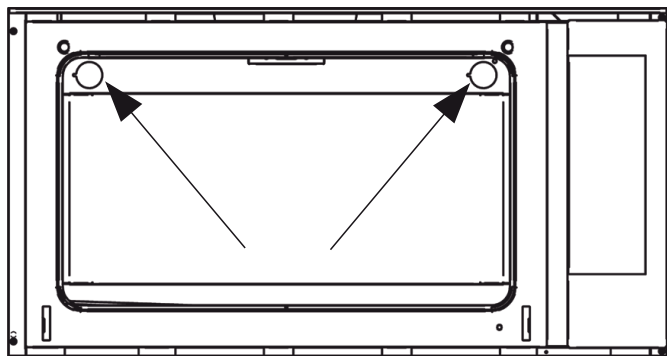


Фиг. 3

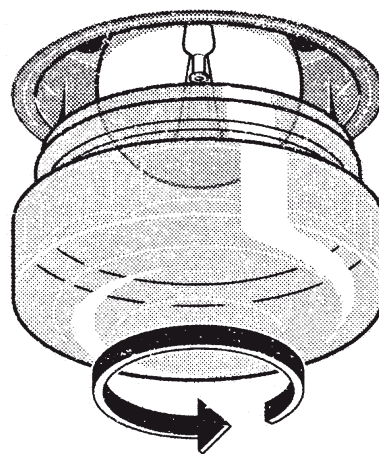
## **СМЯНА НА КРУШКАТА НА ФУРНАТА**

### **За да смените двете задни крушки (фиг. 4):**

- Изключете фурната от електрозахранването.
- Развийте капачето на крушката (Фиг. 5), сменете крушката (вж забележка за типа на крушката) и завийте обратно на място капачето на крушката.
- Свържете отново фурната към електрическата мрежа.



Фиг. 4



Фиг. 5

### **ЗАБЕЛЕЖКА:**

- Използвайте само крушки с нажежаема жичка 25W / 230V тип E14, T300°C.
- Крушката, която се използва в този уред, е предназначена специално за електроуреди и не е подходяща за стайно осветление (Европейска разпоредба (ЕС) № 244/2009).
- Крушките могат да се вземат от нашият Сервиз за поддръжка.


# INSTRUCȚIUNI DE UTILIZARE

|   | Pagină     |
|---|------------|
| <b>INFORMAȚII IMPORTANTE PRIVIND SIGURANȚA</b>            | <b>108</b> |
| <b>INSTALAREA</b>   | <b>110</b> |
| <b>RECOMANDĂRI PENTRU PROTECȚIA MEDIULUI ÎNCONJURĂTOR</b> | <b>112</b> |
| <b>DECLARAȚIE DE CONFORMITATE</b>                         | <b>112</b> |
| <b>GHIDUL DE DETECTARE A DEFECȚIUNILOR</b>                | <b>112</b> |
| <b>SERVICIUL DE ASISTENȚĂ TEHNICĂ</b>                     | <b>113</b> |
| <b>CURĂȚAREA</b>  | <b>113</b> |
| <b>ÎNTREȚINEREA</b>                                       | <b>114</b> |

## INFORMAȚII IMPORTANTE PRIVIND SIGURANȚA

### SIGURANȚA DV. ȘI A CELORLALTE PERSOANE ESTE FOARTE IMPORTANTĂ

Acest manual și aparatul oferă avertizări importante legate de siguranță, care trebuie citite și respectate întotdeauna.

-  Acesta este simbolul de pericol, referitor la siguranță, care vă avertizează despre riscurile potențiale pentru utilizator și pentru ceilalți.  
Toate avertizările referitoare la siguranță sunt precedate de simbolul pentru pericol și de următorii termeni:

#### PERICOL

Indică o situație periculoasă care, dacă nu este evitată, va cauza leziuni grave.

#### AVERTIZARE

Indică o situație periculoasă care, dacă nu este evitată, ar putea cauza leziuni grave.

Toate avertizările privind siguranța oferă detalii specifice despre riscul potențial existent și indică ce este de făcut pentru a reduce riscul de rănire, de deteriorare și de șoc electric, care pot rezulta din folosirea improprie a aparatului. Respectați cu strictețe următoarele instrucțiuni:

- Utilizați mănuși de protecție la efectuarea tuturor operațiilor de despachetare și instalare.
- Acest aparat are o greutate excesivă, de aceea ridicarea și deplasarea sa trebuie efectuate de două sau mai multe persoane, pentru a evita orice fel de riscuri sau leziuni.
- Aparatul trebuie să fie deconectat de la rețeaua electrică înainte de a efectua orice operație de instalare.
- Instalarea și întreținerea trebuie să fie efectuate de către un tehnician calificat, în conformitate cu instrucțiunile fabricantului și cu normele locale referitoare la siguranță. Nu reparați și nu înlocuiți nicio piesă a aparatului, dacă acest lucru nu este indicat în mod expres în manualul de utilizare.
- Înlocuirea cablului de alimentare trebuie să fie efectuată de un electrician calificat. Contactați un Serviciu de Asistență autorizat.
- Normele în vigoare impun ca aparatul să fie împământat.
- Cablul de alimentare trebuie să fie suficient de lung pentru a putea conecta aparatul la priză, după ce a fost încorporat în mobilă.
- Pentru ca instalarea să fie conformă cu normele curente referitoare la siguranță, trebuie să se folosească un întrerupător multipolar cu o distanță minimă între contacte de 3 mm.
- Nu utilizați adaptoare cu prize multiple în cazul în care cuptorul este echipat cu un ștecher.
- Nu folosiți prelungitoare.
- Nu trageți de cablul de alimentare.
- După terminarea instalării, componentele electrice nu trebuie să mai fie accesibile pentru utilizator.
- Nu atingeți aparatul când aveți părți ale corpului umede și nu-l utilizați când sunteți desculți.
- Acest aparat este proiectat în exclusivitate pentru a fi folosit drept aparat



electrocasnic, pentru gătitul alimentelor. Orice altă utilizare este interzisă (de ex.: încălzirea încăperilor). Producătorul nu-și asumă nicio responsabilitate pentru folosirea improprie sau pentru reglarea incorectă a butoanelor.

- Aparatul și părțile sale accesibile se înfierbântă în timpul utilizării. Trebuie avut grijă pentru a evita atingerea elementelor fierbinți. Copiii foarte mici (0-3 ani) și copiii mici (3-8 ani) vor fi ținuti la distanță, cu excepția cazului în care sunt supravegheați în mod continuu
- Acest aparat poate fi utilizat de copii mai mari de 8 ani și de persoane cu capacități fizice, senzoriale sau mentale reduse, sau fără experiența și cunoștințele necesare, numai dacă sunt supravegheați sau au fost instruiți cu privire la utilizarea aparatului în mod sigur și au înțeles pericolele posibile. Copiii nu trebuie să se joace cu aparatul. Curățarea și întreținerea de către utilizator nu trebuie lăsate pe seama unor copii nesupravegheați.
- În timpul utilizării și după aceea, nu atingeți rezistențele sau suprafețele interne ale aparatului, deoarece pot provoca arsuri. Aveți grijă ca aparatul să nu vină în contact cu cârpe sau cu alte materiale inflamabile până când nu s-au răcit complet toate componentele.
- Când ați terminat de gătit, aveți grijă când deschideți ușa aparatului, lăsând aerul fierbinte sau aburii să iasă treptat, înainte de a umbla în cuptor. Când ușa aparatului este închisă, aerul fierbinte este evacuat prin orificiul de deasupra panoului de comandă. Nu blocați orificiile de ventilare.
- Folosiți mănuși de bucătărie pentru a scoate tăvile și accesoriile, având grijă să nu atingeți rezistențele.
- Nu puneți materiale inflamabile în aparat sau în apropierea sa: poate izbucni un incendiu, dacă se pornește aparatul din greșeală.
- Nu încălziți și nu gătiți în aparat alimente în borcane sau în recipiente sigilate. Presiunea care se dezvoltă în interior poate duce la explozia borcanului, deteriorând aparatul.
- Nu folosiți recipiente fabricate din materiale sintetice.
- Grăsimile și uleiurile supraîncălzite se aprind ușor. Supravegheați permanent alimentele când gătiți cu mult ulei și grăsime.
- Nu lăsați niciodată aparatul nesupravegheat în timpul uscării alimentelor.
- Dacă folosiți băuturi alcoolice când gătiți (de ex. rom, coniac, vin), rețineți că alcoolul se evaporă la temperaturi ridicate. Prin urmare, există riscul ca vaporii emanați de alcool să ia foc atunci când vin în contact cu rezistența electrică.
- Nu folosiți niciodată aparate de curățat cu aburi.
- Nu atingeți cuptorul în timpul ciclului de piroliză. Nu trebuie lăsat la îndemâna copiilor în timpul ciclului de piroliză (doar pentru cuptoarele cu funcția Pyrolysis).
- Folosiți doar sonda de temperatură recomandată pentru acest cuptor.
- Nu folosiți curățătoare abrazive dure sau răzuitoare metalice ascuțite pentru a curăța ușa de sticlă a cuptorului, deoarece acestea pot zgâria suprafața, ceea ce poate avea ca rezultat spargerea sticlei.
- Asigurați-va că aparatul este oprit înaintea înlocuirii becului, pentru a evita posibilitatea electrocutării.

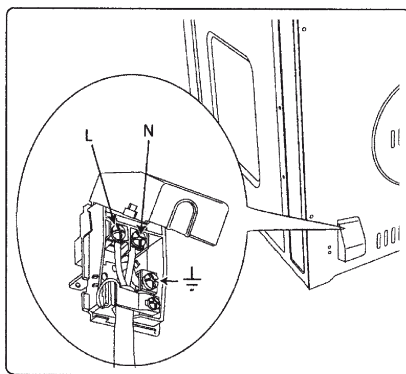


## **RACORDAREA LA ELECTRICITATE**

Asigurați-vă că tensiunea electrică indicată pe plăcuța cu datele tehnice ale aparatului corespunde cu tensiunea din rețea. Plăcuța cu datele tehnice se află pe marginea frontală a cuptorului (se vede când ușa este deschisă).

- Înlocuirea cablului de alimentare (tip H05 RR-F 3 x 1,5 mm<sup>2</sup>) trebuie să fie efectuată numai de un electrician calificat. Contactați un Serviciu de Asistență autorizat.

| <b>TIPURI DE CABLURI ȘI DIAMETRE MINIME</b> |
|---|
| <b>H05RR-F 3x1,5 mm<sup>2</sup></b>         |
| <b>H05VV-F 3x1,5 mm<sup>2</sup></b>         |
| <b>H05RN-F 3x1,5 mm<sup>2</sup></b>         |
| <b>H05V2V2-F 3x1,5 mm<sup>2</sup></b>       |



## **RECOMANDĂRI GENERALE**

### **Înainte de utilizare:**


- Scoateți elementele de protecție din carton, peliculele de protecție și etichetele adezive de pe accesorii.
- Scoateți accesoriile din cuptor și încălziți-l la temperatura maximă timp de 30 de minute, pentru a elimina mirosul și fumul materialelor izolatoare și al unsorii protectoare.

### **În timpul utilizării:**


- Nu puneți obiecte grele pe ușă, deoarece o pot deteriora.
- Nu vă sprijiniți pe ușă și nu atârnați nimic de mânerul ușii.
- Nu acoperiți interiorul cuptorului cu folie de aluminiu.
- Nu turnați apă în cuptorul încins; stratul de email s-ar putea deteriora.
- Nu târâți oale sau tăvi pe fundul cuptorului, deoarece se poate deteriora stratul de email.
- Asigurați-vă că firele electrice ale altor aparate nu ating părțile fierbinți ale cuptorului și nu se pot prinde în ușa acestuia.
- Nu expuneți cuptorul la agenți atmosferici.

## RECOMANDĂRI PENTRU PROTECȚIA MEDIULUI ÎNCONJURĂTOR

### **Reciclarea ambalajului**

Materialul ambalajului este reciclabil 100% și este marcat cu simbolul de reciclare . Diferitele componente ale ambalajului trebuie eliminate în mod responsabil, respectând reglementările autorităților locale privind eliminarea deșeurilor.

### **Aruncarea la gunoi a produsului**

- Acest aparat este marcat în conformitate cu Directiva Europeană 2002/96/CE, Deșeurile de echipamente electrice și electronice (WEEE).
- Asigurându-vă că acest produs este eliminat în mod corect, contribuiți la prevenirea potențialelor consecințe negative asupra mediului înconjurător și sănătății persoanelor, consecințe care ar putea fi provocate de aruncarea necorespunzătoare la gunoi a acestui produs.
- Simbolul  de pe produs sau de pe documentele care îl însoțesc indică faptul că acesta nu poate fi aruncat împreună cu deșeurile menajere, ci trebuie predat la punctul de colectare corespunzător, pentru reciclarea echipamentelor electrice și electronice.

### **Economisirea energiei**

- Preîncălziți cuptorul numai dacă așa se specifică în tabelul de coacere sau în rețeta dv.
- Folosiți tăvi de copt închise la culoare, lăcuite sau emailate, pentru că absorb căldura mai bine.

## DECLARAȚIE DE CONFORMITATE

- Acest cuptor, care este proiectat pentru a veni în contact cu produse alimentare, este conform cu Norma Europeană (CE) nr. 1935/2004 și a fost proiectat, construit și comercializat în conformitate cu obiectivele de siguranță din Directiva „Joasă Tensiune” 2006/95/CE (care înlocuiește directiva 73/23/CEE și amendamentele succesive), cerințele de siguranță din Directiva „EMC” 2004/108/CE.

## GHIDUL DE DETECTARE A DEFECȚIUNILOR

### **Cuptorul nu funcționează:**

- Verificați să nu fie întrerupt curentul electric, iar cuptorul să fie conectat la rețeaua electrică.
- Opriți cuptorul și apoi porniți-l din nou, pentru a vedea dacă defecțiunea persistă.
- Verificați ca dispozitivul de programare mecanic să fi fost setat pe durata de coacere sau pe funcționarea manuală.

**Acest produs conține o sursă de lumină de clasă de eficiență energetică G.**

## SERVICIUL DE ASISTENȚĂ TEHNICĂ

### Înainte de a contacta Serviciul de Asistență Tehnică:

1. Vedeți dacă puteți rezolva singuri problema, cu ajutorul recomandărilor din „Ghidul de detectare a defecțiunilor”.
2. Opriti și puneți din nou în funcțiune aparatul pentru a vedea dacă problema persistă.

**Dacă problema persistă și după controalele menționate, contactați Serviciul de Asistență cel mai apropiat.**

Indicați întotdeauna:

- o scurtă descriere a defecțiunii;
- tipul și modelul exact al cuptorului;
- numărul de asistență (numărul care se găsește după cuvântul „Service” pe plăcuța cu datele tehnice), situat pe marginea din dreapta, în interiorul cuptorului (e vizibil când ușa cuptorului este deschisă). Numărul de service este indicat, de asemenea, în foaia de garanție;
- adresa dv. completă;
- numărul dv. de telefon.

**SERVICE** 0000 000 00000



În eventualitatea în care cuptorul trebuie reparat, contactați un **Serviciu de Asistență Tehnică autorizat** (pentru a fi siguri că se vor folosi piese de schimb originale și că reparația se va executa corect).

## CURĂȚAREA



### AVERTIZARE

- Nu utilizați aparate de curățat cu abur.
- Curățați cuptorul numai când este rece și poate fi atins.
- Deconectați aparatul de la sursa de alimentare.

### Exteriorul cuptorului

**IMPORTANT: Nu folosiți detergenți corozivi sau abrazivi. Dacă, din greșală, un asemenea produs intră în contact cu aparatul, curățați-l imediat cu o cârpă umedă.**

- Curățați suprafețele cu o cârpă umedă. Dacă sunt foarte murdare, adăugați în apă câteva picături de detergent pentru vase. Ștergeți cu o cârpă uscată.

### Interiorul cuptorului:

**Important: nu folosiți bureți abrazivi sau de sârmă, sau răzuitoare metalice. Cu timpul, utilizarea lor poate duce la deteriorarea suprafețelor emailate și a sticlei ușii cuptorului.**

- După fiecare utilizare, lăsați cuptorul să se răcească, apoi curățați-l, de preferat când încă este cald, pentru a înlătura murdăria depusă și petele cauzate de resturile de mâncare (de ex. alimente cu conținut ridicat de zahăr).
- Folosiți detergenți specifici pentru curățarea cuptorului și urmați cu strictețe instrucțiunile producătorului.
- Curățați geamul ușii cu un detergent lichid adecvat. Ușa cuptorului poate fi scoasă pentru a facilita curățarea (vezi ÎNTREȚINEREA).

**NOTĂ: pe durata coacerii prelungite a alimentelor cu un conținut ridicat de apă (de exemplu pizza, legume, etc.) se poate forma condens pe interiorul ușii și în jurul garniturii. După ce cuptorul s-a răcit, uscați interiorul ușii cu o cârpă sau cu un burete.**

### Accesoriile:

- Puneți accesoriile la înmuiat în apă cu detergent pentru vase, imediat după utilizare, mânuindu-le cu mănuși de bucătărie, dacă sunt încă fierbinți.
- Resturile de mâncare se pot îndepărta ușor cu o perie sau cu un burete.



### AVERTIZARE

- Folosiți mănuși de protecție.
- Asigurați-vă că s-a răcit cuptorul înainte de a efectua următoarele operațiuni.
- Deconectați aparatul de la sursa de alimentare.

### SCOATEREA UȘII

#### Pentru a scoate ușa:

1. Deschideți ușa în întregime.
2. Ridicați cele două dispozitive de oprire și împingeți-le în față până când se opresc (Fig. 1).
3. Închideți ușa cât mai mult (A), ridicați-o (B) și rotiți-o (C) până când se deblochează (D) (Fig. 2).

#### Pentru a monta la loc ușa:

1. Introduceți balamalele în locașurile lor.
2. Deschideți ușa în întregime.
3. Coborâți cele două dispozitive de oprire.
4. Închideți ușa.

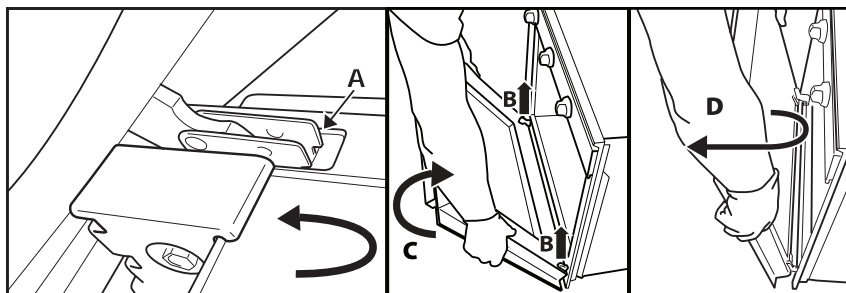


Fig. 1

Fig. 2

#### Pentru a demonta grătarele laterale

Apăsați grătarele și ridicați-le așa cum se prezintă în figura 3.

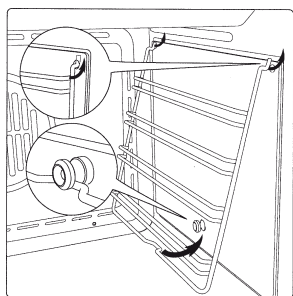


Fig. 3

## **ÎNLOCUIREA BECULUI CUPTORULUI**

### **Pentru a înlocui cele două becuri spate (fig. 4):**

- Deconectați cuptorul de la rețeaua electrică.
- Deșurubați capacul becului (fig. 5), înlocuiți becul (vezi nota despre tipul becului) și înșurubați la loc capacul becului.
- Conectați din nou aparatul la rețeaua electrică.

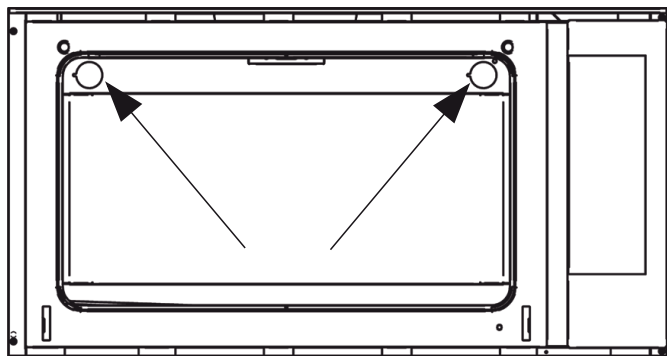


Fig. 4

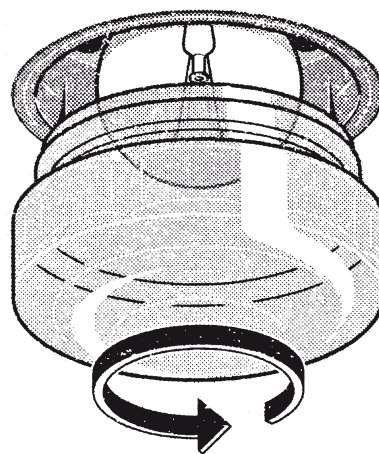


Fig. 5

### **Atenție:**

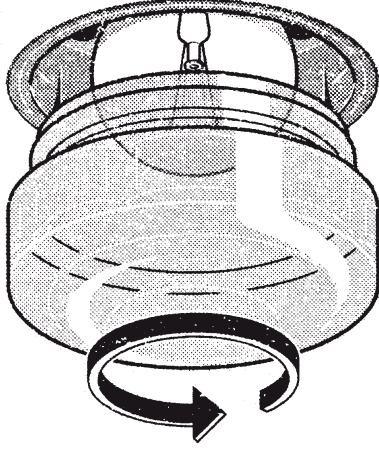
- Utilizați numai becuri cu incandescență de 25W / 230V tipul E14, T300°C.
- Becul utilizat în aparat este special proiectat pentru aparate electrice și nu este potrivit pentru iluminarea casnică a încăperilor (Regulamentul Comisiei (CE) Nr. 244/2009).
- Becurile sunt disponibile la Serviciul nostru de Asistență.



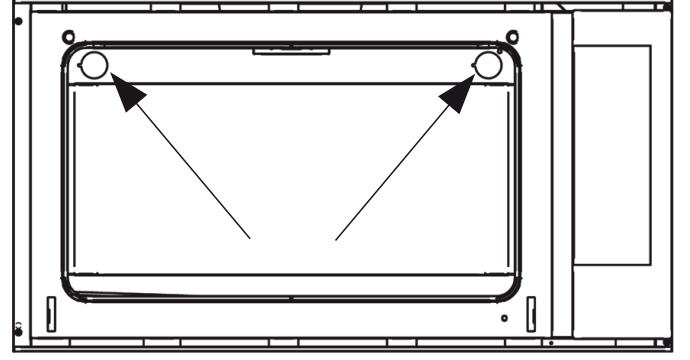
## استبدال مصباح الفرن

لاستبدال المصابيح الخلفيين (الشكل 4):

- افصل الفرن عن مصدر التيار.
- فك غطاء المصباح (الشكل 5)، واستبدل المصباح (انظر الملاحظة الخاصة بنوع المصباح) وأعد ربط غطاء المصباح.
- أعد توصيل الفرن بمصدر التيار.



الشكل 5



الشكل 4

### ملاحظة

- استخدم فقط مصابيح ساطعة 25 وات / 230 ف من النوع E-14، درجة حرارة 300°م.
- اللبنة المستخدمة في الجهاز مصممة خصيصا للأجهزة الكهربائية وليست ملائمة للاستخدام في إضاءة الغرف المنزلية (لائحة المفوضية (EC) رقم 244/2009).
- المصابيح متوفرة لدى خدمة ما بعد البيع.





- استخدم قفازات الأمان.
- تأكد أن الفرن بارد قبل القيام بالعمليات التالية.
- افصل الجهاز عن مصدر التيار الكهربائي.

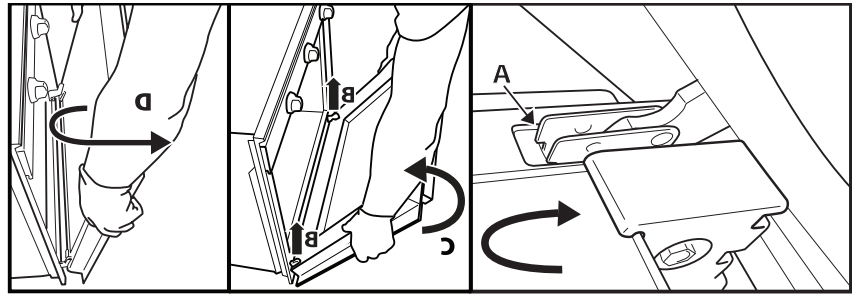
### خلع الباب

#### لخلع الباب:

1. افتح الباب حتى آخره.
2. ارفع السقاطتين (المفصلات) وادفعهما حتى آخرهما (الشكل 1).
3. أغلق الباب حتى آخره (A)، ارفعه لأعلى، ولفه حتى يتم تحريره (D) (الشكل 2).

#### لإعادة تركيب الباب:

1. أدخل السقاطات في أماكنها.
2. افتح الباب حتى آخره.
3. اخفض السقاطتين.
4. أغلق الباب.

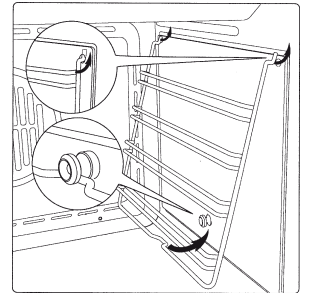


الشكل 2

الشكل 1

#### أخرج الشوايات الجانبية

اضغط الشبكات لأسفل ثم ارفعها كما هو مبين في الشكل 3.



شكل 3

### قبل الإتصال بمركز خدمة ما بعد البيع:

1. حاول أن تحل المشكلة بنفسك بمساعدة المقترحات الموجودة في "دليل حل المشكلات".
  2. قم بتعطيل الجهاز ثم شغله مرة أخرى للتأكد من أن العطل ما زال قائماً.
- إذا استمر حدوث الخلل بعد هذه الفحوصات اتصل بأقرب مركز لخدمة ما بعد البيع الرجاء تقديم التالي:

- وصف مختصر للعطل؛
- نوع وموديل الجهاز بدقة؛
- رقم الصيانة والإصلاحات الفنية (هو العدد الموجود بعد كلمة "الخدمة") على بطاقة المواصفات الفنية الموجودة في الجانب الداخلي الأيمن للمدخل (يمكن مشاهدته عندما يكون الباب مفتوحاً) رقم الصيانة والإصلاحات الفنية موجود أيضاً على كتيب الضمان
- عنوانك الكامل؛
- رقم هاتفك

SERVICE 0000 000 00000



إذا لزم الأمر إجراء أي إصلاحات فبرجاء الإتصال بمركز معتمد لخدمة ما بعد البيع (لضمان أنه سيتم استخدام قطع الغيار الأصلية وأن الإصلاحات ستتم بشكل سليم).

## التنظيف

- لا تستخدم منظفات البخار.
- قم فقط بتنظيف الفرن عندما يكون بارداً عند ملامسته.
- افصل الجهاز عن مصدر التيار الكهربائي.



### الفرن من الخارج

- هام: لا تستخدم منظفات خادشة أو حاكة. إذا حدث أن أي منتج من هذه المنتجات لامس الجهاز بطريق عرضية، نظفه على الفور بقطعة قماش مبللة.
- نظف الأسطح باستخدام قطعة قماش مبللة. إذا كان الفرن متسخاً جداً، أضف بضع قطرات من منظف محايد إلى الماء. جفف بواسطة قطعة قماش جافة.

### الفرن من الداخل:

- هام: لا تستخدم قطعاً إسفنجية خادشة أو منظفات كاشطات معدنية. بمرور الوقت قد تتسبب في إتلاف الأسطح المطلية وزجاج باب الفرن.
- بعد كل استخدام، اترك الفرن حتى يبرد ثم نظفه جيداً وهو دافئ لكي تزيل الأوساخ والبقع المتراكمة بسبب بقايا الطعام (مثل الطعام الذي يحتوي على كمية كبيرة من السكر).
  - استخدم منظفات الأفران المخصصة التي ينصح بها المصنع واتبع تعليماته حرفياً.
  - نظف زجاج الفرن الباب باستخدام منظف سائل مناسب. يمكن خلع باب الفرن لتسهيل عملية التنظيف (انظر الصيانة).
- ملاحظ هام: أثناء الطهي لمدة طويلة للأطعمة التي تحتوي على كمية كبيرة من الماء (مثل البتزا والخضراوات... الخ) قد يتكون التكثف على الباب من الداخل وحول مانع التسرب. عندما يكون الفرن بارداً جفف الباب من الداخل باستخدام قطعة قماش أو قطعة إسفنج.


### الملحقات:

- انقع الملحقات في الماء بمنظف غسيل على الفور بعد الاستعمال، مع استخدام قفازات الفرن إذا كان الفرن لا يزال ساخناً.
- يمكن إزالة بقايا الطعام بسهولة باستخدام فرشاة أو قطعة إسفنج

### التخلص من مواد التغليف

المادة المستخدمة لتغليف الفرن يمكن إعادة استخدامها 100 بالمائة، وهي تحمل رمز إعادة التدوير (♻️). لهذا يجب التخلص من أجزاء التغليف المختلفة بطريقة مسؤولة، وضرورة مراعاة التامة للوائح السلطات المحلية التي تنظم التخلص من القمامة

### التخلص من المنتج

- هذا الجهاز تم تمييزه وفقاً للنشرة الأوروبية EC/2002/96 بشأن مخلفات الأجهزة الكهربائية والإلكترونية (WEEE).
- من خلال التخلص من هذا من هذا المنتج بالطريقة الصحيحة، سوف تساعد في منع النتائج السلبية المحتملة التي تضر بالبيئة وصحة الإنسان، والتي قد تنتج بسبب التعامل غير الصحيح مع مخلفات هذا المنتج.
- يشير الرمز  الموجود على المنتج أو المستندات المرفقة إلى أن هذا المنتج يجب عدم التعامل معه على أنه ضمن المخلفات المنزلية، ولكن يجب أخذه إلى نقطة تجميع مناسبة خاصة بإعادة تدوير الأجهزة الكهربائية والإلكترونية

### توفير الطاقة

- قم فقط بتسخين الفرن تسخيناً مسبقاً إذا كان ذلك محددًا في جدول الطهي أو وصفة الطهي.
- استخدم قوالب الخبيز السوداء أو المطلية باللون الأسود لأنها تمتص الحرارة بشكل أفضل.

### إعلان التوافق (C E)

- هذا الفرن المخصص لملاسة لأطعمة، متوافق مع اللائحة الأوروبية (C E) رقم 1935/2004 وتم تصميمه وتصنيعه وبيعه بما يتوافق مع اشتراطات السلامة لنشرة "الفولتية المنخفضة" CE/2006/95 (التي تحل محل النشرة CEE/73/23 وتعديلاتها اللاحقة) واشتراطات الحماية لنشرة EMC 68/93/CE.

### دليل تحري الأعطال

#### الفرن لا يشتغل:

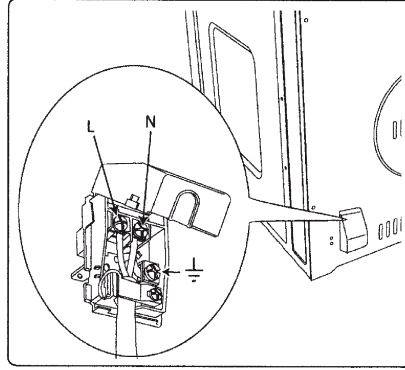
- تأكد من وجود مصدر التيار الكهربائي، وأن الفرن موصل بمصدر التيار الكهربائي
- أطفئ الفرن وأعد تشغيله لكي ترى ما إذا كان العطل مازال موجوداً
- تثبت هل المبرمج الميكانيكي لم يتم وضعه على مدة الطبخ اليدوي أو التشغيل اليدوي

## التوصيل بالتيار الكهربائي

تأكد أن فولتية الطاقة المحددة على لوحة معايرة الجهاز هي نفس فولتية الطاقة الرئيسية. لوحة البيانات موجودة على الحافة الأمامية للفرن (تكون مرئية عند فتح الباب).

- يجب استبدال كبل الطاقة (من النوع H05 RR-F 3 × 1.5 م<sup>2</sup>) بواسطة فني كهربائي متخصص. اتصل بمركز الخدمة المعتمد.

| أنواع الكابلات والحدود الدنيا للقطر |
|-------------------------------------|
| H05RR-F 3x1,5 ملم <sup>2</sup>      |
| H05VV-F 3x1,5 ملم <sup>2</sup>      |
| H05RN-F 3x1,5 ملم <sup>2</sup>      |
| H05V2V2-F 3x1,5 ملم <sup>2</sup>    |



## توصيات عامة

### قبل الاستخدام:

- انزع قطع الحماية المصنوعة من الورق المقوى والغشاء الواقي والبطاقات اللاصقة من الملحقات.
- اخلع الملحقات من الفرن وسخنها على أقصى درجة حرارة لمدة ساعة تقريباً للتخلص من الرائحة والأبخرة الناتجة عن مواد العزل والشحوم الواقية.

### أثناء الاستخدام:

- لا تضع أي أشياء ثقيلة على الباب لأنها قد تتلفه.
- لا تتعلق بالباب أو تتعلق أي شيء من المقبض.
- لا تغطي الفرن من الداخل بورق الألمنيوم.
- لا تصب الماء على جانب الفرن الساخن؛ يمكن أن يتلف هذا طلاء المينا.
- لا تسحب الأواني أو أدوات الطهي على الفرن من أسفل لأن ذلك قد يؤدي إلى إتلاف طبقة الطلاء.
- يجب التأكد من أن الكابلات الكهربائية للأجهزة الأخرى الموجودة قرب مساحة الفرن لا تلامس الأجزاء الساخنة ولا ينغلق عليها باب الفرن.
- لا تعرض الفرن للعوامل الجوية.

## التخلص من الأجهزة المنزلية

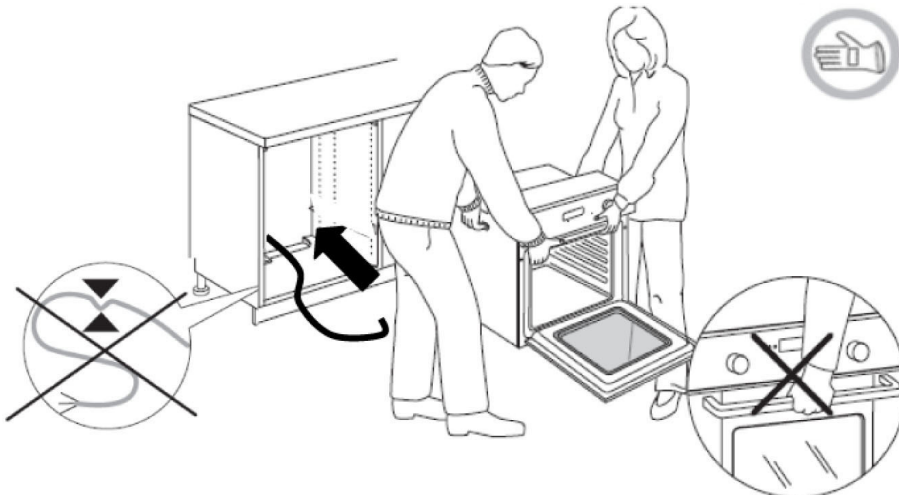
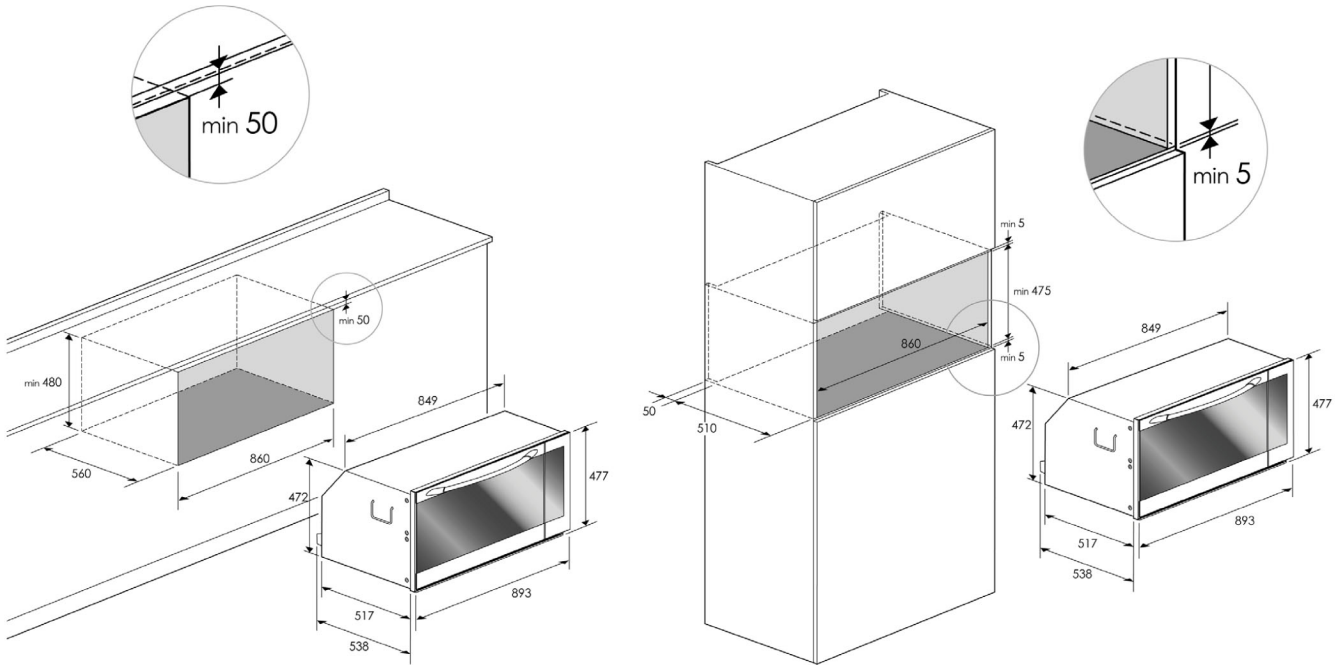
- تم تصنيع الجهاز من مواد يمكن إعادة تدويرها أو إعادة استخدامها. يجب التخلص منه طبقاً للقوانين المحلية لإزالة النفايات قبل الترخيد، افصل أسلاك الكهرباء بحيث لا يمكن توصيل الجهاز بالتيار الكهربائي.
- لمزيد من التفاصيل عن معالجة واسترداد وإعادة تدوير الأجهزة الكهربائية المنزلية، يرجى الاتصال بالجهة المحلية المختصة أو مركز خدمة التخلص من المخلفات المنزلية أو المحل الذي اشتريته منه الجهاز.

## التركيب

فك الفرن من التغليف للتأكد من عدم تعرضه للتلف أثناء النقل، وأن باب الفرن يغلق بإحكام إذا كانت هناك أي مشكلات، اتصل بالموزع أو بأقرب خدمة لما بعد البيع. لتجنب تلف لا تخرج الفرن من قاعدة الفوم المصنوعة من البوليسترين إلا عند التركيب.

## تجهيز وحدة التثبيت

- وحدات المطبخ المتصلة بالفرن يجب أن تكون مقاومة للحرارة (90 م بحد أدنى).
- قم بإجراء جميع أعمال قطع الخزانة قبل تركيب الفرن في المكان المخصص له وإزالة جميع شرائح الخشب ونشارة الخشب.
- بعد التركيب، يجب أن يكون من الصعب الوصول إلى الفرن.
- لتشغيل الجهاز بالطريقة الصحيحة لا تسد فجوة الحد الأدنى التي بين سطح العمل والحافة العلوية للفرن.



- لا تلمس عناصر التسخين أو الأسطح الداخلية للجهاز أثناء الاستخدام وبعده لتجنب خطر الإحتراق.
- لا تسمح للجهاز بلامسة الملابس أو المواد الأخرى القابلة للاشتعال حتى تبرد جميع الأجزاء نهائياً.
- في نهاية عملية الطهي توخى الحذر حين فتح باب الجهاز للسماح للهواء الساخن أو البخار بالخروج تدريجياً قبل التعامل مع الفرن. حين غلق باب الجهاز، يتم صرف الهواء الساخن من فتحة موجودة أعلى لوحة التحكم. لا تقم بسد فتحات التهوية.
- استخدم قفازات الفرن لإزالة الأوعية والملحقات، مع الحرص على عدم لمس عناصر التسخين.
- لا تضع مواد القابلة للاشتعال في الجهاز أو بالقرب منه: قد يندلع حريق في حالة تشغيل الجهاز عن طريق الخطأ.
- لا تقم بتسخين أو طهي البرطمانات أو الأواني المقفلة في الجهاز. الضغط الذي يتراكم بالداخل قد يتسبب في انفجار الزجاج ويتلف الجهاز.
- لا تستخدم الأواني المصنوعة من مواد صناعية.
- الزيوت والدهون الساخنة جداً قد تشتعل فيها النار بسهولة. يجب أن تبقى منتبهاً دائماً عند طهي الأطعمة الغنية بالدهون والزيوت.
- لا تترك الجهاز بدون مراقبة أثناء قلي الطعام.
- في حالة استخدام المشروبات الكحولية عند طهي الطعام (مثل الكونياك والخمر) تذكر أن الكحول يتبخر في درجات الحرارة العالية. نتيجة لذلك هناك خطر من الأبخرة المتصاعدة من الكحول لأنها قد تتسبب في اشتعال حريق عند ملامسة عنصر التسخين الكهربائي.
- لا تستخدم أجهزة التنظيف بالبخار.
- لا تلمس الفرن أثناء دورة الانحلال الحراري. احرص على إبقاء الأطفال بعيداً عن الفرن أثناء دورة الانحلال الحراري. (فقط مع الأفران التي بها خاصية الانحلال الحراري).
- استخدم فقط مجس الحرارة الموصى به لهذا الفرن.
- لا تقم باستخدام منظفات حادة أو كاشطات لتنظيف زجاج باب الفرن أو أية أدوات معدنية حادة حيث يمكن لهذه الأدوات والمنظفات أن تخدش وتتلف سطح الفرن، الأمر الذي قد يؤدي إلى تحطم الباب الزجاجي للفرن.
- تأكد من أن الجهاز معطل قبل استبدال اللبنة لتجنب احتمال الإصابة بصدمة كهربائية.

هذا الكتيب والجهاز نفسه يقدمان تحذيرات هامة خاصة بالسلامة يجب قراءتها ومراعاتها في جميع الأوقات. هذا هو رمز الخطر المتعلق بالسلامة، الذي ينبه المستخدمين إلى المخاطر المحتملة بالنسبة لأنفسهم وللآخرين. جميع تحذيرات السلامة تكون مسبقة برمز الخطر والعبارات التالية:

يشير إلى موقف خطر قد يسبب إصابة خطيرة في حالة عدم تجنبه.



يشير إلى موقف خطر قد يسبب إصابة خطيرة في حالة عدم تجنبه.



تقدم كافة تحذيرات الأمان تفاصيل محددة عن المخاطر المحتملة الحالية وتشير إلى كيفية تقليل مخاطر الإصابة والأضرار والصدمات الكهربائية الناجمة عن الاستخدام غير الصحيح للجهاز. طالع التعليمات التالية بعناية:

- استخدم قفازات حماية لفتح جميع العبوات وإجراء عمليات التركيب.
- إن وزن هذا الجهاز ثقيل جداً، يجب أن يتم الحمل والتحرك من طرف شخصين على الأقل لاجتناب المخاطر أو المشاكل.
- يجب فصل الجهاز عن مصدر الطاقة قبل القيام بأي أعمال تركيب.
- يجب تركيب وصيانة الجهاز بواسطة فني مؤهل وفقاً لإرشادات جهة الصنع وتعليمات ولوائح السلامة المحلية. لا تقم بإصلاح أو استبدال أي جزء من أجزاء الجهاز ما لم ينص دليل المستخدم على ذلك بالتحديد.
- يجب أن يقوم فني كهربائي مؤهل باستبدال سلك الطاقة. اتصل بمركز الخدمة المعتمد.
- تتطلب التشریعات المعنية أن يتم تأريض الجهاز.
- يجب أن يكون كبل الطاقة طويلاً بحيث يسمح بتوصيل الجهاز بمصدر الطاقة الرئيسي بعد تثبيت الجهاز في مكانه.
- لكي يكون التركيب متوافقاً مع لوائح السلامة الحالية، ينبغي استخدام مفتاح فصل جميع الأقطاب ذو فتحة تلامس طولها 3 مم على الأقل.
- لا تستخدم مهايئات بقوابس متعددة إذا كان الفرن مجهز بقابس.
- لا تستخدم أسلاك إطالة.
- لا تسحب كبل التزويد بالطاقة.
- يجب أن لا يسهل الوصول إلى الأجزاء الكهربائية من قبل المستخدم بعد التركيب.
- لا تلمس الجهاز بأي جزء مبلل من جسمك ولا تقم بتشغيله وأنت عاري القدمين.
- الجهاز تم تصميمه لاستخدامه فقط كجهاز منزلي لطهي الطعام. لا يسمح بأي نوع آخر من الاستخدام (مثل: تدفئة الغرف). لا تتحمل الشركة المصنعة أي مسؤولية بشأن أي استخدامات غير ملائمة أو أي ضبط غير صحيح لمفاتيح التحكم.
- الجهاز والأجزاء التي يمكن الوصول إليها تصبح ساخنة أثناء الاستخدام. يجب توخي الانتباه لتجنب ملامسة العناصر الساخنة. الأطفال الصغار جداً (3-0 سنوات) والأطفال الصغار (8-3 سنوات) يجب إبعادهم ما لم يتم الإشراف عليهم بشكل مستمر
- الأطفال من 8 سنوات وما فوق والأشخاص أصحاب القدرات البدنية أو الحسية أو القدرات العقلية المنخفضة أو الذين يفتقرون إلى الخبرة والمعرفة، لا يمكنهم استخدام هذا الجهاز إلا إذا تم الإشراف عليهم أو أعطيت لهم تعليمات حول الاستخدام الآمن للأجهزة وإذا كانوا يدركون المخاطر التي ينطوي عليها هذا الاستخدام. تأكد من أن الأطفال لا يلعبون بالجهاز. تنظيف الجهاز وصيانة المستخدم لا يجب أن يقوم بها الأطفال دون إشراف.

# إرشادات الاستخدام

صفحة

4

6

8

8

8

9

9

10

إرشادات هامة خاصة بالسلامة

التركيب

نصائح لحماية البيئة

إعلان التوافق

دليل تحري الأعطال

خدمة ما بعد البيع

التنظيف

الصيانة



400011569226



Для РФ:  
ООО «Виерлпул Си-Ай-Эс»  
117105, г. Москва, Варшавское шоссе, дом 9, стр.1Б, 3 эт.  
Телефон горячей линии в РФ: 8-800-100-57-31  
Whirlpool Europe s.r.l.  
Viale Guido Borghi, 27 - 21025 Comerio (Varese) ITALY  
Виерлпул Европа с.р.л.  
Виале Г.Борге, 27 - 21025 Комерио (Варезе) Италия

ИП Менегетти С.п.А.  
Виа Борго Лунардон 8  
I-36027 Роса (VI)  
Италия

Сделано в Италии

