

# AKP 261/IX

12NC: 857726138500

GTIN (EAN) code: 8003437934353

Whirlpool

SENSING THE DIFFERENCE



## Whirlpool built in electric oven: inox color - AKP 261/IX

This Whirlpool built in Oven features: conventional cooking method. Advanced electric technology allowing you to cook dishes saving energy. Halogen lamp allowing a more energy-efficient performance.



### Small cavity

This Whirlpool Oven features a compact-size cavity.



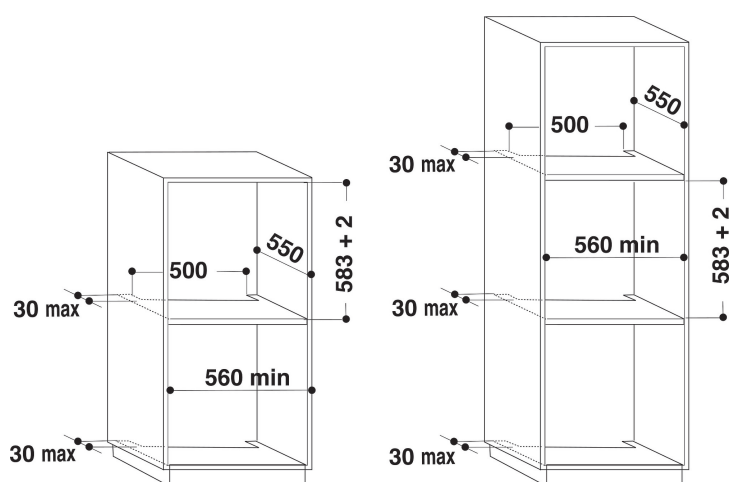
### Energy class

Outstanding energy savings. Ovens with an A/ A+ energy rating offer an excellent level of energy efficiency, ensuring lower consumption and saving you money on your energy bills.

# A

### Energy class A

Energy efficient. With its A energy rating, this Whirlpool appliance will allow you to enjoy both ideal performance and excellent energy consumption.



- Energy class A
- Cavity 60 L
- Grill
- Easy Clean Enamel Interior
- Conventional Cooking
- Metal handle
- Door Glasses Number: 2
- Grill 2500 W
- 1 Grid
- 1 Tray
- Float Glass and N/A Bottom Front Trim
- Dimensions HxWxD: 595x595x564 mm
- Product Segment: Low end
- Inox finishing
- 1 Enamelled Fat Pan

# AKP 261/IX

12NC: 857726138500

GTIN (EAN) code: 8003437934353

# Whirlpool

SENSING THE DIFFERENCE

## MAIN FEATURES

Product group	Oven
Commercial code	AKP 261/IX
Main colour of product	Inox
Construction type	Built-in
Type of control	Mechanical
Type of control settings	-
Are any hobs controls integrated?	No
Which kind of hobs can be controlled?	-
Automatic programmes	No
Current (A)	13
Voltage (V)	230-240
Frequency (Hz)	50/60
Length of Electrical Supply Cord (cm)	90
Plug type	UK
Depth with open door 90 degree (mm)	-
Height of the product	595
Width of the product	595
Depth of the product	564
Minimum niche height	0
Minimum niche width	0
Niche depth	0
Net weight (kg)	29
Usable volume (of cavity)	60
Integrated Cleaning system	No
Grids of the cavity	1
Trays	1

## TECHNICAL FEATURES

Timer	No
Time control	No control of the time
Time-setting options	No delay options
Safety device	-
Interior light	Yes
Number of interior lights of the cavity	1
Position of interior lights of the cavity	Rear
Oven guides of the cavity	Wall-embedded
Probe of the cavity	No

## PERFORMANCES

Energy input	Electric
Type of energy of the cavity	Electricity
Energy efficiency class - NEW (2010/30/EU)	A
Energy consumption per cycle conventional - NEW (2010/30/EU)	0.76
Energy consumption per cycle forced air convection - NEW (2010/30/EU)	0

**ENERG** Y UA IE 1A  
енергия · ενεργεια

**WHIRLPOOL** AKP 261/IX

60 L

0.76 kWh/cycle\*

0 kWh/cycle\*

A

\* ημερησια - cyklus - parhion - zyklos - nopolymayua - ciclo - tsükkel - ohjelma - ciklus  
ciklas - cikls - ciklu - cyclus - cykl - ciclu - program - cykel

65/2014