

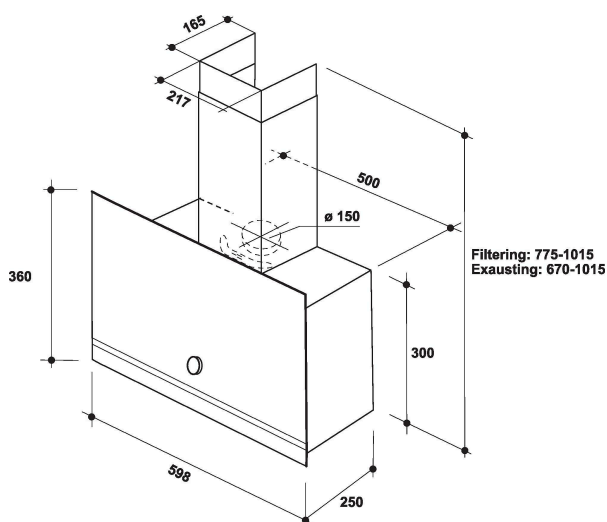
WHVA 62F LM K

12NC: 859991639320

GTIN (EAN) code: 8003437627590

Whirlpool

SENSING THE DIFFERENCE



MAIN FEATURES

| | |
|---|-------------------------------|
| Product group | Napa |
| Colour body | Crna |
| Material body | Metal / glass |
| Colour chimney | Crna |
| Material chimney | Metal |
| Typology | Manual |
| Installation type | Samostojeći |
| Type of control | Mechanical |
| Type of control settings | - |
| Decor panel options | - |
| Motor location | Integrated motor in hood body |
| Operating Mode | Convertible |
| Electrical connection rating (W) | 233 |
| Current (A) | 1 |
| Voltage (V) | 220-240 |
| Frequency (Hz) | 50 |
| Length of Electrical Supply Cord (cm) | 150 |
| Plug type | Schuko |
| Chimney height (mm) | - |
| Height of product, without chimney (mm) | 360 |
| Height of the product | 775 |
| Width of the product | 598 |
| Depth of the product | 250 |
| Minimum niche height | 0 |
| Minimum niche width | 0 |
| Niche depth | 0 |
| Net weight (kg) | 13.1 |

TECHNICAL FEATURES

| | |
|---|--------------------|
| Type of manual control devices | Monoknob |
| Type of automatic control devices | - |
| Number of motors | 1 |
| Total power of the motors (W) | 230 |
| Number of speed settings: boost option availability | 3 |
| Boost presence | Ne |
| Maximum output air extraction (m ³ /h) | 485 |
| Boost position air extraction (m ³ /h) | 0 |
| Maximum output recirculating air (m ³ /h) | 490 |
| Boost position output recirculating (m ³ /h) | 0 |
| Light Control Type | On/Off |
| Number of lights | 1 |
| Type of lamps used | Strip LED |
| Total power of the lamps (W) | 3 |
| Diameter of air outlet (mm) | 150 |
| No-return airflow flap | Yes |
| Grease filter material | Washable aluminium |
| Odour filter | Yes |

ENERGY LABEL

| | |
|---|----|
| Sound power at min. speed (2010/30/EU) | 51 |
| Sound power at max. speed (2010/30/EU) | 65 |
| Noise level with boost position (dB(A) re 1 pW) | 0 |