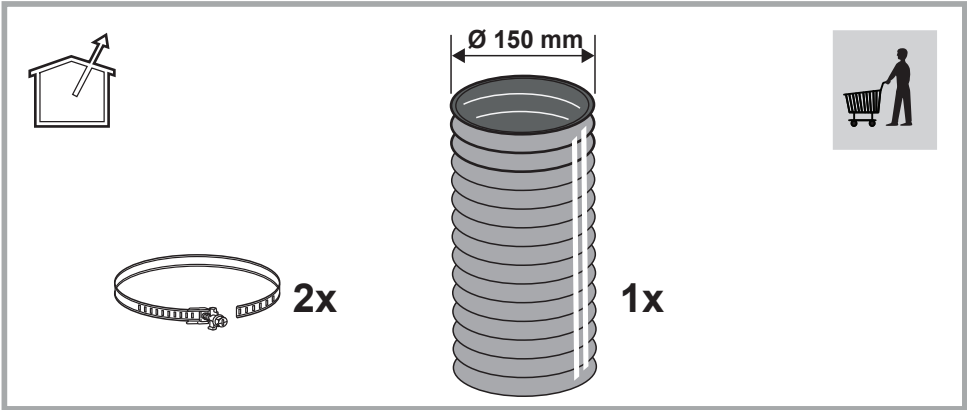
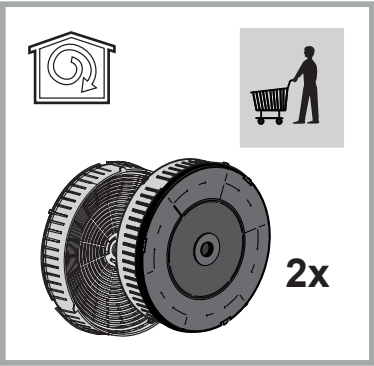
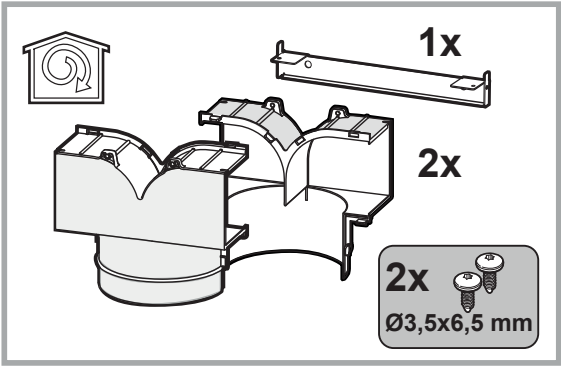
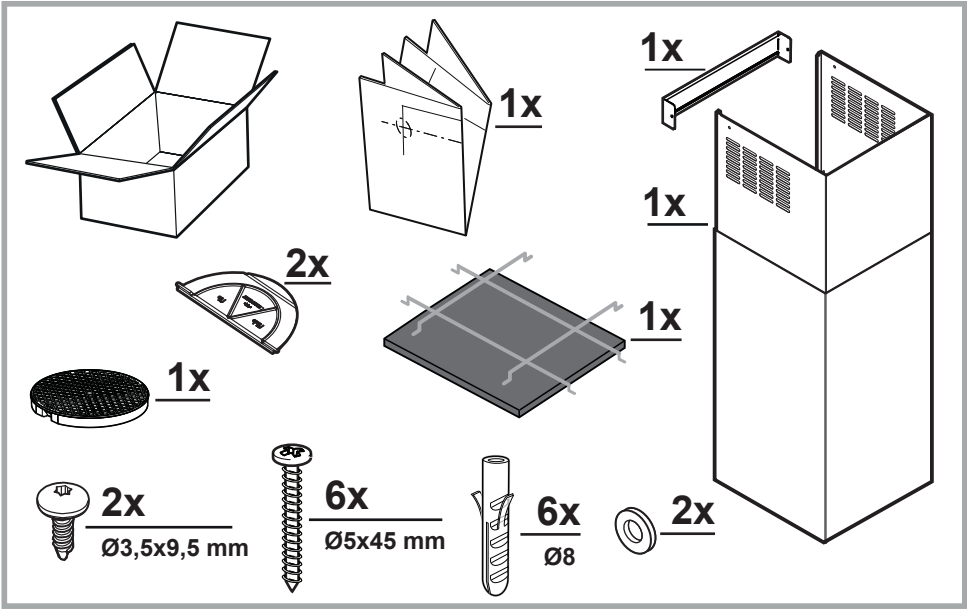
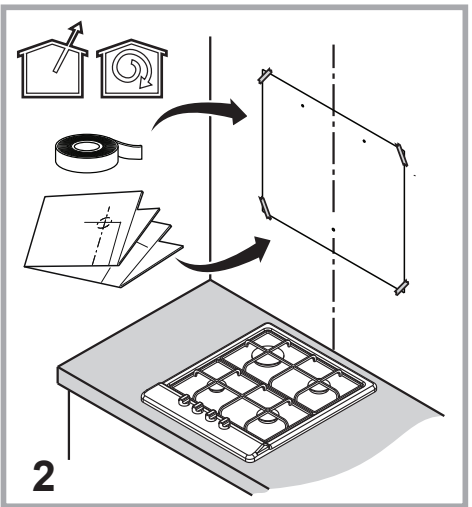
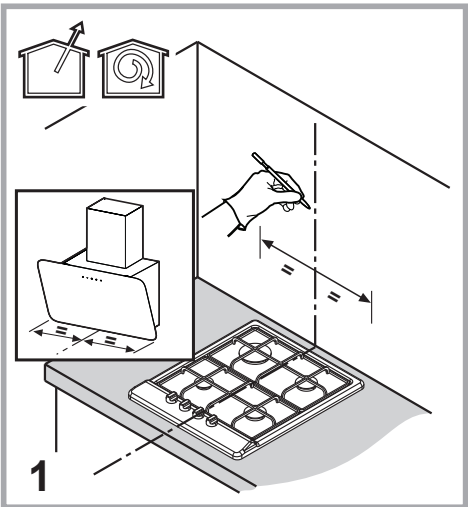
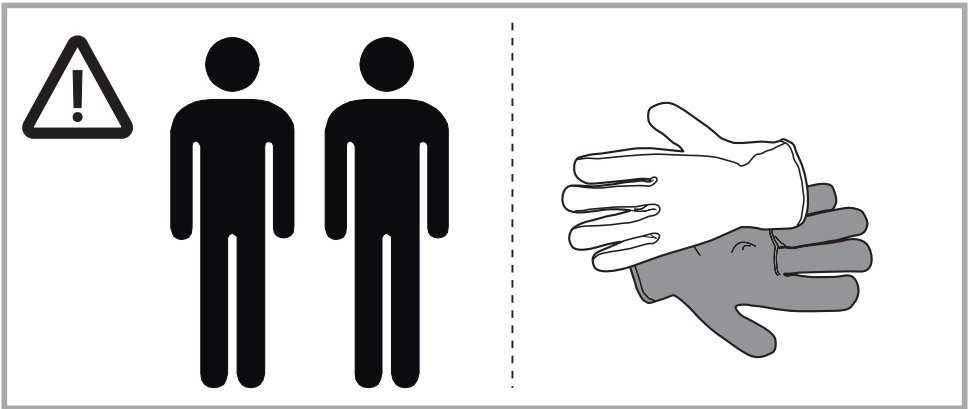
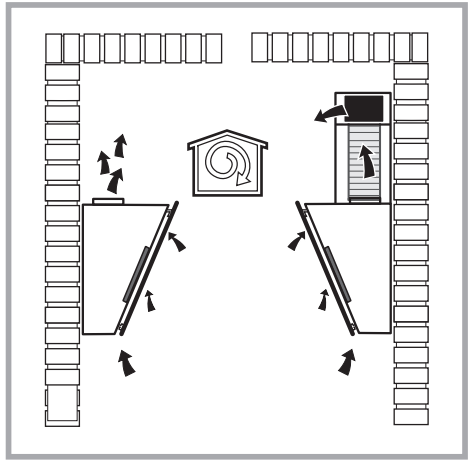
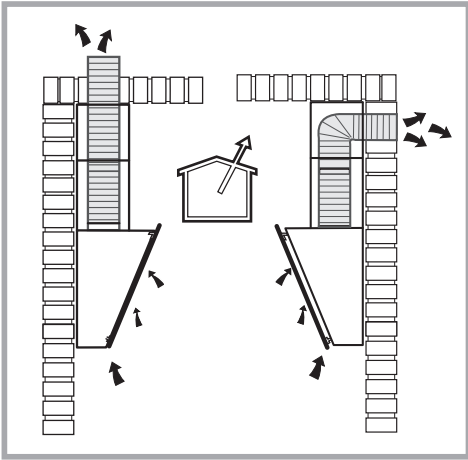
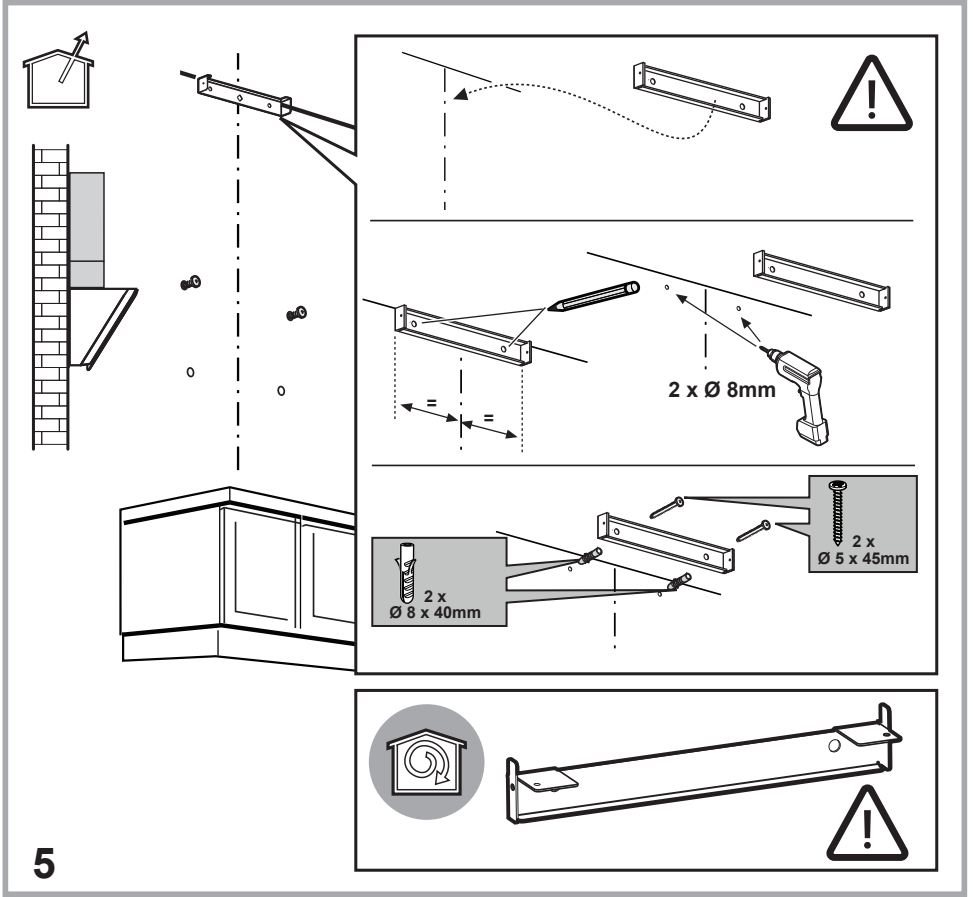
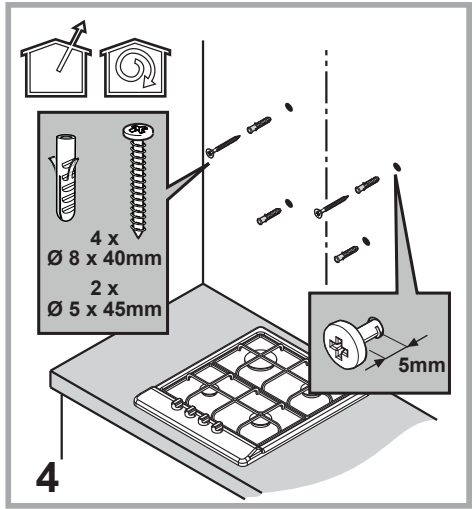
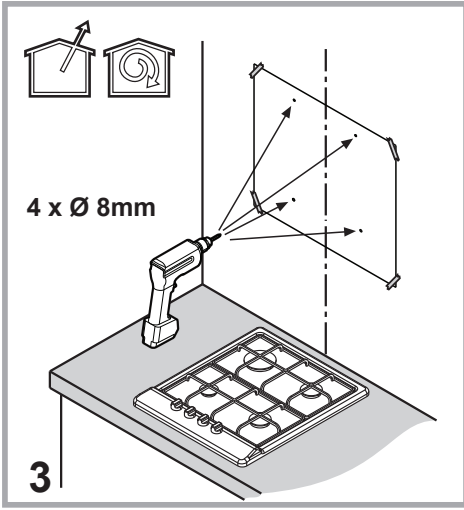


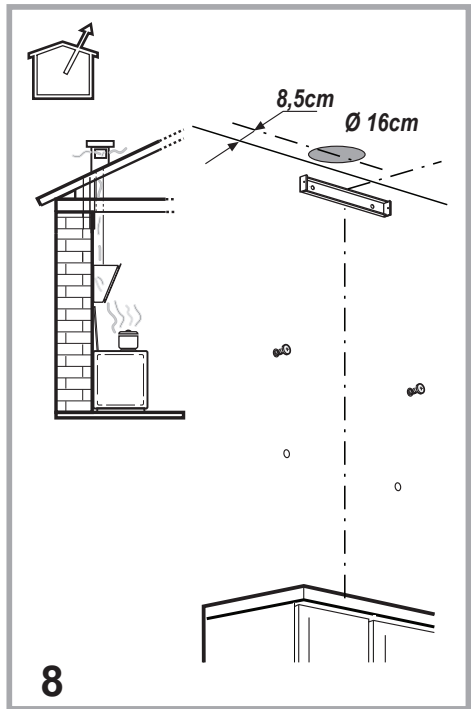
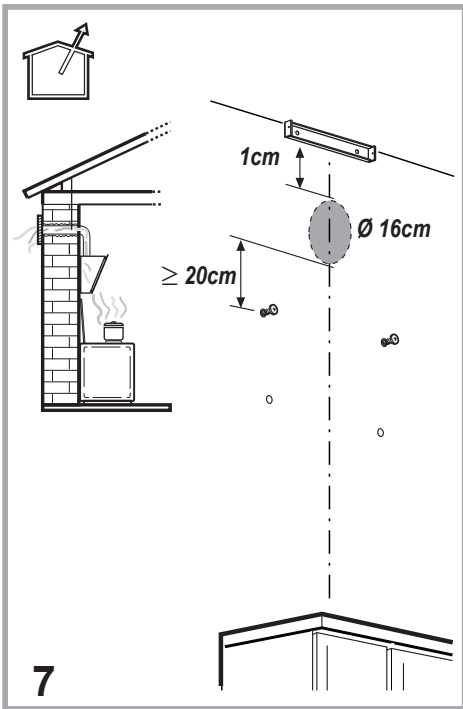
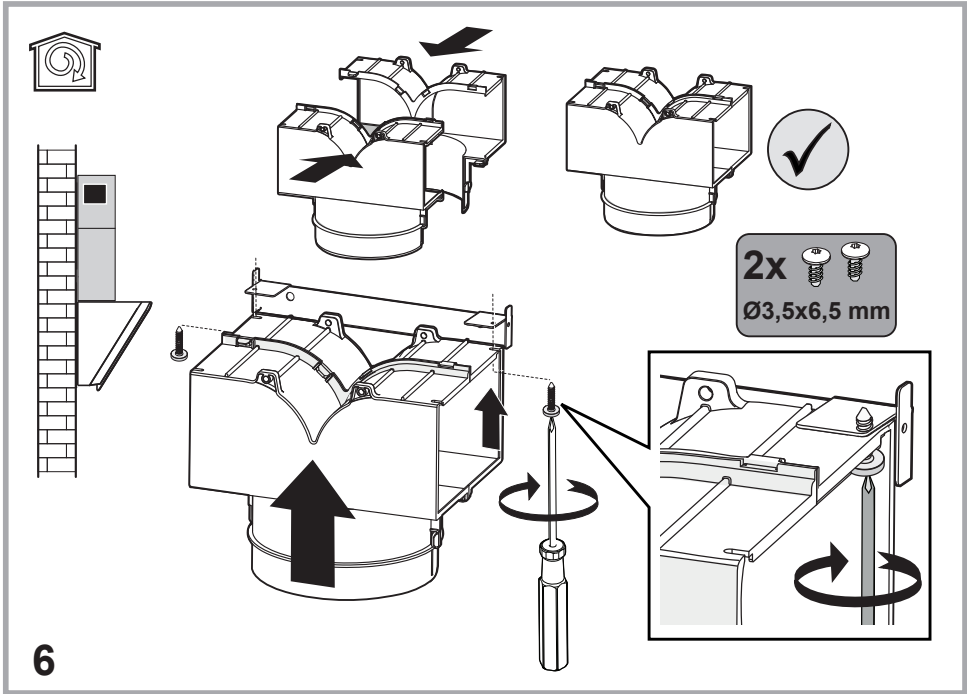
EN Instructions for use
DE Betriebsanleitung
FR Mode d'emploi
ES Instrucciones de uso
IT Istruzioni per l'uso
PT Instruções de uso
NL Gebruiksaanwijzingen
EL Οδηγίες χρήσης
HR Upute za uporabu
SL Navodila za uporabo
SR Uputstva za upotrebu
ET Kasutusjuhend
LT Naudojimo instrukcija
LV Informacija naudotojui
PL Instrukcja obsługi
BG Ръководство за употреба
UK Інструкції з використання
SK Návod na používanie
CS Návod k použití
HU Használati útmutató
RO Informații pentru utilizator

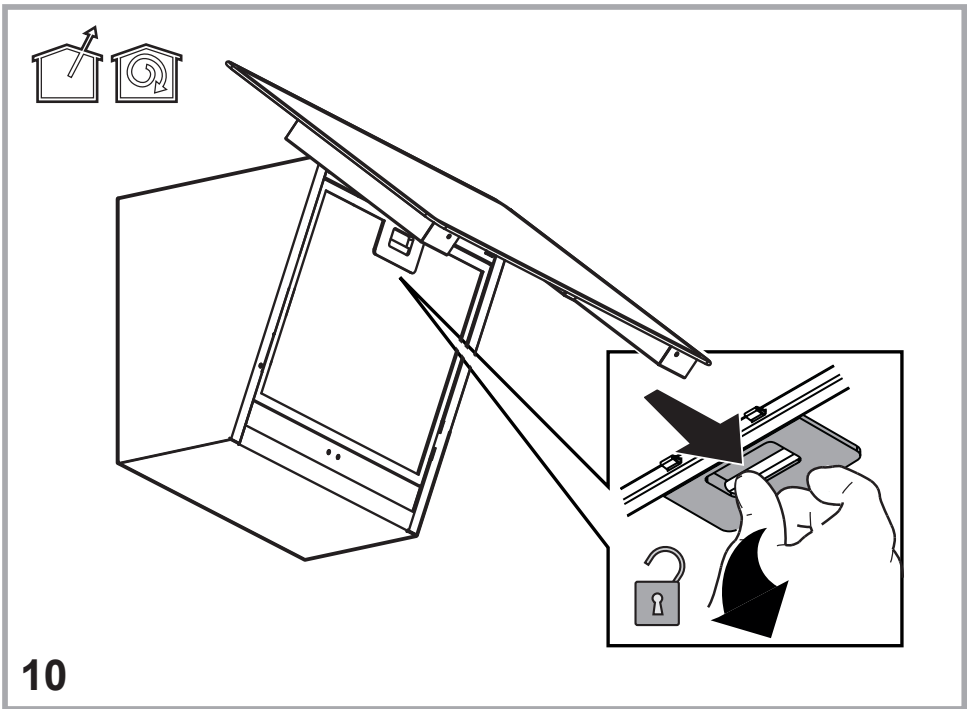
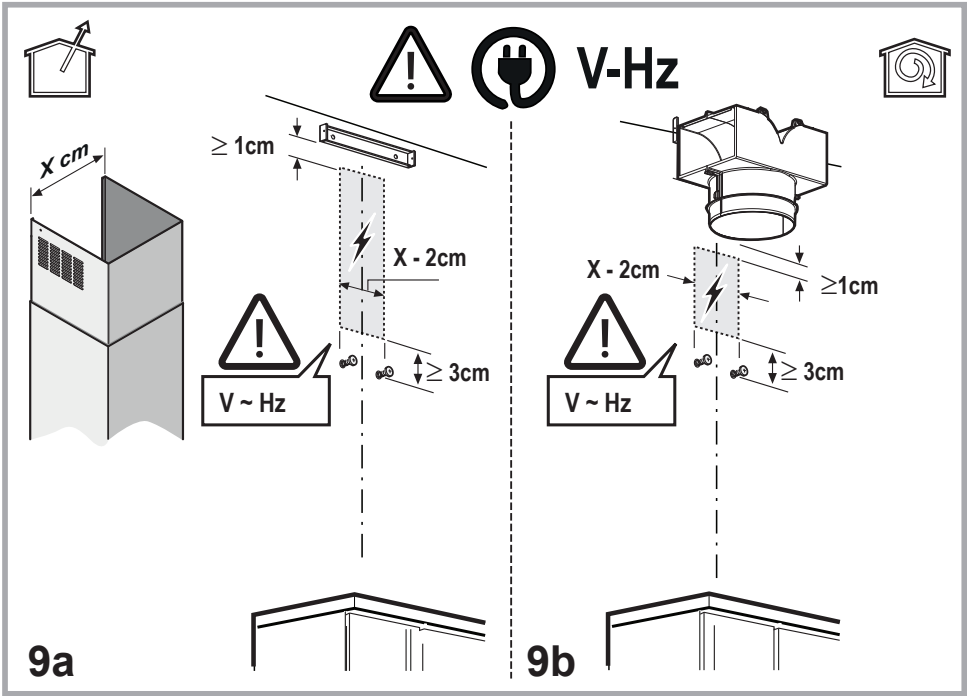
Whirlpool

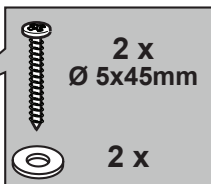
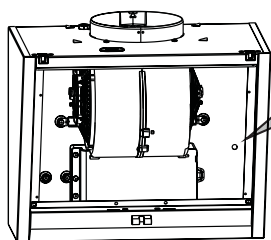
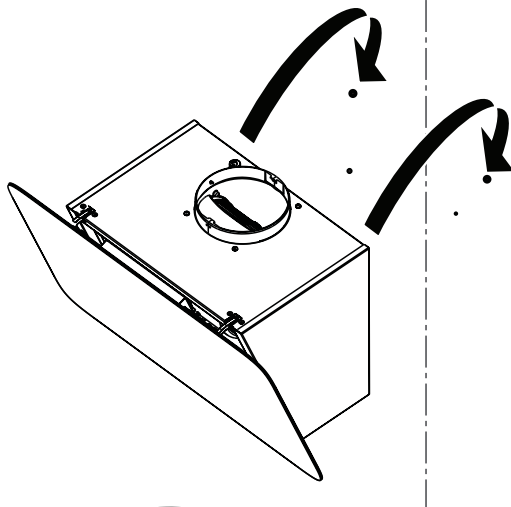




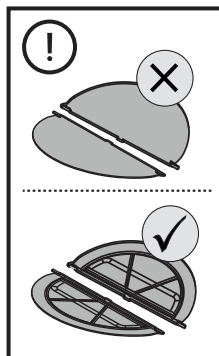
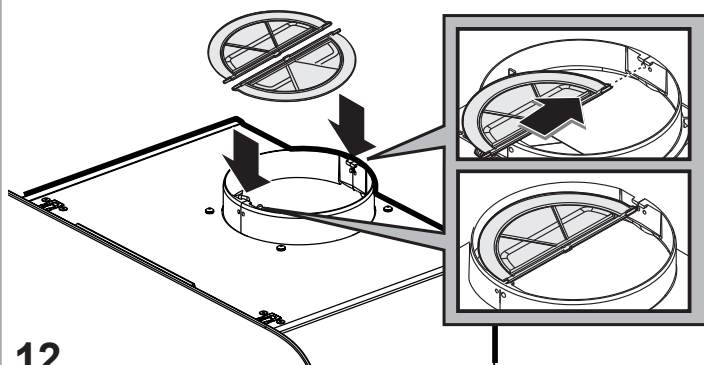




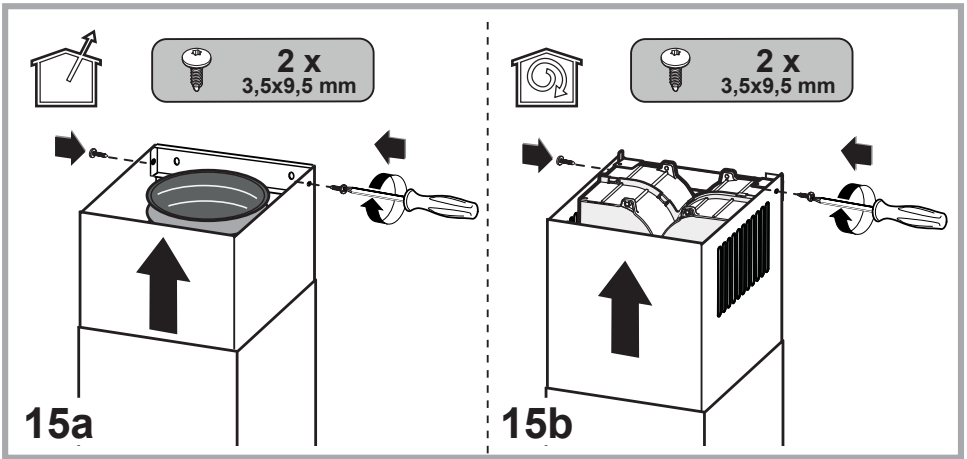
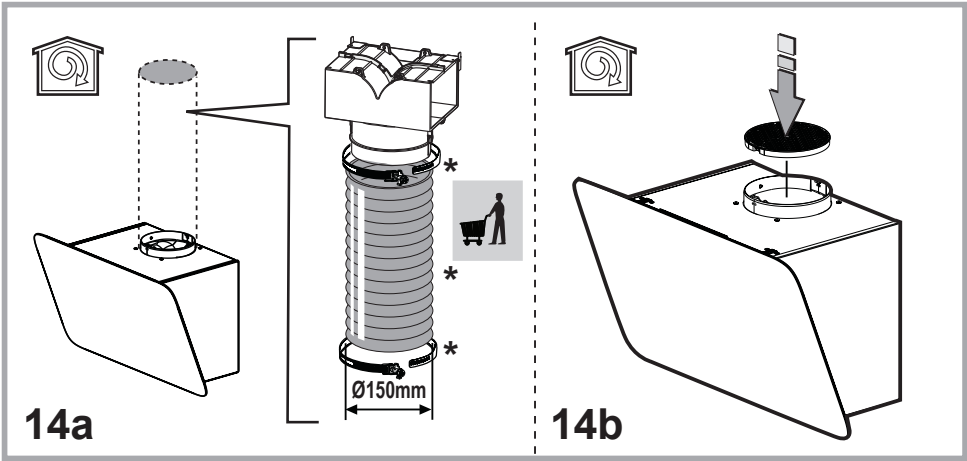
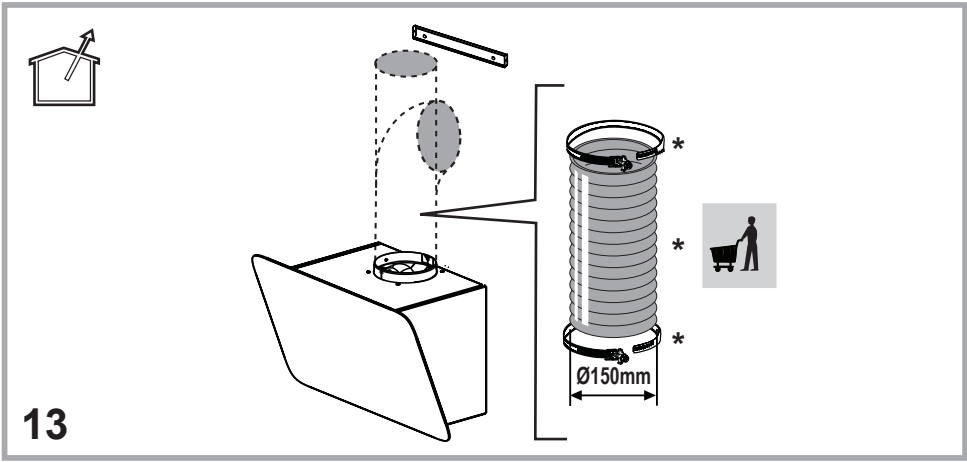


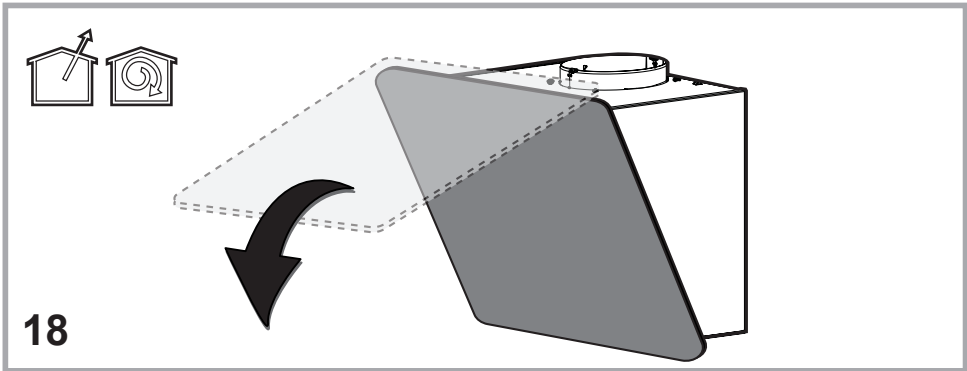
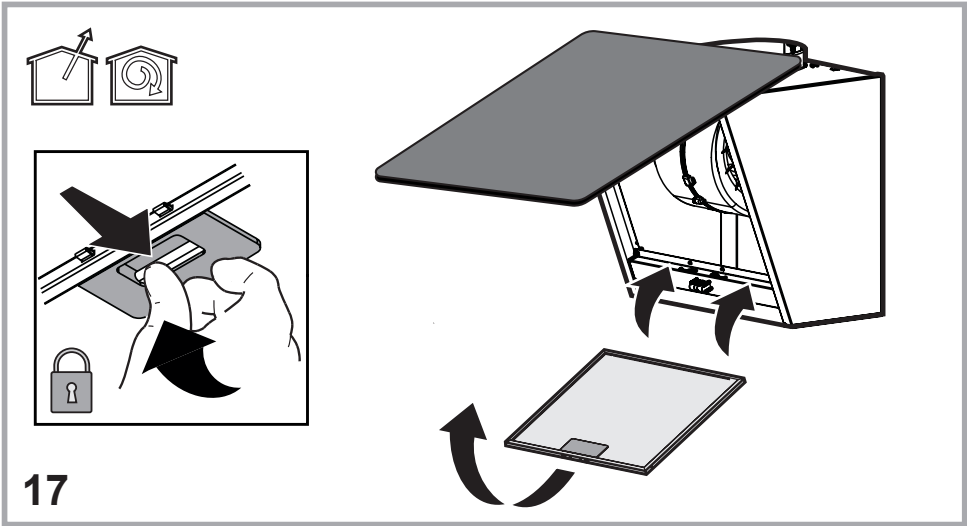
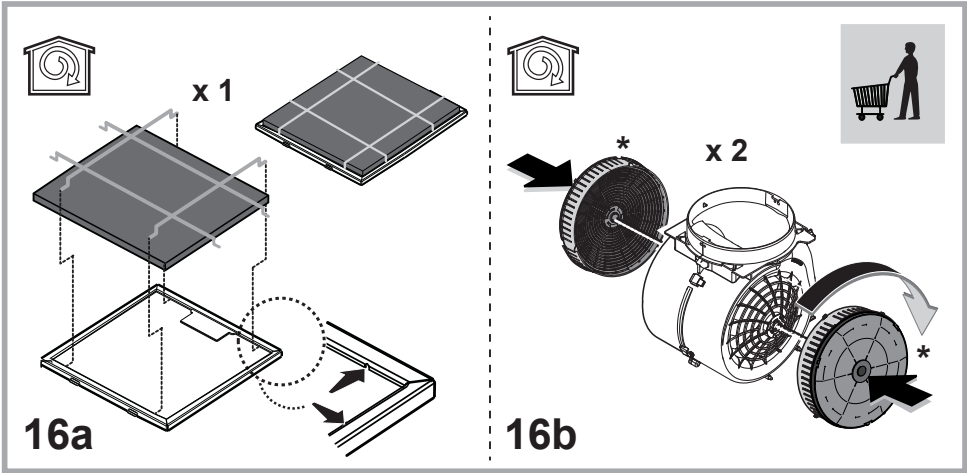


11



12





GENERAL SAFETY

- Before any cleaning or maintenance operation, disconnect hood from the mains by removing the plug or disconnecting the mains electrical supply.
 - Always wear work gloves for all installation and maintenance operations.
 - This appliance can be used by children aged from 8 years and above and persons with reduced physical, sensory or mental capabilities or lack of experience and knowledge if they have been given supervision or instruction concerning use of the appliance in a safe way and understand the hazards involved.
 - Children shall not be allowed to tamper with the controls or play with the appliance.
 - Cleaning and user maintenance shall not be made by children without supervision.
 - The premises where the appliance is installed must be sufficiently ventilated, when the kitchen hood is used together with other gas combustion devices or other fuels.
 - The hood must be regularly cleaned on both the inside and outside (AT LEAST ONCE A MONTH).
 - This must be completed in accordance with the maintenance instructions provided. Failure to follow the instructions provided regarding the cleaning of the hood and filters will lead to the risk of fires.
 - Do not flambé under the range hood.
 - Do not remove filters during cooking.
 - For lamp replacement use only lamp type indicated in the Maintenance/Replacing lamps section of this manual.
- The use of exposed flames is detrimental to the filters and may cause a fire risk, and must therefore be avoided in all circumstances.
- Any frying must be done with care in order to make sure that the oil does not overheat and ignite.
- CAUTION:** Accessible parts of the hood may become hot when used with cooking appliances.
- Do not connect the appliance to the mains until the installation is fully complete.
 - With regards to the technical and safety measures to be adopted for fume discharging it is important to closely follow the regulations provided by the local authorities.
 - The air must not be discharged into a flue that is used for exhausting fumes from appliance burning gas or other fuels.
- ▲ WARNING!** Failure to install the screws or fixing device in accordance with these instructions may result in electrical hazards.
- Do not use or leave the hood without the lamp correctly mounted due to the possible risk of electric shocks.
 - Never use the hood without effectively mounted grids.
 - The hood must NEVER be used as a support surface unless specifically indicated.
 - Use only the fixing screws supplied with the product for installation or, if not supplied,

purchase the correct screws type.

- Use the correct length for the screws which are identified in the Installation Guide.
- In case of doubt, consult an authorized service assistance center or similar qualified person.

▲ WARNING! Do not use with a programmer, timer, separate remote control system or any other device that switches on automatically.

Very young children(0-3years)should be kept away from the appliance.Young children (3-8 years)should be kept away from the appliance unless continuously supervised.

▲ CAUTION:The appliance is not intended to be operated by means of an external switching device, such as a timer,or separate remote controlled system.

▲ This appliance is not for professional use. Do not use the appliance outdoors.

▲ The appliance must be handled and installed by two or more persons-risk of injury.

▲ Installation, including water supply (if any),electrical connections and repairs must be carried out by a qualified technician. Once installed,packaging waste (plastic,styrofoam parts etc.) must be stored out of reach of children – risk of suffocation.

Do not use the appliance when you are wet or barefoot.

Never use steam cleaning equipment – risk of electric shock.



The packaging material is 100% recyclable and is marked with the recycle symbol

The hood can look different to that illustrated in the drawings in this booklet. The instructions for use, maintenance and installation, however, remain the same.

Closely follow the instructions set out in this manual. All responsibility, for any eventual inconveniences, damages or fires caused by not complying with the instructions in this manual, is declined. This appliance is intended to be used in household and similar application such as: - staff kitchen areas in shop, offices and other working environments; - farm houses; - by clients in hotels, motels and other residential type environments; - bed and breakfast type environments.

- It is important to conserve this booklet for consultation at any moment. In the case of sale, cession or move, make sure it is together with the product.
- Read the instructions carefully: there is important information about installation, use and safety.
- Do not carry out electrical or mechanical variations on the product or on the discharge conduits.
- Before proceeding with the installation of the appliance verify that there are no damaged all components. Otherwise contact your dealer and do not proceed with the installation.

• The minimum distance between the supporting surface for the cooking equipment on the hob and the lowest part of the range hood must not be less than 45cm from electric cookers and 65cm from gas or mixed cookers.

If the instructions for installation for the gas hob specify a greater distance, this must be adhered to.

ELECTRICAL CONNECTION

The mains power supply must correspond to the rating indicated on the plate situated inside the hood. If provided with a plug connect the hood to a socket in compliance with current regulations and positioned in an accessible area, after installation. If it not fitted with a plug (direct mains connection) or if the plug is not located in an accessible area, after installation, apply a double pole switch in accordance with standards which assures the complete disconnection of the mains under conditions relating to over-

current category III, in accordance with installation instructions.


▲ WARNING! Before re-connecting the hood circuit to the mains supply and checking the efficient function, always check that the mains cable is correctly assembled.

If the cable is not fitted with a plug, connect the wires according to the following table:

Mains voltage and frequency

Refer to the rating indicated on the plate inside of the hood

Wire connection

 : yellow/green
N : blue
L : brown

Replacing the power cable

The hood is provided with a special power cable ; if the cable is damaged, request a new one from Technical Service.

AIR VENT

(for the suction versions)

Connect the hood and discharge holes on the walls with a diameter equivalent to the air outlet (connection flange).

Using the tubes and discharge holes on walls with smaller dimensions will cause a diminution of the suction performance and a drastic increase in noise.

Any responsibility in the matter is therefore declined.

- ! Use a duct of the minimum indispensable length.
- ! Use a duct with as few elbows as possible (maximum elbow angle: 90°).
- ! Avoid drastic changes in the duct cross-section.
- ! The company declines any responsibility whenever these regulations are not respected.

FILTERING OR DUCTING ?

! Your cooker hood is ready to be used in suction version.

To use the hood in filtering version the special ACCESSORY KIT must be installed.

Check on the first pages of this manual if the ACCESSORY KIT is furnished or must be bought separately.

Note: If furnished, in certain cases, the additional activated carbon filtering system may be installed on the hood.

Information about the conversion of the hood from suction version to filtering version is present in this manual.

Ducting version

In this case the fumes are conveyed outside of the building by means of a special pipe connected with the connection ring located on top of the hood.

CAUTION!

The exhausting pipe is not supplied and must be purchased apart.

Diameter of the exhausting pipe must be equal to that of the connection ring.

CAUTION!

If the hood is supplied with active charcoal filter, then it must be removed.

Filter version

The aspirated air will be degreased and deodorised before being fed back into the room.

In order to use the hood in this version, you have to install a system of additional filtering based on activated charcoal.

CONTROLS

The hood is fitted with a control panel with aspiration speed selection control and a light switch to control cooking area lights.



T1



T2



T3



T4



T5

First speed (T1)

Press **T1** to activate the first speed. When the function is activated, the LED turns on with a fixed light. Press **T1** again to turn the hood off.

Second speed (T2)

Press **T2** to activate the second speed. When the function is activated, the LED turns on with a fixed light. Press **T2** again to turn the hood off.

Third speed and BOOSTER (T3)

When the hood is off or with the first or second speed active, the third speed can be activated by pressing the button **T3** and the LED will turn on with a fixed light.

If **T3** is pressed again, the booster turns on. The booster can only be activated if the third speed is already active. When the booster is on, the LED **T3** starts to flash. While the booster is working, it is possible to switch to the first or second speed by pressing the desired speed button **T1** or **T2**, the booster will turn off and the selected speed will be activated.

When the booster is on, press **T3** again to turn the hood off.

After 5' the booster automatically turns off and the third speed is automatically activated.

Timer (T4)

The timer can be activated when the first, second or third speed is active. When the function is activated, both the LED of the Timer (**T4**) and that of the previously selected speed (**T1/T2/T3**) turn on with a fixed light.

The duration of the timer depends on the selected speed:

First speed **T1** = duration **20'**

Second speed **T2** = duration **15'**.

Third speed **T3** = duration **10'**.

The timer cannot be activated when the booster is active. When the time expires, the hood turns off. When a speed is timed, it is possible to switch to other speeds by pressing the desired speed button, this operation will turn the timer off.

When a speed is timed, the timer can be deactivated by pressing **T4**, or one of the other two inactive speeds. To turn the hood off, press the speed again to which the timer had previously been linked.

Light (T5)

The light can be activated at any time by pressing key T5. When the function is activated, the LED turns on with a fixed light.

Filter setting

Activation or deactivation of the filter indicators is only possible with the hood off.

To access the configuration menu, hold pressed **T2+T3**, once inside the menu **T1** will start to flash.

The default setting is:

– **grease filter** indicator (**T2**) on, therefore active;

– **odour filter** indicator (**T3**) off, therefore not activated.

T2 activates/deactivates the grease filter indicator. **T3** activates/deactivates the odour filter indicator. To exit the menu, hold pressed **T1** or wait **10''**

Filter reset

The hood signals the need for filter maintenance at regular intervals:

– grease filter every **40 hours**;

– odour filter every **160 hours**.

In this case, with the hood off, when the user touches any button the interface signals two types of needs for a period of **10''**:

– if **T1+T2** flash: **grease filter maintenance**;

– if **T1+T3** flash: **odour filter maintenance**.

During the 10" it is possible to reset the grease filter by pressing **T1+T2** and to reset the odour filter by pressing **T1+T3**. After the reset, the button combinations will flash rapidly twice. The interface will now work as normal.

Please note:

During the 10", the hood will work normally but without any visual feedback regarding the speed buttons. If during the 10" no operations are carried out, the LEDs will stop flashing and the visual feedback will return to normal.

MAINTENANCE

Cleaning

Clean using **ONLY** a cloth dampened with neutral liquid detergent. **DO NOT CLEAN WITH TOOLS OR INSTRUMENTS.** Do not use abrasive products. **DO NOT USE ALCOHOL !**

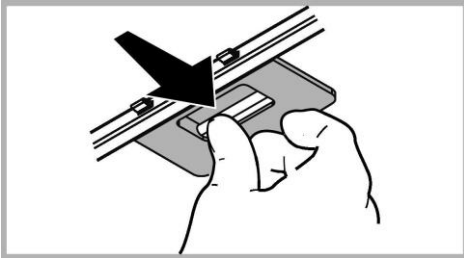
Perimeter aspiration panel

Clean the perimeter aspiration panel with the same frequency as the anti-grease filter, using a cloth and not too concentrated liquid detergent. Do not use abrasive substances.

Maintenance of the anti-grease filters

Traps cooking grease particles.

The **grease filter** must be cleaned once a month using non aggressive detergents, either by hand or in the dishwasher, which must be set to a low temperature and a short cycle. When washed in a dishwasher, the grease filter may discolor slightly, but this does not affect its filtering capacity. To remove the grease filter, pull the spring release handle.



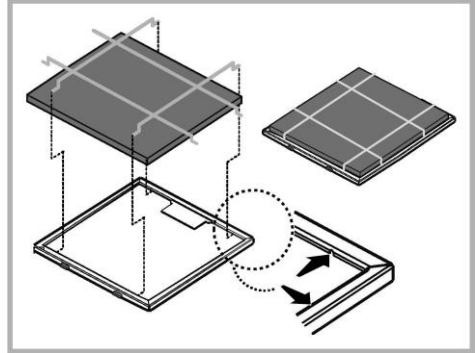
Maintenance of the charcoal filter

It absorbs unpleasant odors caused by cooking. Synthetic mat filter (supplied with the product)

The charcoal filter can be washed once every two months (or when the filter saturation indication system – if envisaged on the model in possession – indicates this necessity) using hot water and a suitable detergent, or in a dishwasher at 65°C (if the dishwasher is used, select the full cycle function and leave dishes out).

Eliminate excess water without damaging the filter, then put it in the oven for 10 minutes at 100° C to dry completely. Replace the mattress every 3 years and when the cloth is damaged.

The synthetic mat filter can be replaced with the round carbon filter.



Circular charcoal filter

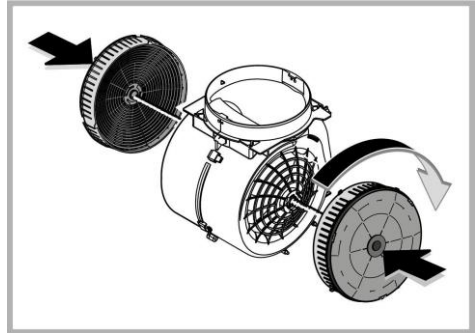
Apply one on each side as cover to both the shield grids of the motor impeller, then turn clockwise.

For the disassembly, turn counter-clockwise.

The saturation of the **charcoal filter** occurs after more or less prolonged use, depending on the type of cooking and the regularity of cleaning of the grease filter.

In any case it is necessary to replace the cartridge at least every four months.

The charcoal filter may **NOT** be washed or regenerated.



Replacing lamps

The hood is equipped with a lighting system based on LED technology.


The LEDs guarantee an optimum lighting, a duration up to 10 times longer than the traditional lamps and allow to save 90% electrical energy.

The lighting system cannot be replaced by the user, contact Customer Service in case of malfunction.

DISPOSAL

- This appliance is marked according to the European directive 2012/19/EC - UK SI 2013 No.3113 on Waste Electrical and Electronic Equipment (WEEE).
- By ensuring this product is disposed of correctly, you will help prevent potential negative consequences for the environment and human health, which could otherwise be caused by inappropriate waste handling of this product.



- The symbol  on the product, or on the documents accompanying the product, indicates that this appliance may not be treated as household waste. Instead it should be taken to the appropriate collection point for the recycling of electrical and electronic equipment. Disposal must be carried out in accordance with local environmental regulations for waste disposal.
- For further detailed information regarding the process, collection and recycling of this product, please contact the appropriate department of your local authorities or the local department for household waste or the shop where you purchased this product.

Appliance designed, tested and manufactured according to:

- Safety: EN/IEC 60335-1; EN/IEC 60335-2-31, EN/IEC 62233.
- Performance: EN/IEC 61591; ISO 5167-1; ISO 5167-3; ISO 5168; EN/IEC 60704-1; EN/IEC 60704-2-13; EN/IEC 60704-3; ISO 3741; EN 50564; IEC 62301.
- EMC: EN 55014-1; CISPR 14-1; EN 55014-2; CISPR 14-2; EN/IEC 61000-3-2; EN/IEC 61000-3-3.

Suggestions for a correct use in order to reduce the environmental impact: Switch ON the hood at minimum speed when you start cooking and kept it running for few minutes after cooking is finished. Increase the speed only in case of large amount of smoke and vapor and use boost speed(s) only in extreme situations. Replace the charcoal filter(s) when necessary to maintain a good odor reduction efficiency. Clean the grease filter(s) when necessary to maintain a good grease filter efficiency. Use the maximum diameter of the ducting system indicated in this manual to optimize efficiency and minimize noise.



MALFUNCTIONS

If something appears not to be working properly, do the following simple checks before calling Technical Service:

- If the hood is not working:
Check that:
 - The power has not been disconnected.
 - A speed has been selected.
- If the hood performs inefficiently:
Check that:
 - The motor speed selected is sufficient for the amount of smoke and vapours released.
 - The kitchen is sufficiently ventilated to allow air intake.
 - The charcoal filter is not worn (hood in filtering version).
- If the hood has turned off during normal functioning:
Check that:
 - The power has not been disconnected.
 - the omnipolar disconnection device has not tripped.

If the hood fails to operate correctly, briefly disconnect it from the mains power supply for almost 5 sec. Then connect it in again and try once more before contacting the Technical Assistance Service.

TECHNICAL DATA

Height (cm)	Width (cm)	Depth (cm)	Ø of the exhaust tube (cm)
 71-104,5	59,8 - 79,8	32,6	15
 79,5-104,5			

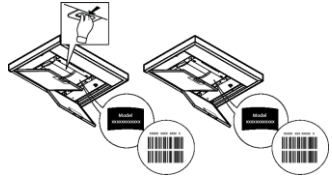


Components not provided with the product



You can download the Safety Instructions, User Manual, Product Fiche and Energy data by:

- Visiting our website docs.whirlpool.eu
- Using QR Code
- Alternatively, **contact our After-sales Service** (See phone number in the warranty booklet). When contacting our After-sales Service, please state the codes provided on your product's identification plate.



ALLGEMEINE SICHERHEIT

- Vor jeglicher Reinigung bzw. Wartung muss das Gerät vom Stromnetz getrennt werden, indem man den Stecker herauszieht bzw. den Hauptschalter ausschaltet.
 - Alle Installations- und Wartungsarbeiten sind mit Arbeitshandschuhen durchzuführen.
 - Das Gerät kann von Kindern ab 8 Jahren, sowie von Menschen mit verringerten physischen, sinnlichen oder psychischen Fähigkeiten (oder ohne Erfahrung und Kenntnisse) benutzt werden, sofern sie entsprechend überwacht werden bzw. in die Benutzung des Geräts sicher eingewiesen wurden und sich der damit verbundenen Gefahren bewusst sind.
 - Darauf achten, dass Kinder mit dem Gerät nicht spielen. Kinder dürfen bei Reinigung und Wartung nur dann helfen, wenn sie dabei beaufsichtigt werden.
 - Der Raum muss ausreichend belüftet sein, wenn die Dunstabzugshaube zusammen mit anderen Gas- bzw. Brennstoffgeräten verwendet wird.
 - Die Dunstabzugshaube muss regelmäßig von innen und außen gereinigt werden (MINDESTENS EINMAL IM MONAT), außerdem sollten die Anweisungen zur Wartung befolgt werden. Das nicht befolgen der Normen zur Reinigung der Dunstabzugshaube, das nicht befolgen der Hinweise zur Reinigung und zum Austausch von Filtern führt zu Brandgefahr.
 - Es ist streng verboten, Speisen auf Kochstellen mit offener Flamme unter der Dunstabzugshaube zu kochen.
 - Für den Lampenersatz verwenden Sie nur den Lampentyp, der in dem Absatz Lampenwartung / Ersatz des vorliegenden Handbuchs angegeben wird. Die Verwendung von offener Flamme schadet den Filtern und kann zu Brandgefahr führen, daher ist sie in jedem Fall zu vermeiden. Das Frittieren muss mit Vorsicht durchgeführt werden, um zu vermeiden, dass das überhitzte Öl Feuer fängt.
- ACHTUNG:** Ist das Kochfeld in Betrieb, können zugängliche Teile der Dunstabzugshaube heiß werden.
- Das Gerät nicht an das Stromnetz anschließen, bis die Installation vollständig abgeschlossen ist.
 - Bei gleichzeitigem Betrieb der Dunstabzugshaube im Abluftbetrieb und gas- oder brennstoffbetriebenen Geräten darf im Aufstellraum der Geräte der Unterdruck nicht größer als 4 Pa (4×10^{-5} bar) sein.
 - Die Abluft darf nicht in einen Kamin geleitet werden, der zugleich Abgase von der Verbrennung von Gas oder anderen Brennstoffen führt.
- ▲ ACHTUNG!** Schrauben und Befestigungselemente, die nicht in Übereinstimmung mit diesen Hinweisen sind, können zur elektrischen Gefährdung führen.
- Für das Ableiten der Küchengerüche halten Sie sich an die Vorschriften der örtlichen Behörde.
 - Benutzen Sie die Haube nicht ohne korrekt montierte Lampen, um Stromschlaggefahr

zu vermeiden.

- Die Dunstabzugshaube niemals ohne richtig installiertes Gitter verwenden!
- Die Dunstabzugshaube darf NIEMALS als Auflagefläche verwendet werden, sofern es nicht ausdrücklich angegeben ist.
- Verwenden Sie nur die mit dem Produkt für die Installation mitgelieferten Schrauben, oder, falls nicht im Lieferumfang enthalten, kaufen Sie den richtigen Schraubentyp.
- Die Länge für die Schrauben verwenden, die im Installationshandbuch angegeben wird.
- Im Zweifelsfall, fragen Sie Ihren autorisierten Kundendienst oder ein ähnliches Fachpersonal.

▲ ACHTUNG! Nicht mit einem externen Timer, einer Schaltuhr oder einer Fernbedienung oder jeglicher anderer Vorrichtung, die sich automatisch aktiviert, verwenden.

Halten Sie Kinder unter 3 Jahren fern vom Gerät. Ohne die ständige Aufsicht eines Erwachsenen Kinder unter 8 Jahren nicht in Reichweite des Geräts lassen.

▲ ACHTUNG: Das Gerät darf nicht über ein externes Gerät oder mit einer Fernbedienung in Betrieb gesetzt werden.

▲ Dieses Gerät ist nicht für den professionellen Gebrauch. Das Gerät nicht im Freien benutzen.


▲ Um Verletzungen zu vermeiden, muss das Gerät von zwei oder mehreren Personen bewegt und installiert werden.

▲ Die Installation, die auch Anschlüsse an das Wasserversorgungsnetz (wenn vorgesehen) und an das Stromnetz beinhaltet, und Reparaturen müssen von Fachpersonal ausgeführt werden.

Nach abgeschlossener Installation das Verpackungsmaterial (Plastik, Polystyrol usw.) außerhalb der Reichweite von Kindern aufbewahren, um Erstickungsgefahr zu vermeiden. .

Das Gerät nicht benutzen, wenn man nass oder barfuß ist.

Das Gerät niemals mit Dampf reinigen - Stromschlaggefahr.

Das Verpackungsmaterial ist 100% recycelbar und mit dem Recycling-Zeichen gekennzeichnet .

Die Dunstabzugshaube kann anders aussehen als auf den Abbildungen in der vorliegenden Bedienungsanleitung. Die Bedienungsanleitungen, die Wartung und die Installation sind aber gleich.

Die Anweisungen, die in diesem Handbuch gegeben werden, müssen strikt eingehalten werden. Es wird keinerlei Haftung übernommen für mögliche Mängel, Schäden oder Brände der Dunstabzugshaube, die auf die Nichtbeachtung der Vorschriften in diesem Handbuch zurückzuführen sind. Die Dunstabzugshaube wurde für die Absaugung der beim Kochen entstehenden Dünste und Dämpfe entwickelt. Sie ist nur für den Hausgebrauch geeignet.

- Die Bedienungsanleitung muss aufbewahrt werden, damit jederzeit ein Nachschlagen möglich ist. Bei Verkauf, Abtretung oder Umzug muss die Bedienungsanleitung immer beim Produkt bleiben.
- Die Bedienungsanleitung muss aufmerksam gelesen werden, da sie wichtige Informationen über Installation, Gebrauch und Sicherheit enthält.
- Es dürfen keine elektrischen oder mechanischen Änderungen am Gerät oder an den Abluftleitungen vorgenommen werden.
- Vergewissern Sie sich vor der Installation, dass das Gerät keine Transportschäden aufweist. Bei auftretenden Problemen setzen Sie sich bitte mit Ihrem Händler in Verbindung.

• Der Abstand zwischen der Abstellfläche auf dem Kochfeld und der Unterseite der Dunstabzugshaube darf 45cm im Fall von elektrischen Kochfeldern und 65 cm im Fall von Gas- oder kombinierten Herden nicht unterschreiten.

Wenn die Installationsanweisungen des Gaskochgeräts einen größeren Abstand vorgeben, ist dieser zu berücksichtigen.

ELEKTRISCHER ANSCHLUSS

Die Netzspannung muss der Spannung entsprechen, die auf dem Typenschild im Innern der Haube angegeben ist. Sofern die Haube einen Netzstecker hat, ist dieser an zugänglicher Stelle an eine den geltenden Vorschriften entsprechende Steckdose nach der Montage anzuschließen. Bei einer Haube ohne Stecker (direkter Netzanschluss) oder falls der Stecker nicht zugänglich ist, ist ein normgerechter zweipoliger Schalter nach der Montage anzubringen, der unter Umständen der Überspannung Kategorie III entsprechend den Installationsregeln ein vollständiges Trennen vom Netz garantiert.

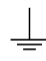
▲ HINWEIS! Vor der Inbetriebnahme muss sichergestellt werden, dass die Netzversorgungsleitung (Steckdose) ordnungsgemäß montiert wurde.

Wenn das Kabel keinen Stecker hat, die Drähte entsprechend der folgenden Tabelle verbinden:

Netzspannung und Frequenz

Lesen Sie den Wert auf dem Aufkleber mit den Geräteeigenschaften auf der Innenseite der Kappe.

Verdrahtung

 :gelb/grün
N : Blau
L : Braun

Austausch des Netzkabels

Die Dunstabzugshaube ist mit einem Spezialkabel ausgestattet. Sollte das Kabel beschädigt werden, muss beim Kundendienst Ersatz angefordert werden.

ABLEITUNG DER ABLUFT

(bei Abluftversionen)

Die Dunstabzugshaube an Abluftrohre und Abluftöffnungen in der Wand anschließen, die den gleichen Durchmesser haben wie der Abluftstutzen (Anschlussflansch).

Die Benutzung von Rohren und Abluftöffnungen mit geringerem Durchmesser verursacht eine Verringerung der Abluftleistung und eine drastische Zunahme der Geräuscentwicklung.

Bei Nichtbeachtung der Anweisungen übernimmt der Hersteller keine Haftung.

- ! Ein möglichst kurzes Rohr verwenden.
- ! Ein Rohrsystem mit einer möglichst geringen Anzahl von Krümmungen verwenden (max. Winkel der Krümmung: 90°).
- ! Starke Änderungen des Rohrdurchmessers sind zu vermeiden.
- ! Jegliche Verantwortung wird von der Firma abgelehnt, sollten diese Normen nicht respektiert werden.

UMLUFT- ODER ABLUFTBETRIEB ?

! Ihre Haube wird als Abzugshaube geliefert.

Um die Abzugshaube in der Umluftversion verwenden zu können, braucht der AKTIVKOHLE-FILTERSYSTEM installiert zu werden.

Stellen Sie in den ersten Seiten dieser Gebrauchsanleitung fest, ob das AKTIVKOHLE-FILTERSYSTEM mitgeliefert oder separat erhältlich ist.

Anmerkung: Wenn das Aktivkohle-Filterssystem mitgeliefert wird, kann es schon in der Haube installiert worden sein.

Die Informationen über den Umbau der Abzugshaube in Umlufthaube sind in dieser Gebrauchsanleitung enthalten.

Abluftbetrieb

Die Luft wird mit Hilfe eines Rohrs ins Freie geleitet, das am Abluftstutzen angebracht wird.

▲ HINWEIS!

Das Abluftrohr wird nicht mitgeliefert und muss separat erworben werden.

Das Abluftrohr muss den gleichen Durchmesser wie der Abluftstutzen aufweisen.

HINWEIS!

Sollte die Dunstabzugshaube mit Aktivkohlefilter versehen sein, so muss dieser entfernt werden.

Umluftbetrieb

Die angesaugte Luft wird zuvor entfettet und desodoriert werden, bevor sie wieder in den Raum zugeführt wird.

Um die Abzugshaube in dieser Version zu verwenden, müssen Sie ein zusätzliches Filtersystem, welches auf Aktivkohle basiert, installieren.

BEDIENELEMENTE

Die Dunstabzugshaube ist mit einer Bedienungsblende ausgestattet, die mit einer Steuerung für die Ansaugstärke bzw. -geschwindigkeit, sowie einer Steuerung zur Einstellung der Arbeitsplatzbeleuchtung versehen ist.



Erste Geschwindigkeit (T1)

T1 drücken, um die erste Geschwindigkeit zu aktivieren. Wenn die Funktion aktiviert ist, leuchtet die LED mit festem Licht auf. Erneut **T1** drücken, um die Abzugshaube abzuschalten.

Zweite Geschwindigkeit (T2)

T2 drücken, um die zweite Geschwindigkeit zu aktivieren. Wenn die Funktion aktiviert ist, leuchtet die LED mit festem Licht auf. Erneut **T2** drücken, um die Abzugshaube abzuschalten.

Dritte Geschwindigkeit und BOOSTER (Verstärker) (T3)

Wenn die Abzugshaube deaktiviert ist oder die erste oder zweite Geschwindigkeit aktiv ist, kann die dritte Geschwindigkeit durch den Druck des Tasters **T3** aktiviert werden und die LED leuchtet mit festem Licht auf.

Ein weiterer Druck auf **T3** schaltet den Booster ein. Der Booster kann erst aktiviert werden, nachdem die dritte Geschwindigkeit bereits aktiv ist. Wenn der Booster eingeschaltet ist, beginnt die LED **T3** zu pulsieren. Während der Booster in Betrieb ist, kann auf die erste oder die zweite Geschwindigkeit durch Druck des Tasters der gewünschten Geschwindigkeit **T1** oder **T2** übergegangen werden, der Booster schaltet sich ab und die gewählte Geschwindigkeit wird aktiviert.

Wenn der Booster eingeschaltet ist, erneut **T3** drücken, um die Abzugshaube abzuschalten.

Nach 5' schaltet sich der Booster automatisch ab und die dritte Geschwindigkeit wird automatisch aktiviert.

Timer (Zeitschaltuhr) (T4)

Der Timer kann aktiviert werden, wenn die erste oder zweite oder dritte Geschwindigkeit aktiv ist. Wenn die Funktion aktiviert ist, leuchten sowohl die LED des Timers (**T4**) als auch diejenige der vorher gewählten Geschwindigkeit (**T1/T2/T3**) mit festem Licht auf.

Der Timer dauert je nach gewählter Geschwindigkeit:

Erste Geschwindigkeit **T1** = Dauer 20'

Zweite Geschwindigkeit **T2** = Dauer 15'.

Dritte Geschwindigkeit: **T3** = Dauer 10'.

Der Timer kann nicht aktiviert werden, wenn der Booster aktiv ist. Nach Ablauf der Zeit schaltet die Abzugshaube ab. Wenn eine Geschwindigkeit zeitgesteuert ist, kann auf eine andere Geschwindigkeit durch Druck des Tasters der gewünschten Geschwindigkeit übergegangen werden; dieser Vorgang schaltet den Timer aus.

Wenn eine Geschwindigkeit zeitgesteuert ist, kann der Timer durch Druck von **T4** oder einer der anderen zwei, nicht aktiven Geschwindigkeiten deaktiviert werden. Um die Abzugshaube abzuschalten, erneut die Geschwindigkeit, auf die zuvor die Zeitsteuerung angewendet wurde, drücken.

Licht (T5)

Das Licht kann zu jedem Zeitpunkt durch Druck der Taste **T5** aktiviert werden. Wenn die Funktion aktiviert ist, leuchtet die LED mit festem Licht auf.

Einstellung des Filters

Die Aktivierung oder Deaktivierung der Anzeige des Filters kann nur bei abgeschalteter Abzugshaube ausgeführt werden. Zum Zugriff auf das Konfigurationsmenü anhaltend **T2+T3** drücken; sobald man sich im Menü befindet, beginnt **T1** zu pulsieren. Die Standardeinstellung ist:

- **Fettfilter** Anzeige (**T2**) eingeschaltet, daher aktiv;
- **Geruchsfilter** Anzeige (**T3**) abgeschaltet, daher nicht aktiviert.

T2 aktiviert/deaktiviert die Anzeige des Fettfilters. **T3** aktiviert/deaktiviert die Anzeige des Geruchsfilters. Zum Verlassen des Menüs anhaltend **T1** drücken oder **10"** warten

Wiederherstellung des Filters

Die Abzugshaube zeigt in regelmäßigen Abständen an, dass die Filter gewartet werden müssen:

- Fettfilter alle **40 Stunden**;
 - Geruchsfilter alle **160 Stunden**.
- In diesem Fall signalisiert die Benutzeroberfläche bei abgeschalteter Haube, wenn der Benutzer eine beliebige Taste berührt, für **10"** zwei Arten von Bedürfnissen:
- wenn **T1+T2** pulsieren: **Wartung Fettfilter**;
 - wenn **T1+T3** pulsieren: **Wartung Geruchsfilter**.

Während der **10"** ist es möglich, den Fettfilter durch Druck von **T1+T2** und den Geruchsfilter durch Druck von **T1+T3** wiederherzustellen. Am Ende der Wiederherstellung blinken die Tastenkombinationen zwei Mal schnell. Die Benutzeroberfläche funktioniert jetzt wie üblich.

Achtung:

Während der **10"** funktioniert die Abzugshaube auf normale Weise, aber es gibt keine visuelle Rückmeldung zu den Geschwindigkeitstastern. Wenn während der **10"** keine Funktion aktiviert wird, hören die LEDs auf zu pulsieren und die visuelle Rückmeldung kehrt zum Normalzustand zurück.

WARTUNG

Reinigung

Zur Reinigung **AUSSCHLIESSLICH** ein mit flüssigem Neutralreiniger getränktes Tuch verwenden. **KEINE WERKZEUGE ODER GERÄTE FÜR DIE REINIGUNG VERWENDEN !** Keine Produkte verwenden, die Scheuermittel enthalten. **KEINEN ALKOHOL VERWENDEN !**

Perimetralabluftpaneel

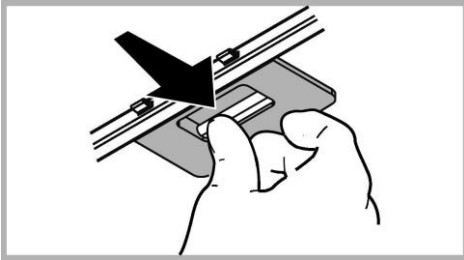
Das Perimetralabluftpaneel so oft wie den Fettschutzfilter putzen , ein Tuch und ein nicht so hoch konzentriertes Reinigungsmittel benutzen. Niemals Schleifmittel benutzen.

Wartung der Fettfilter

Diese dienen dazu, die Fettpartikel, die beim Kochen frei werden, zu binden.

Der **Metallfettfilter** muss einmal monatlich gewaschen werden. Das kann mit einem milden Waschmittel von Hand, oder in der Spülmaschine bei niedriger Temperatur und Kurzspülgang erfolgen. Der Metallfettfilter kann bei der Reinigung in der Spülmaschine abfärben, was seine Filtermerkmale jedoch in keiner Weise beeinträchtigt.

Zwecks Demontage der Fettfilter den Aushakgriff ziehen.



Wartung des Aktivkohlefilters

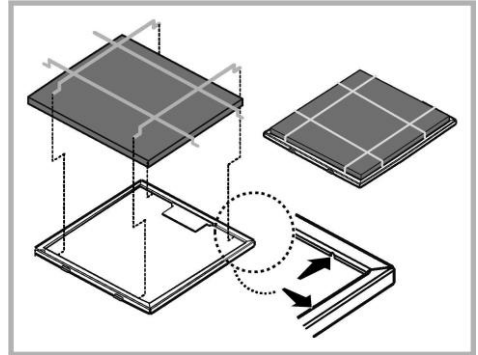
Dieser Filter bindet die unangenehmen Gerüche, die beim Kochen entstehen.

Mattenfilter (wird mit dem Produkt geliefert)

Der Aktivkohlefilter wird alle zwei Monate (oder wenn das Sättigungsanzeigesystem der Filter – sofern bei dem jeweiligen Modell vorgesehen – diese Notwendigkeit anzeigt) in warmem Wasser und geeigneten Waschmitteln oder in der Spülmaschine bei 65°C gewaschen (in diesem Fall den vollständigen Spülzyklus – ohne zusätzliches Geschirr im Inneren der Geschirrspülmaschine - einschalten).

Das überschüssige Wasser entfernen, ohne dabei den Filter zu beschädigen; danach diesen bei 100° für 10 Minuten in den Ofen legen, um ihn vollständig zu trocknen. Das Vlies muss alle 3 Jahre ausgewechselt werden und weiterhin jedes Mal dann, wenn es beschädigt ist.

Der Mattenfilter kann mit einem runden Kohlefilter ausgetauscht werden.



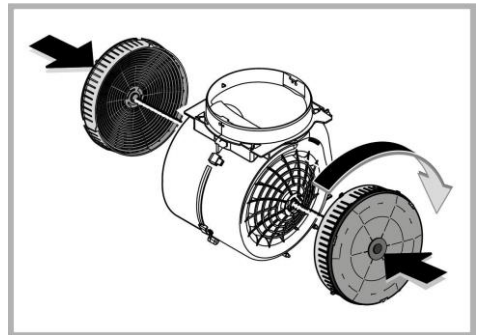
Runde Aktivkohlefilter

Links und rechts vom Motorlaufrad je einen Kohlefilter auf das Schutzgitter auflegen und zum Befestigen den Zentralgriff P im Uhrzeigersinn drehen.

Zum Ausbau den Zentralgriff P entgegen dem Uhrzeigersinn drehen.

Je nach der Benutzungsdauer des Herdes und der Häufigkeit der Reinigung des Fettfilters tritt nach einer mehr oder weniger langen Benutzungsdauer die Sättigung des **Aktivkohlefilters** auf. Auf jeden Fall muß der Filtereinsatz mindestens alle 4 Monate ausgewechselt werden.

Er kann **NICHT** gereinigt oder erneut aktiviert werden.



Ersetzen der Lampen

Die Haube ist mit einem auf der Leuchtdiodentechnologie basierten Beleuchtungssystem ausgestattet.

Die LEDs ermöglichen eine optimale Beleuchtung der Kochfläche. Sie haben die zehnfache Lebensdauer, verglichen mit herkömmlichen Lampen, und bieten eine Energieersparnis bis zu 90%.


Das Beleuchtungssystem kann nicht vom Anwender ausgetauscht werden, wenden Sie sich bitte bei Betriebsstörungen an den Kundendienst.

ENTSORGUNG

In Übereinstimmung mit den Anforderungen der Europäischen Richtlinie 2012/19/EC - UK SI 2013 No.3113 über Elektro- und Elektronik-Altgeräte (WEEE) ist vorliegendes Gerät mit einer Kennzeichnung versehen.

Sie leisten einen positiven Beitrag für den Schutz der Umwelt und die Gesundheit des Menschen, wenn Sie dieses Gerät einer gesonderten Abfallsammlung zuführen. Im unsortierten Siedlungsmüll könnte ein solches Gerät durch unsachgemäße Entsorgung negative Konsequenzen nach sich ziehen.



Auf dem Produkt oder der beiliegenden Produktdokumentation ist folgendes Symbol  einer durchgestrichenen Abfalltonne abgebildet. Es weist darauf hin, dass eine Entsorgung im normalen Haushaltsabfall nicht zulässig ist. Entsorgen Sie dieses Produkt im Recyclinghof mit einer getrennten Sammlung für Elektro- und Elektronikgeräte. Die Entsorgung muss gemäß den örtlichen Bestimmungen zur Abfallbeseitigung erfolgen.

Bitte wenden Sie sich an die zuständigen Behörden Ihrer Gemeindeverwaltung, an den lokalen Recyclinghof für Haushaltsmüll oder an den Händler, bei dem Sie dieses Gerät erworben haben, um weitere Informationen über Behandlung, Verwertung und Wiederverwendung dieses Produkts zu erhalten.

Für Deutschland regelt das Elektrogesetz die Rückgabe von Elektrogeräten noch weitreichender. Altgeräte können kostenfrei im lokalen Wertstoff- oder Recyclinghof abgegeben werden. Das Gesetz sieht weitere kostenfreie Rückgabemöglichkeiten für Elektround Elektronik-Altgeräte im Handel vor:

- Für Produkte, die sie direkt bezogen haben, bieten wir die optionale Rücknahme ihres Altgerätes bei Anlieferung des neuen Gerätes durch den Spediteur.
- Rückgabe in Elektrofachmärkten mit einer Verkaufsfläche von mindestens 400m²
- Rückgabe in Lebensmittelmärkten mit einer Verkaufsfläche von mindestens 800m², wenn diese regelmäßig Elektrogeräte zum Kauf anbieten.
- Rücknahmen über den Versandhandel Für Haushaltsgroßgeräte mit einer Kantenlänge über 25cm gilt eine 1:1 Rücknahme – sie können bei Neukauf ein Altgerät der gleichen Art zurückgeben. Für Kleingeräte mit einer Kantenlänge bis 25cm besteht auch eine 0:1 Rücknahmepflicht – die Rückgabe von Geräten ist nicht an einen Neukauf gebunden.

Bitte löschen sie personenbezogene Daten auf geräte-internen Datenträgern, bevor sie das Gerät entsorgen. Sie sind verpflichtet Leuchtmittel; Batterien und Akkumulatoren getrennt zu entsorgen, sofern diese zerstörungsfrei aus dem Gerät entnehmbar sind.

Gerät entwickelt, getestet und hergestellt nach:

- Sicherheit: EN/IEC 60335-1; EN/IEC 60335-2-31, EN/IEC 62233.
- Leistungsfähigkeit/Gebrauchstauglichkeit: EN/IEC 61591; ISO 5167-1; ISO 5167-3; ISO 5168; EN/IEC 60704-1; EN/IEC 60704-2-13; EN/IEC 60704-3; ISO 3741; EN 50564; IEC 62301.
- EMC: EN 55014-1; CISPR 14-1; EN 55014-2; CISPR 14-2; EN/IEC 61000-3-2; EN/IEC 61000-3-3.

Empfehlungen für eine korrekte Verwendung, um die Umweltbelastung zu verringern: Schalten Sie die Haube beim Kochbeginn bei kleinster Geschwindigkeit EIN und lassen Sie die Haube einige Minuten nachlaufen, wenn Sie mit dem Kochen fertig sind. Erhöhen Sie die Geschwindigkeit nur bei großen Mengen von Kochdunst und Dampf und benutzen Sie die Intensivstufe(n) nur bei extremen Situationen. Wechseln Sie die Kohlefilter, wenn notwendig, um eine gute Geruchsreduzierung zu gewährleisten. Säubern Sie die Fettfilter, wenn notwendig, um eine gute Fettfiltereffizienz zu gewährleisten. Verwenden Sie den in der Gebrauchsanweisung angegebenen grössten Durchmesser des Luftaustrittsystems, um die Leistungsfähigkeit zu optimieren und die Geräuschentwicklung zu minimieren.



BETRIEBSSTÖRUNGEN

Wenn etwas nicht zu funktionieren scheint, folgende Kontrollen durchführen, bevor der Kundendienst gerufen wird:

- Wenn die Abzugshaube nicht funktioniert:
Prüfen, ob:
 - ein Stromausfall vorliegt.
 - eine Geschwindigkeit gewählt wurde.
- Wenn die Leistung der Abzugshaube mangelhaft ist:
Prüfen, ob:
 - die gewählte Motorgeschwindigkeit für die freigesetzte Menge an Rauch und Dämpfen ausreicht.
 - die Küche ausreichend belüftet ist, um eine Luftansaugung zuzulassen.
 - der Kohlefilter verbraucht ist (bei Umluftversion).
- Wenn sich die Haube im Laufe des normalen Betriebs selbst ausgeschaltet hat.
Prüfen, ob:
 - ein Stromausfall vorliegt.
 - die allpolige Trennvorrichtung ausgelöst wurde.

Die Dunstabzugshaube oder die Bedienelemente funktionieren nicht: Für mindestens 5 Sekunden die Stromversorgung der Dunstabzugshaube unterbrechen und dann die Haube erneut einschalten. Kann die Störung nicht behoben werden, kontaktieren Sie bitte den Kundendienst.

TECHNISCHE DATEN

Höhe (cm)	Breite (cm)	Tiefe (cm)	Ø des Abflutrohrs (cm)
 71-104,5	59,8 - 79,8	32,6	15
 79,5-104,5			

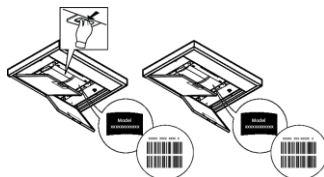


Teile, die nicht zum Lieferumfang des Produkts gehören



Sie können die **Sicherheitshinweise, Bedienungsanleitung, Technischen Daten und Energiedaten** wie folgt herunterladen:

- Besuchen Sie unsere Internetseite **docs.whirlpool.eu**
- Verwenden Sie den QR-Code
- Alternativ können Sie **unserer Kundendienst kontaktieren** (Siehe Telefonnummer in dem Garantieheft). Wird unser Kundendienst kontaktiert, bitte die Codes auf dem Typenschild des Produkts angeben.



SÉCURITÉ GÉNÉRALE

- Avant tout entretien ou nettoyage du produit débranchez l'alimentation électrique en retirant la fiche électrique ou en coupant l'interrupteur général.
 - Utilisez des gants de travail pour toute opération de nettoyage ou d'entretien.
 - Cet appareil peut être utilisé par des enfants âgés d'au moins 8 ans et par des personnes ayant des capacités physiques, sensorielles ou mentales réduites ou dénuées d'expériences ou de connaissances, sauf si ces personnes sont correctement surveillées ou si des instructions relatives à l'utilisation correcte de l'appareil permettant d'éviter tout danger leur ont été communiquées.
 - Les enfants ne doivent pas jouer avec l'appareil.
 - Le nettoyage et l'entretien par l'utilisateur ne doivent pas être effectués par des enfants sans surveillance.
 - La pièce doit avoir une aération suffisante lorsque la hotte est utilisée conjointement avec d'autres appareils fonctionnant au gaz ou autres combustibles.
 - La hotte doit être régulièrement nettoyée à la fois à l'intérieur et à l'extérieur (AU MOINS UNE FOIS PAR MOIS); cela devrait se faire en conformité avec les instructions d'entretien. Le non respect des instructions expressément fournies concernant le nettoyage de la hotte et des filtres peut provoquer des risques d'incendie.
 - Ne pas flamber d'aliments sous la hotte.
 - Pour le remplacement de la lampe, utilisez uniquement le type de lampe spécifié dans la section remplacement/maintenance lampe dans ce manuel.
L'utilisation d'une flamme nue est dommageable pour les filtres et peut causer un incendie, par conséquent, il est déconseillé de l'utiliser.
- La friture doit être faite avec soin afin de s'assurer que l'huile surchauffée ne prenne pas feu.
- AVERTISSEMENT:** Lorsque la table de cuisson est en fonctionnement, les parties accessibles de la hotte peuvent devenir très chaudes.
- Ne pas brancher l'appareil au réseau électrique avant que l'installation ne soit complètement terminée.
 - En ce qui concerne les mesures techniques et de sécurité à prendre pour l'évacuation des fumées, respectez strictement les dispositions des règlements locaux.
 - L'air ne doit pas être envoyé dans un conduit utilisé pour évacuer les fumées d'appareils utilisant du gaz ou un autre combustible.
- ▲ ATTENTION !** Le défaut d'installer les vis et les dispositifs de fixation conformément à ces instructions peut entraîner des risques électriques.
- Ne pas utiliser ou laisser la hotte sans les lampes correctement montées, car un éventuel risque de choc électrique est possible.
 - N'utilisez jamais la hotte sans la grille montée correctement!
 - La hotte ne doit JAMAIS être utilisée comme une surface d'appui, sauf indication expresse.

- Utilisez uniquement les vis de fixation fournies avec le produit pour l'installation, ou, si non fournies, acheter le type correct de vis.
- Utilisez la longueur correcte pour les vis qui sont identifiées dans le Guide d'installation.

• En cas de doute, consultez votre centre de service agréé ou du personnel qualifié.

▲ ATTENTION ! Ne pas mettre en marche au moyen d'un programmeur, d'une minuterie, ou d'un système de commande à distance séparé ou tout autre dispositif qui met l'appareil sous tension automatiquement.

Les enfants de moins de 3 ans ne doivent pas s'approcher de l'appareil. Sans la surveillance constante d'un adulte, garder l'appareil hors de la portée des enfants de moins de 8 ans.

▲ ATTENTION : l'appareil ne peut être mis en marche par le biais d'un dispositif externe ou d'un système de commande à distance séparé.

▲ Cet appareil n'est pas destiné à un usage professionnel. Ne pas utiliser l'appareil à l'extérieur.

▲ Pour éviter le risque de lésions personnelles, l'appareil doit être déplacé et installé par deux ou plusieurs personnes.

▲ L'installation, comprenant éventuellement aussi les raccords pour l'alimentation hydriques (si prévus) et les branchements électriques, et les interventions de réparation doivent être effectués par un personnel qualifié.

Après avoir complété l'installation, conserver le matériel d'emballage (plastique, polystyrène, etc.) hors de la portée des enfants pour éviter le risque d'étouffement.

Ne jamais utiliser l'appareil pieds nus ou mouillés.

Ne jamais utiliser d'appareils de nettoyage à vapeur pour éviter le risque de choc électrique.

Comme indiqué par le symbole, le matériel d'emballage est 100 % recyclable 

La hotte peut avoir des configurations esthétiques différentes par rapport à ce qui est illustré dans les dessins de ce manuel, cependant les instructions pour l'utilisation, l'entretien et l'installation restent identiques.

Suivre impérativement les instructions de cette notice. Le constructeur décline toute responsabilité pour tous les inconvénients, dommages ou incendies provoqués à l'appareil et dus à la non observation des instructions de la présente notice. Cet appareil est destiné à être utilisé dans des applications domestiques et analogues telles que : - des coins cuisines réservés au personnel dans des magasins, bureaux et autres environnements professionnels ; - des fermes ; - l'utilisation par les clients des hôtels, motels et autres environnements à caractère résidentiel ; - des environnements du type chambre d'hôtes.

- Il est important de conserver ce livret pour pouvoir le consulter à tout moment. En cas de vente, de cession ou de déménagement, assurez-vous que la notice d'utilisation l'accompagne.
- Veuillez lire attentivement les instructions, vous trouverez des informations importantes sur l'installation, le mode d'emploi et la sécurité.
- Ne pas effectuer des modifications électriques ou mécaniques sur le produit ou sur les conduits d'évacuation.
- Avant d'installer l'appareil, vérifiez qu'il n'y a aucun composant endommagé. Sinon, contactez votre revendeur et ne continuez pas l'installation.

• La distance minimum entre la surface de support des récipients sur l'appareil de cuisson et la partie la plus basse de la hotte de cuisine ne doit pas être inférieure à 45cm dans le cas de cuisinières électriques et de 65 cm dans le cas de cuisinières à gaz ou mixtes.

Si les instructions d'installation du dispositif de cuisson au gaz spécifient une plus grande distance, il faut en tenir compte.

BRANCHEMENT ÉLECTRIQUE

La tension électrique doit correspondre à la tension reportée sur la plaque signalétique située à l'intérieur de la hotte. Si une prise est présente, branchez la hotte dans une prise murale conforme aux normes en vigueur et placée dans une zone accessible également après l'installation. Si aucune prise n'est présente (raccordement direct au circuit électrique), ou si la prise ne se trouve pas dans une zone accessible également après l'installation, appliquez un disjoncteur normalisé pour assurer de débrancher complètement la hotte du circuit électrique en conditions de catégorie surtension III, conformément aux réglementations de montage.


▲ ATTENTION! Avant de rebrancher le circuit de la hotte à l'alimentation électrique et d'en vérifier le fonctionnement correct, contrôlez toujours que le câble d'alimentation soit monté correctement.

Si le câble n'est pas équipé d'une fiche, branchez les fils selon le tableau suivant:

Tension principale et fréquence

Se référer à la valeur indiquée sur l'étiquette des caractéristiques à l'intérieur de la hotte.

Branchements des fils

 : jaune/vert
N : bleu
L : brun

Changement du câble d'alimentation

La hotte est pourvue d'un câble d'alimentation spécial; en cas de détérioration du câble, en demander un neuf au service d'assistance technique.

ÉVACUATION DE L'AIR

(pour les versions aspirantes)

Relier la hotte aux tubes et trous d'évacuation de la paroi d'un diamètre équivalent à la sortie de l'air (collier de raccord).

L'utilisation de tubes et des trous d'évacuation à paroi avec un diamètre inférieur entraînera une diminution des performances d'aspiration et une nette augmentation du bruit.

Nous déclinons toute responsabilité à cet égard.

- ! Utiliser un tuyau de la longueur strictement nécessaire.
- ! Les coudes du tuyau doivent être en nombre minime (angle maxi du coude: 90°).
- ! Éviter les variations excessives de section du tuyau.
- ! La société décline toute responsabilité si ces normes ne sont pas respectées.

FILTRANTE OU ASPIRANTE ?

! Votre hotte est prête pour être utilisée en version aspirante.

Pour utiliser la hotte en version filtrante, il faut installer le KIT ACCESSOIRES prévu.

Vérifier dans les premières pages de ce manuel si le KIT ACCESSOIRES est déjà fourni ou s'il faut l'acheter à part.

Remarque: Si fourni dans le kit, dans certains cas, le système de filtration supplémentaire à base de charbon actif pourrait déjà être installé dans la hotte.

Les informations pour la transformation de la hotte de version aspirante à version filtrante sont déjà contenues dans ce manuel.

Version aspirante

Les vapeurs sont évacuées vers l'extérieur à travers un conduit d'évacuation fixé à la bride de raccord qui se trouve au-dessus de la hotte.

ATTENTION!

Le tuyau d'évacuation n'est pas fourni et doit être acheté à part.
Le diamètre du tuyau d'évacuation doit être égal à celui de la bride de raccord.

ATTENTION!

Si la hotte est équipée d'un filtre à charbon, ce dernier doit être enlevé.

Version filtrante

L'air d'aspiration sera dégraissé et désodorisé avant d'être renvoyé dans la pièce.
Pour utiliser la hotte dans cette version, vous devez installer un système de filtrage supplémentaire basé sur charbon actif.

COMMANDES

La hotte est équipée d'un panneau de contrôle doté d'une commande de vitesse d'aspiration et d'une commande d'éclairage du plan de cuisson.



Première vitesse (T1)

Presser **T1** pour activer la première vitesse. Quand la fonction est activée, la LED s'éclaire en mode fixe. Appuyer de nouveau sur **T1** pour éteindre la hotte.

Deuxième vitesse (T2)

Presser **T2** pour activer la deuxième vitesse. Quand la fonction est activée, la LED s'éclaire en mode fixe. Appuyer de nouveau sur **T2** pour éteindre la hotte.

Troisième vitesse et BOOSTER (T3)

Si la hotte est désactivée ou si la première ou la seconde vitesse sont activées, la troisième peut être activée en appuyant sur **T3** et la LED s'éclaire en mode fixe.

Une autre pression sur **T3** active le booster. Le booster peut être activé uniquement si la troisième vitesse est active. Lorsque le booster est activé, la LED **T3** commence à clignoter. Pendant que le booster est en fonction, il est possible de passer à la première ou à la seconde vitesse en pressant le bouton de vitesse désirée **T1** ou **T2**, le booster s'éteint et la vitesse sélectionnée démarre. Quand le booster est en marche, presser de nouveau **T3** pour arrêter la hotte.

Après 5' le booster s'éteint automatiquement et la troisième vitesse s'active automatiquement.

Timer (Minuteur)-T4

Le timer peut être activé aussi si les trois vitesses le sont. Quand la fonction est activée, la LED du Timer (**T4**) ainsi que celle de la vitesse précédente sélectionnée (**T1/T2/T3**) s'éclaire en mode fixe.

La durée du timer dépend de la vitesse sélectionnée

première vitesse **T1= durée 20'**

Deuxième vitesse **T2= durée 15'**

Troisième vitesse : **T3 = durée 10'**

Le timer ne peut être activé quand le booster est sélectionné. Le temps écoulé, la hotte s'éteint. Lorsqu'une vitesse est programmée, il est possible de passer à une autre en pressant la touche correspondante, cette opération arrête le timer.

Lorsqu'une vitesse est programmée, il est possible de désactiver le timer en appuyant sur **T4**, ou une des deux autres vitesses désactivées. Pour éteindre la hotte, appuyer de nouveau sur la vitesse précédemment programmée.

Éclairage (T5)

L'éclairage peut être activé à tout moment en appuyant sur la touche **T5**. Quand la fonction est activée, la LED s'éclaire en mode fixe.

Configuration filtre

L'activation ou la désactivation des indicateurs du filtre peut être effectuée uniquement si la hotte est éteinte.

Pour accéder au menu configuration, presser longuement **T2 + T3** une fois dans le menu **T1** commence à clignoter.

La configuration prédéfinie est :

– **filtre anti-graisse** voyant (**T2**) éclairé, donc activé ;

– **filtre anti odeur** voyant (**T3**) éteint, donc désactivé.

T2 active/désactive le voyant du filtre à graisse. **T3** active/désactive le voyant du filtre anti-odeurs. Pour sortir du menu, presser longuement **T1** ou bien attendre **10"**

Réinitialisation du filtre

La hotte signale à intervalles réguliers que les filtres doivent être nettoyés :

– filtre à graisse toutes les **40 heures** ;

– filtre anti-odeurs toutes les **160 heures** ;

Dans ce cas, avec la hotte éteinte, lorsque l'utilisateur touchera une des touches, l'interface signalera pendant **10"** deux types de nécessité :

– si **T1+T2** clignotent : **entretien du filtre à graisse** ;

– si **T1+T3** clignotent : **entretien du filtre anti-odeurs**.

Pendant les **10"** il est possible de réinitialiser le filtre à graisse en appuyant sur **T1 +T2** et le filtre anti-odeurs avec **T1+T3**. Une fois effectuée la réinitialisation, les combinaisons de touches clignotent rapidement deux fois. L'interface maintenant fonctionne normalement.

Attention :

Pendant les **10"**, la hotte fonctionnera normalement mais il n'y aura aucun retour visible sur les touches de vitesse. Si pendant les **10"** aucune opération n'est effectuée, les LED cesseront de clignoter et les feedbacks (retour) visibles redeviendront normaux.

ENTRETIEN

Nettoyage

Pour le nettoyage, utilisez **EXCLUSIVEMENT** un chiffon humidifié avec des détergents liquides neutres. **NE PAS UTILISER D'OUTILS OU D'INSTRUMENTS POUR LE NETTOYAGE !** Évitez l'usage de produits abrasifs, **NE PAS UTILISER D'ALCOOL !**

Panneau d'aspiration périmétral

Nettoyer le panneau d'aspiration périmétral à la même fréquence que le filtre anti-graisses, utiliser un chiffon et un détergent liquide pas trop concentré. Ne jamais utiliser de substances abrasives.

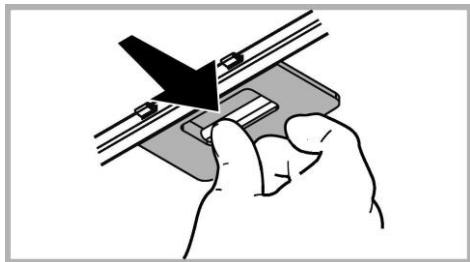
Entretien des filtres anti-graisses

Il retient les particules de graisse issues de la cuisson.

Le **filtre anti-graisse métallique** doit être nettoyé une fois par mois avec des détergents non agressifs, à la main ou dans le lave-vaisselle à faibles températures et cycle rapide.

Le lavage du filtre anti-graisse métallique au lave-vaisselle peut en provoquer la décoloration. Toutefois, les caractéristiques de filtrage ne seront en aucun cas modifiées.

Pour démonter le filtre anti-graisse, tirez la poignée de décrochement à ressort.



Entretien des filtres au charbon

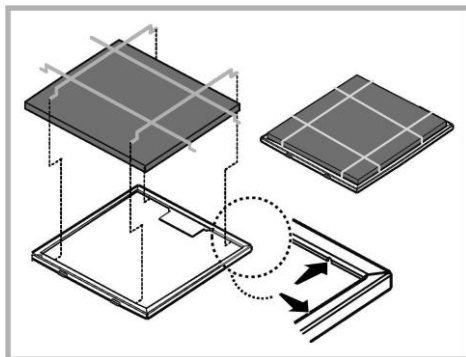
Retient les odeurs désagréables de cuisson.

Filtre à tapis (fourni avec le produit)

Le filtre à charbon peut être nettoyé tous les deux mois (ou lorsque le système d'indication de saturation des filtres – si prévu sur le modèle possédé – indique cette nécessité) avec de l'eau chaude et au moyen de détergents appropriés ou dans le lave-vaisselle à 65°C (dans le cas de lavage dans le lave-vaisselle suivre un cycle de lavage complet sans vaisselle à l'intérieur).

Enlever l'eau qui excède en faisant attention de ne pas abîmer le filtre, ensuite le mettre dans le four pendant 10 minutes à 100°C pour le sécher définitivement. Remplacer le coussinet tous les 3 ans et chaque fois que le filtre sera abîmé.

Le filtre à tapis peut être remplacé par le Filtre à charbon circulaire.



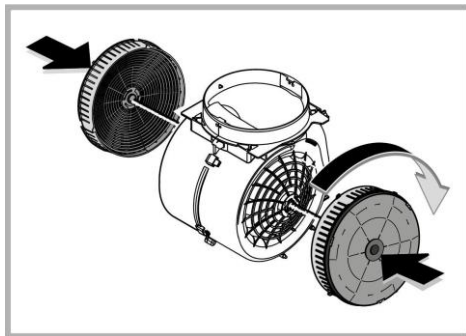
Filtre au charbon circulaire

En appliquer un par côté en couverture des deux grilles de protection des bras du moteur, ensuite tourner dans le sens des aiguilles d'une montre.

Pour le démontage tourner dans le sens inverse des aiguilles d'une montre.

La saturation du **charbon actif** se constate après un emploi plus ou moins long, selon la fréquence d'utilisation et la régularité du nettoyage du filtre à graisses. Il est nécessaire de changer le filtre après quatre mois, au maximum.

IL NE PEUT PAS être nettoyé ou régénéré.



Remplacement des lampes

La hotte est dotée d'un système d'éclairage basé sur la technologie LED.

Les LEDS garantissent un éclairage optimal, une durée jusqu'à 10 fois supérieure aux ampoules traditionnelles et permettent une économie de 90% en énergie électrique.


Le système d'éclairage ne peut pas être remplacé par l'utilisateur ; en cas de dysfonctionnement, contactez le service d'assistance.

ÉLIMINATION

Cet appareil porte le symbole du recyclage conformément à la Directive Européenne 2012/19/EC - UK SI 2013 No.3113 concernant les Déchets d'Équipements Électriques et Électroniques (DEEE ou WEEE).

En procédant correctement à la mise au rebut de cet appareil, vous contribuerez à empêcher toute conséquence nuisible pour l'environnement et la santé de l'homme.



Le symbole  présent sur l'appareil ou sur la documentation qui l'accompagne indique que ce produit ne peut en aucun cas être traité comme déchet ménager. Il doit par conséquent être remis à un centre de collecte des déchets chargé du recyclage des équipements électriques et électroniques.

Pour la mise au rebut, respectez les normes relatives à l'élimination des déchets en vigueur dans le pays d'installation.

Pour obtenir de plus amples détails au sujet du traitement, de la récupération et du recyclage de cet appareil, veuillez vous adresser au bureau compétent de votre commune, à la société de collecte des déchets ou directement à votre revendeur.

Appareil conçu, testé et fabriqué conformément aux normes suivantes :

- Sécurité : EN/IEC 60335-1; EN/IEC 60335-2-31, EN/IEC 62233.
- Performances : EN/IEC 61591; ISO 5167-1; ISO 5167-3; ISO 5168; EN/IEC 60704-1; EN/IEC 60704-2-13; EN/IEC 60704-3; ISO 3741; EN 50564; IEC 62301.
- EMC: EN 55014-1; CISPR 14-1; EN 55014-2; CISPR 14-2; EN/IEC 61000-3-2; EN/IEC 61000-3-3.

Suggestions pour une utilisation correcte afin de réduire l'impact environnemental : allumer la hotte à la vitesse minimum pendant la cuisson et la laisser fonctionner pendant quelques minutes après la fin de la cuisson. Augmenter la vitesse uniquement en présence d'une grande quantité de fumée ou de vapeur et n'utiliser la/les vitesse(s) accélérées que dans les cas extrêmes. Remplacer le(s) filtre(s) à charbon lorsque cela est nécessaire afin de maintenir une réduction efficace des odeurs. Nettoyer le(s) filtres à graisse lorsque cela est nécessaire afin de maintenir un filtrage efficace des graisses. Utiliser un système de tuyauterie du diamètre maximum indiqué dans ce manuel afin d'optimiser le rendement et de minimiser le bruit.





ANOMALIES DE FONCTIONNEMENT

En cas d'anomalie de fonctionnement, avant de faire appel au service d'assistance, effectuer les contrôles suivants:

- Si la hotte ne fonctionne pas:
S'assurer:
 - de l'absence de coupure de courant.
 - qu'une vitesse a été sélectionnée.
- Si la hotte a un faible rendement:
S'assurer:
 - que la vitesse du moteur sélectionnée est suffisante pour la quantité de fumée et de vapeurs libérées.
 - que la cuisine est insuffisamment aérée pour assurer une prise d'air.
 - que le filtre à charbon n'est pas usé (hotte en version filtrante).
- Si la hotte s'éteint durant son fonctionnement normal:
S'assurer:
 - de l'absence de coupure de courant.
 - que le dispositif d'interruption omnipolaire ne s'est pas déclenché.

Si la hotte ne fonctionne pas correctement, débranchez la prise pendant environ 5 secondes, puis rebranchez-la. Si le problème persiste, contactez le service de réparation compétent.

DONNÉES TECHNIQUE

Hauteur (cm)	Largeur (cm)	Profondeur (cm)	Ø de tube d'évacuation (cm)
 71-104,5	59,8 - 79,8	32,6	15
 79,5-104,5			

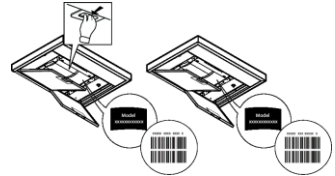


Éléments non fournis avec la hotte



Vous pouvez télécharger les consignes de sécurité, le manuel de l'utilisateur, la fiche produit et les données énergétiques en :

- Visitant notre site internet docs.whirlpool.eu
- Utilisant le Code QR
- Vous pouvez également **contacter notre service après-vente** (voir numéro de téléphone dans le livret de garantie). Lorsque vous contactez notre Service Après-vente, veuillez indiquer les codes visibles sur la plaque signalétique de l'appareil.



SEGURIDAD GENERAL

- Antes de llevar a cabo cualquier operación de limpieza o mantenimiento, desconectar la campana de la alimentación eléctrica desenchufando la clavija o desconectando el interruptor general de la vivienda.
 - Para todas las operaciones de instalación y mantenimiento utilizar los guantes de trabajo.
 - El aparato puede ser usado por niños mayores a 8 años y por personas con discapacidades físicas, sensoriales o mentales, o con falta de experiencia o de conocimiento necesario, previsto que estén bajo vigilancia o después de que las mismas hayan recibido instrucción relacionada con el uso seguro del aparato y de la comprensión de los peligros inherentes a éste.
 - Los niños deben ser supervisados para asegurarse de que no jueguen con el aparato.
 - La limpieza y el mantenimiento no deben ser realizados por niños sin debida supervisión.
 - La habitación debe estar suficientemente ventilada cuando la campana se utiliza contemporáneamente con otros dispositivos a combustión de gas u otros combustibles.
 - La campana debe ser limpiada con frecuencia, tanto internamente como externamente (POR LO MENOS UNA VEZ AL MES), en todo caso seguir lo que se indica expresamente en las instrucciones de mantenimiento.
 - La inobservancia de las normas de limpieza de la campana y del cambio y la limpieza puede comportar riesgo de incendios.
 - Es estrictamente prohibido flamear los alimentos bajo la campana.
 - Para la sustitución de la lámpara sólo utilizar el tipo de lámpara indicado en la sección de mantenimiento/sustitución de este manual.
- El uso de una llama libre es perjudicial para los filtros y puede provocar incendios, por lo tanto, debe evitarse en cualquier caso.
- Las frituras deben realizarse con cuidado para evitar que el aceite caliente prenda fuego.
- ATENCIÓN:** Cuando la placa de cocción está funcionando las partes accesibles de la campana pueden calentarse.
- No conectar la unidad a la red eléctrica hasta que la instalación sea totalmente completada.
 - En cuanto a las medidas técnicas y de seguridad a adoptar para la descarga de los humos, seguir estrictamente lo previsto por los reglamentos de las autoridades locales competentes.
 - El aire aspirado no debe ser transportado en un conducto usado para la descarga de humos producidos por dispositivos de combustión a gas u otros combustibles.
- ▲ ¡ATENCIÓN!** Si no se instalan los tornillos y elementos de fijación de acuerdo con estas instrucciones se puede incurrir en riesgos de naturaleza eléctricos.
- No utilizar ni dejar la campana sin las luces correctamente instaladas debido al posible

riesgo de descarga eléctrica.

- No utilizar nunca la campana sin la rejilla montada correctamente!
- La campana NUNCA debe utilizarse como una superficie de apoyo a menos que así se indique específicamente.
- Utilizar sólo los tornillos para fijación suministrados con el producto para su instalación, o, si no se suministran, comprar el tipo correcto de tornillos. Utilizar la longitud correcta para los tornillos que se identifican en la Guía de instalación.
- En caso de duda, consultar el centro de asistencia autorizado o un similar personal calificado.

⚠ ¡ATENCIÓN! No utilizar con un programador, temporizador, mando a distancia separado o cualquier otro dispositivo que se active automáticamente.

Mantener a los niños menores de 3 años alejados del equipo. Sin la vigilancia constante de un adulto, mantener el equipo alejado del alcance de niños menores de 8 años.

⚠ ATENCIÓN: el equipo no está destinado para ser puesto en funcionamiento mediante un dispositivo externo o un sistema de mando a distancia separado.

⚠ Este equipo no está destinado al uso profesional. No utilizar el equipo al abierto.

⚠ Para evitar el riesgo de lesiones personales, el equipo debe ser movilizado e instalado por dos o más personas.

⚠ La instalación, incluye además eventuales empalmes para la alimentación hídrica (si están previstos) y las conexiones eléctricas, y las intervenciones de reparación deben ser realizadas por personal cualificado.

Al finalizar la instalación, conservar el material de embalaje (partes en plástico, polistireno, etc.) fuera del alcance de los niños para evitar el riesgo de asfixia. .

No utilizar el equipo cuando se está mojado o descalzo.

Nunca utilizar equipos para limpieza a vapor – riesgo de descarga eléctrica.

El material del embalaje es reciclable al 100% y está marcado con el símbolo de reciclaje



La campana puede ser diferente con respecto a los dibujos de este manual, aunque las instrucciones para su uso, la manutención y la instalación son las mismas.

Aténgase estrictamente a las instrucciones del presente manual. Se declina cada responsabilidad por eventuales inconvenientes, daños o incendios provocados al aparato originados por la inobservancia de las instrucciones colocadas en este manual. La campana extractora ha sido ideada para la aspiración de humos y vapores producidos durante la cocción y para el uso doméstico.

- Es importante guardar este manual para poder consultar si fuera necesario. En el caso de venta, de inutilidad o de mudanza, asegurarse que quede junto al producto.
- Leer atentamente las instrucciones: contiene importantes informaciones sobre la instalación, el uso y la seguridad.
- No realizar variaciones eléctricas o mecánicas en el producto o en el tubo de escape.
- Antes de instalar el aparato, controlar que todas sus partes no estén dañadas. En caso contrario llamar al revendedor y no realizar la instalación.

• La distancia mínima entre la superficie de cocción y la parte más baja de la campana no debe ser inferior a 45cm en el caso de cocinas eléctricas y de 65cm en el caso de cocinas a gas o mixtas.

Si las instrucciones para la instalación del dispositivo para cocinar con gas especifican una distancia mayor, hay que tenerlo en consideración.

CONEXIÓN ELÉCTRICA

La tensión de red debe corresponder con la tensión indicada en la etiqueta colocada en el interior de la campana. Si es suministrada con un enchufe, conectar la campana a un enchufe conforme a las normas en vigor y colocarlo en una zona accesible, aun después de la instalación. Si no es suministrada con enchufe (conexión directa a la red) o clavija y no es posible situarla en un lugar accesible, aun después de la instalación, colocar un interruptor bipolar de acuerdo con las normativas, para asegurarse la desconexión completa a la red en el caso de la categoría de alta tensión III, conforme con las reglas de instalación.

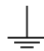
▲ ATENCIÓN! Antes de reconectar el circuito de la campana a la red y de verificar el correcto funcionamiento, controlar siempre que el cable de red fue montado correctamente.

Si el cable no dispone de enchufe, conecte los cables tal como indica la siguiente tabla:

Tensión y frecuencia de la red eléctrica

Consultar el valor indicado en la etiqueta de características dentro de la campana.

Conexión por cable

 : amarillo/verde
N : azul
L : marrón

Sustitución del cable de alimentación

La campana está provista de un cable de alimentación especial; si el cable se daña, solicite uno nuevo al Servicio de Asistencia Técnica.

EXTRACCIÓN DE AIRE

(Para las versiones aspirantes) Conectar la campana en los tubos y en los orificios de escape de pared con diámetro equivalente a la salida del aire (brida de empalme).

El uso de tubos u orificios de escape de pared con diámetro inferior, determinará una reducción de los rendimientos de la aspiración y un drástico aumento del ruido.

Se deslinda responsabilidad.

- ! Utilice un conducto cuya longitud sea la mínima indispensable.
- ! Utilice un conducto con el menor número posible de curvas (ángulo máximo de la curva: 90°).
- ! Evite los cambios drásticos en la sección del conducto
- ! La empresa declina cada responsabilidad en caso de que estas normas no sean respetadas!

¿ FILTRANTE O ASPIRANTE ?

! Su campana extractora está lista para ser usada en versión aspirante.

Para utilizar la campana en versión filtrante se instala el KIT ACCESORIO.

Controle en las primeras paginas de este manual si el KIT ACCESORIO ya está proveído o si hay que comprarlo.

Nota: Si proveído, en algunos casos, el sistema de filtración añadido a base de carbones activos podría estar ya instalado en la campana.

Las informaciones para la transformación de la campana en versión aspirante a versión filtrante ya están presentes en este manual.

Versión aspirante

El vapor es evacuado hacia el exterior a través de un tubo de escape introducido en el aro de sujeción que se encuentra arriba de la campana.

ATENCIÓN!

El diámetro del tubo de escape debe ser igual al diámetro del aro de sujeción.

ATENCIÓN!

Si la campana está provista de filtro de carbón, hay que sacarlo.

Versión filtrante

El aire aspirado vendrá desgrasado y desodorizado antes de ser alimentado de nuevo en la habitación.

Para utilizar la campana en esta versión es necesario instalar un sistema de filtración adicional a base de carbón activado.

MANDOS

La campana está dotada de un panel de mandos con control de las velocidades de aspiración y control de encendido de la luz para la iluminación del plano de cocción.



T1



T2



T3



T4



T5

Primera velocidad (T1)

Pulse **T1** para activar la primera velocidad. Cuando la función está activada, el LED se enciende con luz fija. Pulse de nuevo **T1** para apagar la campana.

Segunda velocidad (T2)

Pulse **T2** para activar la segunda velocidad. Cuando la función está activada, el LED se enciende con luz fija. Pulse de nuevo **T2** para apagar la campana.

Tercera velocidad y función BOOSTER (T3)

Cuando la campana está desactivada o la primera o segunda velocidad están activadas, se puede activar la tercera velocidad pulsando el botón **T3** y el LED se enciende, con luz fija.

Pulsando de nuevo **T3**, se activa la función booster. La función booster se puede activar solamente cuando la tercera velocidad ya ha sido activada. Cuando la función booster está encendida, el LED **T3** comenzará a parpadear. Mientras que la función booster está funcionando, se puede pasar a la primera o la segunda velocidad pulsando el botón de velocidad deseado **T1** o **T2**, la función booster se apagará y se activará la velocidad seleccionada.

Cuando la función booster está encendida, pulse de nuevo **T3** para apagar la campana.

Después de 5' la función booster se apaga automáticamente y la tercera velocidad se activa automáticamente.

Temporizador (T4)

El temporizador se puede activar cuando está activada la primera, la segunda o la tercera velocidad. Cuando la función está activada, tanto el LED del Temporizador (**T4**) como aquellos de la velocidad seleccionada anteriormente (**T1/T2/T3**) se encienden con luz fija.

La duración de activación del temporizador depende de la velocidad seleccionada:

Primera velocidad **T1 = duración 20'**

Segunda velocidad **T2 = duración 15'**.

Tercera velocidad: **T3 = duración 10'**.

El temporizador no se puede activar cuando la función booster está activada. Cuando finaliza el intervalo de tiempo, la campana se apaga. Cuando una velocidad está temporizada, se puede pasar a otras velocidades pulsando el botón de velocidad deseado, esta operación apagará el temporizador.

Cuando una velocidad está temporizada, se puede desactivar el temporizador pulsando **T4**, o bien una de las otras dos velocidades no activadas. Para apagar la campana, pulse de nuevo la velocidad a la que había sido aplicada anteriormente la temporización.

Luz (T5)

La luz se puede activar en cualquier momento pulsando el botón T5. Cuando la función está activada, el LED se enciende con luz fija.

Ajuste del filtro

La activación o desactivación de los indicadores del filtro se puede efectuar únicamente cuando la campana está apagada.

Para acceder al menú de ajuste, pulse de manera prolongada **T2+T3**, tras acceder al menú **T1** comenzará a parpadear.

A continuación el ajuste predefinido:

- **filtro de grasa** indicador (**T2**) encendido, por tanto activado;
- **filtro de olores** indicador (**T3**) apagado, por tanto no activado.

T2 activa/desactiva el indicador del filtro de grasa. **T3** activa/desactiva el indicador del filtro de olores. Para salir del menú, pulse de manera prolongada **T1** o bien espere **10''**

Restablecimiento del filtro

La campana señala a intervalos de tiempo regulares que los filtros deben ser sometidos a mantenimiento:

- filtro de grasa cada **40 horas**;
- filtro de olores cada **160 horas**.

En esto caso, con la campana apagada, cuando el usuario tocará un botón cualquiera, la interfaz señalará durante **10''** dos tipos de necesidades:

- si **T1+T2** parpadean: **Mantenimiento filtro de grasa**;
- si **T1+T3** parpadean: **mantenimiento filtro de olores**.

Durante los **10''** es posible restablecer el filtro de grasa pulsando **T1+T2** y restablecer el filtro de olores pulsando **T1+T3** Al final del restablecimiento, las combinaciones de botones se encenderán dos veces de modo intermitente. La interfaz ahora funcionará normalmente.

Atención:

Durante los **10''**, la campana funcionará normalmente, sin embargo no habrá indicaciones visuales en los botones de velocidad. Si durante los **10''** no se efectúa ninguna operación, los ledes dejarán de parpadear y las indicaciones visuales volverán a la normalidad.

MANTENIMIENTO

Limpeza

Para la limpieza, utilice **EXCLUSIVAMENTE** un paño impregnado de detergente líquido neutro. **¡NO UTILICE UTENSILIOS O INSTRUMENTOS PARA LA LIMPIEZA!** No utilice productos que contengan abrasivos. **¡NO UTILICE ALCOHOL! ¡NO UTILICE DESINFECTANTES NI PRODUCTOS QUE CONTENGAN CLORO!**

Panel de aspiración perimetral

Limpiar el panel de aspiración perimetral con la misma frecuencia del filtro antigrasas. Usar un paño y un detergente líquido no muy concentrado. No utilice sustancias abrasivas.

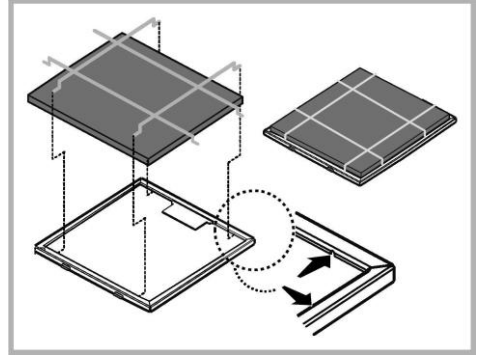
Mantenimientos de los filtros antigrasa

Retiene las partículas de grasa producidas cuando se cocina.

El **filtro antigrasa metálico** debe limpiarse una vez al mes con detergentes no agresivos, manualmente o bien en lavavajillas a bajas temperaturas y con ciclo breve.

Con el lavado en el lavavajilla el filtro antigrasa metálico puede desteñirse pero sus características de filtrado no cambian absolutamente.

Para desmontar el filtro antigrasa, tirar de la manija de desenganche de muelle.



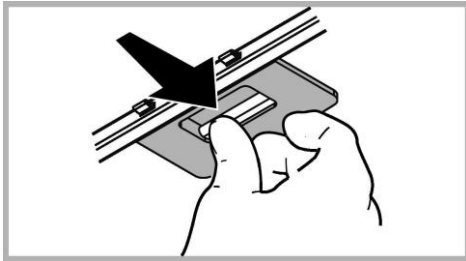
Filtro de carbón circular

Aplicar uno por lado para cubrir ambas rejillas de protección del rotor del motor, después girar en sentido horario.

Para el desmontaje, girar en sentido antihorario.

La saturación del **carbón activado** ocurre después de más o menos tiempo de uso prolongado, dependiendo del tipo de cocina y de la regularidad de limpieza del filtro de grasa. En cualquier caso es necesario sustituir el cartucho al menos cada 4 meses.

NO puede lavarse o reciclarse.



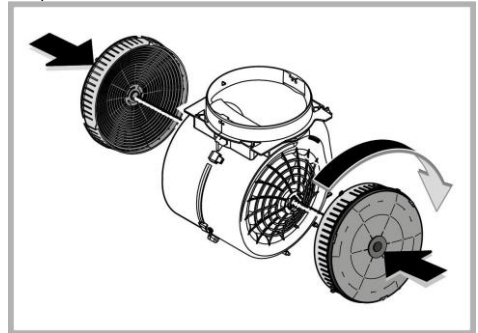
Mantenimiento del filtro al carbón

Retiene los olores desagradables producidos por la cocción de alimentos.

Filtro de colchón (suministrado con el producto)

El filtro al carbón puede lavarse cada dos meses (o cuando el sistema de indicación de saturación de los filtros - si está previsto en el modelo que se posee - indica esta necesidad) con agua caliente y detergentes adecuados o en lavavajillas a 65°C (en caso de lavado con lavavajillas, realice el ciclo de lavado completo sin platos en el interior.). Quite el agua que haya quedado en el filtro sin estropearlo, después póngalo en el horno a 100°C durante diez minutos para secarlo completamente. Cambie el almohadillado cada 3 años y cada vez que el paño se estropee.

El filtro de colchón puede ser sustituido con el Filtro de carbón circular.



Sustitución de la lámpara

La campana viene provista de un sistema de iluminación basado en la tecnología LED.

Los LEDS garantizan una óptima iluminación, una duración hasta 10 veces mayor de las lámparas tradicionales y permiten ahorrar el 90% de energía eléctrica. .


El sistema de iluminación no es sustituible por el usuario, en caso de mal funcionamiento póngase en contacto con el servicio de asistencia técnica.

ELIMINACIÓN

Este aparato lleva el marcado CE en conformidad con la Directiva 2012/19/EC - UK SI 2013 No.3113 del Parlamento Europeo y del Consejo sobre residuos de aparatos eléctricos y electrónicos (RAEE).

La correcta eliminación de este producto evita consecuencias negativas para el medioambiente y la salud.



El símbolo  en el producto o en los documentos que se incluyen con el producto, indica que no se puede tratar como residuo doméstico. Es necesario entregarlo en un punto de recogida para reciclar aparatos eléctricos y electrónicos.

Deséchelo con arreglo a las normas medioambientales para eliminación de residuos.

Para obtener información más detallada sobre el tratamiento, recuperación y reciclaje de este producto, póngase en contacto con su Municipalidad, con el servicio de eliminación de residuos urbanos o la tienda donde adquirió el producto.

Aparato diseñado, probado y fabricado de acuerdo con:

• Seguridad: EN/IEC 60335-1; EN/IEC 60335-2-31, EN/IEC 62233.

• Prestación: EN/IEC 61591; ISO 5167-1; ISO 5167-3; ISO 5168; EN/IEC 60704-1; EN/IEC 60704-2-13; EN/IEC 60704-3; ISO 3741; EN 50564; IEC 62301.

• EMC: EN 55014-1; CISPR 14-1; EN 55014-2; CISPR 14-2; EN/IEC 61000-3-2; EN/IEC 61000-3-3.

Sugerencias para un uso correcto con el fin de reducir el impacto ambiental: Encienda la campana a la velocidad mínima cuando empiece a cocinar y mantenga en marcha durante unos minutos después de haber acabado de cocinar. Aumente la velocidad solo si se produjera una gran cantidad de humo y vapor y use la velocidad o velocidades turbo solo en situaciones extremas. Cambie el filtro o filtros de carbón cuando sea necesario para mantener un buen rendimiento en la reducción de los olores. Limpie el filtro o filtros de grasa cuando sea necesario para mantener un buen rendimiento del filtro de grasa. Utilice el diámetro máximo del sistema de conductos indicado en este manual, para optimizar el rendimiento y minimizar el ruido.

ANOMALÍAS DE FUNCIONAMIENTO

Si alguna pieza parece no funcionar, realice los siguientes controles antes de llamar al Servicio de Asistencia:

• Si la campana no funciona:

Compruebe que:

- no haya interrupciones de corriente.
- se haya seleccionado una velocidad.

• Si la campana presenta un rendimiento escaso:

Compruebe que:

- La velocidad del motor seleccionada es suficiente para la cantidad de humo y vapores emitida.
- La cocina está suficientemente ventilada para permitir una toma de aire.
- el filtro de carbón no está gastado (campana en versión filtrante).



• Si la campana se ha apagado durante el funcionamiento normal:

Compruebe que:

- no haya interrupciones de corriente.
- el dispositivo de interrupción omnipolar no se ha disparado.

En caso de eventuales anomalías en el funcionamiento, antes de dirigirse al servicio de asistencia, desconectar el aparato de la alimentación eléctrica, extrayendo el enchufe al menos durante 5 segundos, y después conectarlo nuevamente. Si la anomalía de funcionamiento no desaparece, dirigirse al servicio de asistencia.

DATOS TÉCNICOS

Alto (cm)	Ancho (cm)	Fondo (cm)	Ø del tubo de salida (cm)
 71-104,5  79,5-104,5	59,8 - 79,8	32,6	15

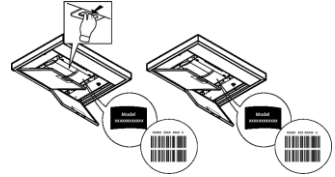


Componentes no suministrados con el producto



Puede descargarse las **Instrucciones de seguridad**, el **Manual del usuario**, la **Ficha del producto** y los **Datos de energía**:

- Visitando nuestra página web **docs.whirlpool.eu**
- Usando el código QR
- También puede, **ponerse en contacto con nuestro Servicio postventa** (Consulte el número de teléfono en el folleto de la garantía). Cuando se ponga en contacto con nuestro Servicio Postventa, deberá indicar los códigos que figuran en la placa de características de su producto.



SICUREZZA GENERALE

- Prima di qualsiasi operazione di pulizia o manutenzione, disinserire la cappa dalla rete elettrica togliendo la spina o staccando l'interruttore generale dell'abitazione.
 - Per tutte le operazioni di installazione e manutenzione utilizzare guanti da lavoro.
 - L'apparecchio può essere utilizzato da bambini di età non inferiore a 8 anni e da persone con ridotte capacità fisiche, sensoriali o mentali, o prive di esperienza o della necessaria conoscenza, purché sotto sorveglianza oppure dopo che le stesse abbiano ricevuto istruzioni relative all'uso sicuro dell'apparecchio e alla comprensione dei pericoli ad esso inerenti.
 - I bambini devono essere controllati affinché non giochino con l'apparecchio.
 - La pulizia e la manutenzione non deve essere effettuata da bambini senza sorveglianza.
 - Il locale deve disporre di sufficiente ventilazione, quando la cappa da cucina viene utilizzata contemporaneamente ad altri apparecchi a combustione di gas o altri combustibili.
 - La cappa va frequentemente pulita sia internamente che esternamente (ALMENO UNA VOLTA AL MESE), rispettare comunque quanto espressamente indicato nelle istruzioni di manutenzione. L'inosservanza delle norme di pulizia della cappa e della sostituzione e pulizia dei filtri comporta rischi di incendi.
 - E' severamente vietato fare cibi alla fiamma sotto la cappa.
 - Per la sostituzione della lampada utilizzare solo il tipo lampada indicato nella sezione manutenzione /sostituzione lampada di questo manuale.
L'impiego di fiamma libera è dannoso ai filtri e può dar luogo ad incendi, pertanto deve essere evitato in ogni caso.
La frittura deve essere fatta sotto controllo onde evitare che l'olio surriscaldato prenda fuoco.
- ATTENZIONE: Quando il piano di cottura è in funzione le parti accessibili della cappa possono diventare calde.
- Non collegare l'apparecchio alla rete elettrica finché l'installazione non è totalmente completata.
 - Per quanto riguarda le misure tecniche e di sicurezza da adottare per lo scarico dei fumi attenersi strettamente a quanto previsto dai regolamenti delle autorità locali competenti.
 - L'aria aspirata non deve essere convogliata in un condotto usato per lo scarico dei fumi prodotti da apparecchi a combustione di gas o di altri combustibili.
- ▲ **AVVERTENZA!** La mancata installazione di viti e dispositivi di fissaggio in conformità di queste istruzioni può comportare rischi di natura elettrica.
- Non utilizzare o lasciare la cappa priva di lampade correttamente montate per possibile rischio di scossa elettrica.
 - Mai utilizzare la cappa senza griglia correttamente montata!

- La cappa non va MAI utilizzata come piano di appoggio a meno che non sia espressamente indicato.
- Utilizzare solo le viti di fissaggio in dotazione con il prodotto per l'installazione o, se non in dotazione, acquistare il tipo di viti corretto.
- Utilizzare la lunghezza corretta per le viti che sono identificati nella Guida all'installazione.
- In caso di dubbio, consultare il centro di assistenza autorizzato o personale qualificato similare.

▲ ATTENZIONE! Non utilizzare con un programmatore, timer, telecomando separato o qualsiasi altro dispositivo che si attiva automaticamente.

Tenere i bambini di età inferiore a 3 anni lontani dall'apparecchio. Senza la sorveglianza costante di un adulto, tenere l'apparecchio fuori dalla portata dei bambini di età inferiore a 8 anni.

▲ ATTENZIONE: l'apparecchio non è destinato ad essere messo in funzione mediante un dispositivo esterno o un sistema di comando a distanza separato.

▲ Questo apparecchio non è destinato all'uso professionale. Non utilizzare l'apparecchio all'aperto.

▲ Per evitare il rischio di lesioni personali, l'apparecchio deve essere movimentato e installato da due o più persone.

▲ L'installazione, comprendente anche eventuali raccordi per l'alimentazione idrica (se previsti) e i collegamenti elettrici, e gli interventi di riparazione devono essere eseguiti da personale qualificato.

A installazione completata, conservare il materiale di imballaggio (parti in plastica, polistirolo, ecc.) fuori dalla portata dei bambini per evitare il rischio di soffocamento.

Non utilizzare l'apparecchio quando si è bagnati oppure a piedi nudi.

Mai utilizzare apparecchi per pulizia a vapore – rischio di shock elettrico.



Il materiale dell'imballo è riciclabile al 100% ed è contrassegnato con il simbolo del riciclo

La cappa può avere estetiche differenti rispetto a quanto illustrato nei disegni di questo libretto, comunque le istruzioni per l'uso, la manutenzione e l'installazione rimangono le stesse.

Attenersi strettamente alle istruzioni riportate in questo manuale. Si declina ogni responsabilità per eventuali inconvenienti, danni o incendi provocati all'apparecchio derivati dall'inosservanza delle istruzioni riportate in questo manuale. La cappa è concepita per l'aspirazione dei fumi e vapori della cottura ed è destinata al solo uso domestico.

- E' importante conservare tutti i manuali che accompagnano il prodotto per poterli consultare in ogni momento. In caso di vendita, di cessione o di trasloco, assicurarsi che restino insieme al prodotto.
- Leggere attentamente le istruzioni: ci sono importanti informazioni sull'installazione, sull'uso e sulla sicurezza.
- Non effettuare variazioni elettriche o meccaniche sul prodotto o sulle condotte di scarico.
- Verificare l'integrità della cappa prima di procedere con l'installazione. In caso contrario contattare il rivenditore e non proseguire con l'installazione.

• La distanza minima fra la superficie di supporto dei recipienti sul dispositivo di cottura e la parte più bassa della cappa da cucina deve essere non inferiore a 45 cm in caso di cucine elettriche e di 65 cm in caso di cucine a gas o miste.

Se le istruzioni di installazione del dispositivo di cottura a gas specificano una distanza maggiore, bisogna tenerne conto.

COLLEGAMENTO ELETTRICO

La tensione di rete deve corrispondere alla tensione riportata sull'etichetta caratteristiche situata all'interno della cappa. Se provvista di spina allacciare la cappa ad una presa conforme alle norme vigenti posta in zona accessibile anche dopo

l'installazione. Se sprovvista di spina (collegamento diretto alla rete) o la spina non è posta in zona accessibile, anche dopo installazione, applicare un interruttore bipolare a norma che assicuri la disconnessione completa della rete nelle condizioni della categoria di sovratensione III, conformemente alle regole di installazione.


▲ ATTENZIONE! Prima di ricollegare il circuito della cappa all'alimentazione di rete e di verificarne il corretto funzionamento, controllare sempre che il cavo di rete sia stato montato correttamente.

Se il cavo non è provvisto di spina, collegare i fili attenendosi alla tabella seguente:

Tensione e frequenza della rete

Fare riferimento al valore indicato nella etichetta caratteristiche all'interno della cappa.

Collegamento fili

 : giallo/verde
N : blu
L : marrone

Sostituzione del cavo di alimentazione

La cappa è provvista di un cavo alimentazione speciale; in caso di danneggiamento del cavo, richiederlo al servizio assistenza tecnica.

SCARICO DELL'ARIA

(per le versioni aspiranti)

Collegare la cappa a tubi e fori di scarico a parete con diametro equivalente all'uscita d'aria (flangia di raccordo).

L'utilizzo di tubi e fori di scarico a parete con diametro inferiore determinerà una diminuzione delle prestazioni di aspirazione ed un drastico aumento della rumorosità.

Si declina perciò ogni responsabilità in merito.

! Usare un condotto lungo il minimo indispensabile.

! Usare un condotto con minor numero di curve possibile (angolo massimo della curva: 90°).

! Evitare cambiamenti drastici di sezione del condotto.

! L'azienda declina ogni responsabilità qualora queste norme non vengano rispettate.

FILTRANTE O ASPIRANTE?

! La vostra cappa è pronta per essere utilizzata in versione aspirante.

Per utilizzare la cappa in versione filtrante va installato l'apposito KIT ACCESSORIO.

Verificate nelle prime pagine di questo manuale se il KIT ACCESSORIO è già fornito a corredo o va acquistato a parte.

Nota: Se fornito a corredo, in alcuni casi, il sistema di filtraggio aggiuntivo a base di carboni attivi potrebbe essere già installato sulla cappa.

Le informazioni per la trasformazione della cappa da versione aspirante a versione filtrante sono già contenute in questo manuale.

Versione aspirante

I vapori vengono evacuati verso l'esterno tramite un tubo di scarico fissato alla flangia di raccordo.

▲ ATTENZIONE!

Il tubo di evacuazione non è fornito e va acquistato.

Il diametro del tubo di scarico deve essere equivalente al diametro dell'anello di connessione.

▲ ATTENZIONE!

Se la cappa è provvista di filtro/i a carbone, questo/i deve/devono essere rimosso/i.

Versione filtrante

L'aria aspirata verrà sgrassata e deodorata prima di essere riconvogliata nella stanza. Per utilizzare la cappa in questa versione è necessario installare un sistema di filtraggio aggiuntivo a base di carboni attivi.

COMANDI

La cappa è fornita di un pannello comandi con un controllo delle velocità di aspirazione ed un controllo di accensione della luce per l'illuminazione del piano di cottura.



Prima velocità (T1)

Premere **T1** per attivare la prima velocità. Quando la funzione è attivata, il LED si accende con luce fissa. Premere di nuovo **T1** per spegnere la cappa.

Seconda velocità (T2)

Premere **T2** per attivare la seconda velocità. Quando la funzione è attivata, il LED si accende con luce fissa. Premere di nuovo **T2** per spegnere la cappa.

Terza velocità e BOOSTER (T3)

Quando la cappa è disattivata o la prima o la seconda velocità sono attive, la terza velocità può essere attivata premendo il pulsante **T3** e il LED si accende, con luce fissa.

Un'altra pressione su **T3**, accenderà il booster. Il booster può essere attivato solo dopo che la terza velocità è già attiva. Quando il booster è acceso, il LED **T3** inizierà a pulsare. Mentre il booster è in funzione, è possibile passare alla prima o alla seconda velocità premendo il pulsante di velocità desiderato **T1** o **T2**, il booster si spegnerà e la velocità selezionata verrà attivata.

Quando il booster è acceso, premere di nuovo **T3** per spegnere la cappa.

Dopo 5' il booster si spegne automaticamente e la terza velocità si attiva automaticamente.

Timer (T4)

Il timer può essere attivato quando è attiva la prima o la seconda o la terza velocità. Quando la funzione è attivata, sia il LED del Timer (**T4**) che quello della velocità precedentemente selezionata (**T1/T2/T3**) si accendono con luce fissa.

Il timer dura in base alla velocità selezionata:

Prima velocità **T1** = durata 20'

Seconda velocità **T2** = durata 15'.

Terza velocità: **T3** durata 10'.

Il timer non può essere attivato quando il booster è attivo. Allo scadere del tempo, la cappa si spegne. Quando una velocità è temporizzata, si può passare ad altre velocità premendo il pulsante di velocità desiderato, questa operazione spegnerà il timer.

Quando una velocità è temporizzata, si può disattivare il timer premendo **T4**, oppure una delle altre due velocità non attive. Per spegnere la cappa, premere di nuovo la velocità alla quale si era precedentemente applicata la temporizzazione.

Luce (T5)

La luce può essere attivata in qualsiasi momento premendo il tasto T5. Quando la funzione è attivata, il LED si accende con luce fissa.

Impostazione filtro

L'attivazione o la disattivazione degli indicatori del filtro può essere eseguita solo a cappa spenta.

Per accedere al menu di configurazione, premere a lungo **T2+T3**, una volta nel menu **T1** inizierà a pulsare.

L'impostazione predefinita è:

- **filtro antigrasso** indicatore (**T2**) acceso, quindi attivo;
- **filtro antiodore** indicatore (**T3**) spento, quindi non attivato.

T2 attiva/disattiva l'indicatore del filtro per grasso. **T3** attiva/disattiva l'indicatore del filtro degli odori. Per uscire dal menu, premere a lungo **T1** oppure attendere **10''**

Ripristino filtro

La cappa segnala a intervalli regolari che i filtri devono essere sottoposti a manutenzione:

- filtro antigrasso ogni **40 ore**;
- filtro antiiodori ogni **160 ore**.

In questo caso, a cappa spenta, quando l'utente toccherà un pulsante qualsiasi, l'interfaccia segnalerà per **10''** due tipi di necessità:

- se **T1+T2** pulsano: **manutenzione filtro antigrasso**;
- se **T1+T3** pulsano: **manutenzione filtro antiiodori**.

Durante i **10''** è possibile ripristinare il filtro antigrasso premendo **T1+T2** e ripristinare il filtro antiiodori premendo **T1+T3**. Al termine del ripristino, le combinazioni di pulsanti lampeggeranno rapidamente due volte. L'interfaccia ora funzionerà come al solito.

Attenzione:

Durante i **10''**, la cappa funzionerà normalmente ma, non ci saranno feedback visivi sui pulsanti di velocità. Se durante i **10''** non viene eseguita alcuna operazione, i LED smetteranno di pulsare e i feedback visivi tornano alla normalità.

MANUTENZIONE

Pulizia

Per la pulizia usare **ESCLUSIVAMENTE** un panno inumidito con detersivi liquidi neutri. **NON UTILIZZARE UTENSILI O STRUMENTI PER LA PULIZIA** ! Evitare l'uso di prodotti contenenti abrasivi. **NON UTILIZZARE ALCOOL** !

Pannello di aspirazione perimetrale

Pulire il pannello di aspirazione perimetrale con la stessa frequenza del filtro antigrasso, usare un panno ed un detergente liquido non troppo concentrato. Non utilizzare mai sostanze abrasive.

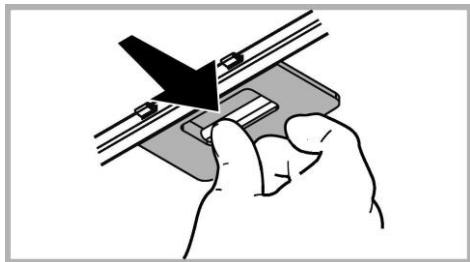
Manutenzione dei filtri antigrasso

Trattiene le particelle di grasso derivanti dalla cottura.

Il **filtro antigrasso metallico** deve essere pulito una volta al mese con detersivi non aggressivi, manualmente oppure in lavastoviglie a basse temperature ed a ciclo breve.

Con il lavaggio in lavastoviglie il filtro antigrasso metallico può scolorirsi ma le sue caratteristiche di filtraggio non cambiano assolutamente.

Per smontare il filtro grassi tirare la maniglia di sgancio a molla.



Manutenzione del filtro al carbone

Trattiene gli odori sgradevoli derivanti dalla cottura.

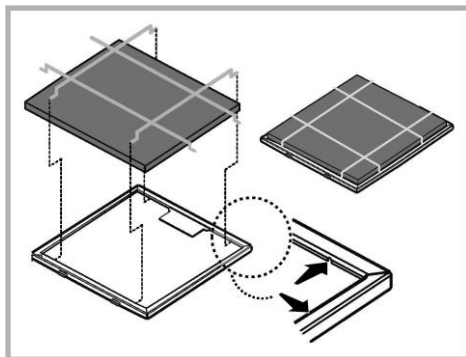
Filtro a materassino (in dotazione con il prodotto)

Il filtro al carbone può essere lavato ogni due mesi (o quando il sistema di indicazione di saturazione dei filtri - se previsto sul modello in possesso - indica questa necessità) in acqua calda e detersivi idonei o in lavastoviglie a 65°C (in caso di lavaggio in lavastoviglie eseguire il ciclo di lavaggio completo senza stoviglie all'interno).

Togliere l'acqua in eccesso senza rovinare il filtro, dopodiché riporlo nel forno per 10 minuti a 100°C per asciugarlo definitivamente.

Sostituire il materassino ogni 3 anni e ogni volta che il pannello risulta danneggiato.

Il filtro a materassino può essere sostituito con il Filtro carbone circolare.

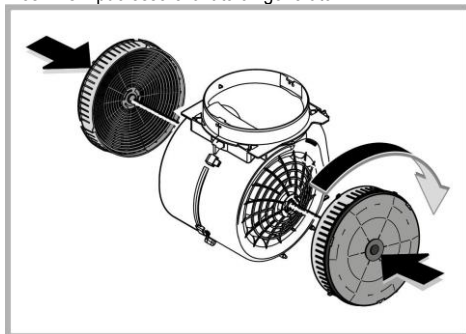


Filtro al carbone circolare

Applicarne uno per lato a copertura di entrambe le griglie di protezione della girante del motore, dopodiché girare in senso orario.

Per lo smontaggio girare in senso antiorario.

La saturazione del **filtro carbone** si verifica dopo un uso più o meno prolungato a seconda del tipo di cucina e della regolarità della pulizia del filtro grassi. In ogni caso è necessario sostituire la cartuccia al massimo ogni quattro mesi. **NON** può essere lavato o rigenerato.



Sostituzione delle lampade

La cappa è dotata di un sistema di illuminazione basato sulla tecnologia LED.


I LED garantiscono una illuminazione ottimale, una durata fino a 10 volte maggiore delle lampade tradizionali e consentono di risparmiare il 90% di energia elettrica.

Il sistema di illuminazione non è sostituibile dall'utente, in caso di malfunzionamenti contattare il servizio assistenza.

SMALTIMENTO

Questo apparecchio è contrassegnato in conformità alla Direttiva Europea 2012/19/EC - UK SI 2013 No.3113, Waste Electrical and Electronic Equipment (WEEE). Assicurandosi che questo prodotto sia smaltito in modo corretto, l'utente contribuisce a prevenire le potenziali conseguenze negative per l'ambiente e la salute.



Il simbolo  sul prodotto o sulla documentazione di accompagnamento indica che questo prodotto non deve essere trattato come rifiuto domestico ma deve essere consegnato presso l'idoneo punto di raccolta per il riciclaggio di apparecchiature elettriche ed elettroniche. Disfarsene seguendo le normative locali per lo smaltimento dei rifiuti. Per ulteriori informazioni sul trattamento, recupero e riciclaggio di questo prodotto, contattare l'idoneo ufficio locale, il servizio di raccolta dei rifiuti domestici o il negozio presso il quale il prodotto è stato acquistato.

Apparecchiatura progettata, testata e realizzata nel rispetto delle norme sulla:

- Sicurezza: EN/IEC 60335-1; EN/IEC 60335-2-31, EN/IEC 62233.
- Prestazione: EN/IEC 61591; ISO 5167-1; ISO 5167-3; ISO 5168; EN/IEC 60704-1; EN/IEC 60704-2-13; EN/IEC 60704-3; ISO 3741; EN 50564; IEC 62301.
- EMC: EN 55014-1; CISPR 14-1; EN 55014-2; CISPR 14-2; EN/IEC 61000-3-2; EN/IEC 61000-3-3.

Suggerimenti per un corretto utilizzo al fine di ridurre l'impatto ambientale: Quando iniziate a cucinare, accendere la cappa alla velocità minima, lasciandola accesa per alcuni minuti anche dopo il termine della cottura. Aumentare la velocità solo in caso di grandi quantità di fumo e vapore, utilizzando la funzione booster solo in casi estremi. Per mantenere ben efficiente il sistema di riduzione degli odori, sostituire, quando è necessario, il/i filtro/i carbone. Per mantenere ben efficiente il filtro del grasso, pulirlo in caso di necessità. Per ottimizzare l'efficienza e minimizzare i rumori, utilizzare il diametro massimo del sistema di canalizzazione indicato in questo manuale.



ANOMALIE DI FUNZIONAMENTO

Se qualcosa non sembra funzionare, prima di chiamare il Servizio Assistenza effettuare i seguenti semplici controlli:

- Se la cappa non funziona:
Verificare che:
 - non c'è interruzione di corrente.
 - è stata selezionata una velocità.
- Se la cappa ha un rendimento scarso:
Verificare che:
 - La velocità motore selezionata è sufficiente per la quantità di fumo e di vapori liberata.
 - La cucina è sufficientemente areata per permettere una presa d'aria.
 - Il filtro carbone non è consumato (cappa in versione filtrante).
- Se la cappa si è spenta nel corso del normale funzionamento:
Verificare che:
 - non c'è interruzione di corrente.
 - il dispositivo di interruzione omnipolare non è scattato.

In caso di eventuali anomalie di funzionamento, prima di rivolgerVi al servizio assistenza scollegate per almeno 5 sec. l'apparecchio dall'alimentazione elettrica estraendo la spina e collegatelo poi nuovamente. Nel caso in cui l'anomalia di funzionamento dovesse perdurare, rivolgersi al servizio d'assistenza.

DATI TECNICI

Altezza (cm)	Larghezza (cm)	Profondità (cm)	Ø del tubodi scarico (cm)
 71-104,5	59,8 - 79,8	32,6	15
 79,5-104,5			

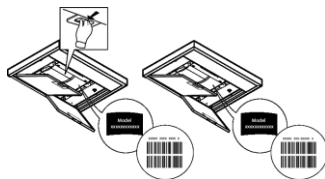


Componenti non in dotazione con il prodotto



Per scaricare le istruzioni di sicurezza, il manuale d'uso, la scheda tecnica e i dati energetici:

- Visitare il sito web docs.whirlpool.eu
- Usare il codice QR
- Oppure, **contattare il Servizio Assistenza** (al numero di telefono riportato sul libretto di garanzia). Quando si contatta il Servizio Assistenza, fornire i codici presenti sulla targhetta matricola del prodotto.



SEGURANÇA GERAL

- Antes de fazer qualquer operação de limpeza ou de manutenção, deve-se desligar o exaustor da rede elétrica retirando a tomada ou desligando a alimentação da rede elétrica.
 - Usar sempre luvas de trabalho para todas as operações de instalação e manutenção.
 - Este aparelho pode ser usado por crianças a partir de 8 anos de idade e por pessoas com reduzidas capacidades físicas, sensoriais e mentais, ou falta de experiência e conhecimento, desde que sejam supervisionadas ou se tiverem recebido as necessárias instruções relativas ao uso em segurança do aparelho e que tenham conhecimento dos riscos envolvidos.
 - As crianças não devem ser autorizadas a manipular os comandos ou a brincar com o aparelho.
 - A limpeza e a manutenção não devem ser feitas por crianças sem supervisão.
 - O local onde o aparelho será instalado, deve ser suficientemente ventilado, quando o exaustor for utilizado em conjunto com outros dispositivos de combustão de gás ou outros combustíveis.
 - O exaustor deve ser limpo regularmente, interna e externamente (PELO MENOS UMA VEZ POR MÊS), respeitando expressamente as indicações no manual, nas instruções de manutenção.
 - A inobservância das normas de limpeza do aparelho e da substituição e limpeza dos filtros comporta riscos de incêndio.
 - É severamente proibido colocar alimentos diretamente na chama, sob o exaustor.
 - Para a substituição da lâmpada, utilizar apenas o tipo de lâmpada indicado na secção de Manutenção/Substituição de lâmpadas deste manual.
- O uso de chama livre causa danos aos filtros e pode originar incêndios, portanto, deve ser evitado em quaisquer circunstâncias.
- Os alimentos fritos devem ser feitos sob controle, para evitar que o óleo sobreaqueça e se incendeie.
- CUIDADO:** Peças acessíveis do exaustor podem queimar quando utilizado com a placa de fogão.
- Não ligar o aparelho à rede elétrica até que a instalação esteja totalmente concluída.
 - Relativamente às medidas técnicas e de segurança a serem adotadas para a descarga de fumos, é importante respeitar rigorosamente os regulamentos fornecidos pelas autoridades locais.
 - O sistema de condutas deste aparelho não pode ser conectado a outro sistema de ventilação já existente que esteja a ser usado para qualquer outra finalidade, como descarga de fumos de aparelhos a gás ou outros combustíveis.
- ▲ ATENÇÃO!** A falta de instalação de parafusos ou dispositivos de fixação em conformidade com estas instruções, pode resultar em riscos elétricos
- Não utilizar ou deixar o exaustor sem lâmpadas corretamente montadas, devido ao

possível risco de choques elétricos.

- Nunca utilizar o exaustor sem as grades montadas corretamente.
- O exaustor NUNCA deve ser utilizado como uma superfície de apoio, a menos que seja especificamente indicado.
- Usar somente os parafusos de fixação fornecidos com o aparelho, para a instalação, ou, se não for fornecido, comprar o tipo de parafuso correto.
- Usar o comprimento correto para os parafusos que são identificados no Guia de Instalação.
- Em caso de dúvida, consultar um centro de assistência autorizado ou técnico qualificado.

▲ ATENÇÃO! Não utilizar com um programador, temporizador, telecomando separado ou qualquer outro dispositivo que se ativa automaticamente.

Manter as crianças menores de 3 anos afastadas do aparelho. Quando não vigiadas por um adulto, as crianças menores de 8 anos devem ser mantidas afastadas do aparelho.

▲ ATENÇÃO: o aparelho não deve ser operado mediante um dispositivo externo ou através dum sistema de comando à distância separado.

▲ Este aparelho não se destina ao uso profissional. Não utilizar o aparelho ao ar livre.

▲ Para evitar o risco de ferimentos pessoais, o aparelho deve ser movido e instalado por duas ou mais pessoas.

▲ A instalação - incluindo também quaisquer conexões para fornecimento de água (caso previsto) e as ligações elétricas - e as operações de reparação devem ser realizadas por pessoal qualificado.

Uma vez concluída a instalação, o material de embalagem (peças de plástico, poliestireno, etc.) deve ser mantido fora do alcance das crianças para evitar o risco de asfixia. .

Não utilizar o aparelho quando estiver molhado ou descalço.

Nunca utilizar um aparelho de limpeza a vapor para limpar o aparelho - risco de choque elétrico.



O material de embalagem é 100% reciclável e está marcado com o símbolo da reciclagem

O exaustor pode ser esteticamente diferente do modelo ilustrado neste manual, no entanto as instruções de uso, manutenção e instalação são as mesmas.

Siga especificamente as instruções indicadas neste manual. Declina-se qualquer responsabilidade por eventuais inconvenientes, danos ou incêndios provocados ao aparelho, derivantes da inobservância das instruções indicadas neste manual. O exaustor foi concebido para a aspiração de fumos e vapores de cozedura e é destinado exclusivamente para uso doméstico.

- É importante conservar este manual para eventuais consultas futuras.
Em caso de venda ou mudança, certifique-se que o manual acompanha o produto.
- Leia cuidadosamente as instruções: apresentam importantes informações sobre a instalação, uso e segurança.
- Não efectue variações elétricas ou mecânicas no produto ou nos tubos de fuga.
- Antes de prosseguir com a instalação do aparelho, verifique se todos os componentes não estão danificados. Caso contrário, contacte o seu fornecedor e não prossiga com a instalação.

• A distância mínima entre a superfície de suporte dos recipientes sobre o fogão e a parte mais baixa do exaustor não deve ser inferior a 45cm no caso de fogões elétricos e 65 cm no caso de fogões a gás ou combinados.

Se as instruções de instalação do fogão a gás especificarem uma distância maior, deve-se levar em conta esta indicação.

CONEXÃO ELÉTRICA

A voltagem da rede elétrica deve corresponder com a voltagem indicada na etiqueta das características, situada no interior do exaustor. Se dotado de ficha, conectar o exaustor a uma tomada, em conformidade com as normas vigentes, posta em zona acessível, mesmo depois da instalação. Se não tiver ficha (conexão direta à rede) ou a tomada não se encontrar numa zona acessível, mesmo depois da instalação, aplicar um interruptor bipolar, em conformidade com a norma que assegure a desconexão completa da rede nas condições da categoria de sobretensão III, de acordo com as regras de instalação.


▲ ATENÇÃO! Antes de conectar novamente o circuito do exaustor com a alimentação elétrica, verificar o seu funcionamento, e verificar se o cabo de rede está montado corretamente.

Se o cabo não estiver equipado com uma ficha, ligue os cabos de acordo com a tabela seguinte:

Tensão da rede elétrica e frequência

Consultar o valor indicado na etiqueta de características no interior do exaustor.

Ligação de cabo

 : amarelo/verde
N : azul
L : castanho

Substituição do cabo de alimentação

O exaustor está equipado com um cabo de alimentação especial; no caso do cabo ficar danificado, efetuar um pedido ao serviço de assistência técnica.

SAÍDA DO AR

(para as versões aspirantes)

Conectar o exaustor aos tubos e orifícios de descarga da parede com diâmetro equivalente à saída de ar (falange de união).

O uso de tubos ou orifícios de descarga de parede com diâmetro inferior, pode provocar a diminuição do desempenho de aspiração e um drástico aumento do ruído.

Não nos responsabilizamos a este respeito.

- ! Utilizar um tubo condutor com comprimento não inferior ao indicado.
- ! Utilizar um tubo condutor com o menor número possível de curvas (ângulo máximo da curva: 90°C).
- ! Evitar alterações drásticas da seção do tubo (diâmetro).
- ! Caso estas normas não sejam respeitadas a empresa declina qualquer responsabilidade.

FILTRANTE OU ASPIRANTE ?

! O seu exaustor está pronto para ser utilizado na versão aspirante.

Para utilizar o exaustor na versão filtrante deve ser instalado um KIT ACESSÓRIO apropriado.

Verifique nas primeiras páginas deste manual se o KIT ACESSÓRIO já vem fornecido ou se deve ser comprado separadamente.

Nota: Se for fornecido com o equipamento, em alguns casos, o sistema de filtragem adjunta à base de carvão activo pode já estar instalado no exaustor.

As informações para a transformação do exaustor da versão aspirante à versão filtrante já estão contidas neste manual.

Versão aspirante

Os vapores são evacuados para o exterior, por meio de um tubo de descarga fixado à falange de conexão que se encontra sobre o exaustor.

ATENÇÃO!

O diâmetro do tubo de descarga deve ser equivalente ao diâmetro do anel de conexão.

ATENÇÃO!

Se o exaustor for dotado de filtros de carvão ativo, estes deverão ser retirados.

Versão filtrante

O ar aspirado será desengordurado e desodorizado antes de ser recanalizado de volta para o ambiente.

Para usar o exaustor nesta versão é necessário instalar um sistema de filtragem adicional à base de carvão ativado.

COMANDOS

O exaustor vem equipado com um painel de comandos com um controlo de velocidade de aspiração e um controlo para acender a luz de iluminação do plano de cozedura.



Primeira velocidade (T1)

Pressione **T1** para ativar a primeira velocidade. Quando a função é ativada, o LED acende-se com luz fixa. Pressione de novo **T1** para desligar o exaustor.

Segunda velocidade (T2)

Pressione **T2** para ativar a segunda velocidade. Quando a função é ativada, o LED acende-se com luz fixa. Pressione de novo **T2** para desligar o exaustor.

Terceira velocidade e BOOSTER (FORÇADA) (T3)

Quando o exaustor é desativado ou quando a primeira ou a segunda velocidade estão ativas, a terceira velocidade pode ser ativada pressionando o botão **T3** e o LED acende-se com luz fixa.

Pressionando uma outra vez em **T3**, ligará o booster. O booster só pode ser ativado depois da terceira velocidade já estar ativa.

Quando o booster é ligado, o LED **T3** começa a piscar. Com o booster a funcionar, é possível passar para a primeira ou para a segunda velocidade pressionando o botão da velocidade desejada **T1** ou **T2**, o booster desligar-se-á e a velocidade selecionada será ativada.

Quando o booster está ligado, pressione de novo **T3** para desligar o exaustor.

O booster desliga-se automaticamente 5' depois e a terceira velocidade ativa-se automaticamente.

Temporizador (T4)

O temporizador pode ser ativado quando uma velocidade estiver ativa, a primeira, a segunda ou a terceira. Quando a função é ativada, quer o LED do Temporizador (**T4**) quer o LED da velocidade previamente selecionada (**T1/T2/T3**) acendem-se com a luz fixa.

O temporizador dura em função da velocidade selecionada:

Primeira velocidade **T1** = duração 20'

Segunda velocidade **T2** = duração 15'.

Terceira velocidade: **T3** = duração 10'.

O temporizador não pode ser ativado quando o booster estiver ativo. No final do tempo, o exaustor desliga-se. Quando uma velocidade é temporizada, é possível mudar para outras velocidades pressionando o botão da velocidade desejada, esta operação desligará o temporizador.

Quando uma velocidade é temporizada, é possível desativar o temporizador pressionando **T4**, ou uma das outras duas velocidades não ativas. Para desligar o exaustor, pressione de novo a velocidade na qual tinha anteriormente aplicada a temporização.

Luz (T5)

A luz pode ser ativada a qualquer momento pressionando a tecla T5. Quando a função é ativada, o LED acende-se com luz fixa.

Configuração de filtro

A ativação ou desativação dos indicadores do filtro só pode ser executada com o exaustor desligado.

Para aceder ao menu de configuração, pressione bastante **T2+T3**, até entrar no menu, **T1** começará a piscar.

A configuração predefinida é:

- **filtro de gorduras** indicador (**T2**) aceso, portanto ativo;
- **filtro de odores** indicador (**T3**) apagado, portanto não ativo.

T2 ativa / desativa o indicador do filtro de gorduras. **T3** ativa / desativa o indicador do filtro de odores. Para sair do menu, pressione bastante **T1** ou espere **10"**

Renovação do filtro

O exaustor assinala a intervalos regulares que os filtros devem ser sujeitos a manutenção:

- filtro de gorduras a cada **40 horas**;
- filtro de odores a cada **160 horas**.

Neste caso, com o exaustor desligado, quando o utilizador tocar num qualquer botão, a interface sinalizará durante **10"** dois tipos de necessidades:

- se **T1+T2** piscarem: **Manutenção do filtro de gorduras**;
- se **T1+T3** piscarem: **manutenção do filtro de odores**.

Durante os **10"** pode renovar o filtro de gorduras pressionando **T1+T2** e renovar o filtro de odores pressionando **T1+T3** No final da renovação, as combinações de botões picarão rapidamente duas vezes. Agora a interface funcionará como de costume.

Atenção:

Durante os **10"**, o exaustor funcionará normalmente mas, não haverá feedback visual nos botões de velocidade. Se durante os **10"** não for executada nenhuma operação, os LED deixarão de piscar e os feedback visuais voltam ao normal.

MANUTENÇÃO

Limpeza

Para a limpeza, utilizar um pano humedecido com detergentes líquidos neutros. Evitar o uso de produtos contendo abrasivos. **NÃO UTILIZE ÁLCOOL !**

Painel perimetral de aspiração

Limpar o painel perimetral de aspiração com a mesma frequência do filtro anti-gordura, usar um pano e um detergente líquido não muito concentrado. Nunca utilizar substâncias abrasivas.

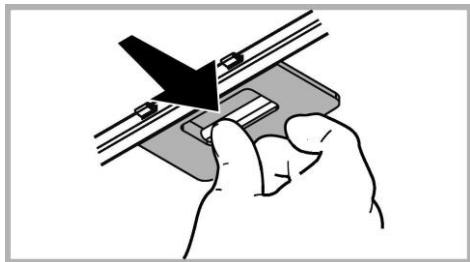
Manutenção dos filtros anti-gordura

Capta as partículas de gordura provenientes da cozedura.

O Filtro de gordura deve ser limpo uma vez por mês com detergentes não agressivos. O filtro pode ser lavado manualmente ou na máquina de lavar louça a baixas temperaturas e com um ciclo breve.

O filtro metálico para a gordura pode perder cor com as lavagens na máquina da louça, mas as suas características de filtração não se alteram.

Para desmontar o filtro antigordura puxe o puxador de libertação com mola.



Manutenção do filtro a carvão

Retém os odores desagradáveis produzidos durante a preparação de alimentos.

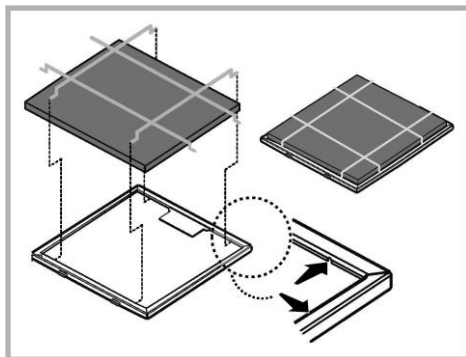
Filtro almofadado (em dotação com o produto).

O filtro de carvão pode ser lavado de dois em dois meses (ou quando o sistema de indicação da saturação dos filtros - se previsto no modelo adquirido - indicar esta necessidade) em água quente e detergentes adequados ou em máquina de lavar louça a 65 °C (para a lavagem em máquina, utilize o ciclo completo sem colocar outra louça na máquina).

Tire a água em excesso tomando cuidado para não estragar o filtro. Em seguida deixe-o secar definitivamente no forno durante 10 minutos a 100 °C.

Substitua o pano a cada 3 anos e sempre que notar sinais de danos no tecido.

O filtro almofadado pode ser substituído com o Filtro de carvão circular.



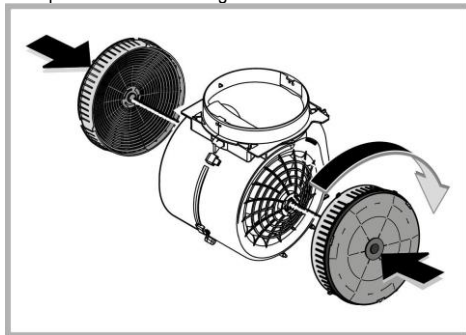
Filtro a carvão circular

Aplique um em cada lado para cobrir ambas as grelhas de protecção do impulsor do motor, depois disso vire a pega no sentido dos ponteiros dos relógios.

Para a desmontagem vire no sentido contrário aos ponteiros dos relógios.

A saturação do filtro de **carvão ativado** verifica-se após um uso mais ou menos prolongado, em função do tipo de cozedura e da regularidade da limpeza do filtro de gorduras. Em todo caso, é necessário substituir o cartucho no máximo a cada 4 meses.

NÃO pode ser lavado ou regenerado.



Substituição das lâmpadas

O exaustor é fornecido com um sistema de iluminação baseado na tecnologia LED.

Os LED garantem uma iluminação melhor e uma duração de até 10 vezes maior que as lâmpadas tradicionais e economizam 90% de energia elétrica.


O sistema de iluminação não pode ser substituído pelo utilizador, em caso de mau funcionamento, entre em contacto com o serviço de assistência.

ELIMINAÇÃO

Este aparelho está classificado de acordo com a Diretiva Europeia 2012/19/EC - UK SI 2013 No.3113 sobre Resíduos de equipamento elétrico e eletrónico (REEE).

Ao garantir a eliminação adequada deste produto, estará a ajudar a evitar potenciais consequências negativas para o ambiente e para a saúde pública, que poderiam derivar de um manuseamento de dispersão inadequada deste produto.



O símbolo  no produto ou nos documentos que acompanham o produto, indica que este aparelho não pode receber um tratamento semelhante ao de uma dispersão doméstica.

Pelo contrário, deverá ser depositado no respectivo centro de recolha para a reciclagem de equipamento elétrico e eletrónico.

A eliminação deverá ser efetuada em conformidade com as normas ambientais locais para a eliminação de desperdícios.

Para obter informações mais detalhadas sobre o tratamento, a recuperação e a reciclagem deste produto, contate o Departamento na sua localidade, o seu serviço de eliminação de desperdícios domésticos ou a loja onde adquiriu o produto.

Aparelho projetado, testado e fabricado de acordo com:

- Segurança: EN/IEC 60335-1; EN/IEC 60335-2-31, EN/IEC 62233.
- Desempenho: EN/IEC 61591; ISO 5167-1; ISO 5167-3; ISO 5168; EN/IEC 60704-1; EN/IEC 60704-2-13; EN/IEC 60704-3; ISO 3741; EN 50564; IEC 62301.

- EMC: EN 55014-1; CISPR 14-1; EN 55014-2; CISPR 14-2; EN/IEC 61000-3-2; EN/IEC 61000-3-3.

Sugestões para uma utilização correta, de modo a reduzir o impacto ambiental: LIGUE o exaustor na velocidade mínima quando começar a cozinhar e mantenha-o em função por mais alguns minutos após ter terminado. Aumente a velocidade somente em caso de muito fumo ou vapor e use as velocidades altas somente em situações extremas. Substitua o(s) filtro(s) a carvão quando necessário, para manter uma boa eficiência na redução dos odores. Limpe o(s) filtro(s) de gordura quando necessário para manter uma boa eficiência. Use o diâmetro máximo do sistema de condutas indicado neste manual para otimizar a eficiência e minimizar o ruído.

ANOMALIAS DE FUNCIONAMENTO

Se algo parece não funcionar, antes de contactar o Serviço de Assistência efectuar seguintes controlos simples:

- Se o exaustor não funcionar:

Verificar que:

- não há interrupção de corrente.
- foi seleccionada uma velocidade.

- Se o exaustor tiver uma performance fraca:

Verificar que:

- A velocidade do motor seleccionada é suficiente para a quantidade de fumo e vapores libertada.
- O fogão é suficientemente arejado para permitir uma tomada de ar.
- O filtro de carvão não está gasto (exaustor em versão filtrante).



- Se o exaustor desligar durante o funcionamento normal:

Verificar que:

- não há interrupção de corrente.
- o dispositivo de corte omnipolar não disparou.

Se o exaustor não funcionar correctamente, retirar a ficha para desligá-lo por um breve período da rede eléctrica principal (pelo menos 5 seg.). Em seguida colocar novamente a ficha e experimentar mais uma vez antes de contactar o Serviço de assistência técnica. Se o problema de funcionamento persistir, contacte o serviço de assistência.

DADOS TÉCNICOS

Altura (cm)	Largura (cm)	Profundidade (cm)	Ø do tubo de escape (cm)
 71-104,5	59,8 - 79,8	32,6	15
 79,5-104,5			

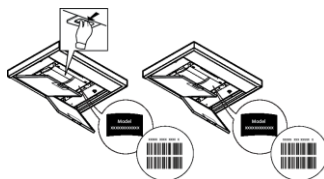


Componentes não fornecidas com o produto.



Pode transferir as **Instruções de Segurança, o Manual do Utilizador, a Ficha do Produto e os Dados Energéticos:**

- Visitando o nosso website docs.whirlpool.eu
- Utilizando o código QR
- Em alternativa, **contacte o nosso Serviço Pós-venda** (através do número de telefone contido no livrete da garantia). Ao contactar o nosso Serviço Pós-Venda, indique os códigos fornecidos na placa de identificação do seu produto.



ALGEMENE VEILIGHEID

- Zorg voordat u de afzuigkap schoonmaakt of onderhoudt eerst dat hij geen stroom heeft door de stekker uit het stopcontact te halen, de tweepolige schakelaar uit te zetten of de betreffende elektriciteitsgroep geheel uit te schakelen.
 - Draag tijdens installatie en onderhoud altijd werkhandschoenen.
 - Dit apparaat is geschikt voor bediening door kinderen vanaf 8 jaar, personen met lichamelijke, zintuiglijke of verstandelijke beperkingen, onervaren personen en degenen die over onvoldoende kennis beschikken, onder voorwaarde dat ze hierbij eerst worden begeleid en geïnstrueerd over veilig gebruik en bediening van het apparaat, en voldoende inzicht hebben in de bijbehorende gevaren.
 - Laat kinderen niet aan de knoppen zitten of met het apparaat spelen.
 - Schoonmaken en onderhoud door kinderen van voor de gebruiker toegankelijke onderdelen mag alleen onder toezicht van een volwassene.
 - Wanneer de afzuigkap wordt gebruikt voor apparaten die op gas of een andere brandstof werken, moet de ruimte waar de apparaten zijn geïnstalleerd voldoende worden geventileerd.
 - De afzuigkap moet regelmatig van binnen en van buiten worden schoongemaakt (MINSTENS 1 KEER PER MAAND).
 - Hierbij moeten de verstrekte onderhoudsinstructies worden opgevolgd. Als de verstrekte instructies voor het reinigen van de afzuigkap en de filters niet worden opgevolgd, ontstaat de kans op brand.
 - U mag niets flamberen onder de afzuigkap.
 - Vervang de lampen uitsluitend door het type dat staat aangegeven onder "Onderhoud > Lampjes vervangen" van deze gids.
- Blootstellen aan vlammen is slecht voor de filters en kan tot brand leiden. Dit moet dus onder alle omstandigheden worden vermeden. Werk bij bakken en braden dus extra zorgvuldig en zorg dat vet of olie niet oververhit raakt en in brand vliegt.
- LET OP: het is mogelijk dat toegankelijke onderdelen van de afzuigkap heet worden tijdens het afvoeren van kookdampen.
- Sluit het apparaat niet op het lichtnet aan voordat de installatie is voltooid.
 - Bij technische maatregelen en veiligheidsmaatregelen voor installaties die kookdampen afvoeren, is het belangrijk dat de lokale wet- en regelgeving nauwkeurig wordt gevolgd.
 - De afgezogen lucht mag niet worden afgevoerd naar een uitvoer voor dampen van apparaten die op gas of andere brandstoffen werken.
- ▲ WAARSCHUWING!** Wanneer niet de in deze instructies vermelde schroeven worden gebruikt of als het apparaat niet volgens deze instructies wordt bevestigd, kunnen elektrische risico's ontstaan.
- Zorg dat de lamp op de juiste manier is geplaatst omdat anders de kans ontstaat op elektrische schokken, zelfs als de kap niet wordt gebruikt.

- Gebruik de afzuigkap nooit zonder op de juiste manier geplaatste roosters.
- Laat NOOIT andere zaken op de afzuigkap rusten, tenzij specifiek aangegeven.
- Gebruik voor de installatie alleen de meegeleverde schroeven, of koop schroeven van het juiste type.
- Raadpleeg de installatiegids voor de correcte afmetingen van de schroeven.
- Raadpleeg bij twijfel een geautoriseerd service center of iemand met vergelijkbare kwalificaties.

▲ WAARSCHUWING! Sluit het product niet aan op een (programmeerbare) timer, externe afstandsbediening of ander apparaat waardoor het product automatisch wordt ingeschakeld.

Houd kinderen jonger dan 3 jaar uit de buurt van het apparaat. Zonder het voortdurende toezicht van een volwassene moeten kinderen jonger dan 8 jaar uit de buurt van het apparaat gehouden worden.

▲ OPGELET: het apparaat is niet bedoeld om in werking te worden gesteld door middel van een extern apparaat of een afzonderlijk afstandsbedieningssysteem.

▲ Dit apparaat is niet bedoeld voor een professioneel gebruik. Gebruik het apparaat niet in de open lucht.

▲ Om het risico op persoonlijk letsel te voorkomen, moet het apparaat verplaatst en geïnstalleerd worden door twee of meer personen.

▲ De installatie, waaronder ook de eventuele aansluiting op de watervoorziening (indien voorzien) en de elektrische aansluitingen, evenals de reparatie-ingrepen moeten worden uitgevoerd door gekwalificeerd personeel.

Na het voltooien van de installatie moet het verpakkingsmateriaal (plastic, polystyreen, enz.) buiten het bereik van kinderen bewaard worden om verstikkingsgevaar te voorkomen. .

Gebruik het apparaat niet wanneer u nat bent of op blote voeten.

Gebruik voor de reiniging nooit stoomreinigers - gevaar voor elektrische schokken.

Het verpakkingsmateriaal is 100% recycleerbaar en is gemarkeerd met het betreffende symbool



De afzuigkap kan er anders uitzien dan de afbeeldingen in dit boekje. De instructies voor bediening, onderhoud en installatie blijven echter hetzelfde.

Houd u altijd aan de instructies in deze gids. Wij aanvaarden geen enkele aansprakelijkheid voor problemen, schade of brand die voortvloeien uit nalatigheid, zoals het niet opvolgen van de instructies in deze gids. Dit apparaat is bedoeld voor huishoudelijk gebruik en vergelijkbare toepassingen zoals: - personeelskeukens in winkels, kantoren en andere werkomgevingen; - boerderijen; - gebruik door klanten in hotels, motels en andere verblijfsomgevingen zoals bed and breakfast.

- Het is belangrijk om dit boekje goed te bewaren zodat u er altijd dingen in kan opzoeken. Zorg dat het boekje bij verhuizing, verkoop of overdracht met het apparaat meegaat.
- Lees de instructies zorgvuldig; het gaat hier om belangrijke informatie over installatie, bediening, onderhoud en veiligheid.
- Voer nooit zelf elektrische of mechanische veranderingen uit op het product of de afvoerbuizen.
- Controleer alle onderdelen op beschadigingen voordat u verder gaat met de installatie van het apparaat. Neem bij beschadiging contact op met uw leverancier, en begin niet aan de installatie.

• De minimale afstand tussen het kookoppervlak en de onderkant van de afzuigkap is 45cm bij een elektrische kookplaat en 65 cm, in geval van een gas- of gemengd fornuis. Als in de installatie-instructies van een gaskookplaat een grotere afstand wordt genoemd, moet de grotere afstand worden gebruikt.

ELEKTRISCHE AANSLUITING

De aansluiting op het lichtnet moet overeenkomen met de waarde op het plaatje aan de

binnenkant van de afzuigkap. Als de afzuigkap een stekker heeft, moet deze in een stopcontact dat aan de nieuwste regelgeving voldoet en ook na de installatie bereikbaar blijft. Als het product geen stekker heeft (rechtstreekse aansluiting op lichtnet), of als de stekker na de installatie niet meer bereikbaar is, moet gebruik worden gemaakt van een tweepolige aan/uitschakelaar, zodat het product (bijvoorbeeld bij een te hoge stroomsterkte, categorie III) geheel kan worden losgekoppeld van het lichtnet.


▲ WAARSCHUWING! Controleer eerst of het netsnoer correct is gemonteerd voordat de afzuigkap op het lichtnet wordt aangesloten om de juiste werking te controleren.

Als de kabel niet is voorzien van een stekker, sluit u de kabels aan overeenkomstig de volgende tabel:

Spanning en frequentie net

Verwijs naar de waarde aangegeven op het typeplaatje dat is aangebracht in de afzuigkap.

Aansluiting draden

 : geel/groen
N : blauw
L : bruin

Vervanging van de voeding

De afzuigkap wordt geleverd met een speciaal netsnoer. Als dit snoer beschadigd is, moet u een nieuw exemplaar aanvragen bij de technische dienst.

LUCHTAFVOER

(afzuigend apparaat)

Sluit de afzuigkap aan op een buis met dezelfde doorsnede als de luchtafvoer van de kap (aansluitflens). Deze diameter geldt ook voor eventuele doorvoeropeningen voor de afvoerbuis.

Een doorvoeropening en/of buis met een kleinere doorsnede verlaagt de zuigkracht en leidt tot een enorme toename van de geluidsproductie.

Wij aanvaarden in dit verband dan ook geen enkele verantwoordelijkheid.

- Houd de buis zo kort mogelijk.
- Gebruik zo weinig mogelijk elleboogkoppelingen (maximale hoek hiervan: 90°).
- Vermijd grote variaties in de doorsnede van de afvoerbuis.

! Het bedrijf wijst iedere aansprakelijkheid af indien deze voorschriften niet in acht worden genomen.

FILTEREND OF AFZUIGEND APPARAAT ?

! Uw afzuigkap is ingesteld om als afzuigend apparaat te worden gebruikt.

Om de kap als filterend apparaat te gebruiken dient de betreffende TOEBEHOREN SET gemonteerd te worden.

Controleer op de eerste pagina's van deze handleiding of de TOEBEHOREN SET wordt meegeleverd of gekocht moet worden.

Opmerking: Indien de set meegeleverd wordt, kan, in enkele gevallen, het extra actieve koolstoffilter reeds op de kap gemonteerd zijn.

De inlichtingen om de kap van afzuigend apparaat in filterend apparaat om te zetten zijn in deze handleiding te vinden.

Uitvoering als afzuigend apparaat

Hierbij wordt de afgevoerde lucht uit het pand gevoerd via een speciaal hiervoor geconstrueerde buis die gekoppeld is aan de aansluiting aan de bovenkant van de afzuigkap.

▲ LET OP!

De afvoerbuis wordt niet meegeleverd en moet afzonderlijk worden aangeschaft. De afvoerbuis moet dezelfde doorsnede hebben als de aansluiting.

▲ LET OP!

Als de afzuigkap is geleverd met een actief koolfilter, moet dit worden verwijderd.

Filtrerende versie

De verwijderde lucht wordt ontvet en ontgeurd en vervolgens weer teruggeleid naar de betreffende ruimte.
Om de afzuigkap in deze vorm te gebruiken, moet een extra filtersysteem op basis van geactiveerde kool zijn geïnstalleerd.

BEDIENINGSELEMENTEN

De kap is voorzien van een bedieningspaneel met een schakelaar voor de snelheid van afzuiging en een schakelaar voor de verlichting van het fornuis.



T1



T2



T3



T4



T5

Eerste snelheid (T1)

Druk op **T1** om de eerste snelheid te activeren. Bij actieve functie gaat de LED continu branden. Druk nogmaals op **T1** om de afzuigkap uit te schakelen.

Tweede snelheid (T2)

Druk op **T2** om de tweede snelheid te activeren. Bij actieve functie gaat de LED continu branden. Druk nogmaals op **T2** om de afzuigkap uit te schakelen.

Derde snelheid en BOOSTER (T3)

Wanneer de afzuigkap is uitgeschakeld, of de eerste of de tweede snelheid is actief, kan de derde snelheid geactiveerd worden met de toets **T3**; de LED gaat continu branden.

Nog een druk op **T3** zal de booster activeren. De booster kan alleen geactiveerd worden als de derde snelheid al actief is. Bij ingeschakelde booster begint de LED **T3** te knipperen. Bij functionerende booster is het mogelijk om over te gaan naar de eerste of de tweede snelheid door op de toets van de gewenste snelheid **T1** of **T2** te drukken: de booster wordt uitgeschakeld en de geselecteerde snelheid wordt geactiveerd.

Druk bij actieve booster nogmaals op **T3** om de afzuigkap uit te schakelen.

Na 5' wordt de booster automatisch uitgeschakeld en wordt de derde snelheid geactiveerd.

Timer (T4)

De timer kan geactiveerd worden als de eerste, de tweede of de derde snelheid actief is. Als de functie actief is, zullen zowel de LED van de Timer (**T4**) als die van de eerder geselecteerde snelheid (**T1/T2/T3**) continu branden.

De duur van de timer is afhankelijk van de geselecteerde snelheid:

Eerste snelheid **T1 = duur 20'**

Tweede snelheid **T2 = duur 15'**.

Derde snelheid: **T3 = duur 10'**.

De timer kan niet geactiveerd worden terwijl de booster actief is. Na het verstrijken van de tijd wordt de afzuigkap uitgeschakeld.

Wanneer voor een snelheid de functie timer actief is, kan worden overgegaan naar de andere snelheden door op de toets van de gewenste snelheid te drukken; deze handeling zal de timer uitschakelen.

Wanneer voor een snelheid de functie timer actief is, kan de timer worden uitgeschakeld door te drukken op **T4** of op een van de andere niet-actieve snelheden. Druk, om de afzuigkap uit te schakelen, nogmaals op de snelheid waarvoor eerder de functie timer werd geactiveerd.

Verlichting (T5)

De verlichting kan op elk gewenst moment worden ingeschakeld door te drukken op de toets T5. Bij actieve functie gaat de LED continu branden.

Instelling filter

De activering of deactivering van de lampjes van het filter kan alleen gebeuren bij uitgeschakelde afzuigkap.

Houd, om het configuratiemenu te openen, **T2+T3** lang ingedrukt; nadat het menu is geopend, begint **T1** te knipperen.

De standaardinstelling is:

- **vetfilter** lampje (**T2**) aan, dus actief;
- **geurfilter** lampje (**T3**) uit, dus niet actief.

T2 activeert/deactiveert het lampje van het vetfilter. **T3** activeert/deactiveert het lampje van het geurfilter. Houd, om het menu af te sluiten, **T1** lang ingedrukt of wacht **10"**

Herstel filter

De afzuigkap zal met regelmatige intervallen aangeven dat de filters moeten worden onderhouden:

- vetfilter om de **40 uur**;
- geurfilter om de **160 uur**.

Wanneer de gebruiker in dit geval, bij uitgeschakelde afzuigkap, op een willekeurige toets drukt, zal de interface gedurende **10"** twee mogelijke opties signaleren:

- als **T1+T2** knipperen: **onderhoud vetfilter**;
- als **T1+T3** knipperen: **onderhoud geurfilter**.

Tijdens de **10"** is het mogelijk om het vetfilter te herstellen door te drukken op **T1+T2** en het geurfilter te herstellen door te drukken op **T1+T3**. Aan het einde van het herstel zullen de betreffende toetsencombinaties twee maal snel knipperen. De interface functioneert nu normaal.

Opgelet:

De afzuigkap zal gedurende de **10"** normaal functioneren, maar de visuele feedback van de snelheidstoetsen ontbreekt. Als er gedurende de **10"** geen handelingen worden uitgevoerd, houden de LEDs op met knipperen en functioneert de visuele feedback weer als normaal.

ONDERHOUD

Schoonmaak

ALLEEN reinigen met een doek die is bevochtigd met een neutraal vloeibaar schoonmaakmiddel. **GEBRUIK BIJ HET REINIGEN GEEN GEREEDSCHAPPEN OF ANDERE VOORWERPEN.** Gebruik geen schuurmiddelen. **GEBRUIK GEEN ALCOHOL !**

Paneel voor de omtrek zuiging

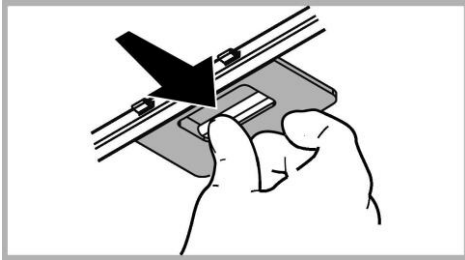
Reinig het paneel voor de omtrek zuiging even vaak als het vetfilter, gebruik een doek en een niet te geconcentreerd vloeibaar reinigingsmiddel. Gebruik geen producten die schuurmiddelen bevatten.

Onderhoud van de vetfilters

Vangt vetdeeltjes op uit de kookdampen.

Het vetfilter moet iedere maand worden gereinigd met een niet-agressief reinigingsmiddel, met de hand of in de vaatwasser. Zet de vaatwasser hierbij op de laagste temperatuur en het kortste programma. In de vaatwasser kan het vetfilter wat verkleuren. Dit heeft echter geen invloed op de filterwerking.

Trek aan de verende hendel om het vetfilter te verwijderen.



Onderhoud van het koolstoffilter

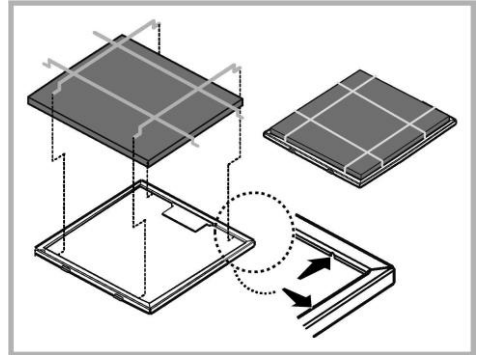
Absorbeert ongewenste kookgeurtjes. Filtermat (bij het product geleverd)

Het koolstoffilter kan om de twee maanden gewassen worden (of als de filter verzadiging indicatie – indien aanwezig op het model in Uw bezit – deze noodzaak aangeeft) in warm water met een hiervoor geschikt wasmiddel, of in de vaatwasser op 65°C (in het geval van het reinigen in de vaatwasser, een complete wascyclus gebruiken en geen andere vaat in de machine).

Verwijder het overtollige water zonder het filter te beschadigen, daarna het matje 10 minuten lang in de oven op 100°C doen om het goed te drogen.

Vervang het matje minimaal om de 3 jaar of indien het beschadigd is.

De filtermat kan vervangen worden door het circulaire koolstoffilter.



Rond koolstoffilter

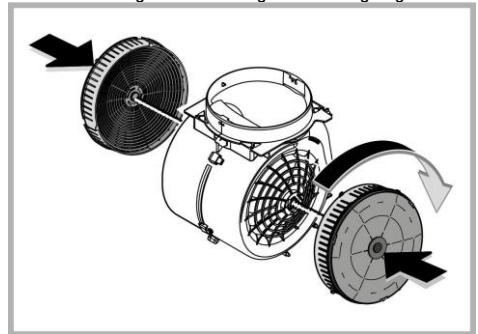
Plaats aan allebei de kanten van de aanzuigmotor een koolstoffilter over de beschermroosters en draai ze met de klok mee vast.

Om de filters te demonteren, draait u ze tegen de klok in.

Wanneer het koolfilter enige tijd is gebruikt, raakt het verzadigd, afhankelijk van welk type voedsel wordt bereid en hoe vaak het vetfilter wordt schoongemaakt.

De cartridge moet in ieder geval na vier maanden gebruik worden vervangen.

Het koolfilter mag **NIET** worden gewassen of geregenereerd.



Vervanging lampjes

De verlichting van de afzuigkap maakt gebruik van LED-technologie.

Dankzij de LEDS bent u verzekerd van optimale verlichting, een levensduur tot 10 keer zo lang als gewone lampen en een energiebesparing tot 90%.


Het verlichtingssysteem kan niet door de gebruiker vervangen worden: neem in geval van storingen contact op met de servicedienst.

VERWIJDERING

Dit toestel is gemarkeerd in overeenstemming met Europese richtlijn 2012/19/EC - UK SI 2013 No.3113 betreffende afgedankte elektrische en elektronische apparatuur (AEEA).

Zorg aan het einde van de levensduur van het apparaat dat het op de juiste manier wordt afgevoerd en verwerkt. Zo voorkomt u negatieve gevolgen voor volksgezondheid en milieu.



Het pictogram  op het product en/of in de bijbehorende documenten geeft aan dat dit apparaat niet als normaal huishoudelijk afval mag worden behandeld. Het product dient te worden afgegeven bij een officieel innamepunt voor elektrische en elektronische apparatuur om gerecycled te worden. Afvoer en verwerking moet worden uitgevoerd volgens plaatselijke milieu-regelgeving. Neem voor nadere informatie over inzamelen, verwerken en recyclen van dit product contact op met de betreffende afdeling van de lokale overheid, of de afdeling van uw leverancier die verantwoordelijkheid draagt voor afvalverwerking.

Toestel ontworpen, getest en gefabriceerd volgens:

- Veiligheid: EN/IEC 60335-1; EN/IEC 60335-2-31, EN/IEC 62233.
- Prestaties: EN/IEC 61591; ISO 5167-1; ISO 5167-3; ISO 5168; EN/IEC 60704-1; EN/IEC 60704-2-13; EN/IEC 60704-3; ISO 3741; EN 50564; IEC 62301.
- EMC: EN 55014-1; CISPR 14-1; EN 55014-2; CISPR 14-2; EN/IEC 61000-3-2; EN/IEC 61000-3-3.

Suggesties voor correct gebruik om impact op het milieu te verkleinen: zet de afzuigkap aan op de laagste snelheid wanneer u gaat koken en laat hem na afloop nog een paar minuten doorlopen. Kies alleen een hogere snelheid bij grote hoeveelheden damp of rook en gebruik de hoge snelheid/snelheden (Boost) alleen voor extreme omstandigheden. Vervang tijdig de koolfilter(s) om de afzuiging van kookgeurtjes zo effectief mogelijk te houden. Vervang tijdig vetfilter(s) om de gevolgen van vetafzetting zo effectief mogelijk tegen te gaan. Gebruik buizen van de maximale doorsnede zoals vermeld in deze gids, voor optimale efficiëntie en minimale geluidsproductie.



STORINGEN

Bij een storing van de afzuigkap, voer de volgende controles uit alvorens de Technische Dienst te raadplegen:

- Als de afzuigkap niet functioneert:
Controleer of: Controleer dat:
 - er geen stroomonderbreking is.
 - er een snelheid is geselecteerd.
- Bij een laag rendement van de afzuigkap:
Controleer of: Controleer dat:
 - de ingestelde snelheid volstaat voor de afgegeven hoeveelheid rook en dampen.
 - de keuken is voldoende geventileerd voor een correcte luchttoevoer.
 - de koolstoffilter niet is verzadigd (i.g.v. recirculatie).
- het uitvallen van de afzuigkap tijdens de normale werking heeft plaatsgevonden.
Controleer of: Controleer dat:
 - er geen stroomonderbreking is.
 - de omnipolaire schakelaar niet is opgetreden.

In geval van storingen, voordat U zich tot de assistentie service wendt, minstens 5 seconden het apparaat van de elektrische voeding doen, door de stekker uit te trekken, en daarna weer invoeren. In het geval dat de storing blijft voortbestaan, wendt U zich tot de assistentie service.

TECHNISCHE GEGEVENS

Højde (cm)	Bredde (cm)	Dybde (cm)	Ø på udsugningsrør (cm)
 71-104,5	59,8 - 79,8	32,6	15
 79,5-104,5			

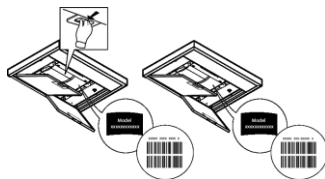


Niet meegeleverde onderdelen



U kunt de Veiligheidsinstructies, de Handleiding, de Productfiche en de Energiegegevens downloaden:

- Op onze website docs.whirlpool.eu
- Gebruik makend van de QR-code
- Anders, **contacteer onze Klantenservice** (Het telefoonnummer staat in het garantieboekje). Wanneer u contact neemt met de Klantenservice, gelieve de codes te vermelden die op het identificatieplaatje van het apparaat staan.



ΓΕΝΙΚΗ ΑΣΦΑΛΕΙΑ

- Πριν εκτελέσετε οποιαδήποτε διαδικασία καθαρισμού ή συντήρησης, αποσυνδέστε τη συσκευή από το ρεύμα, βγάζοντας το φως από την πρίζα ή κλείνοντας την ηλεκτρική παροχή.
 - Για όλες τις εργασίες εγκατάστασης και συντήρησης χρησιμοποιείτε γάντια εργασίας.
 - Η συσκευή αυτή μπορεί να χρησιμοποιηθεί από παιδιά ηλικίας 8 ετών και άνω και από άτομα με μειωμένες σωματικές, αισθητηριακές ή πνευματικές δυνατότητες ή έλλειψη εμπειρίας και γνώσης, εάν επιβλέπονται ή έχουν λάβει οδηγίες σχετικά με τη χρήση της συσκευής με ασφαλή τρόπο και κατανοούν τους κινδύνους που ενέχονται.
 - Μην αφήνετε μικρά παιδιά να παίζουν με τη συσκευή.
 - Ο καθαρισμός και η συντήρηση δεν πρέπει να πραγματοποιούνται από παιδιά χωρίς επίβλεψη.
 - Όταν στον χώρο που λειτουργεί ο απορροφητήρας υπάρχουν και συσκευές καύσης αερίου ή άλλων καυσίμων, πρέπει να εξασφαλίζεται πάντα επαρκής αερισμός.
 - Ο απορροφητήρας πρέπει να καθαρίζεται συστηματικά, τόσο εσωτερικά όσο και εξωτερικά (ΤΟΥΛΑΧΙΣΤΟΝ ΜΙΑ ΦΟΡΑ ΤΟΝ ΜΗΝΑ), σε κάθε περίπτωση δώστε μεγάλη προσοχή στις οδηγίες συντήρησης του παρόντος εγχειριδίου.
 - Η μη τήρηση των κανονισμών σχετικά με τον καθαρισμό του απορροφητήρα και την αντικατάσταση και καθαρισμό των φίλτρων μπορεί να προκαλέσει πυρκαγιές.
 - Απαγορεύεται αυστηρά το μαγείρεμα σε φλόγα (φλαμπέ) κάτω από τον απορροφητήρα.
 - Αντικαταστήστε τον λαμπτήρα μόνο με ίδιου τύπου λαμπτήρα (βλέπε κεφάλαιο συντήρησης/αντικατάστασης λαμπτήρων του παρόντος εγχειριδίου).
- Η χρήση ελεύθερης φλόγας καταστρέφει τα φίλτρα και μπορεί να προκαλέσει πυρκαγιά, για αυτό θα πρέπει να αποφεύγεται.
- Το τηγάνισμα πρέπει να γίνεται υπό έλεγχο έτσι ώστε να αποφευχθεί φωτιά από υπερθέρμανση λαδιού.
- ΠΡΟΕΙΔΟΠΟΙΗΣΗ:** Όταν η μονάδα εστιών βρίσκεται σε λειτουργία, τα προσβάσιμα μέρη του απορροφητήρα μπορεί να είναι ζεστά.
- Μην συνδέετε τη συσκευή στο ηλεκτρικό δίκτυο εάν δεν έχει ολοκληρωθεί η εγκατάσταση.
 - Πρέπει να τηρούνται πιστά όλοι οι ισχύοντες τοπικοί κανονισμοί για τα τεχνικά μέτρα και τα μέτρα ασφαλείας της εκκένωσης των καπνών.
 - Ο αέρας που αποβάλλεται δεν πρέπει να κατευθύνεται σε αγωγό που χρησιμοποιείται για την εκκένωση καπνών που παράγονται από συσκευές καύσης αερίου ή άλλου είδους καύση.
- ▲ ΑΤΕΝΧΑΟ!** Εάν η εγκατάσταση βιδών και στηριγμάτων στερέωσης δεν γίνει σύμφωνα με τις οδηγίες, μπορεί να προκληθούν κινδύνοι ηλεκτρικής φύσεως.

- Μη χρησιμοποιείτε ή μην αφήνετε τον απορροφητήρα χωρίς λάμπες σωστά τοποθετημένες, εξαιτίας ενδεχόμενου κινδύνου ηλεκτροπληξίας.
- Μη χρησιμοποιείτε ποτέ τον απορροφητήρα αν δεν είναι σωστά τοποθετημένο το μεταλλικό πλέγμα!
- Μη χρησιμοποιείτε ΠΟΤΕ τον απορροφητήρα σαν επίπεδο στήριξης, εκτός αν αναφέρεται ρητά στο εγχειρίδιο.
- Χρησιμοποιήστε μόνο τις βίδες στερέωσης που παρέχονται με το προϊόν εγκατάστασης ή, αν δεν παρέχονται, προμηθευτείτε τον σωστό τύπο βιδών.
- Χρησιμοποιήστε το σωστό μέγεθος βιδών, όπως ορίζεται στις Οδηγίες εγκατάστασης.
- Σε περίπτωση αμφιβολίας, συμβουλευτείτε αντιπρόσωπο ή εξουσιοδοτημένο κέντρο εξυπηρέτησης.

▲ ΠΡΟΣΟΧΗ! Να μην χρησιμοποιείται με προγραμματιστή, χρονόμετρο, ξεχωριστό τηλεχειριστήριο ή οποιοδήποτε άλλη συσκευή που ενεργοποιείται αυτομάτως.

Φυλάξτε τα παιδιά κάτω των 3 ετών μακριά από τη συσκευή. Σε περίπτωση που δεν υπάρχει συνεχής επίβλεψη ενός ενήλικα, φυλάξτε τη συσκευή μακριά από παιδιά κάτω των 8 ετών.

▲ ΠΡΟΣΟΧΗ: η συσκευή δεν προορίζεται για λειτουργία μέσω εξωτερικής διατάξης ή ξεχωριστού συστήματος απομακρυσμένου ελέγχου.

▲ Η παρούσα συσκευή δεν προορίζεται για επαγγελματική χρήση. Μην χρησιμοποιείτε τη συσκευή σε εξωτερικούς χώρους.

▲ Για την αποφυγή του κινδύνου ατομικών τραυματισμών, η συσκευή πρέπει να μεταφέρεται και να εγκαθίσταται από δύο ή περισσότερα άτομα.

▲ Η εγκατάσταση, συμπεριλαμβανομένων των πιθανών συνδέσεων για την υδροδότηση (εφόσον προβλέπονται) και των ηλεκτρικών συνδέσεων, καθώς και οι εργασίες επιδιόρθωσης πρέπει να εκτελούνται από ειδικευμένο προσωπικό.

Μόλις ολοκληρωθεί η εγκατάσταση, φυλάξτε το υλικό συσκευασίας (πλαστικά μέρη, φελιζόλ, κλπ.) μακριά από παιδιά για την αποφυγή του κινδύνου ασφυξίας. .

Μην χρησιμοποιείτε τη συσκευή αν είστε βρεγμένοι ή με γυμνά πόδια.

Ποτέ μην χρησιμοποιείτε συσκευές καθαρισμού με ατμό – κίνδυνος ηλεκτροπληξίας.

Το υλικό της συσκευασίας είναι ανακυκλώσιμο 100% και φέρει το σύμβολο της ανακύκλωσης



Ο απορροφητήρας μπορεί να παρουσιάσει διαφορές σε σχέση με τα σχέδια του παρόντος εγχειρίδιου. Παρόλα αυτά, οι οδηγίες χρήσης, συντήρησης και εγκατάστασης παραμένουν οι ίδιες.

Ακολουθήστε αυστηρά τις οδηγίες που αναφέρονται σε αυτό το εγχειρίδιο. Δεν αναλαμβάνουμε καμία ευθύνη για τυχόν δυσχέρειες, ζημιές ή πυρκαγιές που προκαλούνται και προέρχονται από την μη τήρηση των οδηγιών που αναφέρονται σε αυτό το εγχειρίδιο. Ο απορροφητήρας έχει κατασκευαστεί για την απορρόφηση καπνών και ατμών μαγειρέματος και έχει σχεδιαστεί αποκλειστικά για οικιακή χρήση

- Είναι σημαντικό να διατηρήσετε το παρόν εγχειρίδιο για να το συμβουλευέστε οποιαδήποτε στιγμή το χρειάζεστε! Σε περίπτωση πώλησης, δανεισμού ή μετακόμισης, βεβαιωθείτε ότι βρίσκεται συσκευασμένο μαζί με το προϊόν!
- Διαβάστε προσεκτικά τις οδηγίες: περιέχουν χρήσιμες πληροφορίες για την εγκατάσταση και χρήση του προϊόντος και για την ασφάλειά σας!
- Μην επιφέρετε ηλεκτρικές ή μηχανικές αλλαγές στο προϊόν ή στους σωλήνες εξαέρωσης!
- Πρίν προχωρήσετε στην εγκατάσταση της συσκευής βεβαιωθείτε ότι όλα τα εξαρτήματα δεν έχουν υποστεί ζημιά. Σε αντίθετη περίπτωση να έρθετε σε επαφή με τον πωλητή σας και να μην συνεχίσετε με την εγκατάσταση.

• Η ελάχιστη απόσταση μεταξύ της επιφάνειας της βάσης εστιών και του κατώτερου μέρους του απορροφητήρα κουζίνας δεν πρέπει να είναι μικρότερη των 45εκ. στην περίπτωση ηλεκτρικών κουζινών και των 65εκ στην περίπτωση κουζινών υγραερίου ή μικτών.

Εάν οι οδηγίες εγκατάστασης για βάση εστιών με αέριο καθορίζουν μια μεγαλύτερη απόσταση, πρέπει να την λάβετε υπόψη.

ΗΛΕΚΤΡΙΚΗ ΣΥΝΔΕΣΗ

Η τάση των κεντρικών αγωγών πρέπει να αντιστοιχεί σε αυτήν που αναγράφεται στην χαρακτηριστική ετικέτα, τοποθετημένη στο εσωτερικό του απορροφητήρα. Εάν παρέχεται η πρίζα, συνδέστε τον απορροφητήρα με παροχή ρεύματος που, σύμφωνα με τους προβλεπόμενους κανονισμούς, πρέπει να βρίσκεται σε προσιτή ζώνη, ακόμη και μετά την εγκατάσταση. Εάν δεν παρέχεται η πρίζα (προβλεπόμενη σύνδεση απευθείας με το ρεύμα) ή η πρίζα δεν είναι σε προσβάσιμη ζώνη, ακόμη και μετά την εγκατάσταση, εφαρμόστε έναν διπολικό διακόπτη ώστε να πληρεί τους κανόνες ασφαλείας που εξασφαλίζουν την ολοκληρωμένη αποσύνδεση του συστήματος σε περίπτωση υπέρτασης (κατηγορίας III), σύμφωνα με τις οδηγίες και τους κανόνες εγκαταστάσεως.

▲ ΠΡΟΕΙΔΟΠΟΙΗΣΗ! πριν συνδέσετε το σύστημα του απορροφητήρα με την ηλεκτρική εγκατάσταση και βεβαιωθείτε για την σωστή του λειτουργία, να ελέγχετε πάντοτε εάν το καλώδιο σύνδεσης είναι ορθά μονταρισμένο.

Αν το καλώδιο δεν διαθέτει βύσμα, συνδέστε τα σύρματα σύμφωνα με τον ακόλουθο πίνακα:

Τάση και συχνότητα του δικτύου

Συμβουλευτείτε την τιμή που αναφέρεται στην ετικέτα με τα χαρακτηριστικά στο εσωτερικό του απορροφητήρα.

Σύνδεση συρμάτων



: κίτρινο/πράσινο

N : μπλε

L : καφέ

Αντικατάσταση του καλωδίου τροφοδοσίας

Ο απορροφητήρας έχει ένα ειδικό ηλεκτρικό καλώδιο τροφοδοσίας. Σε περίπτωση φθοράς του καλωδίου, ζητήστε το από την υπηρεσία τεχνικής βοήθειας.

ΕΚΚΕΝΩΣΗ ΤΟΥ ΑΕΡΑ

(για τους απορροφητήρες με λειτουργία αναρρόφησης)

Συνδέστε τον απορροφητήρα με τους σωλήνες εκκένωσης καπνών πάνω στον τοίχο με διάμετρο αντίστοιχη της εξόδου αέρα.

Η χρήση σωλήνων μικρότερης διαμέτρου έχει σαν αποτέλεσμα την μείωση της απορροφητικής ικανότητας και τη δραστική αύξηση του θορύβου.

Δεν αναλαμβάνουμε καμία ευθύνη για το συγκεκριμένο θέμα.

! Χρησιμοποιήστε έναν αγωγό όσο το δυνατόν μικρότερου μήκους.

! Χρησιμοποιήστε έναν αγωγό με όσο το δυνατόν λιγότερες γωνίες (μέγιστη γωνία : 90°).

! Αποφεύγετε δραστικές αλλαγές της διατομής του αγωγού.

! Η εταιρεία δε φέρει καμία ευθύνη σε περίπτωση μη τήρησης των εν λόγω κανονισμών.

ΦΙΛΤΡΑΡΙΣΜΑ Ή ΑΝΑΡΡΟΦΗΣΗ?

! Ο απορροφητήρας με λειτουργία αναρρόφησης είναι έτοιμος να χρησιμοποιηθεί.

Για να μπορέσετε να χρησιμοποιήσετε τον απορροφητήρα με λειτουργία αναρρόφησης, θα πρέπει να εγκαταστήσετε το κατάλληλο ΚΙΤ ΕΞΑΡΤΗΜΑΤΩΝ.

Ελέγξτε στις πρώτες σελίδες τους εγχειριδίου αν το ΚΙΤ ΕΞΑΡΤΗΜΑΤΩΝ ήδη παρέχεται ή αν θα πρέπει να αγοράσετε ξεχωριστά.

Σημείωση: Αν το kit παρέχεται, και σε ορισμένες περιπτώσεις, το επιπρόσθετο σύστημα φιλτραρίσματος με φίλτρα ενεργού άνθρακα μπορεί να είναι ήδη εγκατεστημένο στον απορροφητήρα.

Οι πληροφορίες για τη μετατροπή του απορροφητήρα αναρρόφησης σε απορροφητήρα φιλτραρίσματος εμπεριέχονται στο εγχειρίδιο.

Έκδοση αναρρόφησης

Σε αυτήν την περίπτωση οι ατμοί αποβάλλονται στο εξωτερικό περιβάλλον μέσω ενός ειδικού αγωγού εξαερισμού που συνδέεται με το δακτύλιο σύνδεσης που βρίσκεται στο πάνω μέρος του απορροφητήρα.

ΠΡΟΕΙΔΟΠΟΙΗΣΗ!

Ο σωλήνας εξαερισμού δεν παρέχεται και πρέπει να αγοραστεί.

Η διάμετρος του αγωγού εξαερισμού πρέπει να είναι αντίστοιχη με την διάμετρο του δακτυλίου σύνδεσης.

ΠΡΟΕΙΔΟΠΟΙΗΣΗ!

Εάν ο απορροφητήρας έχει φίλτρο ενεργού άνθρακα, τότε αυτό πρέπει να αφαιρεθεί.

Έκδοση φιλτραρίσματος

Το φίλτρο αφαιρεί τα λίπη και τις μυρωδιές από τον εξαγόμενο αέρα πριν διοχετευτεί στο εσωτερικό του δωματίου μέσω της επάνω σχάρας.

Προκειμένου να χρησιμοποιήσετε τον απορροφητήρα σε αυτό τον τύπο, πρέπει να εγκαταστήσετε ένα σύστημα πρόσθετου φιλτραρίσματος, βασισμένο στον ενεργό άνθρακα.

ΕΝΤΟΛΕΣ

Ο απορροφητήρας είναι εξοπλισμένος με πίνακα ελέγχου που έχει τη δυνατότητα ελέγχου επιλογής ταχύτητων και με διακόπτη φωτισμού για να ελέγχει το φωτισμό στη μαγειρική ζώνη.



Πρώτη ταχύτητα (T1)

Πατήστε **T1** για να ενεργοποιήσετε την πρώτη ταχύτητα. Όταν η λειτουργία είναι ενεργοποιημένη, το LED ανάβει εκπέμποντας σταθερό φως. Πατήστε ξανά **T1** για να σβήσετε τον απορροφητήρα.

Δεύτερη ταχύτητα (T2)

Πατήστε **T2** για να ενεργοποιήσετε τη δεύτερη ταχύτητα. Όταν η λειτουργία είναι ενεργοποιημένη, το LED ανάβει εκπέμποντας σταθερό φως. Πατήστε ξανά **T2** για να σβήσετε τον απορροφητήρα.

Τρίτη ταχύτητα και BOOSTER (ΕΝΙΣΧΥΣΗ) (T3)

Όταν ο απορροφητήρας είναι απενεργοποιημένος ή είναι ενεργός η πρώτη ή η δεύτερη ταχύτητα, η τρίτη ταχύτητα μπορεί να ενεργοποιηθεί πατώντας το κουμπί **T3** και το LED ανάβει εκπέμποντας σταθερό φως.

Αν πατήσετε ξανά το **T3**, θα ενεργοποιηθεί το booster. Το booster μπορεί να ενεργοποιηθεί μόνο εάν είναι ήδη ενεργή η τρίτη ταχύτητα. Όταν το booster είναι αναμμένο, το LED **T3** θα αρχίσει να πάλνεται. Ενώ το booster βρίσκεται σε λειτουργία, μπορείτε να περάσετε στην πρώτη ή στη δεύτερη ταχύτητα πατώντας το επιθυμητό κουμπί ταχύτητας **T1** ή **T2**, το booster θα σβήσει και θα ενεργοποιηθεί η επιλεγμένη ταχύτητα.

Όταν το booster είναι αναμμένο, πατήστε ξανά το **T3** για να σβήσετε τον απορροφητήρα.

Ύστερα από 5' το booster σβήνει αυτόματα και η τρίτη ταχύτητα ενεργοποιείται αυτόματα.

Timer (Χρονοδιακόπτης) (T4)

Το timer μπορεί να ενεργοποιηθεί όταν είναι ενεργή η πρώτη ή η δεύτερη ή η τρίτη ταχύτητα. Όταν η λειτουργία είναι ενεργοποιημένη, τόσο το LED του Timer (T4) όσο και εκείνο της ταχύτητας που έχετε επιλέξει προηγουμένως (T1/T2/T3) ανάβουν εκπέμποντας σταθερό φως.

Το timer διαρκεί ανάλογα με την επιλεγμένη ταχύτητα:

Πρώτη ταχύτητα **T1 = διάρκεια 20'**

Δεύτερη ταχύτητα **T2 = διάρκεια 15'**

Τρίτη ταχύτητα: **T3 = διάρκεια 10'**

Το timer δεν μπορεί να ενεργοποιηθεί όταν το booster είναι ενεργή. Μόλις λήξει ο χρόνος, ο απορροφητήρας σβήνει. Όταν μια ταχύτητα έχει χρονισμό, μπορείτε να περάσετε σε άλλες ταχύτητες πατώντας τον επιθυμητό κουμπί ταχύτητας. Η ενέργεια αυτή θα σβήσει το timer (χρονοδιακόπτη).

Όταν μια ταχύτητα έχει χρονισμό, μπορείτε να απενεργοποιήσετε το timer πατώντας είτε το **T4**, είτε μία από τις άλλες δύο μη ενεργές ταχύτητες. Για να σβήσετε τον απορροφητήρα, πατήστε ξανά την ταχύτητα στην οποία είχατε εφαρμόσει προηγουμένως τον χρονισμό.

Φωτισμός (T5)

Ο φωτισμός μπορεί να ενεργοποιηθεί ανά πάσα στιγμή πατώντας το κουμπί T5. Όταν η λειτουργία είναι ενεργοποιημένη, το LED ανάβει εκπέμποντας σταθερό φως.

Ρύθμιση φίλτρου

Η ενεργοποίηση ή η απενεργοποίηση των δεικτών του φίλτρου μπορεί να εκτελεστεί μόνο με σβησμένο τον απορροφητήρα.

Για να εισέλθετε στο μενού ρύθμισης, πατήστε παρατεταμένα τα κουμπιά **T2+T3**, και μόλις εισέλθετε στο μενού, το **T1** θα αρχίσει να πάλλεται.

Η προεπιλεγμένη ρύθμιση είναι:

- **φίλτρο κατά του λίπους** δείκτης (**T2**) αναμμένος, επομένως ενεργό,
- **φίλτρο κατά των οσμών** δείκτης (**T3**) σβησμένος, επομένως μη ενεργό.

T2 ενεργοποιεί/απενεργοποιεί τον δείκτη του φίλτρου λίπους. **T3** ενεργοποιεί/απενεργοποιεί τον δείκτη του φίλτρου οσμών. Για να εξέλθετε από το μενού, πατήστε παρατεταμένα το **T1** ή περιμένετε **10"**

Επαναφορά φίλτρου

Ο απορροφητήρας επισημαίνει ανά τακτά διαστήματα ότι απαιτείται συντήρηση των φίλτρων:

- φίλτρο κατά του λίπους κάθε **40 ώρες**,
- φίλτρο κατά των οσμών κάθε **160 ώρες**.

Σε αυτή την περίπτωση, με σβησμένο τον απορροφητήρα, όταν ο χρήστης ακουμπήσει ένα οποιοδήποτε κουμπί, η διεπαφή μπορεί να εμφανίσει για **10"** δύο τύπους απαιτούμενων ενεργειών:

- αν τα **T1+T2** πάλλονται: **συντήρηση φίλτρου λίπους**,
- αν τα **T1+T3** πάλλονται: **συντήρηση φίλτρου οσμών**.

Κατά τη διάρκεια των **10"** υπάρχει δυνατότητα επαναφοράς του φίλτρου λίπους πατώντας **T1+T2** και επαναφοράς του φίλτρου οσμών πατώντας **T1+T3**. Στο τέλος της επαναφοράς, οι συνδυασμοί των κουμπιών θα αναβοσβήσουν γρήγορα δύο φορές. Η διεπαφή πλέον θα λειτουργεί ως συνήθως.

Προσοχή:

Κατά τη διάρκεια των **10"**, ο απορροφητήρας θα λειτουργεί κανονικά, ωστόσο δεν θα υπάρχει οπτική ανατροφοδότηση στα κουμπιά των ταχυτήτων. Αν κατά τη διάρκεια των **10"** δεν πραγματοποιηθεί καμία ενέργεια, τα LED θα σταματήσουν να πάλλονται και η οπτική ανατροφοδότηση θα επανέλθει στην κανονική της κατάσταση.

ΣΥΝΤΗΡΗΣΗ

Καθαρισμός

Για τον καθαρισμό χρησιμοποιήστε **ΑΠΟΚΛΕΙΣΤΙΚΑ** ένα υγρό πανί με ουδέτερα υγρά απορρυπαντικά. **ΜΗΝ ΧΡΗΣΙΜΟΠΟΙΕΙΤΕ ΕΡΓΑΛΕΙΑ Ή ΜΕΣΑ ΚΑΘΑΡΙΣΜΟΥ!** Αποφύγετε τη χρήση λειαντικών μέσων. **ΜΗ ΧΡΗΣΙΜΟΠΟΙΕΙΤΕ ΑΛΚΟΟΛ!**

Πίνακας περιμετρικής αναρρόφησης

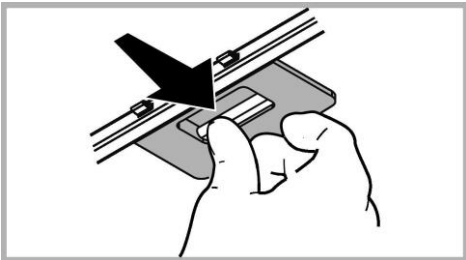
Καθαρίζετε την περιμετρική επιφάνεια απορρόφησης με την ίδια συχνότητα με την οποία γίνεται η συντήρηση των φίλτρων για τα λίπη, χρησιμοποιώντας πανί και μη συμπυκνωμένο απορρυπαντικό. Αποφύγετε τη χρήση λειαντικών μέσων.

Συντήρηση των φίλτρων λίπους

Συγκρατεί τα σωματίδια λίπους που προέρχονται από το μαγείρεμα.

Πρέπει να καθαρίζεται μια φορά τον μήνα με απορρυπαντικά που δεν χαράζουν, είτε στο χέρι ή στο πλυντήριο πιάτων, το οποίο πρέπει να ρυθμιστεί σε χαμηλή θερμοκρασία και σε σύντομο κύκλο. Με το πλύσιμο στο πλυντήριο πιάτων, το φίλτρο για τα λίπη μπορεί ελαφρώς να χάσει το χρώμα του αλλά αυτό δεν μεταβάλλει τις ιδιότητες φιλτραρίσματος.

Για να βγάλετε το φίλτρο για τα λίπη τράβηξε την λαβή αποσυμπλοκής.



Συντήρηση του φίλτρου άνθρακα

Απορροφά τις δυσάρεστες οσμές που προέρχονται από το μαγείρεμα.

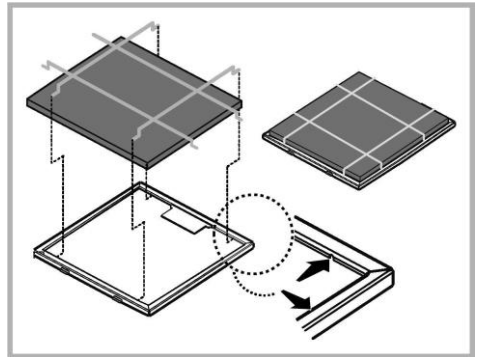
Φίλτρο με στρώμα (παρέχεται μαζί με το προϊόν).

Το φίλτρο άνθρακα μπορεί να πλυθεί κάθε δύο μήνες (ή όταν το σύστημα ένδειξης κορεσμού των φίλτρων – εάν προβλέπεται στο μοντέλο που κατέχεται – ενδεικνύει αυτή την ανάγκη) σε ζεστό νερό και ιδανικά απορρυπαντικά ή στο πλυντήριο πιάτων σε 65°C (στην περίπτωση πλύσιματος στο πλυντήριο πιάτων να γίνει ολόκληρος ο κύκλος χωρίς άλλα πιατικά μέσα).

Αφαιρέστε το νερό που πλεονάζει χωρής να καταστραφεί το φίλτρο, μετά βάλτε το στον φούρνο για 10 λεπτά σε 100°C για να ξεραθεί οριστικά.

Αντικαταστήστε το στρωματάκι κάθε 3 χρόνια και κάθε φορά που το πανί έχει υποστεί ζημιά.

Το φίλτρο με στρώμα μπορεί να αντικατασταθεί με το κυκλικό φίλτρο άνθρακα.



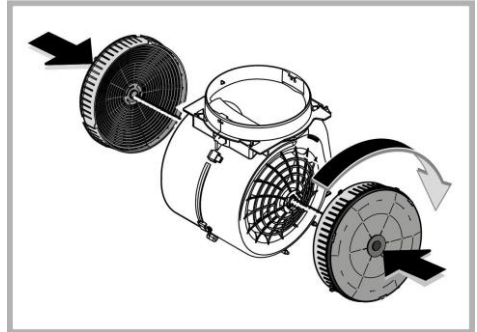
Κυκλικό φίλτρο άνθρακα.

Εφαρμόστε ένα σε κάθε πλευρά για την κάλυψη και των δύο δικτύων προστασίας του περιστροφικού τμήματος της μηχανής, και κατόπιν περιστρέψτε σε ωρολογιακή φορά. Για την αποσυναρμολόγηση, περιστρέψτε προς την αντίθετη κατεύθυνση.

Ο κορεσμός του ενεργού άνθρακα συντελείται λίγο πολύ από την παρατεταμένη χρήση ανάλογα με τον τύπο του μαγειρέματος και την συχνότητα καθαρισμού του φίλτρου για τα λίπη.

Σε κάθε περίπτωση είναι αναγκαία η αντικατάσταση του φίλτρου τουλάχιστον κάθε τέσσερις μήνες.

Το φίλτρο άνθρακα μπορεί να ΜΗΝ πλυθεί ή να ανανεωθεί.



Αντικατάσταση των λυχνιών

Ο απορροφητήρας διαθέτει σύστημα φωτισμού που χρησιμοποιεί την τεχνολογία LED.

Η τεχνολογία LED εγγυάται άριστο φωτισμό, διάρκεια έως 10 φορές μεγαλύτερη των κοινών λαμπτήρων ενώ παράλληλα επιτρέπουν την εξοικονόμηση έως και του 90% της ηλεκτρικής ενέργειας.


Το σύστημα φωτισμού δεν μπορεί να αντικατασταθεί από τον χρήστη, σε περίπτωση δυσλειτουργίας επικοινωνήστε με την υπηρεσία υποστήριξης.

ΑΠΟΡΡΙΨΗ

Αυτή η συσκευή φέρει σήμανση σύμφωνα με την Ευρωπαϊκή οδηγία 2012/19/EC - UK SI 2013 No.3113 σχετικά με τα Απορριπτόμενα ηλεκτρικά και ηλεκτρονικά εξαρτήματα (WEEE).

Εξασφαλίζοντας ότι το προϊόν αυτό απορρίπτεται σωστά, θα βοηθήσετε στην πρόληψη πιθανά αρνητικών επιπτώσεων για το περιβάλλον και την ανθρώπινη υγεία, οι οποίες θα μπορούσαν να δημιουργηθούν από τον ακατάλληλο χειρισμό αυτού του προϊόντος ως απόρριμμα.



Το σύμβολο  πάνω στο προϊόν, ή στα έγγραφα που συνοδεύουν το προϊόν, υποδεικνύει ότι αυτή η συσκευή δεν μπορεί να θεωρηθεί οικιακό απόρριμμα. Αντί για αυτό θα πρέπει να παραδοθεί στο κατάλληλο σημείο περισυλλογής για την ανακύκλωση των ηλεκτρικών και ηλεκτρονικών εξαρτημάτων. Η απόρριψη του πρέπει να πραγματοποιείται τηρώντας την τοπική νομοθεσία για την διάθεση των απορριμμάτων.

Για πιο λεπτομερείς πληροφορίες σχετικά με την επεξεργασία, την περισυλλογή και την ανακύκλωση αυτού του προϊόντος, παρακαλούμε επικοινωνήστε με το αρμόδιο γραφείο την τοπικής αυτοδιοίκησης, την τοπική σας υπηρεσία αποκομιδής οικιακών απορριμμάτων ή το κατάστημα όπου αγοράσατε αυτό το προϊόν.

Η συσκευή έχει σχεδιαστεί, δοκιμαστεί και κατασκευαστεί σύμφωνα με την:

- Ασφάλεια: EN/IEC 60335-1; EN/IEC 60335-2-31, EN/IEC 62233.
- Επίδοση: EN/IEC 61591; ISO 5167-1; ISO 5167-3; ISO 5168; EN/IEC 60704-1; EN/IEC 60704-2-13; EN/IEC 60704-3; ISO 3741; EN 50564; IEC 62301.
- EMC: EN 55014-1; CISPR 14-1; EN 55014-2; CISPR 14-2; EN/IEC 61000-3-2; EN/IEC 61000-3-3.

Προτάσεις για μια σωστή χρήση ούτως ώστε να μειωθούν οι περιβαλλοντικές επιπτώσεις:

Ενεργοποιήστε τον απορροφητήρα στην ελάχιστη ταχύτητα όταν αρχίσετε το μαγείρεμα και αφήστε τον αναμμένο για λίγα λεπτά μετά το τέλος του μαγειρέματος. Αυξήστε την ταχύτητα μόνο σε περίπτωση μεγάλης συγκέντρωσης καπνού και ατμού και χρησιμοποιήστε την επιταχυνόμενη ταχύτητα μόνο σε ακραίες καταστάσεις. Αντικαταστήστε το φίλτρο ενεργού άνθρακα όταν θα πρέπει να διατηρηθεί μια καλή απόδοση της μείωσης της οσμής. Καθαρίστε το φίλτρο λίπους όταν θα πρέπει να διατηρηθεί μια καλή απόδοση του φίλτρου λίπους. Χρησιμοποιήστε τη μέγιστη διάμετρο του συστήματος των σωληνώσεων που υποδεικνύεται στο εγχειρίδιο αυτό, ούτως ώστε να βελτιστοποιηθεί η απόδοση και να ελαχιστοποιηθεί ο θόρυβος.



ΔΥΣΛΕΙΤΟΥΡΓΙΕΣ

Αν φαίνεται ότι υπάρχει κάτι που δεν λειτουργεί, πριν καλέσετε την υπηρεσία τεχνικής υποστήριξης εκτελέστε τους εξής απλούς ελέγχους:

- Αν δεν λειτουργεί ο απορροφητήρας:
Ελέγξτε ότι:
 - δεν υπάρχει διακοπή του ηλεκτρικού ρεύματος.
 - έχει επιλεγθεί μια ταχύτητα.
- Αν ο απορροφητήρας έχει μειωμένη απόδοση:
Ελέγξτε ότι:
 - Η επιλεγμένη ταχύτητα του κινητήρα είναι αρκετή για την ποσότητα του καπνού και των ελεύθερων ατμών.
 - Η κουζίνα αερίζεται επαρκώς επιτρέποντας την λήψη αέρα.
 - Το φίλτρο άνθρακα δεν έχει φθαρεί (απορροφητήρας σε έκδοση φιλτραρίσματος).
- Αν ο απορροφητήρας έχει απενεργοποιηθεί κατά την εξέλιξη της ομαλής λειτουργίας:
Ελέγξτε ότι:
 - δεν υπάρχει διακοπή του ηλεκτρικού ρεύματος.
 - δεν έχει ενεργοποιηθεί η συσκευή του ομπι-πολικού διακόπτη.

Σε περίπτωση ενδεχομένων δυσλειτουργιών, πριν απευθυνθείτε στην υπηρεσία τεχνικής υποστήριξης, αποσυνδέστε για 5 δευτ. τουλάχιστον τη συσκευή της ηλεκτρικής τροφοδοσίας βγάζοντας το φις και στη συνέχεια συνδέστε το ξανά. Σε περίπτωση που η δυσλειτουργία παραμένει, απευθυνθείτε στην υπηρεσία τεχνικής υποστήριξης.

ΤΕΧΝΙΚΑ ΣΤΟΙΧΕΙΑ

Ύψος (εκ.)	Πλάτος (εκ.)	Βάθος (εκ.)	Ø του σωλήνα εκκένωσης (εκ.)
 71-104,5	59,8 - 79,8	32,6	15
 79,5-104,5			



Εξαρτήματα που δεν παρέχονται με το προϊόν

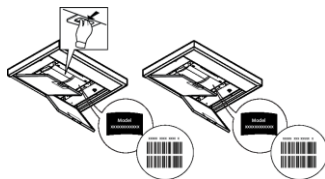


Για να κατεβάσετε τις οδηγίες ασφαλείας, το εγχειρίδιο χρήσης, το τεχνικό δελτίο και τα ενεργειακά δεδομένα:

- Επισκεφθείτε την ιστοσελίδα docs.whirlpool.eu

- Χρησιμοποιήστε τον κωδικό QR

- Ή, επικοινωνήστε με την Υπηρεσία Εξυπηρέτησης (στον τηλεφωνικό αριθμό που αναγράφεται στο δελτίο εγγύησης). Όταν επικοινωνείτε με την Υπηρεσία Εξυπηρέτησης, να δηλώνετε τους κωδικούς που υπάρχουν στην πινακίδα μητρώου του προϊόντος.



UPOZORENJA

- Prije bilo koje operacije čišćenja ili održavanja, odvojite napu od električnog napajanja uklanjajući utičnicu ili odspajanjem glavnog prekidača u kući.
 - Uvijek nosite radne rukavice za sve operacije instalacije i održavanja.
 - Ovaj uređaj se može koristiti od strane djece ne mlađe od 8 godina i osoba sa smanjenim fizičkim, osjetilnim ili mentalnim sposobnostima ili nedostatkom iskustva i potrebnog znanja, ako se nalaze pod nadzorom ili nakon što su primile uputstva za sigurnu uporabu uređaja i razumjele opasnosti do kojih može doći prilikom uporabe.
 - Djeca moraju biti pod nadzorom kako se ne bi igrala s uređajem. Čišćenje i održavanje ne smiju se vršiti od strane djece bez nadzora.
 - Prostorija mora biti dovoljno prozračena kada se kuhinjska napa koristi zajedno s ostalim uređajima na plinsko ili ostalo sagorijevanje.
 - Napa se mora redovito čistiti iznutra i izvana (BAREM JEDNOM MJESEČNO). Potrebno je, međutim, poštivati ono što je izričito navedeno u uputama za održavanje.
 - Nepoštivanje uputa za čišćenje nape i promjenu i čišćenje filtera može uzrokovati požar.
 - Strogo je zabranjeno pripremati hranu na plamenu ispod nape.
 - Za zamjenu žarulje, koristiti samo tip žarulje naveden u poglavlju održavanje/zamjena žarulje u ovom priručniku.
- Uporaba otvorenog plamena štetna je za filtre i može izazvati požar, stoga se treba u svakom slučaju izbjegavati.
- Prženje se treba vršiti pod nadzorom kako bi se izbjeglo da se pregrijano ulje zapali.
- PAŽNJA:** Kada je ploča za kuhanje u funkciji, dostupni dijelovi nape mogu postati vrući.
- Ne spajajte uređaj na električnu mrežu dok instalacija nije potpuno završena.
 - Što se tiče tehničkih mjera i mjera sigurnosti koje se moraju poduzeti prilikom ispuštanja para, treba se strogo pridržavati odredbi i propisa lokalnih vlasti.
 - Ispušni zrak ne smije biti prenošen kanalom za ispuštanje para proizvedenih od strane uređaja na plinsko ili drugo sagorijevanje.
- ▲ PAŽNJA!** Neuspješna instalacija vijaka i zatvarača u skladu s ovim uputama, može rezultirati opasnostima električne naravi.
- Nemojte koristiti ili ostaviti napu bez pravilno montiranih žarulja zbog moguće opasnosti od strujnog udara.
 - Nikada ne koristite napu bez pravilno montirane mreže!
 - Napa se ne smije NIKADA koristiti kao površina za odlaganje, osim ako to nije izričito navedeno.
 - Koristite samo vijke za ugradnju isporučene s proizvodom, ili, ako nisu isporučeni, kupite ispravnu vrstu vijaka. Koristite ispravnu duljinu za vijke, navedenu u • Vodiču za instalaciju. Ako ste u nedoumici, obratite se ovlaštenom servisu ili sličnom kvalificiranom osoblju.

▲ PAŽNJA! Ne koristiti s programatorom, timerom, odvojenim daljinskim upravljačem ili bilo kojim drugim uređajem koji se aktivira automatski.

Djecu mlađu od 3 godine držite dalje od uređaja. Bez stalnog nadzora odrasle osobe držite uređaj izvan dohvata djece mlađe od 8 godina.

▲ PAŽNJA: uređaj nije namijenjen za upravljanje putem vanjskog uređaja ili zasebnim sustavom daljinskog upravljanja.

▲ Ovaj uređaj nije namijenjen za profesionalnu uporabu. Nemojte koristiti uređaj na otvorenom.

▲ Kako biste izbjegli opasnost od tjelesnih ozljeda, uređaj moraju premještati i instalirati dvije ili više osoba.

▲ Instalaciju, uključujući sve priključke za opskrbu vodom (ako postoje) i električne priključke i popravke, mora izvoditi kvalificirano osoblje.

Nakon završetka instalacije, materijal za pakiranje (plastični dijelovi, polistiren itd.) držite izvan dohvata djece kako bi se izbjegla opasnost od gušenja.

Ne koristite uređaj ako ste mokri ili bosih nogu.

Nikada nemojte koristiti uređaje za čišćenje pare - opasnost od strujnog udara.

Materijal za pakiranje može se 100% reciklirati i označen je simbolom za recikliranje



Vanjski izgled kuhinjske nape se može ponešto razlikovati od onog što smo opisali i ilustrirali u crtežima ovog priručnika, ali u svakom slučaju uputstva za uporabu, održavanje iste i instalacija ostaju nepromijenjena.

Strogo se pridržavajte uputstva koje donosi ovaj priručnik. Otklanjamo bilo kakvu odgovornost za eventualne nezgode, smetnje ili požar na aparatu koji proizlaze iz nepoštivanja uputstva koje donosi ovaj priručnik. Kuhinjska napa ima funkciju usisavanja dima i pare za vrijeme kuhanja te je namijenjena samo kućnoj uporabi.

- Važno je sačuvati ovaj priručnik da biste ga mogli konzultirati u svakom trenutku. U slučaju da prodate ovaj proizvod, poklonite ili da se preselite uvjerite se da on bude uvijek zajedno sa proizvodom.
- Pažljivo pročitajte uputstva: u njima se nalaze važne informacije o instalaciji, uporabi i sigurnosti.
- Ne izvršavajte nikakve mehaničke ili električne varijacije (izmjene) na proizvodu ili na cijevima za izbacivanje.
- Prije nego što počnete s instalacijom aparata, uvjerite se da nijedna komponenta nije oštećena. U suprotnom slučaju, kontaktirajte trgovca i ne nastavljajte s instalacijom.

• Minimalna udaljenost između podloge za posude na štednjaku i najnižeg dijela kuhinjske nape ne smije biti niža od 45cm kada se radi o električnim štednjacima, a 65cm u slučaju plinskih ili mješovitih štednjaka.

Ukoliko uputstva za instalaciju aparata na plin govore da je potrebno održavati veću udaljenost, trebete ih se pridržavati.

ELEKTRIČNO NAPAJANJE

Napon mreže treba odgovarati naponu koji je naveden na etiketi karakteristika koji se nalazi u unutrašnjosti kuhinjske nape. Ukoliko ima utikač, povežite kuhinjsku napu s jednim utikačem koja je u skladu s propisima na snazi i koji je postavljen na pristupačnom mjestu čak i nakon instalacije. Ako nije opremljen utikačem (direktno povezivanje s mrežom) ili utikač nije postavljen na pristupačnom mjestu, čak i nakon instalacije postavite dvopolan prekidač koji je u skladu s propisima i koji osigurava kompletno iskopčavanje s mreže u uvjetima kategorije br.3 o previsokom naponu, u skladu s pravilima o instalaciji.

▲ UPOZORENJE! Prije nego što ponovno povežete napajanje kuhinjske nape s

napajanjem mreže te provjerite pravilno funkcioniranje , uvijek dobro prekontrolirajte dali je kabal mreže bio pravilno montiran.

Ako kabal nema utikač, spojite žice prema sljedećoj tablici:

Mrežni napon i frekvencija

Pogledajte vrijednost označenu na naljepnici s karakteristikama unutar nape.

Priključivanje žica



: žuto/zelena

N : plava

L : smeđa

Zamjena kabala za napajanje

Kuhinjska napa je opremljena specijalnim kablom za napajanje; u slučaju da dođe do oštećenja kabla možete ga zatražiti i dobiti od Tehničke potpore.

ISPUST ZRAKA

(za usisne verzije)

Povežite kuhinjsku napu i otvore za izbacivanje na zidu s istim promjerom otvora za zrak (karika za povezivanje).

Korištenje cijevi i otvora za izbacivanje na zidu koje imaju manji promjer smanjiti će sposobnost usisavanje te će dovesti do znatnog povećanja buke.

SSvaka odgovornost povezana sa navedenim bit će odbijena.

! Koristite cijev koja ima minimalnu neophodnu duljinu.

! Koristite cijev koja ima minimalni mogući broj zavoja (maksimalni kut zavoja: 90°).

! Izbjegavajte drastične promjene u poprečnom presjeku cijevi.

! Tvrtka ne prihvaća nikakvu odgovornost ukoliko se navedena pravila ne poštuju.

FILTRIRAJUĆA ILI USISNA ?

! Vaša napa je spremna za uporabu u usisnoj verziji. Kako biste koristili napu u filtrirajućoj verziji, potrebno je instalirati posebni SET PRIBORA.

Provjerite na prvim stranicama ovog priručnika je li SET PRIBORA već uključen u isporuku ili se mora zasebno nabaviti.

Napomena: Ukoliko je uključen u isporuku, iu nekim slučajevima, moguće je da je dodatni sustav za filtriranje koji se temelji na aktivnom već instaliran u ormarić.

Informacije za promjenu nape iz usisne u filtrirajuću već su sadržane u ovom priručniku.

Usisna verzija

U ovom slučaju para se prenosi van iz zgrade pomoću posebne cijevi povezane na kariku za povezivanje locirane na vrhu nape.

UPOZORENJE!

Usisna cijev nije priložena s opremom, te se treba kupiti.

Dijametar usisne cijevi odisis treba biti jednak dijametru karike za povezivanje.

UPOZORENJE!

Ako je kuhinjska napa opremljena filterima od ugljena, oni se trebaju ukloniti.

Filtrirajuća verzija

Usisavani zrak će se očistiti od masnoća te će se ponovno vratiti u prostoriju. Da biste koristili kuhinjsku napu u ovoj verziji potrebno je instalirati dodatni sustav za filtraciju na osnovi aktivnih filtera od ugljena.

NAREDBE

Napa ima upravljačku ploču s kontrolom brzine usisavanja i kontrolom paljenja svjetla za osvjjetljenje površine za kuhanje.



Prva brzina (T1)

Pritisnite **T1** za aktiviranje prve brzine. Kad se funkcija aktivira, LED žaruljica neprekidno svijetli. Ponovno pritisnite **T1** da biste isključili napu.

Druga brzina (T2)

Pritisnite **T2** za aktiviranje druge brzine. Kad se funkcija aktivira, LED žaruljica neprekidno svijetli. Ponovno pritisnite **T2** da biste isključili napu.

Treća brzina i BOOSTER (povećanje snage) (T3)

Kad je napa isključena ili je aktivna prva ili druga brzina, treću brzinu možete aktivirati pritiskom na tipku **T3** i LED svijetli neprekidno. Još jedan pritisak na **T3**, uključit će booster. Booster se može aktivirati tek nakon što je treća brzina već aktivna. Kad je booster uključen, LED **T3** će početi pulsirati. Dok booster radi, možete se prebaciti na prvu ili drugu brzinu pritiskom na željenu tipku za brzinu **T1** ili **T2**, booster se isključuje i aktivira se odabrana brzina.

Kad je booster uključen, ponovo pritisnite **T3** da biste isključili napu.

Nakon 5' booster se automatski isključuje i treća brzina se aktivira. automatski.

Timer (mjerač vremena) (T4)

Mjerač vremena se može aktivirati kada je uključena prva ili druga ili treća brzina. Kad je funkcija aktivirana, LED lampica mjerača vremena (**T4**) i prethodno odabrane brzine (**T1/T2/T3**) svijetle sa stalnim svjetlom.

Mjerač vremena traje prema odabranoj brzini:

Prva brzina **T1 = trajanje 20'**

Druga brzina **T2 = trajanje 15'**

Treća brzina: **T3 = trajanje 10'**

Mjerač vremena se ne može aktivirati kada je booster aktivan. Po isteku vremena napa se isključuje. Kada jedna brzina ima postavljeno mjerenje vremena, možete prijeći na druge brzine pritiskom na željenu tipku za brzinu, a ova radnja će isključiti mjerač vremena.

Kad je podešena brzina, možete isključiti mjerač vremena pritiskom na **T4**, ili jednu od druge dvije neaktivne brzine. Da biste isključili napu, pritisnite ponovo brzinu na koju ste ranije postavili mjerenje vremena.

Svjetlo (T5)

Svjetlo se može aktivirati u bilo kojem trenutku pritiskom na tipku **T5**. Kad se funkcija aktivira, LED žaruljica neprekidno svijetli.

Postavka filtra

Aktiviranje ili deaktiviranje indikatora filtra može se izvršiti samo kada je napa isključena.

Za pristup izborniku konfiguracije, dugo pritisnite tipke **T2+T3**, a kada uđete u izbornik **T1** počinje treperiti.

Zadana postavka je:

- **filtrar za mast** pokazatelj (**T2**) uključen, dakle aktivan;
- **filtrar mirisa** pokazatelj (**T3**) isključen, dakle nije aktivan.

T2 aktivira/deaktivira indikator filtra za mast. **T3** aktivira/deaktivira indikator filtra mirisa. Za izlaz iz izbornika dugo pritisnite **T1** ili sačekajte 10"

Obnavljanje filtra

Napa se u redovitim intervalima javlja da se filtri moraju servisirati:

- filter za mast svakih **40 sati**;
- filter mirisa svakih **160 sati**.

U ovom slučaju, kada je napa isključena, kada korisnik dodirne bilo koju tipku, sučelje će signalizirati za 10" dvije vrste potreba:

- ako **T1+T2** trepere: **održavanje filtra za mast**;

– ako **T1+T3** trepere: **održavanje filtra mirisa.**

Tijekom 10" moguće je obnoviti filter za mast pritiskom na **T1+T2** i obnoviti filter mirisa pritiskom na **T1+T3** Na kraju obnavljanja, kombinacije tipki brzo će bljeskati dvaput. Sučelje će sada funkcionirati kao i obično.

Oprez:

Tijekom 10" napa će raditi normalno, ali na tipkama za brzinu neće biti vizualnih povratnih informacija. Ako tijekom 10" nije izvedena nijedna radnja, LED diode prestaju pulsirati i vizualne povratne informacije se vraćaju u normalu.

ODRŽAVANJE

Čišćenje

Za čišćenje koristiti isključivo ovlaženu krpu s neutralnim deterdžentima u tekućem stanju. Ne koristiti alate ili pomagala za čišćenje.

Izbjegavajte uporabu proizvoda koji bi mogli grebati. **NE KORISTITE ALKOHOL!**

Perimetralna ploča za usis

Očistite perimetralnu ploču za usis onoliko često koliko često čistite i filter za uklanjanje masnoće, koristite pri tome krpu i tekući deterdžent koji nije previše koncentriran. Nikada ne koristite abrazivne tvari.

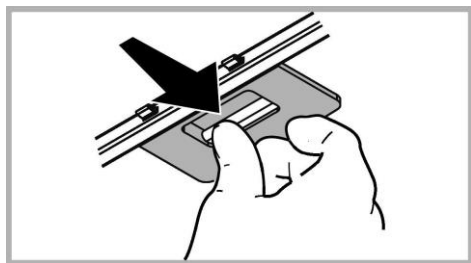
Održavanje filtra za masnoću

Zadržava čestice masnoće koje se stvaraju prilikom kuhanja.

Taj filter morate čistiti jednom mjesečno, upotrijebivši neagresivne deterdžente, bilo ručno ili u stroju za pranje posuda, u kojem slučaju morate izabrati program pranja s kratkim ciklusom i na niskoj temperaturi.

Ako ga perete u stroju za posude, možda ćete opaziti manju promjenu ili gubitak boje, što ni u kom slučaju ne utječe na učinkovitost filtra.

Da biste skinuli filter za uklanjanje masnoće povucite ručicu na opruge koja se otkvači.



Održavanje filtra od aktivnog ugljena

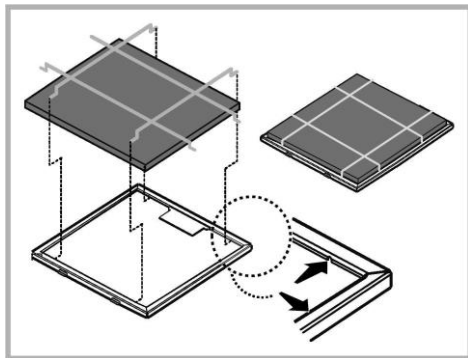
Zadržava neugodne mirise koji se stvaraju prilikom kuhanja.

Filter s jastučićem (dostavlja se s proizvodom).

Karbonski filter možete oprati svaka dva mjeseca (ili kada sustav koji pokazuje da je došlo do zasićenja filtra – ukoliko model koji imate- vam prikazuje takvu potrebu) u toploj vodi i s prikladnim deterdžentima ili u peritici za posude na 65°C (u slučaju da upotrebljavate perilicu posuda uključite kompletan ciklus pranja bez drugog posuda unutra).

Ocijedite vodu, i pritom pazite da ne oštetite filter, na to ga stavite u pećnicu na 100°C za 10 minuta, da se potpuno osuši. Spužvu mijenjajte svake 3 godine, odnosno ako opazite da je materijal oštećen.

Filter s jastučićem može se zamijeniti kružnim ugljenkim filtrom.



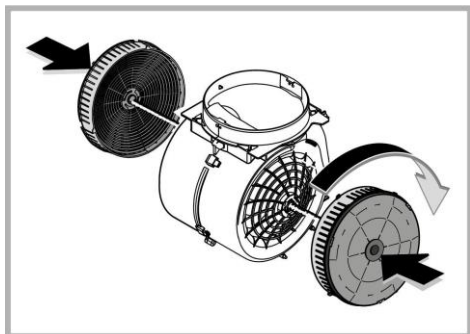
Kružni karbonski filter

Postavite po jedan sa svake strane na način da pokrije obje zaštitne rešetke pokretača motora pa onda okrećite u smjeru kazaljki na satu.

Što se tiče razmontaže okrećite u smjeru suprotnom od smjera kazaljki na satu.

Zasićenje filtera za ugljen pojavljuje se poslije manje-više produljene uporabe s obzirom na tip kuhinje i na urednost u čišćenju filtera za uklanjanje masnoće. U svakom slučaju je potrebno zamijeniti kasetu barem svaka četiri mjeseca.

Filter za ugljen se NE može ni oprati ni regenerirati.



Zamjena žarulja

Kuhinjska napa je opremljena sustavom rasvjete koji se bazira na tehnologiji INDIKACIONIH SVJETALA.


INDIKACIONA SVJETLA garantiraju optimalnu rasvjetu te trajnost 10 puta veću od tradicionalnih lampi a omogućuju i uštedu od 90% električne energije.

Korisnik ne može zamijeniti sustav rasvjete, u slučaju kvara obratite se službi za prodaju.

ODLAGANJE OTPADA

Ovaj aparat je označen u skladu s Europskim pravilima 2012/19/EC - UK SI 2013 No.3113, Waste Electrical and Electronic Equipment (WEEE). Provjerite jeste li odveli na otpad ovaj proizvod u skladu s lokalnim pravilima, korisnik doprinosi sprečavanju i uklanjanju eventualnih negativnih posljedica za okolinu i za zdravlje.



Ovaj simbol  na proizvodu ili na dokumentaciji koja ga prati ukazuje da se ovaj proizvod ne smije tretirati kao ostali kuhinjski otpad nego treba biti odveden u odgovarajući sabirni centar gdje se zbrinjavaju električni i elektronski uređaji. Zbrinite takve uređaje tako da se pridržavate lokalnih pravila za uklanjanje otpadaka. Za dobivanje daljnjih informacija o zbrinjavanju ovakvih aparata, obratite se lokalnim uredima, sabirnim mjestima za sakupljanje otpada ili trgovini u kojoj ste kupili ovaj proizvod.

Aparati dizajnirani, testirani i proizvedeni u skladu sa:

- Sigurnosnim propisima: EN/IEC 60335-1; EN/IEC 60335-2-31, EN/IEC 62233.
- Propisima o performansama: EN/IEC 61591; ISO 5167-1; ISO 5167-3; ISO 5168; EN/IEC 60704-1; EN/IEC 60704-2-13; EN/IEC 60704-3; ISO 3741; EN 50564; IEC 62301.
- EMC: EN 55014-1; CISPR 14-1; EN 55014-2; CISPR 14-2; EN/IEC 61000-3-2; EN/IEC 61000-3-3.

Savjeti za ispravnu uporabu u cilju smanjenja utjecaja na okoliš: Uključite kuhinjsku napu na minimalnu brzinu kada počnete s kuhanjem i držite je uključenom još nekoliko minuta nakon završenog kuhanja. Povećajte brzinu samo u slučaju velike količine dima i pare i koristite pojačanu brzinu (e) samo u ekstremnim situacijama. Zamijenite filtere od ugljena samo kada je to potrebno kako biste održali učinkovitu redukciju neugodnih mirisa. Očistite filtere za odstranjivanje masnoće kada je to potrebno za održavanje dobre učinkovitosti tih istih filtera. Koristite maksimalni promjer sustava dimovoda navedenog u ovom priručniku da biste optimizirali učinkovitost i smanjili buku.



GREŠKE U RADU

Ukoliko se čini da nešto ne radi kako treba, prije no što nazovete Službu za korisnike, izvršite sljedeće jednostavne provjere:

- Ako napa ne radi:
Provjerite je li:
 - došlo do nestanka struje
 - odabrana jedna od brzina
- Ako napa ima slab učinak:
Provjerite je li:
 - Odabrana brzina motora dovoljna za količinu ispuštenih para i dima.
 - Kuhinja dovoljno prozračena kako bi omogućila usis zraka.
 - Ugljeni filter istrošen (napa u verziji s filterima).
- Ako se je napa isključila tijekom normalnog rada:
Provjerite je li:
 - došlo do nestanka struje.
 - omnipolarni prekidač iskočio.

U slučaju bilo kakvog kvara, prije kontaktiranja odjela službe za korisnike, isključite uređaj za napajanje na najmanje 5 sekundi, tako da izvučete utikač, a zatim ga ponovno umetnete. U slučaju da se kvar i dalje nastavi, obratite se odjelu službe za korisnike.

TEHNIČKI PODACI

Visina (cm)	Širina (cm)	Dubina (cm)	Ø ispusne cijevi (cm)
 71-104,5  79,5-104,5	59,8 - 79,8	32,6	15

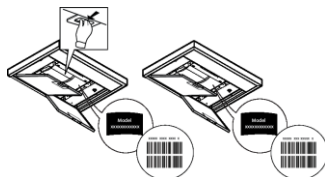


Djelovi nisu dostavljeni zajedno s proizvodom



Za **preuzimanje sigurnosnih uputa, korisničkog priručnika, tehničkog lista i energetske podataka:**

- Posjetite web stranicu docs.whirlpool.eu
- Koristite QR kod
- Ili **kontaktirajte servisnu službu** (na telefonski broj naveden na jamstvenom listu). Prilikom kontaktiranja servisne službe, navedite kodove prisutne na pločici sa serijskim brojem proizvoda.



SPLOŠNA VARNOST

- Pred vsakršnim čiščenjem ali vzdrževanjem izključite električno napajanje nape, tako da vtič izvlečete iz vtičnice ali izklopite glavno stikalo.
 - Pri vseh postopkih namestitve in vzdrževanja uporabljajte delovne rokavice.
 - Aparata naj ne uporabljajo otroci, mlajši od 8 let, in osebe z zmanjšanimi fizičnimi, senzoričnimi ali umskimi zmožnostmi oziroma s premalo izkušnjami in znanja, razen če jih pri tem nadzoruje pristojna oseba ali so bili poučeni o varni uporabi aparata in se zavedajo s tem povezanih nevarnosti.
 - Otroke je treba imeti pod nadzorom, da se ne bi igrali z napravo.
 - Otroci naj aparata ne čistijo in naj na njem ne izvajajo vzdrževalnih del brez nadzora.
 - Ko se kuhinjsko napo uporablja istočasno z drugimi napravami, ki delujejo na plin ali na druga goriva, mora biti prostor dovolj prezračen.
 - Napo pogosto čistite tako zunaj kot znotraj (VSAJ ENKRAT MESEČNO), v vsakem primeru upoštevajte, kar izrecno narekujejo navodila za vzdrževanje v tem priročniku.
 - Neupoštevanje pravil za čiščenje nape in zamenjavo ter čiščenje filtrov predstavlja tveganje za požar.
 - Pod napo je strogo prepovedana priprava flambiranih jedi.
 - Pri menjavi uporabite le tip žarnice, ki je naveden v poglavju o vzdrževanju/zamenjavi žarnice v teh navodilih.
- Odpri ogenj je škodljiv za filtre in lahko povzroči požar, zato je uporaba slednjega v vsakem primeru prepovedana.
- Cvrtje zahteva stalen nadzor, da se pregreto olje ne bi vnelo.
- POZOR:** Med delovanjem kuhalne plošče se dostopni deli nape lahko močno segrejejo.
- Naprave ne priključujte na električno omrežje, dokler inštalacija ni v celoti zaključena.
 - Kar zadeva tehnične in varnostne ukrepe za odvod dimov, morate strogo upoštevati določbe pristojnih krajevnih organov.
 - Vsesani zrak se ne sme usmerjati v cevovod, ki služi kot odvod za pline, katere proizvajajo naprave, ki delujejo na plin ali druga goriva.
- ▲ **POZOR!** Če pri montaži vijakov in pritrdilnih elementov ne upoštevate teh navodil, obstaja nevarnost električnega udara.
- Nape ne uporabljajte oziroma je ne puščajte z nepravilno nameščenimi žarnicami, saj obstaja tveganje električnega udara.
 - Nape nikoli ne uporabljajte, če rešetka ni pravilno nameščena!
 - Nape NIKOLI ne uporabljajte kot odlagalne površine, razen če je to izrecno dovoljeno.
 - Za nameščanje izdelka uporabite le priložene pritrdilne vijake. Če jih ni na voljo, pa kupite pravo vrsto vijakov. Uporabite vijake prave dolžine, ki so navedeni v navodilih za namestitev.
 - V primeru dvomov se posvetujte s pooblaščenim servisnim centrom ali s podobno usposobljeno osebo.

▲ POZOR! Ne uporabljajte s programatorjem, časovnikom, daljinskim upravljalnikom ali drugimi napravami, ki se samodejno aktivirajo.

Otroci, mlajši od 3 let, ne smejo biti v bližini aparata. Brez stalnega nadzora odrasle osebe napravo hranite izven dosega otrok, mlajših od 8 let.

▲ POZOR: aparat ni namenjena za upravljanje z zunanjo napravo ali ločenim sistemom za daljinsko upravljanje.

▲ Ta aparat ni namenjen za profesionalno uporabo. Aparata ne uporabljajte na prostem.

▲ Da bi se izognili nevarnosti telesnih poškodb, morata aparat premikati in nameščati dve ali več oseb.

▲ Montaža zajema tudi priklop morebitnih vodovodnih priključkov (če so predvideni), električno povezavo in posege popravil mora opraviti usposobljeno osebo.

Po opravljeni montaži shranite embalažni material (plastične dele, stiropor itd.) izven dosega otrokom, da se izognete tveganju zadržitve.

Aparata ne uporabljajte, če ste mokri ali bos.

Aparata nikoli ne uporabljajte za čiščenje s paro - tveganje električnega udara.

Embalažni material je mogoče 100% reciklirati in je označen s simbolom recikliranja



Napa se lahko po izgledu razlikuje od slik iz te knjižice, navodila za uporabo, vzdrževanje in namestitve pa so enaka.

Strogo se držite navodil iz tega priročnika. Zavračamo vsakršno odgovornost za morebitne nepravilne, škodo ali požare na napravi, ki bi izvirali iz neupoštevanja navodil iz tega priročnika. Napa je zasnovana za odsesovanje dimnih plinov in pare, ki nastajajo pri kuhanju in je namenjena izključno za domačo uporabo.

- Priročnik hranite v kraju, kjer si ga je mogoče kadarkoli pogledati. Če napravo prodate, odstopite ali premestite naj priročnik ostane vedno ob izdelku.
- Pozorno preberite navodila: saj navajajo pomembne informacije o namestitvi, uporabi in varnosti.
- Napravi ne spreminjajte električnih ali mehanskih lastnosti, ne posegajte v izpušne odvode.
- Pred namestitvijo naprave se prepričajte, da so vsi njeni sestavni deli nepoškodovani. Če ne bi bilo tako, pokličite pooblaščenega prodajalca in naprave ne nameščajte.

• Minimalna razdalja med podporno površino posod na kuhalni površini in spodnjim delom nape za kuhinjske prostore ne sme biti manjša od 45cm pri električnih štedilnikih in 65cm pri plinskih ali mešanih štedilnikih.

Če je v navodilih za instalacijo plinskega kuhalnika napisana večja razdalja, jo je treba tudi upoštevati.

ELEKTRIČNA POVEZAVA

Omrežna napetost mora ustrezati napetosti, navedeni na nalepki z lastnostmi, nameščeni v notranjosti nape. Če ima napa vtič, slednjega vstavite v vtičnico, ki je skladna z veljavnimi predpisi in se nahaja na takem mestu, ki bo dostopno tudi po vgradnji naprave. Če napa nima vtiča (neposredna povezava na omrežje) ali se vtič nahaja na takem mestu, ki po vgradnji naprave ne bi bilo dostopno, namestite dvopolno stikalo, skladno s predpisi, ki zagotavlja popoln izklop iz omrežja v pogojih prenapetostnega razreda III, skladno s predpisi o inštalaciji.


▲ POZOR! Pred ponovnim priklopom tokokroga nape na omrežno napajanje in kontrolo pravilnega delovanja, vselej preverite, ali je omrežni kabel pravilno nameščen.

Če kabel ni opremljen z vtičem, vodnike povežite skladno z naslednjo tabelo:

Omrežna napetost in frekvenca

Glejte vrednost, ki je navedena na etiketi z lastnostmi na notranji strani nape.

Povezava vodnikov

 : rumeno/zelen
N: moder
L: rjav

Zamenjava napajalnega kabla

Napa ima poseben napajalni kabel. V primeru poškodb kabla lahko novega naročite pri servisni službi.

PRAZNJENJE ZRAKA

(za odzračevalne različice)

Povežite napa s cevmi in odprtini z vodoravnim odtokom enakega premera kot je premer izhoda za zrak (spojna prirobnica).

Uporaba cevi in odprtin z vodoravnim odtokom, ki imajo manjši premer, bo vplivala na zmanjšanje učinkov sesanja in močno povečala hrupnost.

Zato za tako delovanje odklanjamo vsakršno odgovornost.

- ! Cevovod naj bo dolg toliko, kolikor znaša najmanjša nujna dolžina.
- ! Cevovod naj ima čim manj krivin (največji kot upogiba: 90°).
- ! Izogibajte se izrazitim spremembam smeri cevovoda.
- ! Podjetje zavrača vsakršno odgovornost za posledice, ki bi izvirale iz neupoštevanja določil.

FILTRIRNA ALI ODZRAČEVALNA NAPRAVA?

! Vaša napa je namenjena za uporabo v odzračevalni različici.

Za uporabo nape v obtočni različici je treba vgraditi ustrezno DODATNO OPREMO.

Na začetnih straneh tega priročnika preverite, ali je dodatna oprema že priložena oziroma ali jo je treba kupiti posebej.

Opomba: V primeru, da je oprema priložena, je v nekaterih primerih dodatni filtrirni sistem na osnovi aktivnega oglja lahko že nameščen na napi.

Informacije glede predelave odzračevalne različice nape v obtočno različico so že zajete v tem priročniku.

Odzračevalna različica

Hlapi so usmerjeni navzven po odvodni cevi, ki je pritrjena na priključno prirobnico.

POZOR!

Odvodna cev ni priložena napi in jo je potrebno kupiti ločeno.

Premer odvodne cevi mora biti enak premeru spojnega obročka.

POZOR!

Če je napa opremljena z ogljenimi filtri, je slednje potrebno odstraniti.

Obtočna različica

Iz vsesanega zraka so pred ponovnim vnosom v prostor odstranjeni maščoba in neprijetne vonjave. Pri uporabi nape v tej izvedbi je potrebno namestiti dodatni filter na osnovi aktivnega oglja.

STIKALA

Napa je opremljena s komandno ploščo z nastavitvijo hitrosti izsesavanja in nastavitvijo jakosti svetlobe za osvetljevanje kuhalne plošče.



Prva hitrost (T1)

Pritisnite **T1**, da aktivirate prvo hitrost. Ko je funkcija aktivirana, bo LED svetilka fiksno svetila. Ponovno pritisnite **T1**, da izklopite napa.

Druga hitrost (T2)

Pritisnite **T2**, da aktivirate drugo hitrost. Ko je funkcija aktivirana, bo LED svetilka fiksno svetila. Ponovno pritisnite **T2**, da napa izklopite.

Tretja hitrost in OJAČEVALNIK (T3)

Ko je napa izključena ali je aktivna prva ali druga hitrost, se lahko s pritiskom na tipko **T3** vklopi tretja hitrost in LED bo fiksno svetil. Še ponovno pritisnite na **T3** se bo ojačevalnik vklopil. Ojačevalnik je mogoče vklopiti šele takrat, ko je že aktivirana tretja hitrost. Ko je ojačevalnik vklopljen, bo LED **T3** začel utripati. Medtem ko ojačevalnik deluje, lahko s pritiskom na hitrostno tipko **T1** ali **T2** preklopite na prvo ali drugo hitrost, takrat se bo ojačevalnik izklopil in se bo aktivirala izbrana hitrost.

Ko je ojačevalnik vključen, ponovno pritisnite **T3**, da izklopite napa.

Po 5' se ojačevalnik samodejno izklopi in se tretja hitrost samodejno aktivira.

Časovnik (T4)

Časovnik lahko aktivirate, ko je aktivna prva ali druga ali tretja hitrost. Ko je funkcija aktivirana, utripata tako indikator LED časovnika (**T4**) kot prej izbran hitrostni LED (**T1 / T2 / T3**), oba bosta fiksno svetila.

Časovnik traja glede na izbrano hitrost:

Prva hitrost **T1 = trajanje 20'**

Druga hitrost **T2 = trajanje 15'**

Tretja hitrost: **T3 = trajanje 10'**

Časovnika ni mogoče aktivirati, ko je ojačevalnik aktiven. Po koncu časa se pokrov izklopi. Ko je določena hitrost, lahko s pritiskom na zeleno hitrostno tipko preklopite na druge hitrosti, v tem primeru se časovnik izklopi.

Ko je določena hitrost pod časovnikom, lahko izklopite časovnik s pritiskom na **T4** ali na eno od drugih dveh neaktivnih hitrosti. Če želite izklopiti napa, pritisnite hitrost, na katero je bil časovnik priključen.

Svetilka (T5)

Svetilko lahko kadar koli vklopite s pritiskom na tipko T5. Ko je funkcija aktivirana, bo LED svetilka fiksno svetila.

Nastavitev filtra

Aktiviranje ali izključitev indikatorjev filtra se lahko izvede samo takrat, ko je napa izključena.

Za dostop do konfiguracijskega menija, za dalj časa pritisnite **T2+T3**, ko bo v meniju **T1** začel utripati.

Privzeto je sledeče:

– Indikator **filtra maščob (T2)** vklopljen, torej aktiven;

– **filter za vonj indikator (T3)** je izklopljen, torej ni aktiven.

T2 vklopi/izključi indikator filtra za maščobe. **T3** vklopi/izklopi indikator filtra za vonj. Za izhod iz menija, dolgo pritisnite **T1** ali počakajte 10''

Ponastavitev filtra

Napa v rednih presledkih signalizira, da je treba filtre servisirati:

– maščobni filter vsakih **40 ur**;

– filter za vonj vsakih **160 ur**.

V tem primeru, ko je izklopljena napa in ko se uporabnik dotakne katere koli tipke, bo vmesnik za **10''** signaliziral dve vrsti potreb:

– če **T1+T2** utripata: **Servisiranje filtra za maščobe**;

– če **T1+T3** utripata: **servisiranje filtra za vonj.**

Med 10" lahko filter za maščobe ponovno zaženete s pritiskom na **T1+T2** tako kot filter za vonj s pritiskom na **T1+T3** Po zaključeni ponastavitvi kombinacije tipki bosta na hitro dvakrat utripali. Vmesnik bo zdaj deloval kot običajno.

Pozor:

Med 10 sekundami bo napa delovala normalno, vendar na hitrostnih tipkah ne bo vidnih povratnih informacij. Če med 10 'sekundami ne bo nobene spremembe, LED diode prenehajo utripati in vizualne povratne informacije se bodo vrstile v normalno stanje.

VZDRŽEVANJE

Čiščenje

Za čiščenje uporabljajte **IZKLJUČNO** vlažno krpo, navlaženo z nevtralnimi detergenti. **ZA ČIŠČENJE NE UPORABLJAJTE NOBENIH ORODIJ ALI INSTRUMENTOV.** Ne uporabljajte izdelkov, ki vsebujejo abrazivne elemente. **NE UPORABLJAJTE ALKOHOLA !**

Perimetralna sesalna plošča

Perimetralno sesalno ploščo očistite v istih časovnih presledkih maščobnega filtra, pri tem uporabljajte krpo in razredčen tekoči detergent. Uporaba abrazivnih snovi je prepovedana

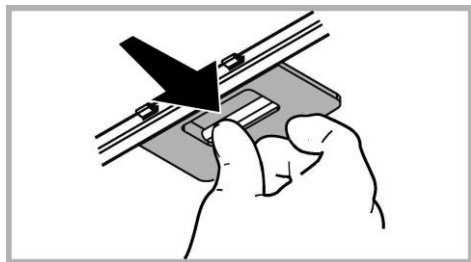
Vzdrževanje maščobnih filtrov

Zaustavlja maščobne delce, ki nastajajo pri kuhanju.

Očistiti ga je treba enkrat mesečno z ne agresivnimi čistilnimi sredstvi, ročno ali v pomivalnem stroju pri nizki temperaturi in kratkim ciklom pranja.

S pranjem v pomivalnem stroju se maščobni filter lahko razbarva, toda njegove filtrirne značilnosti ostanejo nespremenjene.

Za demontažo maščobnega filtra povlecite odklopno ročico na vzmet.



Vzdrževanje ogleneha filtra

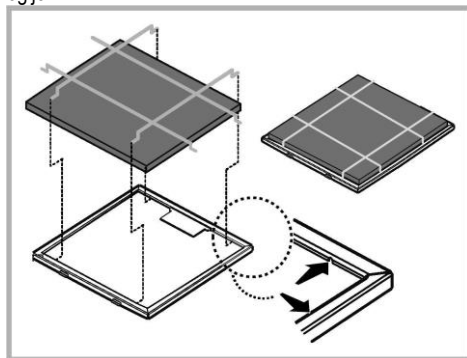
Zadržuje neprijetne vonjave, ki nastajajo pri kuhanju.

Tračni filter (priložen izdelku).

Ogleni filter se lahko opere vsake dva meseca (ali takrat, ko sistem, ki zaznava zasičenost filtrov – če je na modelu, ki je v vaši lasti, predviden – opozori na to potrebo), v topli vodi in z ustreznimi detergenti oziroma v pomivalnem stroju pri 65°C (v primeru pranja v pomivalnem stroju izvedite popolni cikel brez posode v stroju).

Odstranite odvečno vodo, ne da bi pri tem poškodovali filter, nato pa filter postavite za deset minut v pečico, segreto na 100°C, da se povsem posuši. Blazino filtra zamenjajte vsaka tri leta, ali ko se tkanina poškoduje.

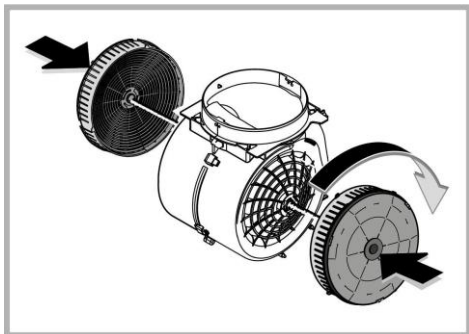
Tračni filter se lahko zamenja s krožnim filtrom na aktivno oglje.



Krožni ogljeni filter

Na vsako stran namestite po en ogljeni filter, tako da prekrijeta obe zaščitni rešetki rotorja motorja, nato pa ročaj obrnite v smeri urinega kazalca.

Za demontažo obrnite ročaj v nasprotni smeri urinega kazalca. Ogljeni filter je potrebno zamenjati po daljši uporabi, glede na tip kuhe ter redno čiščenje maščobnega filtra. Vsekakor je potrebno zamenjati vložek najmanj vsake štiri mesece. Filter ni niti pralen niti obnovljiv.



Zamenjava žarnic


Napa ima sistem osvetlitve, ki temelji na LED tehnologiji. LED lučke zagotavljajo optimalno osvetlitev in do 10-krat daljšo življenjsko dobo v primerjavi s klasičnimi žarnicami ter 90% prihranek električne energije.

Sistema razsvetljave uporabnik ne more zamenjati. V primeru nepravilnega delovanja se obrnite na servisno službo.

ODLAGANJE

Ta naprava je označena skladno z Evropsko direktivo 2012/19/EC - UK SI 2013 No.3113, Waste Electrical and Electronic Equipment (WEEE oziroma direktivo o odpadni električni in elektronski opremi). S pravilnim odlaganjem tega izdelka uporabnik prispeva k preprečevanju morebitnih negativnih posledic na okolje in zdravje.



Znak  na izdelku ali na priloženi dokumentaciji označuje, da se ga ne sme zavreči med komunalne odpadke, temveč odnesti na ustrezno zbirno mesto za recikliranje odpadne električne in elektronske opreme. Napravo zavrzite skladno z lokalnimi predpisi, ki veljajo na področju odlaganja odpadkov. Za dodatne informacije o ravnanju, ponovni uporabi in recikliranju tega izdelka se obrnite na ustrezno lokalno službo, zbirni center komunalnih odpadkov ali trgovino, kjer ste izdelek kupili.

Aparat je bil zasnovan, testiran in izdelan v skladu z:

- Varnost: EN/IEC 60335-1; EN/IEC 60335-2-31, EN/IEC 62233.
- Rezultati: EN/IEC 61591; ISO 5167-1; ISO 5167-3; ISO 5168; EN/IEC 60704-1; EN/IEC 60704-2-13; EN/IEC 60704-3; ISO 3741; EN 50564; IEC 62301.
- EMC: EN 55014-1; CISPR 14-1; EN 55014-2; CISPR 14-2; EN/IEC 61000-3-2; EN/IEC 61000-3-3.

Predlogi za pravilno uporabo, s katero lahko zmanjšate vpliv na okolje: Napo prižgite na minimalni moči ON ob začetku kuhanja, in jo pustite, naj deluje tudi nekaj minut po koncu kuhanja. Hitrost povečajte le takrat, ko je prisotno veliko dimov in pare, način(e) boost uporabite le v izjemnih situacijah. Ogleni(e) filter(re) po potrebi zamenjajte, ter tako ohranite učinkovitost pri odpravljanju neprijetnih vonjav. Maščobni(e) filter(re) očistite po potrebi, ter tako ohranite njegovo (njihovo) učinkovitost. Uporabite sistem cevi maksimalnih diametrov, naveden v tem priročniku, ter tako optimizirajte učinkovitost in zmanjšajte hrup.



MOTNJE PRI DELOVANJU

Če se vam zdi, da določen element ne deluje, opravite najprej naslednje kontrole, preden pokličete na pomoč servisno službo:

- Če napa ne deluje:
Preverite, da:
 - ni prekinjeno električno napajanje.
 - je izbrana zelena hitrost.
- Če napa neučinkovito deluje:
Preverite, da:
 - izbrana hitrost motorja zadostuje za prisotno količino dima in pare;
 - je kuhinjski prostor dovolj prezračen in omogoča zadostno količino dovajanega zraka.
 - ogljeni filter ni obrabljen (obtočna različica nape).
- Če se je napa med običajnim delovanjem zaustavila:
Preverite, da:
 - ni prekinjeno električno napajanje.
 - enopolno izklopno stikalo ni sproženo.

V primeru nepravilnega delovanja, še preden stopite v stik s servisno službo, najprej za vsaj 5 sek. izključite napravo iz električnega omrežja, tako da kabel izvlečete iz vtičnice in ga nato ponovno priključite. V primeru, da se nepravilno delovanje ni odpravljeno, se obrnite na servisno službo.

TEHNIČNI PODATKI

Višina (cm)	Širina (cm)	Globina (cm)	Ø cevi odzračevanja (cm)
 71-104,5	59,8 - 79,8	32,6	15
 79,5-104,5			

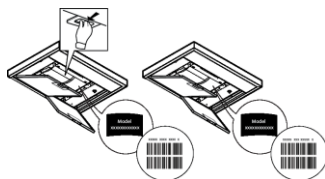


Komponente niso priložene izdelku



Prenesite si varnostna navodila, priročnik za uporabo, tehnični list in energijske podatke:

- Obiščite spletno stran docs.whirlpool.eu
- Uporabite kodo QR
- Ali, **kontaktirajte servisno službo** (telefonska številka je navedena na garancijski knjižici). Ob stiku s servisno službo navedite kode, ki so prisotne na identifikacijski tablici izdelka.



OPŠTA SIGURNOST

- Pre nego što započnete proces održavanja i čišćenja, odvojite aspirator od električnog napajanja, isključite ga iz struje i izvucite kabl iz utičnice ili ugasite glavni prekidač u kuć.
- Uvek nosite radne rukavice za sve operacije instalacije i održavanja.
- Ovaj aparat mogu da koriste deca, ali ne mlađa od 8 godina i osobe sa smanjenim fizičkim ili mentalnim sposobnostima ili sa nedostatkom iskustva i potrebnog znanja, ako se nalaze pod kontrolom ili nakon dobijanja uputstava za sigurno korišćenje aparata i razumevanja opasnosti do kojih može doći prilikom korišćenja.
- Deca moraju da budu pod kontrolom kako se ne bi igrala sa aparatom. Čišćenje i održavanje ne smeju da obavljaju deca bez kontrole.
- Prostorija mora da bude dovoljno prozračena kada se kuhinjski aspirator koristi zajedno sa ostalim aparatima na gas ili drugo sagorevanje.
- Aspirator mora redovno da se čisti iznutra i spolja (BAREM JEDANPUT MESEČNO). Takođe, neophodno je pridržavati se izričitih uputstava za održavanje.
- Nepridržavanje uputstava za čišćenje aspiratora i za promenu i čišćenje filtera može da izazove požar.

- Strogo je zabranjeno pripremati hranu na plamenu ispod aspiratora.
- Za zamenu sijalice, koristite samo tip sijalice naveden u poglavlju održavanje/zamena sijalice u ovom uputstvu.

Upotreba otvorenog plamena štetna je za filtere i može da izazove požar, zato ga treba u svakom slučaju izbegavati.

Prženje treba da se obavlja pod kontrolom kako bi se izbeglo da se pregrejano ulje zapali.

PAŽNJA: Kada je ploča za kuvanje u funkciji, dostupni delovi aspiratora mogu da postanu vrući.

- Ne spajajte aparat na električnu mrežu dok instalacija nije potpuno završena.
- Što se tiče tehničkih mera i mera sigurnosti koje moraju da se preduzmu prilikom ispuštanja pare, treba se strogo pridržavati odredbi i propisa lokalnih vlasti.
- Vazduh ne sme da bude prenošen kanalom za ispuštanje pare nastale od strane aparata na gas ili drugo sagorevanje.

▲ PAŽNJA! Neuspešna instalacija šrafa i zatvarača u skladu s ovim uputstvama, može da rezultira opasnostima električne prirode.

- Nemojte da koristite ili ostavljate aspirator bez pravilno montiranih sijalica zbog moguće opasnosti od strujnog udara.

• Nikada ne koristite aspirator bez pravilno montirane mreže!

- Aspirator se ne sme NIKADA koristiti kao površina za odlaganje, osim ako to nije izričito navedeno.

• Koristite samo šrafove za montažu isporučene sa proizvodom, ili, ako nisu isporučeni, kupite pravilnu vrstu šrafova. Koristite pravilnu dužinu za šrafe, navedenu u • Vodiču za instalaciju. Ako ste u nedoumici, obratite se ovlašćenom servisu ili sličnom

kvalifikovanom osoblju.

▲ PAŽNJA! Ne koristiti sa programatorom, tajmerom, odvojenim daljinskim upravljačem ili bilo kojim drugim uređajem koji se aktivira automatski.

Držite decu mlađu od 3 godine dalje od uređaja. Bez stalnog nadzora odrasle osobe, držite aparat van domašaja dece mlađe od 8 godina.

▲ PAŽNJA: uređaj nije predviđen za rad sa spoljnim kontrolnim uređajem ili posebnim sistemom daljinskog upravljanja.

▲ Ovaj uređaj nije namenjen za profesionalnu upotrebu. Nemojte koristiti uređaj na otvorenom.

▲ Da bi se izbegao rizik od povreda, uređaj moraju da pomeraju i instaliraju najmanje dve ili više osoba.

▲ Instalaciju, uključujući sve priključke za dovod vode (ako postoje) i električne priključke, kao i popravke, mora vršiti kvalifikovano osoblje.

Na kraju instalacije, držite materijal za pakovanje (plastični delovi, stiropor itd.) van domašaja dece kako bi se izbegao rizik od gušenja. .

Nemojte koristiti aparat kada ste mokri ili bosii.

Nikada nemojte koristiti pame čistače - opasnost od strujnog udara.



Materijal za pakovanje se može 100% reciklirati i označen je simbolom za recikliranje

Aspirator može imati drugačiji estetski izgled u odnosu na ono što se prikazuje na slikama u ovom priručniku, u svakom slučaju uputstva o upotrebi, održavanju i instalaciji ostaju nepromenjena.

Strogo se pridržavajte objašnjenja koje donosi ovaj priručnik. Ograđujemo se od bilo kakve odgovornosti za eventualne nepravilnosti, štetu ili požar izazvan na aparatu koji proizlazi zbog nepoštovanja uputstava napisanih u ovom priručniku. Aspirator je projektovan da bi usisao paru i dim koji se stvaraju prilikom kuvanja i namenjen je za isključivo kućnu upotrebu.

- Važno je da sačuvate ovaj priručnik, da bi mogli u slučaju potrebe da se konsultujete. U slučaju da prodate, poklonite ili premetite ovaj proizvod uverite se da je priručnik uvek zajedno sa proizvodom.
- Pažljivo pročitajte uputstva: ona pružaju važne informacije o instalaciji, upotrebi i o sigurnosti.
- Ne vršite nikakve promene bilo mehaničke bilo električne prirode na proizvodu ili na cevima za izbacivanje.
- Pre nego što počnete sa instalacijom aparata uverite se da nijedna komponenta nije oštećena. U suprotnom kontaktirajte proizvođača i nemojte nastaviti sa instalacijom.

• Minimalna udaljenost između površine koja služi da se postave posude na uređaj za kuvanje i najnižeg dela aspiratora ne sme da bude manja od 45cm u slučaju da se radi o električnim kuhinjama i 65cm u slučaju da se radi o kuhinjama na gas ili mešovitim kuhinjama.

Ukoliko uputstva za instalaciju uređaja za kuvanje na gas nalažu veću udaljenost, morate da se pridržavate tih uputstava.

ELEKTRIČNO POVEZIVANJE

Napon mreže treba da odgovara naponu koji je naveden na etiketi karakteristika koja se nalazi u unutrašnjosti aspiratora. Ukoliko postoji utikač povežite aspirator sa utičnicom koja je u skladu sa propisima na snazi i koja je postavljena na pristupačnom mestu čak i posle instalacije.

Ukoliko je aspirator bez utikača, (direktno povezivanje na mrežu) ili utičnica nije postavljena na pristupačnom mestu, čak i posle instalacije postavite dvopolni utikač koji obezbeđuje kompletno isključenje sa mreže u uslovima kategorije previsokog napona i u

skladu sa pravilima o instalaciji.

▲ UPOZORENJE! Pre nego što ponovo povežete aspirator sa električnom mrežom i proverite da li pravirno radi, proverite da li je kabl mreže montiran na pravilan način.

Ako kabl nema utikač, spojite žice prema sledećoj tabeli:

Mrežni napon i frekvencija

Pogledajte vrednosti navedene na nalepnici karakteristika u unutrašnjosti aspiratora.

Priključivanje žica



: zeleno/žuta

N : plava

L : braon

Zamena kabla za napajanje

Aspirator je opremljen specijalnim kablom za napajanje; u slučaju da dođe do oštećenja kabla, zatražite ga od servisne službe.

ODVOD VAZDUHA

(za usisne verzije)

Povežite aspirator sa cevima i rupama za ispuštanje kroz zid prečnika koji je jednak izlazu za vazduh (spojna priрубnica).

Upotreba cevi i otvora za izbacivanje kroz zid sa manjim prečnikom dovodi do smanjivanja sposobnosti usisavanja i do drastičnog povećanja nivoa buke.

Odričemo se bilo kakve odgovornosti za posledice prouzrokovane gore opisanim situacijama.

! Koristite cev koja ima minimalnu potrebnu dužinu.

! Koristite cev koja ima što manji mogući nagib (maksimalni nagib: 90°).

! Izbegavajte drastične promene prečnika cevi.

! Firma otklanja sa sebe bilo koju odgovornost ukoliko se ovi procesi ne budu poštovali.

FILTRACIJSKA ILI USISNA ?

! Vaš je aspirator spreman za korišćenje u usisnoj verziji.

Da biste mogli koristiti aspirator u filtracijskoj verziji, morate instalirati DODATNU OPREMU.

Uverite se na prvim stranicama ovog priručnika da li je DODATNA OPREMA već priložena ili se mora napose kupiti.

Napomena: Ako je već priložena, u nekim slučajevima, dodatni sistem za filtraciju na bazi aktivnih karbona je već možda instaliran na aspiratoru.

Informacije o tome kako transformisati aspirator iz usisne verzije u filtracijsku verziju su već sadržane u ovom priručniku.

Usisna verzija

Para se izbacuje napolje uz pomoć cevi za izbacivanje koja je pričvršćena sa spojnom priрубnicom.

▲ UPOZORENJE!

Cev za izbacivanje nije priložena i trebalo bi da je kupite.

Prečnik cevi za izbacivanje treba da bude isti kao i prečnik spojnog prstena.

▲ UPOZORENJE!

Ako je aspirator opremljena ugljenim filterima, trebalo bi da ih uklonite.

Filtracijska verzija

Usisni vazduh se pročišćava od masnoća i oplemenjuje mirisom pre nego što se vrati u prostoriju. Da bi koristili aspirator na ovaj način potrebno je da postavite dodatni sistem za filtraciju na bazi aktivnih ugljena.

KOMANDE

Aspirator je opremljena komandnom tablom koja podešava brzinu usisavanja i kontrolise uključivanje svetala da bi se osvetlila površina za kuvanje.



Prva brzina (T1)

Pritisnite **T1** da biste aktivirali prvu brzinu. Kada se funkcija aktivira, LED lampica neprestano svetli. Ponovno pritisnite **T1** da isključite aspirator.

Druga brzina (T2)

Pritisnite **T2** da biste aktivirali drugu brzinu. Kada se funkcija aktivira, LED lampica neprestano svetli. Ponovno pritisnite **T2** da isključite aspirator.

Treća brzina i BOOSTER (povećanje snage) (T3)

Kad je aspirator isključen ili je aktivna prva ili druga brzina, treću brzinu možete aktivirati pritiskom na taster **T3** i LED svetli neprekidno.

Još jedan pritisak na **T3**, uključuje booster. Booster se može aktivirati samo ako je treća brzina već aktivna. Kad je booster uključen, LED **T3** počinje da pulsira. Dok booster radi, možete se prebaciti na prvu ili drugu brzinu pritiskom na željeni taster za brzinu **T1** ili **T2**, booster se isključuje i aktivira se odabrana brzina.

Kad je booster uključen, ponovo pritisnite **T3** da isključite aspirator.

Posle 5' booster se automatski isključuje i automatski se aktivira treća brzina.

Timer (merač vremena) (T4)

Merač vremena se može aktivirati kada je uključena prva ili druga ili treća brzina. Kad je funkcija aktivirana, LED lampica merača vremena (**T4**) i prethodno odabrane brzine (**T1/T2/T3**) svetle sa stalnim svetlom.

Merač vremena traje prema odabranoj brzini:

Prva brzina **T1** = trajanje 20'

Druga brzina **T2** = trajanje 15'

Treća brzina: **T3** = trajanje 10'.

Merač vremena se ne može aktivirati kada je booster aktivan. Po isteku vremena aspirator se isključuje. Kada jedna brzina ima postavljeno merenje vremena, možete preći na druge brzine pritiskom na željeni taster za brzinu, a to dovodi do isključivanja merača vremena.

Kad je brzina podešena, možete isključiti merač vremena pritiskom na **T4**, ili jednu od druge dve neaktivne brzine. Da biste isključili aspirator, pritisnite ponovo brzinu na koju ste ranije postavili merenje vremena.

Svetlo (T5)

Svetlo se može aktivirati u bilo kojem trenutku pritiskom na taster **T5**. Kada se funkcija aktivira, LED lampica neprestano svetli.

Podešavanje filtera

Aktiviranje ili deaktiviranje indikatora filtera može se izvršiti samo kada je aspirator isključen.

Za pristup meniju konfiguracije, dugo pritisnite tastere **T2+T3**, a kada uđete u meni **T1** počinje da treperi.

Zadano podešavanje je:

– filter za mast indikator (**T2**) uključen, dakle aktivan;

– filter mirisa indikator (**T3**) isključen, dakle nije aktivan.

T2 aktivira/deaktivira indikator filtera za mast. **T3** aktivira/deaktivira indikator filtera mirisa. Za izlaz iz menija dugo pritisnite **T1** ili sačekajte 10''

Obnavljanje filtera

aspirator u redovitim intervalima javlja da se filteri moraju servisirati:

– filter za mast svakih 40 sati;

– filter mirisa svakih 160 sati.

U ovom slučaju, kada je aspirator isključen, kada korisnik dodirne bilo koji taster, interfejs će signalizirati za 10" dve vrste potreba:

– ako **T1+T2** trepere: **održavanje filtera za mast;**

– ako **T1+T3** trepere: **održavanje filtera mirisa.**

U roku od 10" moguće je obnoviti filter za mast pritiskom na **T1+T2** i obnoviti filter mirisa pritiskom na **T1+T3**. Na kraju obnavljanja, kombinacije tastera će brzo treperiti dva puta. Interfejs će sada funkcionisati kao i obično.

Pažnja:

U roku od 10" aspirator će raditi normalno, ali na tasterima za brzinu neće biti vizuelnih povratnih informacija. Ako se u roku od 10" nije izvedena nijedna operacija, LED diode prestaju da trepere i vizuelne povratne informacije se vraćaju u normalu.

ODRŽAVANJE

Čišćenje

Za čišćenje koristite isključivo meku vlažnu krpu i tečne neutralne deterđente. Nemojte da koristite alate ili pomagala za čišćenje.

Izbegavajte upotrebu proizvoda koji grebu. **NE UPOTREBLJAVAJTE ALKOHOL!**

Perimetralni panel za aspiraciju

Očistite perimetralni panel za usisivanje toliko često koliko često čistite filter za uklanjanje masnoće, uz pomoć jedne krpe i tečnog deterđenta koji nema visoku koncentraciju. Ne upotrebljavajte proizvode koji grebu.

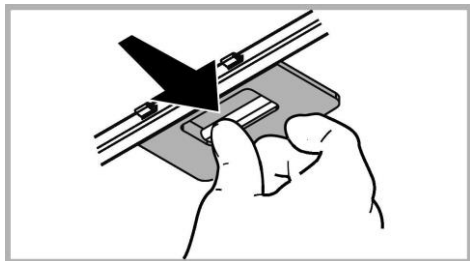
Održavanje filtera za uklanjanje masnoće

Zadržava masne čestice koje su posledica kuvanja.

Neophodno je očistiti jedan put mesečno sa neagresivnim deterđentima, ručno ili u mašini za pranje sudova na niskim temperaturama i uključujući kratak ciklus pranja.

Posle pranja u mašini za pranje sudova metalni filter za uklanjanje masnoće može da izgubi boju (može da deluje isprano) ali njegove filtracijske karakteristike se neće nimalo promeniti.

Ako želite da izvadite filter za uklanjanje masnoće povucite ručicu koja ima oprugu kako biste ga otkočili.



Održavanje karbonskog filtera

Zadržava neprijatne mirise koji su posledica kuvanja.

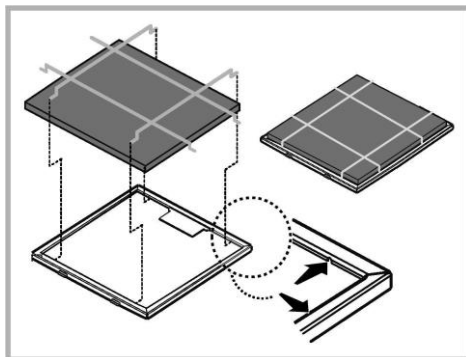
Filter s jastučićem (dostavlja se s proizvodom)

Karbonski filter može da se opere svako dva meseca (ili kada sistem za indikaciju da je filter napunjen- ukoliko ga predviđa model koji posedujete- predviđa tu potrebu) u toploj vodi i sa prikladnim deterđentima ili u mašini za pranje sudova na temperaturi od 65°C (u slučaju da se radi o pranju u mašini za pranje sudova uključite kompletan ciklus pranja bez drugih sudova u unutrašnjosti mašine).

Odstranite višak vode bez da oštetite filter, posle čega treba da ga stavite u pećnicu otprilike 10 minuta na 100°C da biste ga se definitivno osušili.

Zamenite madraščić svako 3 godine ili svaki put kada vidite da je materijal oštećen.

Filter s jastučićem može se zameniti kružnim ugljenkim filterom.



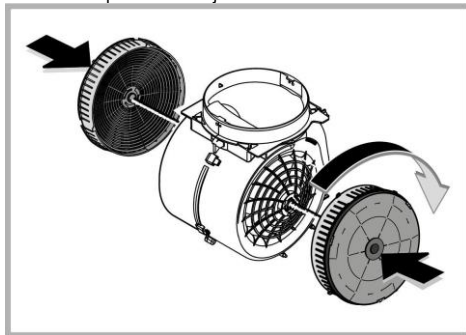
Kružni karbonski filter

Postavite jedan sa svake strane da bi pokrio obe zaštitne rešetke obrtajnog dela motora, posle čega pomerite u smeru kazaljki na satu.

Da biste razmontirali okrenite u smeru suprotnom od smeru kazaljki na satu.

Do zasićenja ugljenog filtera dolazi posle produžene upotrebe i zavisi od vrste kuhinje i od toga koliko često se prao filter za uklanjanje masnoće. U svakom slučaju je potrebno zameniti uložak svaka 4 meseca.

NE može se prati ili obnovljati.



Zamena lampa

Aspirator je opremljena sistemom rasvete koja se bazira na LED tehnologiji.


LED garantuje optimalnu rasvetu, trajanje 10 puta duže od tradicionalnih lampi i omogućuje uštedu električne energije za 90%.

Korisnik ne može da zameni sistem osvetljenja, u slučaju kvara kontaktirajte servisnu službu.

ODLAGANJE

Ovaj aparat je označen u skladu sa Evropskom Direktivom 2012/19/EC - UK SI 2013 No.3113, Waste Electrical and Electronic Equipment (WEEE). Proverite da li je ovaj proizvod odložen na pravilan način jer na taj način korisnik pomaže u sprečavanju eventualnih negativnih posledica za zdravlje i za okolinu.



Simbol  na proizvodu ili na propratnoj dokumentaciji ilustruje da se ovaj proizvod ne sme tretirati kao kućni otpad nego treba da se odloži na prikladnom sabirnom mestu za odbacivanje električnih i elektronskih aparata. Odložite ovaj otpad na način da se strogo pridržavate lokalnih pravilnika o odlaganju smeća. Za dobijanje detaljnijih informacija o tretmanu, odlaganju i ponovnom korišćenju ovog proizvoda, stupite u kontakt sa prikladnim lokalnim ustanovama, službom za sakupljanje kućnog otpada i/ili sa prodavnicom u kojoj ste kupili ovaj proizvod.

Aparati dizajnirani, testirani i proizvedeni u skladu sa:

- Безбедносним прописима: EN/IEC 60335-1; EN/IEC 60335-2-31, EN/IEC 62233.
- Прописима о перформансама: EN/IEC 61591; ISO 5167-1; ISO 5167-3; ISO 5168; EN/IEC 60704-1; EN/IEC 60704-2-13; EN/IEC 60704-3; ISO 3741; EN 50564; IEC 62301.
- EMC: EN 55014-1; CISPR 14-1; EN 55014-2; CISPR 14-2; EN/IEC 61000-3-2; EN/IEC 61000-3-3.

Предлози за правилно коришћење у циљу смањења утицаја на животну средину: Укључите аспиратор на минималну брзину када почнете са кувањем и држите га укљученим још неколико минута након завршеног кувања. Повећајте брзину само у случају велике количине дима и паре и користите појачану брзину (е) само у екстремним ситуацијама. Замените угља филтера(е) само када је то потребно да бисте одржали ефикасност смањења непријатних мириса. Очистите филтер (е) за уклањање масноће када је то потребно због одржавања добре ефикасности тог истог филтера. Користите максимални пречник цеви за одвод дима наведеног у овом приручнику да бисте оптимизовали ефикасност и смањили буку.



ANOMALIJE U RADU

Ako nešto ne bude funkcionisalo, pre nego što pozovete Servisnu Službu obavite sledeće jednostavne kontrole:

- Ako aspirator ne bude radio:
Proverite da li:
 - ima struje.
 - je izabrana brzina rada.
- Ako aspirator bude slabo radio:
Proverite da:
 - je izabrana brzina motora dovoljna za postojeću količinu dima i pare.
 - je kuhinja dovoljno provetrena da bi se omogućio usis vazduha.
 - karbonski filter nije istrošen (aspirator u filtracijskoj verziji).
- Ako se aspirator isključi tokom normalnog rada:
Proverite da li:
 - ima struje.
 - je višepolarni uređaj iskopčan.

U slučaju eventualnih problema u radu, pre nego što se obratite servisnoj službi, iskopčajte aparat u trajanju od barem 5 sekundi sa napajanja strujom na način iskopčate utikač pa ga onda ponovo ukopčate. U slučaju da se problem ni tako ne reši, obratite se servisnoj službi.

TEHNIČKI PODACI

Visina (cm)	Širina (cm)	Dubina(cm)	Ø izduvne cevi (cm)
 71-104,5	59,8 - 79,8	32,6	15
 79,5-104,5			

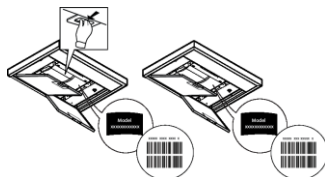


Komponente koje se ne prilažu sa proizvodom



Da biste preuzeli bezbednosna uputstva, uputstvo za upotrebu, tehnički list i podatke o energiji:

- Posetite sajt docs.whirlpool.eu
- Koristite QR kod
- Ili, **kontaktirajte službu za servisiranje** (na telefonski broj naveden u garancijskoj knjižici). Kada kontaktirate službu za servisiranje, navedite kodove na pločici sa serijskim brojem proizvoda.



ÜLDINE OHUTUSTEAVE

- Enne puhastamist või hooldamist lülitage kuhu elektrivõrgust välja, võtke juhe seinast või lülitage ruumi üldlüliti välja.
 - Puhastamise ja hoolduse ajal kasutage töökindaid.
 - Masinat tohivad kasutada lapsed alates 8. eluaastast ja füüsiliste, sensoorsete või mentaalsete häiretega inimesed või eelneva kogemuse ja teadmisteta isikud vaid järelevalve all või kui neid on õpetatud masinat ohutult kasutama ja nad mõistavad seotud ohtusid.
 - Lapsi peab valvama ja nad ei tohi masinaga mängida.
 - Järelevalveta lapsed ei tohi masinat puhastada ega hooldada.
 - Ruumis peab olema piisav ventilatsioon, kui kuhu kasutatakse koos teiste seadmetega, mis kasutavad gaasi või teisi süttivaid aineid.
 - Õhupuhastit tuleb korrapäraselt puhastada nii seest kui ka väljast (VÄHEMALT KORD KUUS), pidades seejuures kinni hooldusjuhendis esitatud täpsetest nõuetest.
 - Kui õhupuhasti puhastusnõudeid ja kohustust filtreid puhastada või vahetada eiratakse, tekib tulekahju oht.
 - Kuhu all ei tohi toidukasutamisel kasutada leeke.
 - Pirmi vahetamisel kasutage juhendi hooldus/varuosade osas kirjeldatud pirni tüüpi. Lahtise tule kasutamine kahjustab filtreid ja võib põhjustada tulekahju, seepärast tuleb selle kasutamist vältida.
- Praadimine peab olema kontrollitud tingimustes, et vältida kuuma õli süttimist.
- TÄHELEPANU:** Pliidi kasutamise ajal võivad kuhu välised osad muutuda tuliseks.
- Ärge ühendage elektrivõrku seadet enne täielikku paigaldamist.
 - Tehniliste ja ohutusmeetmete kasutamisel järgige alati kohalike võimude kehtestatud nõudeid.
 - Kuhu sissetõmmatud õhku ei tohi juhtida torusse, kuhu juhitakse ka gaasil või teistel kütustel töötavate seadmete suits.
- ▲ TÄHELEPANU!** Puudulik kruvide ja kinnitusseadmete paigaldamine, mis ei vasta juhistele, toob kaasa elektrilöögiohu.
- Ärge kasutage kuhu, kui pirnid ei ole nõuetekohaselt paigaldatud, elektrilöögioht.
 - Mitte kasutada kuhu ilma võreta!
 - Kuhu ei TOHI kunagi kasutada toetuspinnana, kui seda ei ole eraldi välja toodud.
 - Paigaldamisel kasutage kaasasolevaid kinnituskruvisid, kui neid ei ole kaasas, siis ostke õiget tüüpi kruvid. Kasutage kruvisid, mille pikkus vastab paigaldusjuhiste. Kahtluse korral pöörduge teeninduse või vajaliku väljaõppega inimese poole.
- ▲ TÄHELEPANU!** Ärge kasutage eraldi programmeerimiseadet, taimerit, kaugjuhtimispuhli või mis tahes muud automaatselt aktiveeruvat seadet.

⚠ TÄHELEPANU! Seade ei ole projekteeritud nii, et seda saaks sisse lülitada välise seadme või eraldiseisva kaugjuhtimissüsteemiga.

⚠ Seadme kasutamine ei eelda eriväljaõpet. Ärge kasutage seadet õues.

⚠ Vigastuste vältimiseks peaks seadet teisaldama ja paigaldama vähemalt kahekesi.

⚠ Seadme peaks paigaldama, sh looma vajaduse korral vee- (kui see on ettenähtud) ja elektriühenduse ning tegema parandustöid sobiva väljaõppega tehnik.

Kui seade on paigaldatud, hoidke pakkematerjali (plastkotid, vahtplast jne) lastele kättesaamatus kohas, sest need võivad kaasa tuua lämbumisohtu. .

Ärge kasutage seadet märgade kätega ega paljajalu.

Keelatud on kasutada seadet auruga puhastamiseks – elektrilöögioht.

Pakkematerjal on 100% taaskasutatav ja märgistatud taaskasutamise sümboliga



Õhupuhasti kujundus võib olla teistsugune kui selles brošüüris toodud joonistel, kuid kasutus-, hooldus- ja paigaldusjuhendid on samad.

Järgige täpselt käesolevas juhendis antud juhiseid. Seadme valmistaja keeldub igasugusest vastutusest seadmega seotud võimalike ebameeldivuste, rikete või tulekahjude eest, mis tulenevad selles juhendis antud juhiste eiramisest. Õhupuhasti on ette nähtud küpsetuslõhnade ja -aurude eemaldamiseks üksnes koduses majapidamises.

- Hoidke juhendit alles, et saaksite seda igal hetkel uurida. Veenduge müügi, võõrandamise või kolimise korral, et juhend jääks toote juurde.
- Lugege juhised tähelepanelikult läbi: siin on tähtsat teavet paigaldamise, kasutamise ja ohutuse kohta.
- Ärge muutke toodet ega selle väljatõmbetorusid elektriliselt ega mehaaniliselt.
- Enne seadme paigaldamist veenduge, et selle osad ei oleks kahjustunud. Vastasel korral ärge seadet paigaldage, vaid pöörduge edasimüüja poole.

• Minimaalne vahekaugus pliidi pinna ja köögi õhupuhasti alumise ääre vahel ei tohi elektripliidi puhul olla väiksem kui 45cm ning gaasi- või kombineeritud pliidi puhul väiksem kui 65cm ning gaasi- või kombineeritud pliidi puhul väiksem kui .

Kui gaasipliidi paigaldusjuhendis nõutakse suuremat vahekaugust, tuleb seda arvesse võtta.

ELEKTRIVÕRKU ÜHENDAMINE

Võrgupinge peab vastama õhupuhasti sees asuval andmesildil toodud pingele. Kui õhupuhastil on pistik, ühendage see kehtivatele eeskirjadele vastavasse pistikupessa, mis asub ka pärast õhupuhasti paigaldamist ligipääsetavas kohas. Kui õhupuhastil pistikut ei ole (puhasti on otse võrku ühendatud) või kui pistik ei asu kohas, mis jääks ka pärast õhupuhasti paigaldamist ligipääsetavaks, paigaldage nõuetekohane kahepooluseline lüliti, mis kindlustaks vastavalt paigalduseeskirjadele III kategooria liigipinge korral täieliku eraldamise vooluvõrgust.

⚠ TÄHELEPANU! Enne kui lülitate õhupuhasti uuesti elektrivõrku ja kontrollite, kas see töötab korralikult, kontrollige alati, kas võrgukaabel on korralikult monteeritud.

Kui kaabli ei ole pistikut, ühendage juhtmed, juhindudes sellest tabelist:

Võrgupinge ja -sagedus

Kontrollige andmeid õhupuhasti sees asuvalt andmesildilt.

Juhtmete ühendamine



: kollane/roheline

N : sinine

L : pruun

Toitekaabli väljavahetamine

Õhupuhastil on spetsiaalne toitekaabel; kui kaabel on kannatada saanud, pöörduge tehnoabi poole.

ÕHU VÄLJASUUNAMINE

(väljatõmberežiimi puhul)

Ühendage õhupuhasti väljatõmbetorude ja seinal asuvate väljalaskeavadega, mille diameeter on võrdne õhupuhasti väljalaskeava (ühendusäärikuga) omaga.

Peenemate torude ja väiksemate seinal asuvate väljalaskeavade kasutamisel väheneb tõmme ja suureneb oluliselt müra.

Seetõttu ei võta meie sellisel juhul endale mingit vastutust.

! Kasutage minimaalse vajaliku pikkusega toru.

! Kasutage võimalikult väheste põlvedega toru (torupõlve maksimaalne nurk: 90°).

! Vältige toru ristõike olulist muutumist.

! Juhul kui neid nõudeid eiratakse, keeldub tootja igasugusest vastutusest.

FILTREERIMINE VÕI VÄLJATÕMME?

! Õhupuhasti on väljatõmberežiimil kasutamiseks valmis.

Et puhastada õhku filtritega, tuleb paigaldada vastav lisavarustuse komplekt.

Kontrollige kasutusjuhendi esimestelt lehekülgedelt, kas lisavarustuse komplekt on tootega kaasas või tuleb see eraldi soetada.

Tähelepanu! Juhul kui lisavarustus on tootega kaasas, võivad aktiivsõefiltrid juba õhupuhastisse paigaldatud olla.

Kasutusjuhendist leiate ka juhised, kuidas asendada õhupuhasti äratõmbesüsteem filtreerimissüsteemiga.

Väljatõmbesüsteem

Aur viiakse välja ühendusääriku külge kinnitatud väljatõmbetoru abil.

⚠ TÄHELEPANU!

Väljatõmbetoru ei kuulu komplekti ja tuleb ise osta.

Väljatõmbetoru diameeter peab olema sama suur kui ühendusvõru oma.

⚠ TÄHELEPANU!

Kui õhupuhastil on sõefiltrid, tuleb need eemaldada.

Filtreerimissüsteem

Välja tõmmatud õhk puhastatakse rasvast ja lõhnastatakse, enne kui see tagasi siseruumidesse juhitakse. Sellel režiimil kasutamiseks tuleb paigaldada täiendav aktiivsõega filtreerimissüsteem.

JUHTPANEEL

Tulede ja tõmbemootori sisselülitamiseks kasutada õhupuhasti eesküljel olevaid lüliteid.



T1



T2



T3



T4



T5

Esimene kiirus (T1)

Esimese kiiruse aktiveerimiseks vajutage nuppu **T1**. Kui funktsioon on aktiveeritud, süttib LED püsiva tulega põlema. Õhupuhasti väljalülitamiseks vajutage nuppu **T1** uuesti.

Teine kiirus (T2)

Teise kiirus aktiveerimiseks vajutage nuppu **T2**. Kui funktsioon on aktiveeritud, süttib LED püsiva tulega põlema. Õhupuhasti väljalülitamiseks vajutage nuppu **T2** uuesti.

Kolmas kiirus ja BOOSTER(lisavõimsus) (T3)

Kui õhupuhasti on välja lülitatud või aktiivne on esimene või teine kiirus, saab kolmanda kiiruse aktiveerida nupust **T3** ning LED süttib püsiva tulega põlema.

Teine vajutus nupule **T3** lülitab sisse funktsiooni Booster. Booster'i saab aktiveerida ainult siis, kui on aktiveeritud kolmas kiirus. Kui Booster on sisse lülitatud, hakkab LED **T3** vilkuma. Kui Booster töötab, saab ümber lülitada esimesele või teisele kiirusele, vajutades soovitud kiiruse nuppu **T1** või **T2** – Booster lülitub välja ning aktiveerub valitud kiiruse.

Õhupuhasti väljalülitamiseks, kui Booster on aktiveeritud, vajutage nuppu **T3** uuesti.

5 minuti pärast lülitub Booster automaatselt välja ning aktiveerub kolmas kiirus.

Taimer (T4)

Taimerit saab aktiveerida, kui sees on esimene, teine või kolmas kiirus. Kui funktsioon on aktiveeritud, süttivad pideva tulega põlema nii taimer LED (**T4**) kui ka varem valitud kiiruse oma (**T1/T2/T3**).

Taimerit töö kestus oleneb valitud kiirusest.

Esimene kiirus **T1 = kestus 20 minutit**

Teine kiirus **T2 = kestus 15 minutit**

Kolmas kiirus **T3 = kestus 10 minutit**.

Taimerit ei saa aktiveerida, kui töötab Booster. Kui aeg saab täis, siis lülitub õhupuhasti välja. Kui kiirus on ajastatud, saab teisele kiirusele ümber lülitada, vajutades soovitud kiiruse nuppu – see toiming lülitab taimerit välja.

Kui kiirus on ajastatud, saab taimerit välja lülitada, vajutades nupule **T4** või ühele kahest teisest ajastusega kiirusest. Õhupuhasti väljalülitamiseks vajutage uuesti selle kiiruse nuppu, millega eelnevalt töötas ajastus.

Lamp (T5)

Lambi saab põlema panna mistahes ajal, vajutades nupule **T5**. Kui funktsioon on aktiveeritud, süttib LED püsiva tulega põlema.

Filtri seadistamine

Filtri näidikud saab aktiveerida ja inaktiveerida ainult siis, kui õhupuhasti on välja lülitatud.

Seadistamise menüüsse pääsemiseks vajutage pikemalt alla nupud **T2 + T3**, kui olete menüüsse sisenenud, hakkab **T1** vilkuma. Eelseadistus on järgmine:

– **rasvafiltri** näidik (**T2**) põleb, seega on aktiivne;

– **lõhnafiltri** näidik (**T3**) ei põle, seega pole aktiivne.

T2 – rasvafiltri aktiivsuse/inaktiivsuse näidik **T3** – lõhnafiltri aktiivsuse/inaktiivsuse näidik Menüüst väljumiseks vajutage pikemalt alla nupp **T1** või oodake **10 sekundit**

Filtri lähtestamine

Õhupuhasti annab korrapärase ajavahemike järel teada, et filtreid tuleb hooldada:

– rasvafiltrit iga **40 tunni** järel;

– lõhnafiltrit iga **160 tunni** järel.

Kui sellisel juhul puudutab kasutaja väljalülitatud õhupuhastil mistahes nuppu, kuvatakse **10 sekundiks** liidesel ühte kahest võimalusest:

– kui vilguvad **T1 + T2: tuleb hooldada rasvafiltrit**;

– kui vilguvad **T1 + T3 : tuleb hooldada lõhnafiltrit**.

10 sekundi jooksul saab rasvafiltri lähtestada, vajutades nuppudele **T1 + T2**, ja lõhnafiltri, vajutades nuppudele **T1 + T3**. Kui lähtestamine on lõpule viidud, vilguvad vastavad nupud kiiresti kaks korda. Nüüd töötab liides edasi nagu tavaliselt.

Tähelepanu!

10 sekundi jooksul töötab õhupuhasti tavapäraselt, kiiruse nupud visuaalset märguannet ei anna. Kui 10 sekundi jooksul ühtegi toimingut ei tehta, lõpetavad LEDid vilkumise ja visuaalsed märguanded käituvad jälle nagu tavaolukorras.

HOOLDUS

Puhastamine

Puhastamiseks kasutage **AINULT** neutraalse vedela puhastusvahendiga niisutatud lappi. **ÄRGE KASUTAGE PUHASTAMISEKS TÕORIISTU VÕI VAHENDEID!**

Vältige abrasiivseid aineid sisaldavaid vahendeid. **ÄRGE KASUTAGE PUHASTAMISEKS ALKOHOLI!**

Väljatõmbepaneel

Puhastage perimeetrilist vaakumpaneeli sama sagedusega kui rasvafiltrit. Selleks kasutage riidelappi ja mittekontsentreeritud vedelat puhastusvahendit. Ärge kasutage abrasiivseid aineid.

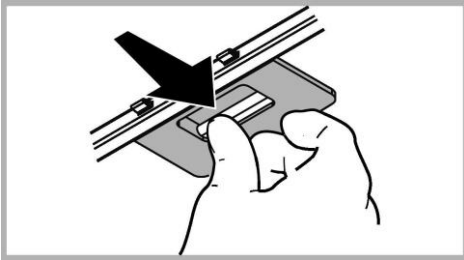
Rasvafiltrite hooldus

Püüab kinni toiduvalmistamisel tekkivad rasvaosakesed.

Seda tuleb kord kuus mittesööbivate puhastusvahenditega puhastada kas käsitsi või nõudepesumasinas madala temperatuuri ja lühikese tsükliga.

Nõudepesumasinas pesemisel võib metallist rasvafiltrit värvi muuta, aga tema filtreerimisomadusi ei muuda see vähimalgi määral.

Rasvafiltri eemaldamiseks tõmmake hooba.



Söefiltri hooldus

Absorbeerib toiduvalmistamisel tekkivad ebameeldivad lõhnad.

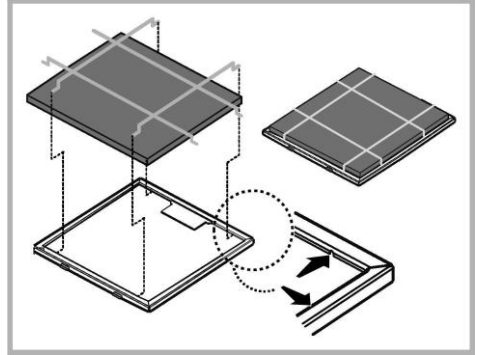
Madratsfilter (tootega kaasas).

Söefiltrit võib iga kahe kuu tagant (või kui filtri indikaator (kui see on Teie mudelile paigaldatud) näitab vajadust filtrit pesta) pesta kuuma vee ja sobiva pesuainega käsitsi või nõudepesumasinas 65 °C juures (nõudepesumasinat kasutades peske filtrit ilma muude nõudeta täispika programmiga).

Eemaldage liigne vesi ettevaatlikult, et filtrit mitte kahjustada. Filtri täielikuks kuivatamiseks asetage see 10 minutiks ahju 100 °C juurde.

Vahetage söefilter välja iga kolme aasta tagant või siis, kui filter on kahjustunud või ummistunud.

Madratsfiltrit võib asendada ümmarguse söefiltriga.



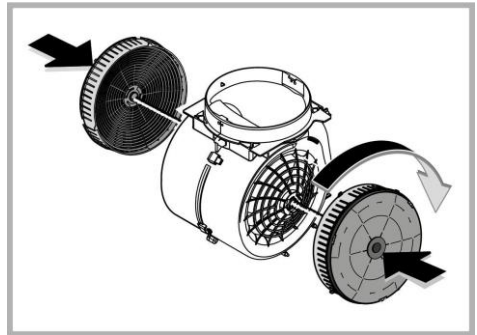
Ümmargune söefilter

Asetage üks filter kummalegi küljele nii, et need kataks mootori tööratla mõlemad kaitsevõred, seejärel pöörake päripäeva.

Nende mahavõtmiseks pöörake vastupäeva.

Söefilter küllastub kas lühema või pikema kasutamise järel olenevalt pliidiist ja sellest, kui korrapäraselt rasvafiltrit puhastatakse. Igal juhul tuleb kassett välja vahetada vähemalt iga nelja kuu tagant.

Seda EI TOHI pesta ega taasaktiveerida



Lambipirnide väljavahetamine

Õhupuhasti on varustatud LED-valgustitega.


LED-lambid tagavad optimaalse valguse kuni kümme korda pikema kestvusega võrreldes tavalampidega ning nende elektrienergia kokkuhoid on 90%.

Kasutaja ei saa valgustusüsteemi ise välja vahetada, rikete korral pöörduge müügijärgse teeninduse poole.

TOOTE KASUTUSELT KÕRVALDAMINE

Seade on märgistatud direktiivi 2012/19/EC - UK SI 2013 No.3113 (elektri- ja elektroonikaseadmete jäätmete kohta) (Waste Electrical and Electronic Equipment, WEEE) kohaselt. Kui hoolitsete selle eest, et see toote kõrvaldatakse kasutusest õigesti, aitate vältida võimalikke negatiivseid tagajärgi keskkonnale ja tervisele.



Sümbol  tootel või sellega kaasas olevates dokumentides näitab, et toodet ei tohi käidelda nagu olmejäätmeid, vaid see tuleb anda elektri- ja elektroonikaseadmete jäätmete vastuvõtupunkti, kust see läheb taasinglusse. Järgige kohalikke jäätmete kõrvaldamise alaseid õigusnorme. Lisateabe saamiseks selle toote käitlemise, taaskasutamise ja ringlussevõtu kohta võtke ühendust vastava kohaliku asutuse, olmejäätmete kogumise ettevõtte või selle firmaga, kelle käest te toote ostsite.

Seade on välja töötatud, testitud ja toodetud vastavalt:

- Ohutus: EN/IEC 60335-1; EN/IEC 60335-2-31, EN/IEC 62233.
- Jõudlus EN/IEC 61591; ISO 5167-1; ISO 5167-3; ISO 5168; EN/IEC 60704-1; EN/IEC 60704-2-13; EN/IEC 60704-3; ISO 3741; EN 50564; IEC 62301.
- Elektromagnetiline ühilduvus: EMC: EN 55014-1; CISPR 14-1; EN 55014-2; CISPR 14-2; EN/IEC 61000-3-2; EN/IEC 61000-3-3.

Soovitused keskkondlike mõjude vähendamiseks kasutamise ajal:

Lülita tõmbekapp minimaalkiirusel sisse kohe kui oled hakanud sööki valmistama ning lase sel töötada paar minutit pärast toidu valmimist. Suurenda töökiirust vaid suure suitsu või auru korral ning kasuta intensiivrežiimi ainult hädavajaduse korral. Vaheta vajaduse tekkides välja sõefiltrid, et tagada piisav lõhnaeemaldus. Puhasta vajaduse tekkides rasvafiltrid, et tagada piisav rasvaeemaldus. Kasutada juhendis näidatud maksimaalset ärajuhtimisava, et optimeerida tõhusus ja vähendada müra.



TÕRKED SEADME TÖÖS

Kui näib, et miski ei tööta, siis enne klienditeenindusse helistamist tehke läbi need lihtsad kontrollkätsed.

- Kui õhupuhasti ei tööta, kontrollige, kas
 - elektriühendus ei ole katkenud;
 - on valitud üks võimalikest kiirusastmetest.
- Kui õhupuhasti töötab halvasti, kontrollige, kas
 - valitud mootorikiirus on tekkiva suitsu ja auru eemaldamiseks piisav;
 - köögis on seadme töötamiseks piisavalt õhku;
 - sõefilter ei vaja väljavahetamist (filtriga õhupuhasti puhul).
- Kui õhupuhasti lülitub töötamise ajal välja, kontrollige, kas
 - elektriühendus on olemas;
 - vooluvõrgu kaitse on töökorras.

Kui seadme töös esineb tõrkeid, siis enne klienditeenindusse pöördumist eraldage seade vooluvõrgust, tõmmates pistiku pistikupesast vähemalt viieks sekundiks välja, ning seejärel ühendage seade uuesti. Kui tõrge ei kao, võtke ühendust klienditeenindusega.

TEHNILISED ANDMED

Kõrgus (cm)	Laius (cm)	Sügavus (cm)	Väljalasketorude läbimõõt (cm)
 71-104,5	59,8 - 79,8	32,6	15
 79,5-104,5			

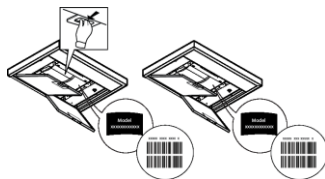


Toote lisavarustusse ei kuulu



Saate alla laadida ohutusjuhised, kasutusjuhendi, tehnilised ja elektriühendust puudutavad andmed mitmel moel.

- Külastage meie kodulehte docs.whirlpool.eu
- Kasutage QR-koodi
- Samuti võite võtta ühendust meie teeninduskeskusega (telefoninumbri leiате garantiilehelt). Teeninduskeskusesse pöördudes tuleb teil teatada toote identifitseerimiskoodid.



BENDROJI SAUGA

- Prieš atlikdami bet kokius valymo ar priežiūros veiksmus, atjunkite gartraukį nuo elektros tinklo ištraukdami maitinimo laido kištuką ar išjungdami pagrindinį namo jungiklį.
 - Atlikdami visus montavimo ir priežiūros darbus mūvėkite darbinės pirštines.
 - Vaikai nuo 8 metų amžiaus ir asmenys su ribotomis fizinėmis, jutimo ar psichinėmis galimybėmis, ar neturintys patirties ar reikalingų žinių, gali naudoti aparatą su priežiūra arba gavę atitinkamas instrukcijas apie saugų aparato naudojimą bei supratę visus pavojus, susijusius su jo naudojimu.
 - Vaikai turi būti prižiūrimi, kad nežaistų su įrenginiu.
 - Valymas ir priežiūra negali būti atliekama vaikų be priežiūros.
 - Patalpoje turi būti pakankama ventilacija, kai virtuvinis gartraukis naudojamas vienu metu kartu su kitais įrenginiais, naudojančiais dujų ar kitų medžiagų degimą.
 - Gartraukis turi būti dažnai valomas tiek iš vidaus, tiek iš išorės (**MAŽIAUSIAI VIENĄ KARTĄ PER MĖNESI**), bet kuriuo atveju rekomenduojama vadovautis priežiūros instrukcijose pateiktais nurodymais.
 - Nesilaikant gartraukio valymo bei filtrų keitimo ir valymo instrukcijų, gali kilti gaisro pavojus.
 - Griežtai draudžiama gaminti patiekalus su ugnimi po gartraukiu.
 - Lempos keitimui naudokite tik šių instrukcijų vadove esančiame priežiūros skyriuje nurodytus lempų tipus.
- Atviros liepsnos naudojimas pažeidžia filtrus ir gali sukelti gaisrą, dėl to jos būtina vengti. Kepimas turi būti nuolat stebimas, kad įkaitęs aliejus neužsidegtų.
- DĖMESIO:** Viryklei veikiant, prieinamos gartraukio dalys gali tapti karštos.
- Nejunkite įrenginio prie elektros tinklo, kol jis nėra visiškai sumontuotas.
 - Griežtai laikykitės vietinės valdžios pateiktų taisyklių dėl išmetamų dūmų techninių matmenų ir saugumo.
 - Įsiurbiamas oras negali būti išleidžiamas į vamzdyną naudojamą dūmų, susidariusių dėl dujų ar kitų medžiagų degimo, išmetimui.
- ▲ DĖMESIO!** Netinkamai sumontavus varžtus ir kitas tvirtinimo detales nurodytas šiose instrukcijose, gali kilti pavojų su elektra.
- Nenaudokite ir nepalikite gartraukio tinkamai nesumontavę lempų, nes rizikuojate elektros nutrenkimu.
 - Niekuomet nenaudokite gartraukio tinkamai nesumontavę grotelių!
 - Gartraukis **JOKIAIS BŪDAIS** negali būti naudojamas, kaip atrama, nebent aiškiai nurodyta kitaip.
 - Montavimui naudokite tik kartu su gaminiu gautus tvirtinimo varžtus, o jeigu jų negavote, naudokite tinkamo tipo varžtus.
 - Naudokite tinkamo ilgio varžtus, kuris nurodytas Montavimo vadove.
 - Iškilus dvejonėms, kreipkitės į įgaliotą aptarnavimo centrą ar panašų kvalifikuotą

personala.

▲ DĖMESIO! Nenaudoti su atskiru programavimo įtaisu, laikmačiu, nuotoliniu valdymo pultu arba bet kuriuo kitu automatiškai suaktyvinamu prietaisu.

Saugokite prietaisą nuo mažesnių nei 3 metų vaikų. Saugokite prietaisą nuo mažesnių nei 8 metų vaikų, jei jie nėra nuolat prižiūrimi suaugusiojo.

▲ DĖMESIO: prietaisas nėra skirtas paleisti veikti išoriniu prietaisu arba atskira nuotoline valdymo sistema.

▲ Šis prietaisas nėra skirtas profesionaliam naudojimui. Nenaudokite prietaiso lauke.

▲ Kad išvengtumėte asmens sužalojimo rizikos, prietaisą kelti ir montuoti privalo du arba daugiau asmenų.

▲ Montavimo darbus, įskaitant bet kokias vandens tiekimo jungtis (jei numatytos) ir elektros jungtis bei remonto darbus privalo atlikti kvalifikuotas personalas.

Baigę montuoti, laikykite pakuotės medžiagą (plastikines dalis, polistireną ir t. t.) atokiau nuo vaikų, kad išvengtumėte uždusimo pavojaus. .

Nenaudokite prietaiso, jei esate šlapi arba plikomis kojomis.

Niekada nenaudokite prietaisų valymui garais – elektros smūgio pavojus.



Pakuotės medžiaga yra 100 % perdirbama ir yra pažymėta perdirbimo simboliu

Išoriškai gaubtas gali atrodyti kitaip, nei pavaizduota šioje brošiūroje, tačiau naudojimosi, priežiūros ir montavimo nurodymai lieka tokie patys.

Griežtai laikykitės naudojimosi instrukcijų. Gamintojas neprisiima jokios atsakomybės, jei montuojant prietaisą buvo nesilaikoma naudojimosi instrukcijoje nurodytų taisyklių ir tokiu būdu prietaisas sugedo, buvo pažeistas ar užsidegė. Gartraukis skirtas dūmams ir garams, susidariusiems gaminant maistą, ištraukti. Jis skirtas naudoti tik namuose.

- Svarbu saugoti šias instrukcijas, kad galėtumėte jas bet kuriuo metu pasiskaityti. Jei gaminį parduotumėte, perleistumėte kitiems ar perkeltumėte į kitą vietą, įsitinkite, kad instrukcijos liktų kartu su gaminiumi.
- Įdėmiai perskaitykite instrukcijas: jose pateikta svarbi informacija apie įdiegimą, naudojimą ir saugumą.
- Nekeiskite elektrinių ar mechaninių gaminio ar iškrovimo vamzdžių savybių.
- Prieš įrengdami gaminį, patikrinkite visus jo komponentus, ar nepažeisti. Jei pažeisti, nutraukite įrengimo darbus ir susisiekite su patintoju.

- Jei viryklė elektrinė, mažiausias atstumas tarp viryklės kaitlentės paviršiaus ir žemiausios virtuvinio gaubto dalies turi būti 45cm, o jei viryklė dujinė ar kombinuota – 65cm o jei viryklė dujinė ar kombinuota.

Jei dujinės viryklės įrengimo instrukcijoje nurodomas didesnis atstumas, būtina j tai atsižvelgti.

ELEKTROS INSTALIACIJA

Įtampa elektros tinkle turi atitikti įtampą, nurodytą etiketėje, priklijuotoje gaubto viduje. Jei yra kištukas, reikia įjungti gaubtą į rozetę, atitinkančią galiojančius nuostatus ir esančią prieinamoje vietoje net ir po gaubto įdiegimo. Jeigu kištuko (yra numatytas tiesioginis prijungimas prie elektros srovės) arba nėra rozetės prieinamoje vietoje net ir po gaubto įdiegimo, yra naudojamas dvipolis jungiklis, pagal visas įdiegimo taisykles užtikrinantis visišką atsijungimą nuo elektros tinklo per aukštos įtampos atveju.

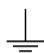
▲ DĖMESIO! Prieš vėl prijungdami gaubtą prie elektros maitinimo tinklo ir patikrindami, ar jis tinkamai veikia, visada įsitinkite, ar tinklo kabelis tinkamai įmontuotas.

Jei laidas neturi kištuko, prijunkite laidus vadovaudamiesi toliau pateikta lentele:

Tinklo įtampa ir dažnis

Žr. gartraukio vidinėje dalyje pritvirtintoje savybių etiketėje nurodytą dydį.

Laidų prijungimas

 : geltonas / žalias
N: mėlynas
L: rudas

Elektros kabelio pakeitimas

Prie gaubto pridedamas specialus maitinimo kabelis. Jei pastebėjote, kad kabelis yra pažeistas, nedelsiant kreipkitės į techninės pagalbos centrą dėl kabelio keitimo.

ORO IŠLEIDIMAS

(versijose su siurbimo funkcija)

Prijungti gaubtą prie išvedamųjų vamzdžių ir išvedamųjų angų sienoje, kurių skersmuo atitiktų sandarinimo flanšą.

Jei nutekėjimo žarnos ir angos sienoje yra mažesnio skersmens, sumažėja traukiamoji geba ir stipriai padidėja triukšmingumas.

Gamintojas neprisiima su tuo susijusios atsakomybės.

! Naudokite pakankamo ilgio vamzdį.

! Naudokite kuo tiesesnį vamzdį (didžiausias vamzdžio nuokrypio kampas – 90°).

! Stenkitės iš esmės nekeisti vamzdžių sekcijų.

! Įmonė neprisiima jokios atsakomybės, jei nebus laikomasi šių taisykių.

SU FILTRAVIMO AR IŠTRAUKIMO FUNKCIJA?

! Jūsų turimas gartraukis skirtas naudoti su ištraukimo funkcija.

Jei norite naudoti gartraukį su filtravimo funkcija, reikia sumontuoti atitinkamą PAPILDOMĄ RINKINĮ.

Šio vadovo pirmuose puslapiuose patikrinkite, ar PAPILDOMAS RINKINYS yra tiekiamas priedas, ar jį reikia užsisakyti atskirai.

Pastaba: Jei tai tiekiamas priedas, kai kuriais atvejais gartraukyje jau gali būti sumontuota papildoma filtravimo sistema su aktyvinta anglimi.

Informaciją apie tai, kaip pakeisti gartraukio funkciją iš ištraukimo į filtravimo, rasite šiame vadove.

Versija su ištraukimo funkcija

Garai išstumiami į išorę per iškrovos vamzdį, pritvirtintą prie jungės.

DĖMESIO!

Iškrovimo vamzdis nepridedamas, jį reikia pirkti atskirai.

Vamzdžio skersmuo privalo atitikti sujungimo žiedo skersmenį.

DĖMESIO!

Jei gaubte yra anglies filtru, juos reikia išimti.

Versija su filtravimo funkcija

Prieš patekdamas į kambarį, įtraukiamas oras nuriebalinamas ir dezodoruojamas. Norėdami naudotis šios versijos filtru, privalote įdiegti papildomą filtravimo aktyviają anglimi sistemą.

KOMANDOS

Gaubte yra valdymo skydelis su ištraukimo greičio parinkimu ir šviesos jungikliu, kuriuo galima valdyti kepimo ploto šviesas.



T1



T2



T3



T4



T5

Pirmas greitis (T1)

Paspauskite **T1**, kad suaktyvintumėte pirmą greitį. Kai funkcija suaktyvinta, šviesos diodas įsijungia ir lemputė dega nuolat. Dar kartą paspauskite **T1**, kad išjungtumėte gartraukį.

Antras greitis (T2)

Paspauskite **T2**, kad suaktyvintumėte antrą greitį. Kai funkcija suaktyvinta, šviesos diodas įsijungia ir lemputė dega nuolat. Dar kartą paspauskite **T2**, kad išjungtumėte gartraukį.

Antras greitis ir „BOOSTER“ (STIPRINTUVAS) (T3)

Kai gartraukis išjungtas arba aktyvus pirmas arba antras greitis, trečią greitį galima suaktyvinti paspaudus mygtuką **T3**; įsijungs šviesos diodas, o lemputė degs nuolat.

Dar kartą paspauskite **T3** ir įsijungs booster. Booster galima suaktyvinti tik tada, kai jau aktyvus trečias greitis. Kai booster įjungtas, šviesos diodas **T3** pradeda mirksėti. Booster veikiant, galima pereiti prie pirmo arba antro greičio paspaudus pageidaujama greičio mygtuką **T1** arba **T2**; booster išsijungs ir bus suaktyvintas pasirinktas greitis.

Kai booster įjungtas, dar kartą paspauskite **T3**, kad išjungtumėte gartraukį.

Po **5 min.** booster išsijungia automatiškai ir automatiškai suaktyvinamas trečias greitis.

Laikmatis (T4)

Laikmatį galima suaktyvinti tuomet, kai aktyvus pirmas, antras arba trečias greitis. Kai funkcija suaktyvinta, tiek laikmačio (**T4**), tiek prieš tai pasirinkto greičio (**T1/T2/T3**) šviesos diodas įsijungia ir dega nuolat.

Laikmatis veikia atsižvelgiant į pasirinktą greitį.

Pirmas greitis **T1 = trukmė 20 min.**

Antras greitis **T2 = trukmė 15 min.**

Trečias greitis: **T3 = trukmė 10 min.**

Laikmačio negalima suaktyvinti tuomet, kai aktyvus booster. Pasibaigus laikui, gartraukis išsijungia. Kai greitis yra nustatyto laiko, prie kitų greičių galima pereiti paspaudus pageidaujama greičio mygtuką ir šiuo veiksmu laikmatis bus išjungtas.

Kai greitis yra nustatyto laiko, laikmatį galima išjungti paspaudus **T4** arba vieną iš kitų dviejų neaktyvių greičių. Norėdami išjungti gartraukį, dar kartą paspauskite greitį, kuriam prieš tai buvo taikytas laiko nustatymas.

Lemputė (T5)

Lemputę galima suaktyvinti bet kuriuo metu paspaudus klavišą **T5**. Kai funkcija suaktyvinta, šviesos diodas įsijungia ir lemputė dega nuolat.

Filtro nustatymas

Filtro rodiklius suaktyvinti arba išjungti galima tik tada, kai gartraukis išjungtas.

Norėdami įjungti konfigūravimo meniu, ilgai spauskite **T2+T3**, o atidarius meniu **T1** pradės mirksėti.

Numatytasis nustatymas yra:

– **riebalų filtro** rodiklis (**T2**) įjungtas, tai yra, aktyvus;

– **kvapų filtro** rodiklis (**T3**) išjungtas, tai yra, neaktyvus.

T2 suaktyvina / išjungia riebalų filtro rodiklį. **T3** suaktyvina / išjungia kvapų filtro rodiklį. Norėdami išjungti meniu, ilgai spauskite **T1** arba palaukite **10 sek.**

Filtro atstatymas

Gartraukis reguliariais intervalais praneša, kad reikia atlikti filtro priežiūros darbus:

– riebalų filtras kas **40 valandų**;

– kvapų filtras kas **160 valandų**.

Šiuo atveju, kai gartraukis išjungtas ir naudotojas palies bet kurį mygtuką, sąsajoje **10 sek.** bus rodomas pranešimas apie dviejų tipų reikalingus veiksmus:

– jei **T1+T2** mirksi: **riebalų filtro priežiūra;**

– jei **T1+T3** mirksi: **kvapų filtro priežiūra.**

Per 10 sek. galima atstatyti riebalų filtrą paspaudus **T1+T2** ir atstatyti kvapų filtrą paspaudus **T1+T3**. Baigus atstatyti, mygtukų kombinacijos greitai sumirksi du kartus. Dabar sąsaja veiks kaip įprastai.

Dėmesio:

10 sek. laikotarpį gartraukis veiks kaip įprastai, bet greičio mygtukuose nebus matomi vaizdiniai signalai. Jei per 10 sek. nebus atliktas joks veiksmas, šviesos diodai nustos mirksėti ir vaizdiniai signalai vėl bus rodomi kaip įprastai.

TECHNINĖ PRIEŽIŪRA

Valymas

Valymui naudokite **TIK** šluostę, suvilgytą skystu neutraliu valikliu. **NENAUDOKITE VALYMO REIKMENŲ AR INSTRUMENTŲ!**

Nenaudokite abrazyvinių valymo priemonių. **NENAUDOKITE SPIRITO!**

Perimetrinio ištraukimo skydelis

Oro ištraukimo į išorę valdymo skydelį valykite taip pat reguliariai kaip ir riebalų filtrą. Naudokite šluostę ir skystą nelabai koncentruotą valiklį. Niekada nenaudokite abrazyvinių šveičiamųjų medžiagų

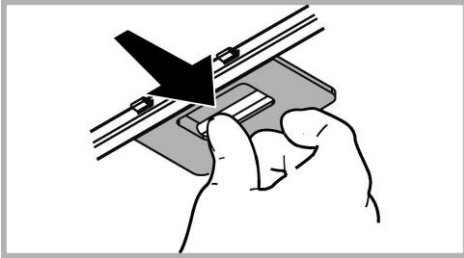
Nuo riebalų saugančių filtrų techninė priežiūra

Sulaiko keпамų riebalų daleles.

Turi būti valomas vieną kartą per mėnesį švelniais valikliais, rankiniu būdu ar indaplovėje atitinkamoje temperatūroje ir trumpuoju ciklu.

Plauant metalinį nuo riebalų saugantį filtrą indaplovėje, jis gali prarasti spalvą, bet jo filtravimo savybės išliks nepakitusios

Norėdami išmontuoti riebalų filtrą, patraukite spyruoklinę atkabinimo rankeną.



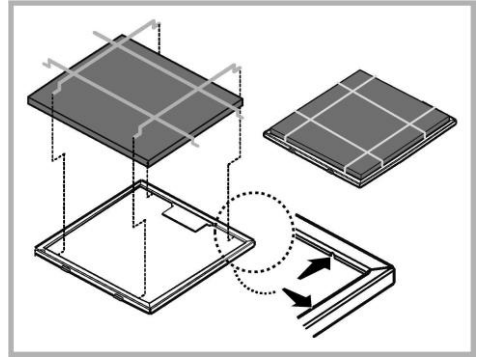
Anglies filtro techninė priežiūra

Naikina nemalonius kvapus, atsirandančius maisto gaminimo metu.

Filtras su paklotu (tiekiamas su produktu).

Anglies filtrą plaukite kas du mėnesius (ar kai filtrų perpildymo indikacijos sistema, jei tokia numatyta turimame modelyje, rodo tokią būtinybę) karštu vandeniu su atitinkamais plovikliais arba indaplovėje 65°C temperatūroje (plauant indaplovėje, nustatykite pilną plovimo ciklą, plaukite atskirai nuo kitų indų). Pašalinkite vandens perteklių nepažeisdami filtro, po to 10 minučių įdėkite jį į iki 100°C įkaitintą orkaitę, kad visai išdžiūtų. Keiskite kempinėle kas 3 metus arba kiekvieną kartą pažeidus audinį.

Filtras su paklotu gali būti pakeistas apvaliu anglies filtru.



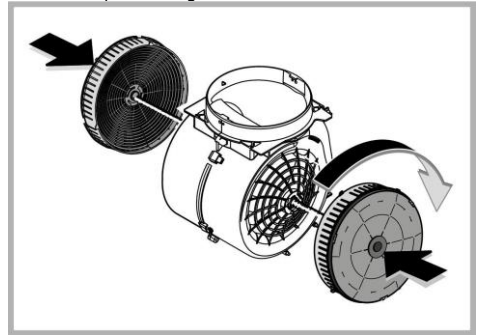
Apvalūs anglies filurai

Pridėkite po vieną filtrą prie kiekvieno šono, padengdami variklio diską apsaugančias groteles, po to pasukite juos laikrodžio rodyklės kryptimi.

Norėdami nuimti filtrus, pasukite kiekvieną filtrą prieš laikrodžio rodyklę.

Anglies filtras prisipildo naudojant jį ilgą laiką, priklausomai nuo virtuvės tipo ir riebalų filtro valymo reguliarumo. Bet kokiu atveju, kapsulę reikia keisti mažiausiai kas keturis mėnesius.

NEGALIMA plauti ar regeneruoti.



Lempučių pakeitimas


Gartraukio įrengta diodų technologijos apšvietimo sistema. Diodai užtikrina optimalų apšvietimą, be to, jų naudojimo laikas iki 10 kartų ilgesnis nei tradicinių lempučių, taigi sutaupoma 90 % elektros energijos.

Apšvietimo sistemos naudotojai negali pakeisti. Jai sugedus kreipkitės į pagalbos tarnybą.

SUNAIKINIMAS

Šis prietaisas pažymėtas remiantis ES Direktyva 2012/19/EC - UK SI 2013 No.3113 dėl elektros ir elektroninės įrangos atliekų, (EE) atliekų). Pasirūpindamas, kad šis gaminys būtų išmestas tinkamai, vartotojas padeda išvengti neigiamų pasekmių aplinkai ir sveikatai.



Simbolis  ant gaminio ar jo dokumentuose rodo, kad šis gaminys neturi būti priskiriamas buitiniams atliekams, o turi būti pristatytas į tam tikrą atliekų surinkimo punktą elektrinių ir elektroninių aparatų pakartotiniam panaudojimui. Gaminį išmeskite laikydamiesi vietinių atliekų šalinimo normų. Norėdami gauti daugiau informacijos apie šio gaminio apdorojimą, rinkimą ir pakartotinį panaudojimą, kreipkitės į specialią vietinę įstaigą, buitinių atliekų rinkimo centrą ar parduotuvę, kurioje gaminys buvo pirktas.

Prietaisas suprojektuotas, išbandytas ir pagamintas pagal:

- Sauga: EN/IEC 60335-1; EN/IEC 60335-2-31, EN/IEC 62233.
- Eksploatavimas: EN/IEC 61591; ISO 5167-1; ISO 5167-3; ISO 5168; EN/IEC 60704-1; EN/IEC 60704-2-13; EN/IEC 60704-3; ISO 3741; EN 50564; IEC 62301.
- Elektromagnetinis suderinamumas: EMC: EN 55014-1; CISPR 14-1; EN 55014-2; CISPR 14-2; EN/IEC 61000-3-2; EN/IEC 61000-3-3.

Tinkamo naudojimo patarimai, siekiant sumažinti poveikį aplinkai: Kai pradėdate virti, įjunkite gartraukį, nustatykite mažiausią greitį ir, baigę virti, palikite jį veikti dar kelioms minutėms. Padidinkite greitį tik tuomet, jei susikaupia daug dūmų ar garų, o forsuotąją veikseną naudokite tik kraštutiniais atvejais. Kad išlaikytumėte kvapų sugėrimo efektyvumą, keiskite anglies filtra(-us). Kad išlaikytumėte riebalo filtro(-us) veiksmingumą, valykite jį (juos). Naudokite didžiausio šiame vadove nurodyto skersmens kanalus, kad išlaikytumėte prietaiso efektyvumą ir sumažintumėte jo skleidžiamą triukšmą.



VEIKIMO TRIKTYS

Jei kyla abejonų dėl veikimo, prieš kreipdamiesi į klientų aptarnavimo tarnybą, atlikite šias paprastas patikras:

- Jei gartraukis neveikia:
Patikrinkite, ar:
 - Nėra srovės pertrūkių.
 - Pasirinkote greitį.
- Jei gartraukio mažas našumas:
Patikrinkite, ar:
 - Pasirinktas variklio greitis yra pakankamas pagal dūmų ir garų kiekį.
 - Virtuvė yra pakankamai vėdinama ir yra oro sklendė.
 - Nenusidėvėję anglies filtras (jei gartraukis yra su filtravimo funkcija).
- Jei gartraukis išsijungė įprastai veikdamas:
Patikrinkite, ar:
 - Nėra srovės pertrūkių.
 - Nesuveikė visų polių srovės išjungiklis.

Jei kyla veikimo trikdžių, prieš kreipdamiesi į klientų aptarnavimo tarnybą bent 5 sek. išjunkite prietaisą iš elektros tinklo – ištraukite kištuką ir vėliau jį vėl įkiškite. Jei veikimo trikties tai nepanaikina, kreipkitės į klientų aptarnavimo tarnybą.

TECHNINIAI DUOMENYS

Aukštis (cm)	Plotis (cm)	Gylis (cm)	Išleidimo vamzdžio Ø (cm)
 71-104,5	59,8 - 79,8	32,6	15
 79,5-104,5			

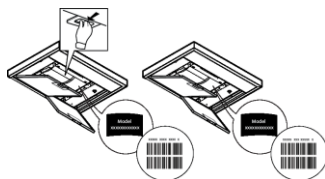


Komponentai su gaminiu netiekiami.



Norėdami atsisiųsti saugos instrukcijas, naudojimo instrukciją, techninių duomenų lapą ir energijos duomenis:

- apsilankykite interneto svetainėje docs.whirlpool.eu;
- naudokite QR kodą;
- arba kreipkitės į pagalbos tarnybą (telefono numeris nurodytas garantijos knygelėje). Kreipdamiesi į pagalbos tarnybą, nurodykite gaminio serijos numerio plokštelėje pateiktus kodus.



VISPĀRĒJA DROŠĪBA

- Pirms jebkuras tīrīšanas vai tehniskās apkopes darbības, atslēgt gaisa nosūcēju no elektrotīkla, izņemot kontaktdakšu vai atslēdzot strāvas elektroapgādi.
 - Visu uzstādīšanas un apkopes operāciju laikā vienmēr jāvalkā darba cimdi.
 - Bērni no 8 gadu vecuma vai personas ar ierobežotām fiziskajām, sensorālajām vai garīgajām spējām vai ar nepietiekamu pieredzi un zināšanām šo ierīci var izmantot tikai tad, ja tiek atbilstoši uzraudzīti vai arī, norādot, kā ierīci droši izmantot un, lai būtu saprotami ar to saistītie riski.
 - Bērniem nav atļauts darbināt kontrolierīces vai rotaļāties ar iekārtu.
 - Bērni nedrīkst veikt tās tīrīšanu un uzturēšanu bez uzraudzības.
 - Telpās, kurās ir uzstādīta iekārta, ir jābūt pietiekamai ventilācijai, ja virtuves gaisa nosūcējs tiek lietots kopā ar citām gāzes sadedzināšanas iekārtām vai citu kurināmo.
 - Gaisa nosūcējs ir jātīra gan no iekšpuses, gan no ārpuses (VISMĀZ VIENU REIZI MĒNESĪ), jebkurā gadījumā, ievērojot to, kas ir skaidri uzrādīts tehniskās apkopes instrukcijās.
 - Gaisa nosūcēja tīrīšanas un filtru nomainīšanas un tīrīšanas normu neievērošana izraisa ugunsgrēku riskus.
 - Ir stingri aizliegts pagatavot ēdienus “flambē” veidā zem pārsega.
 - Spuldzes nomainīšanai izmantojiet tikai spuldzes veidu, kas norādīts šīs rokasgrāmatas lampu apkopes/nomainīšanas sadaļā.
- Atklātās uguns izmantošana ir kaitīga filtriem un var provocēt ugunsgrēkus, tādēļ no tā jebkurā gadījumā ir jāizvairās.
- Cepšana ir jāveic to uzraugot, lai izvairītos no pārkarstās eļļas degšanas.
- UZMANĪBU!** Pieejamajās daļās var ievērojami sasildīties, kad tiek izmantotas kopā ar ierīcēm ēdiena gatavošanai.
- Nepievienojiet ierīci elektrotīklam, līdz instalācija nav pilnībā pabeigta.
 - Attiecībā uz tehniskajiem un drošības pasākumiem, kas jāpieņem, lai izvadītu dūmus, ir svarīgi rūpīgi ievērot vietējo iestāžu noteikumus.
 - Šīs ierīces cauruļvadu sistēma nedrīkst būt pieslēgta kādai citai esošai ventilācijas sistēmai, kas tiek izmantota jebkādiem citiem mērķiem, piemēram, dūmu izvadīšanai no iekārtām, kurās izmanto gāzi vai citu kurināmo.
- ▲ UZMANĪBU!** Nespēja uzstādīt skrūves vai stiprinājuma ierīci saskaņā ar šiem norādījumiem, var izraisīt elektriskā apdraudējuma risku.
- Neizmantojiet vai neatstājiet gaisa nosūcēju bez pareizi ierīkotām spuldzēm iespējama elektriskā trieciena riska dēļ.
 - Nekad nelietojiet gaisa nosūcēju bez pienācīgi instalētiem elektrotīkliem.
 - Gaisa nosūcēju nekad nedrīkst izmantot kā atbalsta virsmu, ja vien nav īpaši norādīts.
 - Izmantojiet tikai stiprinājuma skrūves, kas iekļautas komplektācijā ar izstrādājumu tā uzstādīšanai, vai arī, ja tās nav piegādātas, iegādājieties pareizā veida skrūves.

- Izmantojiet pareizā garuma skrūves, kas identificētas Uzstādīšanas rokasgrāmatā.
 - Šaubu gadījumā sazinieties ar pilnvarotu servisa palīdzības centru vai līdzīgu kvalificētu personu.
- ▲ UZMANĪBU!** Nelietojiet kopā ar atsevišķu programmētāju, taimerī, tālvadības pultī vai jebkuru citu ierīci, kas ieslēžas automātiski.

Sargājiet bērnus, kas ir jaunāki par 3 gadiem, no ierīces. Bez pastāvīgas pieauguša uzraudzības glabājiet ierīci bērniem, kas jaunāki par 8 gadiem, nepieejamā vietā.

▲ UZMANĪBU: ierīce nav paredzēta lietošanai ar ārēju ierīci vai atsevišķu tālvadības sistēmu.

▲ Šī ierīce nav domāta profesionālai lietošanai. Nelietojiet ierīci ārpus telpām.

▲ Lai izvairītos no miesas bojājumiem, ierīci ir jāpārvieto un jāuzstāda divām vai vairākām personām.

▲ Uzstādīšanu, ieskaitot jebkādas ūdensapgādes pieslēgumus (ja tādi ir jāveic), elektriskos savienojumus un remontdarbus ir jāveic kvalificētam personālam.

Kad uzstādīšana ir pabeigta, uzglabājiet iepakojuma materiālus (plastmasas daļas, polistirols utt.) bērniem nepieejamā vietā, lai izvairītos no nosmakšanas riska.

Nelietojiet ierīci, ja esat slapjš vai basām kājām.

Nekad neizmantojiet tvaika tīrītājus - pastāv elektriskās strāvas trieciena risks.



Iepakojuma materiāls ir 100% pārstrādājams, un itas r marķēts ar pārstrādes simbolu

Gaisa nosūcējam var būt estētiskie defekti, nekā tas ir uzrādīts šīs gramatiņas attēlos, bet jebkurā gadījumā, lietošanas, tehniskās apkopes un instalācijas instrukcijas paliek tādas pašas.

Stingri sekot instrukcijām, kas atrodas šajā rokasgrāmatā. Netiek uzņemta jebkāda atbildība par iespējamām grūtībām, kaitējumiem vai ugunsgrēkiem, kas var notikt ierīcei šīs rokasgrāmatas instrukciju neievērošanas gadījumā. Gaisa nosūcējs tika izveidots, lai iesūktu ēdiena gatavošanas dūmus un tvaikus un ir domāts tikai izmantošanai mājās apstākļos.

- Ir svarīgi saglabāt šo rokasgrāmatu, lai varētu ar to konsultēties jebkurā brīdī. Pārdošanas, nodošanas vai pārbraukšanas gadījumā, pārliecināties, ka paliek kopā ar produktu.
- Uzmanīgi izlasīt instrukcijas: ir svarīga informācija par instalēšanu, lietošanu un drošību.
- Neveikt elektriskas vai mehāniskas izmaiņas uz produkta vai izlādes caurulēm.
- Pirms sākt ierīces instalāciju, pārbaudīt, ka neviena sastāvdaļa nav bojāta. Pretējā gadījumā, sazināties ar pārdevēju un neveikt instalāciju.

• Minimālam attālumam starp plīts virsmu, kur tiek novietoti tilpumi un viszemākās gaisa nosūcēja daļas nav jābūt mazākam par 45cm elektriskās plīts gadījumā un 65cm gāzes un kombinētas virtuves gadījumā.

Gadījumā, ja ierīkošanas instrukcijās gāzes ierīcei tiek precizēts lielāks attālums, ir nepieciešams to ievērot.

ELEKTRĪBAS PIEVIENOŠANA

Tīkla spriegumam ir jāatbilst spriegumam, kurš ir atzīmēts uz īpašas etiķetes, kura atrodas gaisa nosūcēja iekšpusē. Ja nosūcējam ir kontaktdakša, pievienot to rozetei, kura atbilst pastāvošiem likumiem un atrodas pieejamā zonā arī pēc instalēšanas.

Ja gaisa nosūcējam nav kontaktdakšas (tieša pieslēgšana pie elektriskās sistēmas) vai arī kontaktdakša neatrodas pieejamā zonā, arī pēc instalēšanas, pielietot normām atbilstošu bipolāru slēdzi, kurš nodrošina pilnu atslēgšanu no tīkla sprieguma,

pārslodzes kategorijas III nosacījumos, saskaņā ar ierīkošanas likumiem.


▲ UZMANĪBU! pirms pieslēgt gaisa nosūcējau pie tīkla barošanas un pirms pārbaudīt tā pareizu darbošanos, vienmēr pārbaudīt ka tīkla kabelis ir ierīkots pareizi.

Ja kabelim nav spraudņa, pieslēdziet vadus atbilstoši šādai tabulai:

Tīkla spriegums un frekvence

Atsaucieties uz vērtību, kas ir norādīta uz etiķetes tvaiku nosūcēja iekšpusē.

Vadu pieslēgums

 : dzeltens/zajš
N : zils
L : brūns

Padeves vada nomainīšana

Gaisa nosūcējam ir īpaša barošanas caurule; caurules bojāšanās gadījumā, pieprasīt to tehniskās apskalpošanas servisam.

GAISA IZLĀDE

(iesūkšanas versijām)

Pievienot gaisa nosūcēju pie izvadīšanas sienas caurulēm un atvērumiem ar diametru, kas ir vienāds gaisa izejas diametram (savienošanas atloks).

Sienas izvadīšanas cauruļu un atvērumu izmantošana ar mazāku diametru, noteiks iesūkšanas rezultātu pazemināšanos un stipru trokšņu paaugstināšanos.

Tādēļ, tiek norādīta jebkura atbildība šajā sakarā.

! Izmantot garu cauruli, pēc iespējas mazāku.

! Izmantot cauruli ar pēc iespējas mazāk locījumiem (locījuma maksimālais leņķis: 90°).

! Izvairīties no curules diametra straujām izmaiņām.

! Uzņēmums noraida jebkāda veida atbildību gadījumā, ja šie normatīvi netiek ievēroti.

AR FILTRU VAI IESŪKŠANAS?

! Jūsu gaisa nosūcējs ir gatavs, lai to varētu izmantot iesūkšanas versijā.

Lai gaisa nosūcēju izmantotu versijā ar filtru, ir jāinstalē tam domātu PIEDERUMU KOMPLEKTU.

Šis rokasgrāmatas pirmajās lappusēs ir jāpārbauda vai PIEDERUMU KOMPLEKTS ir jau dots līdzī, vai arī tas ir jāiegādājas.

Piezīme: Ja tas ir dots līdzī, dažos gadījumos, uz gaisa nosūcēja jau varētu būt instalēta papildus filtrācijas sistēma uz aktīvo ogļu pamata.

Informācija par gaisa nosūcēja pārveidošanu no iesūkšanas versijas uz versiju ar filtru jau atrodas šajā rokasgrāmatā.

Iesūkšanas versija

Tvaiki tiek izvadīti uz ārpusi, caur izvadīšanas cauruli, kas ir piefiksēts pie atloksavienojuma.

! UZMANĪBU!

Evakuācijas caurule nav dota līdzī un tā ir jāiegādājas.

Izvadīšanas caurule diametram ir jābūt vienlīdzīgam ar savienošanas gredzena diametru.

! UZMANĪBU!

Ja gaisa nosūcējam ir ogļu filtri, tiem ir jābūt noņemtiem.

Versija ar filtru

Iesūktais gaiss tiek attaukots un deodorēts pirms tā nosūtīšanas telpā. Lai izmantotu gaisa nosūcēju šajā versijā, ir nepieciešams ierīkot papildus filtrēšanas sistēmu uz aktīvo ogļu pamata.

KOMANDAS

izmantot taustus, kuri atrodas uz nosūcēja priekšdaļas lai ieslēgtu gaismas un iesūkšanas motoru.



T1



T2



T3



T4



T5

Pirmais ātrums (T1)

Nospiediet **T1**, lai aktivizētu pirmo ātrumu. Ja funkcija ir aktivizēta, gaismas diode deg nepārtraukti. Lai tvaika nosūcēju izslēgtu, vēlreiz nospiediet **T1**.

Otrais ātrums (T2)

Nospiediet **T2**, lai aktivizētu otro ātrumu. Ja funkcija ir aktivizēta, gaismas diode deg nepārtraukti. Lai tvaika nosūcēju izslēgtu, vēlreiz nospiediet **T2**.

Trešais ātrums un BOOSTER (pastiprinātājs) (T3)

Ja tvaika nosūcējs ir deaktivizēts vai ir aktivizēts pirmais vai otrais ātrums, trešo ātrumu var aktivizēt, nospiežot pogu **T3** un gaismas diode deg nepārtraukti.

Nospiežot **T3** vēlreiz, ieslēdzas booster. Booster var aktivizēt tikai pēc tam, kad trešais ātrums jau ir aktivizēts. Ja booster ir ieslēgts, gaismas diode **T3** sāk mirgot. Kamēr darbojas booster, jūs varat pārslēgties uz pirmo vai otro ātrumu, nospiežot vēlām ātruma pogu **T1** vai **T2**, booster izslēgsies un izvēlētais ātrums tiks aktivizēts.

Ja booster ir ieslēgts, vēlreiz nospiediet **T3**, lai tvaika nosūcēju izslēgtu.

Pēc 5' booster automātiski izslēdzas, un trešais ātrums tiek aktivizēts automātiski.

Taimeris (T4)

Taimeris var aktivizēt, kad ir aktivizēts pirmais, otrais vai trešais ātrums. Ja funkcija ir aktivizēta, gan taimera gaismas diode (**T4**), gan iepriekš izvēlēta ātruma gaismas diode (**T1/T2/T3**) deg nepārtraukti.

Taimeris ilgst, atkarībā no izvēlēta ātruma:

Pirmais ātrums **T1 = ilgums 20'**

Otrais ātrums **T2 = ilgums 15'**

Trešais ātrums: **T3 = ilgums 10'**

Taimeris nevar aktivizēt, ja ir aktīvs booster. Laika beigās tvaika nosūcējs izslēdzas. Ja ir iestatīts viens ātrums, jūs varat pārslēgties uz citiem ātrumiem, nospiežot vēlamo ātruma pogu, šī darbība izslēdz taimeris.

Ja ātrums ir ierobežots, taimeris var deaktivizēt, nospiežot **T4**, vai vienu no pārējiem diviem neaktivajiem ātrumiem. Lai izslēgtu tvaika nosūcēju, vēlreiz nospiediet ātrumu, ar kādu iepriekš tika iestatīts laiks.

Gaisma (T5)

Gaismu var aktivizēt jebkurā laikā, nospiežot pogu **T5**. Ja funkcija ir aktivizēta, gaismas diode deg nepārtraukti.

Filtra iestatīšana

Filtra indikatoru var aktivizēt vai deaktivizēt tikai tad, ja tvaika nosūcējs ir izslēgts.

Lai piekļūtu konfigurācijas izvēlnei, ilgi nospiediet **T2+T3**, pēc tam, kad **T1** sāk mirgot.

Noklusējuma iestatījums ir:

– prettauku filtra indikators (**T2**) ieslēgts, tāpēc aktīvs;

– pretsmakas filtra indikators (**T3**) izslēgts, tāpēc nav aktīvs;

T2 aktivizē/deaktivizē tauku filtra indikatoru. **T3** aktivizē/deaktivizē smakas filtra indikatoru. Lai izietu no izvēlnes, ilgi nospiediet **T1** vai uzgaidiet 10''

Filtra atiestatīšana

Tvaika nosūcējs regulāri signalizē, ja filtriem nepieciešama apkope:

– prettauku filtram ik pēc **40 stundām**;

– pretsmakas filtram ik pēc **160 stundām**.

Šajā gadījumā, ja tvaika nosūcējs ir izslēgts, lietotājam pieskaroties jebkurai pogai, interfeiss signalizē par divu veidu vajadzībām pēc 10^{''}:

– ja mirgo **T1+T2: prettauku filtra apkope**;

– ja mirgo **T1+T3 : pretsmaku filtra apkope**.

10^{''} laikā ir iespējams atiestatīt prettauku filtru, nospiežot **T1+T2**, un atiestatīt pretsmaku filtru, nospiežot **T1+T3** Atiestatīšanas beigās pogu kombinācijas mirgo ātri divas reizes. Tagad interfeiss darbojas kā parasti.

Uzmanību:

10^{''} laikā tvaika nosūcējs darbojas normāli, bet nav ātruma pogu vizuālās atgriezeniskās saites. Ja 10^{''} laikā netiek veikta neviena darbība, gaismas diodes pārstāj mirgot un vizuālā atgriezeniskā saite atgriežas normālā stāvoklī.

TEHNISKĀ APKOPE

Tīrīšana

Tīrīšanai ir jāizmanto **TIKAI** mitrs audums, kurš ir samitrināts ar neitrāliem šķīdriem mazgāšanas līdzekļiem. **NELIETOT TĪRĪŠANAI RĪKUS VAI INSTRUMENTUS!**

Neizmantojiet jebkuru abrazīvus saturošu produktu. **NEIZMANTOT ALKOHOLU!**

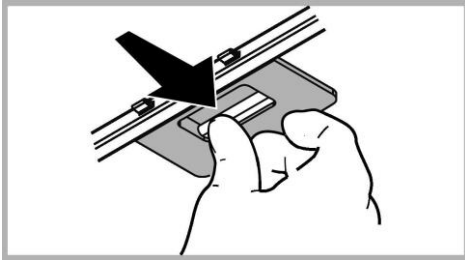
Perimetrālais iesūkšanas panelis

Tīrīt perimetrālo iesūkšanas paneli ar tādu pašu biežumu, kā prettauku filtru, izmantojot audumu un nepārāk koncentrētu mazgāšanas šķīdumu. Nekad neizmantojiet abrazīvās vielas.

Prettauku filtra tehniskā apkope

Notur tauku daļiņas, kas tiek veidotas no ēdiena pagatavošanas.

Prettauku filtram ir jābūt tīrītam katru mēnesi, ar neagresīviem līdzekļiem, manuāli vai trauku mazgājamā mašīnā, pie zemas temperatūras un izmantojot īso ciklu. Ja tas tiek mazgāts trauku mazgājamā mašīnā, prettauku filtra metāla detaļas var kļūt nespodras, bet jebkurā gadījumā to spējas nemainās. Lai noņemtu tauku filtru, ir jāvelk deblķēšanas atsperes rokturis.



Ogles filtra tehniskā apkope

Notur nepatīkamas smaržas, kuras veidojas no ēdiena gatavošanas.

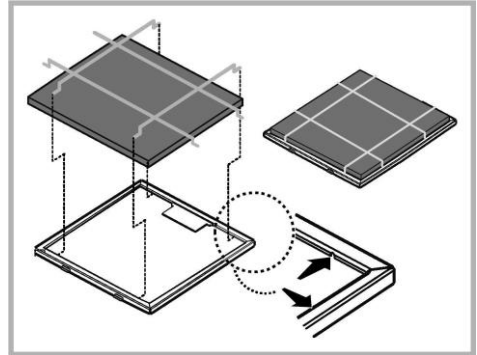
Paklāja filtrs (iekļauts komplektācijā ar produktu).

Ogļu filtrs var būt mazgāts katru otro mēnesi (vai kad filtru piesātināšanās norādīšanas sistēma – ja tādu paredz Jūsu modelis – uzrāda šādu nepieciešamību) karstā ūdenī un tam piemērotos mazgāšanas līdzekļos vai trauku mazgājamā mašīnā pie 65°C (trauku mazgājamās mašīnas gadījumā veikt pilnu mazgāšanas ciklu bez traukiem tajā).

Noņemiet ūdens pārpaliekas, nebojājot filtru, pēc kā novietot to plīti uz 10minūtēm, uz 100°C, lai to galīgi izžāvētu.

Nomainīt matracīti katru 3.gadu un katru reizi, kad audums ir bojāts.

Paklāja filtru var aizstāt ar aplveida kokogļu filtru.



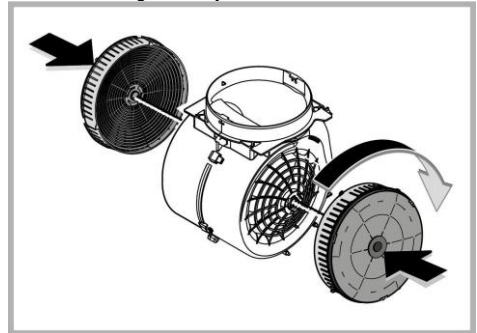
Cirkulārs ogļu filtrs

Pielietot vienu filtru katrai pusei, lai nosegtu dzinēja lāpstņiriteņa abus aizsardzības režģus, pēc tam pagrieziet pulksteņrādītāja virzienā.

Nomontēšanai pagrieziet pretēji pulksteņrādītāja virzienam.

Ogļu filtra piesātināšana notiek pēc vairāk vai mazāk ilgas izmantošanas, atkarībā no virtuves veida un tauku filtru tīrīšanas biežuma. Jebkurā gadījumā, ir nepieciešams nomainīt kartridžu katru ceturto mēnesi.

NEVAR būt mazgāts vai atjaunots.



Spuldžu nomaiņšana

Gaisa nosūcējs ir aprīkots ar apgaismošanas sistēmu, kas pamatojas uz LED tehnoloģiju.


LED nodrošina optimālu apgaismošanu, kas ilgst 10 reizes vairāk par tradicionālajām spuldzītēm un ļauj ietaupīt 90% elektriskās enerģijas.

Apgaismošanas sistēmu lietotājs nevar nomainīt, darbības traucējumu gadījumā sazinieties ar pēc pārdošanas servisu.

IZNĪCINĀŠANA

Šī ierīce atbilst Eiropas Direktīvai 2012/19/EC - UK SI 2013 No.3113, Waste Electrical And Electronic Equipment (WEEE). Pārliecinoties, vai šis produkts tiek izmests arī pareizā veidā, izmantotājs veicina izvairīšanos no negatīvajām sekām apkārtējai videi un veselībai.



Simbols  uz produkta vai uz pievienotās dokumentācijas nozīmē, ka ar šo produktu nav jārikojas, kā mājas atkritumam, bet tas ir jānogādā uz tam domātu savākšanas punktu, kur atkārtoti izlieto elektriskās un elektroniskās ierīces. Tas ir jāizmet, respektējot vietējos likumus, kas attiecas uz atkritumu aizvākšanu. Pēc papildus informācijas par produkta izmantošanu, apstrādi un atkārtotu izlietošanu, ir jāgriežas vietējā iestādē, kas nodarbojas ar attiecīgo jautājumu, atkritumu atkārtotās izlietošanas servisu, vai uz veikalu, kur produkts tika iegādāts.

Ierīce ir izstrādāta, pārbaudīta un ražota atbilstoši šādām prasībām.

- Drošība: EN/IEC 60335-1; EN/IEC 60335-2-31, EN/IEC 62233.
- Veiktspēja: EN/IEC 61591; ISO 5167-1; ISO 5167-3; ISO 5168; EN/IEC 60704-1; EN/IEC 60704-2-13; EN/IEC 60704-3; ISO 3741; EN 50564; IEC 62301.
- EMC: EN 55014-1; CISPR 14-1; EN 55014-2; CISPR 14-2; EN/IEC 61000-3-2; EN/IEC 61000-3-3.

Pareizas lietošanas ieteikumi, lai samazinātu ietekmi uz vidi. Ieslēdziet nosūcēju ar minimālo ātrumu, kad sākat gatavošanu un atstājiet to ieslēgtu pāris minūtes pēc tam, kad gatavošana ir pabeigta. Palieliniet ātrumu tikai tad, ja ir liels daudzums dūmu un tvaiku, un izmantojiet palielināto ātrumu (-us) tikai ārkārtējos gadījumos. Nomainiet ogles filtru (-s), ja nepieciešams, lai uzturētu labu smaku samazināšanas efektivitāti. Noīriiet tauku filtru (-s), ja nepieciešams, lai uzturētu labu tauku filtra efektivitāti. Izmantojiet vēdināšanas sistēmas maksimālo diametru, kas norādīts šajā rokasgrāmatā, lai uzlabotu efektivitāti un samazinātu troksni.



DARBOŠANĀS ANOMĀLIJAS

Ja Jums liekas, ka kaut kas nedarbojas, pirms zvanīt uz Tehniskās apkalpošanas servisu, veikt sekojošas vienkāršas pārbaudes:

- Ja gaisa nosūcējs nedarbojas:
Pārbaudīt, vai:
 - nav elektrības padeves pārtraukšanas;
 - tika izvēlēts ātrums.
- Ja gaisa nosūcējam ir zems darbības rezultāts:
Pārbaudīt vai:
 - Izvēlētais dzinēja ātrums ir pietiekošs atbrīvoto dūmu un tvaiku daudzumam;
 - Virtuve ir pietiekoši vēdināta, lai ļautu gaisa iepļūšanu.
 - Ogles fitrs nav nolietojies (gaisa nosūcējs versijā ar filtru).
- Ja gaisa nosūcējs izslēdzās normālās darbošanās laikā:
Pārbaudīt, vai:
 - nav elektrības pārtraukšanas.
 - vairākpolu slēdzis neizslēdzās.

Ja parādās darbošanās anomālijas, pirms vērsties uz Tehniskās Apkalpošanas centru, vismaz uz 5 sekundēm atvienojiet ierīci no elektrības, izņemot kontaktdakšu no kontaktligzdas un, pēc tam ievadot to atpakaļ. Gadījumā, ja darbošanās anomālija nepazūd, ir jāvēršas uz Tehniskās Apkalpošanas Centru.

TEHNISKIE DATI

Augstums (cm)	Platums (cm)	Gylis (cm)	Ø izplūdes caurulei (cm)
 71-104,5  79,5-104,5	59,8 - 79,8	32,6	15

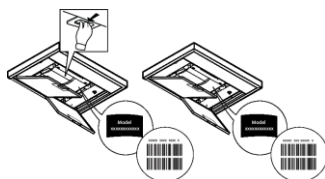


Sastāvdaļas, kas nav dotas līdzī ierīcei



Lai lejupielādētu drošības norādījumus, lietotāja rokasgrāmatu, tehnisko datu lapu un enerģijas datus:

- Apmeklējiet tīmekļa vietni docs.whirlpool.eu
- Izmantojiet QR kodu
- Vai sazinieties ar **Tehniskās palīdzības dienestu** (pa tālruna numuru, kas ir norādīts garantijas bukletā). Sazinoties ar Tehniskās palīdzības dienestu, norādiet produkta sērijas numuru, kas norādīts tehnisko datu plāksnītē.



OGÓLNE BEZPIECZEŃSTWO

- Przed każdym rozpoczęciem czyszczenia lub konserwacji należy odłączyć okap od zasilania elektrycznego poprzez wyciągnięcie wtyczki lub odłączenie głównego bezpiecznika pomieszczenia.
 - W trakcie wykonywania wszystkich prac instalacyjnych i konserwacyjnych należy używać rękawice robocze.
 - Urządzenie może być używane przez dzieci w wieku nie niższym niż 8 lat oraz osoby o ograniczonej zdolności fizycznej, czuciowej lub psychicznej lub pozbawione doświadczenia czy niezbędnej wiedzy, pod warunkiem, że pozostaną pod nadzorem lub zostaną poinstruowane o bezpiecznym używaniu urządzenia i rozumieją niebezpieczeństwa z nim związane. Dzieci powinny być pilnowane, aby nie bawiły się urządzeniem.
 - Czyszczenie i konserwacja nie może być wykonywana przez dzieci pozostawione bez opieki.
 - Pomieszczenie, w którym zainstalowany jest okap powinno posiadać odpowiednią wentylację, kiedy jest on używany jednocześnie z innymi urządzeniami zasilanymi gazem lub innymi paliwami.
 - Okap powinien być często czyszczony zarówno wewnątrz jak i na zewnątrz (PRZYNAJMNIEJ RAZ NA MIESIĄC), należy bezwzględnie przestrzegać wskazówek zawartych w instrukcji konserwacji. Nieprzestrzeganie zasad czyszczenia okapu oraz wymiany i czyszczenia filtrów może spowodować ryzyko powstania pożaru.
 - Jest surowo zabronione przygotowywanie posiłków z płomieniem pod okapem.
 - Aby wymienić lampkę należy użyć wyłącznie ten rodzaj lampki, który został wskazany w rozdziale konserwacja/wymiana lampki w niniejszej instrukcji. Używanie wolnego płomienia jest szkodliwe dla filtrów i może spowodować pożary, dlatego należy tego unikać w każdym przypadku. Smażenie musi być wykonywane pod kontrolą, aby uniknąć zapalenia się rozgrzanego oleju.
- UWAGA: Kiedy powierzchnia do gotowania jest włączona dostępne części okapu mogą się rozgrzać.
- Nie podłączać urządzenia do sieci elektrycznej dopóki instalacja nie zostanie całkowicie zakończona.
 - Jeśli chodzi o normy techniczne i bezpieczeństwa, których należy przestrzegać podczas wydalania oparów należy rygorystycznie przestrzegać zasad przewidzianych w regulaminie właściwych organów lokalnych.
 - Zasyrane powietrze nie może być przekazane do kanału używanego do wydalania oparów wytworzonych przez urządzenia spalania gazów lub innych paliw.
- ▲ UWAGA!** Niezainstalowanie śrub i urządzeń mocujących zgodnie z instrukcją może spowodować zagrożenia natury elektrycznej.
- Nie należy używać ani pozostawiać okapu pozbawionego poprawnie zamontowanych

lampek w związku z możliwością porażenia prądem.

- Nigdy nie używać okapu bez poprawnie zamontowanej kratki!
- Okap nie może być NIGDY używany, jako płaszczyzna oparcia, o ile nie zostało to wyraźnie wskazane.
- Należy używać do instalacji wyłącznie śrub mocujących będących na wyposażeniu z produktem lub jeśli ich nie ma na wyposażeniu, zakupić właściwy rodzaj śrub.
- Używać śrub o odpowiedniej długości, które są opisane w Przewodniku do instalacji.
- W razie wątpliwości, skontaktować się z jednoosobnym autoryzowanym centrum obsługi lub z wykwalifikowanym personelem.

▲ UWAGA! Nie stosować w połączeniu z oddzielnym programatorem, timerem, zdalnym sterowaniem lub każdym innym urządzeniem, które uaktywnia się automatycznie.

Trzymać dzieci poniżej 3 roku życia z dala od urządzenia. Bez ciągłego nadzoru osoby dorosłej, trzymać urządzenie z dala od dzieci poniżej 8 roku życia.

▲ UWAGA: urządzenie nie jest przeznaczone do uruchamiania za pomocą urządzenia zewnętrznego lub oddzielnego systemu zdalnego sterowania.

▲ Omawiane urządzenie nie jest przeznaczone do użytku profesjonalnego. Nie używać urządzenia na zewnątrz.

▲ Aby uniknąć ryzyka obrażeń, urządzenie powinny instalować i przenosić dwie osoby.

▲ Montaż, który obejmuje również ewentualne połączenia do zasilania wodą (jeżeli przewidziane) oraz podłączenia elektryczne jak również interwencje naprawcze może być wykonywany wyłącznie przez wykwalifikowany personel.

Po zainstalowaniu, przechowywać materiał opakowaniowy (plastikowe elementy, styropian itd.) poza zasięgiem dzieci, aby uniknąć ryzyka uduszenia.

Nie używać urządzenia, gdy ciało i ręce są mokre lub w golych stopach.

Nigdy nie używać parowych urządzeń czyszczących – ryzyko porażenia prądem.



Materiał opakowaniowy nadaje się w 100% do recyklingu i jest oznaczony symbolem

Okap może różnić się pod względem wyglądu od okapu przedstawionego na rysunkach niniejszej instrukcji, ale zalecenia dotyczące obsługi, konserwacji i montażu pozostają niezmienione.

Przy przeprowadzaniu instalacji urządzenia należy postępować według wskazówek podanych w niniejszej instrukcji. Producent uchyla się od wszelkiej odpowiedzialności za uszkodzenia wynikłe na skutek instalacji niezgodnej z informacjami podanymi w niniejszej instrukcji. Okap służy do zasysania oparów kuchennych i jest przeznaczony wyłącznie do użytku domowego.

- Należy zachować instrukcję obsługi aby móc z niej skorzystać w każdej chwili. W przypadku sprzedaży urządzenia lub przeprowadzki, należy upewnić się, że dołączono do niego instrukcję obsługi.
- Uważnie zapoznać się z treścią instrukcji obsługi, która dostarcza dokładne informacje dotyczące instalacji, użytkowania i pielęgnacji urządzenia..
- Nie dokonywać zmian elektrycznych czy mechanicznych w urządzeniu lub na przewodach odprowadzających.
- Przed przystąpieniem do montażu urządzenia należy sprawdzić czy któraś z jego części składowych nie jest uszkodzona. Jeśli tak, należy skontaktować się ze sprzedawcą i zaprzestać kontynuowania instalacji.

• Minimalna odległość między powierzchnią, na której znajdują się naczynia na urządzeniu grzejnym a najniższą częścią okapu kuchennego powinna wynosić nie mniej niż 45cm w przypadku kuchenek elektrycznych i nie mniej niż 65cm w przypadku kuchenek gazowych lub typu mieszanego.

Jeżeli w instrukcji zainstalowania kuchni gazowej podana jest większa odległość, należy

dostosować się do takich wskazań.

POŁĄCZENIE ELEKTRYCZNE

Napięcie sieciowe musi odpowiadać napięciu wskazanemu na tabliczce umieszczonej w wewnętrznej części okapu. Jeśli okap jest wyposażony we wtyczkę, należy ją podłączyć do gniazdka zgodnego z obowiązującymi normami i umieszczonego w łatwo dostępnym miejscu, również po zakończonej instalacji.

Jeśli okap nie jest wyposażony we wtyczkę (bezpośrednie podłączenie do sieci) lub wtyczka nie znajduje się w łatwo dostępnym miejscu, również po zakończonej instalacji, należy zastosować znormalizowany wyłącznik dwubiegunowy, który umożliwi całkowite odcięcie od sieci elektrycznej w warunkach nadprądowych kategorii III, zgodnie z zasadami instalacji.


▲ UWAGA! Przed ponownym podłączeniem obwodu okapu do zasilania i sprawdzeniem poprawności jego działania należy się zawsze upewnić, czy przewód zasilający jest prawidłowo zamontowany.

Jeżeli kabel nie jest wyposażony we wtyczkę, należy podłączyć przewody zgodnie z poniższą tabelą:

Napięcie sieciowe i jego częstotliwość

Sprawdzić wartość wskazaną na tabliczce danych, znajdującej się wewnątrz okapu.

Podłączenie przewodu

 : żółty/zielony

N : niebieski

L : brązowy

Wymiana kabla zasilającego

Okap jest wyposażony w specjalny przewód zasilający.

W razie uszkodzenia tego przewodu, należy go zamówić w biurze obsługi serwisowej.

ODPROWADZANIE POWIETRZA

(dla wersji zasysających)

Podłączyć okap do przewodu wentylacyjnego rurą odprowadzającą o średnicy odpowiadającej rozmiarowi wylotu z okapu (kolnierz łączeniowy).

Użycie przewodów o mniejszym przekroju powoduje zmniejszenie zdolności zasysania oraz drastyczne zwiększenie hałaśliwości okapu.

Producent, zatem, nie ponosi żadnej odpowiedzialności za ten stan.

! Używać jak najkrótszego przewodu.

! Używać przewodu o jak najmniejszej liczbie zagięć (maksymalny kąt zagięcia: 90°).

! Unikać radykalnych zmian przekroju przewodu.

! Producent nie ponosi żadnej odpowiedzialności w przypadku nie przestrzegania powyższych norm.

FILTRUJĄCY CZY ZASYSAJĄCY?

! Wasz okap gotowy jest do użytkowania w wersji zasysającej.

Aby używać okapu w wersji filtrującej należy zainstalować odpowiedni KOMPLET AKCESORIÓW.

Sprawdzić na pierwszych stronach niniejszej instrukcji czy KOMPLET AKCESORIÓW jest dostarczany na wyposażeniu czy też należy go zakupić oddzielnie.

Uwaga: Jeśli znajduje się na wyposażeniu, to w niektórych przypadkach, dodatkowy system filtrowania na bazie aktywnego węgla mógłby być już zainstalowany na okapie.

Informacje dotyczące transformacji okapu z wersji zasysającej na wersję filtrującą zostały umieszczone w niniejszej instrukcji.

Wersja zasysająca

Opary są usuwane na zewnątrz rurą odprowadzającą zamocowaną do kołnierza łączeniowego.

UWAGA!

Rura odprowadzająca nie jest dostarczona w komplecie z urządzeniem i należy ją zakupić. Średnica rury odprowadzającej musi być równa średnicy kołnierza łączeniowego.

UWAGA!

Jeśli okap jest zaopatrzony w filtry węglowe, to muszą one zostać zdjęte.

Wersja filtrująca

Aby używać okapu w tej wersji należy zainstalować filtr węglowy.

Można go kupić u sprzedawcy.

Zasysane powietrze jest oczyszczane z tłuszczu i zapachów zanim zostanie zwrócone do pomieszczenia przez kratki w górnej osłonie komina.

KOMENDY

Okap jest wyposażony w panel sterowania z regulacją prędkości zasysania i z wyłącznikiem oświetlenia płyty kuchennej.



Pierwsza prędkość (T1)

Wcisnąć **T1**, aby uaktywnić pierwszą prędkość. Po aktywacji funkcji, LED włączy się na stałe. Ponownie wcisnąć **T1**, aby wyłączyć okap.

Druga prędkość (T2)

Wcisnąć **T2**, aby uaktywnić drugą prędkość. Po aktywacji funkcji, LED włączy się na stałe. Ponownie wcisnąć **T2**, aby wyłączyć okap.

Trzecia prędkość i BOOSTER (wzmacniacz) (T3)

Gdy okap jest wyłączony lub jest aktywna pierwsza, lub druga prędkość, można uaktywnić trzecią prędkość wciskając przycisk **T3**; LED włączy się na stałe.

Ponowne wciśnięcie **T3** spowoduje włączenie funkcji booster. Funkcję Booster można uaktywnić tylko, gdy trzecia prędkość jest aktywna. Gdy funkcja booster jest włączona, LED **T3** zaczyna migać. Gdy funkcja booster jest aktywna, można przejść do pierwszej lub drugiej prędkości, wciskając odpowiedni przycisk **T1** lub **T2**, funkcja booster wyłączy się i zostanie uaktywniona wybrana prędkość.

Gdy funkcja booster jest włączona, ponownie wcisnąć **T3**, aby wyłączyć okap.

Po 5' funkcja booster wyłączy się automatycznie i uaktywni się trzecia prędkość.

Timer (T4)

Timer można uaktywnić, gdy jest aktywna pierwsza, druga lub trzecia prędkość. Gdy funkcja jest aktywna, zarówno LED Timera (**T4**) jak i LED wybranej wcześniej prędkości (**T1/T2/T3**) włączą się na stałe.

Czas trwania timera zależy od wybranej prędkości:

Pierwsza prędkość **T1 = czas trwania 20'**

Druga prędkość **T2 = czas trwania 15'**

Trzecia prędkość: **T3 = czas trwania 10'**

Timer nie może być uaktywniony, gdy funkcja booster jest aktywna. Po upływie czasu, okap wyłączy się, gdy prędkość jest ustawiona na czas, można przejść do innych prędkości wciskając odpowiedni przycisk. Taka czynność spowoduje wyłączenie timera.

Gdy jedna z prędkości jest ustawiona na czas, można dezaktywować timera wciskając **T4** lub jedną z dwóch nieaktywnych prędkości. Aby wyłączyć okap, ponownie wcisnąć prędkość, do której była wcześniej przypisane ustawienie czasu.

Oświetlenie (T5)

W każdej chwili można uaktywnić oświetlenie, wciskając przycisk **T5**. Po aktywacji funkcji, LED włączy się na stałe.

Ustawienie filtra

Można uaktywnić lub dezaktywować wskaźniki filtra tylko na wyłączonym okapie.

Aby wejść do menu konfiguracji, wcisnąć na chwilę **T2+T3**, po wejściu do menu **T1** zaczniesz migać.

Ustawienie domyślne jest następujące:

- **filtr przeciwłuszczy** wskaźnik (**T2**) włączony, czyli aktywny;
- **filtr przeciwzapachowy** wskaźnik (**T3**) wyłączony, czyli nieaktywny.

T2 aktywuje/dezaktywuje wskaźnik filtra przeciwłuszczy. **T3** aktywuje/dezaktywuje wskaźnik filtra przeciwzapachowego. Aby wyjść z menu, na chwilę wcisnąć **T1** lub poczekać **10"**

Przywrócenie filtra

W regularnych odstępach czasu okap wskazuje konieczność przeprowadzenia konserwacji filtrów:

- filtr przeciwłuszczy co **40 godzin**;
- filtr przeciwzapachowy co **160 godzin**.

W takim przypadku, z wyłączonym okapem, gdy użytkownik dotknie jakiegokolwiek przycisku, interfejs będzie wskazywał przez **10"** dwa rodzaje koniecznej czynności:

- jeżeli **T1+T2** migają: **konserwacja filtra przeciwłuszczy**;
- jeżeli **T1+T3** migają: **konserwacja filtra przeciwzapachowego**.

Podczas **10"** można przywrócić filtr przeciwłuszczy wciskając **T1+T2** i przywrócić filtr przeciwzapachowy wciskając **T1+T3**. Po przywróceniu, kombinacje przycisków szybko migną dwa razy. W tym momencie interfejs działa normalnie.

Uwaga:

W ciągu **10"**, okap działa normalnie, ale nie ma wzrokowych feedback na przyciskach prędkości. Jeżeli w ciągu **10"** nie zostanie wykonana żadna czynność, LED przestaną migać i wzrokowe feedback wrócą do normalnego stanu.

KONSERWACJA

Czyszczenie

Do czyszczenia używać **WYŁĄCZNIE** szmatki nawilżonej płynnymi neutralnymi środkami czyszczącymi. **DO CZYSZCZENIA NIE NALEŻY UŻYWAĆ NARZĘDZI ANI PRZYRZĄDÓW !** Unikać stosowania produktów zawierających środki ściernie. **NIE STOSOWAĆ ALKOHOLU !**

Panel zasysania obwodowego

Panel zasysający powinien być czyszczony z taką samą częstotliwością co filtr przeciw tłuszczowy, należy użyć szmatki namoczonej w niezbyt stężonym płynnym detergencie. Nie należy nigdy używać substancji ściernych.

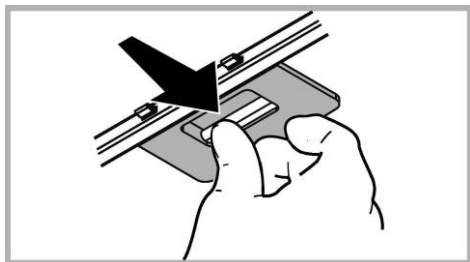
Konserwacja filtrów przeciw tłuszczowych

Zatrzymuje cząstki tłuszczu pochodzące z gotowania.

Musi być czyszczony co najmniej raz w miesiącu, za pomocą środka czyszczącego nie żrącego, ręcznie lub w zmywarce w niskiej temperaturze i krótkim cyklu mycia.

Mycie w zmywarce metalowego filtra tłuszczowego może spowodować jego nieznaczne odbarwienie, to jednak nie pogarsza parametrów jego pracy.

Aby wyjąć filtr tłuszczowy należy pociągnąć za klamkę sprężynową.



Konserwacja filtra węglowego

Zatrzymuje przykre zapachy pochodzące z gotowania.

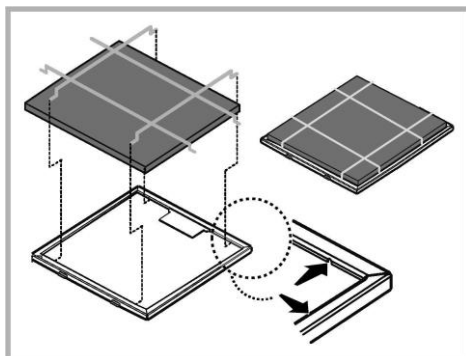
Matą filtrującą (w wyposażeniu produktu)

Filtr węglowy może być myty co dwa miesiące (lub, gdy system odczytujący nasycenie filtra wskaże taką konieczność – jeżeli taki system wchodzi w stan wyposażenia posiadanego okapu) ciepłą wodą z dodatkiem odpowiednich detergentów lub w zmywarce w temperaturze 65°C (w przypadku mycia w zmywarce wykonać pełny cykl mycia zmywarki bez naczyń wewnątrz).

Usunąć nadmiar wody, zwracając uwagę, aby nie uszkodzić filtra, a następnie umieścić filtr w piekarniku na 10 minut w temperaturze 100°C celem całkowitego wysuszenia.

Filtr należy wymieniać co 3 lata lub w przypadku stwierdzenia uszkodzenia materiału.

Matę filtrującą można wymienić na Filtr węglowy okrągły.



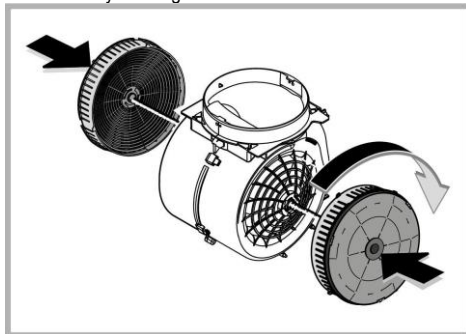
Filtr węglowy okrągły

Założyć po jednym filtrze z każdego boku tak, aby zakryć ochronną kratkę wnika silnika, po czym obrócić w kierunku zgodnym z ruchem wskazówek zegara.

Aby zdemontować, obrócić w kierunku przeciwnym do ruchu wskazówek zegara.

Nasycenie filtra następuje po krótszym lub dłuższym okresie użytkowania w zależności od rodzaju kuchni i od regularności z jaką jest wykonywane czyszczenie filtra tłuszczowego. Wkład filtra powinien być w każdym razie wymieniony po upływie nie więcej niż czterech miesięcy.

NIE wolno myć lub regenerować filtra.



Wymiana żarówek

Okap zaopatrzony jest w system oświetlenia, który bazuje się na technologii LED.

LED gwarantują optymalne oświetlenie, trwałość 10 razy większą od lamp tradycyjnych i pozwalają zaoszczędzić 90% energii elektrycznej.


Użytkownik nie może wymieniać systemu oświetlenia, w razie nieprawidłowości należy skontaktować się z serwisem obsługi.

ZŁOMOWANIE

Niniejsze urządzenie posiada oznaczenia zgodnie z Dyrektywą Unijną 2012/19/EC - UK SI 2013 No.3113 w sprawie zużytego sprzętu elektrycznego i elektronicznego (WEEE).

Zapewniając prawidłowe złomowanie niniejszego urządzenia, przyczynią się Państwo do ograniczenia ryzyka wystąpienia negatywnego wpływu produktu na środowisko i zdrowie ludzi, które mogłoby zaistnieć w przypadku niewłaściwej utylizacji urządzenia.



Symbol  na urządzeniu lub opakowaniu oznacza, że tego produktu nie można traktować jak innych odpadów komunalnych. Należy oddać go do właściwego punktu zbiórki i recyklingu sprzętów elektrycznych i elektronicznych.

Właściwa utylizacja i złomowanie pomaga w eliminacji niekorzystnego wpływu złomowanych urządzeń na środowisko oraz zdrowie. Aby uzyskać szczegółowe dane dotyczące możliwości recyklingu niniejszego urządzenia, należy skontaktować się z lokalnym urzędem miasta, służbami oczyszczania miasta lub sklepem, w którym produkt został zakupiony.

Urządzenie zostało zaprojektowane, przetestowane i wyprodukowane zgodnie z następującymi warunkami:

- Bezpieczeństwo: EN/IEC 60335-1; EN/IEC 60335-2-31, EN/IEC 62233.
- Wydajność: EN/IEC 61591; ISO 5167-1; ISO 5167-3; ISO 5168; EN/IEC 60704-1; EN/IEC 60704-2-13; EN/IEC 60704-3; ISO 3741; EN 50564; IEC 62301.
- EMC: EN 55014-1; CISPR 14-1; EN 55014-2; CISPR 14-2; EN/IEC 61000-3-2; EN/IEC 61000-3-3.

Sugestie dotyczące prawidłowego użytkowania w celu zmniejszenia wpływu na środowisko:

Włączyć okap na minimalne obroty w momencie rozpoczęcia gotowania i zostawić go włączony przez kilka minut po zakończeniu gotowania. Zwiększać obroty jedynie w przypadku dużej ilości dymu i pary oraz używać wysokich obrotów tylko w ekstremalnych sytuacjach. W razie potrzeby wymienić filtr/filtry węglowe, aby utrzymać dobrą skuteczność redukcji zapachów. W razie konieczności wyczyścić filtr/filtry smaru, aby utrzymać dobrą wydajność filtra smaru. Używać maksymalnej średnicy systemu wentylacyjnego wskazanej w niniejszej instrukcji, w celu optymalizacji wydajności i minimalizacji hałasu.



NIEPRAWIDŁOŚCI FUNKCJONOWANIA

Jeśli wydaje się, że coś nie działa prawidłowo, przed wezwaniem Serwisu Technicznego, należy wykonać następujące proste kontrole:

- Jeśli okap nie działa:
Sprawdzić czy:
 - nie nastąpiło przerwanie dopływu prądu.
 - została wybrana jakaś prędkość działania.
- Jeśli okap ma słabą wydajność:
Sprawdzić czy:
 - Wybrana prędkość silnika jest wystarczająca dla uwolnionej ilości dymu i oparów.
 - Kuchnia jest wystarczająco przewietrzona pozwalając na pobór powietrza.
 - Filtr węglowy nie jest zużyty (okap w wersji filtrującej).
- Jeśli okap wyłączył się w trakcie normalnego funkcjonowania:
Sprawdzić czy:
 - nie nastąpiło przerwanie dopływu prądu.
 - nie wyskoczył główny wyłącznik.

W przypadku ewentualnych nieprawidłowości działania, przed wezwaniem Serwisu Technicznego, należy przez przynajmniej 5 sekund odłączyć urządzenie od zasilania elektrycznego poprzez wyciągnięcie wtyczki a następnie ponownie je podłączyć. Jeśli nieprawidłowości dalej będą miały miejsce, należy zwrócić się do Serwisu Technicznego.

DANE TECHNICZNE

Wysokość (cm)	Szerokość (cm)	Głębokość (cm)	Średnica przewodu odprowadzającego (cm)
 71-104,5	59,8 - 79,8	32,6	15
 79,5-104,5			

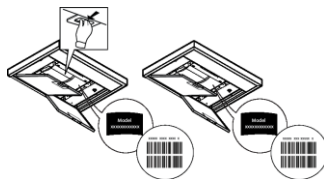


Komponenty niebędące na wyposażeniu razem z produktem



Instrukcje bezpieczeństwa, instrukcję obsługi, karta produktu oraz parametry poboru energii można pobrać:

- Odwiedzając naszą stronę internetową docs.whirlpool.eu
- Używając kodu QR
- Można również **skontaktować się z Centrum pomocy technicznej** (Patrz numer telefonu na karcie gwarancyjnej). Kontaktując się z naszym serwisem technicznym, należy podać kody z tabliczki znamionowej urządzenia.



ОБЩА БЕЗОПАСНОСТ

- Преди каквато и да било операция, свързана с почистването или поддръжката, изключете аспиратора от ел. мрежата, като извадите щепсела от контакта или изключите главния прекъсвач в жилището.
 - При извършване на всички операции свързани с инсталирането и поддръжката, използвайте работни ръкавици.
 - Уредът може да бъде използван от деца на възраст не по-ниска от 8 години и от лица с ограничени физически, сетивни или умствени възможности или хора без опит или необходимите познания, но при условие че са под наблюдение или след като са получили необходимите инструкции за безопасно използване на уреда и свързаните с него опасности.
 - Не позволявайте на децата да си играят с уреда!
 - Почистването и поддръжката не трябва да се извършва от деца без наблюдението на възрастен.
 - Помещението трябва да разполага с достатъчна вентилация когато аспираторът се използва едновременно с други уреди на газ или друг вид гориво.
 - Аспираторът трябва да се почиства често както отвътре така и отвън (ПОНЕ ВЕДНЪЖ В МЕСЕЦА).
 - Придържайте се към инструкциите посочени в наръчника за поддръжка!
 - Неспазването на инструкциите за почистване на аспиратора и за подмяна и почистване на филтрите води до риск от пожар.
 - Строго забранено е приготвянето на ястия фламбе под аспиратора.
 - За да подмените лампите, използвайте само тези, които са посочени в раздел „Поддръжка/подмяна на лампите“, както е посочено в настоящия наръчник за експлоатация.
- Използването на открит пламък е вредно за филтрите и може да предизвика пожар, затова трябва на всяка цена да се избягва.
- Приготвянето на пържени храни трябва да се извършва под наблюдение, тъй като сгорешеното олио може да се възпламени.
- ВНИМАНИЕ:** Когато готварският плот работи, достъпните части на аспиратора могат да се нагорещат.
- Не свързвайте уреда към ел. мрежата докато не сте приключили окончателно с монтажа.
 - Що се отнася до техническите размери и мерките за безопасност, които трябва да предприемете за отвеждането на димните газове навън, Ви препоръчваме да се придържате стриктно към правилата, предвидени в регламентите на компетентните местни власти.
 - Аспирираният въздух не трябва да се насочва към тръбопроводите, които се използват за отвеждане на димните газове, отделящи се при използването на уреди работещи с газ или друг вид гориво.

▲ ВНИМАНИЕ! Неинсталирането на болтовете и механизмите за фиксиране в съответствие с настоящите инструкции може да доведе до рискове от електрическо естество.

- Не използвайте и не оставяйте аспиратора без правилно монтирани лампички поради евентуален риск от токов удар.
- Никога не използвайте аспиратора без правилно монтирана решетка!
- Аспираторът не трябва НИКОГА да се използва като опорен плот освен ако това не е специално указано.
- При монтажа използвайте само фиксиращите болтове, които са доставени заедно с уреда или ако няма такива, закупете подходящи болтове.
- Използвайте болтове с подходяща дължина, както е посочено в наръчника за инсталиране.
- При наличие на съмнения, моля свържете се с оторизирания сервиз за техническо обслужване или квалифициран персонал.

▲ ВНИМАНИЕ! Не използвайте с програматор, таймер, отделно дистанционно управление или каквото и да е друго устройство, което се активира автоматично.

Дръжте децата под 3 годишна възраст далеч от уреда. Без непрекъснато наблюдение на възрастен, съхранявайте уреда далеч от деца на възраст под 8 години.

▲ ВНИМАНИЕ: уредът не е предназначен да функционира чрез външно устройство или отделна система за дистанционно управление.

▲ Този уред не е предназначен за професионална употреба. Не използвайте уреда на открито.

▲ За да избегнете риск от нараняване на хора, този уред трябва да бъде преместван и инсталиран от двама или повече човека.

▲ Инсталирането, включващо евентуални съединения за водно захранване (ако е предвидено), електрически свързвания, и операциите, свързани с ремонт трябва да се извършват от квалифициран персонал.

Като приключи инсталирането, съхранявайте опаковъчния материал (пластмасови части, полистирол и т.н.) далеч от деца, за да се избегне риск от задушаване.

Не използвайте уреда, когато сте мокри или с боси крака.

Никога не използвайте парочистачки за почистване – риск от токов удар.

Опаковъчният материал се рециклира на 100% и е маркиран със символа за рециклиране



Аспираторът може да се различава външно от чертежите поместени в настоящото упътване, но независимо от това инструкциите за употреба, поддръжката и инсталирането са абсолютно същите.

Придържайте се стриктно към тук посочените инструкции. Фирмата не носи отговорност за евентуални неизправности, повреди или възпламеняване на уреда, възникнали в резултат на неспазване на инструкциите в настоящото упътване.

Аспираторът е проектиран за аспириране на дима и парата, които се отделят при готвене, и е предназначен само за битова употреба.

- Съветваме Ви да съхранявате настоящото упътване за да може да го използвате във всеки един момент. При продажба, отдаване под наем или преместване, упътването за употреба трябва да остане заедно с продукта.
- Прочетете внимателно инструкциите! Те съдържат важна информация относно инсталирането, употребата и мерките за безопасност.
- Забранено е нанасянето на електрически или механически изменения върху продукта и върху въздуховодните тръби!
- Преди да пристъпите към инсталирането на уреда, уверете се, че няма увредени части. Ако има такива, свържете се с търговския представител и не пристъпвайте към инсталиране.

• Минималното разстояние между повърхността, на която се поставят съдовете за готвене и най-ниската част на кухненския аспиратор, трябва да бъде не по-малко от 45cm в случай на електрически печки и не по-малко от 65cm, в случай на газови или комбинирани печки.

Ако в инструкциите на газовия уред за готвене е посочено по-голямо разстояние, то трябва да се има предвид.

ЕЛ. СВЪРЗВАНЕ

Напрежението в ел.мрежата трябва да отговаря на напрежението, което е посочено върху етикета с данните за аспиратора, поставен от вътрешната му страна. Ако е снабден с щепсел свържете аспиратора към контакт, съответстващ на действащите норми и намиращ се на лесно достъпно място дори и след приключване на монтажа. Ако не е снабден с щепсел (директно свързване към мрежата), или щепселът не е на достъпно място след приключване на монтажа, използвайте двуполюсен прекъсвач според нормите, така че да се осигури пълно изключване на мрежата при свръхнапрежение III, в съответствие с правилата за монтиране.

▲ ВНИМАНИЕ! Преди да свържете отново аспиратора към мрежата и да проверите дали функционира правилно, проверете дали кабелът е монтиран както трябва.

Ако кабелът не е оборудван с щепсел, свържете проводниците съгласно следната таблица:

Напрежение и честота на мрежата

Направете справка със стойността, посочена на етикета с характеристики вътре в аспиратора.

Свързване на кабелите



: жълт/зелен

N : син

L : кафяв

Подмяна на захранващия кабел

Аспираторът е снабден със специален кабел за захранване; в случай, че кабелът бъде увреден обърнете се към гаранционния сервиз за да получите нов.

ОТВЕЖДАНЕ НА ВЪЗДУХА

(за аспирираща версия)

Свържете аспиратора към въздуховодни тръби и отвори в стената. Диаметърът на тръбите трябва да съответства на диаметъра на съединителния фланец за отвеждане на въздуха.

Свързването към въздуховодни тръби и отвори с по-малък диаметър намалява капацитета на аспириране и увеличава значително шума по време на работа.

В тези случаи фирмата не поема никаква отговорност.

! Използвайте тръба с необходимата дължина.

! Използвайте тръба с възможно най-малко тръбни колена (с максимален ъгъл на извивка: 90°).

! Не променяйте рязко сечението на тръбите!

! Фирмата не поема никаква отговорност в случай на неспазване на настоящите норми.

ФИЛТРИРАЩА ИЛИ АСПИРИРАЩА ВЕРСИЯ?

! Аспираторът е готов за употреба във вариант на аспирираща версия.

За да използвате аспиратора във вариант на филтрираща версия е необходимо да инсталирате специалния ДОПЪЛНИТЕЛЕН КОМПЛЕКТ.

В началото на настоящия наръчник е посочено дали ДОПЪЛНИТЕЛНИЯТ КОМПЛЕКТ е доставен или трябва да бъде закупен отделно.

Бележка: Ако комплектът е вече доставен, имайте предвид, че в някои случаи допълнителната филтрираща система на базата на филтри с активен въглен може вече да е инсталирана върху аспиратора.

Информацията относно трансформирането на аспиратора от аспирираща във филтрираща версия се съдържа в настоящото ръководство.

Аспирираща версия

Парата се отвежда навън посредством въздуховодна тръба свързана със съединителния фланец.

ВНИМАНИЕ!

Въздуховодната тръба не е включена към аксесоарите и трябва да бъде закупена отделно.

Диаметърът на въздуховодната тръба трябва да отговаря на диаметъра на съединителния пръстен.

ВНИМАНИЕ!

Ако аспираторът е снабден с филтри с активен въглен, въпросните трябва да бъдат отстранени.

Филтрираща версия

Аспирираният въздух се пречиства и освежава преди да влезе отново в обръщение в помещението. За да използвате аспиратора в този вариант на работа трябва да инсталирате допълнителна филтрираща система на базата на филтри с активен въглен.

КОМАНДИ

Абсорбаторът разполага с команден панел с контрол на скоростите на засмукване и контрол на включването на светлината за осветяване на готварския плот.



Първа скорост (T1)

Натиснете **T1** за да активирате първата скорост. Когато функцията е активирана, LED индикаторът се включва с фиксирана светлина. Натиснете отново **T1** за да изключите аспиратора.

Втора скорост (T2)

Натиснете **T2** за да активирате втората скорост. Когато функцията е активирана, LED индикаторът се включва с фиксирана светлина. Натиснете отново **T2** за да изключите аспиратора.

Трета скорост и BOOSTER (усилвател) (T3)

Когато аспираторът е деактивиран или първата или втората скорост са активирани, третата скорост може да бъде активирана, чрез бутона **T3** и LED индикаторът се включва с фиксирана светлина.

Едно повторно натискане върху **T3**, ще се включи booster. Booster може да бъде активиран, единствено след като третата скорост, вече е активирана. Когато booster е включена, LED индикаторът **T3** ще започне да пулсира. Докато booster функционира, е възможно да се премине на първа или на втора скорост, чрез натискане на желаните бутон на скорост **T1** или **T2**, booster ще се изключи и избраната скорост ще бъде активирана.

Когато booster е включен, натиснете отново **T3** за да изключите аспираторът.

След 5' booster се изключва автоматично и третата скорост се активира автоматично.

Таймер (T4)

Таймерът може да бъде активиран, когато е активирана първа или втора или трета скорост. Когато функцията е активирана, както LED индикаторът на Таймера (T4) така и този на скоростта, избрана предварително (T1/T2/T3) се включват с фиксирана светлина.

Таймерът продължава да е активен, в зависимост от избраната скорост:

Първа скорост **T1 = продължителност 20'**

Втора скорост **T2 = продължителност 15'**

Трета скорост: **T3 = продължителност 10'**

Таймерът не може да бъде активиран, когато booster е активиран. След изтичане на времето, аспираторът се изключва.

Когато една скорост е с темпоризатор, може да се премине през други скорости, натискайки бутона на желаната скорост, тази операция ще изключи таймера.

Когато една скорост е с темпоризатор, таймерът може да бъде деактивиран, чрез натискане на **T4** или една от другите скорости, която не е активирана. За да изключите аспиратора, натиснете отново скоростта, на която преди това е бил приложен темпоризатор.

Светлина (T5)

Светлината може да бъде активирана във всеки един момент, чрез натискане на бутона T5. Когато функцията е активирана, LED индикаторът се включва с фиксирана светлина.

Настройка на филтър

Активирането или деактивирането на индикаторите на филтъра може да се извършва само при изключен аспиратор.

За достъп до менюто за конфигурация, натиснете продължително **T2+T3**, един път, в меню **T1** ще започне да пулсира.

Настройката по подразбиране е:

– **филтър срещу мазнини индикатор (T2)** включен, следователно е активиран;

– **филтър против миризми индикатор (T3)** изключен, следователно не е активиран.

T2 активира/деактивира индикатора на филтъра за мазнини. **T3** активира/деактивира индикатора на филтъра за миризми.

За излизане от менюто, натиснете продължително **T1** или изчакайте **10''**

Възстановяване на филтър

Аспираторът сигнализира на редовни интервали, че филтрите трябва да бъдат подложени на поддръжка:

– филтър срещу мазнини на всеки **40 часа**;

– филтър против миризми на всеки **160 часа**.

В този случай, когато аспираторът е изключен, когато потребителят докосне един произволен бутон, интерфейсът ще сигнализира за **10''** два типа необходимост:

– ако **T1+T2** пулсират: **поддръжка на филтъра срещу мазнини**;

– ако **T1+T3** пулсират: **поддръжка на филтър против миризми**.

По време на **10''** е възможно да се възстанови филтърът против мазнини, чрез натискане на **T1+T2** и да се възстанови филтъра срещу миризми, чрез натискане на **T1+T3**. След завършване на възстановяването, комбинациите от бутони ще мигат бързо два пъти. Интерфейсът сега ще работи, както обикновено.

Внимание:

По време на **10''**, аспираторът функционира нормално, но няма да има визуална обратна връзка за бутоните за скорост. Ако по време на **10''** не се извърши нито една операция, LED индикаторите ще спрат да пулсират и визуалната обратна връзка ще се върне към нормалното.

ПОДДРЪЖКА

Почистване

За почистването използвайте **ЕДИНСТВЕНО** кърпа, навлажнена с неутрални течни почистващи препарати. **НЕ ИЗПОЛЗВАЙТЕ ИНСТРУМЕНТИ ИЛИ ПРИБОРИ ЗА ПОЧИСТВАНЕ !**

Избягвайте препарати, които съдържат абразивни частици. **НЕ ИЗПОЛЗВАЙТЕ СПИРТ !**

Панел за периметрална аспирация

Почиствайте периметралния аспиращ панел толкова често, колкото почиствате филтъра за мазнини. За целта използвайте кърпа и слабо концентриран почистващ препарат. Не употребявайте никога препарати, които съдържат абразивни частици.

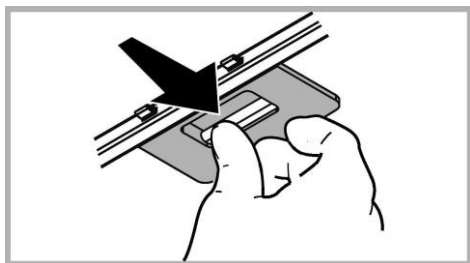
Поддръжка на филтрите за мазнини

Филтърът задържа мазните частици, отделени при готвене.

Почиства се веднъж месечно с неутрални препарати. Мие се ръчно или в съдомиялна машина на ниска температура и кратък режим на измиване.

При миене на филтъра за мазнини в съдомиялна машина е възможно той да се обезцвети, но това в никакъв случай не намалява способността му на филтриране.

За да разглобите филтъра за мазнините, дръпнете дръжката с пружинен механизъм.



Поддръжка на филтъра с активен въглен

Задържа неприятните миризми, които се отделят при пържене.

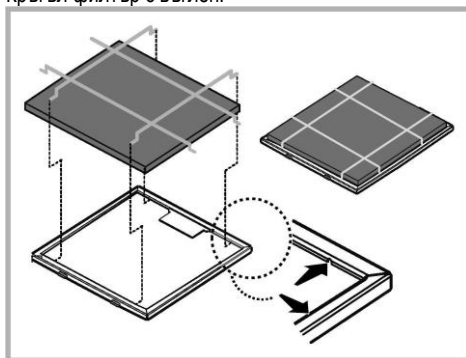
Филтър тип подложка (приложен към продукта).

Филтърът с активен въглен може да бъде почистван на всеки два месеца или когато индикаторът за насищане на филтрите (ако избраният от Вас модел е снабден с такъв) го показва. Мие се с топла вода и подходящи препарати или в съдомиялна машина на 65°C. Във втория случай в съдомиялната машина не трябва да има други съдове и трябва да се изпълни режима на измиване докрай.

Подсушете внимателно филтъра, след което го поставете във фурната за около 10 минути на 100°C .

Текстилните възглавнички на филтъра трябва да се подменят на всеки три години или ако повърхността им е увредена.

Филтърът тип подложка може да бъде заменен с Кръгъл филтър с въглен.



Кръгъл филтър с активен въглен

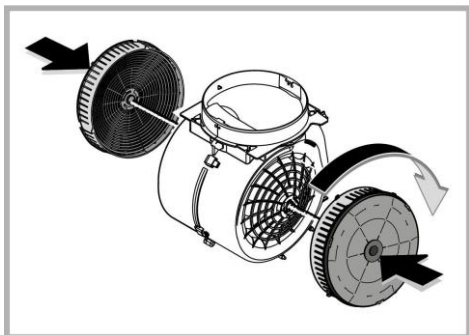
Поставете по един филтър от всяка страна, така че да се покрият двете предпазни решетки на работното колело на мотора, след което завъртете по посока на часовниковата стрелка.

При демонтажа завъртете в посока обратна на часовниковата стрелка.

Филтърът с активен въглен се запушва приблизително след дълъг период на използване в зависимост от начина на готвене и от това колко често почиствате филтъра .

Във всеки случай е необходимо да подмените филтъра с активен въглен на всеки четири месеца или когато индикаторът за засищане на филтрите показва, че е необходимо.

Не се мие нито може да се използва повторно.



Подмяна на лампите

Аспираторът разполага с осветителна система със СВЕТОДИОДИ.

СВЕТОДИОДИТЕ гарантират оптимално осветление, до 10 пъти по-силно от традиционните лампи и позволяват 90% икономия на електроенергия.

Системата за осветление не може да бъде заменена от потребителя, в случай на неизправности, свържете се с отдел техническо обслужване.


РЕЦИКЛИРАНЕ

Този уред отговаря на изискванията на :

- Европейската директива 2012/19/EC - UK SI 2013 No.3113
- Waste Electrical and Electronic Equipment (WEEE).

Уверявайки се, че този уред ще бъде рециклиран по подобаващият за това начин, Вие допринасяте за опазването на околната среда и вашето здраве.



Символът  върху уреда или в придружаващата го документация посочва, че този продукт не трябва да бъде считан за домашен отпадък, а трябва да бъде предаден в специално предназначени за това пунктове за рециклиране на електрическа и електронна техника. Придържайте се към местните нормативи за преработка на отпадъци. За по-подробна информация във връзка с предаването, събирането и рециклирането на този продукт ви съветваме да се обърнете към компетентните местни служби, службите за събиране на домашни отпадъци или магазинът, в който сте закупили този ел. уред.

Уредът е проектиран, тестван и произведен в съответствие с:

- Безопасност: EN/IEC 60335-1; EN/IEC 60335-2-31, EN/IEC 62233.
- Работни характеристики: EN/IEC 61591; ISO 5167-1; ISO 5167-3; ISO 5168; EN/IEC 60704-1; EN/IEC 60704-2-13; EN/IEC 60704-3; ISO 3741; EN 50564; IEC 62301.
- EMC - Електромагнитна съвместимост: EN 55014-1; CISPR 14-1; EN 55014-2; CISPR 14-2; EN/IEC 61000-3-2; EN/IEC 61000-3-3.

Предложения за правилна употреба, за да се намали въздействието върху околната среда: Включете (ON) аспиратора на минимална скорост, когато започнете да готвите и го оставете да работи няколко минути след приключване на готвенето. Увеличавайте скоростта само в случай на голямо количество дим и пари и използвайте увеличените скорости само в екстремни ситуации. Сменяйте филтъра/филтрите с активен въглен, когато е необходимо, за да поддържате добра ефективност на намаляване на миризмата. Почиствайте филтъра/филтрите за мазнини, когато е необходимо, за да поддържате добра ефективност на филтъра за мазнините. Използвайте максималния диаметър на системата за отвеждане на въздуха, посочен в това ръководство за оптимизиране на ефективността и за намаляване на шума.



НЕИЗПРАВНОСТ ВЪВ ФУНКЦИОНИРАНЕТО

Ако нещо не функционира както трябва, преди да се свържете с Техническото обслужване, направете някои семпли проверки:

- Ако аспираторът не функционира:
Проверете дали:
 - не е прекъснал тока;
 - е зададена някаква скорост.
- Ако аспираторът не засмуква достатъчно:
Проверете дали:
 - Избраната скорост е подходяща в зависимост от отделеното количество дим и пара.
 - Дали кухнята се проветрява достатъчно, за да се осигури обмяна на въздуха.
 - Филтърът с активен въглен не е износен (филтрираща версия).
- Ако аспираторът е изгаснал по време на работа:
Проверете дали:
 - не е прекъснал тока;
 - многополюсният прекъсвач не е изключил.

В случай на неизправност във функционирането, преди да се обърнете към техническия сервиз, изключете аспиратора от мрежата най-малко за 5 секунди, като извадите щепсела, след което го свържете отново. В случай, че неизправността все още е налице, обърнете се към гаранционния сервиз.

ТЕХНИЧЕСКИ ДАННИ

Височина (cm)	Широчина (cm)	Дълбочина (cm)	Ø на изпускателната тръба (cm)
 71-104,5	59,8 - 79,8	32,6	15
 79,5-104,5			

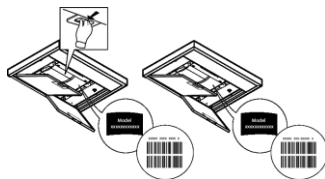


Компоненти, които не са включени към продукта



Можете да свалите инструкциите за безопасност, ръководството за потребителя и листовката с енергийните показатели на уреда, като:

- Посетите нашия уебсайт docs.whirlpool.eu
- Използвате QR кода
- Освен това можете да се свържете с отдела за следпродажбено обслужване (вижте телефонния номер в книжката за гаранцията). При контакт с отдела за следпродажбено обслужване на клиенти съобщавайте кодовете, посочени на заводската табелка на Вашия уред.



Загальні ПРАВИЛА 3 ТЕХНІКИ БЕЗПЕКИ

Перед початком будь якої операції по очищенню або обслуговуванню, відключіть витяжку від електричної сітки витягуючи вилку з розетки або відключаючи загальний вимикач приміщення.

- Для усіх операцій по установці та обслуговуванню використовуйте робочі рукавиці.
 - Пристрій може використовуватися дітьми не молодшими 8 років та особами із зниженими фізичними, сенсорними або розумовими здібностями, або з недостатнім досвідом якщо знаходяться під контролем, або були навчені використовувати пристрій в безпечній спосіб та якщо розуміють пов'язані з тим небезпеки.
 - Діти повинні бути під контролем і не повинні гратися з пристроєм.
 - Операції по чищенню та обслуговуванню не повинні проводитися дітьми без нагляду.
 - Приміщення повинно мати достатню вентиляцію коли витяжка використовується одночасно з іншими пристроями що працюють на газі або інших паливах.
 - Витяжку необхідно часто чистити як в середині, так і ззовні (ХОЧА Б ОДИН РАЗ НА МІСЯЦЬ), дотримуватися в будь якому випадку того, що вказується в інструкціях по обслуговуванню.
 - Не дотримання норм очищення та заміни і очищення фільтрів збільшує ймовірність ризику загоряння.
 - Суворо заборонено приготування їжі на відкритому вогні під витяжкою.
 - Для заміни лампочки освітлення використовувати тільки тип лампочки вказаний в розділі обслуговування/заміна лампочки цього посібника.
- Використання відкритого полум'я наносить збиток фільтрам і може призвести до загорання, тому потрібно уникати в будь якому випадку.
- Смаження повинно проводитися під наглядом щоб уникнути загоряння розливої олії.

УВАГА: Коли варильна поверхня працює, доступні частини можуть нагріватися.

- Не підключати пристрій до електричної сітки до тих пір, поки не буде повністю закінчена установка.
- Що стосується технічних мір та мір безпеки у використанні що відноситься до викидів парів, суворо дотримуйтеся норм місцевих компетентних органів.
- Повітря що втягується, не повинно випускатися в трубу яка використовується для викиду димів пристроями що працюють на газі та інших паливах.

▲ УВАГА! Не встановлювання відповідних гвинтів і пристроїв для фіксування у відповідності з цими інструкціями може привести до ризиків електричного походження.

- Не використовувати або залишати витяжку без правильно встановлених лампочок з ризиком отримати удар електричним струмом.

- Ніколи не використовувати витяжку без правильно встановленої решітки!
 - Витяжка НІКОЛИ не повинна використовуватися як опорна поверхня, якщо тільки не вказується.
 - Використовувати гвинти для фіксування в наборі з продуктом для установки, якщо немає в наборі, придбати гвинти правильного типу.
 - Використовувати правильну довжину гвинтів яка вказується в посібнику по встановленню.
 - У випадку сумнівів, консультиватися в авторизованому центрі або з кваліфікованим персоналом.
- ▲ УВАГА!** Не слід використовувати з програматором, таймером, окремим пультом керування або з будь-яким іншим пристроєм, який приводиться в дію автоматично.

Тримати прилад подалі від дітей до 3 років. Зберігайте прилад у недоступному місці для дітей до 8 років, що не перебувають під постійним наглядом дорослих.

- ▲ УВАГА: прилад не призначений для роботи із зовнішнім пристроєм або окремою системою дистанційного керування.
 - ▲ Цей прилад не призначений для професійного використання. Не використовуйте пристрій на відкритому повітрі.
 - ▲ Щоб уникнути ризику травмування, прилад повинен переміщатися та встановлюватися двома або більше людьми.
 - ▲ Установка, включаючи також будь-які підключення водопостачання (якщо є) та електричні з'єднання, а також ремонтні роботи повинні виконуватися кваліфікованим персоналом.
- Після завершення установки відкладіть пакувальний матеріал (пластмасові деталі, полістирол тощо) поза досяжністю дітей, щоб уникнути ризику удушення. .

Не використовуйте прилад, якщо у вас вологі руки або босоніж.
Ніколи не використовуйте парові прилади для чищення - ризик ураження електричним струмом.

Пакувальний матеріал на 100% піддається переробці і позначений символом переробки



Кухонна витяжка може мати дизайн, що відрізняється від витяжки зображеної на малюнках цієї інструкції але в будь-якому випадку інструкції з монтажу, технічного обслуговування та експлуатації залишаються без змін.

Чітко дотримуйтеся приведених в даному керівництві інструкцій. Виробник знімає з себе будь-яку відповідальність за несправності, збитки або пожежу, що може мати місце при використанні пристрою внаслідок невиконання інструкцій, приведених в даному керівництві. Витяжний ковпак спроектований для всмоктування диму та пару, що утворюється під час приготування їжі та призначений лише для побутового використання..

- Важливо зберегти ці інструкції для того, щоб можна було звернутися до них в будь-який час. У випадку продажу, передачі чи переїзду, переконатися в тому щоб інструкції були разом з виробом.
 - Уважно прочитати інструкції: В них міститься важлива інформація з встановлення, використання та безпеки.
 - Заборонено виконувати електричні чи механічні зміни у виробі чи у вивідних каналах.
 - Перш ніж приступити до монтажу виробу перевірте чи всі компоненти без дефектів та не є пошкодженими. У протилежному випадку зверніться в місце продажу та зупиніть монтування виробу.
- Відстань нижньої відчастини витяжки до посуду на кухонній плиті має бути не менше 45cm, у випадку електричних плит, та 65 cm, у випадку газових та комбінованих плит.

Необхідно приймати до уваги відстані, які вказуються в інструкції з інсталяції газової плити.

ЕЛЕКТРИЧНЕ ПІД'ЄДНАННЯ

Напруга в електромережі має відповідати вказаним характеристикам на етикетці, яка знаходиться всередині витяжки. Якщо в комплект входить вилка під'єднання в електромережу, то слід під'єднати витяжку до розетки, що відповідає існуючим нормам та знаходиться в доступному місці, що можна виконати й після інсталяції. Якщо ж вилка не входить в комплект (пряме під'єднання в електромережу), або розетка не знаходиться в доступному місці, також і після інсталяції, то слід вмонтувати належний двох-полюсний вимикач, який забезпечить повне відключення від мережі в умовах перенапруги III категорії, в повній відповідності з правилами інсталяції.

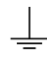
▲ УВАГА! перед тим як знову підключити витяжку до електромережі і перевірити правильність роботи, завжди контролюйте щоб шнур мережі був змонтований вірно.

Якщо кабель не оснащений вилкою, підключіть дроти згідно з наступною таблицею:

Напруга і частота мережі

Дивіться значення, вказане на табличці з даними всередині витяжки.

Підключення дротів

 : жовтий/зелений
N : синій
L : коричневий

Заміна електрокабеля

Витяжний ковпак має спеціальний провід живлення; у випадку пошкодження проводу, замовте його у службі технічного обслуговування.

ВИВІД ПОВІТРЯ

(для виконання з відводом) Під'єднати ковпак до настінної вивідної труби та вивідного отвору з однаковим діаметром виходу повітря (з'єднуючий фланець).

Використання настінних вивідних труб та отворів з меншим діаметром приведе до зменшення ефективності всмоктування та значне збільшення рівня шуму.

Тому ми знімаємо з себе будь-яку відповідальність по вищесказаному.

- ! Використовуйте найкоротший витяжний канал.
- ! Використовуйте витяжний канал з найменшою кількістю поворотів (максимальний кут повороту: 90°).
- ! Уникайте різких змін площі перерізу витяжного каналу.
- ! Підприємство знімає з себе будь-яку відповідальність, якщо дійсні

3 РЕЦИРКУЛЯЦІЄЮ ЧИ З ВІДВОДОМ

! Ваша витяжка готова до використання в режимі відводу.

Для того щоб використовувати витяжку в режимі рециркуляції необхідно встановити ДОДАТКОВИЙ КОМПЛЕКТ. Перевірте на перших сторінках даного посібника, чи входить ДОДАТКОВИЙ КОМПЛЕКТ у поставку або його необхідно придбати окремо.

Примітка: Якщо входить в поставку обладнання, в деяких випадках, додатковий комплект вугільних фільтрів може вже бути встановлений на витяжці.

Інформація щодо переведення витяжки з режиму відведення в режим рециркуляції вже входить у даний посібник.

Виконання з відводом

Пари виводяться назовні через вивідну трубу закріплену до фланця з'єднання.

УВАГА!

Вивідна труба не постачається і тому необхідно її придбати окремо.
Діаметр вивідної труби повинен відповідати діаметру з'єднувального кільця.

УВАГА!

Якщо витяжний ковпак має вугільні фільтри, то їх треба зняти.

Виконання з рециркуляцією

Втягнуте повітря знежирюється та очищується та знову повертається в приміщення. Для того, щоб використовувати ковпак у цьому режимі, необхідно встановити додаткову систему фільтрів з активованим вугіллям.

КОМАНДИ

Витяжка обладнана панеллю команд з контролем швидкості витягування та контролем світла для освітлення варильної поверхні.



T1



T2



T3



T4



T5

Перша швидкість (T1)

Натискуйте **T1** для включення першої швидкості. При включенні цієї функції, відповідний СІД спалахує і горить постійним світлом. Знову натискуйте на **T1** для виключення витяжного ковпака.

Друга швидкість (T2)

Натискуйте **T2** для включення другої швидкості. При включенні цієї функції, відповідний СІД спалахує і горить постійним світлом. Знову натискуйте на **T2** для виключення витяжного ковпака.

Третя швидкість і BOOSTER (ПІДСИЛЮВАЧ) (T3)

При вимкненому витяжному ковпаку, а також при включених першій або другій швидкості, можна включити третю швидкість натисненням кнопки **T3** і спалахне постійним світлом відповідний СІД.

Подальше натиснення на кнопку **T3** запустить booster. Booster може бути включений лише після того, як була включена третя швидкість. При включеному booster, СІД кнопки **T3** починає пульсувати. В ході роботи booster можна перейти до першої або другої швидкості шляхом натискання на кнопку відповідної швидкості **T1** або **T2**, підсилювач вимкнеться, а обрана швидкість включиться.

Для виключення витяжного ковпака при включеному booster, знову натисніть на кнопку **T3**.

Через **5 хвилин роботи** booster автоматично вимикається, а витяжка повертається до третьої швидкості.

Timer (Таймер) (T4)

Timer можна включати при включених першої, другої або третьої швидкості. Якщо ця функція включена, то СІД Timer (**T4**) і СІД раніше обраної швидкості (**T1/T2/T3**) будуть горіти постійним світлом.

Тривалість роботи timer залежить від обраної швидкості:

Перша швидкість **T1** = тривалість **20 хвилин**

Друга швидкість **T2** = тривалість **15 хвилин**.

Третя швидкість: **T3** = тривалість **10 хвилин**.

Неможливо включити timer, поки працює booster. Після закінчення часу витяжний ковпак вимикається. Коли одна з швидкостей працює з таймером, можна переключити на іншу натисканням кнопки потрібної швидкості. Ця операція вимкне таймер.

Коли одна з швидкостей працює з таймером, можна вимкнути timer натисненням кнопки **T4**, або ж натисненням кнопки будь-якої іншої не включеної швидкості. Для виключення витяжного ковпака натискуйте знову на кнопку тієї швидкості, до якої був застосований таймерний режим роботи.

Підсвічування (Т5)

Підсвічування може включатися в будь-який момент натисненням кнопки Т5. При включенні цієї функції, відповідний СІД спалахне і горить постійним світлом.

Налаштування фільтра

Включення і виключення індикаторів фільтра може здійснюватися лише у вимкненого витяжного ковпака.

Для доступу до меню конфігурації потрібно виконати довге натиснення на кнопки **Т2+Т3**. Після входу в меню **Т1** почне пульсувати.

Передвстановлене налаштування таке:

– **жироуловлювальний фільтр** індикатор (**Т2**) горить, тобто включений;

– **дезодоруючий фільтр** індикатор (**Т3**) не горить, тобто не включений.

Т2 включає / вимикає індикатор жироуловлювального фільтра. **Т3** включає / вимикає індикатор дезодоруючого фільтра. Для виходу з меню виконайте тривале натискання на кнопку **Т1** або почекайте **10 секунд**

Відновлення статусу фільтрів

Через певні інтервали витяжний ковпак сигналізує про необхідність техобслуговування фільтрів:

– жироуловлювальний фільтр кожні **40 годин**;

– дезодоруючий фільтр кожні **160 годин**.

У таких випадках, при вимкненому ковпаку, в момент дотику користувача будь-якої кнопки, інтерфейс буде сигналізувати протягом **10 секунд** про двох типах необхідних операцій:

– якщо **Т1+Т2** пульсують: **техобслуговування жироуловлювального фільтру**;

– якщо **Т1+Т3** пульсують: **техобслуговування дезодоруючого фільтру**.

Протягом 10 секунд можна скинути індикацію жироуловлювального фільтра натисненням **Т1+Т2** і індикацію дезодоруючого фільтра натисненням **Т1+Т3**. Після виконання цього скидання, комбінації цих кнопок швидко блимнуть двічі. Тепер інтерфейс функціонуватиме, як завжди.

Увага:

Протягом цих 10 секунд витяжний ковпак буде працювати нормально, але не буде візуального зворотного зв'язку на кнопках включення швидкостей. Якщо в ході цих 10 секунд не буде виконано жодних дій, СІДи перестануть пульсувати, і візуальний зворотний зв'язок повернеться до нормального режиму.

ТЕХНІЧНЕ ОБСЛУГОВУВАННЯ

Чищення

Для чистки використовуйте **ЛИШЕ** спеціальну серветку, намочену нейтральним рідким миючим засобом. **НЕ ВИКОРИСТОВУЙТЕ ЗАСОБІВ АБО ІНСТРУМЕНТІВ ДЛЯ ОЧИЩЕННЯ!**

Не використовуйте засоби що мають абразивні матеріали. **НЕ ВИКОРИСТОВУЙТЕ СПИРТ!**

Периметрична панель всмоктування

Чистити зовнішню панель всмоктування з однаковою частотою що і жировий фільтр, використовувати для цього серветку та не концентрований миючий засіб. Ніколи не використовувати абразивні речовини.

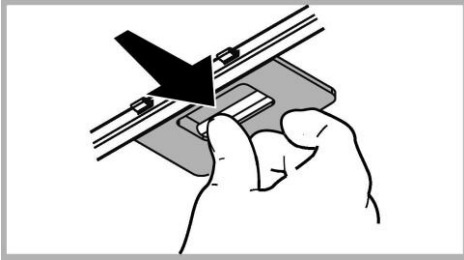
Обслуговування жирових фільтрів

Затримує жирові сполучення, що виникають під час приготування їжі.

Повинен чиститись один раз на місяць не сильнодіючими миючими засобами, вручну або в посудомийній машині при низькій температурі і з коротким циклом.

При митті в посудомийній машині металевий фільтр затримки жиру може втратити колір, але його характеристики з фільтрування жодним чином не зміняться.

Для зняття фільтра затримки жиру потягніть на себе пружинну ручку відчеплення фільтра.



Обслуговування вугільного фільтра

Вбирає неприємні запахи кухні.

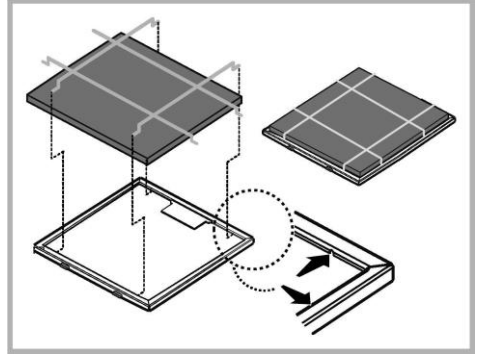
Фільтр-прокладка (в комплекті з продуктом).

Вугільний фільтр можна мити кожні два місяці (або коли система індикації переповнення фільтрів, якщо є у вашій моделі, вказує на дану необхідність) в теплій воді з відповідними миючими засобами або в посудомийчій машині при температурі 65°C (в останньому випадку, виконайте повний цикл миття без посуду всередині посудомийної машини).

Злити надлишкову воду без пошкодження фільтра, після чого знову поставити його у духовку на 10 хв. при 100° для повного осушування.

Подушку міняти раз на три роки, або ж кожного разу, коли тканина виявляється пошкодженою.

Фільтр-прокладку можна замінювати на круговий вугільний фільтр.



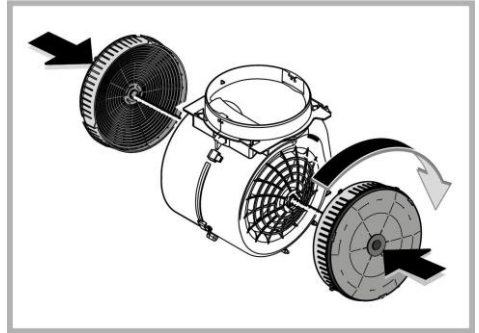
Круглий вугільний фільтр

Прикласти фільтри по обидві сторони для покриття захисних ришток ротора двигуна, після чого повернути фільтр за годинниковою стрілкою.

Для зняття - повернути фільтр проти годинникової стрілки.

Перевірка вугільного фільтра на насичення проводиться після більш менш довгого періоду використання в залежності від типу кухні і регулярності очистки фільтра жирів. У будь-якому випадку необхідно замінити патрон максимум кожні чотири місяці.

НЕ підлягає миттю чи поновленню.



Заміна лампочок

Витяжка обладнана системою освітлення на основі технології діодів (LED).


ДІОДИ забезпечують оптимальне освітлення, тривалість їх в 10 разів вища від звичайних лампочок та дають 90% економії електроенергії.

Користувач не може робити заміну системи підсвічування. У разі неполадок зв'яжіться зі службою технічної підтримки.

УТИЛІЗАЦІЯ

Даний виріб промаркований відповідно до Європейської директиви 2012/19/EC - UK SI 2013 No.3113, утилізація електричного і електронного обладнання (WEEE). Забезпечуючи вірну утилізацію цього виробу, Ви допоможете попередити потенційні негативні наслідки для оточуючого середовища і здоров'я людини, котрі могли б мати місце в протилежному випадку.



Символ  на самому виробі або на супроводжуючому його документі вказує, що при утилізації цього виробу з ним не можна поводитися як зі звичайними побутовими відходами. Він має здаватися у відповідний пункт прийому електричного і електронного обладнання для подальшої утилізації. Здавання на злам повинно виконуватися згідно з місцевими правилами по утилізації відходів. Для більше детальної інформації про правила поводження з такими виробами, їх утилізації і переробки звертайтеся в місцеві органи влади, в службу по утилізації відходів, або в магазин, в якому Ви придбали даний виріб.

Прилад спроектовано, випробувано і виготовлено згідно з:

- Безпека: EN/IEC 60335-1; EN/IEC 60335-2-31, EN/IEC 62233.
- Експлуатаційні якості: EN/IEC 61591; ISO 5167-1; ISO 5167-3; ISO 5168; EN/IEC 60704-1; EN/IEC 60704-2-13; EN/IEC 60704-3; ISO 3741; EN 50564; IEC 62301.
- EMC: EN 55014-1; CISPR 14-1; EN 55014-2; CISPR 14-2; EN/IEC 61000-3-2; EN/IEC 61000-3-3.

Поради для правильної експлуатації та для зниження впливу на середовище: Вмикайте витяжку на мінімальну швидкість перед початком приготування їжі, і залишайте її працювати на декілька хвилин після закінчення приготування. Збільшуйте швидкість тільки у разі великої кількості диму і пару та використовуйте наддув тільки у крайніх випадках. Для підтримання високої ефективності видалення запахів, за необхідності, виконуйте заміну вугільного(-их) фільтру(-ів). Для підтримання високої ефективності фільтру жирів, за необхідності, виконуйте чистку фільтру(-ів) жирів. Використовуйте максимальний діаметр системи повітроводів, що вказаний у інструкції для оптимізації ефективності та мінімізації шуму.



ЗБОЇ У ФУНКЦІОНУВАННІ

Якщо щось не працює належним чином, перед тим як звернутися в Службу по технічному обслуговуванню, виконайте наступні прості перевірки:

- Якщо витяжка не працює:
перевірити:
 - Чи не було перервано подачу струму.
 - Чи було обрано будь-яку швидкість.
- Якщо витяжка погано працює:
перевірити:
 - чи обрана швидкість двигуна достатня для виробленої кількості диму і пари.
 - Чи кухня достатньо провітрена для того, щоб витяжка могла виконати забір повітря.
 - Чи вугільний фільтр не відпрацьований (витяжка в режимі з рециркуляцією повітря).
- Якщо витяжка вимкнулася в ході нормальної роботи:
перевірити:
 - Чи не було перервано подачу струму.
 - Чи не спрацював однополюсний вимикач апарату.

У разі можливих збоїв у роботі, перед тим як звернутися до служби технічного обслуговування відключити від електроживлення апарат мінімум на 5 секунд, виймаючи вилку і потім знову під'єднати його. Якщо аномалія в роботі продовжує існувати звернутися в службу техобслуговування.

ТЕХНІЧНІ ДАНІ

Висота (см)	Ширина (см)	Глибина (см)	Ø випускної труби (см)
 71-104,5	59,8 - 79,8	32,6	15
 79,5-104,5			

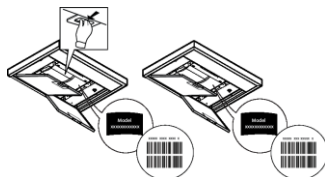


Комплектуючі, не входять у комплект деталей до виробу



Щоб завантажити інструкції з техніки безпеки, посібник користувача, технічний паспорт та енергетичні показники:

- Зайдіть на веб-сайт docs.whirlpool.eu
- Використовуйте QR-код
- Або, зверніться до Сервісної служби (за номером телефону, вказаним у гарантійному талоні). При зверненні до служби післяпродажного обслуговування вкажіть коди, що містяться на заводській табличці виробу.



VŠEOBECNÁ BEZPEČNOSŤ

- Pred každým čistením alebo údržbou, odpojte odsávač pár od elektrickej siete vytiahnutím zástrčky alebo vypnutím hlavného vypínača bytu.
- Pre všetky inštalčné a údržbové operácie používajte pracovné rukavice.
- Zariadenie môže byť používané deťmi vo veku nie menej ako 8 rokov a osobami so zníženými fyzickými, zmyslovými alebo duševnými schopnosťami, alebo nedostatkom skúseností a potrebných znalostí, pokiaľ sú pod primeraným dozorom, alebo dostali pokyny o bezpečnom užívaní zariadenia a keď si uvedomujú s ňou spojené nebezpečenstvo.
- Deti musia byť kontrolované, aby sa nehrali so zariadením.
- Čistenie a údržbu nesmú vykonávať deti bez dozoru.
- Miestnosť musí mať dostatočné vetranie, keď kuchynský odsávač pár sa používa súčasne s inými zariadeniami spaľujúcimi plyn alebo iných palív.
- Odsávač pár sa musí pravidelne čistiť ako vnútorne tak zvonka (ASPOŇ RAZ ZA MESIAC), v každom prípade rešpektujte ako je výslovne uvedené v návode na údržbu.
- Nedodržiavanie noriem čistenia odsávača pár a výmeny a čistenia filtrov môže spôsobiť požiare. Je prísne zakázané pod odsávačom pár robiť jedlá na plameni.
- Pri výmene lampy používajte len typ lampy uvedený v sekcii údržba/výmena lampy v tejto príručke.

Používanie otvoreného ohňa poškodzuje filtre a môže spôsobiť požiar a preto sa mu treba v každom prípade vyhnúť.

Vyprážanie musí byť vykonané pod kontrolou, aby prehriaty olej sa nezapálil.

POZOR: Keď je varná doska v prevádzke, prístupné časti odsávača pary sa môžu zahriať.

- Nepripájajte zariadenie do elektrickej siete, kým inštalácia nie úplne dokončená.
- Pokiaľ ide o technické a bezpečnostné opatrenia, ktoré sa majú prijať pre vypúšťanie výparov, prísne sa dodržiajte nariadeniam ustanovenými príslušnými miestnymi úradmi .
- Odsávaný vzduch nesmie byť dopravený do potrubia používaného pre vypúšťanie výparov produkovaných zariadeniami spaľujúcimi plyn alebo iné palivá.
- ▲ **POZOR!** Chýbajúca inštalácia upevňovacích skrutiek alebo prostriedkov v súlade s týmito pokynmi môže spôsobiť úraz elektrickým prúdom.
- Nepoužívajte alebo nechajte odsávač pár bez správne namontovaných lúčok kvôli možnému riziku úrazu elektrickým prúdom.
- Nikdy nepoužívajte odsávač pár bez správne namontovanej mriežky!
- Odsávač pár sa nesmie NIKDY používať ako nosný povrch, pokiaľ nie je výslovne uvedené
- Používajte len upevňovacie skrutky dodávané s výrobkom pre inštaláciu alebo, ak nie sú súčasťou dodávky, kúpte správny typ skrutiek.
- Používajte správnu dĺžku skrutiek, ktorá je označená v Návode na inštaláciu.

• Ak si nie ste istí, poraďte sa s autorizovaným servisným strediskom alebo podobným kvalifikovaným personálom.

▲ POZOR! Nepoužívajte s programovacím zariadením, časovačom, samostatným diaľkovým ovládaním alebo s akýmkoľvek iným zariadením, ktoré sa aktivuje samostatne.

Uchovávajúce zariadenie mimo dosahu detí vo veku do 3 rokov. Uchovávajúce zariadenie mimo dosahu detí vo veku do 8 rokov, pokiaľ nie sú pod nepretržitým dozorom dospelé osoby.

▲ UPOZORNENIE: zariadenie nie je určené na to, aby sa spúšťalo pomocou externého zariadenia alebo samostatného diaľkového ovládacieho systému.

▲ Toto zariadenie nie je určené na profesionálne použitie. Nepoužívajte zariadenie v exteriéri.

▲ Aby sa predišlo riziku zranenia osôb, zariadenie musia premiestňovať a inštalovať minimálne dve osoby.

▲ Inštaláciu, vrátane prípadných vodovodných prípojk a elektrického vedenia, a opravy smú vykonávať iba kvalifikovaní pracovníci.

Po dokončení inštalácie uchovávajúce obalové materiály (plastové časti, polystyrén atď.) mimo dosahu detí, aby ste predišli riziku udusenía. .

Nepoužívajte zariadenie, keď ste mokří alebo bosí.

Nikdy nepoužívajte prístroje na tlakové čistenie – riziko úrazu elektrickým prúdom.



Obalové materiály sú 100 % recyklovateľné a sú označené značkou pre recykláciu

Odsávač pary môže mať odlišný vzhľad ako je zobrazené na nákrese v tejto knižke, ale napriek tomu návody pre použitie, údržba a montáž ostávajú rovnaké.

Prísne dodržiavajte pokyny uvedené v tomto návode. Výrobca odmieta prevziať akúkoľvek zodpovednosť za prípadné poškodenie, poruchy, škody, alebo vznietenie odsávača, ktoré bolo spôsobené nedodržaním týchto predpisov. Odsávač pár slúži výhradne na odsávanie pár, dymu, pachov vzniknutých pri varení a je určený výhradne pre domáce použitie.

- Je dôležité uchovať si túto príručku, aby ste ju mohli Použiť v akomkoľvek okamihu. V prípade predaje, postúpení či sťahovaní zaistite, aby zostala spoločne s odsávačom pár.
- Pozorne si prečítajte návod: obsahuje dôležité informácie o inštalácii, použití a bezpečnosti.
- Nemeňte elektrickú či mechanickú úpravu výrobku alebo potrubie na odvod pár.
- Skôr než budete pokračovať s inštaláciou zariadenia, overte, všetky súčiastky či nie sú poškodené. V opačnom prípade obráťte sa na predajcu a nepokračujte v inštalácii.

• Minimálna vzdialenosť medzi podporou nádoby na varnej ploche a najnižšou časťou digestora nesmie byť menšia než 45cm v prípade elektrických sporákov, 65cm v prípade plynových či kombinovaných/zmiešaných sporákov.

Pokiaľ návod na inštaláciu varného zariadenia na plyn odporúča väčšiu vzdialenosť, je treba sa týmto pokynom riadiť.

ELEKTRICKÉ PRIPOJENIE

Sieťové napätie musí zodpovedať napätiu uvedenému na štítku s charakteristikami umiestnenom vo vnútri odsávača. Pokiaľ je odsávač vybavený prípojkou/vidlicou, stačí ju zapojiť do zásuvky zodpovedajúcej aktuálnym normám, ktorá sa nachádza v ľahko dosiahnuteľnom priestore aj po prevedenej montáži. Pokiaľ odsávač nie je vybavený prípojkami/vidlicou (priame pripojenie k sieti) alebo sa zásuvka nenachádza v ľahko dosiahnuteľnom priestore aj po prevedení montáže, je nutné použiť dvojpólový vypínač

zodpovedajúci normám, ktorý zaručí úplné odpojenie od siete v podmienkach kategórie prepätí III, v súlade s pravidlami inštalácie.

▲ UPOZORNENIE! Skôr než opäť napojíte obvod digestora na sieťové napájanie a overíte správne fungovanie, skontrolujte si vždy, že sieťový kábel bol správne namontovaný.

Pokiaľ nie je kábel opatrený zástrčkou, pripojte vodič podľa informácií v nasledujúcej tabuľke:

Sieťové napätie a frekvencia

Uvedenú hodnotu si overte na štítku s vlastnosťami zariadenia, umiestnenom vo vnútri zariadenia.

Pripojenie vodičov



: žltá/zelená

N : modrá

L : hnedá

Výmena napájacieho kábla

Digestor je vybavený špeciálnym napájacím káblom; v prípade poškodenia kábla si ho vyžiadajte u servisnej služby.

VYPÚŠŤANIE VZDUCHU

(iba pre odsávaciu verziu)

Napojte digestor na odťahové potrubie s rovnakým priemerom ako vývod vzduchu (spojovacia príruha).

Použitie odvodových trubíc a otvorov do steny s menším priemerom má za následok zníženie odsávacej výkonnosti a drastické zvýšenie hlučnosti.

V tejto zásluže sa vyhýba každej zodpovednosti.

! Používajte čo najkratšie odťahové potrubie.

! Používajte odťahové potrubie s čo najmenším počtom záhybov (maximálny uhol záhybu: 90°).

! Vyhnite sa zásadným zmenám sekcie vedenia odťahu.

! Spoločnosť sa vyhýba akejkoľvek zodpovednosti, pokiaľ tieto normy sa nedodržujú.

FILTRČNÁ ALEBO ODSÁVACIA ?

! Váš odsávač pary je pripravený pre použitie v odsávacej verzii.

Pre použitie odsávača pary vo filtračnej verzii, nainštaluje sa príslušná SADA PRÍSLUŠENSTVA.

Overiť si na prvých stranách tejto príručky, či SADA PRÍSLUŠENSTVA je dodaná vo výbave alebo je ju potrebné zakúpiť.

Poznámka: Ak je dodaná vo výbave, doplnkový filtračný systém na základe aktívneho uhlia, mohol už byť nainštalovaný na odsávači pary.

Informácie pre transformáciu odsávača pary z odsávacej verzii na filtračnú verziu sú už zahrnuté v tejto príručke.

Odsávacia verzia

Výpary sú vypúšťané von prostredníctvom výfukového potrubia upevneného na spojovacej príruhe.

▲ UPOZORNENIE!

Odťahové potrubie nie je súčasťou výbavy a je nutné ho zakúpiť.

Priemer výfukového potrubia sa musí zhodovať s priemerom spojovacieho prstenca.

▲ UPOZORNENIE!

Ak odsávač pary je vybavený uhlíkovými filtrami, tak tie musia byť vybrané.

Filtračné verzia

Odsávaný vzduch bude pred návratom do miestnosti zbavený tukov a pachov. K použitiu digestora v tejto verzii je nutné inštalovať dodatočný systém filtrovania na základe aktívnych uhlíkov.

Nasatý vzduch sa pred znovom privodením do miestnosti najprv odmastí a sa zbaví zápachu. Aby sa mohol odsávač pary používať v takejto verzii, je potrebné nainštalovať doplnujúci filtračný systém na základe aktívneho uhlia.

RIADENIA

Digestor je vybavený ovládacím panelom s ovládaním rýchlostí odsávania a rozsvietením svetla pre osvetlenie varnej dosky.



Prvá rýchlosť (T1)

Stlačte **T1** pre aktiváciu prvej rýchlosti. Keď je funkcia aktivovaná, LED sa zapne napevno. Znovu stlačte **T1** pre vypnutie odsávača.

Druhá rýchlosť (T2)

Stlačte **T2** pre aktiváciu druhej rýchlosti. Keď je funkcia aktivovaná, LED sa zapne napevno. Znovu stlačte **T2** pre vypnutie odsávača.

Tretia rýchlosť a BOOSTER (POSILŇOVAČ) (T3)

Keď je odsávač deaktivovaný alebo je aktívna prvá alebo druhá rýchlosť, tretia rýchlosť sa môže aktivovať stlačením tlačidla **T3** a zapne sa LED napevno.

Ďalším stlačením **T3**, sa zapne booster. Booster sa môže aktivovať iba po aktivácii tretej rýchlosti. Keď je booster zapnutý, LED **T3** začne pulzovať. Kým je booster v prevádzke, je možné prejsť na prvú alebo druhú rýchlosť stlačením požadovaného tlačidla rýchlosti **T1** alebo **T2**, booster sa vypne a aktivuje sa zvolená rýchlosť.

Keď je booster zapnutý, znovu stlačte **T3** pre vypnutie odsávača.

Po **5'** sa booster automaticky vypne a automaticky sa aktivuje tretia rýchlosť.

Timer (časovač) (T4)

Timer môžete aktivovať, keď je aktívna prvá alebo druhá alebo tretia rýchlosť. Keď je funkcia aktivovaná, LED timera (**T4**) aj LED predtým zvolenej rýchlosti (**T1/T2/T3**) sa zapnú napevno.

Funkcia timera trvá na základe zvolenej rýchlosti:

Prvá rýchlosť **T1 = doba trvania 20'**

Druhá rýchlosť **T2 = doba trvania 15'**.

Tretia rýchlosť: **T3 = doba trvania 10'**.

Timer sa nemôže aktivovať, keď je aktívny booster. Po uplynutí času sa odsávač vypne. Keď je rýchlosť načasovaná, môžete prejsť na ďalšie rýchlosti stlačením požadovaného tlačidla rýchlosti, týmto úkonom sa timer vypne.

Keď je rýchlosť načasovaná, môžete deaktivovať timer stlačením **T4**, alebo jednou z ďalších dvoch neaktívnych rýchlostí. Pre vypnutie odsávača znovu stlačte rýchlosť, pri ktorej sa predtým použilo načasovanie.

Svetlo (T5)

Svetlo sa môže kedykoľvek aktivovať stlačením tlačidla **T5**. Keď je funkcia aktivovaná, LED sa zapne napevno.

Nastavenie filtra

Aktivácia alebo deaktivácia indikátorov filtra sa môže vykonať iba, ak je odsávač vypnutý.

Pre vstup do menu konfigurácie dlho stlačte **T2+T3**, akonáhle v menu **T1** začne pulzovať.

Predvolené nastavenie je:

- **protitukový filter**, indikátor (**T2**) zapnutý, čiže aktívny;
- **protizápachový filter**, indikátor (**T3**) vypnutý, čiže neaktívny.

T2 aktivuje/deaktivuje indikátor tukového filtra. **T3** aktivuje/deaktivuje indikátor filtra zápachov. Pre výstup z menu, dlho stlačte **T1** alebo počkajte **10''**

Obnovenie filtra

Odsávač v pravidelných intervaloch signalizuje, že sa musí vykonať údržba filtrov:

- protitukový filter každých **40 hodín**;
- protizápachový filter každých **160 hodín**.

V tomto prípade, keď je odsávač vypnutý, keď sa používateľ dotkne ktoréhokoľvek tlačidla, rozhranie bude signalizovať na **10''** dva typy potreby:

- ak **T1+T2** pulzujú: **údržba protitukového filtra**;

– ak **T1+T3** pulzujú: **údržba protizápachového filtra.**

Počas 10" je možné obnoviť funkciu protitukového filtra stlačením **T1+T2** a obnoviť funkciu protizápachového filtra stlačením **T1+T3**. Po dokončení obnovenia kombinácie tlačidiel dvakrát rýchlo zablíkajú. Rozhranie bude teraz fungovať ako zvyčajne.

Pozor:

Počas 10" bude odsávač fungovať normálne, ale nedôjde k vizuálnym spätným väzbám na tlačidlách rýchlosti. Ak sa počas 10" nevykoná žiadny úkon, LED prestanú pulzovať a vizuálne spätné väzby sa vrátia do normálu.

ÚDRŽBA

Čistenie

Pri čistení je treba použiť **VÝLUČNE** látku navlhčenú neutrálnymi tekutými čistiacimi prostriedkami.

NEPOUŽÍVAJTE ŽIADNE NÁSTROJE ALEBO POMOCKY NA ČISTENIE. NEPOUŽÍVAJTE ALKOHOL !

Panel obvodového odsávania

Obvod panela odsávania čistíte rovnako často ako protitukový filter, používať súkno a nie veľmi koncentrovaný tekutý čistiaci prostriedok. Nepoužívať nikdy škrabiace hmoty.

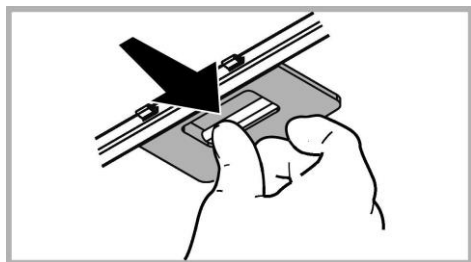
Údržba protitukových filtrov

Udržiava častice tukov pochádzajúcich z varenia.

Musí byť čistený jedenkrát za mesiac s nedráždivými čistiacimi prostriedkami, ručne alebo v umývačke riadu s nízkou teplotou a s krátkym umývacím cyklom.

Umývaním v umývačke riadu, protitukový kovový filter môže vyblednúť, ale jeho filtračné vlastnosti sa tým vôbec nezmenia.

Na odpojenie protitukových filtrov potiahnite za pružinový háčik.



Údržba uhlíkového filtra

Udržiava nepríjemné zápachy pochádzajúce z varenia.

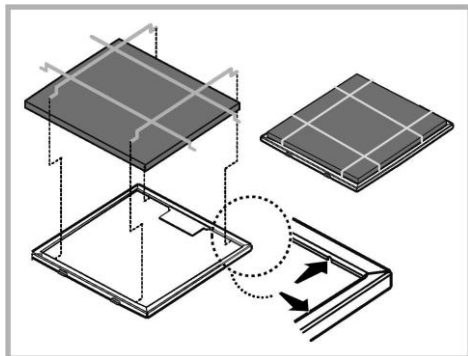
Vložkový filter (vo výbave s produktom).

Uhlíkový filter môže byť umývaný každé dva mesiace (alebo keď systém indikácie nasýtenia filtrov - ak je súčasťou daného modelu - na to upozorní) v teplej vode a vhodných čistiacich prostriedkoch alebo v umývačke riadu pri 65°C (v prípade umývania v umývačke riadu vykonajte kompletný cyklus umývania bez vloženia riadu).

Odstráňte nadmernú vodu bez poškodenia filtra, a potom ho vložte na 10 minút do pece pri teplote 100°C kvôli jeho definitívnemu vysušeniu.

Každé 3 roky alebo v prípade poškodenia vymeňte filtračnú látku.

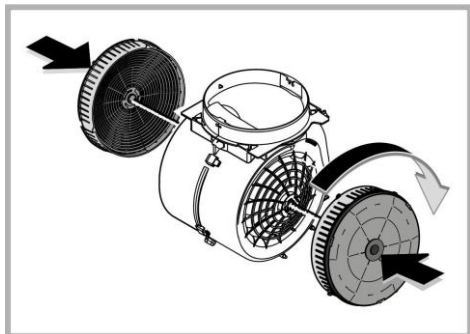
Vložkový filter sa môže nahradiť okružno uhoľným filtrom.



Okružno uhoľný filter

Použiť jedno na každú stranu po zakrytie obidvoch ochranných mriežok motorovej vrtule, za tým pootočiť smerom hodinových ručičiek.

Kóli odmontovaniu pootočiť oproti smeru hodinových ručičiek. Nasýtenie filtra s uhlíkom nastane po viac či menej dlhom užívaní, tj. závisí na type kuchyne a pravidelnom čistení filtra proti masťotám. V každom prípade je nutné nahradiť filter približne raz za 4 mesiace. NEMÔŽE byť umývaný alebo regenerovaný.



Výmena žiaroviek

Odsávač pary je vybavený systémom osvetlenia založenom na technológii LED.

Kontrolky LED zaručujú optimálne osvetlenie, trvanie až 10 krát dlhšie ako tradičné žiarovky a umožňujú ušetriť 90% elektrickej energie.


Systém osvetlenia nemôže vymieňať používateľ, v prípade funkčných porúch sa skontaktujte s asistenčnou službou.

LIKVIDÁCIA

Tento spotrebič je označený v súlade s európskou smernicou 2012/19/EC - UK SI 2013 No.3113 o likvidácii elektrického a elektronického zariadenia (WEEE).

Uistením sa, že tento výrobok bol po svojej životnosti odstránený správnym spôsobom, užívateľ prispieva k predchádzaniu možným negatívnym následkom pre životné prostredie a zdravie.



Symbol  výrobku alebo na jeho sprievodnej dokumentácii, upozorňuje, že s týmto výrobkom sa nesmie zaobchádzať ako s domácim odpadom, ale musí byť odovzdaný do príslušného miesta zberu pre recykláciu elektrických a elektronických prístrojov. Zbaviť sa ho riadením sa podľa miestnych zákonov o odstránení odpadkov. Kvôli dokonalejším informáciám o zaobchádzaní, znovuzískaní a recyklácii tohto výrobku, kontaktujte príslušné miestne úrady, služby pre zber domáceho odpadu alebo predajňu, v ktorej výrobok bol zakúpený.

Prístroj bol navrhnutý, testovaný a vyrobený v súlade s:

- Bezpečnosť: EN/IEC 60335-1; EN/IEC 60335-2-31, EN/IEC 62233.
- Výkonnosť: EN/IEC 61591; ISO 5167-1; ISO 5167-3; ISO 5168; EN/IEC 60704-1; EN/IEC 60704-2-13; EN/IEC 60704-3; ISO 3741; EN 50564; IEC 62301.

- EMC: EN 55014-1; CISPR 14-1; EN 55014-2; CISPR 14-2; EN/IEC 61000-3-2; EN/IEC 61000-3-3.

(CISPR - Osobitný medzinárodný výbor pre rádiové rušenie, pozn. prekl.)

Odporúčania pre správne použitie s cieľom znížiť dopad na životné prostredie: Zapnite digestor na minimálnu rýchlosť, keď začnete s varením a nechajte ho bežať niekoľko minút po ukončení varenia. Zvýšte rýchlosť len v prípade veľkého množstva dymu a pary a použite podpornú rýchlosť (rýchlosti) len v extrémnych situáciách. Vymeňte uhlíkový filter (filtre), ak je to potrebné na udržiavanie dobrej účinnosti zníženia zápachu. Vyčistite tukový filter (filtre), ak je to potrebné na udržiavanie jeho účinnosti. Použite maximálny priemer potrubného systému, ako je uvedené v tomto návode, na optimalizáciu účinnosti a minimalizáciu hluku.



PREVÁDKOVÉ PORUCHY

Ak sa zdá, že niečo nefunguje, skôr než sa zavola servis, vykonať nasledujúce jednoduché kontroly.

- Ak odsávač pary nefunguje:
Skontrolovať, že:
 - nedošlo k výpadku elektrického prúdu.
 - bola zvolená jedna rýchlosť.
- ak odsávač pary má slabý výkon:
Skontrolovať, že:
 - zvolená rýchlosť motora je dostačujúca pre množstvo uvoľnených dymov a pár.
 - Kuchyňa je dostatočne vzdušná pre možnosť príjem vzduchu.
 - uhlíkový filter nie je spotrebovaný (odsávač pary vo filtračnej verzii).
- ak odsávač pary sa vypol počas normálnej prevádzky:
Skontrolovať, že:
 - nedošlo k výpadku elektrického prúdu.
 - vyplo sa zariadenie poisťky.

V prípade eventuality porúch v prevádzke, skôr ako sa obrátite na zákaznícky servis, odpojiť zariadenie na 5 sekúnd od elektrického napojenia, vytiahnutím zástrčky a znovu ho pripojiť. V prípade, že porucha prevádzky pretrváva, obrátiť sa na zákaznícky servis.

TECHNICKÉ ÚDAJE

Výška (cm)	Šírka (cm)	Hĺbka (cm)	Ø odsávacej rúry (cm)
 71-104,5  79,5-104,5	59,8 - 79,8	32,6	15

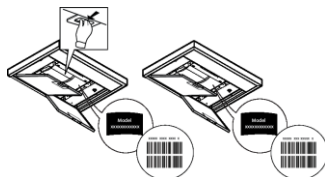


Komponenty, ktoré nie sú dodané s výrobkom



Bezpečnostné pokyny, Návod na používanie, Technické a energetické údaje spotrebiča si môžete stiahnuť:

- Na našej webovej stránke docs.whirlpool.eu
- Pomocou QR kódu
- Prípadne **sa obráťte na náš popredajný servis** (Telefónne číslo nájdete v záručnej knižke). Pri kontaktovaní nášho popredajného servisu uveďte, prosím, kódy z výrobného štítku vášho spotrebiča.



VŠEOBECNÁ BEZPEČNOSTNÍ OPATŘENÍ

- Před jakýmkoli čištěním či údržbou odpojte digestoř z elektrické sítě odpojením ze zásuvky nebo vypnutím hlavního domovního vypínače.
 - Při jakýchkoli úkonech spojených s instalací či údržbou používejte ochranné rukavice.
 - Tento přístroj mohou používat děti starší 8 let a osoby se sníženými tělesnými, smyslovými či duševními schopnostmi nebo osoby bez patřičných zkušeností a znalostí, pouze pokud jsou pod neustálým dozorem nebo byly poučeny o bezpečném použití výrobku a jsou si vědomy rizik spojených s jeho použitím.
 - Je nutné se ujistit, zda si děti nehrají se zařízením.
 - Čištění a údržba nesmí být prováděna dětmi bez dozoru.
 - Místnost musí být dostatečně větraná, pokud je digestoř používána společně s jinými spalovacími zařízeními na plyn či jiná paliva.
 - Vnitřní a vnější části digestoře musí být často čišťeny (NEJMÉNĚ JEDNOU ZA MĚSÍC), za dodržení výslovných pokynů uvedených v návodu k údržbě.
 - Při nedodržení pokynů pro čištění digestoře a výměnu a čištění filtrů hrozí nebezpečí požáru.
 - Je přísně zakázáno připravovat pod digestoří pokrmy na ohni.
 - Při výměně žárovky používejte pouze typ žárovky uvedený v tomto návodu, v části věnované údržbě/výměně žárovek.
- Použití otevřeného ohně může poškodit filtry a způsobit požáry, proto oheň nesmí být nikdy používán.
- Zvýšenou pozornost je nutné věnovat smažení, protože přehřátý olej by se mohl vznítit. POZOR: Pokud je varná deska v provozu, přístupné části digestoře se mohou stát velmi teplými.
- Nepřipojujte přístroj k elektrické síti, dokud instalace nebude zcela ukončena.
 - Nepřipojujte přístroj k elektrické síti, dokud instalace nebude zcela ukončena.
 - Co se týče technických a bezpečnostních opatření pro odvod kouře, postupujte přesně podle předpisů příslušných místních orgánů.
 - Odsávaný vzduch musí být odváděn do potrubí používaného pro odtah kouřů vznikajících při použití spalovacích zařízení na plyn či jiná paliva.
 - ▲ **POZOR!** V případě chybějící instalace šroubů a úchytných prvků dle pokynů uvedených v tomto návodu může dojít k vzniku nebezpečí elektrické povahy.
 - Nepoužívejte a nenechávejte digestoř bez správně instalovaných žárovek, jelikož hrozí nebezpečí úrazu elektrickým proudem.
 - Nikdy nepoužívejte digestoř bez správně namontované mřížky!
 - Digestoř nesmí být NIKDY používána jako opěrná plocha, pokud pro tento účel není výslovně určena.
 - Při instalaci používejte pouze úchytné šrouby dodané z výrobkem.
 - Pokud šrouby nejsou součástí vybavení, zakupte správný typ šroubů. Používejte

šrouby se správnou délkou, podle pokynů v Návodu pro instalaci.

• V případě pochyb se obraťte na pověřený servis nebo se poraďte s odborným personálem.

▲ POZOR! Nepoužívejte s programátorem, časovým spínačem, samostatným dálkovým ovládáním nebo jiným zařízením, které se aktivuje automaticky.

Uchovávejte spotřebič mimo dosah dětí mladších 3 let. Bez stálého dohledu dospělé osoby uchovávejte mimo dosah dětí mladších 8 let.

▲ UPOZORNĚNÍ: spotřebič není určen ke spuštění externím zařízením nebo odděleným dálkovým ovládáním.

▲ Tento spotřebič není určen pro profesionální použití. Nepoužívejte spotřebič na otevřeném prostranství.

▲ Aby nedošlo k poranění osob, musí být spotřebič přemístěn a nainstalován dvěma nebo více osobami.

▲ Instalace, včetně případných přípojek na vodu (pokud jsou k dispozici) a elektrických přípojek, jakož i opravy musí provádět kvalifikovaný personál.

Po dokončení instalace uložte obalový materiál (plastové díly, polystyren, atd) mimo dosah dětí, aby se zabránilo riziku udušení. .

Nepoužívejte přístroj, pokud jste mokří nebo naboso.

Nikdy nepoužívejte parní čistící přístroje - nebezpečí úrazu elektrickým proudem.



Obalový materiál je 100% recyklovatelný a je označen symbolem recyklace

Digestoř může mít odlišný vzhled od ilustrací na výkresech této příručky, nicméně návod k použití, údržba a montáž zůstávají nezměněny.

Výrobce odmítá převzít jakoukoliv odpovědnost za případné závady, škody nebo vznícení digestoře, které byly způsobeny nedodržením těchto předpisů. Digestoř je projektována pro odsávání dýmů a par při vaření a je určena pouze k domácím účelům.

- Je důležité uchovat si tuto příručku, abyste ji mohli konzultovat v jakémkoliv okamžiku. V případě prodeje, postoupení či stěhování si zajistěte, aby zůstala společně s přístrojem.
- Přečtěte si pozorně návod: obsahuje důležité informace o instalaci, užití a bezpečnosti.
- Neměňte elektrickou či mechanickou úpravu výrobku anebo vývodního zařízení.
- Před instalací zařízení zkontrolujte, zda některá ze součástí není poškozena. V opačném případě kontaktujte prodejce a nepokračujte v instalaci.

• Minimální vzdálenost mezi podporou nádoby na varné ploše a nejnižší částí digestoře nesmí být menší než 45cm v případě elektrických sporáků 65cm v případě plynových či smíšených sporáků.

Pokud návod na instalaci varného zařízení na plyn doporučují větší vzdálenost, je třeba se tímto pokynem řídit.

NAPOJENÍ NA ELEKTRICKOU SÍŤ

Síťové napětí musí odpovídat napětí uvedenému na štítku s charakteristikami umístěného uvnitř krytu. Pokud je kryt vybaven přípojkou, stačí jej zapojit do zásuvky odpovídající stávajícím normám, která se nachází ve snadno dosažitelném prostoru i po provedené montáži. Pokud kryt není vybaven přípojkami (přímé připojení k síti) nebo se zásuvka nenachází ve snadno dosažitelném prostoru i po provedené montáži, je třeba použít dvojpólový vypínač odpovídající normám, který zaručí úplné odpojení od sítě v podmínkách kategorie přepětí III, v souladu s pravidly instalace.

▲ POZOR! Dříve než opět napojíte obvod digestoře na síťové napájení a ověříte


správné fungování, zkontrolujte si vždy, že síťový kabel byl správně namontován.

Pokud není kabel opatřen zástrčkou, připojte vodiče podle informací v následující tabulce:

Síťové napětí a frekvence

Viz hodnota uvedená na technickém štítku s vlastnostmi uvnitř digestoře..

Připojení vodičů

 : žluto/zelená
N : modrá
L : hnědá

Výměna napájecího kabelu

Digestoř je vybavena speciálním napájecím kabelem; v případě poškození kabelu vyžádejte si ho u servisní služby.

VÝVOD VZDUCHU

(pro odsávací verze)

Napojte digestoř na odtahového potrubí se stejným průměrem jako vývod vzduchu (spojovací příruba).

Použití odtahového potrubí s menším průměrem způsobí snížení výkonu a zvýšení hluku.

Za to výrobce odmítá jakoukoliv zodpovědnost.

- ! Použijte co nejkratší odtahové potrubí.
- ! Použijte odtahové potrubí s co nejmenším počtem záhybů (maximální úhel záhybu: 90°).
- ! Vyhněte se zásadním změnám sekce vedení odtahu.
- ! Výrobce odmítá veškerou zodpovědnost v případě, že tyto předpisy nebudou dodržovány.

FILTRUJÍCÍ ANEBU ODSÁVACÍ?

! Vaše digestoř je připraven k použití v odsávací verzi.

K použití ve filtrující verzi je třeba instalovat příslušný KIT PŘÍSLUŠENSTVÍ.

Ověřte si na prvních stránkách této příručky, zda KIT PŘÍSLUŠENSTVÍ je součástí vybavení přístroje anebo zda je třeba ho zakoupit.

Poznámka: Pokud je součástí vybavení, v některých případech dodatkový filtrační systém založený na aktivních uhlících by již mohl být nainstalován na digestoři.

Informace týkající se přeměny digestoře z odsávací verze na verzi filtrující jsou obsaženy v této příručce.

Odsávací verze

Páry jsou vyváděny mimo místnost odtahovým potrubím upevněného na spojovací přírubě.

POZOR!

Odtahové potrubí není součástí vybavení a je třeba ho zakoupit.

Průměr odtahového potrubí se musí rovnat průměru spojovacího prstence.

POZOR!

Jestliže je digestoř vybavena filtry s uhlíkem, musejí být vyňaty.

Filtrující verze

Odsávaný vzduch bude před návratem do místnosti zbaven tuku a pachů. K použití digestoře v této verzi je nutné instalovat dodatečný systém filtrování na základě aktivních uhlíků.

OVLÁDÁNÍ

Digestoř je vybavena ovládacím panelem s řízením rychlosti sání a světelným spínačem pro osvětlení varné desky.



T1



T2



T3



T4



T5

První rychlost (T1)

Stiskněte **T1** pro aktivaci první rychlosti. Když je funkce aktivována, LED dioda se rozsvítí pevným světlem. Znovu stiskněte **T1** pro vypnutí digestoře.

Druhá rychlost (T2)

Stiskněte **T2** pro aktivaci druhé rychlosti. Když je funkce aktivována, LED dioda se rozsvítí pevným světlem. Znovu stiskněte **T2** pro vypnutí digestoře.

Třetí rychlost a BOOSTER (posilovač) (T3)

Když je digestoř vypnutá nebo jsou aktivní první nebo druhá rychlost, lze třetí rychlost aktivovat stisknutím tlačítka **T3** a LED dioda se rozsvítí pevným světlem.

Dalším stisknutím **T3** se zapne booster. Booster lze zapnout, až když je aktivní třetí rychlost. Když je booster zapnutý, LED dioda **T3** začne blikat. Když je booster v provozu, je možné přepnout na první nebo druhou rychlost stisknutím tlačítka požadované rychlosti **T1** nebo **T2**. Booster se vypne a aktivuje se zvolená rychlost.

Když je booster zapnutý, znovu stiskněte **T3** pro vypnutí digestoře.

Po **5 minutách** se booster automaticky vypne a automaticky se aktivuje třetí rychlost.

Timer (časovač) (T4)

Timer lze zapnout, když je aktivní první, druhá nebo třetí rychlost. Je-li tato funkce aktivována, rozsvítí se pevným světlem jak LED dioda časovače (**T4**), tak i LED dioda dříve zvolené rychlosti (**T1/T2/T3**).

Časovač trvá podle zvolené rychlosti:

První rychlost **T1 = doba trvání 20 minut**

Druhá rychlost **T2 = doba trvání 15 minut**.

Třetí rychlost: **T3 = doba trvání 10 minut**.

Časovač nelze zapnout, když je zapnutý booster. Po uplynutí uvedené doby se digestoř vypne. Když je nějaká rychlost načasována, je možné přepnout na jiné rychlosti stisknutím tlačítka požadované rychlosti. Tento úkon časovač vypne.

Když je nějaká rychlost načasována, je možné časovač vypnout stisknutím **T4**, anebo jedné ze dvou dalších neaktivních rychlostí.

Chcete-li digestoř vypnout, stiskněte znovu rychlost, při které bylo předtím načasování použito.

Světlo (T5)

Světlo lze zapnout v jakémkoliv okamžiku stisknutím tlačítka **T5**. Když je funkce aktivována, LED dioda se rozsvítí pevným světlem.

Nastavení filtru

Aktivaci nebo deaktivaci ukazatelů filtru lze provést pouze, když je digestoř vypnutá.

Pro přístup do konfigurační nabídky stiskněte dlouze **T2+T3**, jakmile v nabídce **T1** začne blikat.

Výchozí nastavení je:

– **tukový filtr** ukazatel (**T2**) rozsvícený, tedy aktivní;

– **pachový filtr** ukazatel (**T3**) zhasnutý, tedy neaktivovaný.

T2 aktivuje/deaktivuje ukazatel tukového filtru. **T3** aktivuje/deaktivuje ukazatel pachového filtru. Pro výstup z nabídky stiskněte dlouze **T1** anebo počkejte **10 sekund**

Resetování filtru

Digestoř v pravidelných intervalech hlásí, že musí být provedena údržba filtrů:

– tukový filtr každých **40 hodin**;

– pachový filtr každých **160 hodin**.

V tomto případě, když je digestoř vypnutá, pokud se uživatel dotkne jakéhokoli tlačítka, rozhraní bude signalizovat po dobu **10 sekund** dva typy potřeb:

– pokud **T1+T2** blikají: **údržba tukového filtru**;

– pokud **T1+T3** blikají: **údržba pachového filtru**.

Během 10 sekund je možné resetovat tukový filtr stisknutím **T1+T2** a resetovat pachový filtr stisknutím **T1+T3**. Po dokončení resetování tyto kombinace tlačítek dvakrát rychle zablikají. Rozhraní bude nyní fungovat jako obvykle.

Pozor:

Během 10 sekund bude digestoř fungovat normálně, ale na tlačítkách rychlosti nebude žádná vizuální zpětná vazba. Pokud během 10 sekund neproběhne žádný úkon, LED diody přestanou blikat a vizuální zpětná vazba se vrátí k normálu.

ÚDRŽBA

Čištění

Pro čištění je třeba použít **VÝHRADNĚ** látku navlhčenou neutrálními tekutými čistícími prostředky. **NEPOUŽÍVEJTE ŽÁDNÉ NÁSTROJE NEBO POMŮCKY NA ČIŠTĚNÍ. NEPOUŽÍVEJTE ALKOHOL !**

Obvodový panel odsávání

Vyčistěte obvodový odsávací panel stejně často jako filtr proti mastnotám, používejte látku a tekutý nepřilíš koncentrovaný rozpouštěcí prostředek. Nepoužívejte nidky brusné látky.

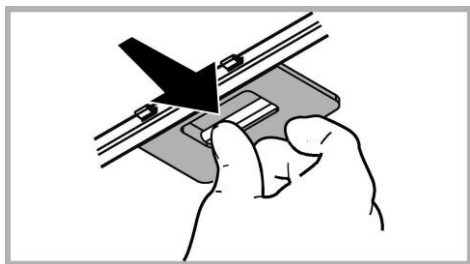
Údržba tukových filtrů

Zadržuje částice tuku uvolňující se při vaření.

Tukový filtr se musí 1 x do měsíce vyčistit .

Je možné jej čistit ručně jemným mycím prostředkem nebo v kuchyňské myčce při nejnižší teplotě a kratším programu.

Demontáž tukového filtru je znázorněna - zatlačte na západku filtru.



Údržba filtrů s uhlíkem

Tento filtr pohlcuje nepříjemné pachy vznikající při vaření.

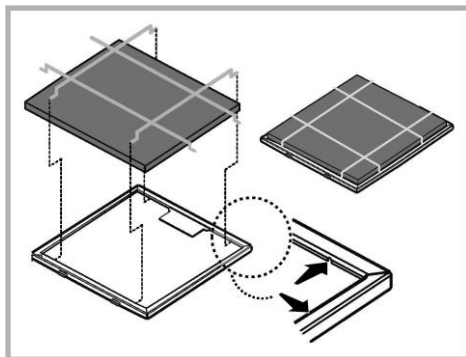
Tkaninový filtr (dodáván s výrobkem).

Filtr s uhlíkem může být umýván jednou za dva měsíce (anebo v okamžiku, kdy tuto potřebu vyznačuje systém saturace filtrů – pokud je součástí vybavení Vašeho modelu) teplou vodou anebo v myčce nádobí parující za teploty 65°C (v případě mytí v myčce nádobí nechte projít kompletní cyklus mytí a nenechávejte uvnitř nádobí).

Vyjměte přebytečnou vodu, aniž byste poškodili filtr, potom ho položte na 10 minut trouby vyhřáté na 100°C, aby se zcela osušil.

Vyměňujte podložku jednou za 3 roky a kdykoliv se látka zdá být poškozená.

Tkaninový filtr lze nahradit kruhovým uhlíkovým filtrem.



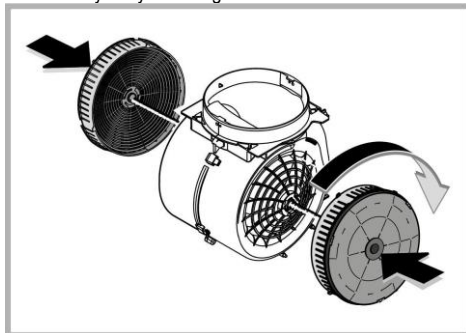
Kruhový filtr s uhlíkem

Umístěte po jednom na každé straně k pokrytí obou ochranných mřížek rotoru motoru a pak otáčejte ve směru hodinových ručiček.

K odmontování otáčejte proti směru hodinových ručiček.

Saturace filtru s uhlíkem nastane po více či méně dlouhém užití, tj. závisí na typu kuchyně a pravidelném čištění filtru proti mastnotám. V každém případě je nutné nahradit patronu maximálně jednou za 4 měsíce.

NEMŮŽE být umýván či regenerován.



Výměna svítidel

Digestoř je vybavena osvětlovacím systémem založeným na technologii DIOD.


DIODY zaručují optimální osvětlení, s trvanlivostí až 10 krát delší než tradiční svídkla a umožňují úspory 90% elektrické energie.

Systém osvětlení nemůže být vyměňován uživatelem, v případě poruchy kontaktujte servisní službu.

LIKVIDACE ODPADU

Tento spotřebič je označený v souladu s evropskou směrnicí 2012/19/EC - UK SI 2013 No.3113 o likvidaci elektrického a elektronického zařízení (WEEE). Zajištěním správné likvidace tohoto výrobku pomůžete zabránit případným negativním důsledkům na životní prostředí a lidské zdraví, ke kterým by nevhodnou likvidací tohoto výrobku mohlo dojít.



Symbol  na výrobku nebo na dokumentech přiložených k výrobku udává, že tento spotřebič nepatří do domácího odpadu. Spotřebič je nutné odvézt do sběrného místa pro recyklaci elektrického a elektronického zařízení.

Likvidace musí být provedena v souladu s místními předpisy o ochraně životního prostředí, které se týkají likvidace odpadu.

Podrobnější informace o zpracování, rekuperaci a recyklaci tohoto výrobku zjistíte u příslušného místního úřadu, služby pro likvidaci domovního odpadu nebo v obchodě, kde jste výrobek zakoupili.

Přístroj byl navržen, testován a vyroben v souladu s:

- Bezpečnost: EN/IEC 60335-1; EN/IEC 60335-2-31, EN/IEC 62233.
- Výkonnost: EN/IEC 61591; ISO 5167-1; ISO 5167-3; ISO 5168; EN/IEC 60704-1; EN/IEC 60704-2-13; EN/IEC 60704-3; ISO 3741; EN 50564; IEC 62301.

- EMC: EN 55014-1; CISPR 14-1; EN 55014-2; CISPR 14-2; EN/IEC 61000-3-2; EN/IEC 61000-3-3.

(Osobitý mezinárodní výbor pro rádiové rušení, pozn. překl)

Doporučení pro správné použití s cílem snížit dopad na životní prostředí:

Zapněte digestoř na minimální rychlost, když začnete s vařením a nechte ji běžet několik minut poté, co jste vaření ukončili. Zvyšte rychlost pouze v případě nadměrného množství kouře nebo páry a použijte podpornou rychlost (i) jenom v extrémních situacích. Vyměňte uhlíkový filtr (y), je-li to nutné pro udržování účinnosti snižování zápachu. Vyčistěte tukový filtr (y), je-li to nutné pro udržování jeho účinnosti. Použijte maximální průměr potrubního systému, jak je uvedeno v tomto návodu, pro optimalizaci účinnosti a minimalizaci hluku.



TECHNICKÉ PORUCHY

Pokud máte dojem, že něco správně nefunguje, dříve než se obrátíte na servisní službu, proveďte následující jednoduchá kontrolní opatření:

- jestliže digestoř nefunguje:
Ověřte si, zda:
 - nedošlo k přerušení elektrického proudu.
- jestliže digestoř má nedostatečný výkon:
Ověřte si, zda:
 - zvolená rychlost motoru je postačující pro uvolněné množství dýmu a par.
 - zda je kuchyně dostatečně větrána, aby v ní bylo možno umístit přívod vzduchu.
 - zda filtr s uhlíkem není opotřebován (pokud je digestoř ve filtrující verzi).
- Pokud se digestoř při normálním provozu vypne:
Ověřte si, zda:
 - nedošlo k přerušení elektrického proudu.
 - zda nezasáhl multipólový jistič

V případě eventuálních technických poruch dříve než se obrátíte na servisní službu, odpojte přístroj alespoň na 5 vteřin z elektrické sítě, vyjměte zásuvku ze zástrčky a pak ho opět napojte na síť. V případě, že technická porucha trvá, obraťte se na servisní službu.

TECHNICKÉ ÚDAJE

Výška (cm)	Šířka (cm)	Hloubka (cm)	Ø potrubí odtahu (cm)
 71-104,5  79,5-104,5	59,8 -	32,6	15

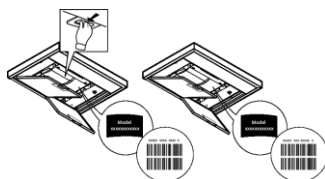


Komponenty, které nejsou součástí vybavení výrobku



Bezpečnostní pokyny, návod k použití, štítek výrobku a energetické údaje si můžete stáhnout pomocí:

- naší webové stránky docs.whirlpool.eu
- naskenování QR kódu
- případně **kontaktujte náš poprodejní servis** (telefonní číslo najdete v záručním listě). Při kontaktování našeho poprodejního servisu prosím uveďte kódy na identifikačním štítku produktu.



ÁLTALÁNOS BIZTONSÁGI ELŐÍRÁSOK

- Bármilyen tisztítási és karbantartási művelet megkezdése előtt, a készüléket le kell választani az elektromos hálózatról! Húzza ki a készülék villásdugóját, vagy áramtalanítsa a háztartási elosztódoboz főkapcsolóját lekapcsolva!
 - Minden beszerelési és karbantartási munkálathoz használjon munkavédelmi kesztyűt!
 - A készüléket 8 éven felüli gyerekek, valamint a csökkent fizikális, érzékszervi és szellemi képességekkel bíró személyek, illetve azok, akik nem rendelkeznek megfelelő tudással és tapasztalattal, kizárólag megfelelő felügyelet mellett használhatják, illetve abban az esetben, ha megfelelő útmutatást kaptak a készülék biztonságos használatát illetően és megértették a készülék használatával járó veszélyeket!
 - Ne engedje, hogy a gyermekek játsszanak a készülékkel!
 - A készülék tisztítását és karbantartását gyermekek csak felügyelet mellett végezhetik!
 - Az elszívó más, gáz- vagy egyéb tüzelőanyagú készülékkel való egyidejű használata esetén biztosítani kell a helyiség megfelelő szellőzését!
 - Az elszívót mind belül, mind kívül (LEGALÁBB HAVONTA EGYSZER) rendszeres gyakorisággal tisztítani kell!
 - A kézikönyvben feltüntetett karbantartási utasításokat minden esetben tartsa be!
 - Az elszívó tisztítási előírásainak, valamint a szűrők cseréjének és tisztításának figyelmen kívül hagyása tűzveszélyt okoz! Az elszívó alatt szigorúan tilos nyílt lángon készíteni ételt!
 - Az izzó cseréjéhez kizárólag az e kézikönyv „karbantartás - izzó cseréje” c. részben megadott típusú izzót használjon!
- A nyílt láng használata károsítja a szűrőket és tűzveszélyt okozhat, emiatt minden esetben kerülni kell a nyílt láng használatát!
- Ne hagyja őrizetlenül a sütést, mert a túlhevült olaj meggyulladhat!
- FIGYELEM!** A főzőlap működése közben az elszívó hozzáférhető részei felforrósodhatnak!
- Ne csatlakoztassa a készüléket az elektromos hálózatra, amíg a beszerelést teljesen el nem végezte!
 - A füstelvezetéshez szükséges műszaki és biztonsági intézkedéseket illetően, az illetékes helyi hatóságok vonatkozó rendeleteit szigorúan tartsa be!
 - A keringetett levegőt nem szabad a gáz- vagy egyéb égéstermék üzemű készülékek füstjének elvezetéséhez használt csőben szállítani!
- ▲ FIGYELEM!** A csavarok és rögzítő elemeknek nem az útmutató szerinti felhelyezése áramütés-veszélyt okozhat!
- Ne használja az elszívót helytelenül felszerelt lámpával, illetve ne hagyja azt lámpa nélkül, mert áramütést okozhat!
 - Soha ne használja az elszívót felszerelt rostély nélkül!
 - Az elszívót SOHA ne használja tárolófelületként, hacsak az ilyen célra való használata nincs egyértelműen jelezve!

- Beszereléshez kizárólag a készülékhez mellékelt csavarokat használja! Amennyiben a csavar nem része a csomagnak, ügyeljen a megfelelő típusú csavarok beszerzésére!
- A beszerelési útmutatóban feltüntetett, megfelelő hosszúságú csavarokat használjon!
- Kétség esetén kérjen tájékoztatást a szakszerviztől, vagy hasonló képesítésű személyzettől!

▲ FIGYELEM! Ne használja programozóval, időzítővel, különálló távirányítóval vagy bármilyen más olyan eszközzel, amelyik automatikusan kapcsol be.

A 3 évesnél fiatalabb gyermekeket tartsa távol a készüléktől. Felnőtt állandó felügyelete nélkül a készüléket 8 évesnél fiatalabb gyermekektől tartsa távol.

▲ FIGYELEM! a készüléket ne üzemeltesse külső eszközzel vagy külön távirányítóval.

▲ Ez a készülék nem professzionális használatra készült. Ne használja a készüléket a szabadban.

▲ A személyi sérülés elkerülése érdekében a készüléket két vagy több embernek kell mozgatnia és telepítenie.

▲ A telepítést, beleértve a vízellátó csatlakozásokat (ha vannak) és az elektromos csatlakozásokat, valamint a javítási műveleteket, szakképzett személyzetnek kell elvégeznie.

A telepítés befejezése után tartsa a csomagolóanyagot (műanyag részeket, polisztirolt stb.) gyermekektől távol, hogy elkerülje a fulladást. .

Ne használja a készüléket vizes testrészekkel vagy mezítábl.

Soha ne használjon gőztisztító berendezéseket - áramütés veszélye.

A csomagolóanyag 100% -ban újrahasznosítható és újrahasznosítási szimbólummal van ellátva



Az elszívó esztétikai megjelenésében eltérhet a jelen kézikönyv ábráin szereplőtől, de a használati, karbantartási és felszerelési utasítások nem változnak.

Ezen kézikönyv utasításait szigorúan be kell tartani. Az itt feltüntetett utasítások be nem tartásából származó bármilyen hiba, kár vagy tüzesettel kapcsolatban a gyártó felelősséget nem vállal. A páraelszívó a főzési pára és füst elszívására szolgál, kizárólag háztartási használatra.

- Fontos, hogy ezt a kézikönyvet megőrizze, hogy bármikor tájékozódhasson belőle. Eladás, átadás vagy költözés esetén gondoskodjon arról, hogy a kézikönyv a terméket kísérm.
- Az útmutatásokat figyelmesen olvassa el: fontos tájékoztatások található köztük a telepítésre, a használatra és a biztonságra vonatkozóan.
- Ne módosítsa a termék elektromos vagy mechanikai rendszerét, vagy a kivezető csöveket.
- A berendezés beszerelésének megkezdése előtt győződjön meg róla, hogy minden alkatrész sérülésmentes-e. Ellenkező esetben forduljon a viszonteladóhoz és ne szerelje fel a berendezést.

• A főzőkészülék felülete és a konyhai szagelszívó legalsó része közötti minimális távolság nem lehet kisebb, mint 45cm elektromos főzőlap, és 65cm gáz vagy vegyes tüzelésű főzőlap esetén.

Ha a gázfőzőlap beszerelési utasításában ennél nagyobb távolság szerepel, azt kellfigyelembe venni.

ELEKTROMOS CSATLAKOZÁS

A hálózati feszültségnek azonosnak kell lennie a konyhai páraelszívó belsejében elhelyezett műszaki adattáblán feltüntetett feszültséggel. Ha az elszívó rendelkezik villásdugóval, csatlakoztassa egy hozzáférhető helyen elhelyezett, az érvényben lévő szabványoknak megfelelő dugaszoló aljzathoz, akár a beszerelést követően is. Ha nem

rendelkezik csatlakozódugóval (közvetlen csatlakozás a hálózathoz) vagy a dugaszoló aljzat nem hozzáférhető, szereljen fel egy szabványos, kétpólusú megszakítót akár a beszerelést követően is, amely III. túláram-kategória esetén biztosítja a hálózatról való teljes leválasztását, a telepítési szabályoknak megfelelően.


▲ FIGYELEM! Mielőtt az elszívó áramkörét visszaköti a hálózatba és ellenőrzi, hogy az elszívó helyesen működik-e, mindig ellenőrizze azt is, hogy a hálózati vezeték beszerelése szabályos-e.

H a kábel nem rendelkezik csatlakozódugóval, csatlakoztassa a vezetékeket az alábbi táblázat szerint:

Hálózati feszültség és frekvencia

Lásd a páraelszívó belsejében található, a jellemzőket felsoroló címkén feltüntetett értéket.

Vezetékek

 : sárga/zöld
N : kék
L : barna

Elektromos vezeték cseréje

Az elszívó speciális kábellel rendelkezik, melynek sérülése esetén cseréjét kérje a szakszervíz szolgáltatótól.

LÉGKIVEZETÉS

(kivezetett verziónál)

Csatlakoztassa a páraelszívót a levegőkimenettel (csatlakozó karima) azonos átmérőjű kivezető csőhöz.

A kisebb átmérőjű cső használata az elszívás hatásfokának csökkenését és a készülék zajszintjének drasztikus növekedéséhez vezet.

Ezért ezzel kapcsolatban felelősséget nem vállalunk.

! Minimális hosszúságú csővezetékét használjon.

! A csővezeték a lehető legkevesebb hajlattal rendelkezzen (maximális hajlásszög: 90°).

! Kerülje a cső deformálódását.

! A gyártó nem vállal felelősséget a fent leírt előírások be nem tartása esetén.

KERINGETETT VAGY KIVEZETETT ?

! Az Ön által vásárolt elszívó kivezetett változatban való alkalmazásra készült

Amennyiben a páraelszívót keringetett verzióban szeretné használni, úgy a megfelelő **KELLÉK KÉSZLETET** be kell szerelnie.

Ellenőrizze ezen kézikönyv első oldalain, hogy a **KELLÉK KÉSZLET** a csomag része-e, vagy külön szükséges-e megvásárolnia.

Megjegyzés: Amennyiben a készlet része, előfordulhat, hogy az aktív szénfilter alapú kiegészítő szűrőrendszer a páraelszívóba már beépítésre került.

A páraelszívó kivezetett verziójából keringetett verziójúvá való átalakításához szükséges információkat ebben a kézikönyvben megtalálja.

Kivezetett verzió

A gőzök kivezetése a gyűjtőkarimához rögzített elvezető csövön történik.

▲ FIGYELEM!

Kivezetőcső nincs a csomagban, külön kell azt megvennie.

Az elvezetőcső átmérője az összekötő gyűrű átmérőjével azonos kell legyen

▲ FIGYELEM!

Amennyiben az elszívó szénfilteres, szükséges annak kiemelése.

Keringetett verzió

Az elszívott levegő zsirtalanításra, majd szagtalanításra kerül, mielőtt a terembe visszaáramoltatásra kerülne. Az elszívó ilyen üzemmódban való használatához szükséges további, aktív szén alapú szűrőrendszer installálása.

VEZÉRLŐGOMBOK

A páraelszívó vezérlőpanellel felszerelt, amelyen egy szívósebesség-szabályozó és egy világítás-kapcsoló vezérlő található a főzőlap megvilágításához.



T1



T2



T3



T4



T5

Első sebességfokozat (T1)

Az első sebességfokozat aktiválásához nyomja meg a **T1** gombot. Amikor a funkció aktív, a LED folyamatosan világít. A páraelszívó lekapcsolásához ismét nyomja meg a **T1** gombot.

Második sebességfokozat (T2)

A második sebességfokozat aktiválásához nyomja meg a **T2** gombot. Amikor a funkció aktív, a LED folyamatosan világít. A páraelszívó lekapcsolásához ismét nyomja meg a **T2** gombot.

Harmadik sebességfokozat és BOOSTER (intenzív fokozat) (T3)

Ha a páraelszívó ki van kapcsolva, illetve az első vagy a második sebességfokozat aktív, a harmadik sebességfokozat a **T3** gomb megnyomásával aktiválható. A LED folyamatosan világít.

Ha ismét megnyomja a **T3** gombot, bekapcsol a booster. A booster fokozatot csak akkor lehet bekapcsolni, ha a harmadik sebességfokozat már aktív. Ha a booster fokozat be van kapcsolva, a **T3** gomb LED-je villogni kezd. A booster fokozat működése közben a **T1** vagy a **T2** gomb megnyomásával az első vagy a második sebességfokozatra ugorhat, ekkor a booster (intenzív) fokozat kikapcsol, a kiválasztott sebességfokozat pedig bekapcsol.

Amikor a booster fokozat be van kapcsolva, a páraelszívó lekapcsolásához ismét nyomja meg a **T3** gombot.

5 perc után a booster fokozat automatikusan lekapcsol és automatikusan bekapcsol a harmadik sebességfokozat.

Időzítő (T4)

Az időzítőt akkor lehet bekapcsolni, amikor az első, a második vagy a harmadik sebességfokozat aktív. Ha a funkció be van kapcsolva, mind az időzítő (**T4**) LED-je, mind az előzőleg kiválasztott sebességfokozat (**T1/T2/T3**) LED-je folyamatosan világít. Az időzítő időtartama a kiválasztott sebességfokozattól függ:

Első sebességfokozat **T1 = időtartama 20 perc**

Második sebességfokozat **T2 = időtartama 15 perc**

Harmadik sebességfokozat: **T3 = időtartama 10 perc.**

Az időzítőt nem lehet bekapcsolni, ha a booster fokozat aktív. Az időtartam lejártával a páraelszívó kikapcsol. Amikor egy sebességfokozat időzített, a kívánt sebességfokozat gombjának megnyomásával egy másik sebességfokozatra ugorhat, ez a művelet lekapcsolja az időzítőt.

Amikor egy sebességfokozat időzített, az időzítőt a **T4** gomb megnyomásával vagy a másik két, nem aktív sebességfokozat egyikének megnyomásával lehet lekapcsolni. A páraelszívó lekapcsolásához ismét nyomja meg azt a sebességfokozatot, amelyre előzőleg alkalmazta az időzítést.

Világítás (T5)

A világítást a **T5** gomb megnyomásával bármikor aktiválhatja. Amikor a funkció aktív, a LED folyamatosan világít.

A szűrő beállítása

A szűrő jelzőinek be- és kikapcsolását csak kikapcsolt állapotban lévő páraelszívóval lehet elvégezni.

A beállítás menüjébe lépéshez nyomja meg hosszan a **T2+T3** gombokat, ha belépett a menübe, a **T1** villogni kezd.

Az alapértelmezett beállítás:

– **zsirszűrő** jelző (**T2**) világít, tehát aktív;

– **szagszűrő** jelző (**T3**) ki van kapcsolva, tehát nem aktív.

A **T2** gomb bekapcsolja/kikapcsolja a zsírszűrő jelzőjét. A **T3** gomb bekapcsolja/kikapcsolja a szagszűrő jelzőjét. A menüből kilépéshez nyomja meg hosszan a **T1** gombot vagy várjon **10 másodpercet**

A szűrő visszaállítása

A páraelszívó rendszeres időközönként jelzi, hogy a szűrőkön karbantartást kell végezni:

– zsírszűrő **40 óránként**;

– szagszűrő **160 óránként**.

Ilyenkor ha a felhasználó a kikapcsolt páraelszívó bármelyik gombját megérinti, a felület **10 másodpercen** keresztül két típusú feladatot jelez:

– ha a **T1+T2** villog: **zsírszűrő karbantartása**;

– ha a **T1+T3** villog: **szagszűrő karbantartása**.

A 10 másodperc során a **T1+T2** gombok megnyomásával visszaállítható a zsírszűrő, a **T1+T3** gombok megnyomásával pedig visszaállítható a szagszűrő. A visszaállítás végén a gomb-kombinációk gyorsan villognak kétszer. A felület most már a szokásos módon működik.

Figyelem:

A 10 másodperc során a páraelszívó rendeltetésszerűen működik, de a sebességfokozatokat jelző gombokon nem látható visszajelzés. Ha a 10 másodperc során nem végez műveleteket, a LED-ek nem villognak tovább és a vizuális visszajelzések visszatérnek a normál működéshez.

KARBANTARTÁS

Tisztítás

A tisztításhoz **KIZÁRÓLAG** semleges folyékony mosószerrel átitatott nedves ruhát használjon. **A TISZTÍTÁSHOZ NINCS SZÜKSÉG SEMMILYEN ESZKÖZRE.** Kerülje a súrolószert tartalmazó mosószerek használatát. **NE HASZNÁLJON ALKOHOLT!**

Külső elszívőpanel

Az elszívő panel külső felületét a zsírszűrővel megegyező gyakorisággal tisztítsa; puha ronggyal, és nem tömény folyékony tisztítószerekkel. Soha ne alkalmazzon súrolószert.

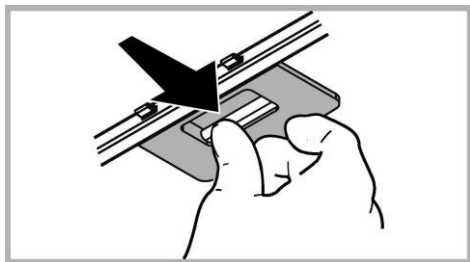
Zsírszűrők karbantartása

Visszatartja a főzésből eredő zsírrészecskéket.

Havonta egyszer nem agresszív tisztítószerekkel, kézzel vagy mosogatógépben, alacsony hőfokon és rövid ciklussal el kell mosogatni.

Mosogatógépben történő mosogatás a zsírszűrő elszíneződését okozhatja, de ez nem változtat hatékonyságán.

A zsírszűrő filter leszereléséhez húzza meg a rugós horgot.



Szénfilter karbantartása

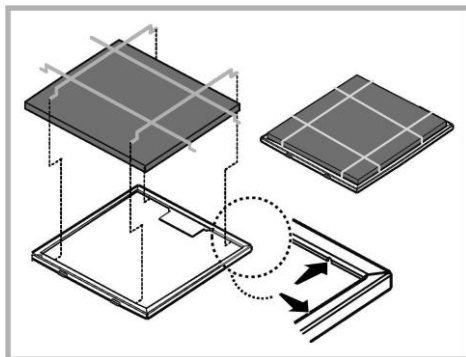
Magában tartja a főzésből származó kellemetlen szagokat. Matracszerű betétes szűrő (tartozék a termékhez).

A szénfiltert kéthavonta (vagy amikor a filter telítődést jelző rendszer – ha van ilyen az Ön készülékén – jelzi ennek szükségességét) ki lehet mosni melegvíz és megfelelő mosószer segítségével, vagy mosogatógépben 65°C hőfokon (mosogatógépben történő mosogatás esetén futtasson le egy teljes mosogatási ciklust, de más edény ne legyen a gépben).

A filter károsítása nélkül távolítsa el a főlősleges vizet, majd helyezze 10 percre a sütőbe 100°C hőmérsékleten, ezzel teljesen kiszáritja.

A filterpaplant 3 évenként kell újra cserélni, valamint bármikor, ha megsérül.

A matracszerű betétes szűrő helyettesíthető a kör alakú szénszűrővel.



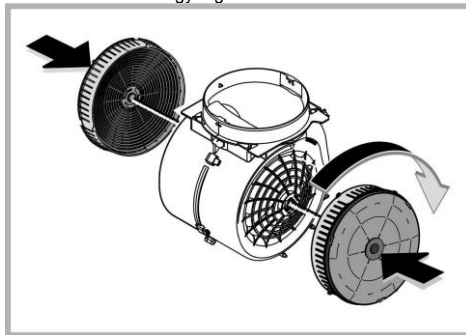
Kör alakú szénfilter

A motorforgató védőrács takarásához mindkét oldalra helyezzen fel egyet, majd forgassa az óramutató járásával megegyező irányban.

Szét szereléshez forgassa az óramutató járásával ellentétes irányban.

A szénfilter telítődése többé vagy kevésbé hosszú idő alatt történik meg, a tüzhely típusától és a zsírszűrő tisztogatásának rendszerességétől függően. Mindenképpen cserélni kell a betétet legalább négyhavonként.

NEM lehet kimosni vagy regenerálni



Izzók cseréje

Az elszívő LED technológiára épülő világítási rendszerrel van felszerelve.

A LEDEK optimális megvilágítást biztosítanak, a hagyományos lámpák élettartamánál 10-szer nagyobb élettartammal rendelkeznek, mindemellett 90%-os elektromos energia megtakarítást tesznek lehetővé.

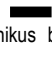
A világítási rendszer cseréjét nem végezheti a felhasználó, működési rendellenesség esetén lépjen kapcsolatba a műszaki szervizszolgálattal.

HULLADÉK KEZELÉS

A készüléken található jelzés megfelel az elektromos és elektronikus berendezések hulladékairól szóló 2012/19/EC - UK SI 2013 No.3113 európai irányelvben (WEEE) foglalt előírásoknak.

A hulladékká vált termék szabályszerű elhelyezésével Ön segít elkerülni a környezettel és az emberi egészséggel kapcsolatos azonnali esetleges negatív következményeket, amelyeket a termék nem megfelelő hulladékkezelése egyébként okozhatna.



A terméken vagy a termékhez mellékelte dokumentumokon feltüntetett  jelzés arra utal, hogy ez a termék nem kezelhető háztartási hulladékként. Ehelyett a terméket a villamos és elektronikus berendezések újrahasznosítását végző telephelyek valamelyikén kell leadni.

Kiselejtezőskor a hulladékéltávolításra vonatkozó helyi környezetvédelmi előírások szerint kell eljárni.

A termék kezelésével, hasznosításával és újrahasznosításával kapcsolatos bővebb tájékoztatásért forduljon a lakóhelye szerinti polgármesteri hivatalhoz, a háztartási hulladékok kezelését végző társasághoz vagy ahhoz a boltához, ahol a terméket vásárolta.

A berendezést a következő szabványoknak megfelelően tervezték, gyártották, és ellenőrizték:

- Biztonság: EN/IEC 60335-1; EN/IEC 60335-2-31, EN/IEC 62233.
- Teljesítmény: EN/IEC 61591; ISO 5167-1; ISO 5167-3; ISO 5168; EN/IEC 60704-1; EN/IEC 60704-2-13; EN/IEC 60704-3; ISO 3741; EN 50564; IEC 62301.
- Elektromágneses összeférhetőség EMC: EN 55014-1; CISPR 14-1; EN 55014-2; CISPR 14-2; EN/IEC 61000-3-2; EN/IEC 61000-3-3.

A megfelelő használatot és a környezetre gyakorolt káros hatás mérséklését elősegítő javaslatok: Az elszívót a minimum sebességen kapcsolja be akkor, amikor a főzést megkezdji, és hagyja néhány percig üzemelni még azt követően is, hogy a főzést befejezte. A berendezést csak akkor kapcsolja nagyobb sebességfokozatra, ha a főzés közben nagy mennyiségű füst vagy gőz keletkezik, és csak akkor használja az intenzív sebességet, ha arra ténylegesen szükség van. Cserélje ki a szénszűrőket akkor, amikor a berendezés jelzi ennek szükségességét, így biztosíthatja, hogy a készülék hatékonyan nyeli el a szagokat. A megfelelő szűrőképesség biztosítása érdekében cserélje ki a zsírszűrőt akkor, amikor a berendezés erre figyelmeztet. A hatékonyság növelése és a zajszint csökkentése érdekében tanácsos a jelen útmutató által megadott maximális csőátmérőket alkalmazni.



MŰKÖDÉSI HIBÁK

Amennyiben úgy tapasztalja, hogy valami nem működik, mielőtt a Szervíz szolgálathoz fordulna, próbálja elvégezni az alábbi egyszerű ellenőrzéseket:

- Ha az elszívó nem működik
Ellenőrizze, hogy:
 - nincs-e áramkimaradás.
 - be van-e állítva a sebesség.
- Ha az elszívó alacsony teljesítményű
Ellenőrizze, hogy:
 - A kiválasztott motorsebesség megfelelő-e a keletkezett füst- és gőz elvezetésére
 - A konyha megfelelően szellőzőt-e a működéshez szükséges levegő biztosításához.
 - A szénfilter nem használódott-e el (kivezetett verziójú páraelszívó).
- Ha az elszívó normál működés közben állt le:
Ellenőrizze, hogy:
 - nincs-e áramkimaradás.
 - a biztosíték nem kapcsolódott-e le.

Az esetleges működési hibák esetén, mielőtt a szakszervízhez fordulna, húzza ki a készülék villásdugóját az elektromos hálózathoz legalább 5 másodpercre, majd próbálja újra áram alá helyezni. Amennyiben a hiba továbbra is fennáll, forduljon a szakszervízhez.

MŰSZAKI ADATOK

Magasság (cm)	Szélesség (cm)	Mélység (cm)	Kivezetőcső átmérője (cm)
 71-104,5	59,8 - 79,8	32,6	15
 79,5-104,5			

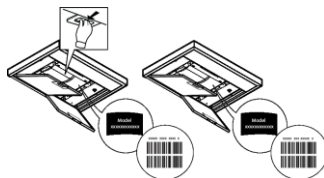


Készletben nem mellékelt termékek



A Biztonsági útmutatót, a Használati útmutatót, a termékspecifikációt és az energiafogyasztási adatokat letöltheti:

- a docs.whirlpool.eu honlapról
- a QR-kód segítségével
- Vagy **vegye fel a kapcsolatot a vevőszolgálattal** (a telefonszámot lásd a garanciafüzetben). Amikor a vevőszolgálatot hívja, kérjük, hogy készítse elő a termék azonosító lemezén látható adatokat.



SIGURANȚĂ GENERALĂ

- Înainte de orice operațiune de curățare sau de întreținere, deconectați hota de la rețea prin scoaterea ștecherului sau deconectați sursa de alimentare cu energie.
 - Purtați întotdeauna mănuși de lucru pentru toate operațiunile de instalare și întreținere.
 - Acest aparat poate fi folosit de copii cu vârsta peste 8 ani și persoane cu capacități fizice, senzoriale sau mentale reduse sau lipsite de experiență și cunoștințe, dacă sunt sub supraveghere și au fost instruite cu privire la utilizarea aparatului în condiții de siguranță și înțeleg riscurile implicate.
 - Copiiiilor nu trebuie să li se permită să manipuleze comenzile sau să se joace cu aparatul.
 - Curățarea și întreținerea nu se face de către copii fără supraveghere.
 - Locul în care este instalat aparatul trebuie să fie ventilat suficient, în cazul în care hota de bucătărie se utilizează împreună cu alte dispozitive de ardere a gazelor sau a altor combustibili.
 - Hota trebuie să fie curățată în mod regulat atât în interior cât și în exterior (cel puțin o dată pe lună).
 - Trebuie să se respecte în mod expres ceea ce este indicat în Instrucțiunile de întreținere.
 - Defectarea capotei de curățare a aparatului, schimbarea și curățarea filtrelor poate provoca incendii.
 - Gătirea alimentelor cu foc cu flacără direct sub hotă este strict interzisă.
 - Pentru înlocuirea becurilor, utilizați numai tipul de becuri indicat în secțiunea **Întreținere/Înlocuirea becurilor** din acest manual.
- Utilizarea flăcării este dăunătoare filtrelor și poate provoca risc de incendiu; prin urmare, trebuie evitată în orice situație. Orice prăjire trebuie să se facă cu grijă, pentru a se asigura că uleiul nu se supraîncălzeste și aprinde.
- AVERTISMENT:** Părțile accesibile ale hotei pot deveni fierbinti pe durata utilizării.
- Nu conectați aparatul la rețeaua electrică până când instalarea este până când instalarea nu este complet terminată.
 - În ceea ce privește măsurile tehnice și de siguranță care trebuie adoptate pentru evacuarea fumului, este important să se urmărească îndeaproape normele locale.
 - Sistemul de evacuare a fumului pentru acest aparat nu trebuie să fie conectat la nici un sistem de ventilație existent care este folosit în alte scopuri, cum ar fi evacuarea gazelor de ardere rezultate de la aparatele consumatoare de gaz sau alți combustibili.
- ▲ ATENȚIE!** Neinstalarea șuruburilor sau a dispozitivului de fixare în conformitate cu aceste instrucțiuni poate duce la pericolul de natură electrică.
- Nu folosiți și nu lăsați hota fără bec montat corect din cauza riscului de electrocutare.
 - Nu folosiți niciodată hota fără ca aceasta să aibă grilele montate în mod eficient.
 - Hota nu trebuie utilizată **NICIODATĂ** ca suprafață de sprijin dacă acest lucru nu este precizat în mod expres.

- Folosiți numai șuruburile de fixare furnizate împreună cu produsul pentru instalare sau, în cazul în care nu sunt incluse, achiziționați tipul corespunzător de șuruburi.
- Utilizați lungimea corectă pentru șuruburile identificate în Ghidul de instalare.
- În caz de incertitudine, consultați un centru de asistență service autorizat sau o persoană cu calificare corespunzătoare.

▲ **ATENȚIE!** Nu utilizați cu un temporizator, timer, o telecomandă separată sau orice alt dispozitiv care este activat automat.

Nu permiteți copiilor cu vârstă sub 3 ani să se apropie de aparat. Nu lăsați aparatul la îndemâna copiilor cu vârstă sub 8 ani, decât sub supravegherea continuă a unui adult.

▲ **ATENȚIE:** aparatul nu este destinat punerii în funcțiune prin intermediul unui dispozitiv extern sau al unui sistem separat de comandă de la distanță.

▲ Acest aparat nu este destinat uzului profesional. Nu utilizați aparatul în aer liber.

▲ Pentru a evita pericolul de accidentare, aparatul trebuie să fie manevrat și instalat de două sau mai multe persoane.

▲ Operațiunile de instalare, inclusiv eventualele racordări la linia de alimentare cu apă (dacă sunt prevăzute) și legăturile electrice, precum și lucrările de reparație trebuie să fie efectuate de personal calificat.

După terminarea operațiunilor de instalare, nu lăsați materialele folosite pentru ambalare (bucăți din plastic, polistiren etc.) la îndemâna copiilor, pentru a evita pericolul de sufocare. .

Nu folosiți aparatul dacă aveți părți ale corpului umede sau dacă sunteți desculți.

Nu folosiți niciodată aparate de curățat cu aburi - pericol de electrocutare.



Materialele folosite pentru ambalare sunt 100% reciclabile și sunt marcate cu simbolul de reciclare

Hota poate fi din punct de vedere estetic diferită față de cea ilustrată în desenele acestui manual, totuși instrucțiunile de utilizare, întreținere și instalare rămân aceleași.

Urmăriți îndeaproape instrucțiunile conținute în acest manual. Producătorul își declină orice responsabilitate în cazul daunelor sau incendiilor provocate aparatului și derivate dintr-o utilizare incorectă și din nerespectarea instrucțiunilor conținute în acest manual. Hota a fost proiectată pentru aspirarea gazelor arse și vaporilor rezultați în urma gătirii alimentelor și este destinată doar utilizării casnice.

- Este important să păstrați acest manual pentru a-l putea consulta în orice moment. În caz de vânzare, cesiune sau mutare, asigurați-vă că acesta rămâne împreună cu produsul.
- Citiți cu atenție instrucțiunile: există informații importante privind instalarea, utilizarea și siguranța.
- Nu efectuați modificări de tip electric sau mecanic asupra produsului sau asupra țevilor de evacuare.
- Înainte de instalarea aparatului, verificați dacă toate componentele nu sunt deteriorate. În caz contrar, contactați furnizorul și nu continuați cu instalarea.

• Distanța minimă între suprafața suportului recipientelor pe dispozitivul de gătit și partea de jos a hotei nu trebuie să fie mai mică de 45cm în cazul mașinilor de gătit electrice și de 65cm în cazul mașinilor de gătit cu gaz sau mixte.

Dacă instrucțiunile dispozitivului de gătit cu gaz specifică o distanță mai mare, este necesar să țineți cont de aceasta.

CONEXAREA ELECTRICĂ

Tensiunea din rețea trebuie să corespundă cu tensiunea la care se referă eticheta situată în interiorul hotei. Dacă este prevăzută cu ștecher conectați hota la o priză conform cu normele în vigoare, poziționată într-o zonă accesibilă și după instalare. Dacă

nu este prevăzută cu ștecher (conexiunea este direct la rețea) sau ștecherul nu este poziționat într-o zonă accesibilă și după instalare, aplicați un întrerupător bipolar la normă care să asigure deconectarea completă de la rețea în condițiile categoriei de supratensiune III, conform regulilor de instalare.


▲ ATENȚIE! Înainte de a efectua conectarea circuitului hotei la alimentația din rețea și de a verifica funcționarea corectă, controlați întotdeauna dacă cablul a fost montat în mod corect.

În cazul în care cablul nu este prevăzută cu unștecher, conectați-l respectând datele din următorul tabel:

Tensiunea și frecvența rețelei electrice

Consultați valoarea indicată pe eticheta cu caracteristici, aplicată în interiorul hotei.

Conexiune cablu

 : galben/verde
N : albastru
L : maro

Inlocuirea cablului de alimentare

Hota este prevăzută cu un cablu de alimentare special; în cazul deteriorării acestuia, apălați la serviciul de asistență tehnică.

EVACUAREA AERULUI

(pentru versiunile cu ventilație)

Racordați hota la cablurile și orificiile de evacuare prin perete cu diametru egal cu ieșirea aerului (flanșa de record).

Utilizarea tuburilor și orificiilor de evacuare la perete cu diametrul mai mic va determina o diminuare a prestațiilor de aspirare și o creștere drastică a zgomotului.

Se declină însă orice responsabilitate în acest sens.

! Folosiți un tub de lungime minimă indispensabilă.

! Folosiți un tub cu un număr cât mai mic de curbe posibil (unghiul maxim al curbei: 90°).

! Evitați schimbările drastice de secțiune ale tubului.

! Producătorul și declină orice responsabilitate dacă aceste măsuri de siguranță nu sunt respectate.

FILTRANTA SAU CU VENTILATIE ?

! Hota dumneavoastră este gata pentru a fi folosită în versiunea cu ventilație.

Pentru a utiliza hota în versiune filtrantă, se instalează SETUL DE ACCESORII corespunzător.

Verificați primele pagini ale acestui manual, dacă SETUL DE ACCESORII este deja furnizat sau trebuie să fie achiziționat separat.

Notă: Dacă este furnizat, în unele cazuri, sistemul de filtrare suplimentar pe bază de cărbune activ poate să fie deja instalat pe hotă.

Informațiile referitoare la trecerea hotei din versiunea cu ventilație în cea filtrantă sunt deja conținute în acest manual.

Versiunea aspirantă

Vaporii sunt evacuați către exterior prin intermediul unui tub de evacuare fixat la flanșa de racord.

▲ ATENȚIE!

Tubul de evacuare nu se furnizează din dotare; acesta trebuie achiziționat.

Diametrul tubului de evacuare trebuie să fie echivalent cu diametrul inelului de conexiune.

▲ ATENȚIE!

Dacă hota este prevăzută cu filtre de carbon, acestea trebuie să fie scoase.

Versiunea filtrantă

Aerul aspirat va fi degresat și dezodorizat înainte de a fi reintrodus în cameră. Pentru a utiliza hota în această versiune este necesar să instalați un sistem de filtrare suplimentar pe bază de carbon activ.

COMENZI

Hota este echipată cu un panou de comenzi pentru controlul vitezei de aspirație și controlul aprinderii luminii, pentru iluminarea plitei.



T1



T2



T3



T4



T5

Viteza întâi (T1)

Apăsați pe **T1** pentru a activa viteza întâi. Când funcția este activată, indicatorul luminos se aprinde cu lumină fixă. Apăsați din nou pe **T1** pentru a opri hota.

Viteza a doua (T2)

Apăsați pe **T2** pentru a activa viteza a doua. Când funcția este activată, indicatorul luminos se aprinde cu lumină fixă. Apăsați din nou pe **T2** pentru a opri hota.

Viteza a treia și BOOSTER (Amplificare) (T3)

Atunci când hota este dezactivată, sau când sunt activate viteza întâi sau a doua, viteza a treia poate fi activată prin apăsarea butonului **T3** și indicatorul luminos se va aprinde, cu lumină fixă.

O nouă apăsare a butonului **T3** va determina activarea funcției booster. Funcția booster poate fi activată numai după ce viteza a treia a fost deja activată. Când funcția booster este pornită, indicatorul luminos **T3** va începe să clipească. În timp ce funcția booster este în funcțiune, se poate trece la viteza întâi sau a doua, apăsând pe butonul vitezei dorite **T1** sau **T2**, funcția booster se va opri, iar viteza selectată va fi activată.

Când funcția booster este pornită, apăsați din nou butonul **T3** pentru a opri hota.

După 5', funcția booster se va opri automat, iar viteza a treia va fi activată automat.

Temporizator (T4)

Temporizatorul poate fi activat atunci când este activată viteza întâi, a doua sau a treia. Când funcția este activată, atât indicatorul luminos al Temporizatorului (**T4**) cât și cel aferent vitezei selectate în prealabil (**T1/T2/T3**) se vor aprinde cu lumină fixă.

Durata temporizatorului depinde de viteza selectată:

Viteza întâi **T1 = durată 20'**

Viteza a doua **T2 = durată 15'**

Viteza a treia: **T3 = durată 10'**

Temporizatorul nu poate fi activat, când este activată funcția booster. După expirarea intervalului de timp, hota se va opri. Atunci când o viteză este temporizată, se poate trece la alte viteze, apăsând pe butonul vitezei dorite; această operațiune va determina oprirea temporizatorului.

Atunci când o viteză este temporizată, temporizatorul poate fi dezactivat prin apăsarea butonului **T4**, sau prin selectarea uneia dintre celelalte două viteze neactivate. Pentru a opri hota, apăsați din nou viteza pentru care în prealabil a fost activată temporizarea.

Lumină (T5)

Lumina poate fi activată în orice moment, prin apăsarea tastei **T5**. Când funcția este activată, indicatorul luminos se aprinde cu lumină fixă.

Setare filtru

Activarea sau dezactivarea indicatoarelor filtrului este posibilă numai cu hota oprită.

Pentru a accesa meniul de configurare, apăsați lung pe **T2+T3**, iar o dată accesat meniul, tasta **T1** va începe să clipească.

Setarea predefinită este următoarea:

- **filtru de reținere a grăsimilor** indicator (**T2**) aprins, deci activat;
- **filtru de reținere a mirosurilor** indicator (**T3**) stins, deci neactivat.

T2 activează/dezactivează indicatorul filtrului de reținere a grăsimilor. **T3** activează/dezactivează indicatorul filtrului de reținere a mirosurilor. Pentru a ieși din meniu, apăsați lung pe **T1** sau așteptați **10"**

Restabilire filtru

La intervale regulate de timp, hota semnalează faptul că este necesară întreținerea filtrelor:

- filtru de reținere a grăsimilor, o dată la **40 de ore**;
- filtru de reținere a mirosurilor, o dată la **160 de ore**.

În acest caz, cu hota oprită, când utilizatorul va atinge un buton oarecare, interfața va semnala timp de **10"** două tipuri de solicitări:

- dacă tastele **T1+T2** clipește: **întreținere filtru de reținere a grăsimilor**;
- dacă tastele **T1+T3** clipește: **întreținere filtru de reținere a mirosurilor**.

Pe durata celor **10"**, va fi posibilă restabilirea filtrului de reținere a grăsimilor, apăsând pe **T1+T2** și restabilirea filtrului de reținere a mirosurilor, apăsând pe **T1+T3**. După finalizarea operațiunii de restabilire, perechile de taste se vor aprinde intermitent rapid, de două ori. După aceea, interfața va funcționa ca de obicei.

Atenție:

Pe durata celor **10"**, hota va funcționa normal, însă nu se vor transmite semnale de tip vizual pe butoanele de viteză. Dacă pe durata celor **10"** nu se efectuează nicio operațiune, indicatoarele luminoase nu vor mai clipi, iar semnalele de tip vizual vor reveni la normal.

ÎNTREȚINEREA

Curățarea

Pentru curățare folosiți **EXCLUSIV** un material îmbibat cu detergenți lichizi neutri. **NU UTILIZAȚI UNELTE SAU INSTRUMENTE PENTRU CURĂȚARE !** Evitați folosirea produselor pe bază de abrazivi **NU FOLOSIȚI ALCOOL !**

Întreținerea panoului

Curățați panoul de aspirare perimetral cu aceeași frecvență a filtrului anti-grăsime, folosiți o cârpă și un detergent lichid nu foarte concentrat. Nu folosiți niciodată substanțe abrazive.

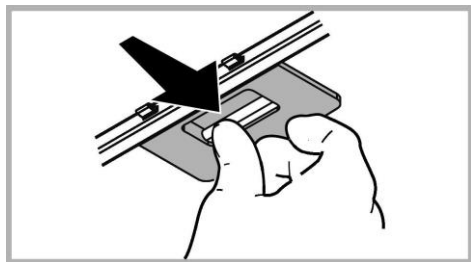
Întreținere filtri antigrăsime

Captează particulele de grăsime care apar în timpul pregătirii alimentelor.

Trebuie curățat o dată pe lună cu detergenți neabrazivi, manual sau utilizând mașina de spălat vase, la temperaturi scăzute și folosind un program scurt.

Filtrul metalic anti-grăsime, spălat cu mașina de spălat vase se poate decolora, dar nu-și va pierde caracteristicile de filtrare.

Pentru demontarea filtrului trageți mânerul de prindere cu resort.



Întreținere filtru cu cărbune activ

Reține mirosurile neplăcute, derivate în urma procesului de gătire a alimentelor.

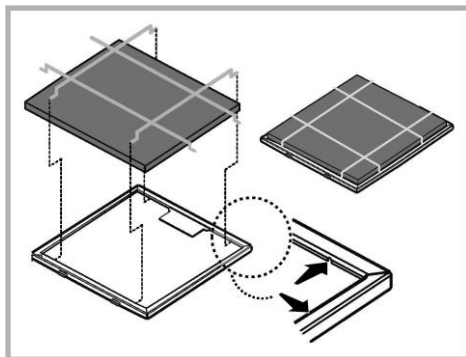
Filtru pentru saltea (furnizat împreună cu produsul).

Filtrul de cărbune trebuie să fie spălat la fiecare 2 luni (sau când sistemul de semnalare a saturației filtrelor – dacă modelul dvs. este prevăzut – indică această necesitate) în apă caldă și detergenți specifici sau în mașina de spălat vase la 65°C (în cazul în care îl spălați folosind mașina de spălat, executați un program de spălare complet fără a introduce alte vase).

Înlăturați excesul de apă, fără să deteriorați filtrul după care introduceți-l în cuptor pentru aproximativ 10 minute la 100 °C, pentru a-l usca complet.

Înlocuiți buretele la fiecare 3 ani sau de fiecare dată când acesta se deteriorează.

Filtrul pentru saltea poate fi înlocuit cu Filtrul de carbon circular.

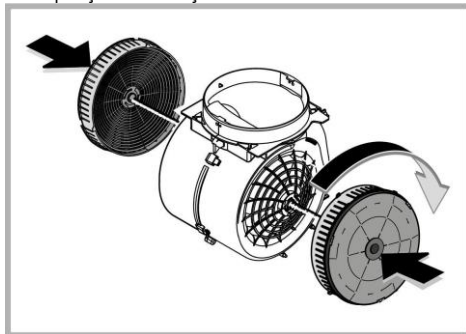


Filtru de cărbune circular

Aplicați unul pe margine pentru acoperirea ambelor grilaje de protecție a rotorului motorului, apoi rotiți în sens orar.

Pentru demontare rotiți în sens antiorar.

Saturația filtrului de cărbune depinde de folosirea mai mult sau mai puțin prelungită a tipului de mașina de gătit precum și de curățarea regulată a filtrului pentru grăsime. În orice caz, cartușul filtrului trebuie înlocuit cel mult la fiecare patru luni. **NU-l spălați sau refoșiți.**



Înlocuirea becurilor

Hota este dotată cu un sistem de iluminare bazat pe tehnologia LED.

LEDURILE garantează o iluminare optimă, o durată de până la 10 ori mai mare față de becurile tradiționale și permit economisirea a 90% de energia electrică.


Sistemul de iluminat nu poate fi schimbat de către utilizator. În caz de probleme de funcționare, adresați-vă departamentului de asistență.

ELIMINARE

Acest aparat este marcat în conformitate cu Directiva Europeană 2012/19/EC - UK SI 2013 No.3113 referitoare la Deșeurile de Echipament Electric și Electronic (WEEE).

Asigurându-vă că acest produs este eliminat în mod corect, contribuiți la prevenirea potențialelor consecințe negative asupra mediului înconjurător și sănătății persoanelor, consecințe care ar putea fi provocate de aruncarea necorespunzătoare la gunoi a acestui produs.



Simbolul  de pe produs, sau de pe documentele care însoțesc produsul, indică faptul că acesta nu poate fi aruncat împreună cu deșeurile menajere. Trebuie predat la punctul de colectare corespunzător, pentru reciclarea echipamentului electric și electronic.

Aruncarea la gunoi a aparatului trebuie făcută în conformitate cu normele locale pentru eliminarea deșeurilor.

Pentru informații mai detaliate privind eliminarea, valorificarea și reciclarea acestui produs, vă rugăm să contactați administrația locală, serviciul de eliminare a deșeurilor menajere sau magazinul de unde ați cumpărat produsul.

Aparat proiectat, testat și fabricat în conformitate cu:

- Siguranță: EN/IEC 60335-1; EN/IEC 60335-2-31, EN/IEC 62233.
- Randament: EN/IEC 61591; ISO 5167-1; ISO 5167-3; ISO 5168; EN/IEC 60704-1; EN/IEC 60704-2-13; EN/IEC 60704-3; ISO 3741; EN 50564; IEC 62301.
- EMC: EN 55014-1; CISPR 14-1; EN 55014-2; CISPR 14-2; EN/IEC 61000-3-2; EN/IEC 61000-3-3.

Recomandări pentru o utilizare corespunzătoare în scopul reducerii impactului asupra mediului: Când începeți să gătiți, porniți hota la viteză minimă și lăsați-o să funcționeze timp câteva minute după ce ați terminat de gătit. Măriți viteza în cazul cantităților mari de fum sau vapori și utilizați viteza/ele sporită/e doar în cazuri extreme. Înlocuiți filtrul/ele de carbon, atunci când este necesar, pentru a menține o eficiență optimă de reducere a mirosului. Curățați filtrul/ele de grăsime, atunci când este necesar, pentru a menține o eficiență optimă a filtrului. Utilizați diametrul maxim al sistemului de conducte indicat în acest manual pentru a optimiza eficiența și pentru a reduce la minimum nivelul de zgomot.



ANOMALII DE FUNCȚIONARE

Dacă ceva nu pare să funcționeze, înainte de a face un apel la Serviciul de Asistență, efectuați următoarele verificări simple:

- Dacă hota nu funcționează:
Verificați dacă:
 - nu este vorba de o pană de curent.
 - a fost selecționată o viteză.
- Dacă hota are un randament redus: Verificați dacă:
 - Viteza selecționată pentru motor este suficientă pentru cantitatea de fum și vapori care este eliberată.
 - Bucătăria este aerată suficient pentru a permite priza de aer.
 - Filtrul cu cărbune nu este consumat (hota în versiunea filtrantă).
- Dacă hota s-a oprit în timpul funcționării normale: Verificați dacă:
 - nu este vorba de o pană de curent.
 - dispozitivul de comutare nu s-a decuplat.

În caz de defecțiuni, înainte de a contacta Serviciul de Asistență Tehnică, deconectați timp de cel puțin 5 sec. aparatul trăgând de ștecher și apoi conectați-l din nou. În cazul în care defecțiunea persistă, contactați Serviciul de asistență.

CARACTERISTICI TEHNICE

Înălțime (cm)	Lățime (cm)	Adâncime (cm)	Ø tubului de evacuare (cm)
 71-104,5	59,8 - 79,8	32,6	15
 79,5-104,5			



Componentele nu sunt furnizate împreună cu produsul



Puteți descărca instrucțiunile privind siguranța, manualul de utilizare, fișa tehnică a produsului și datele energetice:

- Vizitând site-ul nostru web docs.whirlpool.eu
- Utilizând codul QR
- Ca alternativă, **contactați serviciul nostru de asistență tehnică post-vânzare** (consultați numărul de telefon din certificatul de garanție). Când contactați serviciul nostru de asistență tehnică post-vânzare, vă rugăm să precizați codurile specificate pe plăcuța cu date de identificare a produsului dumneavoastră.

