

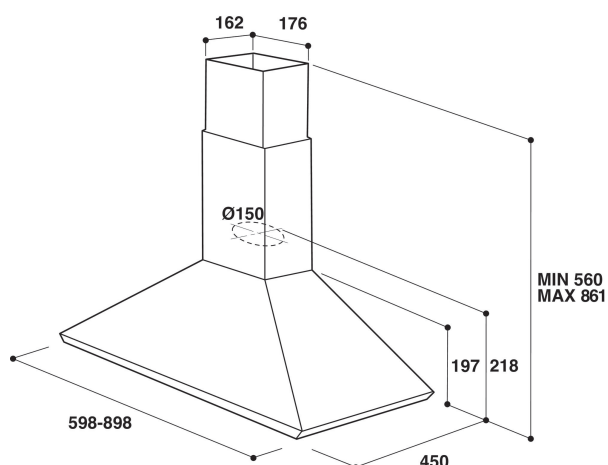
AKR 672 IX

12NC: 857867201000

EAN code: 8003437797682

Whirlpool

SENSING THE DIFFERENCE



MAIN FEATURES

Product group	Hood
Colour body	Inox
Material body	Stainless steel
Colour chimney	-
Material chimney	-
Typology	Chimney
Installation type	Wall-mounted
Type of control	Mechanical
Type of control setting and signalling devices	-
Decor panel options	N/A
Motor location	Integrated motor in hood body
Operating Mode	Convertible
Connection rating (W)	176
Current (A)	0,8
Voltage (V)	220-240
Frequency (Hz)	50-60
Length of Electrical Supply Cord (cm)	150
Plug type	Europlug
Height of the chimney (mm)	259-560
Height of product, without chimney (mm)	197
Height of the product	861
Width of the product	598
Depth of the product	450
Minimum niche height	0
Minimum niche width	0
Niche depth	0
Net weight (kg)	6.70

TECHNICAL FEATURES

Type of manual control devices	Slider
Type of automatic control devices	-
Number of motors	1
Total power of the motors (W)	120
Number of speed settings	3
Boost position	No
Maximum output air extraction (m3/h)	416
Boost position air extraction (m3/h)	0
Maximum output recirculating air (m3/h)	347
Boost position output recirculating (m3/h)	0
Light Control Type	Steps
Number of lights	2
Type of lamps used	Halogene bulb
Total power of the lamps (W)	56
Diameter of air outlet (mm)	150
No-return airflow flap	Yes
Grease filter material	Washable aluminium
Odour filter	No

ENERGY LABEL

Sound power at min. speed (2010/30/EC)	45
Sound power at max. speed (2010/30/EC)	61
Noise level with boost position (dB(A) re 1 pW)	0