

# EXTRACTOR OR FILTERING HOOD INSTALLATION

The minimum distance between the pan supports on the cooking appliance and the lowest part of the cooker hood must not be less than 50 cm for electric cookers or 65 cm for gas or combination cookers. If the installation instructions for the gas cooker specify a greater distance, this must be taken into account. Contact a qualified technician for installation.

**Do not connect the hood to the electrical power supply until installation is completed.**

**Warning!** Check whether the exhaust duct and clamps are provided. If not, they must be purchased separately.

**Extremely heavy product; hood handling and installation must be carried out by two or more persons.**

1. Mark a line on the wall, from the cooktop right up to the ceiling, corresponding to the centre-line of the hood.
2. Bearing in mind the minimum heights over the cooktop specified above, mark the height of the hood on the wall with a pencil. Apply the drilling template to the wall over this mark.
3. Using the template supplied, mark the holes, drill them and insert the rawlplugs, then fit the 2 hooks (if provided) or partly screw in 2 screws in the top holes.
4. Hang the hood and adjust the position using the adjustment screws on the hooks (if provided).  
**Note:** The hood **MUST** be secured with a further 2 screws, to be inserted in the top holes and (if provided) with 2 screws in the bottom holes.
5. Only for some models: mark the bottom holes (and top), remove the hood, drill, insert the rawlplugs (partly screw 2 screws into the top holes).
6. Fix the flue support to the wall as close as possible to the ceiling. For filter hoods, at this stage, also secure the deflector F1 with 2 screws if the flue is provided with top grilles (for flues with bottom grilles, see installation step "7").
7. Hang the hood on the wall again and fix in place with the screws. For filter versions (flues with bottom grilles), the deflector F2 must be fixed in place of the connector collar (model with fixture with 2 screws) or on the connector collar (model with 2 rear couplings and 1 front fixing screw).

**Extractor Version:** fumes are extracted and expelled to the outside through an exhaust duct fixed to the collar at the top of the hood.

**Caution!** If the hood is equipped with a carbon filter, this must be removed.

Exhaust air must not be conveyed through a flue used for removal of fumes produced by gas combustion appliances or other combustible materials, but must have an independent outlet. All national regulations governing extraction of fumes must be observed.

**Filter Hood:** Air is filtered through a carbon filter and recycled into the surrounding environment.

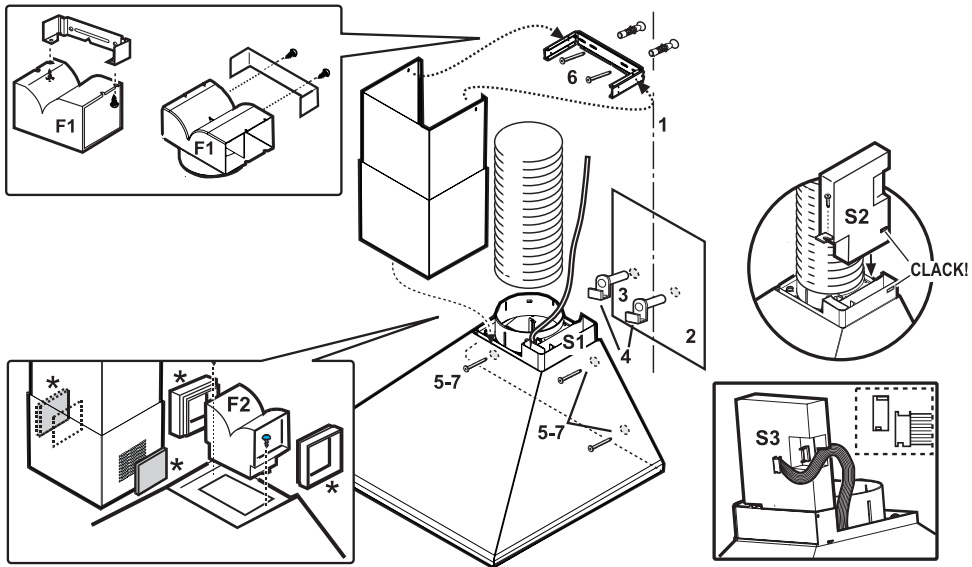
**Caution!** If the hood is not equipped with a carbon filter, one must be ordered and fitted prior to use.

## Installing the electronic control box

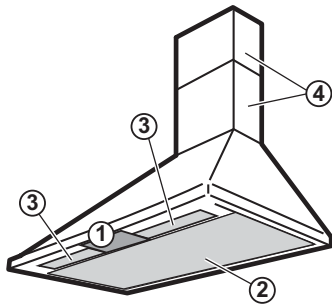
- If your hood has an electronic control box, **S2** snap-fit it into its housing **S1** and fix it in place with one screw.
- On models with electronic control panels, fit the card **S3** in the socket alongside the control box **S2**.

## Telescopic flue installation

- Connect the hood to the mains supply and fix the telescopic flue to the flue bracket with two screws. Slide the bottom section down into its seat on the top of the hood. Fit the side grilles if provided.



\* Only present on some models



### 1. Control panel.

Light :  
move the switch to the right or press the button to switch on.

Extraction speed :  
move the switch to the right or press the next button to increase extraction speed (or open the electric shutter) .

### 2. Grease filters.

### 3. Lamp covers

(or halogen lamps, depending on the model).

### 4. Telescopic flue.

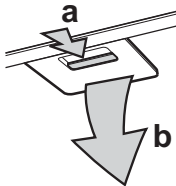
#### Grease filters:

Metal grease filters have an unlimited life and should be washed once a month either by hand or in a dishwasher at a low temperature and with a short cycle. Washing in a dishwasher can cause grease filters to turn white, but this in no way affects efficiency.

**a.** Press the handle to release the filter

**b.** Remove the filter.

Wash the filter and leave it to dry, proceeding in reverse order to refit it.



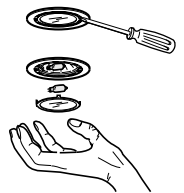
#### Bulb/s:

Remove the filters and remove the burnt-out bulb.

Refit the filters.

#### Halogen lamps:

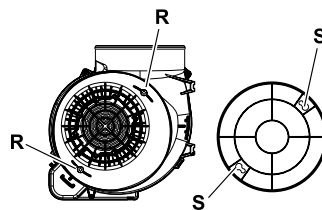
Use a small screwdriver or other suitable tool to prise off the cover. Snap-fit the cover back on.



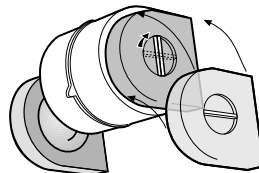
Use only max 40 W - E14 bulbs or max 20 W halogen bulbs (depending on the model), taking care not to touch them with your hands. Fitting or replacing the carbon filter (filter hoods only).

Change the carbon filter every six months.

1. Remove the grease filters.
2. Fit the filter/s over the motor according to the model:
  - Align the pins **R** on the cowl with the slots **S**, then turn the filter clockwise until it locks in place or
  - turn the central handle clockwise.
3. Reverse the above procedure to remove the carbon filter.
4. Refit the grease filters.




Or




## SAFEGUARDING THE ENVIRONMENT

### 1. Packaging

Packaging materials are 100% recyclable and are marked with the recycling symbol . Dispose of the appliance in conformity with local environmental regulations. Packaging materials (plastic bags, polystyrene, etc.) can be dangerous for children and should be kept well out of their reach.

### 2. Product

This appliance is marked in compliance with European Directive 2002/96/EC on Waste Electrical and Electronic Equipment (WEEE). By ensuring that this appliance is scrapped suitably, you can help prevent potentially damaging consequences for the environment and health.

The  symbol on the appliance or accompanying documentation indicates that this product should not be disposed of as unsorted municipal waste but must be taken to a collection point for the treatment of WEEE.

Disposal must be carried out in accordance with local environmental regulations for waste disposal.

For further information on the treatment, recovery and recycling of this appliance, contact your competent local authority, the collection service for household waste or the shop where you purchased the appliance.



## PRECAUTIONS AND GENERAL RECOMMENDATIONS

### WARNING!

- The appliance is not intended for use by young children or infirm persons without supervision.
- Young children should be supervised to ensure that they do not play with the appliance.

1. Do not connect the appliance to the mains electricity supply until installation is completed. Always disconnect the hood from the mains before performing any cleaning or maintenance.
2. Do not "flambé" food under the hood. Naked flames could cause a fire.
3. Do not leave pans unattended when frying. Cooking oil can catch fire.
4. Regular cleaning and maintenance is essential to correct functioning and good performance. Regularly remove dirt deposits. Regularly clean or replace filters. Never use flammable materials as hoses for extracted air.
5. If the hood is used together with non-electrically powered appliances, ambient negative pressure must not exceed 4Pa ( $4 \times 10^{-5}$  bars). Make sure the room is adequately ventilated.
6. If the hood is used in extractor mode together with cookers, ambient negative pressure must not exceed 4 Pa ( $4 \times 10^{-5}$  bars).
7. Exhaust air must not be conveyed through the same flue used by the heating system or other non-electrical appliances.
8. The room must be adequately ventilated when the hood is used together with appliances powered by gas or other fuels.
9. When replacing the bulbs, first ensure that they are cold.

Note: always wear work gloves for all installation and maintenance operations.

### Electrical connections

Before connecting the hood to the power supply, make sure the voltage specified on the dataplate matches that in your home. The dataplate is located inside the hood behind the grease filter. If the appliance is fitted with a power cable and plug, the plug must be placed in an accessible position.

If the hood does not come pre-fitted with a mains plug, fit one that conforms to applicable standards or use a double-pole switch with a minimum breaking gap of 3 mm.

Replacement of the power supply cable with power plug or flexible cable may only be carried out by an authorized Service Centre or a qualified electrician.

**WARNING: Before reconnecting the hood circuit to the mains power supply and checking correct operation, make sure the power cable is correctly fitted and that it was NOT crushed in the housing during installation.**

### Cleaning the hood

**Warning!** Failure to remove oil and grease (at least once a month) could lead to fire.

Use a soft cloth with a neutral detergent. Never use abrasive substances or alcohol.

### Before using the hood

Please read these instructions carefully and keep them for future reference, in order to ensure best use of your hood.

Packaging materials (plastic bags, polystyrene, etc.) can be dangerous for children and should be kept well out of their reach.

Make sure the hood has not been damaged during transport.

Installation, electrical connections and replacement of the power cable with a plug or new flexible cable must be carried out by a qualified technician in compliance with local safety regulations. This appliance is designed to be used only by adults.

### Declaration of conformity

This product has been designed, manufactured and sold in conformity to the following standards:

- safety objectives of "Low Voltage" Directive 73/23/EEC
- protection requirements of "EMC" Directive 89/336/EEC amended by Directive 93/68/EEC.

### Troubleshooting guide

The hood does not work:

- Is the plug properly inserted in the power socket?
- Is there a power failure?
- Has the fuse blown?

The hood is not extracting efficiently:

- Is the right speed selected?
- Do the filters need cleaning or replacing?
- Are the air outlets blocked?

The light does not work:

- Does the bulb need replacing?
- Is the bulb correctly fitted?
- Has the fuse blown?

### AFTER-SALES SERVICE

Before calling the After-sales Service

1. Check if you can fix the problem yourself (see "Troubleshooting guide").
2. Switch the hood off and then on again to check if the problem has gone.
3. If the problem persists, contact the After-sales Service.

#### Specify:

- the nature of the problem,
- the model of hood, stated on the data plate inside the hood, accessible by removing the grease filters.
- your full address,
- your telephone number and area code.
- the service code (the number appearing below the word SERVICE on the data plate inside the hood behind the grease filter).

If any repairs are needed, contact an authorized Service Centre (to ensure that only original spare parts are used and that repairs are made correctly).

Failure to comply with these instructions may compromise the safety and quality of the product.

**SERVICE**



0000 000 00000