

AKR 758 IXL

12NC: 857875801000

GTIN (EAN) code: 8003437218248

Whirlpool

SENSING THE DIFFERENCE



Whirlpool freestanding cooker hood: 90cm - AKR 758 IXL

This Whirlpool freestanding Cooker Hood features: dishwasher-safe, washable stainless steel grease filters. LED lights for ideal lighting. An outstanding cooker extractor fan, ensuring a fresh, grease-free cooking environment. Between 60cm and 90cm wide appliance. Exclusive 6th SENSE sensor technology that dynamically adjusts energy consumption, depending on what you are cooking.



LED lighting

Increased energy and cost efficiency. The LED lighting system lasts 10 times longer than traditional bulbs and uses 90% less energy.



Electronic control

Effortless control. This Whirlpool Hood includes an intuitive electronic user interface, designed to provide you with the simplest, most satisfying user experience ever.



High efficiency motor

Efficiency first. The motor in this Whirlpool Hood is designed to provide ideal filtration, while ensuring high energy efficiency.



5 Speeds

Versatile performance. This Whirlpool Hood offers 5 speed options, giving you complete control over the extraction rate.



Absolute Design Collection

This Whirlpool Hood is part of our Absolute Collection, featuring exquisite design and details. Enjoy both ideal functionality and outstanding elegance.



Total annual energy consumption

Ideal performance, outstanding savings. Whirlpool Hoods are designed to provide exceptional results, while reducing energy costs.



Stainless Steel Filter

Enjoy fresh air in your kitchen, always. This Whirlpool Hood includes a stainless steel purifying air filter, that effectively protects your kitchen from odours and grease.



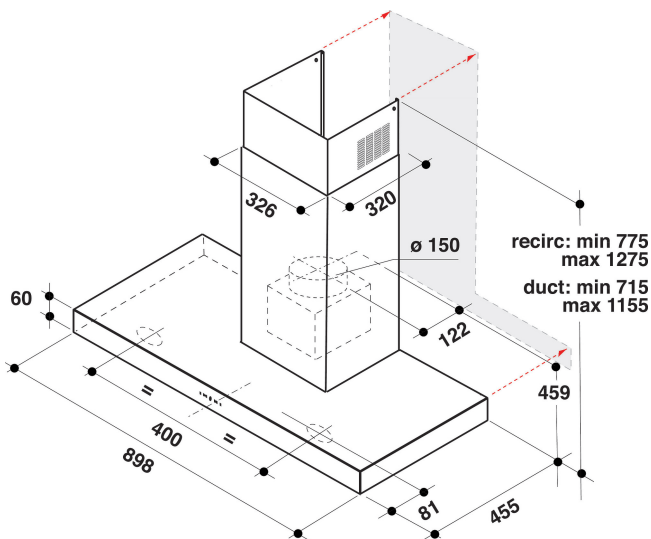
6th Sense Absolute

Easy interaction approach thanks to the intuitive icons on the UI.



iXelium

Long lasting shine. The revolutionary iXelium treatment protects your hood from scratches and ensures a perfect shine, always. And it's easy to clean: all you need is water and a soft cloth.



- iXelium finishing
- 6TH Sense technology
- Maximum noise level 66 dBA
- Noise Level (min. - max.): 37-66 dBA
- Air Flow (min. - max.): 135, 625, booster 779 m³/h
- Maximum extraction rate: 625 (m³/h)
- Energy class A+
- Extraction / Recirculation Rate 700 / 427 m³/h
- Speeds: 5 + Booster
- 2 LED, 5 W lamps
- 1 x 310 W motor
- Electronic Touch control
- 3 Washable stainless steel filters
- Grease Filtering Efficiency Class: B
- Lighting Efficiency Class: A
- Fluid Dynamic Efficiency Class: A
- Operating Mode: Air extraction, Recirculating air

AKR 758 IXL

12NC: 857875801000

GTIN (EAN) code: 8003437218248

Whirlpool

SENSING THE DIFFERENCE

MAIN FEATURES

Product group	Hood
Colour body	Inox
Material body	iXelium
Colour chimney	Inox
Material chimney	Stainless steel
Typology	Manual
Installation type	Free-standing
Type of control	Electronic
Type of control settings	-
Decor panel options	N/A
Motor location	Integrated motor in hood chimney
Operating Mode	Convertible
Electrical connection rating (W)	315
Current (A)	1,4
Voltage (V)	220-240
Frequency (Hz)	50
Length of Electrical Supply Cord (cm)	150
Plug type	Schuko
Chimney height (mm)	615-810
Height of product, without chimney (mm)	60
Height of the product	650
Width of the product	900
Depth of the product	455
Minimum niche height	0
Minimum niche width	0
Niche depth	0
Net weight (kg)	19.9

TECHNICAL FEATURES

Type of manual control devices	Touch control
Type of automatic control devices	-
Number of motors	1
Total power of the motors (W)	310
Number of speed settings: boost option availability	5
Boost presence	Yes
Maximum output air extraction (m ³ /h)	625
Boost position air extraction (m ³ /h)	779
Maximum output recirculating air (m ³ /h)	427
Boost position output recirculating (m ³ /h)	441
Light Control Type	Continuous
Number of lights	2
Type of lamps used	LED
Total power of the lamps (W)	5
Diameter of air outlet (mm)	150
No-return airflow flap	No
Grease filter material	Washable stainless steel
Odour filter	No

PERFORMANCES

Sound power at min. speed (2010/30/EU)	37
Sound power at max. speed (2010/30/EU)	66
Noise level with boost position (dB(A) re 1 pW)	0

