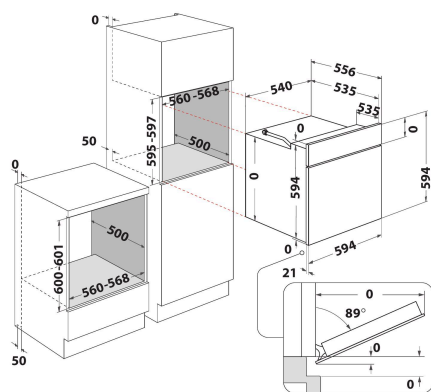


IGGF 63 IX

12NC: F153943

GTIN (EAN) code: 8050147539439

Indesit
Life proof.



MAIN FEATURES

Product group	Oven
Commercial code	IGGF 63 IX
Main colour of product	Inox
Construction type	Built-in
Type of control	Mechanical
Type of control settings	-
Are any hobs controls integrated?	No
Which kind of hobs can be controlled?	-
Automatic programmes	No
Current (A)	0,2
Voltage (V)	220-240
Frequency (Hz)	50/60
Length of Electrical Supply Cord (cm)	200
Plug type	No
Depth with open door 90 degree (mm)	-
Height of the product	594
Width of the product	594
Depth of the product	535
Minimum niche height	0
Minimum niche width	0
Niche depth	0
Net weight (kg)	29.5
Usable volume (of cavity)	0
Integrated Cleaning system	Easy to clean enamel
Grids of the cavity	1
Trays	1

TECHNICAL FEATURES

Timer	-
Time control	No control of the time
Time-setting options	No delay options
Safety device	-
Interior light	Yes
Number of interior lights of the cavity	1
Position of interior lights of the cavity	Rear
Oven guides of the cavity	Grids
Probe of the cavity	No

PERFORMANCES

Energy input	Gas
Type of energy of the cavity	Gas
Energy efficiency class - NEW (2010/30/EU)	A
Energy consumption per cycle conventional - NEW (2010/30/EU)	0
Energy consumption per cycle forced air convection - NEW (2010/30/EU)	0