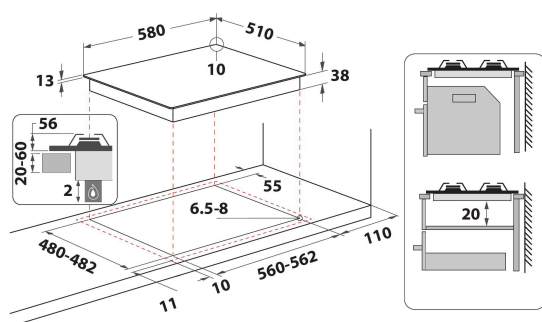


# THP 641 W/IX/I

12NC: F101200

GTIN (EAN) code: 8050147012000

 **INDESIT**



## MAIN FEATURES

|                                       |            |
|---------------------------------------|------------|
| Product group                         | Hob        |
| Construction type                     | Built-in   |
| Type of control                       | Mechanical |
| Type of control settings              | Knob       |
| Number of gas burners                 | 4          |
| Number of electric cooking zones      | 0          |
| Number of electric plates             | 0          |
| Number of radiant plates              | 0          |
| Number of halogen plates              | 0          |
| Number of induction plates            | 0          |
| Number of electric warming zones      | 0          |
| Location of control panel             | Front      |
| Basic surface material                | Inox       |
| Main colour of product                | Inox       |
| Electrical connection rating (W)      | 0          |
| Gas connection rating (W)             | 7800       |
| Gas type                              | Methane    |
| Current (A)                           | -          |
| Voltage (V)                           | 220-240    |
| Frequency (Hz)                        | 50/60      |
| Length of Electrical Supply Cord (cm) | 100        |
| Plug type                             | No         |
| Gas connection                        | N/A        |
| Width of the product                  | 580        |
| Height of the product                 | 56         |
| Depth of the product                  | 510        |
| Minimum niche height                  | 20         |
| Minimum niche width                   | 560        |
| Niche depth                           | 480        |
| Net weight (kg)                       | 8.5        |
| Automatic programmes                  | No         |

## TECHNICAL FEATURES

|                         |          |
|-------------------------|----------|
| Power on indicator      | No       |
| Number of indicators    | 0        |
| Type of regulation      | MINI WOK |
| Type of lid             | Without  |
| Residual heat indicator | Without  |
| Main on/off switch      | No       |
| Safety device           | No       |
| Timer                   | No       |

## PERFORMANCES

Energy input

Gas