

Operating Instructions

REFRIGERATOR/FREEZER COMBINATION

GB

English, 1

DE

Deutsch, 11

F

Français, 21

I

Italiano, 31

E

Espanol, 41

P

Portuges, 51

HR

Hrvatski, 61

CZ

Česky, 71

HU

Magyar, 81

PL

Polski, 91

RO

Română, 101

SR

Srpski, 111

SK

Slovenčina, 121

CA 55 xx

CAA 55 xx

NCAA 55 xx

Contents

Installation, 2-3

Positioning and connection
Door reversal

Description of the appliance, 4

Overall view

Start-up and use, 5-6

Starting the appliance
Using the refrigerator to its full potential
Using the freezer to its full potential

Maintenance and care, 7

Switching the appliance off
Cleaning the appliance
Avoiding mould and unpleasant odours
Defrosting the appliance
Replacing the light bulb

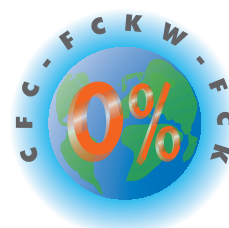
Precautions and tips, 8

General safety
Disposal
Respecting and conserving the environment

Troubleshooting, 9

Assistance, 10

 **INDESIT**



Installation

GB

! Before placing your new appliance into operation please read these operating instructions carefully. They contain important information for safe use, for installation and for care of the appliance.

! Please keep these operating instructions for future reference. Pass them on to possible new owners of the appliance.

Positioning and connection

Positioning

1. Place the appliance in a well-ventilated humidity-free room.
2. Do not obstruct the rear fan grills. The compressor and condenser give off heat and require good ventilation to operate correctly and save energy.
3. Leave a space of at least 10 cm between the top part of the appliance and any furniture above it, and at least 5 cm between the sides and any furniture/side walls.
4. Ensure the appliance is away from any sources of heat (direct sunlight, electric stove, etc.).
5. In order to maintain the correct distance between the appliance and the wall behind it, fit the spacers supplied in the installation kit, following the instructions provided.

Levelling

1. Install the appliance on a level and rigid floor.
2. If the floor is not perfectly horizontal, make the necessary adjustments by tightening or loosening the single foot at the front of the appliance.

Electrical connections

After the appliance has been transported, carefully place it vertically and wait at least 3 hours before connecting it to the electricity mains. Before inserting the plug into the electrical socket ensure the following:

- The appliance is earthed and the plug is compliant with the law.
- The socket can withstand the maximum power of the appliance, which is indicated on the data plate located on the bottom left side of the fridge (e.g. 150 W).
- The voltage must be in the range between the values indicated on the data plate located on the bottom left side (e.g. 220-240V).
- The socket is compatible with the plug of the appliance. If the socket is incompatible with the plug, ask an authorised technician to replace it (see Assistance). Do not use extension cords or multiple sockets.

! Once the appliance has been installed, the power supply cable and the electrical socket must be easily accessible.

! The cable must not be bent or compressed.

! The cable must be checked regularly and replaced by authorised technicians only (see Assistance).

! The manufacturer declines any liability should these safety measures not be observed.

DOOR REVERSAL

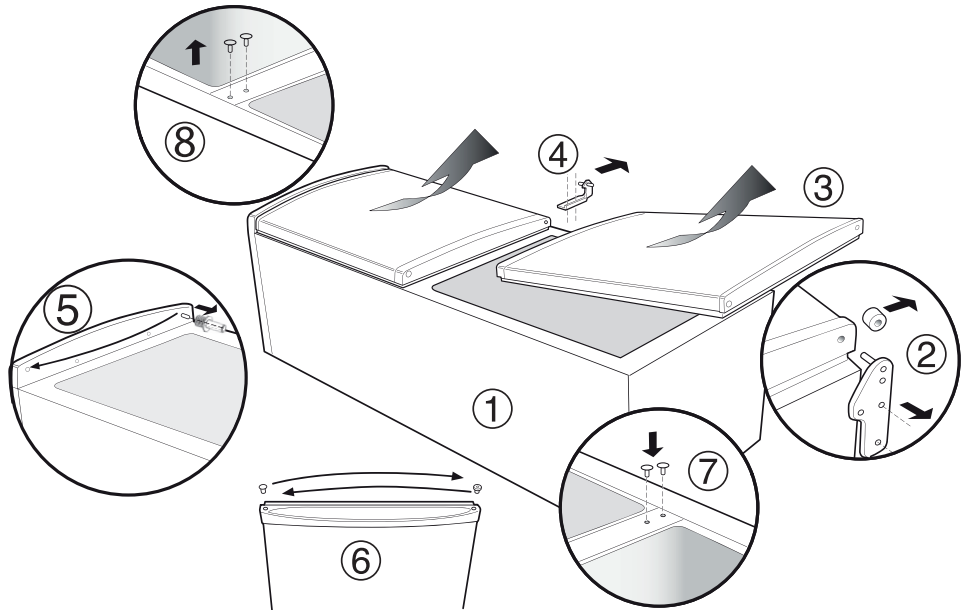
Warning: Before attempting to remove the doors, switch off the electrical supply and pull out the mains plug.

It is recommended that you remove any loose items/fittings from inside the appliance and place food into insulated containers whilst carrying out this operation.

You may require assistance to carefully lay the appliance onto its back onto suitable protective materials (i.e. original packaging).

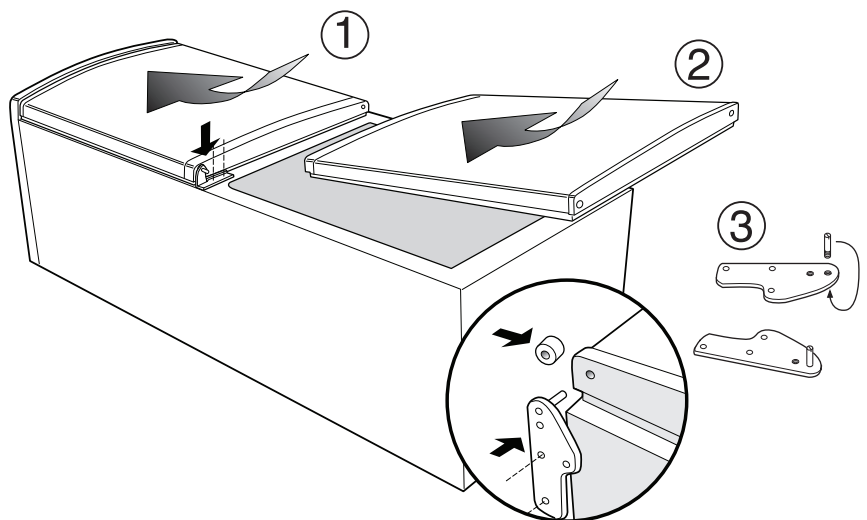
Remove the doors

1. Lay down the appliance on its back.
2. Unscrew, remove and retain the bottom hinge.
3. Slightly open the bottom door and slide downward remove and carefully place to one side.
4. Remove centre hinge and spacer if fitted. Slightly open the top door and slide downwards, remove and carefully place to one side.
5. The pin will be removed and fixed to the opposite side.
6. Use a thin blunt instrument to remove the top and bottom hinge bushes and blanking plugs from the doors, take care not to mark the door handle. Reposition the blanking plugs and bushes on the opposite side.
7. Fit the blanking plugs provided into the right hand two centre hinge holes.
8. Before changing hinge place from right side to left side, screw on left side panel should be disassembled and after changing hinge place, screw should be assembled on right side panel.



Replacing the doors

1. Slide the top door upwards and locate the top hinge pin into the door bush. Reposition the centre hinge on the opposite side.
2. Carefully slide bottom door upward into the centre hinge pin.
3. Unscrew the bottom hinge pin and refit it on the opposite side.
4. Fit the bottom hinge making sure that the door is aligned to the cabinet.
5. Carefully stand the appliance upright in it's required location and make sure it is sitting level on the floor. Open and close the doors checking that the gasket makes a good seal without any gaps when the doors are closed.



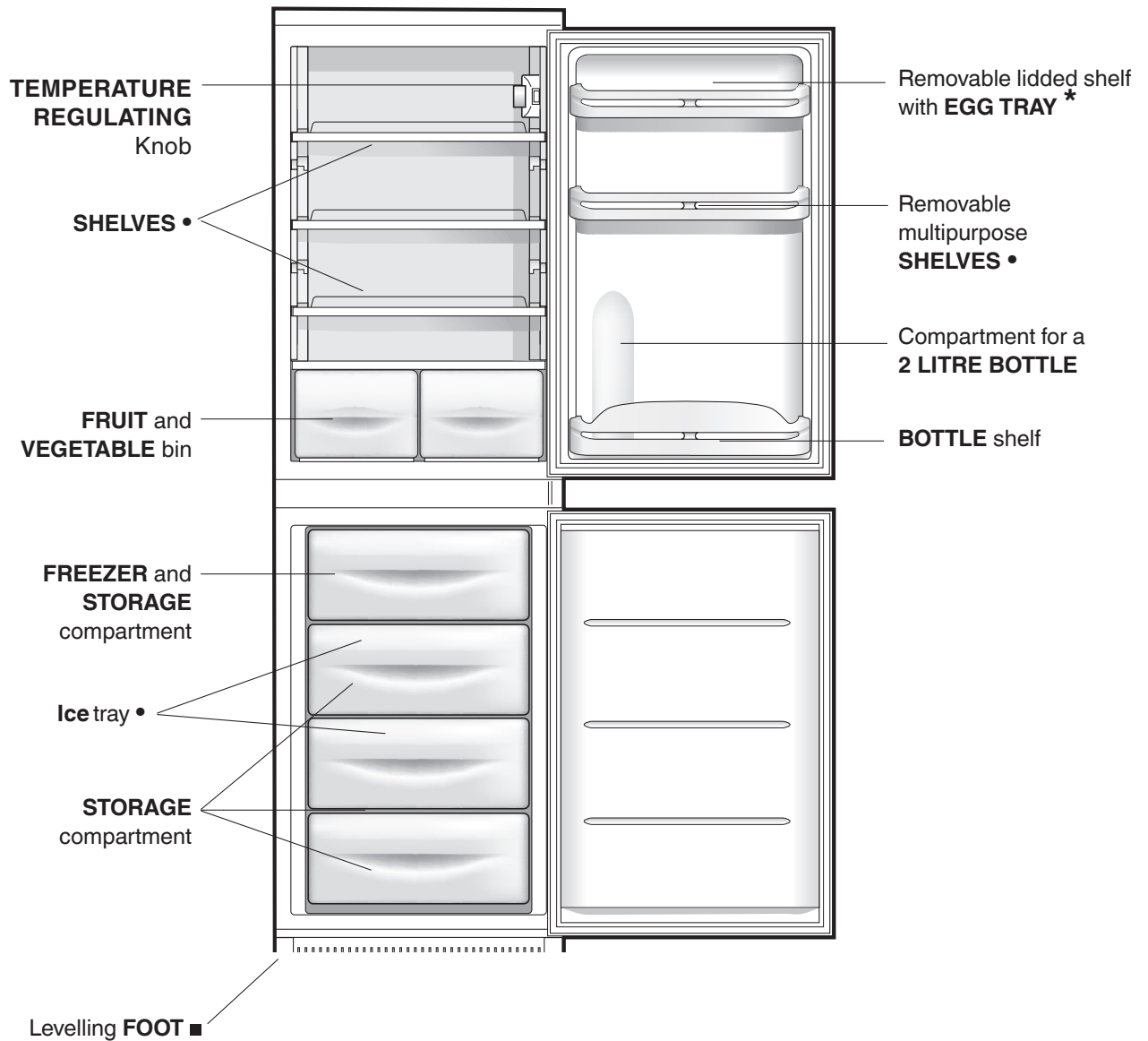
Note: Replace loose items/fittings back into the appliance and leave for at least 15 minutes before switching back on.

Description of the appliance

GB

Overall view

The instructions contained in this manual are applicable to different model refrigerators. The diagrams may not directly represent the appliance purchased. For more complex features, consult the following pages.



- There is only one adjustable foot.
- Varies by number and/or position.
- * Available only on certain models.

Starting the appliance

! Before starting the appliance, follow the installation instructions (see Installation).

! Before connecting the appliance, clean the compartments and accessories well with lukewarm water and bicarbonate.

1. Insert the plug into the socket and ensure that the internal light illuminates.
2. Turn the TEMPERATURE ADJUSTMENT knob to an average value. After a few hours you will be able to put food in the refrigerator.

Using the refrigerator to its full potential

The temperature inside the refrigerator compartment automatically adjusts itself according to the position of the thermostat knob.

1 = warmest 5 = coldest

We recommend, however, a medium position.

The cooling section of the refrigerator is located inside the back wall of the refrigerator compartment for increased space and improved aesthetics. During operation, the back wall will be covered in frost or water droplets depending on whether the compressor is operating or paused. Do not worry, the refrigerator is functioning normally.

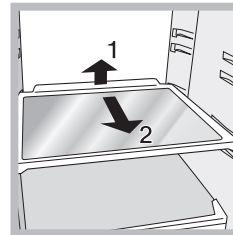
If the TEMPERATURE ADJUSTMENT knob has been set on high values with large quantities of food and with a high ambient temperature, the appliance can operate continuously, resulting in excessive frost formation and excessive energy consumption: compensate for this by shifting the knob towards lower values (defrosting will occur automatically).

In static appliances, the air circulates in a natural way: the colder air tends to move downwards as it is heavier.

The food should be stored as follows:

Food	Arrangement inside the refrigerator
Fresh fish and meat	Above the fruit and vegetable bins
Fresh cheese	Above the fruit and vegetable bins
Cooked food	On any shelf
Salami, loaves of bread, chocolate	On any shelf
Fruit and vegetables	In the fruit and vegetable compartment bins
Eggs	On the shelf provided
Butter and margarine	On the shelf provided
Bottle, drinks, milk	On the shelves provided

- Place only cold or lukewarm foods in the compartment, not hot foods (see Precautions and tips).
- Remember that cooked foods do not last longer than raw foods.
- Do not store liquids in open containers. They will increase humidity in the refrigerator and cause condensation to form.



SHELVES: with or without grill.

Due to the special guides the shelves are removable and the height is adjustable (see diagram), allowing easy storage of large containers and food. Height can be adjusted without complete removal of the shelf.

TEMPERATURE Indicator light: to identify the coldest area in the refrigerator.

1. Check that OK appears clearly on the indicator light (see diagram).



2. If the word "OK" does not appear it means that the temperature is too high: adjust the REFRIGERATOR OPERATION knob to a higher position (colder) and wait approximately 10 hours until the temperature has been stabilised.
3. Check the indicator light again: if necessary, readjust it following the initial process. If large quantities of food have been added or if the refrigerator door has been opened frequently, it is normal for the indicator not to show OK. Wait at least 10 hours before adjusting the REFRIGERATOR OPERATION knob to a higher setting.

Food hygiene

1. Once you have bought your food, remove all external packaging made of paper/cardboard or other wrappers, which could introduce bacteria or dirt inside your refrigerator.
2. Protect the food, (especially easily perishable items and those that have a strong smell), in order to avoid contact between them, thereby removing both the possibility of germ/bacteria contamination as well as the diffusion of strong odours inside the fridge.
3. Store all food in such a way as to ensure air can circulate freely between different items.
4. Keep the inside of your fridge clean, taking care not to use oxidiser or abrasive products.

5. Remove all food past its expiry date from the refrigerator.
6. For the correct preservation of food, all easily perishable items (soft cheeses, raw fish, meat, etc.) should be stored in the coldest zone of the fridge compartment, i.e. just above the salad crisper where the temperature indicator is situated.

Using the freezer to its full potential

- Do not re-freeze food that is defrosting or that has already been defrosted. These foods must be cooked and eaten (within 24 hours).
- Fresh food that needs to be frozen must not come into contact with food that has already been defrosted. Fresh food must be stored above the grill in the freezer compartment and if possible be in direct contact with the walls (side and rear), where the temperature drops below -18°C and guarantees rapid freezing.
- Do not place glass bottles which contain liquids, and which are corked or hermetically sealed in the freezer because they could break.
- The maximum quantity of food that may be frozen daily is indicated on the plate containing the technical properties located on the bottom left side of the refrigerator compartment (for example: Kg/24h: 4).
- In order to obtain a greater amount of space in the freezer compartment, you may remove the bins (except the lowest bin and the special COOL CARE ZONE bin, which has an adjustable temperature) and place the food directly onto the evaporator plates.

! Do not open the door during freezing.

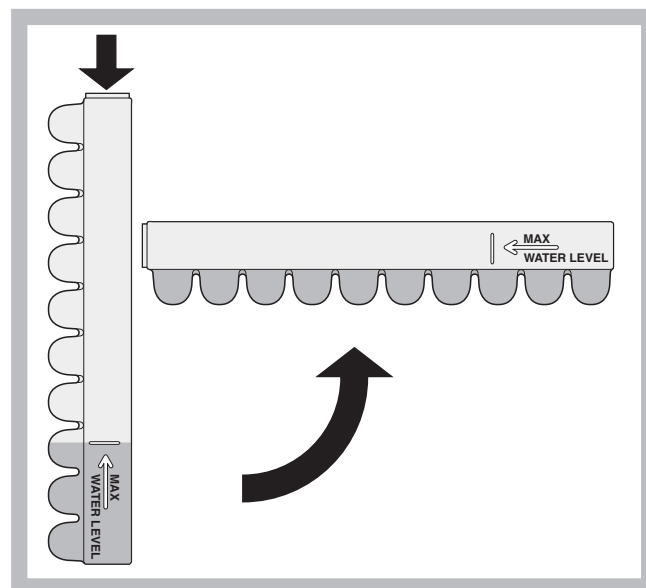
! If there is a power cut or malfunction, do not open the freezer door. This will help maintain the temperature inside the freezer, ensuring that foods are conserved for at least 9 - 14 hours.

! If the room temperature drops below 14°C for an extended period of time, the ideal temperature will not be reached in the freezer compartment and food preservation will be reduced.

Ice tray

The fact that they are situated on the top part of the freezer drawers ensures greater cleanliness: the ice no longer comes into contact with the food placed inside the freezer compartment; furthermore, the dripping of the water during filling is avoided (a lid to cover up the hole after filling with water is also provided).

1. Pull out the tray by pushing it up.
 - Check that the tray is completely empty and fill it with water through the opening provided.
2. Take care not to exceed the level indicated (MAX WATER LEVEL). Excess water prevents the ice cubes from dispensing (if this happens, wait for the ice to melt and empty the tray).
3. Turn the tray 90° : due to the connected compartments each mould fills with water (see diagram).
4. Close the opening with the lid provided and put the tray back.
5. When the ice has formed (minimum time approximately 8 hours) knock the tray against a hard surface and wet the outside so that the ice cubes come loose and take them out through the opening.



Switching the appliance off

During cleaning and maintenance it is necessary to disconnect the appliance from the electricity supply: It is not sufficient to set the temperature adjustment knobs on ● (appliance off) to eliminate all electrical contact.

Cleaning the appliance

- The external and internal parts, as well as the rubber seals may be cleaned using a sponge that has been soaked in lukewarm water and bicarbonate of soda or neutral soap. Do not use solvents, abrasive products, bleach or ammonia.
- The removable accessories may be soaked in warm water and soap or dishwashing liquid. Rinse and dry them carefully.
- The back of the appliance may collect dust which can be removed by delicately using the hose of a vacuum cleaner set on medium power. The appliance must be switched off and the plug must be pulled out before cleaning the appliance.

Avoiding mould and unpleasant odours

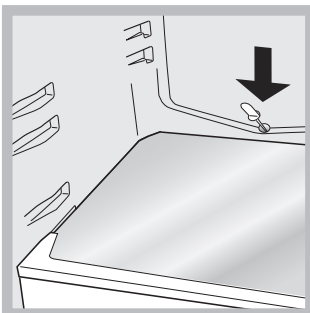
- The appliance is manufactured with hygienic materials which are odour free. In order to maintain an odour free refrigerator and to prevent the formation of stains, food must always be covered or sealed properly.
- If you want to switch the appliance off for an extended period of time, clean the inside and leave the doors open.

Defrosting the appliance

! Follow the instructions below.

Do not use objects with sharp or pointed edges to defrost the appliance as these may damage the refrigeration circuit beyond repair.

Defrosting the refrigerator compartment



The refrigerator has an automatic defrosting function: water is ducted to the back of the appliance by a special discharge outlet (see diagram) where the heat produced by the compressor causes it to evaporate. It is necessary to clean the discharge hole regularly so that the water can flow out easily.

Defrosting the freezer compartment

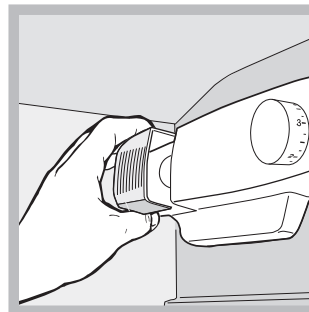
If the frost layer is greater than 5 mm, it is necessary to defrost manually:

1. Set the TEMPERATURE ADJUSTMENT knob to the position ●.
2. Wrap frozen foods in newspaper and place them in another freezer or in a cool place.
3. Leave the door open until the frost has melted completely. This can be made easier by placing containers with lukewarm water in the freezer compartment.
4. Clean and dry the freezer compartment carefully before switching the appliance on again.
5. Wait for approximately 2 hours, i.e. until the ideal storage conditions have been restored, before placing food in the freezer compartment.

Replacing the light bulb

To replace the light bulb in the refrigerator compartment, pull out the plug from the electrical socket. Follow the instructions below.

Access the light bulb by removing the cover as indicated in the diagram. Replace it with a similar light bulb within the power range indicated on the cover (15W or 25W).



Precautions and tips

GB

! The appliance was designed and manufactured in compliance with international safety standards. The following warnings are provided for safety reasons and must be read carefully.



This appliance complies with the following Community Directives:

- 73/23/EEC of 19/02/73 (Low Voltage) and subsequent amendments;
- 89/336/EEC of 03.05.89 (Electromagnetic Compatibility) and subsequent amendments;
- 2002/96/CE.



General safety

- The appliance was designed for domestic use inside the home and is not intended for commercial or industrial use.
- The appliance must be used to store and freeze food products by adults only and according to the instructions in this manual.
- The appliance must not be installed outdoors, even in covered areas. It is extremely dangerous to leave the appliance exposed to rain and storms.
- Do not touch the appliance with bare feet or with wet or moist hands and feet.
- Do not touch the internal cooling elements: this could cause skin abrasions or frost/freezer burns.
- When unplugging the appliance always pull the plug from the mains socket, do not pull on the cable.
- Before cleaning and maintenance, always switch off the appliance and disconnect it from the electrical supply. It is not sufficient to set the temperature adjustment knobs on ● (appliance off) to eliminate all electrical contact.
- In the case of a malfunction, under no circumstances should you attempt to repair the appliance yourself. Repairs carried out by inexperienced persons may cause injury or further malfunctioning of the appliance.
- Do not use any sharp or pointed utensils or electrical equipment - other than the type recommended by the manufacturer - inside the frozen food storage compartments.
- Do not put ice cubes taken directly from the freezer into your mouth.
- This appliance is not intended for use by persons (including children) with reduced physical, sensory or lack of experience and knowledge unless they have been given supervision or instruction concerning use of the appliance by a person responsible for their safety. Children should be supervised to ensure that they do not play with the appliance.
- Keep packaging material out of the reach of children! It can become a choking or suffocation hazard.

Disposal

- Observe local environmental standards when disposing packaging material for recycling purposes.
- The European Directive 2012/19/EU on Waste Electrical and Electronic Equipment (WEEE), requires that old household electrical appliances must not be disposed of in the normal unsorted municipal waste stream. Old appliances must be collected separately in order to optimise the recovery and recycling of the materials they contain and reduce the impact on human health and the environment. The crossed out "wheeled bin" symbol on the product reminds you of your obligation, that when you dispose of the appliance it must be separately collected. Consumers may take their old appliance to public waste collection areas, other communal collection areas, or if national legislation allows return it to a retailer when purchasing a similar new product. All major household appliance manufacturers are active in the creation of systems to manage the collection and disposal of old appliances.

Respecting and conserving the environment

- Install the appliance in a fresh and well-ventilated room. Ensure that it is protected from direct sunlight and do not place it near heat sources.
- Try to avoid keeping the door open for long periods or opening the door too frequently in order to conserve energy.
- Do not fill the appliance with too much food: cold air must circulate freely for food to be preserved properly. If circulation is impeded, the compressor will work continuously.
- Do not place hot food directly into the refrigerator. The internal temperature will increase and force the compressor to work harder and will consume more energy.
- Defrost the appliance if ice forms (see Maintenance). A thick layer of ice makes cold transference to food products more difficult and results in increased energy consumption.
- Regularly check the door seals and wipe clean to ensure they are free of debris and to prevent cold air from escaping (see Maintenance).

If the appliance does not work, before calling for Assistance (see Assistance), check for a solution from the following list.

Malfunctions:

The internal light does not illuminate.

The refrigerator and the freezer do not cool well.

The food inside the refrigerator is beginning to freeze.

The motor runs continuously.

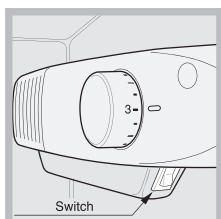
The appliance makes a lot of noise.

Some of the external parts of the refrigerator become hot.

The back wall of the refrigerator unit is covered in frost or droplets of water.

There is water at the bottom of the refrigerator.

Excess moisture / Ice at rear of the Fridge.

Warm Fridge**Possible causes / Solutions:**

- The plug has not been inserted into the electrical socket, or not far enough to make contact, or there is no power in the house.
- The doors do not close properly or the seals are damaged.
- The doors are opened too frequently.
- The TEMPERATURE ADJUSTMENT knob is not in the correct position.
- The refrigerator or the freezer have been over-filled.
- The atmospheric temperature of the area surrounding the appliance is lower than 14°C.
- The TEMPERATURE ADJUSTMENT knob is not in the correct position.
- The food is in contact with the back inside wall of the refrigerator.
- The door is not closed properly or is continuously opened.
- The outside ambient temperature is very high.
- The thickness of the frost exceeds 2-3 mm (see Maintenance).
- The appliance has not been installed on a level surface (see Installation).
- The appliance has been installed between cabinets that vibrate and make noise.
- The internal refrigerant makes a slight noise even when the compressor is off. This is not a defect, it is normal.
- These raised temperatures are necessary in order to avoid the formation of condensation on certain parts of the product.
- This shows the appliance is operating normally.
- The water discharge hole is blocked (see Maintenance).
- Excess moisture / Ice will occur if the Larder door is opened for prolonged periods. This will disappear once the door is closed and the Larder allowed to defrost and drain the moisture away. This is normal for cooling function of the Larder compartment, especially in summer period.
- If room temperature is 16 C or lower, (for example the product is located in a garage or out building), for the refrigerator to operate correctly the switch must be in the 'ON' position.

GB

Before calling for Assistance:

- Check if the malfunction can be solved on your own (see Troubleshooting).
- If after all the checks, the appliance still does not operate or the problem persists, call the nearest Service Centre

Communicating:

- type of malfunction
- appliance model (Mod.)
- serial number (S/N)

This information can be found on the data plate located on the bottom left side of the refrigerator compartment.

model				serial number			
Mod.	RG 2330	TI		Cod.	93139180000	S/N	704211801
V-	240 V-	Hz	150 W	W	Fuse	A	Max 15
Total	340	75				Freez. Capac	Class
Gross Bruto Brut		Gross Bruto Brut	Net Util Utile	Gross Bruto Brut		Poder de Cong kg/24 h	Clase N Classe
Compr. Syst.	R 134 a	Test	Pressure HIGH-235				
Kompr.	kg 0,090	P.S-L	LOW 140				
Made in Italy	13918						

Never call on unauthorized technicians and always refuse spare parts which are not originals.

Gebruiksaanleitung

KOMBINATION KÜHLSCHRANK/GEFRIERER

DE

GB

English, 1

DE

Deutsch, 11

F

Français, 21

I

Italiano, 31

E

Espanol, 41

P

Portuges, 51

HR

Hrvatski, 61

CZ

Česky, 71

HU

Magyar, 81

PL

Polski, 91

RO

Română, 101

SR

Srpski, 111

SK

Slovenčina, 121

CA 55 xx

CAA 55 xx

NCAA 55 xx

Inhalt

Installation, 12-13

Aufstellung und Anschluss
Türanschlagwechsel

Gerätebeschreibung, 14

Gesamtansicht

Inbetriebnahme und Gebrauch, 15-16

Einschalten des Geräts
Verwendung des Kühlschranks in seiner vollen Leistung
Verwendung des Gefrierers in seiner vollen Leistung

Wartung und Pflege, 17

Abschalten des Gerätes
Reinigung des Gerätes
Schimmel oder unangenehme Gerüche vermeiden
Das gerät abtauen
Austausch der Glühbirne

Hinweise und Tipps, 18

Allgemeine Sicherheit
Entsorgung
Die Umwelt achten und erhalten

Lösen von Problemen, 19

Kundendienst, 20

Installation

DE

! Vor Inbetriebnahme Ihres neuen Gerätes, diese Gebrauchsanweisungen sorgfältig durchlesen. Sie enthalten wichtige Informationen für den sicheren Gebrauch, die Installation und Pflege des Gerätes.

! Bewahren Sie diese Gebrauchsanleitung sorgfältig auf. Beim Verkauf, diese an die neuen Eigentümer des Gerätes übergeben.

Aufstellung und Anschluss

Aufstellung

1. Stellen Sie das Gerät in einem gut belüfteten Raum ohne Feuchtigkeit auf.
2. Die hinteren Lüftergitter nicht abdecken. Der Kompressor und Kondensator geben Hitze ab und benötigen eine gute Belüftung, um richtig arbeiten zu können und Energie zu sparen.
3. Einen Abstand von mindestens 10 cm zwischen dem Oberteil des Gerätes und anderen Möbeln darüber lassen, und mindestens 5 cm zwischen den Seiten und anderen Möbeln/Seitenwänden.
4. Sicherstellen, dass sich das Gerät entfernt von Hitzequellen befindet (direktes Sonnenlicht, Elektroherd, usw.).
5. Um den richtigen Abstand zwischen dem Gerät und der Wand dahinter beizubehalten, die Abstandhalter aus dem Installationskit einsetzen, dabei die gegebenen Anweisungen befolgen.

Nivellierung

1. Installieren Sie das Gerät auf einem festen und ebenen Boden.
2. Falls der Fußboden nicht perfekt waagrecht ist, nehmen Sie die erforderlichen Anpassungen vor, indem Sie den einzelnen Fuß an der Vorderseite des Geräts festziehen oder lösen.

Elektrischer Anschluss

Nach dem Transport des Gerätes, dieses vorsichtig senkrecht aufstellen und mindestens 3 Stunden warten, bevor es an das Stromnetz angeschlossen wird. Vor Einstecken des Steckers in die Steckdose, Folgendes sicherstellen:

- Das Gerät ist geerdet und der Stecker ist in Übereinstimmung mit den Vorschriften.
- Die Steckdose kann der maximalen Geräteleistung standhalten, die auf dem Typenschild am Geräteboden links angegeben sind (z.B. 150 W).
- Die Spannung muss innerhalb der Werte liegen, die auf dem Typenschild am Geräteboden links angegeben sind (z.B. 220-240V).
- Die Steckdose ist kompatibel mit dem Gerätestecker. Wenn die Steckdose nicht mit dem Stecker kompatibel ist, einen autorisierten Techniker mit dem Austausch beauftragen (siehe Kundendienst). Verwenden Sie keine Verlängerungskabel oder Mehrfachstecker.

! Wenn das Gerät installiert wurde, müssen das Versorgungskabel und die Steckdose einfach zugänglich sein.

! Das Kabel darf nicht geknickt oder zusammengedrückt sein.

! Das Kabel muss regelmäßig geprüft und ausschließlich durch autorisierte Techniker ausgetauscht werden (siehe Kundendienst).

! Der Hersteller lehnt jegliche Haftung ab, wenn diese Sicherheitsmaßnahmen nicht beachtet werden.

TÜRANSCHLAGWECHSEL

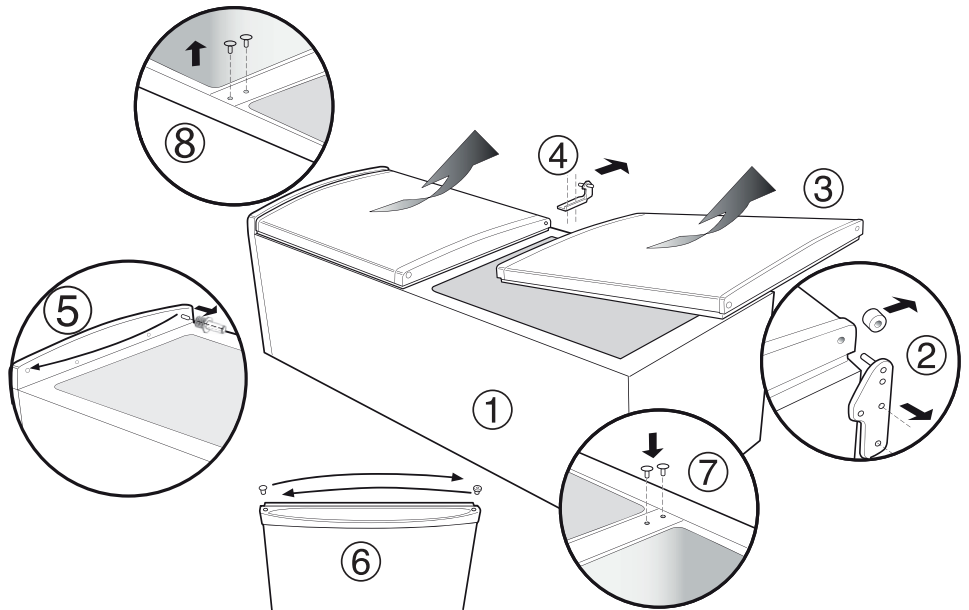
Warnung: Schalten Sie die Stromversorgung aus und ziehen Sie den Netzstecker ab, bevor Sie versuchen die Türen zu entfernen.

Es wird empfohlen, dass Sie sämtliche losen Gegenstände/Zubehörteile aus dem Gerät entnehmen und Lebensmittel in isolierte Behälter geben, während Sie diesen Vorgang ausführen.

Möglicherweise benötigen Sie Unterstützung, um das Gerät vorsichtig auf seine Rückseite auf geeignete Schutzmaterialien (z. B. Originalverpackung) zu legen.

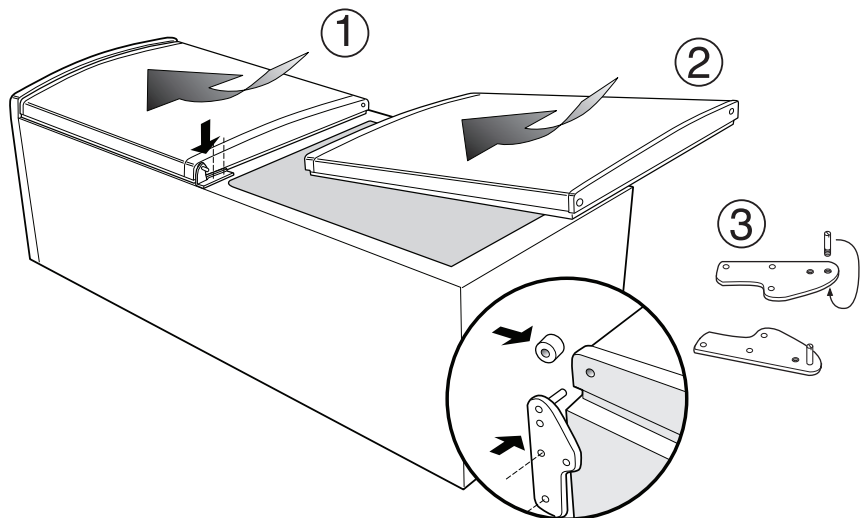
Entfernen der Türen

1. Legen Sie das Gerät auf seine Rückseite.
2. Schrauben Sie das untere Scharnier ab, entfernen Sie es und bewahren Sie es auf.
3. Öffnen Sie die untere Tür leicht und schieben Sie sie nach unten. Nehmen Sie sie ab und legen Sie sie vorsichtig auf eine Seite.
4. Entfernen Sie das mittlere Scharnier und die Unterlegscheibe, sofern vorhanden. Öffnen Sie die obere Tür leicht und schieben Sie sie nach unten. Nehmen Sie sie ab und legen Sie sie vorsichtig auf eine Seite.
5. Der Stift ist zu entfernen und an der gegenüberliegenden Seite zu befestigen.
6. Entfernen Sie mit einem dünnen stumpfen Werkzeug die oberen und unteren Scharnierbuchsen und Blindstopfen von den Türen. Achten Sie darauf, den Türgriff nicht zu beschädigen. Bringen Sie die Blindstopfen und Buchsen wieder auf der gegenüberliegenden Seite an.
7. Setzen Sie die mitgelieferten Blindstopfen in die beiden mittleren Scharnierlöcher rechts ein.
8. Vor dem Wechsel der Scharnierposition von der rechten auf die linke Seite sollte die Schraube an der linken Seitenwand zerlegt werden. Nach dem Wechsel der Scharnierposition sollte die Schraube an der rechten Seitenwand montiert werden.



Wiedereinsetzen der Türen

1. Schieben Sie die obere Tür nach oben und setzen Sie den oberen Scharnierstift in die Türbuchse ein. Bringen Sie das mittlere Scharnier wieder auf der gegenüberliegenden Seite an.
2. Schieben Sie die untere Tür vorsichtig nach oben in den mittleren Scharnierstift.
3. Schrauben Sie den unteren Scharnierstift ab und bringen Sie ihn wieder auf der gegenüberliegenden Seite an.
4. Bringen Sie das untere Scharnier an und achten Sie darauf, dass die Tür mit dem Schrank ausgerichtet ist.
5. Stellen Sie das Gerät vorsichtig am gewünschten Ort senkrecht auf und stellen Sie sicher, dass es waagrecht auf dem Fußboden steht. Öffnen und schließen Sie die Türen und prüfen Sie, dass die Dichtung lückenlos gut abdichtet, wenn die Türen geschlossen sind.



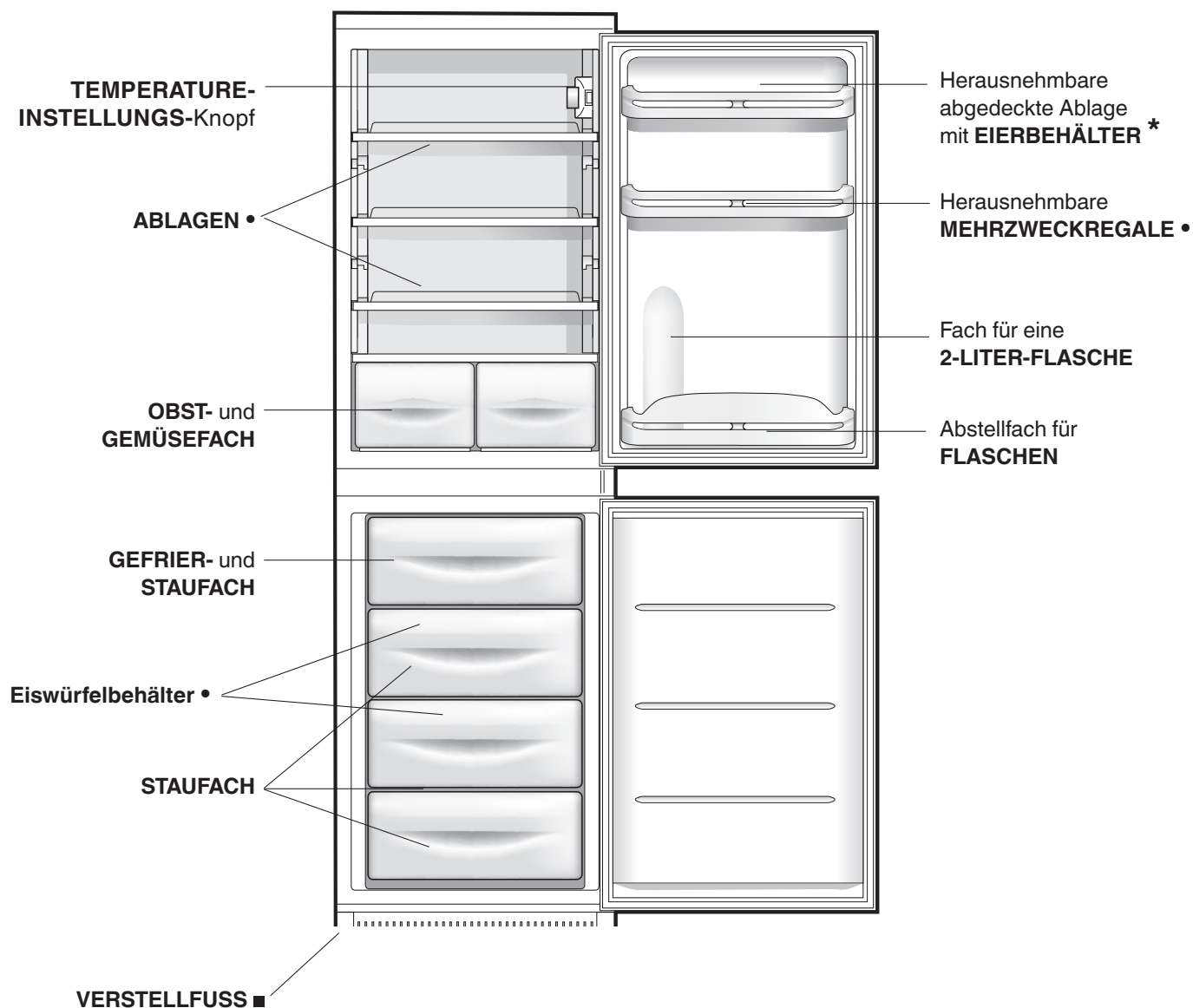
Hinweis: Setzen Sie die losen Gegenstände/Zubehörteile wieder im Gerät ein und lassen Sie es wenigstens 15 Minuten stehen, bevor Sie es wieder einschalten.

Gerätebeschreibung

DE

Gesamtansicht

Die Anweisungen in diesem Handbuch können für verschiedene Kühlschranksversionen angewendet werden. Die Diagramme stellen nicht direkt das gekaufte Gerät dar. Für weitere Funktionen, siehe die folgenden Seiten.



■ Es gibt nur einen verstellbaren Fuß.

• Variiert durch Anzahl und/oder Position.

* Nur verfügbar bei bestimmten Modellen.

Einschalten des Geräts

! Vor Einschalten des Gerätes, die Installationsanweisungen beachten (siehe Installation).
! Vor dem Anschluss des Gerätes, die Fächer und die Zubehörteile gründlich mit lauwarmem Wasser und Bikarbonat reinigen.

1. Den Stecker in die Steckdose einstecken und sicherstellen, dass das Innenlicht leuchtet.
2. Den Knopf zur TEMPERATUREINSTELLUNG auf einen Durchschnittswert drehen. Nach einigen Stunden können Lebensmittel in den Kühlschrank gegeben werden.

Verwendung des Kühlschranks in seiner vollen Leistung

Die Temperatur im Kühlschrankfach stellt sich automatisch selbst ein, je nach Position des Thermostatreglers.

1 = wärmste **5** = kälteste

Wir empfehlen trotzdem eine Mittelposition.

Der Kühlabschnitt des Kühlschranks befindet sich in der Rückwand des Kühlschrankfachs für mehr Raum und verbesserte Ästhetik. Während dem Betrieb weist die Rückwand Frost oder Wassertropfen auf, je nachdem ob der Kompressor in Betrieb ist oder in Pause. Keine Bedenken, der Kühlschrank funktioniert normal.

Wenn der Knopf zur TEMPERATUREINSTELLUNG auf die höchsten Werte gestellt wurde mit hohen Mengen an Lebensmitteln und bei hoher Umgebungstemperatur, kann das Gerät durchgehend arbeiten, was zu erhöhter Frostbildung und erhöhtem Energieverbrauch kommt: um dies auszugleichen, den Knopf auf die niedrigeren Werten stellen (das Abtauen erfolgt automatisch).

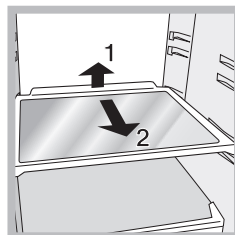
Bei statischen Geräten, zirkuliert die Luft auf natürliche Weise: kältere Luft neigt dazu, sich nach unten zu bewegen, da sie schwerer ist.

Die Lebensmittel sollten wie folgt gelagert werden:

Speise	Anordnung in dem Kühlschrank
Frischer Fisch und Fleisch	Über den Obst- und Gemüsefächern
Frischkäse	Über den Obst- und Gemüsefächern
Gekochte Speisen	Auf allen Ablagen
Salami, Brotlaibe, Schokolade	Auf allen Ablagen
Obst und Gemüse	In den Obst- und Gemüsefächern
Eier	Auf der Ablage
Butter und Margarine	Auf der Ablage
Flaschen, Getränke, Milch	Auf den Ablagen

Nur kalte oder lauwarme Lebensmittel in das Fach geben, keine heißen Lebensmittel (siehe Vorsichtsmaßnahmen und Tipps).

- Bitte beachten, dass gegarte Lebensmittel nicht länger haltbar sind als rohe Lebensmittel.
- Flüssigkeiten nicht in offenen Behältern aufbewahren. Sie erhöhen die Feuchtigkeit im Kühlschrank und führen zu Kondenswasserbildung.



ABLAGEN: mit oder ohne Gitter. Dank der speziellen Führungen können die Ablagen herausgenommen werden und die Höhe ist einstellbar (siehe Diagramm), dies ermöglicht eine einfache Lagerung von großen Behältern und Lebensmitteln.

Die Höhe kann ohne komplette Entnahme der Ablage angepasst werden.

TEMPERATUR-Anzeigelicht: Zum Feststellen des kältesten Bereichs im Kühlschrank.

1. Prüfen, dass OK klar auf dem Anzeigelicht erscheint (siehe Diagramm).



2. Wenn das Wort "OK" nicht erscheint, bedeutet dies, dass die Temperatur zu hoch ist: Der Knopf für den KÜHLSCHRANKBETRIEB auf eine höhere (kältere) Position stellen und ungefähr 10 Stunden warten, bis die Temperatur sich stabilisiert hat.
3. Das Anzeigelicht erneut prüfen: bei Bedarf erneut einstellen unter Durchführung des Startvorgangs. Wenn große Mengen an Lebensmitteln zugegeben wurden oder wenn die Kühlschranktür häufig geöffnet wird, ist es normal, dass die Anzeige kein OK anzeigt. Mindestens 10 Stunden warten, bevor der Knopf für den KÜHLSCHRANKBETRIEB auf einen höheren Wert eingestellt wird.

Lebensmittelhygiene

1. Nach dem Kauf der Lebensmittel die Außenverpackung aus Papier/Karton oder andere Verpackung entfernen, die zu Bakterien oder Schmutz im Kühlschrank führen kann.
2. Die Lebensmittel (insbesondere leicht verderbliche Produkte und solche, die einen starken Geruch haben) schützen, um den Kontakt zwischen ihnen zu vermeiden, wodurch sowohl die Möglichkeit der Keim- / Bakterien-Kontamination als auch die Verbreitung von starken Gerüchen im Kühlschrank beseitigt wird.

3. Alle Lebensmittel so aufbewahren, dass die Luft frei zwischen den verschiedenen Produkten zirkulieren kann.
4. Den Innenbereich Ihres Kühlschranks sauber halten, darauf achten keine Oxidierungsmittel oder scheuernden Produkte zu verwenden.
5. Entfernen Sie alle abgelaufenen Lebensmittel aus dem Kühlschrank.
6. Für die richtige Aufbewahrung der Lebensmittel, alle leicht verderblichen Produkte (Weichkäse, roher Fisch, Fleisch usw.) sollten in dem kältesten Bereich des Kühlschranks aufbewahrt werden, d.h. über dem Gemüsefach, wo sich die Temperaturanzeige befindet.

Verwendung des Gefrierers in seiner vollen Leistung

- Frieren Sie auftauende oder bereits aufgetaute Lebensmittel nicht wieder ein. Diese Lebensmittel müssen gekocht und gegessen werden (innerhalb von 24 Stunden).
- Frische Speisen, die eingefroren werden müssen, dürfen nicht in Kontakt mit Speisen kommen, die bereits abgetaut wurden. Frische Speisen müssen über dem Gitter in dem Gefrierfach gelagert werden und wenn möglich in direktem Kontakt mit den Wänden (Seitenwänden und Rückwand), wo die Temperatur auf -18°C fällt und schnelles Gefrieren garantiert.
- Legen Sie keine Glasflaschen, die Flüssigkeiten enthalten und die einen Korken haben oder hermetisch versiegelt sind in den Gefrierer, da sie brechen könnten.
- Die maximale Menge an Lebensmitteln, die täglich eingefroren werden können, ist auf dem Schild mit den technischen Eigenschaften links auf dem Boden des Kühlschranks angegeben (zum Beispiel: Kg/24h: 4).
- Um mehr Platz im Gefrierfach zu erhalten, können Sie die Fächer entfernen (mit Ausnahme des untersten Fachs und des speziellen COOL CARE ZONE-Fachs, das eine einstellbare Temperatur aufweist) und die Lebensmittel direkt auf die Verdampferplatten geben.

! Während dem Gefrieren die Tür nicht öffnen.

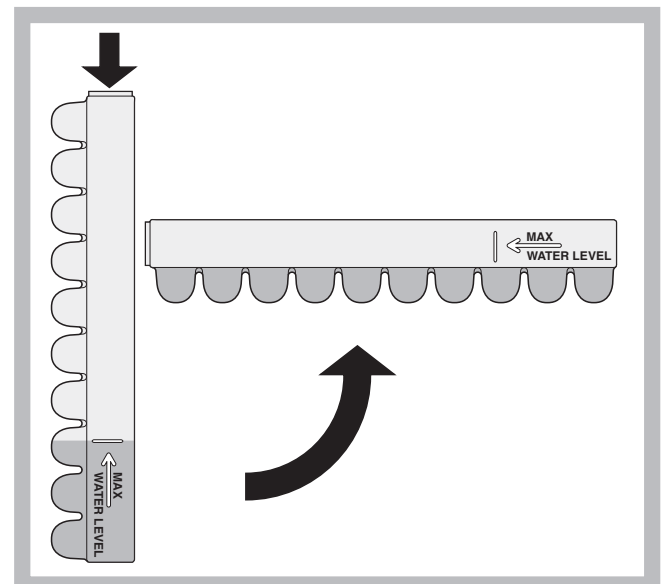
! Bei einem Stromausfall oder einer Störung, die Gefrierertür nicht öffnen. Somit kann die Temperatur im Gefrierer aufrechterhalten werden, um sicherzustellen, dass die Lebensmittel für mindestens 9 - 14 Stunden konserviert sind.

! Wenn die Raumtemperatur für eine lange Zeitspanne unter 14°C , wird die ideale Temperatur in dem Gefrierfach nicht erreicht und die Lebensmittelkonservierung wird verringert.

Eiswürfelbehälter

Die Tatsache, dass er auf dem oberen Teil der Schubladen des Gefrierfachs situiert sind, gewährleistet größere Sauberkeit: Das Eis kommt nicht mehr mit den Lebensmitteln in Berührung, die in das Gefrierfach gelegt werden. Darüber hinaus wird das Tropfen des Wassers beim Befüllen vermieden (in Deckel zum Abdecken der Öffnung nach dem Befüllen mit Wasser ist ebenfalls vorhanden).

1. Ziehen Sie den Behälter heraus, indem Sie ihn nach oben drücken.
Prüfen Sie, dass der Behälter vollkommen leer ist und füllen Sie ihn über die vorgesehene Öffnung mit Wasser.
2. Achten Sie darauf, das angegebene Niveau (MAX WATER LEVEL) nicht zu überschreiten. Zu viel Wasser verhindert, dass die Eiswürfel abgeben werden (warten Sie in diesem Fall, bis das Eis geschmolzen ist, und leeren Sie den Behälter).
3. Drehen Sie den Behälter um 90° : Durch die verbundenen Fächer füllt sich jede Mulde mit Wasser (siehe Darstellung).
4. Schließen Sie die Öffnung mit dem mitgelieferten Deckel und geben Sie den Behälter wieder hinein.
5. Wenn sich das Eis gebildet hat (Mindestzeit ca. 8 Stunden), klopfen Sie mit dem Behälter gegen eine harte Oberfläche und befeuchten Sie die Außenseite, sodass sich die Eiswürfel lösen und nehmen Sie sie durch die Öffnung heraus.



Abschalten des Gerätes

Während der Reinigung und Wartung muss das Gerät von der Stromversorgung getrennt werden:
Es ist nicht ausreichend, den Knopf der Temperatureinstellung auf ● (Gerät aus) zu stellen, um den gesamten Stromkontakt zu entfernen.

Reinigung des Gerätes

- Die Außen- und Innenteile sowie die Gummidichtungen können mit einem Schwamm gereinigt werden, der in lauwarmes Wasser und Bikarbonat oder neutrale Seife getaucht wurde. Keine Lösungsmittel, Scheuermittel, Bleichmittel oder Ammoniak verwenden.
- Die herausnehmbaren Zubehörteile können in warmem Wasser und Seife oder Spülmittel eingeweicht werden. Diese sorgfältig mit Wasser abspülen und trocknen.
- Auf der Rückseite des Gerätes kann sich Staub angesammelt haben, der durch vorsichtige Verwendung des Staubsaugerschlauchs bei mittlerer Geschwindigkeit entfernt werden kann. Das Gerät muss ausgeschaltet und der Stecker ausgesteckt werden, bevor die Reinigung des Gerätes beginnt.

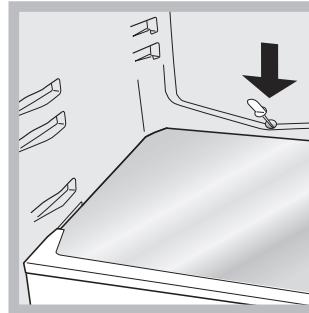
Schimmel oder unangenehme Gerüche vermeiden

- Das Gerät ist mit geruchlosen hygienischen Materialien hergestellt. Um einen geruchlosen Kühlschrank zu erhalten und um die Bildung von Verschmutzungen zu vermeiden, sollten die Lebensmittel stets abgedeckt oder entsprechend versiegelt sein.
- Wenn Sie das Gerät für einen längeren Zeitraum ausschalten möchten, die Innenseite reinigen und die Türen offen lassen.

Das gerät abtauen

!Die unten stehenden Anweisungen befolgen.
Verwenden Sie keine Gegenstände mit scharfen oder spitzen Kanten, um die Geräte abzutauen, da diese den Kältekreislauf über die Reparatur hinaus beschädigen können.

Abtauen des Kühlfachs



Der Kühlschrank hat eine automatische Abtaufunktion: Wasser wird auf die Rückseite des Gerätes geleitet durch eine spezielle Abflussöffnung (siehe Diagramm), wo die Hitze, die durch den Kompressor produziert wird, zur Verdampfung des Wassers führt. Das Abflussrohr muss regelmäßig gereinigt werden, so dass das Wasser einfach ausfließen kann.

Abtauen des Gefrierfachs

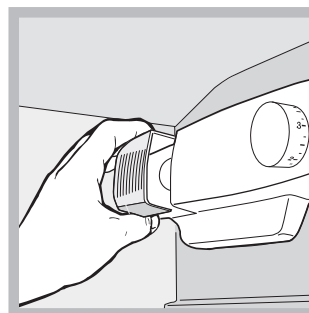
Wenn die Frostschrift höher als 5 mm ist, muss manuell abgetaut werden:

1. Den Knopf zur TEMPERATUREINSTELLUNG auf ● stellen.
2. Gefrorene Lebensmittel in Zeitungspapier einwickeln und in einen anderen Gefrierer oder an einen kühleren Platz legen.
3. Die Tür offen lassen, bis der Frost komplett geschmolzen ist. Dies kann vereinfacht werden, indem Behälter mit lauwarmen Wasser in das Gefrierfach gestellt werden.
4. Das Gefrierfach vorsichtig reinigen und trocknen, bevor das Gerät wieder eingeschaltet wird.
5. Ungefähr 2 Stunden warten, d.h. bis die ideale Lagertemperatur wieder hergestellt wurde, bevor die Lebensmittel in den Gefrierer gelegt werden.

Austausch der Glühbirne

Für den Austausch der Glühbirne im Kühlschrankfach, den Stecker aus der Steckdose ziehen. Die unten stehenden Anweisungen befolgen.

Für den Zugriff auf die Glühbirne, die Abdeckung entfernen, wie in der Abbildung dargestellt. Diese durch eine ähnliche Glühbirne, mit dem auf der Abdeckung angegebenen Leistungsbereich, ersetzen (15W oder 25W).



Hinweise und Tipps

DE

! Das Gerät wurde entwickelt und hergestellt in Übereinstimmung mit internationalen Sicherheitsstandards. Die folgenden Warnungen werden aus Sicherheitsgründen gegeben und müssen sorgfältig gelesen werden.



Dieses Gerät ist konform mit den folgenden Gemeinschaftsrichtlinien:
- 73/23/EWG vom 19.02.73 (Niederspannung) und nachfolgende Änderungen;
- 89/336/EWG vom 03.05.89 (Elektromagnetische Verträglichkeit) und nachfolgende Änderungen;
- 2002/96/EG.



Allgemeine Sicherheit

- Das Gerät wurde entwickelt für den Hausgebrauch und ist nicht für kommerzielle oder industrielle Zwecke gedacht.
- Das Gerät muss verwendet werden, um Lebensmittel durch Erwachsene zu stauen und einzufrieren und gemäß den Anweisungen in diesem Handbuch.
- Das Gerät darf nicht im Freien installiert werden, auch nicht in überdachten Bereichen. Es ist äußerst gefährlich das Gerät Regen und Sturm auszusetzen.
- Berühren Sie das Gerät nicht barfuß oder mit nassen oder feuchten Händen und Füßen.
- Die internen Kühlelemente nicht anfassen: dies könnte zu Hautabschürfungen oder Frost/Gefrierbrand führen.
- Beim Ausstecken des Gerätes stets den Stecker aus der Steckdose ziehen, nicht an dem Kabel ziehen.
- Vor jeder Reinigungs- und Wartungsarbeit stets das Gerät ausschalten und den Netzstecker ziehen. Es ist nicht ausreichend, den Knopf der Temperatureinstellung auf ● (Gerät aus) zu stellen, um den gesamten Stromkontakt zu entfernen.
- Bei Störung unter keinen Umständen versuchen, das Gerät selbst zu reparieren. Reparaturen, die durch unerfahrene Personen ausgeführt werden, können zu Unfällen oder noch weiteren Störungen des Gerätes führen.
- Verwenden Sie keine scharfen oder spitzen Werkzeuge oder elektrische Ausrüstung - anders als die von dem Hersteller empfohlenen Typen - in dem Gefrierfach zur Lagerung von Lebensmitteln.
- Nehmen Sie keine Eiswürfel in den Mund, die direkt aus dem Gefrierer genommen wurden.
- Das Gerät darf von Personen (einschließlich Kindern) mit herabgesetzten physischen, sensorischen oder geistigen Fähigkeiten und Mangel an Erfahrung und Kenntnissen nur unter Aufsicht oder nach ausreichender Einweisung durch eine für ihre Sicherheit verantwortliche Person benutzt werden. Kleine Kinder davon abhalten, mit dem Gerät zu spielen.
- Bewahren Sie das gesamte Verpackungsmaterial außerhalb der Reichweite von Kindern auf! Dies kann zu Erstickungsgefahr führen.

Entsorgung

- Beachten Sie die örtlichen Umweltstandards, wenn Sie Verpackungsmaterialien für den Recyclingprozess entsorgen.
- Die Europäische Richtlinie 2012/19/EU über Elektro- und Elektronik-Altgeräte (WEEE), fordert, dass alte elektrische Haushaltsgeräte nicht in der kommunalen Abfallentsorgung entsorgt wird. Altgeräte müssen separat gesammelt werden, um die Rückgewinnung und das Recycling der darin enthaltenen Materialien zu verbessern und um die Auswirkung auf die Gesundheit von Personen und die Umgebung zu reduzieren. Das Symbol der durchgestrichenen "Mülltonne" auf dem Produkt weist darauf hin, dass es bei der Entsorgung des Gerätes separat gesammelt werden muss. Verbraucher können ihr Altgerät in öffentliche Abfallsammelbereiche oder sonstige kommunale Sammelbereiche bringen, oder wenn die nationale Gesetzgebung dies gestattet, es beim Kauf eines ähnlichen neuen Produkts an den Händler zurückgeben. Alle großen Hersteller von Haushaltsgeräten sind an der Entwicklung von Systemen zur Organisation der Sammlung und Entsorgung von Altgeräten beteiligt.

Die Umwelt achten und erhalten

- Das Gerät an einem kühlen und gut belüfteten Ort aufstellen. Sicherstellen, dass es vor direktem Sonnenlicht geschützt ist und nicht in die Nähe von Hitzequellen stellen.
- Die Türen nicht zu lange offen lassen oder zu häufig öffnen, um Energie zu sparen.
- Das Gerät nicht mit zu vielen Lebensmitteln füllen: kalte Luft muss frei zirkulieren, um die Lebensmittel entsprechend zu konservieren. Wenn die Zirkulation verhindert wird, arbeitet der Kompressor dauerhaft.
- Keine warmen Speisen direkt in den Kühlschrank geben. Die Innentemperatur erhöht sich und zwingt den Kompressor stärker zu arbeiten und verbraucht mehr Energie.
- Das Gerät abtauen, wenn sich Eis bildet (siehe Wartung). Eine dicke Eisschicht erschwert die Kälteübertragung an Lebensmittel und führt zu höherem Energieverbrauch.
- Die Türdichtungen regelmäßig kontrollieren und sauber wischen, um sicherzustellen, dass sie keine Fremdkörper aufweisen und um zu verhindern, dass kalte Luft austritt (siehe Wartung).

Wenn das Gerät nicht arbeiten, suchen Sie in der folgenden Liste für eine Lösung, bevor Sie den Kundendienst (siehe Kundendienst) anrufen.

Funktionsstörungen:

Die Innenleuchte leuchtet nicht.

Der Kühlschrank und der Gefrierer kühlen nicht richtig.

Die Speisen im Kühlschrank beginnen zu gefrieren.

Der Motor läuft ständig.

Das Gerät macht Geräusche.

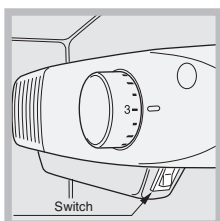
Einige der Außenteile des Kühlschranks werden heiß.

Die Rückwand des Kühlschranks ist bedeckt mit Eis oder Wassertropfen.

Wasser steht auf dem Boden des Kühlschranks.

Zu viel Feuchtigkeit / Eis an der Kühlschrankrückwand.

Warmer Kühlschrank



Mögliche Ursache / Abhilfe:

- Der Stecker wurde nicht in die Steckdose eingesteckt oder nicht weit genug, um einen Kontakt herzustellen, oder es liegt ein Stromausfall vor.

- Die Türen schließen nicht richtig oder die Dichtungen sind beschädigt.
- Die Türen werden zu häufig geöffnet.
- Der Knopf der TEMPERATUREINSTELLUNG ist nicht in der richtigen Stellung.
- Der Kühlschrank oder der Gefrierer wurden überfüllt.
- Die Umgebungstemperatur des Bereichs um das Gerät liegt unter 14 °C.

- Der Knopf der TEMPERATUREINSTELLUNG ist nicht in der richtigen Stellung.
- Die Lebensmittel sind in Kontakt mit der hinteren Innenwand des Kühlschranks.

- Die Tür ist nicht korrekt geschlossen oder ist dauerhaft offen.
- Die Umgebungstemperatur ist sehr hoch.
- Die Dicke des Frostes ist mehr als 2-3 mm (siehe Wartung).

- Das Gerät wurde nicht auf einer ebenen Fläche installiert (siehe Installation).
- Das Gerät wurde zwischen Schränken installiert, die vibrieren und Geräusche erzeugen.
- Der gesamte Kühlschrank macht ein leises Geräusch, selbst wenn der Kompressor ausgeschaltet ist. Dies ist keine Störung, es ist normal.

- Diese erhöhten Temperaturen sind notwendig, um die Bildung von Kondensation an bestimmten Teilen des Produktes zu vermeiden.

- Dies zeigt, dass das Gerät normal arbeitet.

- Das Wasser-Ablassloch ist blockiert (siehe Wartung).

- Zu viel Feuchtigkeit / Eis tritt auf, wenn die Kühlschranktür über längere Zeiträume geöffnet wird. Dies verschwindet, wenn die Tür geschlossen wird und der Kühlschrank abtauen und die Feuchtigkeit abführen kann. Dies ist ein normaler Vorgang bei der Kühlfunktion des Kühlraums, insbesondere im Sommer.

- Wenn die Raumtemperatur 16 °C oder weniger beträgt (beispielsweise, wenn das Produkt in einer Garage oder einem Außengebäude aufgestellt ist), muss sich der „Schnell Einfrieren-Schalter“ in der 'EIN'-Position befinden, damit der Kühlschrank richtig arbeitet.

DE

Bevor Sie sich an den Kundendienst wenden:

- Prüfen Sie, ob die Störung selbst behoben werden kann (siehe Anleitung zur Fehlersuche).
- Sollte trotz aller Kontrollen das Gerät nicht funktionieren und der von Ihnen festgestellte Fehler weiter bestehen bleiben, dann fordern Sie bitte den nächstgelegenen technischen Kundendienst an und teilen Sie dort zusammen mit Ihrer Fehlerbeschreibung folgende Daten mit

Geben Sie bitte Folgendes an:

- die Art der Störung
- das Gerätemodell (Mod.)
- Seriennummer (S/N)

Diese Informationen finden Sie auf dem Typenschild auf der unteren linken Seite des Kühlschranks.

Modell				Seriennummer			
Mod.	RG 2330	TI	Cod.	93139180000	S/N	704211801	
240 V-	Hz	150 W	W	Fuse	A	Max	15
Total	340	75		Freez.	Capac	Class	
Gross Bruto Brut	Gross Bruto Brut	Net Util Utile	Gross Bruto Brut	Poder de Cong	kg/24 h	4,0	Clase N Classe
Compr. Syst.	R 134 a	Test Pressure	HIGH-235	[Barcode]			
Kompr.	kg 0,090	P.S.L	LOW 140				
Made in Italy 13918							

Beauftragen Sie auf keinen Fall einen nicht befugten Kundendienst und lassen Sie ausschließlich Original-Ersatzteile.

Mode d'emploi

COMBINE REFRIGERATEUR/CONGELATEUR



English, 1



Deutsch, 11



Français, 21



Italiano, 31



Espanol, 41



Portuges, 51



Hrvatski, 61



Česky, 71



Magyar, 81



Polski, 91



Română, 101



Srpski, 111



Slovenčina, 121

CA 55 xx
CAA 55 xx
NCAA 55 xx

Sommaire

Installation, 22-23

Mise en place et raccordement
Réversibilité des portes

Description de l'appareil, 24

Vue d'ensemble

Mise en marche et utilisation, 25-26

Mise en service de l'appareil
Pour profiter à plein de votre réfrigérateur
Pour profiter à plein de votre congélateur

Entretien et soins, 27

Mise hors tension
Nettoyage de l'appareil
Contre la formation de moisissures et de mauvaises odeurs
Dégivrage de l'appareil
Remplacement de l'ampoule d'éclairage

Précautions et conseils, 28

Sécurité générale
Mise au rebut
Economies et respect de l'environnement

Anomalies et remèdes, 29

Assistance, 30

F

Installation

F

! Conservez ce mode d'emploi pour pouvoir le consulter à tout moment. En cas de vente, de cession ou de déménagement, veillez à ce qu'il suive l'appareil pour informer le nouveau propriétaire sur son fonctionnement et lui fournir les conseils correspondants.

! Lisez attentivement les instructions: elles contiennent des conseils importants sur l'installation, l'utilisation et la sécurité de votre appareil.

Mise en place et raccordement

Mise en place

1. Placez l'appareil dans une pièce bien aérée et non humide.
2. Ne bouchez pas les grilles d'aération arrière : le compresseur et le condensateur produisent de la chaleur et exigent une bonne aération pour bien fonctionner et réduire la consommation d'électricité.
3. Prévoir au moins 10 cm entre le haut de l'appareil et les meubles installés au-dessus et au moins 5 cm entre les côtés et les meubles/parois latérales.
4. Installez l'appareil loin de sources de chaleur (rayons directs du soleil, cuisinière électrique).
5. Pour maintenir une distance optimale entre le produit et la paroi arrière, montez les cales d'espacement comprises dans le kit d'installation et suivez les instructions de la notice spécialement prévue.

Mise à niveau

1. Installez l'appareil sur un sol plat et rigide.
2. Si le sol n'est pas parfaitement horizontal, vissez ou dévissez le pied de réglage avant pour compenser toute dénivellation.

Raccordement électrique

Après le transport, placez l'appareil à la verticale et attendez au moins 3 heures avant de le raccorder à l'installation électrique. Avant de brancher la fiche dans la prise de courant, assurez-vous que:

- la prise est bien munie d'une terre conforme à la loi;
- la prise est bien apte à supporter la puissance maximale de l'appareil, indiquée sur la plaquette signalétique placée à l'intérieur du compartiment réfrigérateur en bas à gauche (ex. 150 W);
- la tension d'alimentation est bien comprise entre les valeurs indiquées sur la plaquette signalétique, placée en bas à gauche (ex.220-240 V);
- la prise est bien compatible avec la fiche de l'appareil. En cas d'incompatibilité, faites remplacer la fiche par un technicien agréé (voir Assistance); n'utilisez ni rallonges ni prises multiples.

! Après installation de l'appareil, le câble électrique et la prise de courant doivent être facilement accessibles.

! Le câble ne doit être ni plié ni excessivement écrasé.

! Il doit être contrôlé périodiquement et ne peut être remplacé que par un technicien agréé (voir Assistance).

! Nous déclinons toute responsabilité en cas de non respect des normes énumérées ci-dessus.

REVERSIBILITE DE LA PORTE

F

Attention : avant d'essayer de déposer les portes, il faut éteindre l'alimentateur et débrancher la fiche de réseau.

Lors de l'exécution de cette opération, nous conseillons de sortir de l'appareil tout élément ou accessoire mobile et de placer les aliments dans des récipients isolants.

L'aide de quelqu'un peut s'avérer nécessaire pour coucher avec précaution l'appareil sur le dos et le poser sur des matériaux de protection appropriés (l'emballage original par exemple).

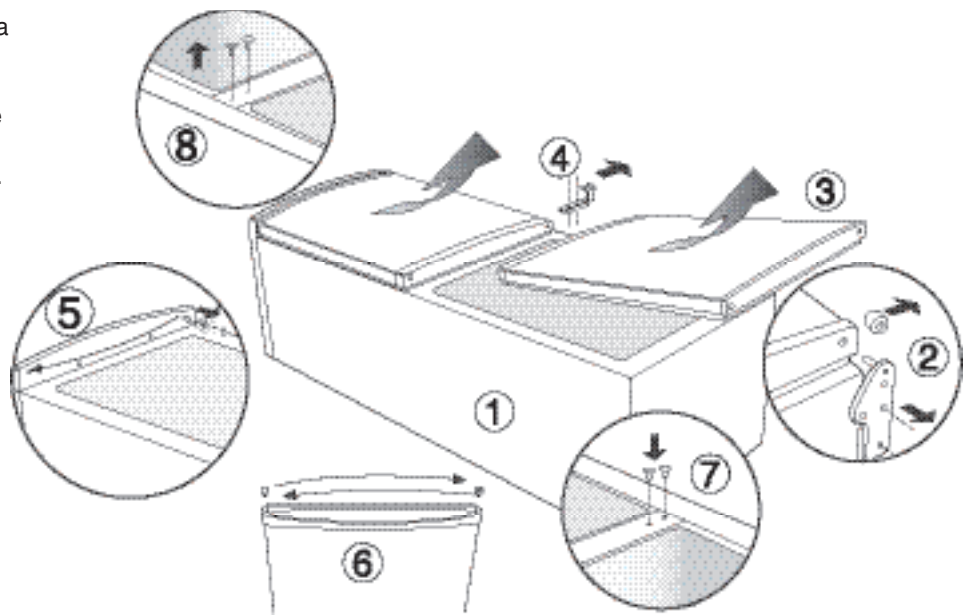
Dépose des portes

1. Coucher l'appareil sur le dos.
2. Dévisser la charnière inférieure, la retirer et la garder de côté.
3. Ouvrir légèrement la porte inférieure et la faire glisser vers le bas pour la démonter puis la poser avec précaution sur un côté.
4. Retirer la charnière du milieu et l'entretoise s'il y en a une de prévue.

Ouvrir légèrement la porte supérieure et la faire glisser vers le bas pour la démonter puis la poser avec précaution sur un côté.

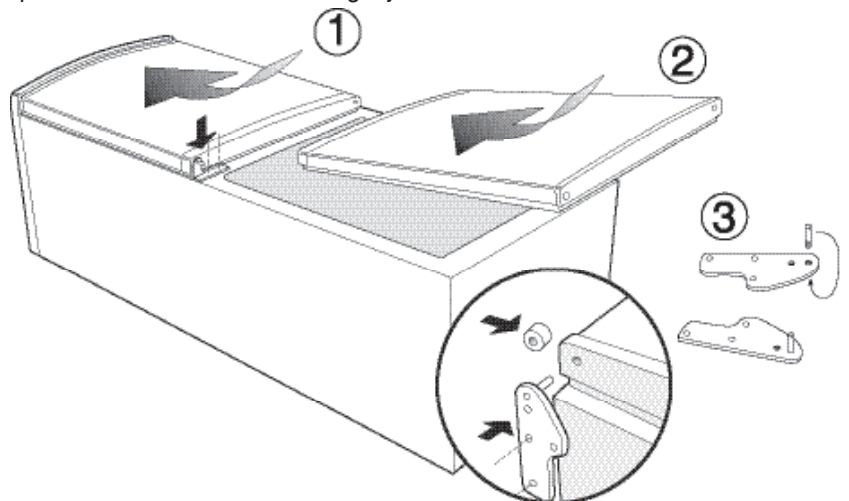
5. Le goujon sera déposé et fixé de l'autre côté.
6. Utiliser un instrument mince et émoussé pour démonter les douilles des charnières supérieures et inférieures des portes ainsi que les bouchons en veillant à ne pas rayer la poignée. Remettre à leur place les bouchons et les douilles sur le côté opposé.

7. Introduire les bouchons fournis dans les deux trous de charnière du milieu sur le côté droit.
8. Avant de changer la charnière de place et de l'installer à gauche au lieu de droite, retirez la vis située sur le panneau de gauche. Vous devrez la visser sur le panneau de droite une fois la charnière installée de l'autre côté.



Comment remonter les portes

1. Faire glisser la porte supérieure vers le haut et introduire le goujon de la charnière supérieure à l'intérieur de la douille de la porte. Remonter la charnière du milieu sur le côté opposé.
2. Faire glisser vers le haut avec précaution la porte inférieure à l'intérieur du goujon de charnière central.
3. Dévisser le goujon de charnière inférieur et le remonter sur le côté opposé.
4. Fixer la charnière inférieure et s'assurer que la porte est bien alignée par rapport au meuble.
5. Remettre avec précaution l'appareil à la verticale à l'emplacement voulu et s'assurer qu'il est bien mis à niveau. Ouvrir et fermer les portes pour s'assurer de la parfaite étanchéité du joint quand les portes sont fermées.



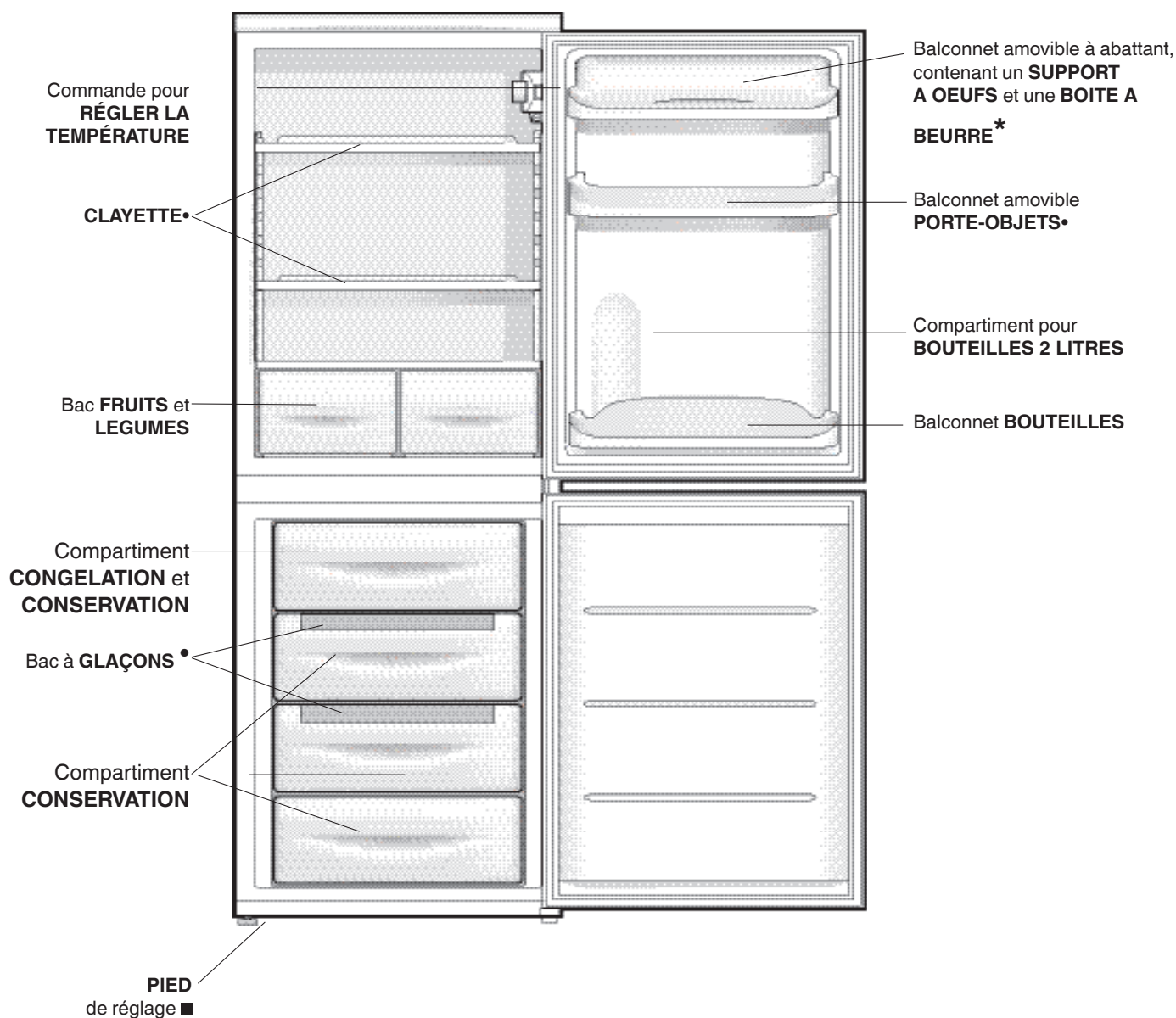
REMARQUE : réintroduire tous les éléments et accessoires mobiles à l'intérieur de l'appareil et attendre au moins 15 minutes avant de le mettre en service.

Description de l'appareil

F

Vue d'ensemble

Ces instructions d'utilisation s'appliquent à plusieurs modèles, il se peut donc que les composants illustrés présentent des différences par rapport à ceux de l'appareil que vous avez acheté. Vous trouverez dans les pages suivantes la description des objets plus complexes.



■ Il y a un seul pied de réglage.

• Leur nombre et/ou leur emplacement peut varier.

* N'existe que sur certains modèles.

Mise en marche et utilisation

Mise en service de l'appareil

! Avant de mettre l'appareil en service, suivez bien les instructions sur l'installation (voir Installation).

! Avant de brancher votre appareil, nettoyez bien les compartiments et les accessoires à l'eau tiède additionnée de bicarbonate.

1. Branchez la fiche dans la prise de courant et assurez-vous que l'éclairage intérieur s'allume.
2. Amenez le bouton de REGLAGE DE LA TEMPERATURE sur une valeur intermédiaire. Au bout de quelques heures, vous pourrez commencer à stocker des aliments dans le réfrigérateur.

Pour profiter à plein de votre réfrigérateur

Le réglage de la température à l'intérieur du compartiment réfrigérateur est automatique en fonction de la position du bouton du thermostat.

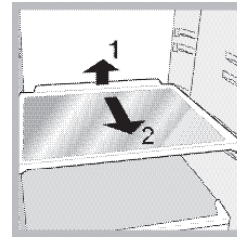
1 = moins froid 5 = plus froid

Nous conseillons toutefois une position intermédiaire. Pour augmenter la place disponible, simplifier le rangement et améliorer l'aspect esthétique, cet appareil loge sa "partie refroidissante" à l'intérieur de la paroi arrière du compartiment réfrigérateur. Pendant le fonctionnement de l'appareil, cette paroi est tour à tour couverte de givre ou de gouttelettes d'eau selon que le compresseur est en marche ou à l'arrêt. Ne vous inquiétez pas ! Votre réfrigérateur fonctionne normalement.

Si vous amenez le bouton de REGLAGE DE LA TEMPERATURE sur des valeurs plus élevées, que vous stockez de grandes quantités d'aliments et que la température ambiante est élevée, votre appareil peut fonctionner de façon continue, ce qui entraîne une formation abondante de givre et une consommation d'électricité excessive : amenez alors le bouton sur des valeurs plus basses (un dégivrage automatique sera lancé).

A l'intérieur des appareils statiques l'air circule de façon naturelle : l'air plus froid a tendance à descendre car il est plus lourd. Quelques exemples de rangement des aliments :

Aliments	Rangement à l'intérieur du réfrigérateur
Viande et poisson éviscéré	Au-dessus des bacs à fruits et légumes
Fromages frais	Au-dessus des bacs à fruits et légumes
Aliments cuits	Sur n'importe quelle clayette
Saucissons, pain de mie, chocolat	Sur n'importe quelle clayette
Fruits et légumes	Dans les bacs à fruits et à légumes
Œufs	Dans le balconnet prévu
Beurre et margarine	Dans le balconnet prévu
Bouteilles, boissons, lait	Dans le balconnet prévu



CLAYETTES: pleines ou grillagées. Elles sont amovibles et réglables en hauteur grâce à des glissières spéciales (voir figure), pour le rangement de récipients ou d'aliments de grande dimension. Pour régler la hauteur, pas besoin de sortir la clayette complètement.

- N'introduisez que des aliments froids ou à peine tièdes, jamais chauds (voir Précautions et conseils).
- Les aliments cuits contrairement à ce que l'on croit ne se conservent pas plus longtemps que les aliments crus.
- N'introduisez pas de récipients non fermés contenant des liquides : ces derniers entraîneraient une augmentation de l'humidité et la formation d'eau condensée.

Indicateur de **TEMPERATURE***: pour repérer la zone la plus froide à l'intérieur du réfrigérateur.

1. Contrôler que l'indicateur affiche bien OK (voir figure).



2. Si le message OK n'est pas affiché, c'est que la température est trop élevée : régler le bouton FONCTIONNEMENT REFRIGERATEUR sur un numéro plus élevé (plus froid) et attendre environ 10 h jusqu'à ce que la température se stabilise.
3. Contrôler l'indicateur une nouvelle fois : si nécessaire, procéder à un nouveau réglage. Si de grosses quantités d'aliments ont été stockées ou si la porte du réfrigérateur est ouverte très souvent, il est normal que l'indicateur n'indique pas OK. Attendre au moins 10 h avant de régler le bouton FONCTIONNEMENT REFRIGERATEUR sur un chiffre plus élevé.

Pour profiter à plein de votre congélateur

- Ne recongelez pas des aliments décongelés ou en cours de décongélation; il faut les faire cuire et les consommer (dans les 24 heures).
- Les aliments frais à congeler ne doivent pas être placés au contact d'aliments déjà congelés; il faut les stocker dans le compartiment supérieur CONGELATION et CONSERVATION où la température qui descend au-dessous de -18°C garantit une vitesse de congélation adéquate.
- Ne stockez pas dans votre congélateur des bouteilles en verre contenant des liquides, bouchées ou fermées hermétiquement, elles pourraient se briser.
- La quantité journalière maximale d'aliments pouvant être congelée est indiquée sur l'étiquette des

caractéristiques, placée dans le compartiment réfrigérateur en bas à gauche (exemple: 4 Kg/24h).

- Pour gagner de la place à l'intérieur du compartiment congélation, vous pouvez enlever les tiroirs (sauf le tiroir du bas et celui de la COOL CARE ZONE à température variable si votre appareil en est équipé) et stocker vos aliments directement sur les plaques évaporantes.

! Evitez d'ouvrir la porte pendant la phase de congélation.

! En cas de coupure de courant ou de panne, n'ouvrez pas la porte du congélateur : les produits surgelés et congelés se conserveront ainsi sans problème pendant 9 - 14 heures environ.

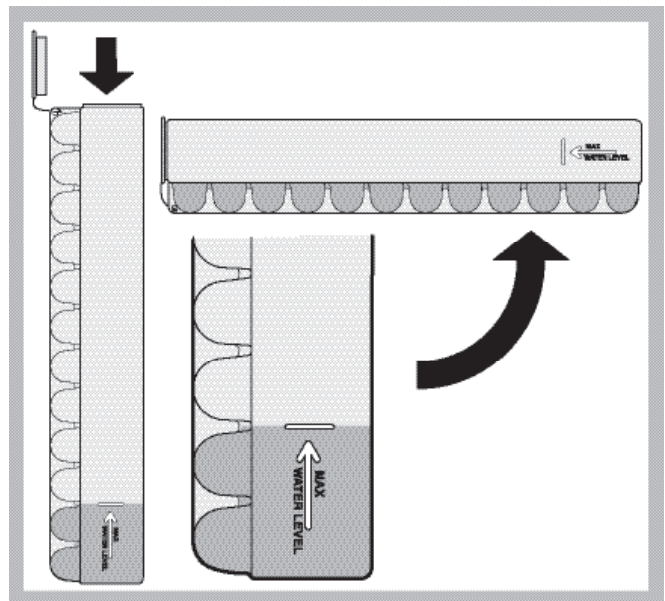
! Si la température ambiante se maintient longuement au-dessous de 14°C, le compartiment freezer n'arrive pas à atteindre les températures indispensables à une longue conservation et la période de conservation sera par conséquent réduite.

Bac à **GLAÇONS**.

Placés dans la partie supérieure des tiroirs du compartiment

freezer, ils sont plus ergonomiques et garantissent davantage de propreté: en effet, les glaçons ne touchent plus aux aliments stockés dans le freezer; de plus, fini l'eau qui dégouline lorsque vous rangez votre bac (un couvercle est fourni pour boucher le récipient après l'avoir rempli).

1. Pour sortir le bac, poussez-le vers le haut . Vérifiez que le bac est bien vide avant de le remplir en introduisant l'eau par l'ouverture prévue.
2. Attention à ne pas dépasser le niveau indiqué (MAX WATER LEVEL). Une trop grande quantité d'eau gêne la sortie des glaçons (si celase produit, attendez que la glace fonde et videz le bac).
3. Faites pivoter le bac de 90° : l'eau envahit les cavités selon le principe des vases communicants (voir figure).
4. Bouchez l'ouverture à l'aide du couvercle fourni et remettez le bac à sa place.
5. Une fois que la glace s'est formée (il faut compter au moins 8 heures) tapez le bac contre une surface dure et mouillez-le à l'extérieur pour détacher les glaçons que vous ferez sortir par l'ouverture prévue.



Mise hors tension

Pendant les opérations de nettoyage et d'entretien, mettez l'appareil hors tension en débranchant la fiche de l'appareil de la prise de courant. Il ne suffit pas de placer le bouton de réglage de la température sur ● (appareil éteint) pour éliminer tout contact électrique.

Nettoyage de l'appareil

- Nettoyez l'extérieur, l'intérieur et les joints en caoutchouc à l'aide d'une éponge imbibée d'eau tiède additionnée de bicarbonate de soude ou de savon neutre. N'utilisez pas de solvants, de produits abrasifs, d'eau de Javel ou d'ammoniaque.
- mettez tremper les accessoires amovibles dans de l'eau chaude additionnée de savon ou de liquide vaisselle. Rincez-les et essuyez-les soigneusement.
- Le dos de l'appareil a tendance à s'empoussiérer, pour éliminer la poussière avec délicatesse, après avoir éteint l'appareil et débranché la fiche, servez-vous d'un aspirateur montant un accessoire adéquat et réglé sur une puissance intermédiaire.

Contre la formation de moisissures et de mauvaises odeurs

- Cet appareil est fabriqué dans des matériaux hygiéniques qui ne transmettent pas d'odeur. Pour sauvegarder cette caractéristique, veillez à bien emballer et couvrir vos aliments. Vous éviterez par la même occasion la formation de taches.
- Si vous devez laisser votre appareil éteint pendant une période de temps prolongée, nettoyez-le bien l'intérieur et laissez les portes ouvertes.

Dégivrage de l'appareil

! Conformez-vous aux instructions suivantes.

Ne pas utiliser d'objets pointus et coupants pour dégivrer l'appareil, ils risqueraient d'endommager irréparablement le circuit réfrigérant.

Dégivrage du compartiment réfrigérateur

Le réfrigérateur est muni d'un système de dégivrage automatique : l'eau est acheminée vers la paroi arrière par un trou d'évacuation (voir figure) où la chaleur produite par le compresseur la fait évaporer. Il vous suffit de nettoyer périodiquement le trou d'évacuation pour permettre à l'eau de s'écouler normalement.

Dégivrage du compartiment congélateur

Éliminez périodiquement le givre à l'aide de la raclette plastique fournie avec l'appareil. Si la couche de givre dépasse 5 mm,

procédez à un dégivrage manuel:

1. Amenez le bouton de REGLAGE DE LA TEMPERATURE sur ●.
2. Enveloppez vos produits surgelés ou congelés dans

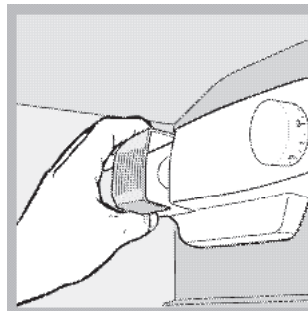
du papier et placez-les dans un endroit frais.

3. Laissez la porte ouverte jusqu'à ce que le givre fonde complètement; pour accélérer cette opération placez dans le compartiment congélateur des récipients d'eau tiède.
4. Nettoyez et séchez soigneusement le compartiment congélateur avant de rallumer l'appareil.
5. Avant de ranger vos aliments dans le compartiment congélateur, attendez environ 2 heures pour le rétablissement des conditions idéales de conservation des aliments.

Remplacement de l'ampoule d'éclairage

Pour remplacer l'ampoule d'éclairage du compartiment réfrigérateur, débranchez la fiche de la prise de courant. Suivez les indications fournies ci-dessous.

Pour pouvoir remplacer l'ampoule, démontez le couvercle de protection comme illustré (voir figure). Remplacez-la par une ampoule semblable dont la puissance doit correspondre à celle indiquée sur le couvercle de protection (15 W ou 25 W).



Précautions et conseils

F

! L'appareil a été conçu et fabriqué conformément aux normes internationales de sécurité. Ces conseils sont fournis pour des raisons de sécurité et doivent être lus attentivement.



Cet appareil est conforme aux Directives Communautaires suivantes:

- 73/23/CEE du 19/02/73 (Basse Tension) et modifications suivantes;

- 89/336/CEE du 03/05/89 (Compatibilité Electromagnétique) et modifications suivantes;

- 2002/96/CE.



Sécurité générale

- Cet appareil a été conçu pour un usage familial, de type non professionnel.
- Cet appareil qui sert à conserver et à congeler des aliments ne doit être utilisé que par des adultes conformément aux instructions du mode d'emploi.
- Cet appareil ne doit pas être installé en extérieur, même dans un endroit à l'abri, il est en effet très dangereux de le laisser exposé à la pluie et aux orages.
- Ne touchez pas à l'appareil pieds nus ou si vos mains ou pieds sont mouillés ou humides.
- Ne touchez pas aux parties refroidissantes: vous pourriez vous brûler ou vous blesser.
- Pour débrancher la fiche de la prise de courant, sortez la fiche, ne tirez surtout pas sur le câble.
- Avant d'effectuer toute opération de nettoyage ou d'entretien, débranchez la fiche de la prise de courant. Il ne suffit pas de placer le bouton de REGLAGE DE LA TEMPERATURE sur ● (appareil éteint) pour éliminer tout contact électrique.
- En cas de panne, n'essayez en aucun cas d'accéder aux mécanismes internes pour tenter de réparer l'appareil.
- Ne pas utiliser, à l'intérieur des compartiments de conservation pour aliments congelés, d'ustensiles pointus et coupants ou d'appareils électriques d'un type autre que celui recommandé par le fabricant.
- Ne pas porter à la bouche des glaçons à peine sortis du congélateur.
- Cet appareil n'est pas prévu pour être utilisé par des personnes (y compris les enfants) dont les capacités physiques, sensorielles ou mentales sont réduites, ou des personnes dénuées d'expérience ou de connaissance, sauf si elles ont pu bénéficier, par l'intermédiaire d'une personne responsable de leur sécurité, d'une surveillance ou d'instructions préalables concernant l'utilisation de l'appareil. Il convient de surveiller les enfants afin qu'ils ne jouent pas avec l'appareil
- Les emballages ne sont pas des jouets pour enfants.

Mise au rebut

- Mise au rebut du matériel d'emballage: conformez-vous aux réglementations locales, les emballages pourront ainsi être recyclés.
- La Directive Européenne 2012/19/EU sur les Déchets des Equipements Electriques et Electroniques (DEEE), exige que les appareils ménagers usagés ne soient pas jetés dans le flux normal des déchets municipaux. Les appareils usagés doivent être collectés séparément afin d'optimiser le taux de récupération et le recyclage des matériaux qui les composent et réduire l'impact sur la santé humaine et l'environnement. Le symbole de la "poubelle barrée" est apposée sur tous les produits pour rappeler les obligations de collecte séparée. Les consommateurs devront contacter les autorités locales ou leur revendeur concernant la démarche à suivre pour l'enlèvement de leur vieil appareil.

Economies et respect de l'environnement

- Installez votre appareil dans un endroit frais et bien aéré, protégez-le contre l'exposition directe aux rayons du soleil et ne le placez pas près de sources de chaleur.
- Pour introduire ou sortir les aliments, n'ouvrez les portes de l'appareil que le temps strictement nécessaire. Chaque ouverture de porte cause une considérable dépense d'énergie.
- Ne chargez pas trop votre appareil: pour une bonne conservation des aliments, le froid doit pouvoir circuler librement. Si la circulation est entravée, le compresseur travaillera en permanence.
- N'introduisez pas d'aliments chauds: ces derniers font monter la température intérieure ce qui oblige le compresseur à travailler beaucoup plus en gaspillant un tas d'électricité.
- Dégivrez l'appareil dès que de la glace se dépose (voir Entretien); une couche de glace trop épaisse gêne considérablement la cession de froid aux aliments et augmente la consommation d'électricité.
- Gardez toujours les joints propres et en bon état pour qu'ils adhèrent bien aux portes et ne laissent pas le froid s'échapper (voir Entretien).

Il peut arriver que l'appareil ne fonctionne pas. Avant de téléphoner au service de dépannage (voir Assistance), contrôlez s'il ne s'agit pas d'un problème facile à résoudre à l'aide de la liste suivante.

F

Anomalies:

L'éclairage intérieur ne s'allume pas.

Le réfrigérateur et le congélateur refroidissent peu.

Les aliments gèlent à l'intérieur du réfrigérateur.

Le moteur est branché en permanence.

L'appareil est très bruyant.

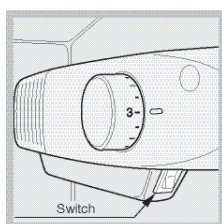
La température est élevée à certains endroits de l'extérieur du réfrigérateur.

Formation de givre ou de gouttelettes d'eau sur la paroi arrière du compartiment réfrigérateur.

Il y a de l'eau dans le fond du réfrigérateur.

Excès d'humidité ou de glace de glace derrière le réfrigérateur

Réfrigérateur chaud



Causes / Solution possibles:

- La fiche n'est pas branchée dans la prise de courant ou pas assez enfoncée pour qu'il y ait contact ou bien il y a une coupure de courant.

- Les portes ne ferment pas bien ou les joints sont abîmés.
- Ouverture trop fréquente des portes.
- La position du bouton de REGLAGE DE LA TEMPERATURE n'est pas correcte
- Le réfrigérateur et le congélateur sont excessivement remplis.
- La température ambiante de travail du produit est inférieure à 14°C.

- La position du bouton de REGLAGE DE LA TEMPERATURE n'est pas correcte
- Les aliments touchent à la paroi arrière.

- La porte n'est pas bien fermée ou trop souvent ouverte.
- La température à l'extérieur est très élevée.
- L'épaisseur du givre dépasse 2-3 mm (voir Entretien).

- L'appareil n'a pas été installé bien à plat (voir Installation).
- L'appareil est installé entre des meubles ou des objets qui vibrent et font du bruit.
- Le gaz réfrigérant interne produit un léger bruit même quand le compresseur est à l'arrêt: il ne s'agit pas d'un défaut, c'est tout à fait normal.

- Les températures élevées sont nécessaires pour éviter la formation d'eau condensée dans des zones particulières du produit

- Il s'agit du fonctionnement normal du produit.

- Le trou d'évacuation de l'eau est bouché (voir Entretien).

- Si la porte du réfrigérateur reste ouverte pendant une période prolongée, un excès d'humidité ou de glace peut se former. Le problème sera résolu dès que la porte sera fermée, ce qui permettra le dégivrage du réfrigérateur, éliminant ainsi l'humidité présente. Cette situation est normale pour la fonction de refroidissement du réfrigérateur, surtout en période estivale.

- Si la température ambiante est inférieure ou égale à 16 °C, par exemple, lorsque le réfrigérateur se trouve dans un garage ou dans un espace ouvert, l'interrupteur doit se trouver en position **ON** afin que le réfrigérateur fonctionne correctement.

F

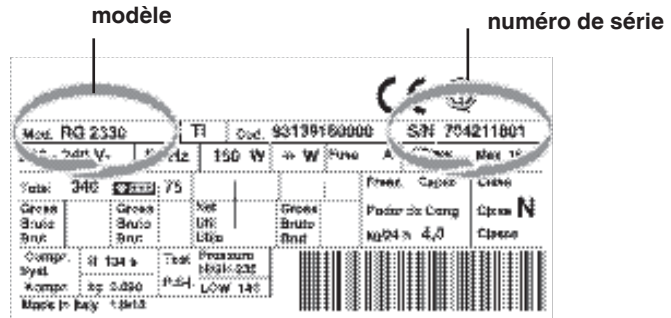
Avant de contacter le centre d'Assistance:

- Vérifiez si vous pouvez résoudre l'anomalie vous-même (voir Anomalies et Remèdes).
- Si, malgré tous ces contrôles, l'appareil ne fonctionne toujours pas et l'inconvénient persiste, faites appel au service après-vente le plus proche de chez vous.

Signalez:

- le type d'anomalie
- le modèle de l'appareil (Mod.)
- le numéro de série (S/N)

Vous trouverez tous ces renseignements sur l'étiquette signalétique placée dans le compartiment réfrigérateur en bas à gauche.



Ne faites jamais appel à des techniciens non agréés et refusez toujours des pièces détachées non originales.

Istruzioni per l'uso

COMBINATO FRIGORIFERO/CONGELATORE



English, 1



Deutsch, 11



Français, 21



Italiano, 31



Espanol, 41



Portuges, 51



Hrvatski, 61



Česky, 71



Magyar, 81



Polski, 91



Română, 101



Srpski, 111



Slovenčina, 121

CA 55 xx
CAA 55 xx
NCAA 55 xx

Sommario

Installazione, 32-33

Posizionamento e collegamento
Reversibilità apertura porte

Descrizione dell'apparecchio, 34

Vista d'insieme

Avvio e utilizzo, 35-36

Avviare l'apparecchio
Utilizzare al meglio il frigorifero
Utilizzare al meglio il congelatore

Manutenzione e cura, 37

Escludere la corrente elettrica
Pulire l'apparecchio
Evitare muffe e cattivi odori
Sbrinare l'apparecchio
Sostituire la lampadina

Precauzioni e consigli, 38

Sicurezza generale
Smaltimento
Risparmiare e rispettare l'ambiente

Anomalie e rimedi, 39

Assistenza, 40

Assistenza attiva 7 giorni su 7

Installazione

! È importante conservare questo libretto per poterlo consultare in ogni momento. In caso di vendita, di cessione o di trasloco, assicurarsi che resti insieme all'apparecchio per informare il nuovo proprietario sul funzionamento e sui relativi avvertimenti.

! Leggere attentamente le istruzioni: ci sono importanti informazioni sull'installazione, sull'uso e sulla sicurezza.

Posizionamento e collegamento

Posizionamento

1. Posizionare l'apparecchio in un ambiente ben aerato e non umido.
2. Non ostruire le griglie posteriori di ventilazione: compressore e condensatore emettono calore e richiedono una buona aerazione per funzionare bene e contenere i consumi elettrici.
3. Lasciare una distanza di almeno 10 cm tra la parte superiore dell'apparecchio ed eventuali mobili sovrastanti e di almeno 5 cm tra le fiancate e mobili/pareti laterali.
4. Lasciare l'apparecchio lontano da fonti di calore (la luce solare diretta, una cucina elettrica).
5. Per mantenere una ottimale distanza del prodotto dalla parete posteriore, montare i distanzieri presenti nel kit di installazione seguendo le istruzioni presenti sul foglio dedicato.

Livellamento

1. Installare l'apparecchio su un pavimento piano e rigido.
2. Se il pavimento non fosse perfettamente orizzontale, compensare svitando o avvitando l'unico piedino di regolazione anteriore.

Collegamento elettrico

Dopo il trasporto, posizionare l'apparecchio verticalmente e attendere almeno 3 ore prima di collegarlo all'impianto elettrico. Prima di inserire la spina nella presa della corrente, accertarsi che:

- la presa abbia la messa a terra e sia a norma di legge;
- la presa sia in grado di sopportare il carico massimo di potenza della macchina, indicato nella targhetta caratteristiche posta nel vano frigorifero in basso a sinistra (es 150 W);
- la tensione di alimentazione sia compresa nei valori indicati nella targhetta caratteristiche, posta in basso a sinistra (es 220-240 V);
- la presa sia compatibile con la spina dell'apparecchio. In caso contrario richiedere la sostituzione della spina a un tecnico autorizzato (vedi Assistenza); non usare prolunghe e multiple.

! Ad apparecchio installato, il cavo elettrico e la presa della corrente devono essere facilmente raggiungibili.

! Il cavo non deve subire piegature o compressioni.

! Il cavo deve essere controllato periodicamente e sostituito solo da tecnici autorizzati (vedi Assistenza).

! L'azienda declina ogni responsabilità qualora queste norme non vengano rispettate.

Reversibilità apertura porte

Attenzione: prima di provare a rimuovere le porte, spegnere l'alimentatore e staccare la spina di rete.

Nell'eseguire questa operazione, è consigliabile rimuovere qualunque elemento/accessorio sfuso dall'interno dell'apparecchio e inserire gli alimenti in contenitori isolati.

Potrebbe essere necessaria assistenza per poggiare con attenzione la parte posteriore dell'apparecchio su materiali protettivi idonei (ad esempio, l'imballaggio originale).

Rimozione delle porte

1. Poggiare l'apparecchio sulla parte posteriore.

2. Svitare, estrarre e conservare la cerniera inferiore.

3. Aprire leggermente la porta inferiore e farla scivolare verso il basso; rimuoverla e appoggiarla attentamente da un lato.

4. Rimuovere la cerniera centrale e il distanziale, se presente. Aprire leggermente la porta superiore e farla scivolare verso il basso; rimuoverla e appoggiarla attentamente da un lato.

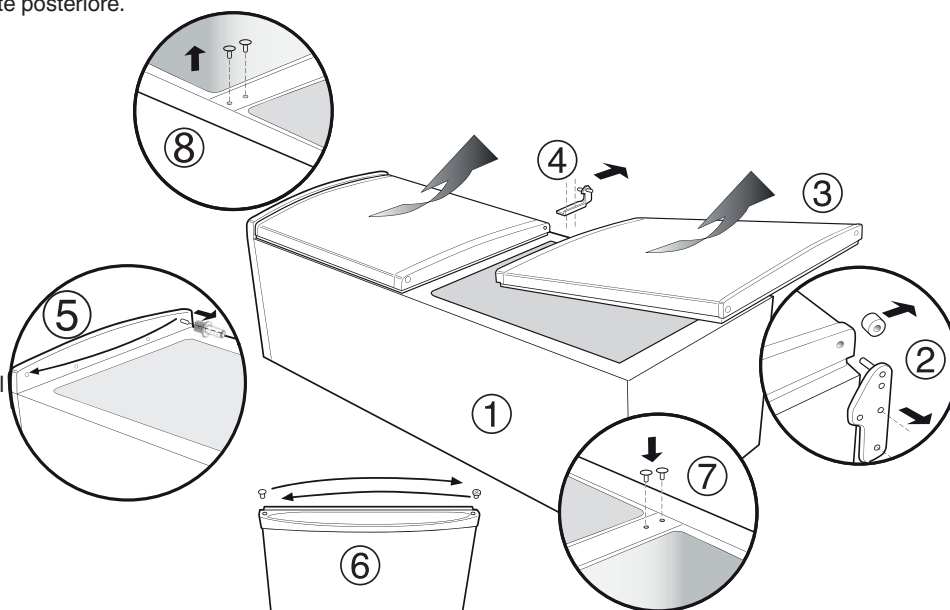
5. Il perno sarà rimosso e fissato sul lato opposto.

6. Usare uno strumento sottile e smussato per rimuovere dalle porte le boccole delle cerniere superiori ed inferiori e gli sbizzatori, facendo attenzione a non rigare la maniglia.

Riposizionare gli sbizzatori e le boccole nel lato opposto.

7. Inserire gli sbizzatori in dotazione all'interno dei due fori d'incernieramento centrali dal lato destro.

8. Prima di spostare la cerniera dal lato destro al lato sinistro, la vite sul pannello del lato sinistro deve essere smontata e montata sul pannello del lato destro dopo aver spostato la cerniera.



Riposizionamento delle porte

1. Far scivolare la porta superiore verso l'alto e inserire il perno d'incernieramento superiore all'interno della boccola della porta.

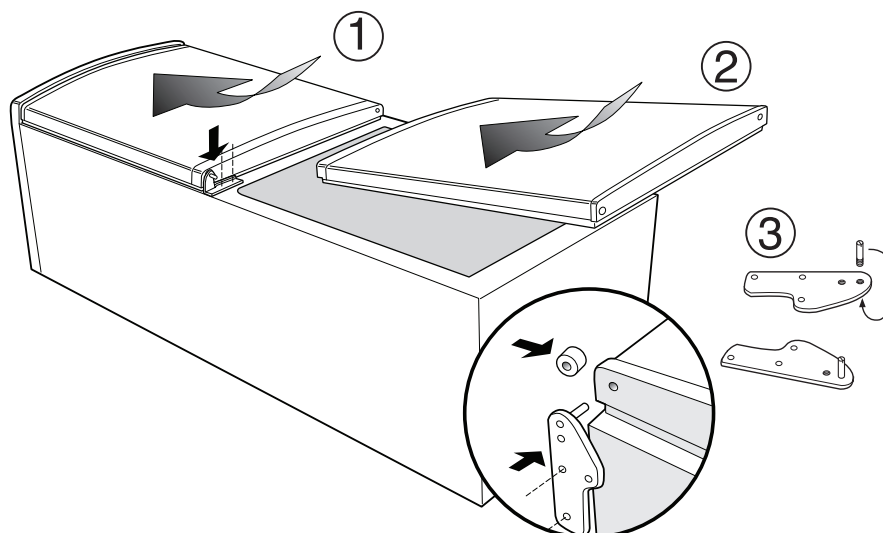
Riposizionare la cerniera centrale nel lato opposto.

2. Far scivolare attentamente verso l'altro la porta inferiore all'interno del perno d'incernieramento centrale.

3. Svitare il perno d'incernieramento inferiore e riposizionarlo nel lato opposto.

4. Fissare la cerniera inferiore assicurandosi che la porta sia allineata al mobile.

5. Mettere attentamente l'apparecchio in posizione verticale nel punto richiesto e assicurarsi che sia bene in piano. Aprire e chiudere le porte per controllare che la guarnizione garantisca un'adeguata tenuta senza fessure quando le porte sono chiuse.

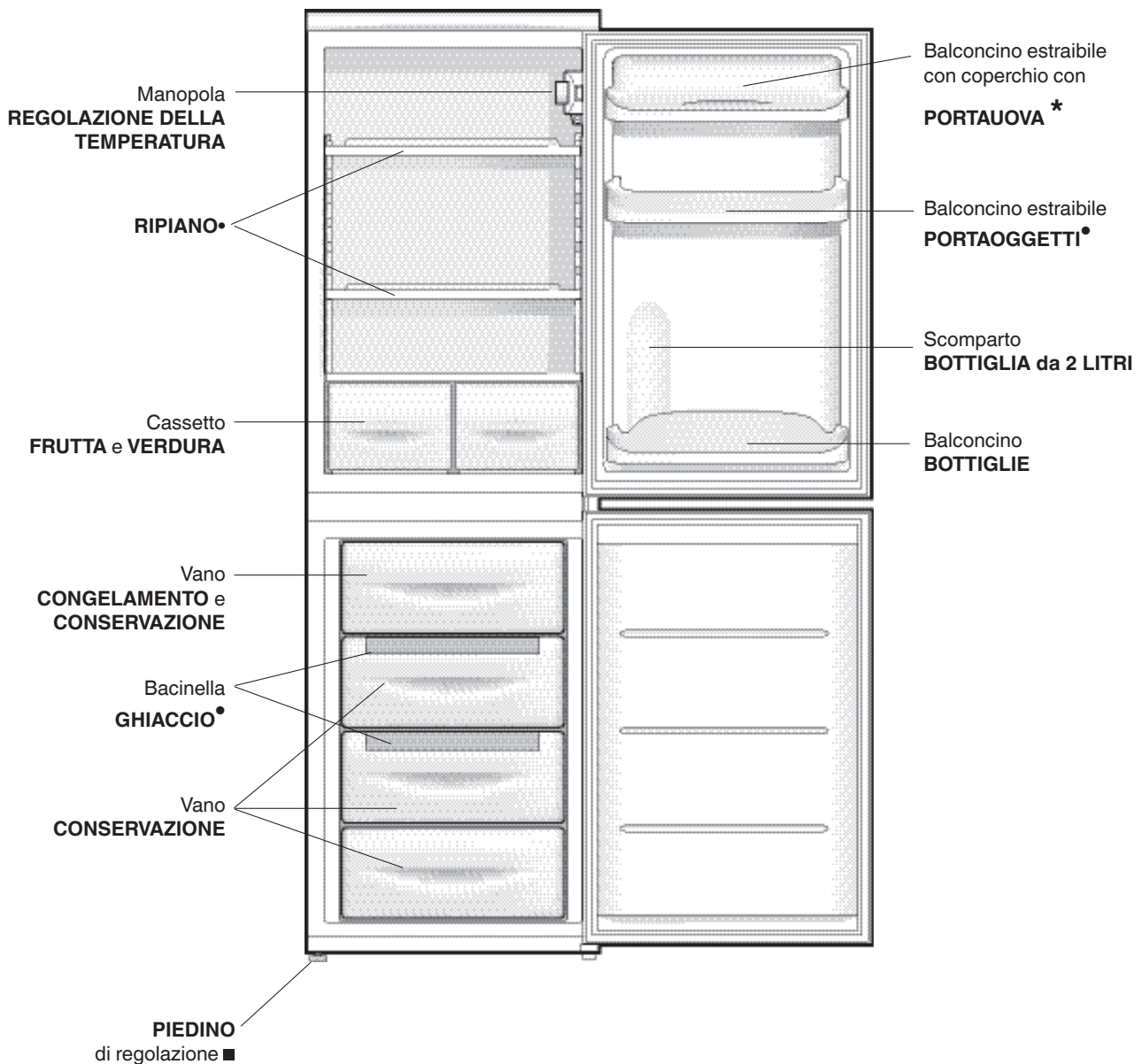


NOTA: reinserire gli elementi/accessori sfusi nell'apparecchio e aspettare almeno 15 minuti prima di riaccendere.

Descrizione dell'apparecchio

Vista d'insieme

Le istruzioni sull'uso valgono per diversi modelli per cui è possibile che la figura presenti particolari differenti rispetto a quelli dell'apparecchio acquistato. La descrizione degli oggetti più complessi si trova nelle pagine seguenti.



■ Esiste un solo piedino di regolazione.

• Variabili per numero e/o per posizione.

* Presente solo in alcuni modelli.

Avviare l'apparecchio

! Prima di avviare l'apparecchio, seguire le istruzioni sull'installazione (vedi Installazione).

! Prima di collegare l'apparecchio pulire bene i vani e gli accessori con acqua tiepida e bicarbonato.

1. Inserire la spina nella presa e accertarsi che si accenda la lampada di illuminazione interna.
2. Ruotare la manopola per LA REGOLAZIONE DELLA TEMPERATURA su un valore medio. Dopo qualche ora sarà possibile inserire alimenti nel frigorifero.

Utilizzare al meglio il frigorifero

La temperatura all'interno del reparto frigorifero si regola automaticamente in base alla posizione della manopola del termostato.

1 = meno freddo

5 = più freddo

Si consiglia, comunque, una posizione media

Per aumentare lo spazio e disposizione e migliorare l'aspetto estetico, questo apparecchio ha la "parte raffreddante" posizionata all'interno della parete posteriore del reparto frigo. Tale parete, durante il funzionamento, si presenterà coperta di brina, oppure di goccioline di acqua a secondo se il compressore è in funzione o in pausa. Non preoccupatevi di questo! Il frigorifero sta lavorando in modo normale.

Se si imposta la manopola FUNZIONAMENTO FRIGORIFERO su valori alti, con grossi quantitativi di alimenti e con una temperatura ambiente elevata, l'apparecchio può funzionare di continuo, favorendo un'eccessiva formazione di brina ed eccessivi consumi elettrici: ovviare spostando la manopola verso i valori più bassi (verrà effettuato uno sbrinamento automatico).

Negli apparecchi statici l'aria circola in modo naturale: quella più fredda tende a scendere perché più pesante. Ecco come sistemare gli alimenti:

Alimento	Disposizione nel frigorifero
Carne e pesce pulito	Sopra i cassetti frutta e verdura
Formaggi freschi	Sopra i cassetti frutta e verdura
Cibi cotti	Su qualsiasi ripiano
Salami, pane in cassetta, cioccolata	Su qualsiasi ripiano
Frutta e verdura	Nel cassetto frutta e verdura
Uova	Nell'apposito balconcino
Burro e margarina	Nell'apposito balconcino
Bottiglie, bibite, latte	Nell'apposito balconcino

Indicatore **TEMPERATURA***: per individuare la zona più fredda del frigorifero.

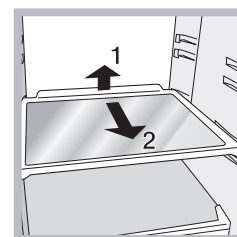
1. Controllare che sull'indicatore risulti ben evidente OK (vedi figura).



2. Se non compare la scritta OK significa che la temperatura è troppo elevata: regolare la manopola FUNZIONAMENTO FRIGORIFERO su una posizione più alta (più freddo) e attendere circa 10 h finché la temperatura si sia stabilizzata.
 3. Controllare nuovamente l'indicatore: se necessario, procedere con una nuova regolazione. Se si sono introdotte grosse quantità di alimenti o si è aperta frequentemente la porta del frigorifero, è normale che l'indicatore non segni OK. Attendere almeno 10 h prima di regolare la manopola FUNZIONAMENTO FRIGORIFERO su una posizione più alta. • Inserire soltanto alimenti freddi o appena tiepidi, non caldi (vedi Precauzioni e consigli).
- Ricordarsi che gli alimenti cotti non si mantengono più a lungo di quelli crudi.
 - Non inserire liquidi in recipienti scoperti: provocherebbero un aumento di umidità con conseguente formazione di condensa.

RIPIANI: pieni o a griglia.

Sono estraibili e regolabili in altezza grazie alle apposite guide (vedi figura), per l'inserimento di contenitori o alimenti di notevole dimensione. Per regolare l'altezza non è necessario estrarre completamente il ripiano



Utilizzare al meglio il congelatore

- Non ricongelare alimenti che stanno per scongelare o scongelati; tali alimenti devono essere cotti per essere consumati (entro 24 ore).
- Gli alimenti freschi da congelare non devono essere posti a contatto con quelli già congelati; vanno sistemati nel vano superiore CONGELAMENTO e CONSERVAZIONE dove la temperatura scende sotto i -18°C e garantisce una buona velocità di congelamento.
- Non mettere nel congelatore bottiglie di vetro contenenti liquidi, tappate o chiuse ermeticamente, perché potrebbero rompersi.
- La quantità massima giornaliera di alimenti da congelare è indicata sulla targhetta caratteristiche, posta nel vano frigorifero in basso a sinistra (esempio: Kg/24h 4).
- Al fine di ottenere un spazio maggiore nel reparto freezer potete togliere i cassetti dalle loro sedi (tranne quello più in basso e l'eventuale cassetto COOL CARE ZONE a temperatura variabile), sistemando gli alimenti direttamente sulle piastre evaporanti.

! Durante il congelamento evitare di aprire la porta.

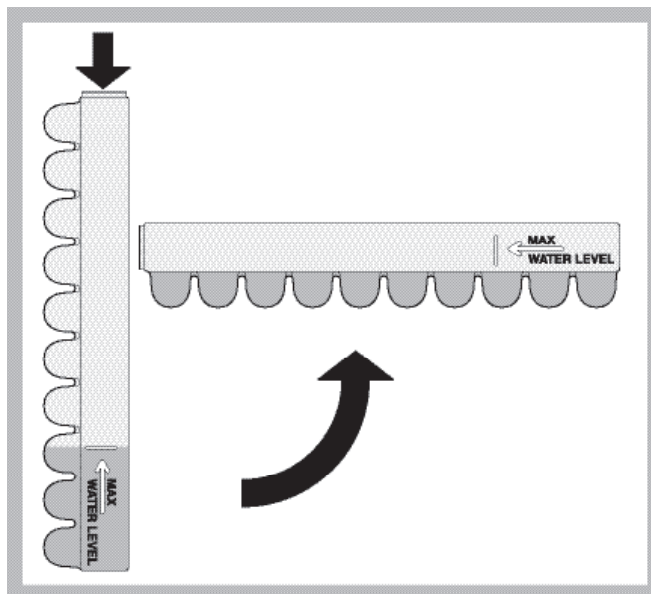
! In caso di interruzione di corrente o di guasto, non aprire la porta del congelatore: in questo modo congelati e surgelati si conserveranno senza alterazioni per circa 9-14 ore.

! Se per lungo tempo permane la temperatura ambiente più fredda di 14°C , non si raggiungono completamente le temperature necessarie per una lunga conservazione nel reparto freezer e il periodo di conservazione risulterà pertanto ridotto.

Bacinella GHIACCIO

La collocazione sulla parte superiore dei cassetti riposti nel vano freezer garantisce una maggior pulizia (il ghiaccio non viene più a contatto con gli alimenti) ed ergonomia (non si sgocciola in fase di caricamento).

1. Verificare che la bacinella sia completamente vuota e riempirla d'acqua attraverso l'apposito foro.
2. Fare attenzione a non superare il livello indicato (MAX WATER LEVEL). Troppa acqua ostacola la fuoriuscita dei ghiaccioli (se succede, attendere che il ghiaccio si sciogla e svuotare la bacinella).
3. Ruotare la bacinella di 90° : l'acqua riempie le forme per il principio dei vasi comunicanti (vedi figura).
4. Chiudere il foro con il coperchio in dotazione e riporre la bacinella.
5. Quando il ghiaccio sarà formato (tempo minimo circa 8 ore) battere la bacinella su una superficie dura e bagnarne l'esterno per far staccare i ghiaccioli; farli poi uscire dal foro.



Escludere la corrente elettrica

Durante i lavori di pulizia e manutenzione è necessario isolare l'apparecchio dalla rete di alimentazione staccando la spina dalla presa.

Non è sufficiente portare la manopola per la regolazione della temperatura sulla posizione ● (apparecchio spento) per eliminare ogni contatto elettrico.

Pulire l'apparecchio

- Le parti esterne, le parti interne e le guarnizioni in gomma possono essere pulite con una spugna imbevuta di acqua tiepida e bicarbonato di sodio o sapone neutro. Non usare solventi, abrasivi, candeggina o ammoniaca.
- Gli accessori estraibili possono essere messi a bagno in acqua calda e sapone o detersivo per piatti. Sciacquarli e asciugarli con cura.
- Il retro dell'apparecchio tende a coprirsi di polvere, che può essere eliminata utilizzando con delicatezza, dopo aver spento l'apparecchio e staccato la presa di corrente, la bocchetta lunga dell'aspirapolvere, impostato su una potenza media.

Evitare muffe e cattivi odori

- L'apparecchio è fabbricato con materiali igienici che non trasmettono odori. Per mantenere questa caratteristica è necessario che i cibi vengano sempre protetti e chiusi bene. Ciò eviterà anche la formazione di macchie.
- Nel caso si voglia spegnere l'apparecchio per un lungo periodo, pulire l'interno e lasciare le porte aperte.

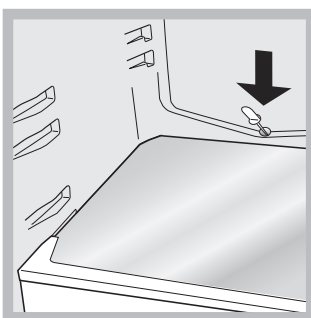
Sbrinare l'apparecchio

! Attenersi alle istruzioni sottostanti.

Per sbrinare l'apparecchio non usare oggetti taglienti ed appuntiti che potrebbero danneggiare irrimediabilmente il circuito refrigerante..

Sbrinare il vano frigorifero

Il frigorifero è dotato di sbrinamento automatico: l'acqua viene convogliata verso la parte posteriore da un apposito foro di scarico (vedi figura) dove il calore prodotto dal compressore la fa evaporare. L'unico intervento da fare periodicamente consiste nel pulire il foro di scarico affinché l'acqua possa defluire liberamente.



Sbrinare il vano congelatore

Se lo strato di brina è superiore ai 5 mm è necessario effettuare lo sbrinamento manuale:

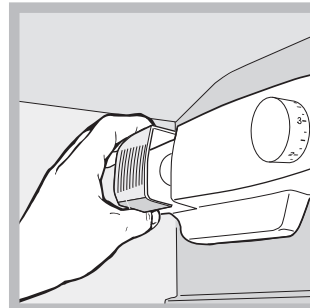
1. posizionare la manopola per LA REGOLAZIONE DELLA TEMPERATURA nella posizione ●.
2. Avvolgere surgelati e congelati in carta da giornale e metterli in un altro congelatore o in un luogo fresco.
3. Lasciare aperta la porta finché la brina non si sia sciolta completamente; facilitare l'operazione sistemando nel vano congelatore contenitori con acqua tiepida.
4. Pulire e asciugare con cura il vano congelatore prima di riaccendere l'apparecchio.
5. Prima di inserire i cibi nel vano congelatore attendere circa 2 ore per il ripristino delle condizioni ideali di conservazione.

Sostituire la lampadina

Per sostituire la lampadina di illuminazione del vano frigorifero, staccare la spina dalla presa di corrente. Seguire le istruzioni riportate qui sotto.

Accedere alla lampada togliendo la protezione come indicato in figura.

Sostituirla con una analoga di potenza a quella indicata sulla protezione (15 W o 25 W).



Precauzioni e consigli

! L'apparecchio è stato progettato e costruito in conformità alle norme internazionali di sicurezza. Queste avvertenze sono fornite per ragioni di sicurezza e devono essere lette attentamente.



Questa apparecchiatura è conforme alle seguenti Direttive Comunitarie:
- 73/23/CEE del 19/02/73 (Bassa Tensione) e successive modificazioni;
- 89/336/CEE del 03/05/89 (Compatibilità Elettromagnetica) e successive modificazioni.
- 2002/96/CE..

Sicurezza generale

- L'apparecchio è stato concepito per un uso di tipo non professionale all'interno dell'abitazione.
- L'apparecchio deve essere usato per conservare e congelare cibi, solo da persone adulte e secondo le istruzioni riportate in questo libretto.
- L'apparecchio non va installato all'aperto, nemmeno se lo spazio è riparato, perché è molto pericoloso lasciarlo esposto a pioggia e temporali.
- Non toccare l'apparecchio a piedi nudi o con le mani o i piedi bagnati o umidi.
- Non toccare le parti interne raffreddanti: c'è pericolo di ustionarsi o ferirsi.
- Non staccare la spina dalla presa della corrente tirando il cavo, bensì afferrando la spina.
- È necessario staccare la spina dalla presa prima di effettuare operazioni di pulizia e manutenzione. Non è sufficiente portare le manopole per la regolazione della temperatura sulla posizione ● (apparecchio spento) per eliminare ogni contatto elettrico.
- In caso di guasto, in nessun caso accedere ai meccanismi interni per tentare una riparazione.
- Ne pas utiliser, à l'intérieur des compartiments de conservation pour aliments congelés, d'ustensiles pointus et coupants ou d'appareils électriques d'un type autre que celui recommandé par le fabricant.
- Non mettere in bocca cubetti appena estratti dal congelatore.
- Questo apparecchio non è da intendersi adatto all'uso da parte di persone (incluso bambini) con ridotte capacità fisiche, sensoriali o mentali, o prive di esperienza e conoscenza, a meno che siano state supervisionate o istruite riguardo all'uso dell'apparecchio da una persona responsabile della loro sicurezza. I bambini dovrebbero essere supervisionati per assicurarsi che non giochino con l'apparecchio.
- Gli imballaggi non sono giocattoli per bambini.

Smaltimento

- Smaltimento del materiale di imballaggio: attenersi alle norme locali, così gli imballaggi potranno essere riutilizzati.
- La direttiva Europea 2012/19/EU sui rifiuti di apparecchiature elettriche ed elettroniche (RAEE), prevede che gli elettrodomestici non debbano essere smaltiti nel normale flusso dei rifiuti solidi urbani. Gli apparecchi dismessi devono essere raccolti separatamente per ottimizzare il tasso di recupero e riciclaggio dei materiali che li compongono ed impedire potenziali danni per la salute e l'ambiente. Il simbolo del cestino barrato è riportato su tutti i prodotti per ricordare gli obblighi di raccolta separata. Quando si acquista una nuova apparecchiatura equivalente si può consegnare il RAEE al negoziante, che è tenuto a ritirarlo gratuitamente; i RAEE di "piccolissime dimensioni" (nessun lato sopra i 25 cm) possono essere consegnati gratuitamente ai negozianti anche se non si acquista nulla (solo nei negozi con superficie di vendita superiore a 400 mq). Per ulteriori informazioni sulla corretta dismissione degli elettrodomestici i detentori potranno rivolgersi al servizio pubblico preposto o ai rivenditori.

Risparmiare e rispettare l'ambiente

- Installare l'apparecchio in un ambiente fresco e ben aerato, proteggerlo dall'esposizione diretta ai raggi solari, non disporlo vicino a fonti di calore.
- Per introdurre o estrarre gli alimenti, aprire le porte dell'apparecchio il più brevemente possibile. Ogni apertura delle porte causa un notevole dispendio di energia.
- Non riempire con troppi alimenti l'apparecchio: per una buona conservazione, il freddo deve poter circolare liberamente. Se si impedisce la circolazione, il compressore lavorerà continuamente.
- Non introdurre alimenti caldi: alzerebbero la temperatura interna costringendo il compressore a un grosso lavoro, con grande spreco di energia elettrica.
- Sbrinare l'apparecchio qualora si formasse del ghiaccio (vedi Manutenzione); uno spesso strato di ghiaccio rende più difficile la cessione di freddo agli alimenti e fa aumentare il consumo di energia.
- Mantenere efficienti e pulite le guarnizioni, in modo che aderiscano bene alle porte e non lascino uscire il freddo (vedi Manutenzione).

Può accadere che l'apparecchio non funzioni. Prima di telefonare all'Assistenza (vedi Assistenza), controllare che non si tratti di un problema facilmente risolvibile aiutandosi con il seguente elenco.

Anomalie:

La lampada di illuminazione interna non si accende.

Il frigorifero e il congelatore raffreddano poco.

Nel frigorifero gli alimenti si gelano.

Il motore funziona di continuo.

L'apparecchio emette molto rumore.

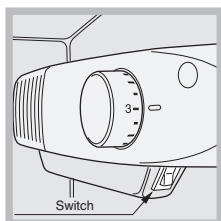
La temperatura di alcune parti esterne del frigorifero è elevata.

La parete in fondo alla cella frigo presenta brina o goccioline di acqua.

Sul fondo del frigo c'è dell'acqua.

Umidità o ghiaccio eccessivo nel retro del frigorifero.

Frigorifero caldo.



Possibili cause / Soluzione:

- La spina non è inserita nella presa della corrente o non abbastanza da fare contatto, oppure in casa non c'è corrente.
- Le porte non chiudono bene o le guarnizioni sono rovinate.
- Le porte vengono aperte molto spesso.
- La manopola per LA REGOLAZIONE DELLA TEMPERATURA non è in posizione corretta
- Il frigorifero o il congelatore sono stati riempiti eccessivamente.
- La temperatura ambiente di lavoro del prodotto è inferiore a 14°C.
- La manopola per LA REGOLAZIONE DELLA TEMPERATURA non è in posizione corretta.
- Gli alimenti sono a contatto con la parete posteriore.
- La porta non è ben chiusa o viene aperta di continuo.
- La temperatura dell'ambiente esterno è molto alta.
- Lo spessore della brina supera i 2-3 mm (vedi Manutenzione).
- L'apparecchio non è stato installato ben in piano (vedi Installazione).
- L'apparecchio è stato installato tra mobili o oggetti che vibrano ed emettono rumori.
- Il gas refrigerante interno produce un leggero rumore anche quando il compressore è fermo: non è un difetto, è normale.
- Le temperature elevate sono necessarie per evitare la formazioni di condensa in particolari zone del prodotto
- Si tratta del normale funzionamento del prodotto.
- Il foro di scarico dell'acqua è otturato (vedi Manutenzione).
- Se la porta del vano dispensa rimane aperta per periodi troppo lunghi, si possono formare umidità o ghiaccio in eccesso. Il problema si risolverà non appena la porta verrà chiusa e si permetterà al vano dispensa di sbrinarsi, eliminando l'umidità presente. Si tratta di una situazione normale per la funzione di raffreddamento del vano dispensa, soprattutto nel periodo estivo.
- Se la temperatura ambiente è uguale o inferiore a 16°C, ad esempio quando il frigorifero è installato in un garage o in un luogo aperto, è necessario che l'interruttore si trovi in posizione ON affinché il frigorifero funzioni correttamente

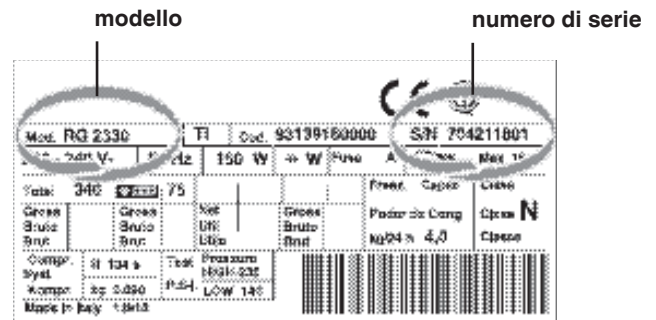
Prima di contattare l'Assistenza:

- Verificare se l'anomalia può essere risolta autonomamente (vedi Anomalie e Rimedi).
- In caso negativo, contattare il Numero Unico Nazionale 199.199.199.

Comunicare:

- il tipo di anomalia
- il modello della macchina (Mod.)
- il numero di serie (S/N)

Queste informazioni si trovano sulla targhetta caratteristiche posta nel vano frigorifero in basso a sinistra.



Assistenza Attiva 7 giorni su 7

Se nasce il bisogno di assistenza o manutenzione basta chiamare il Numero Unico Nazionale 199.199.199* per essere messi subito in contatto con il Centro Assistenza Tecnica più vicino al luogo da cui si chiama. È attivo 7 giorni su 7, sabato e domenica compresi, e non lascia mai inascoltata una richiesta.

* Al costo di 14,25 centesimi di Euro al minuto (iva inclusa) dal Lun. al Ven. dalle 08:00 alle 18:30, il Sab. dalle 08:00 alle 13:00 e di 5,58 centesimi di Euro al minuto (iva inclusa) dal Lun. al Ven. dalle 18:30 alle 08:00, il Sab. dalle 13:00 alle 08:00 e i giorni festivi, per chi chiama dal telefono fisso.

Per chi chiama da radiomobile le tariffe sono legate al piano tariffario dell'operatore telefonico utilizzato.

Le suddette tariffe potrebbero essere soggette a variazione da parte dell'operatore telefonico; per maggiori informazioni consultare il sito www.indesit.com.

Manual de instrucciones

COMBINADO REFRIGERADOR/CONGELADOR

GB

English, 1

DE

Deutsch, 11

F

Français, 21

I

Italiano, 31

E

Espanol, 41

P

Portuges, 51

HR

Hrvatski, 61

CZ

Česky, 71

HU

Magyar, 81

PL

Polski, 91

RO

Română, 101

SR

Srpski, 111

SK

Slovenčina, 121

CA 55 xx
CAA 55 xx
NCAA 55 xx

Sumario

Instalación, 42-43

Colocación y conexión
Reversibilidad de la apertura de las puertas

Descripción del aparato, 44

Vista en conjunto

Puesta en funcionamiento y uso, 45-46

Poner en marcha el aparato
Uso óptimo del frigorífico
Uso óptimo del congelador

Mantenimiento y cuidados, 47

Cortar la corriente eléctrica
Limpiar el aparato
Evitar la formación de moho y malos olores
Descongelar el aparato
Sustituir la bombilla

Precauciones y consejos, 48

Seguridad general
Eliminación
Ahorrar y respetar el medio ambiente

Anomalías y soluciones, 49

Asistencia, 50

E

Instalación

E

! Es importante conservar este manual para poder consultarlo cuando sea necesario. En caso de venta, cesión o traslado, verifique que permanezca junto al aparato para informar al nuevo propietario sobre su funcionamiento y sobre las precauciones durante su uso

! Lea atentamente las instrucciones: contienen información importante sobre la instalación, sobre el uso y sobre la seguridad.

Colocación y conexión

Colocación

1. Coloque el aparato en un ambiente bien aireado y seco.
2. No obstruya las rejillas posteriores de ventilación: el compresor y el condensador emiten calor y requieren una buena aireación para funcionar bien y limitar el consumo eléctrico.
3. Deje una distancia mínima de 10 cm. entre la parte superior del aparato y los muebles situados encima y de 5 cm., como mínimo, entre los costados y los muebles o paredes laterales.
4. Mantenga el aparato lejos de fuentes de calor (por ej. la luz solar directa o una cocina eléctrica).
5. Para mantener una distancia óptima entre el producto y la pared posterior, coloque los distanciadores que se encuentran en la caja de instalación siguiendo las instrucciones presentes en la hoja correspondiente.

Nivelación

1. Instale el aparato sobre un piso plano y rígido.
2. Si el piso no fuera perfectamente horizontal, compense los desniveles atornillando o desatornillando el único pie de regulación delantero.

Conexión eléctrica

Después de su transporte, coloque el aparato verticalmente y espere 3 horas como mínimo antes de conectarlo a la red eléctrica. Antes de enchufarlo a la toma de corriente, controle que:

- la toma posea la conexión a tierra y que sea conforme a la ley;
- el enchufe sea capaz de soportar la carga máxima de potencia de la máquina indicada en la placa de características ubicada en la parte inferior izquierda del frigorífico (ej. 150 W);
- la tensión de alimentación esté comprendida entre los valores indicados en la placa de características ubicada abajo a la izquierda (ej. 220-240V);
- la toma sea compatible con el enchufe del aparato. Si no fuera así, solicite la sustitución del enchufe a un técnico autorizado (ver Asistencia); no utilice prolongaciones ni conexiones múltiples.

! Una vez instalado el aparato, el cable eléctrico y la toma de corriente deben ser fácilmente accesibles.

! El cable no debe sufrir pliegues ni compresiones.

! El cable debe ser revisado periódicamente y sustituido sólo por técnicos autorizados (ver Asistencia).

! La empresa declina toda responsabilidad en los casos en que no hayan sido respetadas estas normas.

Reversibilidad de la apertura de las puertas

Atención: antes de probar a extraer la puerta, apague el alimentador y desconecte el aparato.

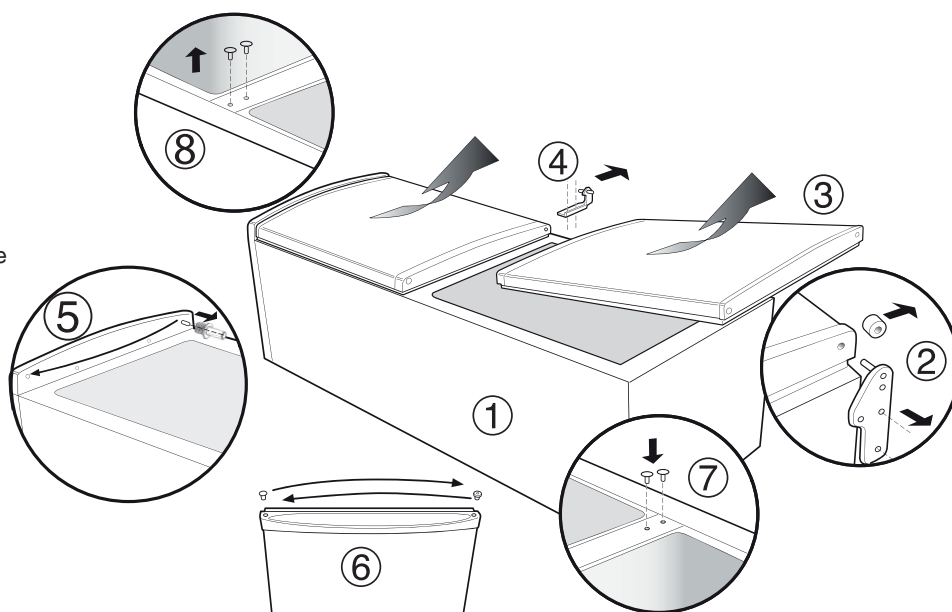
Cuando realice esta operación, es aconsejable quitar cualquier elemento/accesorio suelto del interior del aparato e introducir los alimentos en recipientes individuales.

Podría necesitar ayuda para apoyar con cuidado la parte posterior del aparato sobre materiales protectores adecuados (por ejemplo: el embalaje original).

Eliminación de las puertas

1. Apoye el aparato en la parte posterior.
2. Destornille, extraiga y conserve la bisagra inferior.
3. Abra ligeramente la puerta inferior y hágala deslizar hacia abajo; extráigala y apóyela cuidadosamente de costado.
4. Quite la bisagra central y la arandela distanciadora (si está colocada).

- Abra ligeramente la puerta superior y hágala deslizar hacia abajo; extráigala y apóyela cuidadosamente de costado.
5. El perno se extraerá y fijará en el lado opuesto
 6. Utilice un instrumento delgado y achafanado para quitar



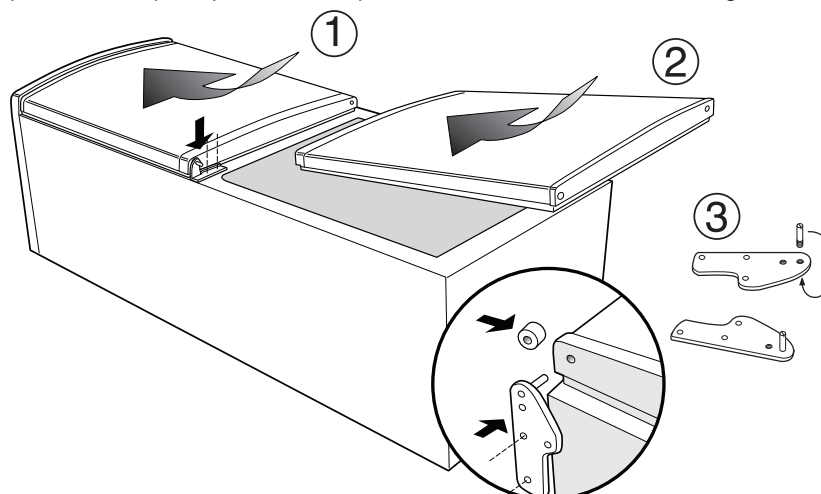
de las puertas los casquillos de las bisagras superiores e inferiores y los tapones, cuidando que la manija no se raye. Vuelva a colocar los tapones y los casquillos del lado opuesto.

7. Introduzca los tapones suministrados, en los dos orificios de ensamble de las bisagras centrales, del lado derecho.
8. Antes de pasar la bisagra del lado derecho al izquierdo, desensamblar el tornillo del panel del lado izquierdo; después de cambiar de lado la bisagra, ensamblar el tornillo en el panel del lado derecho.

Colocación de las puertas

1. Haga deslizar la puerta superior hacia arriba e introduzca el perno superior de ensamble de la bisagra en el casquillo de la puerta. Coloque la bisagra central en la parte opuesta.
2. Haga deslizar con cuidado hacia arriba la puerta inferior para que entre en el perno central de ensamble de la bisagra.
3. Destornille el perno inferior de ensamble de la

- bisagra y vuelva a colocarlo del lado opuesto.
4. Fije la bisagra inferior controlando que la puerta esté alineada con el mueble.
 5. Coloque cuidadosamente el aparato en posición vertical en el punto deseado y controle que esté bien plano. Abra y cierre las puertas para controlar que la junta garantice una adecuada hermeticidad cuando las puertas están cerradas.



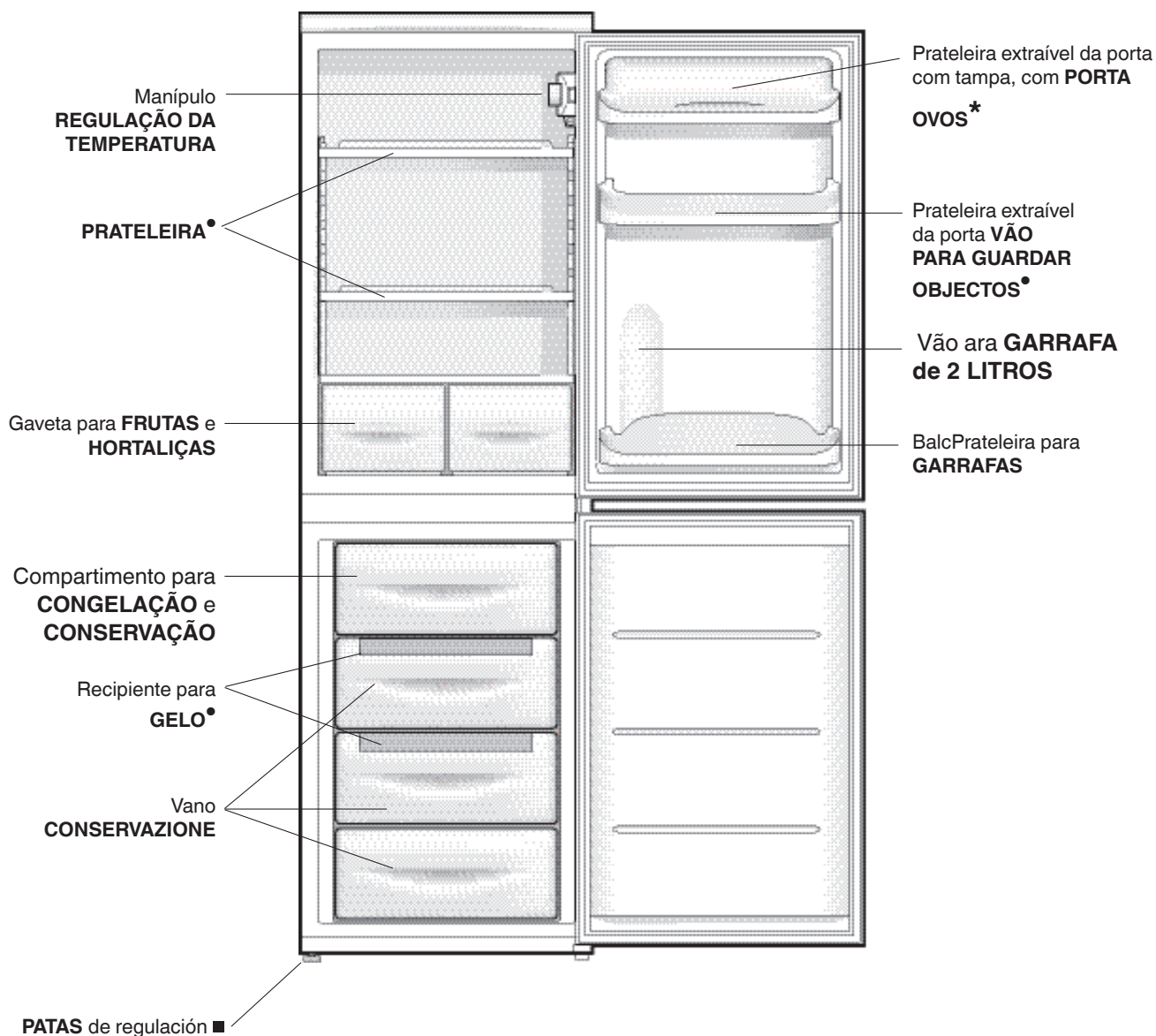
NOTA: vuelva a colocar en el aparato los elementos/accesorios sueltos y espere 15 minutos, como mínimo, antes de volver a encenderlo.

Descripción del aparato

E

Vista de conjunto

Las instrucciones sobre el uso son válidas para distintos modelos y por lo tanto es posible que la figura presente detalles diferentes a los del aparato que Ud. ha adquirido. La descripción de las piezas más complejas se encuentra en las páginas sucesivas.



■ Hay so un pie de regulación.

• La cantidad y/o su ubicación pueden variar.

* Se encuentra solo en algunos modelos.

Puesta en funcionamiento y uso

Poner en marcha el aparato

! Antes de poner en funcionamiento el aparato, siga las instrucciones sobre la instalación (ver Instalación).

! Antes de conectar el aparato limpie bien los compartimentos y los accesorios con agua tibia y bicarbonato.

1. Enchufe el aparato en la toma de corriente y verifique que se encienda la lámpara de iluminación interna.
2. Gire el mando de REGULACIÓN DE LA TEMPERATURA hasta un valor medio. Después de algunas horas será posible introducir alimentos en el frigorífico.

Uso óptimo del frigorífico

La temperatura interna del compartimento frigorífico se regula automáticamente en base a la posición del mando del termostato.

1 = menos frío 5 = más frío

Se aconseja, en todo caso, poner una posición media. Para aumentar el espacio disponible y mejorar el aspecto estético, este aparato posee la "parte refrigerante" ubicada en el interior de la pared posterior del compartimento frigorífico. Durante el funcionamiento, dicha pared se presentará cubierta de escarcha o de gotitas de agua según si el compresor está en funcionamiento o en pausa. ¡No se preocupe por ello! El frigorífico está trabajando de forma normal.

Si se coloca el mando de REGULACIÓN DE LA TEMPERATURA en valores altos, con grandes cantidades de alimentos y con una temperatura ambiente elevada, el aparato puede funcionar continuamente, produciendo una excesiva formación de escarcha y aumentando el consumo de electricidad. evítelo desplazando el mando hacia valores más bajos (se efectuará una descongelación automática).

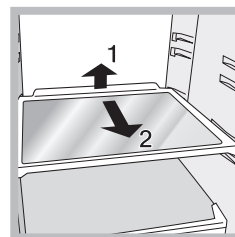
En los aparatos estáticos el aire circula de modo natural: el más frío tiende a descender porque es más pesado. He aquí como colocar los alimentos:

Alimento	Ubicación en el refrigerador
Carne y pescado limpio	Sobre los recipientes para fruta y verdura
Quesos frescos	Sobre los recipientes para fruta y verdura
Alimentos cocidos	En cualquier estante
Salchichón, pan, chocolate	En cualquier estante
Fruta y verdura	En los recipientes para fruta y verdura
Huevos	En el balconcito correspondiente
Mantequilla y margarina	En el balconcito correspondiente
Botellas, bebidas, leche	En el balconcito correspondiente

- Introduzca sólo alimentos fríos o apenas tibios, nunca calientes (ver Precauciones y consejos).
- Recuerde que los alimentos cocidos no se mantienen durante más tiempo que los crudos.
- No introduzca recipientes destapados con líquidos: produciría un aumento de humedad con la consiguiente formación de condensación.

BANDEJAS: enteras o tipo rejilla.

Son extraíbles y su altura es regulable gracias a las guías especiales (ver la figura), se utilizan para introducir recipientes o alimentos de gran tamaño. Para regular la altura no es necesario extraer las bandejas completamente.



Indicador de **TEMPERATURA***: para individualizar la zona más fría del frigorífico.

1. Controle que en el indicador se destaque en forma evidente OK (ver la figura).



2. Si no aparece el mensaje OK significa que la temperatura es demasiado elevada: regule el mando de FUNCIONAMIENTO DEL FRIGORÍFICO hasta una posición más alta (más frío) y espere aproximadamente 10 h hasta que la temperatura se haya estabilizado.
3. Controle nuevamente el indicador: si es necesario, realice una nueva regulación. Si se han introducido grandes cantidades de alimentos o si se ha abierto frecuentemente la puerta del frigorífico, es normal que el indicador no marque OK. Espere 10 h como mínimo antes de llevar el mando de FUNCIONAMIENTO DEL FRIGORÍFICO hasta una posición más alta.

Uso óptimo del congelador

- No vuelva a congelar alimentos que están por descongelar o descongelados; dichos alimentos deben ser previamente cocinados para ser consumidos (dentro de las 24 horas).
- Los alimentos frescos por congelar no se deben colocar en contacto con los ya congelados; se deben colocar en el compartimiento superior CONGELAMIENTO y CONSERVACIÓN donde la temperatura desciende por debajo de los -18°C y garantiza una mayor velocidad de congelación.
- No coloque en el congelador botellas de vidrio que contengan líquidos, tapadas o cerradas herméticamente porque podrían romperse.
- La cantidad máxima diaria de alimentos a congelar está indicada en la placa de características ubicada en el compartimento frigorífico abajo a la izquierda (por ejemplo: 4 Kg/24h).
- Para obtener un mayor espacio en el compartimento congelador, podrá quitar los recipientes (excepto el inferior y el recipiente COOL CARE ZONE de temperatura variable) y colocar los alimentos directamente en las placas evaporadoras.

! Evite abrir la puerta durante la congelación.

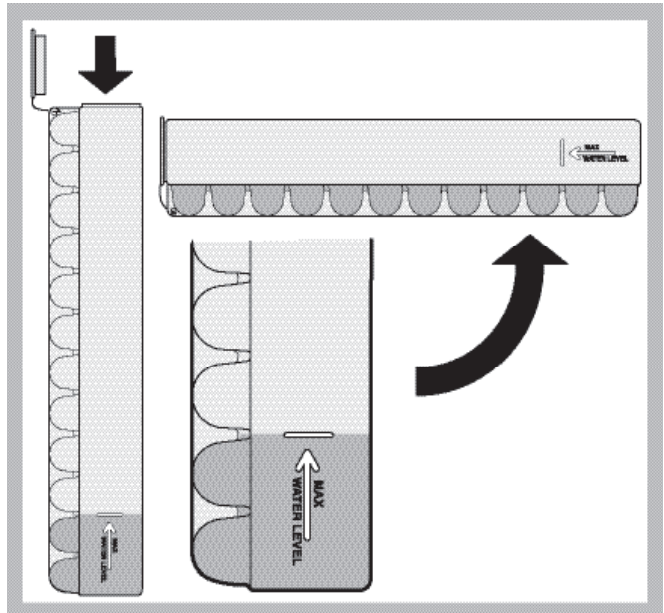
! Cuando se produzca una interrupción de corriente o una avería, no abra la puerta del congelador: de este modo, los alimentos congelados se conservarán sin alteración durante aproximadamente 9-14 horas.

! Si durante un largo período de tiempo la temperatura ambiente permanece por debajo de los 14°C , no se alcanzan las temperaturas necesarias para una larga conservación en el compartimento congelador y, por lo tanto, el período de conservación resultará menor.

Cubeta de hielo Ice³.

Su colocación en la parte superior de los cajones del freezer garantiza una mayor limpieza (el hielo no está en contacto con los alimentos) y ergonomía (no gotea cuando se carga).

1. Extraiga la cubeta empujándola hacia arriba. Controle que la cubeta esté completamente vacía y llénela de agua utilizando el orificio correspondiente.
2. Tenga cuidado de no superar el nivel indicado (MAX WATER LEVEL). Demasiada agua obstaculiza la salida de los cubitos de hielo (si esto sucede, espere hasta que el hielo se derrita y vacíe la cubeta).
3. Gire la cubeta 90° : el agua llena las formas por el principio de vasos comunicantes (ver la figura).
4. Cierre el orificio con la tapa que se suministra con el aparato y vuelva a colocar la cubeta.
5. Después de que se haya formado el hielo (tiempo mínimo: 8 horas aproximadamente) golpee la cubeta sobre una superficie dura y moje su parte externa para despegar los cubitos; luego hágalos salir por el orificio.



Cortar la corriente eléctrica

Durante los trabajos de limpieza y mantenimiento, es necesario aislar el aparato de la red de alimentación eléctrica, desenchufándolo:

No es suficiente llevar el mando para la regulación de la temperatura hasta la posición ● (aparato apagado) para eliminar todo contacto eléctrico.

Limpiar el aparato

- Las partes externas, las partes internas y las juntas de goma se pueden limpiar con una esponja empapada en agua tibia y bicarbonato sódico o jabón neutro. No utilice disolventes, productos abrasivos, lejía o amoníaco.
- Los accesorios extraíbles se pueden colocar en remojo en agua caliente y jabón o detergente para platos. Enjuáguelos y séquelos con cuidado.
- La parte posterior del aparato tiende a cubrirse de polvo que se puede eliminar, después de haber apagado y desenchufado el aparato, utilizando con delicadeza la boca de la aspiradora y trabajando con una potencia media.

Evitar la formación de moho y malos olores

- El aparato está fabricado con materiales higiénicos que no transmiten olores. Para mantener esta característica es necesario que los alimentos estén siempre protegidos y bien cerrados. Esto evitará también la formación de manchas.
- Si se debe apagar el aparato por un largo período, limpie su interior y deje las puertas abiertas.

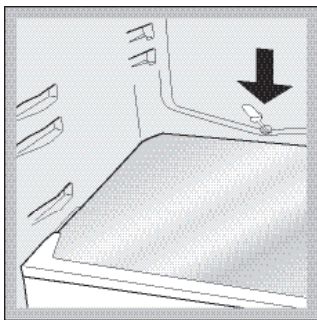
Descongelar el aparato

! Respete las instrucciones que se dan a continuación.

Para descongelar el aparato no utilice objetos cortantes o con punta porque podrían dañar irremediabilmente el circuito refrigerante.

Descongelar el compartimento frigorífico

El frigorífico posee descongelación automática: el agua se envía hacia la parte posterior por un orificio de descarga (ver la figura) donde el calor producido por el compresor la hace evaporar. La única intervención que se debe realizar periódicamente consiste en limpiar el orificio de descarga para que el agua pueda fluir libremente.



Descongelar el compartimento congelador

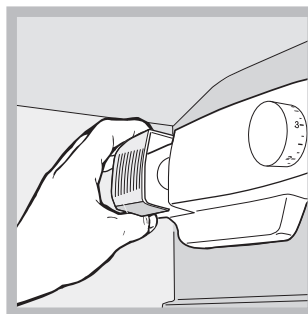
Si la capa de escarcha es superior a los 5 mm es necesario realizar una descongelación manual:

1. Coloque el mando de REGULACIÓN DE LA TEMPERATURA en la posición ●.
2. Envuelva los alimentos congelados en papel de periódico y colóquelos en otro congelador o en un lugar fresco.
3. Deje la puerta abierta hasta que la escarcha se haya derretido completamente; facilite la operación colocando en el compartimento congelador recipientes con agua tibia.
4. Limpie y seque con cuidado el compartimento congelador antes de volver a encender el aparato.
5. Antes de introducir los alimentos en el compartimento congelador, espere aproximadamente 2 horas para restablecer las condiciones ideales de conservación.

Sustituir la bombilla

Para sustituir la bombilla de iluminación del compartimento frigorífico, desenchufe el aparato. Siga las instrucciones que se dan a continuación.

Acceda a la lámpara quitando la protección como se indica en la figura. Sustitúyala con otra bombilla con una potencia igual a la indicada en la protección (15 W o 25 W).



Precauciones y consejos

E

! El aparato ha sido proyectado y fabricado en conformidad con las normas internacionales sobre seguridad. Estas advertencias se suministran por razones de seguridad y deben ser leídas atentamente.



Este equipamiento es conforme con las siguientes Directivas Comunitarias:
- 73/23/CEE del 19/02/73 (Baja Tensión) y sucesivas modificaciones;
- 89/336/CEE del 03/05/89 (Compatibilidad Electromagnética) y sucesivas modificaciones;
- 2002/96/CE.

Seguridad general

- El aparato ha sido pensado para un uso de tipo no profesional en el interior de una vivienda.
- El aparato debe ser utilizado para conservar y congelar alimentos sólo por personas adultas y según las indicaciones contenidas en este manual.
- El aparato no se debe instalar al aire libre ni siquiera si el lugar está protegido debido a que es muy peligroso dejarlo expuesto a la lluvia y tormentas.
- No toque el aparato estando descalzo o con las manos o pies mojados o húmedos.
- No toque las piezas refrigerantes internas: podría quemarse o herirse.
- No desenchufe el aparato tirando del cable sino sujetando el enchufe.
- Es necesario desenchufar el aparato antes de realizar operaciones de limpieza y de mantenimiento. No es suficiente llevar el mando para LA REGULACIÓN DE LA TEMPERATURA hasta la posición ● (aparato apagado) para eliminar todo contacto eléctrico.
- En caso de avería, nunca acceda a los mecanismos internos para intentar una reparación.
- En el interior de los compartimentos donde se conservan alimentos congelados, no utilice utensilios cortantes o con punta ni aparatos eléctricos, que no sean los recomendados por el fabricante.
- No introduzca en su boca cubitos apenas extraídos del congelador.
- Este aparato no puede ser utilizado por personas (incluidos los niños) con capacidades físicas, sensoriales o mentales disminuidas o sin experiencia, salvo que estén supervisadas o instruidas sobre el uso del aparato por una persona responsable de su seguridad. Los niños deberían ser controlados para garantizar que no jueguen con el aparato.
- Los embalajes no son juguetes para los niños.

Eliminación

- Eliminación del material de embalaje: respete las normas locales, de esta manera los embalajes podrán ser reutilizados.
- En base a la Norma europea 2012/19/EU de Residuos de aparatos Eléctricos y Electrónicos (RAEE), los electrodomésticos viejos no pueden ser arrojados en los contenedores municipales habituales; tienen que ser recogidos selectivamente para optimizar la recuperación y reciclado de los componentes y materiales que los constituyen, y reducir el impacto en la salud humana y el medioambiente. El símbolo del cubo de basura tachado se marca sobre todos los productos para recordar al consumidor la obligación de separarlos para la recogida selectiva. El consumidor debe contactar con la autoridad local o con el vendedor para informarse en relación a la correcta eliminación de su electrodoméstico viejo.

Ahorrar y respetar el medio ambiente

- Instale el aparato en un ambiente fresco y bien aireado, protéjalo de la exposición directa a los rayos solares y no lo coloque cerca de fuentes de calor.
- Para introducir o extraer los alimentos, abra las puertas del aparato el menor tiempo posible. Cada apertura de las puertas produce un notable gasto de energía.
- No llene con demasiados alimentos el aparato: para una buena conservación, el frío debe poder circular libremente. Si se impide la circulación, el compresor trabajará continuamente.
- No introduzca alimentos calientes: elevarían la temperatura interior obligando al compresor a un mayor trabajo con un gran gasto de energía eléctrica.
- Descongele el aparato si se formara hielo (ver Mantenimiento); una espesa capa de hielo vuelve más difícil la cesión de frío a los alimentos y hace que aumente el consumo de energía.
- Mantenga eficientes y limpias las juntas para que se adhieran bien a las puertas y no dejen salir el frío (ver Mantenimiento).

Puede suceder que el aparato no funcione. Antes de llamar al Servicio de Asistencia Técnica (ver Asistencia), controle que no se trate de un problema fácilmente solucionable con la ayuda de la siguiente lista.

E

Anomalías:

La lámpara de iluminación interna no se enciende.

El frigorífico y el congelador enfrían poco.

En el frigorífico los alimentos se congelan.

El motor funciona continuamente.

El aparato hace mucho ruido.

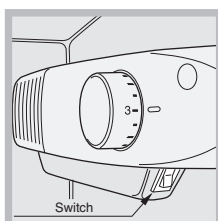
La temperatura de algunas partes externas del frigorífico es elevada

En la pared del fondo de la cámara de refrigeración se ha formado escarcha o gotitas de agua

En el fondo del frigorífico hay agua.

Humedad y hielo excesivo en la parte posterior del frigorífico.

Frigorífico caliente.



Posibles causas / Solución:

- El enchufe no está introducido en la toma de corriente o no está lo suficiente como para hacer contacto o bien en la casa no hay corriente.
- Las puertas no cierran bien o las juntas están dañadas.
- Las puertas se abren demasiado frecuentemente.
- El mando de REGULACIÓN DE LA TEMPERATURA no está en la posición correcta.
- El frigorífico o el congelador se han llenado excesivamente.
- La temperatura ambiente de trabajo del producto es menor que 14°C.
- El mando de REGULACIÓN DE LA TEMPERATURA no está en la posición correcta.
- Los alimentos están en contacto con la pared posterior.
- La puerta no está bien cerrada o se abre continuamente.
- La temperatura del ambiente externo es muy alta.
- El espesor de la escarcha supera los 2-3 mm (ver Mantenimiento).
- El aparato no fue instalado en un lugar plano (ver Instalación).
- El aparato ha sido instalado entre muebles u objetos que vibran y producen ruidos.
- El gas refrigerante interior produce un ligero ruido aún cuando el compresor está detenido: no es un defecto, es normal.
- Las temperaturas elevadas son necesarias para evitar la formación de condensación en zonas particulares del producto.
- Il s'agit du fonctionnement normal du produit.
- El orificio de descarga del agua está obstruido (ver Mantenimiento).
- Si la puerta del compartimento despensa permanece abierta durante largos periodos, se puede formar humedad o hielo en exceso. El problema se resuelve cuando se cierra la puerta y el compartimento despensa se descongela, eliminando la humedad presente. Se trata de una situación normal para la función de enfriamiento del compartimento despensa, sobre todo durante el verano.
- Si la temperatura ambiente es igual o inferior a 16°C, por ejemplo, cuando el frigorífico está instalado en un garaje o al aire libre, para que funcione correctamente, es necesario que el interruptor se encuentre en posición ON .

E

Antes de llamar al Servicio de Asistencia Técnica:

- Verifique si la anomalía puede ser resuelta por ud. mismo (ver Anomalías y Soluciones).
- Se, apesar de todos os controlos, o aparelho não funcionar e a anomalia que notou continuar a verificar-se, chamar o Centro de Assistência Técnica mais próximo.

Comunique:

- el tipo de anomalía
- el modelo de la máquina (Mod.)
- el número de serie (S/N)

Esta información se encuentra en la placa de características ubicada en el compartimento frigorífico abajo a la izquierda.

modelo				número de serie			
Mod. RG 2330	TI	Cod. 99139190000	S/N 704211901				
230 V~ 50 Hz	150 W	W Fu++	Max. 12				
Total 340	75			Freez. Capac. U++			
Gross Bruto Brut	Gross Bruto Brut	Net Util U++	Gross Bruto Brut	Poder de Cong. kg/24 h. 4,0	Clas++ N		
Compr. Syst. R 134 a	Compr. P.S.L. 0,090	T+st Pressure HIGH-235	LOW 140	Made in Italy 13213			

No recurrir nunca a técnicos no autorizados y rechazar siempre la instalación de repuestos no originales.

La siguiente información es válida solo para España
Para otros países de habla hispana consulte a su vendedor

Ampliación de garantía

Llame al **902.363.539** y le informaremos sobre el fantástico plan de ampliación de garantía hasta 5 años.
Consiga una cobertura total adicional de

- Piezas y componentes
- Mano de obra de los técnicos
- Desplazamiento a su domicilio de los técnicos

Y NO PAGUE AVERIAS NUNCA MAS

Servicio de asistencia técnica (SAT)

Llame al **902.133.133** y nuestros técnicos intervendrán con rapidez y eficacia, devolviendo el electrodoméstico a sus condiciones óptimas de funcionamiento.

En el SAT encontrará recambios, accesorios y productos específicos para la limpieza y mantenimiento de su electrodoméstico a precios competitivos.

ESTAMOS A SU SERVICIO

Instruções para a utilização

COMBINADO FRIGORÍFICO/CONGELADOR

GB

English, 1

DE

Deutsch, 11

F

Français, 21

I

Italiano, 31

E

Espanol, 41

P

Portuges, 51

HR

Hrvatski, 61

CZ

Česky, 71

HU

Magyar, 81

PL

Polski, 91

RO

Română, 101

SR

Srpski, 111

SK

Slovenčina, 121

CA 55 xx

CAA 55 xx

NCAA 55 xx

Índice

Instalação, 52-53

Posicionamento e ligação

Reversibilidade da abertura das portas

Descrição do aparelho, 54

Visão geral

Início e utilização, 55-56

Iniciar o aparelho

Utilize melhor o frigorífico

Utilize melhor o congelador

Manutenção e cuidados, 57

Interromper a corrente eléctrica

Limpar o aparelho

Evite bolor e maus cheiros

Degelar o aparelho

Substituição da lâmpada

Precauções e conselhos, 58

Segurança geral

Eliminação

Economizar e respeitar o meio ambiente

Anomalias e soluções, 59

Assistência, 60

P

Instalação

P

! É importante guardar este folheto para poder consultá-lo a qualquer momento. No caso de venda, cessão ou mudança, assegure-se que o mesmo permaneça junto com o aparelho para informar ao novo proprietário sobre o funcionamento e as suas respectivas advertências.

! Leia com atenção as instruções: há informações importantes sobre a instalação, a utilização e a segurança.

Posicionamento e ligação

Posicionamento

1. Posicione o aparelho num ambiente bem ventilado e não húmido.
2. Não tape as grades traseiras de ventilação: o compressor e o condensador emitem calor e necessitam de uma boa ventilação para funcionarem bem e os consumos de electricidade diminuirão.
3. Deixe uma distância de pelo menos 10 cm. entre a parte superior do aparelho e os móveis que houver acima, e de pelo menos 5 cm. entre as laterais e os móveis/ paredes aos lados.
4. Deixe o aparelho longe de fontes de calor (a luz do sol directa, um fogão eléctrico).
5. Para manter uma distância ideal entre o produto e a parede posterior, montar os distanciadores presentes no kit de instalação seguindo as instruções presentes na folha dedicada.

Nivelamento

1. Instale o aparelho sobre um piso plano e rígido.
2. Se o pavimento não for perfeitamente horizontal, para compensar, desatarraxe ou atarraxe o único pé de regulação anterior.

Ligação eléctrica

Depois do transporte, posicione o aparelho na vertical e aguarde pelo menos 3 horas antes de ligar o sistema eléctrico. Antes de colocar a ficha na tomada eléctrica, certifique-se que:

- a tomada tenha uma ligação à terra e seja em conformidade com a legislação;
- a tomada tenha a capacidade de suportar o carga máxima. de potência da máquina, indicada na placa de identificação situada no compartimento frigorífico em baixo à esquerda (p. ex.: 150 W);
- a tensão de alimentação seja entre os valores indicados na placa de identificação, situada embaixo à esquerda (p. ex.: 220-240 V);
- a tomada seja compatível com a ficha do aparelho. Em caso contrário peça a substituição da ficha a um técnico autorizado (veja a Assistência); não utilize extensões nem tomadas múltiplas.

! Com o aparelho instalado, deve ser fácil o acesso ao cabo eléctrico e à tomada eléctrica.

! O cabo não deve ser dobrado nem sofrer pressões.

! O cabo deve ser verificado periodicamente e substituído somente por técnicos autorizados (veja a Assistência).

! A empresa exime-se de qualquer responsabilidade se estas regras não forem obedecidas.

Reversibilidade da abertura das portas

Atenção: antes de procurar remover a porta, desligue o aparelho da rede eléctrica e tire a ficha da tomada.

Quando for efectuar esta operação, é aconselhável remover qualquer elemento/acessório solto no interior do aparelho e inserir os alimentos em recipientes isolados.

Poderia ser necessária assistência para poder apoiar com atenção a parte posterior do aparelho sobre materiais de protecção idóneos (por exemplo, a embalagem original).

Remoção das portas

1. Apoie o aparelho sobre o lado posterior.

2. Desparafuse, extraia e conserve a dobradiça inferior.

3. Abra levemente a porta inferior e faça-a deslizar para baixo, removendo-a e apoiando-a com atenção sobre um lado.

4. Remova a dobradiça central e o separador, se presente.

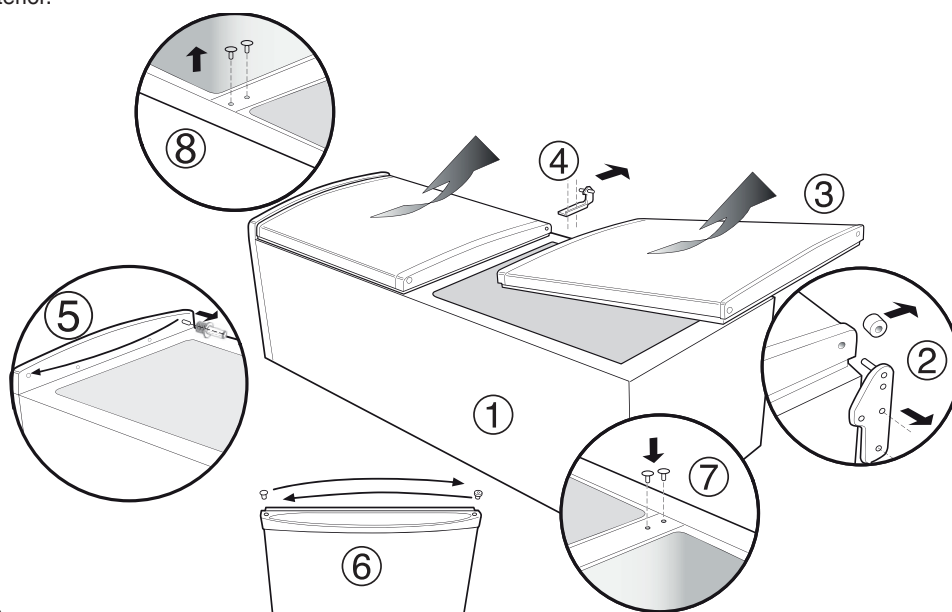
Abra levemente a porta superior e faça-a deslizar para baixo, removendo-a e apoiando-a com atenção sobre um lado.

5. O pino será removido e fixado no lado oposto.

6. Use um instrumento fino e chanfrado para remover da porta as buchas das dobradiças superiores e inferiores e as tampas, prestando atenção para não riscar o manipulo. Posicione novamente as tampas e as buchas no lado oposto.

7. Coloque as tampas fornecidas no interior dos dois furos de articulação centrais do lado direito.

8. Antes de mudar a dobradiça do lado direito para o lado esquerdo, o parafuso no painel do lado esquerdo deve ser desapertado e, depois de mudar a dobradiça de posição, deve ser apertado no painel do lado direito.



Reposicionamento das portas

1. Faça deslizar a porta superior para o alto e coloque o eixo de articulação superior no interior da bucha da porta.

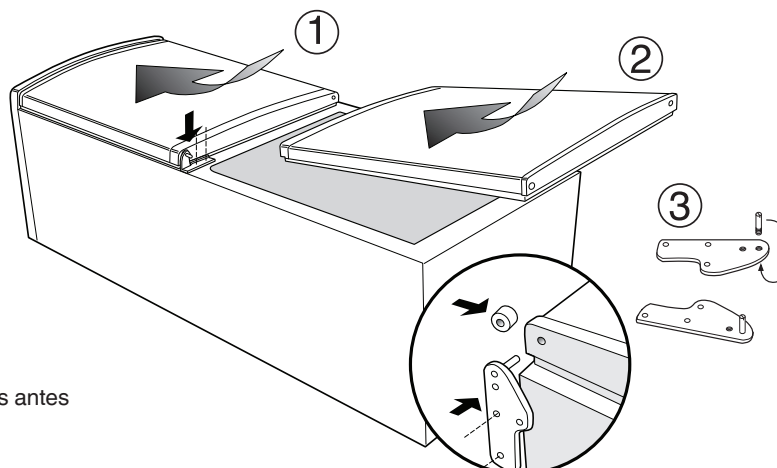
Posicione novamente a dobradiça central no lado oposto.

2. Faça deslizar a porta com atenção para cima dentro do eixo de articulação central.

3. Desatarraxe o eixo de articulação inferior e posicione-o no lado oposto.

4. Fixe o eixo de articulação inferior certificando-se de que a porta esteja alinhada ao móvel.

5. Coloque com atenção o aparelho em posição vertical no ponto pedido e certifique-se de que esteja bem nivelado. Abra e feche a porta para controlar que a guarnição garanta uma adequada retenção sem fendas quando as portas estiverem fechadas.



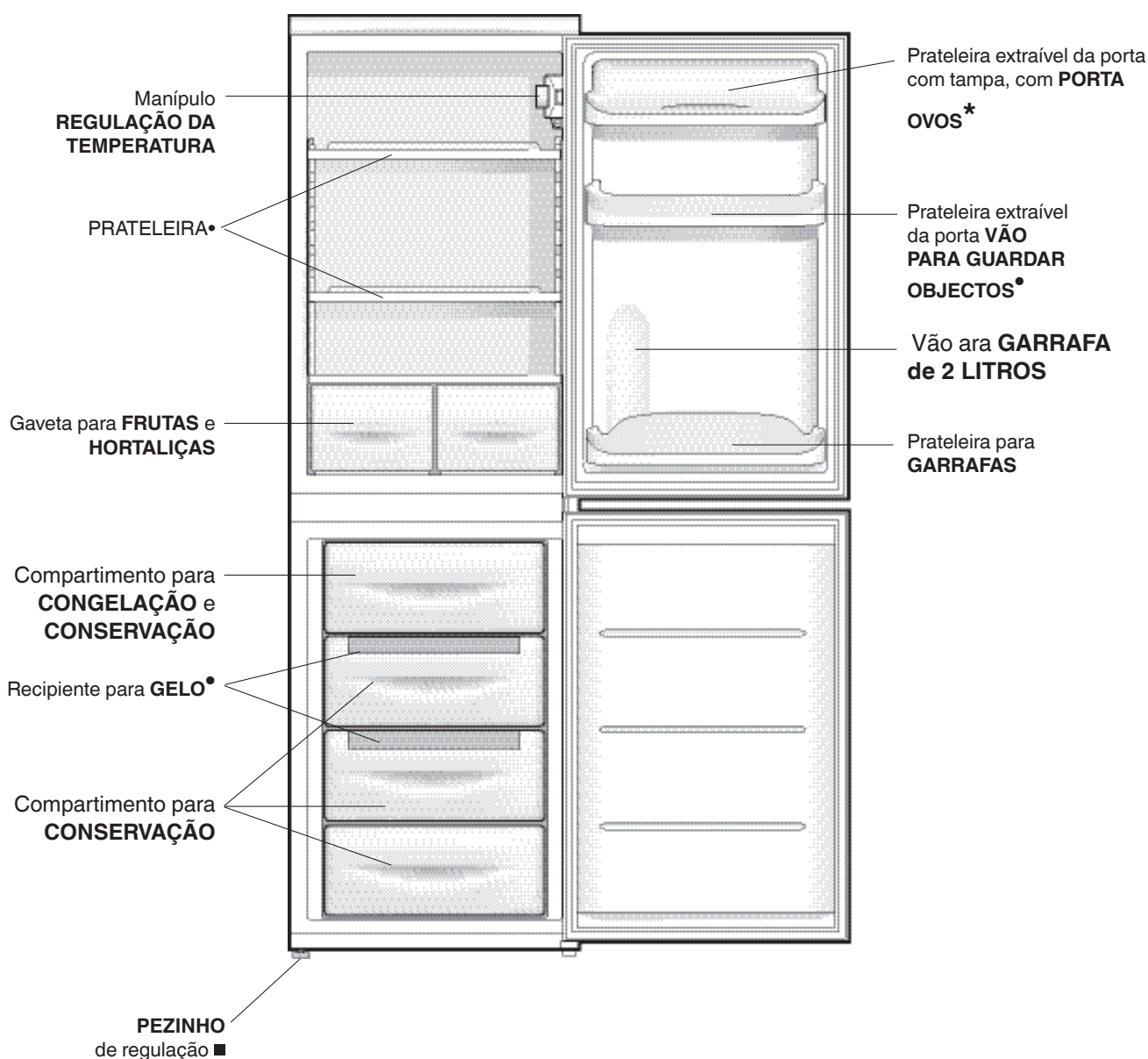
OBSERVAÇÃO: coloque novamente os artigos/acessórios soltos no aparelho e aguarde 15 minutos antes de ligá-lo novamente.

Descrição do aparelho

P

Visão geral

Estas instruções sobre a utilização são válidas para vários modelos, portanto é possível que na figura haja pormenores diferentes do aparelho que adquiriu. Há uma descrição dos assuntos mais complexos nas páginas seguintes.



■ Há apenas um pé de regulação.

• Variáveis em número e/ou na posição.

* Presente somente em alguns modelos.

Iniciar o aparelho

! Antes de iniciar o aparelho, obedeça as instruções para a instalação (veja a Instalação).

! Antes de ligar o aparelho limpe bem os compartimentos e os acessórios com água morna e bicarbonato.

1. Ligue a ficha numa tomada eléctrica e assegure-se que a lâmpada de iluminação interna.
2. Rode o selector para A REGULAÇÃO DA TEMPERATURA num valor médio. Depois de algumas horas será possível guardar alimentos no frigorífico.

Utilize melhor o frigorífico

A temperatura no interior do compartimento frigorífico regula-se automaticamente em função da posição do botão para a regulação da temperatura.

1 = menos frio 5 = mais frio.

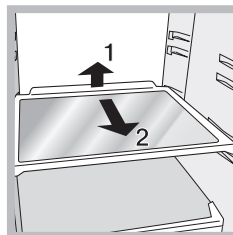
É aconselhado em todo o caso uma posição média. Para aumentar o espaço a disposição e melhorar a aparência do aparelho, o mesmo tem a “parte refrigeradora” situada no interior do painel traseiro do compartimento frigorífico. Este painel, durante o funcionamento, estará coberto de gelo, ou de gotinhas de água, dependendo se o compressor estiver a funcionar ou em pausa. Não se preocupe com isto! O frigorífico está a funcionar de modo normal.

Se configurar-se o selector de FUNCIONAMENTO DO FRIGORÍFICO em valores altos, com grandes quantidades de alimentos e com uma temperatura ambiente alta, o aparelho poderá funcionar continuamente, e favorecer uma formação excessiva de gelo e consumos de electricidade excessivos: para evitar isto, coloque o selector em valores mais baixos (o gelo será derretido automaticamente).

Nos aparelhos estáticos o ar circula de maneira natural: o mais frio tende a subir por ser mais pesado. Veja como guardar os alimentos:

Alimento	Disposição no frigorífico
Carnes e peixe limpo	Sobre as gavetas para frutas e verduras
Queijo fresco	Sobre as gavetas para frutas e verduras
Alimentos cozidos	Em quaisquer prateleiras
Chouriço, pão de forma, chocolate	Em quaisquer prateleiras
Frutas e verduras	Nas gavetas para frutas e hortaliças
Ovos	Na respectiva prateleira da porta
Manteiga e margarina	Na respectiva prateleira da porta
Garrafas, bebidas, leite	Na respectiva prateleira da porta

- Coloque somente alimentos frios ou levemente mornos, mas não quentes (veja Precauções e conselhos).
- Lembre-se que os alimentos cozidos não se mantêm mais tempo do que os crus.
- Não guarde líquidos em recipientes destampados: poderão provocar aumento de humidade com conseqüente formação de condensação.



PRATELEIRAS: vidro ou de grade. Podem ser extraídas e têm altura regulável mediante as guias para este fim (veja a figura), para introduzir recipientes ou alimentos de tamanho grande. Para regular a altura não é necessário retirar inteiramente a prateleira.

Indicador da **TEMPERATURA***: para identificar a zona mais fria do frigorífico.

1. Verifique se no indicador está em OK de maneira bem evidente (veja a figura).



2. Se não aparecer a escrita OK significa que a temperatura está alta demais: regule a selector de FUNCIONAMENTO DO FRIGORÍFICO numa posição mais alta (mais fria) e aguarde aproximadamente 10 h. até a temperatura estabilizar-se.
3. Verifique novamente o indicador: e, se for necessário, realize uma nova regulação. Se forem guardadas grandes quantidades de alimentos ou se a porta for aberta frequentemente, é normal que o indicador não esteja em OK. Aguarde pelo menos 10 h. antes de regular o selector de FUNCIONAMENTO DO FRIGORÍFICO numa posição mais alta.

Utilize melhor o congelador

- Não congele novamente alimentos que estiverem a descongelar-se ou descongelados; estes alimentos devem ser cozidos para ser consumados (dentro de 24 horas).
- Os alimentos frescos a serem congelados não devem ser colocados encostados nos já congelados; devem ser guardados sobre a grade do compartimento para CONGELAÇÃO e CONSERVAÇÃO nas quais a temperatura desce abaixo de - 18°C e garante uma boa velocidade de congelação.
- Não coloque no congelador garrafas de vidro contendo líquidos, tampadas ou fechadas hermeticamente, porque poderão partir-se.
- A quantidade máxima diária de alimentos a ser congelada é indicada na placa de identificação, situada no compartimento frigorífico, embaixo à esquerda (por exemplo: Kg/24h 4).
- A fim de obter um espaço maior no compartimento congelador, é possível tirar as gavetas das suas posições (excepto aquela mais baixa ou a eventual gaveta COOL CARE ZONE com temperatura variável) e guardar os alimentos directamente nas chapas de evaporação.

! Durante a congelação evite abrir a porta.

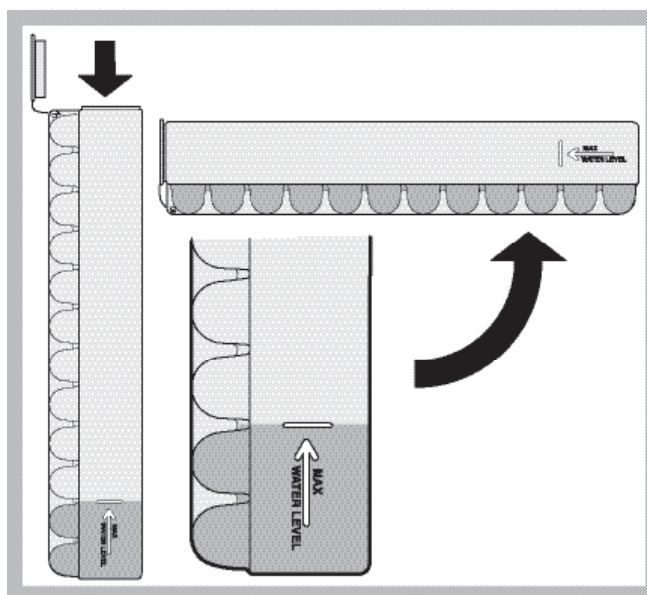
! Em caso de interrupção de corrente ou de avaria, não abra a porta do congelador: desta maneira os alimentos congelados em casa ou industriais não sofrerão alterações durante aproximadamente 9 ~ 14 horas.

! Se durante muito tempo, a temperatura ambiente permanecer inferior a 14° C, não se chegará plenamente às temperaturas necessárias para uma longa conservação no compartimento congelador e, portanto, o período de conservação será reduzido.

Recipiente para gelo Ice Care

A posição na parte superior das gavetas no vão do freezer assegura uma limpeza maior (o gelo não entra mais em contacto com os alimentos) e ergonomia (não goteja quando for carregado).

1. Para retirar o recipiente empurre-o para cima. Certifique-se que o recipiente esteja inteiramente vazio e encha-o de água pelo furo para este fim.
2. Preste atenção para não ultrapassar o nível indicado (MAX WATER LEVEL). Água demais dificulta a extracção do gelo (se acontecer, aguarde o gelo derreter-se e esvazie o recipiente).
3. Rode o recipiente 90°: a água enche as formas pelo princípio dos vasos comunicantes (veja a figura).
4. Tape o furo com a tampa fornecida e guarde o recipiente.
5. Quando se tiver formado gelo (tempo mínimo aproximadamente 8 horas) bata o recipiente sobre uma superfície dura e molhe-o por fora para o gelo soltar-se; em seguida deixe-o sair pelo furo.



Interromper a corrente eléctrica

Durante as operações de limpeza e manutenção é necessário isolar o aparelho da rede eléctrica:

Não é suficiente colocar os selectores de regulação da temperatura na posição ● (aparelho desligado) para eliminar todos os contactos eléctricos.

Limpar o aparelho

- As partes externas, as partes internas e as guarnições de borracha podem ser limpadas com uma esponja molhada de água morna e bicarbonato de sódio ou sabão neutro. Não empregue solventes, abrasivos, água de javel nem amoníaco.
- Os acessórios removíveis podem ser colocados de molho em água quente e sabão ou detergente para pratos. Enxugue-os e enxugue-os com cuidado.
- Na parte de trás do aparelho tende a acumular-se poeira, que pode ser eliminada, depois de ter desligado o aparelho e retirado a ficha da tomada eléctrica, utilizando delicadamente o bocal comprido de um aspirador de pó, regulado numa potência média.

Evite bolor e maus cheiros

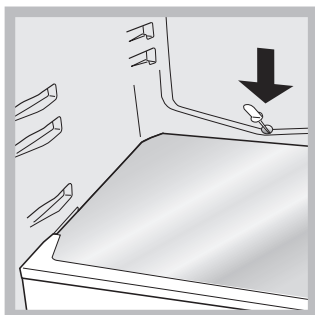
- Este aparelho foi fabricado com materiais higiénicos que não transmitem odores. Para manter esta característica é necessário os alimentos serem sempre protegidos e bem fechados. Isto também evitará a formação de manchas.
- Se for deixar o aparelho muito tempo desligado, limpe-o por dentro e deixe as portas abertas.

Descongelo o aparelho

! Obedeça as seguintes instruções. Para descongelo el aparato no utilice objetos cortantes o con punta porque podrían dañar irremediabilmente el circuito refrigerante.

Descongelo o compartimento frigorífico

Este frigorífico é equipado com degelo automático: a água derretida é conduzida para a parte traseira através de um furo de descarga (veja a figura) desta maneira o calor produzido pelo compressor evapora-se. A única intervenção a ser realizada periodicamente consiste na limpeza do furo de descarga para a água poder defluir desimpedida.



Descongelo o compartimento congelador

Se a camada de gelo for superior a 5 mm. será necessário descongelo manualmente:

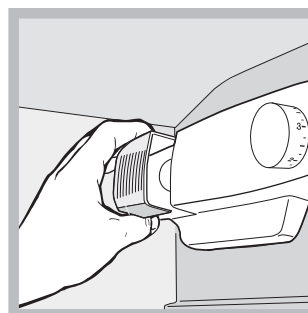
1. Coloque o selector para A REGULAÇÃO DA TEMPERATURA na posição ●.
2. Envolve os alimentos congelados industrialmente ou em casa com folhas de papel e guarde-os num sítio fresco.
3. Deixe a porta aberta até o gelo ter-se derretido inteiramente; para facilitar a operação coloque recipientes com água morna dentro do compartimento congelador.
4. Limpe e enxugue o compartimento congelador com cuidado antes ligar novamente o aparelho.
5. Antes de introduzir os alimentos no compartimento do congelador, aguardar aproximadamente duas horas para o restabelecimento das condições ideais de conservação.

Substituição da lâmpada

Para substituir a lâmpada de iluminação do compartimento frigorífico, desligue a ficha da tomada de corrente. Obedeça as seguintes instruções.

Para obter acesso à lâmpada, retire a protecção da maneira indicada na figura.

Substitua-a por uma de potência análoga à indicada na protecção (15 W o 25 W).



Precauções e conselhos

P

! Este aparelho foi projectado e fabricado em conformidade com as regras internacionais de segurança. Estas advertências são fornecidas para razões de segurança e devem ser lidas com atenção.



Esta aparelhagem é em conformidade com as seguintes Directivas da Comunidade Europeia:
- 73/23/CEE do 19/02/73 (Baixa Tensão) e sucessivas modificações;
- 89/336/CEE do 03/05/89 (Compatibilidade Electromagnética) e sucessivas modificações.



Segurança geral

- Este aparelho foi concebido para uma utilização de tipo não profissional, no âmbito de uma morada.
- Este aparelho deve ser utilizado somente por pessoas adultas, para conservar e congelar alimentos, segundo as instruções apresentadas neste folheto.
- Este aparelho não deve ser instalado ao ar livre mesmo se num sítio abrigado, porque é muito perigoso deixá-lo exposto à chuva e temporais.
- Não toque neste aparelho com os pés descalços nem com as mãos ou os pés molhados ou húmidos.
- Não toque nas partes de refrigeração internas: há perigo de queimaduras e feridas.
- Não puxe o cabo eléctrico para desligar a ficha da tomada, mas pegue pela ficha.
- É necessário desligar a ficha da tomada antes de realizar operações de limpeza e manutenção. Não é suficiente colocar os selectores de regulação da temperatura na posição **0** (aparelho desligado) para eliminar todos os contactos eléctricos.
- No caso de avaria, nunca mexa nos mecanismos internos para tentar reparar.
- En el interior de los compartimientos donde se conservan alimentos congelados, no utilice utensilios cortantes o con punta ni aparatos eléctricos, que no sean los recomendados por el fabricante.
- Não coloque na boca cubos de gelo assim que os retirar do congelador.
- Não é previsto que este aparelho seja utilizado por pessoas (incluso crianças) com reduzidas capacidades físicas, sensoriais ou mentais, por pessoas inexperientes ou sem conhecimento, a não ser que sejam vigiadas ou que tenham recebido instruções preliminares sobre o uso do aparelho por parte de uma pessoa responsável pela sua segurança. As crianças deveriam ser vigiadas para evitar que brinquem com o aparelho.
- Os embalagens não são brinquedos para as crianças.

Eliminação

- Eliminação do material de embalagem: obedeça as regras locais, ou reutilize as embalagens.
- A directiva Europeia 2012/19/EU referente à gestão de resíduos de aparelhos eléctricos e electrónicos (RAEE), prevê que os electrodomésticos não devem ser escoados no fluxo normal dos resíduos sólidos urbanos. Os aparelhos desactualizados devem ser recolhidos separadamente para otimizar a taxa de recuperação e reciclagem dos materiais que os compõem e impedir potenciais danos para a saúde humana e para o ambiente. O símbolo constituído por um contentor de lixo barrado com uma cruz deve ser colocado em todos os produtos por forma a recordar a obrigatoriedade de recolha separada. Os consumidores devem contactar as autoridades locais ou os pontos de venda para solicitar informação referente ao local apropriado onde devem depositar os electrodomésticos velhos.

Economizar e respeitar o meio ambiente

- Instale este aparelho num ambiente fresco e bem ventilado, proteja-o contra a exposição directa aos raios do sol, não o coloque perto de fontes de calor.
- Para colocar ou retirar alimentos, abra as portas deste aparelho o mais rapidamente possível. Cada vez que abrir as portas causa um notável gasto de energia.
- Não encha este aparelho com alimentos demais: para uma boa conservação, o frio deve poder circular livremente. Se impedir-se a circulação, o compressor funcionará continuamente.
- Não coloque dentro alimentos quentes: aumentarão a temperatura interna forçando o compressor a funcionar muito, com grande desperdício de energia eléctrica.
- Descongele este aparelho quando se formar gelo (veja a Manutenção); uma camada grossa de gelo torna mais difícil a transmissão do frio aos alimentos e aumenta o consumo de energia.
- Mantenha as guarnições eficientes e limpas, de maneira que adiram bem nas portas e não deixem o frio sair (veja a Manutenção).

Pode acontecer que este aparelho não funcione. Antes de telefonar à Assistência técnica (veja a Assistência), verifique se não se trata de um problema fácil de resolver com a ajuda da seguinte lista.

P

Anomalias:

A lâmpada de iluminação interna não se acende.

O frigorífico e o congelador refrigeram pouco.

Os alimentos congelam-se no frigorífico.

O motor está a funcionar continuamente.

O aparelho está a fazer ruído.

A temperatura de algumas partes externas do frigorífico é elevada

A parede no fundo da cela frigorífica apresenta gelo ou gotas de água

No fundo do frigorífico há água.

Humidade ou gelo excessivo na parte traseira do frigorífico.

Frigorífico quente.

Possíveis cause / Solução:

- A ficha não está ligada na tomada eléctrica ou não está bem ligada e portanto não há contacto, ou então não há corrente em casa.

- As portas não se fecham bem ou as guarnições estão estragadas.
- As portas são abertas com frequência excessiva.
- O selector para A REGULAÇÃO DA TEMPERATURA não está na posição certa
- O frigorífico ou o congelador foram enchidos demais.
- A temperatura ambiente de trabalho do produto é inferior a 14°C.

- O selector para A REGULAÇÃO DA TEMPERATURA não está na posição certa.
- Os alimentos estão encostados na parede traseira.

- A porta não está bem fechada ou é aberta continuamente.
- A temperatura do ambiente externo está muito alta.
- A espessura do gelo ultrapassa 2 ~ 3 mm. (veja a Manutenção).

- O aparelho não foi instalado bem plano (veja a Instalação).
- O aparelho foi instalado entre móveis ou objectos que vibram e emitem ruídos.
- O gás refrigerante interno produz um ruído leve mesmo quando o compressor estiver parado: não é um defeito, é normal.

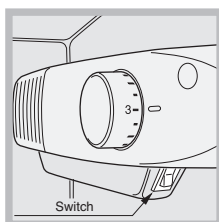
- As temperaturas elevadas são necessárias para evitar a formação de condensa em particulares zonas do produto.

- Trata-se do normal funcionamento do produto.

- O furo de descarga da água está entupido (veja a Manutenção).

- Se a porta do compartimento frigorífico ficar aberta por períodos de tempo prolongados, poderão formar-se humidade ou gelo em excesso. O problema resolve-se quando a porta for fechada consentido assim ao compartimento frigorífico de descongelar-se eliminando assim a humidade presente. Trata-se de uma situação normal para a função de arrefecimento do compartimento frigorífico, sobretudo durante o verão.

- Se a temperatura ambiente for igual ou superior aos 16°C, por exemplo quando o frigorífico tiver sido instalado numa garagem ou num ambiente ao ar livre, é necessário que o interruptor esteja na posição de ON para que o aparelho funcione correctamente.



P

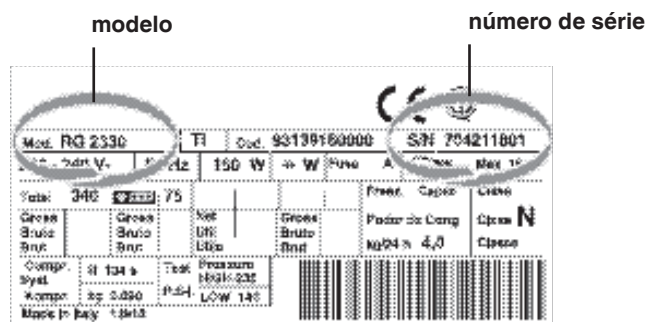
Antes de contactar a Assistência técnica:

- Verifique se pode resolver a anomalia (veja as Anomalias e Soluções).
- Se, apesar de todos os controlos, o aparelho não funcionar e a anomalia que notou continuar a verificar-se, chamar o Centro de Assistência Técnica mais próximo.

Comunique:

- o tipo de anomalia
- o modelo da máquina (Mod.)
- o número de série (S/N)

Estas informações encontram-se na placa de identificação situada no compartimento frigorífico embaixo à esquerda.



Nunca recorrer a técnicos não autorizados e recusar sempre a instalação de peças sobresselentes não originais.

Upute za rad

KOMBINIRANI HLADNJAK/ZAMRZIVAČ

HR

GB English, 1	DE Deutsch, 11	F Français, 21
I Italiano, 31	E Español, 41	P Portugues, 51
HR Hrvatski, 61	CZ Česky, 71	HU Magyar, 81
PL Polski, 91	RO Română, 101	SR Srpski, 111
SK Slovenčina, 121		

CA 55 xx
CAA 55 xx
NCAA 55 xx

Sadržaj

Postavljanje, 62-63

Namještanje i priključivanje
Promjena smjera otvaranja vrata

Opis uređaja, 64

Ukupni prikaz

Pokretanje i upotreba, 65-66

Pokretanje uređaja
Upotreba hladnjaka u njegovom punom kapacitetu
Upotreba zamrzivača u njegovom punom kapacitetu

Održavanje, 67

Isključivanje uređaja
Čišćenje uređaja
Izbjegavanje plijesni i neugodnih mirisa
Odleđivanje uređaja
Zamjena žarulje

Mjere opreza i savjeti, 68

Općenito o sigurnosti
Odlaganje
Poštovanje i očuvanje okoliša

Rješavanje problema, 69

Pomoć, 70



Postavljanje

HR

! Prije puštanja novog uređaja u rad pažljivo pročitajte ove upute. Sadrže važne informacije za sigurnu upotrebu, postavljanje i održavanje uređaja.

!Upute zadržite radi budućih referenci. Predajte ih eventualnim budućim vlasnicima uređaja.

Namještanje i priključivanje

Namještanje

1. Uređaj postavite na suho mjesto s dobrom ventilacijom.
2. Ne zaklanjajte rešetke stražnjeg ventilatora. Kompresor i kondenzator ispuštaju toplinu i treba im dobra ventilacija za ispravan rad i uštedu energije.
3. Ostavite prostor od najmanje 10 cm između gornjeg dijela uređaja i namještaja koji se nalazi iznad njega i najmanje 5 cm između stjenki i namještaja/zidova.
4. Provjerite da se uređaj ne nalazi u blizini izvora topline (izravna sunčeva svjetlost, električna peć, itd.).
5. Da biste održali ispravnu udaljenost uređaja i zida iza njega, postavite razmačnike isporučene u kompletu za postavljanje, prema dobivenim uputama.

Poravnavanje

1. Uređaj postavite na ravnu i tvrdnu površinu.
2. Ako pod nije savršeno vodoravan, napravite potrebne prilagodbe tako da pritegnete ili otpustite nožicu na prednjem dijelu uređaja.

Električna spajanja

Nakon prijevoza uređaja, stavite ga u uspravan položaj i pričekajte najmanje 3 sata prije priključivanja na električnu mrežu. Prije umetanja utikača u električnu utičnicu provjerite:

- je li uređaj uzemljen i je li utikač u skladu s propisima.
- može li utičnica izdržati maksimalnu snagu uređaja navedenu na podatkovnoj pločici na lijevoj strani hladnjaka (npr. 150 W).
- je li napon u rasponu vrijednosti navedenih na podatkovnoj pločici na donjem lijevom dijelu (npr. 220 – 240 V).
- je utičnica kompatibilna s utikačem uređaja. Ako utičnica nije kompatibilna s utikačem, zatražite od ovlaštenog tehničara da je zamijeni (pogledajte Pomoć). Nemojte koristiti produžne kabele niti višestruke utičnice.

! Nakon postavljanja uređaja kabel napajanja i električne utičnice moraju biti lako dostupne.

! Kabel se ne smije savijati niti pritisnuti.

! Samo ovlašteni tehničari moraju redovito provjeravati i zamjenjivati kabel (pogledajte Pomoć).

! Proizvođač otklanja svaku odgovornost u slučaju da se te sigurnosne mjere ne poštuju.

PROMJENA SMJERA OTVARANJA VRATA

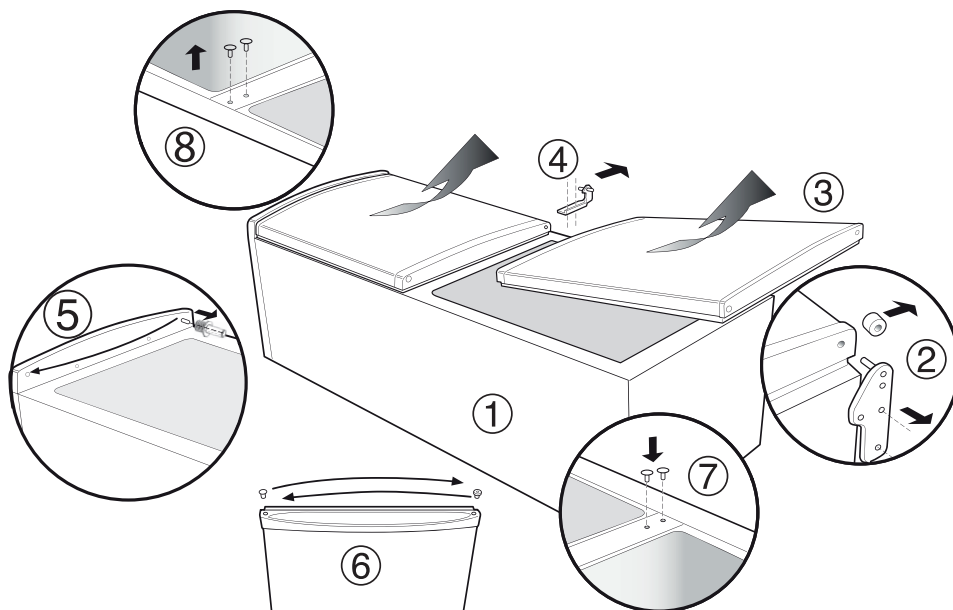
Upozorenje: Prije pokušaja skidanja vrata isključite električno napajanje i iskopčajte strujni utikač.

Prije nastavka rada preporučuje se da uklonite sve otpuštene stavke/nastavke iz unutrašnjosti uređaja i da tijekom provođenja ovog zahvata sve namirnice stavite u izolirane spremnike.

Možda će vam zatrebati pomoć da biste uređaj pažljivo položili na stražnji dio na odgovarajući zaštitni materijal (odnosno originalno pakiranje).

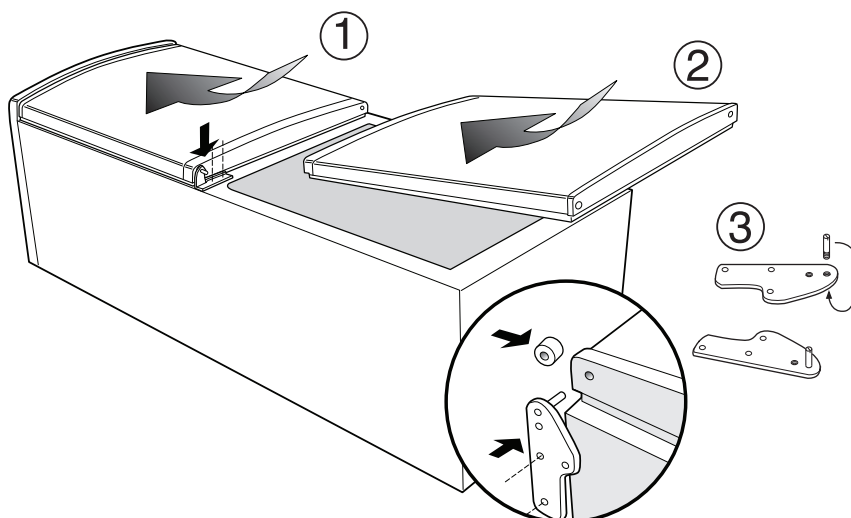
Skidanje vrata

1. Uređaj položite na stražnji dio.
2. Odvijte, skinite i sačuvajte donju šarku.
3. Malo otvorite vrata na dnu i skliznite prema dolje da biste ih skinuli i pažljivo odložili sa strane.
4. Skinite središnju šarku i razmačnik, ako je uređaj opremljen. Malo otvorite vrata na gornjem dijelu i skliznite prema dolje da biste ih skinuli i pažljivo odložili sa strane.
5. Zatik je potrebno skinuti i pričvrstiti na suprotnoj strani.
6. Upotrijebite tanki i tupi instrument da biste skinuli četkice gornje i donje šarke te slijepo zatvarače vrata pazeći da ne ogrebete ručku vrata. Slijepo zatvarače i četkice premjestite na suprotnu stranu.
7. Postavite isporučene slijepo zatvarače u dva središnja otvora za šarke s desne strane.
8. Prije premještanja šarke s desne na lijevu stranu, vijak na ploči s lijeve strane potrebno je rastaviti pa, nakon promjene položaja šarke, ponovno sastaviti na ploči s desne strane.



Zamjena vrata

1. Gornja vrata klizno pomaknite prema gore i postavite zatik gornje šarke u četkicu vrata. Središnju šarku premjestite na suprotnu stranu.
2. Donja vrata pažljivo klizno pomaknite prema gore na zatik središnje šarke.
3. Odvijte zatik donje šarke i postavite ga na suprotnu stranu.
4. Postavite donju šarku pazeći da su vrata poravnata s ormarićem.
5. Pažljivo podignite uređaj u željeni položaj i provjerite da ravno stoji. Otvorite i zatvorite vrata provjeravajući brtve li se dobro i da nema razmaka kada su vrata zatvorena.



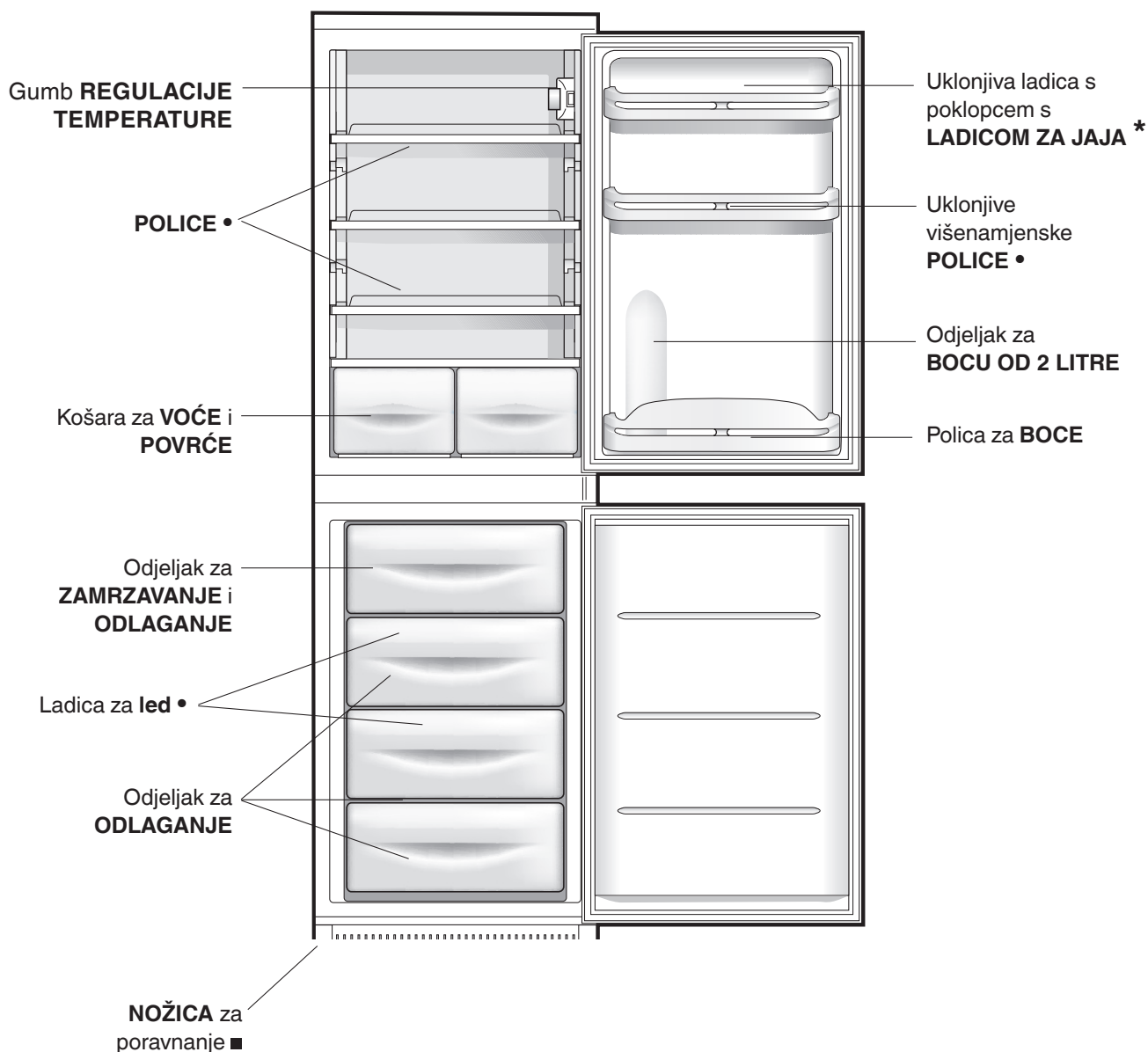
Napomena: Zamijenite otpuštene stavke/priključke na uređaju i ostavite ga najmanje 15 minuta prije ponovnog priključivanja.

Opis uređaja

HR

Ukupni prikaz

Upute iz ovog priručnika primjenjuju se na različite modele hladnjaka. Shematski prikazi možda ne prikazuju kupljeni uređaj. Informacije o složenijim značajkama potražite na sljedećim stranicama.



■ Samo je jedna podesiva nožica.

• Broj i/ili položaj mogu se razlikovati.

* Dostupno samo na određenim modelima.

Pokretanje uređaja

! Prije pokretanja uređaja slijedite uputa za postavljanje (pogledajte Postavljanje).

! Prije priključivanja uređaja očistite odjeljke i dodatnu opremu mlakom vodom sa sodom bikarbonom.

1. Umetnite utikač u utičnicu i provjerite uključuje li se unutarnje svjetlo.
2. Gumb za PODEŠAVANJE TEMPERATURE okrenite na prosječnu vrijednost. Nakon nekoliko sati namirnice možete staviti u hladnjak.

Upotreba hladnjaka u njegovom punom kapacitetu

Temperatura u hladnjaku automatski se samostalno podešava ovisno o položaju gumba termostata.

1 = najtoplije **5** = najhladnije

Ipak, mi preporučujemo srednji položaj.

Područja hlađenja hladnjaka nalazi se unutar njegove stražnje stijenke radi povećanja prostranosti i boljeg estetskog izgleda. Tijekom rada stražnja je stijenka prekrivena ledom ili kapljicama leda ovisno o tome da li kompresor radi ili je privremeno prekinuo rad. Nemojte se brinuti, hladnjak normalno radi.

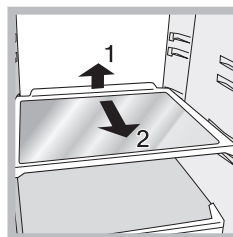
Ako je gumb za PODEŠAVANJE TEMPERATURE postavljen na više vrijednosti uz veće količine namirnica i pri višoj temperaturi okoline, uređaj može neprekidno raditi što dovodi do stvaranja velike količine leda i velike potrošnje energije: to se može kompenzirati tako da se gumb okrene na niže vrijednosti (odmrzavanje se automatski provodi).

Na statičkim uređajima zrak prirodno cirkulira: hladniji se zrak spušta jer je teži.

Namirnice je potrebno spremite na sljedeći način:

Jelo	Raspored unutar hladnjaka
Svježa riba i meso	Iznad košara za voće i povrće
Svježi sir	Iznad košara za voće i povrće
Kuhana hrana	Na bilo koju policu
Naresci, štruce kruha, čokolada	Na bilo koju policu
Voće i povrće	U košare odjeljka za voće i povrće
Jaja	Na isporučenu policu
Maslac i margarina	Na isporučenu policu
Boce, napitci, mlijeko	Na isporučene police

- U odjeljak stavljajte isključivo hladne ili mlake namirnice, a ne i one vruće (pogledajte Mjere opreza i savjete).
- Zapamtite da kuhane namirnice ne traju dulje od sirovih.
- Tekućine nemojte spremati u otvorenim spremnicima. To će povećati vlažnost u hladnjaku i prouzročiti stvaranje kondenzacije.



POLICE: s rešetkom ili bez nje. Zahvaljujući posebnim vodilicama police se mogu uklanjati i podešavati prema visini (pogledajte shematski prikaz) što omogućuje lako pohranjivanje velikih spremnika i namirnica. Visina se može podesiti, a da se polica ne mora potpuno skinuti.

Svjetlo indikatora **TEMPERATURE**: za prepoznavanje najhladnijeg područja u hladnjaku.

1. Provjerite prikazuje li se jasno OK na svjetlu indikatora (pogledajte shematski prikaz).



2. Ako se riječ "OK" ne pojavljuje, to znači da je temperatura previsoka: namjestite gumb za RAD HLADNJAKA u viši položaj (hladnije) i pričekajte približno 10 sati da se temperatura stabilizira.
3. Ponovno provjerite svjetlo indikatora: prema potrebi ponovno ga podesite prema početnom postupku. Ako se dodaju velike količine namirnica ili ako se vrata hladnjaka prečesto otvaraju, normalno je da indikator ne prikazuje OK. Pričekajte najmanje 10 sati prije postavljanja gumba za RAD HLADNJAKA u višu postavku.

Higijena hrane

1. Nakon kupovine namirnica u potpunosti uklonite vanjsku ambalažu od papira/kartona ili drugih omota, koji bi u hladnjak mogli unijeti bakterije ili prljavštinu.
2. Zaštitite namirnice (posebice one lako kvarljive i one koje imaju snažan miris), da biste izbjegli njihov međusobni doticaj i tko spriječili mogućnost kontaminacije klicama/bakterijama kao i širenje snažnih mirisa unutar hladnjaka.
3. Sve namirnice spremite tako da se osigura slobodna cirkulacija zraka između njih.
4. Unutrašnjost hladnjaka održavajte čistom pazeći da ne upotrebljavate oksidanse ili abrazivne proizvode.

5. Iz hladnjaka izvadite sve namirnice kojima je istekao rok trajanja.
6. Radi ispravnog čuvanja namirnica sve lako kvarljive namirnice (meki sirevi, svježa riba, meso itd.) potrebno je spremite u najhladniji dio hladnjaka, odnosno netom iznad ladice za očuvanje svježine salate gdje se nalazi pokazatelj temperature.

Upotreba zamrzivača u njegovom punom kapacitetu

- Nemojte nikada ponovno zamrzavati namirnice koje se odmrzavaju ili one koje su već odmrznute. Te se namirnice moraju skuhati i pojesti (u roku od 24 sata).
- Svježe namirnice koje je potrebno zamrznuti ne smiju doći u doticaj s već odmrznutim namirnicama. Svježe je namirnice potrebno zamrznuti iznad rešetke u zamrzivaču i, ako je moguće, u izravnom doticaju sa stijenkama (bočnim i stražnjim), gdje se temperatura spušta ispod -18°C i jamči brzo zamrzavanje.
- Začepljene ili hermetički zatvorene staklene boce s tekućinama ne stavljajte u zamrzivač jer bi mogle puknuti.
- Maksimalna količina namirnica koja se dnevno može zamrznuti navedena je na pločici s tehničkim karakteristikama na donjem lijevom dijelu hladnjaka (na primjer: kg/24 h: 4).
- Da biste dobili više prostora u zamrzivaču, možete ukloniti košare (osim najniže košare i posebne košare COOL CARE ZONE (za hladno područje) s podesivom temperaturom) i namirnice stavite izravno na ploče isparivača.

! Tijekom zamrzavanja nemojte otvarati vrata.

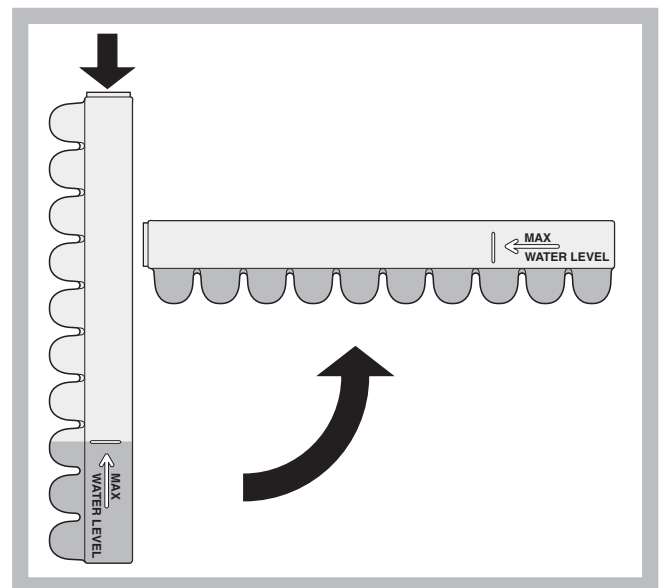
! Ako dođe do nestanka struje ili pojave neispravnosti, nemojte otvarati vrata zamrzivača. Time će se omogućiti održavanje temperature u zamrzivaču čime se jamči održavanje namirnica za najmanje 9 – 14 sati.

! Ako se sobna temperatura na dulje vrijeme spusti ispod 14°C , u zamrzivaču se neće postići idealna temperatura i smanjit će se očuvanje namirnica.

Ladica za led

Njihova veća čistoća zajamčena je time što se nalaze u gornjem dijelu ladica zamrzivača: led više ne dolaze u doticaj s namirnicama unutar zamrzivača; osim toga, izbjegava se kapanje vode prilikom punjenja (isporučuje se i poklopac za zatvaranje otvora nakon ulijevanja vode).

1. Ladicu izvucite tako da je gurnete prema gore. Provjerite je li ladica potpuno prazna i napunite je vodom kroz otvor na njoj.
2. Pazite da ne prijedete označenu razinu (MAKS: RAZINA VODE). Višak vode sprječava da se dijeljenje kockica leda (ako se to dogodi, pričekajte da se led otopi i ispraznite ladicu).
3. Ladicu okrenite za 90° : odjeljci su povezani pa se svaki dio kalupa puni vodom (pogledajte shematski prikaz).
4. Otvor zatvorite s pomoću isporučenog čepa i vratite ladicu.
5. Kada se led stvori (minimalno vrijeme čekanja 8 sati), ladicom udarite o tvrdu površinu i navlažite je izvana da bi se kockice leda otpustile i izvadite ih kroz otvor.



Isključivanje uređaja

Tijekom zahvata čišćenja i održavanja obavezno isključite uređaj iz električne mreže:

nije dovoljno samo postaviti gumb za podešavanje temperature u položaj ● (isključen uređaj) da biste potpuno isključili električni kontakt.

Čišćenje uređaja

- Vanjski i unutarnji dijelovi kao i gumene brtve mogu se čistiti spužvom natopljenu mlakom vodom sa sodom bikarbonom ili neutralnim sapunom. Ne upotrebljavajte otapala, abrazivna sredstva, izbjeljivače ili amonijak.
- Dodatna oprema koja se može ukloniti može se potopiti u toplu vodu sa sapunom ili deterdžentom za pranje suđa. Isperite je i pažljivo osušite.
- Na stražnjem dijelu uređaja može doći do nakupljanja prašine koja se može ukloniti pažljivom upotrebom crijeva usisavača postavljenog na srednju razinu snage. Prije čišćenja uređaja on se mora isključiti i utikač se mora iskopčati.

Izbjegavanje plijesni i neugodnih mirisa

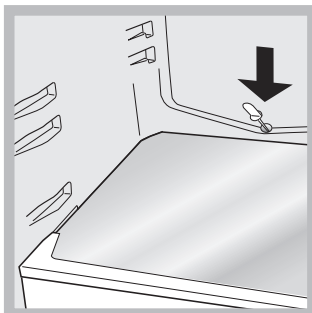
- Uređaj je izrađen od higijenskih materijala bez mirisa. Kako bi se održao hladnjak bez mirisa i spriječilo stvaranje mrlja, namirnice uvijek treba pravilno poklopiti ili omotati.
- Ako uređaj želite na dulje vrijeme isključiti, očistite unutrašnjost i ostavite vrata otvorenima.

Odleđivanje uređaja

! Slijedite upute u nastavku.

Nemojte upotrebljavati oštre ili šiljate oštrice da biste odmrznuli uređaj jer se tako krug hlađenja može nepovratno oštetiti.

Odmrzavanje odjeljka hladnjaka



Hladnjak je opremljen funkcijom automatskog odmrzavanja: voda se dovodi do stražnjeg dijela uređaja putem posebnog odvoda (pogledajte shematski prikaz) gdje isparava zbog topline koju stvara kompresor. Otvor za pražnjenje potrebno je redovito čistiti da bi voda mogla lako istjecati.

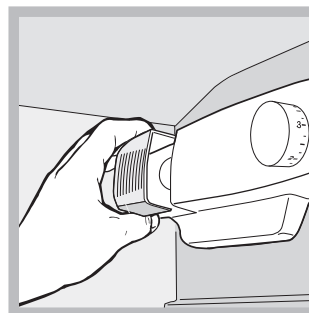
Odmrzavanje odjeljka zamrzivača

Ako je debljina leda veća od 5 mm, potrebno ga je ručno odmrznuti:

1. Postavite gumb za PODEŠAVANJE TEMPERATURE u položaj ● .
2. Zamrznute namirnice omotajte novinskim papirom i stavite ih u drugi zamrzivač ili na hladno.
3. Vrata ostavite otvorenima sve dok se led potpuno ne otopi. To se može olakšati tako da se spremnici s mlakom vodom stave u zamrzivač.
4. Zamrzivač pažljivo očistite i osušite prije no što ponovno uključite uređaj.
5. Pričekajte približno 2 sata, odnosno dok se ne obnove uvjeti za idealno spremanje, prije ponovnog stavljanja namirnica u zamrzivač.

Zamjena žarulje

Kada mijenjate žarulju u hladnjaku, utikač iskopčajte iz električne utičnice. Slijedite upute u nastavku. Žarulji pristupite tako da pokrov skinete na način naveden na shematskom prikazu. Zamijenite je sličnom žaruljom u rasponu snage navedenom na pokrovu (15 W ili 25 W).



Mjere opreza i savjeti

HR

! Uređaj je napravljen i proizveden u skladu s međunarodnim sigurnosnim standardima. Sljedeća su upozorenja navedena zbog sigurnosnih razloga i morate ih pažljivo pročitati.



Taj je uređaj u skladu s Direktivama Unije:
– 73/23/EEZ od 19. 2. 1973. (niski napon) i kasnijim izmjenama i dopunama
– 89/336/EEZ od 3. 5. 1989. (elektromagnetska kompatibilnost) i kasnijim izmjenama i dopunama
– 2002/96/EZ.

Općenito o sigurnosti

- Uređaj je napravljen za upotrebu u domaćinstvu, u zatvorenom prostoru i nije namijenjen za komercijalnu ili industrijsku upotrebu.
- Uređaj se mora upotrebljavati za odlaganje i zamrzavanje namirnica samo od strane odraslih osoba i u skladu s uputama u ovom priručniku.
- Uređaj se ne smije postavljati na otvorenom, čak ni u natkrivenim područjima. Iznimno je opasno uređaj ostavljati izložen kiši i olujama.
- Uređaj ne dodirujte ako ste bosonogi ili s mokrim ili vlažnim rukama i nogama.
- Ne dodirujte unutarnje elemente za hlađenje: to može prouzročiti abrazije kože ili ozeblina.
- Prilikom iskopčavanja uređaja, uvijek iskopčajte utikač iz električne utičnice, nikada ne povlačite kabel.
- Prije obavljanja zahvata održavanja i čišćenja uvijek isključite uređaj i iskopčajte ga iz električnog napajanja. nije dovoljno samo postaviti gumb za podešavanje temperature u položaj ● (isključen uređaj) da biste potpuno isključili električni kontakt.
- U slučaju neispravnosti, ni pod kojim uvjetima ne pokušavajte sami popraviti uređaj. Popravci koje obavljaju neiskusne osobe mogu izazvati ozljede ili dodatne neispravnosti uređaja.
- U unutrašnjosti dijela za odlaganje zamrznutih namirnica ne upotrebljavajte oštar ili šiljati pribor ili električnu opremu, osim one koju preporučuje proizvođač.
- Kockice leda izvađene izravno iz zamrzivača ne stavljajte u usta.
- Uređaj nije namijenjen osobama (uključujući djecu) sa smanjenim fizičkim, osjetnim ili mentalnim sposobnostima, odnosno bez iskustva i znanja, osim ako su pod nadzorom ili ih u korištenje uređaja ne uputi osoba odgovorna za njihovu sigurnost. Djecu treba nadzirati kako bi se osiguralo da se ne igraju s uređajem.
- Čuvajte ambalažu podalje od dohvata djece! Može predstavljati opasnost od gušenja.

Odlaganje

- Pridržavajte se lokalnih normi prilikom odlaganja ambalaže za reciklažu.
- Prema europskoj Direktivi 2012/19/EU o otpadnoj električnoj i elektroničkoj opremi (WEEE) električni kućanski uređaji ne smiju se odlagati zajedno s običnim, nerazvrstanim otpadom. Stari se uređaji odvojeno prikupljaju kako bi se poboljšala uporaba i recikliranje materijala koje sadrže i smanjio utjecaj na ljudsko zdravlje i okoliš. Prekrižen simbol „kante za smeće na kotačima“ podsjeća vas na vaše obaveze da se uređaj prilikom odlaganja mora odvojeno prikupljati. Potrošači svoje stare uređaje mogu odvesti na javna odlagališta, ostala odlagališta komunalnog otpada ili, ako to dopuštaju nacionalni zakonski propisi, vratiti dobavljaču prilikom kupovine sličnog novog proizvoda. Svi veći proizvođači kućanskih uređaja aktivno sudjeluju u stvaranju sustava za upravljanje prikupljanjem i odlaganjem starih uređaja.

Poštovanje i očuvanje okoliša

- Uređaj postavite u svježju i dobro prozračenu prostoriju. Provjerite je li zaštićen od izravne sunčeve svjetlosti i ne postavljajte ga u blizini izvora topline.
- Izbjegavajte držanje vrata predugo otvorenim ili prečesto otvaranje vrata kako biste sačuvali energiju.
- Uređaj ne punit s prevelikom količinom namirnica: hladan zrak mora slobodno cirkulirati oko namirnica kako bi ih dobro sačuval. Ako se cirkulacija blokira, kompresor će neprekidno raditi.
- Vruće namirnice ne stavljajte izravno u hladnjak. Unutarnja će se temperatura povećati pa će kompresor morati jače raditi i trošiti više energije.
- Uređaj odmrznite ako dođe do stvaranja leda (pogledajte Održavanje). Debeo sloj leda otežava prijenos hladnoće na namirnice i dovodi do veće potrošnje energije.
- Redovito provjeravajte brtve na vratima i čistite ih tako da u njima nema ostataka i da biste spriječili izlaz hladnog zraka (pogledajte Održavanje).

Ako uređaj ne radi, prije no što pozovete Pomoć (pogledajte Pomoć), rješenje potražite na sljedećem popisu.

HR

Neispravnosti:

Unutarnje svjetlo ne radi.

Hladnjak i zamrzivač ne hlade dovoljno.

Namirnice u hladnjaku počinju se zamrzavati.

Motori neprestano rade.

Uređaj stvara puno buke.

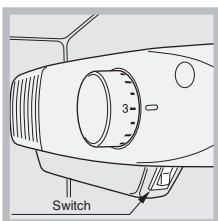
Neki se vanjski dijelovi hladnjaka zagrijavaju.

Stražnja stjenka hladnjaka prekrivena je ledom ili kapljicama vode.

Voda se nakuplja na dnu odjeljka hladnjaka.

Prevelika vlaga/led na stražnjem dijelu hladnjaka.

Topli hladnjak



Mogući uzroci/rješenja:

- Utikač nije umetnut u električnu utičnicu ili nije dovoljno duboko umetnu da bi se postigao kontakt ili nema struje u zgradi.
- Vrata nisu pravilno zatvorena ili su oštećene brtve.
- Vrata se prečesto otvaraju.
- Gumb za PODEŠAVANJE TEMPERATURE nije u ispravnom položaju.
- Hladnjak ili zamrzivač je prepunjen.
- Temperatura okoline oko uređaja niža je od 14 °C.
- Gumb za PODEŠAVANJE TEMPERATURE nije u ispravnom položaju.
- Namirnice dodiruju stražnji dio unutarnje stjenke hladnjaka.
- Vrata nisu pravilno zatvorena ili se stalno otvaraju.
- Temperatura okoline je previsoka.
- Debljina leda prelazi 2 – 3 mm (pogledajte Održavanje).
- Uređaj nije postavljen na ravnu površinu (pogledajte Postavljanje).
- Uređaj je postavljen između ormarića koji vibriraju i stvaraju buku.
- Rashladno sredstvo u unutrašnjosti stvara zvuk čak i kada je kompresor isključen. To nije kvar, to je uobičajeno.
- Te više temperature potrebne su da bi se izbjeglo stvaranje kondenzacije na određenim dijelovima proizvoda.
- To pokazuje da uređaj normalno radi.
- Odvod vode je blokiran (pogledajte Održavanje).
- Do pojave prevelike količine vlage/leda dolazi ako su vrata odjeljka za zamrzavanje dulje vrijeme otvorena. Nestat će kada se vrata zatvore i omogući da se odjeljka za zamrzavanje odledi i ispusti vlagu. To je uobičajeno za funkciju hlađenja odjeljka za zamrzavanje, posebice ljeti.
- Ako je sobna temperatura 16 C ili niža (ako se, na primjer, proizvod nalazi u garaži ili izvan zgrade), prekidač "Fast Freeze" (Brzo zamrzavanje) mora biti u položaju 'ON' da bi hladnjak ispravno radio.


Prije pozivanja službe za pomoć:

- Provjerite možete li sami otkloniti neispravnost (pogledajte Otklanjanje kvarova).
- Ako nakon svih provjera uređaj i dalje ne radi ili se problem i dalje javlja, pozovite najbliži servis

Prenesite:

- vrstu neispravnosti
- model uređaja (Mod.)
- serijski broj (S/N)

Te se informacije nalaze na podatkovnoj pločici smještenoj na donjoj lijevoj strani hladnjaka.

model				serijski broj			
Mod. RG 2330	TI	Cod. 93139180000	S/N 704211801				
240 V~	Hz	150 W	W	Fuse	A	mm	Max 15
Total	340	75			Freez. Capac	Class	
Gross Bruto Brut		Gross Bruto Brut	Net Util Utile	Gross Bruto Brut	Poder de Cong	Clase	N
					kg/24 h	4,0	Classe
Compr. Syst.	R 134 a	Test Pressure	HIGH-235				
Kompr.	kg 0,090	P-S-L	LOW 140				
Made in Italy 13918							

Nikada ne pozivajte neovlaštene tehničare i uvijek odbijajte rezervne dijelove koji nisu originalni.

Návod k použití

KOMBINOVANÁ CHLADNIČKA



English, 1



Deutsch, 11



Français, 21



Italiano, 31



Espanol, 41



Portuges, 51



Hrvatski, 61



Česky, 71



Magyar, 81



Polski, 91



Română, 101



Srpski, 111



Slovenčina, 121

CA 55 xx
CAA 55 xx
NCAA 55 xx

Obsah

Instalace, 72-73

Umístění a zapojení
Zaměnitelnost směru otevírání dveří

Popis zařízení, 74

Celkový pohled

Uvedení do provozu a použití, 75-76

Uvedení zařízení do provozu
Optimální způsob použití chladničky
Optimální způsob použití mrazničky

Údržba a péče, 77

Vypnutí přívodu elektrického proudu
Vyčištění zařízení
Zabránění tvorbě plísní a nepříjemných zápachů
Odstranění námrazy ze zařízení
Výměna žárovky

Opatření a rady, 78

Základní bezpečnostní opatření
Likvidace
Úspora energií a ochrana životního prostředí

Závady a způsob jejich odstranění, 79

Servisní služba, 80

CZ

! Je důležité uschovat tento návod za účelem jeho další konzultace. V případě prodeje, darování nebo stěhování se ujistěte, že zůstane spolu se zařízením, aby informoval nového vlastníka o jeho činnosti a o příslušných upozorněních.

! Pozorně si přečtěte uvedené pokyny: obsahují důležité informace týkající se instalace, použití a bezpečnosti.

Umístění a zapojení

Umístění

1. Zařízení umístěte do dobře větraného prostoru s nízkou vlhkostí.
2. Ponechte zadní ventilační otvory volně přístupné: Kompresor a kondenzátor jsou zdroji tepla a ke své činnosti charakterizované úsporou elektrické energie vyžadují dobrou ventilaci.
3. Mezi horní částí zařízení a případným nábytkem nacházejícím se nad zařízením ponechte vzdálenost alespoň 10 cm a mezi bočními stěnami a nábytkem/bočními stěnami alespoň 5 cm.
4. Udržujte zařízení v dostatečné vzdálenosti od zdrojů tepla (přímé sluneční světlo, elektrický sporák).
5. Abyste zajistili optimální vzdálenost výrobku od zadní stěny, namontujte rozpěrky z instalační sady; při montáži postupujte dle pokynů uvedených v příslušném specifickém listu.

Umístění do vodorovné polohy

1. Zařízení nainstalujte na pevnou rovnou podlahu.
2. V případě, že podlaha není dokonale vodorovná, vykompenzujte zjištěné rozdíly odšroubováním nebo zašroubováním jediné přední nožičky.

Elektrické zapojení

Následně po přepravě umístěte zařízení do svislé polohy a před jeho připojením do elektrického rozvodu vyčkejte alespoň 3 hodiny. Před zasunutím zástrčky do zásuvky elektrického rozvodu se ujistěte, že:

- Je zásuvka řádně uzemněna zákonně předepsaným způsobem;
- je zásuvka schopna unést maximální příkon spotřebiče, uvedený na identifikačním štítku umístěném v levé dolní části chladicího prostoru (např. 150 W);
- se napájecí napětí nachází v rozsahu hodnot uvedených na identifikačním štítku umístěném vlevo dole (např. 220-240 V);
- je zásuvka kompatibilní se zástrčkou zařízení. V opačném případě požádejte o výměnu autorizovaného technika (*viz Servisní služba*); nepoužívejte prodlužovací kabely ani rozvodky.

! Po ukončení instalace zařízení musí být elektrický kabel a zásuvka elektrického rozvodu lehce dostupné.

! Kabel nesmí být vystaven ohýbání nebo stlačování.

! Kabel musí být podrobován pravidelným kontrolám a smí být nahrazen pouze autorizovanými technikami (*viz Servisní služba*).

! Výrobce odmítá jakoukoli odpovědnost za případy, kdy nebudou dodržena uvedená pravidla.

Zaměnitelnost směru otevírání dvířek

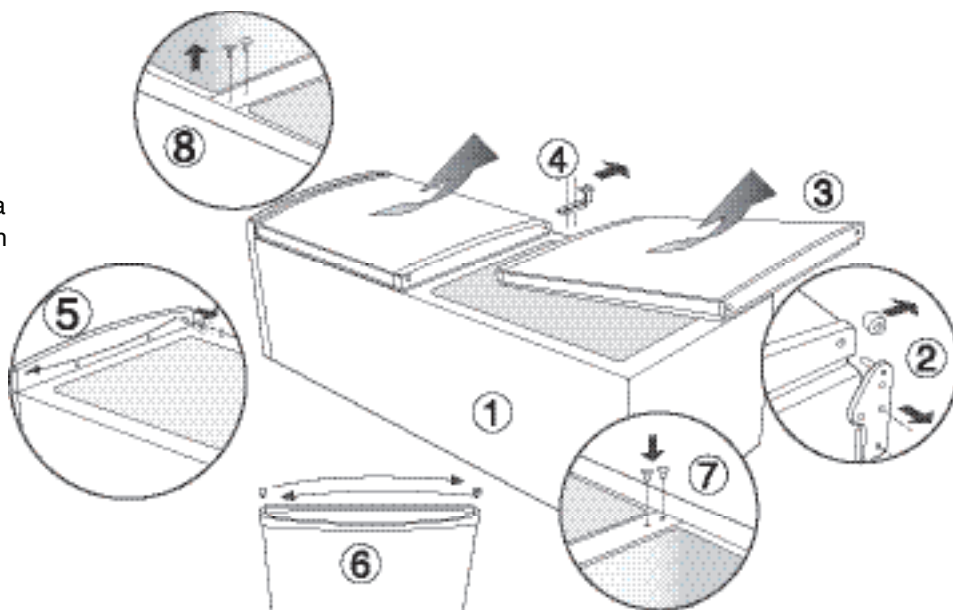
Upozornění: Dříve, než se pokusíte provést demontáž dvířek, vypněte napájecí zdroj a odpojte zástrčku napájení.

Při provádění této operace se doporučuje vyjmout jakýkoli volný prvek/součást příslušenství zevnitř zařízení a vložit potraviny do izolovaných nádob.

Mohla by být potřebná pomoc pro opatrné uložení zadní části zařízení na vhodné ochranné materiály (například originální obal).

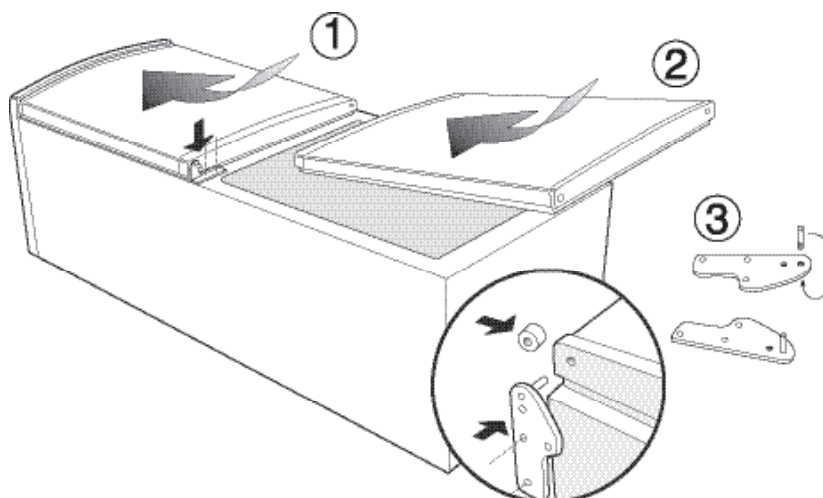
Demontáž dvířek

1. Položte zařízení na zadní stranu.
2. Odšroubujte, vytáhněte a odložte spodní závěs.
3. Mírně pootevřete spodní dvířka a nechte je sklouznout směrem dolů; vyjměte je a opatrně položte na stranu.
4. Odmontujte centrální závěs a rozpěrku, je-li přítomna. Mírně pootevřete horní dvířka a nechte je sklouznout směrem dolů; vyjměte je a opatrně položte na stranu.
5. Kolík bude vyjmutý a připevněný k opačné straně
6. K demontáži pouzder horních a spodních závěsů a blokovací z dvířek použijte jemný zaoblený nástroj a dbejte přitom, abyste nepoškrábali kliku. Znovu nastavte blokovací a pouzdra do potřebné polohy z opačné strany.
7. Vložte blokovací z příslušenství do dvou otvorů centrálních závěsů z pravé strany.
8. Před přemístěním závěsu z pravé strany na levou je třeba odšroubovat šroub z panelu na levé straně a po přemístění závěsu je třeba zašroubovat stejný šroub do panelu na pravé straně.



Opětovné nastavení dvířek do předepsané polohy

1. Nechte sklouznout horní dvířka směrem nahoru a zasuňte čep horního závěsu do pouzdra dvířek. Umístěte centrální závěs zpět do předepsané polohy z opačné strany.
2. Opatrně nechte sklouznout spodní dvířka směrem nahoru a zasuňte dovnitř čep centrálního závěsu.
3. Odšroubujte čep spodního závěsu a umístěte jej z opačné strany.
4. Připevněte spodní závěs a ujistěte se přitom, že jsou dvířka vyrovnána s nábytkem.
5. Opatrně postavte zařízení do svislé polohy v požadovaném místě a ujistěte se, že je řádně vyrovnáno do vodorovné polohy. Otevřete a zavřete dvířka, abyste zkontrolovali, zda těsnění zajišťuje vhodnou těsnost bez štěrbin při zavřených dvířkách.



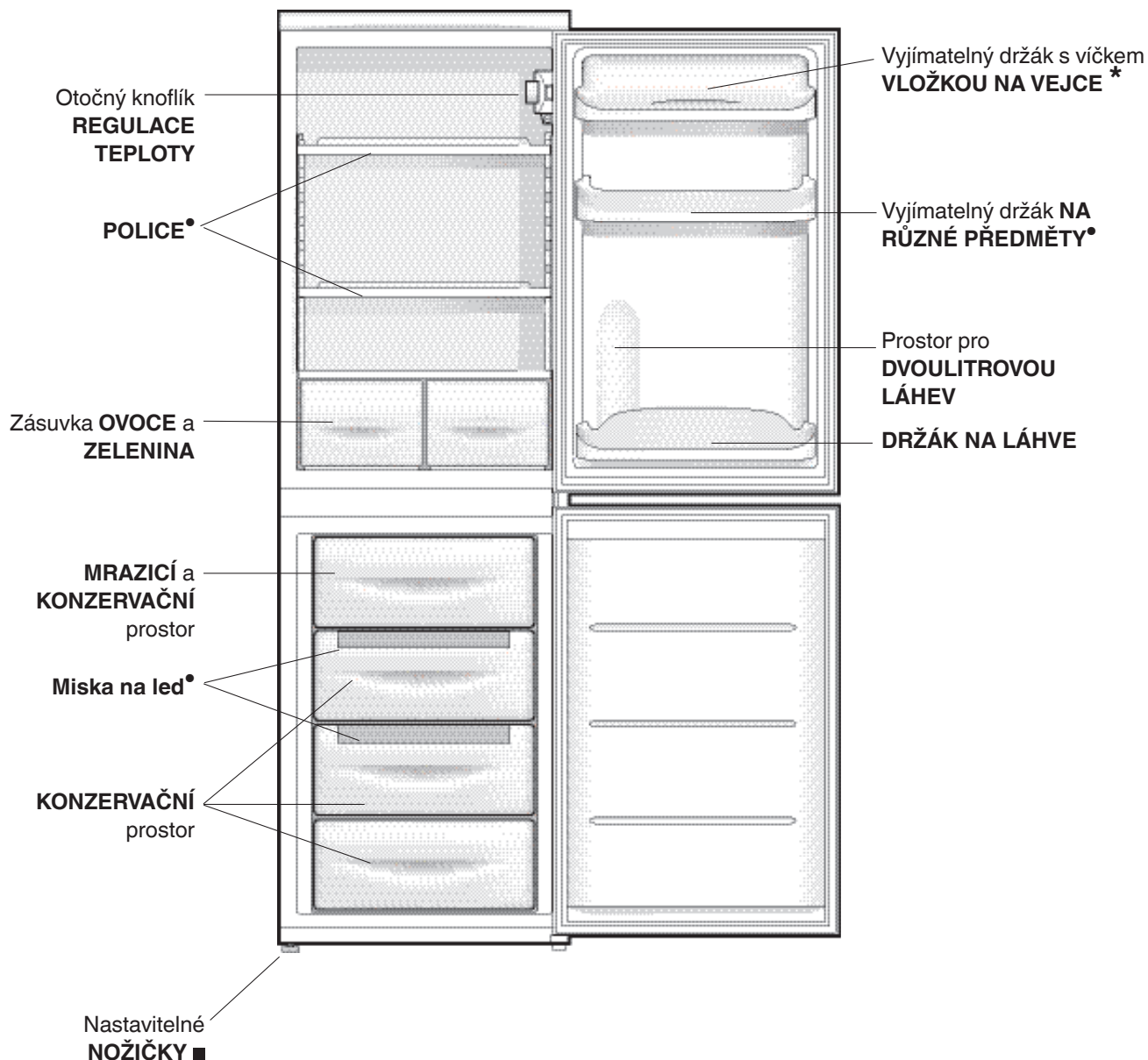
POZNÁMKA: Vložte do zařízení prvky/součásti příslušenství a dříve, než jej znovu zapnete, vyčkejte nejméně 15 minut.

Popis zařízení

CZ

Celkový pohled

Pokyny k použití platí pro různé modely, a proto je možné, že na obrázku budou zobrazeny součásti odlišující se od zakoupeného zařízení. Popis nejsložitějších součástí je uveden na následujících stránkách.



■ Nastavení se provádí jedinou nožičkou.

• Liší se v počtu a/nebo dle polohy.

* Je součástí pouze některých modelů.

Uvedení do provozu a použití

Uvedení zařízení do provozu

! Před uvedením zařízení do provozu se řiďte pokyny pro instalaci (viz *Instalace*).

! Před zapojením zařízení dokonale vyčistěte jednotlivé prostory a příslušenství vlažnou vodou a bikarbonátem.

1. Zasuňte zástrčku do zásuvky a ujistěte se, že dojde k rozsvícení žárovky vnitřního osvětlení.
2. Přetočte otočný knoflík REGULACE TEPLoty do polohy odpovídající průměrné hodnotě. Do uplynutí několika hodin bude možné vložit potraviny do chladničky.

Optimální způsob použití chladničky

Teplota uvnitř chladicího prostoru je udržována automaticky na hodnotě nastavené prostřednictvím otočného knoflíku termostatu.

1 = menší chlad

5 = větší chlad

Doporučuje se nastavení střední hodnoty

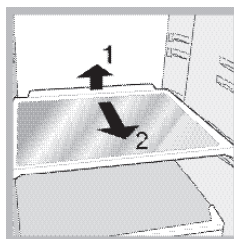
Spotřebič má "chladicí část" umístěnou uvnitř zadní stěny chladicího dílu. Je tomu tak proto, aby byl k dispozici větší prostor a také kvůli lepšímu vzhledu. Během činnosti je tato stěna pokryta námrazou nebo kapkami vody, podle toho, zda kompresor pracuje či je v pauze. Není to však důvod k vašemu znepokojení! Chladnička pracuje běžným způsobem.

Při nastavení otočného knoflíku REGULACE TEPLoty na jednu z vyšších hodnot při velkém množství potravin a při vysoké teplotě vnějšího prostředí může zařízení pracovat nepřetržitě, čímž dochází k nadměrné tvorbě námrazy a vysoké spotřebě elektrické energie: Tomuto problému se dá zabránit nastavením otočného knoflíku na jednu z nižších hodnot (umožňujících provádění automatického odstraňování námrazy ze zařízení).

U zařízení se statickými chladicími systémy se vzduch pohybuje přirozeným způsobem: chladnější má tendenci klesat, protože je těžší. Uvádíme příklad správného umístění potravin:

Druh jídla	Jeho umístění uvnitř chladničky
Maso a vyčištěné ryby	Nad zásuvkami s ovocem a zeleninou
Čerstvé sýry	Nad zásuvkami s ovocem a zeleninou
Vařená jídla	Na libovolné polici
Salámy, chléb v krabici, čokoláda	Na libovolné polici
Ovoce a zelenina	V zásuvkách na ovoce a zeleninu
Vejce	V příslušném držáku
Máslo a margarín	V příslušném držáku
Láhve, nápoje, mléko	V příslušném držáku

- Vkládejte dovnitř pouze chladná nebo vlažná jídla, ne však teplá (viz *Opatření a rady*).
- Pamatujte, že vařené potraviny si udržují své vlastnosti kratší dobu než syrové.
- Nevkládejte dovnitř tekutiny v otevřených nádobách: způsobily by zvýšení vlhkosti s následnou tvorbou kondenzátu.



POLICE: plné nebo ve formě mřížky.

Jsou vyjímatelné a výškově nastavitelné prostřednictvím příslušných vodicích drážek (viz obrázek), sloužících k zasunutí prostorných nádob nebo potravin. Nastavení výšky nevyžaduje úplné

vytažení police.

Ukazatel **TEPLoty***: k určení nejchladnější zóny chladničky.

1. Zkontrolujte, zda je na ukazateli dobře viditelný nápis OK (viz obrázek).



2. Když se nezobrazí nápis OK, znamená to, že je teplota příliš vysoká: nastavte otočný knoflík REŽIMU ČINNOSTI CHLADNIČKY do jedné z vyšších poloh (odpovídajících vyššímu chladu) a vyčkejte přibližně 10 h až po stabilizaci teploty.
3. Opětovně zkontrolujte ukazatel: dle potřeby přistupte k novému nastavení. Je zcela běžným jevem, že po vložení velkého množství potravin nebo po častém .

otevírání chladničky ukazatel nezobrazuje OK. Před nastavením otočného knoflíku REŽIMU ČINNOSTI CHLADNIČKY do vyšší polohy vyčkejte nejméně 10 h

Optimální způsob použití mrazničky

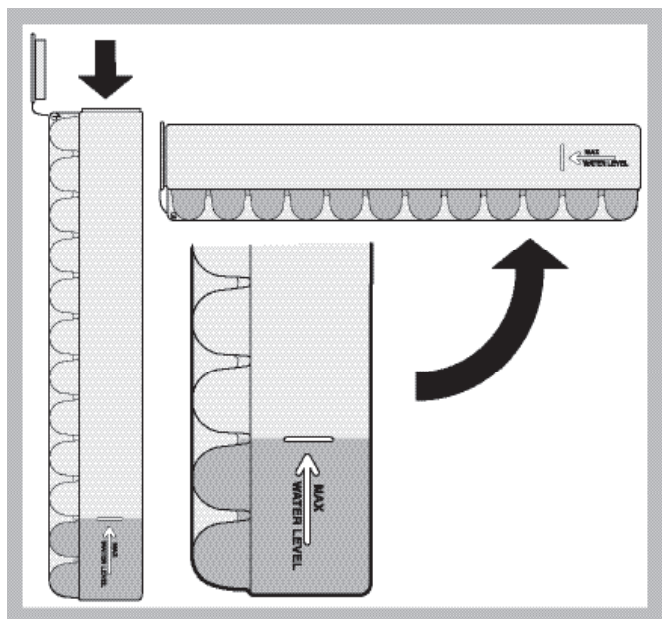
- Nezmrazujte znovu potraviny, které se rozmrazují nebo již jsou rozmrazeny; tyto potraviny je třeba uvařit a následně zkonsumovat (do 24 hodin).
- Čerstvé potraviny určené ke zmrazení nesmí být umístěny spolu se zmrazenými potravinami; je třeba je umístit na mřížku nad mrazicím oddělením, dle možnosti tak, aby se dotýkaly stěn (bočních a zadní), kde teplota klesá pod $-18\text{ }^{\circ}\text{C}$ a kde je zaručena dobrá rychlost zmrazení.
- Nevkládejte do mrazničky uzavřené nebo hermeticky utěsněné skleněné láhve obsahující tekutiny. Mohlo by dojít k jejich roztržení.
- Maximální denní množství potravin ke zmrazení je uvedeno na identifikačním štítku, umístěném v levé dolní části chladicího prostoru (například: Kg/24h 4).
- Pokud chcete získat více místa v mrazicím prostoru, můžete vybrat zásuvky z jejich uložení (kromě nejnižší zásuvky a případně zásuvky COOL CARE ZONE s proměnlivou teplotou) a uložit potraviny přímo na výparníkové desky.

! Během zmrazování potravin neotvírejte dvířka mrazničky.
 ! V případě přerušení dodávky elektrického proudu nebo při výskytu závady neotvírejte dvířka mrazničky: použitím uvedeného postupu lze uchovat mražená a zmražená jídla beze změny jejich vlastností přibližně 9-14 hodin.
 ! Pokud během delší doby zůstane teplota prostředí nižší než $14\text{ }^{\circ}\text{C}$, nebude zcela dosaženo teplot potřebných pro dlouhodobou konzervaci potravin v mrazicím prostoru, a proto bude období konzervace kratší.

Miska na led

Skutečnost, že je umístěna na horní straně zásuvek uložených v mrazicím prostoru, zajišťuje větší čistotu (led se tak již nedostává do styku s potravinami) a ergonomii (při plnění neodkapává).

1. Svytáhněte misku jejím zatlačením směrem nahoru. Zkontrolujte, zda je miska zcela prázdná, a naplňte ji vodou prostřednictvím příslušného otvoru.
2. Dbejte přitom, aby nedošlo k překročení vyznačené úrovně (MAX WATER LEVEL). Příliš velké množství vody brání uvolňování kousků ledu (když se tak stane, vyčkejte na rozpuštění ledu a vyprázdněte misku).
3. Otočte misku o 90° : voda naplní formy na základě principu spojených nádob (viz obrázek).
4. Zavřete otvor víkem z dotace a uložte misku tak.
5. Po vytvoření ledu (minimální potřebná doba je 8 hodin) udeřte miskou o tvrdou plochu a namočte její vnější část za účelem oddělení kousků ledu; vyprázdněte je otvorem.



Vypnutí přívodu elektrického proudu

Během čištění a údržby je třeba odizolovat zařízení od napájecího přívodu odpojením zástrčky ze zásuvky. K odstranění nebezpečí zásahu elektrickým proudem nestačí nastavit otočný knoflík regulace teploty do polohy ● (vypnuté zařízení).

Vyčištění zařízení

- Vnější a vnitřní části i pryžová těsnění je možné čistit houbou navlhčenou ve vlažné vodě a bikarbonátu sodném nebo neutrálním mýdle. Nepoužívejte rozpouštědla, abrazivní prostředky, bělidlo ani amoniak.
- Vyjímatelné příslušenství může být namočeno v teplé vodě s mýdlem nebo čistícím prostředkem na nádobí. Opláchněte je a důkladně osušte.
- Zadní strana zařízení má tendenci pokrýt se prachem, který je možné po vypnutí zařízení a po odpojení zástrčky ze zásuvky elektrického rozvodu opatrně odstranit, a to dlouhým nástavcem vysavače, nastaveného na střední výkon.

Zabránění tvorbě plísní a nepříjemných zápachů

- Zařízení bylo vyrobeno z hygienicky nezávadných materiálů, které nepřenášejí zápachy. Za účelem zachování této vlastnosti je třeba, aby byla jídla neustále chráněna a řádně uzavřena. Zabráni se tak tvorbě skvrn.
- V případě předpokládané dlouhodobé nečinnosti zařízení vyčistěte jeho vnitřek a nechejte otevřená dvířka.

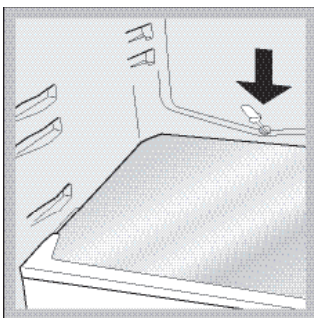
Odstranění námrazy ze zařízení

! Dodržujte níže uvedené pokyny.
K odmrazování zařízení nepoužívejte ostré a zahrocené předměty, které by mohly trvale poškodit chladicí okruh.

Odstranění námrazy z chladicího prostoru

Chladnička je vybavena systémem automatického odstraňování námrazy: Voda je odváděna směrem k zadní části příslušným vypouštěcím otvorem (viz obrázek), kde se za pomoci tepla uvolňovaného z kompresoru odpaří. Jediná operace, kterou musíte pravidelně provádět,

spočívá ve vyčištění vypouštěcího otvoru s cílem zabezpečit plynulý odvod vody.



Odstranění námrazy z mrazicího prostoru

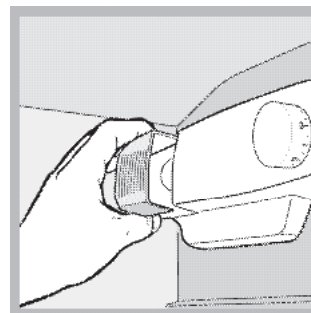
Když je vrstva námrazy vyšší než 5 mm, je třeba provést její manuální odstranění:

1. Nastavte otočný knoflík REGULACE TEPLoty do polohy ●.
2. Zabalte mražené i zmražené potraviny do listů papíru a uložte je na chladné místo.
3. Nechte pootevřená dvířka až do úplného rozpuštění námrazy; urychlete operaci umístěním nádob s vlažnou vodou do mrazicího prostoru.
4. Před opětovným zapnutím zařízení důkladně vyčistěte a osušte mrazicí prostor.
5. Před vložením jídel do mrazničky vyčkejte přibližně 2 hodiny, aby se obnovily ideální podmínky pro konzervaci.

Výměna žárovky

Při výměně žárovky osvětlení chladicího prostoru odpojte zástrčku ze zásuvky elektrického rozvodu. Řiďte se níže uvedenými pokyny.

Přístup k žárovce po odstranění ochranného krytu způsobem naznačeným na obrázku. Vyměňte ji za obdobnou, s příkonem uvedeným na ochranném krytu (15 W nebo 25 W).



Opatření a rady

CZ

! Toto zařízení bylo navrženo a vyrobeno ve shodě s mezinárodními bezpečnostními předpisy. Tato upozornění jsou uváděna z bezpečnostních důvodů a musí být pozorně přečtena.



Tento spotřebič je ve shodě s následujícími směrnicemi Evropské unie:

- 72/23/EHS z 19/02/73 (Nízké napětí) ve znění pozdějších předpisů;
- 89/336/EHS z 03/05/89 (Elektromagnetická kompatibilita) ve znění pozdějších předpisů;
- 2002/96/CE.



Základní bezpečnostní opatření

- Zařízení bylo navrženo pro neprofesionální použití v domácnosti.
- Zařízení musí být používáno k uložení a ke zmrazování jídel, pouze dospělými osobami, dle pokynů uvedených v tomto návodu.
- Zařízení nesmí být nainstalováno na otevřeném prostoru, a to ani v případě, jedná-li se o prostor krytý přístřeškem; jeho vystavení dešti a bouřkám je velice nebezpečné.
- Nedotýkejte se zařízení bosýma nohama nebo mokřýma rukama či nohama.
- Nedotýkejte se vnitřních chladicích součástí: existuje nebezpečí popálení nebo poranění.
- Neodpojujte zástrčku ze zásuvky elektrického rozvodu potáhnutím za kabel, ale řádným uchopením zástrčky.
- Před zahájením čištění a údržby je třeba odpojit zástrčku ze zásuvky elektrického rozvodu. K odstranění nebezpečí zásahu elektrickým proudem nestačí nastavit otočný knoflík REGULACE TEPLoty do polohy ● (vypnuté zařízení).
- Při výskytu závady v žádném případě nezasahujte do vnitřních mechanismů ve snaze ji odstranit.
- Uvnitř jednotlivých prostor určených ke konzervaci mražených potravin nepoužívejte ostré a zahrocené předměty ani elektrická zařízení, která nejsou doporučena výrobcem.
- Nevkládejte si do úst kostky ledu, které byly právě vytaženy z mrazničky.
- Toto zařízení se považuje za nevhodné pro použití ze strany osob (včetně dětí) se sníženými fyzickými, sensorickými nebo duševními schopnostmi nebo osob bez zkušeností a znalostí, s výjimkou případu, kdy jsou pod dohledem osoby zodpovědné za jejich bezpečnost ohledně použití zařízení. Děti by měly být neustále pod dohledem, aby se zajistilo, že si nehrají se zařízením.
- Obaly nejsou hračkami pro děti.

Likvidace

- Likvidace obalového materiálu: dodržujte místní předpisy za účelem opětovného využití obalů.
- Evropská směrnice 2012/19/EU o odpadních elektrických a elektronických zařízeních stanovuje, že staré domácí elektrické spotřebiče nesmí být odkládány do běžného netříděného domovního odpadu. Staré spotřebiče musí být odevzdány do odděleného sběru, a to za účelem recyklace a optimálního využití materiálů, které obsahují, a z důvodu předcházení negativním dopadům na lidské zdraví a životní prostředí. Symbol "přeškrtnuté popelnice" na výrobku vás upozorňuje na povinnost odevzdat zařízení po skončení jeho životnosti do odděleného sběru. Spotřebitelé by měli kontaktovat příslušné místní úřady nebo svého prodejce ohledně informací týkajících se správné likvidace starého zařízení.

Úspora energií a ochrana životního prostředí

- Nainstalujte zařízení do chladného a dobře větraného prostředí, nevystavujte jej působení přímého slunečního světla a neumísťujte jej do blízkosti zdrojů tepla.
- Při vkládání a vyjímání potravin udržujte dvířka co nejméně otevřená. Každé otevření dvířek způsobuje výrazný únik energie.
- Nenaplňujte zařízení nadměrným množstvím potravin: dobrá konzervace je podmíněna volným pohybem chladu. Když se zabrání cirkulaci, kompresor bude pracovat nepřetržitě.
- Nevkládejte ještě teplá jídla: zvýšila by vnitřní teplotu a přinutila kompresor k nadměrnému výkonu, provázenému plýtváním elektrickou energií.
- V případě vytvoření námrazy odmrázte zařízení (viz *Údržba*); vrstva ledu o velké tloušťce způsobuje obtížné odevzdávání chladu potravinám a zvyšuje spotřebu energie.
- Udržujte těsnění ve funkčním stavu a v čistotě, aby řádně doléhala na dvířka a neumožňovala únik chladu (viz *Údržba*).

Závady a způsob jejich odstranění

Může se stát, že zařízení nebude fungovat. Dříve, než se obrátíte na Servisní službu (viz *Servisní služba*), s pomocí následujícího seznamu zkontrolujte, zda se nejedná o snadno odstranitelný problém.

Závady:

Nedochází k rozsvícení žárovky vnitřního osvětlení.

Chladnička a mraznička chladí nedostatečně.

Potraviny v mrazničce se zmrazují příliš.

Motor zůstává v chodu bez přerušení.

Zařízení vydává nadměrný hluk.

Teplota některých vnějších částí chladničky je vysoká.

Na zadní stěně chladničky se nachází námraza nebo kapky vody.

Na dně chladničky se nachází voda.

Nadměrná vlhkost nebo led v zadní části chladničky.

Teplá chladnička.

Možné příčiny / Způsob odstranění:

- Zástrčka není zastrčena do zásuvky elektrického rozvodu nebo řádně nedoléhá nebo byla přerušena dodávka elektrického proudu v celém bytě/ domě.

- Dvířka řádně nedoléhají nebo jsou poškozena těsnění.
- Dvířka jsou otevírána příliš často.
- Otočný knoflík REGULACE TEPLoty se nenachází ve správné poloze;
- Chladnička nebo mraznička je příliš naplněna;
- Teplota pracovního prostředí výrobku je nižší než 14 °C.

- Otočný knoflík REGULACE TEPLoty se nenachází ve správné poloze;
- Potraviny se dotýkají zadní stěny.

- Dvířka nejsou správně zavřena nebo jsou otevírána příliš často.
- Teplota vnějšího prostředí je příliš vysoká.
- Tloušťka námrazy přesahuje 2-3 mm (viz *Údržba*).

- Zařízení nebylo řádně uvedeno do vodorovné polohy (viz *Instalace*).
- Zařízení bylo nainstalováno mezi kusy nábytku nebo předměty, které vibrují a vydávají hluk.
- Chladicí plyn uvnitř zařízení produkuje lehký hluk i při zastaveném kompresoru: nejedná se o závadu, ale o zcela běžný jev.

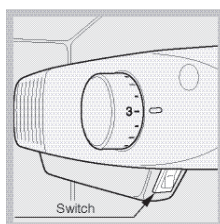
- Vysoké teploty jsou potřebné k zabránění tvorby kondenzátu ve specifických zónách výrobku.

- Jedná se o běžný projev činnosti výrobku.

- Vypouštěcí otvor pro odvod vody je ucpan (viz *Údržba*).

- Když dveře skladovacího prostoru zůstanou otevřené příliš dlouhou dobu, může docházet ke vzniku nadměrné vlhkosti nebo ledu. K vyřešení problému dojde bezprostředně po zavření dvířek, které umožní odmrazení skladovacího prostoru a odstranění přítomné vlhkosti. Jedná se o běžnou situaci z hlediska chladicí funkce skladovacího prostoru, zejména v letním období.

- Když je teplota prostředí rovná nebo nižší než 16°C, například v případě, že je chladnička nainstalována v garáži nebo na otevřeném prostoru, správná činnost chladničky vyžaduje, aby se vypínač nacházel v poloze **ON (ZAP)**.



CZ

Dříve, než se obrátíte na servisní službu:

- Zkontrolujte, zda zjištěnou závadu nemůžete odstranit vy sami (viz *Závady a způsob jejich odstranění*).
- Jestliže zařízení ani po všech provedených kontrolách nefunguje a zjištěná závada přetrvává, obraťte se na nejbližší Servisní středisko.

Uveďte:

- druh závady
- model vašeho spotřebiče (Mod.)
- výrobní číslo (S/N)

Tyto informace jsou uvedeny na identifikačním štítku umístěném v levé dolní části chladničky.

model				výrobní číslo			
Mod.	RG 2330	TI	90139 180000	S/N	704211901		
Total	340	75					
Gross Bruto Brut		Gross Bruto Brut		Gross Bruto Brut		Gross Bruto Brut	
Compr. Syst.	R 134 a	T+st	High-285				
Kompr.	kg 0,090	P.S.L	LOW 140				
Mod. in Italy	13913						

Nikdy nesvěřujte opravu neautorizovanému technickému personálu a nepřipusťte instalaci jiných než originálních náhradních dílů.

Használati útmutató

KOMBINÁLT HŰTŐ/FAGYASZTÓSZEKRÉNY

HU



English, 1



Deutsch, 11



Français, 21



Italiano, 31



Espanol, 41



Portuges, 51



Hrvatski, 61



Česky, 71



Magyar, 81



Polski, 91



Română, 101



Srpski, 111



Slovenčina, 121

CA 55 xx

CAA 55 xx

NCAA 55 xx

Tartalom

Beszereles, 82-83

Elhelyezés és csatlakoztatás
Ajtónyitás-irány változtatás

A készülék leírása, 84

Áttekintés

Üzembe helyezés és használat, 85-86

A készülék üzembe helyezése
A hűtőszekrény legjobb kihasználása
A fagyasztószekrény legjobb kihasználása

Karbantartás és védelem, 87

A készülék kikapcsolása
A készülék tisztítása
A penész és a kellemetlen szagok kialakulásának megelőzése
A készülék dértelenítése
A lámpa cseréje

Óvintézkedések és tanácsok, 88

Általános biztonság
Leselejtezés
Takarékoskodás és környezetvédelem

Hibaelhárítás, 89

Szervizszolgálat, 90

! Hogy bármikor utána nézhessen a készülékkel kapcsolatos kérdéseinek, fontos, hogy megőrizze a kézikönyvet. Abban az esetben, ha eladja, elajándékozza, vagy áthelyezi a készüléket, győződjön meg róla, hogy a készülékkel együtt továbbadja a használati útmutatót is, hogy az új tulajdonos tájékozódhasson a készülék üzemeltetéséről és a működésére vonatkozó figyelmeztetésekről.

! Olvassa el figyelmesen az utasításokat: fontos információkat talál benne az üzembe helyezésről, a használatról és a biztonságról.

Elhelyezés és csatlakoztatás

Elhelyezés

1. A készüléket jól szellőző, száraz környezetben helyezze el.
2. Ne takarja el a hátsó hűtőrácsokat: a kompresszor és a kondenzátor hő bocsátanak ki és a megfelelő működéshez és az áramfogyasztás mérsékléséhez jó szellőzésre van szükségük.
3. Hagyjon legalább 10 cm távolságot a készülék teteje és a föllette esetleg elhelyezett bútorok között, valamint legalább 5 cm helyet az oldalak és a bútorok/oldalfalak között.
4. Ne tegye a készüléket hőforrás közelébe (közvetlen napsugárzás, elektromos tűzhely).
5. Ahhoz, hogy megmaradjon az optimális távolság a készülék és a hátsó fal között, szerelje fel a készülékben található ütközőt az ahhoz tartozó útmutató instrukcióit követve.

Vízszintezés

1. A készüléket sima, szilárd padlózatra helyezze.
2. Ha a padlózat nem lenne tökéletesen vízszintes, az egyetlen első állítható láb ki-, illetve becsavarásával állítsa be a készüléket.

Elektromos csatlakoztatás

Leszállítás után helyezze a készüléket függőleges helyzetbe és várjon legalább 3 órát, mielőtt bedugná a konnektorba. Mielőtt a villásdugót bedugja a csatlakozóaljzatba, győződjön meg róla, hogy:

- a konnektor földelve van és a törvényi előírásoknak megfelel;
- a konnektornak bírnia kell a készülék maximális terhelési teljesítményét, mely a készülék tulajdonságait tartalmazó, a hűtőrészben balra lent elhelyezett kis fémlapon van feltüntetve (pl. 150 W);
- a tápfeszültségnek a készülék tulajdonságait tartalmazó, balra lent elhelyezett kis fémlapon feltüntetett értéktartományon belül kell lennie (pl. 220-240 V);
- a konnektornak és a készülék villásdugójának összeillőnek kell lennie.
Ellenkező esetben kérje a villásdugó kicserélését engedéllyel rendelkező szerelőtől (*lásd Szervizszolgálat*); ne használjon hosszabbítót vagy elosztót.

! A beszerelt készüléknél az elektromos vezetéknek és a konnektornak könnyen hozzáférhetőnek kell lennie.

! A vezeték nem hajolhat meg és nem lehet összenyomódva.

! A vezetéket rendszeresen ellenőrizni kell, cseréjét csak engedéllyel rendelkező szerelő végezheti el (*lásd Szervizszolgálat*).

! Amennyiben a fenti előírásokat nem tartják be, a gyártó elhárít minden felelősséget.

Ajtónyitás-irány változtatás

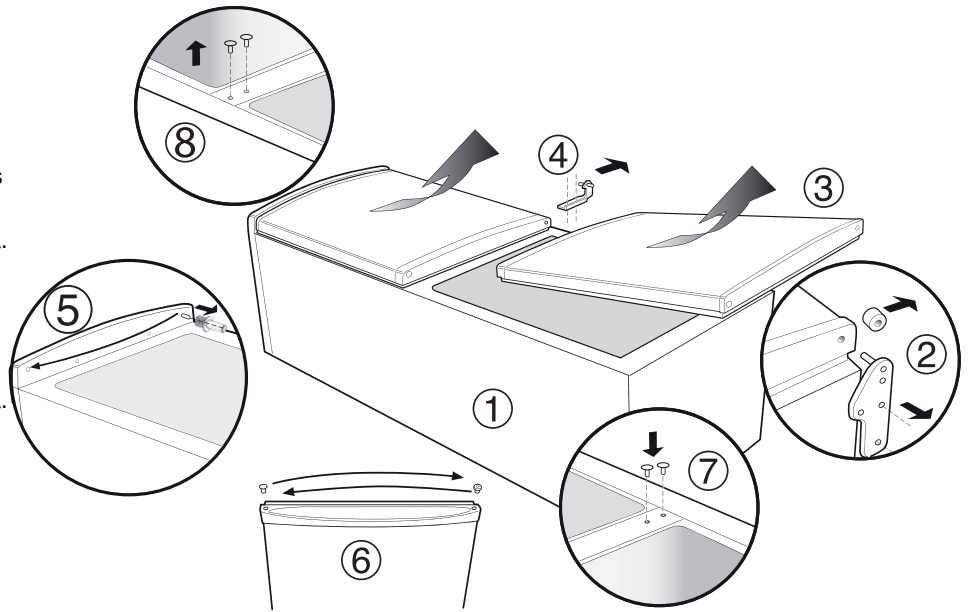
Figyelem! Mielőtt le próbálná venni az ajtókat, húzza ki a készülék dugóját a konnektorból.

Ennek a műveletnek a végzésekor tanácsos a készülék belsejében elhelyezett minden elemet/darabárut eltávolítani, és az élelmiszereket zárt tárolóedényekben elhelyezni.

Ahhoz, hogy a készülék hátsó részét gondosan, megfelelő védőanyagnak támassza (például az eredeti csomagolóanyagnak), segítségre lehet szüksége.

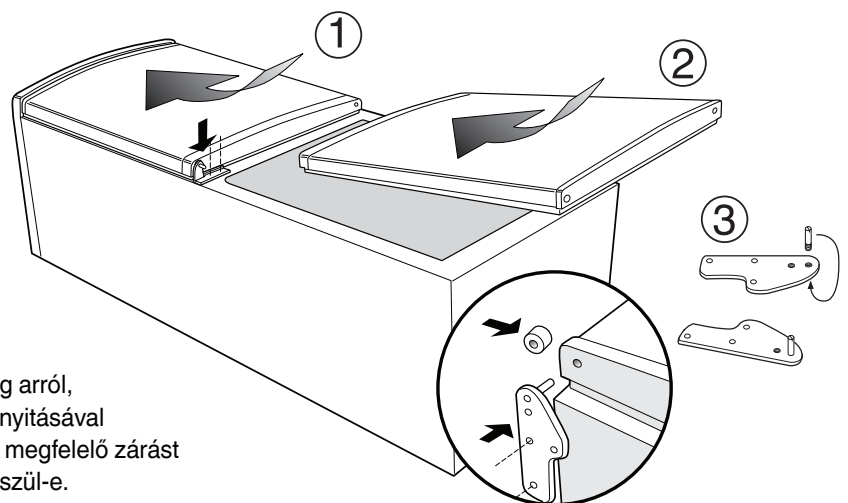
Az ajtók eltávolítása

1. A készülék ráhelyezése a hátsó részre.
2. Csavarozza ki, vegye le, és tegye félre az alsó csuklós pántot.
3. Nyissa ki résnyire az alsó ajtót, és csúsztassa lefelé; vegye le, majd óvatosan támassza az oldalára.
4. Vegye le a középső csuklós pántot és a távtartó, ha van. Nyissa ki résnyire a felső ajtót, és csúsztassa lefelé; vegye le, majd óvatosan támassza az oldalára.
5. A csapot távolítsa el, és rögzítse a szemközti oldalon.
6. A felső és alsó csuklós pántok perselyeinek, valamint a tengelycsapoknak az ajtókból való eltávolításához használjon finom, tompa eszközt ügyelve arra, nehogy megkaristolja a fogantyút. Illessze vissza a tengelycsapokat és a perselyeket a másik oldalon.
7. Tegye be a mellékelt tengelycsapokat a jobb oldali, középső csuklós pánt furataiba.
8. Mielőtt a zsanér át helyezze a jobb oldalról a bal oldalra, a jobb oldali panelen található csavart ki kell csavarnia, majd a zsanér át helyezése után a csavart át kell szerelnie a baloldali panelre.



Az ajtók visszahelyezése

1. Csúsztassa a felső ajtót fölfelé, és helyezze be a felső tengelycsapot az ajtó perselyébe. Illessze vissza a középső csuklós pántot a másik oldalon.
2. Óvatosan csúsztassa a középső tengelycsapra, a másik felé az alsó ajtót.
3. Csavarozza ki az alsó tengelycsapot, és illessze vissza a másik oldalon.
4. Rögzítse az alsó csuklós pántot, ügyelve arra, hogy az ajtó párhuzamos legyen a bútorral.
5. Függőleges helyzetben óvatosan állítsa a készüléket a kívánt helyre, és győződjön meg arról, hogy megfelelően vízszintben van. Az ajtó kinyitásával és becsukásával ellenőrizze, hogy a tömítés megfelelő zárását biztosít-e, és az ajtó zárt állapotában nem feszül-e.



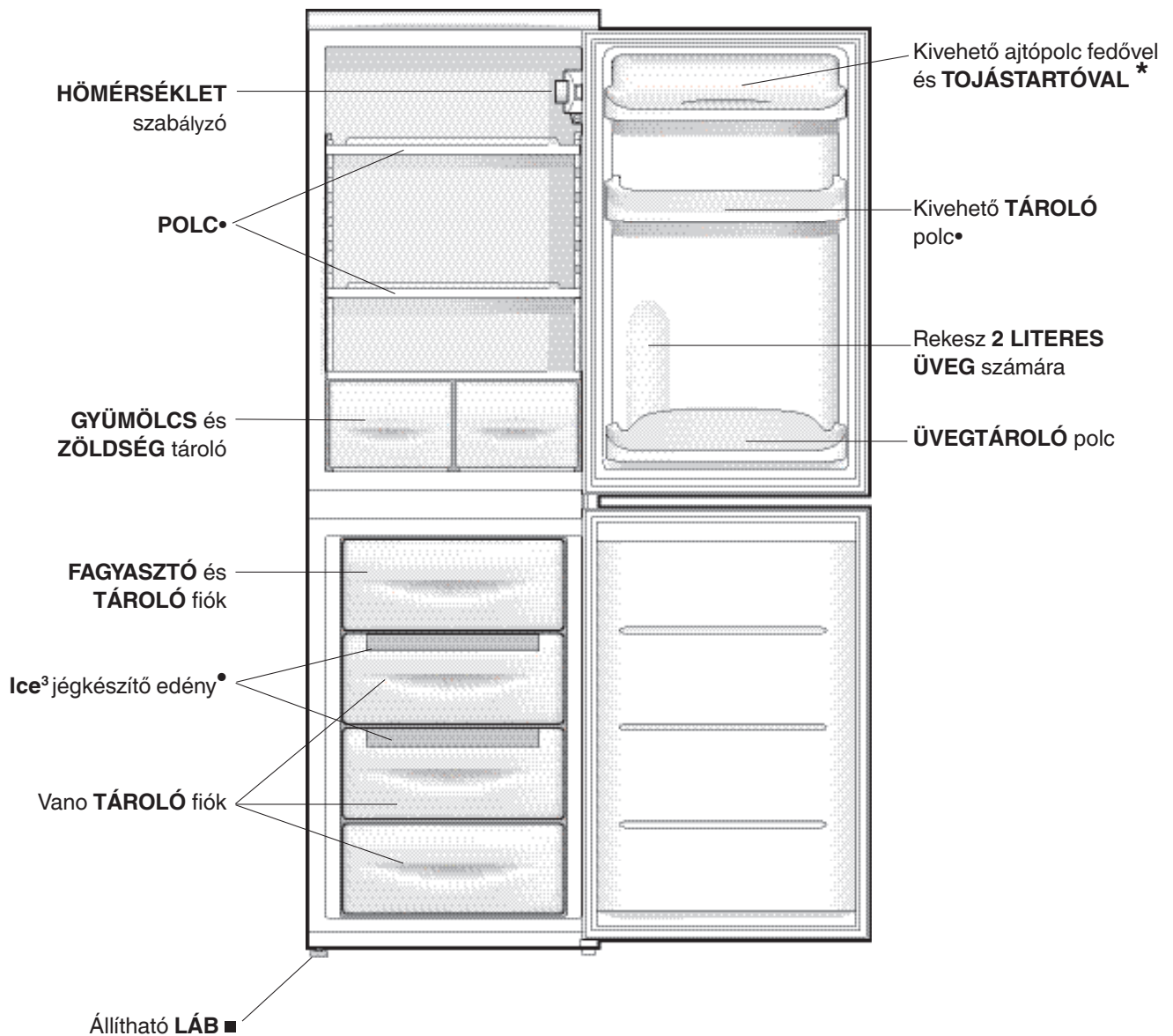
MEGJEGYZÉS: Tegye vissza a készülék belsejében elhelyezett elemeket/darabárukat, és a készülék visszakapcsolása előtt várjon 15 percet.

A készülék leírása

HU

Áttekintés

A használati útmutató különböző modellekre érvényes, ezért előfordulhat, hogy az ábra bizonyos részletekben eltér az Ön által megvásárolt készüléktől. Az összetettebb részek leírását a következő oldalakon találja meg.



■ A készüléknek csak egyetlen állítható lába van.

• A szám és/vagy elhelyezkedés eltérő lehet.

* Csak bizonyos modelleknél található meg.

Üzembe helyezés és használat

A készülék üzembe helyezése

! Mielőtt a készüléket üzembe helyezi, kövesse a beszerelési utasításokat (lásd Beszerelés).

! Mielőtt csatlakoztatja a készüléket, tisztítsa meg jól a rekeszeket és a tartozékokat langyos vízzel és bikarbonáttal.

1. Dugja a villásdugót a konnektorba és győződjön meg róla, hogy a belső lámpa felkapcsolódik.
2. Tekerje a HŐMÉRSÉKLET SZABÁLYZÓ tekerőgombot középső állásba. Néhány óra elteltével beteheti az élelmiszereket a hűtőszekrénybe.

A hűtőszekrény legjobb kihasználása

A hűtőrész belsejének hőmérséklete automatikusan szabályozódik a termosztát gombjával beállított állásnak megfelelően.

1 = melegebb

5 = hidegebb

A középső állást javasoljuk

A hely és az elhelyezés megnövelése érdekében és esztétikai szempontok miatt, a készülék rendelkezik a hűtőrész hátulsó oldalának belsejében elhelyezett „hűtő rekesszel”. A készüléknek ezt a falát működés közben dér, vagy vízcseppek borítják aszerint, hogy a kompresszor üzemel vagy sem. Emiatt nem kell aggódnia. A hűtőszekrény megfelelően működik.

Ha a HŐMÉRSÉKLET SZABÁLYZÓ tekerőgombot magasabb értékekre állítja és nagy mennyiségű élelmiszert helyezett be, valamint a környezet hőmérséklete magas, lehet, hogy a készülék folyamatosan működni fog, ezzel túlzott dérképződést és áramfogyasztást okoz: ezt megelőzheti, ha a tekerőgombot alacsonyabb értékekre állítja (a dérmentesítés automatikusan megtörténik).

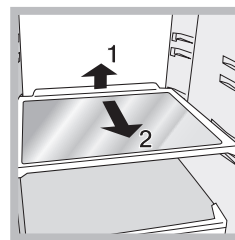
A statikus készülékeknél a levegő természetes módon kering: a nehezebb hidegebb levegő lefelé áramlik. Az élelmiszereket az alábbiaknak megfelelően helyezze el:

Étel	Elhelyezése a hűtőszekrényben
Tisztított hús és hal	A zültség és gyümölcs tároló rekesz felül
Frisz sajtok	A zültség és gyümölcs tároló rekesz felül
Főtt ételek	Bármelyik polcon
Felágott, csomagolt kenyér, csokoládé	Bármelyik polcon
Zültség és gyümölcs	Zültség, gyümöcslátkóban
Tejés	A megfelelő polcon
Vaj és magain	A megfelelő polcon
Dregek, üdítők, tej	A megfelelő polcon

- Ne tegyen meleg ételt a készülékbe, csak hideget vagy éppen langyosat (lásd Óvintézkedések és tanácsok).
- Ne feledje, hogy a főtt ételek nem állnak el tovább, mint a nyersék.
- Ne tegyen be folyadékot fedetlen edényben, mert azzal megemelné a készülékben a nedvességtartamot, ami kondenzvíz kiválásához vezet.

POLCOK: sima vagy rácsos.

A speciális síneknek köszönhetően kivethetőek és magasságuk állítható (lásd ábra), így nagyméretű edényeket vagy élelmiszereket is betehet.



HŐMÉRSÉKLET kijelző*: a hűtőszekrény leghidegebb részének meghatározására.

1. Ellenőrizze, hogy az OK felirat egyértelműen megjelenik-e a kijelzőn (lásd ábra).



2. Ha nem jelenik meg az OK felirat, az azt jelenti, hogy a hőmérséklet túl magas: állítsa a HÜTŐSZEKRENY MŰKÖDÉS tekerőgombot magasabb (hidegebb) állásba, majd várjon körülbelül 10 órát, amíg a hőmérséklet stabilizálódik.
3. Ellenőrizze ismét a kijelzőt: ha szükséges, ismét állítsa be. Ha nagymennyiségű élelmiszert helyezett be, vagy a hűtőszekrény ajtaját gyakran kinyitja, normális, ha a kijelzőn nem jelenik meg az OK felirat. Várjon legalább 10 órát, mielőtt a HÜTŐSZEKRENY MŰKÖDÉS tekerőgombot magasabb értékekre állítja.

A fagyasztószekrény legjobb kihasználása

- Ne fagyasszon újra kiolvadó vagy kiolvadt élelmiszereket; azokat az elfogyasztáshoz meg kell főzni (24 órán belül).
- A friss fagyasztható élelmiszereket úgy helyezze el, hogy ne érjenek a már lefagyasztottakhoz; helyezze azokat a fagyasztó rész rácsa fölé, lehetőleg közvetlenül a (oldalsó és hátsó) fal mellé, ahol a hőmérséklet -18°C alatt van és megfelelő gyorsaságú lefagyasztást garantál.
- Ne tegyen a fagyasztóba folyadékot tartalmazó, bedugaszolt, vagy hermetikusan lezárt üvegeket, mert azok eltörhetnek.
- A naponta lefagyasztható maximális élelmiszer mennyiség fel van tüntetve a hűtőrésszben balra alul elhelyezett, a készülék tulajdonságait tartalmazó kis fémtáblán (például: Kg/24h 4).
- A rekeszek kivételével (kivéve a legalsó, valamint az esetleges változtatható hőmérsékletű COOL CARE ZONE rekeszeket) több helyet nyerhet a fagyasztóban. Az élelmiszerek közvetlenül a párologtató lemezekre helyezhetők el.

! A fagyasztás ideje alatt kerülje a fagyasztó ajtajának kinyitását.

! Áramszünet vagy meghibásodás esetén ne nyissa ki a fagyasztó ajtaját: így a mélyhűtött és fagyasztott élelmiszerek körülbelül 9-14 órán keresztül változatlanok maradnak.

! Ha a környezet hőmérséklete hosszú időn keresztül 14°C alatt marad, a fagyasztórészben nem alakul ki a hosszabb tároláshoz szükséges hőmérséklet és az ételek eltarthatósági ideje csökken.

Ice³ jégkészítő edény

Az, hogy a fagyasztórész fiókjainak felső részére helyezték, nagyobb tisztaságot biztosít (a jég nem kerül többé kapcsolatba az élelmiszerekkel) és ergonomiailag kedvezőbb (feltöltéskor nem csepeg mellé).

1. Felfelé nyomva vegye ki az edényt.

Ellenőrizze, hogy a tálca teljesen üres, majd a megfelelő nyíláson keresztül töltsse fel vízzel.

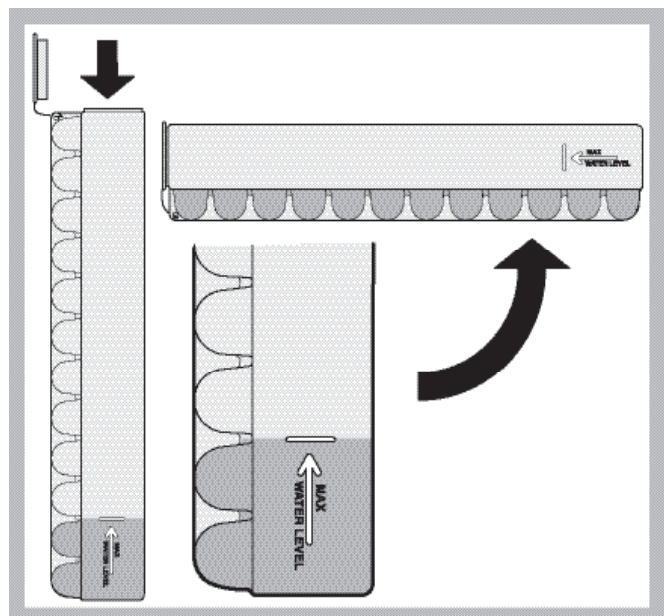
2. Ügyeljen rá, hogy ne lépje túl a jelzett szintet (MAX WATER LEVEL). A túl sok víz gátolja a jégdarabok kivételét (ha ez bekövetkezik, várja meg, hogy a jég kiolvadjon és ürítse ki a tálcát).

3. Fordítsa el a tálcát 90 fokkal: a víz a közlekedő edények törvényének megfelelően kitölti a formát (lásd ábra).

4. Zárja le a nyílást a mellékelt kupakkal és tegye vissza a tálcát úgy.

5. Amikor a jég kialakul (minimum körülbelül 8 óra)

ütögesse a tálcát egy kemény felülethez és nedvesítse meg a külsejét, hogy a jégdarabok leváljanak, majd vegye ki őket a nyíláson.



A készülék kikapcsolása

Takarítás és karbantartás előtt a készüléket ki kell húzni a konnektorból. A készülék teljes áramtalanításához nem elegendő a hőmérséklet szabályzó gombot ● (készülék kikapcsolva) állásra tekerni.

A készülék tisztítása

- A külső részek, a belső részek és a gumitömítések langyos vízzel és szódabikarbónával vagy semleges szappannal átítatott szivaccsal tisztíthatók. Ne használjon oldószert, súrolószert, fehéritőt vagy szalmiákszeszt.
- A kivehető részek meleg, szappanos, vagy mosogatószeres vízbe tehetőek. Óvatosan mossa le és szárítsa meg őket.
- A készülék hátoldalán por rakódhat le, amit óvatosan, a készülék kikapcsolása és kihúzása után, a porszívó hosszú csövével, a porszívót közepes erőre állítva, letisztíthat.

A penész és a kellemetlen szagok kialakulásának megelőzése

- A készülék olyan higiénikus anyagokból készült, melyek nem engedik át a szagokat. A tulajdonság megtartásához az szükséges, hogy az élelmiszereket mindig lefedje és jól lezárja. Ezzel elkerülheti a foltok kialakulását is.
- Abban az esetben, ha hosszabb időre szeretné lekapcsolni a készüléket, tisztítsa ki a belsejét és hagyja nyitva az ajtókat.

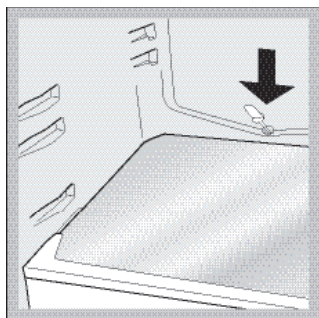
A készülék dértelenítése

! Tartsa be az alábbi utasításokat.

A készülék dértelenítéséhez ne használjon olyan vágó- és szúróeszközöket, melyek helyrehozhatatlanul tönkreteszik a hűtőkört!

A hűtőréssz dértelenítése

A hűtőszekrény automatikus dértelenítő rendszerrel van ellátva: a víz egy arra alkalmas levezető nyíláson keresztül a hátsó részek felé vezetődik (lásd ábra), ahol a



kompresszor által termelt hó elpárologtatja. Az egyetlen beavatkozás, amit rendszeresen el kell végeznie, a vízlevezető nyílás tisztítása, hogy a víz akadálytalanul el tudjon folyni.

A fagyasztórész dértelenítése

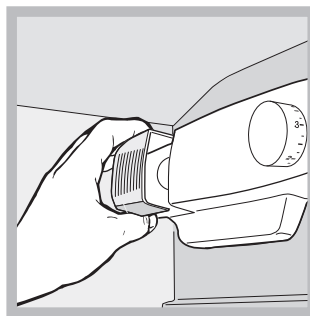
Ha a dérréteg meghaladja az 5 mm-es vastagságot, kézzel kell eltávolítani:

1. Tekerje a HŐMÉRSÉKLET SZABÁLYZÓ gombot ● állásba.
2. Tekerje a fagyasztott és mélyhűtött élelmiszereket papírba és tegye hűvös helyre.
3. Hagyja nyitva az ajtót addig, amíg a dér teljesen le nem olvad; ezt elősegítheti, ha a fagyasztórészbe langyos vizet tartalmazó edényt helyez.
4. Mielőtt újból bekapcsolja a készüléket, óvatosan tisztítsa ki és törölje szárazra a fagyasztórészt.
5. Mielőtt beteszi az ételleket a fagyasztórekeszbe, várjon körülbelül 2 órát az ideális konzerválási hőmérséklet helyreállása érdekében.

A lámpa cseréje

A hűtőréssz lámpájának cseréjéhez húzza ki a villásdugót a konnektorból. Kövesse az alábbi utasításokat.


A lámpához úgy fér hozzá, ha az ábrának megfelelő módon leveszi a burkolatot. Cserélje ki a védőburkolaton feltüntetett teljesítményű lámpára (15 W vagy 25 W).




Óvintézkedések és tanácsok

HU

! A készüléket a nemzetközi biztonsági szabványoknak megfelelően tervezték és gyártották. Az alábbi figyelmeztetések a biztonságra vonatkoznak, olvassa el figyelmesen!

 A készülék megfelel az alábbi uniós irányelveknek: /19-as 73/23/CEE (Alacsonyfeszültségi Direktíva) és az azt követő módosítások;

 -89/05/03-es 89/336/CEE (Elektromágneses kompatibilitás Direktíva) és az azt követő módosítások;

 - 2002/96/CE.

Általános biztonság

- A készüléket lakáson belüli, nem kereskedelmi, illetve ipari használatra szánták.
- A készüléket csak felnőttek használhatják a jelen kézikönyvben leírtaknak megfelelően élelmiszerek tárolására és fagyasztására.
- A készülék nem helyezhető üzembe nyitott helyen, még abban az esetben sem, ha a helyiséget tetővel fedték. A készüléket rendkívül veszélyes esőnek és viharok kiténni.
- Ne érjen a készülékhez mezítláb vagy nedves kézzel, illetve lábbal.
- Ne érjen a belső hűtőrészekhez: megsérülhet vagy égési sérülést szenvedhet.
- Ha a készüléket kihúzza, mindig a villásdugónál fogja meg és ne a vezetékét rángassa.
- A készülék takarításakor vagy karbantartáskor a villásdugót ki kell húzni a konnektorból. A készülék teljes áramtalanításához nem elegendő a HŐMÉRSÉKLET SZABÁLYZÓ gombot ● (készülék kikapcsolva) állásra tekerni.
- Meghibásodás esetén semmilyen körülmények között ne próbálja megjavítani a készülék belső szerkezetét.
- A fagyasztott élelmiszerek tárolására szolgáló rekeszekben ne használjon olyan vágó- és szűrőeszközöket, illetve elektromos készülékeket, melyeket a gyártó nem ajánl!
- Ne vegyen a szájába közvetlenül a fagyasztóból kivett jégkockát.
- A készüléket testileg, érzékszervileg vagy szellemileg korlátozott, nem hozzáértő, illetve a terméket nem ismerő személyek – a gyerekeket is ideértve – csak a biztonságukért felelős személyek felügyelete mellett, illetve a készülék használatával kapcsolatos alapvető utasítások ismeretében használhatják. Vigyázzon, hogy a gyerekek ne játsszanak a készülékkel.
- A csomagolóanyag nem játékszer.

Leselejtezés

- A csomagolóanyag kidobása: tartsa be a helyi elírásokat, így a csomagolóanyagot újra lehet hasznosítani.
- Az elektromos készülékek megsemmisítéséről szóló európai direktíva 2012/19/EU előírja, hogy a régi háztartási gépeket nem szabad a normál nem szelektív hulladékgyűjtési folyamat során összegyűjteni. A régi gépeket szelektíven kell összegyűjteni, hogy optimalizálni lehessen a bennük lévő anyagok újrahasznosítását és csökkenteni lehessen az emberi egészségre és környezetre gyakorolt hatásukat. Az áthúzott "szemeteskuka" jele emlékezteti Önt arra, hogy kötelessége ezeket a termékeket szelektíven összegyűjteni. A fogyasztóknak a helyi hatóságot vagy kereskedőt kell felkeresniük a régi háztartási gépek helyes elhelyezését illetően.

Takarékoskodás és környezetvédelem

- A készüléket hűvös, jól szellőző helyen állítsa fel, védje a közvetlen napsugárzástól és ne tegye hőforrás közelébe.
- Az élelmiszerek behelyezéséhez és kivételéhez a lehető legrövidebb időre nyissa ki a készülék ajtajait. Minden egyes ajtónyitás jelentős mennyiségű energiát fogyaszt el.
- Ne tegyen a készülékbe túl nagy mennyiségű élelmiszert: a megfelelő tartósításhoz a levegőnek szabadon kell áramolnia. Ha gátolja a levegő keringését, a kompresszor folyamatosan működni fog.
- Ne tegyen be meleg ételeket: megemelik a belső hőmérsékletet és a kompresszort nagy teljesítményre kényszerítik, ami nagy elektromos energia pazarlással jár.
- Mindig dértelenítse a készüléket, ha jég alakulna ki (lásd Karbantartás); a vastag jégréteg megnehezíti a hideg átadását az élelmiszereknek és megnöveli az energiafogyasztást.
- A tömitéseket ellenőrizze és tartsa tisztán úgy, hogy jól illeszkedjenek az ajtókhöz és ne engedjék ki a hideget (lásd Karbantartás).

Előfordulhat, hogy a készülék nem működik. Mielőtt szerelőt hívna (lásd Szervizszolgálat), ellenőrizze az alábbi lista segítségével, hogy nem könnyen megszüntethető hibáról van-e szó.

HU

Hiba:

Lehetséges ok / Megoldás:

A belső lámpa nem kapcsolódik fel.

- A villásdugó nincs bedugva, vagy nincs eléggé benyomva a konnektorba, esetleg nincs áram a lakásban.

A hűtőszekrény és a fagyasztó nem hűt eléggé.

- Az ajtók nem csukódnak jól vagy a tömítések megsérültek.
- Az ajtókat túl gyakran nyitják ki:
- A HŐMÉRSÉKLET SZABÁLYZÓ gomb nincs megfelelő helyzetben:
- A hűtőszekrényt, vagy a fagyasztót túlzottan telepakolta:
- A készülék környezetének hőmérséklete 14°C alatt van.

A hűtőszekrényben az élelmiszerek megfagnak.

- A HŐMÉRSÉKLET SZABÁLYZÓ gomb nem megfelelő helyzetben van:
- Az élelmiszerek hozzáérnek a hátsó falhoz.

A motor állandóan megy.

- Az ajtó nincs jól becsukva, vagy gyakran nyitogatják:
- A külső hőmérséklet túl magas:
- A dérréteg vastagsága meghaladja a 2-3 mm-t (lásd Karbantartás).

A készülék túlságosan zajos.

- A készülék nem vízszintesen lett elhelyezve (lásd Beszerelés):
- A készülék vibráló, zajkeltő bútorok vagy tárgyak közé lett helyezve:
- A belső fagyasztógáz halk hangot ad akkor is, ha a kompresszor áll: ez normális jelenség, nem hiba.

A hűtőszekrény néhány külső alkatrészének hőmérséklete magas.

- A magasabb hőmérséklet ahhoz szükséges, hogy a készülék bizonyos részein a kondenzvíz kialakulása elkerülhető legyen.

A hűtőszekrény fagyasztórészének alsó oldalán dér vagy vízcseppek vannak.

- Ez hozzátartozik a készülék normál működéséhez.

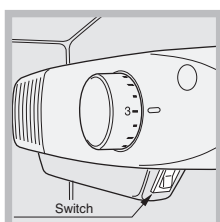
A hűtőszekrény aljában áll a víz.

- A vízlevezető nyílás el van tömődve (lásd Karbantartás).

Nedvesség vagy túlzott jegesedés a hűtőszekrény hátoldalán.

- A tárolórekesz túl hosszú ideig történő nyitvatartása túlzott jégképződéssel járhat. A probléma az ajtó becsukásával meg fog oldódni, mert így lehetővé teszi a készülék számára a tárolórekesz dértelenítését, ezáltal a jelen lévő nedvesség eltávolítását. Ez normális, a tárolórekesz hűtésével együtt járó jelenség, különösen a nyári időszakban.

Meleg hűtőszekrény.



- Amennyiben a környezeti hőmérséklet nem haladja meg a 16 °C-ot, például, ha a hűtőszekrény garázsban, vagy nyitott helyiségben van elhelyezve, a hűtőszekrény megfelelő működése érdekében a kapcsolónak **BE** helyzetben kell lennie .

HU

Mielőtt szerelőhöz fordulna:

- Ellenőrizze, hogy a hibát nem tudja-e elhárítani (*lásd Hibaelhárítás*).
- Ha, minden ellenőrzés ellenére, a készülék nem működik és a hiba továbbra is fennáll, hívja a legközelebbi Márkaszervizet.

Adja meg az alábbiakat:

- a hiba típusa
- a készülék modellje (Mod.)
- sorozatszám (S/N)

Ezeket az információkat a hűtőrészen alul balra elhelyezett, a készülék tulajdonságait tartalmazó kis fémtáblán találja meg.

modell				sorozatszám			
Mod.	RG 2320	TI	Csod	93139190000	S/N	704211801	
Tel	340	Net	75				
Gross		Gross	Net	Gross	Prod	Cap	Clas
Bruto		Bruto	Utl	Bruto	er	Co	++
Brut		Brut	Utl	Brut	g	ng	++
Comp	R 154	Te	Pr				
Syst		Komp	kg	0,690	P-S4	LOW	140
Mod	in	Italy	1998				

Ne forduljon nem hivatalos szerelőhöz és utasítsa vissza a nem eredeti alkatrészek beszerelését.

Instrukcja obsługi

LODÓWKO - ZAMRAŻARKA

PL

GB

English, 1

DE

Deutsch, 11

F

Français, 21

I

Italiano, 31

E

Espanol, 41

P

Portuges, 51

HR

Hrvatski, 61

CZ

Česky, 71

HU

Magyar, 81

PL

Polski, 91

RO

Română, 101

SR

Srpski, 111

SK

Slovenčina, 121

CA 55 xx

CAA 55 xx

NCAA 55 xx

Spis treści

Instalowanie, 92-93

Ustawienie i podłączenie

Zmiana kierunku otwierania drzwi

Opis urządzenia, 94

Widok ogólny

Uruchomienie i użytkowanie, 95-96

Włączenie urządzenia

Najlepszy sposób użytkowania lodówki

Najlepszy sposób użytkowania zamrażarki

Konserwacja i utrzymanie, 97

Odłączenie prądu elektrycznego

Mycie urządzenia

Unikanie pleśni i nieprzyjemnych zapachów

Usuwanie oblodzenia w lodówko-zamrażarce

Wymiana żarówki

Zalecenia i środki ostrożności, 98

Ogólne zasady bezpieczeństwa

Usuwanie odpadów

Oszczędność i ochrona środowiska

Anomalie i ich usuwanie, 99

Serwis, 100

Instalacja

PL

! Należy zachować niniejszą książeczkę instrukcji dla przyszłych konsultacji. W razie sprzedaży, odsprzedaży, czy przeniesienia urządzenia w inne miejsce należy upewnić się, by przekazane została ono razem z instrukcją, aby nowy właściciel zapoznać się mógł z działaniem urządzenia i z odnośnymi informacjami.

! Należy uważnie przeczytać instrukcję obsługi gdyż zawiera ona ważne informacje dotyczące instalacji oraz właściwego i bezpiecznego użytkowania urządzenia.

Ustawienie i podłączenie

Ustawienie

1. Ustawić lodówko-zamrażarkę w pomieszczeniu przewiewnym i nie wilgotnym.
2. Nie zasłaniać kratki wentylacyjnych: sprężarka i skraplacz wytwarzają ciepło i wymagają dobrego przewiewu powietrza w celu właściwego funkcjonowania i oszczędności energii elektrycznej.
3. Pomiedzy górną częścią urządzenia i ewentualnymi meblami pozostawić co najmniej 10 cm, a co najmniej 5 cm pomiędzy ściankami bocznymi i meblami.
4. Lodówko-zamrażarkę ustawiać daleko od źródeł ciepła (promieni słonecznych, kuchenki elektrycznej).
5. Aby utrzymać optymalną odległość produktu od ściany mieszkania należy zamontować odpowiednie części odległościowe, które znajdują się na wyposażeniu i według instrukcji.

Wypoziomowanie

1. Ustawić lodówko-zamrażarkę na podłodze płaskiej i sztywnej.
2. Jeśli podłoga nie jest dokładnie pozioma, wyrównać różnicę, odkręcając lub przykręcając przednią nóżkę regulacyjną.

Podłączenie do sieci elektrycznej

Po transporcie ustawić lodówko-zamrażarkę w pozycji pionowej, a podłączyć do sieci elektrycznej dopiero po 3 godzinach. Przed włożeniem wtyczki do gniazdka sprawdzić, czy:

- gniazdko posiada odpowiednie uziemienie i zgadza się z obowiązującymi przepisami;
- wtyczka jest w stanie wytrzymać maksymalne obciążenie mocy lodówko-zamrażarki, jaka jest wskazana na tabliczce znamionowej, znajdującej się po lewej stronie u dołu w komorze lodówki (na przykład 150W);
- napięcie zasilania musi zawierać się w wartościach podanych na tabliczce znamionowej, znajdującej się u dołu, po lewej stronie (na przykład 220-240V);
- gniazdko musi być kompatybilne z wtyczką urządzenia. W przeciwnym wypadku zażądać od autoryzowanego technika wymiany wtyczki (!> patrz Serwis); nie używać przedłużaczy lub rozgałęźników.

! Tak ustawić lodówko-zamrażarkę, aby przewód elektryczny i gniazdko prądu były łatwo dostępne. ! Kabla nie wolno zginać i uważać, aby nie został zgnieciony.

! Przewód elektryczny musi być okresowo sprawdzany i wymieniany jedynie przez autoryzowanych techników (patrz Serwis).

! W przypadku braku przestrzegania powyższych warunków producent zwolniony zostanie z wszelkiej odpowiedzialności.

Zmiana kierunku otwierania drzwi

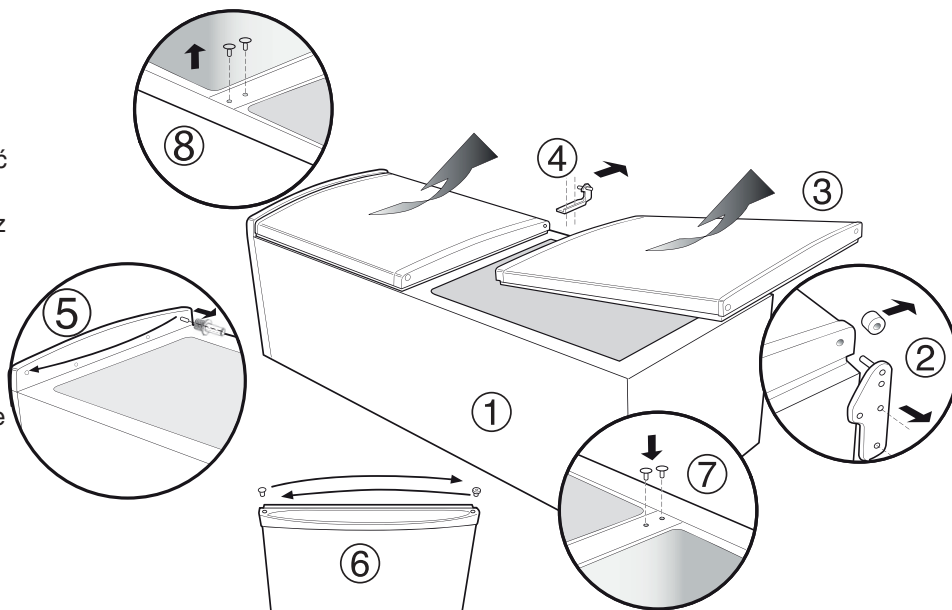
Uwaga: przed przystąpieniem do zdejmowania drzwi, należy wyłączyć zasilacz i wyjąć wtyczkę z gniazdka.

Na czas wykonywania tej czynności zaleca się wyjąć z wnętrza urządzenia wszystkie ruchome elementy/akcesoria, a żywność przełożyć do pojemników termicznych.

Może być potrzebna pomoc drugiej osoby, aby ostrożnie oprzeć tylną część urządzenia na odpowiednio zabezpieczonej powierzchni (na przykład na oryginalnym opakowaniu).

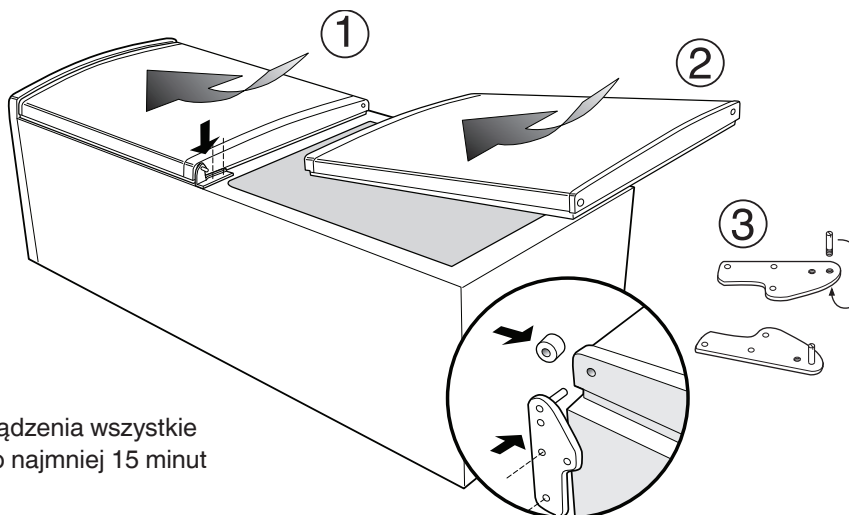
Zdejmowanie drzwi

1. Postawić urządzenie na jego tylnej części.
2. Odkręcić, wyjąć i zachować dolny zawias.
3. Delikatnie otworzyć i przesunąć w dół dolne drzwi; zdjęć je i ostrożnie postawić na jednym z boków.
4. Wyjąć środkowy zawias oraz podkładkę odległościową, jeśli jest zamontowana. Delikatnie otworzyć i przesunąć w dół górne drzwi; zdjęć je i ostrożnie postawić na jednym z boków.
5. Sworzeń zostanie usunięty i przymocowany po przeciwnej stronie
6. Przy wyjmowaniu z drzwi tulei górnych i dolnych zawiasów oraz zaślepek, używać cienkiego, tępego narzędzia, uważając, aby nie porysować klamki. Przełożyć zaślepki oraz tuleje na przeciwną stronę.
7. Włożyć zaślepki znajdujące się w wyposażeniu do dwóch środkowych otworów zawiasowych po prawej stronie.
8. Przed dokonaniem zmiany mocowania zawiasu z prawej na lewą stronę, należy odkręcić nakrętkę z lewej strony panelu i, po dokonaniu zmiany położenia zawiasu, przykręcić nakrętkę z prawej strony panelu.



Ponowne zakładanie drzwi

1. Przesunąć górne drzwi w górę i umieścić sworzeń górnego zawiasu w tulei drzwi. Przełożyć środkowy zawias na przeciwną stronę.
2. Ostrożnie przesunąć w górę dolne drzwi do sworznia środkowego zawiasu.
3. Odkręcić sworzeń dolnego zawiasu i przełożyć go na przeciwną stronę.
4. Zamocować dolny zawias upewniając się, czy drzwi są ustawione równo z lodówką.
5. Ostrożnie ustawić urządzenie w pozycji pionowej na wybranym miejscu i upewnić się, czy jest dobrze wypoziomowane. Otworzyć i zamknąć drzwi, sprawdzając czy uszczelka dobrze do nich przylega i czy nie widać szczelin, kiedy drzwi są zamknięte.



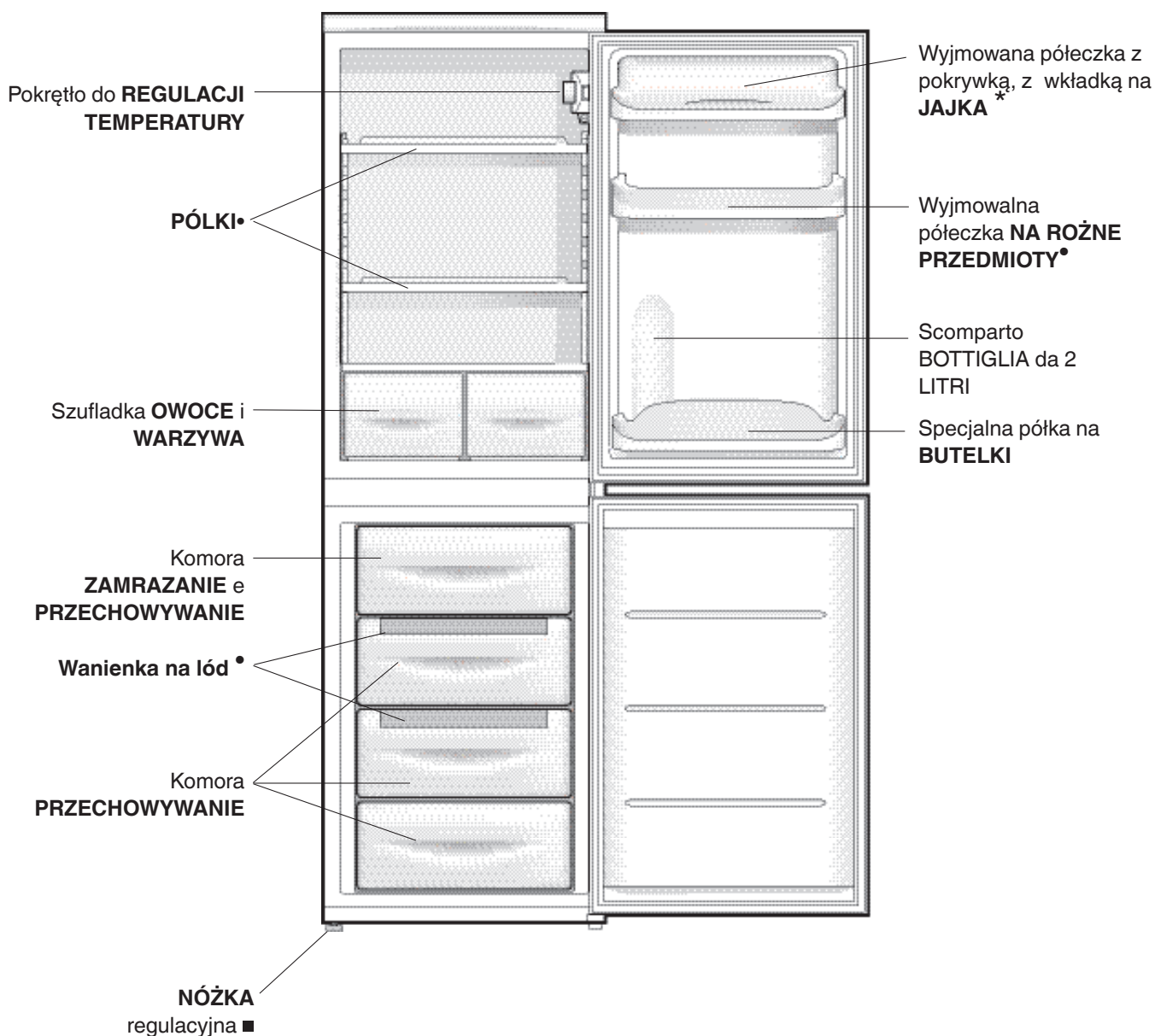
UWAGA: ponownie umieścić wewnątrz urządzenia wszystkie ruchome elementy/akcesoria i odczekać co najmniej 15 minut przed włączeniem lodówki.

Opis urządzenia

PL

Widok ogólny

Instrukcje dotyczące użytkowania są takie same dla różnych modeli, dlatego też rysunki mogą przedstawiać inne szczegóły niż w zakupionym urządzeniu. Opis bardziej skomplikowanych elementów znajduje się na następnych stronach.



■ Istnieje tylko jedna nóżka regulacyjna.

• Zmienne ze względu na ilość i/lub pozycję.

* Znajduje się tylko w niektórych modelach.

Włączenie lodówko-zamrażarki

! Przed włączeniem urządzenia, należy postąpić zgodnie z instrukcją instalowania (patrz Instalowanie).

! Przed podłączeniem urządzenia do sieci dokładnie wyczyścić jego wnęki i akcesoria letnią wodą i sodą oczyszczoną.

1. Włożyć wtyczkę do gniazda i sprawdzić, czy zaświeci się lampka wewnątrz lodówki.
2. Przekręcić i ustawić pokrętło REGULACJA TEMPERATURY na pośredniej wartości. Dopiero po kilku godzinach można włożyć artykuły spożywcze do lodówki.

Regulacja temperatury

Temperatura wewnątrz lodówki reguluje się automatycznie w zależności od pozycji pokrętła termostatu.

1 = mniej zimno **2** = bardziej zimno

Zaleca się, w każdym razie, pozycję średnią.

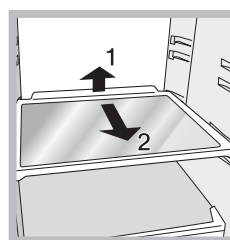
W celu zwiększenia miejsca do dyspozycji i ze względu na lepszą estetykę, lodówko-zamrażarka ma "system chłodzący" umieszczony wewnątrz tylnej ściany lodówki. Ściana ta, w trakcie funkcjonowania, pokrywa się szronem lub spływają po niej krople wody w zależności od tego, czy kompresor pracuje, czy też znajduje się w stanie spoczynku. Nie przejmujcie się tym! Lodówko-zamrażarka pracuje normalnie.

Jeśli ustawi się pokrętło REGULACJA TEMPERATURY na wysokich wartościach, przy dużych ilościach artykułów spożywczych oraz z wysoką temperaturą otoczenia urządzenie to będzie pracowało bez przerwy, będzie powodowało tworzenie się szronu i nadmierne zużycie energii elektrycznej; należy wtedy przestawić pokrętło na niższe wartości (wykonane zostanie automatyczne usuwanie oblodzenia).

W urządzeniach statycznych powietrze krąży w sposób naturalny: Powietrze zimniejsze opada do dołu ponieważ jest cięższe. Oto jak układać artykuły spożywcze.

żywność	Rozmieszczenie w lodówce
Mięso i wyczyszczone ryby	Nad szufladkami na owoce i warzywa
Świeży ser	Nad szufladkami na owoce i warzywa
Ugotowane potrawy	Na jakiegokolwiek półce
Kiełbasy, chleb puszkowany, czekolada	Na jakiegokolwiek półce
Owoce i warzywa	W szufladkach na owoce i warzywa
Jajka	Na właściwej półeczce
Masło i margaryna	Na właściwej półeczce
Butelki, napoje, mleko	Na właściwej półeczce

- Wkładać artykuły spożywcze jedynie zimne lub letnie, ale nie ciepłe (patrz Uwagi i zalecenia).
- Pamiętać należy, że ugotowane artykuły spożywcze nie mogą być przechowywane dłużej od surowych.
- Nie przechowywać płynów w otwartych pojemnikach: zwiększałyby wilgotność z konsekwencją formowania się skropliny.



PÓŁKI: pełne lub kratki.

Można je wyciągnąć, a prowadnice służą do wyregulowania wysokości ich umieszczenia (patrz rysunek) tak, aby umożliwić ustawienie na nich pojemników lub produktów żywnościowych nawet o znacznych wymiarach. Aby wyregulować wysokość nie ma konieczności

całkowitego wyjęcia półki.

Wskaźnik **TEMPERATURA***: w celu określenia najzimniejszej strefy lodówki.

1. Sprawdzić, czy na wskaźniku jest oznaczenie OK (patrz rysunek).



2. Jeśli na wskaźniku nie znajduje się napis OK to oznacza, że temperatura jest zbyt wysoka: przestawić pokrętło DZIAŁANIE LODÓWKI na wyższą pozycję (zimniej) i odczekać około 10 godzin na ustabilizowanie się temperatury.
3. Sprawdzić ponownie wskaźnik: Gdy jest to konieczne jeszcze raz przeprowadzić regulację. Jeśli włożone zostały jednocześnie duże ilości artykułów spożywczych, lub jeśli często otwiera się drzwi lodówki,

to normalnym jest fakt, że wskaźnik nie pokaże OK.

Odczekać co najmniej 10 godzin przed przystąpieniem do regulacji za pomocą pokrętki DZIAŁANIE LODÓWKI na wyższą pozycję.

Najlepszy sposób użytkowania zamrażarki

- Nie zamrażać ponownie artykułów spożywczych, które są całkowicie lub w części rozmrożone; takie artykuły należy ugotować lub zjeść (w przeciągu do 24 godzin).
- Świeże artykuły, które mają być zamrożone nie mogą stykać się z już zamrożonymi artykułami; należy je ułożyć na górnym poziomie: ZAMRAŻANIE i PRZECHOWYWANIE, gdzie temperatura jest niższa od -18°C i zapewnia szybkie zamrożenie.
- Nie wkładać do zamrażarki szklanych butelek z płynami zamkniętych hermetycznie lub korkiem ponieważ mogą popękać.
- Maksymalna ilość artykułów spożywczych jakie mogą być zamrożone w danym dniu wskazana jest na tabliczce znamionowej, znajdującej się we wnętrzu lodówki u dołu po lewej stronie (przykład: kg/24godz 4).
- W celu uzyskania większej przestrzeni w komorze zamrażarki można wyjąć szuflady z ich komór (za wyjątkiem najniższej oraz ewentualnie szuflady COOL CARE ZONE o temperaturze zmiennej), układając żywność bezpośrednio na płytach parownika.

! Podczas fazy zamrażania nie otwierać drzwi.

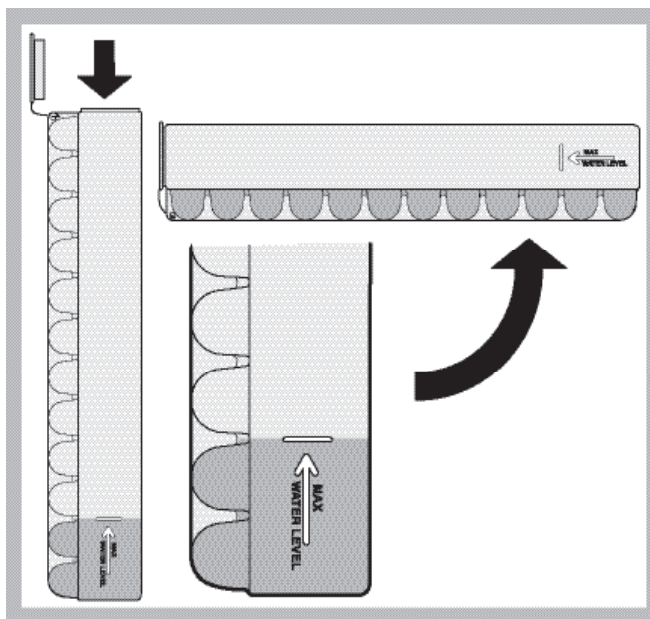
! W przypadku przerwy w dopływie prądu lub w przypadku usterki, nie otwierać drzwi zamrażarki: w ten sposób w ciągu do 9-14 godzin artykuły zamrożone i mrożonki nie ulegną zniszczeniu.

! Jeśli przez dłuższy czas temperatura otoczenia jest niższa niż 14°C , zamrażarka może mieć trudności z osiągnięciem i utrzymaniem temperatur niezbędnych do przechowywania w niej pokarmów przez dłuższy czas. Z tego powodu okres przechowywania pokarmów w zamrażarce może być krótszy.

Wanienka na lód Ice³.

! Lód nie styka się z artykułami spożywczymi
! Nie skrapla się podczas fazy zamrażania).

1. Wyjąć wanienkę popychając ją do góry, a następnie w kierunku na zewnątrz. Sprawdzić, czy wanienka została całkowicie opróżniona, a następnie napełnić ją poprzez odpowiedni otwór.
2. Uważać, aby nie przekroczyć wskazanego poziomu (MAX WATER LEVEL). Zbyt dużo wody blokuje wyjście kulek lodu (jeśli tak się dzieje, odczekać aż lód się rozpuści i opróżnić pojemnik).
3. Obrócić pojemnik o 90° : woda napełni przegrody ponieważ dąży do wyrównania poziomów (I>patrz rysunek).
4. Zamknąć otwór za pomocą pokrywy jaka jest na wyposażeniu i założyć pojemnik: wsunąć górną część do odpowiedniego gniazda i spuścić tak, aby opadł.
5. Kiedy lód się uformuje (czas minimalny to 8 godzin), należy uderzyć wanienką o twardą powierzchnię i zwilżyć wnętrze, aby kulki lodu odczepiły się; następnie wysypać je przez otwór.



Odlączenie prądu elektrycznego

Podczas czyszczenia i konserwacji należy odłączyć urządzenie od sieci elektrycznej poprzez wyciągnięcie wtyczki z gniazda:

Nie wystarczy ustawić pokrętko do regulacji temperatury na pozycji ● (urządzenie wyłączone), aby wyeliminować każdy kontakt z energią elektryczną.

Mycie urządzenia

- Części zewnętrzne, części wewnętrzne i gumowe uszczelki myć gąbką zmoczoną letnią wodą i sodą oczyszczaną lub neutralnym mydłem. Nie używać rozpuszczalników, środków żrących, wybielaczy lub amoniaku.
- Części, które można wyjąć, mogą być myte w ciepłej wodzie z mydłem lub płynem do mycia talerzy. Ostrożnie wypłukać i dokładnie wysuszyć.
- Tył urządzenia pokrywa się kurzem, który może być usunięty delikatnie odkurzaczem ustawionym na średnią moc, stosując do tego celu długi przewód giętki z końcówką w formie dziobu i po odłączeniu lodówko-zamrażarki od prądu.

Unikanie pleśni i nieprzyjemnych zapachów

- Urządzenie zostało zbudowane z higienicznych surowców, które nie wytwarzają zapachów. Aby utrzymać tę właściwość, potrawy muszą być zawsze zabezpieczone i dobrze zamknięte. W ten sposób unika się także tworzenia plam.
- W przypadku, gdy urządzenie zostanie wyłączone na dłuższy czas należy go umyć, a drzwi pozostawić otwarte.

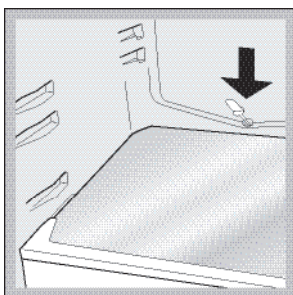
Usuwanie oblodzenia w lodówko-zamrażarce

! Dostosować się do poniższych instrukcji.

Do rozmrażania urządzenia nie używać ostrych im spiczastych przedmiotów, gdyż mogłyby one bezpowrotnie uszkodzić system chłodniczy.

Usuwanie oblodzenia z lodówki

Lodówka jest wyposażona w funkcję automatycznego usuwania oblodzenia: woda odprowadzana jest za lodówkę za pomocą odpowiedniego otworu (*patrz rysunek*), gdzie ciepło wytworzone przez sprężarkę powoduje jej odparowanie. Jedyną czynnością jaką należy wykonać



co jakiś czas, to wyczyszczenie otworu odpływowego tak, aby woda mogła swobodnie wyciekać.

Usuwanie oblodzenia z zamrażarki

Jeśli warstwa oblodzenia jest grubsza od 5 mm należy usunąć oblodzenie z zamrażarki ręcznie:

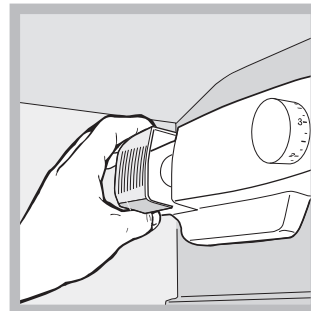
1. Ustawić pokrętko REGULACJI TEMPERATURY na pozycję ●.
2. Owinąć mrożonki i zamrożoną żywność w papier i odłożyć w chłodne miejsce.
3. Pozostawić otwarte drzwi aż do momentu, kiedy oblodzenie rozpuści się całkowicie; można ułatwić sobie pracę poprzez umieszczenie w zamrażarce pojemników z letnią wodą.
4. Przed włączeniem lodówko-zamrażki wyczyścić i wysuszyć dokładnie komorę zamrażarki.
5. Przed włożeniem produktu żywnościowego do zamrażarki poczekać co najmniej 2 godziny do momentu przywrócenia optymalnych warunków przechowywania.

Wymiana żarówki

Aby wymienić żarówkę lodówki, należy najpierw wyciągnąć wtyczkę z gniazdka prądu. Postępować zgodnie z instrukcjami podanymi poniżej.

Odmontować zabezpieczenie, aby dojść do żarówki i tak jak wskazano na rysunku.

Wymienić na żarówkę o mocy takiej, jaka jest wskazana na zabezpieczeniu (15 W lub 25 W).



Zalecenia i środki ostrożności

PL

! Urządzenie zostało zaprojektowane i wyprodukowane zgodnie z międzynarodowymi przepisami bezpieczeństwa. Mając na względzie Wasze bezpieczeństwo podajemy Wam poniższe zalecenia, które należy uważnie przeczytać.



Niniejsze urządzenie zostało wyprodukowane zgodnie z następującymi przepisami EWG:
- 73/23/CEE z dn. 19/02/73 (o Niskim Napięciu)



wraz z kolejnymi zmianami;

- 89/336/CEE z 03/05/89 (o Zgodności



Elektromagnetycznej) wraz z kolejnymi zmianami;
- 2002/96/CE.

Ogólne zasady bezpieczeństwa

- Niniejsze urządzenie przeznaczone jest do zastosowań domowych oraz nieprofesjonalnych.
- Urządzenie jest przeznaczone do przechowywania i zamrażania żywności, może być obsługiwane jedynie przez osoby dorosłe oraz według instrukcji podanych w niniejszej książeczce.
- Nie należy instalować urządzenia poza domem, nawet jeśli miejsce to jest chronione daszkiem, gdyż wystawienie urządzenia na działanie deszczu i burz jest bardzo niebezpieczne.
- Nie dotykać urządzenia, stojąc przy nim boso lub mając ręce czy stopy mokre lub wilgotne.
- Nie dotykać wewnętrznych części chłodzących: istnieje możliwość poparzenia lub zranienia.
- Nie wyjmować wtyczki z gniazdka, ciągnąc za kabel, lecz trzymając za wtyczkę.
- Przed przystąpieniem do operacji czyszczenia lub konserwacji wyjąć wtyczkę z gniazdka. Nie wystarczy ustawić pokrętkę do REGULACJI TEMPERATURY na pozycję ● (urządzenie wyłączone), aby wyeliminować każdy kontakt z energią elektryczną.
- W razie usterek nie należy w żadnym wypadku próbować dostać się do wewnętrznych części urządzenia, próbując samemu je naprawiać.
- Nie używać w sektorach lodówki/zamrażarki przeznaczonych do przechowywania zamrożonej żywności, ostrych i spiczastych narzędzi oraz urządzeń elektrycznych, które nie są dozwolone przez producenta.
- Nie wkładać do jamy ustnej kubków lodowych dopiero co wyjętych z zamrażarki.
- Urządzenie to nie jest przystosowane do obsługi przez osoby (w tym dzieci) o ograniczonych możliwościach fizycznych, zmysłowych bądź umysłowych lub przez osoby nie posiadające odpowiedniego doświadczenia i wiedzy, chyba, że znajdują się one pod kontrolą osób odpowiedzialnych za ich bezpieczeństwo i zostały przez te osoby przeszkolone w kwestiach dotyczących obsługi urządzenia. Dzieci powinny znajdować się pod kontrolą, aby można było mieć pewność, że nie bawią się one urządzeniem.
- Części opakowania nie nadają się do zabawy dla dzieci!

Usuwanie odpadów

- Pozbycie się materiałów opakowania: stosować się do lokalnych przepisów; w ten sposób opakowanie będzie mogło zostać ponownie wykorzystane.
- Europejska Dyrektywa 2012/19/EU dotycząca Zużytych Elektrycznych i Elektronicznych Urządzeń (WEEE) zakłada zakaz pozbywania się starych urządzeń domowego użytku jako nieposortowanych śmieci komunalnych. Zużyte urządzenia muszą być osobno zbierane i sortowane w celu zoptymalizowania odzyskania oraz ponownego przetworzenia pewnych komponentów i materiałów. Pozwala to ograniczyć zanieczyszczenie środowiska i pozytywnie wpływa na ludzkie zdrowie. Przekreślony symbol „kosza” umieszczony na produkcie przypomina klientowi o obowiązku specjalnego sortowania. Konsumenty powinni kontaktować się z władzami lokalnymi lub sprzedawcą w celu uzyskania informacji dotyczących postępowania z ich zużytymi urządzeniami gospodarstwa domowego.

Oszczędność i ochrona środowiska

- Zainstalować urządzenie w pomieszczeniu chłodnym i przewiewnym, zabezpieczyć przed bezpośrednim wpływem promieni słonecznych daleko od źródeł ciepła.
- Podczas wkładania lub wyjmowania produktów drzwi otwierać na jak najkrótszy okres czasu. Każde otwarcie drzwi powoduje znaczną stratę energii.
- Nie wkładać do lodówki-zamrażarki zbyt dużo żywności: dla dobrej konserwacji zimne powietrze musi krążyć bez przeszkód. Jeśli cyrkulacja zostanie utrudniona lub uniemożliwiona, to sprężarka będzie pracować w ciągłym rytmie.
- Nie wkładać ciepłej żywności: podniosłaby się temperatura wewnętrzna, zmuszając sprężarkę do wysiłonej pracy i z dużą stratą energii elektrycznej.
- Usunąć oblodzenie z lodówki (*patrz Konserwacja*); duża warstwa lodu utrudnia dojście zimna do artykułów spożywczych i zwiększa zużycie energii.
- Uszczelki mają być zawsze czyste i w dobrym stanie i takie, aby dokładnie przylegały do drzwi i aby hamowały ucieczkę zimna (*patrz Konserwacja*).

W przypadku, gdy lodówka-zamrażarka nie będzie działała. Zanim wezwie się Serwis Techniczny (*patrz Serwis*) należy sprawdzić, czy nie można rozwiązać problem samemu i pomagając sobie poniższymi wskazówkami.

Nieprawidłowości w działaniu: Możliwe przyczyny/Porady:

Lampka wewnątrz urządzenia nie zapala się.

- Wtyczka nie jest wsadzona do gniazdka z prądem, albo jest włożona niewystarczająco, tak, że niema styku, albo w sieci domowej nie ma prądu.

Lodówka i zamrażarka słabo chłodzą.

- Drzwi nie zamykają się prawidłowo lub uszczelki są zniszczone.
- Drzwi za często są otwierane.
- Pokrętko do REGULACJI TEMPERATURY nie jest ustawione na prawidłowej pozycji;
- Lodówka lub zamrażarka są przepełnione.
- Temperatura środowiskowa obróbki produktu jest niższa od 14°C.

Potrawy w lodówce zamrażają się.

- Pokrętko do REGULACJI TEMPERATURY nie jest ustawione na prawidłowej pozycji;
- Żywność styka się z tylną ścianką.

Silnik pracuje bez przerwy.

- Drzwi nie są prawidłowo zamknięte lub są ciągle otwierane.
- Zbyt wysoka temperatura pomieszczenia.
- Grubość szronu przekracza 2-3 mm. (*patrz Konserwacja*).

Urządzenie pracuje bardzo głośno.

- Urządzenie nie zostało zainstalowane w poziomie (brak wypoziomowania) (*patrz Instalowanie*).
- Urządzenie zostało zainstalowane pomiędzy meblami lub przedmiotami, które drgają i wytwarzają hałas.
- Gaz chłodzący, znajdujący się wewnątrz powoduje lekki hałas również, kiedy sprężarka nie pracuje: to nie usterka lecz stan normalny.

Temperatura niektórych części zewnętrznych lodówki jest wysoka.

- Temperatura zapobiega tworzenia się skroplin w w szczególnych strefach produktu.

Na tylnej ściance komory lodówki tworzy się szron lub skroliny wody

- Jest to normalne funkcjonowanie systemu

Na dnie lodówki zbiera się woda.

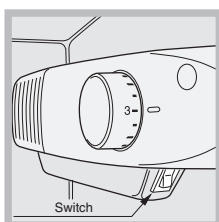
- Otwór do ujścia wody jest zatkany (*patrz Konserwacja*).

Wilgoć lub nadmiar lodu z tyłu lodówki.

- Jeśli drzwi komory lodówki pozostają otwarte zbyt długo, może dojść do gromadzenia się wilgoci lub nadmiernej ilości lodu. Problem rozwiąże się, jak tylko zostaną zamknięte drzwi, dzięki czemu nastąpi odszronienie komory lodówki i usunięcie obecnej w niej wilgoci. Jest to sytuacja normalna dla funkcji zamrażania komory lodówki, zwłaszcza w okresie letnim.

Ciepła lodówka.

- Jeśli temperatura otoczenia jest równa lub niższa niż 16°C, np. gdy lodówka została zamontowana w garażu lub w miejscu otwartym, przełącznik powinien znajdować się w pozycji **ON**, aby zapewnić prawidłową pracę lodówki.



Przed zwróceniem się do Serwisu Technicznego:

- Sprawdzić, czy anomalia nie może być usunięta samodzielnie (*patrz Anomalie i ich usuwanie*).
- Jeśli, pomimo wszystkich kontroli, urządzenie nie działa a usterka nie została wykryta i dalej występuje, wezwijcie najbliższy serwis Techniczny.


Należy podać:

- rodzaj anomalii
- model urządzenia (Mod.);
- numer seryjny (S/N);

Te dane znajdują się na tabliczce znamionowej, znajdującej się w komorze lodówki u dołu po lewej stronie.

model numer seryjny

Mod. RG 2230		TI	Coł. 93139 180000	S/N 704211901
Cl. Min. yr.	Stz	150 W	W Fu++	Max 12
Total 340	75			
Gross Bruto Brut	Gross Bruto Brut	Net Utl Utl+	Gross Bruto Brut	Podet. Cong. Cl.++ N
				kg/24 h. 4,0 Cl.++
Compr. Syst.	R 134 a	T++	Pressure HIGH-285	
Kompr.	kg 0,090	P.S.L	LOW 140	
Made in Italy 13213				



Zwracajcie się wyłącznie do upoważnionego Serwisu Technicznego i domagajcie się zainstalowania wyłącznie oryginalnych części zamiennych:

Instrucțiuni de folosire

COMBINĂ FRIGIDER/CONGELATOR

RO

GB

English, 1

DE

Deutsch, 11

F

Français, 21

I

Italiano, 31

E

Espanol, 41

P

Portuges, 51

HR

Hrvatski, 61

CZ

Česky, 71

HU

Magyar, 81

PL

Polski, 91

RO

Română, 101

SR

Srpski, 111

SK

Slovenčina, 121

CA 55 xx
CAA 55 xx
NCAA 55 xx

Sumar

Instalare, 102-103

Amplasare și racordare
Reversibilitate deschidere uși

Descriere aparat, 104

Vedere de ansamblu

Pornire și utilizare, 105-106

Activare aparat
Utilizare optimă frigidier
Utilizare optimă congelator

Întreținere și curățire, 107

Decuplare electrică
Curățare aparat
Evitarea mușcăiului și a mirosurilor urâte
Decongelare aparat
Înlocuire bec

Precauții și sfaturi, 108

Siguranța generală
Lichidare aparat
Economisirea energiei și protecția mediului înconjurător

Anomalii și remedii, 109

Asistență, 110

Instalare

RO

! Este important să păstrați acest manual pentru a-l putea consulta în orice moment. În caz de vânzare, de cesiune sau de schimbare a locuinței, acesta trebuie să fie înmănat împreună cu mașina de spălat, pentru a informa noul proprietar cu privire la funcționare și la respectivele avertismente.

! Citiți cu atenție instrucțiunile: veți găsi informații importante cu privire la instalație, la folosire și la siguranță.

Amplasare și racordare

Amplasare

1. Amplasați aparatul într-un loc aerisit și fără umezeală.
2. Nu obturați grătarele de aerisire din spatele frigiderului: compresorul și condensatorul emană căldură și necesită o bună aerisire pentru a funcționa în mod corect și a limita consumul de energie electrică.
3. Pentru aceasta, lăsați o distanță între frigider și mobilier de cel puțin 10 cm (în partea de sus) și de cel puțin 5 cm (lateral).
4. Îndepărtați aparatul de sursele de căldură. (raze solare directe, aragaz).
5. Pentru a păstra distanța optimă a produsului față de peretele din spate al acestuia, montați distanțierii din setul de instalare, urmărind instrucțiunile din foaia anexată.

Punere la nivel

1. Instalați aparatul pe o suprafață plană și rigidă.
2. Dacă podeaua nu este perfect orizontală, echilibrați frigiderul înșurubând sau deșurubând unicul picioruș de reglare din față.

Conectare electrică

După transport, poziționați aparatul vertical și așteptați cel puțin 3 ore înainte de a-l cupla la rețea. Înainte de a introduce ștecherul în priză, asigurați-vă ca:

- priza să fie cu împământare și conform prevederilor de lege;
- caracteristicile prizei să fie astfel încât să suporte sarcina de putere a aparatului, indicată pe tablă de caracteristici din interiorul frigiderului (în partea de jos, din stânga) - de ex. 150 W;
- tensiunea de alimentare să fie cuprinsă în rangul valorilor indicate în plăcuța de caracteristici (din partea de jos, în stânga) - de ex. 220-240V;
- priza să fie compatibilă cu ștecherul aparatului. În caz contrar, apelați la serviciile unui electrician autorizat (*vezi Asistența*); nu folosiți prelungitoare și prize multiple.

! După instalare, cablul de alimentare și priza de curent trebuie să fie ușor accesibile.

! Cablul nu trebuie să fie îndoit sau comprimat.

! Cablul trebuie să fie controlat periodic și înlocuit de electricieni autorizați (*vezi Asistența*).

! Firma își declină orice responsabilitate în cazul în care aceste norme nu se respectă.

Reversibilitate deschidere ușii

Atenție: înainte de a încerca să detașați ușile, opriți alimentatorul și decuplați aparatul de la priza de curent.

În timpul executării acestei operații, se recomandă să îndepărtați orice element sau accesoriu care se mișcă liber în aparat, și să introduceți alimentele în recipiente izolate.

Pentru a sprijini partea posterioară a aparatului pe anumite materiale de protecție ca de exemplu ambalajul original, puteți avea nevoie de o persoană să vă ajute.

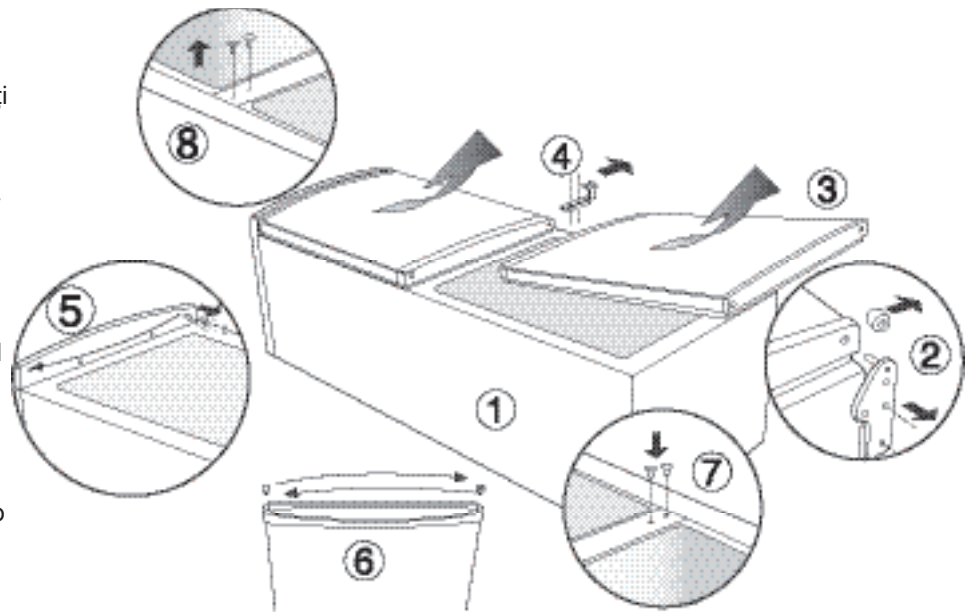
Detașarea ușilor

1. Sprijiniți aparatul în partea posterioară.
2. Deșurubați, extrageți și păstrați la îndemână balamaua inferioară.
3. Deschideți încet ușa inferioară și lăsați-o să alunece în jos; îndepărtați-o și sprințiți-o pe un flanc
4. Desprindeți și balamaua din mijloc împreună cu respectivul d

istanțier, dacă a fost prevăzut din dotare. Deschideți încet ușa superioară și lăsați-o să alunece în jos; îndepărtați-o și sprințiți-o pe un flanc, cu atenție.

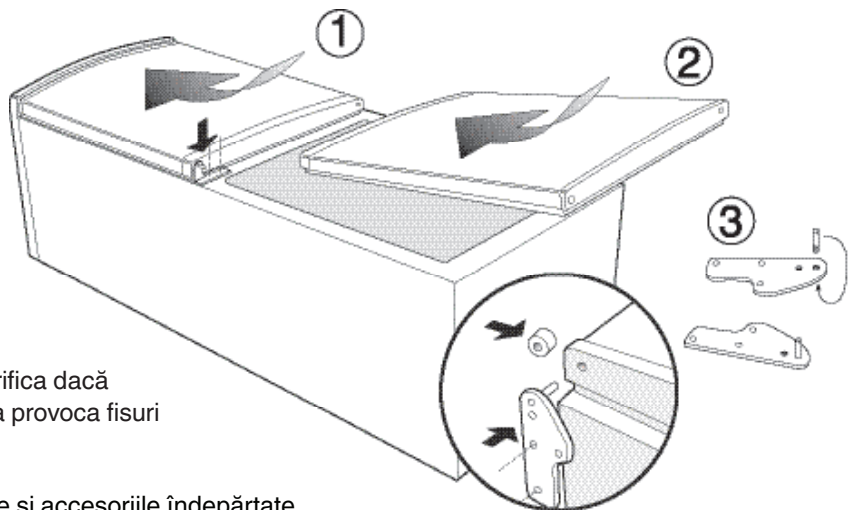
5. Știftul va fi scos și fixat pe partea opusă.
6. Utilizați un instrument subțire, fără vârfuri ascuțite, pentru a detașa de pe ușii inelele balmalelor superioare și inferioare precum și capacele, fiind atenți să nu zgâriați mânerul. Montați la loc capacele și inelele, în partea opusă.
8. Introduceți capacele din dotare în cele două găuri centrale ale balmalelor, pe partea dreaptă.

Înainte de a schimba locul balmalei de la dreapta la stânga, șurubul de pe panoul din stânga trebuie să fie demontat și, după schimbarea locului balmalei, șurubul trebuie să fie montat pe panoul din dreapta.



Repoziționarea ușilor

1. Lăsați să alunece ușa superioară în sus și introduceți știftul articulației, superior, în inelul de pe ușă. Repoziționați balamaua din mijloc pe partea opusă.
2. Lăsați să alunece cu mare atenție ușa inferioară, în interiorul știftului de articulație central.
3. Deșurubați știftul articulației din partea inferioară și montați-l din nou în partea opusă.
4. Fixați balamaua inferioară asigurându-vă că ușa este aliniată cu dulapul.
5. Ridicați din nou aparatul în poziție verticală și verificați poziționarea acestuia. Aveți grijă să nu fie înclinat. Deschideți și închideți ușile pentru a verifica dacă garnitura asigură o bună etanșare fără a provoca fisuri când ușile sunt închise.



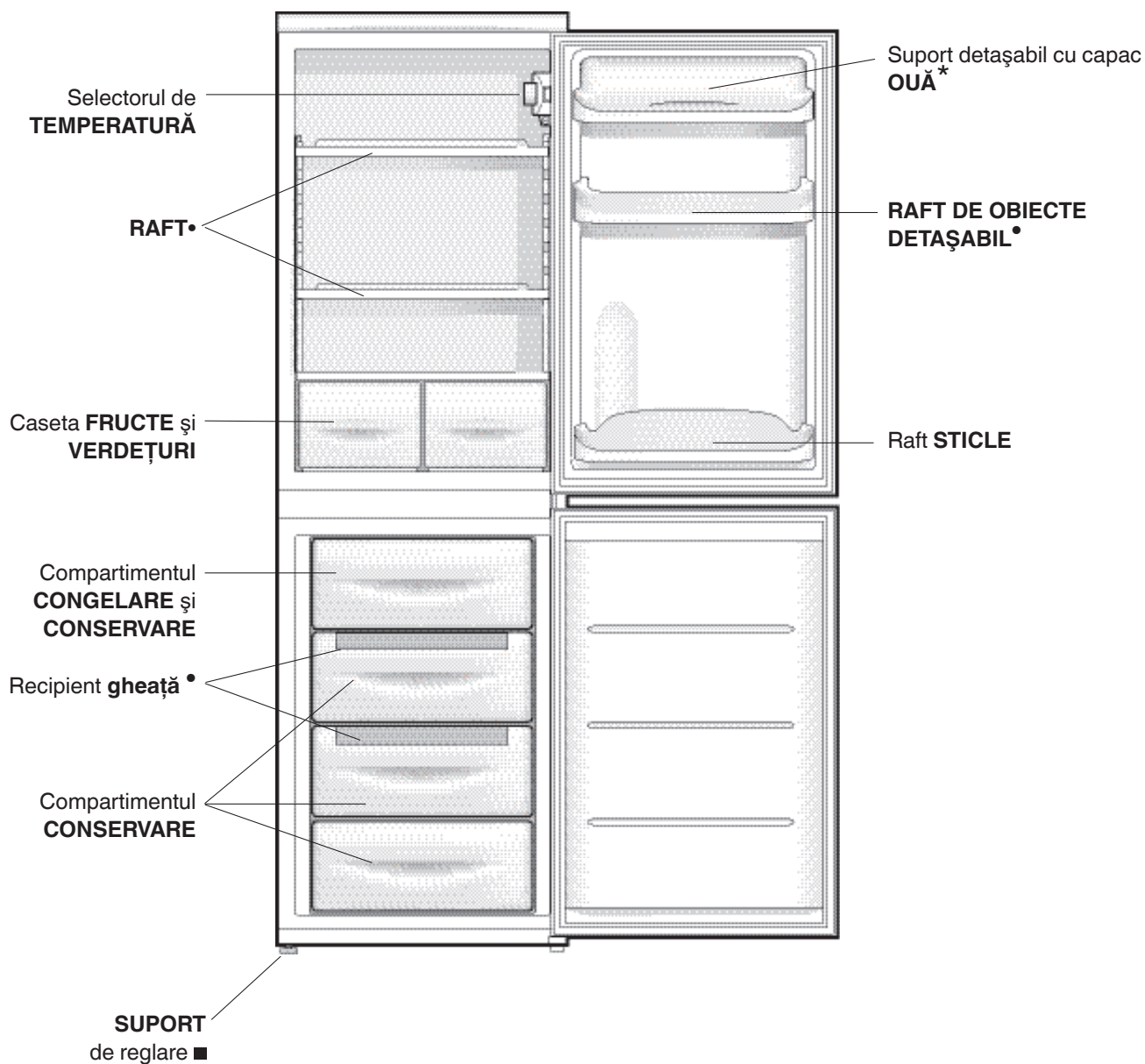
NOTĂ: introduceți din nou toate elementele și accesoriile îndepărtate în prealabil și așteptați cel puțin 15 minute înainte de a pune în funcțiune aparatul.

Descriere aparat

RO

Vedere de ansamblu

Instrucțiunile de utilizare sunt valabile pentru mai multe modele, deci este posibil ca ilustrațiile să nu corespundă întocmai aparatului pe care l-ați achiziționat. Descrierea componentelor care pot varia este cuprinsă în paginile următoare.



■ Există un singur picioruș de reglare.

• Variază ca număr sau ca poziție.

* Numai pe anumite modele.

Activare aparat

! Înainte de a pune în funcțiune aparatul, urmăriți instrucțiunile cu privire la instalare (vezi Instalare).

! Înainte de a conecta aparatul la rețea, curățați compartimentele și accesoriile cu apă călduță și bicarbonat.

1. Introduceți ștecherul în priză și asigurați-vă că se aprinde becul din frigider.
2. Rotiți selectorul pentru REGLAREA TEMPERATURII într-o poziție de mijloc. După câteva ore puteți introduce alimentele în frigider.

Utilizare optimală frigider

Temperatura în interiorul compartimentului frigider se reglează în funcție de poziția selectorului.

1 = mai cald;

5 = mai rece;

Se recomandă reglarea sa într-o poziție medie.

Pentru a mări spațiul la dispoziție și a îmbunătăți aspectul estetic al acestui produs, partea refrigerentă a fost amplasată în peretele posterior al compartimentului frigider. În timpul funcționării, peretele va fi acoperit cu un strat subțire de brumă sau cu picături mici de apă, în funcție de starea compresorului (activat sau dezactivat). Nu vă impăciționați! Acesta este modul normal de funcționare!

Dacă reglați selectorul pentru REGLAREA TEMPERATURII la valori mari, cu frigiderul plin și cu o temperatură exterioară ridicată, se poate ca și aparatul să funcționeze continuu, favorizând astfel formarea excesivă de brumă (cu consum mare de energie). Evitați acest lucru, reglând selectorul în dreptul unor valori mai mici (frigiderul va elimina bruma în mod automat).

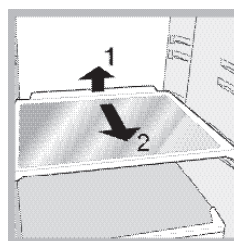
: aerul mai rece coboară deoarece este mai greu. Iată cum puteți așeza alimentele:

Alimente	Disponerea în frigider
Carne și pește curățat	Deasupra casetelor pentru fructe și verdețuri
Brânzeturi proaspete	Deasupra casetelor pentru fructe și verdețuri
Alimente preparate	Pe orice raft
Salamuri, pâine feliată, ciocolată	Pe orice raft
Fructe și verdețuri	În casetele pentru fructe și verdețuri
Ouă	Pe suportul de ouă
Unt și margarină	În cutia de unt și margarină
Sticle, băuturi răcoritoare, lapte	Pe suporturile de pe ușă

- Introduceți numai alimentele reci sau abia călduțe, niciodată calde (vezi *Precauții și sfaturi*).
- Amintiți-vă că valabilitatea alimentelor conservate în frigider este aceeași pentru cele preparate ca și pentru cele crude.
- Nu introduceți lichidele în recipiente fără capac: ele ar spori umiditatea și ar determina formarea de condens.

RAFTURI pline sau în formă de grătar.

Sunt detașabile și reglabile în înălțime mulțumită ghidajelor (vezi figura), utile pentru susținerea recipientelor sau a alimentelor de dimensiuni mari. Reglarea înălțimii la care sunt dispuse se poate face și fără a extrage raftul întreg.



Indicator **TEMPERATURĂ***: pentru a identifica zona cea mai rece din frigider.

1. Controlați dacă inscripția OK este bine lizibilă (vezi figura).



2. Dacă nu apare mesajul OK înseamnă că temperatura este prea mare. În acest caz, este necesar să deplasați selectorul de FUNCȚIONARE FRIGIDER mai sus (zonă mai rece) și să așteptați aproximativ 10 ore până când se stabilizează temperatura.
3. Controlați din nou indicatorul; dacă este necesar, reglați încă o dată poziția selectorului. Dacă introduceți o cantitate mai mare de alimente sau dacă deschideți ușa frigiderului prea des, este normal ca indicatorul să nu afișeze mesajul OK. Așteptați cel puțin 10 ore înainte de a modifica poziția selectorului FUNCȚIONARE FRIGIDER.

Utilizare optimală congelator

- Nu recongelați alimentele decongelate sau în curs de decongelare; acestea trebuie preparate și consumate în maxim 24 de ore.
- Alimentele proaspete (de congelat) nu trebuie să fie puse lângă cele deja congelate, ci așezate deasupra grătarului din compartimentul CONGELARE și CONSERVARE, unde temperatura este mai mică de -18°C , pentru a se congela rapid.
- Nu introduceți în congelator sticle pline închise ermetic, deoarece se pot sparge.
- Cantitatea maximă zilnică de alimente de congelat este indicată în tăblița de caracteristici din frigider (în partea de jos, în stânga); de exemplu: Kg/24h 4).
- Pentru a avea mai mult spațiu liber în frigider, puteți scoate cutiile (în afara celei de jos și a celei corespunzătoare Zonei Cool Care, cu temperatură variabilă) și așeza alimentele direct pe rafturile cu evaporare.

! În timpul congelării evitați deschiderea ușii congelatorului.

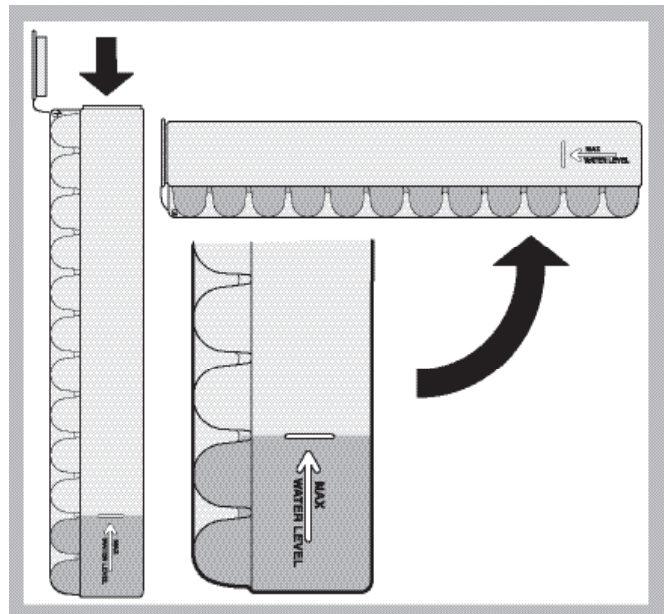
! Dacă se întrerupe curentul sau este vreo defecțiune (pană) de la rețea, nu deschideți ușa congelatorului: în acest mod alimentele înghețate și congelate se vor păstra intacte timp de 9-14 ore.

! Dacă temperatura ambientală se menține la mai puțin de 14°C , atunci perioada de conservare a alimentelor se reduce deoarece congelatorul nu poate ajunge la temperatura ideală pentru păstrarea acestora pe timp îndelungat.

Recipientul de gheață.

Mulțumită amplasării sale, deasupra casetelor din compartimentul congelator, acest recipient menține o salubritate sporită (gheața nu intră în contact cu alimentele) și o ergonomie particulară (apa nu picură în momentul umplerii acestuia).

1. extrageți recipientul împingându-l în sus. Asigurați-vă că recipientul este gol și introduceți apă prin orificiul indicat.
2. Fiți atenți să nu depășiți nivelul recomandat (MAX WATER LEVEL). Excesul de apă obstaculează ieșirea cuburilor (dacă se întâmplă, așteptați să se topească gheața și goliți recipientul).
3. Rotiți recipientul la 90° : apa, în virtutea principiului vaselor comunicante, va umple toate formele (vezi figura).
4. Închideți orificiul cu capacul din dotare și poziționați recipientul la locul său, introducându-l mai întâi cu partea de sus și apoi împingându-l în jos.
5. Când gheața va fi gata (în 8 ore circa), bateți recipientul pe o suprafață dură și turnați un pic de apă peste el, pentru a putea desprinde cuburile (care vor ieși prin orificiu).



Înterupeți alimentarea electrică a aparatului.

În timpul operațiilor de curățare și întreținere nu este necesar să izolați complet aparatul (să întrerupeți curentul de la rețea).

Nu este suficient să poziționați selectorul de reglare a temperaturii pe ● (aparat oprit) pentru a întrerupe alimentarea cu curent electric.

Curățare aparat

- Exteriorul, interiorul și garniturile din cauciuc pot fi curățate cu un burete îmbibat în apă caldă și bicarbonat de sodiu sau săpun neutru. Nu folosiți solvenți, substanțe abrazive, înălbitor sau amoniac.
- Accesoriile detașabile pot fi puse la înmuiat în apă caldă și săpun sau detergent de vase. După spălare, clătiți-le și ștergeți-le bine.
- Partea posterioară a combinei atrage praful, care poate fi aspirat folosind tubul rigid al aspiratorului (acesta fiind reglat la o viteză medie). Procedați cu atenție: înainte de a aspira praful, opriți aparatul și scoateți ștecherul din priză.

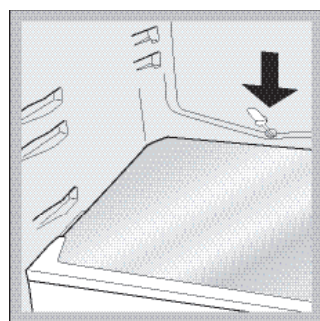
Evitarea mucegaiului și a mirosurilor urâte

- Aparatul este fabricat cu materiale igienice care nu emană nici un miros. Pentru a păstra această caracteristică, este necesar ca alimentele să fie întotdeauna protejate în recipiente închise. Acest lucru este necesar pentru a evita pătrunderea alimentelor.
- Dacă doriți să opriți aparatul pe o perioadă mai mare de timp, curățați interiorul și lăsați ușile deschise.

Decongelare aparat

! Respectați instrucțiunile de mai jos.

Pentru a dezgheța aparatul, nu utilizați obiecte ascuțite sau tăietoare, pentru că acestea ar putea deteriora în mod ireparabil circuitul refrigerent.



Frigiderul are un sistem de dezghețare automat: apa este dirijată în partea din spate a frigiderului, unde se află un orificiu de evacuare (vezi figura) de unde, cu ajutorul căldurii emanate, se evaporă. Singura intervenție pe care trebuie să o efectuați periodic constă în curățarea orificiului de evacuare pentru ca apa să poată circula fără obstacole.

Dezghețare congelator

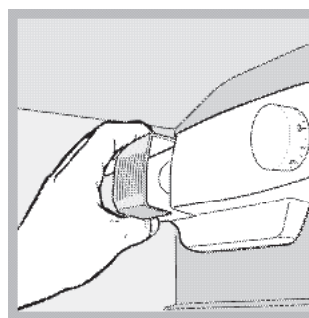
Dacă stratul este mai gros de 5 mm este necesar să efectuați manual operațiile de mai jos:

1. Poziționați selectorul pentru REGLAREA TEMPERATURII în dreptul ●.
2. Înfășurați alimentele surgelate sau congelate în folii de hârtie și puneți-le la rece.
3. Lăsați ușa congelatorului deschisă până când bruma se va topi; puteți accelera acest proces introducând în congelator recipiente pline cu apă caldă.
4. Curățați și ștergeți bine congelatorul înainte de a repune în funcțiune aparatul.
5. Înainte de a introduce alimentele în congelator, așteptați aproximativ 2 ore pentru restabilirea condițiilor ideale de păstrare.

Înlocuire bec

Pentru a înlocui becul din frigider, scoateți mai întâi ștecherul din priză. Urmăriți instrucțiunile de mai jos. Îndepărtați protecția după indicațiile din figură pentru a ajunge la bec.

Înlocuiți-l cu unul similar, a cărui putere să fie egală cu cea indicată pe capacul de protecție (15 W sau 25 W).



Precauții și sfaturi

RO

! Aparatul a fost proiectat și construit conform normelor internaționale de siguranță. Aceste avertizări sunt furnizate din motive de siguranță și trebuie să fie citite cu atenție.



Acest aparat este conform cu următoarele Directive Comunitare:
- 73/23/CEE din data de 19/02/73 (Tensiuni Joase) și modificări succesive;
- 89/336/CEE din data de 03/05/89 (Compatibilitate Electromagnetică) și modificări succesive;
- 2002/96/CE.

Siguranța generală

- Acest aparat de uz casnic fost conceput pentru a fi folosit numai în interiorul locuințelor.
- De aceea, trebuie să fie utilizat numai pentru conservarea și congelarea alimentelor și numai de persoane adulte, conform instrucțiunilor din manual.
- Aparatul nu trebuie instalat în aer liber, nici chiar în cazul în care spațiul este adăpostit, deoarece expunerea acestuia la ploai și furtuni este foarte periculoasă.
- Nu atingeți aparatul când sunteți desculți sau cu mâinile sau picioarele ude sau umede.
- Nu atingeți componentele de răcire din interiorul său: că puteți arde sau răni.
- Nu scoateți ștecherul din priză trăgând de cablu.
- Este necesar să scoateți ștecherul din priză înainte de a efectua operațiile de curățire și întreținere. Nu este suficient să poziționați selectorul pentru REGLAREA TEMPERATURII pe ● (aparat oprit) pentru a tăia alimentarea cu curent electric.
- În caz de defecțiune, nu umblați în nici un caz la mecanismele interne și nu încercați s-o reparați singuri.
- Nu utilizați - în compartimentele de păstrare a alimentelor congelate - obiecte tăietoare sau ascuțite, sau aparate electrice, dacă nu au fost recomandate de fabricant.
- Nu băgați în gură cuburile de gheață imediat după ce le-ați scos din congelator.
- Acest aparat nu este destinat utilizării de către persoane (inclusiv copii) cu capacitate fizică, senzorială sau mentală redusă sau care nu au experiență și cunoștințe cu excepția cazurilor în care sunt supravegheate sau instruite în prealabil în privința utilizării aparatului de către o persoană responsabilă de siguranța acestora. Copii trebuie supravegheați pentru a nu se juca cu aparatul.
- Ambalajele nu sunt jucării pentru copii!

Lichidare aparat

- Lichidarea ambalajelor: respectați normele locale, în acest fel ambalajele vor putea fi utilizate din nou.
- Lichidarea unui aparat vechi: RESPECTAȚI LEGISLAȚIA ÎN MATERIE DE LICHIDARE. Frigiderele și congelatoarele conțin, în zona de răcire și în izolație, gaz izobutan și ciclopentan care, dacă sunt eliminate în atmosferă, sunt periculoase. EVITAȚI DECI DETERIORAREA TUBURILOR.
- Înainte de a lichida aparatul vechi, tăiați cablul de alimentare cu curent electric și îndepărtați balamalele, pentru a nu putea fi utilizat de altcineva.

Economisirea energiei și protecția mediului înconjurător

- Amplasați aparatul într-un loc răcoros și bine ventilat, protejați-l de razele solare directe și de sursele de căldură.
- Pentru a introduce sau scoate alimentele, deschideți și închideți ușile cât mai repede cu putință. Fiecare deschidere a ușii înseamnă consum de energie.
- Nu încărcați aparatul: pentru a asigura o bună răcire a alimentelor, aerul trebuie să circule cât mai bine. Dacă împiedicați circulația aerului, compresorul va lucra în permanentă.
- Nu introduceți alimente calde: acestea determină creșterea temperaturii și deci obligă compresorul să funcționeze mai mult, ceea ce înseamnă un consum mărit de energie.
- Dezghețați aparatul dacă observați că s-a format gheață (vezi *Întreținere*); stratul de gheață gros împiedică răcirea alimentelor și mărește consumul de energie.
- Curățați și verificați eficiența garniturilor: dacă nu asigură o închidere etanșă, aerul rece va ieși din frigider (vezi *Întreținere*).

ATENȚIONĂRI ÎN CONFORMITATE CU LEGISLAȚIA ÎN VIGOARE

- Conform prevederilor legislației privind gestionarea deșeurilor, este interzisă eliminarea deșeurilor de echipamente electrice și electronice (DEEE) alături de deșeurile municipale nesortate. Ele trebuie predate la punctele municipale de colectare, societățile autorizate de colectare/reciclare sau distribuitori (în cazul în care se achiziționează echipamente noi de același tip).
- Autoritățile locale trebuie să asigure spațiile necesare pentru colectarea selectivă a deșeurilor precum și funcționalitatea acestora. Contactați societatea de salubritate sau compartimentul specializat din cadrul primăriei pentru informații detaliate.
- Deșeurile de echipamente electrice și electronice pot fi predate și distribuitorilor, la achiziționarea de echipamente noi de același tip (schimb 1 la 1).
- Predarea, de către utilizatori, a deșeurilor de echipamente electrice și electronice, la punctele de colectare municipale, societățile autorizate de colectare/reciclare sau distribuitori (în cazul în care se achiziționează echipamente noi de același tip) facilitează refolosirea, reciclarea sau alte forme de valorificare a acestora.
- Deșeurile de echipamente electrice și electronice pot conține substanțe periculoase care pot avea un impact negativ asupra mediului și sănătății umane în cazul în care DEEE nu sunt colectate selectiv și gestionate conform prevederilor legale.
- Simbolul alăturat (o pubela cu roți, barata cu două linii în forma de X), aplicat pe un echipament electric sau electronic, semnifică faptul că acesta face obiectul unei colectări separate și nu poate fi eliminat împreună cu deșeurile municipale nesortate.



Se poate întâmpla ca aparatul să nu funcționeze. Înainte de a apela serviciul de Asistență (*vezi Asistența*), verificați dacă nu se tratează de o problemă ușor de rezolvat:

Anomalii:

Cauze posibile / Rezolvare:

Becul nu se aprinde

- Ștecherul nu este introdus în priză, sau nu face contact sau curentul este oprit de la rețea (pană).

Frigiderul și congelatorul răcesc puțin

- Ușile nu se închid bine sau garniturile sunt deteriorate;
- Ușile se deschid foarte des;
- Selectorul de TEMPERATURĂ este corect poziționat;
- Frigiderul sau congelatorul au fost umplute excesiv;
- Temperatura mediului în care se află produsul este sub 14°C.

În frigider alimentele se răcesc prea mult

- Selectorul de TEMPERATURĂ este corect poziționat;
- Alimentele ating partea din spate a frigiderului.

Motorul funcționează continuu

- Ușa nu este bine închisă sau a fost deschisă frecvent;
- Temperatura exterioară este foarte ridicată;
- Grosimea brumei depășește 2-3 mm (*vezi Întreținere*).

Aparatul emite prea mult zgomot.

- Aparatul nu este la nivel (*vezi Instalare*);
- A fost instalat între mobilă și obiecte care vibrează și emit zgomote;
- Gazul refrigerent produce zgomote ușoare chiar și atunci când compresorul este oprit: nu indică o defecțiune, este normal.

Temperatura anumitor părți externe ale frigiderului este ridicată

- Temperaturile ridicate sunt necesare pentru a evita formarea apei de condens în anumite zone ale produsului

Peretele din spate al frigiderului are brumă sau picături de apă

- Este un lucru obișnuit, în condițiile de funcționare normală a produsului

În partea inferioară a frigiderului este apă

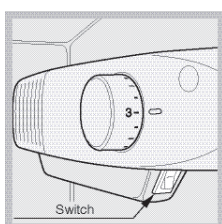
- Orificiul de evacuare a apei este obturat (*vezi Întreținere*).

Umiditate sau gheață excesivă în partea din spate a frigiderului.

- Dacă ușa compartimentului de păstrare rămâne deschisă pe perioade prea lungi, se pot forma umiditate sau gheață în exces. Problema se va rezolva de îndată ce ușa se va închide și se va permite compartimentului de păstrare să se dezghețe, eliminând umiditatea prezentă. Este vorba despre o situație normală pentru funcția de răcire a compartimentului de păstrare, mai ales pe timpul verii.

Frigider cald.

- Dacă temperatura mediului este egală sau mai mică de 16°C, de exemplu atunci când frigiderul este instalat într-un garaj sau într-un loc deschis, este necesar ca întrerupătorul să fie în poziția **ON** pentru ca frigiderul să funcționeze corect.



RO


Înainte de a apela Asistența:

- Verificați dacă puteți remedia singuri anomalia (vezi *Anomalii și remedii*).
- Dacă, în ciuda tuturor controalelor, aparatul nu funcționează și problema observată de dumneavoastră persistă, chemați centrul de asistență autorizat cel mai apropiat.

Comunicați:

- tipul de anomalie;
- modelul mașinii (Mod.);
- numărul de serie (S/N).

Aceste informații se găsesc pe plăcuța de caracteristici din frigider, în partea de jos, în stânga.

model				număr de serie			
Mod. RG 2330		TI	Cod. 90139 180000		S/N 704211801		
Cl. Min. yr.	S. Hz	150 W	W	Fuz.	A	Max. 17	
Total	340	75			Frez.	Capac.	Clas.
Gross Bruto	Gross Bruto	Net Util	Gross Bruto	Poder de Cong.	Clas.	N	
		Util		kg/24 h. 4,0	Clas.		
Compr. Syst.	R 134 a	T+st	Freezer+ HIGH-285				
Kompr.	kg 0,090	P.S.L	LOW 140				
Made in Italy 13213							

Nu apelați niciodată la persoane neautorizați și refuzați instalarea de piese de schimb care nu sunt originale.

Uputstva za rad

KOMBINOVANI FRIŽIDER/ZAMRZIVAČ

SR

GB

English, 1

DE

Deutsch, 11

F

Français, 21

I

Italiano, 31

E

Espanol, 41

P

Portuges, 51

HR

Hrvatski, 61

CZ

Česky, 71

HU

Magyar, 81

PL

Polski, 91

RO

Română, 101

SR

Srpski, 111

SK

Slovenčina, 121

CA 55 xx

CAA 55 xx

NCAA 55 xx

Sadržaj

Instalacija, 112-113

Postavljanje i povezivanje
Promena smera otvaranja vrata

Opis uređaja, 114

Opšti pregled

Puštanje u rad i korišćenje, 115-116

Pokretanje uređaja
Maksimalno korišćenje potencijala frižidera
Maksimalno korišćenje potencijala zamrzivača

Održavanje i nega, 117

Isključivanje uređaja
Čišćenje uređaja
Izbegavanje buđi i neprijatnih mirisa
Odmrzavanje uređaja
Zamena sijalice

Mere opreza i saveti, 118

Opšta bezbednost
Odlaganje
Poštovanje i očuvanje životne sredine

Vodič za rešavanje problema, 119

Pomoć, 120

Instalacija

SR

! Pre nego što pustite svoj novi uređaj u rad, pročitajte pažljivo ova uputstva za rad. Ona sadrže važne informacije za bezbedno korišćenje, postavljanje i negu uređaja.

! Sačuvajte ova uputstva za rad za buduću upotrebu. Prosledite ih eventualnim novim vlasnicima uređaja.

Postavljanje i povezivanje

Postavljanje

1. Uređaj postavite u dobro provetrenu prostoriju bez vlage.
2. Ne blokirajte rešetke ventilatora sa zadnje strane. Kompresor i kondenzator emituju toplotu i zahtevaju dobru ventilaciju za pravilan rad i uštedu energije.
3. Ostavite barem 10 cm prostora između gornjeg dela uređaja i bilo kog komada nameštaja koji se nalazi iznad njega, i barem 5 cm između bočnih strana i bilo kog komada nameštaja/bočnih zidova.
4. Uverite se da je uređaj udaljen od svih izvora toplote (direktna sunčeva svetlost, električni šporet itd.).
5. Da biste održali ispravno rastojanje između uređaja i zida iza njega, postavite razdelnike isporučene u kompletu za montažu prateći dostavljena uputstva.

Nivelisanje

1. Postavite uređaj na ravan i čvrst pod.
2. Ako pod nije potpuno vodoravan, izvršite potrebna podešavanja tako što ćete pritegnuti ili olabaviti jednu nožicu na prednjoj strani uređaja.

Povezivanje električnih komponenti

Nakon transporta uređaja, pažljivo ga postavite uspravno i sačekajte barem 3 sata pre nego što ga povežete na električnu mrežu. Pre ubacivanja utikača u električnu utičnicu, proverite sledeće:

- Uređaj je uzemljen i utikač je u skladu sa zakonom.
- Utičnica može da podnese maksimalnu snagu uređaja, koja je naznačena na pločici sa podacima koja se nalazi sa donje leve strane frižidera (npr. 150 W).
- Napon mora da bude u opsegu između vrednosti naznačenih na pločici sa podacima koja se nalazi sa donje leve strane frižidera (npr. 220-240 V).
- Utičnica je kompatibilna sa utikačem uređaja. Ako utičnica nije kompatibilna sa utikačem, zamolite ovlašćenog tehničara da je zameni (pogledajte odeljak Pomoć). Nemojte da koristite produžne kablove ili višestruke utičnice.

! Kada se uređaj postavi, kabl za napajanje i električna utičnica moraju biti lako dostupni.

! Kabl ne sme biti savijen ili sabijen.

! Potrebno je redovno proveravati kabl a zamenu sme da vrši samo ovlašćeni tehničar (pogledajte odeljak Pomoć).

! Proizvođač se odriče svake odgovornosti ukoliko se ne ispoštuju ove bezbednosne mere.

PROMENA SMERA OTVARANJA VRATA

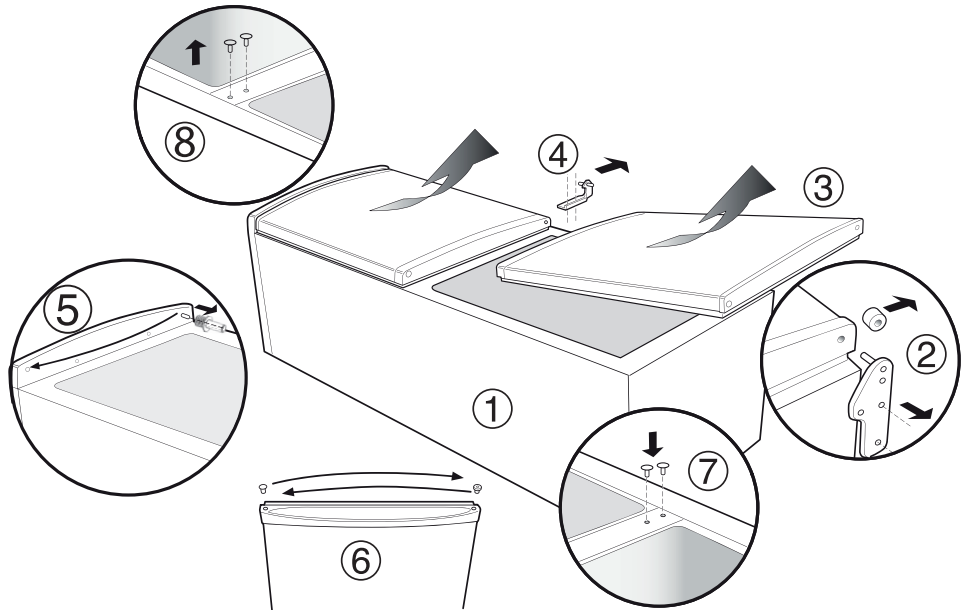
Upozorenje: Pre nego što pokušate da skinete vrata, isključite električno napajanje i izvucite utikač.

Preporučuje se da pre ove operacije izvučete sve nepričvršćene predmete/delove opreme iz uređaja i stavite hranu u izolovane posude.

Možda će vam biti potrebna pomoć da pažljivo okrenete uređaj na poledinu, na pogodne zaštitne materijale (tj. originalnu ambalažu).

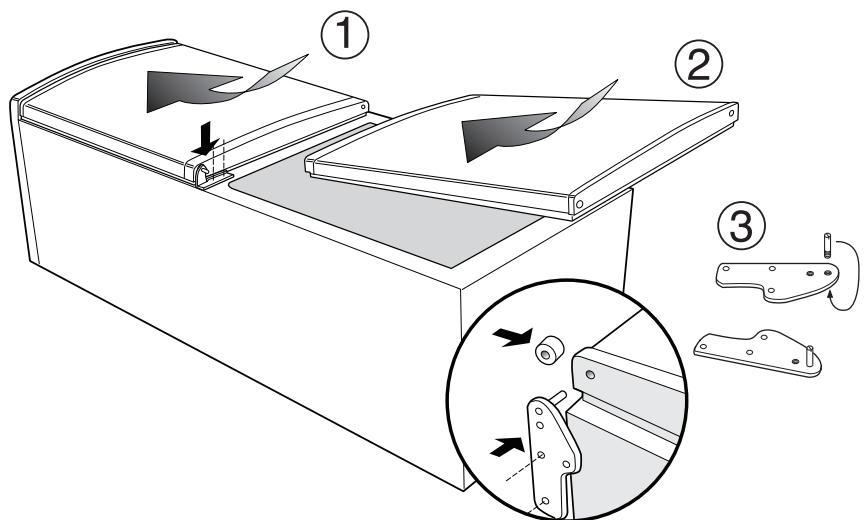
Skinite vrata

1. Okrenite uređaj na poledinu.
2. Odvrnite, skinite i sačuvajte donju šarku.
3. Polako otvorite donja vrata, gurnite ih nadole, skinite i pažljivo ih postavite na jednu stranu.
4. Skinite centralnu šarku i razdelnik, ako postoji. Polako otvorite gornja vrata, gurnite ih nadole, skinite i pažljivo ih postavite na jednu stranu.
5. Osigurač se skida i postavlja na suprotnu stranu.
6. Pomoću tankog tupog instrumenta skinite umetke gornje i donje šarke i slepe čepove sa vrata, vodeći računa da ne oštetite ručku vrata. Postavite slepe čepove i umetke na suprotnu stranu.
7. Postavite isporučene slepe čepove u dva otvora za centralnu šarku sa desne strane.
8. Pre premeštanja šarke sa desne na levu stranu, potrebno je skinuti zavrtanj na levoj ploči i postaviti ga na desnu ploču nakon premeštanja šarke.



Vraćanje vrata

1. Gurnite gornja vrata nagore i ubacite osigurač gornje šarke u umetak na vratima. Postavite centralnu šarku na suprotnu stranu.
2. Pažljivo gurnite donja vrata nagore u umetak centralne šarke.
3. Odvrnite umetak donje šarke i postavite ga na suprotnu stranu.
4. Pričvrstite donju šarku vodeći računa da vrata budu poravnata sa kućištem.
5. Pažljivo uspravite uređaj na željenom mestu i uverite se da stoji ravno na podu. Otvorite i zatvorite vrata kako biste proverili da li zaptivka dobro prijanja bez ikakvih zazora kada su vrata zatvorena.



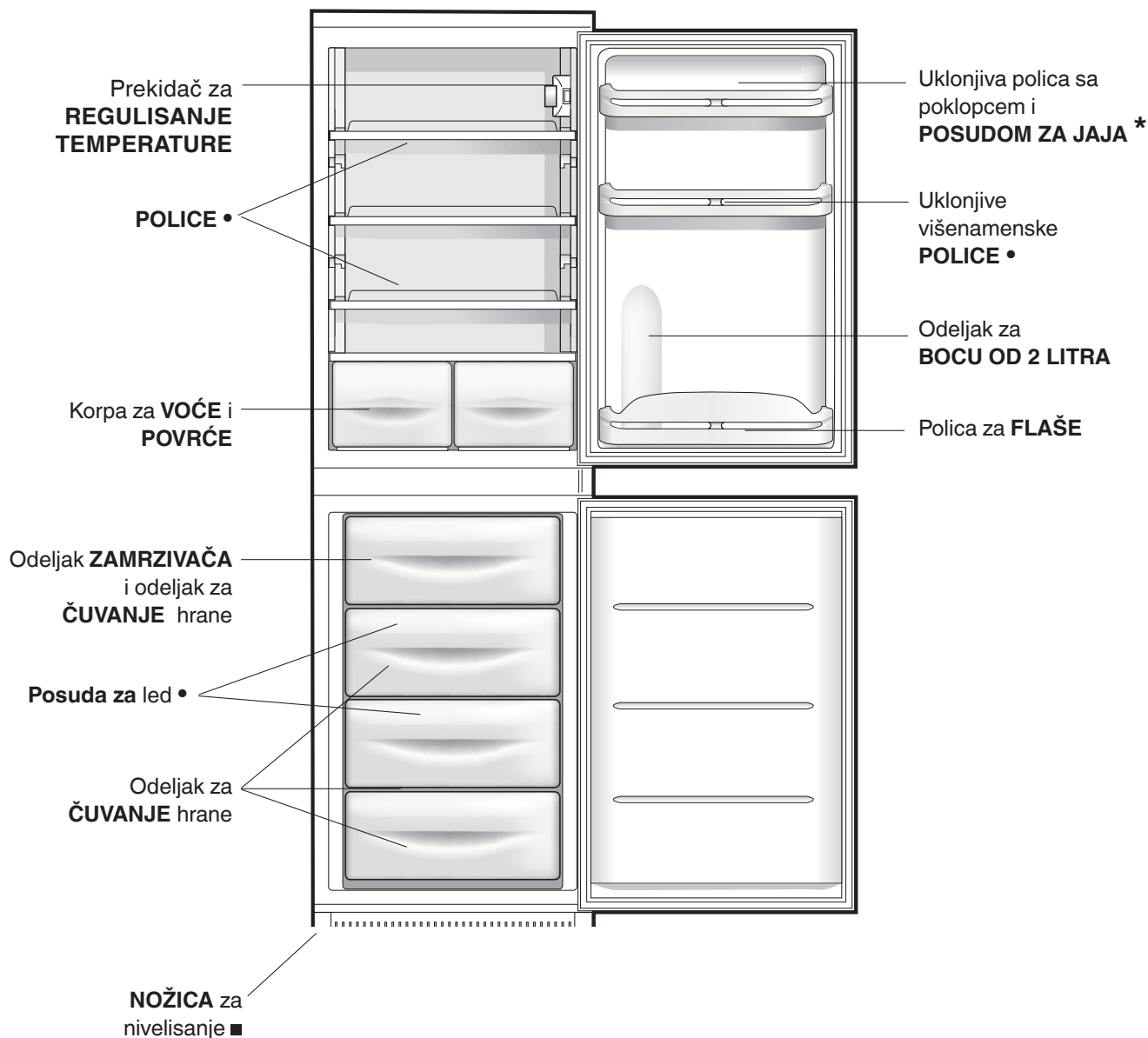
Napomena: Vratite nepričvršćene predmete/delove opreme u uređaj i sačekajte najmanje 15 minuta pre nego što ga ponovo uključite.

Opis uređaja

SR

Opšti pregled

Uputstva sadržana u ovom uputstvu su primenjiva na različite modele frižidera. Moguće je da šeme ne predstavljaju direktno kupljeni uređaj. Za kompleksnije funkcije, pogledajte sledeće stranice.



- Postoji samo jedna podesiva nožica.
- Razlikuje se prema broju i/ili položaju.
- * Dostupno samo na određenim modelima.

Pokretanje uređaja

! Pre pokretanja uređaja, pratite uputstva za postavljanje (pogledajte odeljak Postavljanje).

! Pre povezivanja uređaja, mlakom vodom i bikarbonatom dobro očistite odeljke i dodatni pribor.

1. Ubacite utikač u utičnicu i proverite da li unutrašnje svetlo radi.
2. Okrenite prekidač za PRILAGOĐAVANJE TEMPERATURE na prosečnu vrednost. Nakon nekoliko sati moći ćete da stavite hranu u frižider.

Maksimalno korišćenje potencijala frižidera

Temperatura u odeljku frižidera se automatski prilagođava u skladu sa položajem prekidača termostata.

1 = najtoplije **5** = najhladnije

Međutim, preporučujemo srednji položaj.

Rashladni deo frižidera se nalazi unutar zadnjeg zida odeljka frižidera da bi se dobilo više prostora i poboljšala estetika. Zadnji zid će tokom rada biti prekriven ledom ili kapljicama vode, u zavisnosti od toga da li kompresor radi ili je pauziran. Ne brinite, frižider normalno funkcioniše.

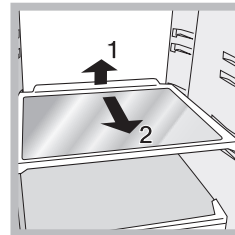
Ako je prekidač za PRILAGOĐAVANJE TEMPERATURE postavljen na visoke vrednosti sa velikim količinama hrane i visokom ambijentalnom temperaturom, uređaj može raditi neprekidno, što dovodi do prekomernog formiranja leda i prekomerne potrošnje energije: ovo možete rešiti tako što ćete okrenuti prekidač prema nižim vrednostima (automatski će doći do odmrzavanja).

Kod statičnih uređaja, vazduh cirkuliše na prirodan način: hladniji vazduh pada dole jer je teži.

Hranu treba uskladištiti na sledeći način:

Hrana	Raspored u frižideru
Sveža riba i meso	Iznad fioka sa voćem i povrćem
Svež sir	Iznad fioka sa voćem i povrćem
Kuvana hrana	Na bilo kojoj polici
Salama, vekne hleba, čokolada	Na bilo kojoj polici
Voće i povrće	U fiokama odeljka za voće i povrće
Jaja	Na za to namenjenoj polici
Puter i margarin	Na za to namenjenoj polici
Boce, pića, mleko	Na za to namenjenim policama

- U odeljak stavljajte samo hladnu ili mlaku hranu, a nikako vruću hranu (pogledajte odeljak Mere opreza i saveti).
- Imajte na umu da kuvana hrana ne traje duže od sirove.
- Ne čuvajte tečnosti u otvorenim posudama. One će povećati nivo vlažnosti u frižideru i dovesti do stvaranja kondenzacije.



POLICE: sa rešetkom ili bez nje. Zahvaljujući posebnim vodičama, police su uklonjive i visina je podesiva (pogledajte dijagram), što omogućava lako čuvanje velikih posuda i hrane. Visinu je moguće podesiti bez potpunog uklanjanja police.

Indikatorska lampica za **TEMPERATURU:** za pronalaženje najhladnijeg područja u frižideru.

1. Proverite da li se jasno vidi OK na indikatorskoj lampici (pogledajte šemu).



2. Ako se reč „OK“ (U redu) ne pojavi, to znači da je temperatura previsoka: postavite dugme REFRIGERATOR OPERATION (Rad frižidera) na viši položaj (hladnije) i sačekajte oko 10 sati da se temperature stabilizuje.
3. Ponovo proverite indikatorsku lampicu: ako je potrebno, izvršite ponovo podešavanje prateći inicijalni postupak. Ako su u frižider dodate velike količine hrane ili ako se vrata frižidera često otvaraju, normalno je da se na indikatoru ne prikazuje OK. Sačekajte najmanje 10 sati pre nego što postavite dugme REFRIGERATOR OPERATION (Rad frižidera) na viši položaj.

Higijena hrane

1. Pošto kupite hranu, skinite svu spoljnu papirnu/kartonsku ambalažu ili druge omote koji bi mogli da unesu bakterije ili prljavštinu u frižider.
2. Zaštitite hranu (naročito lako kvarljive artikle i one koji imaju jak miris) kako biste izbegli da se ona dodiruje, čime ćete eliminisati kako mogućnost kontaminacije mikrobima/bakterijama tako i širenje jakih mirisa unutar frižidera.
3. Svu hranu uskladištite tako da obezbedite slobodnu cirkulaciju vazduha između različitih artikala.
4. Održavajte unutrašnjost frižidera čistom, vodeći računa da ne koristite sredstva koja sadrže oksidanse ili abrazivne proizvode.

5. Uklonite iz frižidera svu hranu kojoj je istekao rok upotrebe.
6. Radi ispravnog čuvanja hrane, sve lako kvarljive artikle (meke sireve, sirovu ribu, meso itd.) treba držati u najhladnijoj zoni odeljka frižidera, tj. odmah iznad fioke za salatu gde se nalazi indikator temperature.

Maksimalno korišćenje potencijala zamrzivača

- Nemojte ponovo zamrzavati hranu koja se odmrzava ili koja je već odmrznuta. Ovu hranu je potrebno skuvati i pojesti (u roku od 24 sata).
- Sveža hrana koja treba da se zamrzne ne sme da dođe u dodir sa hranom koja je već odmrznuta. Sveža hrana mora da se čuva iznad rešetke u odeljku zamrzivača i, ako je moguće, da bude u direktnom dodiru sa zidovima (bočnim i zadnjim), gde temperatura pada ispod -18°C i garantuje brzo zamrzavanje.
- Nemojte u zamrzivač postavljati staklene flaše koje sadrže tečnosti i koje su zapušene ili hermetički zatvorene, jer bi mogle da puknu.
- Maksimalna količina hrane koju je moguće zamrznuti u toku dana je naznačena na pločici koja sadrži tehnička svojstva, koja se nalazi sa donje leve strane odeljka frižidera (na primer: Kg/24h: 4).
- Da biste dobili više prostora u odeljku zamrzivača, možete ukloniti fioke (osim najniže fioke i specijalne fioke u ZONI ZA HLADNO ODRŽAVANJE, koja ima podesivu temperaturu) i staviti hranu direktno na ploče isparivača.

! Nemojte otvarati vrata tokom zamrzavanja.

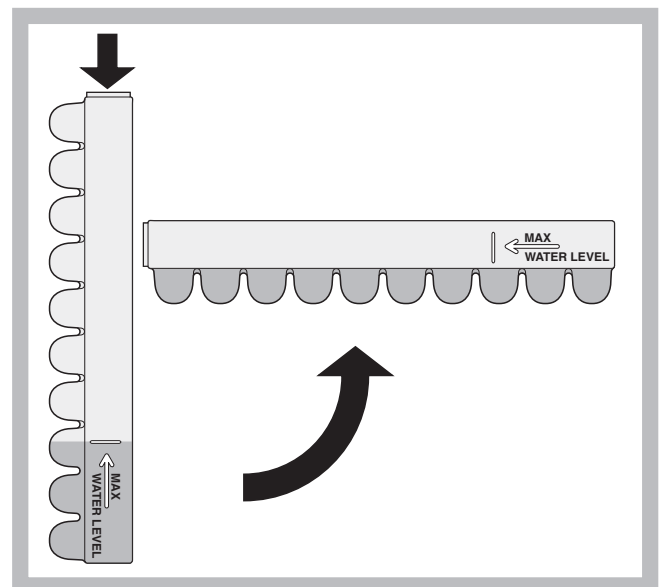
! Ako je došlo do nestanka struje ili kvara, nemojte otvarati vrata zamrzivača. To će pomoći da se održi temperatura u zamrzivaču, što će obezbediti čuvanje hrane tokom najmanje 9-14 sati.

! Ako sobna temperatura padne ispod 14°C tokom dužeg vremenskog perioda, u odeljku zamrzivača neće biti dostignuta idealna temperatura i čuvanje hrane će biti skraćeno.

Posuda za led

Činjenica da se nalaze u gornjem delu fioke zamrzivača obezbeđuje veću čistoću: led više ne dolazi u dodir sa hranom stavljenom u odeljak zamrzivača; osim toga, izbegnuto je kapanje vode tokom punjenja (obezbeđen je i poklopac za zatvaranje otvora nakon punjenja vodom).

1. Izvucite posudu tako što ćete je gurnuti nagore.
 - Proverite da li je posuda potpuno prazna i napunite je vodom do predviđenog otvora.
2. Vodite računa da ne premašite naznačeni nivo (MAX WATER LEVEL (Maksimalni nivo vode)). Višak vode sprečava vađenje kockica leda (ako se to dogodi, sačekajte da se led otopi i ispraznite posudu).
3. Okrenite posudu za 90° : zahvaljujući povezanim odeljcima, svaki kalup se puni vodom (pogledajte dijagram).
4. Zatvorite otvor poklopcem i vratite posudu nazad.
5. Kada se led formira (minimalno vreme oko 8 sati) udarite posudom o tvrdu površinu, navlažite spoljašnjost posude kako bi se kockice leda oslobodile i izvucite ih kroz otvor.



Isključivanje uređaja

Tokom čišćenja i održavanja neophodno je isključiti uređaj iz električne mreže:

Nije dovoljno postaviti prekidače za prilagođavanje temperature u položaj ● (isključen uređaj) da bi se eliminisao svaki električni kontakt.

Čišćenje uređaja

- Spoljašnji i unutrašnji delovi, kao i gumene zaptivke se mogu očistiti pomoću sunđera potopljenog u mlaku vodu i sodu-bikarbonu ili neutralni sapun. Nemojte koristiti rastvarače, abrazivna sredstva, izbeljivač niti amonijak.
- Uklonjivi dodatni pribor može da se potopi u toplu vodu i sapun ili tečnost za pranje sudova. Pažljivo ga isperite i osušite.
- Na zadnjoj strani uređaja se može nakupiti prašina, koju je moguće ukloniti pažljivim korišćenjem creva usisivača podešenog na srednju jačinu. Uređaj mora da bude isključen i utikač izvučen pre čišćenja uređaja.

Izbegavanje buđi i neprijatnih mirisa

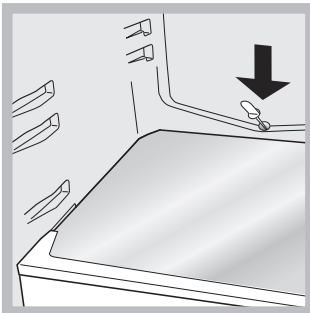
- Uređaj je proizveden od higijenskih materijala bez mirisa. Da bi frižider ostao bez mirisa i kako bi se sprečilo stvaranje fleka, hrana mora uvek da bude pravilno poklopljena ili zatvorena.
- Ako želite da isključite uređaj na duži vremenski period, očistite unutrašnjost i ostavite otvorena vrata.

Odmrzavanje uređaja

! Pratite uputstva koja slede.

Za odmrzavanje uređaja nemojte koristiti predmete sa oštrim ili zašiljenim vrhom jer oni mogu da oštete kolo za hlađenje tako da ono ne može da se popravi.

Odmrzavanje odeljka frižidera



Frižider ima funkciju automatskog odmrzavanja: voda se odvodi u zadnji deo uređaja kroz specijalni ispusni otvor (pogledajte dijagram), gde toplota koju proizvodi kompresor dovodi do njenog isparavanja. Neophodno je redovno čistiti ispusni otvor kako bi voda mogla lako da protiče.

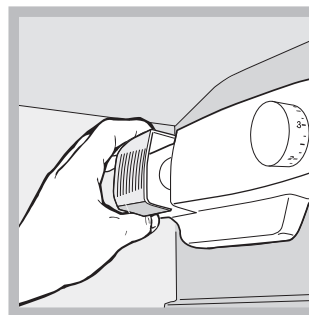
Odmrzavanje odeljka zamrzivača

Ako je sloj leda deblji od 5 mm, neophodno je obaviti ručno odmrzavanje:

1. Postavite prekidač za PRILAGOĐAVANJE TEMPERATURE u položaj ●.
2. Obmotajte smrznutu hranu novinom i stavite je u drugi zamrzivač ili na hladno mesto.
3. Ostavite vrata otvorena dok se led potpuno ne otopi. Ovo se može olakšati stavljanjem posuda sa mlakom vodom u odeljak zamrzivača.
4. Pažljivo očistite i osušite odeljak zamrzivača pre nego što ponovo uključite uređaj.
5. Sačekajte oko 2 sata pre nego što stavite hranu u odeljak zamrzivača, tj. dok se ponovo ne postignu idealni uslovi za skladištenje.

Zamena sijalice

Da biste zamenili sijalicu u odeljku frižidera, izvucite utikač iz električne utičnice. Pratite uputstva koja slede. Pristupite sijalici uklanjanjem poklopca, kao što je pokazano na šemi. Zamenite je sličnom sijalicom unutar opsega snage koji je naznačen na poklopcu (15W ili 25W).



Mere opreza i saveti

SR

! Uređaj je projektovan i proizveden u skladu sa međunarodnim bezbednosnim standardima. Sledeća upozorenja su data iz bezbednosnih razloga i moraju se pažljivo pročitati.



Ovaj uređaj je usklađen sa sledećim Direktivama Saveta:

- 73/23/EEC od 19. februara 1973. godine (Nizak napon) i naknadne izmene i dopune;
- 89/336/EEC od 3. maja 1989. godine (Elektromagnetna kompatibilnost) i naknadne izmene i dopune;
- 2002/96/CE.



Opšta bezbednost

- Uređaj je projektovan za kućnu upotrebu u domaćinstvima i nije namenjen komercijalnoj ili industrijskoj upotrebi.
- Uređaj moraju da za čuvanje i zamrzavanje hrane koriste samo odrasle osobe i u skladu sa uputstvima iz ovog uputstva.
- Uređaj ne sme da bude postavljen na otvorenom, čak ni u natkrivenim prostorima. Izuzetno je opasno ostaviti uređaj izložen kiši i olujama.
- Nemojte dodirivati uređaj bosonogi ili mokrim ili vlažnim rukama i stopalima.
- Nemojte dodirivati unutrašnje rashladne elemente: to može dovesti do otrebotina na koži ili promrzlina/ozeblina.
- Kada isključujete uređaj iz napajanja, uvek povucite utikač iz strujne utičnice, nemojte da vučete za kabl.
- Pre čišćenja i održavanja, uvek isključite uređaj i odvojite ga od napajanja električnom energijom. Nije dovoljno postaviti prekidače za prilagođavanje temperature u položaj ● (isključen uređaj) da bi se eliminisao svaki električni kontakt.
- U slučaju kvara, nemojte ni pod kojim uslovima da sami pokušavate da popravite uređaj. Popravke obavljene od strane neiskusnih osoba mogu da dovedu do telesne povrede ili još većeg kvara uređaja.
- Nemojte koristiti nikakav oštar ili zašiljeni pribor ili električnu opremu – osim vrste preporučene od strane proizvođača – unutar odeljaka za čuvanje zamrznute hrane.
- Nemojte stavljati u svoja usta kockice leda koje ste neposredno uzeli iz zamrzivača.
- Ovaj uređaj ne bi trebalo da koriste osobe (uključujući decu) sa smanjenim fizičkim, senzornim mogućnostima ili osobe koje nemaju iskustva ili znanja, osim u slučaju da su pod nadzorom ili da su dobili odgovarajuća uputstva koja se odnose na korišćenje uređaja od strane osobe odgovorne za njihovu bezbednost. Deca moraju biti pod nadzorom da bi se obezbedilo da se ne igraju sa uređajem.
- Čuvajte ambalažni materijal van domašaja dece! On bi mogao da predstavlja opasnost od davljenja ili gušenja.

Odlaganje

- Pridržavajte se lokalnih ekoloških standarda pri odlaganju ambalažnog materijala radi reciklaže.
- Evropska Direktiva 2012/19/EU o otpadnoj električnoj i elektronskoj opremi (WEEE) zahteva da stari kućni električni uređaji ne smeju da se odlažu u normalnom nerazvrstanom komunalnom toku otpada. Stari uređaji moraju da se zasebno sakupe u cilju optimizacije povraćaja i reciklaže materijala koje sadrže i smanjenja uticaja na ljudsko zdravlje i životnu sredinu. Simbol precrtane „kante sa točkovima“ na proizvodu vas podsećaju na vašu obavezu, da kada odlažete uređaj on mora biti zasebno sakupljen. Potrošači mogu da odnesu svoj stari uređaj u javna područja za prikupljanje otpada, druga područja za prikupljanje komunalnog otpada ili, ako to dopuštaju nacionalni zakonski propisi, da ga vrate maloprodavcu prilikom kupovine sličnog novog proizvoda. Svi veći proizvođači kućnih aparata su aktivni u pogledu kreiranja sistema za upravljanje prikupljanjem i odlaganjem starih uređaja.

Poštovanje i očuvanje životne sredine

- Uređaj postavite u čistu i dobro provetrenu prostoriju. Vodite računa da bude zaštićen od direktne sunčeve svetlosti i nemojte ga postavljati u blizini toplotnih izvora.
- Pokušajte da izbegnete da vrata budu dugo otvorena ili da prečesto otvarate vrata, u cilju uštede električne energije.
- Nemojte da puniti uređaj sa previše hrane: potrebno je da hladan vazduh neometano cirkuliše kako bi se hrana pravilno očuvala. Ako je cirkulacija otežana, kompresor će neprestano raditi.
- Nemojte stavljati toplu hranu direktno u frižider. Unutrašnja temperatura će se povećati i prisiliti kompresor da radi jače i troši više električne energije.
- Odmrznite uređaj ukoliko se formira led (pogledajte odeljak Održavanje). Debeo sloj leda otežava prenos hladnoće na prehrambene proizvode i dovodi do povećane potrošnje električne energije.
- Redovno proveravajte zaptivke na vratima i brišite ih krpom kako na njima ne bi bilo prljavštine i kako hladan vazduh ne bi izlazio napolje (pogledajte odeljak Održavanje).

Ako uređaj ne radi, pre poziva za Pomoć (pogledajte odeljak Pomoć), potražite rešenje u sledećoj listi.

Kvarovi:

Unutrašnje svetlo ne radi.

Frižider i zamrzivač ne hlade dobro.

Hrana u frižideru počinje da se zamrzava.

Motor neprekidno radi.

Uređaj pravi mnogo buke.

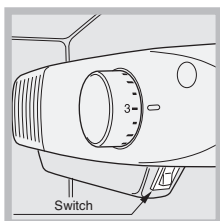
Neki od spoljašnjih delova frižidera postali su topli.

Zadnji zid jedinice frižidera je pokriven ledom ili kapljicama vode.

U dnu frižidera se pojavila voda.

Prekomerna vlaga/led na zadnjem delu frižidera.

Topao frižider



Mogući uzroci/rešenja:

- Utikač nije ubačen u utičnicu ili nije dovoljno daleko da bi se ostvario kontakt ili nema struje u kući.
- Vrata se ne zatvaraju pravilno ili su zaptivke oštećene.
- Vrata se prečesto otvaraju.
- Prekidač za PRILAGOĐAVANJE TEMPERATURE nije u ispravnom položaju.
- Frižider ili zamrzivač su prepunjeni.
- Atmosferska temperatura u području gde se uređaj nalazi je niža od 14°C.
- Prekidač za PRILAGOĐAVANJE TEMPERATURE nije u ispravnom položaju.
- Hrana je u dodiru sa zadnjim unutrašnjim zidom frižidera.
- Vrata nisu pravilno zatvorena ili su neprestano otvorena.
- Spoljna temperatura je veoma visoka.
- Debljina leda je veća od 2-3 mm (pogledajte odeljak Održavanje).
- Uređaj nije postavljen na ravnoj podlozi (pogledajte odeljak Postavljanje).
- Uređaj je postavljen između plakara koji vibriraju i prave buku.
- Unutrašnji rashladni gas pravi neznatnu buku čak i kad je kompresor isključen. To nije kvar, to je uobičajeno.
- Ove povišene temperature su neophodne da bi se izbeglo stvaranje kondenzacije na određenim delovima proizvoda.
- To pokazuje da uređaj radi normalno.
- Otvor za ispuštanje vode je začepljen (pogledajte odeljak Održavanje).
- Prekomerna vlaga/led će se pojaviti ako su vrata frižidera otvorena tokom dužeg vremenskog perioda. Oni će nestati kada se vrata zatvore i kada se frižideru omogući da se odmrzne i ispusti višak vlage. Ovo je uobičajeno za rashladnu funkciju odeljka frižidera, naročito u letnjem periodu.
- Ako je sobna temperatura 16°C ili niža (na primer ako se proizvod nalazi u garaži ili van zgrade), da bi frižider pravilno radio prekidač „Fast Freeze“ (Brzo zamrzavanje) mora da bude u položaju „ON“ (Uključeno).

Pre nego što zatražite pomoć:

- Proverite da li možete sami da rešite problem (pogledajte odeljak Otklanjanje problema).
- Ako i nakon svih provera, uređaj i dalje ne funkcioniše ili se problem nastavi, pozovite najbliži servisni centar

Saopštavajući:

- vrstu kvara
- model uređaja (Mod.)
- serijski broj (S/N)

Ovu informaciju je moguće pronaći na pločici sa podacima koja se nalazi sa donje leve strane odeljka frižidera.

model				serijski broj			
Mod.	RG 2330	TI		Cod.	93139180000	S/N	704211801
240 V	Hz	150 W	W	Fuse	A	Max	15
Total	340	75		Freez.	Capac	Class	
Gross Bruto Brut		Gross Bruto Brut	Net Util Utile	Gross Bruto Brut	Poder de Cong	Clase	N
					kg/24 h	4,0	Classe
Compr. Syst.	R 134 a	Test Pressure	HIGH-235				
Kompr.	kg 0,090	P.S-L	LOW 140				
Made in Italy	13918						

Nikada ne pozivajte neovlašćene tehničare i uvek odbijte rezervne delove koji nisu originalni.

Návod na používanie

KOMBINÁCIA CHLADNIČKA/MRAZNIČKA

SK

GB

English, 1

DE

Deutsch, 11

F

Français, 21

I

Italiano, 31

E

Espanol, 41

P

Portuges, 51

HR

Hrvatski, 61

CZ

Česky, 71

HU

Magyar, 81

PL

Polski, 91

RO

Română, 101

SR

Srpski, 111

SK

Slovenčina, 121

CA 55 xx

CAA 55 xx

NCAA 55 xx

Obsah

Montáž, 122-123

Umiestnenie a pripojenie

Obrátenie otvárania dverí

Opis spotrebiča, 124

Celkový pohľad

Spustenie a používanie, 125-126

Spustenie spotrebiča

Využívanie plného potenciálu chladničky

Využívanie celého potenciálu mrazničky

Údržba a starostlivosť, 127

Vypínanie spotrebiča

Čistenie spotrebiča

Ako sa vyhnúť plesni a nepríjemným pachom

Odmrazovanie spotrebiča

Výmena žiarovky

Preventívne opatrenia a tipy, 128

Všeobecná bezpečnosť

Likvidácia

Ochrana a zachovanie prostredia

Riešenie problémov, 129

Pomoc, 130

 **INDESIT**



Montáž

SK

! Pred uvedením nového spotrebiča do prevádzky si, prosím, pozorne prečítajte tento návod na obsluhu. Obsahuje dôležité informácie pre bezpečné používanie, inštaláciu a ošetrovanie spotrebiča.

! Tento návod na obsluhu si odložte na budúce použitie. Odovzdajte ho aj prípadným novým majiteľom spotrebiča.

Umiestnenie a pripojenie

Umiestnenie

1. Spotrebič umiestnite do dobre vetranej suchej miestnosti.
2. Nezakrývajte zadné mriežky ventilátora. Z kompresora a kondenzátora sála teplo a na správnu prevádzku a šetrenie energie je potrebné dobré vetranie.
3. Medzi vrchom spotrebiča a nábytkom nad ním nechajte aspoň 10 cm medzeru a aspoň 5 cm po bokoch od nábytku/ bočných stien.
4. Dbajte, aby spotrebič nebol v blízkosti zdrojov tepla (priame slnko, elektrický sporák a pod.).
5. Na zachovanie správnej vzdialenosti medzi spotrebičom a stenou za ním nasadte vymedzovacie vložky priložené v inštaláčnej súprave podľa uvedených pokynov.

Vyrovnanie

1. Spotrebič nainštalujte na pevnej a rovnej dlážke.
2. Ak podlaha nie je dokonale vodorovná, môžete potrebné úpravy urobiť utiahnutím alebo uvoľnením jednej nožičky v prednej časti spotrebiča.

Elektrické pripojenia

Po preprave spotrebič pozorne postavte do zvislej polohy a pred pripojením k elektrickej sieti počkajte minimálne 3 hodiny. Pre pripojením do zásuvky sa presvedčte, či sú splnené nasledujúce podmienky:

- Spotrebič je uzemnený a zástrčka spĺňa zákonné požiadavky.
- Zásuvka vydrží maximálny výkon spotrebiča, ktorý je uvedený na údajovom štítku umiestnenom na ľavej spodnej strane chladničky (napr. 150 W).
- Napätie musí byť v rozsahu medzi hodnotami uvedenými na údajovom štítku na ľavej spodnej strane (napr. 220 – 240 V).
- Zásuvka je kompatibilná so zástrčkou spotrebiča. Ak zásuvka nie je kompatibilná so zástrčkou, požiadajte autorizovaného technika o jej výmenu (pozrite Pomoc). Nepoužívajte predlžovacie káble ani rozdvojky.

! Po nainštalovaní spotrebiča musia byť prívodný kábel a elektrická zásuvka ľahko dostupné.

! Kábel nesmie byť ohnutý ani stlačený.

! Kábel treba pravidelne kontrolovať a smie ho vymeniť iba autorizovaný technik (pozrite Pomoc).

! Výrobca odmieta zodpovednosť v prípade nedodržania týchto bezpečnostných opatrení.

OBRÁTENIE OTVÁRANIA DVERÍ

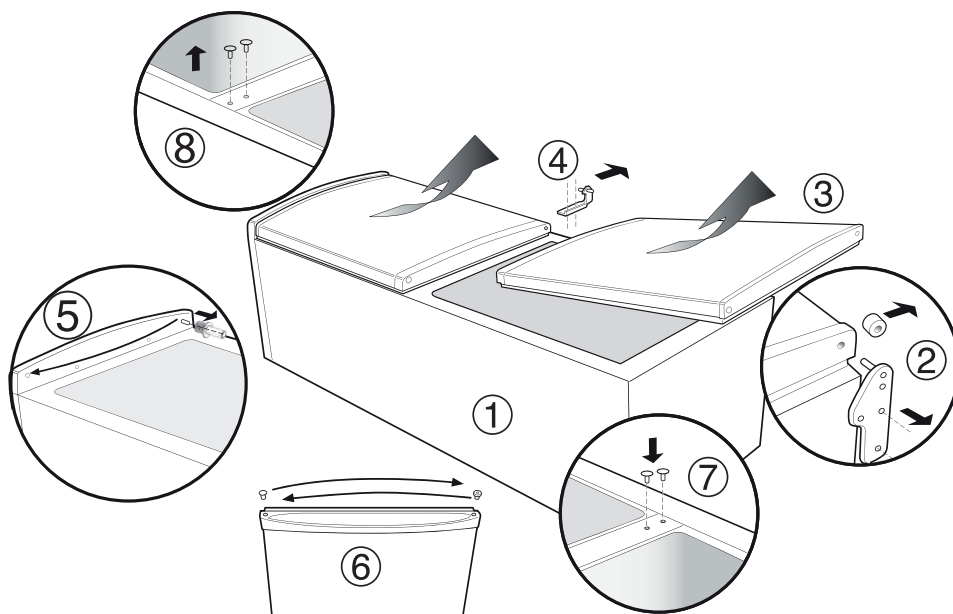
SK

Upozornenie: Pred odstránením dverí vypnite prívod elektriny a vytiahnite zástrčku zo siete.

Odporúča sa vybrať zo spotrebiča všetky voľné veci/vybavenie a potraviny počas tejto činnosti vložiť do uzavretých nádob. Zrejme budete potrebovať pomocníka, aby ste mohli opatrne položiť spotrebič na zadnú stenu na vhodný ochranný materiál (t. j. pôvodný obal).

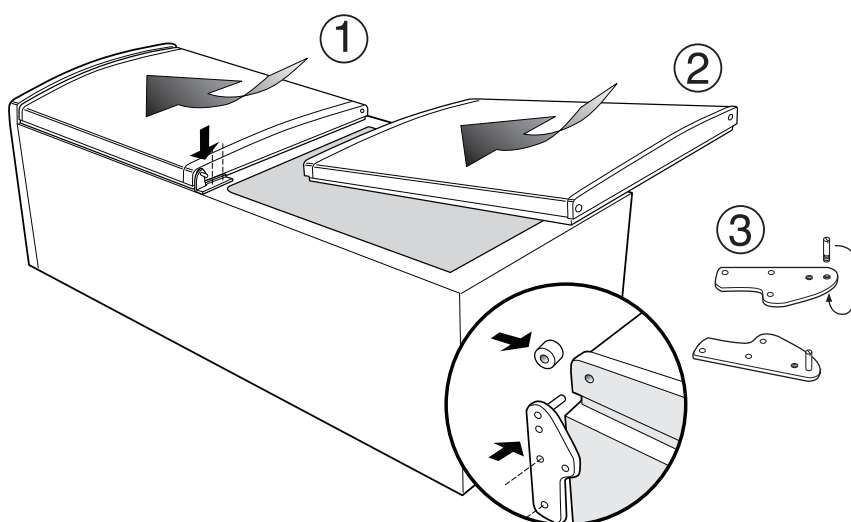
Odmontovanie dverí

1. Položte spotrebič na zadnú stenu.
2. Odskrutkujte, vyberte a odložte spodný pánt.
3. Pootvorte spodné dvere a posuňte ich nadol, vyberte a opatrne položte nabok.
4. Odstráňte stredný pánt a dištančnú vložku (ak je namontovaná). Pootvorte horné dvere a posuňte ich nadol, vyberte a opatrne položte nabok.
5. Kolík vytiahnite a pripevnite na opačnú stranu.
6. Pomocou tenkého tupého nástroja vyberte z dverí vrchné a spodné vložky a záslepky a dávajte pozor, aby ste nepoškriabali rukoväť dverí. Premiestnite záslepky a vložky na opačnú stranu.
7. Nasadíte záslepky do dvoch pravých dierok stredných pántov.
8. Pred preložením pántov z pravej na ľavú stranu treba odmontovať skrutku na ľavom paneli a po zmene umiestnenia pántov skrutku treba namontovať na pravý panel.



Nasadenie dverí

1. Posuňte dvere nahor a vložte vrchný kolík pántu do vložky dverí. Preložte stredný pánt na opačnú stranu.
2. Opatrne nasuňte spodné dvere nahor do kolíka stredného pántu.
3. Odskrutkujte kolík spodného pántu a namontujte na opačnú stranu.
4. Namontujte spodný pánt a dbajte pritom, aby boli dvere zarovnané so skriňou.
5. Opatrne postavte spotrebič kolmo na želané miesto a presvedčte sa, či stojí na dlážke rovno. Otvorte a zatvorte dvere, aby ste skontrolovali, či tesnenia dobre priliehajú, a keď sú dvere zatvorené, nevytvárajú medzery.



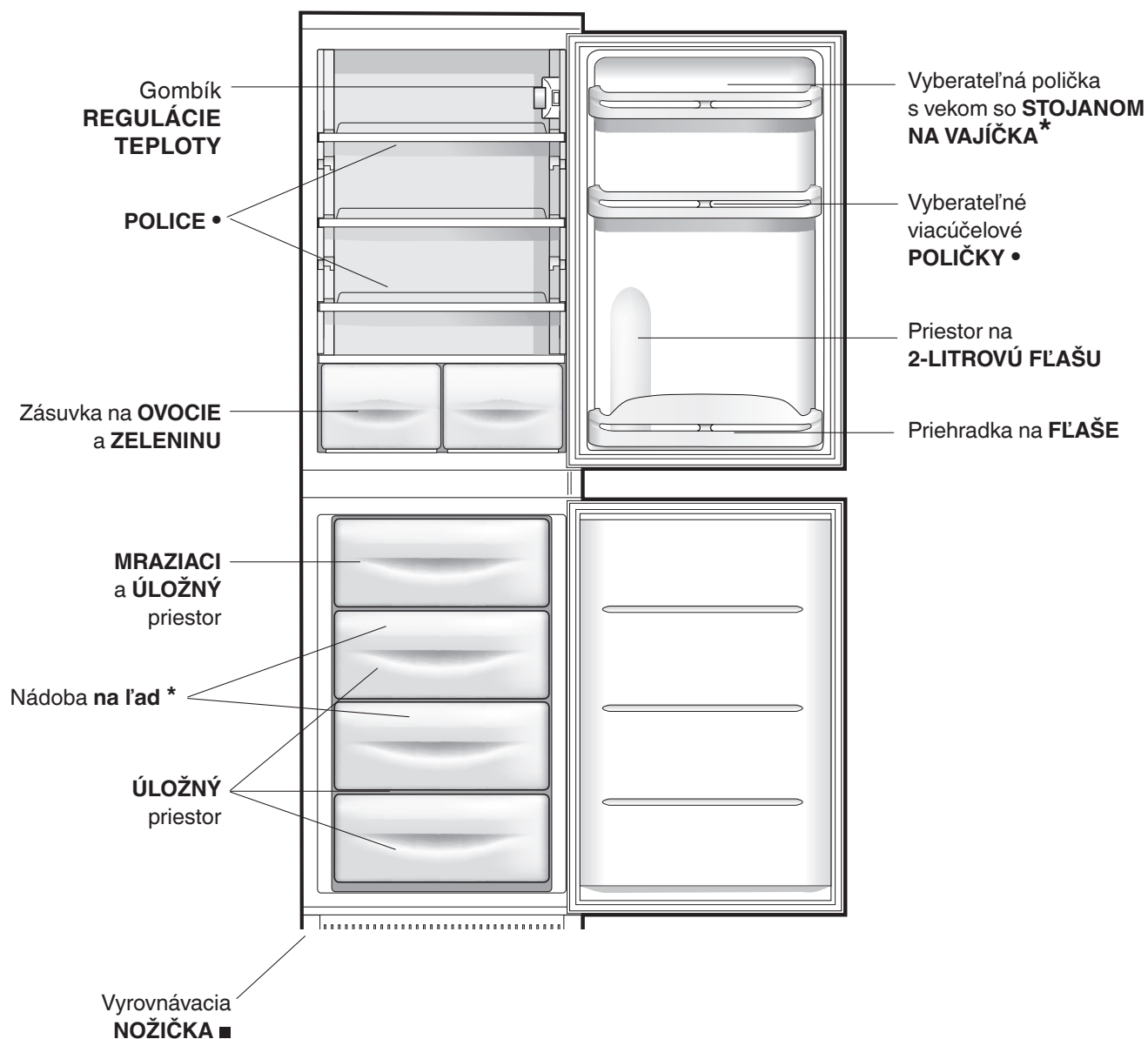
Poznámka: Uložte do spotrebiča voľné veci/vybavenie a po 15 minútach ho zapnite.

Opis spotrebiča

SK

Celkový pohľad

Pokyny v tomto návode platia pre rôzne modely chladničiek. Na obrázkoch nemusí byť presne zobrazený zakúpený spotrebič. Pri zložitejších funkciách si pozrite nasledujúce stránky.



■ Je iba jedna nastavovateľná nožička.

• Líši sa počtom a/alebo polohou.

* K dispozícii len pri niektorých modeloch.

Spustenie spotrebiča

! Pred spustením spotrebiča postupujte podľa pokynov na inštaláciu (pozri Inštalácia).

! Pred zapojením spotrebiča dobre umyte priehradky a príslušenstvo vlažnou vodou a bikarbonátom.

1. Zasuňte zástrčku do zásuvky a skontrolujte, či sa rozsvieti vnútorné svetlo.
2. Otočte gombík **NASTAVENIA TEPLoty** na priemernú hodnotu. Po niekoľkých hodinách budete môcť vložiť do chladničky potraviny.

Využívanie plného potenciálu chladničky

Teplota vnútri chladničky sa automaticky nastaví podľa polohy gombíka termostatu.

1 = najteplejšia **5** = najstudenšia

Odporúčame však strednú polohu.

Chladiaca časť chladničky sa z priestorových a estetických dôvodov nachádza vo vnútri zadnej steny chladničky.

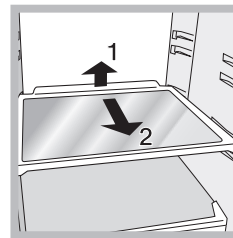
Počas prevádzky bude zadná stena pokrytá námrazou alebo kvapkami vody podľa toho, či kompresor pracuje alebo sa zastavil. Nemusíte sa obávať, chladnička funguje normálne.

Ak bol gombík **NASTAVENIA TEPLoty** nastavený na vysoké hodnoty s veľkým množstvom jedla a pri vysokej vonkajšej teplote, spotrebič môže pracovať nepretržite, čo má za následok nadmernú tvorbu námrazy a nadmernú spotrebu energie. Vyrovnajte to posunutím gombíka na nižšie hodnoty (automaticky sa začne odmrázovanie). V stojacich spotrebičoch vzduch cirkuluje prirodzeným spôsobom: chladnejší vzduch klesá nadol, lebo je ťažší. Potraviny by ste mali skladovať nasledovne:

Potraviny	Uloženie v chladničke
Čerstvé ryby a mäso	Nad zásuvkou na ovocie a zeleninu
Čerstvý syr	Nad zásuvkou na ovocie a zeleninu
Varené jedlá	Na hociktorej polici
Saláma, chlieb, čokoláda	Na hociktorej polici
Ovocie a zelenina	V zásuvkách na ovocie a zeleninu
Vajcia	Na určenej polici
Maslo a margarín	Na určenej polici
Fľaša, nápoje, mlieko	Na určených policiach

Ukladajte do chladničky iba studené alebo vlažné jedla, nie horúce (pozri Preventívne opatrenia a tipy).

- Pamätajte, že varené potraviny nevydržia dlhšie ako surové.
- Tekutiny neskladujte v otvorených nádobách. Zvyšujú vlhkosť v chladničke a spôsobujú tvorbu kondenzátu.



POLICE: s mriežkou alebo bez mriežky.

Vďaka špeciálnym vodiacim listám sú police vyberateľné a možno nastavovať ich výšku (pozri obrázok), a tak ľahko uskladňovať veľké nádoby a potraviny. Výšku možno nastaviť bez úplného

vybratia police.

Kontrolka **TEPLoty**: na identifikovanie najchladnejšej časti v chladničke.

1. Skontrolujte, či je na kontrolke indikátora jasne vidieť **OK** (pozrite obrázok).



2. Ak sa slovičko „OK“ nezobrazí, znamená to, že teplota je príliš vysoká: nastavte gombík **OVLÁDANIE CHLADNIČKY** na vyššiu pozíciu (nižšia teplota) a počkajte cca 10 hodín, kým sa teplota nestabilizuje.
3. Znovu skontrolujte kontrolku indikátora: v prípade potreby znovu nastavte podľa úvodného postupu. Ak bolo do chladničky pridané veľké množstvo jedla alebo sa dvere chladničky často otvárali, je normálne, že sa na indikátore nezobrazuje OK. Počkajte aspoň 10 hodín a potom zvolte ovládačom **PREVÁDZKA CHLADNIČKY** vyššie nastavenie.

Hygiena potravín

1. Z kúpeného jedla odstráňte všetky vonkajšie obaly z papiera/kartónu alebo iné obaly, z ktorých by sa do chladničky mohli dostať baktérie alebo špina.
2. Chráňte potraviny (najmä rýchlo sa kaziace potraviny a potraviny so silným zápachom), aby neboli v kontakte s ostatnými, čím zabránite kontaminácii mikróbmi/baktériami a šíreniu silných pachov v chladničke.
3. Ukladajte jedlo tak, aby medzi jednotlivými položkami mohol vzduch voľne prúdiť.
4. Udržujte vnútri chladničky čistotu, nepoužívajte prostriedky, ktoré spôsobujú oxidáciu, ani drsné prostriedky.

5. Odstráňte z chladničky všetky potraviny po záruke.
6. Pre správne uchovanie potravín by sa mali rýchlo sa kaziace potraviny (mäkké syry, surové ryby, mäso a pod.) ukladať v najchladnejšej zóne chladničky, t. j. nad zásuvkou na šaláty, kde sa nachádza ukazovateľ teploty.

Využívanie celého potenciálu mrazničky

- Nezamrazujte znova potraviny, ktoré sa rozmrazujú alebo sa už rozmrazili. Tieto potraviny musíte uvariť a zjesť (do 24 hodín).
- Čerstvé potraviny, ktoré sa majú zmraziť, nesmú prísť do kontaktu s jedlom, ktoré sa už rozmrazilo. Čerstvé potraviny musíte skladovať nad mriežkou v mraziacom priestore a ak je to možné, mali by sa dotýkať stien (bočných a zadnej), kde teplota klesne pod $-18\text{ }^{\circ}\text{C}$ a zabezpečí rýchle zmrazenie.
- Do mrazničky nekladte sklenené fľaše s tekutinou, ktoré sú zatvorené zátkou alebo hermeticky uzavreté, lebo by mohli prasknúť.
- Maximálne množstvo potravín, ktoré možno denne zmraziť, je uvedené na štítku s technickými vlastnosťami na spodnej ľavej strane priestoru chladničky (napríklad: kg/24 h: 4).
- Aby ste získali viac priestoru v mrazničke, môžete vybrať zásuvky (okrem najspodnejšej a špeciálnej zásuvky COOL CARE ZONE, ktorá má nastaviteľnú teplotu) a položiť potraviny priamo na dosky výparníka.

! Počas mrazenia neotvárajte dvere.

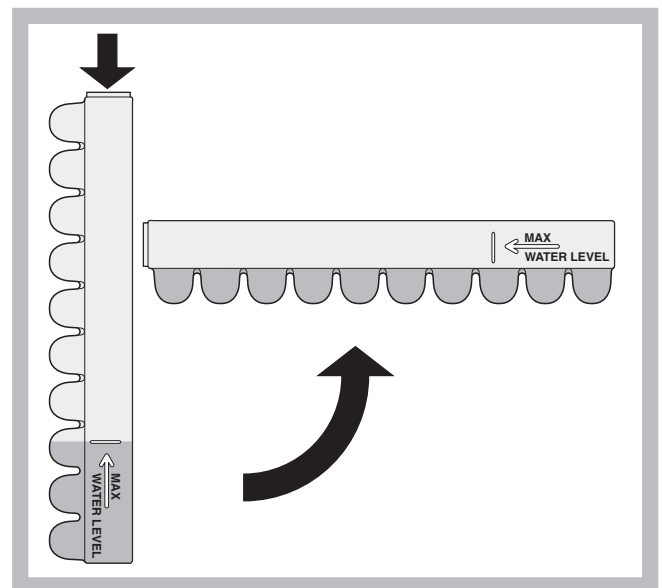
! V prípade prerušenia dodávky elektriny alebo pri poruche neotvárajte dvere mrazničky. Pomôže to udržať teplotu vnútri mrazničky a zabezpečuje konzervovanie potravín najmenej na 9 – 14 hodín.

! Ak teplota v miestnosti na dlhšiu dobu klesne pod $14\text{ }^{\circ}\text{C}$, v mraziacom priestore sa nedosiahne ideálna teplota a konzervovanie jedla sa skrúti.

Nádoba na ľad

To, že sa nachádza v hornej časti zásuviek mrazničky, zabezpečuje väčšiu čistotu: ľad neprichádza do kontaktu s potravinami uloženými v mraziacom priestore; navyše nedochádza ku kvapkaniu vody pri plnení (je priložené aj veko na zakrytie otvoru po naplnení vodou).

1. Vytiahnite nádobu zatlačením nahor. Skontrolujte, či je nádoba celkom prázdna, a cez určený otvor ju naplňte vodou.
2. Dávajte pozor, aby ste neprekročili vyznačenú úroveň (MAX HLADINA VODY). Nadmerné množstvo vody zabráni vybratiu kociek ľadu (ak sa to stane, počkajte, kým sa ľad roztopí, a nádobu vyprázdňte).
3. Otočte nádobu o 90° : vďaka spojeným priehradkám sa každá formička naplní vodou (pozri nákres).
4. Zatvorte otvor priloženým vrchnákom a vložte nádobu naspäť.
5. Keď sa ľad vytvoril (minimálny čas cca 8 hodín), buchnite nádobou o niečo tvrdé a zvonka ju navlhčite, aby sa kocky ľadu uvoľnili, a vyberte ich cez otvor.



Vypínanie spotrebiča

Počas čistenia a údržby je potrebné odpojiť spotrebič od prívodu elektriny:

Aby sa vylúčil elektrický kontakt, nestačí nastaviť gombíky regulácie teploty na ● (vypnutie spotrebiča).

Čistenie spotrebiča

- Vonkajšie aj vnútorné časti, ako aj gumové tesnenia, môžete vyčistiť špongiou namočenou do vlažnej vody so sódou bikarbónou alebo neutrálnym mydlom. Nepoužívajte rozpúšťadlá, abrazívne produkty, bieliadlá alebo čpavok.
- Vyberateľné príslušenstvo možno namočiť do teplej vody s mydlom alebo prostriedkom na umývanie riadu. Opláchnite ich a dôkladne osušte.
- Na zadnej stene spotrebiča sa môže usádzať prach, ktorý sa dá opatrne odstrániť hadicou vysávača nastaveného na stredný výkon. Pred čistením je potrebné spotrebič vypnúť a zástrčku vytiahnuť z elektrickej zásuvky.

Ako sa vyhnúť plesni a nepríjemným pachom

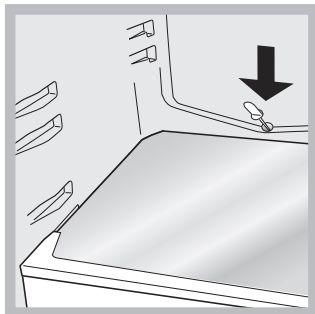
- Spotrebič sa vyrába z hygienických materiálov, ktoré sú bez pachu. Aby ste udržali chladničku bez zápachu a zabránili tvorbe škvŕn, potraviny musia byť vždy prikryté alebo hermeticky uzatvorené.
- Ak chcete spotrebič na dlhšiu dobu vypnúť, vnútro vyčistite a nechajte na ňom otvorené dvere.

Odmrazovanie spotrebiča

! Postupujte podľa nasledujúcich pokynov.

Na odmrazovanie spotrebiča nepoužívajte predmety s ostrými alebo špicatými okrajmi, pretože by mohli nenávratne poškodiť chladiaci okruh.

Odmrazovanie priestoru chladničky



Chladnička má funkciu automatického odmrazovania: voda sa odvádza do zadnej strany spotrebiča špeciálnym odtokom (pozri obrázok), kde sa vďaka teplu z kompresora vyparí. Odtokový otvor je potrebné pravidelne čistiť, aby voda mohla voľne odtekať.

Odmrazovanie priestoru mrazničky

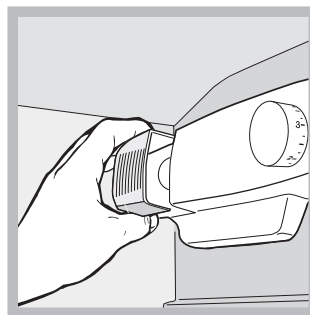
Ak je vrstva námrazy hrubšia ako 5 mm, je potrebné manuálne rozmrazovanie:

1. Nastavte gombík NASTAVENIA TEPLoty do polohy ●.
2. Zabalte zmrazené jedlo do novín a uložte ho do inej mrazničky alebo na chladné miesto.
3. Nechajte dvere otvorené, kým sa námraza celkom neroztopí. Vložením nádob s vlažnou vodou do mraziaceho priestoru to môžete uľahčiť.
4. Starostlivo mraziaci priestor vyčistite a utrite dosucha, až potom spotrebič znova zapnite.
5. Počkajte cca 2 hodiny, t.j. kým sa neobnovia ideálne skladovacie podmienky a potom vložte potraviny do mraziaceho priestoru.

Výmena žiarovky

Ak chcete vymeniť žiarovku v chladiacom priestore, vytiahnite zástrčku z elektrickej zásuvky. Postupujte podľa nasledujúcich pokynov.

K žiarovke sa dostanete po odložení krytu, ako je znázornené na obrázku. Nahradte ju podobnou žiarovkou s výkonom uvedeným na kryte (15 W alebo 25 W).



Preventívne opatrenia a tipy

SK

! Spotrebič bol skonštruovaný a vyrobený v súlade s medzinárodnými bezpečnostnými normami. Nasledujúce upozornenia uvádzame z bezpečnostných dôvodov a je potrebné pozorne si ich prečítať.



Spotrebič spĺňa požiadavky nasledujúcich smerníc Európskeho spoločenstva:

- 73/23/EHS z 19.02.73 (nízke napätie) v aktuálnom znení;



- 89/336/EHS z 03.05.89 (elektromagnetická kompatibilita) v aktuálnom znení;

- 2002/96/ES.

Všeobecná bezpečnosť

- Spotrebič bol určený na používanie v domácnosti a nie je určený na komerčné ani priemyselné používanie.
- Spotrebič musia na skladovanie a mrazenie potravín používať iba dospelé osoby a podľa pokynov v tomto návode .
- Spotrebič nesmie byť nainštalovaný vonku, ani na krytých miestach. Je mimoriadne nebezpečné nechať spotrebič vystavený dažďu a búrke.
- Nedotýkajte sa spotrebiča, keď ste naboso, ani keď máte mokré alebo vlhké ruky a nohy.
- Nedotýkajte sa vnútorných chladiacich prvkov: mohlo by to spôsobiť odratie pokožky alebo popálenie mrazom.
- Keď vyťahujete zástrčku spotrebiča zo zásuvky, nikdy neťahajte za kábel.
- Pred čistením a údržbou spotrebič vždy vypnite a odpojte od elektriny. Aby sa vylúčil elektrický kontakt, nestačí nastaviť gombíky regulácie teploty na ● (vypnutie spotrebiča).
- V prípade poruchy sa za žiadnych okolností nepokúšajte opraviť spotrebič sami. Ak opravy vykonávajú neskúsené osoby, môže dôjsť k zraneniu alebo ďalšej poruche spotrebiča.
- V priehradkách na skladovanie mrazených potravín nepoužívajte nijaké ostré ani špicaté náradie alebo elektrické zariadenia okrem tých, ktoré odporúča výrobca.
- Nedávajte si do úst kocky ľadu vybrané priamo z mrazničky.
- Tento spotrebič nie je určený nato, aby ho používali osoby (vrátane detí) so zníženými fyzickými, zmyslovými alebo duševnými schopnosťami, ani osoby s nedostatočnými skúsenosťami a vedomosťami o jeho obsluhu, ak nie je zabezpečený dohľad alebo poučenie o bezpečnom používaní spotrebiča osobou zodpovednou za ich bezpečnosť. Nenechávajte deti bez dozoru, aby ste si boli istí, že sa so spotrebičom nebudú hrať.
- Obalový materiál udržiavajte mimo dosahu detí! Hrozí nebezpečenstvo zadusenia.

Likvidácia

- Pri likvidácii obalového materiálu na recykláciu dodržujte miestne environmentálne predpisy.
- Európska smernica 2012/19/EÚ o odpade z elektrických a elektronických zariadení (OEEZ) vyžaduje, že elektrické spotrebiče z domácnosti sa nesmú likvidovať v rámci bežného netriedeného komunálneho odpadu. Staré spotrebiče sa musia zbierať osobitne, aby sa optimalizovalo využitie a recyklácia materiálov, ktoré obsahujú, a znížil sa dopad na ľudské zdravie a životné prostredie. Symbol prečiarknutého smetníka na výrobku vám pripomína povinnosť osobitného spôsobu likvidácie spotrebiča. Spotrebitelia môžu odviezť starý spotrebič do zberného strediska alebo na iné miesto zhromažďovania komunálneho odpadu, alebo ak to miestna legislatíva umožňuje, odovzdať ho predajcovi pri kúpe podobného produktu. Všetci veľkí predajcovia domácich spotrebičov sú zapojení do vytvárania systému zbierania a likvidácie starých spotrebičov.

Ochrana a zachovanie prostredia

- Spotrebič umiestnite do suchej a dobre vetranej miestnosti. Dbajte, aby bol chránený pred priamym slnečným svetlom a neumiestňujte ho do blízkosti zdrojov tepla.
- Snažte sa nenechávať dvere spotrebiča otvorené prídlho, ani ich neotvárajte príliš často, aby nedochádzalo k stratám energie.
- Neukladajte do spotrebiča priveľké množstvá potravín. Kvôli správne uchovaniu jedla musí studený vzduch voľne cirkulovať. Ak je cirkulácia narušená, kompresor bude pracovať nepretržite.
- Nevkladajte do chladničky jedlá, ktoré sú ešte horúce. Vnútorná teplota sa zvýši a spôsobí to, že kompresor bude pracovať intenzívnejšie a spotrebuje viac energie.
- V prípade, že sa tvorí ľad, spotrebič rozmrazte (pozrite Údržba). Hrubá vrstva ľadu sťažuje prenos chladu na potraviny a má za následok zvýšenú spotrebu energie.
- Pravidelne kontrolujte tesnenia dverí a utierajte ich, aby nich nezostali nečistoty, čím zabránite úniku chladného vzduchu (pozri Údržba).

Ak spotrebič nefunguje, prv než zavoláte pomoc (pozrite Pomoc), skúste nájsť riešenie v nasledujúcom zozname.

SK

Poruchy:

Vnútorné svetlo nesvieti.

Možné príčiny/riešenia:

- Zástrčka nie je v elektrickej zásuvke alebo nie je zasunutá dostatočne, aby vznikol kontakt, alebo v domácnosti nie je prúd.

Chladnička a mraznička dobre nechladi.

- Dvere sa nedajú poriadne zatvoriť alebo sú poškodené tesnenia.
- Dvere sa otvárajú príliš často.
- Gombík NASTAVENIA TEPLoty nie je v správnej polohe.
- Chladnička alebo mraznička sú preplnené.
- Teplota vzduchu v okolí spotrebiča je nižšia ako 14 °C.

Jedlo v chladničke začína mznúť.

- Gombík NASTAVENIA TEPLoty nie je v správnej polohe.
- Potraviny sa dotýkajú zadnej steny chladničky.

Motor beží nepretržite.

- Dvere nie sú poriadne zatvorené alebo sú stále otvorené.
- Vonkajšia teplota vzduchu je veľmi vysoká.
- Námraza je hrubšia ako 2 – 3 mm (pozri Údržba).

Spotrebič je priveľmi hlučný.

- Spotrebič nie je nainštalovaný na rovnom povrchu (pozri Inštaláciu).
- Spotrebič je nainštalovaný medzi skrinkami, ktoré vibrujú a hrkotajú.
- Vnútorné chladivo vydáva slabé zvuky, aj keď je kompresor vypnutý. Nejde o poruchu, je to normálne.

Niektoré vonkajšie časti spotrebiča sú horúce.

- Táto zvýšená teplota je potrebná, aby sa na určitých častiach spotrebiča netvoril kondenzát.

Zadnú stenu chladiaceho priestoru pokrýva námraza alebo kvapky vody.

- To je znakom, že spotrebič pracuje normálne.

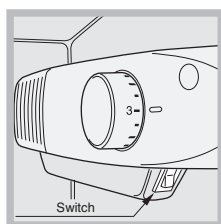
Na dne chladničky je voda.

- Odtokový otvor je upchatý (pozri Údržba).

Nadmerná vlhkosť / ľad vzadu v chladničke.

- Nadmerná vlhkosť / ľad vzniknú, ak sú dlho otvorené dvere. Zmiznú, keď sa dvere zatvoria, vnútro sa odmrázi a vlhkosť odtečie. Je to normálne pri chladiacej funkcii, najmä v lete.

Teplá chladnička



- Ak je teplota v miestnosti 16 °C alebo menej (napr. ak je spotrebič umiestnený v garáži alebo vonkajšej stavbe), spínač „Fast freeze“ (Rýchle mrazenie) musí byť v polohe ‘ON’ (Zap.), aby chladnička pracovala správne.


Prv než zavoláte pomoc:

- Skontrolujte, či poruchu nemôžete vyriešiť sami (pozri Riešenie problémov).
- Ak ani po všetkých kontrolách spotrebič nefunguje alebo problém pretrváva, zavolajte najbližšie servisné stredisko

Oznámte:

- typ poruchy
- model spotrebiča (Mod.)
- sériové číslo (S/N)

Tieto informácie nájdete na údajovom štítku na ľavej strane
naspodku priestoru chladničky.

spotrebiča				sériové číslo			
Mod.	RG 2330	TI		Cod.	93139180000	S/N	704211801
240 V~	Hz	150 W	W	Fuse	A	mm	Max 15
Total	340	75		Freez.	Capac	Class	
Gross Bruto Brut		Gross Bruto Brut	Net Util Utile	Gross Bruto Brut	Poder de Cong	Clase	N
					kg/24 h	4,0	Classe
Compr. Syst.	R 134 a	Test Pressure	HIGH-235				
Kompr.	kg 0,090	P-S-L	LOW 140				
Made in Italy 13918							

Nikdy nevolajte neoprávneného technika a vždy odmietajte náhradné diely, ktoré nie sú originálne.

400011477177

09/2020
