

DAILY REFERENCE GUIDE



THANK YOU FOR BUYING AN INDESIT PRODUCT.
In order to receive a more complete assistance, please register your appliance on: www.indesit.com/register

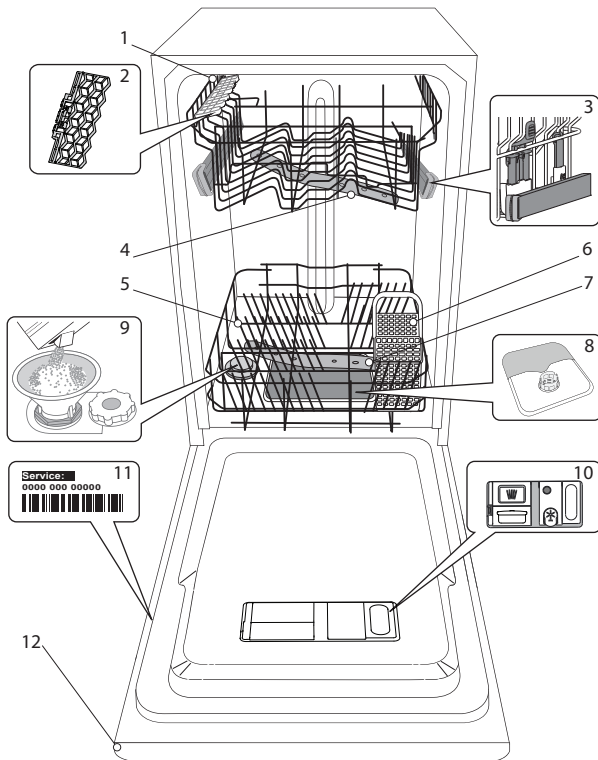
PLEASE SCAN THE QR CODE ON YOUR APPLIANCE IN ORDER TO HAVE MORE DETAILED INFORMATION



Before using the appliance carefully read Safety Instructions guide.

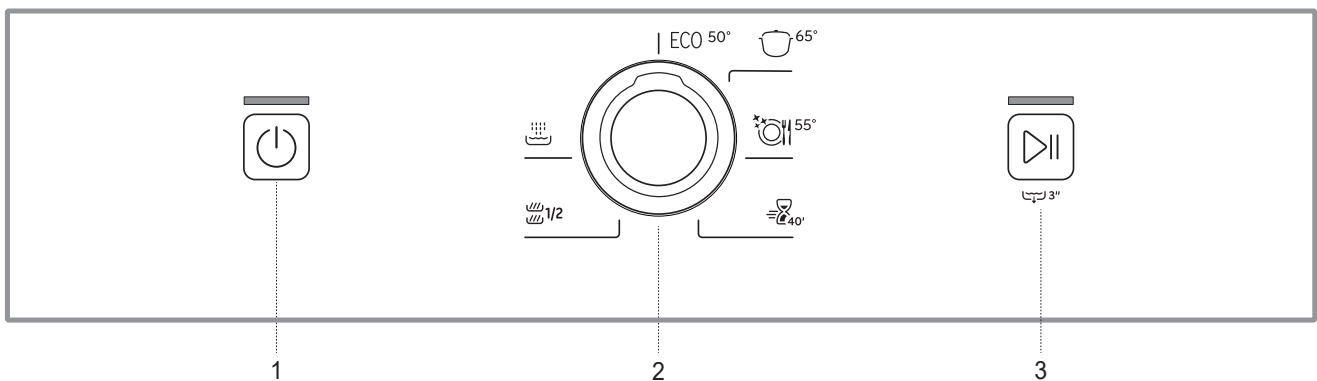
PRODUCT DESCRIPTION

APPLIANCE



1. Upper rack
2. Foldable flaps
3. Upper rack height adjuster
4. Upper spray arm
5. Lower rack
6. Cutlery basket
7. Lower spray arm
8. Filter Assembly
9. Salt reservoir
10. Detergent and Rinse Aid dispensers
11. Rating plate
12. Control panel

CONTROL PANEL



1. On-Off/Reset button with indicator light
2. Program selection knob
3. Start/Pause button with indicator light / Drain out

FIRST TIME USE

SALT, RINSE AID AND DETERGENT

ADVICE REGARDING THE FIRST TIME USE

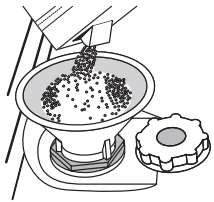
After installation, remove the stoppers from the racks and the retaining elastic elements from the upper rack.

FILLING THE SALT RESERVOIR

The use of salt prevents the formation of LIMESCALE on the dishes and on the machine's functional components.

- It is mandatory that **THE SALT RESERVOIR NEVER BE EMPTY**.
- It is important to set the water hardness.

The salt reservoir is located in the lower part of the dishwasher (see *PRODUCT DESCRIPTION*) and must be filled when the green float on the cap of the salt reservoir is no longer visible.



1. Remove the lower rack and unscrew the reservoir cap (anticlockwise).
2. **Only the first time you do this: fill the salt reservoir with water.**
3. Position the funnel (see figure) and fill the salt reservoir right up to its edge (approximately 1 kg); it is not unusual for a little water to leak out.
4. Remove the funnel and wipe any salt residue away from the opening.

Make sure the cap is screwed on tightly, so that no detergent can get into the container during the wash program (this could damage the water softener beyond repair).

Whenever you need to add salt, it is mandatory to complete the procedure before the beginning of the washing cycle to avoid corrosion.

SETTING THE WATER HARDNESS

To allow the water softener to work in a perfect way, it is essential that the water hardness setting is based on the actual water hardness in your house. This information can be obtained from your local water supplier.

The factory sets the default value for the water hardness:

- Switch on the appliance by pressing the **ON/OFF** button.
- Switch off the appliance by pressing the **ON/OFF** button.
- Hold down button **START/Pause** for 5 seconds.
- Switch on the appliance by pressing the **ON/OFF** button.
- The **ON/OFF LED** light will flash as many times as the level that was set.
- Set the desired water hardness level using the **PROGRAM SELECTION knob** (see *WATER HARDNESS TABLE*).

Water Hardness Table					
Level		°dH	°fH	°Clark	
		German degrees	French degrees	English degrees	
1	ECO Soft	0 - 6	0 - 10	0 - 7	
2	Medium	7 - 11	11 - 20	8 - 14	
3	Average	12 - 16	21 - 29	15 - 20	
4	Hard	17 - 34	30 - 60	21 - 42	
5	Very hard	35 - 50	61 - 90	43 - 62	

- Switch off the appliance by pressing the **ON/OFF** button.

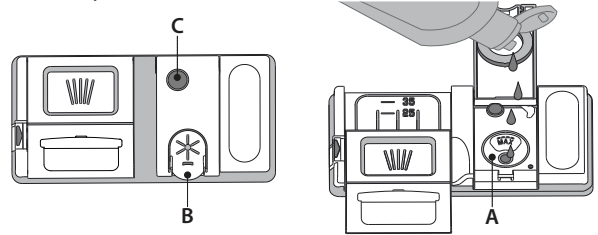
Setting is complete!

As soon as this procedure is complete, run a program without loading.

Only use salt that has been specifically designed for dishwashers. If the salt container is not filled, the water softener and the heating element may be damaged as a result of limescale accumulation. Using of Salt is recommended with any type of dishwasher detergent.

FILLING THE RINSE AID DISPENSER

Rinse aid makes dish DRYING easier. The rinse aid dispenser **A** should be filled when the dark optical indicator on the dispenser door **C** becomes transparent.



1. Open the dispenser **B** by pressing and pulling up the tab on the lid.
 2. Pour in the rinse aid (max.110 ml), making sure it does not overflow from the dispenser. If this happens, clean the spill immediately with a dry cloth.
 3. Press the lid down until you hear a click to close it.
- NEVER pour the rinse aid directly into the appliance tub.**

ADJUSTING THE DOSAGE OF RINSE AID

If you are not completely satisfied with the drying results, you can adjust the quantity of rinse aid used.

- Switch the dishwasher on using the **ON/OFF** button.
- Switch it off using the **ON/OFF** button.
- Press button **START/Pause** three times.
- Switch it on using the **ON/OFF** button.
- The **START LED** light will flash as many times as the level that was set.
- Set the level of rinse aid quantity to be supplied using the **PROGRAM SELECTION knob** (see *PROGRAMS TABLE*).
- Switch it off using the **ON/OFF** button

Setting is complete!

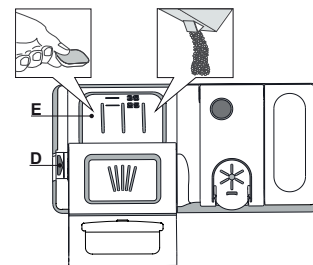
If the rinse aid level is set to 1 (ECO), no rinse aid will be supplied.

A maximum of 5 levels can be set according to the dishwasher model. The factory setting is specific to the model, please follow instruction above to check this for your machine

- If you see bluish streaks on the dishes, set a low number (2-3).
- If there are drops of water or limescale marks on the dishes, set a mid-range number (4-5).

FILLING THE DETERGENT DISPENSER

To open the detergent dispenser use the opening device **D**. Introduce the detergent into the dry dispenser **E** only. Place the amount of detergent for pre-washing directly inside the tub.









1. When measuring out the detergent refer to the mentioned earlier information to add the proper quantity. Inside the dispenser **E** there are indications to help the detergent dosing.
2. Remove detergent residues from the edges of the dispenser and close the cover until it clicks.
3. Close the lid of the detergent dispenser by pulling it up until the closing device is secured in place.

The detergent dispenser automatically opens up at the right time according to the program.

Usage of detergent not designed for dishwashers may cause malfunction or damage to the appliance.

PROGRAMS TABLE

Program	Drying phase	Duration of wash program (h:min) ^{*)}	Water consumption (litres/cycle)	Energy consumption (kWh/cycle)
1 Eco  50°	✓	4:00	11.5	0.78
2 Intensive  65°	✓	2:30	15.0	1.50
3 Mixed  55°	✓	2:25	15.0	1.35
4 Rapid 40'  45°	-	0:40	8.0	0.90
5 Half Load  50°	✓	1:15	11.0	0.90
6 Soak  -	-	0:10	4.0	0.01

ECO program data is measured under laboratory conditions according to European Standard EN 60436:2020.

Note for Test Laboratories:

For information on comparative EN testing conditions, please send an email to the following address: dw_test_support@whirlpool.com

Pre-treatment of the dishes is not needed before any of the programs.usly.

*) Values given for programs other than the program Eco are indicative only. The actual time may vary depending on many factors such as temperature and pressure of the incoming water, room temperature, amount of detergent, quantity and type of load, load balancing, additional selected options and sensor calibration. The sensor calibration can increase program duration up to 20 min.

PROGRAMS DESCRIPTION

Instructions on wash cycle selection.

1 ECO

Eco programme is suitable to clean normally soiled tableware, that for this use, it is the most efficient programme in terms of its combined energy and water consumption, and that it is used to assess compliance with the EU Ecodesign legislation.

2 INTENSIVE

Program recommended for heavily soiled crockery, especially suitable for pans and saucepans (not to be used for delicate items).

3 MIXED

Mixed soil. For normally soiled dishes with dried food residues.

4 RAPID 40'

Program to be used for half load of lightly-soiled dishes with no dried food residues Does not have drying phase.

5 HALF LOAD

Ideal for washing a half load of lightly or normally soiled crockery.

6 SOAK

Use to refresh crockery planned to be washed later. No detergent to be used with this program.

Notes:

Please note that cycle *Rapid 40'* is dedicated for lightly soiled dishes.

OPTIONS AND FUNCTIONS

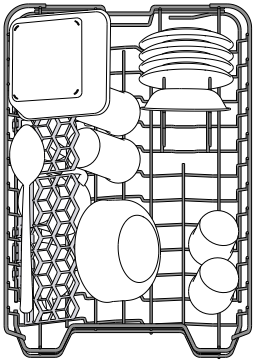
DRAIN OUT

To stop and cancel the active cycle, the Drain Out function can be used.

A long press of START/PAUSE button, will activate the DRAIN OUT function. The active program will be stopped and the water in the dishwasher will be drained out.

LOADING THE RACKS

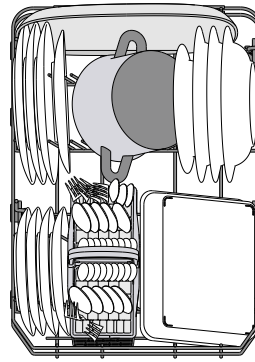
UPPER RACK



Load delicate and light dishes: glasses, cups, saucers, low salad bowls.

(loading example for the upper rack)

LOWER RACK



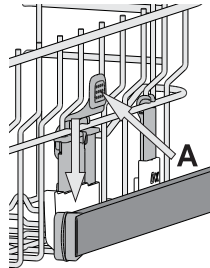
For pots, lids, plates, salad bowls, cutlery etc... Large plates and lids should ideally be placed at the sides to avoid interferences with the spray arm.

(loading example for the lower rack)

ADJUSTING THE HEIGHT OF THE UPPER RACK

The height of the upper basket can be adjusted: high position to place bulky crockery in the lower basket and low position to make the most of the tip-up compartments by creating more space upwards.

The upper rack is equipped with a **Upper Rack height adjuster** (see figure), without pressing the levers, lift it up by simply holding the rack sides, as soon as the rack is stable in its upper position. To restore to the lower position, press the levers **(A)** at the sides of the rack and move the basket downwards.



We strongly recommend that you do not adjust the height of the rack when it is loaded.

NEVER raise or lower the basket on one side only.

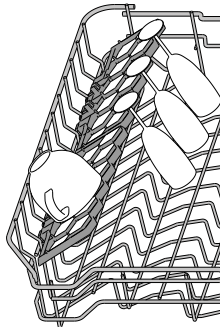
FOLDABLE FLAPS WITH ADJUSTABLE POSITION

The side foldable flaps can be fold or unfold to optimize the arrangement of crockery inside the rack.

Wine glasses can be placed safely in the foldable flaps by inserting the stem of each glass into the corresponding slots.

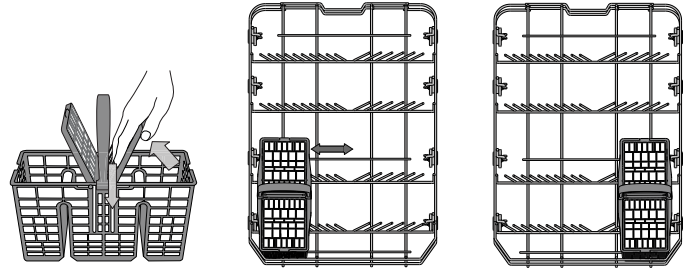
Depending on the model:

- to unfold the flaps there is needed to slide it up and rotate or release it from the snaps and pull it down.
- to fold the flaps there is needed to rotate it and slide flaps down or pull it up and attach flaps to the snaps.



CUTLERY BASKET

It is fitted with top grids for improved cutlery arrangement. It must only be positioned at the front of the lower rack.



Knives and other utensils with sharp edges must be placed in the cutlery basket with the points facing downwards or they must be positioned horizontally in the tip-up compartments on the upper rack.

DAILY USE

1. CHECK WATER CONNECTION

Check that the dishwasher is connected to the water supply and that the tap is open.

2. SWITCH ON THE DISHWASHER

Press the **ON/OFF** button.

3. LOAD THE RACKS

(see *LOADING THE RACKS*)

4. FILLING THE DETERGENT DISPENSER

5. CHOOSE THE PROGRAM AND CUSTOMISE THE CYCLE

Select the most appropriate program in accordance with the type of crockery and its soiling level (see *PROGRAMS DESCRIPTION*) by turning the **PROGRAM SELECTION knob** clockwise. Select the desired options (see *OPTIONS AND FUNCTIONS*).

6. START

Start the wash cycle by pressing the **START/Pause** button.

7. END OF WASH CYCLE

The end of the wash cycle is indicated by the **ON/OFF LED** lit. Switch off the appliance by pressing the **ON/OFF** button and open the door. Wait for a few minutes before removing the crockery - to avoid burns. Unload the racks, beginning with the lower one.

The machine will switch off automatically during certain extended periods of inactivity, in order to minimise electricity consumption. If the crockery is only lightly soiled or if it has been rinsed with water before being placed in the dishwasher, reduce the amount of detergent used accordingly.

MODIFYING A RUNNING PROGRAM

If a wrong program was selected, it is possible to change it, provided that it has only just begun: press and hold the **ON/OFF** button, the machine will switch off. Switch the machine back on using the **ON/OFF** button and select the new wash cycle and any desired options; start the cycle by pressing the **START/Pause** button.

ADDING EXTRA CROCKERY

Without switching off the machine, open the door (**be ware of HOT steam!**) and place the crockery inside the dishwasher. Close the door and press the **START/Pause** button the cycle will begin from the point at which it was interrupted.

ACCIDENTAL INTERRUPTIONS

If the door is opened during the wash cycle, or if there is a power cut, the cycle stops. Once the door has been closed or the electricity supply is restored, to start again the cycle from where it was interrupted, press the **START/Pause** button.

ADVICE AND TIPS

TIPS

Before loading the baskets, remove all food residues from the crockery and empty the glasses. **You do not need to rinse beforehand under running water.**

Arrange the crockery so that it is held in place firmly and does not tip over; and arrange the containers with the openings facing downwards and the concave/convex parts placed obliquely, thus allowing the water to reach every surface and flow freely.

Warning: lids, handles, trays and frying pans do not prevent the sprayer arms from rotating.

Place any small items in the cutlery basket.

Very soiled dishes and pans should be placed in the lower basket because in this sector the water sprays are stronger and allow a higher washing performance.

After loading the appliance, make sure that the sprayer arms can rotate freely.

UNSUITABLE CROCKERY

- Wooden crockery and cutlery.
- Delicate decorated glasses, artistic handicraft and antique crockery. Their decorations are not resistant.
- Parts in synthetic material which do not withstand high temperatures.
- Copper and tin crockery.
- Crockery soiled with ash, wax, lubricating grease or ink.

The colours of glass decorations and aluminium/silver pieces can change and fade during the washing process. Some types of glass (e.g. crystal objects) can become opaque after a number of wash cycles too.

DAMAGE TO GLASS AND CROCKERY

- Only use glasses and porcelain guaranteed by the manufacturer as dishwasher safe.
- Use a delicate detergent suitable for crockery
- Collect glasses and cutlery from the dishwasher as soon as the wash cycle is over.

TIPS ON ENERGY SAVING

- When the household dishwasher is used according to the manufacturer's instructions, **washing tableware in a dishwasher usually consumes less energy and water than hand dishwashing.**
- In order to maximize dishwasher efficiency it is recommended to **initiate the wash cycle once dishwasher is fully loaded.** Loading the household dishwasher up to the capacity indicated by the manufacturer will contribute to energy and water savings. Information on correct loading of tableware can be found in Loading chapter. In case of partial loading it is recommended to use dedicated wash options if available (Half load/ Zone Wash, Multi Zone), filling up only selected racks. Incorrect loading or overloading the dishwasher may increase resources usage (such as water, energy and time, as well as increase noise level), reducing cleaning and drying performance.
- Manual pre-rinsing of tableware items leads to increased water and energy consumption and is not recommended.

HYGIENE

To avoid odour and sediment which can be accumulated in the dishwasher **please run a high temperature program at least one a month.** Use a tea spoon of detergent and run it without the loading to clean your appliance.

CARE AND MAINTENANCE

CLEANING THE FILTER ASSEMBLY

Regularly clean the filter assembly so that the filters do not clog and that the waste water flows away correctly.

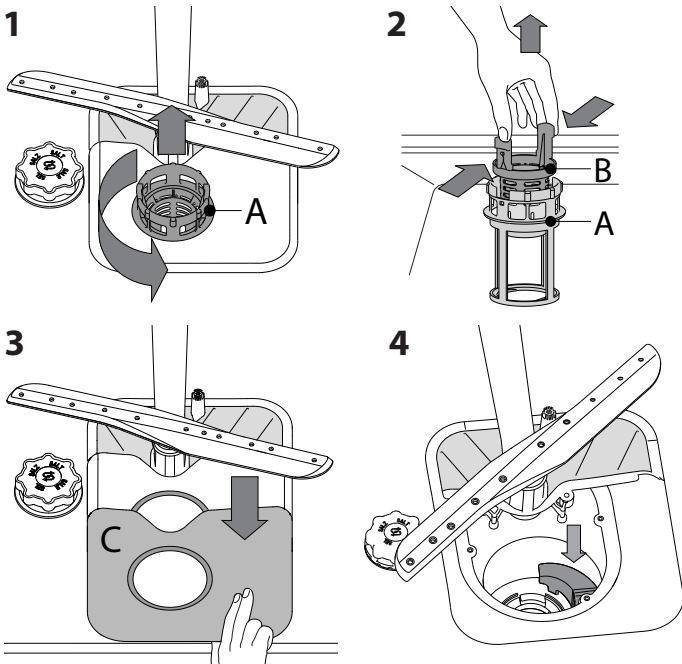
Using dishwasher with clogged filters or foreign objects inside filtration system or sprayarms may cause unit malfunction resulting in lose of performance, noisy work or higher resources usage.

The filter assembly consists of three filters which remove food residues from the washing water and then recirculate the water.

The dishwasher must not be used without filters or if the filter is loose.

At least once per month or after each 30 cycles, check the filter assembly and if necessary clean it thoroughly under running water, using a non-metallic brush and following the instructions below:

1. Turn the cylindrical filter **A** in an anti-clockwise direction and pull it out (Fig 1).
2. Remove the cup filter **B** by exerting a slight pressure on the side flaps (Fig 2).
3. Slide out the stainless-steel plate filter **C** (Fig 3).
4. In case you find foreign objects (such as broken glass, porcelain, bones, fruit seeds etc.) **please remove them carefully.**
5. Inspect the trap and remove any food residues. **NEVER REMOVE** the wash-cycle pump protection (black detail) (Fig 4)..



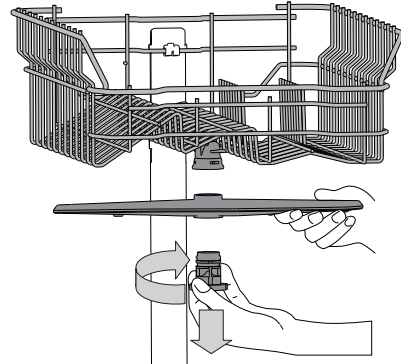
After cleaning the filters, re-place the filter assembly and fix it in position correctly; this is essential for maintaining the efficient operation of the dishwasher.

CLEANING THE WATER INLET HOSE

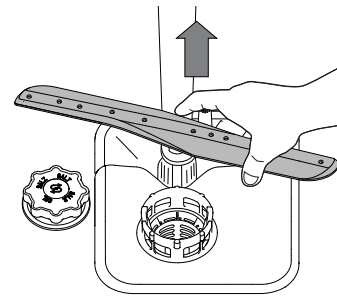
If the water hoses are new or have not been used for an extended period of time, let the water run to make sure it is clear and free of impurities before performing the necessary connections. If this precaution is not taken, the water inlet could become blocked and damage the dishwasher.

CLEANING THE SPRAY ARMS

On occasions, food residue may become encrusted onto the spray arms and block the holes used to spray the water. It is therefore recommended that you check the arms from time to time and clean them with a small non-metallic brush.



To remove the upper spray arm, turn the plastic locking ring in a clockwise direction. The upper spray arm should be replaced so that the side with the greater number of holes is facing upwards.



The lower spray arm may be removed by pulling it upwards.

WATER SOFTENING SYSTEM

Water softener automatically reduces water hardness, consequently preventing scale buildup on heater, contributing also to better cleaning efficiency.

This system regenerates itself with salt, therefore it is required to refill salt container when empty.

Frequency of regeneration depends on water hardness level setting - regeneration takes place once per 5 Eco cycles with water hardness level set to 3.

Regeneration process starts in final rinse and finishes in drying phase, before cycle ends.

- Single regeneration consumes: ~3.5L of water;
- Takes up to 5 additional minutes for the cycle;
- Consumes below 0.005kWh of energy.

TROUBLESHOOTING

In case your dishwasher doesn't work properly, check if the problem can be solved by going through the following list. For other errors or issues please contact authorized After-sales Service which contact details can be found in the warranty booklet. Spare parts will be available for a period of either up to 7 or up to 10 years, according to the specific Regulation requirements.

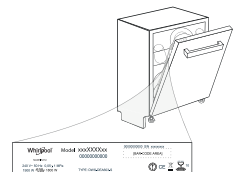
PROBLEMS	POSSIBLE CAUSES	SOLUTIONS
The dishwasher won't start or does not respond to commands.	The appliance has not been plugged in properly.	Insert the plug into the socket.
	Power outage.	For safety reasons, dishwasher will not restart automatically when power returns. Press the START/Pause button to resume the cycle.
	The dishwasher door is not closed.	Vigorously push the door until you hear the "click".
	Cycle is interrupted by door opening for > 4 sec.	Close the door and press the START/Pause button.
The dishwasher won't drain.	It does not respond to commands.	Switch off the appliance by pressing the ON/OFF button, switch it back on after approximately one minute and restart the program. If problem persists, unplug the appliance for 1 minute, then plug it back in.
	The wash cycle has not finished yet.	Wait until the wash cycle finishes.
	The drain hose is bent.	Check that the drain hose is not bent (see <i>INSTALLATION INSTRUCTION</i>).
	The sink drain pipe is blocked.	Clean the sink drain pipe.
The dishwasher makes excessive noise.	The filter is clogged up with food residues.	Clean the filter (see <i>CLEANING THE FILTER ASSEMBLY</i>).
	The dishes are rattling against each other.	Position the crockery correctly (see <i>LOADING THE RACKS</i>).
The dishes are not clean.	An excessive amount of foam has been produced.	The detergent has not been measured out correctly or it is not suitable for use in dishwashers (see <i>FILLING THE DETERGENT DISPENSER</i>). Restart dishwasher by pressing the DRAIN button (see <i>OPTIONS AND FUNCTIONS</i>) and run new program without detergent.
	The crockery has not been arranged properly.	Arrange the crockery correctly (see <i>LOADING THE RACKS</i>).
	The spray arms cannot rotate freely, being hindered by the dishes.	Arrange the crockery correctly (see <i>LOADING THE RACKS</i>).
	The wash cycle is too gentle.	Select an appropriate wash cycle (see <i>PROGRAMS TABLE</i>).
	An excessive amount of foam has been produced.	The detergent has not been measured out correctly or it is not suitable for use in dishwashers (see <i>FILLING THE DETERGENT DISPENSER</i>).
	The cap on the rinse aid compartment has not been shut correctly.	Make sure the cap of the rinse aid dispenser is closed.
	The filter is soiled or clogged.	Clean the filter assembly (see <i>CARE AND MAINTENANCE</i>).
The dishwasher does not fill the water. All LEDs are blinking rapidly.	There is no salt.	Fill the salt reservoir (see <i>FILLING THE SALT RESERVOIR</i>).
	No water in the water supply or the tap is closed.	Make sure there is water in the water supply or the tap running.
	The inlet hose is bent.	Make sure the inlet hose is not bent (see <i>INSTALLATION</i>) reprogram the dishwasher and reboot.
Dishwasher finishes the cycle prematurely.	The sieve in the water inlet hose is clogged; it is necessary to clean it.	After having carried out the verification and cleaning, turn off and turn on the dishwasher and restart a new program.
	Drain hose positioned too low or siphoning into home sewage system.	Check if end of drain hose is placed at correct height (see <i>INSTALLATION</i>). Check for siphoning into home sewage system, install air admittance valve if necessary.
	Air in water supply.	Check water supply for leaks or other issues letting air inside.



Policies, standard documentation, ordering of spare parts and additional product information can be found by:

- Visiting our website docs.indesit.eu and parts-selfservice.whirlpool.com
- Using QR Code
- Alternatively, **contact our After-sales Service** (See phone number in the warranty booklet). When contacting our After-sales Service, please state the codes provided on your product's identification plate.

The model information can be retrieved using the QR-Code reported in the energy label. The label also includes the model identifier that can be used to consult the portal of the registry at <https://eprel.ec.europa.eu>.



РЪКОВОДСТВО ЗА ВСЕКИДНЕВНА СПРАВКА



БЛАГОДАРИМ ВИ, ЧЕ ЗАКУПИХТЕ ПРОДУКТ НА INDESIT. За по-пълно съдействие и поддръжка, моля, регистрирайте изделието си на:
www.indesit.com/register

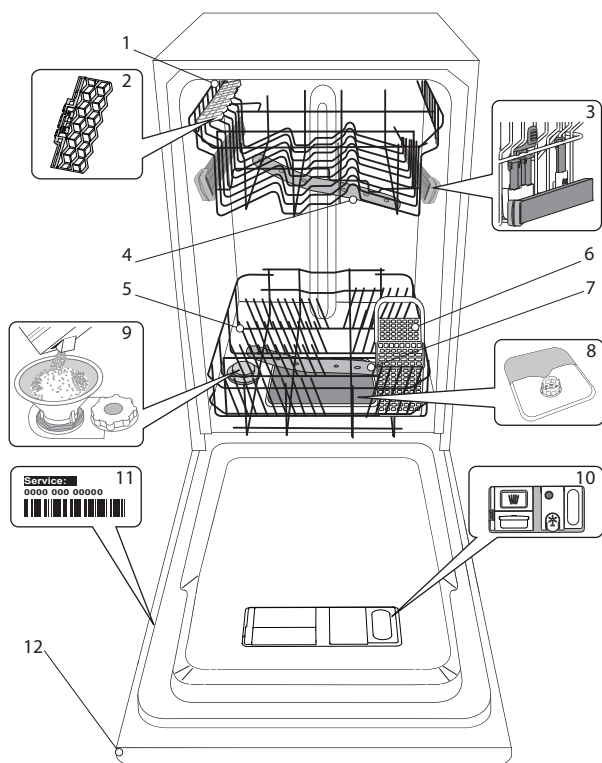
ЗА ПОЛУЧАВАНЕ НА ПО-ПОДРОБНА ИНФОРМАЦИЯ, МОЛЯ, СКАНИРАЙТЕ QR КОДА НА ВАШИЯ УРЕД



⚠ Преди да използвате уреда, прочетете внимателно инструкциите за безопасност.

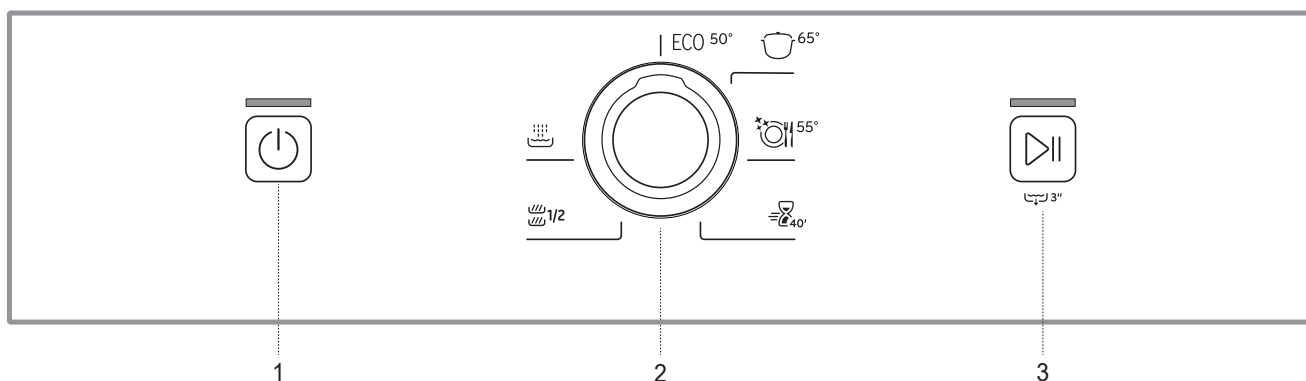
ОПИСАНИЕ НА ПРОДУКТА

УРЕД



1. Горна кошница
2. Сгъваеми капаци
3. Регулатор за височината на горната кошница
4. Горно разпръскващо рамо
5. Долна кошница
6. Кошничка за прибори
7. Долно разпръскващо рамо
8. Филтърен възел
9. Резервоар за сол
10. Дозатори за препарат и помощно средство за изплакване
11. Табелка с данни
12. Контролен панел

КОНТРОЛЕН ПАНЕЛ



1. Бутон Вкл.-Изкл./Нулиране със светлинен индикатор
2. Въртящ се бутон за избор на програма
3. Бутон Старт/Пауза със светлинен индикатор/ Източване

УПОТРЕБА ЗА ПРЪВ ПЪТ

СОЛ, ПОМОЩНО СРЕДСТВО ЗА ИЗПЛАКВАНЕ И ПОЧИСТВАЩ ПРЕПАРАТ

СЪВЕТИ ЗА УПОТРЕБА ЗА ПЪРВИ ПЪТ

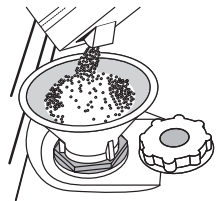
След монтаж отстранете блокиращите елементи от кошниците и задръжачите ластиси от горната кошница.

ЗАРЕЖДАНЕ НА РЕЗЕРВОАРА ЗА СОЛ

Използването на сол предотвратява образуването на КОТЛЕН КАМЪК по съдовете и функционалните компоненти на машината.

- Задължително е **РЕЗЕРВОАРЪТ ЗА СОЛ НИКОГА ДА НЕ ОСТАВА ПРАЗЕН.**
- Важно е да зададете твърдостта на водата.

Резервоарът за сол се намира в долната част на съдомиялната машина (вж. „ОПИСАНИЕ НА ПРОДУКТА“) и трябва да се допълва със сол, когато зеленият поплавък на капачката не се вижда.



1. Отстранете долната кошница и развийте капачката на резервоара (обратно на часовниковата стрелка).
2. Само първия път правите това: **напълнете резервоара за сол с вода.**
3. Поставете фунията (вж. фигурата) и напълнете резервоара за сол до ръба (около 1 kg); Не е необичайно да изтече малко вода.
4. Отстранете фунията и забършете остатъците от сол от отвора.

Уверете се, че капачката е завита здраво, така че по време на програмата за миене препаратът да не може да влезе в резервоара (това може да повреди непоправимо омекотителя за вода).

Когато е необходимо да добавите сол, е задължително да направите това преди започване на цикъла на измиване, за да се избегне корозия.

НАСТРОЙВАНЕ НА ТЪВРДОСТТА НА ВОДАТА

За да може омекотителят за вода да работи идеално, е особено важно настройката за твърдостта на водата да се базира на реалната твърдост на водата в дома ви. Можете да получите тази информация от местния си доставчик на вода. Нивото по подразбиране за твърдост на водата е фабрично зададено.

- Включете уреда, като натиснете бутона **ВКЛ./ИЗКЛ.**
- Изключете уреда, като натиснете бутона **ВКЛ./ИЗКЛ.**
- Натиснете и задръжте бутона **СТАРТ/ПАУЗА** за 5 секунди.
- Включете уреда, като натиснете бутона **ВКЛ./ИЗКЛ.**
- **Светодиодът ВКЛ./ИЗКЛ.** ще премигне толкова пъти, колкото е номерът на зададеното ниво на твърдост.
- Задайте желаното ниво на твърдост на водата чрез въртящия се **букон за ИЗБИРАНЕ НА ПРОГРАМА** (вижте **ТАБЛИЦА ЗА НИВОТО НА ТЪВРДОСТ НА ВОДАТА**).

Таблица на твърдостта на водата				
Ниво		°dH Германски градуси	°fH Френски градуси	°Clark Английски градуса
1	ECO Мека	0 - 6	0 - 10	0 - 7
2	Умерена	7 - 11	11 - 20	8 - 14
3	Средна	12 - 16	21 - 29	15 - 20
4	Твърда	17 - 34	30 - 60	21 - 42
5	Много твърда	35 - 50	61 - 90	43 - 62

- Изключете уреда, като натиснете бутона **ВКЛ./ИЗКЛ.** Настройката е завършена!

Веднага след завършването на процедурата пуснете програмата без съдове.

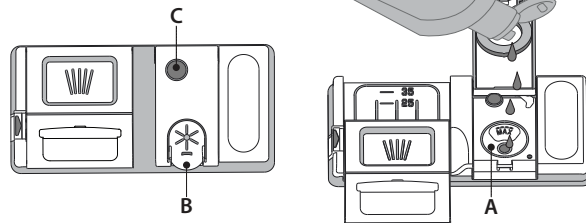
Използвайте само сол, която е предназначена специално за съдомиялни машини.

Ако контейнерът за сол не бъде напълнен, възможно е в резултат на натрупване на варовик да се повреди омекотителят за вода и нагревателният елемент.

Използването на сол е препоръчително с всякакъв тип миялен препарат.

ЗАРЕЖДАНЕ НА ДОЗАТОРА ЗА ПОМОЩНО СРЕДСТВО ЗА ИЗПЛАКВАНЕ

Използването на препарат за изплакване улеснява СУШЕНЕТО. Резервоарът за препарат за изплакване **A** трябва да се напълни, когато черният индикатор на вратичката на резервоара **C** стане прозрачен.



1. Отворете дозатора **B**, като натиснете и дръпнете нагоре издатината на капачката.
2. Внимателно добавете помощното средство за изплакване до максималната (110 ml) референтна маркировка на мястото за пълнене - избягвайте да разливате. Ако това се случи, почистете разливането незабавно със суха кърпа
3. Натиснете капачка надолу, докато чуete щракване, за да го затворите. **НИКОГА не наливайте помощното средство за изплакване направо във ваничката.**

РЕГУЛИРАНЕ НА ДОЗИРАНЕТО НА ПОМОЩНОТО СРЕДСТВО ЗА ИЗПЛАКВАНЕ

Ако не сте напълно доволни от резултатите от сушенето, можете да регулирате използваното количество помощно средство за изплакване.

- Включете съдомиялната машина с бутона **ВКЛ./ИЗКЛ.**
- Изключете я с бутона **ВКЛ./ИЗКЛ.**
- Натиснете бутона **СТАРТ/ПАУЗА** три пъти.
- Включете я с бутона **ВКЛ./ИЗКЛ.**
- **Светодиодът СТАРТ/ПАУЗА** ще премигне толкова пъти, колкото е номерът на зададеното ниво.
- Задайте нивото на подаваното от дозатора количество изплаквач препарат чрез въртящия се **букон за ИЗБИРАНЕ НА ПРОГРАМА** (вижте **ТАБЛИЦА С ПРОГРАМИ**).
- Изключете я с бутона **ВКЛ./ИЗКЛ.**

Настройката е завършена!

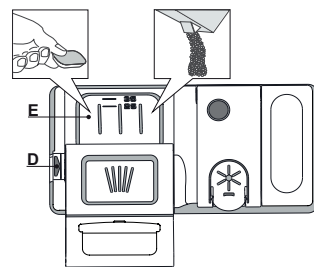
Ако нивото на помощното средство за изплакване е зададено на 1 (ЕКО), няма да се подава помощно средство за изплакване.

Според модела на съдомиялната машина могат да се задават максимум 5 нива. Фабричната настройка е специфична за всеки модел; следвайте инструкциите по-горе, за да проверите отнася ли се настройката за Вашата машина.

- Ако видите синкави петна по съдовете, задайте нисък номер (2-3).
- Ако по съдовете има капки вода или следи от котлен камък, задайте висок номер (4-5).

ЗАРЕЖДАНЕ НА ДОЗАТОРА ЗА МИЯЛЕН ПРЕПАРАТ

За да отворите дозатора за препарат, използвайте приспособление **D. Налейте препарата само в сухия дозатор **E**. Поставете количеството препарат за предварително измиване направо във ваничката.**



1. При измерване на препаратите правете справка със споменатата информация по-горе, за да добавите подходящо количество. в дозатора **E** има индикатори, за да помогнат за дозирането на миялния препарат.
2. Отстранете остатъците от препарат от ръбовете на дозатора и затворете капачката, докато щракне.
3. Затворете капачка на дозатора за препарат, като го дръпнете нагоре, докато приспособлението за затваряне се закрепва на място.

Дозаторът за препарат се отваря автоматично в правилния момент според програмата.

Използването на миялен препарат, който не е предназначен за съдомиялни машини, може да причини неизправност или повреда на уреда.

ТАБЛИЦА НА ПРОГРАМИТЕ

Програма	Фаза на сушене	Времетраене на програмата за миене (ч:мин)*	Потребление на вода (литра/програма)	Потребление на енергия (kWh/програма)
1 Еко	ECO 50° ✓	4:00	11,5	0,78
2 Интензивна	 65° ✓	2:30	15,0	1,50
3 Смесени	 55° ✓	2:25	15,0	1,35
4 Бърза 40'	 40' 45° -	0:40	8,0	0,90
5 Половин зареждане	 1/2 50° ✓	1:15	11,0	0,90
6 Накисване	 - -	0:10	4,0	0,01

Данните за програмата ЕКО са измерени в лабораторни условия съгласно Европейски стандарт EN 60436:2020.

Бележки за тестовите лаборатории: за информацията относно сравнимите с EN тестови условия изпратете имейл на следния адрес: dw_test_support@whirlpool.com

Не е необходимо предварително третиране на съдовете преди пускане на която и да било програма.

*) Стойностите, дадени за програмите, с изключение на програмата Еко, са само ориентировъчни. Реалното време може да се различава в зависимост от множество фактори, като температурата и налягането на подаваната вода, температурата в помещението, количеството препарат, количеството и вида на зареждането, балансирането на зареждането, допълнителните избрани опции и калибрирането на сензора. Калибрирането на сензора може да увеличи продължителността на програмата с до 20 мин.

ОПИСАНИЕ НА ПРОГРАМИТЕ

Указания за избор на програма за миене.

1 ЕКО

Програмата Еко е подходяща за почистване на нормално замърсена домакинска посуда, като използвана по този начин, програмата е най-ефективна по отношение на комбинираното потребление на енергия и вода и отговаря на законодателството на ЕС по отношение на екологичния дизайн.

2 ИНТЕНЗИВНА

Програма, препоръчвана за силно замърсени съдове, особено подходяща за тигани и тенджери (да не се използва за фини изделия).

3 СМЕСЕНИ

Смесени замърсявания. За нормално замърсени съдове със засъхнали остатъци от храна.

4 БЪРЗА 40'

Програма, която да се използва при наполовина пълна съдомиялна или леко замърсени съдове без засъхнали остатъци от храна. Няма фаза на сушене.

5 ПОЛОВИН ЗАРЕЖДАНЕ

Идеална за измиване при половин зареждане на леко или нормално замърсени съдове.

6 НАКИСВАНЕ

Използва се за освежаване на съдовете, които ще бъдат измити по-късно. За тази програма не се използва препарат.

Забележки:

Имайте предвид, че програмата *Бърза 40'* е предназначена за леко замърсени съдове.

ОПЦИИ И ФУНКЦИИ

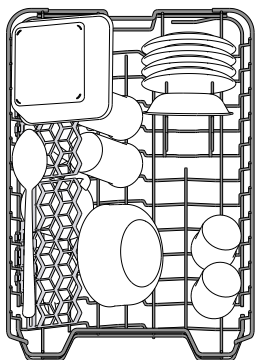
ИЗТОЧВАНЕ

За да спрете и отмените активната програма, можете да използвате функцията Източване.

С дълго натискане на бутона СТАРТ/ПАУЗА се активира функцията ИЗТОЧВАНЕ. Активната програма се спира и водата в съдомиялната машина се източва.

ЗАРЕЖДАНЕ НА КОШНИЦЕТЕ

ГОРНА КОШНИЦА



Заредете деликатните и леки съдове: стъклени и порцеланови чаши, чинийки, ниски купи за салата.

(пример за зареждане на горната кошница)

РЕГУЛИРАНЕ НА ВИСОЧИНАТА НА ГОРНАТА КОШНИЦА

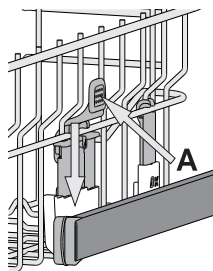
Височината на горната кошница може да се регулира: висока позиция за поставяне на обемни съдове в долната кошница и ниска позиция за пълноценно използване на наклонящите се опори, като се създава повече място нагоре и се избягва сблъскване с изделията в долната кошница.

Горната кошница е оборудвана с **Регулатор на височината на горната кошница** (вж. фигурата), без да натискате лостовете, повдигнете нагоре, като просто хванете кошницата от страни веднага след като кошницата стане стабилна в по-високата си позиция.

За да възстановите по-ниската позицията, натиснете лостовете **A** от страни на кошницата и преместете кошницата надолу.

Силно препоръчваме да не регулирате височината на кошницата, когато е заредена.

НИКОГА не повдигайте или спускате кошницата само от едната страна.



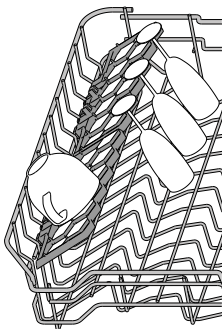
СГЪВАЕМИ КАПАЦИ С РЕГУЛИРУЕМА ПОЗИЦИЯ

Страничните капаци могат да се сгъват или разгъват, за да се оптимизира подреждането на съдовете в кошницата.

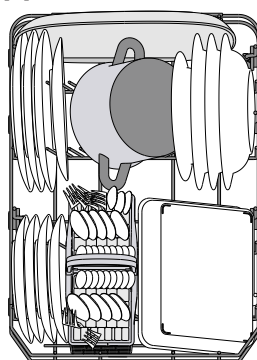
Чашите за вино могат да се поставят безопасно в сгъваемите капаци, като столчето на всяка чаша се вмъкне в съответния процеп.

В зависимост от модела:

- за да разгънете капациите, е необходимо да ги плъзнете нагоре и да ги завъртите или да ги освободите от закопчалките им и да ги издърпате надолу.
- за да сгънете капациите, е необходимо да ги завъртите и да плъзнете капациите надолу или да ги дръпнете нагоре и да ги закачите за закопчалките.



ДОЛНА КОШНИЦА

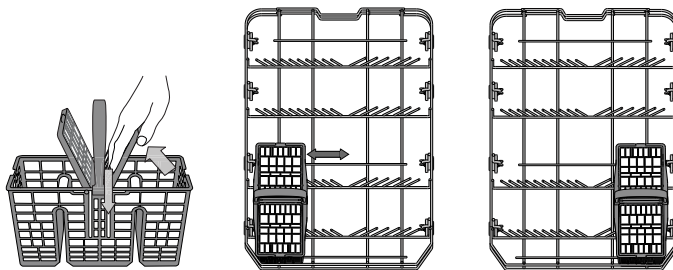


За тенджери, капаци, чинии, купи за салата и т.н. Едрите чинии и капаци следва в идеалния случай да се поставят от страни, за да не възпрепятстват разпръскващото рамо.

(пример за зареждане на долната кошница)

КОШНИЧКА ЗА ПРИБОРИ

Оборудвана е с горни решетки за по-добро подреждане на приборите. Тя трябва да се позиционира само от предната страна на долната кошница.



Ножовете и другите прибори с остри ръбове трябва да се поставят в кошничката за прибори с остриетата надолу или да се позиционират хоризонтално в наклонящите се отделения на горната кошница.

ВСЕКИДНЕВНА УПОТРЕБА

1. ПРОВЕРКА НА ВОДНАТА ВРЪЗКА

Уверете се, че съдомиялната машина е свързана към водоподаването и кранчето е отворено.

2. ВКЛЮЧЕТЕ СЪДОМИЯЛНАТА МАШИНА

Натиснете бутона **ВКЛ./ИЗКЛ.**

3. ЗАРЕДЕТЕ КОШНИЦИТЕ

(вж. ЗАРЕЖДАНЕ НА КОШНИЦИТЕ)

4. ЗАРЕЖДАНЕ НА ДОЗАТОРА ЗА МИЯЛЕН ПРЕПАРАТ

5. ИЗБЕРЕТЕ ПРОГРАМАТА И ПЕРСОНАЛИЗИРАЙТЕ ПРОГРАМАТА

Изберете най-подходящата програма според типа на съдовете и нивото им на замърсяване (вижте ОПИСАНИЕ НА ПРОГРАМИТЕ), като завъртите **бутона за ИЗБИРАНЕ НА ПРОГРАМА** по часовниковата стрелка. Изберете желаните опции (вж. ОПЦИИ И ФУНКЦИИ).

6. СТАРТ

Стартирайте програмата, като натиснете бутона **СТАРТ/ПАУЗА**.

7. КРАЯТ НА ПРОГРАМАТА

Краят на цикъла на измиване се обозначава с със светването на **светодиода ВКЛ./ИЗКЛ.** Изключете уреда, като натиснете бутона **ВКЛ./ИЗКЛ.** и отворете вратичката. Изчакайте няколко минути, преди да премахнете съдовете, за да избегнете изгаряния. Извадете съдовете, като започнете от долната кошница.

Машината се изключва автоматично при определени продължителни периоди на неактивност, за да сведе до минимум потреблението на енергия. Ако съдовете са само леко замърсени или ако са изплакнати с вода преди да се поставят в съдомиялната машина, намалете съответното количество използван препарат.

МОДИФИЦИРАНЕ НА РАБОТЕЩА ПРОГРАМА

Ако е избрана грешна програма, можете да я промените при условие че тя е започнала току-що: натиснете и задръжте бутона **ВКЛ./ИЗКЛ.**, машината се изключва.

Включете машината отново с бутона **ВКЛ./ИЗКЛ.** и изберете новата програма за миене и желаните опции; стартирайте програмата, като натиснете бутона **СТАРТ/ПАУЗА**.

ДОБАВЯНЕ НА СЪДОВЕ

Без да изключвате машината, отворете вратичката (**внимавайте с ГОРЕЩАТА пара!**), и поставете съдовете във вътрешността на съдомиялната машина. Затворете вратичката и Натиснете бутона **СТАРТ/ПАУЗА**, програмата се възобновява от момента, в който е била прекъсната.

СЛУЧАЙНИ ПРЕКЪСВАНИЯ

Ако вратичката бъде отворена по време на програма за миене или при прекъсване на захранването програмата спира. След затваряне на вратичката или възстановяване на захранването, натиснете бутона **СТАРТ/ПАУЗА**, за да възобновите програмата от момента, в който е била прекъсната.

ПОЛЕЗНИ СЪВЕТИ

СЪВЕТИ

Преди да зареждате кошниците, отстранете всички остатъци от храна от съдовете и изпразнете чашите. **Не е нужно да изплаквате предварително с течаща вода.**

Подредете съдовете така, че да се задържат добре на място и да не се обърнат; и подредете съдовете с отворите надолу и разположете вдлъбнатите/изпъкналите части така, че водата да може да достигне всяка повърхност и да тече свободно.

Предупреждение: капациите, дръжките, подносите и тиганите за пържене трябва да не пречат на въртенето на разпръскващите рамене.

Поставете дребните артикули в кошницата за прибори. Много замърсените съдове и тенджери следва да се поставят в долната кошница, тъй като в този сектор водните струи са по-силни и позволяват по-добра ефективност при миене. След като заредите уреда, проверете дали разпръскващите рамене могат да се въртят свободно.

НЕПОДХОДЯЩИ СЪДОВЕ

- Дървени съдове и прибори.
- Деликатни чаши с декорации, артистични ръчно изработени съдове и антики. Декорациите им не са устойчиви.
- Части от синтетични материали, които не са устойчиви на високи температури.
- Медни и калаени съдове.
- Замърсени с пепел, восък, грес или мастило съдове.

Цветовете на стъклените декорации и частите от алуминий/сребро могат да се променят и да избледнеят в процеса на миене. Някои видове стъкло (напр. кристалните предмети) могат да станат непрозрачни след няколко измивания.

ПОВРЕДИ ПО ЧАШИТЕ И СЪДОВЕТЕ

- Използвайте само стъклени и порцеланови съдове, за които производителят гарантира, че са подходящи за съдомиялна машина.
- Използвайте деликатен почистващ препарат, подходящ за Вашите съдове
- Изваждайте чашите и приборите от съдомиялната машина веднага след края на програмата за миене.

СЪВЕТИ ЗА ПЕСТЕНЕ НА ЕНЕРГИЯ

- Когато домашната съдомиялна машина се използва съгласно инструкциите на производителя, **измиването на посуда в съдомиялна обикновено консумира ПО-МАЛКО ЕНЕРГИЯ И ВОДА в сравнение с миенето на ръка.**
- За да максимизирате ефективността на съдомиялната машина, **препоръчително е да стартирате цикъл на миене, след като машината е заредена докрай. Зареждането на домашната съдомиялна машина до капацитета**, посочен от производителя, ще спомогне да спестите енергия и вода. Информация относно правилното зареждане на посудата можете да намерите в глава ЗАРЕЖДАНЕ НА КОШНИЦИТЕ. При частично зареждане е препоръчително да използвате специално предназначения опции (Half load/ Zone Wash/ Multi-zone), като напълните само избраните кошници. Неправилното зареждане или препълване на съдомиялната машина може да увеличи потреблението на ресурси (като вода, енергия и време, както и да увеличи нивото на шум), което ще намали ефективността на измиване и сушене.
- Предварителното изплакване на посудата на ръка води до увеличено потребление на вода и енергия, затова не е препоръчително.

ХИГИЕНА

За да избегнете миризми и утайки, които могат да се натрупат в съдомиялната машина, **моля, пускайте програма при висока температура най-малко веднъж месечно.** Използвайте супена лъжица препарат и пуснете уреда без да зареждате съдове, за да го почистите.

ГРИЖИ И ПОДДРЪЖКА

ПОЧИСТВАНЕ НА ФИЛТЪРНИЯ ВЪЗЕЛ

Почиствайте филтърния възел редовно, така че филтрите да не се запушват и отпадъчната вода да се източва правилно.

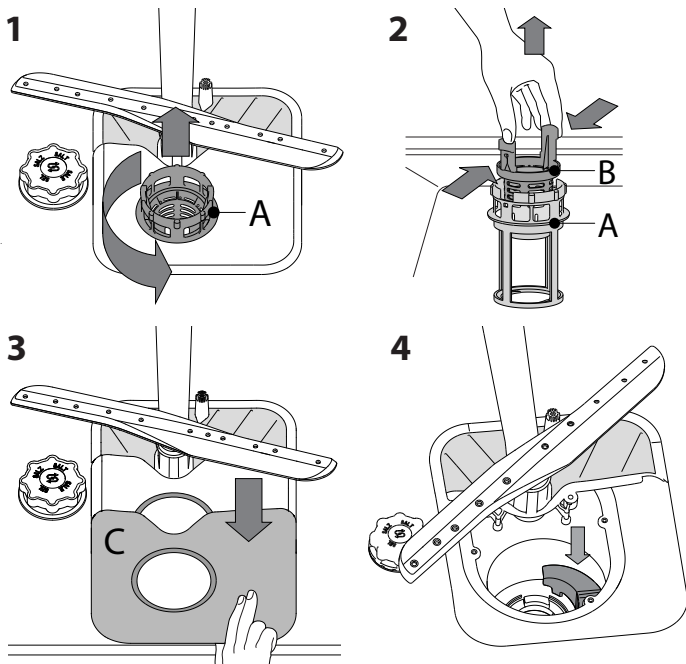
Използването на съдомиялната машина със запушени филтри или външни предмети във филтриращата система или пръскащите рамена, може да влоши работата на уреда и да доведе до намаляване на работните характеристики, шум по време на работа или повишено потребление на ресурси.

Филтърният възел се състои от три филтъра, които премахват остатъците от храна от водата от измиване и след това рециркулират водата.

Съдомиялната машина не трябва да се използва без филтри или ако филтърът е разхлабен.

Най-малко веднъж месечно или на всеки 30 цикъла проверявайте филтърния блок и при необходимост го почиствайте старателно с течаща вода, като използвате неметална четка и следвайте инструкциите по-долу:

1. Завъртете цилиндричния филтър **A** обратно на часовниковата стрелка и го издърпайте (Фиг. 1).
2. Свалете филтъра чашка **B**, като приложите лек натиск върху страничните капаци (Фиг. 2).
3. Плъзнете навън филтъра-пластина от неръждаема стомана **C** (Фиг. 3).
4. В случай че намерите външни предмети (като счупени стъкла, порцелан, кости, семена на плодове и др.), **внимателно ги отстранете**.
5. Проверете уловителя и премахнете остатъците от храна. **НИКОГА НЕ МАХАЙТЕ** предпазителя на помпата за цикъла на измиване (черния елемент) (Фиг. 4).



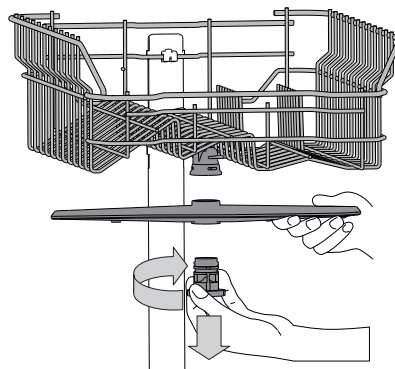
След почистване на филтрите поставете филтърния блок отново и го закрепете правилно на място; това е от ключово значение за поддържане на ефективната работа на съдомиялната машина.

ПОЧИСТВАНЕ НА МАРКУЧА ЗА ПОДАВАНЕ НА ВОДА

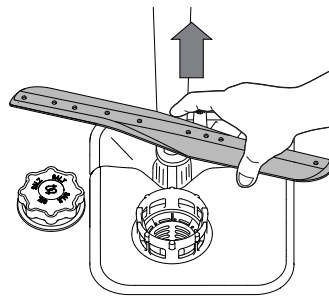
Ако маркучите за вода са нови или не са използвани продължително време, оставете водата да тече, за да се уверите, че е прозрачна и без замърсявания, преди да изпълнявате нужните връзки. Ако тази предпазна мярка не бъде взета, входът за вода може да се блокира и да повреди съдомиялната машина.

ПОЧИСТВАНЕ НА РАЗПРЪСКВАЩИТЕ РАМЕНЕ

Понякога остатъците от храна е възможно да засъхнат върху разпръскващите рамена и да запушат отворите за разпръскване на вода. Следователно се препоръчва да проверявате раменете от време на време и да ги почиствате с малка неметална четка.



За сваляне на горното рамо за пръскане, завъртете пластмасовия заключващ пръстен по посока на часовниковата стрелка. Горното разпръскващо рамо следва да се поставя така, че страната с по-голям брой отвори да е насочена нагоре.



Можете да свалите долното разпръскващо рамо, като го издърпате нагоре.

СИСТЕМА ЗА ОМЕКОТЯВАНЕ НА ВОДАТА

Омекотителят за вода намалява автоматично твърдостта на водата, като по този начин предотвратява натрупването на варовик по нагревателя и повишава ефективността при почистване.

Системата се регенерира сама със сол, затова е необходимо да допълвате контейнера със сол, когато се изпразни.

Честотата на регенериране зависи от настройката на нивото на твърдост на водата - регенерирането се извършва веднъж на всеки 5 цикъла ЕКО с ниво на твърдост на водата, зададено на 3. Процесът на регенериране започва във фазата на последното изплакване и завършва във фазата на сушене, преди цикълът да завърши.

- Едно регенериране използва: ~3,5 литра вода;
- Към цикъла се добавят 5 допълнителни минути;
- Консумират се по-малко от 0,005 kWh енергия.

ОТСТРАНЯВАНЕ НА НЕИЗПРАВНОСТИ

В случай че съдомиялната машина не работи нормално, проверете дали проблемът може да бъде решен, като прегледате следния списък. За други грешки или неизправности се свържете с отдела за следпродажбено обслужване, като данните за контакт можете да намерите в книжката за гаранцията. Резервните части ще бъдат налични за период от 7 или до 10 години, в съответствие със специфичните изисквания на регламента.

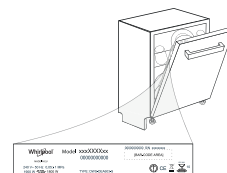
ПРОБЛЕМИ	ВЪЗМОЖНИ ПРИЧИНИ	РЕШЕНИЯ
Съдомиялната машина не стартира или не реагира на команди.	Уредът не е включен в контакта както трябва.	Включете щепсела в контакта.
	Спиране на захранването.	От съображения за безопасност съдомиялната машина може да не стартира автоматично след пускане на електрозахранването. Натиснете бутона СТАРТ/Пауза, за да възобновите цикъла.
	Вратичката на съдомиялната не е затворена. Щифтът <i>NaturalDry</i> не е издърпан.	Натиснете вратичката силно, докато чуete щракване.
	Цикълът е прекъснат от отваряне на вратичката за повече от 4 секунди.	Затворете вратичката в рамките на 4 секунди и натиснете СТАРТ/Пауза.
	Не реагира на команди.	Изключете уреда, като натиснете бутона ВКЛ./ИЗКЛ, включете го отново след около една минута и рестартирайте програмата. Ако проблемът не бъде отстранен, изключете уреда от щепсела за 1 минута и отново включете щепсела.
Съдомиялната машина не източва.	Програмата все още не е завършила.	Изчакайте програмата да завърши.
	Маркучът за източване е прегънат.	Проверете дали маркучът за източване не е прегънат (вж. ИНСТРУКЦИЯ ЗА МОНТАЖ).
	Тръбата за източване на мивката е запушена.	Почистете тръбата за източване на мивката.
	Филтърът е запушен с остатъци от храна	Почистете филтъра (вж. ПОЧИСТВАНЕ НА ФИЛТЪРНИЯ МЕХАНИЗЪМ).
Съдомиялната създава прекомерно много шум.	Съдовете тракат един в друг.	Подредете съдовете правилно (вж. ЗАРЕЖДАНЕ НА КОШНИЦИТЕ).
	Създадо се е прекалено голямо количество пяна.	Препаратът не е измерен правилно или не е подходящ за използване в съдомиялни машини (вж. ДОПЪЛВАНЕ НА ДОЗАТОРА ЗА ПОЧИСТВАЩ ПРЕПАРАТ). Рестартирайте миялната машина, като натиснете бутона ИЗТОЧВАНЕ (вж. ОПЦИИ И ФУНКЦИИ) и стартирайте нова програма без почистващ препарат.
Съдовете не са почистени.	Съдовете не са подредени както трябва.	Подредете съдовете правилно (вж. ЗАРЕЖДАНЕ НА КОШНИЦИТЕ).
	Разпръскващите рамене не могат да се въртят свободно, тъй като са възпрепятствани от съдовете.	Подредете съдовете правилно (вж. ЗАРЕЖДАНЕ НА КОШНИЦИТЕ).
	Цикълът на измиване е твърде лек.	Изберете подходящ цикъл на измиване (вж. ТАБЛИЦА С ПРОГРАМИ).
	Създадо се е прекалено голямо количество пяна.	Препаратът не е измерен правилно или не е подходящ за използване в съдомиялни машини (вж. ДОПЪЛВАНЕ НА ДОЗАТОРА ЗА ПОЧИСТВАЩ ПРЕПАРАТ).
	Капачката на отделението за помощно средство за изплакване не е затворена правилно.	Уверете се, че капачката на дозатора за помощно средство за изплакване е затворена.
	Филтърът е замърсен или запушен.	Почистете филтърния механизъм (вж. ГРИЖА И ПОДДРЪЖКА).
	Няма сол.	Допълнете резервоара за сол (вж. ДОПЪЛВАНЕ НА РЕЗЕРВОАРА ЗА СОЛ).
Съдомиялната машина не зарежда вода. Всички светодиоди са мига бързо	Не се подава вода или кранът е затворен.	Уверете се, че се подава вода или кранът е отворен.
	Маркучът за подаване на вода е прегънат.	Уверете се, че маркучът за подаване на вода не е прегънат (вижте ИНСТАЛИРАНЕ), включете нова програма на съдомиялната и я рестартирайте.
	Мрежестият филтър в маркуча за подаване на вода е запушен; необходимо е да го почистите.	След изпълняване на проверката и почистването изключете и включете съдомиялната машина и рестартирайте нова програма.
Съдомиялната машина спира цикъла преждевременно.	Маркучът за източване е поставен твърде ниско или водата се източва в домашната канализационна система.	Проверете дали краят на маркуча за източване е поставен на правилната височина (вижте ИНСТАЛИРАНЕ). Проверете за източване в домашната канализационна система и ако е необходимо, монтирайте въздушен вентил.
	Въздух в системата за подаване на вода.	Проверете системата за подаване на вода за течове или други проблеми, водещи до навлизане на въздух.



Фирмени политики, стандартна документация, поръчка на резервни части и допълнителна информация за продукти можете да намерите на:

- Посетите нашия уебсайт docs.indesit.eu и parts-selfservice.whirlpool.com
- Използвайте QR кода
- Като алтернатива можете да се свържете с отдела за следпродажбено обслужване (вижте телефонния номер в гаранционната книжка). При контакт с отдела за следпродажбено обслужване на клиенти съобщавайте кодовете, посочени на заводската табелка на Вашия уред.

Информацията за модела може да бъде извлечена чрез сканиране на QR кода на етикета за енергийния клас. На етикета също така е даден идентификатор на модела, който може да се използва за достъп до портала на регистъра на адрес <https://eprel.ec.europa.eu>.

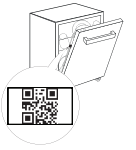


PŘÍRUČKA PRO KAŽDODENNÍ POUŽITÍ



DĚKUJEME VÁM, ŽE JSTE SI ZAKOUPILI VÝROBEK
ZNAČKY INDESIT. Pro získání komplexnější asistence
zaregistrujte prosím svůj spotřebič na:
www.indesit.com/register

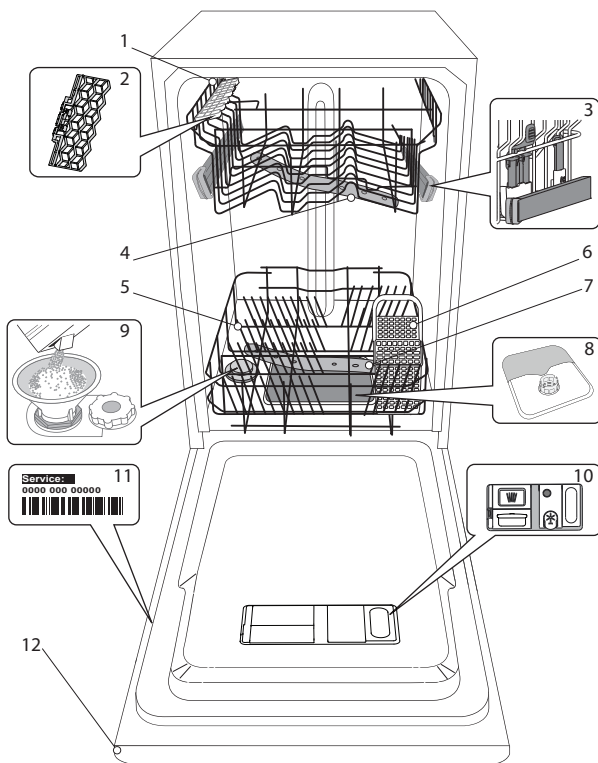
PRO ZÍSKÁNÍ PODROBNĚJŠÍCH
INFORMACÍ NASKENUJTE PROSÍM
QR KÓD NA VAŠEM SPOTŘEBIČI.



! Před použitím spotřebiče si pečlivě přečtěte Bezpečnostní pokyny.

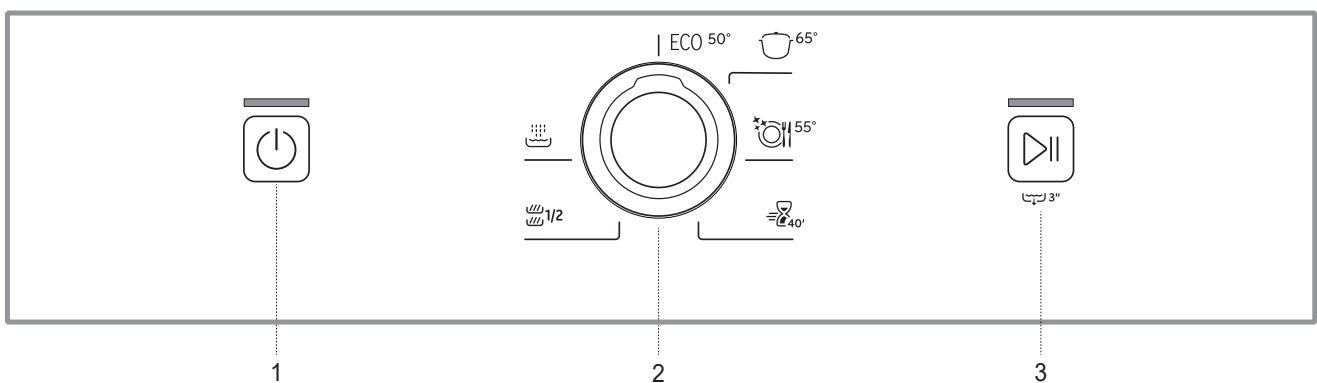
POPIS SPOTŘEBIČE

SPOTŘEBIČ



1. Horní koš
2. Sklopné klapky
3. Výškové nastavení horního koše
4. Horní ostřikovací rameno
5. Dolní koš
6. Košík na příbory
7. Dolní ostřikovací rameno
8. Sestava filtru
9. Zásobník na sůl
10. Dávkače mycího prostředku a leštidla
11. Typový štítek
12. Ovládací panel

OVLÁDACÍ PANEĽ



1. Tlačítko „Zapnout-Vypnout/Vynulovat“ s kontrolkou
2. Tlačítko volby programu s kontrolkou
3. Tlačítko „Spustit/Pozastavit“ (Start/Pause) s kontrolkou / „Vypouštění“

PRVNÍ POUŽITÍ SŮL, LEŠTIDLO A MYCÍ PŘÍPRAVEK

RADY PRO PRVNÍ POUŽITÍ

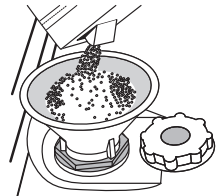
Po instalaci odstraňte zarážky z košů a pružné upevňovací prvky z horního koše.

NAPLNĚNÍ ZÁSObNÍKU SOLI

Použití soli vede k předcházení usazování VODNÍHO KAMENE na nádobí a funkčních součástech myčky.

- **ZÁSObNÍK NA SŮL NESMÍ NIKDY ZŮSTAT PRÁZDNÝ.**
- Nastavení tvrdosti vody je důležité.

Zásobník na sůl je umístěn ve spodní části myčky (viz **POPIS SPOTŘEBIČE**) a je nutné jej naplnit doplněn pokaždé, kdy přestane být vidět zelený plovák na uzávěru zásobníku soli.



1. Vytáhněte spodní koš a odšroubujte víčko zásobníku (proti směru hodinových ručiček).
2. **Následující kroky provádějte pouze při prvním použití: Naplňte zásobník soli vodou.**
3. Umístěte trychtýř (viz obrázek) a naplňte zásobník solí až po okraj (přibližně 1 kg); odtékání určitého množství vody je přitom normální.
4. Vyměňte trychtýř a otřete z otvoru přebytečnou sůl.

Ujistěte se, že je víčko pevně dotaženo, aby se do zásobníku nedostal při mytí žádný mycí prostředek (to by mohlo vést k neopravitelnému poškození změkčovače vody).

Pokud potřebujete doplnit sůl, je nutné tento proces dokončit před začátkem mycího cyklu aby se předešlo korozi.

NASTAVENÍ TVRDOSTI VODY

Abyste mohli změkčovač vody řádně fungovat, je nezbytné nastavit tvrdost vody podle skutečných hodnot platných pro vodu ve vašem domě. Informaci o tvrdosti vody v řadu získáte od místního dodavatele vody. Tovární nastavení určuje implicitní nastavení hodnoty pro tvrdost vody.

- Zapněte spotřebič stiskem tlačítka „ZAPNOUT/VYPNOUT“.
- Vypněte spotřebič stiskem tlačítka „ZAPNOUT/VYPNOUT“.
- Podržte tlačítko „SPUSTIT/POZASTAVIT“ stisknuté po dobu 5 sekund.
- Zapněte spotřebič stiskem tlačítka „ZAPNOUT/VYPNOUT“.
- **LED kontrolka „ZAPNOUT/VYPNOUT“** zabliká tolikrát podle toho, kterou úroveň jste nastavili.
- Nastavte požadovaný stupeň tvrdosti vody pomocí otočného ovladače pro **VÝBĚR PROGRAMŮ** (viz **TABULKA TVRDOSTI VODY**).

Tabulka tvrdosti vody				
Stupeň		°dH Německé stupně	°fH Francouzské stupně	°Clark Anglické stupně
1	ECO Měkká	0 - 6	0 - 10	0 - 7
2	Střední	7 - 11	11 - 20	8 - 14
3	Středně tvrdá	12 - 16	21 - 29	15 - 20
4	Tvrdá	17 - 34	30 - 60	21 - 42
5	Velmi tvrdá	35 - 50	61 - 90	43 - 62

- Vypněte spotřebič stiskem tlačítka „ZAPNOUT/VYPNOUT“.
- Nastavení je hotové!

Po dokončení tohoto úkonu spusťte mycí program naprázdno (bez nádobí).

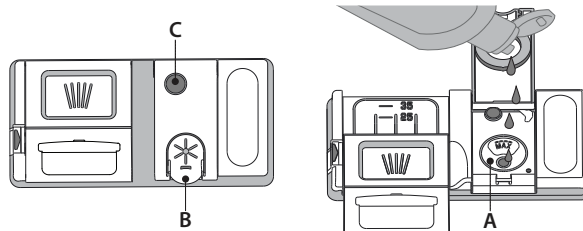
Používejte výhradně sůl určenou pro myčky nádobí.

Pokud není zásobník na sůl doplněn, může to vést k poškození změkčovače vody a topného tělesa v důsledku nahromadění vodního kamene.

Sůl doporučujeme používat s každým typem prostředku na mytí nádobí.

DOPLNĚNÍ DÁVKOVAČE LEŠTIDLA

Díky leštidlu nádobí lépe schne. Dávkovač leštidla **A** byste měli doplnit v případě, kdy tmavý optický indikátor na dvířkách zásobníku **C** zprůhlední.



1. Stlačením a zatažením páčky na víku zásobník **B** otevřete.
2. Opatrně nalijte leštidlo až po maximální hodnotu (110 ml) vyznačenou ryskou v hrdle zásobníku – zabraňte jeho přelití. Pokud dojde k rozlití, setřete tekutinu okamžitě suchým hadrem
3. Stiskněte víčko, dokud se s cvaknutím nezavře.

NIKDY nelijte leštidlo přímo do myčky.

NASTAVENÍ DÁVKOVÁNÍ LEŠTIDLA

Nejste-li plně spokojeni s výsledky sušení, můžete nastavit množství použitého leštidla.

- Zapněte spotřebič stiskem tlačítka „ZAPNOUT/VYPNOUT“.
- Vypněte jej stiskem tlačítka „ZAPNOUT/VYPNOUT“.
- Stiskněte tlačítko „SPUSTIT/POZASTAVIT“ třikrát.
- Zapněte spotřebič stiskem tlačítka „ZAPNOUT/VYPNOUT“.
- LED kontrolka „SPUSTIT/POZASTAVIT“ zabliká tolikrát podle toho, kterou úroveň jste nastavili.
- Pomocí ovladače pro **VÝBĚR PROGRAMŮ** nastavte množství leštidla, které bude uvolněno (viz **TABULKA PROGRAMŮ**).
- Vypněte jej stiskem tlačítka „ZAPNOUT/VYPNOUT“.

Nastavení je hotové!

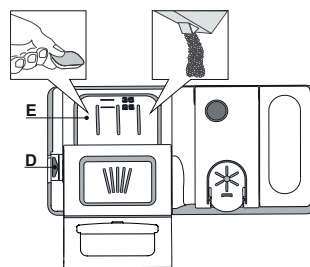
Je-li úroveň dávkování leštidla nastavena na 1 (ECO), nebude dávkováno žádné leštidlo.

V závislosti na konkrétním modelu myčky lze nastavit maximálně 5 úrovně. Tovární nastavení je specifické pro daný model. Řiďte se prosím výše uvedeným pokynem, abyste ověřili konkrétní nastavení vaší myčky.

- Pokud jsou na nádobí patrné modravé odlesky, nastavte nízké hodnoty (2-3).
- Jsou-li na nádobí stopy vodního kamene, nastavte vyšší číslo (4-5).

DOPLNĚNÍ DÁVKOVAČE MYCÍHO PROSTŘEDKU

K otevření zásobníku mycího prostředku použijte otevírací prvek D. Dávkujte mycí prostředek výhradně do suchého zásobníku E. Prostředek pro předmytí dávkujte přímo do prostoru myčky.




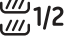



1. Při dávkování mycího prostředku se řiďte předchozími pokyny, abyste odměřili správné množství. Uvnitř zásobníku **E** se nacházejí značky, které pomohou při dávkování mycího prostředku.
2. Odstraňte zbytky mycího prostředku z okraje zásobníku a pak jej zavřete tak, aby bylo slyšet cvaknutí.
3. Tahem zavřete víčko zásobníku mycího prostředku, dokud zavírací prvek nezapadne na své místo.

Zásobník se automaticky otevře v pravou chvíli v závislosti na použitém programu.

Použití čistícího prostředku, který není určený pro myčky nádobí, může způsobit nesprávný chod nebo poškození spotřebiče.

TABULKA PROGRAMŮ

Program	Fáze sušení	Délka mycího programu (h:min) ^{*)}	Spotřeba vody (litry/cyklus)	Spotřeba energie (kWh/cyklus)
1 „Úsporný program“ ECO 50°	✓	4:00	11,5	0,78
2 Intenzivní  65°	✓	2:30	15,0	1,50
3 Smíšené  55°	✓	2:25	15,0	1,35
4 Rychlý 40'  45°	-	0:40	8,0	0,90
5 Poloviční náplň  50°	✓	1:15	11,0	0,90
6 Předmytí  -	-	0:10	4,0	0,01

Údaje pro „ÚSPORNÝ PROGRAM“ jsou měřeny v laboratorních podmínkách podle pokynů evropské normy EN 60436:2020.

Poznámka pro zkušební laboratoře: Pro informace o zkušebních podmínkách srovnávací zkoušky EN napište na adresu: dw_test_support@whirlpool.com

Žádný z programů nevyžaduje jakékoli předchozí ošetření nádobí.

*) Hodnoty uvedené pro ostatní programy kromě „ÚSPORNÝ PROGRAM“ jsou pouze přibližné. Skutečná doba se může lišit v závislosti na mnoha vlivech, jako je např. teplota, tlak vstupní vody, teplota okolí, množství mycího prostředku, množství a typ nádobí, vyvážení nádobí, zvolené doplňkové možnosti a kalibrace snímačů. Kalibrace snímačů může program prodloužit až o 20min.

POPIS PROGRAMŮ

Pokyny pro výběr mycího cyklu.

1 „ÚSPORNÝ PROGRAM“

Program ECO je vhodný k mytí běžně zašpiněného nádobí, který je pro tento účel nejvýhodnějším programem s ohledem na spotřebu energie a vody a který se využívá k vyhodnocení shody spotřebiče s předpisy Ecodesign EU.

2 INTENZIVNÍ

Program doporučený pro velmi špinavé nádobí, hlavně hrnce a pánve (nepoužívat lna jemné nádobí).

3 SMÍŠENÉ

Mix nádobí s různou náročností odstranění znečištění. Pro běžně zašpiněné nádobí se zaschlými nečistotami.

4 RYCHLÝ 40'

Program určený pro poloviční naplnění lehce zašpiněným nádobím bez zaschlých zbytků. Nezahrnuje fázi sušení.

5 POLOVIČNÍ NÁPLŇ

Ideální při polovičním naplnění lehce nebo běžně zašpiněným nádobím.

6 PŘEDMYTÍ

Používejte pro opláchnutí nádobí, které plánujete mýt později. V tomto programu se nepoužívá žádný mycí prostředek.

Poznámka:

Upozorňujeme, že cyklus *Rychlý 40'* je určený pro mírně zašpiněné nádobí.

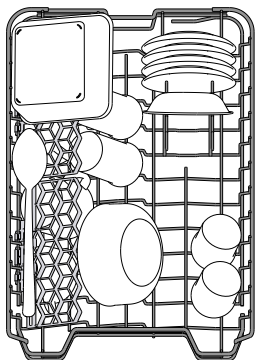
MOŽNOSTI A FUNKCE

VYPOUŠTĚNÍ

Zastavení a zrušení aktivního cyklu je možné pomocí funkce „Vypouštění“. Dlouhým stiskem tlačítka tlačítka „SPUSTIT/POZASTAVIT“ aktivujete funkci „VYPOUŠTĚNÍ“. Aktivní program se zastaví a voda z myčky se vypustí.

PLNĚNÍ KOŠŮ

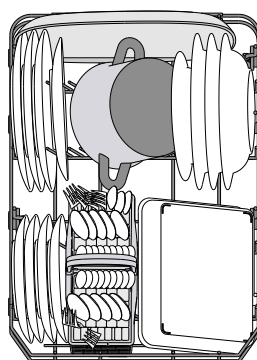
HORNÍ KOŠ



Sem vkládejte jemné a lehké nádobí: sklenice, hrnky, tácky a mělké salátové mísy.

(příklad naplnění horního koše)

DOLNÍ KOŠ



Je určen na hrnce, tácy, talíře, salátové mísy, příbory atp. Velké talíře a poklice by měly být umístěny po stranách, aby se předešlo jejich kontaktu s ostříkovacími rameny.

(příklad plnění dolního koše)

NASTAVENÍ VÝŠKY HORNÍHO KOŠE

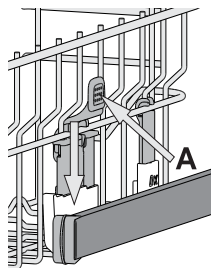
Výšku horního koše lze nastavit: Při umístění do vyšší polohy lze do spodního koše vkládat objemnější kusy, v nižší poloze pak lze nejlépe využít sklopných opěrek – v horní části se tak vytvoří větší prostor a předejde se kolizím s předměty uloženými ve spodním koši.

Horní koš je vybaven zařízením pro **nastavení výšky horního koše** (viz obr.), bez nutnosti používat páky. Stačí koš prostě zvednout za strany, dokud nezapadne do stabilní horní polohy.

Pro návrat koše zpět do dolní polohy stiskněte páky **A** po stranách koše a zatlačte koš dolů.

Důrazně doporučujeme neměnit polohu koše, je-li plný.

NIKDY nesnižujte ani nezvyšujte polohu koše pouze na jedné straně.

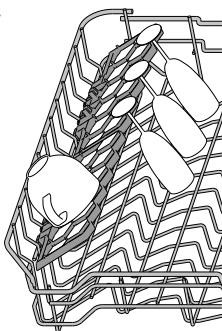


SKLOPNÉ OPĚRKY S NASTAVITELNOU POLOHOU

Postranní sklopné opěrky lze sklopit nebo vyklopit za účelem lepšího uspořádání nádobí v koši. Do sklopných opěrek je možno bezpečně umístit sklenice na víno, a to tak, že stopku každé z nich opřeme do příslušného vybrání.

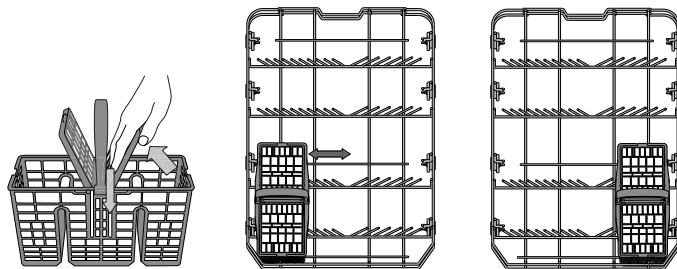
Podle modelu:

- vyklopení opěrek: je třeba je posunout nahoru a otočit jimi nebo je uvolnit z příchytek a zatáhnout směrem dolů;
- sklopení opěrek: je třeba jimi otočit a posunout je dolů, nebo je vytáhnout směrem nahoru a připnout do příchytek.



KOŠÍK NA PŘÍBORY

Je vybaven horními otvory umožňujícími lepší uspořádání příborů. Musí být umístěn v přední části dolního koše.



Nože a další ostré nástroje musí být umístěny svisle v koši na příbory ostřím směrem dolů nebo vodorovně na sklopných opěrkách horního koše.

DENNÍ POUŽÍVÁNÍ

1. ZKONTROLUJTE PŘIPOJENÍ K VODOVODNÍ SÍTI

Zkontrolujte, zda je myčka připojena k vodovodní síti a zda je otevřený přírodní ventil.

2. ZAPNĚTE MYČKU

Stiskněte tlačítko „ZAPNOUT/VYPNOUT“.

3. VLOŽTE NÁDOBÍ

(viz PLNĚNÍ KOŠŮ)

4. PLNĚNÍ DÁVKOVAČE MYČÍHO PROSTŘEDKU

5. VYBERTE PROGRAM A PŘÍZPŮSOBTE CYKLUS

Vyberte nejvhodnější program vzhledem k druhu nádobí a míře jeho zašpinění (viz POPIS PROGRAMŮ), a to **otočením ovladače VÝBĚRU PROGRAMŮ** ve směru chodu hodinových ručiček. Vyberte požadované možnosti (viz *MOŽNOSTI A FUNKCE*).

6. START

Spustíte mycí cyklus stisknutím tlačítka tlačítko „SPUSTIT/POZASTAVIT“.

7. KONEC MYČÍHO CYKLU

Ukončení mycího cyklu je indikováno a rozsvícením **LED kontrolky „ZAPNOUT/VYPNOUT“**. Vypněte spotřebič stiskem tlačítka „ZAPNOUT/VYPNOUT“ a otevřete dvířka.

Před vyklizením nádobí chvíli počkejte, předejdete tak popálení. Vyklidte nádobí z košů – začněte spodním

Spotřebič se při delší nečinnosti vypne, aby tak šetřil elektrickou energií. Je-li nádobí znečištěno pouze lehce nebo bylo-li před umístěním do myčky opláchnuto, snižte přiměřeně dávkování mycího prostředku.

ZMĚNA BĚŽÍCÍHO PROGRAMU

Došlo-li k výběru nesprávného programu, je možné jej změnit, a to za předpokladu, že od jeho startu uplynula pouze krátká chvíle: podržte tlačítko „ZAPNOUT/VYPNOUT“ a spotřebič se vypne.

Stisknutím tlačítka „ZAPNOUT/VYPNOUT“ spotřebič opět zapnete a zvolte nový mycí program spolu s požadovanými možnostmi; spustíte mycí cyklus stisknutím tlačítka tlačítko „SPUSTIT/POZASTAVIT“.

DODATEČNÉ PŘIDÁVÁNÍ NÁDOBÍ

Aniž byste spotřebič vypínali, otevřete dvířka (**pozor na HORKOU páru!**) a vložte nádobí do myčky. Zavřete dvířka a stiskněte tlačítko „SPUSTIT/POZASTAVIT“. Mycí cyklus bude pokračovat od místa svého přerušení.

NÁHODNÉ PŘERUŠENÍ

Dojde-li k otevření dvířek v průběhu mycího cyklu nebo k výpadku elektrického napájení, cyklus se zastaví. Po zavření dvířek nebo obnovení dodávky elektřiny lze cyklus opět spustit od místa přerušení stisknutím tlačítka tlačítko „SPUSTIT/POZASTAVIT“.

DOPORUČENÍ A TYPY

RADY

Před plněním košů odstraňte z nádobí všechny zbytky jídel a vyprázdněte sklenice. **Nádobí není třeba oplachovat pod tekoucí vodou.**

Uspořádejte nádobí vmyčce tak, aby pevně leželo na místě a nepřepadávalo; nádoby vkládejte dnem vzhůru a vyduťtými vypuklými povrchy šikmo, aby voda měla přístup ke všem povrchům a zároveň mohla volně odtékat.

Varování: Víka, madla, podnosy a pánve nesmí bránit ostříkovacím ramenům myčky v pohybu.

Drobné předměty vkládejte do koše na příbory. Velmi znečištěné nádobí a hrnce umísťte do spodního koše, protože v této části myčky je proud vody silnější, a lze tak dosáhnout lepší výkonnosti.

Po naplnění myčky ověřte, že se ostříkovací ramena mohou volně otáčet.

NEVHODNÉ NÁDOBÍ

- Dřevěné nádobí a příbory.
- Jemné zdobené sklenice, umělecké, ručně vyrobené a starožitné nádobí. Jejich zdobení není dostatečně odolné.
- Části z plastu neodolávající vysokým teplotám.
- Měděné a cínové nádobí.
- Nádobí zašpiněné popelem, voskem, mazacím tukem či inkoustem.

Barva ozdob na skle a hliníkových/stříbrných kusů nádobí může během mytí vyblednout. Některé druhy skla (např. křišťálové předměty) mohou po několika mycích cyklech zmatnět.

POŠKOZENÍ SKLA A NÁDOBÍ

- Používejte výhradně sklenice a porcelán, u nichž výrobce zaručuje možnost mytí v myčce.
- Používejte jemný mycí přípravek vhodný na porcelánové nádobí
- Vyjměte sklo a příbory z myčky hned po skončení mycího cyklu.

TIPY K ÚSPORĚ ENERGIE

- Pokud se myčka nádobí do domácnosti používá v souladu s pokyny výrobce, **je spotřeba ENERGIE a vody při mytí nádobí v myčce NIŽŠÍ než při mytí v ruce.**
- Pro maximální úspornost myčky nádobí doporučujeme **mycí cyklus spustit až ve chvíli, kdy je myčka zcela zaplněná.** Naplnění myčky nádobí až do plné kapacity uvedené výrobcem přispívá k úspoře energie a vody. Informace o správném vkládání nádobí najdete v kapitole PLNĚNÍ KOŠŮ. V případě pouze částečného zaplnění doporučujeme použití příslušného mycího programu, je-li k dispozici (Half load / Zone Wash / Multi Zone) a plnění pouze příslušných košů. Nesprávné nebo nadměrné naplnění myčky může vést ke zvýšení spotřeby (vody, energie a času i zvýšení hlučnosti) a k snížení účinnosti mytí a sušení.
- Ruční předmyvání nádobí vede ke zvýšené spotřebě vody a energie a nedoporučujeme jej.

HYGIENA

Abyste předešlo vzniku usazenin a zápachu v myčce, **spustte nejméně jednou měsíčně program s vysokou teplotou.** Použijte čajovou lžičku mycího prostředku a vsypte ji do prázdné myčky.

ÚDRŽBA A ČIŠTĚNÍ

ČIŠTĚNÍ SESTAVY FILTRU

Pravidelně čistěte sestavu filtru, aby nebyla ucpaná a voda mohla řádně odtékat.

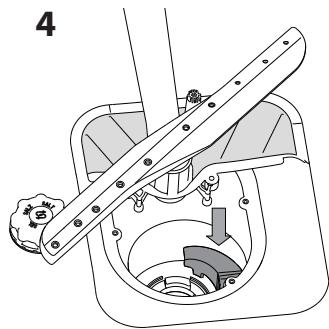
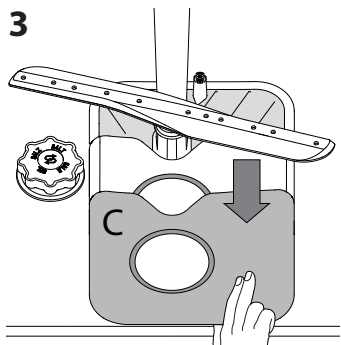
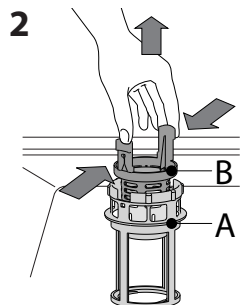
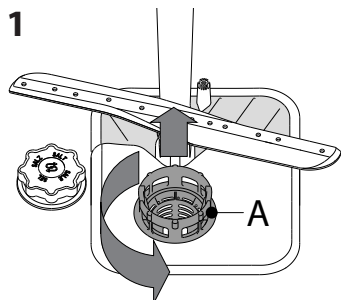
Používání myčky s ucpanými filtry nebo cizími předměty ve filtračním systému či rozstříkovačích může způsobit nesprávný chod spotřebiče, ztrátu účinnosti, hlučný chod nebo vyšší spotřebu.

Sestava filtru se skládá ze tří filtrů, které pomáhají zmýcit vodu odstranit zbytky potravin a umožňují její následnou recirkulaci.

Myčka nesmí být používána bez filtrů nebo s nedotaženými filtry.

Nejméně jednou měsíčně nebo po každých 30 cyklech zkontrolujte sestavu filtru a v případě potřeby jej důkladně vymyjte pod tekoucí vodou za pomoci nekovového kartáče podle pokynů níže:

1. Otočte válcovým filtrem **A** proti směru chodu hodinových ručiček a vyjměte jej (obr. 1).
2. Mírným tlakem na postranní klapky vyjměte miskový filtr **B** (obr. 2).
3. Vysuňte nerezový deskový filtr **C** (obr. 3).
4. Pokud naleznete cizí předměty (např. úlomky skla, porcelánu, kostí, semínka z ovoce), **opatrně je odstraňte**.
5. Prohlédněte prostor pod filtrem a odstraňte případné zbytky jídla. **NIKDY NEODSTRAŇUJTE** ochranu čerpadla mycího cyklu (detail v černé barvě) (obr. 4).



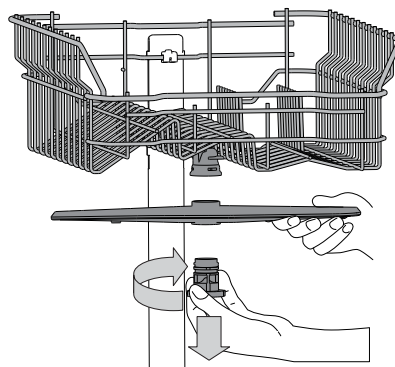
Po vyčištění filtry vraťte na jejich místo a zajistěte je; je to zásadní pro zachování funkčnosti myčky.

ČIŠTĚNÍ PŘÍVODNÍ HADICE

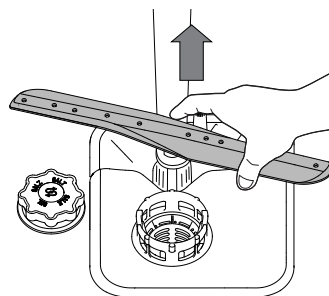
Je-li přívodní hadice nová nebo nebyla-li dlouho používána, propláchněte ji vodou a zkontrolujte, zda neobsahuje nečistoty. Teprve pak proveďte připojení. Nedodržíte-li tento postup, může dojít k ucpaní vstupu vody a poškození myčky.

ČIŠTĚNÍ OSTŘIKOVACÍCH RAMEN

Někdy se stane, že se do ostříkovačích ramen dostane zbytek jídla a ucpe některou z jeho trysek. Doporučujeme proto občasnou kontrolu ramen a jejich vyčištění malým nekovovým kartáčkem.



Horní ostříkovač rameno sejmete pootočením plastového upevňovacího kroužku ve směru pohybu hodinových ručiček. Horní rameno lze otočit tak, že jeho strana s větším množstvím otvorů směřuje vzhůru.



Spodní ostříkovač rameno lze vyjmout zatažením směrem nahoru.

SYSTÉM PRO ZMĚKČOVÁNÍ VODY

Změkčovač vody automaticky snižuje tvrdost vody, a zabraňuje tak nahromadění vodního kamene na ohřivači a přispívá k vyšší účinnosti mytí.

Tento systém k regeneraci využívá sůl, proto je nutné doplňovat zásobník na sůl, když se vyprázdní.

Četnost regenerace závisí na nastavení úrovně tvrdosti vody – s úrovní tvrdosti nastavené na **3** probíhá regenerace jednou za **5** Eco cyklů. Regenerační proces se spustí po závěrečném oplachu a dokončí se během sušení před skončením cyklu.

- Spotřeba během jedné regenerace: ~ 3,5 l vody;
- Prodloužení cyklu až o 5 minut;
- Spotřeba méně než 0,005 kWh energie.

ODSTRAŇOVÁNÍ ZÁVAD

Pokud vaše myčka nádobí nefunguje správně, pokuste se problém vyřešit za pomoci informací uvedených v tomto seznamu. V případě jiných problémů nebo dotazů se obraťte na autorizovaný poprodejní servis, jehož kontaktní údaje najdete v záručním listě. Náhradní díly budou k dispozici po dobu až 7 nebo až 10 let podle konkrétních požadavků nařízení.

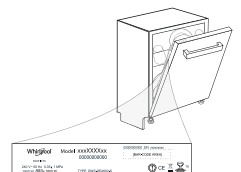
PROBLÉMY	MOŽNÉ PŘÍČINY	ŘEŠENÍ
Myčka se nespouští nebo nereaguje na povely.	Spotřebič není správně připojen do zásuvky.	Zasuňte zástrčku do zásuvky.
	Výpadek proudu.	Myčka nádobí se z bezpečnostních důvodů po obnovení napájení znovu automaticky nespustí. Pro pokračování v cyklu stiskněte tlačítko SPUSTIT/POZASTAVIT.
	Dveře myčky nejsou dobře zavřené.	Důkladně zavřete dveře, dokud neuslyšíte „cvaknutí“.
	Cyklus byl přerušen otevřením dveří na více než 4 sekundy.	Zavřete dvířka a stiskněte tlačítko SPUSTIT/POZASTAVIT.
	Myčka nereaguje na povely.	Vypněte spotřebič stisknutím tlačítka ZAPNOUT/VYPNOUT a po cca jedné minutě jej znovu zapněte a restartujte program. Pokud problém přetrvává, spotřebič na 1 minutu odpojte od napájení a poté jej znovu zapojte.
Myčka nevypouští vodu.	Ještě neskončil mycí cyklus.	Počkejte, dokud mycí cyklus neskončí.
	Vypouštěcí hadice je ohnutá.	Zkontrolujte, zda vypouštěcí hadice není ohnutá (viz <i>NÁVOD K INSTALACI</i>).
	Odpad dřezu je ucpaný.	Vyčistěte odtok dřezu.
	Filtr je ucpaný zbytky jídla.	Vyčistěte filtr (viz <i>ČIŠTĚNÍ SESTAVY FILTRU</i>).
Myčka je příliš hlučná.	Nádobí na sebe naráží.	Nádobí správně rozmístěte (viz <i>PLNĚNÍ KOŠŮ</i>).
	Vzniká nadměrné množství pěny.	Mycí prostředek nebyl správně nadávkován nebo není vhodný pro použití v myčkách nádobí (viz <i>PLNĚNÍ ZÁSOBNÍKU MYCÍHO PROSTŘEDKU</i>). Restartujte myčku pomocí tlačítka VYPOUŠTĚNÍ (viz <i>MOŽNOSTI A FUNKCE</i>) a spusťte nový program bez mycího prostředku.
Nádobí není umyté.	Nádobí nebylo v myčce správně uspořádáno.	Nádobí správně rozmístěte (viz <i>PLNĚNÍ KOŠŮ</i>).
	Ostříkovací ramena se nemohou volně otáčet – brání jim nádobí.	Nádobí správně rozmístěte (viz <i>PLNĚNÍ KOŠŮ</i>).
	Mycí cyklus je příliš jemný.	Vyberte vhodný mycí cyklus (viz <i>TABULKA PROGRAMŮ</i>).
	Vzniká nadměrné množství pěny.	Mycí prostředek nebyl správně nadávkován nebo není vhodný pro použití v myčkách nádobí (viz <i>PLNĚNÍ ZÁSOBNÍKU MYCÍHO PROSTŘEDKU</i>).
	Víčko zásobníku leštidla není dobře uzavřeno.	Přesvědčte se, že je víčko na zásobníku leštidla dobře zavřené.
	Filtr je znečištěný či ucpaný.	Vyčistěte sestavu filtrů (viz <i>PÉČE A ÚDRŽBA</i>).
	Došla sůl.	Doplňte zásobník na sůl (viz <i>DOPLŇOVÁNÍ ZÁSOBNÍKU NA SŮL</i>).
Myčka nenapouští vodu. Všechny LED diody rychle blikají	V potrubí není voda nebo je uzavřený přívodní ventil.	Zkontrolujte, zda je v potrubí voda a zda je otevřený přívodní ventil.
	Přívodní hadice je ohnutá.	Zajistěte, aby přívodní hadice nebyla ohnutá (viz <i>INSTALACE</i>), nastavte nový program a spusťte myčku znovu.
	Sítka v přívodní hadici je ucpané; je třeba jej vyčistit.	Po kontrole a vyčištění vypněte a opět zapněte myčku a spusťte nový program.
Myčka nádobí ukončila cyklus předčasně.	Vypouštěcí hadice je umístěna příliš nízko či dochází k vypouštění do domácího kanalizačního systému.	Zkontrolujte, je-li vypouštěcí hadice umístěna ve správné výšce (viz <i>INSTALACE</i>). Zkontrolujte, zda nedochází k vypouštění do domácího kanalizačního systému a v případě potřeby nainstalujte vzduchovou klapku.
	Vzduch v přívodní hadici.	Zkontrolujte, zda z přívodní hadice neuniká voda nebo jestli nevykazuje jiné narušení, které by mohlo způsobovat vnikání vzduchu.



Firemní zásady, standardní dokumentaci, objednávky náhradních dílů a další informace o výrobku získáte:

- Návštěvou našeho webu docs.indesit.eu a parts-selfservice.whirlpool.com
- Pomocí naskenování QR kódu,
- Případně **kontaktujte náš poprodejní servis** (telefonní číslo najdete v záručním listě). Při kontaktování našeho poprodejního servisu prosím uveďte kódy na identifikačním štítku produktu.

Informace o modelu získáte přes QR kód na energetickém štítku. Na štítku rovněž najdete identifikační číslo modelu, které můžete použít k vyhledávání v rejstříku na portálu <https://eprel.ec.europa.eu>.



GUÍA DE REFERENCIA DIARIA



GRACIAS POR COMPRAR UN PRODUCTO INDESIT.
Si desea recibir un servicio más completo, registre su aparato en: www.indesit.com/register

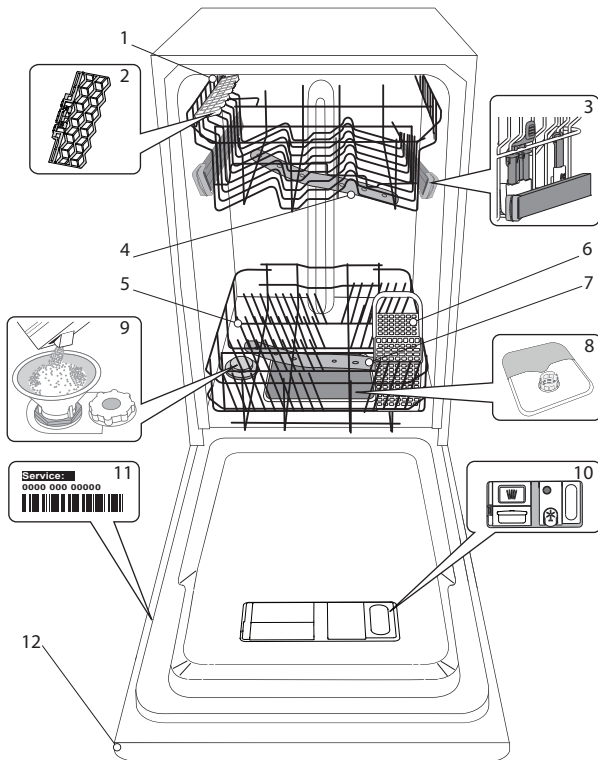
ESCANEE EL CÓDIGO QR DE SU APARATO PARA OBTENER INFORMACIÓN MÁS DETALLADA



⚠ Antes de usar el electrodoméstico, lea atentamente las Instrucciones de seguridad.

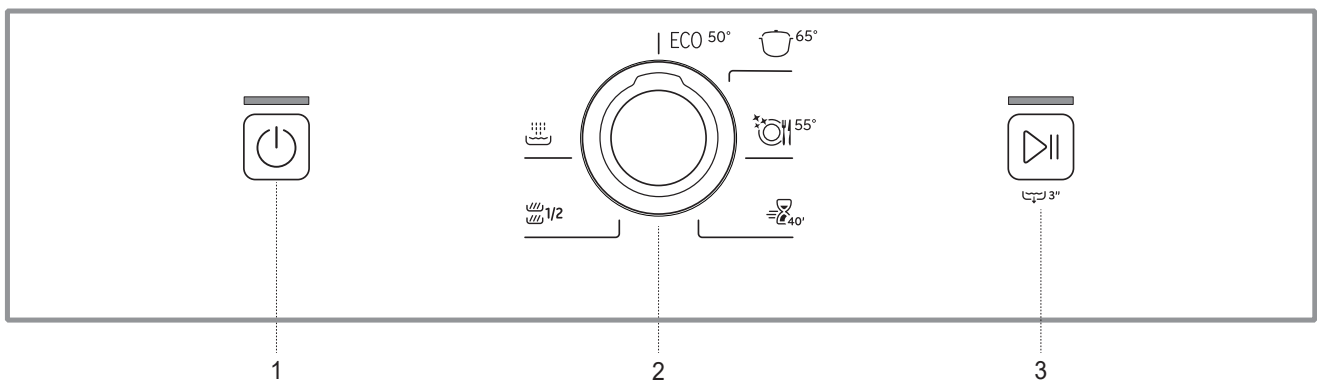
DESCRIPCIÓN DEL PRODUCTO

APARATO



1. Cesto superior
2. Sujeciones plegables
3. Ajustador de altura de la bandeja superior
4. Brazo aspersor superior
5. Cesto inferior
6. Cesto de cubiertos
7. Brazo aspersor inferior
8. Conjunto de filtrado
9. Depósito de sal
10. Dispensadores de detergente y abrillantador
11. Placa de características
12. Panel de control

PANEL DE CONTROL



1. Botón de Encender-Apagar / Restablecer con indicador luminoso
2. Selector de programas
3. Botón de Inicio/Pausa con indicador luminoso / Vaciado

PRIMER USO

SAL, ABRILLANTADOR Y DETERGENTE

CONSEJO RESPECTO AL PRIMER USO

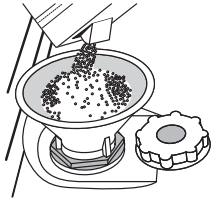
Después de la instalación, retire los topes de las bandejas y los elementos de retención elásticos de la bandeja superior.

LLENADO DEL DEPÓSITO DE SAL

El uso de sal evita la formación de INCRUSTACIONES DE CAL en la vajilla y en los componentes funcionales de la máquina.

- Es obligatorio que **EL DEPÓSITO DE SAL NO ESTÉ NUNCA VACÍO**.
- Es importante ajustar la dureza del agua.

El depósito de sal está situado en la parte inferior del lavavajillas (consulte DESCRIPCIÓN DEL PRODUCTO) y se debe rellenar cuando el flotador verde del tapón del depósito de sal deja de ser visible.



1. Retire la bandeja inferior y desenrosque el tapón del depósito (en sentido antihorario).
2. **Pasos a seguir solo la primera vez: llene el depósito de sal con agua.**
3. Coloque el embudo (véase la figura) y llene el depósito de sal hasta el borde (aproximadamente 1 kg); puede derramarse un poco de agua.
4. Retire el embudo y limpie cualquier residuo de sal del orificio.

Asegúrese de que el tapón esté bien cerrado, de modo que el detergente no pueda entrar en el depósito durante el programa de lavado (esto podría estropear irremisiblemente el ablandador del agua).

Siempre que necesite añadir sal, es obligatorio completar el procedimiento justo antes del inicio del ciclo de lavado para evitar la corrosión.

CONFIGURACIÓN DE LA DUREZA DEL AGUA

Para que el ablandador del agua funcione a la perfección, es esencial que la configuración de la dureza del agua se base en la dureza real del agua de su casa. Su suministrador de agua local le puede proporcionar esta información.

La fábrica ajusta el valor predeterminado de dureza del agua.

- Encienda el aparato pulsando el botón **Encendido/Apagado**.
- Apague el aparato pulsando el botón **Encendido/Apagado**.
- Mantenga pulsado el botón **INICIO/PAUSA** durante 5 segundos.
- Encienda el aparato pulsando el botón **Encendido/Apagado**.
- La luz del led de **Encendido/Apagado** parpadeará tantas veces como el nivel seleccionado.
- Seleccione el nivel de dureza del agua deseado mediante el **SELECTOR DE PROGRAMAS** (consulte la TABLA DE DUREZA DEL AGUA).

Nivel	°dH Niveles Alemanes	°fH Niveles Franceses	°Clark Niveles Ingleses
1 ECO Blanda	0 - 6	0 - 10	0 - 7
2 Media	7 - 11	11 - 20	8 - 14
3 Normal	12 - 16	21 - 29	15 - 20
4 Dura	17 - 34	30 - 60	21 - 42
5 Muy dura	35 - 50	61 - 90	43 - 62

- Apague el aparato pulsando el botón **Encendido/Apagado**.

¡Configuración finalizada!

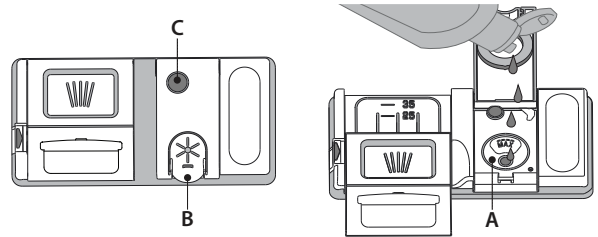
Cuando haya completado este procedimiento, ejecute un programa sin carga.

Utilice solamente sal fabricada específicamente para lavavajillas. Si el depósito de sal no se llena, el ablandador del agua y la resistencia pueden sufrir daños como resultado de la acumulación de incrustaciones de cal.

Se recomienda utilizar sal con cualquier tipo de detergente para lavavajillas.

LLENADO DEL DISPENSADOR DEL ABRILLANTADOR

El abrillantador facilita el SECADO de la vajilla. El dispensador de abrillantador **A** debe llenarse cuando el indicador visual oscuro de la puerta del dispensador **C** se vuelve transparente.



1. Abra el dispensador **B** pulsando y levantando la lengüeta de la tapa.
2. Introduzca el abrillantador con cuidado como máximo hasta la última marca (110 ml) de referencia del depósito, evitando que se derrame. Si se derrama, limpie el derrame inmediatamente con un paño seco.
3. Pulse la tapa hasta que oiga un clic, para cerrarla.

NUNCA eche el abrillantador directamente en la cuba.

AJUSTE DE LA DOSIS DE ABRILLANTADOR

Si los resultados del secado no le satisfacen totalmente, puede ajustar la cantidad de abrillantador utilizada

- Encienda el lavavajillas con el botón **Encendido/Apagado**.
- Apáguelo con el botón **Encendido/Apagado**.
- Pulse el botón **INICIO/PAUSA** tres veces.
- Enciéndalo con el botón **Encendido/Apagado**.
- La luz del led de **INICIO/PAUSA** parpadeará tantas veces como el nivel seleccionado.
- Seleccione el nivel de la cantidad de abrillantador que hay que suministrar con el **SELECTOR DE PROGRAMAS** (consulte la TABLA DE PROGRAMAS).
- Apáguelo con el botón **Encendido/Apagado**.

¡Configuración finalizada!

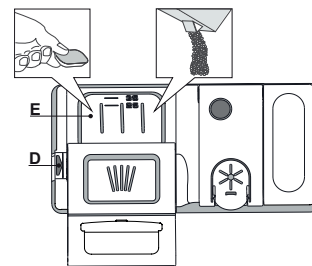
Si se selecciona el nivel de abrillantador 1 (ECO), no se suministrará abrillantador.

Se pueden configurar 5 niveles como máximo según el modelo de lavavajillas. Los ajustes de fábrica son específicos para el modelo, siga las instrucciones anteriores para comprobar esto en su máquina.

- Si ve manchas azuladas en la vajilla, seleccione un número bajo (2-3).
- Si hay gotas de agua o incrustaciones de cal en la vajilla, seleccione un número alto (4-5).

RELLENAR EL DISPENSADOR DE DETERGENTE

Para abrir el dispensador de detergente utilice el mecanismo de apertura D. Introduzca el detergente solo en el dispensador E seco. Eche la cantidad de detergente para el prelavado directamente dentro de la cuba.





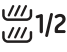



1. Cuando dosifique el detergente, consulte la información mencionada anteriormente para añadir la cantidad correcta. Dentro del dispensador **E** hay indicaciones para ayudarle a dosificar el detergente.
2. Retire los restos de detergente de los bordes del dispensador y cierre la tapa hasta oír un clic.
3. Cierre la tapa del dispensador de detergente levantándola hasta que el mecanismo de cierre quede bien fijado.

El dispensador de detergente se abre automáticamente en el momento adecuado según el programa.

El uso de detergente no diseñado para lavavajillas puede provocar fallos de funcionamiento o daños en el aparato.

TABLA DE PROGRAMAS

Programa	Fase de secado	Duración del programa de lavado (h:min) ^{*)}	Consumo de agua (litros/ciclo)	Consumo de energía (kWh/ciclo)
1 Eco  50°	✓	4:00	11,5	0,78
2 Intensivo  65°	✓	2:30	15,0	1,50
3 Mixta  55°	✓	2:25	15,0	1,35
4 Rápido 40'  45°	-	0:40	8,0	0,90
5 Media carga  50°	✓	1:15	11,0	0,90
6 Remojo  -	-	0:10	4,0	0,01

Los datos del programa ECO se miden bajo condiciones de laboratorio de conformidad con la Norma europea EN 60436:2020.

Nota para los laboratorios de pruebas: para obtener información detallada sobre las condiciones de la prueba comparativa EN, escribir a la siguiente dirección: dw_test_support@whirlpool.com

No es necesario ningún tratamiento previo de la vajilla antes de ninguno de los programas.

*) Los valores indicados para los programas distintos al programa Eco son indicativos. El tiempo real puede variar dependiendo de muchos factores como la temperatura y la presión del agua de entrada, la temperatura ambiente, la cantidad de detergente, la cantidad y el tipo de carga, la colocación de la carga, las opciones adicionales seleccionadas y la calibración del sensor. La calibración del sensor puede incrementar la duración del programa hasta 20 min.

DESCRIPCIÓN DE PROGRAMAS

Instrucciones sobre la selección del ciclo de lavado.

1 ECO

El programa Eco es adecuado para lavar utensilios con suciedad normal, para este uso es el programa más eficiente en términos de consumo combinado de energía y agua, y se utiliza para valorar el cumplimiento con la legislación de Ecodiseño de la UE.

2 INTENSIVO

Programa recomendado para vajilla muy sucia, en especial para ollas o sartenes (no se debe utilizar para artículos delicados).

3 MIXTA

Suciedad mixta. Para vajilla con suciedad normal con residuos de comida secos.

4 RÁPIDO 40'

Programa recomendado para media carga de vajilla poco sucia sin restos de comida secos. No tiene fase de secado.

5 MEDIA CARGA

Ideal para lavado a media carga de vajilla poco sucia o con suciedad normal.

6 REMOJO

Se utiliza para remojar la vajilla que planea lavar más tarde. Con este programa no se debe utilizar detergente.

Notas:

Tenga en cuenta que el ciclo Rápido 40' está destinado a vajilla poco sucia.

OPCIONES Y FUNCIONES

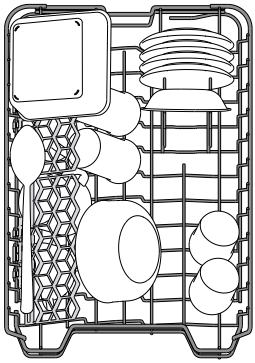
VACIADO

Para detener y cancelar el ciclo activo, se puede utilizar la función de Vaciado.

Una pulsación larga del botón de INICIO/PAUSA, activará la función de VACIADO. El programa activo se detendrá y el lavavajillas se vaciará.

LLENADO DEL LAVAVAJILLAS

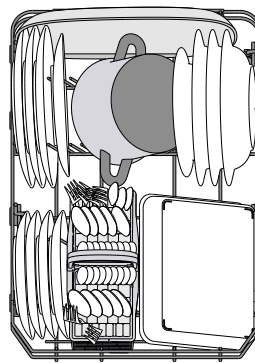
CESTO SUPERIOR



Cargue la vajilla delicada y ligera: vasos, tazas, platos, ensaladeras bajas.

(ejemplo de carga para la bandeja superior)

CESTO INFERIOR



Para ollas, tapas, platos, ensaladeras, cubertería, etc. Se recomienda colocar las bandejas y tapas grandes en los laterales para evitar interferencias con el brazo aspersor.

(ejemplo de carga para la bandeja inferior)

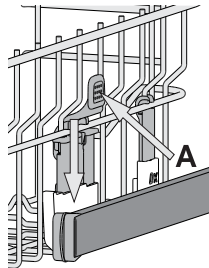
AJUSTE DE LA ALTURA DE LA BANDEJA SUPERIOR

La altura de la bandeja superior se puede ajustar: posición alta para colocar vajilla voluminosa en el cesto inferior y posición baja para aprovechar al máximo los soportes desplegados creando más espacio hacia arriba y evitando que colisionen con los artículos cargados en la bandeja inferior.

La bandeja superior está equipada con un **Ajustador de altura de la bandeja superior** (véase la figura), sin presionar las palancas, levántelo simplemente sujetando los laterales de la bandeja, en cuanto la bandeja esté estable en su posición superior.

Para volver a la posición más baja, pulse las palancas **A** de los laterales de la bandeja y mueva el cesto hacia abajo.

Le recomendamos encarecidamente que no ajuste la altura de la bandeja cuando esté cargada. NUNCA suba o baje el cesto solo por un lado.



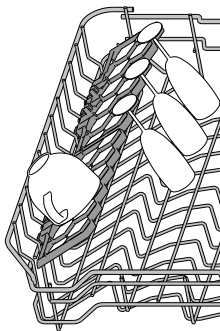
SUJECIONES PLEGABLES CON POSICIÓN AJUSTABLE

Las sujeciones plegables laterales se pueden plegar o desplegar para optimizar la disposición de la vajilla en el cesto.

Las copas de vino quedan bien aseguradas en las sujeciones plegables insertando el tallo de cada copa en las ranuras correspondientes.

Dependiendo del modelo:

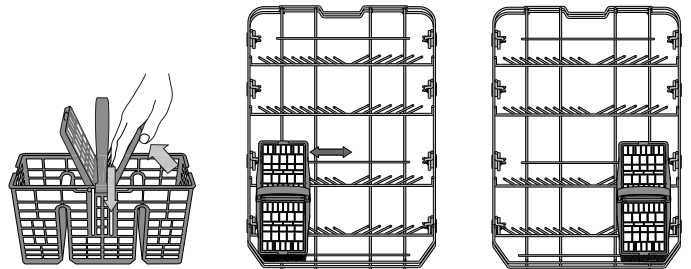
- para desplegar las sujeciones, deslícelas hacia arriba y gírelas o suéltelas de los cierres y tire de ellas hacia abajo.
- para plegar las sujeciones, gírelas y deslícelas hacia abajo o tire de ellas hacia arriba y fíjelas en los cierres.



CESTO DE CUBIERTOS

Está equipado con rejillas superiores para una mejor colocación de la cuchillería.

Solo se tiene que colocar en la parte delantera de la bandeja inferior.



Los cuchillos y otros utensilios con bordes afilados se tienen que colocar en el cesto de cubiertos con las puntas hacia abajo o se deben colocar horizontalmente en los compartimentos desplegados de la bandeja superior.

USO DIARIO

1. COMPROBACIÓN DE LA CONEXIÓN DE AGUA

Compruebe que el lavavajillas esté conectado al suministro de agua y que el grifo esté abiertow.

2. ENCENDIDO DEL LAVAVAJILLAS

Pulse el botón **ENCENDIDO/APAGADO**

3. CARGA DE LAS BANDEJAS

(consulte el **LLENADO DEL LAVAVAJILLAS**)

4. LLENADO DEL DISPENSADOR DE DETERGENTE

5. ESCOGER EL PROGRAMA Y PERSONALIZAR EL CICLO

Seleccione el programa más apropiado según el tipo de vajilla y el nivel de suciedad (consulte **DESCRIPCIÓN DE PROGRAMAS**) girando el **SELECTOR DE PROGRAMAS** hacia la derecha. Seleccione las opciones deseadas (consulte **OPCIONES Y FUNCIONES**).

6. INICIO

Inicie el ciclo de lavado pulsando el botón **INICIO/PAUSA**.

7. FINALIZACIÓN DEL CICLO DE LAVADO

El fin del ciclo de lavado se indica con el **led ENCENDIDO/APAGADO** iluminado. Apague el aparato pulsando el botón **ENCENDIDO/APAGADO** y abra la puerta.

Espere unos minutos antes de retirar la vajilla para evitar quemaduras. Descargue las bandejas, empezando por la inferior.

La máquina se apagará automáticamente durante ciertos periodos largos de inactividad para minimizar el consumo de electricidad.

Si la vajilla está solo ligeramente sucia o si se ha aclarado con agua antes de colocarla en el lavavajillas, le aconsejamos que reduzca la cantidad de detergente utilizada.

MODIFICACIÓN DE UN PROGRAMA EN CURSO

Si se ha equivocado al seleccionar el programa, se puede cambiar, siempre que acabe de empezar: mantenga pulsado el botón **ENCENDIDO/APAGADO**, la máquina se apagará.

Vuelva a encender la máquina con el botón **ENCENDIDO/APAGADO** y seleccione el nuevo ciclo de lavado y cualquier opción deseada; inicie el ciclo pulsando el botón **INICIO/PAUSA**.

AÑADIR MÁS VAJILLA

Abra la puerta sin apagar el aparato (**¡cuidado con el vapor CALIENTE!**) y ponga la vajilla dentro del lavavajillas. Cierre la puerta y pulse el botón de **INICIO/PAUSA** y el ciclo se reanudará desde donde se interrumpió.

INTERRUPCIONES ACCIDENTALES

Si se abre la puerta durante el ciclo de lavado, o si hay un corte de corriente, el ciclo se detiene. Cuando la puerta se haya cerrado o haya vuelto la corriente, para volver a iniciar el ciclo desde donde se interrumpió, pulse el botón **INICIO/PAUSA**.

SUGERENCIAS Y CONSEJOS

CONSEJOS

Antes de cargar los cestos, elimine todos los residuos de comida de la vajilla y vacíe los vasos. **No es necesario aclarar previamente con agua corriente.** Coloque la vajilla de tal modo que quede bien sujeta y no se vuelque; y coloque los recipientes con las bocas hacia abajo y las partes cóncavas/convexas en posición oblicua, permitiendo que el agua llegue a todas las superficies y fluya libremente.

Advertencia: tapas, mangos, bandejas y sartenes no deben impedir que los brazos aspersores giren.

Coloque cualquier objeto pequeño en el cesto de cubiertos. La vajilla y los utensilios muy sucios se deberían colocar en la bandeja inferior porque en este sector los aspersores de agua son más resistentes y permiten un rendimiento de lavado superior.

Una vez cargado el aparato, asegúrese de que los brazos aspersores puedan girar libremente.

VAJILLA INADECUADA

- Vajilla y cubiertos de madera.
- Cristalería con adornos delicados, artesanía y vajilla antigua. Los adornos no son resistentes.
- Partes de material sintético que no resistan altas temperaturas.
- Vajilla de cobre y latón.
- Vajilla sucia de ceniza, cera, grasa lubricante o tinta.

Los colores de los adornos del cristal y las piezas de aluminio/plata pueden cambiar y descolorarse durante el proceso de lavado. Algunos tipos de vidrios (p. ej. los objetos de cristal) también pueden volverse opacos después de varios ciclos de lavado.

DAÑOS A LA CRISTALERÍA Y A LA VAJILLA

- Utilice solo cristalería y porcelana garantizadas por el fabricante como aptas para lavavajillas.
- Utilice un detergente delicado adecuado para la vajilla
- Saque la cristalería y la cubertería del lavavajillas inmediatamente después de la finalización del ciclo de lavado.

CONSEJOS SOBRE AHORRO ENERGÉTICO

- Si el lavavajillas doméstico se utiliza siguiendo las instrucciones del fabricante, **lavar platos en el lavavajillas suele consumir MENOS ENERGÍA y agua que el lavado a mano.**
- Para maximizar la eficiencia del lavavajillas, **se recomienda iniciar el ciclo de lavado cuando el lavavajillas esté totalmente cargado.** Cargar el lavavajillas doméstico hasta la capacidad indicada por el fabricante contribuirá a ahorrar energía y agua. Puede encontrar información sobre la carga correcta de la vajilla en el capítulo **CARGA DE LAS CESTAS**. En caso de carga parcial, se recomienda utilizar las opciones de lavado específicas si están disponibles (Media carga/ Zone Wash/ Multizonas), llenando solo las cestas seleccionadas. La carga incorrecta o excesiva del lavavajillas puede aumentar el consumo de recursos (como el agua, la energía y el tiempo, así como el nivel de ruido), reduciendo el rendimiento de lavado y de secado.
- El preclarado manual de la vajilla conlleva un mayor consumo de agua y energía y no está recomendado.

HIGIENE

Para evitar malos olores y sedimentos que se pueden acumular en el lavavajillas, **ejecute un programa a alta temperatura al menos una vez al mes.** Utilice una cucharadita de detergente y ejecútelo sin carga para limpiar el aparato.

CUIDADOS Y MANTENIMIENTO

LIMPIEZA DEL CONJUNTO DE FILTRADO

Limpie regularmente el conjunto de filtrado para que los filtros no se obturen y para que el agua residual salga libremente.

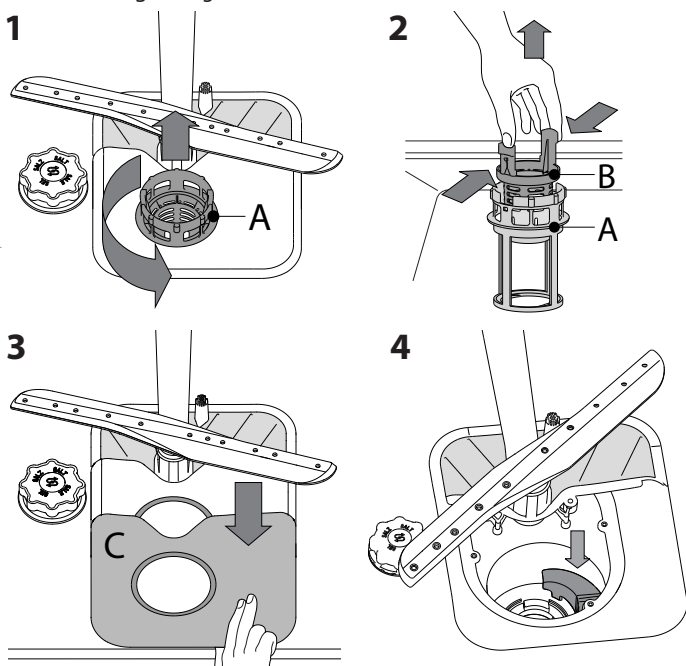
El uso del lavavajillas con los filtros obstruidos o con objetos extraños en el sistema de filtrado o en los aspersores puede provocar fallos de funcionamiento que pueden derivar en una pérdida del rendimiento, un aumento del ruido o un mayor consumo de recursos.

El conjunto de filtrado está formado por tres filtros que eliminan los restos de comida del agua de lavado y que hacen recircular el agua.

El lavavajillas no se debe usar sin filtros o si el filtro está suelto.

Al menos una vez al mes o cada 30 ciclos, revise el conjunto de filtrado y, si es necesario, límpielo a fondo con agua corriente, utilizando un cepillo no metálico y siguiendo estas instrucciones:

1. Gire el filtro cilíndrico **A** hacia la izquierda y extráigalo (Fig 1).
2. Extraiga el filtro en forma de saco **B** ejerciendo una ligera presión en las sujeciones laterales (Fig 2).
3. Extraiga el filtro de placa de acero inoxidable **C** (Fig 3).
4. Si encuentra objetos extraños (como cristales rotos, porcelana, huesos, semillas, etc.) **retírelos con cuidado**.
5. Inspeccione la trampilla y retire cualquier resto de comida. **NO RETIRE NUNCA** la protección de la bomba del ciclo de lavado (detalle negro) (Fig 4).



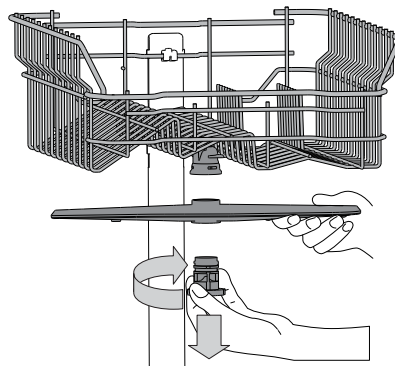
Una vez limpiados los filtros, recoloca el conjunto de filtrado y encájelo correctamente en su sitio; esto es esencial para garantizar el funcionamiento eficiente del lavavajillas.

LIMPIEZA DE LA MANGUERA DE ENTRADA DE AGUA

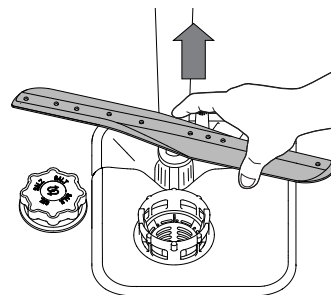
Si las mangueras del agua son nuevas o no se han utilizado durante un largo periodo de tiempo, deje correr el agua para asegurarse de que estén limpias y libres de impurezas antes de realizar las conexiones necesarias. Si no se toma esta precaución, la entrada de agua se podría bloquear y dañar el lavavajillas.

LIMPIEZA DE LOS BRAZOS ASPERSORES

A veces, los residuos de comida se pueden incrustar en los brazos aspersores y bloquear los orificios por donde sale el agua. Por lo tanto, se recomienda revisar los brazos de vez en cuando y limpiarlos con un pequeño cepillo no metálico.



Para extraer el brazo aspersor superior, gire el anillo de cierre de plástico hacia la derecha. El brazo rociador superior se tiene que recolocar de tal modo que el lado con más agujeros mire hacia arriba.



El brazo aspersor inferior se puede desmontar ejerciendo presión hacia arriba.

SISTEMA DE ABLANDAMIENTO DE AGUA

El ablandador del agua reduce automáticamente la dureza del agua, evitando así la acumulación de incrustaciones en el calentador y permitiendo también una mayor eficiencia del lavado.

Este sistema se regenera con sal, por lo que es necesario rellenar el depósito de sal cuando está vacío.

La frecuencia de la regeneración depende del ajuste del nivel de dureza del agua. La regeneración se produce una vez cada 5 ciclos Eco con la dureza del agua ajustada en el nivel 3.

El proceso de regeneración comienza en el aclarado final y termina en la fase de secado, antes de que termine el ciclo.

- Una regeneración consume: ~3,5 l de agua;
- Añade hasta 5 minutos adicionales al ciclo;
- Consume menos de 0,005 kWh de energía.

RESOLUCIÓN DE PROBLEMAS

Si su lavavajillas no funciona correctamente, compruebe si el problema se puede resolver revisando la siguiente lista. En caso de errores o problemas, póngase en contacto con nuestro Servicio Postventa, cuyos detalles de contacto puede encontrar en el folleto de la garantía. Las piezas de repuesto estarán disponibles por un período de hasta 7 o hasta 10 años, de acuerdo con los requisitos específicos del Reglamento.

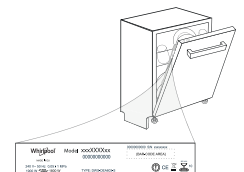
PROBLEMAS	CAUSAS POSIBLES	SOLUCIONES
El lavavajillas no se pone en marcha o no responde a las órdenes.	El aparato no está bien enchufado.	Introduzca el enchufe en la toma.
	Apagón.	Por razones de seguridad, el lavavajillas no se reiniciará automáticamente cuando se restablezca la alimentación eléctrica. Pulse el botón INICIO/PAUSA para reanudar el ciclo.
	La puerta del lavavajillas no está bien cerrada.	Empuje fuerte la puerta hasta que oiga el «clic».
	Se interrumpe el ciclo al abrir la puerta durante > 4 segundos.	Cierre la puerta y pulse el botón de INICIO/PAUSA
El lavavajillas no se vacía.	No responde a las órdenes.	Apague el aparato pulsando el botón ENCENDIDO/APAGADO, vuélvalo a encender aproximadamente al cabo de un minuto y reinicie el programa. Si el problema persiste, desenchufe el aparato durante 1 minuto y vuelva a enchufarlo.
	El ciclo de lavado todavía no ha finalizado.	Espere a que el ciclo de lavado termine.
	El tubo de desagüe está doblado.	Compruebe que el tubo de desagüe no esté doblado (<i>consulte las INSTRUCCIONES DE INSTALACIÓN</i>).
	El tubo de desagüe del fregadero está bloqueado.	Limpie el tubo de desagüe del fregadero.
El lavavajillas hace demasiado ruido.	El filtro está obturado con restos de comida.	Limpie el filtro (<i>consulte la LIMPIEZA DEL CONJUNTO DE FILTRADO</i>).
	Los artículos chocan entre ellos.	Coloque la vajilla correctamente (<i>consulte el LLENADO DEL LAVAVAJILLAS</i>).
La vajilla no está limpia.	Se ha producido una cantidad de espuma excesiva.	El detergente no se ha dosificado correctamente o no es adecuado para lavavajillas (<i>consulte el LLENADO DEL DISPENSADOR DE DETERGENTE</i>). Reinicie el lavavajillas pulsando el botón de VACIADO (<i>consulte las OPCIONES Y FUNCIONES</i>) y ejecute un nuevo programa sin detergente.
	La vajilla no está bien colocada.	Coloque la vajilla correctamente (<i>consulte el LLENADO DEL LAVAVAJILLAS</i>).
	Los brazos aspersores no pueden girar libremente, obstaculizados por la vajilla.	Coloque la vajilla correctamente (<i>consulte el LLENADO DEL LAVAVAJILLAS</i>).
	El ciclo de lavado es demasiado suave.	Seleccione un ciclo de lavado adecuado (<i>consulte la TABLA DE PROGRAMAS</i>).
	Se ha producido una cantidad de espuma excesiva.	El detergente no se ha dosificado correctamente o no es adecuado para lavavajillas (<i>consulte el LLENADO DEL DISPENSADOR DE DETERGENTE</i>).
	El tapón del compartimento del abrillantador no se ha cerrado correctamente.	Compruebe que el tapón del dispensador de abrillantador esté cerrado.
	El filtro está sucio u obturado.	Limpie el conjunto de filtrado (<i>consulte CUIDADO Y MANTENIMIENTO</i>).
El lavavajillas no se llena de agua. Todos los LED parpadearán rápidamente.	No hay sal.	Llene el depósito de sal (<i>consulte el LLENADO DEL DEPÓSITO DE SAL</i>).
	No hay entrada de agua o el grifo está cerrado.	Compruebe que haya suministro de agua o que el grifo esté abierto.
	La manguera de entrada está doblada.	Asegúrese de que la manguera de entrada no esté doblada (<i>consulte INSTALACIÓN</i>) vuelva a programar el lavavajillas y reinicie.
El lavavajillas finaliza el ciclo de forma prematura.	El tamiz de la manguera de entrada está obstruido; hay que limpiarlo.	Una vez comprobado y limpiado, apague y encienda el lavavajillas y reinicie un nuevo programa.
	El tubo de desagüe está demasiado bajo o bloquea el sistema de desagüe de la casa.	Compruebe si el extremo del tubo de desagüe está colocado a la altura correcta (<i>consulte INSTALACIÓN</i>). Compruebe si está obstruyendo el sistema de desagüe de la casa e instale una válvula de entrada de aire si es necesario.
	Aire en el suministro de agua.	Compruebe que el suministro de agua no tenga fugas o defectos que dejen entrar aire.



Puede consultar los reglamentos, la documentación estándar, así como pedir piezas de repuesto, mediante alguna de las siguientes formas:

- Visitando nuestra página web docs.indesit.eu y parts-selfservice.whirlpool.com
- Usando el código QR
- También puede, **ponerse en contacto con nuestro Servicio postventa** (Consulte el número de teléfono en el folleto de la garantía). Cuando se ponga en contacto con nuestro Servicio Postventa, deberá indicar los códigos que figuran en la placa de características de su producto.

La información del modelo puede consultarse a través del código QR de la etiqueta energética. La etiqueta también contiene el identificador del modelo que puede usarse para consultar el portal del registro en <https://eprel.ec.europa.eu>.



IGAPÄEVANE KASUTUS JUHEND



TÄNAME, ET OSTSITE INDESIT TOOTE.

Täielikuma tugiteenuse saamiseks registreerige oma seade aadressil: www.indesit.com/register

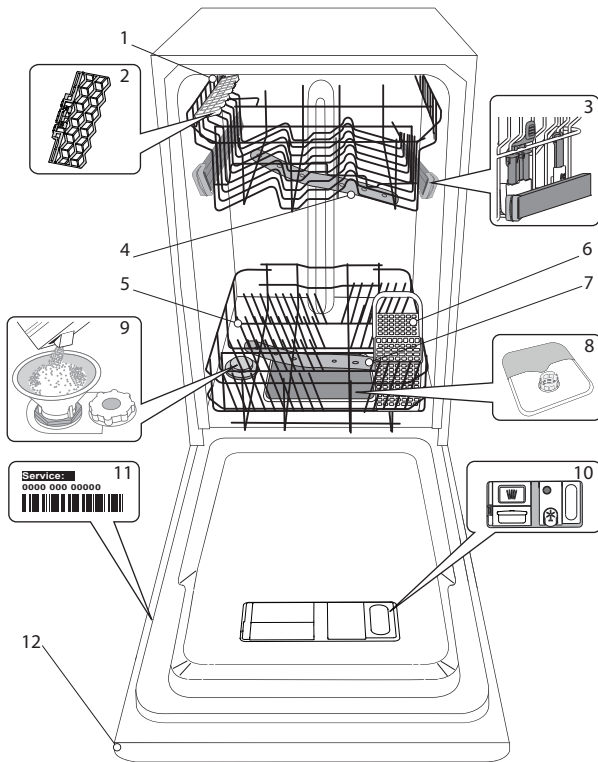
LISATEABE SAAMISEKS SKANNIGE SEADMEL OLEV QR-KOOD



! Enne seadme kasutamist lugege tähelepanelikult läbi Ohutusjuhised.

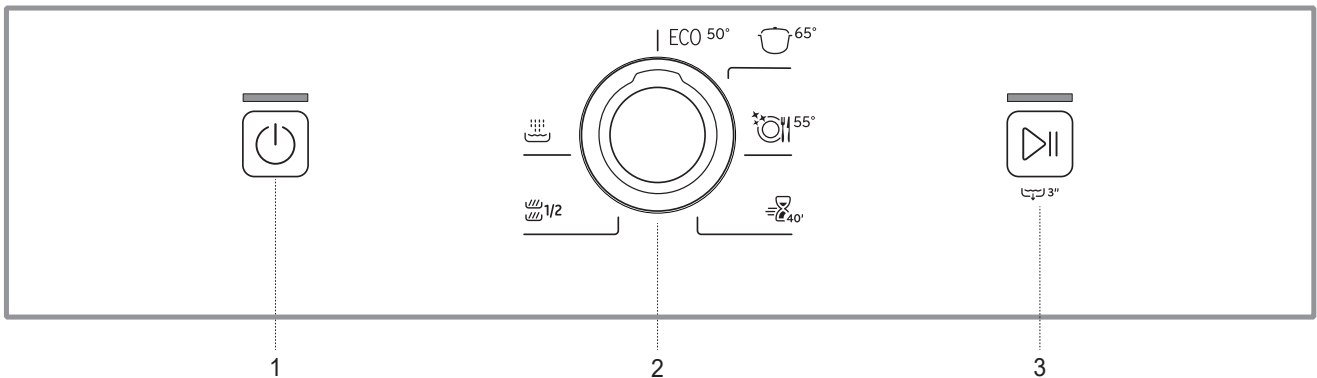
TOOTE KIRJELDUS

SEADE



1. Ülemine rest
2. Kokkukäivad labad
3. Ülemise resti kõrguse regulaator
4. Ülemine pihustushoob
5. Alumine rest
6. Söögiriistade korv
7. Alumine pihustushoob
8. Filtrikoost
9. Soolanõu
10. Pesu- ja loputusvahendi dosaatorid
11. Andmeplaat
12. Juhtpaneel

JUHTPANEEL



1. Sisse-/väljalülituse ja taaslähtestuse nupp koos indikaatortulega
2. Programmivaliku nupp
3. Stardi/pausi nupp koos indikaatortulega / Vee väljalase

ESMAKASUTUS

SOOL, LOPUTUSVAHEND JA PESUVAHEND

NÕUANDEID ESMAKASUTUSEKS

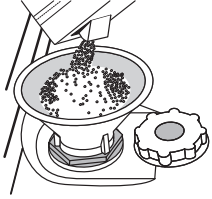
Seadme paigaldamise järel eemaldage restide stopperid ja ülemise resti elastsed fiksaatorid.

SOOLANÕU TÄITMINE

Soola kasutamine aitab vältida KATLAKIVI kogunemist nõudele ja masina funktsionaalsetele osadele.

- **SOOLANÕU** ei tohi **KUNAGI TÜHI OLLA**.
- Vee kareduse määramine on tähtis.

Soolapaak asub nõudepesumasina madalaimas osas (vt *TOOTE KIRJELDUST*) ja seda tuleb täita, kui roheline ujuk soolapaagi korgil pole enam nähtaval.



1. Eemaldage alumine rest ja keerake soolanõu kork lahti (vastupäeva).
2. **Ainult esimene kord, kui seda teete: täitke soolanõu veega.**
3. Paigaldage lehter (vt joonis) ja täitke soolanõu servani (umbes 1 kg); seejuures võib nõust väljuda vett.
4. Eemaldage lehter ja pühkige avalt soolajäägid.

Keerake kork kõvasti kinni, nii et pesuprogrammide ajal ei pääseks soolanõusse pesuvahendit (see võib veepuhendajat tõsiselt kahjustada).

Kui on vaja soola lisada, tuleb seda roostetamise ärahoidmiseks teha enne pesutsükli alustamist.

VEE KAREDUSE MÄÄRAMINE

Et veepuhendaja saaks ideaalselt töötada, peab vee karedus olema määratud vastavalt vee reaalsele karedusele teie kodus. Seda teavet saate oma vee-ettevõttelt.

Tehases määratakse vee kareduse vaikeväärtus.

- Lülitage seade **SISSE-/VÄLJALÜLITUSE** nupust sisse.
- Lülitage seade **SISSE-/VÄLJALÜLITUSE** nupust välja.
- Hoidke **STARDI/PAUSI** nuppu viie sekundi vältel all.
- Lülitage seade **SISSE-/VÄLJALÜLITUSE** nupust sisse.
- Nupu **SISSE-/VÄLJALÜLITUSE LED-lamp** vilgub nii palju kordi, kui seati tasemeks.
- Seadke soovitud vee kareduse tase nupuga **PROGRAMMIVALIK** (vt jaotist *VEE KAREDUSE TABEL*).

Vee kareduse tabel				
Tase		°dH Saksa kraadid	°fH Prantsuse kraadid	°Clark (UK) kraadid
1	ECO Pehme	0 - 6	0 - 10	0 - 7
2	Keskmine	7 - 11	11 - 20	8 - 14
3	Keskmine	12 - 16	21 - 29	15 - 20
4	Kare	17 - 34	30 - 60	21 - 42
5	Väga kare	35 - 50	61 - 90	43 - 62

- Lülitage seade **SISSE-/VÄLJALÜLITUSE** nupust välja.

Vee karedus on määratud!

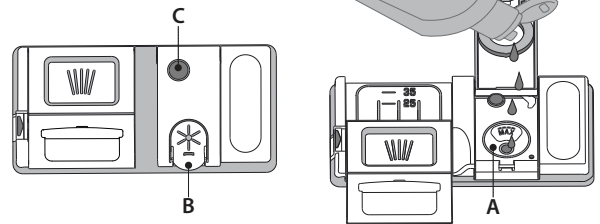
Kohe pärast seda protseduuri käivitage suvaline pesuprogramm ilma nõusid masinasse panemata.

Kasutage ainult spetsiaalselt nõudepesumasinatele mõeldud soola. Kui soolanõu ei ole täidetud, võib katlakivi kogunemine kahjustada veepuhendajat ja kütteelementi.

Soola on soovitatav kasutada igat tüüpi nõudepesumasina pesuainega.

LOPUTUSVAHENDI DOSAATORI TÄITMINE

Loputusvahend muudab nõude KUIVATAMISE lihtsamaks. Loputusvahendi paaki **A** tuleks täita, kui tume optiline indikaator paagi luugil **C** muutub läbipaistvaks.



1. Dosaatori **B** avamiseks vajutage kaanel olevat sakkii ja tõmmake seda enda poole.
2. Valage dosaatorisse ettevaatlikult loputusvahendit, kuni selle tase jõuab maksimumtasel (110 ml) näitava sälguni täiteaval - vältige loputusvahendi mahavoolamist. Kui see juhtub, kuivatage maha voolanud vahend kohe kuiva lapiga.
3. Vajutage kaant, kuni see klõpsuga sulgub.

ÄRGE valage loputusvahendit otse pesukambrisse.

LOPUTUSVAHENDI DOOSI REGULEERIMINE

Kui te ei ole kuivatamise tulemustega täielikult rahul, saate kasutatava loputusvahendi kogust reguleerida.

- Lülitage nõudepesumasin **SISSE-/VÄLJALÜLITUSE** nupust sisse.
- Lülitage see **SISSE-/VÄLJALÜLITUSE** nupust välja.
- Vajutage kolm korda nuppu **STARDI/PAUSI**.
- Lülitage see **SISSE-/VÄLJALÜLITUSE** nupust sisse.
- Nupu **STARDI/PAUSI LED-lamp** vilgub nii palju kordi, kui seati tasemeks.
- Seadke loputusvahendi koguse tase nupuga **PROGRAMMIVALIK** (vt jaotist *PROGRAMMIDE TABEL*).
- Lülitage see **SISSE-/VÄLJALÜLITUSE** nupust välja.

Vee karedus on määratud!

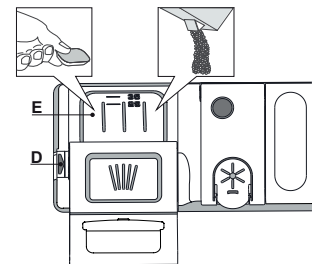
Kui loputusvahendi tasemeks on määratud 1 (ECO), siis loputusvahendit ei kasutata.

Olenevalt nõudepesumasina mudelist saab valida kuni 5 taseme vahel. Tehasesäte on mudelispetsiifiline, järgige ülalpool toodud juhiseid, et seda oma masinal kontrollida.

- Kui nõudel esineb sinakaid jälgi, määrake madalam tase (2-3).
- Kui nõudel on veepiiskade või katlakivi jälgi, määrake kõrgem tase (4-5).

PESUVAHENDI DOSAATORI TÄITMINE

Pesuvahendi dosaatori avamiseks kasutage avamisseedet D. Pange pesuvahend ainult kuiva dosaatorisse E. Eelpesu jaoks mõeldud pesuvahend pange otse pesukambrisse.




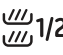



1. Pesuvahendi doseerimisel kasutage õige koguse määramiseks eelmainitud teavet. Dosaatori **E** sees on näidud abiks puhastusvahendi doseerimisel.
2. Puhastage dosaatori servadelt pesuvahendi jäägid ja sulgege kaas (kostab klõpsatus).
3. Pesuvahendi dosaatori kaane sulgemiseks tõmmake seda ülespoole, kuni sulgemisseade on kindlalt oma kohal.

Pesuvahendi dosaator avaneb automaatselt, kui vastavas programmis on selleks õige hetk käes.

Muu pesuaine peale nõudepesumasina oma kasutamine võib kasa tuua seadme rikke.

PROGRAMMIDE TABEL

Programm			Kuivatamine faas	Pesu programmi kestus (t:min) ^{*)}	Veekulu (liitrit tsükli kohta)	Elektrikulu (kWh/tsükkel)
1 Säästurežiim (Öko)	ECO	50°	✓	4:00	11,5	0,78
2 Intensiivrežiim		65°	✓	2:30	15,0	1,50
3 Sega		55°	✓	2:25	15,0	1,35
4 Kiire 40'		45°	-	0:40	8,0	0,90
5 Pool kogust		50°	✓	1:15	11,0	0,90
6 Leotus		-	-	0:10	4,0	0,01

Säästuprogrammi andmed on mõõdetud laboratoorses tingimustes vastavalt Euroopa standardile EN 60436:2020.

Märkus katselaboritele: teavet võrdlevate EN-katsetingimuste kohta saate meiliaadressil: dw_test_support@whirlpool.com

Nõude eeltötlus ei ole ühegi programmi kasutamise eelselt vajalik.

*) Programmide väärtused (v.a Säästurežiim (Öko) on ainult näitlikud. Tegelik aeg võib varieeruda olenevalt paljudest teguritest, nagu näiteks sissevõetava vee temperatuur ja rõhk, toatemperatuur, pesuvahendi kogus, pestavate nõude hulk ja tüüp, nõude paigutus, lisavalikud ja anduri kalibreering. Anduri kalibreering võib pikendada programmi kestust kuni 20 minuti võrra.

PROGRAMMIDE KIRJELDUS

Juhised pesutsükli valimiseks.

1 SÄÄSTUREŽIIM (ÖKO)

Säästuprogramm sobib tavaliselt määratud nõude pesemiseks, see programm kasutab selleks otstarbeks kõige optimaalsemalt energiat ja vett ning seda programmi kasutatakse Euroopa Liidu ökodisaini nõuetega vastavuses olemise hindamiseks.

2 INTENSIIVREŽIIM

Soovitav tugevasti määratud sööginõude pesemiseks. Eriti sobiv pannide ja pottide pesemiseks (ärge kasutage õrnade nõude puhul).

3 SEGA

Erinev määrumine. Keskmiselt määratud nõud, millel on kuivanud toidujääke.

4 KIIRE 40'

Programm poole masinatäie kergelt määratud kuivanud toidujääkidega nõude pesemiseks. Ilma kuivatusfaasita.

5 POOL KOGUST

Suurepärane poole koguse kergelt või normaalselt määratud nõude pesemiseks.

6 LEOTUS

Kasutatakse lauanõude värskendamiseks, et neid hiljem pesta. Selle programmiga pesuvahendit ei kasutata.

Märkused

Arvestage, et tsükkel *Kiire 40'* on mõeldud kergelt määratud nõude jaoks.

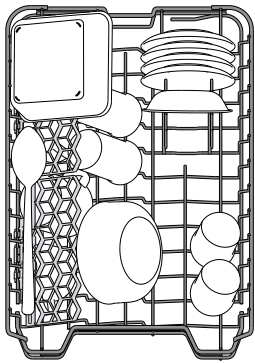
VALIKUD JA FUNKTSIOONID

VEE VÄLJALASEO

Aktiivse tsükli saab peatada ja tühistada funktsiooni Vee väljalase abil. VEE VÄLJALASKE funktsioon käivitub, kui pikalt all hoida STARDI/PAUSI nuppu. Aktiivne programm seiskub ja nõudepesumasinas olev vesi lastakse välja.

RESTIDE TÄITMINE

ÜLEMINE REST



(ülemise resti laadimisenäidis)

Sia paigutage õrnemad ja kergemad nõud: klaasid, tassid, alustassid, madalad salatikausid.

ÜLEMISE RESTI KÕRGUSE REGULEERIMINE

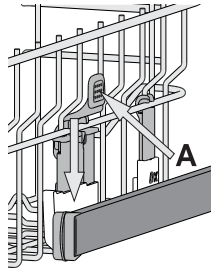
Ülemise resti kõrgust saab reguleerida: kui see paigutada kõrgemale, mahuvad alumisele restile suuremad nõud, kui see aga seada madalamale, saab paremini ära kasutada ülemise resti tugesid, luues üles rohkem ruumi ja vältides kokkupuudet alumisel restil asuvate nõudega.

Ülemisel restil on olemas **ülemise resti kõrguse regulaator** (vt joonis), resti tõstmiseks pole vaja hoobasid vajutada, vaid tõstke seda lihtsalt äärtest hoides ülespoole, kuni see on stabiilselt ülemises positsioonis paigal.

Tagasi alumisse positsiooni paigutamiseks vajutage hoobasid **A** resti äärtel ja liigutage korvi allapoole.

On äärmiselt soovitatav mitte muuta resti kõrgust siis, kui see on nõusid täis.

ÄRGE tõstke või langetage korvi ainult ühelt poolt.



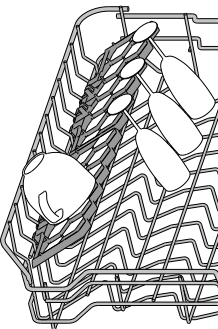
REGULEERITAVA PAIGUTUSEGA KOKKUKÄIVAD LABAD

Külgmised kokkukäivad labad on võimalik kokku panna või lahti võtta, et optimeerida restil olevate nõude paigutust.

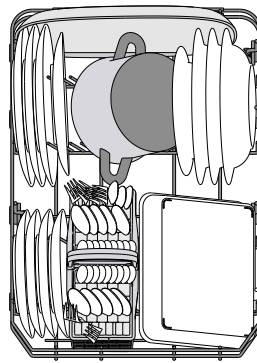
Veiniklaasid saab turvaliselt kokkukäivate labade vahele paigutada, seades klaasi jala vastavasse pilusse.

Sõltuvalt mudelist:

- laba lahtitegemiseks tuleb seda üles lükata ja pöörata, et see klambrite küljest vabastada, ning seejärel alla tõmmata.
- laba kokkupanemiseks tuleb seda pöörata ja alla lükata või üles tõmmata, et see klambrite külge kinnitada.



ALUMINE REST

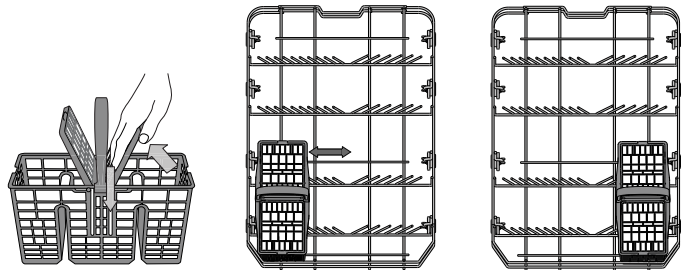


(alumise korvi laadimisenäidis)

Pottidele, pannidele, taldrikutele, salatikaussidele, söögiriistadele jne. Ideaaljuhul tuleks taldrikud paigutada külgedele, et need ei puutuks kokku pihustihoovaga.

SÖÖGIRIISTADE KORV

Söögiriistade optimaalseks paigutamiseks on see varustatud katterestidega. Söögiriistade korvi tohib paigutada ainult alumise resti eesmisse ossa.



Noad ja muud teravad esemed tuleb söögiriistakorvi paigutada teradega allapoole või asetada need horisontaalselt ülemise resti ülestõttavate tuggedega vahele.

IGAPÄEVANE KASUTAMINE

1. VEEÜHENDUSE KONTROLL

Veenduge, et nõudepesumasin on veevärgiga ühendatud ja kraan on lahti.

2. LÜLITAGE NÕUDEPESUMASIN SISSE

Vajutage **SISSE-/VÄLJALÜLITUSE** nuppu.

3. PANGE NÕUD RESTIDELE (vt jaotist RESTIDE TÄITMINE).

4. PESUVAHENDI DOSAATORI TÄITMINE

5. VALIGE PROGRAMM JA SOBIV PESUTSÜKKEL

Valige sobivaim programm vastavalt nõude tüübile ja määrdumisastmele (vt jaotist PROGRAMMIDE KIRJELDUS), pöörates **nuppu PROGRAMMIVALIK** päripäeva. Tehke soovitud valikud (vt jaotist VALIKUD JA FUNKTSIOONID).

6. START

Käivitage pesutsükkel, vajutades nuppu **STARDI/PAUSI**.

7. PESUTSÜKLI LÕPP

Pesutsükli lõppemisele viitavad nupu **SISSE-/VÄLJALÜLITUSE LED-lambi** süttimine. Lülitage seade **SISSE-/VÄLJALÜLITUSE** nupust välja ja avage uks.

Põletuste vältimiseks oodake paar minutit enne nõude väljavõtmist. Tühjendage restid, alustades alumisest.

Pikemate jõudeperioodide ajal lülitub masin automaatselt välja, et minimeerida elektrikulu. Kui nõud ei ole eriti määrdunud või neid on enne masinasse paigutamist jooksva veel all loputatud, vähendage vastavalt ka pesuvahendi kogust.

TÖÖTAVA PROGRAMMI MUUTMINE

Kui valisite vale programmi, saab seda kohe programmi alguses veel muuta: vajutage **SISSE-/VÄLJALÜLITUSE** nuppu ja hoidke seda all, masin lülitub välja.

Lülitage masin **SISSE-/VÄLJALÜLITUSE** nuppu vajutades taas sisse ja valige uus pesutsükkel ning võimalikud lisavalikud; tsükli käivitamiseks vajutage **STARDI/PAUSI** nuppu.

NÕUDE LISAMINE

Masinat välja lülitamata avage uks (**ettevaatust, KUUM aur!**) ja pange masinasse nõusid juurde. Sulgege uks ja vajutage **STARDI/PAUSI** nuppu; tsüklil jätkub poolelijäänud kohalt.

OOTAMATUD KATKESTUSED

Kui pesutsükli ajal masina uks avatakse või tekib voolukatkestus, siis tsüklil seiskub. Kui uks taas suletakse või vool taastub, vajutage tsükli jätkamiseks poolelijäänud kohalt **STARDI/PAUSI** nuppu.

NÕUANDED JA NÄPUNÄITED

NÕUANDED

Enne nõude korvi ladumist pühkige neilt toidujäägid ja valage klaasid tühjaks. **Nõusid eelnevalt jooksva vee all loputada ei ole vaja.**

Paigutage nõud nii, et need on kindlalt paigas ega saa ümber kukkuda; anumad seadke avaga allapoole ja kumerad/nõgusad pinnad kaldu, et vesi pääseks igale pinnale ligi ja saaks vabalt voolata.

Hoiatus! Kaaned, käepidemed, kandikud ja pannid ei tohi takistada pihustihobade pöörlõuet.

Väikesed esemed paigutage söögiriistade korvi.

Tugevalt määrdunud nõud ja potid-pannid tuleks asetada alumisse korvi, sest selles osas on veejoad tugevamad ja pesemine tõhusam.

Kui olete nõud masinasse pannud, kontrollige, et pihustihooavad saavad vabalt pöörelda.

SOBIMATUD NÕUD

- Puidust nõud ja söögiriistad.
- Õrnad kaunistustega klaasid, kunstkäsitöö ja antiiknõud. Nende kaunistused ei talu masinapesu.
- Sünteetilistest, suurt kuumust mittetaluvatest materjalidest esemed.
- Vasest ja tinast nõud.
- Tuha, vaha, määrdainete või tindiga määrdunud nõud. Klaasimaalingute ja alumiiniumist/hõbedast nõude värvid võivad pesu käigus muutuda. Mõned klaasisordid (nt kristallesemed) võivad mitme pesutsükli tagajärjel muutuda ka läbipaistmatuks.

KLAAS- JA PORTSELANNÕUDE KAHJUSTUSED

- Peske masinas ainult selliseid nõusid, mille kohta tootja on kinnitanud, et need sobivad masinapesuks.
- Kasutage nõudega sobivat õrnatoimelist pesuvahendit.
- Võtke klaasid ja söögiriistad kohe pärast pesutsükli lõppu masinast välja.

SOOVITUSED ENERGIA KOKKUHOOIUKS

- Kui kodust nõudepesumasinat kasutatakse tootja juhiste kohaselt, **kulutab nõude pesemine nõudepesumasinas üldiselt VÄHEM ENERGIAT ja vett kui käsitsipesu.**
- Nõudepesumasina optimaalseks kasutuseks **on soovitatav käivitada pesutsükkel siis, kui masin on täis.** Koduse nõudepesumasina tootja poolt lubatud mahuni täis laadimine aitab säästa energiat ja vett. Teavet nõude õigesti laadimise kohta leiate peatükist RESTIDE TÄIS LAADIMINE. Osalise täitmise korral on soovitatav võimaluse korral kasutada spetsiaalseid programme (Half load (Pool täit) / Zone Wash (Tsoonipesu) / Multizone (Mitu tsooni)) ja täita vaid valitud restid. Nõudepesumasina valesti täitmine ja ületäitmine võib rohkem ressursse kulutada (vesi, energia ja aeg, suurem müratase) ning vähendada pesu ja kuivatamise kvaliteeti.
- Nõude käsitsi eelloputus suurendab vee ja energia kulu ning ei ole soovitatav.

HÜGIEEN

Vältimaks ebameeldivaid lõhnu ja setteid, mis võivad masinasse koguneda, **käivitage vähemalt kord kuus mõni kõrge temperatuuriga programm.** Pange masinasse teelusikatäis pesuvahendit ja laske programmil lõpuni käia ilma nõusid masinasse panemata.

HOOLDUS

FILTRI PUHASTAMINE

Puhastage filtrikoostu regulaarselt, et filtrid ei ummistuks ja vesi saaks vabalt masinast välja voolata.

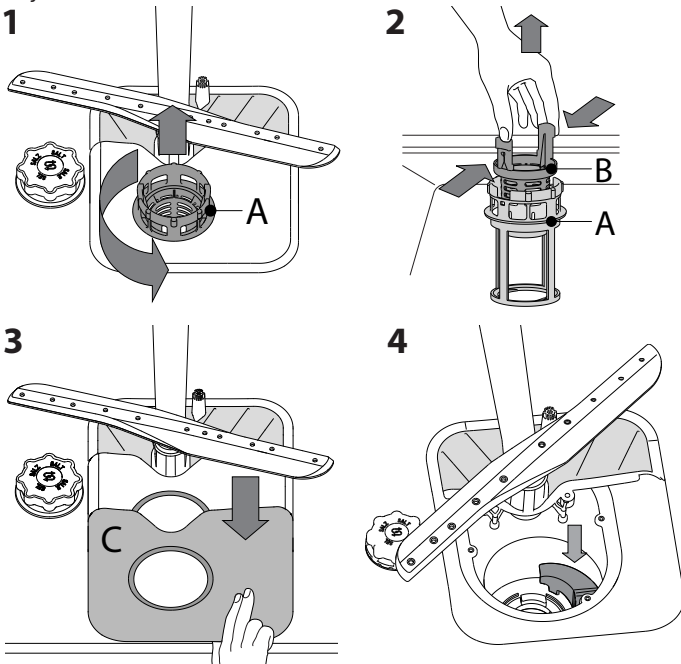
Nõudepesumasina kasutamine ummistunud filtritega või võõrkehadega filtrisüsteemis või pihustivartel võib kaasa tuua seadme talitlushäired, nagu jõudluse vähenemine, müra suurenemine ja suurem ressursikasutus.

Filtrikoost koosneb kolmest filtrist, mis koguvad pesuveest kokku toiduosakesed ja suunavad siis vee taasinglusse.

Nõudepesumasinat ei tohi kasutada, kui filtrid puuduvad või on kinnitatud.

Kontrollige filtrikoostu vähemalt üks kord kuus või iga 30 tsükli tagant ja vajaduse korral puhastage seda põhjalikult jooksva vee all, kasutades allpool toodud juhiste kohaselt mittemetallist harja:

1. Keerake silindrilist filtrit **A** vastupäeva ja tõmmake see välja (joonis 1).
2. Eemaldage kuppelfilter **B**, avaldades selle küljetiibadele kerget survet (joonis 2).
3. Libistage välja roostevabast terasest plaatfilter **C** (joonis 3).
4. Kui leiate võõrkehaid (purunenud klaas, portselan, kondid, seemned vms), eemaldage need ettevaatlikult.
5. Kontrollige filtrilõksu ja eemaldage sellest kõik toidujäägid. **ÄRGE KUNAGI EEMALDAGE** pesutsükli pumba kaitset (must detail) (joonis 4).



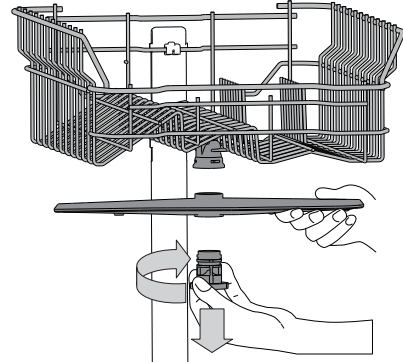
Pärast filtrite puhastamist pange filtrikoost tagasi ja kinnitage korralikult oma kohale; see on nõudepesumasina tõhusa töö tagamiseks ülioluline.

VEE SISSEVÖTUVOOLIKU PUHASTAMINE

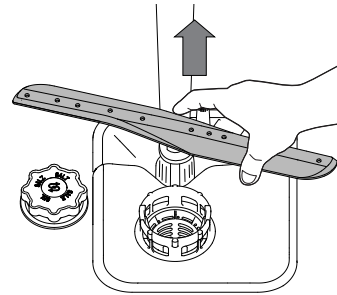
Kui veevoolikud on uued või olnud pikalt kasutamata, laske veel neist läbi voolata, et oleks kindel, et need on takistustest vabad ja puhtad; seejärel kontrollige üle ühenduskohad. Kui seda ettevaatusabinõu ei järgita, võib voolik ummistuda ja pesumasinat kahjustada.

PIHUSTIHOODE PUHASTAMINE

Vahel võivad toiduosakesed kleepuda pihustihooade külge ja ummistada vee pihustusavad. Seepärast soovitame hoobasid aeg-ajalt kontrollida ja väikese mitte-metallist harjaga puhastada.



Ülemise pihustihooa eemaldamiseks keerake plastist lukustrõngast päripäeva. Ülemise pihustihooa tagasipanekul tuleks jälgida, et suurema aukude arvuga pool jääks ülespoole.



Alumise pihustihooa saab eemaldada, tõmmates seda üles.

VEEPEHMENDUSSÜSTEEM

Veepehmedaja vähendab automaatselt vee karedust, hoides seeläbi ära katlakivi tekke kütteelemendile ja tõhustades pesu.

See süsteem taastab ennast soola abil, seega tuleb soolanõu tühjenemise korral uuesti soolaga täita.

Taastesagedus oleneb vee karedusastmes seadest: regeneratsioon leiab aset üks kord 5 ökotsükli kohta, kui vee karedusastmeks on määratud 3. Taastusprotsess algab viimase loputuse ajal ja lõppeb kuivatuse ajal enne tsükli lõppu.

- Üks taastamine: ~ kulutab 3,5 l vett;
- lisab tsükli kestusele 5 minutit;
- kulutab vähem kui 0,005 kWh energiat.

VEAOTSING

Kui nõudepesumasin ei tööta korralikult, kontrollige, kas probleemi on võimalik lahendada allpool oleva loendi abil. Kui esineb muid vigu või probleeme, pöörduge volitatud müügiärgsesse teenindusse, mille kontaktandmed leiate garantiibrošüürist. Varuosad on saadaval vastavalt kehtivatele erinõuetele kuni 7 või kuni 10 aastat..

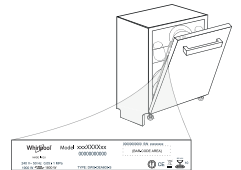
PROBLEEMID	VÕIMALIKUD PÕHJUSED	LAHENDUSED
Nõudepesumasin ei käivitu või ei reageeri käskudele.	Masin ei ole korralikult vooluvõrguga ühendatud.	Ühendage pistik seinakontakti.
	Voolukatkestus.	Ohutuse tagamiseks ei käivitata nõudepesumasinat elektri taastumise järel automaatselt. Tsükli jätkamiseks vajutage nuppu STARDI/Pausi.
	Nõudepesumasina uks ei ole suletud.	Lükake ust tugevalt, kuni kuulete klõpsu.
	Tsükkel katkeb kui uks avatakse pikemaks ajaks kui 4 sekundit.	Sulgege uks ja vajutage nuppu STARDI/Pausi.
	See ei reageeri käskudele.	Lülitage seade nupuga SISSE/VÄLJA välja, lülitage see ligikaudu ühe minuti pärast uuesti sisse ja taaskäivitage programm. Kui probleem ei kao, lahutage seade 1 minutiks vooluvõrgust ja ühendage see siis uuesti.
Vesi ei voola nõudepesumasinat välja.	Pesutsükel ei ole veel lõppenud.	Oodake pesutsükli lõppemiseni.
	Tühjendusvoolik on kokku murtud.	Kontrollige, kas tühjendusvoolik pole kokku murtud (vt jaotist PAIGALDUSJUHISED).
	Vee äravool on umbes.	Puhastage vee äravoolutoru.
	Filter on toidujääkidega ummistunud.	Puhastage filter (vt jaotist FILTRIKOOSTU PUHASTAMINE).
Nõudepesumasin teeb liiga tugevat müra.	Nõud kolisevad üksteise vastu.	Asetage nõud õigesti (vt jaotist RESTIDE TÄITMINE).
	Tekib liiga palju vahtu.	Pesuvahendit on valesti doseeritud või ei sobi see nõudepesumasinas kasutamiseks (vt jaotist PESUVAHENDI DOSAATORI TÄITMINE). Pesumasina lähtestamiseks vajutage VEE VÄLJALASEO nuppu (vt jaotist VALIKUD JA FUNKTSIOONID) ja käivitage uus programm ilma pesuvahendita.
Nõud ei ole puhtad.	Nõud ei ole korralikult paigutatud.	Asetage nõud õigesti (vt jaotist RESTIDE TÄITMINE).
	Pihustihoovald ei saa vabalt liikuda, sest nõud takistavad neid.	Asetage nõud õigesti (vt jaotist RESTIDE TÄITMINE).
	Pesutsükel oli liiga õrn.	Valige sobiv pesutsükel (vt PROGRAMMIDE TABELIT).
	Tekib liiga palju vahtu.	Pesuvahendit on valesti doseeritud või ei sobi see nõudepesumasinas kasutamiseks (vt jaotist PESUVAHENDI DOSAATORI TÄITMINE).
	Loputusvahendi dosaatori kaas ei ole korralikult kinni.	Veenduge, et loputusvahendi dosaatori kaas on suletud.
	Filter on määrdunud või ummistunud.	Puhastage filtrikoost (vt jaotist HOOLDUS).
	Masinas ei ole soola.	Täitke soolaanum (vt jaotist SOOLAANUMA TÄITMINE).
Nõudepesumasinasse ei tule vett. Kõik LED-id vilguvad kiiresti.	Torustikus ei ole vett või on kraan kinni.	Veenduge, et torustikust tuleb vett ja kraan on lahti.
	Sissevõtuvoolik on kokku surutud.	Veenduge, et sissevõtuvoolik poleks kokku surutud (vt PAIGALDUS), programmeerige masin uuesti ja käivitage.
	Vee sissevõtuvooliku sõel on umbes; see vajab puhastamist.	Kui olete sõela kontrollinud ja puhastanud, lülitage nõudepesumasin välja ja uuesti sisse ning käivitage uus programm.
Nõudepesumasin lõpetab tsükli enneaegselt.	Äravooluvoolik on liiga madalal või äravooluava juurest vaakumisse tõmmanud.	Veenduge, et äravooluvooliku ots oleks õigel kõrgusel (vt PAIGALDUS). Kontrollige ühendust äravooluavaga ja vajaduse korral paigaldage õhuklapp.
	Õhk veevarustuses.	Kontrollige, kas veevarustuses on lekkeid või muid probleeme.



Poliitika, standardite dokumentatsioon ja toote lisateave on saadaval järgmiselt:

- Küllastades veebisaita docs.indesit.eu ja parts-selfservice.whirlpool.com
- QR-koodi kasutamine
- Teise võimalusena võtke ühendust meie müügiärgse teeninduskeskusega (vt telefoninumbrit garantiikirjas). Kui võtate ühendust müügiärgse teenindusega, siis teatage neile oma toote andmeplaadil olevad koodid.

Mudeliteavet on võimalik näha QR-koodi kasutades, mille leiate energiasildilt. Sildil on lisaks mudeli identifikaator, mida saab kasutada registriportaalil aadressil <https://eprel.ec.europa.eu> (saadaval ainult teatud mudelitel).



VODIČ ZA SVAKODNEVNU UPOTREBU



ZAHVALJUJEMO VAM NA KUPOVINI PROIZVODA INDESIT. Kako bismo vam mogli pružiti potpuniju pomoć, registrirajte svoj uređaj na adresi: www.indesit.com/register

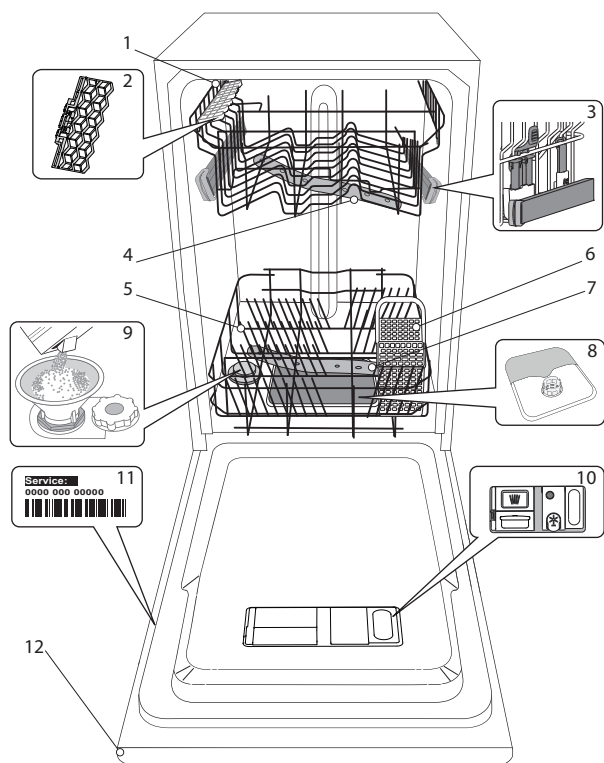
SKENIRAJTE QR KOD NA SVOM UREĐAJU DA BISTE DOBILI VIŠE INFORMACIJA



⚠ Prije upotrebe uređaja pažljivo pročitajte Sigurnosne upute.

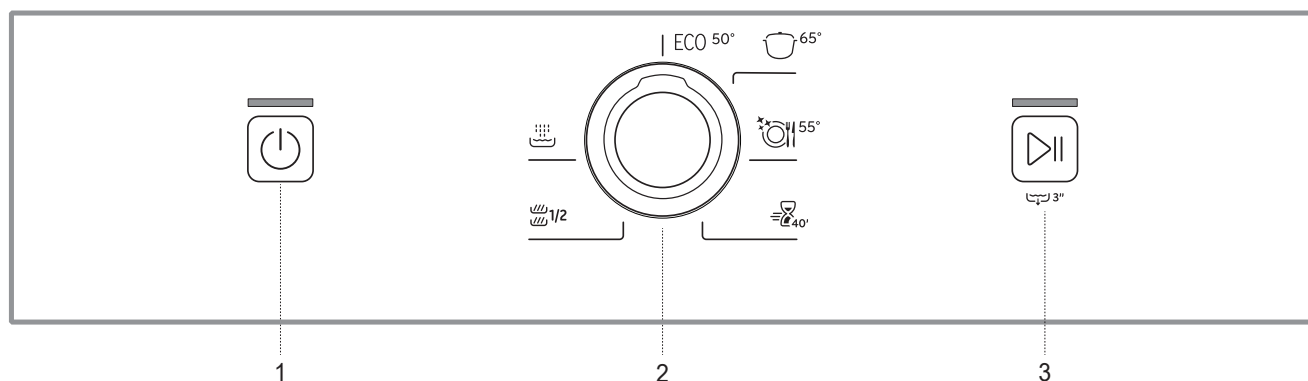
OPIS PROIZVODA

UREĐAJ



1. Gornja košara
2. Pomični preklopi
3. Mehanizam za podešavanje gornje košare po visini
4. Gornji nosač prskalice
5. Donja košara
6. Košara za pribor za jelo
7. Donji nosač prskalice
8. Sklop filtra
9. Spremnik za sol
10. Spremnici za deterdžent i sredstvo za ispiranje
11. Natpisna pločica
12. Upravljačka ploča

UPRAVLJAČKA PLOČA



1. Gumb za uklj/isklj/ponovno postavljanje sa svjetlom indikatora
2. Gumb za odabir programa
3. Gumb Start/Pauza sa svjetlom indikatora / Ispuštanje vode

PRVA UPOTREBA SOL, SREDSTVO ZA ISPIRANJE I DETERDŽENT

SAVJETI ZA PRVU UPOTREBU

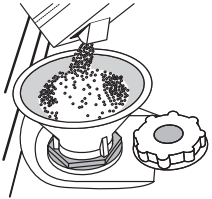
Nakon postavljanje uklonite graničnike s košara i pričvrstne elastične elemente s gornje košare.

PUNJENJE SPREMNIKA ZA SOL

Upotreba soli sprječava stvaranje kamenca na posuđu i na funkcionalnim sastavnim dijelovima stroja.

- Nužno je pridržavati se toga da **SPREMNIK SOLI NIKADA NIJE PRAZAN**. Tvrdoća vode mora se postaviti.

Spremnik za sol nalazi se u donjem dijelu perilice posuđa (pogledajte Opis proizvoda) i mora se napuniti kada zeleni plovak na poklopcu spremnika za sol više nije vidljiv.



- Skinite donju košaru i odvijte čep spremnika (u smjeru suprotnom od smjera kazaljke na satu).
- Samo kod prve uporabe: napunite spremnik za sol vodom.**
- Postavite lijevak (pogledajte sliku) i spremnik soli napunite do samog ruba (približno 1 kg); Curenje male količine vode nije neobično.
- Uklonite lijevak i obrišite ostatke soli s otvora.

Provjerite je li poklopac čvrsto zategnut tako da deterdžent ne može ući u spremnik tijekom programa pranja (to bi moglo nepovratni oštetiti omekšivač vode).

Svaki put kada trebate dodati sol obavezno treba završiti cijeli postupak prije početka ciklusa pranja da bi se izbjegla pojava korozije.

POSTAVLJANJE TVRDOĆE VODE

Kako bi omekšivač vode mogao savršeno raditi, tvrdoća vode mora se postaviti na temelju stvarne tvrdoće vode u domaćinstvu. Tu informaciju možete dobiti u lokalnom vodoopskrbnom poduzeću. Zadana vrijednost tvrdoće vode postavlja se u tvornici.

- Uključite uređaj tako da pritisnete gumb za **uključivanje/isključivanje**.
- Uređaj isključite tako da pritisnete gumb za **uključivanje/isključivanje**.
- Držite pritisnutim gumb **START/PAUZA** 5 sekundi.
- Uključite uređaj tako da pritisnete gumb za **uključivanje/isključivanje**.
- LED svjetlo za uključivanje/isključivanje** treperit će onoliko puta koliko je postavljena razina.
- Željenu razinu tvrdoće vode postavite pomoću **gumba ODABIR PROGRAMA** (pogledajte **TABLICU TVRDOĆE VODE**).

Tablica tvrdoće vode				
Razina		°dH Njemački stupnjevi	°fH Francuski stupnjevi	°Clark Engleski stupnjevi
1	ECO Meka	0 - 6	0 - 10	0 - 7
2	Srednja	7 - 11	11 - 20	8 - 14
3	Prosječna	12 - 16	21 - 29	15 - 20
4	Tvrda	17 - 34	30 - 60	21 - 42
5	Vrlo tvrda	35 - 50	61 - 90	43 - 62

- Uređaj isključite tako da pritisnete gumb za **uključivanje/isključivanje**. Postavljanje je dovršeno!

Čim taj postupak završi, pokrenite program bez punjenja.

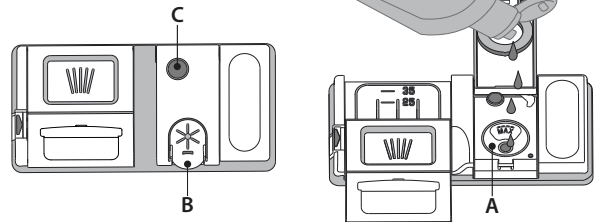
Upotrebljavajte isključivo sol koja je napravljena posebno za perilice suđa.

Ako spremnik za sol nije napunjen zbog nakupljanja kamenca može doći do oštećenje omekšivača vode i grijača.

Upotreba soli preporučuje se sa svim vrstama deterdženta za pranje suđa.

PUNJENJE DOZATORA SREDSTVA ZA ISPIRANJE

Sredstvo za ispiranje olakšava **SUŠENJE** posuđa. Spremnik sredstva za ispiranje **A** treba napuniti kada tamni optički indikator na vratima spremnika **C** postane proziran.



- Otvorite dozator **B** tako da pritisnete i povučete jezičac na poklopcu.
- Pažljivo uvedite sredstvo za ispiranje do referentne oznake maksimalne količine (110 ml) prostora za punjenje, pazite da ne dođe do prolijevanja. Ako se to dogodi, suhom krpom odmah očistite proliveno.
- Pritisnite poklopac dok se ne zatvori uz klik.

Sredstvo za ispiranje NIKADA ne ulijevajte izravno u kadicu.

PODEŠAVANJE DOZIRANJA SREDSTVA ZA ISPIRANJE

Ako niste potpuno zadovoljni rezultatima sušenja, možete podesiti količinu upotrijebljenog sredstva za ispiranje.

- Perilicu suđa uključite pomoću gumba za **uključivanje/isključivanje**.
- Isključite je pomoću gumba za **uključivanje/isključivanje**.
- Tri puta pritisnite gumb **START/PAUZA**.
- Uključite je pomoću gumba za **uključivanje/isključivanje**.
- LED svjetlo za START/PAUZA** treperit će onoliko puta koliko je postavljena razina.
- Količinu sredstva za ispiranje koja će se upotrijebiti postavite pomoću **gumba ODABIR PROGRAMA** (pogledajte **TABLICU PROGRAMA**).
- Isključite ga pomoću gumba za **uključivanje/isključivanje**.

Postavljanje je dovršeno!

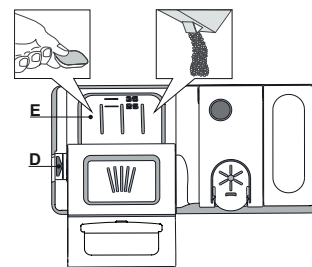
Ako je razina sredstva za ispiranje postavljena na 1 (ECO), sredstvo za ispiranje neće se upotrijebiti.

Ovisno o vrsti perilice suđa mogu se postaviti najviše 5 razine. Tvornička postavka posebno je napravljena za ovaj model, pratite gore navedene upute da biste je provjerili na svom uređaju.

- Ako na suđu primijetite plavičaste pruge, postavite nizak broj (2-3).
- Ako na suđu ima kapi vode ili tragova kamenca, postavite viši broj (4-5).

PUNJENJE SPREMNIKA ZA DETERDŽENT

Za otvaranje spremnika za deterdžent upotrijebite uređaj za otvaranje D. Deterdžent stavite samo u suhi spremnik E. Količinu deterdženta za pretpranje stavite izravno u kadu.




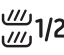



- Prilikom doziranja deterdženta pogledajte ranije navedene informacije kako biste stavili odgovarajuću količinu. Unutar dozatora **E** nalaze se oznake koje vam pomažu prilikom doziranja.
- Uklonite ostatke deterdženta s rubova spremnika prije no što poklopac zatvorite tako da sjedne.
- Poklopac spremnika za deterdžent zatvorite tako da ga povučete dok se mehanizam za zatvaranje ne učvrsti.

Spremnik za deterdžent automatski se otvara u odgovarajućem trenutku ovisno o programu.

Upotreba deterdženta koji nije namijenjen perilicama posuđa može prouzročiti nepravilnosti ili oštećenje uređaja.

TABLICA PROGRAMA

Program	Faza sušenja	Trajanje programa pranja (h:min) ^{*)}	Potrošnja vode (litara po ciklusu)	Potrošnja energije (kWh po ciklusu)	
1 Eko	ECO 50°	✓	4:00	11,5	0,78
2 Intenzivno	 65°	✓	2:30	15,0	1,50
3 Mješovito	 55°	✓	2:25	15,0	1,35
4 Brzo 40'	 45°	-	0:40	8,0	0,90
5 Pola punjenja	 1/2 50°	✓	1:15	11,0	0,90
6 Namakanje	 -	-	0:10	4,0	0,01

Podaci EKO programa izmjereni su u laboratorijskim uvjetima u skladu s europskom normom EN 60436:2020.

Napomena za pokusne laboratorije: detaljne informacije o uvjetima za komparativni pokus EN zatražite na adresi: dw_test_support@whirlpool.com

Prije primjene bilo kojeg programa nije potrebno obraditi posuđe.

*) Vrijednosti navedene za programe, osim programa Eko, služe isključivo kao informacija. Stvarno vrijeme može se razlikovati ovisno o brojnim čimbenicima kao što su temperatura i tlak ulazne vode, sobna temperatura, količina deterdženta, količina i vrsta punjenja, ravnoteža punjenja, dodatne odabrane opcije i baždarenje senzora. Baždarenje senzora može povećati trajanje programa do 20 min.

OPIS PROGRAMA

Upute za odabir ciklusa pranja.

1 EKO

Program Eko prikladan je za uobičajeno prljavo posuđe i pri takvoj je upotrebi to najučinkovitiji program po pitanju ukupne potrošnje vode i energije i upotrebljava se za procjenu usklađenosti s propisima EU o ekološkom načinu izrade.

2 INTENZIVNO

Preporučeni program za jako prljavo posuđe, posebno pogodan za tave i tave za umake (ne upotrebljavati za osjetljivo posuđe).

3 MJEŠOVITO

Mješovito zaprljanje. Za uobičajeno prljavo posuđe s ostacima sasušene hrane.

4 BRZO 40'

Program koji se treba upotrebljavati pola punjenja malo zaprljanog posuđa bez osušenih ostataka hrane. Nema faze sušenja.

5 POLA PUNJENJA

Idealno za pranje pola punjenja malo ili uobičajeno prljavog posuđa.

6 NAMAKANJE

Upotrebljava se za osvježavanje posuđa koje će se prati kasnije. S ovim programom ne upotrebljava se deterdžent.

Napomene:

Napominjemo da je ciklus Brzo 40' namijenjen isključivo malo zaprljanom posuđu.

OPCIJE I FUNKCIJE

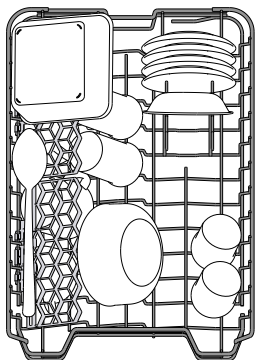
SPUŠTANJE VODE

Za zaustavljanje ili poništavanje aktivnog ciklusa možete upotrijebiti funkciju ISPUŠTANJE VODE.

Dugo pritisnite gumb START/PAUZA, uključit će se funkcija ISPUŠTANJE VODE. Aktivni program će se zaustaviti i ispustit će se voda iz perilice suđa.

PUNJENJE KOŠARA

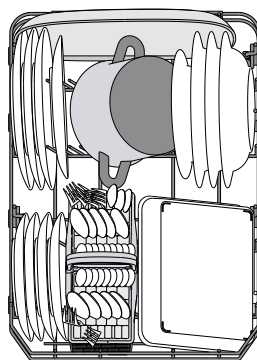
GORNJA KOŠARA



(primjer punjenja za gornju košaru)

Punite je osjetljivim, laganim suđem: čašama, šalicama, posudama za umake i laganim zdjelama za salatu.

DONJA KOŠARA



(primjer punjenja za donju košaru)

Za lonce, tave, tanjure, zdjele za salatu, pribor za jelo itd. Velike tanjure i poklopce idealno bi bilo postaviti sa strane kako bi se izbjeglo da ometaju nosače mlaznica.

PODEŠAVANJE GORNJE KOŠARE PO VISINI

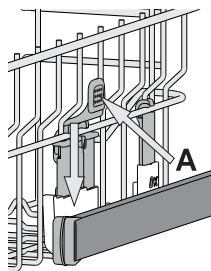
Visina gornje košare može se podesiti: visoki položaj za postavljanje glomaznog suđa u donju košaru i niski položaj za potpuno iskorištavanje potporna za postavljanje stvaranjem više mjesta u gornjem dijelu i izbjegavanje udaraca s predmetima u donjoj košari.

Gornja je košara opremljena **mehanizmom za podešavanje gornje košare po visini** (pogledajte sliku) i bez pritiska na ručice podignite je tako da smo uhvatite stranice košare čim je košara stabilna u svom gornjem položaju.

Za ponovno postavljanje u donji položaj pritisnite ručice **A** na stranicama košare i pomaknite je prema dolje.

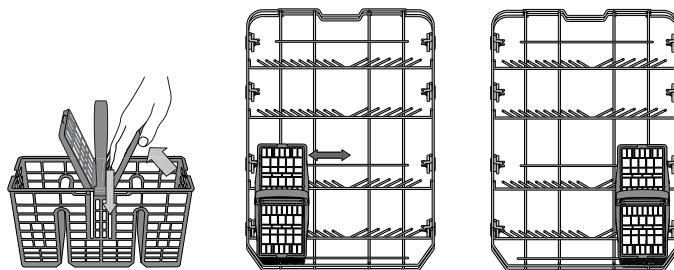
Preporučujemo da podešavanje po visini ne obavljate s punom košarom.

Košaru NIKADA ne podižite ili spuštajte samo na jednoj strani.



KOŠARA ZA PRIBOR ZA JELO

Opremljena je gornjom rešetkom za bolje slagane pribora za jelo. Mora se postaviti isključivo na prednji dio donje košare.



Noževi i ostali pribor trebaju se postaviti u košaru pribora za jelo s vrhom okrenutim prema dolje ili se moraju staviti vodoravno u spremnike s potpurnjem u gornjoj košari.

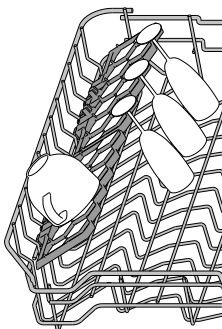
POMIČNI PREKLOPI S PODESIVIM POLOŽAJEM

Bočni pomični preklopi mogu se sklopiti ili rasklopiti da bi se poboljšalo slaganje posuđa u košaru.

Čaše za vino mogu se sigurno postaviti u pomične preklope tako da se nožica svake čaše umetne u odgovarajući otvor.

Ovisno o modelu:

- preklope sklopite tako da ih skliznete i okrenete ili ih otpustite iz utora i izvučete.
- preklope rasklopite tako da ih okrenete i klizno pomaknete prema dolje ili podignete i preklope pričvrstite na uture.



SVAKODNEVNA UPOTREBA

1. PROVJERA PRIKLJUČKA ZA VODU

Provjerite je li perilica suđa spojena na dovod vode i je li otvorena slavina.

2. UKLJUČIVANJE PERILICE SUĐA

Pritisnite gumb za **uključivanje/isključivanje**.

3. PUNJENJE KOŠARA

(pogledajte PUNJENJE KOŠARA)

4. PUNJENJE SPREMNIKA ZA DETERDŽENT

5. ODABIR PROGRAMA I PRILAGOĐAVANJE CIKLUSA

Odaberite najprikladniji program prema vrsti posuđa i razini zaprljanja (pogledajte OPIS PROGRAMA) tako da **gumb ODABIR PROGRAMA** okrenete u smjeru kazaljke na satu.

6. POKRETANJE

Ciklus pranja pokrenite pritiskom na gumb **START/PAUZA**.

7. KRAJ CIKLUSA PRANJA

Kraj ciklusa pranja označen je uključeno je **LED svjetlo za uključivanje/isključivanje**. Uređaj isključite tako da pritisnete gumb za **uključivanje/isključivanje** i otvorite vrata.

Pričekajte nekoliko minuta prije vađenja posuđa kako biste izbjegli opekotine.

Ispraznite košare, započevajući s donjom košarom.

Stroj će se automatski isključiti tijekom produženog razdoblja neaktivnosti kako bi se smanjila potrošnja struje.

Ako je posuđe samo malo prljavo ili ako ga ispirate prije stavljanja u perilicu posuđa, u skladu s tim smanjite količinu deterdženta.

IZMJENA PROGRAMA RADA

Ako odaberete pogrešan program, možete ga promijeniti pod uvjetom da je tek započeo: pritisnite i držite gumb za **uključivanje/isključivanje**, stroj će se isključiti.

Ponovno uključite stroj pomoću gumba za **uključivanje/isključivanje** i odaberite novi ciklus pranja i sve željene opcije; ciklus pokrenite pritiskom na gumb **START/PAUZA**.

DODAVANJE DODATNOG SUĐA

Ne isključujući stroj otvorite vrata (**pazite na VRUĆU paru!**) i stavite suđe u perilicu suđa. Zatvorite vrata i pritisnite gumb **START/PAUZA**, ciklus će započeti od mjesta na kojem je prekinut.

SLUČAJNI PREKIDI

Ako se tijekom ciklusa pranja vrata otvore ili ako je došlo do nestanka struje, ciklus se zaustavlja. Kada se vrata zatvore ili se obnovi dovod struje, za ponovno pokretanje ciklusa od točke prekida, pritisnite gumb **START/PAUZA**.

SAVJETI

SAVJETI

Prije punjenja košara uklonite sve ostatke hrane s posuđa i ispraznite čaše. **Ne morate ih ispirati tekućom vodom.**

Posuđe složite tako da čvrsto stoji i ne prevrće se; spremnike složite tako da su otvori okrenuti prema dolje, a konkavni/konveksni dijelovi ukošeni kako bi se omogućilo da voda dođe do svih površina i slobodno protiče.

Upozorenje: poklopci, ručke, pladnjevi i tave ne sprječavaju okretanje nosača mlaznica.

Sitne predmete stavite u košare za pribor za jelo.

Vrlo prljavo suđe i tave treba staviti u donju košaru jer je u tom dijelu jači mlaz vode i omogućuje se bolja učinkovitost pranja.

Nakon punjenja uređaja provjerite mogu li se nosači mlaznica slobodno okretati.

NEPRIKLADNO SUĐE

- Drveno suđe i pribor za jelo.
- Osjetljive ukrašene čaše, umjetnički predmeti i antičko suđe. Njihovi ukrasi nisu otporni.
- Dijelovi od sintetičkog materija koji ne podnose visoke temperature.
- Suđe od bakra i lima.
- Suđe zaprljano pepelom, voskom, mazivima ili tintom.

Boje ukrasa na čašama i aluminijski/srebrni dijelovi mogu se promijeniti i izbljediti tijekom postupka pranja. Neke vrste čaša (npr. kristali predmeti) mogu se postati neprozirni nakon određenog broja ciklusa pranja.

OŠTEĆENJE ČAŠA I SUĐA

- Upotrebljavajte samo čaše i porculansko suđe za koje proizvođač jamči da se može prati u perilici suđa.
- Upotrebljavajte deterdžent za osjetljivo posuđe prikladan za posuđe
- Čaše i pribor za jelo izvadite iz perilice suđa čim ciklus pranja završi.

SAVJETI ZA UŠTEDU ENERGIJE

- Kada se perilica posuđa u domaćinstvu upotrebljava u skladu s uputama proizvođača **pranjem posuđa u perilici posuđa obično se troši MANJE ENERGIJE i vode nego prilikom ručnog pranja.**
- Preporučujemo da povećate učinkovitost perilice posuđa tako da **ciklus pranja pokrećete tek kada je perilica posuđa do kraja napunjena.** Kada perilicu posuđa punite do kapaciteta koji je naveo proizvođač, pridonosite uštedi energije i vode. Podatke o pravilnom punjenju posuđa možete pronaći u poglavlju PUNJENJE KOŠARA. U slučaju da je perilica djelimično napunjena, preporučuje se da upotrebljavate posebne opcije pranja, ako su dostupne (Half load/ Zone Wash/ Multizone) i punite samo odabrane košare. Nepravilno punjenje ili pretjerano punjenje može povećati upotrebu resursa (kao što su voda, energija i vrijeme te povećati razinu buke) i smanjiti učinkovitost pranja i sušenja.
- Ručno ispiranje posuđa dovodi do veće potrošnje vode i energije te se ne preporučuje.

HIGIJENSKI PROGRAM

Kako bi se izbjegla pojava neugodnih mirisa i taloga koji se može nakupiti u perilici suđa, **program s visokom temperaturom pokrećete najmanje jednom mjesečno.** Upotrijebite čajnu žlicu deterdženta i pokrenite perilicu bez punjenja kako biste očistili uređaj.

ČIŠĆENJE I ODRŽAVANJE

ČIŠĆENJE SKLOPA FILTRA

Redovito čistite sklop filtra tako da se filtri ne začepi i da otpadna voda ispravno istječe.

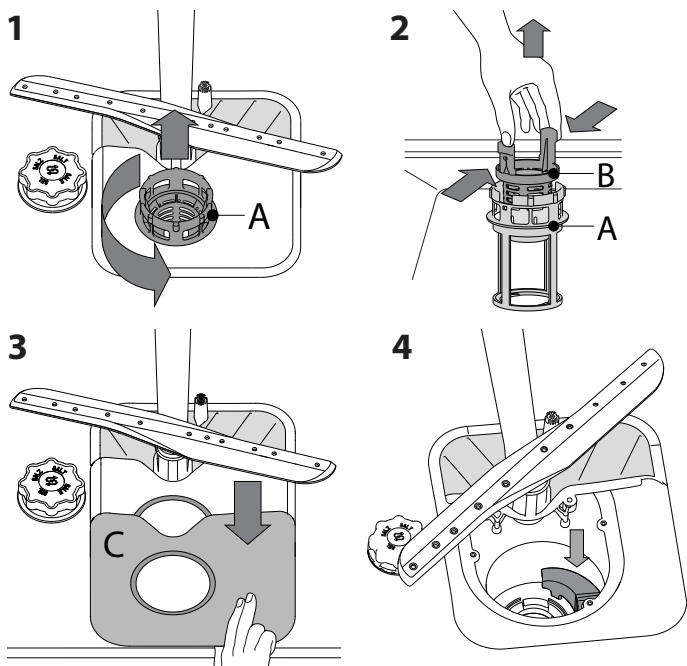
Upotreba perilice posuđe sa začepljenim filtrima ili stranim predmetima u sustavu filtriranja ili prskalicama može prouzročiti neispravnosti koje dovode do gubitka učinkovitosti, veće buke u radu ili veće potrošnje energenata.

Sklop filtra sastoji se od tri filtra koji uklanjaju ostatke hrane iz vode za pranje i zatim ponovno pokreću kruženje vode: za najbolje rezultate pranja održavajte ih čistim.

Perilica suđa ne smije se upotrebljavati bez filtera ili s otpuštenim filtrom.

Najmanje jednom mjesečno ili nakon svakih 30 ciklusa pranja provjerite sklop filtra i po potrebi ga temeljito očistite tekućom vodom upotrebljavajući četku koja nije od metala i prema uputama u nastavku:

1. Cilindrični filter **A** okrenite u smjeru suprotnom od smjera kazaljke na satu i izvucite ga (sl. 1).
2. Skinite filter šalicu **B** tako da lagano pritisnete bočna krilca (sl. 2).
3. Klizno izvadite pločasti filter od nehrđajućeg čelika **C** (sl. 3).
4. Ako pronađete strane predmete (npr. razbijeno staklo, porculan, kosti, sjemenke voća itd.), **pažljivo ih uklonite**.
5. Pregledajte otvor i uklonite sve ostatke hrane. **NIKADA NE SKIDAJTE** štitnik pumpe ciklusa pranja (crni detalj) (sl. 4).



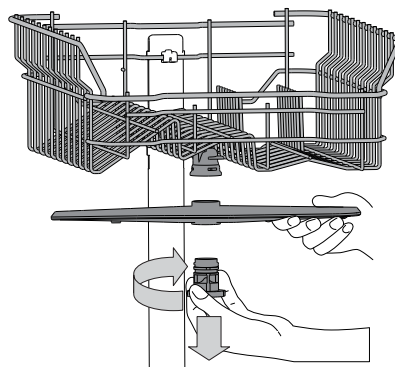
Nakon čišćenja filtera vratite sklop filtra i pravilno ga učvrstite na mjesto; to je važno za održavanje učinkovitog rada perilice suđa.

ČIŠĆENJE ULAZNOG CRIJEVA ZA VODU

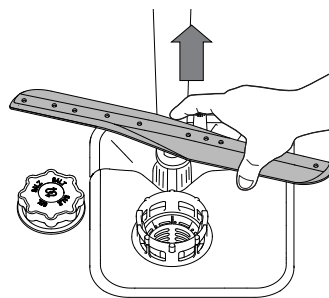
Ako su crijeva za vodu nova ili se dulje vrijeme nisu upotrebljavala pustite da kroz njih prođe voda kako biste bili sigurni da nema nečistoća prije obavljanja potrebnih priključivanja. Ako se ne pridržavate te mjera opreza, može se dogoditi da je blokiran ulaz vode u da se perilica suđa ošteti.

ČIŠĆENJE NOSAČA MLAZNICA

Povremeno, ostaci hrane mogu se skoriti na nosačima mlaznica i blokirati otvore za raspršivanje vode. Zbog toga se preporučuje da povremeno provjerite nosače i očistite ih malom četkicom koja nije metalna.



Gornji krak mlaznice skinite tako da okrenete plastični prsten za završavanje u smjeru kazaljke na satu. Gornji nosač mlaznice treba se zamijeniti tako da je strana s većim brojem otvora okrenuta prema gore.



Donji krak mlaznice može se skinuti tako da se povuče prema gore.

SUSTAV OMEKŠAVANJA VODE

Omekšivač vode automatski smanjuje tvrdoću vode čime se posljedično smanjuje nakupljanje kamenca na grijaču i pridonosi većoj učinkovitosti pranja.

Ovaj se sustav sam obnavlja pomoću soli pa zato spremnik soli treba napuniti kada je prazan.

Učestalost obnavljanja ovisi o postavci razine tvrdoće vode – obnavljanje se odvija jednom na svakih 5 Eko ciklusa s razinom tvrdoće vode postavljenom na 3.

Postupak obnavljanja započinje u fazi završnog ispiranja i završava u fazi sušenja, prije završetka ciklusa.

- Potrošnja jednog ciklusa obnavljanja: ~3,5 l vode;
- Ciklus traje 5 minuta dulje;
- Troši manje od 0,005 kWh struje.

RJEŠAVANJE PROBLEMA

Ako vaša perilica posuđa ne radi ispravno, provjerite može li se problem riješiti prateći popis u nastavku. U slučaju pojave drugih grešaka ili problema obratite se ovlaštenom postprodajnom servisu čije podatke za kontakt možete pronaći u knjižici jamstva. Rezervni dijelovi bit će dostupni u razdoblju narednih 7 ili 10 godina, ovisno o posebnim zakonskim propisima.

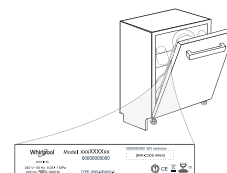
PROBLEMI	MOGUĆI UZROCI	RJEŠENJA
Perilica suđa se ne pokreće ili ne odgovara na komande.	Uređaj nije ispravno priključen.	Uključite utikač u električnu utičnicu.
	Nestanak struje.	Perilica posuđa se iz sigurnosnih razloga neće automatski pokrenuti nakon povratka struje. Pritisnite gumb START/Pauza kako biste ponovno pokrenuli ciklus.
	Vrata perilice posuđa nisu zatvorena.	Vrata čvrsto zatvorite tako da začujete "klik".
	Ciklus se prekida ako su vrata otvorena > 4 sek.	Zatvorite vrata i pritisnite gumb START/Pauza.
Perilica suđa ne ispušta vodu.	Ne odgovara na komande.	Uređaj isključite pritiskom na gumb UKLJUČIVANJE/ISKLUČIVANJE pa ga nakon otprilike jedne minute ponovno uključite i ponovno pokrenite program. Ako se problem i dalje javlja, uređaj iskopčajte na 1 minutu, zatim ga ponovno ukopčajte.
	Ciklus pranja još nije završio.	Pričekajte da ciklus pranja završi.
	Ovodno crijevo je savijeno.	Provjerite da crijevo za pražnjenje nije savijeno (<i>pogledajte UPUTE ZA POSTAVLJANJE</i>).
	Crijevo za pražnjenje izljeva je blokirano.	Očistite crijevo za pražnjenje izljeva.
Perilica suđa stvara preveliku buku.	Filtar je začepljen ostacima hrane	Čišćenje filtra (<i>pogledajte ČIŠĆENJE SKLOPA FILTRA</i>).
	Suđe se međusobno udara.	Pravilno složite suđe (<i>pogledajte PUNJENJE KOŠARA</i>).
Suđe nije čisto.	Došlo je do stvaranja prevelike količine pjene.	Deterdžent nije pravilno izmjeren ili nije prikladan za upotrebu u perilici suđa (<i>pogledajte PUNJENJE DOZATORA ZA DETERDŽENT</i>). Ponovno pokrenite trenutni ciklus pritiskom na gumb ISPUŠTANJE VODE (<i>pogledajte OPCIJE I FUNKCIJE</i>) i pokrenite novi program bez deterdženta.
	Suđe nije ispravno složeno.	Pravilno složite suđe (<i>pogledajte PUNJENJE KOŠARA</i>).
	Nosači mlaznica ne mogu se slobodno okretati jer ih ometa suđe.	Pravilno složite suđe (<i>pogledajte PUNJENJE KOŠARA</i>).
	Ciklus pranja je prenježan.	Odaberite odgovarajući ciklus pranja (<i>pogledajte TABLICU PROGRAMA</i>).
	Došlo je do stvaranja prevelike količine pjene.	Deterdžent nije pravilno izmjeren ili nije prikladan za upotrebu u perilici suđa (<i>pogledajte PUNJENJE DOZATORA ZA DETERDŽENT</i>).
	Čep na spremniku sredstva za ispiranje nije pravilno zatvoren.	Provjerite je li čep spremnika za ispiranje zatvoren.
	Filtar je prljav ili začepljen.	Očistite sklop filtra (<i>pogledajte ČIŠĆENJE I ODRŽAVANJE</i>).
Perilica posuđa ne puni se vodom. Svi LED-i brzo trepere.	Nema soli.	Napunite spremnik soli (<i>pogledajte PUNJENJE I SPREMNIK SOLI</i>).
	Nema vode u dovodu vode ili je slavina zatvorena.	Provjerite ima li vode u dovodu vode ili radi li slavina.
	Dovodno crijevo je savijeno.	Provjerite da dovodno crijevo nije savijeno (<i>pogledajte INSTALACIJA</i>), ponovno programirajte perilicu posuđa i ponovno pokrenite.
Perilica posuđa prerano završava ciklus.	Siťo na dovodnom crijevu vode je začepljeno; treba ga očistiti.	Nakon provjere i čišćenja isključite i uključite perilicu posuđa i pokrenite novi program.
	Ovodno je crijevo prenisko postavljeno ili se izljeva u kanalizaciju.	Provjerite je li kraj odvodnog crijeva na ispravnoj visini (<i>pogledajte INSTALACIJA</i>). Provjerite izljev u kanalizaciju, ugradite, prema potrebi, ventil za ulaz zraka.
	Zrak u dovodu vode.	Provjerite da na dovodu vode nema propuštanja ili drugih problema koji omogućuju ulaz zraka.



Pravila, standardne dokumente, naručivanje rezervnih dijelova i dodatne informacije o proizvodu možete pronaći tako:

- Posjetite naše web.mjesto **docs.indesit.eu** i **parts-selfservice.whirlpool.com**
- Upotrebom QR koda
- Možete i **kontaktirati naš postprodajni servis** (broj telefona potražite u knjižici jamstva). Kada se obraćate našem postprodajnom servisu navedite kodove navedene na identifikacijskoj pločici proizvoda.

Informacije o modelu mogu se dobiti pomoću QR koda koji se nalazi na oznaci energetske učinkovitosti. Na oznaci se nalazi i identifikacijska oznaka modela koji se može upotrijebiti za pregledavanje portala registra na <https://eprel.ec.europa.eu>.



MINDENNAPI HASZNÁLATI ÚTMUTATÓ



KÖSZÖNJÜK, HOGY A INDESIT TERMÉKÉT VÁLASZTotta!

Teljes körű támogatásért kérjük, regisztrálja termékét honlapunkon: www.indesit.com/register

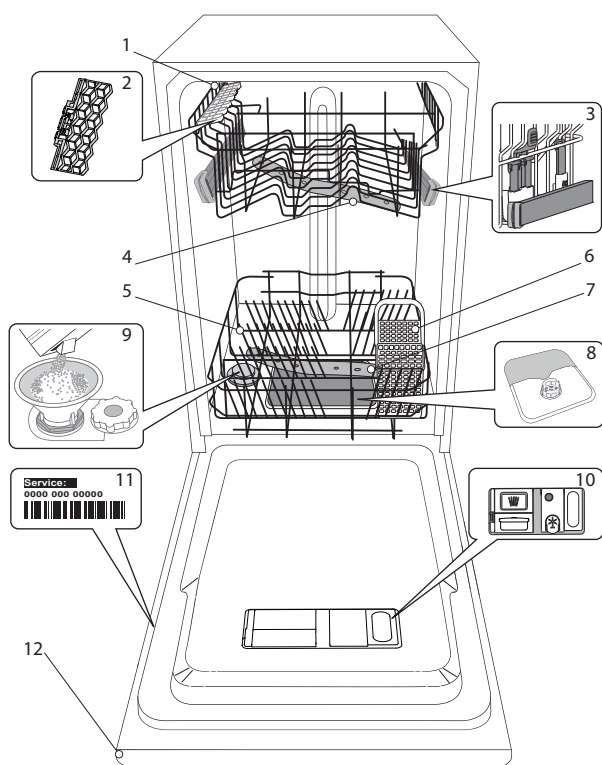
**A RÉSZLETESEBB
INFORMÁCIÓKÉRT KÉRJÜK,
SZKENNELJE BE A KÉSZÜLÉKEN
TALÁLHATÓ QR KÓDOT**



⚠ A készülék használata előtt olvassa el figyelmesen a Biztonsági útmutatót.

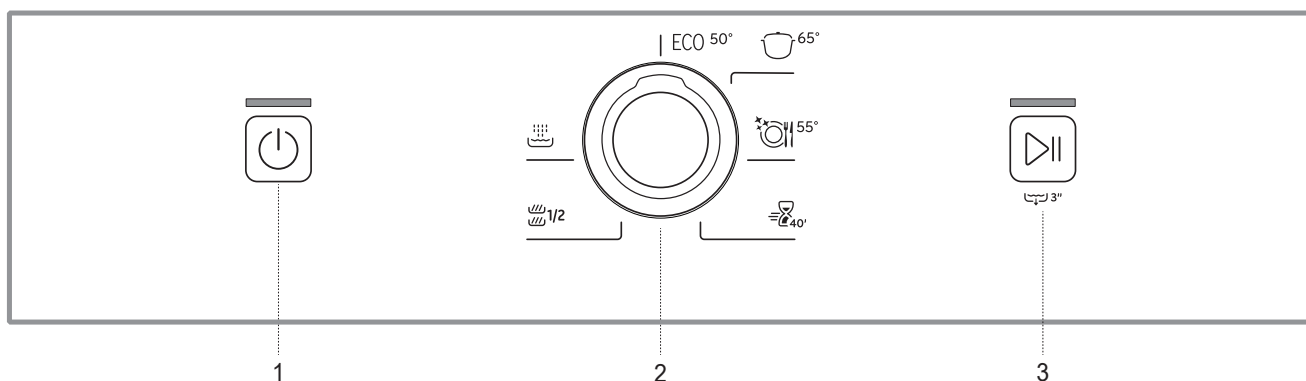
A TERMÉK BEMUTATÁSA

KÉSZÜLÉK



1. Felső kosár
2. Lehajtható polcok
3. Felső kosár magasságbeállítója
4. Felső permetezőkar
5. Alsó kosár
6. Evőeszközkosár
7. Alsó permetezőkar
8. Szűrőegység
9. Sótartály
10. Mosogatószer- és öblítőszer-adagoló
11. Adattábla
12. Kezelőpanel

KEZELŐPANEL



1. Be/Ki/Újrarendítés gomb és jelzőfény
2. Programválasztó gomb
3. Start/Szünet gomb és jelzőfény / Leeresztés

ELSŐ HASZNÁLAT SÓ, ÖBLÍTŐSZER ÉS MOSOGATÓSZER

TANÁCSOK AZ ELSŐ HASZNÁLATHOZ

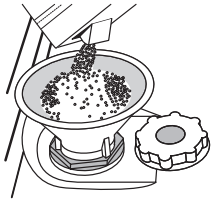
Az üzembe helyezés után távolítsa el az ütközőket a kosarakról és a rugalmas rögzítőelemeket a felső kosárról.

A SÓTARTÁLY FELTÖLTÉSE

Só használatával elkerülhető, hogy VÍZKŐ képződjön az edényeken és a gép funkcionális alkatrészein.

- Feltétlenül szükséges, hogy a **SÓTARTÁLY SOHA NE LEGYEN ÜRES.**
- Fontos, hogy a vízkeménység be legyen állítva.

A sótartály a mosogatógép alján található (lásd: *TERMÉK BEMUTATÁSA*). Ha a tartály kupakján lévő zöld jelzés nem látható, a sótartályt fel kell tölteni.



1. Vegye ki az alsó kosarat, és csavarja ki a tartály kupakját (az óramutató járásával ellentétes irányba).
2. **Csak a legelső használatkor: töltsse fel vízzel a sótartályt!**
3. Helyezze be a tölcsejt (lásd az ábrát), és töltsse fel teljesen a sótartályt (ehhez kb. 1 kg só szükséges). Előfordulhat, hogy egy kevés víz kifolyik a rekeszből.
4. Vegye ki a tölcsejt, és törölje le az esetlegesen kiszóródott sót a nyílás környékéről.

Zárja vissza szorosan a kupakot úgy, hogy a mosogatási program során ne kerülhessen mosogatószer a tartályba (ellenkező esetben a vízlágyító helyrehozhatatlanul károsodhat).

Ha esedékes a só hozzáadása, mindenképpen el kell végezni az eljárást a mosogatási ciklus megkezdése előtt a korrózió elkerülése érdekében.

A VÍZKEMÉNYSÉG BEÁLLÍTÁSA

A vízlágyító akkor működik tökéletesen, ha a vízkeménységet a lakóhelyén elérhető víz tényleges keménysége alapján állítja be. Ezzel kapcsolatban érdeklődjön a helyi vízműveknél.

A gyár beállítja a vízkeménység alapértelmezett értékét.

- Kapcsolja be a készüléket a **BE/KI** gombbal.
- Kapcsolja ki a készüléket a **BE/KI** gombbal.
- Nyomja meg és tartsa lenyomva a **START/SZÜNET** gombot 5 másodpercig.
- Kapcsolja be a készüléket a **BE/KI** gombbal.
- A **BE/KI LED** annyiszor villan fel, ahányas szintre beállította a víz keménységét.
- Állítsa be a kívánt vízkeménységi szintet a **PROGRAMVÁLASZTÓ gombbal** (lásd *VÍZKEMÉNYSÉGI TÁBLÁZAT*).

Víz keménységi táblázat					
Szint		°dH Német rendszer	°fH Francia rendszer	°Clark Angol rendszer	
1	ECO Lágý	0 - 6	0 - 10	0 - 7	
2	Közepes	7 - 11	11 - 20	8 - 14	
3	Átlagos	12 - 16	21 - 29	15 - 20	
4	Kemény	17 - 34	30 - 60	21 - 42	
5	Nagyon kemény	35 - 50	61 - 90	43 - 62	

- Kapcsolja ki a készüléket a **BE/KI** gombbal.

A beállítás megtörtént.

Ezután edények nélkül futtasson le egy programot.

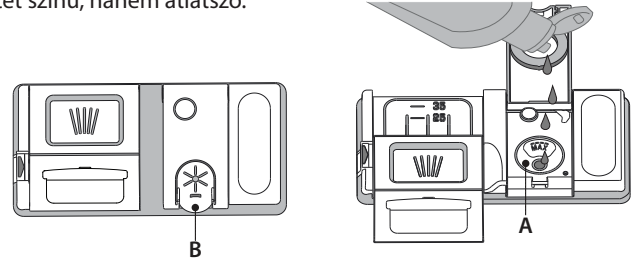
Kizárólag mosogatógépekhez készült só használjon.

Ha nem tölti fel a sótartályt, a vízlágyító és a fűtőelem a vízkő felhalmozódása miatt károsodhat.

Só használata bármilyen mosogatószer mellett ajánlott.

AZ ÖBLÍTŐSZER-ADAGOLÓ FELTÖLTÉSE

Az öblítőszerezrel könnyebben SZÁRADNAK az edények. Az **A** öblítőszerez adagolót akkor kell feltölteni, ha az adagoló fedelén **C** lévő nyílás nem sötét színű, hanem átlátszó.



1. Nyissa ki az adagolót **B** úgy, hogy a fedélén lévő fület lenyomja, majd felfelé húzza.
2. Óvatosan öntse be az öblítőszert. Ne lépje túl a tartályban jelölt maximális mennyiséget (110 ml), és ne öntse ki a folyadékot. Ha ez mégis megtörténik, azonnal törölje fel a kiömlött folyadékot egy száraz ruhával.
3. Csukja vissza a fedelet: ehhez nyomja le, amíg kattanás nem hallatszik. **SOHA ne öntse az öblítőszert közvetlenül a mosogatótérbe.**

AZ ÖBLÍTŐSZER ADAGOLÁSA

Ha nem elégedett a szárítási eredménnyel, módosítsa a használt öblítőszerez mennyiségét.

- Kapcsolja be a mosogatógépet a **BE/KI** gombbal.
- Kapcsolja ki a készüléket a **BE/KI** gombbal.
- Nyomja meg háromszor a **START/SZÜNET** gombot.
- Kapcsolja be a készüléket a **BE/KI** gombbal.
- Az **START/SZÜNET LED** annyiszor villan fel, ahányas szintre beállította az adagolást.
- Állítsa be az öblítő adagolási szintjét a **PROGRAMVÁLASZTÓ gombbal** (lásd *PROGRAMTÁBLÁZAT*).
- Kapcsolja ki a készüléket a **BE/KI** gombbal.

A beállítás megtörtént.

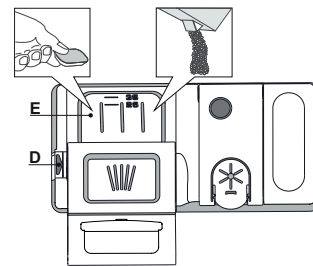
Ha az öblítőszerez szintjét 1 állítja (ÖKO), a készülék nem adagol öblítőszerez.

A mosogatógép típusától függően legfeljebb 5 szint állítható be. A gyári beállítás a modelltől függ – az adott készüléken történő meghatározáshoz kövesse a fenti utasításokat.

- Ha kékes csíkok jelennek meg az edényeken, alacsony értéket állítson be (2-3).
- Ha vízcseppek vagy vízkő látható az edényeken, magas értéket állítson be (4-5).

A MOSOGATÓSZER-ADAGOLÓ FELTÖLTÉSE

A mosogatószerez adagoló nyitásához használja az **D eszközt. A mosogatószerez kizárólag a száraz **E** adagolóba önthető. Az előmosogatáshoz használt mosogatószerez közvetlenül a mosogatótérbe helyezze.**



1. A mosogatószerez kimérésekor a helyes mennyiség meghatározását az eddigi információk alapján végezze. A mosogatószerez adagoló (**E**) belsejében elhelyezett jelzések segítenek a megfelelő mennyiség meghatározásában.
2. Törölje le a kiömlött mosogatószerez az adagoló széléről, majd zárja vissza a fedelet kattanásig.
3. Zárja vissza a mosogatószerez adagoló fedelét: húzza felfelé, amíg a zár szerkezet rögzül.

A mosogatószerez adagoló automatikusan kinyílik, amikor a program az adott szakaszba ér.

A nem mosogatógéphez készült mosogatószerez használata a készülék hibás működését vagy sérülését okozhatja.

PROGRAMTÁBLÁZAT

Program	Szárítási fázis	A mosogatási program időtartama (óra:perc) ^{*)}	Vízfogyasztás (liter/ciklus)	Energiafogyasztás (kWh/ciklus)
1 Öko	ECO 50°	4:00	11,5	0,78
2 Intenzív	65°	2:30	15,0	1,50
3 Vegyes	55°	2:25	15,0	1,35
4 Gyors 40'	45°	0:40	8,0	0,90
5 Félöltet	50°	1:15	11,0	0,90
6 Áztatás	-	0:10	4,0	0,01

Az ÖKO program adatainak mérése laboratóriumi körülmények között, az EN 60436:2020 európai szabvány előírásainak megfelelően történt.

Megjegyzés a vizsgáló laboratóriumok számára: az EN összehasonlító vizsgálatainak körülményeivel kapcsolatos információkért írjon a következő címre: dwt_test_support@whirlpool.com

Az edények előkezelése egyik programnál sem szükséges.

*) Az energiatakarékos programtól eltérő programokhoz megadott értékek csak tájékoztató jellegűek. A tényleges időtartam számos tényezőtől függ, mint például a belépő víz hőmérsékletétől és nyomásától, a helyiség hőmérsékletétől, a mosogatószer mennyiségétől, az edények mennyiségétől és típusától, a súlyelosztástól, a kiválasztott kiegészítő funkcióktól és az érzékelő kalibrációjától. Az érzékelő kalibrációja akár 20 perccel is növelheti a program hosszát.

A PROGRAMOK BEMUTATÁSA

Utasítások a mosogatási ciklus kiválasztásához.

1 ÖKO

Az energiatakarékos programmal átlagosan szennyezett edényeket tisztíthat, amely a kombinált energia- és vízfogyasztása miatt a leghatékonyabb program, és a segítségével kiértékelhető, hogy a készülék megfelel-e az EU energiatakarékos kivitelre vonatkozó jogszabályának.

2 INTENZÍV

Erősen szennyezett edényekhez ajánlott program, amely különösen serpenyőkhöz és sütőedényekhez ideális (kényes edényekhez nem használható)

3 VEGYES

Különbéle szennyeződésekhez. Normál szennyezettségű edényekhez, melyeken rászáradt ételmaradék található.

4 GYORS 40'

Program fél töltet enyhén szennyezett edényhez, amelyen nincs rászáradt ételmaradék. Nem rendelkezik szárítási szakasszal.

5 FÉLTÖLTET

Ideális fél töltet enyhén vagy mérsékelt szennyezett edények mosogatására.

6 ÁZTATÁS

Az edények frissítéséhez, amennyiben azokat később szeretné elmosogatni. Ehhez a programhoz nem kell mosogatószert használni.

Megjegyzések:

Vegye figyelembe, hogy a Gyors 40' program enyhén szennyezett edényekhez használható.

OPCIÓK ÉS FUNKCIÓK

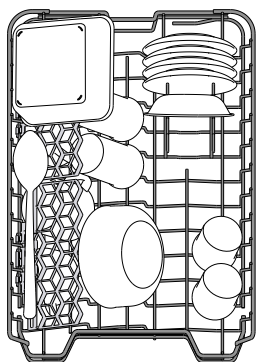
LEERESZTÉS

A folyamatban lévő ciklus leállításához és törléséhez használja a Leeresztés funkciót.

Nyomja meg hosszan a START/SZÜNET gombot, ekkor bekapcsol a LEERESZTÉS funkció. A folyamatban lévő program leáll, és a rendszer leereszti a mosogatógépben lévő vizet.

A KOSARAK MEGTÖLTÉSE

FELSŐ KOSÁR



Ide helyezhetők a kényesebb és könnyű edények, például poharak, csészék, tálkák, kis salátástálak.

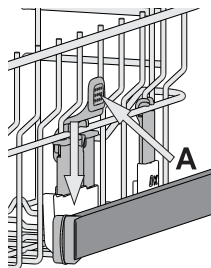
(Példa a megtöltött felső kosárra.)

A FELSŐ KOSÁR MAGASSÁGÁNAK BEÁLLÍTÁSA

A felső kosár magassága állítható. Ha a felső állásba állítja, az alsó kosárba nagyobb edények helyezhetők; ha az alsó állásba állítja, maximálisan kihasználhatók a lehajtható rögzítőelemek: függőlegesen több hely áll rendelkezésre, és az alsó kosárba pakolt edényeknek is elegendő hely jut.

A **felső kosár magasságbeállítóval** rendelkezik (lásd az ábrát). Magasabbra állításához fogja meg a kosár két oldalát, és az emelőkarok megnyomása nélkül emelje azt feljebb. A kosár a felső helyzetbe áll.

Az alsó helyzetbe állításához nyomja meg a kosár két oldalán lévő emelőkarokat **A**, és tolja lefelé a kosarat.



Kifejezetten javasoljuk, hogy ne módosítsa a kosár magasságát akkor, amikor a kosárban edények találhatók.

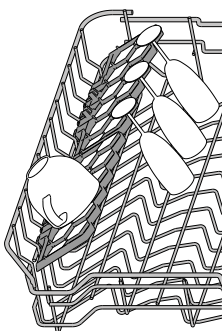
A kosár lejjebb vagy feljebb helyezésekor SOHA ne csak az egyik oldal magasságát módosítsa.

ÁLLÍTHATÓ MAGASSÁGÚ LEHAJTHATÓ POLCOK

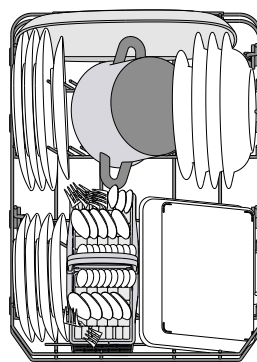
A kosárban lévő edények optimális elrendezése érdekében az oldalsó polcok fel- és lehajthatók. A borospoharak biztonságosan helyezhetők a lehajtható polcokra: a poharak talpát illessze a megfelelő nyílásokba.

Készüléktypustól függően:

- a polcok lehajtásához csúsztassa azokat fel és forgassa el, vagy vegye ki a rögzítőkből és húzza lefelé.
- a polcok felhajtásához forgassa azokat el és csúsztassa lefelé, vagy húzza felfelé és rögzítse.



ALSÓ KOSÁR



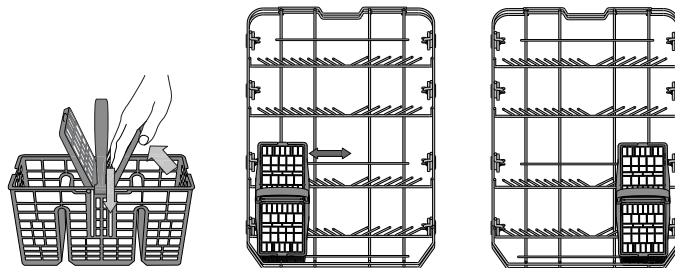
Ide fazekak, fedők, tányérok, salátástálak, evőeszközök stb. pakolhatók. A nagyobb tányérokat és fedőket lehetőség szerint a kosár szélére helyezze, hogy biztosan ne érjenek a szűrőkarokhoz.

(Példa a megtöltött alsó kosárra.)

EVŐESZKÖZKOSÁR

Felső ráccsal rendelkezik, melynek segítségével jobban elrendezhetők az evőeszközök.

Kizárólag az alsó kosár elülső részére helyezhető.



A késeket és egyéb éles eszközöket hegyükkel lefelé rakja az evőeszközkosárba, vagy helyezze azokat vízszintesen a felső kosár lehajtható tartóelemeire.

MINDENNAPI HASZNÁLAT

1. A VÍZCSATLAKOZÁS ELLENŐRZÉSE

Ellenőrizze, hogy a mosogatógép rá van-e kötve a vízhálózatra, és hogy a csap nyitva van-e.

2. A MOSOGATÓGÉP BEKAPCSOLÁSA

Nyomja meg a **BE/KI** gombot.

3. A KOSARAK MEGTÖLTÉSE (lásd: A KOSARAK MEGTÖLTÉSE)

4. A MOSOGATÓSZER-ADAGOLÓ FELTÖLTÉSE

5. A PROGRAM KIVÁLASZTÁSA ÉS A CIKLUS BEÁLLÍTÁSA

A **PROGRAMVÁLASZTÓ** gombot az óramutató járásával meg- egyező irányban elforgatva válassza ki az adott edénytípusoknak és szennyezettségüknek legmegfelelőbb programot (lásd PROGRAMOK LEÍRÁSA). Állítsa be a kívánt opciókat (lásd OPCÍÓK ÉS FUNKCIÓK).

6. INDÍTÁS

Indítsa el a mosogatósi ciklust a **START/SZÜNET** gombbal.

7. A MOSOGATÁSI CIKLUS VÉGE

A mosogatósi ciklus végén **BE/KI LED** kigyullad. Kapcsolja ki a készüléket a **BE/KI** gombbal és nyissa ki az ajtót.

Az égési sérülések elkerülése érdekében az edények kipakolása előtt várjon néhány percet.

Vegye ki az edényeket. Először az alsó kosarat ürítse ki.

Az energiafogyasztás csökkentése érdekében a készülék automa- tikusan kikapcsol, ha bizonyos ideig nem használják.

Ha az edények enyhén szennyezettek, vagy a mosogatógépbe helyezés előtt vízzel leöblítették azokat, használjon kevesebb mo- sogatószert.

FOLYAMATBAN LÉVŐ PROGRAM MÓDOSÍTÁSA

Ha rossz programot választott, röviddel a program indulása után a kiválasztás még módosítható. Nyomja meg és tartsa lenyomva a **BE/KI** gombot, ekkor a gép kikapcsol.

Kapcsolja vissza a mosogatógépet a **BE/KI** gombbal, majd válassza ki az új mosogatósi ciklust és az esetleges opciókat. Indítsa el a ciklust: és nyomja meg a **START/SZÜNET** gombot.

TOVÁBBI EDÉNYEK HOZZÁADÁSA

Anélkül, hogy kikapcsolná a gépet, nyissa ki az ajtót (**vigyázzon, FORRÓ gőz távozhat!**), és helyezze az edényeket a mosogatógépbe. Csukja be az ajtót, és nyomja meg a **START/SZÜNET** gombot. A ciklus onnan folytatódik, ahol korábban megszakította azt.

VÉLETLEN MEGSZAKÍTÁS

Ha a mosogatósi ciklus közben kinyitják az ajtót, vagy elmegy az áram, a ciklus leáll. Miután becsukta az ajtót, illetve helyreállt az áramszolgá- latás, a ciklus folytatásához nyomja meg a **START/SZÜNET** gombot.

TANÁCSOK ÉS TIPPEK

TANÁCSOK

A kosarak megtöltése előtt távolítsa el az ételmaradékokat az edényekről, és ürítse ki a poharakat. **Mosogatás előtt nem szükséges folyó vízzel leöblíteni az edényeket.**

Az edényeket úgy rendezze el, hogy biztosan álljanak, ne dőljenek el könnyen. Az edények nyílása lefelé nézzen, és a homorú/domború részek ferdén álljanak, hogy a víz mindenhova elérjen, és akadálytalanul folyhasson.

Vigyázat! A fedők, fogantyúk, tálak és serpenyők nem állítják meg a forgó szórókarokat.

A kisebb tárgyakat az evőeszközkosárba helyezze. Az erősen szennyezett edényeket az alsó kosárba kell helyezni, mivel ott erősebb a vízpermet, azaz jobb a mosogatósi eredmény. A készülék megtöltése után ellenőrizze, hogy a szórókarok forgását nem akadályozza-e valami.

GÉPBE NEM MOSOGATHATÓ EDÉNYEK

- Fából készült edények és evőeszközök.
- Kényes, díszes poharak, kézműves és antik edények. Ezek a díszítések nem bírják a gépi mosogatóst.
- Szintetikus anyagból készült részek, amelyek nem bírják a magas hőmér- sékletet.
- Réz- és bádgedények.
- Hamuval, viasszal, kenőzsírral vagy tintával szennyezett edények.

A poharakon lévő díszítés és az alumínium- vagy ezüstedények színe megváltozhat, kifakulhat a mosogatósi során. Egyes üvegtípusok (pl. kristályüveg) néhány mosogatósi ciklus után homályossá válhatnak.

A POHARAK ÉS AZ EDÉNYEK KÁROSODÁSA

- A készülékbe kizárólag olyan üveg- és porcelánedények helyezhetők, amelyek a gyártó állítása szerint mosogatógépben mosogathatók.
- Az edényekhez megfelelő, kímélő mosogatószert használjon.
- Az edényeket és az evőeszközöket a mosogatósi ciklus végeztével azo- nal vegye ki a mosogatógépéből.

A POHARAK ÉS AZ EDÉNYEK KÁROSODÁSA

- Ha a háztartási mosogatógépet a gyártó utasításainak megfelelően hasz- nálják, **az edények mosogatógépben történő mosogatása általában KEVESEBB ENERGIÁT és vizet igényel, mint a kézi mosogatás.**
- A mosogatógép hatékonyságának maximalizálásához javasolt **a moso- gatási programot a mosogatógép teljes betöltése után indítani.** Ha a háztartási mosogatógépet a gyártó által jelzett kapacitásig tölti fel, azzal energiát és vizet takaríthat meg. Az edények helyes betöltésével kapcso- latos információt a KOSARAK MEGRAKODÁSA című fejezetben talál. Rész- leges betöltés esetén javasolt a megfelelő mosogatósi beállítást (Fél töltet / Zónamosogatás / Multizone) használni, ha lehetséges, csak a kijelölt kosarakat használva. A mosogatógép helytelen betöltése vagy túltölté- se fokozhatja az erőforrások (például víz, energia és idő) felhasználását, megnövelheti a zajszintet, és csökkentheti a mosogatósi és szárítási tel- jesítményt.
- Az edények manuális előöblítése megnövekedett víz- és energiafogyas- ztást eredményezhet, és nem javasolt.

HIGIÉNYIA

A mosogatógépben keletkező kellemetlen szag és lerakódások elkerülése érdekében legalább havonta egyszer futtasson le egy magas hőmérsékletű programot. Használjon egy teáskanal mosogatószert, és a készülék tisztításához futtassa le a programot edények nélkül.

ÁPOLÁS ÉS KARBANTARTÁS

A SZŰRŐEGYSÉG TISZTÍTÁSA

Rendszeresen tisztítsa ki a szűrőegységet, így megelőzhető a szűrők eltömődése, és a víz szabadon tud távozni.

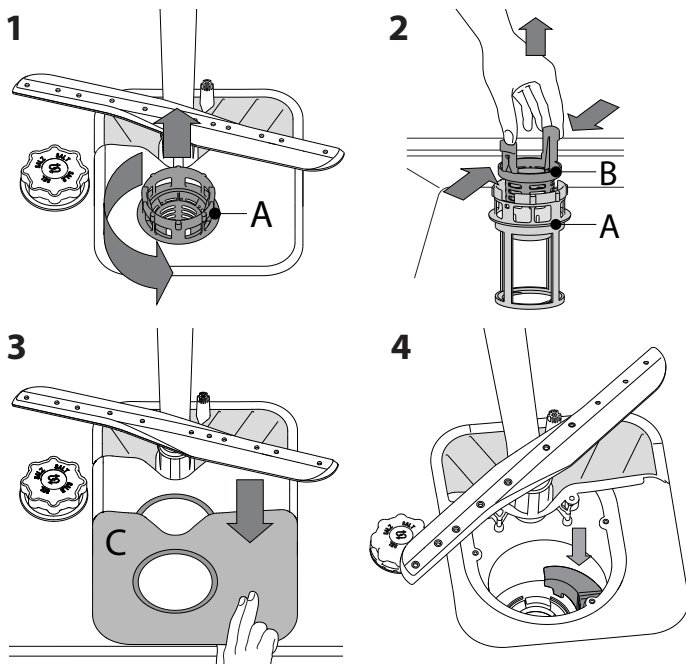
Ha a mosogatógép használata során a szűrők el vannak tömődve, illetve ha a szűrőrendszerben vagy a szórókarokban tárgyak vannak, az a berendezés nem megfelelő működését okozhatja, ami a teljesítmény csökkenését, zajos működést vagy nagyobb erőforrás-felhasználást eredményezhet.

A szűrőegység három szűrőből áll, amelyek eltávolítják az ételmaradékokat a mosogatóvízből, majd visszaforgatják a vizet.

A mosogatógép nem használható szűrők nélkül vagy meglazult szűrővel.

Havonta legalább egyszer vagy 30 programonként ellenőrizze a szűrőegységet, és szükség esetén tisztítsa meg alaposan folyó víz alatt, nemfémes kefével, az alábbi utasításoknak megfelelően:

1. Forgassa a henger alakú szűrőt **A** az óramutató járásával ellentétes irányba, majd húzza ki (1. ábra).
2. Vegye ki a kehely alakú szűrőt **B** úgy, hogy enyhén megnyomja az oldalsó füleket (2. ábra).
3. Csúsztassa ki a rozsdamentes acélból készült szűrőlemezt **C** (3. ábra).
4. Ha idegen tárgyat (például törött üveget, porcelánt, csontot, gyümölcsmagot stb.) talál, **óvatosan távolítsa el azt**.
5. Ellenőrizze a szűrőrészt, és távolítsa el az ételmaradékokat. **SOHA NE TÁVOLÍTSA EL** a mosogatóciklust végző pumpa védőfedelét (feketével jelölve) (4. ábra)!



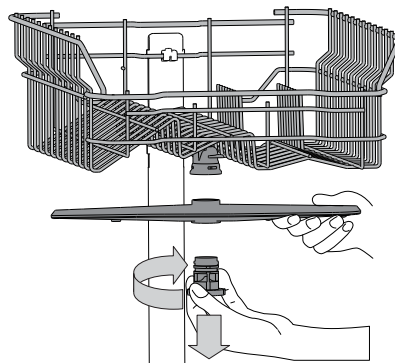
A szűrők tisztítása után helyezze vissza a szűrőegységet, és rögzítse megfelelően a helyére. Ez elengedhetetlen a mosogatógép hatékony működéséhez.

A VÍZBEVEZETŐ TÖMLŐ TISZTÍTÁSA

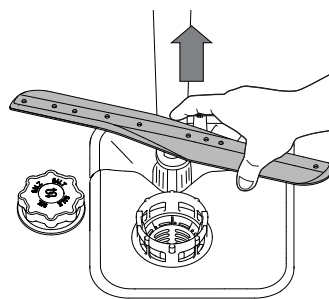
Ha a víztömlők újak, vagy azokat hosszabb ideig nem használták, a csatlakoztatás előtt folyasson át rajtuk vizet, hogy biztosan tiszták és szennyeződéstől mentesek legyenek. Ha nem végzi el ezt az óvintézkedést, a vízbevezető tömlő eltömődhet, és károsíthatja a mosogatógépet.

A SZÓRÓKAROK TISZTÍTÁSA

Időnként ételmaradék száradhat a szórókarokra, és eltömítheti a víz permetezésére szolgáló nyílásokat. Ezért javasoljuk, hogy rendszeresen ellenőrizze a szórókarokat, és tisztítsa meg azokat egy kisméretű, nemfémes kefével.



A felső szórókar leszereléséhez forgassa el a műanyag rögzítőgyűrűt az óramutató járásával megegyező irányba. A felső szórókar visszahelyezésekor ügyeljen arra, hogy a több nyílást tartalmazó oldala nézzen felfelé.



Az alsó szórókart felfelé húzva lehet kivenni a helyéről.

VÍZLÁGYÍTÓ RENDSZER

A vízlágyító rendszer automatikusan csökkenti a víz keménységét, így megelőzve a vízkő felhalmozódását a fűtőszálon, így jobb mosogatási hatékonyságot biztosítva.

A rendszer sóval regenerálja magát, ezért a só tárolót kiürülés esetén fel kell tölteni.

A regenerálás gyakorisága a vízkeménység szintjének beállításától függ - a regenerálás **5** Eco ciklusként történik meg **3**-ra állított vízkeménység szinttel.

A regenerálás a végső öblítés közben kezdődik, és a szárítási fázisban, a program vége előtt fejeződik be.

- Egyetlen regenerálás során a készülék: ~3,5 l vizet használ fel;
- A program 5 perccel tovább tart;
- Kevesebb, mint 0,005 kWh energiát használ fel.

HIBAEELHÁRÍTÁS

Ha a mosogatógép nem megfelelően működik, ellenőrizze, hogy a probléma javítható-e az alábbi lista lépéseinek végrehajtásával. Más hibák vagy problémák esetében lépjen kapcsolatba a hivatalos vevőszolgálattal, amelynek kapcsolattartási adatai a garanciafüzetben található. A pótalkatrészek akár 7, akár 10 évig is rendelkezésre állnak, az adott rendelet követelményeinek megfelelően.

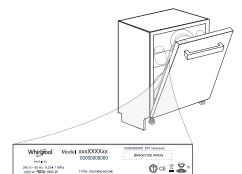
HIBA	LEHETSÉGES OK	MEGOLDÁS
A mosogatógép nem indul vagy nem reagál a parancsokra.	Nem megfelelően csatlakoztatta a készüléket.	Csatlakoztassa a dugót a hálózati aljzatba.
	Áramkimaradás.	A mosogatógép biztonsági okokból nem indul újra automatikusan az áramszolgáltatás visszatértekor. Az START/Szünet gombot megnyomva folytassa a programot.
	Nincs bezárva a mosogatógép ajtaja.	Erőteljesen nyomja be az ajtót, amíg kattantást nem hall.
	Az ajtó nyitása miatt a program félbeszakad > 4 másodpercre.	Csukja be az ajtót, és nyomja meg a START/Szünet gombot.
A mosogatógép nem ereszt le a vizet.	A készülék nem reagál a parancsokra.	Kapcsolja ki a készüléket a BE/KI gombbal, majd kb. 1 perc elteltével kapcsolja vissza, és indítsa újra a programot. Ha a probléma továbbra is fennáll, húzza ki a készüléket a hálózatról 1 percre, majd csatlakoztassa ismét.
	Még tart a mosogatási ciklus.	Várja meg, amíg a mosogatási ciklus véget ér.
	Meghajlott a leeresztőtömlő.	Ellenőrizze, hogy nem hajlott-e meg a leeresztőtömlő (lásd BESZERELÉSI ÚTMUTATÓ).
	Eltömődött a mosogató lefolyócsöve.	Tisztítsa meg a mosogató lefolyócsövét.
A mosogatógép túl hangosan működik.	Az edények egymáshoz ütődnek.	Az edényeket megfelelően rendezze el (lásd A KOSARAK MEGTÖLTÉSE).
	Túl sok hab képződött.	Nem megfelelően mérte ki a mosogatószert, vagy az nem használható mosogatógépben (lásd A MOSOGATÓSZER-ADAGOLÓ FELTÖLTÉSE). Indítsa újra a mosogatógépet a LEERESZTÉS gombbal (lásd: OPCÍÓK ÉS FUNKCIÓK), és futtasson le egy új programot mosogatószer nélkül.
Az edények nem tiszták.	Nem megfelelően rendezte el az edényeket.	Az edényeket megfelelően rendezze el (lásd A KOSARAK MEGTÖLTÉSE).
	A szűrőkarok nem forognak szabadon, mivel az edények útban vannak.	Az edényeket megfelelően rendezze el (lásd A KOSARAK MEGTÖLTÉSE).
	A mosogatási ciklus túlzottan kímélő.	Válasszon megfelelő mosogatási ciklust (lásd: PROGRAMOK TÁBLÁZATA).
	Túl sok hab képződött.	Nem megfelelően mérte ki a mosogatószert, vagy az nem használható mosogatógépben (lásd A MOSOGATÓSZER-ADAGOLÓ FELTÖLTÉSE).
	Nem megfelelően zárta vissza az öblítőszer rekeszének kupakját.	Zárja vissza az öblítőszer-adagoló kupakját.
	A szűrő szennyezett vagy eltömődött.	Tisztítsa ki a szűrőegységet (lásd ÁPOLÁS ÉS KARBANTARTÁS).
	Kifogyott a só.	Töltse fel a tartályt (lásd A SÓTARTÁLY FELTÖLTÉSE).
A készülék nem vesz fel vizet. Az összes LED gyorsan villog	Nem jön víz a vízvezetékéből, vagy el van zárva a vízcsap.	Ellenőrizze, hogy jön-e víz a vízvezetékéből, és a vízcsap nyitva van-e.
	Meghajlott a vízbevezető tömlő.	Ellenőrizze, hogy nincs-e megtörve a vízbevezető tömlő (lásd: ÜZEMBE HELYEZÉS), állítsa be újra a mosogatógépet, majd indítsa újra.
	Eltömődött a vízbevezető tömlőben lévő szűrő; ki kell tisztítani.	Az ellenőrzés és a tisztítás után kapcsolja ki, majd be a mosogatógépet, és indítson el egy új programot.
A mosogatógép idő előtt befejezi a programot.	A leeresztőtömlő túl alacsonyra van pozicionálva, vagy háztartási szennyvízelvezető rendszerbe vezet le.	Ellenőrizze, hogy a leeresztőtömlő vége megfelelő magasságban van-e (lásd: ÜZEMBE HELYEZÉS). Ellenőrizze a levezetést a háztartási szennyvízelvezető rendszerbe, és ha szükséges, szereljen be légbevezető szelepet.
	Levegő van a vízrendszerben.	Ellenőrizze, hogy a vízrendszer nem szivárog-e, illetve más probléma miatt nem jut-e be levegő.



A szabályzatok, a szabványos dokumentáció, a tartalékalkatrészek rendelése és a termékkel kapcsolatos további információk az alábbi elérhetőségeken található:

- Látogasson el a docs.indesit.eu and parts-selfservice.whirlpool.com weboldalra
- QR-kód segítségével
- Vagy vegye fel a kapcsolatot a vevőszolgálattal (a telefonszámot lásd a garanciafüzetben). Amennyiben a vevőszolgálathoz fordul, kérjük, adja meg a termék adattábláján feltüntetett kódokat.

A modell adataihoz olvassa be az energiafogyasztást jelölő címkén található QR-kódot. A címkén található modellazonosító segítségével használható a regisztrációs portál <https://eprel.ec.europa.eu>.



KASDIENIO NAUDOJIMO VADOVAS



DĖKOJAME, KAD ĮSIGIJOTE INDESIT GAMINĮ.
Kad galėtumėte tinkamai pasinaudoti pagalba, užregistruokite savo prietaisą svetainėje:
www.indesit.com/register

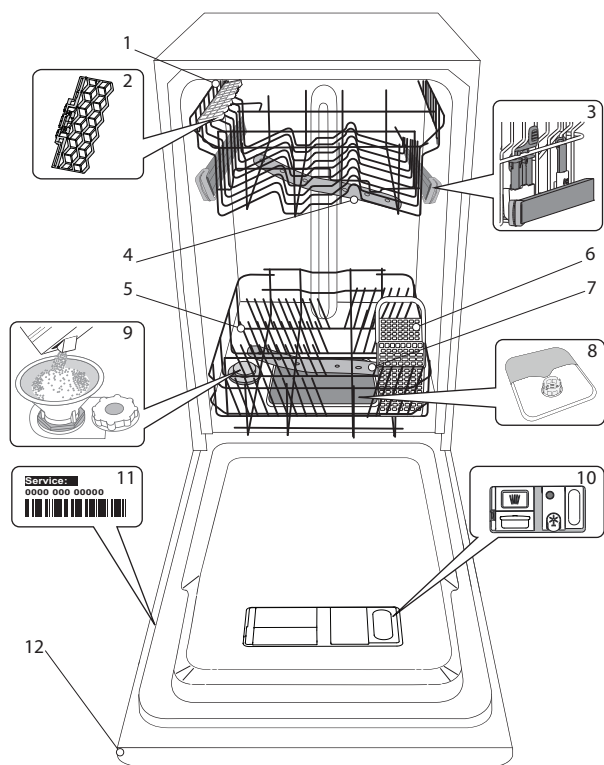
JEI REIKIA DAUGIAU IŠSAMIOS INFORMACIJOS, NUSKAITYKITE ANT PRIETAISO PATEIKTĄ QR KODĄ



⚠️ Prieš naudodamiesi įranga atidžiai perskaitykite Saugos Instrukcijas.

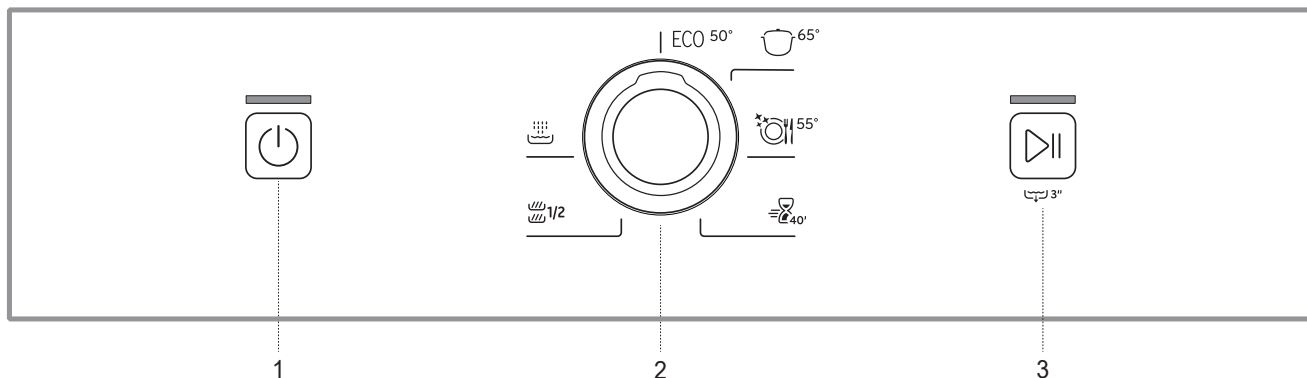
GAMINIO APRAŠYMAS

PRIETAISAS



1. Viršutinė lentynėlė
2. Užlenkiami skydeliai
3. Viršutinės lentynėlės aukščio reguliatorius
4. Viršutinė purkštuko alkūnė
5. Apatinė lentynėlė
6. Įrankių krepšys
7. Apatinė purkštuko alkūnė
8. Filtrų blokas
9. Druskos talpykla
10. Ploviklio ir skalavimo skysčio dozatorius
11. Duomenų plokštelė
12. Valdymo skydelis

VALDYMO SKYDELIS



1. Įjungimo / išjungimo / nustatymo iš naujo mygtukas su indikatorius lempute
2. Programų pasirinkimo rankenėlė
3. Paleidimo / pristabdymo mygtukas su indikatorius lempute / vandens išleidimas

NAUDOJIMAS PIRMĄ KARTĄ DRUSKA, SKALAVIMO SKYSTIS IR PLOVIKLIS

PATARIMAI NAUDOJANT PRIETAISĄ PIRMĄ KARTĄ

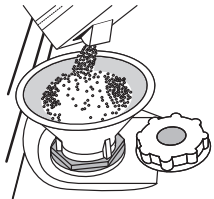
Sumontavę prietaisą išimkite stabdikius iš lentynėlių ir elastingus tvirtinamuosius elementus iš viršutinės lentynėlės.

DRUSKOS TALPYKLOS PAPILDYMAS

Naudojant druską ant indų ir prietaiso funkcinių dalių nesikaupia kalkių nuosėdos.

- Būtina užtikrinti, kad **DRUSKOS TALPYKLA NEBŪTŲ TUŠČIA**.
- Labai svarbu, kad nustatytumėte vandens kietumą.

Druskos rezervuaras yra apatinėje indaplovės dalyje (žiūrėkite *GAMINIO APRAŠYMĄ*) ir ją reikia užpildyti, kai nebesimato žalios plūdės druskos rezervuaro dangtelio viršuje.



1. Išimkite apatinę lentynėlę ir atsukite talpyklos dangtelį (sukite prieš laikrodžio rodyklę).
2. **Tik atliekant pirmą kartą: pripildykite druskos talpyklą su vandeniu.**
3. Įstatykite piltuvėlį (žr. paveikslėlį) ir pripildykite druskos talpyklą iki pat jos kraštų (apie 1 kg); gali būti, kad ištekės šiek tiek vandens.
4. Išimkite piltuvėlį ir nušuostykite druskos likučius nuo angos.

Dangtelį būtina gerai užsukti, kad veikiant plovimo programai į talpyklą nepatektų ploviklis (tai gali nepataisomai sugadinti vandens minkštinimo įtaisą).

Kiekvieną kartą, kai reikia pridėti druskos, procedūrą būtina atlikti prieš pradėdamas plovimo ciklą, kad išvengtumėte korozijos

VANDENS KIETUMO NUSTATYMAS

Kad vandens minkštinimo įtaisas veiktų tinkamai, labai svarbu, kad vandens kietumas būtų nustatytas pagal tikrąjį vandens kietumą jūsų namuose. Šią informaciją galite gauti iš vietinio vandens tiekėjo. Gamykloje nustatoma numatytoji vandens kietumo reikšmė.

- Paspausdami **įjungimo / išjungimo** mygtuką prietaisą įjunkite.
- Paspausdami **įjungimo / išjungimo** mygtuką prietaisą išjunkite.
- Paspauskite ir 5 sek. palaikykite **PALEIDIMO / PRISTABDYMO** mygtuką.
- Paspausdami **įjungimo / išjungimo** mygtuką prietaisą įjunkite.
- **įjungimo / išjungimo LED** indikatorius sumirksės tiek kartų, koks lygis buvo nustatytas.
- Nustatykite norimą vandens kietumo lygį **PROGRAMŲ PASIRINKIMO rankenėle** (žiūrėkite *VANDENS KIETUMO LENTELĒ*)

Vandens kietumo lentelė				
Lygis		°dH Vokiškieji laipsniai	°fH Prancūziškieji laipsniai	°Clark Angliški laipsniai
1	ECO Minkštas	0 - 6	0 - 10	0 - 7
2	Vidutinis	7 - 11	11 - 20	8 - 14
3	Vidurkis	12 - 16	21 - 29	15 - 20
4	Kietas	17 - 34	30 - 60	21 - 42
5	Labai kietas	35 - 50	61 - 90	43 - 62

- Paspausdami **įjungimo / išjungimo** mygtuką prietaisą išjunkite. Nustatymas baigtas!

Atlikę šiuos veiksmus paleiskite programą palikdami prietaisą tuščią.

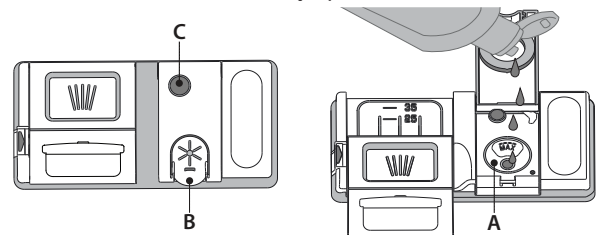
Naudokite tik specialiai indaplovėms skirtą druską.

Jei nebus pripildyta druskos talpykla, dėl susikaupusių kalkių apnašų gali būti pažeistas vandens minkštinimo ir kaitinimo elementas.

Druską rekomenduojame naudoti karu su indaplovėms skirtomis plovimo priemonėmis.

SKALAVIMO SKYSČIO DOZATORIAUS PILDYMAS

Skalavimo skystis padeda lengviau išdžiovinti indus. Skalavimo priemonės dozatorius **A** turi būti užpildytas, kai tamsus optinis indikatorius ant dozatoriaus durelių **C** pasidaro skaidrus.



1. Paspausdami ir patraukdami aukštyn dangtelio fiksatorių atidarykite dozatorių **B**.
2. Atsargiai įpilkite skalavimo skysčio iki maksimalaus lygio žymos (110 ml) – nepripilkite per daug. Jei taip kartais nutiktų, iškart nuvalykite išsipykusį skystį sausa šluoste.
3. Uždarydami paspauskite dangtelį, kad pasigirstų spragtelėjimas. **Skalavimo skysčio NIEKADA nepilkite tiesiai į indaplovę.**

SKALAVIMO SKYSČIO DOZAVIMO REGULIAVIMAS

Jei nesate visiškai patenkinti džiovinimo rezultatais, galite pareguliuoti naudojamą skalavimo skysčio kiekį.

- Spausdami **įjungimo / išjungimo** mygtuką indaplovę įjunkite.
- Spausdami **įjungimo / išjungimo** mygtuką ją išjunkite.
- Triskart paspauskite mygtuką **PALEIDIMO / PRISTABDYMO**.
- Spausdami **įjungimo / išjungimo** mygtuką ją įjunkite.
- **PALEIDIMO / PRISTABDYMO LED** indikatorius sumirksės tiek kartų, koks lygis buvo nustatytas.
- Nustatykite skalavimo priemonės tiekiamo kiekio lygį **PROGRAMŲ PASIRINKIMO rankenėle** (žiūrėkite *PROGRAMŲ LENTELĒ*).
- Spausdami **įjungimo / išjungimo** mygtuką ją išjunkite.

Nustatymas baigtas!

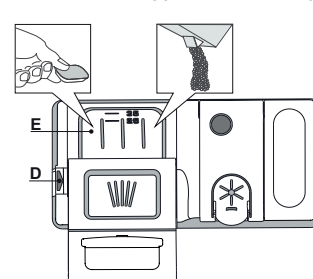
Jei skalavimo skysčio lygį nustatysite kaip 1 (ECO), skalavimo skystis nebus naudojamas.

Atsižvelgiant į naudojamą indaplovės modelį galima nustatyti iki 5 lygių. Gamyklinis nustatymas yra pritaikytas kiekvienam modeliui, vykdydami aukščiau pateiktus nurodymus, patikrinkite ar jis skirtas jūsų mašinai.

- Jei ant indų matote melsvus dryžius, nustatykite žemesnį skaičių (2-3).
- Jei ant indų matote vandens lašelius arba kalkių nuosėdų žymes, nustatykite didesnį skaičių (4-5).

PLOVIKLIO DOZATORIAUS PILDYMAS





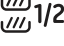

Jei norite atidaryti ploviklio dozatorių, naudokite atidarymo įtaisą D. Ploviklio pilkite tik į sausą dozatorių E. Parengiamojo plovimo ploviklio kiekį įdėkite tiesiai į indaplovę.



1. Matuodami ploviklio kiekį vadovaukitės anksčiau pateikta informacija, kad įdėtumėte tinkamą jo kiekį. Dozatoriaus **E** viduje yra žymos, kurios padės pasirinkti tinkamą ploviklio kiekį.
2. Pašalinkite ploviklio likučius iš dozatoriaus kampe, tada uždarykite dangtelį taip, kad jis spragtelėtų.
3. Traukdami aukštyn, kol uždarymo įtaisas užsifiksuoja vietoje, uždarykite ploviklio dozatoriaus dangtelį.

Ploviklio dozatorius automatiškai atsidarys reikiamu metu vykdamas programą. **Naudojant ne indaplovėms skirtą skalavimo priemonę įrenginys gali netinkamai veikti arba sugesti.**

PROGRAMŲ LENTELĖ

Programa	Džiovinimo etapas	Plovimo programos trukmė (h:min) ^{*)}	Vandens sąnaudos (litrai ciklui)	Energijos sąnaudos (kWh/ ciklui)
1 Ekonominė  50°	✓	4:00	11,5	0,78
2 Intensyvi  65°	✓	2:30	15,0	1,50
3 Mišrus  55°	✓	2:25	15,0	1,35
4 Spartus 40'  45°	-	0:40	8,0	0,90
5 Pusinė įkrova  1/2 50°	✓	1:15	11,0	0,90
6 Mirkymas  -	-	0:10	4,0	0,01

Ekonominės programos duomenys yra apskaičiuoti laboratorijos sąlygomis vadovaujantis Europos standarto EN 60436:2020 reikalavimais.

Pastaba bandymų laboratorijoms: dėl informacijos apie lyginamuosius Europos standartus rašykite adresu: dw_test_support@whirlpool.com

Pirminis lėkščių apdorojimas nereikalingas prieš visas programas.

*) Reikšmės, pateikiamos kitoms programoms nei („Eco“), yra tik rekomendacinio pobūdžio. Tikrasis laikas gali keistis dėl daugelio veiksnių, pvz., tiekiamo vandens temperatūros ir slėgio, patalpos temperatūros, ploviklio kiekio, įkrovos kiekio ir tipo, įkrovos paskirstymo, papildomai pasirinktų parinkčių ir jutiklio kalibravimo. Dėl jutiklio kalibravimo programos trukmė gali pailgėti iki 20 min.

PROGRAMŲ APRAŠYMAS

Plovimo ciklo pasirinkimo nurodymai.

1 EKONOMINĖ

Ekonomiška programa („Eco“) tinka įprastai užterštiems stalo indams plauti iškart po naudojimo, tai efektyviausia programa pagal bendras energijos ir vandens sąnaudas, ji naudojama, kad būtų tenkinamos ES ekologinio projektavimo nuostatos.

2 INTENSYVI

Programą rekomenduojama naudoti labai nešvariems indams, ypač keptuvėms ir prikaistuviams (nenaudoti jautriems indams).

3 MIŠRUS

Įvairiai užteršta. Įprastai nešvariems indams, ant kurių yra pridžiuvusių maisto likučių.

4 SPARTUS 40'

Programą rekomenduojama naudoti mažai užterštų indų, prie kurių nėra pridžiuvusių maisto likučių, pusinei įkrovai. Neturi džiovinimo fazės.

5 PUSINĖ ĮKROVA

Idealiai tinka plauti nepilną indaplovę šiek tiek nešvarių indų.

6 MIRKYMAS

Naudokite indams, kurie bus plaujami vėliau, paruošti. Šiai programai nenaudojama jokie ploviklio.

Pastabos.

Atkreipkite dėmesį, kad greito plovimo ciklas *Spartus 40'* skirtas tik šiek tiek nešvariems indams.

PARINKTYS IR FUNKCIJOS



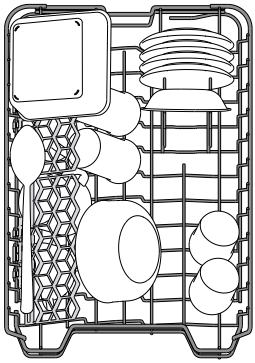
VANDENS IŠLEIDIMAS

Jei norite sustabdyti ir atšaukti aktyvų ciklą, galite naudoti vandens išleidimo funkciją.

Paspaudus ir palaikius PALEIDIMO / PRISTABDYMO mygtuką bus suaktyvinta VANDENS IŠLEIDIMO funkcija. Aktyvi programa bus sustabdyta, o vanduo iš indaplovės išleistas.

DĖJIMAS Į LENTYNĖLES

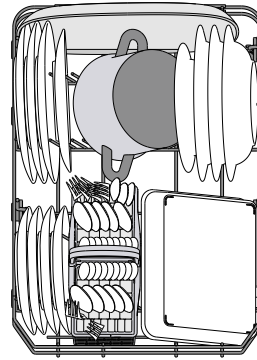
VIRŠUTINĖ LENTYNĖLĖ



Sudėkite jautrius ir lengvus indus: stiklines, puodelius, lėkšteles, žemas salotines.

(indų dėjimo viršutinėje lentynėlėje pavyzdys)

APATINĖ LENTYNĖLĖ



Puodams, dangčiams, lėkštėms, salotinėms, įrankiams ir pan. Dideles lėkštes ir dangčius geriausia dėti kraštuose, kad jie netrukdytų mentėms su purkštukais.

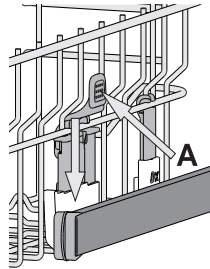
(indų dėjimo apatiniame krepšyje pavyzdys)

VIRŠUTINĖS LENTYNĖLĖS AUKŠČIO REGULIAVIMAS

Viršutinės lentynėlės aukštį galima reguliuoti: viršutinė padėtis yra skirta dideliems indams apatiniame krepšyje sudėti, o apatinė – kad išnaudotumėte visas atlenkiamas atramas ir sukurtumėte daugiau vietos viršuje, o apatinėje lentynėlėje sudėti daiktai nesiliestų.

Viršutinėje lentynėlėje yra įrengtas **aukščio reguliatorius** (žr. pav.), nespausdami svirčių kelkite ją aukštyn tiesiog laikydami už lentynėlės kraštų, kol ji stabiliai užsifiksuos viršutinėje padėtyje.

Jei lentynėlę vėl norite nuleisti, paspauskite svirtis **A** lentynėlės šonuose ir nuleiskite krepšį žemyn.



Primygtinai rekomenduojame lentynėlės aukščio nereguliuoti, kai ji pilna.

NIEKADA nebandykite lentynėlės nuleisti ar pakelti tik vienoje pusėje.

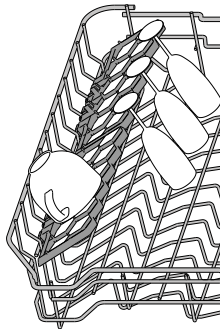
REGULIUOJAMOS PADĖTIES UŽLENKIAMI SKYDELIAI

Šoninius užlenkiamus skydelius galima užlenkti ar atlenkti, kad optimizuotumėte indų išdėstymą krepšyje.

Vyno taures galima saugiai dėti į užlenkiamus skydelius – tiesiog kiekvienos taurės kojelę įstatykite į atitinkamą angą.

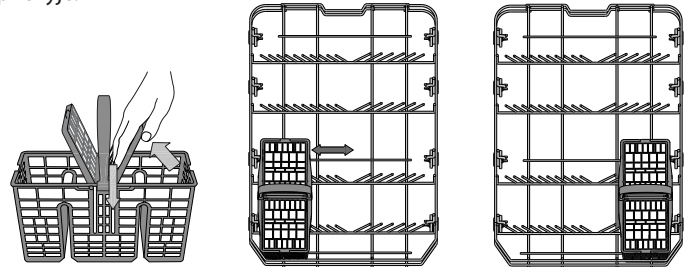
Priklausomai nuo modelio:

- Norint atlenkti skydelį, reikės jį pastumti aukštyn ir pasukti arba atlaisvinti laikiklius ir truktelėti žemyn.
- Norint užlenkti skydelį, reikės jį pasukti ir nulenkti skydelius žemyn arba truktelėti aukštyn ir pritvirtinti skydelius prie laikiklių.



ĮRANKIŲ KREPŠYS

Kad įrankius būtų patogiau sudėti, modulinio krepšelio viršuje yra tinklelis. Įrankių krepšelį būtina statykite tik apatinės lentynėlės priekyje.



Peilius ir kitus aštrius įrankius reikia dėti į įrankių krepšį smaigaliu žemyn arba dėti horizontaliai atlenkiamame skyriuje viršutinėje lentynėlėje.

KASDIENIS NAUDOJIMAS

- PATIKRINKITE PRIJUNGIMĄ PRIE VANDENTIEKIO**
Patikrinkite, ar indaplovė prijungta prie vandentiekio sistemos ir atidarytas čiaupas.
- IJUNKITE INDAPLOVĘ**
Paspauskite **Ijungimo / Išjungimo** mygtuką.
- SUDĖKITE INDUS Į LENTYNĖLES**
(žr. **DĖJIMAS Į LENTYNĖLES**)
- PLOVIKLIO DOZATORIAUS PILDYMAS**
- PASIRINKITE PROGRAMĄ IR PRITAIKYKITE CIKLĄ**
Pasirinkite tinkamiausią programą pagal indų tipą ir jų užteršimo lygį (žiūrėkite **PROGRAMŲ APRAŠYMAS**) sukdami **PROGRAMŲ PASIRINKIMO rankenėlę** pagal laikrodžio rodyklę. Pasirinkite reikiamas parinktis (žr. **PARINKTYS IR FUNKCIJOS**).
- PALEISKITE**
Paleiskite plovimo ciklą paspausdami **PALEIDIMO / PRISTABDYMO** mygtuką.
- PLOVIMO CIKLO PABAIGA**
Apie plovimo ciklo pabaigą praneša šviečiantis **Ijungimo / Išjungimo LED indikatorius**. Išjunkite prietaisą paspausdami **Ijungimo / Išjungimo** mygtuką ir atidarykite dureles. Prieš išimdami indus palaukite kelias minutes, kad nenusidegintumėte. Išimkite indus iš lentynėlių pradėdami nuo apatinės.

Po tam tikro neaktyvumo laiko prietaisas išsijungs automatiškai, kad būtų sumažintos elektros energijos sąnaudos. Jei indai sutepti tik šiek tiek arba jei juos nuskalavote vandeniu prieš dėdami į indaplovę, atitinkamai sumažinkite naudojamą ploviklio kiekį.

VEIKIANČIOS PROGRAMOS KOREGAVIMAS

Jei pasirinkote netinkamą programą, ją galima pakeisti, jei ji ką tik prasidėjo: paspauskite ir palaikykite **Ijungimo / Išjungimo** mygtuką, kad prietaisą išjungtumėte.

Prietaisą vėl įjunkite paspausdami **Ijungimo / Išjungimo** mygtuką ir pasirinkite naują plovimo ciklą ir reikiamas parinktis; paleiskite ciklą. Paspauskite **PALEIDIMO / PRISTABDYMO** mygtuką.

PAPILDOMŲ INDŲ ĮDĖJIMAS

Neišjungę prietaiso atidarykite dureles (**saugokitės KARŠTŲ garų!**) ir įdėkite indus į indaplovę. Uždarykite dureles ir paspauskite **PALEIDIMO / PRISTABDYMO** mygtuką, ciklas bus tęsiamas nuo tos vietos, kurioje jis buvo nutrauktas.

ATSITIKTINIAI CIKLO PERTRAUKIMAI

Jei plovimo ciklo metu atidarysite dureles arba nutrūks elektros tiekimas, ciklas bus sustabdytas. Kai dureles uždarysite arba bus atnaujintas elektros tiekimas, ciklui paleisti nuo pertraukimo vietos reikia paspausti **PALEIDIMO / PRISTABDYMO** mygtuką.

PATARIMAI IR REKOMENDACIJOS

PATARIMAI

Prieš dėdami į krepšius nuo indų pašalinkite visus maisto likučius, o stiklines išplaukite. Skalauti po tekančiu vandeniu nereikia. Indus sudėkite taip, kad jie tvirtai laikytųsi vietoje ir neapvirštų; indus sudėkite angomis žemyn, o įgaubtas / išgaubtas dalis – įstrižai, taip vanduo pasieks visus paviršius ir galės laisvai tekėti. Pespėjimas: dangteliai, rankenėlės, padėklai ir kepimo skardos netrukdo mentėms su purkštukais sukurti. Visus smulkius daiktus sudėkite į įrankių krepšį. Stipriai nešvarius indus ir keptuves dėkite į apatinį krepšį, nes šiame skyriuje vandens srovė yra stipresnė, todėl plaunama intensyviau. Sukrovę indus į prietaisą įsitikinkite, ar laisvai sukasi mentės su purkštukais.

NETINKAMI INDAI

- Mediniai indai ir įrankiai.
 - Jautrios dekoruotos stiklinės, meno dirbiniai ir antikvariniai indai. Šių indų papuošimai nėra atsparūs.
 - Dalys iš sintetinių medžiagų nėra atsparios aukštai temperatūrai.
 - Variniai ir alumininiai indai.
 - Indai sutepti pelenais, vašku, tepalu ar rašalu.
- Plaunant stiklinių indų spalvoti papuošimai ir aliumininės / sidabro detalės gali pakeisti spalvą ir išblukti. Be to, po kelių plovimo ciklų tam tikrų tipų stiklo (pvz., krištolo) indai gali tapti matiniais.

STIKLO IR INDŲ PAŽEIDIMAI

- Naudokite tik stiklinius ir porcelianinius indus, kurių gamintojas nurodo, jog juos saugu plauti indaplovėje.
- Naudokite švelnų ploviklį, kuris tinka indams.
- Stiklines, taures ar indus iš indaplovės išimkite kuo greičiau pasibaigus plovimo ciklui.

PATARIMAI DĖL ENERGIJOS TAUPYMO

- Kai buitinė indaplovė naudojama pagal gamintojo instrukcijas, **plau- nant stalo indus indaplovėje paprastai sunaudojama MAŽIAU ENERGIJOS ir vandens, nei plau- nant indus rankomis**.
- Kad būtų maksimaliai išnaudojamas indaplovės efektyvumas, rekomenduojama **paleisti plovimo ciklą, kai indaplovė pilnai užkrauta**. Užkraunat buitinę indaplovę iki gamintojo nurodytos talpos, bus sutaupoma daugiau energijos ir vandens. Informacijos, kaip teisingai sudėti stalo indus, rasite skyriuje LENTYNĖLIŲ UŽPILDYMAS. Jei užkrovė tik dalinai, rekomenduojama naudoti atitinkamą plovimo parinktį, jei ji yra (pusinė įkrova / zonos plovimas / keletu zonų), užpildant tik pasirinktas lentynėles. Neteisingai sudėjus indus arba pridėjus jų per daug gali padidėti resursų sąnaudos (pavyzdžiui, vandens, energijos ir laiko, o taip pat gali padidėti triukšmo lygis), sumažėti plovimo ir džiovavimo kokybė.
- Rankiniu būdu praskalaujant indus prieš dedant į indaplovę padidėja vandens ir energijos sąnaudos, todėl tai nerekomenduojama.

HIGIENA

Kad išvengtumėte kvapų ir indaplovėje susikaupusių nešvarumų, **bent kartą per mėnesį paleiskite aukštos temperatūros programą**. Įdėkite šaukštelį ploviklio ir paleiskite programą be įkrovos, kad prietaisą išplautumėte.

PRIEŽIŪRA IR TECHNINĖ PRIEŽIŪRA

FILTRŲ BLOKO VALYMAS

Reguliariai valykite filtrus, kad jie neužsikštų ir tinkamai ištekėtų panaudotas vanduo.

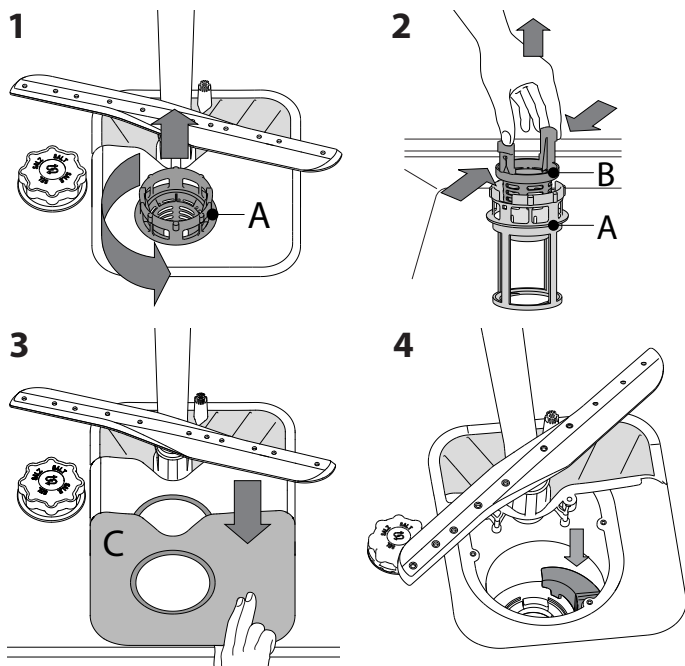
Naudojant indaplovę su užterštais filtrais arba esant svetimkūnių filtravimo sistemoje ar purkštuvuose galimas netinkamas veikimas – tai našumo sumažėjimas, triukšmingas veikimas arba didesnės resursų sąnaudos.

Filtrų bloką sudaro trys filtras, kurie iš plovimo vandens pašalina maisto likučius ir recirkuliuoja vandenį.

Indaplovę draudžiama naudoti be filtrų arba netinkamai pritvirtintus filtrus.

Bent kartą per mėnesį arba po kiekvienų 30 ciklų patikrinkite filtrų bloką ir prireikus jį gerai išplaukite po tekančiu vandeniu naudodami nemetalinį šepetėlį ir laikydamiesi toliau pateikiamų nurodymų:

1. Pasukite cilindro formos filtrą **A** prieš laikrodžio rodyklę ir ištraukite jį (1 pav.).
2. Nuimkite filtro dangtelį **B** šiek tiek paspausdami šoninius fiksatorius (2 pav.).
3. Ištraukite nerūdijančiojo plieno plokštelės filtrą **C** (3 pav.).
4. Jei radote pašalinių objektų (pavyzdžiui stiklo ar porceliano šukių, kaulų, vaisių sėklų ir t. t.) **kruopščiai juos pašalinkite**.
5. Patikrinkite ir pašalinkite susikaupusius maisto likučius. **NIEKADA NE-NUIMKITE** plovimo ciklo siurblio apsaugos (juodos detalės) (4 pav.).



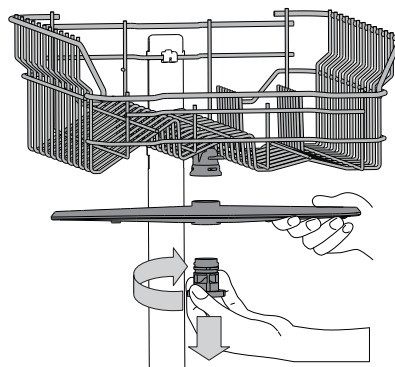
Išplovę filtrus vėl įstatykite filtrų bloką ir tinkamai užfiksуйте jį vietoje. Tai labai svarbu norint užtikrinti tinkamą indaplovės veikimą.

VANDENS ĮLEIDIMO ŽARNOS VALYMAS

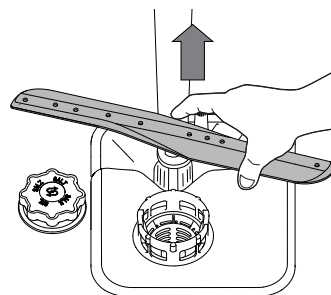
Jei vandens žarnos yra naujos arba buvo ilgai nenaudojamos, prieš prijungdami reikiamose vietose paleiskite vandenį ir patikrinkite, ar jis švarus ir jame nėra nešvarumų. Jei nesiimsite šių atsargumo priemonių, vandens įleidimo anga gali užsikisti, o indaplovė gali sugesti.

PURKŠTUKŲ ALKŪNIŲ VALYMAS

Kartais maisto likučiai gali įstrigti purkštukų alkūnėse ir užkisti angas, per kurias purškiamas vanduo. Todėl rekomenduojama kartkartėmis patikrinti alkūnes ir nuvalyti jas nedideliu nemetaliniu šepetėliu.



Jei norite nuimti viršutinę purškimo rankeną, pasukite plastikinį fiksavimo žiedą laikrodžio rodyklės kryptimi. Viršutinę purkštukų alkūnę reikia įstatyti taip, kad pusė su daugiau angų būtų nukreipta aukštyn.



Apatinę purkštukų alkūnę galima nuimti patraukiant aukštyn.

VANENS MINKŠTINIMO SISTEMA

Vandens minkštinimo įranga automatiškai sumažina vandens kietumą, taip išvengiama kalkių sancaupų ant kaitinimo elemento, pagerėja plovimo efektyvumas.

Ši sistema savaime atsinaujina naudodama druską, todėl ištuštėjęs druskos rezervuarui jį reikia papildyti.

Atsinaujinimo dažnis priklauso nuo vandens kietumo lygio nustatymo – atsinaujinimas vykdomas vieną kartą per 5 „Eco“ ciklų, kai nustatytas 3 vandens kietumo lygis.

Atsinaujinimo procesas prasideda vykstant galutiniam skalavimui ir baigiasi džiovinimo fazėje, prieš ciklo pabaigą.

- Vienam atsinaujinimui sunaudojama: ~3,5 l vandens;
- Cilas užtrunka iki 5 minučių ilgiau;
- Sunaudojama mažiau nei 0,005 kWh energijos.

TRIKČIŲ ŠALINIMAS

Jei jūsų indaplovė tinkamai neveikia, patikrinkite, ar problemą galima išspręsti pasinaudojus šiuo sąrašu. Esant kitoms klaidoms ar problemoms, kreipkitės į įgaliotą techninės priežiūros centrą, kurio kontaktinę informaciją galite rasti garantijos knygelėje. Atsarginių detalių bus galima įsigyti 7 arba 10 metų, atsižvelgiant į įstatymuose numatytus reikalavimus.

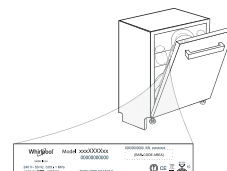
PROBLEMOS	GALIMOS PRIEŽASTYS	SPRENDIMAI
Indaplovė neįsijungia arba neatsako į komandas.	Prietaisas yra netinkamai prijungtas prie maitinimo.	Įkiškite kištuką į maitinimo lizdą.
	Nutrūko elektros energijos tiekimas.	Dėl saugos indaplovė nepasileidžia iš naujo automatiškai, kai atkuriamas elektros tiekimas. Paspauskite PALEIDIMO / Pauzės mygtuką, kad ciklas tęstųsi.
	Neuždarytos indaplovės durelės.	Stipriai pastumkite dureles, kad pasigirstų spragtelėjimas.
	Ciklą nutraukė > 4 sek. durelių atidarymas.	Vėl uždarykite dureles ir paspauskite PALEIDIMO / Pauzės mygtuką.
	Prietaisas neatsako į komandas.	Prietaisą išjunkite paspausdami įjungimo / išjungimo mygtuką, maždaug po minutės vėl jį įjunkite ir iš naujo nustatykite programą. Jei problema išlieka, atjunkite įrenginį nuo tinklo, palaukite 1 minutę, tada vėl prijunkite.
Indaplovė neišleidžia vandens.	Dar nesibaigė plovimo ciklas.	Palaukite, kol baigsis plovimo ciklas.
	Užlenkta išleidimo žarna.	Patikrinkite, ar neužlenkta išleidimo žarna (žr. MONTAVIMO INSTRUKCIJAS).
	Užsikūšio praustuvo išleidimo vamzdis.	Išvalykite praustuvo išleidimo vamzdį.
	Dėl susikaupusių maisto likučių užsikūšio filtras	Išvalykite filtrą (žr. FILTRŲ BLOKO VALYMAS).
Indaplovė skleidžia didelį triukšmą.	Vienas į kitą daužosi indai.	Indus sudėkite tinkamai (žr. DĖJIMAS Į LENTYNĖLES).
	Susidarė didžiulis kiekis putų.	Netinkamai pamatavote ploviklio kiekį arba jis netinkamas indaplovėms (žr. PLOVIKLIO DOZATORIAUS PILDYMAS). Iš naujo nustatykite indaplovę – paspauskite IŠLEIDIMO mygtuką (žr. PARINKTYS IR FUNKCIJOS) ir paleiskite naują programą be ploviklio.
Indai nešvarūs.	Indai buvo netinkamai sudėti.	Indus sudėkite tinkamai (žr. DĖJIMAS Į LENTYNĖLES).
	Purkštukų alkūnės negali laisvai sukstis, joms trukdo indai.	Indus sudėkite tinkamai (žr. DĖJIMAS Į LENTYNĖLES).
	Plovimo ciklas per švelnus.	Pasirinkite tinkamą plovimo ciklą (žr. PROGRAMŲ LENTELE).
	Susidarė didžiulis kiekis putų.	Netinkamai pamatavote ploviklio kiekį arba jis netinkamas indaplovėms (žr. PLOVIKLIO DOZATORIAUS PILDYMAS).
	Netinkamai uždaryte skalavimo skysčio skyriaus dangtelį.	Patikrinkite, ar uždarytas skalavimo skysčio dozatoriaus dangtelis.
	Filtras yra nešvarus arba užsikūšęs.	Išplaukite filtrų bloką (žr. PRIEŽIŪRA IR TECHNINĖ PRIEŽIŪRA).
	Nebėra druskos.	Pripildykite druskos talpyklą (žr. DRUSKOS TALPYKLOS PAPILDYMAS).
Indaplovė neprisipildo vandens. Visi šviesos diodai LED greitai mirksi.	Neprijungtas vandens tiekimas arba uždarytas čiaupas.	Įsitikinkite, kad per vandens tiekimo žarną teka vanduo arba kad atidarytas čiaupas.
	Užlenkta įleidimo žarna.	Patikrinkite, ar neužlenkta įleidimo žarna (žiūrėkite ĮRENGIMAS), dar kartą pasirinkite indaplovės programą ir paleiskite iš naujo.
	Užsikūšio vandens įleidimo žarnos sietelis; jį reikia išvalyti.	Patikrinę ir išvalę indaplovę išjunkite ir vėl įjunkite, tada iš naujo paleiskite naują programą.
Indaplovės ciklas baigiasi per anksti.	Išleidimo žarna įrengta per žemai arba susidaro sifonas į namų kanalizacijos sistemą.	Patikrinkite, ar išleidimo žarnos galas yra tinkamame aukštyje (žiūrėkite ĮRENGIMAS). Patikrinkite, ar nesusidaro sifonas į namų kanalizacijos sistemą, jei reikia, sumontuokite oro įleidimo vožtuvą.
	Oras vandens tiekimo sistemoje.	Patikrinkite vandens tiekimo sandarumą ar kitas problemas, dėl kurių gali patekti oro.



Informaciją apie įmonės politiką, standartinę dokumentaciją, informaciją apie atsarginių dalių užsakymą ir papildomą informaciją galite rasti atlikdami toliau nurodytus veiksmus:

- Apsilankydami mūsų tinklalapyje docs.indesit.eu ir parts-selfservice.whirlpool.com
- Naudodami QR kodą
- Arba **kreipdamiesi į techninės priežiūros centrą** (žr. telefono numerius garantijos lankstinuke). Kreipiantis į techninės priežiūros centrą būtina pateikti gaminio duomenų plokštelėje nurodytus kodus.

Modelio informaciją galima gauti pasinaudojus QR kodu, pateikiamu energijos klasės etiketėje. Etiketėje yra nurodytas ir modelio identifikatorius, kuriuo galima pasinaudoti registro portale <https://eprel.ec.europa.eu>.



LIETOŠANAS NORĀDĪJUMI

INSTRUKCIJA



PALDIES, KA IEGĀDĀJĀTIET INDESIT IZSTRĀDĀJUMU.
Lai saņemtu pilnvērtīgu palīdzību, lūdzu, reģistrējiet savu ierīci vietnē: www.indesit.com/register

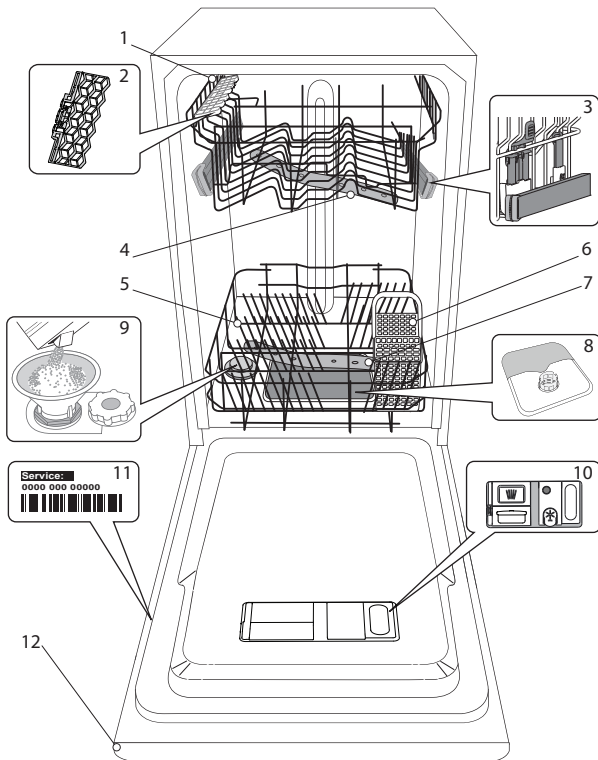
LAI SANEMTU SĪKĀKU INFORMĀCIJU, LŪDZAM NOSKENĒT UZ JŪSU IERĪCES ESOŠO QR.



! Pirms ierīces izmantošanas rūpīgi izlasiet Drošības instrukciju.

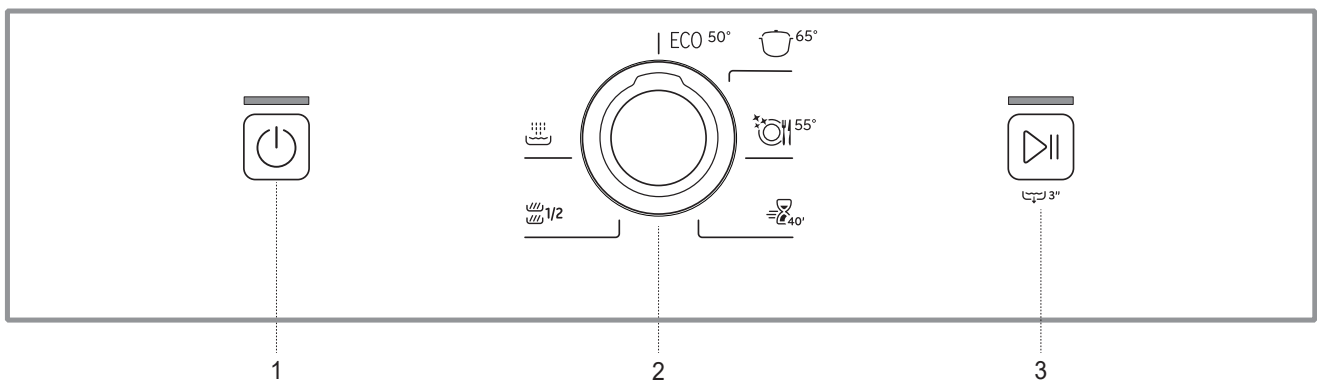
IZSTRĀDĀJUMA APRAKSTS

IERĪCE



1. Augšējais statīvs
2. Pielāgojamie atloki
3. Augšējā statīva augstuma regulators
4. Augšējā smidzināšanas svira
5. Apakšējais statīvs
6. Piederumu grozs
7. Apakšējā smidzināšanas svira
8. Filtru komplekts
9. Sāls tvertne
10. Mazgāšanas un skalošanas līdzekļa dozators
11. Datu plāksnīte
12. Vadības panelis

VADĪBAS PANELIS



1. Ieslēgšanas-izslēgšanas/atiestatīšanas poga ar indikatora gaismīņu
2. Programu pasīrīnkīmo rānķēnlē
3. Palāīšanas / apturēšanas poga ar indikatora gaīsmīņu / ūdēns novādīšana

PIRMĀ LIETOŠANAS REIZE

SĀLS, SKALOŠANAS LĪDZEKLIS UN MAZGĀŠANAS LĪDZEKLIS

IETEIKUMI PIRMAJAI LIETOŠANAS REIZEI

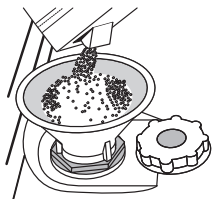
Pēc montāžas izņemiet statīvu bloķētājus un augšējā statīva elastīgos elementus.

SĀLS TVERTNES UZPILDE

Sāls lietošana novērš KAĻĶAKMENS veidošanos uz traukiem un ierīces funkcionālajām daļām.

- **SĀLS TVERTNE NEKAD NEDRĪKST** būt tukša.
- Ir svarīgi iestatīt ūdens cietību.

Sāls nodalījums atrodas trauku mazgājamās mašīnas apakšdaļā (skatiet sadaļu *IZSTRĀDĀJUMA APRAKSTS*), un tā jāuzpilda, kad vairs nav redzams sāls nodalījuma zaļais pludiņš.



1. Izņemiet zemāko statīvu un atskrūvējiet tvertnes vāciņu (pretēji pulksteņa rādītāja virzienam).
2. **Tikai pirmajā reizē rīkojieties šādi: sāls tvertni uzpildiet ar ūdeni.**
3. Novietojiet piltuvi (skatiet attēlu) un piepildiet sāls tvertni līdz augšai (aptuveni 1 kg); no tā nevajadzētu iztecēt ūdenim.
4. Izņemiet piltuvi un noslaukiet uz atveres palikušo sāli.

Pārlicinieties, ka vāciņš ir stingri pieskrūvēts, lai mazgāšanas programmas laikā tvertne neiekļūtu mazgāšanas līdzeklī (tas var sabojāt ūdens mikstinātāju).

Ja nepieciešams pievienot sāli, obligāti jāveic nepieciešamās darbības pirms mazgāšanas cikla ieslēgšanas, lai novērstu koroziju.

ŪDENS CIETĪBAS IESTATĪŠANA

Lai ļautu ūdens mikstinātājam darboties kā paredzēts, ir svarīgi norādīt tādu ūdens cietību, kāda ir ūdenim jūsu mājās. Šādu informāciju varat uzzināt pie vietējā ūdens piegādātāja.

Rūpnīcā ir iestatīta ūdens cietības noklusējuma vērtība

- Ieslēdziet ierīci, nospiežot **IESLĒGŠANAS/IZSLĒGŠANAS** pogu.
- Izslēdziet ierīci, nospiežot **IESLĒGŠANAS/IZSLĒGŠANAS** pogu.
- Nospiediet **PALAIŠANAS/APTURĒŠANAS** pogu un turiet to 5 sekundes.
- Ieslēdziet ierīci, nospiežot **IESLĒGŠANAS/IZSLĒGŠANAS** pogu.
- **IESLĒGŠANAS/IZSLĒGŠANAS** gaismas diodes indikators mirgos tik reizes, kāda numura līmenis iestatīts.
- Iestatiet vēlamo ūdens cietības līmeni, izmantojot pārslēdzēju **PROGRAMMU ATLASE** (skatiet sadaļu *ŪDENS CIETĪBAS TABULA*).

Ūdens cietības tabula				
Līmenis		°dH Vācu grādi	°fH Franču grādi	°Clark Angļu grādi
1	ECO Miksts	0 - 6	0 - 10	0 - 7
2	Vidējs	7 - 11	11 - 20	8 - 14
3	Vidējs	12 - 16	21 - 29	15 - 20
4	Ciets	17 - 34	30 - 60	21 - 42
5	Ļoti ciets	35 - 50	61 - 90	43 - 62

- Izslēdziet ierīci, nospiežot **IESLĒGŠANAS/IZSLĒGŠANAS** pogu. Iestatīšana ir pabeigta!

Tiklīdz šī darbība ir pabeigta, palaidiet programmu, neievietojot mašīnā traukus.

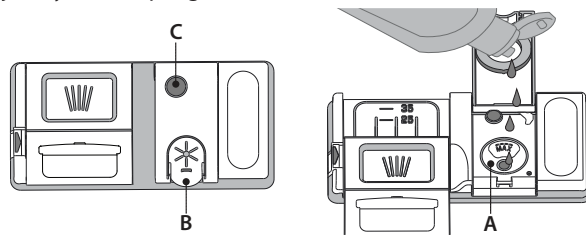
Izmantojiet tikai tādu sāli, kas paredzēta lietošanai trauku mazgājamās mašīnās.

Neuzpildot sāls tvertni, var tikt bojāts ūdens mikstinātājs un sildelements, kā rezultātā uzkrāsies kaļķakmens nogulsnes.

Sāli ieteicams lietot kopā ar visu veidu trauku mazgāšanas līdzekļiem.

UZPILDIET SKALOŠANAS LĪDZEKĻA DOZATORU

Skalošanas līdzeklis ļauj vieglāk NOŽĀVĒT traukus. Skalošanas līdzekļa dozators **A** jāuzpilda tad, ja uz dozatora lūkas esošais tumšais optiskais rādītājs **C** kļūst caurspīdīgs.



1. Atveriet dozatoru **B**, nospiežot un paceļot vāka cilni.
2. Rūpīgi ielejiet skalošanas līdzekli līdz maksimālajai uzpildes vietas atzīmei (110 ml), neizšļakstiet neizlejiet to. Ja tā noticis, nekavējoties saslaukiet to ar sausu drānu.
3. Uzspiediet uz vāciņa, līdz dzirdat aizvēršanās klikšķi.

NEKAD neļaujiet skalošanas līdzekli tieši cilindrā.

SKALOŠANAS LĪDZEKĻA DEVAS PIELĀGOŠANA

Ja jūs neapmierina žāvēšanas rezultāti, varat pielāgot izmantojamā skalošanas līdzekļa daudzumu.

- Ieslēdziet trauku mazgājamo mašīnu, nospiežot **IESLĒGŠANAS/IZSLĒGŠANAS** pogu.
- Izslēdziet ierīci, nospiežot **IESLĒGŠANAS/IZSLĒGŠANAS** pogu.
- Trīs reizes nospiediet pogu **PALAIŠANAS/APTURĒŠANAS**.
- Ieslēdziet ierīci, nospiežot **IESLĒGŠANAS/IZSLĒGŠANAS** pogu.
- Pogas **PALAIŠANAS/APTURĒŠANAS** gaismas diodes indikators mirgos tik reizes, kāda numura līmenis iestatīts.
- Iestatiet skalošanas līdzekļa daudzumu, izmantojot pārslēdzēju **PROGRAMMU ATLASE** (skatiet sadaļu *PROGRAMMU TABULA*).
- Izslēdziet to, nospiežot **IESLĒGŠANAS/IZSLĒGŠANAS** pogu.

Iestatīšana ir pabeigta!

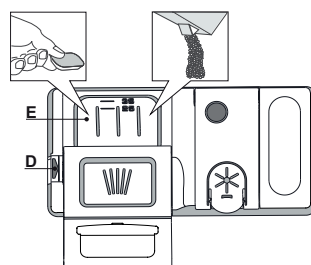
Ja skalošanas līdzekļa līmenis ir iestatīts uz 1 (ECO), nav nepieciešams skalošanas līdzeklis.

Atkarībā no trauku mazgājamās mašīnas modeļa, iespējams iestatīt ne vairāk kā 5 līmeņus. Trauku mazgājamās mašīnas rūpnīcas iestatījums atšķiras atkarībā no modeļa; izpildiet iepriekš minētos norādījumus, lai pārbaudītu šo iestatījumu ierīcē.

- Ja uz traukiem redzamas zilganas svītras, iestatiet mazāku vērtību (2-3).
- Ja uz traukiem redzami ūdens pilieni vai kaļķakmens nogulsnes, iestatiet augstāku vērtību (4-5).

MAZGĀŠANAS LĪDZEKĻA DOZATORA UZPILDE

Lai atvērtu mazgāšanas līdzekļa dozatoru, izmantojiet atvēršanas instrumentu **D**. Ielejiet mazgāšanas līdzekli tikai sausajā dozatorā **E**. Priekšmazgāšanai nepieciešamo mazgāšanas līdzekļa daudzumu ievietojiet tieši cilindrā.




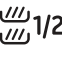



1. Nosakot mazgāšanas līdzekļa daudzumu, skatiet iepriekš minēto informāciju, lai pievienotu pareizu daudzumu līdzekļa. Dozatorā **E** ir norādes, lai pareizi dozētu mazgāšanas līdzekli.
2. Pirms vāka aizvēršanas (līdz dzirdams klikšķis) notīriet mazgāšanas līdzekļa atlikumus no dozatora.
3. Aizveriet mazgāšanas līdzekļa dozatoru, ceļot to uz augšu, līdz slēdzene ir vietā.

Mazgāšanas līdzekļa dozators atveras automātiski, kad pienācis attiecīgais brīdis programmā.

Ja izmantosit mazgāšanas līdzekli, kas nav paredzēts trauku mazgājamām mašīnām, var rasties ierīces darbības traucējumi vai bojājumi.

PROGRAMMU TABULA

Programma	Žāvēšanas posms	Mazgāšanas programmas darbības laiks (h:min) ^{*)}	Ūdens patēriņš (litri/cikli)	Enerģijas patēriņš (kWh/cikli)
1 Eko	ECO 50°	4:00	11,5	0,78
2 Intensīvais	 65°	2:30	15,0	1,50
3 Jaukts	 55°	2:25	15,0	1,35
4 Ātrais 40'	 45°	0:40	8,0	0,90
5 Puse ielāde	 50°	1:15	11,0	0,90
6 Mērcēšana	 -	0:10	4,0	0,01

EKO programmas dati noteikti laboratoriskos apstākļos saskaņā ar Eiropas standartu EN 60436:2020.

Piezīme testa laboratorijām: informāciju par salīdzinošiem EN testēšanas apstākļiem, lūdzu, sūtiet e-pastu uz šo adresi: dw_test_support@whirlpool.com.

Trauku priekšmazgāšana nav nepieciešama nevienā programmā.

*)Vērtības, kas norādītas citām programmām, nevis Eko ir tikai informatīvas. Reālais laiks var mainīties, ņemot vērā tādus faktorus kā pievadītā ūdens temperatūra un spiediens, istabas temperatūra, mazgāšanas līdzekļa daudzums, trauku daudzums un veids, trauku izkārtojums, papildu izvēlnes un sensoru kalibrēšana. Sensoru kalibrēšana var palielināt programmu darbības laiku par 20minūtēm.

PROGRAMMU APRAKSTS

Norādījumi mazgāšanas cikla izvēlei.

1 EKO

Eko programma ir piemērota, lai notīrītu vidēji netīrus virtuves traukus, un tā ir efektīvākā šāda veida mazgāšanas programma, jo mazina enerģijas un ūdens patēriņu atbilstoši ES ekodizaina normatīviem.

2 INTENSĪVAIS

Programma ieteicama ļoti netīriem traukiem, īpaši piemērota pannām un kastroļiem (nav ieteicams traušiem priekšmetiem).

3 JAUKTS

Dažādas netīrumu pakāpes. Izmantojiet vidēji netīriem traukiem ar piekaltušām ēdiena paliekām.

4 ĀTRAIS 40'

Programma paredzēta mazliet netīriem traukiem bez piekaltušām ēdiena atliekām ar daļēju ierīces noslodzi.. Ierīcei nav žāvēšanas programmas.

5 PUSE IELĀDE

Ideāli, lai mazgātu pusi kravas viegli vai parasti netīrus traukus.

6 MĒRCĒŠANA

Virtuves trauku vēlākai mazgāšanai. Šajā programmā nav paredzēts izmantot mazgāšanas līdzekli.

Piezīmes.

Ņemiet vērā, ka cikls Ātrais 40' paredzēts vidēji netīriem traukiem.

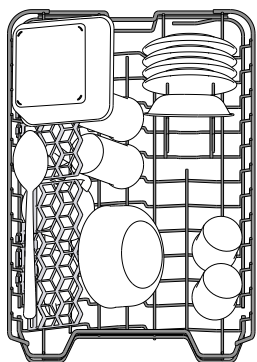
IZVĒLNES UN FUNKCIJAS

ŪDENS NOVADĪŠANA

Lai apturētu un atceltu aktīvo ciklu, iespējams izmantot ūdens novadīšanas funkciju. Nospiežot PALAIŠANAS/APTURĒŠANAS pogu un turot to nospiestu, tiks aktivizēta ŪDENS NOVADĪŠANAS funkcija. Aktīvā programma tiek apturēta un trauku mazgājamā mašīnā esošais ūdens tiek novadīts.

STATĪVU PIEPILDĪŠANA

AUGŠĒJAIS STATĪVS



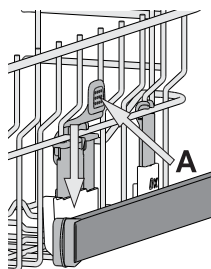
Ievietojiet trauslus un vieglus traukus: glāzes, krūzes, apakštases, seklas salātu bļodas.

(piemērs augšējā statīva piepildīšanai)

AUGŠĒJĀ STATĪVA AUGSTUMA PIELĀGOŠANA

Augšējā statīva augstumu iespējams pielāgot: augstākā pozīcijā, lai apakšējā grozā ievietotu lielākus traukus, un zemākā pozīcijā, lai optimāli izmantotu īpašos atbalstu, nodrošinātu vairāk vietas augšējā daļā un neļautu augšējā statīvā ievietotajiem traukiem sadurties ar apakšējā statīvā ievietotajiem.

Augšējais statīvs aprīkots ar **augšējā statīva augstuma regulatoru** (skatiet attēlu); paceliet to, nespiežot uz svirām, bet vienkārši turot statīva malas, līdz statīvs ir stabili novietots augšējā pozīcijā. Lai atgrieztu statīvu zemākajā pozīcijā, nospiediet statīva malās esošās sviras **A** un bīdiet grozu uz leju.



Ir stingri ieteicams nepielāgot statīvu augstumu, kad tajos ir ievietoti trauki.

NEKAD nepaceliet vai nenolaidiet grozu tikai vienā pusē.

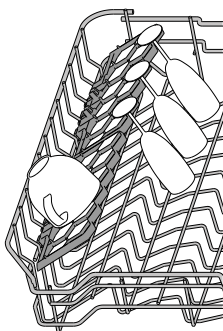
ATLOKĀMIE PLAUKTI AR PIELĀGOJAMU NOVĪETOJUMU

Sānu pielāgojamus atlokus var pielocīt vai atlocīt, lai optimizētu pārtikas produktu izvietošanu statīvā.

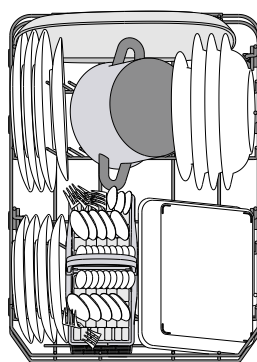
Vīna glāzes var droši ievietot atlokāmajos plauktos, glāžu kājiņas ievietojot attiecīgajās atverēs.

Atkarībā no modeļa:

- lai atlocītu malas, nepieciešams tās pavirzīt augšup un pagriezt vai atbrīvot no stiprinājumiem un pavilkt augšup.
- lai salocītu malas, nepieciešams tās pagriezt un pavirzīt lejup vai pavilkt tās augšup un ievietot stiprinājumos.



APAKŠĒJAIS STATĪVS

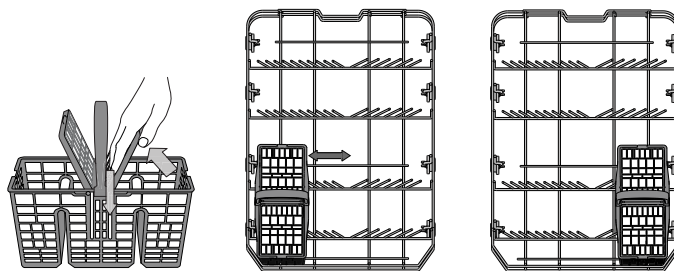


Katliem, vākiem, šķīvjiem, salātu bļodām, galda piederumiem utt. Lieli šķīvji un vāki jānovieto sānos, lai tie netraucētu smidzināšanas svirai.

(piemērs apakšējā statīva piepildīšanai)

PIEDERUMU GROZS

Modulārā groza augšpusē iestrādāts režģis, lai tādējādi ļautu vienkāršāk izkārtot galda piederumus. Piederumu grozu atļauts novietot tikai apakšējā statīva priekšpusē.



Naži un citi asi priekšmeti jāievieto galda piederumu grozā ar spicajiem galiem vēršiem uz leju vai jānovieto horizontāli augšējā statīva nodalījumos ar spicajiem galiem vēršiem uz augšu.

IKDIENAS LIETOŠANA

1. PĀRBAUDIET ŪDENS SAVIENOJUMU

Pārbaudiet, vai trauku mazgājamā mašīna ir pieslēgta ūdens padevei un vai krāns ir atvērts.

2. IESLĒDZIET TRAUKU MAZGĀJAMO MAŠĪNU

Darbojas tikai **IESLĒGŠANAS/IZSLĒGŠANAS** poga.

3. PIEPILDIET STATĪVUS

(skatiet **STATĪVU PIEPILDĪŠANA**)

4. MAZGĀŠANAS LĪDZEKĻA DOZATORA UZPILDE

5. ATLASIET PROGRAMMU UN PIELĀGOJIET CIKLU

Atlasiet piemērotāko programmu saskaņā ar trauku veidu, kā arī netīrības pakāpi, (skatiet sadaļu **PROGRAMMU APRAKSTS**), un griežiet pārslēdzēju **PROGRAMMU ATLASE** pulksteņrādītāju kustības virzienā. Atlasiet nepieciešamās iespējas (skatiet sadaļu **IESPĒJAS UN FUNKCIJAS**).

6. PALAIŠANA

Ieslēdziet mazgāšanas ciklu, nospiežot pogu **PALAIŠANAS/APTURĒŠANAS**.

7. MAZGĀŠANAS CIKLA BEIGAS

Mazgāšanas cikla beigās norāda skaņas **IESLĒGŠANAS/IZSLĒGŠANA** gaismas diodes iedegšanās. Izslēdziet ierīci, nospiežot **IESLĒGŠANAS/IZSLĒGŠANAS** pogu un atveriet durvis.

Lai izvairītos no apdedzinājumiem, pagaidiet pāris minūtes un tikai tad izņemiet traukus.

Izņemiet traukus no statīviem, sākot ar apakšējo

Lai vēl vairāk samazinātu enerģijas patēriņu, ilgstoši neizmantojot ierīci tā automātiski izslēgsies.

Ja trauki ir tikai nedaudz netīri vai pirms ievietošanas trauku mazgājamā mašīnā tie ir noskaloti, samaziniet mazgāšanas līdzekļa daudzumu.

AKTĪVAS PROGRAMMAS MODIFICĒŠANA

Ja atlasīta nepareizā programma un tā nesen sākusi darboties, to ir iespējams nomainīt: nospiediet un pieturiet **IESLĒGŠANAS/IZSLĒGŠANAS** pogu, līdz ierīce izslēdzas.

Ieslēdziet ierīci, nospiežot **IESLĒGŠANAS/IZSLĒGŠANAS** pogu, atlasiet jauno mazgāšanas ciklu un vēlamās izvēlnes; palaidiet mazgāšanas nospiežot **PALAIŠANAS/APTURĒŠANAS** pogu.

PAPILDU TRAUKU IEVIETOŠANA

Atveriet durvis (**uzmanieties no KARSTĀ tvaika!**), neizslēdzot ierīci un ievietojiet traukus trauku mazgājamā mašīnā. Aizveriet durvis un nospiediet **PALAIŠANAS/APTURĒŠANAS** pogu, lai atsāktu programmas darbību no vietas, kur tā tika apturēta.

NEJAUŠA IEJAUKŠANĀS

Ja mazgāšanas cikla laikā tiek atvērtas durvis vai notiek elektropadeves pārrāvums, cikls pārtrauc darboties. Tiklīdz durvis tiek aizvērtas vai tiek atjaunota elektropadeve, palaidiet ciklu no tās vietas, kur tas tika apturēts, nospiežot **PALAIŠANAS/APTURĒŠANAS** pogu.

PADOMI UN IETEIKUMI

PADOMI

Pirms grozu piepildīšanas notīriet no traukiem ēdienu atlikumus un izlejiet šķidrumus no glāzēm. **Nav nepieciešams vispirms izskalot zem tekoša ūdens.**

Novietojiet traukus tā, lai tie stingri turētos vietā un nepārklātos; pārtikas konteinerus novietojiet ar atverēm uz leju un ielikumiem/ izliekumiem vērstiem uz sānu, lai tādējādi ļautu ūdenim piekļūt ikvienai vietai un brīvi plūst.

Brīdinājums: vāki, rokturi, tvertnes un pannas netraucē smidzināšanas svirai griezties.

Mazākos priekšmetus ievietojiet galda piederumu grozā.

Ļoti netīri trauki un pannas jāievieto apakšējā grozā, jo tā ir vieta, kur ūdens strūkļas ir spēcīgākas un tādējādi nodrošina vēl labāku mazgāšanu. Pēc ierīces piepildīšanas pārliecinieties, ka ierīces smidzināšanas sviras var brīvi griezties.

NEPIEMĒROTI TRAUKI

- Koka trauki un piederumi.
- Trauslas un dekorētas glāzes, mākslinieciski amatnieku darinājumi un antīki trauki. Rotājumi nav izturīgi.
- Sintētisko materiālu daļas, kas nevar izturēt augstu temperatūru.
- Vara un alvas trauki.
- Trauki, kas nosmērēti ar pelniem, vasku, eļļu vai tinti.

Mazgāšanas laikā glāžu rotājumu un alumīnija/sudraba priekšmetu krāsa var mainīties. Dažādi stikla priekšmeti (piemēram, kristāla trauki) pēc vairākām mazgāšanas reizēm var kļūt nespodri.

GLĀŽU UN TRAUKU BOJĀJUMI

- Lietojiet tikai tādas glāzes un porcelāna traukus, kurus saskaņā ar ražotāja norādēm atļauts mazgāt trauku mazgājamā mašīnā.
- Lietojiet traukiem piemērotu delikātu mazgāšanas līdzekli
- Tiklīdz mazgāšanas cikls ir beidzies, izņemiet glāzes uz galda piederumus no trauku mazgājamās mašīnas.

ENERĢIJAS TAUPIŠANAS PADOMI

- Ja sadzīves trauku mazgājamo mašīnu lieto atbilstoši ražotāja norādījumiem, **virtuves trauku mazgāšanas laikā parasti tiek patērēts MAZĀK ENERĢIJAS un ūdens, nekā mazgājot traukus ar rokām.**
- Lai maksimāli palielinātu trauku mazgājamās mašīnas efektivitāti, ieteicams ieslēgt mazgāšanas ciklu tikai tad, **kad trauku mazgājamās mašīna ir pilnībā noslogota.** Trauku mazgājamās mašīnas noslodze, vadoties pēc ražotāja ieteikumiem, palīdzēs mazināt enerģijas un ūdens patēriņu. Informāciju par pareizu virtuves trauku ievietošanu skatiet nodaļā **PLAUKTU PIEPILDĪŠANA.** Ja trauku mazgājamā mašīna netiek pilnībā noslogota, ieteicams izmantot paredzētās mazgāšanas iespējas (ja pieejamas) (Half load (Puse ielādes)/Zone Wash (Zonas mazgāšana)/Multizone (Vairākas zonas)), piepildot tikai izvēlētos plauktus. Nepareiza trauku mazgāšanas mašīnas piepildīšana palielinās resursu patēriņu (piemēram, ūdeni, enerģiju un laiku, kā arī tiks palielināts trokšņa līmenis), samazinot tīrīšanas un žāvēšanas veiktspēju.
- Manuāla virtuves piederumu un trauku priekšskalošana izraisīs ūdens un enerģijas patēriņa pieaugumu, un tas nav ieteicams.

HIGIĒNA

Lai ierīces iekšpusē neuzkrātos nepatīkamas smakas un nogulsnes, **vismaz reizi mēnesī ieteicams izpildīt programmu ar augstu temperatūru.** Lai iztīrītu ierīci, izmantojiet vienu tējkaroti mazgāšanas līdzekļa un darbiniet ierīci bez tajā ievietotiem traukiem.

TĪRĪŠANA UN APKOPE

FILTRU KOMPLEKTA TĪRĪŠANA

Regulāri iztīriet filtrus, lai tie neaizsērētu un notekūdens aizplūstu pareizi.

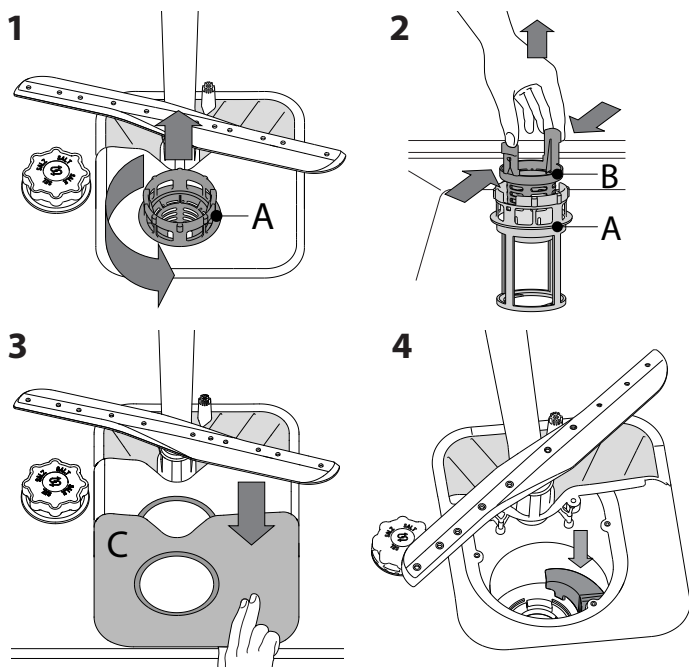
Ja izmantosit trauku mazgājamo mašīnu, kad ir aizsērējuši filtri vai filtrēšanas sistēmā vai izsmidzinātājos ir iekļuvis svešķermenis, var rasties ierīces darbības traucējumi, kas mazinās veiktspēju, palielinās trokšņa līmeni un resursu patēriņu.

Filtru komplekts sastāv no trim filtriem, kas savāc mazgāšanas ūdeni esošās ēdienu paliekas un veic ūdens cirkulāciju.

Trauku mazgājamo mašīnu nevar izmantot bez filtriem, kā arī tad, ja filtri ir vaļīgi.

Vismaz reizi mēnesī vai ik pēc 30 cikliem pārbaudiet filtra mezglu un, ja nepieciešams, iztīriet to ar suku (nemetāla) zem tekoša ūdens un ievērojiet zemāk minētos norādījumus:

1. Pagrieziet cilindrisko filtru **A** pretēji pulksteņa rādītāja virzienam un izvelciet to (1. attēls).
2. Noņemiet kausveida filtru **B**, uzspiežot uz tā sānu atlokiem (2. attēls).
3. Izņemiet plakano nerūsējošā tērauda filtru **C** (3. attēls).
4. Ja tiek konstatēti svešķermeņi (piemēram, saplīsuša stikla, porcelāna gabali, kauli, augļu sēklas u.c.), uzmanīgi izņemiet tos.
5. Pārbaudiet sietu un iztīriet ēdienu atliekas. **NEKAD NENOŅEMIET** mazgāšanas cikla sūkņa drošības elementu (melnā detaļa) (4. attēls).



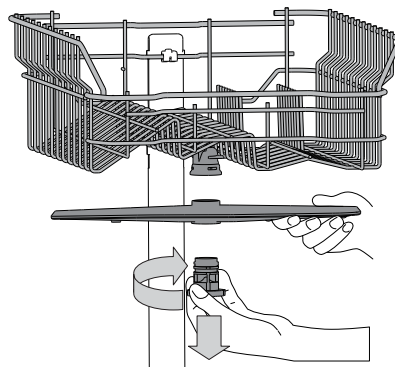
Pēc filtru iztīrīšanas novietojiet tos atpakaļ vietā un rūpīgi nostipriniet; tas ir svarīgi, lai saglabātu trauku mazgājamās mašīnas darbības efektivitāti.

ŪDENS IEPLŪDES CAURULES TĪRĪŠANA

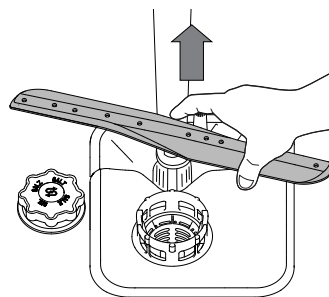
Ja ūdens caurules ir jaunas vai tās nav ilgāku laiku izmantotas, pirms mazgāšanas programmu palaišanas pārļiecinieties, vai ūdens ir tīrs un tajā nav piemaisījumu. Neievērojot šo noteikumu, ūdens ieplūdes caurule var nosprostoties un tādējādi sabojāt trauku mazgājamo mašīnu.

SMIDZINĀŠANAS SVIRU TĪRĪŠANA

Dažkārt ēdienu paliekas var piekalt smidzināšanas svirām un bloķēt atveres, pa kurām tiek smidzināts ūdens. Tādēļ ir ieteicams laiku pa laikam notīriet sviras ar nelielu birstīti (ne metāla).



Lai noņemtu augšējo izsmidzināšanas roku, pagrieziet plastmasas bloķēšanas gredzenu pulksteņrādītāja virzienā. Augšējā smidzināšanas svira jānovieto tā, lai puse, kurā ir lielākais skaits caurumu, būtu vērsta augšup.



Apakšējo smidzināšanas sviru iespējams noņemt, paceļot to uz augšu.

ŪDENS MĪKSTINĀŠANAS SISTĒMA

Ūdens mīkstinātājs automātiski samazina ūdens cietības līmeni, nepieļaujot kaļķakmens nogulšņu uzkrāšanos uz sildītāja un nodrošinot labāku tīrīšanas efektivitāti.

Šī sistēma tiek automātiski reģenerēta ar sāli, tādēļ ir nepieciešams papildināt sāls tvertni, ja tā ir tukša.

Reģenerācijas biežums ir atkarīgs no ūdens cietības līmeņa iestatījuma – reģenerācija notiek vienu reizi katrā 5 Eco ciklā, ja ūdens cietības līmenis ir iestatīts uz 3.

Reģenerācija sākas pēdējās skalošanas cikla laikā un beidzas žāvēšanas fāzē, pirms cikla pabeigšanas.

- Viena reģenerācijas cikla laikā tiek patērēts: aptuveni 3,5 l ūdens,
- Katra cikla izpildes laiks tiek pagarināts līdz 5 minūtēm;
- Tiek patērēts mazāk par 0,005 kWh enerģijas.

PROBLĒMU RISINĀŠANA

Ja trauku mazgājamā mašīna nedarbojas pareizi, pārbaudiet, vai problēmu nav iespējams novērst patstāvīgi, skatot tabulu zemāk. Citu kļūdu gadījumā, lūdzu, sazinieties ar pēcpārdošanas dienestu, kura saziņas dati ir norādīti garantijas bukletā. Rezerves daļas būs pieejamas līdz 7 vai līdz 10 gadus atbilstoši konkrētajā regulējumā noteiktajām prasībām.

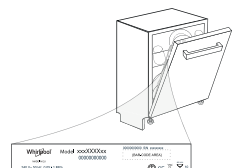
PROBLĒMAS	IESPĒJAMIE CĒĻI	RISINĀJUMI
Trauku mazgājamā mašīna nedarbojas vai nereaģē uz komandām.	Ierīce nav pareizi pieslēgta elektropadevei.	Ievietojiet kontaktdakšu rozetē.
	Elektropadeves pārrāvums.	Drošības apsvērumu dēļ trauku mazgājamā mašīna netiks pārstartēta, atjaunojot energoapgādi. Lai atsāktu ciklu, nospiediet pogu Sākt/Pauze.
	Trauku mazgājamās mašīnas durvis nav aizvērtas.	Enerģiski spiediet durvis, līdz ir dzirdams „klikšķis”.
	Ciklu pārtrauca durvju atvēršana uz ilgāk nekā 4 sekundēm.	Aizveriet ierīci un durvis nospiediet pogu Sākt/Pauze.
	Tā nereaģē uz komandām.	Izslēdziet ierīci, nospiežot IESLĒGŠANAS/IZSLĒGŠANAS pogu, vēlreiz ieslēdziet to pēc aptuveni vienas minūtes un atiestatiet programmu. Ja problēmu neizdodas novērst, atvienojiet ierīci no elektrotīkla uz vienu minūti un tad atkal pieslēdziet.
No trauku mazgājamās mašīnas neizplūst ūdens.	Mazgāšanas cikls vēl nav beidzies.	Pagaidiet, līdz mazgāšanas cikls beidzas.
	Novadcaurule ir satinusies.	Pārlicinieties, ka novadcaurule nav satinusies (<i>skatiet MONTĀŽAS NORĀDĪJUMUS</i>).
	Izlietnes novadcaurule ir nosprostojusies.	Iztīriet izlietnes novadcauruli.
	Filtru ir aizsprostojušas ēdienu atliekas	Iztīriet filtru (<i>skatiet FILTRU KOMPLEKTA TĪRĪŠANA</i>).
Trauku mazgājamā mašīna rada skaļu troksni.	Trauki daudzās viens pret otru.	Novietojiet traukus pareizi (<i>skatiet STATĪVU PIEPILDĪŠANA</i>).
	Ir radies pārāk liels putu daudzums.	Mazgāšanas līdzekļa daudzums nav pareizi aprēķināts vai tas nav piemērots izmantošanai trauku mazgājamās mašīnās (<i>skatiet MAZGĀŠANAS LĪDZEKĻA DOZATORA UZPILDE</i>). Atiestatiet trauku mazgājamo mašīnu, nospiežot ŪDENS NOVADĪŠANAS pogu (<i>skatiet IZVĒLNES UN FUNKCIJAS</i>) un palaidiet jaunu programmu, nepievienojot mazgāšanas līdzekli.
Trauki nav tīri.	Trauki nav bijuši pareizi novietoti.	Novietojiet traukus pareizi (<i>skatiet STATĪVU PIEPILDĪŠANA</i>).
	Izsmidzināšanas sviras nevar brīvi griezties, jo tām traucē trauki.	Novietojiet traukus pareizi (<i>skatiet STATĪVU PIEPILDĪŠANA</i>).
	Mazgāšanas cikls ir pārāk maigs.	Izvēlieties atbilstošu mazgāšanas ciklu (<i>skatiet PROGRAMMU TABULU</i>).
	Ir radies pārāk liels putu daudzums.	Mazgāšanas līdzekļa daudzums nav pareizi aprēķināts vai tas nav piemērots izmantošanai trauku mazgājamās mašīnās (<i>skatiet MAZGĀŠANAS LĪDZEKĻA DOZATORA UZPILDE</i>).
	Skalošanas līdzekļa nodalījuma vāciņš nav pareizi aizvērts.	Pārlicinieties, ka skalošanas līdzekļa dozatora vāciņš ir aizvērts.
	Filtrs ir netīrs vai aizsērējis.	Iztīriet filtru komplektu (<i>skatiet TĪRĪŠANA UN APKOPE</i>).
	Nav sāls.	Uzpildiet sāls tvertni (<i>skatiet SĀLS TVERTNES UZPILDE</i>).
Trauku mazgājamā mašīnā neieplūst ūdens. Visi gaismas diodes ātri mirgo.	Nenotiek ūdens pievade vai ūdens krāns ir aizgriezts.	Pārlicinieties, ka ūdens tiek pievadīts un ūdens krāns ir atgriezts.
	Saliekusies ieplūdes šļūtene.	Pārlicinieties, ka ieplūdes šļūtene nav saliekusies (<i>skatiet sadaļu UZSTĀDĪŠANA</i>), pārprogrammējiet trauku mazgājamo mašīnu un atsāknējiet to.
	Aizsērējis ūdens ieplūdes šļūtenes siets; Ja nepieciešams, iztīriet to.	Pēc tam, kad veikta pārbaude un tīrīšana, izslēdziet un ieslēdziet trauku mazgājamo mašīnu un palaidiet jaunu programmu.
Trauku mazgājamā mašīna priekšlaikus pabeidz mazgāšanas ciklu.	Izplūdes šļūtene ir novietota pārāk zemu, vai ūdens ieplūst mājas notekūdeņu sistēmā.	Pārbaudiet, vai izplūdes šļūtenes gals atrodas pareizā augstumā (<i>skatiet sadaļu UZSTĀDĪŠANA</i>). Pārbaudiet, vai ūdens neieplūst mājas notekūdeņu sistēmā, un, ja nepieciešams, uzstādiet gaisa pievades vārstu.
	Gaiss ūdens pievades sistēmā.	Pārbaudiet, vai ūdens pievades sistēmā nav noplūdes vai citas problēmas, kādēļ notiek gaisa ieplūde.



Politikas, standarta dokumentāciju, rezerves daļu pasūtīšanu un produktu papildinformāciju var atrast:

- Apmeklējot mūsu tīmekļa vietni docs.indesit.eu un parts-selfservice.whirlpool.com
- Izmantojot QR kodu
- Vai arī **sazinieties ar mūsu pēcpārdošanas servisu** (tālruna numurs ir norādīts garantijas grāmatiņā). Sazinoties ar mūsu pēcpārdošanas servisu, lūdzu, nosauciet kodus, kas redzami izstrādājuma datu plāksnītē.

Modeļa informāciju var iegūt, izmantojot QR kodu, kas norādīts jaudas uzlīmē. Uzlīmē norādīts arī modeļa identifikators, ko var izmantot, lai skatītu informāciju reģistra portālā: <https://eprel.ec.europa.eu>.



INSTRUKCJA CODZIENNEJ EKSPLOATACJI



DZIĘKUJEMY ZA ZAKUP PRODUKTU INDESIT.
Aby uzyskać kompleksową pomoc, prosimy zarejestrować urządzenie na stronie: www.indesit.com/register

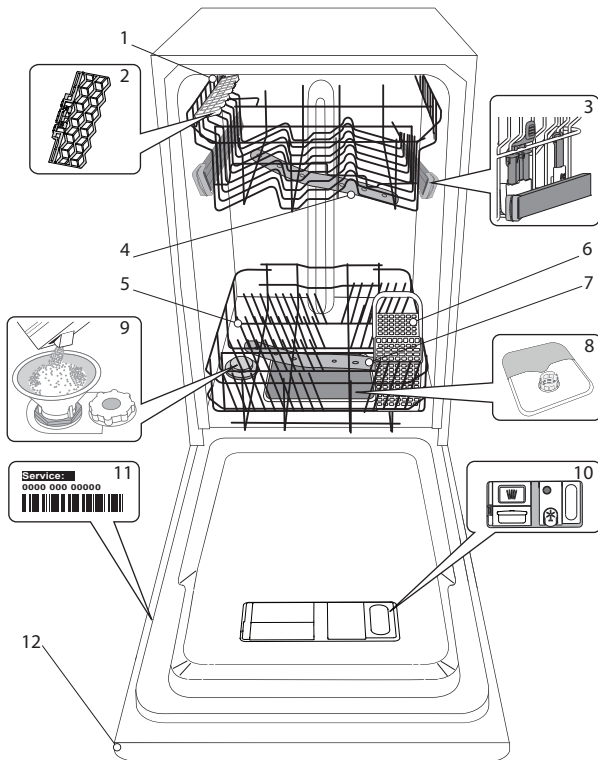
**ZESKANUJ KOD QR NA SWOIM
URZĄDZENIU, ABY UZYSKAĆ
BARDZIEJ SZCZEGÓŁOWE
INFORMACJE**



⚠ Przez użyciem urządzenia przeczytać uważnie Instrukcję bezpieczeństwa.

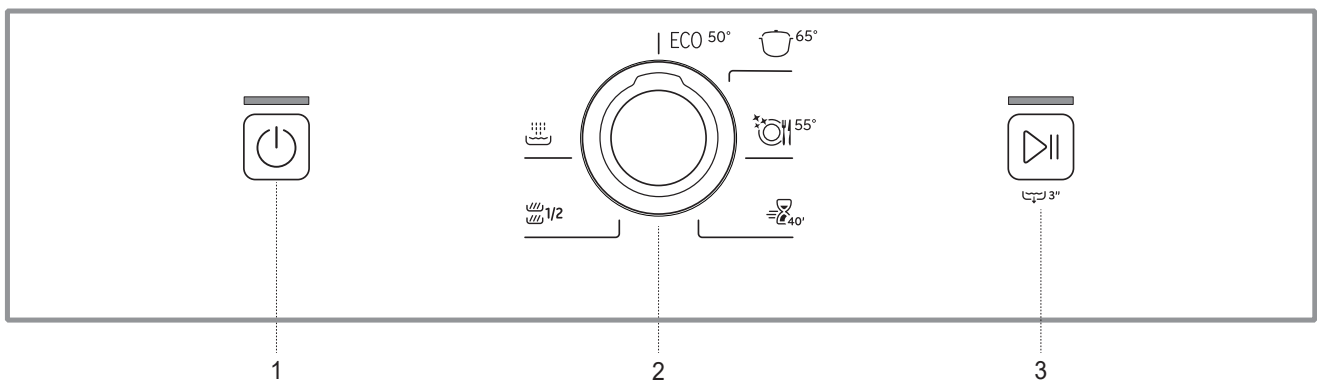
OPIS PRODUKTU

URZĄDZENIE



1. Górny kosz
2. Składane półeczki
3. Regulator wysokości górnego kosza
4. Górne ramię natryskowe
5. Dolny kosz
6. Koszyk na sztućce
7. Dolne ramię natryskowe
8. Zespół filtra
9. Zbiornik soli
10. Dozowniki detergentu i płynu nabłyszczającego
11. Tabliczka znamionowa
12. Panel sterowania

PANEL STEROWANIA



1. Przycisk i kontrolka Wł.-Wył./Reset
2. Pokrętko wyboru programu
3. Przycisk i kontrolka „Start/Pauza”/Odpompowanie wody

PIERWSZE UŻYCIE

SÓL DO ZMYWAREK, DODATKI DO PŁUKANIA I DETERGENT

WSKAZÓWKI DOTYCZĄCE PIERWSZEGO UŻYCIA URZĄDZENIA

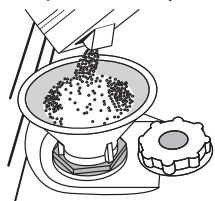
Po zainstalowaniu urządzenia należy wyjąć ograniczniki z koszy oraz elastyczne elementy mocujące z górnego kosza.

NAPEŁNIANIE ZBIORNIKA SOLI

Zastosowanie soli zapobiega tworzeniu się KAMIENIA na naczyńiach i funkcjonalnych podzespołach zmywarki.

- Konieczne jest, aby **ZBIORNIK SOLI NIGDY NIE BYŁ PUSTY**.
- Ważne też jest odpowiednie ustawienie twardości wody.

Zbiornik soli znajduje się w dolnej części zmywarki (zob. OPIS PRODUKTU). Powinien zostać napełniony, gdy zielony pływak w pokrywie zbiornika soli przestanie być widoczny.



1. Wyjąć dolny kosz i odkręcić korek zbiornika (w kierunku przeciwnym do ruchu wskazówek zegara).
2. **Tylko podczas wykonywania czynności po raz pierwszy: Napełnić zbiornik soli wodą.**
3. Umieścić lejek (patrz rys.) i wsypać sól aż do krawędzi zbiornika (około 1 kg); niewielki wyciek wody jest tu normalny.
4. Wyjąć lejek i wytrzeć resztki soli wokół otworu.

Upewnić się, czy korek jest mocno dokręcony, aby detergent nie mógł przedostać się do zbiornika podczas programu zmywania (mogłoby to spowodować nienaprawialne uszkodzenie zmiękczacza wody).

Jeśli trzeba uzupełnić ilość soli w urządzeniu, należy wykonać tę czynność przed rozpoczęciem cyklu zmywania aby uniknąć korozji.

USTAWIENIE TWARDOŚCI WODY

Aby zmiękczacze wody działał idealnie, istotne jest ustawienie twardości wody na podstawie rzeczywistej twardości doprowadzanej wody. Tę informację można uzyskać od lokalnego dostawcy wody.

Ustawienie fabryczne to domyślna wartość dla twardości wody.

- Włączyć urządzenie, naciskając przycisk **WŁ./WYŁ.**
- Wyłączyć urządzenie, naciskając przycisk **WŁ./WYŁ.**
- Przytrzymać przycisk **START/PAUZA** przez 5 sekund.
- Włączyć urządzenie, naciskając przycisk **WŁ./WYŁ.**
- Dioda **LED WŁ./WYŁ.** miga tyle razy, na ile ustawiono poziom.
- Ustawić żądany poziom twardości wody za pomocą **pokrętła WYBORU PROGRAMU** (patrz TABELA TWARDOŚCI WODY).

Tabela twardości wody						
Poziom		°dH St. niemieckie	°fH St. francuskie	°Clark St. brytyjskie		
1	ECO Miękka	0 - 6	0 - 10	0 - 7		
2	Średnia	7 - 11	11 - 20	8 - 14		
3	Przeciętna	12 - 16	21 - 29	15 - 20		
4	Twarda	17 - 34	30 - 60	21 - 42		
5	Bardzo twarda	35 - 50	61 - 90	43 - 62		

- Wyłączyć urządzenie, naciskając przycisk **WŁ./WYŁ.**

Ustawienie zostało wykonane!

Po zakończeniu tych czynności włączyć program bez wkładania naczyń.

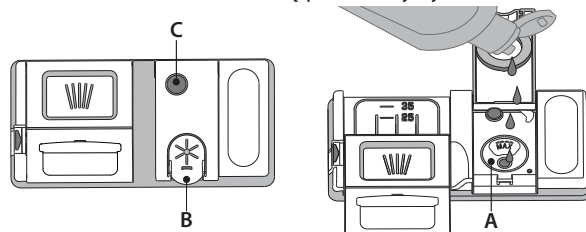
Należy stosować wyłącznie taką sól, która jest specjalnie przeznaczona do zmywarek.

Jeśli pojemnik z solą jest pusty, istnieje ryzyko uszkodzenia zmiękczacza wody oraz grzałki z powodu nagromadzenia osadu.

Stosowanie soli jest zalecane z każdym rodzajem detergentu do zmywarek.

NAPEŁNIANIE DOZOWNIKA PŁYNU NABŁYSZCZAJĄCEGO

Płyn nabłyszczający ułatwia SUSZENIE naczyń. Dozownik płynu nabłyszczającego **A** należy napełnić, gdy ciemny wskaźnik optyczny na drzwiczkach dozownika **C** stanie się przezroczysty.



1. Otworzyć dozownik **B**, naciskając i podnosząc kłapkę na pokrywie.
2. Ostrożnie wlewać płyn nabłyszczający, aż do kreski oznaczającej maksymalny poziom napełnienia (110 ml) - unikać rozlania płynu. Jeśli tak się stanie, należy natychmiast wytrzeć rozlany płyn suchą szmatką.
3. Zatrzasnąć pokrywę.

NIGDY nie wlewać płynu nabłyszczającego bezpośrednio do komory zmywarki.

REGULACJA DOZOWANIA PŁYNU NABŁYSZCZAJĄCEGO

Jeśli rezultaty suszenia nie są w pełni zadowalające, można wyregulować dozowanie używanego płynu nabłyszczającego.

- Włączyć zmywarkę za pomocą przycisku **WŁ./WYŁ.**
- Wyłączyć urządzenie za pomocą przycisku **WŁ./WYŁ.**
- Nacisnąć trzykrotnie przycisk **START/PAUZA**.
- Włączyć ją za pomocą przycisku **WŁ./WYŁ.**
- Dioda **LED START/PAUZA** zacznie migać tyle razy, na ile ustawiono poziom.
- Ustawić poziom płynu nabłyszczającego, który ma być uzupełniony, za pomocą **pokrętła WYBORU PROGRAMU** (patrz TABELA PROGRAMÓW).
- Wyłączyć urządzenie za pomocą przycisku **WŁ./WYŁ.**

Ustawienie zostało wykonane!

Jeśli poziom dozowania płynu nabłyszczającego został ustawiony na 1 (ECO), płyn nabłyszczający nie będzie dozowany.

Można ustawić maksymalnie 5 poziom, zależnie od modelu zmywarki. Ustawienia fabryczne zależą od modelu urządzenia. Aby sprawdzić ustawienia posiadanej zmywarki, należy postąpić według instrukcji powyżej

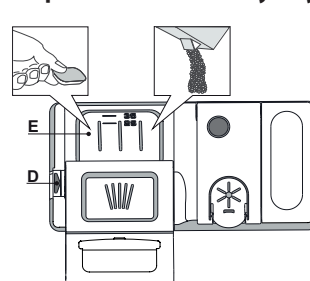
- Jeśli na naczyńiach są widoczne niebieskawe smugi, należy ustawić niski poziom (2-3).
- Jeśli na naczyńiach pozostają krople wody lub oznaki kamienia, należy ustawić wysoki poziom (4-5).

NAPEŁNIANIE DOZOWNIKA DETERGENTU

Aby otworzyć dozownik detergentu, użyć urządzenia do otwierania D.

Detergent wsypywać/wlewać tylko do suchego zasobnika E.

Detergent przeznaczony do mycia wstępnego wsypywać/wlewać bezpośrednio do komory zmywarki.





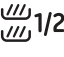



1. Odmierzając dawkę detergentu, należy uwzględnić informacje podane powyżej, aby dodana ilość detergentu była prawidłowa. Wewnątrz dozownika **E** znajdują się oznaczenia ułatwiające dozowanie detergentu.
2. Przed zatrzaśnięciem pokrywki usunąć pozostałości detergentu z krawędzi dozownika.
3. Zamknąć pokrywkę dozownika detergentu, pociągając ją w górę tak, aż urządzenie zamykające zostanie zablokowane na swoim miejscu.

Dozownik detergentu otwiera się automatycznie w odpowiednim czasie, zgodnie z danym programem.

Zastosowanie detergentów nieprzeznaczonych do użytku w zmywarkach może spowodować nieprawidłowe działanie lub uszkodzenie urządzenia.

TABELA PROGRAMÓW

Program	Faza suszenia	Czas trwania programu zmywania (godz.,:min) ^{*)}	Zużycie wody (litry/cykl)	Zużycie energii (kWh/cykl)
1 Eco  50°	✓	4:00	11,5	0,78
2 Intensywny  65°	✓	2:30	15,0	1,50
3 Mieszane  55°	✓	2:25	15,0	1,35
4 Szybki 40'  45°	-	0:40	8,0	0,90
5 Połowa załadunku  50°	✓	1:15	11,0	0,90
6 Namaczanie  -	-	0:10	4,0	0,01

Dane Programu Eco uzyskano na podstawie pomiarów wykonanych w warunkach laboratoryjnych zgodnie z normą europejską EN 60436:2020.

Uwaga dla laboratoriów testowych: szczegółowe informacje dotyczące warunków testów porównawczych EN można uzyskać pod adresem: dw_test_support@whirlpool.com

Przed żadnym z tych programów nie ma potrzeby wstępnego przygotowania naczyń.

*) Wartości podane dla innych programów niż program Eco mają charakter referencyjny. Rzeczywisty czas może się zmieniać w zależności od wielu czynników, takich jak temperatura i ciśnienie dopływającej wody, temperatura otoczenia, ilość detergentu, wielkość i typ załadunku oraz jego wyważenie, a także od dodatkowo wybranych opcji i kalibracji czujnika. Kalibracja czujnika może wydłużyć czas trwania programu aż o 20 min.

OPIS PROGRAMÓW

Instrukcje wyboru cyklu zmywania.

1 ECO

Program Eco jest przeznaczony do mycia naczyń o zwykłym stopniu zabrudzenia; dla tego zastosowania jest to najbardziej wydajny program pod względem zużycia energii elektrycznej i wody oraz w takim zastosowaniu program ten uzyskał certyfikat zgodności z dyrektywą unijną Ecodesign.

2 INTENSYWNY

Program do zmywania bardzo zabrudzonych naczyń, szczególnie zalecany do patelni i garnków (nie powinien być używany do delikatnych naczyń).

3 MIESZANE

Różne zabrudzenia. Do mycia normalnie zabrudzonych naczyń z zaszniętymi resztkami potraw.

4 SZYBKIE 40'

Program należy stosować przy połowie załadunku lub lekko zabrudzonych naczyniach, na których nie zalegają resztki jedzenia. Nie zawiera fazy suszenia.

5 POŁOWA ZAŁADUNKU

Naczynia lekko lub normalnie zabrudzone, połowa zwykłego załadunku.

6 NAMACZANIE

Naczynia przeznaczone do późniejszego mycia. W tym programie nie używa się żadnego detergentu.

Uwagi:

Należy pamiętać, że cykl Szybki 40' służy do mycia lekko zabrudzonych naczyń.

OPCJE I FUNKCJE

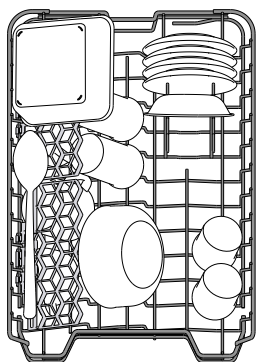
ODPOMPOWANIE WODY

W celu zatrzymania lub anulowania aktywnego cyklu, można skorzystać z funkcji „Odpompowanie wody”.

Długotrwałe naciśnięcie przycisku START/PAUZA spowoduje włączenie funkcji ODPOMPOWANIE WODY. Aktywny program zostanie wyłączony, a woda ze zmywarki zostanie odpompowana.

ŁADOWANIE KOSZY

GÓRNY KOSZ



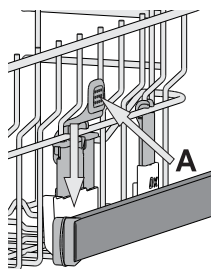
Tu należy wkładać delikatne i lekkie naczynia: szklanki, filiżanki, talerzyki, małe miseczki do sałatek.

(przykładowe załadowanie górnego kosza)

REGULACJA WYSOKOŚCI GÓRNEGO KOSZA

Wysokość górnego kosza można wyregulować: wyższe położenie umożliwi umieszczenie dużych naczyń w dolnym koszu, a niższe pozwala na najwyższe ustawienie podnoszonych wsporników, co daje więcej miejsca u góry, a jednocześnie pozwala uniknąć stykania się z naczyniami umieszczonymi w dolnym koszu.

Górny kosz jest wyposażony w **regulator wysokości górnego kosza** (patrz ilustracja); bez naciskania dźwigni, można łatwo podnieść kosz trzymając go za boczne części i umieszczając stabilnie w górnym położeniu.



Aby przywrócić dolne położenie, nacisnąć dźwignieki **A** po bokach kosza i przesunąć kosz w dół.

Zdecydowanie zalecamy, aby nie regulować wysokości kosza, gdy jest załadowany.

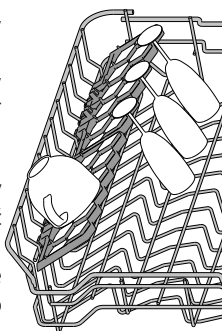
NIGDY nie podnosić lub opuszczać kosza tylko z jednej strony.

SKŁADANE PÓLECZKI Z REGULOWANYM POŁOŻENIEM

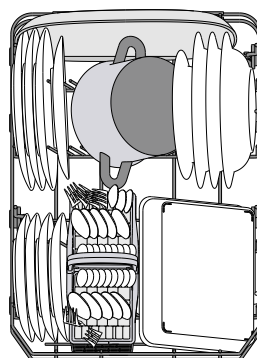
Boczne składane klapy można złożyć lub rozłożyć, aby zoptymalizować ułożenie naczyń w koszyku. Kieliszki do wina można bezpiecznie umieścić, wkładając nóżkę każdego kieliszka do odpowiedniego otworu.

W zależności od modelu:

- aby rozłożyć klapy, należy wysunąć je do góry i obrócić lub zwolnić z zatrzasków i pociągnąć do dołu.
- aby złożyć klapy, należy obrócić je i wsunąć je do dołu lub wyciągnąć do góry i zamocować do zatrzasków.



DOLNY KOSZ



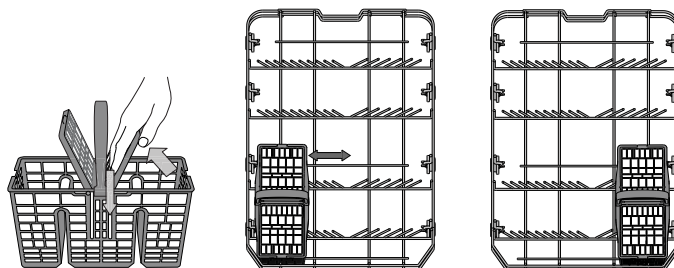
Do garnków, pokrywek, talerzy, misek do sałatek, sztućców itp. Duże talerze i pokrywki powinny być umieszczane z boku, aby uniknąć stykania się z ramieniem natryskowym.

(przykładowe załadowanie dolnego kosza)

KOSZYK NA SZTUĆCE

Jest on wyposażony w górne kratki, które pozwalają na lepsze rozmieszczenie sztućców.

Należy go umieszczać w przedniej części dolnego kosza.



Noże i inne akcesoria o ostrych czubkach i krawędziach należy wkładać do koszyka na sztućce ostrzami skierowanymi w dół lub układać je poziomo na podnoszonych półeczkach, w górnym koszu.

CODZIENNA EKSPLOATACJA

1. SPRAWDZENIE PRZYŁĄCZA WODY

Sprawdzić, czy zmywarka jest podłączona do instalacji wodnej i czy zawór wody jest otwarty.

2. WŁĄCZANIE ZMYWARKI

Nacisnąć przycisk **WŁ./WYŁ.**

3. WKŁADANIE NACZYŃ DO KOSZA

(patrz ŁADOWANIE KOSZY)

4. NAPEŁNIANIE DOZOWNIKA DETERGENTU

5. WYBÓR PROGRAMU I DOSTOSOWANIE CYKLU

Dobrać najodpowiedniejszy program, zgodnie z rodzajem naczyń i poziomem ich zabrudzenia (patrz OPIS PROGRAMÓW) obracając pokrętkiem **SELECTION PROGRAM**, zgodnie z ruchem wskazówek zegara. Wybrać żądane opcje (patrz OPCJE I FUNKCJE).

6. START

Uruchomić cykl zmywania naciskając przycisk **START/PAUZA**.

7. KONIEC CYKLU ZMYWANIA

Zakończenie cyklu prania sygnalizuje świecąca **dioda WŁ./WYŁ.** Wyłączyć urządzenie, naciskając przycisk **WŁ./WYŁ.** i otworzyć drzwiczki.

Przed wyjęciem naczyń odczekać kilka minut - aby uniknąć oparzenia. Wyjąć naczynia, zaczynając od dolnego kosza.

Po dłuższym czasie braku aktywności urządzenie wyłączy się automatycznie, w celu zminimalizowania zużycia energii elektrycznej. Gdy naczynia są tylko lekko zabrudzone lub przed umieszczeniem ich w zmywarce zostały spłukane wodą, można odpowiednio zmniejszyć ilość używanego detergentu.

ZMIANA PROGRAMU W TOKU

Jeżeli został wybrany niewłaściwy program, możliwa jest jego zmiana, pod warunkiem, że program dopiero co się rozpoczął: nacisnąć i przytrzymać przycisk **WŁ./WYŁ.** Zmywarka wyłączy się.

Włączyć zmywarkę z powrotem, za pomocą przycisku **WŁ./WYŁ.** i wybrać nowy cykl zmywania oraz żądane opcje; włączyć cykl naciskając przycisk **START/PAUZA**.

WKŁADANIE DODATKOWYCH NACZYŃ

Nie wyłączając zmywarki, otworzyć drzwiczki (**uwaga na GORĄCĄ parę!**) i włożyć naczynia do zmywarki. Zamknąć drzwiczki i nacisnąć przycisk **START/PAUZA**. Cykl będzie kontynuowany od momentu, w którym został przerwany.

POSTĘPOWANIE W PRZYPADKU PRZERWY

Jeśli drzwiczki zostaną otwarte podczas cyklu zmywania, albo wystąpi przerwa w dopływie prądu, cykl zostanie wstrzymany. Gdy drzwiczki zostaną zamknięte lub zostanie przywrócone zasilanie elektryczne, aby rozpocząć cykl od momentu, w którym został przerwany, należy nacisnąć przycisk **START/PAUZA**.

PORADY I WSKAZÓWKI

PORADY

Przed włożeniem naczyń do kosza, należy usunąć wszystkie resztki jedzenia i opróżnić szklanki. **Nie trzeba ich wcześniej płukać pod bieżącą wodą.** Rozmieścić naczynia tak, aby były mocno utrzymywane na miejscu i nie mogły się przewrócić; pojemniki ułożyć tak, aby ich otwory były skierowane w dół, a wklęsłe/wypukłe elementy były ustawione ukośnie, dzięki czemu woda będzie mogła docierać do każdej powierzchni i swobodnie przepływać.

Ostrzeżenie: pokrywki, uchwyty, tace i patelnie nie mogą uniemożliwiać obracania się ramion natryskowych.

Wszystkie małe przedmioty należy umieszczać w koszyku na sztućce. Bardzo zabrudzone naczynia i patelnie powinny być umieszczane w dolnym koszu, ponieważ w tej części komory zmywarki strumienie wody są silniejsze i zmywanie jest bardziej skuteczne.

Po włożeniu naczyń do zmywarki trzeba sprawdzić, czy ramiona natryskowe mogą obracać się swobodnie.

NACZYNIA NIE NADAJĄCE SIĘ DO ZMYWANIA W ZMYWARKACH

- Naczynia i sztućce drewniane.
- Szklanki z delikatnym zdobieniem, wyroby artystyczne lub naczynia zabytkowe. Ich zdobienia nie są odporne.
- Elementy z tworzywa sztucznego, które nie są odporne na wysokie temperatury.
- Naczynia miedziane i cynowe.
- Naczynia zabrudzone popiołem, woskiem, smarem lub tuszem.

Kolory szklanych dekoracji oraz aluminiowe/srebrne części mogą zmienić się lub ściemnieć podczas zmywania. Niektóre rodzaje wyrobów szklanych (np. kryształ) mogą stracić przezroczystość po zbyt wielu cyklach zmywania.

USZKODZENIE NACZYŃ SZKLANYCH I PORCELANOWYCH

- W zmywarkach można myć tylko takie naczynia szklane i porcelanowe, których producent deklaruje, że są przeznaczone do zmywarek.
- Używać delikatnego detergentu, przeznaczonego do porcelany
- Naczynia szklane i porcelanowe należy wyjmować ze zmywarki, jak tylko zmywanie się skończy.

WSKAZÓWKI DOTYCZĄCE OSZCZĘDZANIA ENERGII

- Jeśli zmywarka domowa użytkowana jest zgodnie z zaleceniami producenta, **zmywanie naczyń w zmywarce zazwyczaj pochłania MNIJĘ ENERGII ELEKTRYCZNEJ i mniej wody niż zmywanie ręczne.**
- Aby maksymalnie zwiększyć wydajność zmywarki, **należy uruchamiać cykl zmywania po pełnym załadunku urządzenia.** Ładowanie zmywarki domowej w stopniu zalecanym przez producenta przyczyni się do oszczędności energii elektrycznej i wody. Informacje na temat prawidłowego ładowania naczyń w zmywarce można odnaleźć w rozdziale ŁADOWANIE KOSZY. W przypadku częściowego załadunku, zaleca się skorzystanie ze specjalnych opcji, jeśli są one dostępne (Połowa załadunku/ Zone Wash/ Multizone), zapewniając jedynie wybrane kosze. Nieprawidłowe lub nadmierne ładowanie zmywarki może spowodować zwiększenie zużycia mediów (np. wody, energii, czasu lub zwiększenie poziomu hałasu), co wpływa negatywnie na wydajność suszenia.
- Ręczne spłukiwanie naczyń przyczynia się do większego zużycia wody i energii elektrycznej i nie jest zalecane.

DEZYNFEKCJA ZMYWARKI

Aby uniknąć powstawania nieprzyjemnych zapachów i tworzenia się osadów, które mogą pojawić się w zmywarce, **należy co najmniej raz w miesiącu włączyć program z wysoką temperaturą.** Aby wyczyścić zmywarkę, należy wyspać/wlać jedną łyżeczkę detergentu i włączyć program bez wkładania naczyń.

UTRZYMANIE I KONSERWACJA

CZYSZCZENIE ZESPOŁU FILTRA

Zespół filtra należy regularnie czyścić, zapobiegając jego zapychaniu i zapewniając prawidłowy odpływ ścieków.

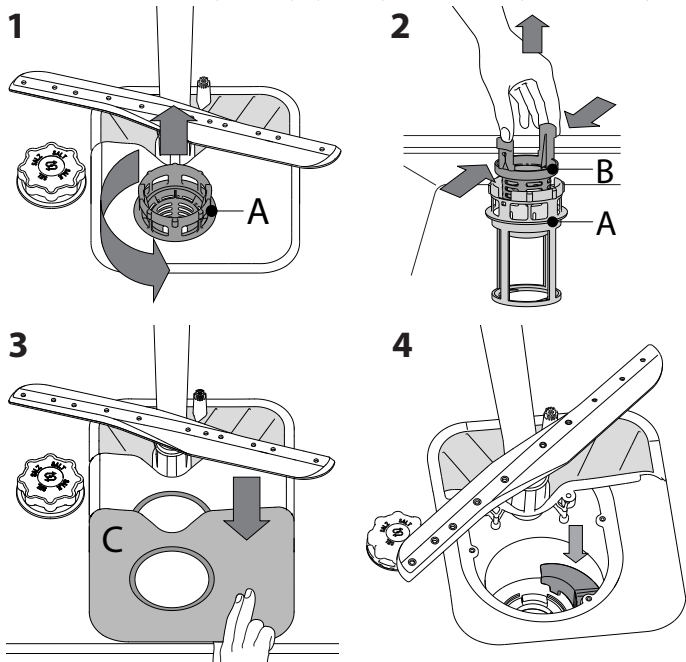
Używanie zmywarki, w której zablokowane są filtry lub zawierającej ciała obce w układzie filtrowania może spowodować nieprawidłowe działanie urządzenia, co prowadzi do obniżenia wydajności, głośniejszej pracy lub większego wykorzystania mediów.

Zespół filtra składa się z trzech filtrów, które usuwają resztki jedzenia z myjącej wody, a następnie umożliwiają jej obieg.

Nie wolno używać zmywarki bez filtrów lub jeśli filtry są źle zamocowane.

Co najmniej raz na miesiąc lub po każdym 30 cyklach zmywania należy sprawdzić zespół filtra i w razie potrzeby oczyścić go dokładnie pod bieżącą wodą za pomocą szczoteczki z niemetalowym włosiem i postępując zgodnie z poniższymi instrukcjami:

1. Odkręcić filtr cylindryczny **A** w kierunku ruchu wskazówek zegara i wyciągnąć go (Rys. 1).
2. Zdjąć korek filtra **B** lekko naciskając boczne klapki (Rys. 2).
3. Wsunąć filtr płytkowy ze stali nierdzewnej **C** (Rys. 3).
4. W przypadku odnalezienia ciał obcych (np. potłuczonego szkła, porcelany, kości, pestek owoców itp.), **należy je ostrożnie wyjąć**.
5. Sprawdzić syfon i usunąć wszelkie resztki potraw. **NIGDY NIE NALEŻY WYJMOWAĆ** osłony pompy cyklu myjącego (czarny element) (Rys. 4).



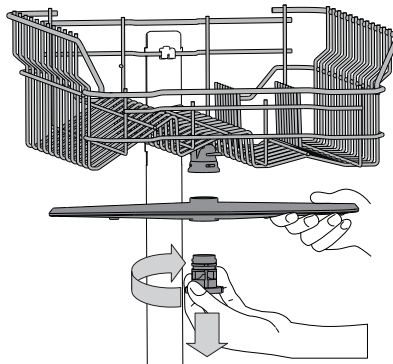
Po oczyszczeniu filtrów założyć z powrotem zespół filtra i zamocować go w prawidłowym położeniu; jest to niezbędne dla utrzymania sprawnego funkcjonowania zmywarki.

CZYSZCZENIE WĘŻA DOPŁYWOWEGO WODY

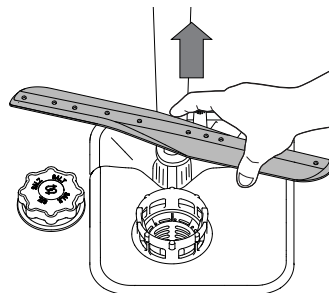
Jeśli węże wody są nowe lub nie były używane przez dłuższy czas, to przed wykonaniem niezbędnych połączeń należy przepuścić przez nie strumień wody, aby upewnić się, czy woda jest czysta i wolna od zanieczyszczeń. Jeśli takie środki ostrożności nie zostaną podjęte, wlot wody może zostać zablokowany, a zmywarka uszkodzona.

CZYSZCZENIE RAMION NATRYSKOWYCH

Może się zdarzyć, że resztki potraw pozostaną na ramionach natryskowych i będą zatykać otwory, przez które wytryskiwana jest woda. Dlatego też zaleca się, aby od czasu do czasu sprawdzić ramiona natryskowe i oczyścić je małą szczoteczka z niemetalowym włosiem.



Aby zdjąć górne ramię natryskowe należy przekręcić plastikowy pierścień blokujący w kierunku ruchu wskazówek zegara. Górne ramię natryskowe powinno zostać z powrotem założone w taki sposób, aby strona z większą liczbą otworów była skierowana do góry.



Dolne ramię natryskowe można wyjmować pociągając je w górę.

SYSTEM ZMIĘKCZANIA WODY

Zmiękczac wody automatycznie zmniejsza twardość wody, tym samym zapobiegając nagromadzeniu osadu na grzałce co z kolei przyczynia się do większej wydajności zmywania.

System sam regeneruje się przy pomocy soli, zatem zbiornik soli należy uzupełniać jak tylko będzie pusty.

Częstotliwość regeneracji jest uzależniona od ustawienia stopnia twardości wody - regeneracja ma miejsce raz na 5 cykli Eco przy poziomie twardości wody ustawionym na 3.

Proces regeneracji rozpoczyna się wraz z ostatnim płukaniem i kończy podczas etapu suszenia przed końcem cyklu.

- Podczas jednej regeneracji: ~Zużycie 3.5 L wody;
- Dodatkowe 5 minut cyklu;
- Zużycie poniżej 0,005 kWh energii elektrycznej.

USUWANIE USTEREK

Jeśli zmywarka nie działa prawidłowo, należy sprawdzić czy problem można rozwiązać wykonując czynności opisane poniżej. W przypadku błędów lub problemów prosimy skontaktować się z zakładem serwisowym, którego dane kontaktowe można odnaleźć w książeczce gwarancyjnej. Części zamienne będą dostępne przez okres do 7 lub do 10 lat, zgodnie z określonymi wymaganiami rozporządzenia.

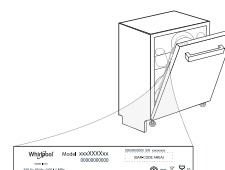
PROBLEM	MOŻLIWE PRZYCZYNY	ROZWIĄZANIE
Zmywarka nie włącza się lub nie reaguje na polecenia.	Urządzenie nie zostało prawidłowo podłączone do zasilania.	Włożyć wtyczkę przewodu zasilającego do gniazdka.
	Przerwa w dopływie prądu.	Ze względów bezpieczeństwa, zmywarka nie wznowi automatycznie pracy po ponownym włączeniu prądu. Nacisnąć przycisk START/Pauza, aby wznowić cykl.
	Drzwiczki zmywarki nie są zamknięte.	Energicznie popchnąć drzwiczki tak, aby było słychać że zostały "zatrzasknięte".
	Cykl został przerwany otwarciem drzwiczek przez > 4 sekundy.	Zamknąć drzwiczki i nacisnąć przycisk START/Pauza.
Zmywarka nie odpompowuje wody.	Nie reaguje na polecenia.	Wyłączyć urządzenie naciskając przycisk WŁ./WYŁ. , po ok. jednej minucie włączyć je z powrotem i zrestartować program. Jeśli problem nadal występuje, należy odłączyć urządzenie na 1 minutę a następnie podłączyć ponownie.
	Cykl zmywania jeszcze nie został zakończony.	Począkać, aż skończy się cykl zmywania.
	Wąż spustowy jest zagięty.	Sprawdzić, czy wąż odpływowy nie jest zagięty (patrz INSTRUKCJA INSTALACJI).
	Rura odpływu zlewu jest zatkana.	Oczyścić rurę odpływu w zlewie.
Zmywarka pracuje zbyt głośno.	Filtr jest zatkany resztkami potraw	Oczyścić filtr (patrz CZYSZCZENIE ZESPOŁU FILTRA).
	Naczynia uderzają o siebie.	Prawidłowo ułożyć naczynia (patrz ŁADOWANIE KOSZY).
Naczynia nie są czyste.	Wytwarzana jest nadmierna ilość piany.	Porcja detergentu nie została poprawnie odmierzona, albo detergent nie nadaje się do stosowania w zmywarkach (patrz NAPEŁNIANIE DOZOWNIKA DETERGENTU). Anulować program zmywania naciskając przycisk ODPOMPOWANIE WODY (patrz OPCJE I FUNKCJE), a następnie włączyć nowy program bez detergentu.
	Naczynia nie zostały prawidłowo rozmieszczone.	Prawidłowo ułożyć naczynia (patrz ŁADOWANIE KOSZY).
	Ramiona natryskowe nie mogą obracać się swobodnie, zaczepiają się o naczynia.	Prawidłowo ułożyć naczynia (patrz ŁADOWANIE KOSZY).
	Cykl zmywania jest zbyt delikatny.	Wybierz odpowiedni cykl zmywania (patrz TABELA PROGRAMÓW).
	Wytwarzana jest nadmierna ilość piany.	Porcja detergentu nie została poprawnie odmierzona, albo detergent nie nadaje się do stosowania w zmywarkach (patrz NAPEŁNIANIE DOZOWNIKA DETERGENTU).
	Pokrywka przegródki na płyn nablyszczający nie została prawidłowo zamknięta.	Upewnić się, czy dozownik płynu nablyszczającego jest zamknięty.
	Filtr jest brudny lub zatkany.	Oczyścić zespół filtra (patrz UTRZYMANIE I KONSERWACJA).
Zmywarka nie napełnia się wodą. Wszystkie diody LED migają szybko.	Nie ma soli.	Napełnić zbiornik soli (patrz NAPEŁNIANIE ZBIORNIKA SOLI).
	Brak wody w sieci wodociągowej lub zawór jest zamknięty.	Sprawdzić, czy woda dopływa z sieci wodociągowej lub czy zawór jest otwarty.
	Wąż dopływowy jest zagięty.	Sprawdzić czy wąż dopływowy nie jest zagięty (zobacz INSTALACJA), następnie ponownie zaprogramować i włączyć zmywarkę.
Zmywarka kończy cykl przedwcześnie	Sitko w węży dopływowy wody jest zapchane; niezbędne jest jego oczyszczenie.	Po wykonaniu sprawdzenia i oczyszczenia należy wyłączyć i włączyć zmywarkę, i rozpocząć nowy program.
	Wąż dopływowy ustawiony jest zbyt nisko lub zasysa do kanalizacji domowej.	Sprawdzić czy końcówka węża dopływowego umieszczona jest na prawidłowej wysokości (zobacz INSTALACJA). Należy sprawdzić pod kątem zasysania do kanalizacji domowej, w razie potrzeby zainstalować zawór wpustowy.
	Powietrze w dopływie wody.	Sprawdzić układ doprowadzania wody pod kątem wycieków lub innych problemów mogących wiązać się z przepuszczaniem powietrza.



Zasady, standardową dokumentację, informacje na temat zamawiania części zamiennych oraz dodatkowe informacje o produkcie można znaleźć:

- Odwiedzając naszą stronę internetową docs.indesit.eu i parts-selfservice.whirlpool.com
- Używając kodu QR
- Ewentualnie można **skontaktować się z naszą obsługą posprzedażową** (patrz numer telefonu w książeczce gwarancyjnej). Kontaktując się z naszą obsługą posprzedażową, należy podać kody zamieszczone na tabliczce identyfikacyjnej produktu.

Informacje o modelu można uzyskać przy pomocy kodu QR podanego na etykiecie energetycznej. Etykieta zawiera również identyfikator modelu, którego można użyć do znalezienia informacji na portalu rejestru pod adresem <https://eprel.ec.europa.eu>.



GUIA DE REFERÊNCIA DE RESOLUÇÃO DE PROBLEMAS



OBRIGADO POR TER ADQUIRIDO UM PRODUTO INDESIT. Para beneficiar de uma assistência mais completa, registe o seu aparelho em: www.indesit.com/register

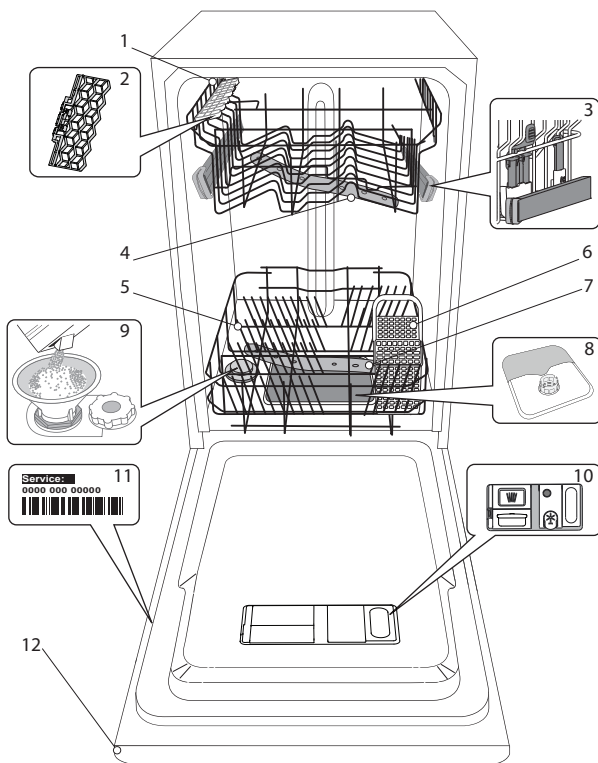
EFETUE A LEITURA DO CÓDIGO QR NO SEU APARELHO PARA OBTER INFORMAÇÕES MAIS DETALHADAS



⚠ Leia as Instruções de Segurança com atenção antes de usar o aparelho.

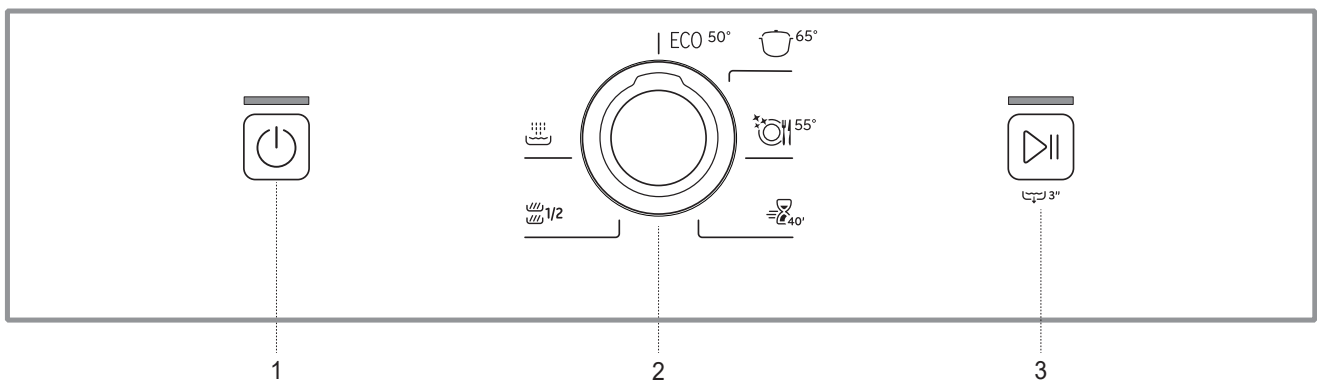
DESCRIÇÃO DO PRODUTO

APARELHO



1. Cesto superior
2. Abas dobráveis
3. Ajuste da altura do cesto superior
4. Braço aspersor superior
5. Cesto inferior
6. Cesto para os talheres
7. Braço aspersor inferior
8. Conjunto de filtros
9. Depósito de sal
10. Distribuidores de detergente e abrillantador
11. Chapa de características
12. Painel de comandos

PAINEL DE COMANDOS



1. Botão Ligar-Desligar/Reinicie com indicador luminoso
2. Botão seletor dos programas
3. Botão Início/Pausa com indicador luminoso/escoamento

PRIMEIRA UTILIZAÇÃO SAL, ABRILHANTADOR E DETERGENTE

CONSELHOS PARA A PRIMEIRA UTILIZAÇÃO

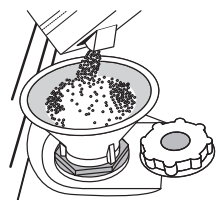
Após a instalação, retire os elementos de fixação dos cestos e os elementos de retenção elásticos do cesto superior.

ENCHER O DEPÓSITO DO SAL

A utilização de sal evita a formação de calcário na loiça e nos componentes funcionais da máquina.

- É obrigatório que **O DEPÓSITO DE SAL NUNCA ESTEJA VAZIO.**
- É importante definir a dureza da água.

O depósito do sal está localizado na parte inferior da máquina de lavar loiça e tem ser enchido quando o flutuador verde na tampa do depósito do sal deixar de ser visível.



1. Retire o cesto inferior e desaperte a tampa do depósito (no sentido contrário ao dos ponteiros do relógio).
2. **Apenas na primeira vez em que o fizer: encha o depósito de sal com água.**
3. Posicione o funil (ver a figura) e encha o depósito de sal até ao rebordo (aprox. 1 kg); é normal que saia alguma água.
4. Retire o funil e limpe qualquer resíduo de sal da abertura.

Certifique-se de que a tampa está bem apertada para que não entre detergente no depósito durante o programa de lavagem (tal pode danificar o amaciador de água de modo irreparável).

Se for necessário adicionar sal, é obrigatório executar o procedimento antes do início do ciclo de lavagem para evitar corrosão.

DEFINIR A DUREZA DA ÁGUA

Para que o amaciador de água funcione corretamente, é essencial que a definição de dureza da água tenha por base a dureza da água existente em sua casa. Pode obter esta informação consultando a empresa de abastecimento de água local.

A fábrica define o valor padrão para a dureza da água.

- Ligue a máquina premindo o botão **LIGAR/DESLIGAR.**
- Desligue a máquina premindo o botão **LIGAR/DESLIGAR.**
- Mantenha premido o botão **INÍCIO/PAUSA** durante 5 segundos.
- Ligue a máquina premindo o botão **LIGAR/DESLIGAR.**
- O **LED** do botão **LIGAR/DESLIGAR** piscará tantas vezes quanto o nível que foi definido.
- Defina a dureza da água pretendida utilizando o **BOTÃO SELETOR DE PROGRAMAS** (ver **TABELA DE DUREZA DA ÁGUA**).

Tabela de dureza da água				
Nível		°dH Graus Alemães	°fH Graus Franceses	°Clark Graus ingleses
1	ECO Macia	0 - 6	0 - 10	0 - 7
2	Média	7 - 11	11 - 20	8 - 14
3	Média	12 - 16	21 - 29	15 - 20
4	Dura	17 - 34	30 - 60	21 - 42
5	Muito dura	35 - 50	61 - 90	43 - 62

- Desligue a máquina premindo o botão **LIGAR/DESLIGAR.**

A definição está concluída!

Assim que este procedimento estiver concluído, execute um programa sem carregar qualquer loiça na máquina.

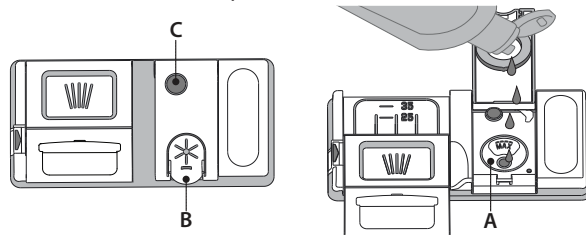
Utilize apenas sal especificamente concebido para máquinas de lavar loiça.

Se o depósito de sal não for enchido, o amaciador de água e o elemento de aquecimento podem ser danificados em resultado da acumulação de calcário.

A utilização de sal é recomendada com qualquer tipo de detergente para a máquina de lavar loiça.

ENCHER O DISTRIBUIDOR DE ABRILHANTADOR

O abrillantador facilita a SECAGEM da loiça. O distribuidor de abrillantador **A** deve ser enchido quando o indicador ótico escuro na tampa do distribuidor **C** se tornar transparente.



1. Abra o distribuidor **B** pressionando e puxando a patilha da tampa.
2. Encha cuidadosamente com abrillantador até ao entalhe de referência máximo (110 ml) da área de enchimento, evitando derramá-lo. Se isso acontecer, limpe imediatamente com um pano seco.
3. Pressione a tampa para baixo até ouvir um clique de fecho.

NUNCA deite o abrillantador diretamente na cuba da máquina.

AJUSTAR A DOSAGEM DE ABRILHANTADOR

Se não estiver completamente satisfeito(a) com os resultados da secagem, pode ajustar a quantidade de abrillantador utilizado.

- Ligue a máquina de lavar loiça com o botão **LIGAR/DESLIGAR.**

- Desligue-a com o botão **LIGAR/DESLIGAR.**

- Prima o botão **INÍCIO/PAUSA** três vezes.

- Ligue-a com o botão **LIGAR/DESLIGAR.**

- O **LED** do botão **INÍCIO/PAUSA** piscará tantas vezes quanto o nível que foi definido.

- Defina o nível de abrillantador a ser distribuído através do **BOTÃO SELETOR DE PROGRAMAS** (ver **TABELA DE PROGRAMAS**).

- Desligue-a com o botão **LIGAR/DESLIGAR**

A definição está concluída!

Se o nível de abrillantador estiver definido para 1 (ECO), não será distribuído abrillantador.

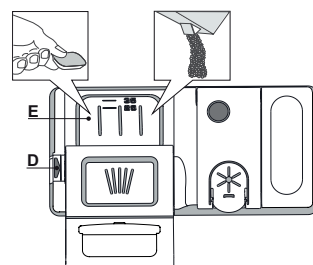
É possível definir um máximo de 5 níveis, de acordo com o modelo da máquina de lavar loiça. As definições de fábrica são específicas deste modelo, pelo que deverá seguir as instruções acima para utilizar corretamente a sua máquina de lavar loiça.

- Se a loiça possuir riscas azuladas, defina um nível baixo (2-3).

- Se existirem gotas de água ou marcas de calcário na loiça, defina um número alto (4-5).

ENCHER O DISTRIBUIDOR DE DETERGENTE

Para abrir o distribuidor de detergente, utilize o dispositivo de abertura D. Coloque o detergente apenas no distribuidor seco E. Coloque a quantidade de detergente para pré-lavagem diretamente na cuba.



1. Para dosear o detergente, consulte as informações anteriormente mencionadas para adicionar a quantidade correta. No interior do distribuidor **E**, existem indicações que ajudam a dosear o detergente.







2. Elimine os resíduos de detergente dos rebordos do distribuidor e feche a tampa até fazer clique.

3. Feche a tampa do distribuidor de detergente puxando-a para cima até que o dispositivo de fecho esteja fixo no devido local.

O distribuidor de detergente abre-se automaticamente no momento certo, de acordo com o programa.

A utilização de detergentes inapropriados para máquinas de lavar loiça poderá causar avarias ou danos no aparelho.

TABELA DE PROGRAMAS

Programa	Fase de secagem	Duração do programa de lavagem (h:min) ^{*)}	Consumo de água (litros/ciclo)	Consumo de energia (kWh/ciclo)
1 Eco  50°	✓	4:00	11,5	0,78
2 Intensivo  65°	✓	2:30	15,0	1,50
3 Mista  55°	✓	2:25	15,0	1,35
4 Rápido 40'  45°	-	0:40	8,0	0,90
5 Meia carga  50°	✓	1:15	11,0	0,90
6 Molhar  -	-	0:10	4,0	0,01

Os dados do programa ECO são avaliados em condições laboratoriais de acordo com a norma europeia EN 60436:2020.

Nota para os Laboratórios de Ensaio: para informações sobre as condições do ensaio comparativo EN, solicitar ao endereço: dw_test_support@whirlpool.com

Não é necessário efetuar qualquer tipo de pré-tratamento da loiça antes de iniciar os programas.

*) Os valores apresentados para todos os programas, à exceção do programa Eco, são meramente indicativos. O tempo real poderá variar dependendo de vários fatores, tais como a temperatura e a pressão da água de entrada, a temperatura ambiente, a quantidade de detergente, a quantidade e o tipo de carga, o equilíbrio da carga, as opções adicionais selecionadas e a calibragem do sensor. A calibragem do sensor pode aumentar a duração do programa até 20 min.

DESCRIÇÃO DOS PROGRAMAS

Instruções sobre a seleção do ciclo de lavagem.

1 ECO

O programa Eco é ideal para lavar loiça com um nível de sujidade normal, sendo o programa mais eficiente para o efeito em termos da sua utilização combinada de energia e de água e estando em conformidade com a legislação de conceção ecológica da UE.

2 INTENSIVO

Programa aconselhado para loiça muito suja, sendo particularmente indicado para tachos e panelas (não deve ser utilizado para objetos frágeis).

3 MISTA

Sujidade mista. Para loiça com um grau de sujidade normal, com restos de comida secos.

4 RÁPIDO 40'

Programa a ser utilizado para meia carga de loiça com sujidade ligeira, sem restos de comida secos. Não tem uma fase de secagem.

5 MEIA CARGA

Ideal para lavar metade da carga de loiça pouco suja ou normal.

6 MOLHAR

Utilizado para refrescar a loiça a ser lavada mais tarde. Neste programa não é utilizado detergente.

Notas:

Note que o ciclo de lavagem *Rápido 40'* destina-se à lavagem de loiça com sujidade ligeira.

OPÇÕES E FUNÇÕES

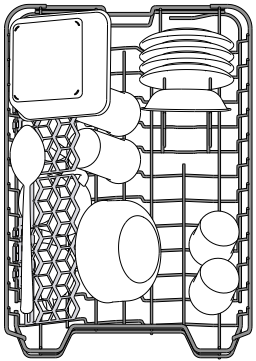
ESCOAMENTO

Para parar e cancelar o ciclo ativo, pode utilizar a função de escoamento.

Um longo premir do botão INÍCIO/PAUSA irá ativar a função ESCOAMENTO. O programa ativo será interrompido e a água da máquina de lavar loiça será escoada.

CARREGAR OS CESTOS

CESTO SUPERIOR



Carregue neste cesto a loiça frágil e leve: copos, chávenas, pires, tigelas.

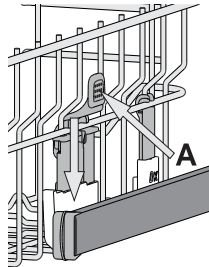
(exemplo de carga no cesto superior)

AJUSTAR A ALTURA DO CESTO SUPERIOR

É possível ajustar a altura do cesto superior: utilize uma posição mais elevada para colocar loiça mais volumosa no cesto inferior e uma posição mais baixa para aproveitar ao máximo os suportes rebatíveis, criando mais espaço superior e evitando o choque com os objetos colocados no cesto inferior.

O cesto superior está equipado com um **ajuste de altura do cesto superior** (consulte a figura); sem pressionar as alavancas, eleve o cesto segurando-o pelas partes laterais, logo que o cesto fique estável na posição superior.

Para voltar à posição inferior, pressione as alavancas **A** existentes nas partes laterais do cesto e desloque-o para baixo.



Recomendamos vivamente que não ajuste a altura do cesto quando este está carregado.

NUNCA eleve ou baixe o cesto apenas de um lado.

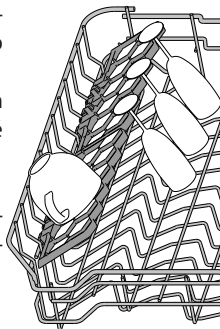
ABAS DOBRÁVEIS COM POSIÇÃO AJUSTÁVEL

As abas laterais podem ser dobradas ou desdobradas para otimizar a disposição da loiça dentro do cesto.

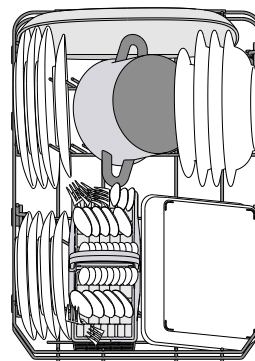
Os copos de vinho podem ser posicionados em segurança nas abas dobráveis, introduzindo o pé de cada copo nas ranhuras correspondentes.

Conforme o modelo:

- para desdobrar as abas, é necessário deslizá-las para cima e rodá-las ou soltá-las dos encaixes e puxá-las para baixo.
- para dobrar as abas, é necessário rodá-las e deslizá-las para baixo ou puxá-las para cima e encaixá-las nos respectivos encaixes.



CESTO INFERIOR



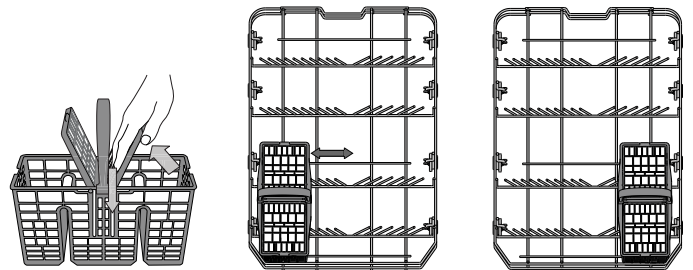
Para tachos, tampas, pratos, saladeiras, talheres, etc.. Os pratos e as tampas grandes devem ser colocados dos lados, a fim de evitar interferências com o braço aspersor.

(exemplo de carga para o cesto inferior)

CESTO PARA OS TALHERES

Está equipado com duas grelhas superiores para facilitar a disposição dos talheres.

Só pode ser posicionado na parte dianteira do cesto inferior.



As facas e os outros utensílios afiados têm de ser colocados no cesto dos talheres, com as extremidades voltadas para baixo ou horizontalmente nos compartimentos rebatíveis do cesto superior.

UTILIZAÇÃO DIÁRIA

1. VERIFICAR A LIGAÇÃO AO ABASTECIMENTO DE ÁGUA

Certifique-se de que a máquina de lavar loiça está ligada à rede de abastecimento de água e que a torneira está aberta.

2. LIGAR A MÁQUINA DE LAVAR LOIÇA

Prima o botão **LIGAR/DESLIGAR**.

3. CARREGAR OS CESTOS

(ver **CARREGAR OS CESTOS**)

4. ENCHER O DISTRIBUIDOR DE DETERGENTE

5. SELECIONAR UM PROGRAMA E PERSONALIZAR O CICLO

Selecione o programa mais adequado consoante o tipo de loiça e o nível de sujidade (ver **DESCRIÇÃO DOS PROGRAMAS**) rodando o **BOTÃO SELETOR DE PROGRAMAS** no sentido dos ponteiros do relógio. Selecione as opções pretendidas (ver **OPÇÕES E FUNÇÕES**).

6. INÍCIO DO CICLO DE LAVAGEM

Inicie o ciclo de lavagem premindo o botão **INÍCIO/PAUSA**.

7. FIM DO CICLO DE LAVAGEM

O fim do ciclo de lavagem é indicado pelo **LED LIGAR/DESLIGAR** aceso. Desligue a máquina premindo o botão **LIGAR/DESLIGAR** e abra a porta.

Aguarde alguns minutos antes de retirar os talheres, a fim de evitar queimaduras. Descarregue os cestos, começando pelo inferior.

A máquina desliga-se automaticamente durante períodos alargados de inatividade, a fim de reduzir o consumo de energia.

Se a loiça estiver apenas ligeiramente suja ou tiver sido passada por água antes de ser colocada na máquina de lavar loiça, diminua a quantidade de detergente utilizado em conformidade.

MODIFICAR UM PROGRAMA EM EXECUÇÃO

Se tiver sido selecionado um programa incorreto, é possível mudá-lo, desde que o mesmo tenha começado há pouco tempo: mantenha premido o botão **LIGAR/DESLIGAR**, a máquina irá desligar-se. Volte a ligar a máquina utilizando o botão **LIGAR/DESLIGAR** e selecione um novo ciclo de lavagem e as opções pretendidas; inicie o ciclo premindo o botão **INÍCIO/PAUSA**.

ADICIONAR MAIS LOIÇA

Sem desligar a máquina, abra a porta (**tenha cuidado com o vapor quente!**) e coloque a loiça no interior da máquina. Feche a porta e prima o botão **INÍCIO/PAUSA**; o ciclo começa no ponto em que foi interrompido.

INTERRUPÇÕES ACIDENTAIS

Se a porta for aberta durante o ciclo de lavagem, ou se houver um corte de energia, o ciclo para. Depois de a porta ser fechada ou de o abastecimento elétrico ser restabelecido, para voltar a iniciar o ciclo a partir do ponto em que foi interrompido, prima o botão **INÍCIO/PAUSA**.

CONSELHOS E SUGESTÕES

CONSELHOS

Antes de carregar os cestos, elimine todos os restos de comida da loiça e esvazie os copos. **Não é necessário passar previamente a loiça por água corrente.** Disponha a loiça de modo a que fique firme e não vire; disponha os recipientes com as aberturas voltadas para baixo e os elementos côncavos/convexos na diagonal, a fim de permitir que a água chegue a toda a superfície e flua facilmente.

Aviso: as tampas, as pegas, os tabuleiros e as frigideiras não impedem a rotação dos braços aspersores. Coloque os objetos pequenos no cesto dos talheres. A loiça e os tachos muito sujos devem ser colocados no cesto inferior, uma vez que nesta área a aspersão de água é mais intensa e permite obter melhores resultados de lavagem.

Depois de carregar a máquina, certifique-se de que os braços aspersores conseguem rodar livremente.

LOIÇA INADEQUADA

- Loiça e talheres de madeira.
- Copos frágeis com decoração, artesanato artístico ou loiça antiga. As decorações não são resistentes.
- Peças de material sintético que não resistam a temperaturas altas.
- Loiça de cobre e estanho.
- Loiça suja com cinza, cera, lubrificante ou tinta.

As cores das decorações de peças em vidro e as peças de alumínio/prata podem sofrer alterações e desbotar durante o processo de lavagem. Alguns tipos de vidro (por ex., cristal) podem ficar opacos após alguns ciclos de lavagem.

DANOS EM VIDRO E LOIÇA

- Coloque apenas vidros e porcelana que tenham garantia do fabricante como sendo adequados para lavagem na máquina de lavar loiça.
- Utilize um detergente suave adequado para loiça
- Retire os vidros e a loiça da máquina de lavar loiça assim que o ciclo de lavagem termine.

SUGESTÕES PARA POUPAR ENERGIA

- Se a máquina de lavar loiça for utilizada de acordo com as instruções do fabricante, **um ciclo de lavagem de loiça consome habitualmente MENOS ENERGIA e água do que uma lavagem manual da loiça.**
- Para maximizar a eficiência da máquina de lavar loiça, **recomenda-se que inicie o ciclo de lavagem assim que a máquina esteja totalmente carregada com loiça.** Ao carregar a máquina de lavar loiça até à capacidade máxima indicada pelo fabricante irá contribuir para poupar energia e água. Poderá encontrar informações sobre o carregamento correto da loiça na secção "CARREGAR OS CESTOS". Caso a máquina de lavar loiça seja carregada apenas parcialmente, recomenda-se que utilize as opções de lavagem dedicadas, se disponíveis (Meia carga/ Zone Wash/ Multizone), carregando loiça apenas nos cestos selecionados para o efeito. Carregar ou sobrecarregar incorretamente a máquina de lavar loiça pode aumentar o uso de recursos (como água, energia e tempo, além de aumentar o nível de ruído), reduzindo o desempenho de limpeza e de secagem.
- A pré-lavagem manual de loiça causa um aumento do consumo de água e de energia, não sendo, portanto, recomendada.

HIGIENIZAÇÃO

Para evitar odores e acumulação de sedimentos na máquina de lavar loiça, **execute um programa de temperatura elevada pelo menos uma vez por mês.** Utilize uma colher de chá de detergente e coloque a máquina a funcionar sem carga para efetuar a limpeza do aparelho.

LIMPEZA E MANUTENÇÃO

LIMPAR O CONJUNTO DE FILTROS

Limpe regularmente o conjunto de filtros para que os filtros não fiquem entupidos e para que a água residual flua corretamente.

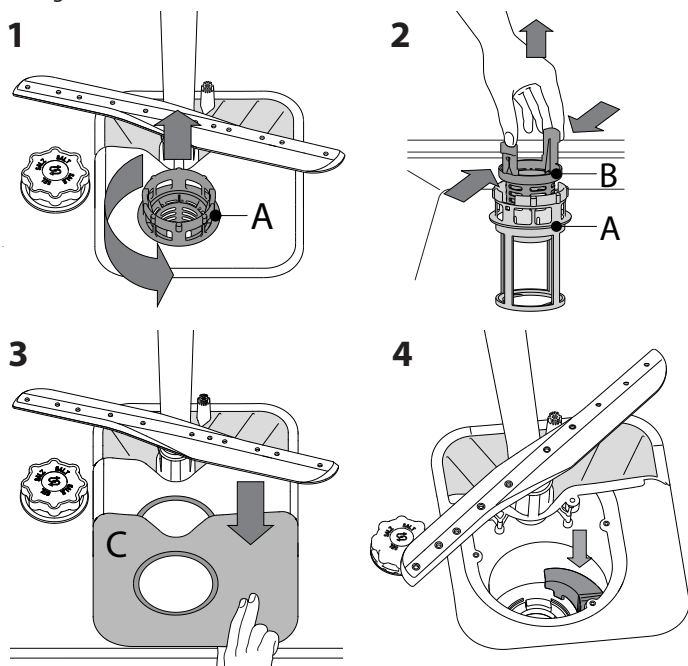
Ao utilizar a máquina de lavar loiça com filtros obstruídos ou objetos estranhos dentro do sistema de filtragem ou nos pulverizadores poderá causar o mau funcionamento da unidade, resultando numa perda de desempenho, num funcionamento ruidoso ou numa maior utilização de recursos.

O conjunto de filtros é composto por três filtros que eliminam os restos de comida da água de lavagem e fazem recircular a água: para obter os melhores resultados de lavagem é necessário limpá-los.

A máquina de lavar loiça não pode ser utilizada sem filtros ou com os filtros soltos.

Pelo menos uma vez por mês ou após cada 30 ciclos, verifique o conjunto de filtros e, se necessário, limpe-os muito bem em água corrente, utilizando uma escova não metálica e seguindo as instruções abaixo:

1. Rode o filtro cilíndrico **A** no sentido contrário ao dos ponteiros do relógio e retire-o (Fig. 1).
2. Retire a parte interna do filtro **B** exercendo uma ligeira pressão nas abas laterais (Fig. 2).
3. Faça deslizar para fora o filtro de aço inoxidável **C** (Fig. 3).
4. Caso encontre quaisquer objetos estranhos (tais como vidros e porcelana partidos, ossos de comida, sementes de frutos, etc.) remova-os cuidadosamente.
5. Inspeccione o coletor e retire quaisquer restos de comida. **NUNCA RETIRE** a proteção da bomba do ciclo de lavagem (elemento preto) (Fig. 4).



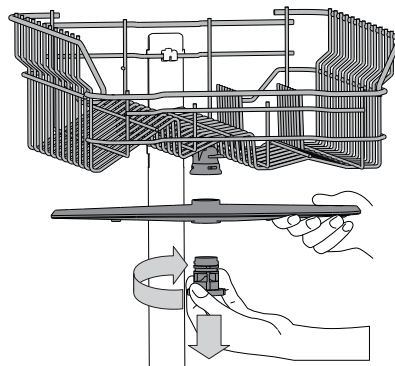
Depois de limpar os filtros, volte a colocar o conjunto de filtros e fixe-o corretamente na devida posição; isto é essencial para manter um funcionamento eficaz da máquina de lavar loiça.

LIMPAR A MANGUEIRA DE ENTRADA DE ÁGUA

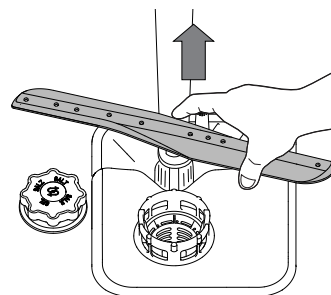
Se as mangueiras da água forem novas ou não tiverem sido utilizadas durante um longo período de tempo, deixe a água correr para garantir que estão desobstruídas e sem impurezas antes de efetuar as ligações necessárias. Se não tomar esta precaução, a entrada de água pode ficar obstruída e danificar a máquina de lavar loiça.

LIMPAR OS BRAÇOS ASPERSORES

Por vezes, os restos de comida podem acumular-se nos braços aspersores e bloquear os orifícios utilizados para pulverizar a água. Assim, recomenda-se que verifique periodicamente os braços e que os limpe com uma escova pequena não metálica.



Para retirar o braço aspersor superior, rode o anel de bloqueio de plástico no sentido dos ponteiros do relógio. O braço aspersor superior deve ser recolocado de modo a que o lado com mais orifícios fique voltado para cima.



É possível remover o braço aspersor inferior puxando-o para cima.

SISTEMA DE DESENDURECIMENTO DA ÁGUA

O descalcificador de água reduz automaticamente a dureza da água evitando, conseqüentemente, a acumulação de calcário no aquecedor, e contribuindo também para uma melhor eficiência de limpeza.

Este sistema regenera-se com sal, portanto, é necessário reabastecer o recipiente de sal sempre que este estiver vazio.

A frequência da regeneração depende da definição do nível de dureza da água - a regeneração ocorre uma vez a cada 5 ciclos Eco com uma definição de dureza da água de nível 3.

O processo de regeneração começa no ciclo de enxaguamento final e termina na fase de secagem, antes do término do ciclo.

- Uma única regeneração consome: ~3,5 litros de água;
- Demora até 5 minutos adicionais para o ciclo;
- Consome menos de 0,005 kWh de energia.

RESOLUÇÃO DE PROBLEMAS

Caso a sua máquina de lavar loiça não funcione corretamente, verifique se consegue resolver o problema através das soluções apresentadas na lista que se segue. Para outros erros ou problemas, entre em contacto com o Serviço de Pós-venda Autorizado, cujos detalhes de contacto podem ser encontrados no livrete da garantia. As peças sobressalentes estarão disponíveis por um período de até 7 ou até 10 anos, de acordo com os requisitos específicos do Regulamento.

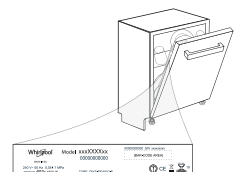
PROBLEMAS	CAUSAS POSSÍVEIS	SOLUÇÕES
A máquina de lavar loiça não começa a funcionar ou não responde aos comandos.	A máquina não está ligada corretamente.	Ligue a ficha à tomada.
	Corte de energia.	Por motivos de segurança, a máquina de lavar loiça não reinicia automaticamente quando a energia é reposta. Prima o botão INÍCIO/PAUSA para retomar o ciclo.
	A porta da máquina de lavar loiça não está fechada.	Empurre vigorosamente a porta até ouvir um "clique".
	O ciclo é interrompido com a abertura da porta durante > 4 segundos.	Feche a porta e prima INÍCIO/Pausa.
	A máquina não responde aos comandos.	Desligue a máquina premindo o botão LIGAR/DESLIGAR, volte a ligá-la passado cerca de um minuto e reinicie o programa. Se o problema persistir, desligue o aparelho durante 1 minuto e ligue-o novamente.
A máquina de lavar loiça não escoar a água.	O ciclo de lavagem ainda não terminou.	Aguarde até que o ciclo de lavagem termine.
	O tubo de escoamento está dobrado.	Certifique-se de que o tubo de escoamento não está dobrado (<i>consulte INSTRUÇÕES DE INSTALAÇÃO</i>).
	O tubo de escoamento do lava-loiça está obstruído.	Limpe o tubo de escoamento do lava-loiça.
	O filtro está obstruído com restos de comida.	Limpe o filtro (<i>ver LIMPAR O CONJUNTO DE FILTROS</i>).
A máquina de lavar loiça faz um ruído excessivo.	Os pratos estão a chocalhar entre si.	Disponha a loiça corretamente (<i>ver CARREGAR OS CESTOS</i>).
	Foi produzida uma quantidade excessiva de espuma.	O detergente não foi doseado corretamente ou não é adequado para utilização em máquinas de lavar loiça (<i>ver ENCHER O DISTRIBUIDOR DE DETERGENTE</i>). Reinicie a máquina de lavar loiça premindo o botão ESCOAR (<i>ver OPÇÕES E FUNÇÕES</i>) e execute o novo programa sem detergente.
A loiça não fica limpa.	A loiça foi disposta de forma incorreta.	Disponha a loiça corretamente (<i>ver CARREGAR OS CESTOS</i>).
	Os braços aspersores não conseguem rodar livremente, sendo impedidos pela loiça.	Disponha a loiça corretamente (<i>ver CARREGAR OS CESTOS</i>).
	O ciclo de lavagem é demasiado suave.	Selecione um ciclo de lavagem apropriado (<i>ver TABELA DE PROGRAMAS</i>).
	Foi produzida uma quantidade excessiva de espuma.	O detergente não foi doseado corretamente ou não é adequado para utilização em máquinas de lavar loiça (<i>ver ENCHER O DISTRIBUIDOR DE DETERGENTE</i>).
	A tampa do depósito de abrillantador não está bem fechada.	Certifique-se de que a tampa do distribuidor de abrillantador está fechada.
	O filtro está sujo ou obstruído.	Limpe o conjunto de filtros (<i>ver LIMPEZA E MANUTENÇÃO</i>).
	Não há sal.	Encha o depósito de sal (<i>ver ENCHER O DEPÓSITO DO SAL</i>).
A máquina de lavar loiça não se enche de água. Todos os LEDs estão piscando rapidamente.	Não há abastecimento de água ou a torneira está fechada.	Certifique-se de que há água ou que a torneira está aberta.
	A mangueira da entrada está dobrada.	Certifique-se de que a mangueira de entrada não está dobrada (<i>ver INSTALAÇÃO</i>), volte a programar a máquina e reinicialize-a.
	O filtro da mangueira de entrada de água está obstruído; é necessário limpá-lo.	Depois de efetuar a verificação e a limpeza, desligue a máquina de lavar loiça, volte a ligá-la e reinicie um novo programa.
A máquina de lavar loiça termina o ciclo prematuramente.	Drene a mangueira que está posicionada demasiado em baixo ou drene para o seu sistema de esgoto doméstico.	Verifique se a extremidade da mangueira de drenagem está colocada à altura correta (<i>consulte INSTALAÇÃO</i>). Verifique se existe um sifão no sistema de esgoto doméstico, instale a válvula de admissão de ar, se necessário.
	Existe ar no abastecimento de água.	Verifique se existem fugas de água ou outros problemas que causem a entrada de ar.



As políticas da empresa, documentação padrão, encomenda de peças sobressalentes e informações adicionais sobre o produto poderão ser consultadas em:

- Visitando a nossa página web docs.indesit.eu e parts-selfservice.whirlpool.com
- Utilizando o código QR
- Em alternativa, **contacte o nosso Serviço Pós-venda** (através do número de telefone contido no livrete da garantia). Ao contactar o nosso Serviço Pós-Venda, indique os códigos fornecidos na placa de identificação do seu produto.

A informação relativa ao modelo pode ser obtida utilizando o código QR indicado na etiqueta energética. A etiqueta inclui também o identificador do modelo, que pode ser utilizado para consultar o portal de registo em <https://eprel.ec.europa.eu>.



GHID DE REFERINȚĂ PENTRU UTILIZARE ZILNICĂ



VĂ MULȚUMIM CĂ AȚI ACHIZIȚIONAT UN PRODUS INDESIT. Pentru a beneficia de servicii complete de asistență, vă rugăm să vă înregistrați aparatul pe: www.indesit.com/register

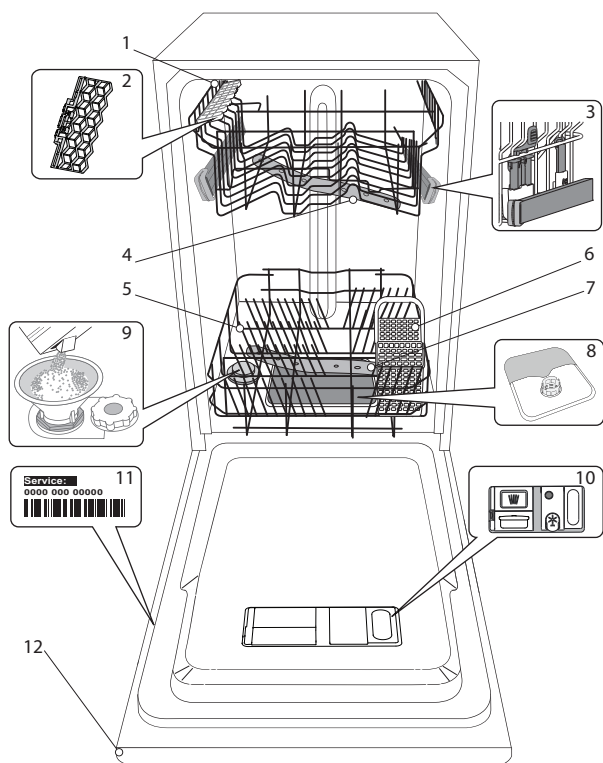
SCANATI CODUL QR DE PE APARATUL DUMNEAVOASTRĂ PENTRU A OBTINE INFORMAȚII MAI DETALIAȚE



⚠ Înainte de a utiliza aparatul, citiți cu atenție Instrucțiunile de siguranță.

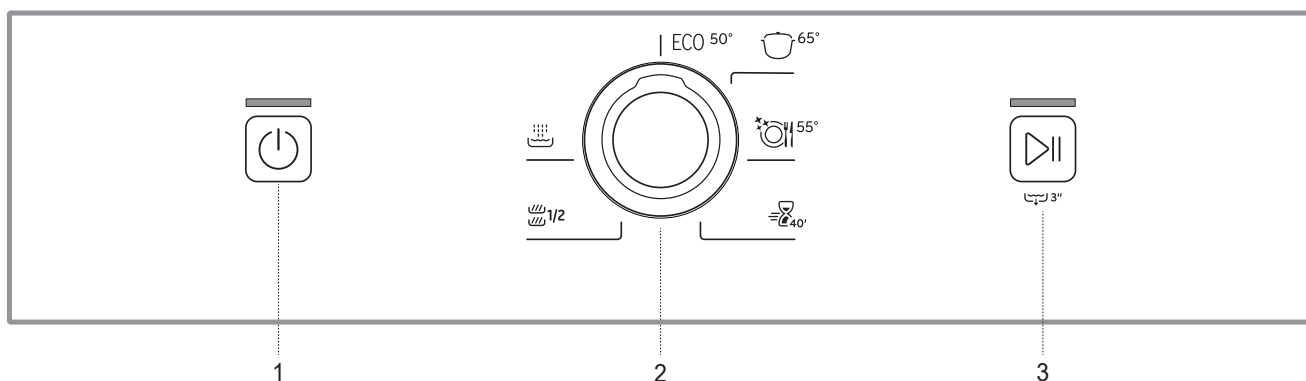
DESCRIEREA PRODUSULUI

APARATUL



1. Coșul superior
2. Clapete rabatabile
3. Mecanism de reglare a înălțimii raftului superior
4. Brațul de pulverizare superior
5. Coșul inferior
6. Coșul pentru tacâmuri
7. Brațul de pulverizare inferior
8. Ansamblu de filtre
9. Compartimentul pentru săruri
10. Dozatoare de detergent și agent de clătire
11. Plăcuța cu datele tehnice
12. Panoul de comandă

PANOU DE COMANDĂ



1. Buton Pornire/Oprire/Resetare cu indicator luminos
2. Buton de selectare a programelor
3. Buton Pornire/Pauză cu indicator luminos / Drenare

PRIMA UTILIZARE SĂRURI, AGENT DE CLĂTIRE ȘI DETERGENT

RECOMANDĂRI PRIVIND PRIMA UTILIZARE

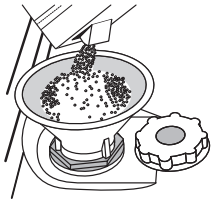
După instalare, demontați opritoarele rafturilor și elementele elastice de fixare a raftului superior.

UMPLEREA COMPARTIMENTULUI PENTRU SĂRURI

Utilizarea sărurilor previne formarea DEPUNERILOR DE CALCAR pe vase și pe componentele funcționale ale mașinii.

- Este obligatoriu ca **COMPARTIMENTUL PENTRU SĂRURI SĂ NU FIE NICIODATĂ GOL**.
- Este important să setați duritatea apei.

Compartimentul pentru săruri este amplasat în partea inferioară a mașinii de spălat vase (consultați *DESCRIEREA PRODUSULUI*) și trebuie umplut atunci când flotorul verde de pe capacul compartimentului pentru săruri nu mai este vizibil.



1. Demontați raftul inferior și desfiletați capacul compartimentului (în sens antiorar).
2. Numai la prima operațiune de acest fel: umpleți compartimentul pentru săruri cu apă.
3. Poziționați pâlnia (consultați figura) și umpleți compartimentul pentru săruri până la margine (aproximativ 1 kg); este perfect normal să curgă puțină apă în afară.
4. Scoateți pâlnia și ștergeți resturile de săruri de pe deschidere.

Asigurați-vă că este înfiletat bine capacul, astfel încât să nu intre detergent în compartiment în timpul programului de spălare (acest lucru poate avea avaria iremediabil instalația de dedurizare a apei).

Oricând trebuie să adăugați săruri, este obligatoriu să finalizați procedura înainte de a începe ciclul de spălare pentru a evita coroziunea.

SETAREA DURITĂȚII APEI

Pentru a permite instalației de dedurizare a apei să funcționeze perfect, este esențial ca setarea durității apei să se bazeze pe nivelul de duritate a apei din locuința dumneavoastră. Aceste informații pot fi obținute de la furnizorul local de apă.

Fabricantul setează valoarea implicită pentru duritatea apei.

- Porniți aparatul apăsând pe butonul **PORNIRE/OPRIRE**.
- Opriți aparatul apăsând pe butonul **PORNIRE/OPRIRE**.
- Țineți apăsat butonul **PORNIRE/PAUZĂ** timp de 5 secunde.
- Porniți aparatul apăsând pe butonul **PORNIRE/OPRIRE**.
- Lumina **LED-ului de PORNIRE/OPRIRE** se va aprinde intermitent de un număr egal cu cel al nivelului setat.
- Setează nivelul de duritate a apei utilizând **butonul de SELECTARE A PROGRAMELOR** (consultați *TABELUL CU NIVELURILE DE DURITATE A APEI*).

Nivel		°dH Grade germane	°fH Grade franceze	°Clark Grade engleze
1	ECO Moale	0 - 6	0 - 10	0 - 7
2	Medie	7 - 11	11 - 20	8 - 14
3	Normală	12 - 16	21 - 29	15 - 20
4	Dură	17 - 34	30 - 60	21 - 42
5	Foarte dură	35 - 50	61 - 90	43 - 62

- Opriți aparatul apăsând pe butonul **PORNIRE/OPRIRE**.

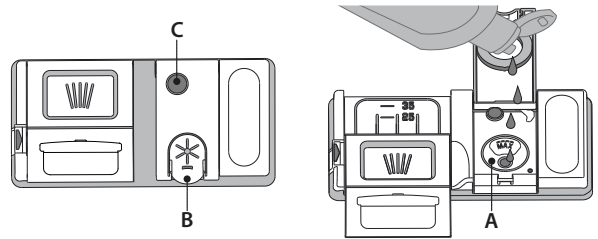
Setarea este finalizată!

După finalizarea acestei proceduri, rulați un program fără a încărca mașina. **Utilizați numai săruri concepute special pentru mașini de spălat vase. Dacă compartimentul pentru săruri nu este umplut, este posibilă deteriorarea instalației de dedurizare a apei și a rezistenței din cauza acumulării depunerilor.**

Se recomandă utilizarea sării indiferent de tipul de detergent pentru mașina de spălat vase.

UMPLEREA DOZATORULUI PENTRU AGENT DE CLĂTIRE

Agentul de clătire facilitează uscarea vaselor. Dozatorul pentru agentul de clătire **A** trebuie umplut atunci când indicatorul optic de culoare închisă de pe ușa **C** a dozatorului devine transparent.



1. Deschideți dozatorul **B** apăsând și trăgând în sus clapeta de pe capac.
2. Introduceți cu grijă agentul de clătire până la marcajul de referință maxim (110 ml) al spațiului de umplere - evitați scurgerile. În caz contrar, curățați imediat folosind o lavetă uscată.
3. Apăsăți capacul în jos până când auziți un clic de închidere. **Nu turnați NICIODATĂ agentul de clătire direct în cuvă.**

REGLAREA DOZEI DE AGENT DE CLĂTIRE

Dacă nu sunteți pe deplin mulțumit de rezultatele de uscare, puteți regla cantitatea de agent de clătire utilizat.

- Porniți mașina de spălat vase folosind butonul **PORNIRE/OPRIRE**.
- Opriți-o folosind butonul **PORNIRE/OPRIRE**.
- Apăsăți pe butonul **PORNIRE/PAUZĂ** de trei ori.
- Porniți mașina folosind butonul **PORNIRE/OPRIRE**.
- Lumina **LED-ului de PORNIRE/PAUZĂ** se va aprinde intermitent de un număr egal cu cel al nivelului setat.
- Setăți nivelul de agent de clătire care trebuie alimentat utilizând butonul de selectare a programelor (consultați *TABELUL CU PROGRAME*).
- Opriți mașina folosind butonul **PORNIRE/OPRIRE**.

Setarea este finalizată!

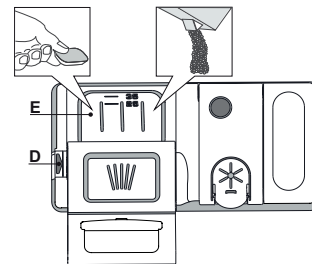
Dacă nivelul de agent de clătire este setat la 1 (ECO), nu se va alimenta cu agent de clătire.

Pot fi setate maxim 5 niveluri în conformitate cu modelul de mașină de spălat vase. Setarea din fabrică este specifică modelului, vă rugăm să respectați instrucțiunile de mai sus pentru a verifica setarea adecvată pentru mașina dumneavoastră.

- Dacă observați urme albastre pe vase, setați un număr mic (2-3).
- Dacă există urme de apă sau depuneri de calcar pe vase, setați un număr mare (4-5).

UMPLEREA DOZATORULUI DE DETERGENT

Utilizați dispozitivul de deschidere **D** pentru a deschide dozatorul de detergent. Introduceți detergentul numai în dozatorul uscat **E**. Introduceți cantitatea de detergent pentru prespălare direct în cuvă.








1. Atunci când măsurați cantitatea de detergent, consultați informațiile menționate anterior pentru a adăuga cantitatea corespunzătoare. În interiorul dozatorului **E** există indicații care vă pot ajuta la dozarea detergentului.
2. Îndepărtați resturile de detergent de pe marginile dozatorului și închideți sonor capacul.
3. Închideți capacul dozatorului de detergent trăgând în sus până când dispozitivul de închidere este fixat în poziție.

Dozatorul de detergent se deschide automat la momentul potrivit, în conformitate cu programul.

Utilizarea unui detergent care nu este conceput pentru mașinile de spălat vase poate provoca defecțiuni sau deteriorarea mașinii.

TABEL CU PROGRAME

Program	Durate de uscare	Durata programului de spălare (h:min) ^{*)}	Consum de apă (litri/ciclu)	Consum de energie (kWh/ciclu)	
1 Eco	ECO 50°	✓	4:00	11,5	0,78
2 Intensiv	 65°	✓	2:30	15,0	1,50
3 Amestecate	 55°	✓	2:25	15,0	1,35
4 Rapid 40'	 40' 45°	-	0:40	8,0	0,90
5 Încărcare pe jumătate	 1/2 50°	✓	1:15	11,0	0,90
6 Înmuiere	 -	-	0:10	4,0	0,01

Datele programului ECO sunt stabilite în condiții de laborator, în conformitate cu standardul european EN 60436:2020.

Notă pentru laboratoarele de testări: pentru informații privind condițiile testului comparativ EN, trimiteți o solicitare la adresa: dw_test_support@whirlpool.com

Nu este necesară tratarea în prealabil a vaselor înainte oricărui dintre aceste programe.

*) Valorile date pentru alte programe diferite de programul Eco sunt doar orientative. Durata actuală poate varia în funcție de o multitudine de factori, cum ar fi temperatura și presiunea apei la intrare, temperatura încăperii, cantitatea de detergent, dimensiunea și tipul încărcăturii, distribuția încărcăturii, opțiunile suplimentare selectate și calibrarea senzorului. Calibrarea senzorului poate mări durata programului cu până la 20 min.

DESCRIEREA PROGRAMELOR

Instrucțiuni privind selectarea ciclului de spălare.

1 ECO

Programul Eco este potrivit pentru curățarea tacâmurilor cu un grad mediu de murdărie, fiind cel mai eficient program pentru această utilizare din punct de vedere al consumului combinat de energie și apă și este utilizat pentru a evalua respectarea legislației UE de proiectare ecologică.

2 INTENSIV

Program recomandat pentru vase foarte murdare, adecvat în special pentru tigăi și cratițe (a nu se utiliza în cazul articolelor delicate).

3 AMESTECATE

Grade de murdărie mixte. Pentru vase cu grad normal de murdărie, cu resturi uscate de alimente.

4 RAPID 40'

Program utilizat pentru mașina încărcată pe jumătate cu vase cu grad redus de murdărie, fără resturi uscate de alimente. Nu are etapă de uscare.

5 ÎNCĂRCARE PE JUMĂTATE

Ideal pentru a spăla jumătate dintr-o încărcătură normală, de vase puțin murdare sau normal murdare.

6 ÎNMUIERE

Utilizat pentru a împrăști vasele care trebuie să fie spălate mai târziu. A nu se utiliza detergent cu acest program.

Note:

Vă rugăm să rețineți că ciclul Rapid 40' este destinat vaselor cu un grad redus de murdărie.

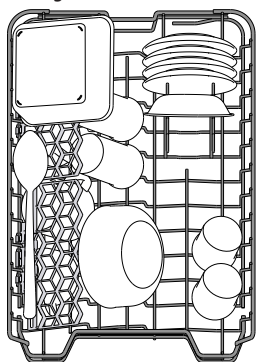
OPȚIUNI ȘI FUNCȚII

DRENARE

Pentru a opri și anula ciclul activ, puteți utiliza funcția Drenare. O apăsare lungă pe butonul PORNIRE/PAUZĂ va activa funcția DRENARE. Programul activ va fi oprit, iar apa din mașina de spălat vase va fi drenată.

ÎNCĂRCAREA RAFTURILOR

COȘUL SUPERIOR



Încărcați vasele delicate și ușoare: pahare, cești, farfurioare, boluri pentru salată puțin adânci.

(exemplu de încărcare pentru raftul superior)

REGLAREA ÎNĂLȚIMII RAFTULUI SUPERIOR

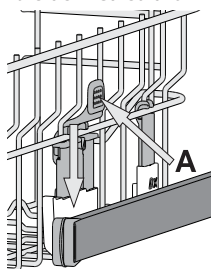
Înălțimea raftului superior poate fi reglată: în poziție înaltă pentru a introduce vesela voluminoasă pe raftul inferior și în poziție joasă pentru a profita din plin de suporturile rabatabile, creând mai mult spațiu în partea superioară și evitând ciocnirea cu articolele de pe raftul inferior.

Raftul superior este prevăzut cu un mecanism de **reglare a înălțimii raftului superior** (consultați figura); fără a apăsa pe manete, ridicați în sus ținând pur și simplu de părțile laterale ale raftului, și fixați imediat ce raftul este stabil în poziția de sus.

Pentru a reveni în poziția inferioară, apăsați pe manetele **A** din părțile laterale ale raftului și deplasați-l în jos.

Vă recomandăm cu insistență să nu reglați înălțimea raftului atunci când acesta este încărcat.

Nu ridicați și nu coborâți NICIODATĂ raftul numai pe o singură parte.

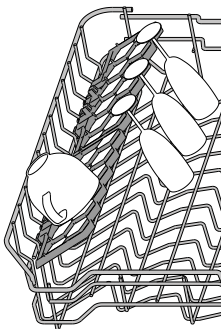


CLAPETE RABATABILE CU POZIȚIE REGLABILĂ

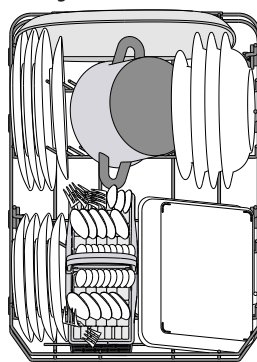
Clapetele rabatabile laterale pot fi pliate sau deplicate pentru a optimiza aranjarea vasei pe raft. Paharele pentru vin pot fi așezate în siguranță pe clapetele rabatabile, introducând picioarele acestora în fantele corespunzătoare.

În funcție de model:

- pentru a deplia clapetele, este necesar să le glisați în sus și să le rotiți sau să le eliberați din clemele de fixare, trăgându-le în jos.
- pentru a plia clapetele, este necesar să le rotiți și să le glisați în jos sau să le trageți în sus și să le fixați pe poziție.



COȘUL INFERIOR

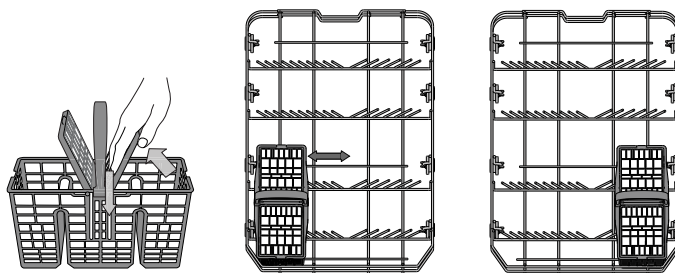


Pentru oale, capace, farfurii, boluri pentru salată, tacâmuri etc. În mod ideal, farfuriile și capacele mari trebuie amplasate în părțile laterale, pentru a se evita interferențele cu brațul de pulverizare.

(exemplu de încărcare pentru raftul inferior)

COȘUL PENTRU TACÂMURI

Este prevăzut cu grătare de înaltă calitate pentru dispunerea optimă a tacâmurilor. Acesta trebuie poziționat numai în partea din față a raftului inferior.



Cuțitele și alte ustensile cu margini ascuțite trebuie amplasate în coșul pentru tacâmuri cu vârfurile orientate în jos sau poziționate orizontal în compartimentele rabatabile ale raftului superior.

UTILIZAREA ZILNICĂ

- 1. VERIFICAREA RACORDĂRII LA REȚEAUA DE ALIMENTARE CU APĂ**
Verificați ca mașina de spălat vase să fie racordată la rețeaua de alimentare cu apă și ca robinetul să fie deschis.
- 2. PORNIREA MAȘINII DE SPĂLAT VASE**
Apăsați butonul de **PORNIRE/OPRIRE**.
- 3. ÎNCĂRCAREA RAFTURILOR**
(consultați **ÎNCĂRCAREA RAFTURILOR**)
- 4. UMLEREA DOZATORULUI DE DETERGENT**
- 5. SELECTAREA PROGRAMULUI ȘI PERSONALIZAREA CICLULUI**
Selectați cel mai adecvat program în conformitate cu tipul de veselă și gradul de murdărie al acesteia (consultați secțiunea **DESCRIEREA PROGRAMELOR**) utilizând **butonul de SELECTARE A PROGRAMELOR**. Selectați opțiunile dorite (consultați **OPȚIUNI ȘI FUNCȚII**).
- 6. START**
Porniți ciclul de spălare apăsând pe butonul **PORNIRE/PAUZĂ**.
- 7. TERMINAREA CICLULUI DE SPĂLARE**
Finalizarea ciclului de spălare este indicată al **LED-ului de PORNIRE/OPRIRE** aprins. Oprțiți aparatul apăsând butonul de **PORNIRE/OPRIRE** și deschideți ușa.
Așteptați câteva minute înainte de a scoate vesela pentru a evita producerea arsurilor.
Descărcați rafturile, începând cu cel inferior.

Mașina se va opri automat în timpul anumitor perioade prelungite de inactivitate, pentru a reduce consumul de electricitate.
Dacă vasele prezintă un grad redus de murdărie sau dacă au fost clătite cu apă înainte de a le introduce în mașina de spălat vase, reduceți în mod corespunzător cantitatea de detergent utilizat.

MODIFICAREA UNUI PROGRAM CARE RULEAZĂ

Dacă a fost selectat un program greșit, îl puteți schimba, cu condiția ca acesta abia să fi început: apăsați și mențineți apăsat butonul **PORNIRE/OPRIRE**, iar mașina se va opri.

Reporniți mașina folosind butonul **PORNIRE/OPRIRE** și selectați noul ciclu de spălare, precum și opțiunile dorite; porniți ciclul apăsând pe butonul **PORNIRE/PAUZĂ**.

ADĂUGAREA DE VASE SUPLIMENTARE

Fără a opri mașina, deschideți ușa (**atenție la aburii FIERBINȚII!**) și introduceți vesela în interiorul mașinii de spălat vase. Închideți ușa și apăsați pe butonul **PORNIRE/PAUZĂ**. Ciclul va fi reluat din punctul în care a fost întrerupt.

ÎNTRERUPERI ACCIDENTALE

Dacă ușa este deschisă în timpul ciclului de spălare sau dacă s-a produs o pană de curent, ciclul se oprește. Odată ce ușa este închisă sau dacă alimentarea cu energie electrică este restabilă, pentru a relua ciclul din punctul în care a fost întrerupt, apăsați pe butonul **PORNIRE/PAUZĂ**.

SFATURI ȘI RECOMANDĂRI

RECOMANDĂRI

Înainte de a încărca rafturile, eliminați toate resturile de alimente de pe vase și goliți paharele. **Nu este necesar să le clătiți în prealabil sub jet de apă curentă.**

Aranjați vesela astfel încât să fie bine poziționată și să nu se răstoarne; de asemenea, aranjați recipientele cu deschiderile în jos și așezați înclinat articolele concave/convexe, pentru a permite apei să ajungă pe orice suprafață și să curgă liber.

Avertisment: capacele, mânerurile, tăvile și tigăile nu trebuie să împiedice rotirea brațelor de pulverizare.

Amplasați articolele mici în coșul pentru tacâmuri. Vasele și cratițele foarte murdare trebuie așezate pe raftul inferior deoarece în această zonă jeturile de apă sunt mai puternice și se înregistrează performanțe mai mari de spălare. După încărcarea aparatului, asigurați-vă că brațele de pulverizare se pot roti liber.

VESELĂ NECORESPUNZĂTOARE PENTRU SPĂLAREA ÎN MAȘINĂ

- Veselă și tacâmuri din lemn.
- Pahare cu decorațiuni delicate, veselă artizanală și veselă antică. Aceste decorațiuni nu sunt rezistente la spălarea în mașina de spălat vase.
- Articole din material sintetic care nu sunt rezistente la temperaturi ridicate.
- Veselă din cupru și cositor.
- Veselă murdară de cenușă, ceară, unsoare sau cerneală.

Culorile decorațiunilor de pe articolele din sticlă și ale articolelor din aluminiu/argint se pot modifica și pot albi în timpul procesului de spălare. Unele tipuri de articole din sticlă (de exemplu, obiecte de cristal) pot deveni opace după câteva cicluri de spălare.

DETERIORAREA PAHARELOR ȘI A VESELEI

- Utilizați numai pahare și veselă din porțelan marcate de către producător ca fiind rezistente la spălarea în mașină.
- Utilizați un detergent delicat pentru veselă
- Scoateți paharele și vesela din mașina de spălat vase imediat ce ciclul de spălare este finalizat.

RECOMANDĂRI PRIVIND ECONOMISIREA DE ENERGIE

- Atunci când mașina de spălat vase este folosită conform instrucțiunilor producătorului, **spălarea tacâmurilor într-o mașină de spălat vase consumă de obicei MAI PUȚINĂ ENERGIE și apă decât spălarea manuală.**
- Pentru a crește la maximum eficiența mașinii de spălat vase, se recomandă **inițierea ciclului de spălare după ce mașina este încărcată complet.** Încărcarea mașinii de spălat vase de uz domestic până la capacitatea indicată de producător va contribui la economii de energie și apă. Informații despre încărcarea corectă a vaselor pot fi găsite în capitolul **ÎNCĂRCAREA RAFTURILOR**. În cazul încărcării parțiale, se recomandă utilizarea opțiunilor de spălare dedicate, dacă sunt disponibile (Half load/ Zone Wash/ Multizone), adăugând vase doar pe rafturile selectate. Încărcarea incorectă sau supraîncărcarea mașinii de spălat vase poate crește utilizarea resurselor (cum ar fi apa, energia și timpul, precum și nivelul de zgomot), reducând performanțele de curățare și uscare.
- Pre-clătirea manuală a vaselor duce la creșterea consumului de apă și energie și nu este recomandată.

IGIENĂ

Pentru a evita acumularea mirosurilor neplăcute și a sedimentelor în mașina de spălat vase, vă rugăm să rulați un program de temperatură ridicată cel puțin o dată pe lună. Folosiți o măsură de detergent și rulați un program fără a încărca vase pentru a curăța aparatul.

CURĂȚAREA ȘI ÎNTREȚINEREA

CURĂȚAREA ANSAMBLULUI DE FILTRE

Curățați în mod regulat ansamblul de filtre astfel încât filtrele să nu se înfunde și apa reziduală să fie evacuată în mod corespunzător.

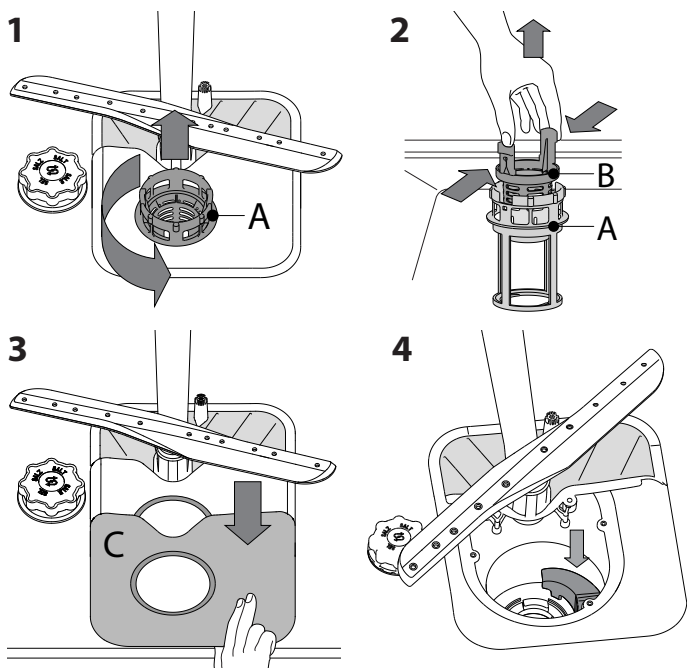
Utilizarea mașinii de spălat vase cu filtre înfundate sau obiecte străine în interiorul sistemului de filtrare sau al brațelor de pulverizare poate provoca defecțiuni ale unității, conducând la scăderea performanței, creșterea nivelului de zgomot sau utilizarea mai multor resurse.

Ansamblul de filtre este alcătuit din trei filtre care îndepărtează resturile de alimente din apa de spălare, permițând apoi recircularea acesteia.

Mașina de spălat vase nu trebuie utilizată fără filtre sau dacă un filtru este desprins.

Cel puțin o dată pe lună sau după fiecare 30 de cicluri, verificați ansamblul de filtre și, dacă este necesar, curățați-l temeinic sub jet de apă curantă, folosind o perie nemetalică și respectând instrucțiunile de mai jos:

1. Rotiți filtrul cilindric **A** în sens antiorar și scoateți-l afară (Fig 1).
 2. Demontați filtrul în formă de ceașcă **B** apăsând ușor pe clapetele laterale (Fig 2).
 3. Culisați în afară placa din oțel inoxidabil a filtrului **C** (Fig 3).
 4. În cazul în care găsiți obiecte străine (cum ar fi sticlă spartă, porțelan, oase, semințe de fructe etc.), vă rugăm să le îndepărtați cu atenție.
 5. Examinați obturațiile și îndepărtați resturile de alimente.
- NU DEMONTAȚI NICIODATĂ** protecția pompei acționate în timpul ciclului de spălare (componentă neagră) (Fig 4).



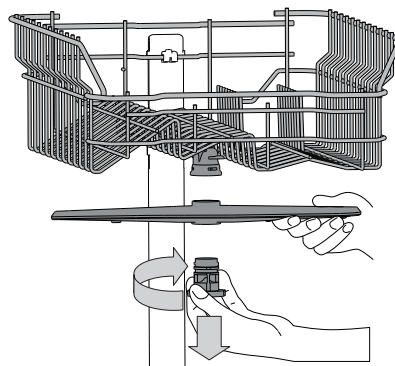
După curățarea filtrelor, montați la loc ansamblul de filtre și fixați-l în poziția corectă; acest lucru este esențial pentru menținerea funcționării eficiente a mașinii de spălat vase.

CURĂȚAREA FURTUNULUI DE ALIMENTARE CU APĂ

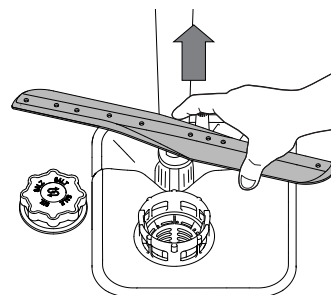
Dacă furtunurile pentru apă sunt noi sau dacă nu au fost utilizate o perioadă lungă de timp, lăsați apa să curgă pentru a vă asigura că acestea sunt curate și că nu prezintă impurități înainte de a efectua conexiunile necesare. Dacă nu luați măsurile de precauție necesare, furtunul de alimentare cu apă se poate bloca și poate deteriora mașina de spălat vase.

CURĂȚAREA BRAȚELOR DE PULVERIZARE

Ocazional, resturile de alimente se pot usca pe brațele de pulverizare și pot bloca orificiile de pulverizare a apei. Prin urmare, se recomandă să verificați brațele din când în când și să le curățați folosind o perie nemetalică mică.



Pentru a demonta brațul de pulverizare superior, rotiți inelul de fixare din plastic în sens orar. Brațul de pulverizare superior trebuie introdus astfel încât partea cu cele mai multe orificii să fie îndreptată în sus.



Brațul de pulverizare inferior poate fi demontat prin tragerea în sus.

SISTEMUL DE DEDURIZARE A APEI

Sistemul de dedurizare a apei reduce automat durezza apei, împiedicând astfel acumularea de depuneri pe încălzitor și contribuind, de asemenea, la creșterea eficienței de curățare.

Acest sistem se regenerează singur cu sare, de aceea este necesar să reumpleți recipientul pentru sare când este gol.

Frecvența regenerării depinde de setarea nivelului durezza apei - regenerarea are loc odată la 5 cicluri Eco cu nivelul durezza apei setat la 3. Procesul de regenerare începe la clătirea finală și se termină în faza de uscare, înainte de terminarea ciclului.

- Procesul de regenerare implică următorul consum: ~3.5 L de apă;
- Adaugă până la 5 minute suplimentare pe ciclu;
- Consumul de energie este sub 0,005 kWh.

REMEDIEREA PROBLEMELOR

În cazul în care mașina de spălat vase nu funcționează corect, verificați dacă problema poate fi remediată parcurgând lista de mai jos. Pentru alte erori sau probleme, vă rugăm să contactați serviciul de asistență tehnică post-vânzare autorizat, ale cărui date de contact pot fi găsite în certificatul de garanție. Piesele de schimb vor fi disponibile pentru o perioadă de până la 7 sau până la 10 ani, în conformitate cu cerințele normelor specifice.

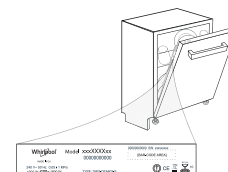
PROBLEME	CAUZE POSIBILE	SOLUȚII
Mașina de spălat vase nu pornește sau nu răspunde la comenzi.	Aparatul nu a fost conectat la priză în mod corespunzător.	Introduceți ștecherul în priză.
	Pană de curent.	Din motive de siguranță, mașina de spălat vase nu va reporni automat la restabilirea alimentării cu energie. Apăsăți pe butonul PORNIRE/Pauză pentru a relua ciclul.
	Ușa mașinii de spălat vase nu este închisă.	Împingeți ferm ușa până când auziți un „clic”.
	Ciclul este întrerupt prin deschiderea ușii timp de > 4 secunde.	Închideți ușa și apăsați pe butonul PORNIRE/Pauză.
Mașina de spălat vase nu evacuează apa.	Aparatul nu răspunde la comenzi.	Opriti aparatul apăsând pe butonul PORNIRE/OPRIRE, reporniți-l după aproximativ un minut și reporniți programul. Dacă problema persistă, deconectați aparatul timp de 1 minut, apoi conectați-l din nou.
	Încă nu s-a terminat ciclul de spălare.	Așteptați finalizarea ciclului de spălare.
	Furtunul de evacuare este îndoit.	Asigurați-vă că furtunul de evacuare nu este îndoit (<i>consultați INSTRUCȚIUNILE DE INSTALARE</i>).
	Conducta de evacuare a chiuvetei este blocată.	Curățați conducta de evacuare a chiuvetei.
Mașina de spălat vase produce zgomot excesiv.	Filtrul este înfundat cu resturi de alimente	Curățați filtrul (<i>consultați CURĂȚAREA ANSAMBLULUI DE FILTRE</i>).
	Vasele se lovesc unele de celelalte.	Aranjați corect vesela (<i>consultați ÎNCĂRCAREA RAFTURILOR</i>).
Vasele nu sunt curate.	S-a produs o cantitate excesivă de spumă.	Detergentul nu a fost măsurat corect sau nu este adecvat pentru utilizare în mașini de spălat vase (<i>consultați UMPLEREA DOZATORULUI DE DETERGENT</i>). Reporniți mașina de spălat vase apăsând pe butonul DRENARE (<i>consultați OPȚIUNI ȘI FUNCȚII</i>) și rulați noul program, fără detergent.
	Vesela nu a fost aranjată corespunzător.	Aranjați corect vesela (<i>consultați ÎNCĂRCAREA RAFTURILOR</i>).
	Brațele de pulverizare nu se pot roti liber, acestea fiind împiedicate de vase.	Aranjați corect vesela (<i>consultați ÎNCĂRCAREA RAFTURILOR</i>).
	Ciclul de spălare este prea lejer.	Selectați un ciclu de spălare corespunzător (<i>consultați TABELUL CU PROGRAME</i>).
	S-a produs o cantitate excesivă de spumă.	Detergentul nu a fost măsurat corect sau nu este adecvat pentru utilizare în mașini de spălat vase (<i>consultați UMPLEREA DOZATORULUI DE DETERGENT</i>).
	Capacul compartimentului pentru agent de clătire nu a fost închis corect.	Asigurați-vă că este închis capacul dozatorului pentru agent de clătire.
	Filtrul este murdar sau înfundat.	Curățați ansamblul de filtre (<i>consultați secțiunea ÎNGRUJIRE ȘI ÎNTREȚINERE</i>).
Mașina de spălat vase nu încarcă apă. Toate LED-urile clipesc rapid	Lipsește sărurile.	Umpleți compartimentul pentru săruri (<i>consultați UMPLEREA COMPARTIMENTULUI PENTRU SĂRURI</i>).
	Nu există apă în rețeaua de alimentare sau robinetul este închis.	Asigurați-vă că există apă în rețeaua de alimentare sau că robinetul este deschis.
	Furtunul de alimentare este îndoit.	Asigurați-vă că furtunul de alimentare nu este îndoit (<i>consultați INSTALARE</i>), reprogramați mașina de spălat vase și reporniți-o.
Mașina de spălat vase termină ciclul prematur.	Sita furtunului de alimentare cu apă este înfundată; aceasta necesită curățare.	După efectuarea controalelor și a curățării, opriti și porniți mașina de spălat vase, iar apoi rulați un program nou.
	Furtunul de evacuare este poziționat prea jos sau evacuează în sistemul de canalizare local.	Verificați dacă furtunul de evacuare este așezat la înălțimea corectă (<i>consultați secțiunea INSTALARE</i>). Verificați dacă evacuarea are loc în sistemul de canalizare local, instalați supapa de admisie a aerului, dacă este necesar.
	Aer în rețeaua de alimentare cu apă.	Verificați alimentarea cu apă pentru a vă asigura că nu există scurgeri sau alte probleme care lasă aerul să pătrundă în interior.



Puteți găsi politicile, documentația standard, informațiile despre comanda pieselor de schimb și informațiile suplimentare despre produs:

- Vizitând site-urile noastre web docs.indesit.eu și parts-selfservice.whirlpool.com
- Utilizând codul QR
- Ca alternativă, **contactați serviciul nostru de asistență tehnică post-vânzare** (consultați numărul de telefon din certificatul de garanție). Când contactați serviciul nostru de asistență tehnică post-vânzare, vă rugăm să precizați codurile specificate pe plăcuța cu date de identificare a produsului dumneavoastră.

Informațiile modelului pot fi accesate folosind codul QR indicat pe eticheta energetică. Eticheta include, de asemenea, identificatorul de model care poate fi utilizat pentru a consulta portalul de înregistrare la <https://eprel.ec.europa.eu>.



PRÍRUČKA PROBLÉMOV



ĎAKUJEME, ŽE STE SI KÚPILI VÝROBOK INDESIT.
Ak chcete získať komplexnejšiu pomoc a podporu,
zaregistrujte, prosím, svoj spotrebič na:
www.indesit.com/register

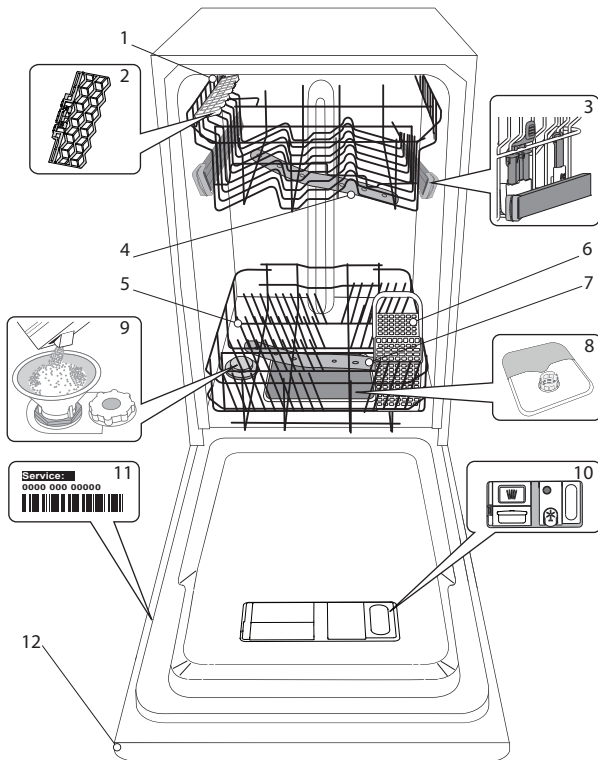
**PRE ZÍSKANIE PODROBNEJŠÍCH
INFORMACIÍ NASKENUJTE,
PROSÍM, QR KÓD NA VASOM
SPOTREBIČI.**



**⚠ Pred použitím spotrebiča si pozorne prečítajte
Bezpečnostné Pokyny.**

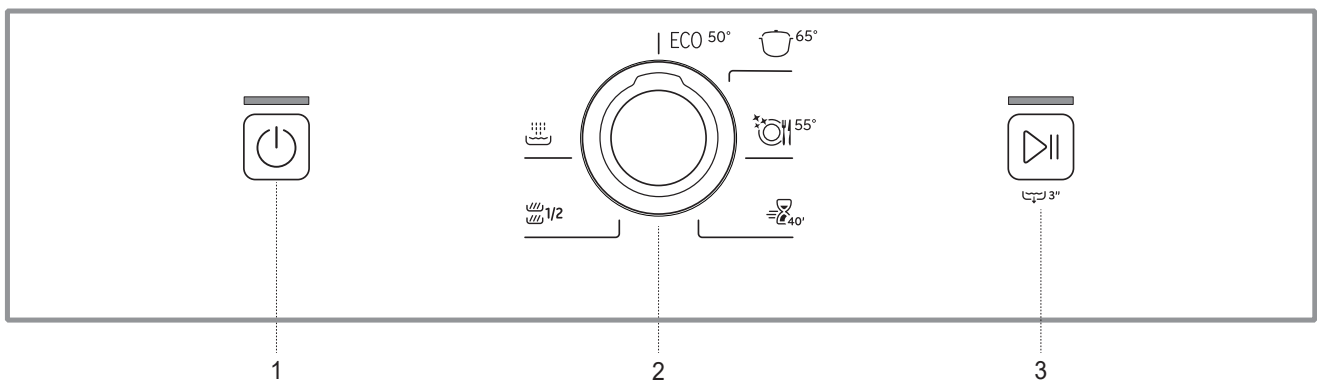
OPIS VÝROBKU

SPOTREBIČ



1. Vrchný kôš
2. Sklápacie klapky
3. Nastavovanie výšky vrchného koša
4. Horné umývacie rameno
5. Spodný kôš
6. Košík na príbor
7. Spodné umývacie rameno
8. Zostava filtra
9. Zásobník soli
10. Dávkovač umývacieho prostriedku a leštidla
11. Výrobný štítok
12. Ovládací panel

OVLÁDACÍ PANEL



1. Kontrolka vypínača Zap.–Vyp./ Resetovanie
2. Voliaci gombík programov
3. Tlačidlo Štart/Pauza s kontrolou / Vypúšťanie vody

PRVÉ POUŽITIE SOĽ, LEŠTIDLO A UMÝVACÍ PROSTRIEDOK

RADY PRI PRVOM POUŽITÍ

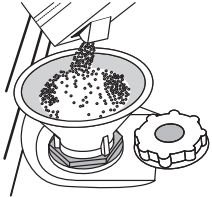
Po inštalovaní odstráňte zarážky na košoch a elastické oporné prvky z horného koša.

PLNENIE ZÁSObNÍKA SOLI

Používanie soli zabraňuje tvorbe vodného kameňa na riadoch a funkčných komponentoch umývačky.

- Je nevyhnutné, aby **ZÁSObNÍK SOLI NEBOL NIKDY PRÁZDNY**.
- Je dôležité nastaviť tvrdosť vody.

Zásobník soli sa nachádza v spodnej časti umývačky (pozri *OPIS VÝROBKU*) a musí byť naplnený, keď zelený plaváček na veku zásobníka soli už nevidieť.



1. Vyberte spodný kôš a odskrutkujte uzáver zásobníka (proti smeru hodinových ručičiek).
2. **Vykonáva sa len prvýkrát: zásobník soli naplňte vodou.**
3. Nasadte násypku (pozri obrázok) a naplňte zásobník až po okraj (približne 1 kg); je bežné, že trochu vody vytečie.
4. Vyberte násypku a zvyšky soli na otvore utrite.

Dbajte, aby bol uzáver pevne zatiahnutý, aby sa počas umývacieho programu nedostal do zásobníka umývacieho prostriedku (mohlo by to nenapraviteľne poškodiť zmäkčovač vody).

Aby sa zabránilo korózii, vždy keď potrebujete pridať soľ, musíte dokončiť postup pred začiatkom umývacieho cyklu.

NASTAVENIE TVRDOSTI VODY

Aby mohol zmäkčovač dokonale pracovať, je dôležité, aby bola tvrdosť vody nastavená podľa skutočnej tvrdosti vody vo vašej domácnosti. Túto informáciu môžete získať od miestneho dodávateľa vody.

Vo výrobe je nastavená štandardná hodnota tvrdosti vody.

- Zapnite spotrebič stlačením tlačidla **ZAP./VYP.**
- Vypnite spotrebič stlačením tlačidla **ZAP./VYP.**
- Na 5 sekúnd podržte tlačidlo **ŠTART/PAUZA**.
- Zapnite spotrebič stlačením tlačidla **ZAP./VYP.**
- **LED kontrolka ZAP./VYP.** blikne toľkokrát, aká úroveň bola nastavená.
- Nastavte želanú úroveň tvrdosti vody pomocou **gombíka VOĽBA PROGRAMOV** (pozri *TABUĽKA TVRDOSTI VODY*).

Tabuľka tvrdosti vody					
Úroveň		°dH Nemecké stupne	°fH Francúzske stupne	°Clark Anglické stupne	
1	ECO Mäkká	0 - 6	0 - 10	0 - 7	
2	Stredná	7 - 11	11 - 20	8 - 14	
3	Priemerná	12 - 16	21 - 29	15 - 20	
4	Tvrdá	17 - 34	30 - 60	21 - 42	
5	Veľmi tvrdá	35 - 50	61 - 90	43 - 62	

- Vypnite spotrebič stlačením tlačidla **ZAP./VYP.**

Nastavenie je hotové!

Po skončení tohto postupu spustíte program s prázdnu umývačkou.

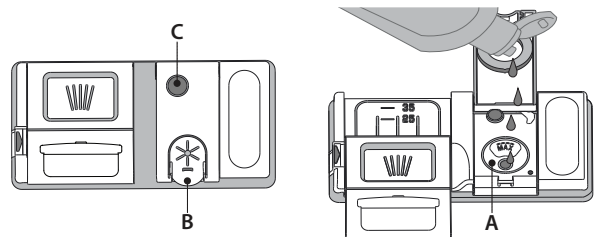
Používajte iba soľ určenú špeciálne do umývačiek.

Ak zásobník soli nenaplňte, zmäkčovač vody a ohrievacie teleso sa môžu poškodiť v dôsledku hromadenia vodného kameňa.

Použitie soli sa odporúča s akýmkoľvek typom umývacieho prostriedku do umývačky riadu.

PLNENIE DÁVKOVAČA LEŠTIDLA

Leštidlo uľahčuje SUŠENIE riadu. Dávkočič leštidla **A** by sa mal naplniť, keď tmavý optický ukazovateľ na dvierkach dávkočiča **C** začne byť priehľadný.



1. Otvorte dávkočič **B** stlačením a zdvihnutím držiaka na veku.
2. Opatrne nalejte leštidlo až po značku maximum (110 ml) v plniacom priestore – dbajte, aby ste ho nerozliali. Ak sa to stane, leštidlo ihneď utrite suchou handričkou.
3. Zatlačte veko, až počujete cvaknutie.

NIKDY nelejte leštidlo priamo do vaničky umývačky.

NASTAVENIE DÁVKOVANIA LEŠTIDLA

Ak nie ste celkom spokojní s výsledkom sušenia, môžete nastaviť množstvo použitého leštidla.

- Zapnite umývačku pomocou tlačidla **ZAP./VYP.**
- Vypnite ju pomocou tlačidla **ZAP./VYP.**
- Tri razy stlačte tlačidlo **ŠTART/PAUZA**.
- Zapnite ju pomocou tlačidla **ZAP./VYP.**
- **LED kontrolka ŠTART/PAUZA** blikne toľkokrát, aká úroveň bola nastavená.
- Nastavte množstvo leštidla, ktoré sa má pridávať, pomocou **gombíka VOĽBA PROGRAMOV** (pozri *TABUĽKA PROGRAMOV*).
- Vypnite ju pomocou tlačidla **ZAP./VYP.**

Nastavenie je hotové!

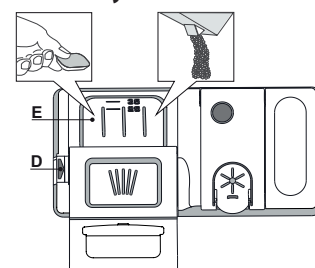
Ak je úroveň leštidla nastavená na 1 (EKO), nepridáva sa nijaké množstvo leštidla.

V závislosti od modelu umývačky možno nastaviť maximálne 5 úrovní. Nastavenie z výroby je špecifické pre tento model, dodržujte vyššie uvedené postupy a skontrolujte ho na vašej umývačke.

- Ak vidíte na riade modrasté pásiky, nastavte nízku hodnotu (2-3).
- Ak sú na riade kvapky vody alebo stopy po vodnom kameni, nastavte vysokú hodnotu (4-5).

PLNENIE DÁVKOVAČA UMÝVACIEHO PROSTRIEDKU

Dávkočič umývacieho prostriedku otvorte pomocou otváracieho zariadenia D. Umývacie prostriedok dávajte iba do suchého dávkočiča E. Umývacie prostriedok na predumývanie dajte priamo do vaničky.




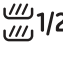



1. Pri odmeriavaní umývacieho prostriedku na riadte uvedenými informáciami, aby ste pridali správne množstvo. Vnútri dávkočiča **E** sa nachádzajú značky, ktoré pomôžu pri dávkovaní umývacieho prostriedku.
2. Odstráňte zvyšky umývacieho prostriedku z okrajov dávkočiča a až potom veko zatvorte, až sa ozve cvaknutie.
3. Zatvorte veko dávkočiča umývacieho prostriedku jeho nadvihnutím, až uzatváracie zariadenie zapadne na miesto.

Dávkočič umývacieho prostriedku sa automaticky otvorí v správnom čase podľa programu.

Ak používate čistiaci prostriedok, ktorý nie je určený na umývačky, môžete tým spôsobiť poruchu alebo poškodenie spotrebiča.

TABUĽKA PROGRAMOV

Program	Fáza sušenia	Trvanie umývacieho programu (h:min) ^{*)}	Spotreba vody (litre/cyklus)	Spotreba energie (kWh/cyklus)
1 Eko ECO 50°	✓	4:00	11,5	0,78
2 Intenzívny  65°	✓	2:30	15,0	1,50
3 Zmiešané  55°	✓	2:25	15,0	1,35
4 Rýchly 40'  45°	-	0:40	8,0	0,90
5 Polovičná náplň  50°	✓	1:15	11,0	0,90
6 Namočenie 	-	0:10	4,0	0,01

Údaje z programu EKO sú namerané v laboratórnych podmienkach podľa európskej normy EN 60436:2020.

Poznámka pre Skúšobné laboratóriá: O informácie o podmienkach vykonania komparatívnej skúšky EN môžete požiadať na adrese: dw_test_support@whirlpool.com

Príprava riadu pred umývaním nie je potrebná pri nijakom programe.

*) Hodnoty uvedené pri iných programoch ako Eko sú iba orientačné. Skutočný čas sa môže líšiť v závislosti od mnohých faktorov, ako sú teplota a tlak privádzanej vody, teplota v miestnosti, množstvo umývacieho prostriedku, množstvo a typ vloženého riadu, jeho rozloženie, ďalšie zvolené možnosti kalibrácia senzoru. Kalibrácia senzoru môže predĺžiť trvanie programu až o 20 minút.

OPIS PROGRAMOV

Pokyny pre výber umývacieho cyklu.

1 EKO

Program Eko je vhodný na umývanie bežne zašpineného kuchynského riadu, preto ide o najefektívnejší program na tento účel z hľadiska spotreby energie a vody, ktorý sa používa na stanovenie súladu s legislatívou Ecodesign v rámci EÚ.

2 INTENZÍVNY

Tento program sa odporúča pri silne znečistenom riade, vhodný je najmä na umývanie panvíc a kastrolov (nepoužívajte ho na krehký riad).

3 ZMIEŠANÉ

Rôzne špinavý riad. Na normálne znečistený riad so zaschnutými zvyškami jedla.

4 RÝCHLY 40'

Program, ktorý sa používa pri polovičnom naplnení mierne zašpineným riadom bez zaschnutých zvyškov jedla. Nemá fázu sušenia.

5 POLOVIČNÁ NÁPLŇ

Mierne alebo normálne zašpinený riad, pri polovici bežnej náplne.

6 NAMOČENIE

Na odmočenie riadu, ktorý sa bude umývať neskôr. Pri tomto programe sa nepoužíva umývací prostriedok.

Poznámky:

Upozorňujeme, že cyklus Rýchly 40' je určený na mierne zašpinený riad.

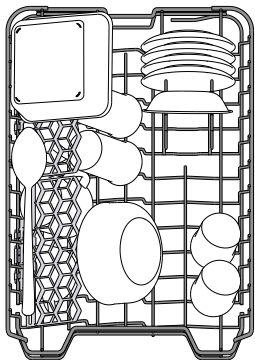
MOŽNOSTI A FUNKCIE

VYPÚŠŤANIE VODY

Na zastavenie a zrušenie aktívneho cyklu možno použiť funkciu vypúšťania vody. Dlhým stlačením tlačidla ŠTART/PAUZA sa funkcia vypúšťania vody aktivuje. Aktívny program sa zastaví a z umývačky sa vypustí voda.

UKLADANIE RIADU DO KOŠOV

VRCHNÝ KÔŠ



Ukladajte doň krehké a ľahké nádoby: poháre, šálky, tanieriky, nízke šalátové misky.

(príklad naplnenia vrchného koša)

NASTAVENIE VÝŠKY VRCHNÉHO KOŠA

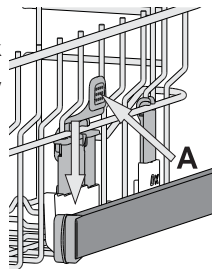
Výška vrchného koša je nastaviteľná: vysoká poloha umožňuje uložiť do spodného koša objemný riad a nízka poloha umožňuje čo najlepšie využiť opory proti prevráteniu vytvorením väčšieho miesta smerom nahor a vyhnúť sa tomu, aby riad narážal o veci v spodnom koši.

Vrchný koš je vybavený **nastavovačom výšky vrchného koša** (pozri obrázok), bez stláčania páčok ho jednoducho nadvihnite uchopením bočníc koša, len čo je koš v stabilnej hornej polohe.

Na vrátenie do spodnej polohy stlačte páčky **A** na bokoch koša a posuňte koš nadol.

V žiadnom prípade neodporúčame nastavovať výšku koša, keď je plný.

NIKDY nezdvíhajte ani nespúšťajte koš iba na jednej strane.

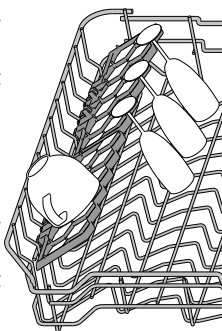


SKLÁPACIE KLAPKY S NASTAVITEĽNOU POLOHOU

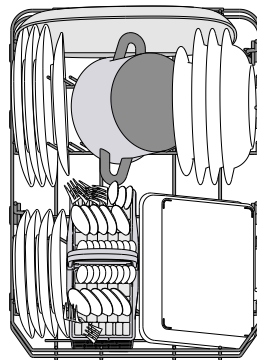
Postranní sklopné opěrky lze sklopit nebo vyklopit za účelem lepšího uspořádání nádobí v koši. Do sklopných opěrek je možno bezpečně umístit sklenice na víno, a to tak, že stopku každé z nich opěreme do příslušného vybrání.

Podle modelu:

- vyklopení opěrek: je třeba je posunout nahoru a otočit jimi nebo je uvolnit z příchytěk a zatáhnout směrem dolů;
- sklopení opěrek: je třeba jimi otočit a posunout je dolů, nebo je vytáhnout směrem nahoru a připnout do příchytěk.



SPODNÝ KÔŠ

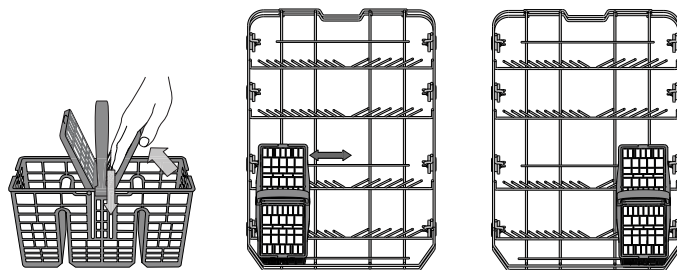


Na hrnce, pokrievky, taniere, šalátové misky, príbor a pod. Veľké taniere a pokrievky by mali byť uložené po bokoch, aby na ne ostrekovacie ramená nenašli.

(príklad naplnenia spodného koša)

KOŠÍK NA PRÍBOR

Je vybavený hornou mriežkou na lepšie rozloženie príboru. Musí byť uložený iba v prednej časti spodného koša.



Nože a ostatné kusy príboru s ostrými hrotmi treba uložiť do košíka na príbor hrotmi nadol, alebo musia byť uložené vodorovne v naklonených priehradkách na vrchom koši.

KAŽDODENNÉ POUŽÍVANIE

1. SKONTROLUJTE PRIPOJENIE K VODOVODU

Skontrolujte, či je spotrebič pripojený k vodovodnej sieti a či je otvorený vodovodný ventil.

2. ZAPNITE UMÝVAČKU

Stlačte tlačidlo **ZAP./VYP.**

3. ULOŽTE RIAD DO KOŠOV

(pozri UKLADANIE RIADU DO KOŠOV)

4. PLNENIE DÁVKOVAČA UMÝVACIEHO PROSTRIEDKU

5. ZVOLTE PROGRAM A UPRAVTE SI CYKLUS PODĽA ŽELANIA

Vyberte najvhodnejší program podľa typu nádob a stupňa zašpinenia (pozri OPIS PROGRAMOV) otáčaním **gombíka VOĽBY PROGRAMOV** doprava. Vyberte želané možnosti (pozri MOŽNOSTI A FUNKCIE).

6. ŠTART

Spustíte umývací cyklus stlačením tlačidla **ŠTART/PAUZA**.

7. UKONČENIE CYKLU UMÝVANIA

Na konci umývacieho cyklu sa **LED kontrolka ZAP./VYP.** Vypnite spotrebič stlačením tlačidla **ZAP./VYP.** a otvorte dvierka.

Niekoľko minút počkajte, aby ste sa nepopáliili, a potom nádoby vyberte. Vyložte riad z košov, začnite od spodného.

Po dlhšej dobe nečinnosti sa spotrebič automaticky vypne, aby sa minimalizovala spotreba elektrickej energie.

Ak je riad iba mierne znečistený, alebo bol pred vložením do umývačky opláchnutý vodou, primerane znížte množstvo umývacieho prostriedku.

ÚPRAVA PREBIEHAJÚCEHO PROGRAMU

Ak ste zvolili nesprávny program, je možné ho zmeniť, za podmienky, že sa iba začal: stlačte a podržte tlačidlo **ZAP./VYP.** a spotrebič sa vypne. Znova spotrebič zapnite pomocou tlačidla **ZAP./VYP.** a zvolte nový umývací cyklus a požadovanú možnosť; spustíte cyklus stlačením tlačidla **ŠTART/PAUZA**.

PRIDANIE ĎALŠÍCH NÁDOB

Bez vypnutia spotrebiča otvorte dvierka (**pozor na HORÚCU paru!**) a vložte nádoby do umývačky. Zatvorte dvierka a stlačte tlačidlo **ŠTART/PAUZA**, cyklus bude pokračovať od bodu, kde bol prerušený.

NÁHODNÉ PRERUŠENIA

Ak sa dvierka otvoria počas umývacieho cyklu alebo pri výpadku elektriny, cyklus sa zastaví. Po zatvorení dvierok alebo obnovení dodávky elektriny môžete cyklus znova spustiť od bodu prerušenia stlačením tlačidla **ŠTART/PAUZA**.

RADY A TIPY

TIPY

Pred naložením riadu do košov odstráňte všetky zvyšky jedla z nádob a vyprázdňte poháre. **Riad nemusíte vopred oplachovať pod tečúcou vodou.**

Uložte nádoby tak, aby sedeli pevne na mieste a neprevrátili sa; a uložte ich tak, aby boli otvorené nadol, a vypuklé časti, aby boli naklonené a voda sa tak mohla voľne dostať ku všetkým povrchom.

Pozor: veká, rúčky, podnosy a panvice na vysmážanie nesmú brániť otáčaniu ostrekovacích ramien.

Drobné veci ukladajte do košíka na príbor.

Veľmi špinavý riad a hrnce treba ukladať do spodného koša, lebo v tejto časti sú prúdy vody silnejšie a zvyšujú umývací výkon.

Po naplnení spotrebiča sa presvedčte, či sa ostrekovacie ramená môžu voľne otáčať.

NEVHODNÉ PREDMETY

- Drevené nádoby a príbor.
- Krehké zdobené poháre, umelecký ručne maľovaný a starožitný porcelán. Ich zdobenie nie je odolné.
- Časti z plastu, ktoré nie sú odolné voči vysokým teplotám.
- Medené a cínové nádoby.
- Riad zašpinený od popola, vosku, mazadiel alebo atramentu.

Farby ozdôb na skle a hliníkové/strieborné kusy sa môžu počas umývania meniť a vyblednúť. Niektoré typy skla (napr. krištáľové predmety) môžu po niekoľkých umytiach zmatnieť.

POŠKODENIE SKLA A PORCELÁNU

- Používajte iba sklo a porcelán, pri ktorých výrobca zaručuje, že ich možno bezpečne umývať v umývačke.
- Používajte jemný umývací prostriedok vhodný na porcelán
- Vytiahnite poháre a príbor z umývačky hneď po skončení umývacieho cyklu.

TIPY NA ÚSPORU ENERGIE

- Keď používate umývačku riadu do domácnosti v súlade s pokynmi výrobcu, **pri umývaní kuchynského riadu v umývačke sa spravidla spotrebuje MENEJ ENERGIE a vody ako pri ručnom umývaní riadu.**
- Na dosiahnutie maximálnej efektivity umývačky riadu sa odporúča **spustiť cyklus umývania až potom, čo bude kompletne naplnená.** Ak naložíte umývačku riadu až do kapacity uvedenej výrobcom, prispějete tým k úspore energie a vody. Informácie o správnom naložení riadu nájdete v kapitole s názvom NAKLADANIE KOŠOV. V prípade čiastočného naplnenia sa odporúča používať špecializované možnosti umývania (Polovičná náplň/Zónové umývanie/Multizónové umývanie), ak sú k dispozícii, a naplniť iba konkrétne koše. Pri nesprávnom alebo nadmernom naplnení sa môže zvýšiť spotreba umývačky (či už ide o spotrebu vody, energie, času alebo väčšiu mieru hluku), čo povedie k zníženiu výkonu pri umývaní a sušení.
- Manuálne predbežné oplachovanie kuchynského riadu má za následok zvýšenú spotrebu vody a energie, a preto sa neodporúča.

HYGIENA

Aby ste sa vyhli zápachu a usadeninám, ktoré sa môžu nahromadiť v umývačke, aspoň raz do mesiaca spustíte program s vysokou teplotou. Do prázdnej umývačky dajte čajovú lyžičku umývacieho prostriedku a pustite ju naprázdno, aby sa vyčistila.

STAROSTLIVOSŤ A ÚDRŽBA

ČISTENIE ZOSTAVY FILTRA

Zostavu filtra pravidelne čistite, aby sa filtre neupchali a odpadová voda mohla správne odtekať.

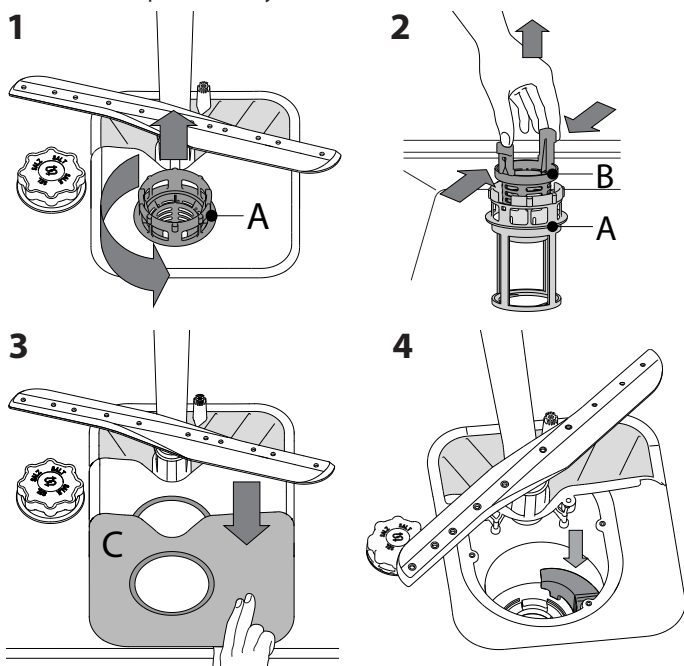
Ak používate umývačku riadu s upchatými filtermi alebo s cudzími telesami vo filtračnom systéme či v ostrekovacích ramenách, môže to spôsobiť poruchu s následným zhoršením výkonu, nárastom hluku alebo zvýšením spotreby.

Zostava filtra pozostáva z troch filtrov, ktoré odstraňujú zvyšky jedla z umývačky a potom vodu recirkulujú.

Umývačku nesmiete používať bez filtrov, alebo ak je filter uvoľnený.

Aspoň raz mesačne alebo zakaždým po 30 cykloch skontrolujte zostavu filtra a v prípade potreby ju pomocou nekovovej kefy dôkladne vyčistite pod tečúcou vodou podľa nižšie uvedených pokynov:

1. Otočte valcovým filtrom **A** proti smeru hodinových ručičiek a vytiahnite ho (obr. 1).
2. Vytiahnite vrchný filter **B** jemným zatlačením na bočné klapky (obr. 2).
3. Vyberte plechový filter z nehrdzavejúcej ocele **C** (obr. 3).
4. V prípade, že nájdete cudzie telesá (napr. úlomky skla, porcelánu, kostí, ovocné semená a pod.), **opatrne ich vyberte**.
5. Skontrolujte sifón a odstráňte zvyšky jedla. **NIKDY NEVYBERAJTE** ochranu čerpadla (čierny dielec) (obr. 4).



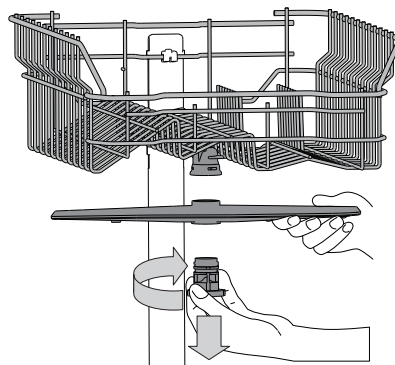
Po vyčistení filtrov zostavu filtrov vložte na miesto a zafixujte v správnej polohe; je to dôležité pre správnu činnosť umývačky.

ČISTENIE PRÍVODNEJ HADICE

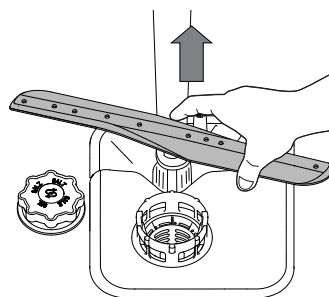
Ak sú hadice nové alebo sa dlhší čas nepoužívali, nechajte cez ne pretiecť vodu, aby ste sa ubezpečili, že sú priepustné a nenachádzajú sa v nich nečistoty, až potom ich pripojte. Ak tento krok vynecháte, prívod vody sa môže upchať a poškodiť umývačku.

ČISTENIE OSTREKOVACÍCH RAMIEN

Občas sa zvyšky jedla môžu zasušiť aj na ostrekovacích ramenách a zablokovať dierky, cez ktoré strieka voda. Preto sa odporúča občas ramená kontrolovať a čistiť ich malou nekovovou kefkou.



Horné ostrekovacie rameno odstránite pootočením plastového upevňovacieho krúžku v smere pohybu hodinových ručičiek. Vrchné rameno treba vymeniť tak, aby strana s väčším počtom dierok smerovala nahor.



Spodné ostrekovacie rameno možno vybrať potiahnutím nahor.

SYSTÉM NA ZMÄKČOVANIE VODY

Zmäkčovač vody automaticky znižuje tvrdosť vody, čím zároveň zabraňuje tvorbe vodného kameňa v ohrievači a prispieva k vyššej efektívnosti umývania.

Tento systém sa automaticky regeneruje pomocou soli, a preto je nutné pravidelne dopĺňať zásobník soli, keď bude prázdny.

Intervaly vykonávania regenerácie závisia od nastavenia tvrdosti vody – regenerácia sa vykonáva raz za 5 Eco cyklov, ak je tvrdosť vody nastavená na 3.

Proces regenerácie sa začne počas záverečného oplachovania a skončí sa počas fázy sušenia ešte predtým, než sa skončí celý cyklus.

- Pri regenerácii sa spotrebuje: približne 3,5 litra vody;
- Pridá k cyklu dodatočných 5 minút;
- Spotrebuje sa pri nej 0,005 kWh energie.

URIŠENIE PROBLÉMOV

Ak vaša umývačka riadnu nefunguje správne, zistite, či problém nemožno vyriešiť po konzultácii s nasledujúcim zoznamom. V prípade ďalších chýb a problémov sa obráťte na autorizovaný popredajný servis, pričom kontaktné údaje nájdete v záručnej knižke. Náhradné diely budú k dispozícii počas 7 alebo až 10 rokov podľa konkrétnych požiadaviek nariadení.

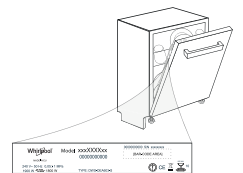
PROBLÉMY	MOŽNÉ PRÍČINY	RIEŠENIA
Umývačka sa nespúšťa a nereaguje na príkazy.	Spotrebič nie je riadne pripojený do elektrickej zásuvky.	Zastrčte zástrčku do zásuvky.
	Výpadok prúdu.	Z bezpečnostných dôvodov sa umývačka riadu automaticky nereštartuje po obnovení napájania. Ak chcete v cykle pokračovať, stlačte tlačidlo ŠTART/Pauza.
	Dvierka umývačky nie sú zatvorené.	Energicky dvierka zatlačte tak, aby ste počuli "cvaknutie".
	Po otvorení dverí na viac ako 4 sekundy sa cyklus preruší.	Zatvorte dvierka a stlačte tlačidlo ŠTART/Pauza
	Nereaguje na príkazy.	Vypnite spotrebič stlačením tlačidla ZAP./VYP., asi po minúte ho znova zapnite a reštartujte program. Ak problém pretrváva, odpojte spotrebič na 1 minútu a následne ho znova zapojte.
Z umývačky neodtiekla voda.	Umývací cyklus sa ešte neskočil.	Počkajte, kým sa umývací cyklus neskončí.
	Odtoková hadica je ohnutá.	Skontrolujte, či odtoková hadica nie je ohnutá (pozri NÁVOD NA INŠTALÁCIU).
	Odtokové potrubie drezu je upchaté.	Vyčistite odtokové potrubie drezu.
	Filter je upchatý zvyškami jedla	Vyčistite filter (pozri ČISTENIE ZOSTAVY FILTRA).
Umývačka vydáva nadmerný hluk.	Nádoby o seba hrkocú.	Uložte nádoby správne (pozri UKLADANIE RIADU DO KOŠOV).
	Tvorí sa nadmerné množstvo peny.	Umývací prostriedok nebol dávkovaný správne alebo nie je vhodný do umývačiek riadu (pozri PLNENIE DÁVKOVAČA UMÝVACIEHO PROSTRIEDKU). Reštartujte umývačku stlačením tlačidla VYPÚŠŤANIE (pozri MOŽNOSTI A FUNKCIE) a spustíte program bez umývacieho prostriedku.
Riad nie je čistý.	Riad nebol správne uložený.	Uložte nádoby správne (pozri UKLADANIE RIADU DO KOŠOV).
	Ostrekovacie ramená sa nemôžu voľne točiť, bránia im v tom kusy riadu.	Uložte nádoby správne (pozri UKLADANIE RIADU DO KOŠOV).
	Umývací cyklus je príliš jemný.	Vyberte príslušný umývací cyklus (pozri TABUĽKU PROGRAMOV).
	Tvorí sa nadmerné množstvo peny.	Umývací prostriedok nebol dávkovaný správne alebo nie je vhodný do umývačiek riadu (pozri PLNENIE DÁVKOVAČA UMÝVACIEHO PROSTRIEDKU).
	Veko priehradky na leštidlo nebolo správne uzavreté.	Presvedčte sa, či je veko dávkovača leštidla uzavreté.
	Filter je špinavý alebo upchatý.	Vyčistite zostavu filtrov (pozri STAROSTLIVOSŤ A ÚDRŽBA).
	Chýba soľ.	Naplňte zásobník soli (pozri PLNENIE ZÁSOBNÍKA SOLI).
Umývačka sa neplní vodou. Všetky LED diódy rýchlo blikajú.	V prívode nie je voda alebo je uzavretý ventil.	Presvedčte sa, či je v prívode voda a či tečie voda z kohútika.
	Prívodná hadica je ohnutá.	Presvedčte sa, či prívodná hadica nie je ohnutá (pozri kapitolu INŠTALÁCIA), znovu umývačku naprogramujte a spustíte.
	Sítka v prívodnej hadici na vodu je upchaté; je potrebné ho vyčistiť.	Po overení a vyčistení vypnite a zapnite umývačku a reštartujte nový program.
Umývačka riadu predčasne dokončí cyklus.	Odtoková hadica je umiestnená príliš nízko alebo voda odteká do domáceho odpadového systému.	Skontrolujte, či je koniec odtokovej hadice umiestnený v správnej výške (pozri kapitolu INŠTALÁCIA). Skontrolujte, či voda odteká do domáceho odpadového systému a v prípade potreby nainštalujte ventil na prívod vzduchu.
	V prívode vody je vzduch.	Skontrolujte, či prívod vody neprepúšťa alebo či dovnútra nevniká vzduch z iných dôvodov.



Firemné zásady, štandardnú dokumentáciu, objednávanie náhradných dielov a ďalšie informácie o produkte nájdete na:

- Našej webovej stránke docs.indesit.eu a parts-selfservice.whirlpool.com
- Pomocou QR kódu
- Prípadne **sa obráťte na náš popredajný servis** (Telefónne číslo nájdete v záručnej knižke).
- Pri kontaktovaní nášho popredajného servisu uveďte, prosím, kódy z výrobného štítku vášho spotrebiča.

Informácie o modele získate cez QR kód na energetickom štítku. Na štítku tiež nájdete identifikačné číslo modelu, ktoré môžete použiť na vyhľadávanie v registri na portáli <https://eprel.ec.europa.eu>.



UPUTSTVO ZA SVAKODNEVNU UPOTREBU



HVALA ŠTO STE KUPILI PROIZVOD KOMPANIJE INDESIT. Kako biste dobili kompletniju podršku, molimo da registrujete Vaš uređaj nae: www.whirlpool.eu/register

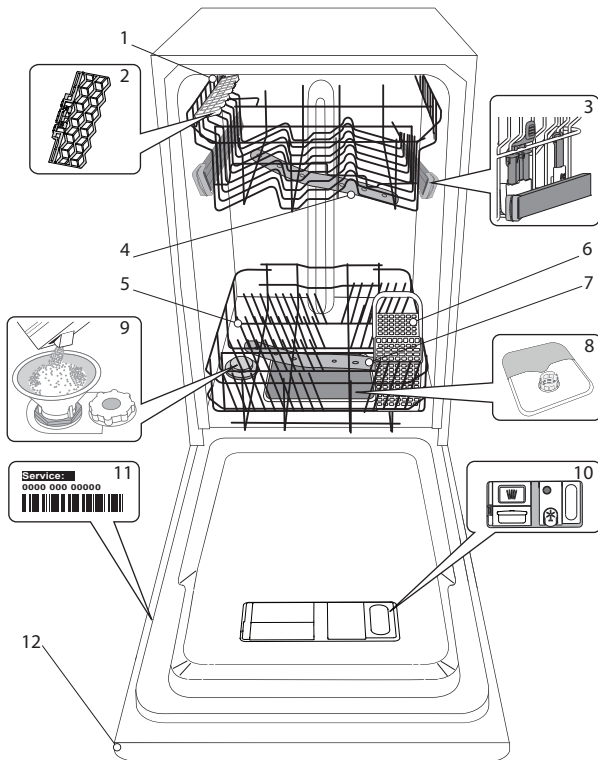
SKENIRAJTE QR KOD NA SVOM UREĐAJU DA BISTE DOBILI DETALJNIJE INFORMACIJE



⚠ Pre korišćenja uređaja pažljivo pročitajte Bezbednosna Uputstva.

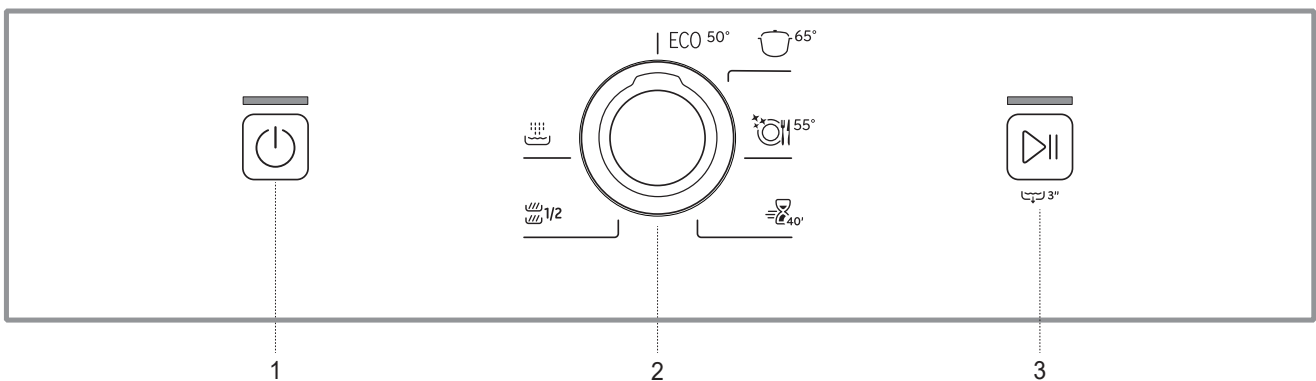
OPIS PROIZVODA

UREĐAJ



1. Gornja korpa
2. Sklopiva krilca
3. Podešivač visine gornje korpe
4. Gornja prskalica
5. Donja korpa
6. Korpa za pribor za jelo
7. Donja prskalica
8. Sklop filtera
9. Rezervoar za so
10. Posude za deterdžent i sredstvo za ispiranje
11. Natpisna pločica
12. Kontrolna tabla

KONTROLNA TABLA



1. Dugme za uključivanje-isključivanje/ponovno podešavanje sa svetlosnim indikatorom
2. Dugme za biranje programa
3. Dugme za početak/pauzu sa svetlosnim indikatorom/oticanje vode

PRVA UPOTREBA SO, SREDSTVO ZA ISPIRANJE I DETERDŽENT

SAVETI U VEZI SA PRVOM UPOTREBOM

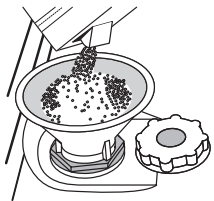
Nakon ugradnje, uklonite zapušače sa korpi i elastične elemente za zadržavanje sa gornje korpe.

PUNJENJE REZERVOARA ZA SO

Upotreba soli sprečava stvaranje KAMENCA na posudu i na funkcionalnim komponentama mašine.

- Obavezno je **DA REZERVOAR ZA SO NIKADA NE BUDE PRAZAN.**
- Važno je podesiti tvrdoću vode.

Rezervoar za so se nalazi u donjem delu mašine za sudove (vidite OPIS PROIZVODA) i mora se puniti kada se zeleni plovač na zatvaraču rezervoara za so više ne vidi.



1. Uklonite donju korpu i odvrnite poklopac rezervoara (u smeru suprotnom od smera kretanja kazaljke na satu).
2. **Samo prvi put kada ovo radite: napunite rezervoar za so vodom.**
3. Postavite levak (vidite sliku) i napunite rezervoar za so do ivice (oko 1 kg); nije neuobičajeno da malo vode iscuri.
4. Uklonite levak i obrišite ostatke soli sa otvora.

Vodite računa da poklopac bude čvrsto zavijen, tako da deterdžent ne može da uđe u posudu tokom programa pranja (to može da ošteti omekšivač za vodu tako da se ne može popraviti).

Kad god je potrebno da dodate so, obavezno je da obavite proceduru pre početka ciklusa pranja da bi se izbegla korozija.

PODEŠAVANJE TVRDOĆE VODE

Da bi omekšivač za vodu radio kako treba, neophodno je da tvrdoća vode bude podešena na osnovu stvarne tvrdoće vode u vašoj kući. Ove informacije možete dobiti od lokalnog snabdevača vodom. Vo výrobe je nastavená štandardná hodnota tvrdości vody.

- Uključite uređaj pritiskom na dugme **UKLJUČI/ISKLJUČI.**
- Isključite uređaj pritiskom na dugme **UKLJUČI/ISKLJUČI.**
- Zadržite dugme **POČETAK/PAUZA** 5 sekundi.
- Uključite uređaj pritiskom na dugme **UKLJUČI/ISKLJUČI.**
- **LED svetlo dugmeta UKLJUČI/ISKLJUČI** svetli onoliko puta kao i nivo koji je postavljen.
- Izaberite željeni nivo tvrdoće vode pomoću **dugmeta BIRANJE PROGRAMA** (videti TABELU TVRDOĆE VODE).

Tabela tvrdoće vode					
Nivo		°dH nemački stepeni	°fH francuski stepeni	°Clark engleski stepeni	
1	ECO Meka	0 - 6	0 - 10	0 - 7	
2	Srednja	7 - 11	11 - 20	8 - 14	
3	Prosečna	12 - 16	21 - 29	15 - 20	
4	Tvrda	17 - 34	30 - 60	21 - 42	
5	Veoma tvrda	35 - 50	61 - 90	43 - 62	

- Isključite uređaj pritiskom na dugme **UKLJUČI/ISKLJUČI**

Podešavanje je završeno!

Čim se ovaj postupak završi, pokrenite program bez punjenja.

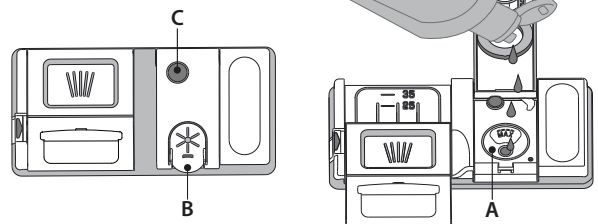
Koristite samo so koja je posebno napravljena za mašine za pranje sudova.

Ako rezervoar za so nije pun, može doći do oštećenja omekšivača vode i grejača usled nagomilavanja kamenca.

Korišćenje soli se preporučuje sa bilo kojom vrstom deterdženta za mašinu za pranje sudova.

PUNJENJE POSUDA ZA SREDSTVO ZA ISPIRANJE

Sredstvo za ispiranje olakšava SUŠENJE posuda. Rezervoar za sredstvo za ispiranje **A** treba da se napuni kada tamni optički indikator na vratima rezervoara **C** postane proziran.



1. Otvorite posudu **B** tako što ćete pritisnuti i povući na gore jezičak na poklopcu.
2. Pažljivo sipajte sredstvo za ispiranje do oznake za maksimum (110 ml) na prostoru za punjenje - izbegavajte prosipanje. Ako se to dogodi, odmah obrišite prosuto suvom krpom.
3. Pritisnite poklopac dok se ne začuje zvuk škljocanja.

NIKADA ne sipajte sredstvo za ispiranje direktno u kadicu.

PODEŠAVANJE DOZIRANJA SREDSTVA ZA ISPIRANJE

Ako niste u potpunosti zadovoljni rezultatima sušenja, možete da podesite količinu sredstva za ispiranje koja se koristi.

- Uključite mašinu za pranje sudova pomoću dugmeta **UKLJUČI/ISKLJUČI.**
- Isključite je pomoću dugmeta **UKLJUČI/ISKLJUČI.**
- Pritisnite dugme **POČETAK/PAUZA** tri puta.
- Uključite je pomoću dugmeta **UKLJUČI/ISKLJUČI.**
- **LED svetlo dugmeta POČETAK/PAUZA** svetli onoliko puta kao i nivo koji je postavljen.
- Podesite nivo za količinu sredstva za ispiranje pomoću **dugmeta BIRANJE PROGRAMA** (videti TABELU PROGRAMA).
- Isključite pomoću dugmeta **UKLJUČI/ISKLJUČI.**

Podešavanje je završeno!

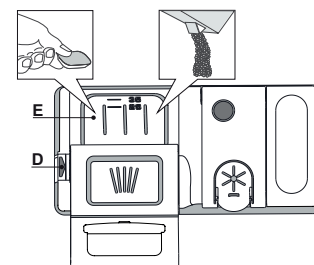
Ako je nivo sredstva za ispiranje podešen na 1 (ECO), sredstvo za ispiranje se neće koristiti.

Mogu se podesiti maksimalno 5 nivoa u zavisnosti od modela mašine za pranje sudova. Fabričko podešavanje zavisi od modela, sledite gorenavedena uputstva da biste proverili za svoju mašinu.

- Ako vidite plavičaste tragove na posudu, podesite nizak broj (2-3).
- Ako na posudu ima kapljica vode ili tragova kamenca, podesite visok broj (4-5).

PUNJENJE POSUDE ZA DETERDŽENT

Za otvaranje posude za deterdžent koristite uređaj za otvaranje D. Deterdžent sipajte samo u suhu posudu E. Deterdžent za pretpranje sipajte direktno u kadicu.




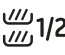



1. Za odmeravanje deterdženta pogledajte prethodno pomenute informacije kako biste sipali odgovarajuću količinu. U posudi **E** nalaze se oznake koje vam mogu pomoći u doziranju deterdženta.
2. Uklonite ostatke deterdženta sa ivica posuda pre nego što i zatvorite poklopac dok se ne začuje zvuk škljocanja.
3. Zatvorite poklopac posude za deterdžent povlačenjem na gore dok uređaj za zatvaranje ne bude čvrsto na mestu.

Posuda za deterdžent se automatski otvara u odgovarajućem trenutku u skladu sa programom.

Korišćenje deterdžente koji nije namenjen za mašine za pranje sudova može da izazove kvar ili oštećenje uređaja.

TABELA SA PROGRAMIMA

Program	Sušenje faza	Trajanje programa za pranje (h:min) ^{*)}	Potrošnja vode (litri/ciklus)	Potrošnja energije (kWh/ciklus)	
1 Eko	ECO 50°	✓	4:00	11,5	0,78
2 Intenzivan	 65°	✓	2:30	15,0	1,50
3 Mešano	 55°	✓	2:25	15,0	1,35
4 Brzi 40'	 45°	-	0:40	8,0	0,90
5 Polupuno	 50°	✓	1:15	11,0	0,90
6 Potapanje	 -	-	0:10	4,0	0,01

Podaci programa EKO su mereni u laboratorijskim uslovima u skladu sa evropskim standardom EN 60436:2020.

Napomena za laboratorije za testiranje: za informacije na uslove komparativnog ispitivanja EN, pogledajte adresa: dw_test_support@whirlpool.com

Prethodno tretiranje posuđa nije potrebno ni za jedan program.

*) Vrednosti koje su date za programe koji nisu Eko program su samo pokazne. Stvarno vreme može da varira u zavisnosti od mnogih faktora kao što su temperatura, količina deterdženta, količina i vrsta posuđa, balansiranje posuđa, dodatne izabrane opcije i kalibracija senzora. Kalibracija senzora može da poveća trajanje programa do 20 min.

OPIS PROGRAMA

Uputstva za biranje ciklusa pranja.

1 EKO

Eco program je podesan za pranje umereno zaprljanog posuđa, i u tu svrhu je ovo najefikasniji program u pogledu kombinovane potrošnje energije i vode i da se koristi za procenu usklađenosti sa propisima EU za ekološki dizajn

2 INTENZIVAN

Program preporučan za jako zaprljano posuđe, naročito za tiganje i šerpe (ne koristiti za osetljivo posuđe).

3 MEŠANO

Različito uprljano posuđe. Za normalno zaprljano posuđe sa sasušanim ostacima hrane.

4 BRZI 40'

Program za korišćenje sa polupunom mašinom ili sa blago zaprljanim posuđem bez sasušanih ostataka hrane. Nema faze sušenja.

5 POLUPUNO

Idealan za pranje polupune mašine sa blago ili normalno zaprljanim posuđem.

6 POTAPANJE

Koristi se za osvežavanje keramičkog posuđa koje će se kasnije oprati. Za ovaj program se ne koristi deterdžent.

Napomene:

Imajte u vidu da je ciklus Brzi 30' namenjen za blago zaprljano posuđe.

OPCIJE I FUNKCIJE

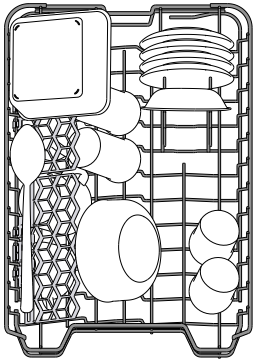
OTICANJE VODE

Za zaustavljanje i promenu aktivnog ciklusa može se koristiti funkcija Oticanje vode.

Dugi pritisak na dugme POČETAK/PAUZA aktivira funkciju OTICANJE VODE. Aktivni program se zaustavlja i voda iz mašine za pranje sudova otiče.

PUNJENJE KORPI

GORNJA KORPA



Stavite osetljivo i lako posuđe: čaše, šolje, tacne, plitke posuđe za salatu.

(primer punjenja gornje korpe)

PODEŠAVANJE VISINE GORNJE KORPE

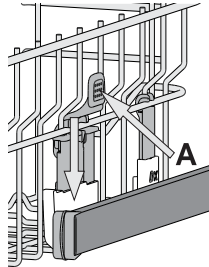
Visina gornje korpe se može podesiti: visoki položaj za postavljanje velikog posuđa u donju korpu i nizak položaj za maksimalno korišćenje držača koji se pomeraju, tako što se stvara više prostora na gore i izbegava sudaranje sa sudovima iz donje korpe.

Gornja korpa ima **Podešivač visine gornje korpe** (vidite sliku), bez pritiskanja ručica, jednostavno podignite držeći korpu sa strane, čim se korpa stabilno namesti u viši položaj.

Da biste vratili na niži položaj, pritisnite ručice **A** koje se nalaze na stranama korpe i pomerite korpu na dole.

Preporučujemo da ne podešavate visinu korpe kada je napunjena.

NIKADA ne podižite niti spuštajte samo jednu stranu korpe.



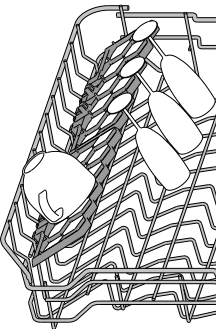
SKLOPIVA KRILCA SA PODESIVIM POLOŽAJEM

Sklopiva krilca možete da sklopite ili rasklopite i tako pronađete najbolji raspored posuđa na rešetki.

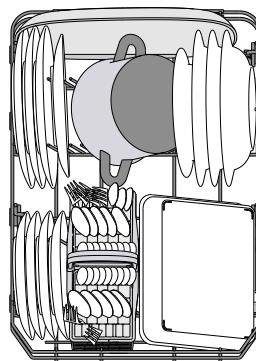
Čaše za vino se bezbedno mogu staviti u sklopiva krilca tako što se stopa svake čaše stavi u odgovarajući otvor.

Zavisno od modela:

- da biste rasklopili krilca, treba da ih gurnete nagore i okrenete ili da ih odvojite od držača i spustite nadole.
- da biste sklopili krilca, treba da ih okrenete i gurnete nadole ili nagore, pa ih zakačite za držače.



DONJA KORPA



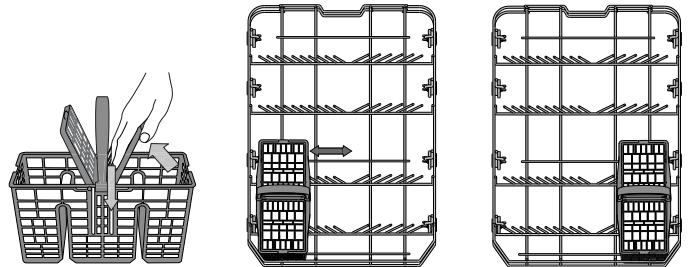
Za šerpe, poklopce, tanjire, posuđe za salatu, pribor itd. Velike tanjire i poklopce treba stavljati sa strane, kako bi se izbeglo dodirivanje prskalica.

(primer punjenja donje korpe)

KORPA ZA PRIBOR ZA JELO

Ima rešetke pri vrhu za bolje postavljanje pribora.

Mora se postaviti samo u prednjem delu donje korpe.



Noževi i drugi pribor oštih ivica se mora postaviti u korpu za pribor sa vrhovima okrenutim na dole ili se staviti u horizontalan položaj u odeljak koji se pomera u gornjoj korpi.

SVAKODNEVNA UPOTREBA

1. PROVERITE PRIKLJUČAK NA VODOVODNU MREŽU

Proverite da li je mašina za pranje sudova povezana na dovod vode i da je slavina otvorena.

2. UKLJUČITE MAŠINU ZA PRANJE SUDOVA

Pritisnite dugme **UKLJUČI/ISKLUJUČI**.

3. NAPUNITE KORPE

(videti **PUNJENJE KORPI**)

4. PUNJENJE POSUDE ZA DETERDŽENT

5. IZABERITE PROGRAM I PRILAGODITE CIKLUS

Izaberite najprikladniji program u skladu sa vrstom posuđa i nivoom zaprljanosti (videti **OPIS PROGRAMA**) **okretanjem dugmeta BIRANJE PROGRAMA** u smeru kretanja kazaljki na satu. Izaberite željene opcije (videti **OPCIJE I FUNKCIJE**).

6. POČETAK

Počnite ciklus pranja pritiskom na dugme **POČETAK/PAUZA**.

7. ZAVRŠETAK CIKLUSA PRANJA

Kraj ciklusa pranja je označen upaljenom **LED diodom UKLJUČI/ISKLUJUČI**. Isključite uređaj pritiskom na dugme **UKLJUČI/ISKLUJUČI** i otvorite vrata.

Sačekajte nekoliko minuta pre nego što izvadite posuđe - da biste izbegli opekotine.

Ispraznite korpe, počevši sa donjom.

Mašina će se automatski isključiti tokom dužih perioda neaktivnosti, kako bi se smanjila potrošnja električne energije. Ako je posuđe samo blago uprljano ili ako ga isperete vodom pre nego što ga stavite u mašinu za pranje sudova, u skladu s tim smanjite količinu deterdženta koji koristite.

MENJANJE PROGRAMA KOJI JE U TOKU

Ako ste izabrali pogrešan program, možete da ga promenite, pod uslovom da je tek počeo: pritisnite i zadržite dugme **UKLJUČI/ISKLUJUČI**, mašina će se isključiti.

Ponovo uključite mašinu pomoću dugmeta **UKLJUČI/ISKLUJUČI** i izaberite novi ciklus pranja i željene opcije; pokrenite ciklus tako što ćete pritisnite dugme **POČETAK/PAUZA**.

DODAVANJE DODATNOG POSUĐA

Bez isključivanja mašine, otvorite vrata (**pazite na VRELU paru!**) i stavite posuđe u mašinu za pranje sudova. Zatvorite vrata i pritisnite dugme **POČETAK/PAUZA** ciklus će nastaviti od trenutka u kom je zaustavljen.

SLUČAJNI PREKIDI

Ako su vrata otvorena tokom ciklusa pranja ili ako dođe do prekida električne energije, ciklus se zaustavlja. Kada zatvorite vrata ili kada dođe do uspostavljanja električne energije, da ponovo pokrenete ciklus tamo gde je stao, pritisnite dugme **POČETAK/PAUZA**.

SAVETI I PREDLOZI

SAVETI

Pre nego što napunite korpe, uklonite sve ostatke hrane sa posuđa i ispraznite čaše. **Nije potrebno da prethodno ispirate vodom.** Posuđe postavite tako da stoji čvrsto na mestu i da ne sklizne; posude postavite sa otvorima okrenutim na dole, a udubljene/ispupčene delove postavite koso, kako bi voda mogla da dopre do svih površina i da slobodno teče.

Upozorenje: poklopci, ručice, poslužavnici i tiganji ne sprečavaju rotiranje prskalica.

Svo malo posuđe stavite u korpu za pribor.

Veoma zaprljano posuđe i šerpe bi trebalo da stavite u donju korpu, jer su prskalice u ovom delu jače i pružaju bolje performanse pranja.

Nakon što napunite uređaj, vodite računa da prskalice mogu slobodno da se rotiraju.

NEODGOVARAJUĆE POSUĐE

- Drveno posuđe i pribor.
- Osetljive ukrašene čaše, umetničke rukotvorine i antičko posuđe. Dekoracija na njima nije otporna.
- Delovi od sintetičkog materijala ne podnose visoke temperature.
- Posuđe od bakra i kalaja.
- Posuđe zaprljano pepelom, voskom, mašću za podmazivanje ili mastilom.

Boja dekoracije na staklu i komadima od aluminijuma/srebra može da se promeni i izbledi tokom procesa pranja. Neke vrste stakla (npr. kristalni predmeti) takođe mogu da se zamute nakon određenog broja ciklusa pranja.

OŠTEĆENJE ČAŠA I POSUĐA

- Koristite samo čaše i porculansko posuđe za koje proizvođač garantuje da je bezbedno za mašinsko pranje.
- Koristite blag deterdžent za posuđe
- Sakupite čaše i posuđe iz mašine za pranje sudova čim se ciklus pranja završi.

SAVETI ZA UŠTEDU ENERGIJE

- Kada se mašina za pranje sudova za domaćinstvo koristi u skladu sa uputstvima proizvođača, **pranje posuđa u mašini za pranje sudova uglavnom troši MANJE ENERGIJE i vode od ručnog pranja.**
- Da biste povećali efikasnost mašine za pranje sudova, **preporučuje se da ciklus pranja pokrenete kada se mašina za sudove u potpunosti napuni.** Punjenje mašine za pranje sudova za domaćinstvo do kapaciteta koji je naveo proizvođač će doprineti uštedi energije i vode. Informacije o pravilnom slaganju posuđa možete pronaći u poglavlju **PUNJENJE KORPI**. U slučaju delimične napunjenosti, preporučuje se da koristite odgovarajuće opcije za pranje, ako postoje (Half load/Zone Wash/Multizone (Polupuno/zonsko pranje/više zona)), popunjavajući samo izabrane korpe. Nepravilno punjenje ili prepunjavanje mašine za pranje sudova može da poveća potrošnju resursa (poput vode, energije i vremena, kao i da poveća nivo buke), smanjujući performanse čišćenja i sušenja.
- Ručno predispiranje komada posuđa dovodi do povećane potrošnje vode i energije i nije preporučljivo.

HIGIJENA

Da bi se izbeglo stvaranje neprijatnih mirisa i naslaga u mašini za pranje sudova, **program sa visokom temperaturom pokrenite najmanje jednom mesečno.** Koristite jednu kafenu kašičicu deterdženta i pokrenite program bez postavljanja posuđa kako biste očistili uređaj.

NEGA I ODRŽAVANJE

ČIŠĆENJE SKLOPA FILTERA

Redovno čistite sklop filtera kako se filteri ne bi zapušili i kako bi otpadna voda pravilno oticala.

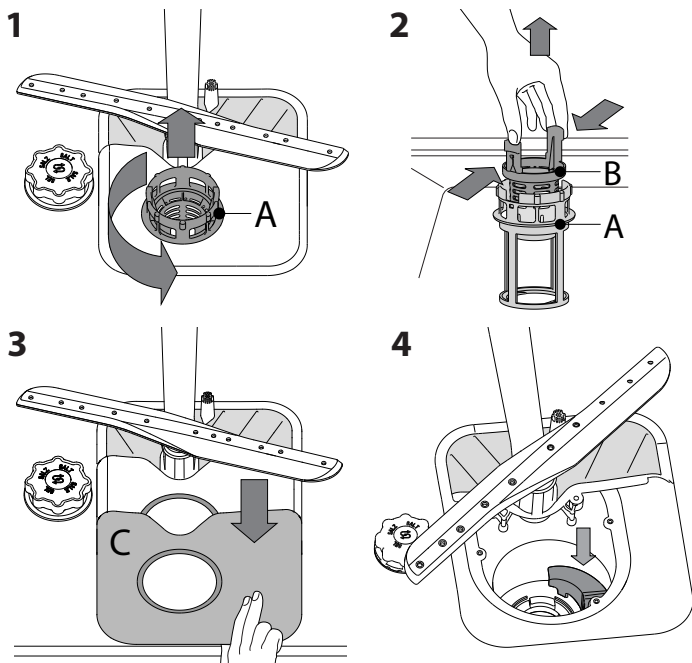
Korišćenje mašine za pranje sudova sa zapušnim filterima ili stranim predmetima unutar sistema za filtriranje ili prskalicama može dovesti do kvara uređaja i time gubitka performansi, glasnog rada ili veće potrošnje resursa.

Sklop filtera se sastoji od tri filtera koji uklanjaju ostatke hrane iz vode za pranje i omogućavaju recirkulaciju vode: kako bi se postigli najbolji rezultati pranja, filtere treba održavati čistim.

Mašina za pranje sudova se ne sme koristiti bez filtera ili ako je filter labav.

Barem jednom mesečno ili nakon svakih 30 ciklusa, proverite sklop filtera i ukoliko je potrebno detaljno ga očistite pod mlazom vode, pomoću četke koja nije metalna i sledeći uputstva navedena u nastavku:

1. Okrenite cilindrični filter **A** u smeru suprotnom od smeru kretanja kazaljki na satu i izvucite ga (slika 1).
2. Uklonite kupasti filter **B** primenom blagog pritiska na bočna krilca (slika 2).
3. Izvucite pločasti filter od nerđajućeg čelika **C** (slika 3).
4. Ukoliko pronađete strane predmete (kao što je slomljeno staklo, porcelan, kosti, semenke voća itd.) pažljivo ih uklonite.
5. Proverite sklopku i uklonite sve ostatke hrane. **NIKADA NE UKLANJAJTE** zaštitu pumpe za ciklus pranja (crni deo) (slika 4).



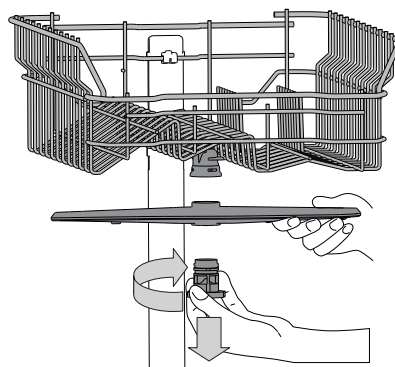
Nakon čišćenja filtera, ponovo postavite sklop filtera i pravilno ih pričvrstite na mesto; ovo je neophodno za efikasan rad mašine za pranje sudova.

ČIŠĆENJE CREVA ZA DOVOD VODE

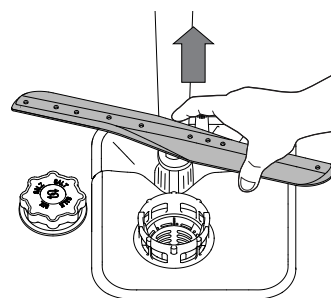
Ako su creva za vodu nova ili neko vreme nisu korišćena, pustite vodu kroz njih da biste bili sigurni da su čista i da bi se očistila od nečistoća pre nego što se povežu. Ako ne obavite ovu meru opreza, dovod vode se može blokirati i oštetiti mašinu za pranje sudova.

ČIŠĆENJE PRSKALICA

Povremeno, ostaci hrane mogu da se skore na prskalicama i tako blokiraju otvore za prskanje vode. Stoga se preporučuje da povremeno proveravate prskalice i čistite ih malom četkom koja nije od metala.



Da biste uklonili gornju prskalicu, okrenite plastični prsten za zaključavanje u smeru kretanja kazaljki na satu. Gornja prskalica se ponovo postavlja tako da strana sa više otvora bude okrenuta na gore.



Donju prskalicu možete ukloniti tako što ćete je povući na gore.

SISTEM ZA OMEKŠAVANJE VODE

Omekšivač vode automatski smanjuje tvrdoću vode i time sprečava nakupljanje kamenca na grejaču, čime takođe doprinosi efikasnijem čišćenju.

Ovaj sistem sam sebe regeneriše pomoću soli, te je stoga obavezno da dopunite rezervoar za so kada je prazan.

Intervali vykonávania regenerácie závisia od nastavenia tvrdości vody – regenerácia sa vykonáva raz za 5 Eco cyklov, ak je tvrdość vody nastavená na 3.

Proces regeneracije počinje sa poslednjim ispiranjem i završava se u fazi sušenja, pre završetka ciklusa.

- Jedna regeneracija troši: ~3,5 l vode;
- Produžava ciklus za još 5 minuta;
- Troši ispod 0,005 kWh energije

OTKLANJANJE PROBLEMA

Ukoliko vaša mašina za pranje sudova ne radi pravilno, proverite da li je moguće rešiti problem pomoću sledeće liste. Za ostale greške ili probleme obratite se ovlašćenom postprodajnom servisu čije detalje za kontakt možete pronaći u garantnoj knjižici. Rezervni delovi su dostupni u periodu od 7 do 10 godina, u skladu sa posebnim zahtevima odredbe.

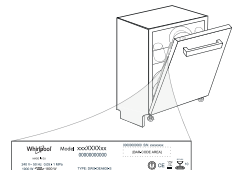
PROBLEMI	MOGUĆI UZROCI	REŠENJA
Mašina za pranje sudova neće da se pokrene ili ne reaguje na komande.	Uređaj nije pravilno uključen u strujno napajanje.	Umetnite utikač u utičnicu.
	Nema električne energije.	Iz bezbednosnih razloga, mašina za pranje sudova se neće automatski ponovo pokrenuti kada dođe do povraćaja električne energije. Pritisnite dugme POČETAK/PAUZA da biste nastavili ciklus.
	Vrata mašine za pranje sudova nisu zatvorena.	Snažno gurnite vrata dok se ne začuje zvuk „kliktanja“
	Ciklus je prekinut otvaranjem vrata na > 4 sekunde.	Zatvorite vrata i pritisnite dugme POČETAK/PAUZA
	Ne reaguje na komande.	Isključite uređaj pritiskom na dugme UKLJUČI/ISKLJUČI, nakon jednog minuta ga ponovo uključite i ponovo pokrenite program. Ukoliko se problem nastavi, izvucite utikač uređaja na 1 minut, a zatim ga ponovo utaknite.
Voda ne otiče iz mašine za pranje sudova.	Ciklus pranja se još nije završio.	Sačekajte da se ciklus pranja završi.
	Crevo za odvod je savijeno.	Proverite da li je crevo za odvod savijeno (<i>videti UPUTSTVA ZA UGRADNJU</i>).
	Odvodna cev sudopere je blokirana.	Očistite odvodnu cev sudopere.
	Filter je zapušen ostacima hrane	Očistite filter (<i>videti ČIŠĆENJE SKLOPA FILTERA</i>).
Mašina za pranje sudova proizvodi neuobičajenu buku.	Sudovi udaraju jedan o drugi.	Pravilno poredajte posuđe (<i>videti PUNJENJE KORPI</i>).
	Proizvodi se previše pene.	Deterdžent nije pravilno odmeren ili nije pogodan za korišćenje u mašini za pranje sudova (<i>videti PUNJENJE POSUDE ZA DETERDŽENT</i>). Ponovo podesite mašinu za pranje sudova pritiskom na dugme OTICANJE VODE (<i>videti OPCIJE I FUNKCIJE</i>) i pokrenite nov program bez deterdženta.
Posuđe nije čisto.	Posuđe nije pravilno postavljeno.	Pravilno poredajte posuđe (<i>videti PUNJENJE KORPI</i>).
	Prskalice ne mogu slobodno da se okreću, jer ih zaustavlja posuđe.	Pravilno poredajte posuđe (<i>videti PUNJENJE KORPI</i>).
	Ciklus pranja je previše blag.	Izaberite odgovarajući ciklus pranja (<i>videti TABELU SA PROGRAMIMA</i>).
	Proizvodi se previše pene.	Deterdžent nije pravilno odmeren ili nije pogodan za korišćenje u mašini za pranje sudova (<i>videti PUNJENJE POSUDE ZA DETERDŽENT</i>).
	Poklopac na odeljku za sredstvo za ispiranje nije pravilno zatvoren.	Vodite računa da poklopac posude za sredstvo za ispiranje bude zatvoren.
	Filter je zaprljan ili zapušen.	Očistite sklop filtera (<i>videti ČUVANJE I ODRŽAVANJE</i>).
	Nema soli.	Napunite rezervoar za so (<i>videti PUNJENJE REZERVOARA ZA SO</i>).
Mašina za pranje sudova ne prima vodu. Svi LED-i brzo trepere.	Nema vode u sistemu za dovod vode ili je slavina zatvorena.	Vodite računa da ima vode u sistemu za dovod vode ili da je slavina odvrnuta.
	Crevo za dovod vode je savijeno.	Vodite računa da crevo za dovod ne bude savijeno (<i>videti POSTAVLJANJE</i>), ponovo podesite program i pokrenite mašinu za pranje sudova.
	Sito u crevu za dovod vode je zapušeno; neophodno je očistiti ga	Nakon što obavite proveru i čišćenje, isključite i uključite mašinu za pranje sudova i ponovo pokrenite novi program.
Mašina za pranje sudova prerano završava ciklus.	Crevo za odvod je postavljeno prenisko ili odvod sifona ide u sistem kućne kanalizacije	Proverite da li je kraj creva za odvod postavljen na odgovarajućoj visini (<i>videti POSTAVLJANJE</i>). Proverite da li odvod sifona ide u sistem kućne kanalizacije, po potrebi ugradite ventil za dovod vazduha.
	Vazduh u dovodu vode.	Proverite da li dovod vode curi ili drugi problemi propuštaju vazduh unutra.



Smernice, standardna dokumentacija, poručivanje rezervnih delova i dodatne informacije o proizvodu se mogu naći putem:

- Našeg veb-sajta docs.indesit.eu i parts-selfservice.whirlpool.com
- Ili pomoću QR koda
- Takođe, možete kontaktirati naš postprodajni servis (broj se nalazi u garantnoj knjižici). Prilikom kontaktiranja našeg postprodajnog servisa, navedite šifru koja se nalazi na pločici za identifikaciju proizvoda.

Informacije o modelu se mogu preuzeti pomoću QR koda navedenog na energetske oznaci. Oznaka uključuje i identifikator modela koji može da se upotrebi za proveru registracije na portalu, na adresi <https://eprel.ec.europa.eu>.



400011687904

07/2023 as - Xerox Fabriano

