

SAFETY INSTRUCTIONS

Download the complete instruction manual on [http:// docs.indesit.eu](http://docs.indesit.eu) or call the phone number shown on the warranty booklet.

Before using the appliance, read these safety instructions. Keep them nearby for future reference. These instructions and the appliance itself provide important safety warnings, to be observed at all times. The manufacturer declines any liability for failure to observe these safety instructions, for inappropriate use of the appliance or incorrect setting of controls.

⚠ **WARNING:** If the hob surface is cracked, do not use the appliance - risk of electric shock.

⚠ **WARNING:** Danger of fire: Do not store items on the cooking surfaces.

⚠ **CAUTION:** The cooking process has to be supervised. A short cooking process has to be supervised continuously.

⚠ **WARNING:** Unattended cooking on a hob with fat or oil can be dangerous - risk of fire. NEVER try to extinguish a fire with water: instead, switch off the appliance and then cover flame e.g. with a lid or a fire blanket.

⚠ Do not use the hob as a work surface or support. Keep clothes or other flammable materials away from the appliance, until all the components have cooled down completely - risk of fire.

⚠ Very young children (0-3 years) should be kept away from the appliance. Young children (3-8 years) should be kept away from the appliance unless continuously supervised. Children from 8 years old and above and persons with reduced physical, sensory or mental capabilities or lack of experience and knowledge can use this appliance only if they are supervised or have been given instructions on safe use and understand the hazards involved. Children must not play with the appliance. Cleaning and user maintenance must not be carried out by children without supervision.

⚠ **WARNING:** The appliance and its accessible parts become hot during use. Care should be taken to avoid touching heating elements. Children less than 8 years of age shall be kept away unless continuously supervised.

PERMITTED USE

⚠ **CAUTION:** the appliance is not intended to be operated by means of an external switching device, such as a timer, or separate remote controlled system.

⚠ This appliance is intended to be used in household and similar applications such as: staff kitchen areas in shops, offices and other working environments; farm houses; by clients in hotels, motels, bed & breakfast and other residential environments.

⚠ No other use is permitted (e.g. heating rooms).

⚠ This appliance is not for professional use. Do not use the appliance outdoors.

IMPORTANT TO BE READ AND OBSERVED

INSTALLATION

⚠ The appliance must be handled and installed by two or more persons - risk of injury. Use protective gloves to unpack and install - risk of cuts.

⚠ Installation, including water supply (if any), electrical connections and repairs must be carried out by a qualified technician. Do not repair or replace any part of the appliance unless specifically stated in the user manual. Keep children away from the installation site. After unpacking the appliance, make sure that it has not been damaged during transport. In the event of problems, contact the dealer or your nearest After-sales Service. Once installed, packaging waste (plastic, styrofoam parts etc.) must be stored out of reach of children - risk of suffocation. The appliance must be disconnected from the power supply before any installation operation - risk of electric shock. During installation, make sure the appliance does not damage the power cable - risk of fire or electric shock. Only activate the appliance when the installation has been completed.

⚠ Carry out all cabinet cutting operations before fitting the appliance and remove all wood chips and sawdust.

⚠ If the appliance is not installed above an oven, a separator panel (not included) must be installed in the compartment under the appliance.

ELECTRICAL WARNINGS

⚠ It must be possible to disconnect the appliance from the power supply by unplugging it if plug is accessible, or by a multi-pole switch installed upstream of the socket in accordance with the wiring rules and the appliance must be earthed in conformity with national electrical safety standards.

⚠ Do not use extension leads, multiple sockets or adapters. The electrical components must not be accessible to the user after installation. Do not use the appliance when you are wet or barefoot. Do not operate this appliance if it has a damaged power cable or plug, if it is not working properly, or if it has been damaged or dropped.

⚠ Installation using a power cable plug is not allowed unless the product is already equipped with the one provided by the Manufacturer.


⚠ If the supply cord is damaged, it must be replaced with an identical one by the manufacturer, its service agent or similarly qualified persons in order to avoid a hazard - risk of electric shock.

CLEANING AND MAINTENANCE

⚠ **WARNING:** Ensure that the appliance is switched off and disconnected from the power supply before performing any maintenance operation; never use steam cleaning equipment - risk of electric shock.

⚠ Do not use abrasive or corrosive products, chlorine-based cleaners or pan scourers.

DISPOSAL OF PACKAGING MATERIALS


The packaging material is 100% recyclable and is marked with the recycle symbol .

The various parts of the packaging must therefore be disposed of responsibly and in full compliance with local authority regulations governing waste disposal.

DISPOSAL OF HOUSEHOLD APPLIANCES

This appliance is manufactured with recyclable or reusable materials. Dispose of it in accordance with local waste disposal regulations. For further information on the treatment, recovery and recycling of household electrical appliances, contact your local authority, the collection service for household waste or the store where you purchased the appliance. This appliance is marked in compliance with European Directive 2012/19/EU, Waste Electrical and Electronic Equipment (WEEE) and with the Waste Electrical and Electronic Equipment regulations 2013 (as amended).

By ensuring this product is disposed of correctly, you will help prevent negative consequences for the environment and human health.

The symbol  on the product or on the accompanying documentation indicates that it should not be treated as domestic waste but must be taken to an appropriate collection center for the recycling of electrical and electronic equipment.

ENERGY SAVING TIPS

Make the most of your hot plate's residual heat by switching it off a few minutes before you finish cooking.

The base of your pot or pan should cover the hot plate completely; a container that is smaller than the hot plate will cause energy to be wasted. Cover your pots and pans with tight-fitting lids while cooking and use as little water as possible. Cooking with the lid off will greatly increase energy consumption.

Use only flat-bottomed pots and pans.

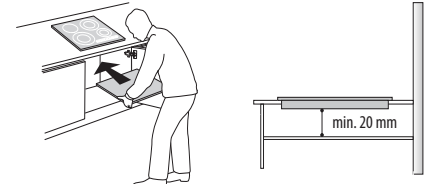
DECLARATION OF CONFORMITY

This appliance meets Ecodesign requirements of European Regulation 66/2014 and The Ecodesign for Energy-Related Products and Energy Information (Amendment) (EU Exit) Regulations 2019 in compliance with the European standard EN 60350-2.



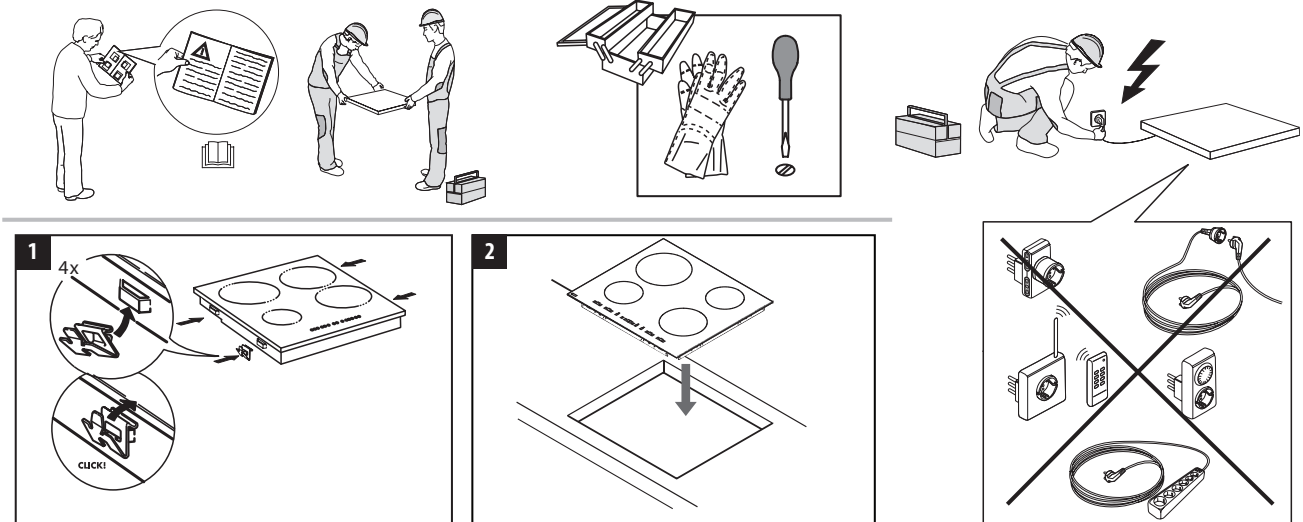
INSTALLATION

- The cooktop must be set into a worktop at least 20 mm deep.
- There must be nothing between the cooktop and the oven (cross rails, brackets, etc.).
- Make sure the power cord is long enough to allow convenient installation.
- The distance between the lower face of the glass ceramic hob and the cupboard or separating panel must be at least 20 mm.
- For built-in dimensions and installation see the picture in this paragraph.
- A minimum distance must be maintained between the hob and the hood above it. Please refer to the user manual of the hood for more informations.
- Apply the supplied gasket to the cooktop (unless it has already been fitted), after having cleaned its surface.
- **Do not install the cooktop near a dishwasher or washing machine, so that the electronic circuits do not come into contact with steam or moisture, which could damage them.**
- If an oven (from our range of ovens) is installed beneath the cooktop, make sure that it is equipped with a cooling system. If the temperature of the electronic circuits exceeds the maximum permitted temperature, the cooktop will switch off automatically; in this case, wait for a few minutes until the internal temperature of the electronic circuits reaches a tolerable level, at which point it will be possible to switch the hob on again.

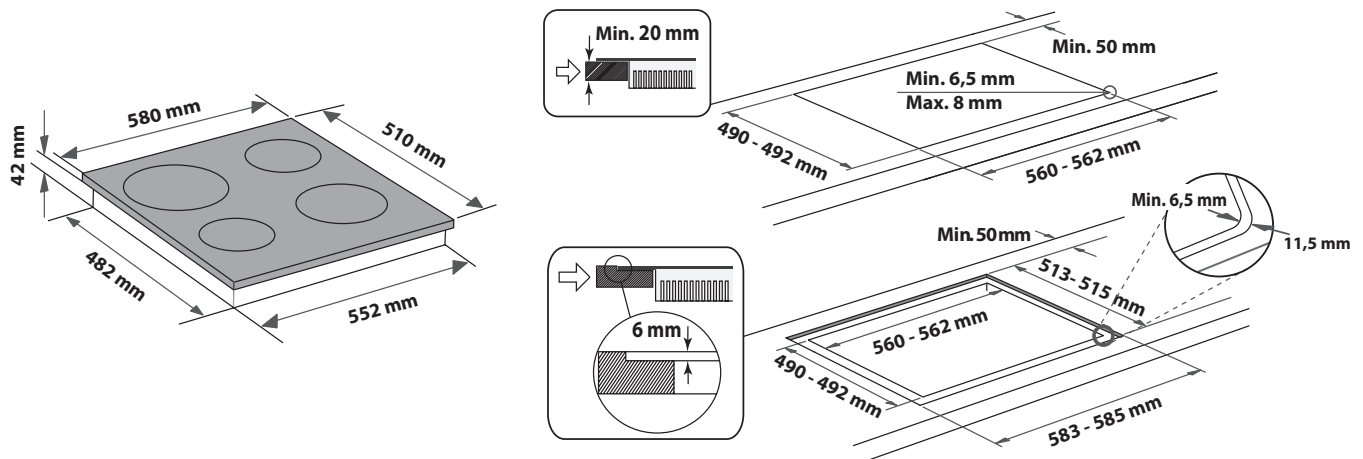
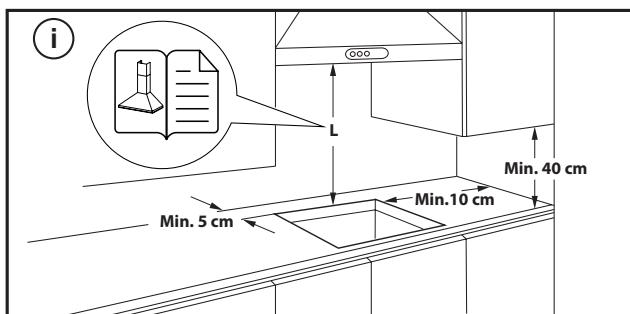


PLACING THE HOB

After the electrical connection (see the chapter "Electrical connection"). Position each fixing clips on the dedicated slots on the lateral sides of the hob as shown in the picture. Then push the hob inside the cut out and check that the glass is flat and parallel to the worktop. The fixing clips are designed for every type of worktop material (wood, marble, etc.).



DIMENSIONS AND DISTANCES TO BE MAINTAINED



REMOVING THE HOB:

To remove the hob, first, disconnect it from the electric supply. It is strongly recommended to free the underneath part from the oven, drawer, separator, or other. It allows the technician to access the lower part of the hob to unfasten the four clips with a screwdriver, lift the hob and remove it, avoiding any worktop damage.

ELECTRICAL CONNECTION

Electrical connection must be made before connecting the appliance to the electricity supply.

The power cord is not included in the package - remember to prepare your own power cord.




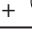
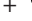
Installation must be carried out by qualified personnel who know the current safety and installation regulations. Specifically, installation must be carried out in compliance with the regulations of the local electricity supply company.

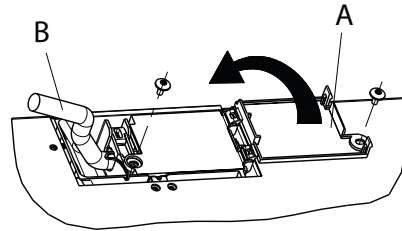
Make sure the voltage specified on the data plate located on the bottom of the appliance is the same as that of the home.

Regulations require that the appliance be earthed: use conductors (including the earth conductor) of the appropriate size only.

CONNECTION TO THE TERMINAL BLOCK

For the electrical connection, use an H05RR-F or H05V2V2-F cable as specified in the table below.

SUPPLY VOLTAGE	CONDUCTORS AMOUNT x SIZE
220-240V ~ + 	3 x 4 mm ²
230-240V ~ + 	3 x 4 mm ² (Australia only)
220-240V 3~ + 	4 x 1,5 mm ²
380-415V 3N~ + 	5 x 1,5 mm ²
380-425V 2N~ + 	4 x 1,5 mm ²



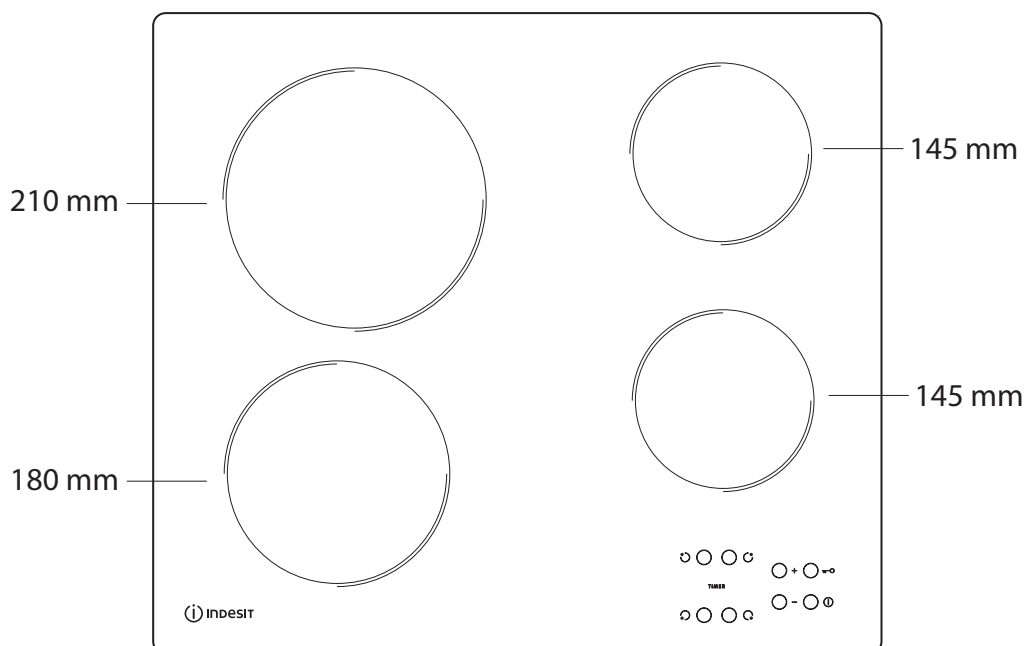
The appliance must be connected to the electricity supply by means of an all-pole disconnect switch with minimum contact gap of 3 mm.

ATTENTION: the power supply cable must be long enough to allow the cooktop to be removed from the worktop and must be positioned so as to avoid damage or overheating caused by contact with the base.

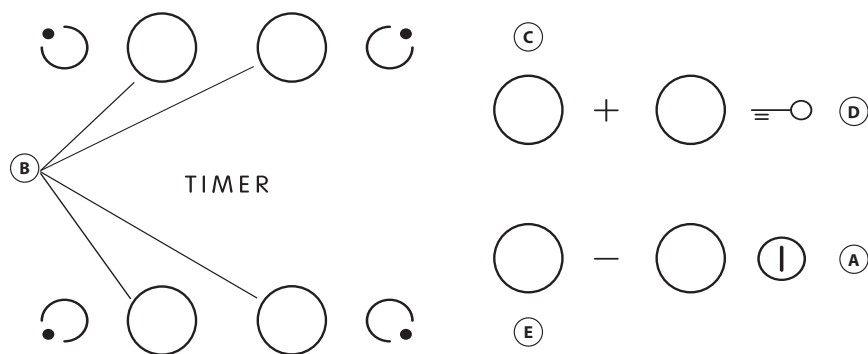
NOTE: the yellow/green earth wire must be connected to the terminal with the symbol  and must be longer than the other wires.

- Remove approx. 70 mm of the cable sheath from the power supply cable (B).
- Strip approx. 10 mm of sheath from the wires. Then insert the power supply cable into the cable clamp and connect the wires to the terminal block as indicated in the connection diagram placed close to the terminal block itself.
- Secure the power supply cable (B) by means of the cable clamp.
- Close the terminal board with the cover (A) securing it with the screw provided.
- After the electrical connection, fit the hob from the top and hook it to the support springs, according to the illustration.

PRODUCT DESCRIPTION



CONTROL PANEL



- A** On/Off
- B** Cooking zone and timer selection
- C-E** Heat setting increase and decrease
- D** Key lock

FIRST TIME USE

Upon first installation, the control panel performs a functional test for about 1 second, after which it automatically switches to the "Key lock" function.

To deactivate the function, press and hold button "D"; an acoustic signal will sound and the corresponding led will turn off.

NOTE: If a reset occurs, repeat the procedure described above.

DAILY USE



SWITCHING THE HOB ON/OFF

To switch the hob on, keep button "A" pressed for approx. 2 seconds. The 4 cooking zone displays show "0". If within 20 seconds none of the cooking zones is activated, the hob switches off automatically as a safety precaution.

SWITCHING ON AND ADJUSTING COOKING ZONES

Press one of the buttons "B" corresponding to the cooking zone you intend to use. Select the heat setting required with buttons "E" or "C". The other selectable cooking settings go from 1 to 9. Press buttons "+/-" at the same time to cancel all settings.

IMPORTANT: the control is deactivated 10 seconds after the heat setting has been selected.

To change the heat setting, first press the selection button "B" again, then proceed to change the setting, using buttons "E" or "C".

TIMER

To set the Timer function, select the desired cooking zone and power setting then press the cooking zone key again and a luminous dot will appear on the display of the timer-controlled cooking zone. The indication "00" blinks on the 2 displays. Press buttons "C" or "E" to set the time from 1 to 99.

IMPORTANT: after 10 seconds the timer displays will show the power setting of the other cooking zones.

To view the remaining cooking time, press the timer-controlled cooking zone key twice.

A FUNCTION

This function allows to automatically decrease the cooking zone power level from the highest value (level 9) to the one selected by the user for a later stage of cooking.

To activate this function first press the "+" button when level 9 is reached. The display shows "A" and "9" flashes alternately with low brightness. At this point, choose the desired power level (less than 9) with the "- " button.

"A" and selected level flash alternately with low brightness on the display. The function is activated once "A" and the selected level flash alternately with high brightness on the display.

Once "A" is no longer visible on the display (the "A" function switches off automatically after several minutes, depending on the set power level), the cooking process continues with lower power and the display shows only the selected power level.

N.B.: this function is not possible with level 9.



KEY LOCK

The Key lock function is switched on by holding down button "D" until a dot lights up above the function button. The control panel is locked except for the switching-off function. The function remains on even after the hob is switched off and on again and can be deactivated by pressing button "D" again until the dot above the function button goes off.

When the hob is off with the key lock activated to switch the hob on, first deactivate the key lock function by pressing button "D" again until the dot above the function button goes off.

The presence of water, liquid spilled from pots or any objects resting on the controls can accidentally activate or deactivate the Key lock function.



RESIDUAL HEAT INDICATOR

When the cooking zone is switched off, the residual heat indicator "H" remains on or flashes alternating with "0" until the temperature of the hob returns within safety levels.

IMPORTANT: The hob's safety features include an automatic switching off function. Prolonged use of the same heat setting triggers automatic switch-off of the cooking zone (for example, after around 1 hour at maximum heat setting, the cooking zone switches off).

IMPORTANT: To avoid a permanent damage the hob:

- do not use pots with bottoms that are not flat;
- do not use metal pots with enamelled bottom;
- do not place hot pots/pans over the control panel.

POWER LEVEL TABLE

POWER LEVEL		TYPE OF COOKING	LEVEL USE (indicating cooking experience and habits)
Maximum power	9	Boiling	Ideal for rapidly increasing the food temperature to fast boiling in the case of water or rapidly heating cooking liquids.
	9 – 8	Searing	Ideal for browning, starting to cook, frying frozen products, fast boiling.
High power	8 – 7	Browning – maintain boiling – grilling	Ideal for browning, maintaining a high boil, cooking, and grilling (short duration, 5-10 minutes).
	7 – 6	Frying – cooking – grilling	Ideal for maintaining a low boil, cooking and grilling (medium duration, 10-20 minutes), preheating, and frying.
Medium power	6 – 5	Gentle frying	Ideal for frying eggs, omelettes.
	5 – 4	Cooking – simmering – stewing	Ideal for prolonged cooking (rice, sauces, roasts, fish) with liquids (e.g., water, wine, broth, milk), creaming pasta.
	4 – 3	Thickening – creaming pasta	
Low power	2 – 1	Keeping food hot – creaming risottos	Ideal for keeping just-cooked food hot (e.g., sauces, soups, minestrone), creaming risottos and keeping serving dishes warm.
Minimum power	1	Defrosting	Ideal for defrosting small products and gently melting chocolate or butter.
Zero power	0	–	Hob in stand-by or off mode (possible end of cooking residual heat, indicated by an "H").

The hob is also equipped with the "auto shut off" function that switches off the cooking zone if no power level modification is done after a specific time frame depending on the power setting itself. In the table, there is the time duration of each power level.

POWER LEVEL	AUTO SHUT OFF TIME
0	30 seconds
1	10 hours
2	5 hours
3	5 hours
4	4 hours
5	3 hours
6	2 hours
7	2 hours
8	2 hours
9	1 hour

MAINTENANCE AND CLEANING

Disconnect the appliance from the power supply.

- Do not use steam cleaning equipment.
- Do not use abrasive sponges or scouring pads as they may damage the glass.
- After each use, clean the hob (when it is cool) to remove any deposits and stains from food residue.
- Sugar or foods with a high sugar content can damage the hob and must be immediately removed.

- Salt, sugar and sand could scratch the glass surface.
- Use a soft cloth, absorbent kitchen paper or a specific hob cleaner (follow the Manufacturer's instructions).
- Spills of liquid in the cooking zones can cause the pots to move or vibrate.
- After cleaning the hob, dry thoroughly.

TROUBLESHOOTING

If the hob does not operate correctly, before calling the After-Sales Service, refer to the Troubleshooting Guide to determine the problem.

- Read and follow the instructions given in the section "Daily use".
- Check that the electricity supply has not been shut off.
- Dry the hob thoroughly after cleaning it.
- If a cooking zone has been selected and an "F" or an "ER" appear on the display followed by a number, contact the After Sales Service and inform them.
- If the error code is "F03", "ER03" or "E02", try to solve it by following these instructions:
 - If the error "E02" appears, please make sure you haven't been pressing buttons for more than 5 seconds, no object is on the HMI area and that it's clean and dry - when cleaning, please follow the "Maintenance and Cleaning" paragraph.
 - If the error "F03" appears, try turning the cooktop off and on again.
 - If the error "F04" appears, contact After Sales Service and let them know which code is displayed.

- If the hob does not work following intensive use, the hob internal temperature is too high. Wait a few minutes until the hob cools down.
- If the heater is not continuously on but switches on and off cyclically even if on the display the power level does not change, this is part of the normal functioning of the hob. The on/off cycle allows the power regulation of the heater and is completely normal. In some cases, thermal protection could switch off the heater for some time to avoid glass damage. Examples of such cases are: cooking a long time at a high power level, using pots smaller than the heating element, and not flat-bottomed pots.
- If the hob is emitting a brief sound without the customer pressing any buttons, please take care of any liquid spills on the HMI. Please dry the HMI and continue using the hob. If the hob has been switched off automatically, it can be caused by a liquid presence on HMI. Please dry the HMI and switch the hob back on.

If after the above checks the fault still occurs, get in touch with the nearest After Sales Service.

AFTER-SALES SERVICE

In order to receive a more complete assistance, please register your product on www.indesit.com/register.

BEFORE CALLING THE AFTER-SALES SERVICE:

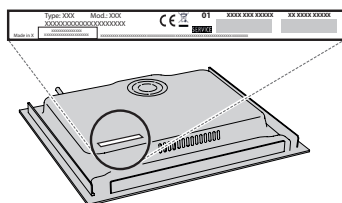
1. See if you can solve the problem by yourself with the help of the suggestions given in the **TROUBLESHOOTING**.
2. Switch the appliance off and back on again to see if the fault persists.

IF AFTER THE ABOVE CHECKS THE FAULT STILL OCCURS, GET IN TOUCH WITH THE NEAREST AFTER-SALES SERVICE.

To receive assistance, call the number shown on the warranty booklet or follow the instructions on the website www.indesit.com.

When contacting our Client After sales service, always specify:

- a brief description of the fault;
- the type and exact model of the appliance;



- the serial number (number after the word SN on the rating plate located under the appliance). The serial number is also indicated in the documentation;



Mod. XXX XXX

Ind.C. XXXX XXXX XXXX

Prod.N. 86999XXXXXXX S.N. XXXX XXXX XXXX

- your full address;
- your telephone number.

If any repairs are required, please contact an authorized after-sales service (to guarantee that original spare parts will be used and repairs carried out correctly).

NORME DI SICUREZZA

Scaricare il manuale d'uso completo dal sito <http://docs.indesit.eu> oppure telefonare al numero riportato sul libretto di garanzia.

Prima di utilizzare l'apparecchio, leggere le seguenti norme di sicurezza. Conservarle per eventuali consultazioni successive.

Queste istruzioni e l'apparecchio sono corredati da importanti avvertenze di sicurezza, da leggere e osservare sempre. Il fabbricante declina qualsiasi responsabilità che derivi dalla mancata osservanza delle presenti istruzioni di sicurezza, da usi impropri dell'apparecchio o da errate impostazioni dei comandi.

⚠ **AVVERTENZA:** Se la superficie del piano cottura è incrinata, non utilizzare l'apparecchio per evitare il rischio di folgorazione.

⚠ **AVVERTENZA:** Pericolo di incendio: non appoggiare oggetti sulle superfici di cottura.

⚠ **ATTENZIONE:** Il processo di cottura deve essere sorvegliato. I processi di cottura brevi richiedono una supervisione continua.

⚠ **AVVERTENZA:** La cottura non sorvegliata su un piano di cottura con grasso e olio può essere pericolosa e generare incendi. Non tentare MAI di spegnere le fiamme con acqua: piuttosto, spegnere l'apparecchio e soffocare le fiamme, ad esempio con un coperchio o una coperta antincendio.

⚠ Non utilizzare il piano di cottura come superficie di lavoro o appoggio. Non avvicinare all'apparecchio stoffe o altri materiali infiammabili fino a che tutti i componenti non si siano completamente raffreddati per evitare il rischio di incendi.

⚠ Tenere i bambini di età inferiore a 3 anni lontani dall'apparecchio. Senza la sorveglianza costante di un adulto tenere anche l'apparecchio fuori dalla portata dei bambini di età compresa tra 3 e 8 anni. I bambini di età superiore agli 8 anni, le persone con ridotte capacità fisiche, sensoriali o mentali e le persone che non abbiano esperienza o conoscenza dell'apparecchio potranno utilizzarlo solo sotto sorveglianza, o quando siano state istruite sull'utilizzo sicuro dell'apparecchio e siano consapevoli dei rischi del suo utilizzo. Vietare ai bambini di giocare con l'apparecchio. I bambini non devono eseguire operazioni di pulizia e manutenzione dell'apparecchio senza la sorveglianza di un adulto.

⚠ **ATTENZIONE:** L'apparecchio e i suoi componenti accessibili possono diventare molto caldi durante l'uso. Fare attenzione a non toccare gli elementi riscaldanti. Tenere lontani i bambini di età inferiore agli 8 anni, a meno che non siano costantemente sorvegliati.

USO CONSENTITO

⚠ **ATTENZIONE:** l'apparecchio non è destinato ad essere messo in funzione mediante un dispositivo di commutazione esterno, ad esempio un temporizzatore, o attraverso un sistema di comando a distanza separato.

IMPORTANTE: DA LEGGERE E OSSERVARE

⚠ L'apparecchio è destinato all'uso domestico e ad applicazioni analoghe, quali: aree di cucina per il personale di negozi, uffici e altri contesti lavorativi; agriturismi; camere di hotel, motel, bed & breakfast e altri ambienti residenziali.

⚠ Non sono consentiti altri usi (ades., il riscaldamento di ambienti).

⚠ Questo apparecchio non è destinato ad applicazioni professionali. Non utilizzare l'apparecchio all'aperto.

INSTALLAZIONE

⚠ Per evitare il rischio di lesioni personali, l'apparecchio deve essere movimentato e installato da due o più persone. Per le operazioni di disimballaggio e installazione utilizzare i guanti protettivi per non procurarsi tagli.

⚠ L'installazione, comprendente anche eventuali raccordi per l'alimentazione idrica e i collegamenti elettrici, e gli interventi di riparazione devono essere eseguiti da personale qualificato. Non riparare o sostituire qualsiasi parte dell'apparecchio se non specificatamente richiesto nel manuale d'uso. Tenere i bambini a distanza dal luogo dell'installazione. Dopo aver disimballato l'apparecchio, controllare che l'apparecchio non sia stato danneggiato durante il trasporto. In caso di problemi, contattare il rivenditore o il Servizio Assistenza Clienti. A installazione completata, conservare il materiale di imballaggio (parti in plastica, polistirolo, ecc.) fuori della portata dei bambini per evitare il rischio di soffocamento. Per evitare rischi di scosse elettriche, prima di procedere all'installazione scollegare l'apparecchio dalla rete elettrica. Durante l'installazione, accertarsi che l'apparecchio non possa danneggiare il cavo di alimentazione e causare così rischi di scosse elettriche. Attivare l'apparecchio solo dopo avere completato la procedura di installazione.

⚠ Eseguire tutte le operazioni di taglio del mobile prima di inserire l'apparecchio, avendo cura di rimuovere trucioli o residui di segatura.

⚠ Se l'apparecchio non è installato sopra un forno, è necessario installare un pannello divisorio (non in dotazione) nel vano sottostante.

AVVERTENZE ELETTRICHE

⚠ Deve essere possibile scollegare l'apparecchio dalla rete elettrica disinserendo la spina, se questa è accessibile, o tramite un interruttore multipolare installato a monte della presa nel rispetto dei regolamenti elettrici vigenti; inoltre, la messa a terra dell'apparecchio deve essere conforme alle norme di sicurezza elettrica nazionali.

⚠ Non utilizzare cavi di prolunga, prese multiple o adattatori. Una volta terminata l'installazione, i componenti elettrici non devono più essere accessibili. Non utilizzare l'apparecchio quando si è bagnati oppure a piedi nudi. Non accendere l'apparecchio se il cavo di

alimentazione o la spina sono danneggiati, se si osservano anomalie di funzionamento o se l'apparecchio è caduto o è stato danneggiato.

⚠ L'installazione tramite spina del cavo di alimentazione non è consentita a meno che il prodotto non sia già dotato di quella fornita dal Produttore.


⚠ Se il cavo di alimentazione è danneggiato, deve essere sostituito con uno dello stesso tipo dal produttore, da un centro di assistenza autorizzato o da un tecnico qualificato per evitare situazioni di pericolo o rischi di scosse elettriche.

PULIZIA E MANUTENZIONE

⚠ **AVVERTENZA:** Per evitare rischi di folgorazione, prima di qualsiasi intervento di manutenzione accertarsi che l'apparecchio sia spento e scollegato dall'alimentazione elettrica; inoltre, non usare in nessun caso pulitrici a getto di vapore.

⚠ Non utilizzare prodotti abrasivi o corrosivi, prodotti a base di cloro o pagliette.

SMALTIMENTO DEL MATERIALE DI IMBALLAGGIO


Il materiale di imballaggio è riciclabile al 100% ed è contrassegnato dal simbolo del riciclaggio .

Le varie parti dell'imballaggio devono pertanto essere smaltite responsabilmente e in stretta osservanza delle norme stabilite dalle autorità locali.

SMALTIMENTO DEGLI ELETTRODOMESTICI

Questo prodotto è stato fabbricato con materiale riciclabile o riutilizzabile. Smaltire il prodotto rispettando le normative locali in materia. Per ulteriori informazioni sul trattamento, il recupero e il riciclaggio degli elettrodomestici, contattare l'ufficio locale competente, il servizio di raccolta dei rifiuti domestici o il negozio presso il quale il prodotto è stato acquistato. Questo apparecchio è contrassegnato in conformità alla direttiva europea 2012/19/UE, Rifiuti di apparecchiature elettriche ed elettroniche (RAEE) e alle norme sui rifiuti di apparecchiature elettriche ed elettroniche 2013 (e successive modifiche).

Assicurandosi che questo prodotto sia smaltito in modo corretto, l'utente contribuisce a prevenire le conseguenze negative per l'ambiente e la salute.

Il simbolo  sul prodotto o sulla documentazione di accompagnamento indica che questo apparecchio non deve essere smaltito come rifiuto domestico, bensì conferito presso un centro di raccolta preposto al ritiro delle apparecchiature elettriche ed elettroniche.

CONSIGLI PER IL RISPARMIO ENERGETICO

Per sfruttare al meglio il calore residuo delle piastre, spegnerle alcuni minuti prima del termine della cottura.

La base della pentola o del tegame dovrebbe coprire completamente la piastra di cottura; un recipiente con la base più piccola del diametro della piastra causerà uno spreco di energia.

Durante la cottura, coprire pentole e tegami con un coperchio che chiuda bene il recipiente e usare la minima quantità d'acqua possibile. La cottura senza coperchio comporta un consumo di energia notevolmente superiore.

Utilizzare solo pentole e padelle con fondo piatto.

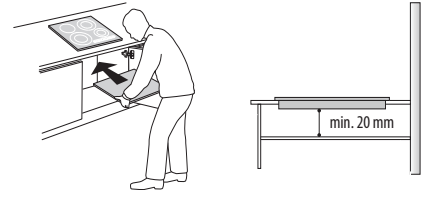
DICHIARAZIONE DI CONFORMITÀ

Questo apparecchio soddisfa i requisiti di Ecodesign del regolamento europeo 66/2014 e l'Ecodesign per i prodotti connessi all'energia e le informazioni sull'energia (emendamento) (Uscita UE) Regolamenti 2019 in conformità con la norma europea EN 60350-2.



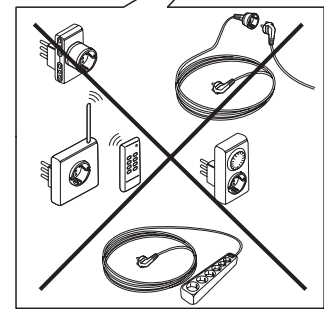
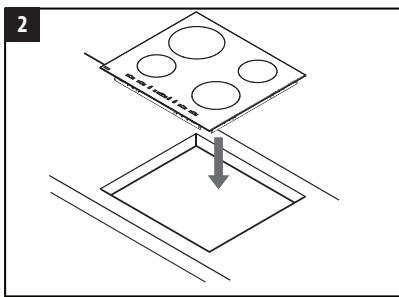
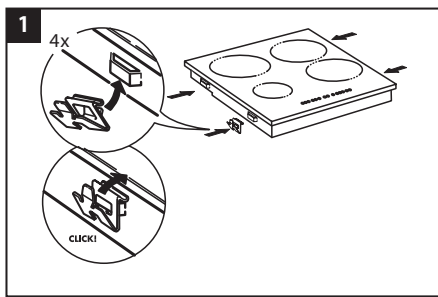
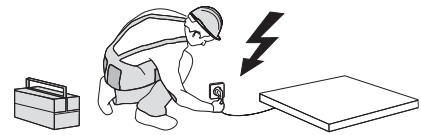
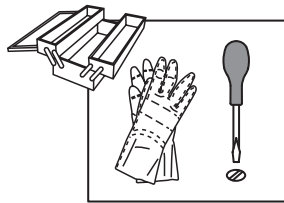
INSTALLAZIONE

- Incassare il piano di cottura in un piano di lavoro avente uno spessore di almeno 20 mm.
- Non interporre materiali fra piano di cottura e forno (traversine, squadrette, ecc.).
- Assicurarsi che il cavo di alimentazione sia sufficientemente lungo da consentire una comoda installazione.
- La distanza tra la parte inferiore del piano di cottura vetroceramico ed il mobile o pannello divisorio deve essere di almeno 20 mm.
- Per le dimensioni del foro di incasso e le istruzioni di installazione, fare riferimento alle figure di questo paragrafo.
- È necessario osservare una distanza minima tra il piano di cottura e la cappa sovrastante. Per ulteriori informazioni, fare riferimento al manuale d'uso della cappa.
- Applicare la guarnizione fornita in dotazione attorno al piano cottura (a meno che non sia già stata installata), dopo averne pulito la superficie.
- **Non installare il piano di cottura vicino alla lavastoviglie o lavatrice, affinché i circuiti elettronici non vengano a contatto con vapore ed umidità e quindi si danneggino.**
- Se sotto il piano di cottura viene installato un forno, accertarsi che sia provvisto di sistema di raffreddamento. Se la temperatura dei circuiti elettronici supera il valore massimo consentito, il piano di cottura si disattiva automaticamente; in questo caso, attendere alcuni minuti affinché la temperatura interna dei circuiti elettronici raggiunga un livello tollerabile, dopodiché sarà possibile accendere nuovamente il piano di cottura.

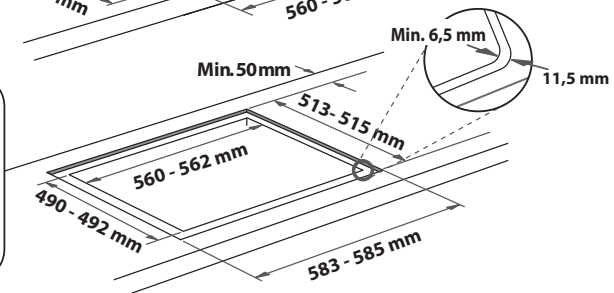
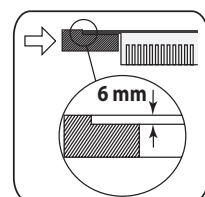
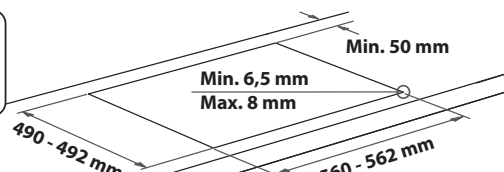
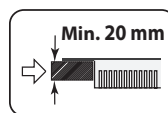
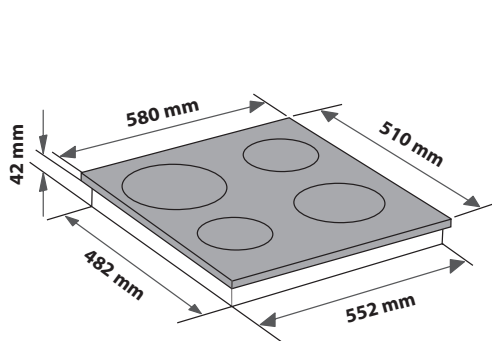
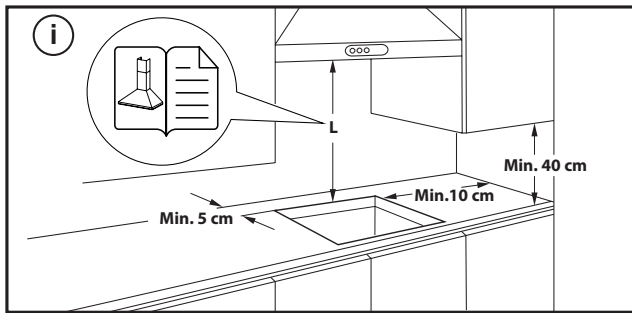


POSIZIONAMENTO DEL PIANO DI COTTURA

Dopo avere eseguito il collegamento elettrico (vedere la sezione "Collegamento elettrico"), posizionare ciascun fermo di fissaggio negli appositi agganci sui lati del piano di cottura, come indicato in figura. Spingere il piano di cottura nel foro e assicurarsi che il vetro sia orizzontale e parallelo al piano di lavoro. I fermi di fissaggio sono adatti per piani di lavoro di qualsiasi materiale (legno, marmo, ecc.).



DIMENSIONI E DISTANZE DA RISPETTARE



RIMOZIONE DEL PIANO COTTURA:

Per rimuovere il piano, prima di tutto scollegarlo dalla rete elettrica. Si consiglia vivamente di liberare la parte sottostante dal forno, cassetto, separatore o altro. Questo consente al tecnico di accedere alla parte inferiore del piano per sganciare le quattro clip con un cacciavite, sollevare il piano e rimuoverlo, evitando danni al piano di lavoro.

COLLEGAMENTO ELETTRICO

Il collegamento elettrico deve essere eseguito prima di collegare l'apparecchio alla rete.

Il cavo di alimentazione non è incluso nella confezione: ricorda di preparare il tuo cavo di alimentazione.




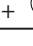
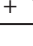
L'installazione deve essere eseguita da personale qualificato a conoscenza delle norme vigenti in materia di sicurezza e installazione. Nella fattispecie, l'installazione deve essere eseguita in ottemperanza alle direttive della locale società di fornitura elettrica.

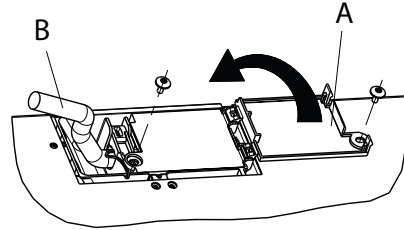
Controllare che la tensione indicata sulla targhetta matricola nella parte inferiore dell'apparecchio sia la stessa della rete elettrica domestica.

La messa a terra dell'apparecchio è obbligatoria per legge; utilizzare solo conduttori delle dimensioni appropriate (incluso il conduttore di terra).

CONNESSIONE ALLA MORSETTIERA

Per il collegamento elettrico, utilizzare un cavo H05RR-F o H05V2V2-F, come specificato nella tabella seguente.

TENSIONE DI ALIMENTAZIONE	CONDUTTORI (QUANTITÀ x DIMENSIONE)
220-240V ~ + 	3 x 4 mm ²
230-240V ~ + 	3 x 4 mm ² (solo per Australia)
220-240V 3~ + 	4 x 1,5 mm ²
380-415V 3N~ + 	5 x 1,5 mm ²
380-425V 2N~ + 	4 x 1,5 mm ²

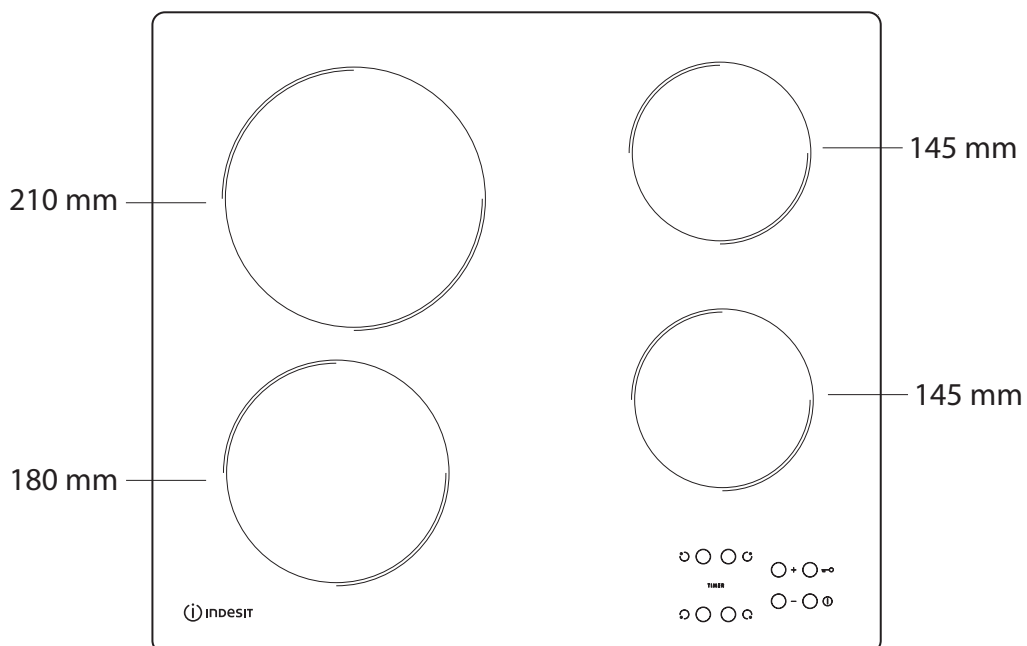


Il collegamento alla rete elettrica deve essere effettuato tramite un sezionatore onnipolare avente una distanza minima fra i contatti di 3 mm.

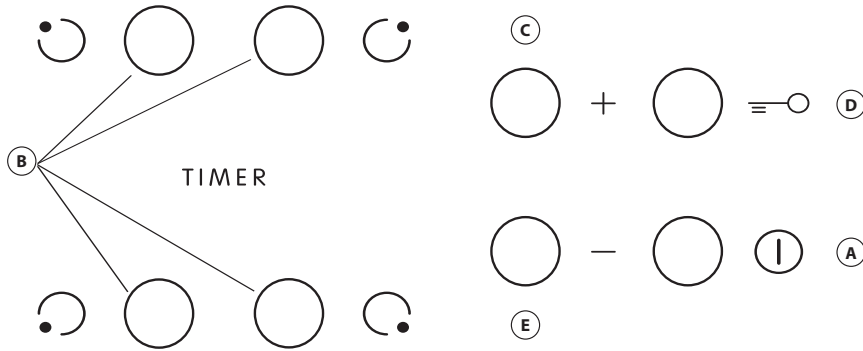
ATTENZIONE: il cavo di alimentazione deve essere sufficientemente lungo da permettere la rimozione del piano cottura dal piano di lavoro e deve essere posizionato in modo da non essere danneggiato o surriscaldato dal contatto con la base.

NOTA: il cavo di terra giallo/verde deve essere collegato al morsetto con il simbolo  e deve essere più lungo degli altri cavi.

- Rimuovere ca. 70 mm di guaina dal cavo di alimentazione (B).
- Rimuovere circa 10 mm di guaina dai fili. Inserire il cavo di alimentazione nel morsetto e collegare i fili alla morsetteria come indicato nello schema di connessione accanto alla morsetteria stessa.
- Fissare il cavo di alimentazione (B) con il fermacavo.
- Chiudere la morsetteria con il coperchio (A) fissandolo con l'apposita vite.
- Dopo aver eseguito il collegamento elettrico, montare il piano cottura dall'alto e agganciarlo alle molle di supporto.

DESCRIZIONE PRODOTTO

PANNELLO DI CONTROLLO



- A** Acceso/Spento
- B** Selezione zone di cottura e timer
- C-E** Aumento e diminuzione livello di potenza
- D** Blocco dei tasti

PRIMO UTILIZZO

Alla prima installazione, il pannello comandi effettua una verifica funzionale di circa 1 secondo, quindi si posiziona in automatico sulla funzione "Blocco tasti".

Per disattivare questa funzione, premere a lungo il tasto "D"; viene emesso un segnale acustico e il led corrispondente si spegne.

NOTA: se il prodotto dovesse resettarsi, ripetere la procedura sopra descritta.

USO QUOTIDIANO



ACCENSIONE/SPEGNIMENTO DEL PIANO DI COTTURA

Per accendere il piano cottura, premere il tasto "A" per circa 2 secondi. Nei 4 display delle zone di cottura appare l'indicazione "0". Se nessuna delle zone di cottura viene attivata entro 20 secondi, il piano di cottura si spegne automaticamente come misura di sicurezza.

ACCENSIONE E REGOLAZIONE DELLE ZONE DI COTTURA

Premere uno dei tasti "B" corrispondenti alla zona di cottura che si intende utilizzare. Selezionare il livello di potenza richiesto con i tasti "E" o "C". Le impostazioni disponibili vanno da 1 a 9. Premere simultaneamente i tasti "+/-" per annullare tutte le impostazioni.

IMPORTANTE: una volta impostato il livello di potenza desiderato, il comando si disattiva dopo 10 secondi.

Per modificare la potenza, sarà necessario premere nuovamente il tasto di selezione "B" e modificare la potenza premendo i tasti "E" o "C".

TIMER

Per impostare la funzione Timer selezionare la zona di cottura desiderata e indicare il livello di potenza, premere nuovamente il tasto della zona di cottura, si accende un punto luminoso nel display della zona da temporizzare. Sui due display lampeggia l'indicazione "00". Premere i tasti "C" o "E" per regolare il tempo da 1 a 99.

IMPORTANTE: dopo 10 secondi i display del timer visualizzeranno il livello di potenza delle altre zone di cottura.

Per visualizzare il tempo rimasto premere due volte la zona di cottura temporizzata.

FUNZIONE A

Questa funzione permette di abbassare automaticamente il livello di potenza della zona di cottura dal valore più alto (livello 9) a quello selezionato dall'utente per una successiva fase di cottura.

Per attivare questa funzione premere il tasto "+" quando si raggiunge il livello 9. Il display mostra "A" e "9" che lampeggiano alternativamente a bassa luminosità. A questo punto, scegliere il livello di potenza desiderato (inferiore a 9) con il tasto "-".

"A" e il livello selezionato lampeggiano alternativamente con bassa luminosità sul display.

La funzione si attiva una volta che "A" e il livello selezionato lampeggiano alternativamente con alta luminosità sul display.

Quando "A" non è più visibile sul display (la funzione "A" si spegne automaticamente dopo alcuni minuti, a seconda del livello di potenza impostato), la cottura prosegue con potenza inferiore e il display mostra solo il livello di potenza selezionato.

N.B.: questa funzione non è disponibile con il livello 9.



BLOCCO TASTI

Per attivare la funzione Blocco tasti, premere il tasto "D" finché sopra il tasto della funzione si accende un puntino. Il pannello di controllo è bloccato ad eccezione della funzione di spegnimento. La funzione rimane attiva anche dopo lo spegnimento e la riaccensione del piano e può essere disattivata premendo nuovamente il pulsante "D" fino allo spegnimento del puntino sopra il pulsante funzione.

Quando il piano è spento con il blocco tasti attivato per accendere il piano, disattivare prima la funzione di blocco tasti premendo nuovamente il pulsante "D" fino a quando il puntino sopra il pulsante funzione si spegne.

La presenza di acqua, liquido fuoriuscito dalle pentole o oggetti di qualsiasi genere appoggiati sui comandi possono provocare l'attivazione o la disattivazione involontaria del blocco tasti.



INDICATORE CALORE RESIDUO

Quando si spegne la zona di cottura, l'indicatore di calore residuo "H" rimane acceso o lampeggia, in alternanza con l'indicazione "0", finché la temperatura del piano cottura torna a livelli di sicurezza.

IMPORTANTE: La dotazione di sicurezza del piano di cottura comprende una funzione di spegnimento automatico. L'uso prolungato della stessa impostazione di potenza fa scattare lo spegnimento automatico della zona di cottura (ad esempio, dopo al massimo 1 ora di attivazione alla potenza massima, la zona di cottura si spegne).

IMPORTANTE: Per evitare danni permanenti al piano di cottura:

- non utilizzare pentole con il fondo non piatto;
- non utilizzare pentole in metallo con il fondo smaltato;
- con collocare pentole/tegami caldi sul pannello comandi.

TABELLA LIVELLI POTENZA

LIVELLO DI POTENZA		TIPO DI COTTURA	UTILIZZO LIVELLO (l'indicazione affianca l'esperienza e le abitudini di cottura)
Massima potenza	9	Bollire	Ideale per aumentare rapidamente la temperatura degli alimenti al punto di bollitura, nel caso di acqua, o per riscaldare rapidamente i liquidi di cottura.
	9 – 8	Scottare	Ideale per dorare, iniziare a cuocere, friggere alimenti congelati, rapida bollitura.
Alta potenza	8 – 7	Rosolare – mantenere l'ebollizione – grigliare	Ideale per soffriggere, mantenere al massimo il bollore, cuocere e grill (durata breve, 5-10 minuti).
	7 – 6	Friggere – cuocere – grigliare	Ideale per mantenere un basso bollore, cuocere e grigliare (durata media, 10-20 minuti), preriscaldare e friggere.
Media potenza	6 – 5	Frittura delicata	Ideale per friggere uova, frittate.
	5 – 4	Cuocere – cuocere a fuoco lento – stufare	Ideale per cotture prolungate (riso, salse, arrostiti, pesce) con liquidi (es. acqua, vino, brodo, latte), mantecare la pasta.
	4 – 3	Addensare – mantecare la pasta	
Low power	2 – 1	Mantenere il cibo caldo – mantecare i risotti	Ideale per mantenere in caldo cibi appena cotti (es. salse, zuppe, minestrone), mantecare risotti e tenere in caldo i piatti da portata.
Bassa potenza	1	Scongelare	Ideale per scongelare piccoli prodotti e sciogliere dolcemente cioccolato o burro.
Potenza zero	0	–	Piano in modalità stand-by o spento (possibile calore residuo di fine cottura, indicato da una "H").

Il piano di cottura è inoltre dotato di una funzione di arresto automatico che spegne la zona di cottura se non si modica il livello di potenza dopo un periodo di tempo specifico, in base all'impostazione di potenza stessa. Nella tabella è indicata la durata di tempo di ciascun livello di potenza.

LIVELLO DI POTENZA	TEMPO DI ARRESTO AUTOMATICO
0	30 secondi
1	10 ore
2	5 ore
3	5 ore
4	4 ore
5	3 ore
6	2 ore
7	2 ore
8	2 ore
9	1 ora

CURA E PULIZIA

Scollegare l'apparecchio dall'alimentazione.

- Non usare pulitrici a getto di vapore.
- Non utilizzare spugne abrasive o pagliette in quanto possono rovinare il vetro.
- Dopo ciascun utilizzo, pulire il piano di cottura (una volta raffreddato) per rimuovere eventuali depositi e macchie dovuti a residui di cibo.
- Lo zucchero e gli alimenti ad elevato contenuto di zuccheri danneggiano il piano di cottura e devono essere immediatamente rimossi.
- Sale, zucchero e sabbia possono graffiare la superficie in vetro.
- Utilizzare un panno morbido, carta assorbente da cucina o uno specifico detergente per piani di cottura (seguire le istruzioni del produttore).
- Le fuoriuscite di liquidi sulle zone di cottura possono causare spostamenti o vibrazioni delle pentole.
- Dopo aver pulito il piano cottura, asciugarlo accuratamente.

RISOLUZIONE DEI PROBLEMI

Se il piano cottura non funziona correttamente, prima di chiamare l'assistenza esaminare questa guida rapida per individuare il problema.

- Leggere e seguire le istruzioni riportate nella sezione "Uso quotidiano".
- Controllare che non vi siano interruzioni nella rete elettrica.
- Dopo avere pulito il piano di cottura, asciugarlo accuratamente.
- Se è stata selezionata una zona di cottura e sul display compare una "F" o una "ER" seguita da un numero, contattare il Servizio Assistenza e informarlo.
- Se il codice di errore è "F03", "ER03" o "E02", provare a risolverlo seguendo queste istruzioni:
 - Se compare l'errore "E02", assicurarsi di non aver premuto i pulsanti per più di 5 secondi, che non vi siano oggetti nell'area HMI e che sia pulita e asciutta - per la pulizia seguire il paragrafo "Manutenzione e Pulizia".
 - Se compare l'errore "F03", provare a spegnere e riaccendere il piano cottura.
 - Se viene visualizzato l'errore "F04", contattare il Servizio Assistenza e far sapere quale codice viene visualizzato.
- Se dopo un uso intensivo il piano non funziona significa che la temperatura all'interno del piano di cottura è troppo elevata. Attendete qualche minuto che il piano si raffreddi.

- Il fatto che il riscaldatore si spegne e si accende ciclicamente anche se sul display il livello di potenza non cambia, fa parte del normale funzionamento del piano di cottura. Il ciclo di accensione/spegnimento consente la regolazione della potenza del riscaldatore ed è completamente normale. In alcuni casi una protezione termica può spegnere il riscaldatore per un determinato periodo di tempo per evitare danni al vetro. Esempi di tali casi sono i seguenti: cottura per un lungo periodo di tempo a un livello elevato di potenza, utilizzo di pentole più piccole dell'elemento riscaldante, utilizzo di pentole dal fondo non piatto.
- Se il piano di cottura emette un breve suono senza che il cliente prema alcun pulsante, controllare che non vi siano eventuali fuoriuscite di liquidi sull'HMI. In tal caso, asciugare l'HMI e continuare a utilizzare il piano cottura. Lo spegnimento automatico del piano può essere causato dalla presenza di liquido sull'HMI. Asciugare l'HMI e riaccendere il piano cottura.

Se dopo le suddette verifiche il problema persiste, contattare il Servizio Assistenza più vicino.

SERVIZIO ASSISTENZA

Per ricevere un'assistenza più completa, registrare il prodotto su www.whirlpool.eu/register.

PRIMA DI CHIAMARE IL SERVIZIO ASSISTENZA:

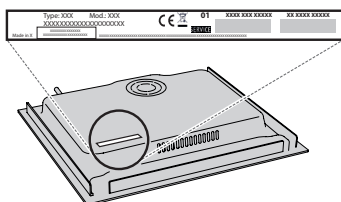
1. Verificare se non sia possibile eliminare da soli i guasti. Vedere "RISOLUZIONE DEI PROBLEMI".
2. Spegner e riaccendere l'apparecchio per assicurarsi che l'inconveniente sia stato eliminato.

SE DOPO I SUDDETTI CONTROLLI IL PROBLEMA PERSISTE, CONTATTARE IL SERVIZIO ASSISTENZA PIÙ VICINO.

Per ricevere assistenza, chiamare il numero indicato sul libretto di garanzia o seguire le istruzioni sul sito web www.whirlpool.eu.

Quando si contatta il nostro servizio assistenza, indicare sempre:

- una breve descrizione del guasto;
- il tipo e il modello esatti del prodotto;



- il numero di serie (è il numero che si trova dopo la parola SN sulla targhetta matricola posta sotto l'apparecchio); Il numero di serie è indicato anche nella documentazione;



Mod. XXX XXX
Ind.C. XXXX XXXX XXXX

Prod.N. 86999XXXXXXX S.N. XXXX XXXX XXXX

- il proprio indirizzo completo;
- il proprio numero di telefono.

Qualora si renda necessaria una riparazione, rivolgersi ad un centro del Servizio Assistenza (a garanzia dell'utilizzo di pezzi di ricambio originali e di una corretta riparazione).

WSKAZÓWKI DOTYCZĄCE BEZPIECZEŃSTWA

PRZECZYTAĆ I ŚCIŚLE PRZESTRZEGAĆ

Pobierz pełną instrukcję obsługi ze strony <http://docs.indesit.eu> lub zadzwoń na lokalny numer telefonu podany w książeczce gwarancyjnej.

Przed przystąpieniem do użytkowania urządzenia należy zapoznać się instrukcjami bezpieczeństwa. Przechowywać w podręcznym miejscu w celu korzystania w przyszłości.

W niniejszej instrukcji oraz na samym urządzeniu znajdują się ważne ostrzeżenia dotyczące bezpieczeństwa, które należy zawsze uwzględniać. Producent urządzenia nie ponosi odpowiedzialności za jakiegokolwiek szkody wynikłe z nieprzestrzegania niniejszych instrukcji bezpieczeństwa, nieprawidłowego użytkowania urządzenia lub niewłaściwego ustawienia elementów sterujących.

⚠ **OSTRZEŻENIE:** Jeśli powierzchnia płyty jest pęknięta, nie wolno używać urządzenia – ryzyko porażenia prądem.

⚠ **OSTRZEŻENIE:** Zagrożenie pożarem: Na powierzchniach grzejnych nie należy przechowywać żadnych przedmiotów.

⚠ **OSTROŻNIE:** Proces gotowania musi być nadzorowany. Proces krótkiego gotowania musi być nadzorowany przez cały czas.

⚠ **OSTRZEŻENIE:** Pozostawienie urządzenia bez nadzoru podczas przyrządzania potraw z użyciem oleju i tłuszczu może spowodować zagrożenie i prowadzić do powstania pożaru. NIGDY nie należy próbować gasić ognia wodą; zamiast tego należy wyłączyć urządzenie i zakryć płomień np. pokrywką lub kocem gaśniczym.

⚠ Nie używać płyty kuchennej jako powierzchni roboczej. Ścierki kuchenne i inne łatwopalne materiały powinny być przechowywane z dala od urządzenia, dopóki wszystkie jego podzespoły całkowicie nie ostygną – ryzyko pożaru.

⚠ Małe dzieci (0-3 lat) nie powinny przebywać w pobliżu urządzenia. Dzieci (3-8 lat)) nie powinny przebywać w pobliżu urządzenia bez stałego nadzoru. Dzieci w wieku 8 lat i starsze, osoby o ograniczonej sprawności fizycznej, sensorycznej lub umysłowej oraz osoby bez odpowiedniego doświadczenia i wiedzy mogą korzystać z urządzenia wyłącznie pod nadzorem lub po otrzymaniu odpowiednich instrukcji dotyczących bezpiecznego użytkowania urządzenia oraz pod warunkiem, że rozumieją zagrożenia związane z obsługą urządzenia. Nie pozwalać, by dzieci bawiły się urządzeniem. Dzieci nie mogą czyścić ani konserwować urządzenia bez nadzoru.

⚠ **OSTRZEŻENIE:** Urządzenie i jego łatwo dostępne części mogą nagrzewać się podczas pracy. Należy uważać, aby nie dotknąć elementów grzejnych. Dzieci do lat 8 nie mogą znajdować się w pobliżu urządzenia bez stałego nadzoru.

DOZWOLONE ZASTOSOWANIE

⚠ **OSTROŻNIE:** urządzenie nie zostało przeznaczone do obsługi za pomocą zewnętrznego urządzenia, np. timera, ani niezależnego systemu zdalnego sterowania.

⚠ To urządzenie jest przeznaczone do użytku w gospodarstwach domowych i do podobnych zastosowań, takich jak: kuchnie dla pracowników w sklepach, biurach i innych środowiskach roboczych; gospodarstwa rolne; wykorzystanie przez klientów w hotelach, motelach oraz innych obiektach mieszkalnych.

⚠ Wszelkie inne zastosowania (np. ogrzewanie pomieszczeń) są zabronione.

⚠ Urządzenie nie jest przeznaczone do użytku przemysłowego. Urządzenia nie należy używać na zewnątrz.

INSTALACJA

⚠ Urządzenie muszą przytrzymywać i montować co najmniej dwie osoby – ryzyko obrażeń. W celu odpakowania i instalacji używać rękawic ochronnych – ryzyko skaleczenia.

⚠ Instalacja, podłączenia do źródła wody i zasilania oraz wszelkie naprawy muszą być wykonywane przez wykwalifikowanego technika. Nie naprawiać ani nie wymieniać żadnej części urządzenia, jeśli nie jest to wyraźnie dozwolone w instrukcji obsługi. Nie należy pozwalać dzieciom zbliżać się do miejsca instalacji. Po rozpakowaniu urządzenia należy sprawdzić, czy nie zostało uszkodzone podczas transportu. W przypadku problemów należy skontaktować się z najbliższym serwisem technicznym. Po instalacji zbędne opakowanie (elementy z plastiku, styropianu, itd.) należy umieścić w miejscu niedostępnym dla dzieci – ryzyko uduszenia. Przed przystąpieniem do jakichkolwiek czynności montażowych urządzenie należy odłączyć od zasilania elektrycznego – ryzyko porażenia prądem. Podczas instalacji upewnić się, że urządzenie nie może uszkodzić przewodu zasilającego – ryzyko porażenia prądem. Urządzenie można uruchomić dopiero po zakończeniu instalacji.

⚠ Przed włożeniem piekarnika mebel należy przyciąć i dokładnie usunąć trociny i wióry.

⚠ Jeśli urządzenie nie zostało zainstalowane nad piekarnikiem, w szafce pod urządzeniem należy zamontować panel oddzielający (brak w zestawie).

OSTRZEŻENIA DOTYCZĄCE ELEKTRYCZNOŚCI

⚠ Musi istnieć możliwość odłączenia urządzenia od źródła zasilania przez wyjęcie wtyczki (jeśli wtyczka jest dostępna) lub za pomocą dostępnego przełącznika wielobiegunowego, zainstalowanego w przewodzie do gniazda zasilania zgodnie z obowiązującymi normami krajowymi; urządzenie musi także posiadać uziemienie zgodnie z obowiązującymi normami krajowymi.

⚠ Nie stosować przedłużaczy, rozdzielaczy i złączy pośrednich. Po zakończeniu instalacji użytkownik nie powinien mieć dostępu do podzespołów elektrycznych urządzenia. Nie korzystać z urządzenia na bosą lub będąc mokrym. Nie uruchamiać urządzenia, jeśli kabel zasilający lub wtyczka są uszkodzone, nie działa ono prawidłowo lub zostało uszkodzone bądź upuszczone.

⚠ Podłączenie za pomocą wtyczki przewodu zasilającego nie jest dozwolone, jeżeli nie stanowi ona fabrycznego wyposażenia produktu.


⚠ Jeśli przewód zasilający jest uszkodzony, jego wymianę na identyczny należy ze względów bezpieczeństwa zlecić przedstawicielowi producenta, serwisowi technicznemu lub innej wykwalifikowanej osobie w celu uniknięcia potencjalnego ryzyka – ryzyko porażenia prądem.

CZYSZCZENIE I KONSERWACJA

⚠ **OSTRZEŻENIE:** Przed przystąpieniem do czynności konserwacyjnych należy sprawdzić, czy urządzenie zostało wyłączone i odłączone od źródła zasilania – ryzyko porażenia prądem; Nigdy nie należy stosować urządzeń czyszczących parą – ryzyko porażenia prądem.

⚠ Nie należy używać środków ściernych, żrących, środków na bazie chloru ani środków do szorowania.

UTYLIZACJA OPAKOWANIA


Materiał, z którego wykonano opakowanie, w 100% nadaje się do recyklingu i jest oznaczony symbolem .

Części opakowania nie należy wyrzucać, lecz zutylizować zgodnie z przepisami określonymi przez lokalne władze.

UTYLIZACJA URZĄDZEŃ AGD

Urządzenie zostało wykonane z materiałów nadających się do recyklingu lub do ponownego użycia. Urządzenie należy utylizować zgodnie z miejscowymi przepisami dotyczącymi gospodarki odpadami. Aby uzyskać więcej informacji na temat utylizacji, odzyskiwania oraz recyklingu urządzeń AGD, należy skontaktować się z odpowiednim lokalnym urzędem, punktem skupu złomu AGD lub sklepem, w którym zakupiono urządzenie. To urządzenie jest oznaczone zgodnie z dyrektywą Unii Europejskiej 2012/19/UE w sprawie zużytego sprzętu elektrotechnicznego i elektronicznego (WEEE) oraz z przepisami dotyczącymi sprzętu elektrycznego i elektronicznego z 2013 r. (w brzmieniu zmienionym).

Właściwa utylizacja urządzenia pomoże zapobiec ewentualnym negatywnym skutkom dla środowiska oraz zdrowia ludzkiego.

Symbol  na urządzeniu lub w dołączonej do niego dokumentacji oznacza, że urządzenia nie wolno traktować jak zwykłego odpadu domowego. Należy je przekazać do punktu zajmującego się utylizacją i recyklingiem urządzeń elektrycznych i elektronicznych.

WSKAZÓWKI DOTYCZĄCE OSZCZĘDZANIA ENERGII

Aby w pełni wykorzystać ciepło resztkowe płyty grzewczej, należy wyłączyć ją kilka minut przed planowanym zakończeniem gotowania.

Podstawa garnka lub patelni powinna całkowicie pokrywać powierzchnię płyty grzewczej; użycie naczynia o mniejszej powierzchni podstawy niż płyta grzewcza spowoduje niepotrzebną utratę energii.

Podczas gotowania należy przykrywać garnki lub patelnie ściśle dopasowanymi pokrywkami i używać możliwie jak najmniej wody. Gotowanie bez pokrywki znacznie zwiększa zużycie energii.

Używać wyłącznie garnków i patelni z płaskim dnem.

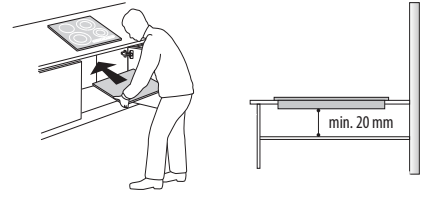
DEKLARACJA ZGODNOŚCI

To urządzenie spełnia wymagania ekoprojektu z Rozporządzenia Komisji (UE) nr 66/2014 oraz rozporządzeń z 2019 r. dotyczących ekoprojektu dla produktów związanych z energią oraz informacji na temat energii (zmiana) (wyjście z UE), zgodnie z normą europejską EN 60350-2.



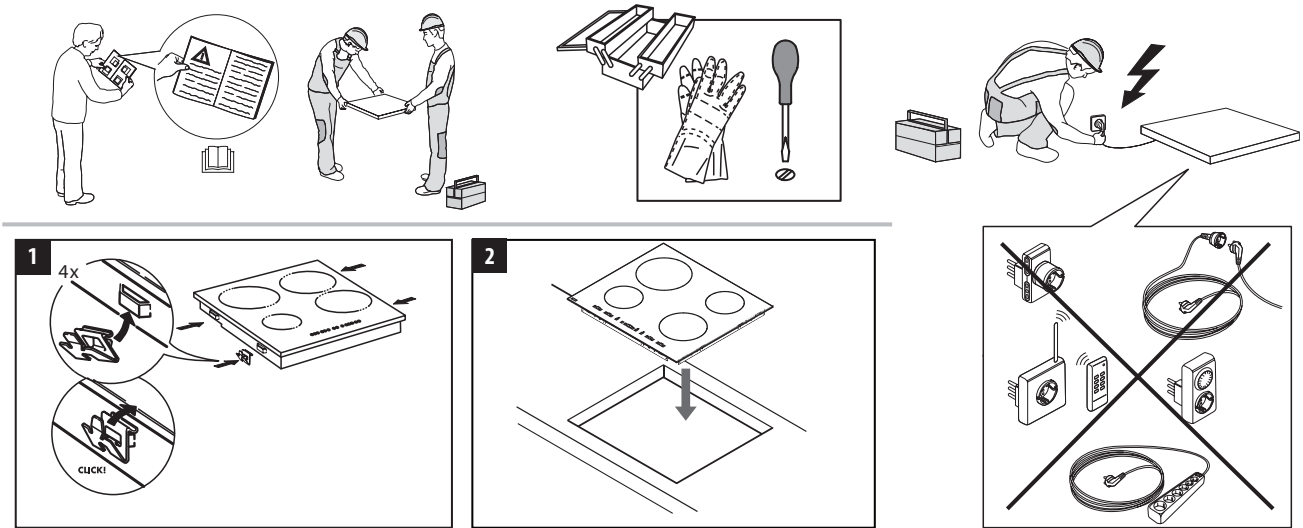
INSTALACJA

- Płyta grzewcza musi być wpuszczona w blat o głębokości co najmniej 20 mm.
- Nic nie może się znajdować między płytą kuchenną a piekarnikiem (prowadnice poprzeczne, wsporniki, etc.).
- Upewnij się, że przewód zasilający jest wystarczająco długi, aby umożliwić wygodne podłączenie.
- Odległość między dolną powierzchnią szklano-ceramicznej płyty grzejnej a szafką lub panelem oddzielającym musi wynosić przynajmniej 20 mm.
- Dla wbudowanych wymiarów i instalacji patrz rysunek w tym paragrafie.
- Należy zachować minimalną odległość między płytą kuchenną a okapem znajdującym się nad płytą. Więcej informacji na ten temat znajduje się w podręczniku użytkownika okapu.
- Po wyczyszczeniu powierzchni płyty kuchennej nałożyć na nią załączoną uszczelkę (chyba że została już założona).
- **Nie instalować płyty kuchennej nad zmywarką bądź pralką, aby zapobiec przedostawaniu się pary lub wilgoci do obwodów elektronicznych – mogłyby one ulec uszkodzeniu.**
- Jeśli piekarnik jest zainstalowany pod płytą kuchenną, należy upewnić się, że jest wyposażony w system chłodzący. Jeśli temperatura obwodów elektronicznych przekroczy maksymalną dozwoloną temperaturę, płyta kuchenna automatycznie się wyłączy; W takim przypadku należy odczekać kilka minut, aż wewnętrzna temperatura obwodów elektronicznych osiągnie dozwoloną wartość – w tym momencie będzie możliwe ponowne włączenie płyty grzejnej.

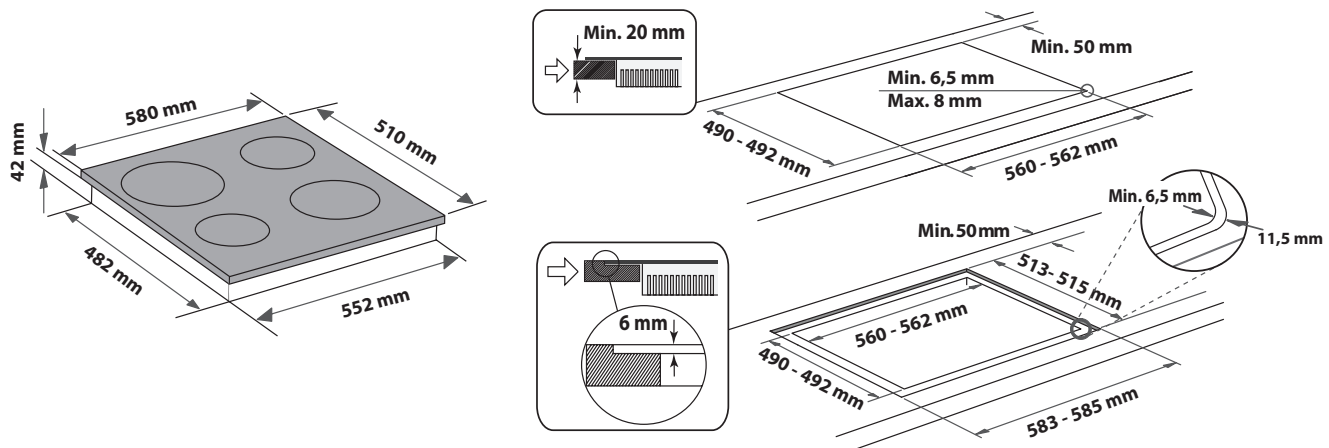
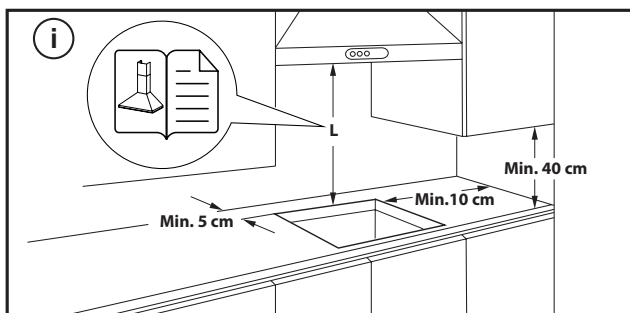


USYTUOWANIE PŁYTY GRZEJNEJ

Po wykonaniu podłączenia elektrycznego (patrz rozdział "Podłączenie elektryczne"), umieścić każdy zacisk mocujący w odpowiednim otworze na bocznych stronach płyty grzejnej, tak jak zostało to pokazane na rysunku. Następnie wepchnąć płytę grzejną do wnętrza wyciętego otworu i sprawdzić, czy płyta jest ułożona płasko i równoległe do blatu. Zaciski mocujące są zaprojektowane dla każdego typu materiału, z którego robione są blaty kuchenne (drewno, marmur, etc).



WYMIARY I ODLEGŁOŚCI KTÓRE NALEŻY ZACHOWAĆ



DEMONTAŻ PŁYTY:

Aby wyjąć płytę, najpierw należy ją odłączyć od zasilania elektrycznego. Zdecydowanie zaleca się uwolnienie spodniej części z piekarnika, szuflady, separatora lub innych zamontowanych elementów. Umożliwi to technikowi uzyskanie dostępu do dolnej części płyty w celu odkręcenia śrubokrętem czterech zacisków, podniesienia płyty i wyjęcia jej bez uszkodzenia blatu.

PODŁĄCZENIE ELEKTRYCZNE

Przed podłączeniem płyty do źródła zasilania należy wykonać podłączenie elektryczne.

Przewód zasilający nie wchodzi w skład zestawu, należy pamiętać, aby przygotować własny przewód zasilający.




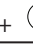
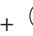
Instalacja musi być przeprowadzona przez wykwalifikowanego pracownika znającego aktualne przepisy dotyczące bezpieczeństwa i instalacji. W szczególności, instalacja musi być przeprowadzona zgodnie z przepisami obowiązującymi u lokalnego dostawcy prądu.

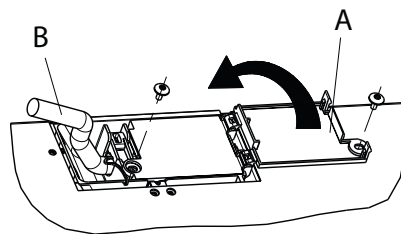
Upewnij się, że napięcie podane na tabliczce znamionowej znajdującej się w dolnej części urządzenia jest zgodne z napięciem w instalacji domowej.

Obowiązujące przepisy wymagają, by urządzenie było uziemione: należy użyć jedynie przewodów (w tym przewodu uziemiającego) o odpowiednim rozmiarze.

PODŁĄCZENIE DO BLOKU ZACISKÓW


Do podłączenia elektrycznego należy użyć przewodu typu H05RR-F albo H05V2V2-F, zgodnie ze specyfikacją określoną w poniższej tabeli.

NAPIĘCIE ELEKTRYCZNE	PRZEWODY ILOŚĆ x ROZMIAR
220-240V ~ + 	3 x 4 mm ²
230-240V ~ + 	3 x 4 mm ² (tylko Australia)
220-240V 3~ + 	4 x 1,5 mm ²
380-415V 3N~ + 	5 x 1,5 mm ²
380-425V 2N~ + 	4 x 1,5 mm ²



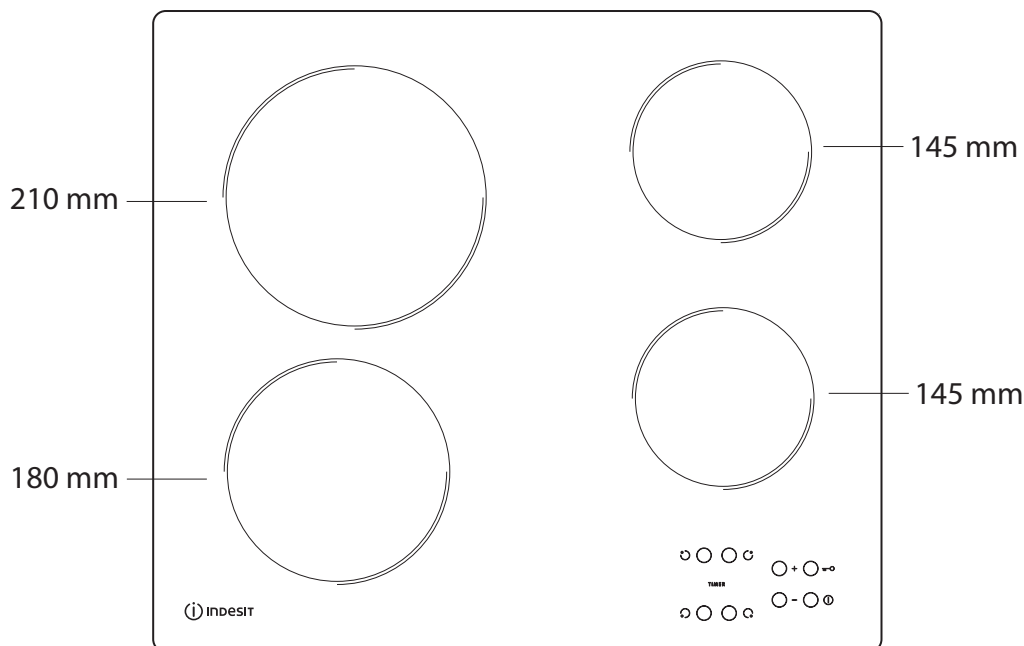
Urządzenie należy podłączyć do zasilania elektrycznego za pomocą wielobiegunowego wyłącznika o minimalnym odstępem między stykami wynoszącym 3 mm.

UWAGA: kabel zasilający musi być wystarczająco długi, tak aby można wyjąć płytę kuchenną z blatu i musi być tak usytuowany, aby zapobiec uszkodzeniu lub przegrzaniu spowodowanemu kontaktem z podstawą płyty.

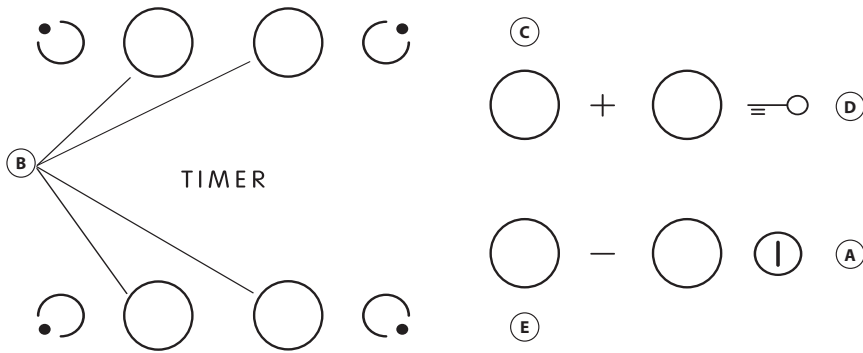
UWAGA: żółto-zielony przewód uziemienia powinien zostać podłączony do zacisku oznaczonego symbolem  i musi być dłuższy niż inne przewody.

- Zdjąć zewnętrzną osłonę z kabla zasilającego na długości ok. 70 mm (B).
- Zdjąć osłonę z przewodów na długości ok. 10 mm. Następnie włożyć przewód zasilający do zacisku i podłączyć przewody do bloku zacisków zgodnie ze schematem podłączenia znajdującym się obok samego bloku zacisków.
- Zamocować kabel zasilający (B) za pomocą zacisku.
- Zamknąć blok zacisków za pomocą pokrywki (A), mocując ją przy użyciu załączonego wkrętu.
- Po wykonaniu połączenia elektrycznego należy włożyć płytę kuchenną od góry i zaczepić ją na sprężynach mocujących, tak jak to pokazano na rysunku.

OPIS PRODUKTU



PANEL STEROWANIA



- A** Włączony/Wyłączony
- B** Wybór strefy grzewczej i programatora czasowego
- C-E** Zwiększenie i zmniejszenie ustawienia mocy grzania
- D** Blokada przycisków

PIERWSZE UŻYCIĘ

Przed pierwszą instalacją przez około 1 sekundę panel sterowania przeprowadza test działania, a następnie automatycznie włączana jest funkcja "Blokada przycisków". Aby dezaktywować tę funkcję, naciśnij i przytrzymaj przycisk "D". Zostanie

wyemitowany sygnał dźwiękowy, a następnie zgaśnię odpowiednia dioda led.

UWAGA: W przypadku resetowania należy powtórzyć procedurę opisaną powyżej.

CODZIENNA EKSPLOATACJA



WŁĄCZANIE/WYŁĄCZANIE PŁYTY

Aby włączyć płytę, naciśnij przycisk "A" i przytrzymaj przez około 2 sekundy. Na 4 strefach grzewczych zostanie wyświetlony symbol "0". Jeśli w ciągu 20 sekund żadna strefa grzewcza nie zostanie aktywowana, ze względów bezpieczeństwa płyta automatycznie wyłączy się.

WŁĄCZANIE I REGULACJA STREF GRZEWCZYCH

Naciśnij jeden z przycisków "B" odpowiadający strefie grzewczej, która ma być używana. Przy użyciu przycisku "E" lub "C" wybierz wymagane ustawienie mocy grzania. Ustawienie mocy grzania można wybrać w zakresie od 1 do 9. Aby anulować wszystkie ustawienia, naciśnij jednocześnie przyciski "+/-".

WAŻNE: sterowanie jest dezaktywowane po 10 sekundach od wyboru ustawienia mocy grzania.

Aby zmienił ustawienie mocy grzania, ponownie naciśnij przycisk wyboru "B", a następnie zmień ustawienie przy użyciu przycisku "E" lub "C".

TIMER (PROGRAMATOR CZASOWY)

Aby ustawić funkcję programatora czasowego, wybierz żadaną strefę grzewczą i ustawienie mocy, a następnie ponownie naciśnij przycisk strefy grzewczej, co spowoduje zaświecenie kropki na wyświetlaczu strefy grzewczej sterowanej przez programator czasowy. Na 2 wyświetlaczach zacznie migać wskazanie "00". Przy użyciu przycisku "E" lub "C" ustaw czas w zakresie od 1 do 99.

UWAGA: po 10 sekundach na wyświetlaczu pojawi się ustawienie mocy grzania pozostałych stref grzewczych.

Aby wyświetlić pozostały czas gotowania, naciśnij dwukrotnie przycisk strefy grzewczej sterowanej przez programator czasowy

FUNKCJA A

Funkcja ta umożliwi automatyczne obniżenie poziomu mocy strefy grzejnej od najwyższej wartości (poziom 9) do wybranej przez użytkownika dla późniejszego etapu gotowania.

Aby uruchomić tę funkcję, po osiągnięciu poziomu 9 należy nacisnąć przycisk "+". Na wyświetlaczu pojawiają się symbole "A" i "9" o przytłumionej barwie, migające naprzemiennie.

Można wówczas wybrać żądany poziom mocy (mniejszy niż 9), korzystając z przycisku "-".

Przytłumione symbole "A" i oznaczenie wybranego poziomu migają na przemian na wyświetlaczu.

Funkcja jest włączona, gdy symbol "A" i oznaczenie wybranego poziomu przyjmą normalny poziom intensywności i migają naprzemiennie na wyświetlaczu.

Gdy "A" nie jest już widoczne na wyświetlaczu (funkcja "A" wyłącza się automatycznie po kilku minutach, w zależności od ustawionego poziomu mocy), proces gotowania jest kontynuowany z niższą mocą, a wyświetlacz pokazuje tylko wybrany poziom mocy.

UWAGA: ta funkcja nie jest dostępna dla poziomu 9.



BLOKADA PRZYCIŚKÓW

Funkcję Blokadę przycisków włącza się przez naciśnięcie i przytrzymanie przycisku "D" do momentu zaświecenia kropki nad przyciskiem funkcji. Panel sterowania jest zablokowany za wyjątkiem funkcji wyłączenia. Funkcja pozostaje aktywna nawet po wyłączeniu i włączeniu płyty. Funkcję można dezaktywować przez ponowne naciśnięcie przycisku "D", aż do momentu zgaśnięcia kropki nad przyciskiem funkcji.

Aby włączyć płytę, która została wyłączona z blokadą przycisków, należy najpierw wyłączyć funkcję blokady przycisków, naciskając ponownie przycisk "D", aż zniknie kropka nad przyciskiem funkcji.

Obecność wody, płynu rozlanegoznaczyn na płytę, a także innych przedmiotów na elementach sterowniczych może być powodem przypadkowego i niepożądanego włączenia lub wyłączenia funkcji blokady przycisków.



WSKAŹNIK CIEPŁA RESZTKOWEGO

Po wyłączeniu strefy grzewczej wskaźnik ciepła resztkowego "H" świeci lub miga naprzemiennie z symbolem "0", aż temperatura płyty spadnie do bezpiecznego poziomu.

WAŻNE: Zabezpieczenia płyty obejmują funkcje automatycznego wyłączenia. Długotrwałe korzystanie z tego samego ustawienia mocy grzania powoduje automatyczne wyłączenie strefy grzewczej (na przykład po około 1 godzinie korzystania z maksymalnego ustawienia mocy grzania następuje wyłączenie strefy grzewczej).

WAŻNE: W celu uniknięcia trwałego uszkodzenia płyty grzejnej:

- nie należy używać garnków z dnem, które nie jest płaskie;
- nie należy używać metalowych garnków z emaliowanym dnem;
- nie należy umieszczać gorących garnków/patelni na panelu sterowania.

TABELA POZIOMÓW MOCY

POZIOM MOCY		TYP GOTOWANIA	UŻYCIE POZIOMU (wskazanie należy skorygować wg własnego doświadczenia oraz nawyków gotowania)
Maksymalna moc	9	Gotowanie	Doskonały do szybkiego zwiększenia temperatury żywności podczas szybkiego gotowania w wodzie lub szybkiego podgrzewania potraw w stanie płynnym.
	9 – 8	Obsmażanie	Doskonały do przyrumieniania, rozpoczynania gotowania, smażenia produktów mrożonych, szybkiego gotowania.
Wysoka moc	8 – 7	Przyrumienianie – utrzymywanie w stanie wrzenia – grillowanie	Doskonały do przyrumieniania, utrzymywania w stanie wysokiego wrzenia, gotowania i grillowania (krótki czas trwania, 5-10 minut).
	7 – 6	Smażenie – gotowanie – grillowanie	Idealny do utrzymywania niskiego poziomu wrzenia, gotowania i grillowania (średni czas trwania, 10-20 minut), podgrzewania i smażenia.
Średnia moc	6 – 5	Delikatne smażenie	Doskonały do smażenia jajek, omletów.
	5 – 4	Gotowanie – gotowanie na wolnym ogniu – duszenie	Doskonały do przepisów wymagających długiego gotowania (ryż, sosy, pieczenie, dania rybne) z płynnymi dodatkami (np. wodą, winem, bulionem, mlekiem), zaciąganych makaronów.
	4 – 3	Zagęszczanie – nadawanie daniom z makaronu kremowej konsystencji	
Niski poziom mocy	2 – 1	Utrzymywanie ciepła potraw – zaciąganie sosów do risotto	Idealny do utrzymywania gorącej temperatury dopiero co ugotowanych potraw (np. sosów, zup, minestrone), kremowego risotta i utrzymywania ciepła serwowanych dań.
Minimalna moc	1	Rozmrażanie	Doskonały do rozmrażania małych produktów i delikatnego roztopienia czekolady lub masła.
Zerowy poziom mocy	0	–	Płyta w trybie czuwania lub wyłączona (możliwa obecność ciepła resztkowego, pozostałego po zakończeniu gotowania, o czym informuje symbol "H").

Płyta jest również wyposażona w funkcję "automatycznego wyłączenia", która wyłącza strefę grzejną, jeśli po określonym czasie (zależnym od ustawionego poziomu mocy) nie nastąpi żadna modyfikacja poziomu grzania. W tabeli podano czas pracy do automatycznego wyłączenia dla poszczególnych poziomów mocy.

POZIOM MOCY	CZAS AUTOMATYCZNEGO WYŁĄCZENIA
0	30 sekund
1	10 godzin
2	5 godzin
3	5 godzin
4	4 godziny
5	3 godziny
6	2 godziny
7	2 godziny
8	2 godziny
9	1 godzina

KONSERWACJA I CZYSZCZENIE

Odłączyć urządzenie od zasilania.

- Nie wolno stosować urządzeń czyszczących parą.
- Nie używać gąbek ściernych ani myjek, gdyż mogą one uszkodzić szklaną powierzchnię.
- Po każdym użyciu należy oczyścić płytę (gdy jest zimna), aby usunąć osady i plamy powstałe od resztek żywności.
- Cukier oraz potrawy o wysokiej zawartości cukru niszczą płytę i należy je niezwłocznie usuwać z jej powierzchni.

- Sól, cukier i piasek mogą rysować szklaną powierzchnię.
- Należy używać miękkiej ściereczki, chłonnych ręczników kuchennych lub specjalnego przyrządu do czyszczenia płyty (postępować zgodnie z instrukcją producenta).
- Płyny rozlane na pola grzewczych mogą powodować przesuwanie się lub wibrowanie naczyń do gotowania.
- Po wyczyszczeniu płyty należy ją dokładnie osuszyć.

USUWANIE USTEREK

Jeśli płyta grzejna nie będzie działała poprawnie, przed skontaktowaniem się z serwisem technicznym należy zapoznać się z przewodnikiem wykrywania i usuwania usterek, aby ustalić przyczynę usterki.

- Przeczytać i zastosować się do instrukcji podanych w rozdziale "Codzienna eksploatacja".
- Należy sprawdzić, czy zasilanie elektryczne nie zostało wyłączone.
- Po wyczyszczeniu dokładnie osuszyć płytę.
- Jeśli po wybraniu strefy grzejnej na wyświetlaczu pojawia się symbol "F" lub "ER", a po nim liczba, należy poinformować o tym fakcie serwisu posprzedażowego.
- Jeśli kod błędu to "F03", "ER03" lub "E02", można podjąć próbę jego rozwiązania, postępując zgodnie z poniższymi instrukcjami:
 - W przypadku wystąpienia błędu "E02" należy się upewnić, że przyciski nie były naciskane dłużej niż 5 sekund, że w obszarze panelu sterowania nie znajdują się żadne przedmioty oraz że panel sterowania jest czysty i suchy – podczas czyszczenia należy postępować zgodnie z opisem w punkcie dotyczącym konserwacji i czyszczenia.
 - W przypadku wystąpienia błędu "F03" należy wyłączyć i ponownie włączyć płytę grzewczą.
 - W przypadku wystąpienia błędu "F04" należy skontaktować się z serwisem posprzedażowym i poinformować o numerze wyświetlanego kodu.

- Jeśli płyta kuchenna nie działa po intensywnym użytkowaniu, temperatura płyty jest zbyt wysoka. Odczekaj kilka minut, aż płyta kuchenna ostygnie.
- Cykliczne załączanie się i wyłączenie grzałki, nawet jeśli poziom mocy na wyświetlaczu nie ulega zmianie, jest częścią zwykłej pracy płyty. Cykl włączania/wyłączania umożliwia regulację mocy grzałki i jest całkowicie normalny. W niektórych przypadkach zabezpieczenie termiczne może wyłączyć na pewien czas grzałkę, aby zapobiec uszkodzeniu płyty. Może się to zdarzyć na przykład w następujących sytuacjach: długie gotowanie na wysokim poziomie mocy, używanie garnków mniejszych niż element grzejny, używanie garnków, których dno nie jest płaskie.
- Jeśli płyta emituje krótki dźwięk, a klient nie naciska żadnych przycisków, należy sprawdzić, czy nie doszło do rozlania płynu na panel sterowania. W takiej sytuacji należy osuszyć panel sterowania i kontynuować korzystanie z płyty. Jeśli płyta wyłączyła się automatycznie, przyczyną mogła być obecność płynu na panelu sterowania. W takiej sytuacji należy osuszyć panel sterowania i ponownie włączyć płytę.

Jeśli po przeprowadzeniu powyższych czynności urządzenie nadal nie działa prawidłowo, należy skontaktować się z najbliższym serwisem technicznym.

SERWIS TECHNICZNY

W celu uzyskania kompleksowej pomocy prosimy zarejestrować urządzenie na stronie www.indesit.com/register.

PRZED SKONTAKTOWANIEM SIĘ Z SERWISEM NALEŻY:

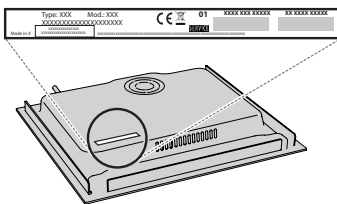
1. Sprawdzić, czy nie można samodzielnie rozwiązać problemu, zgodnie z zaleceniami opisanymi w paragrafie **USUWANIE USTEREK**.
2. Wyłączyć i ponownie włączyć urządzenie, aby sprawdzić, czy usterka nie ustąpiła.

JEŚLI PO PRZEPROWADZENIU POWYŻSZYCH CZYNNOŚCI URZĄDZENIE NADAL NIE DZIAŁA PRAWIDŁOWO, NALEŻY SKONTAKTOWAĆ SIĘ Z NAJBLIŻSZYM AUTORYZOWANYM SERWISEM TECHNICZNYM.

Aby otrzymać pomoc, należy zadzwonić pod numer znajdujący się w karcie gwarancyjnej lub postępować zgodnie z instrukcjami zamieszczonymi na stronie www.indesit.com.

Kontaktując się z naszym serwisem posprzedażnym, należy zawsze podać:

- krótki opis usterki;
- dokładny typ i model urządzenia;



- numer seryjny (numer po literach „SN” na tabliczce znamionowej znajdującej się pod urządzeniem). Numer seryjny jest również podany w dokumentacji;



Mod. XXX XXX

Ind.C. XXXX XXXX XXXX

Prod.N. 86999XXXXXXX S.N. XXXX XXXX XXXX

- dokładny adres;
- numer telefonu

Jeśli konieczna będzie naprawa, należy zwrócić się do autoryzowanego serwisu technicznego (zapewni to gwarancję zastosowania oryginalnych części zamiennych oraz właściwie przeprowadzonej naprawy).

Laadige alla täielik juhend veebisaidilt <http://docs.indesit.eu> või helistage garantiivoldikus toodud telefoninumbril.

Enne seadme kasutamist lugege need ohutusjuhised läbi. Hoidke need hilisemaks kasutuseks käepärast. Nendes juhistes ja seadmel endal on toodud olulised hoiatused, mida tuleb alati järgida. Tootja ei vastuta selle eest, kui ohutusjuhiseid ei järgita, seadet kasutatakse valesti või määratakse sellele sobimatu seadistus.

⚠ **HOIATUS!** Kui pliidiplaat on pragunenud, ei tohi seadet kasutada, sest tekib elektrilöögioht.

⚠ **HOIATUS!** Süttimisohu: ärge hoidke toiduvalmistamise pindadel esemeid.

⚠ **TÄHELEPANU!** Küpsetamist tuleb jälgida. Lühidat küpsetamist tuleb jälgida pidevalt.

⚠ **HOIATUS!** Rasva või õliga toidu küpsemine pliidiil ilma järelevalveta võib olla ohtlik, sest tekib tuleoht. **ÄRGE KUNAGI** püüdke kustutada tuld veega, selle asemel lülitage seade välja ja seejärel katke leegid näiteks kaane või tuletেকiga.

⚠ Ärge kasutage pliidiplaati töö- või abipinnana. Hoidke riided ja muud tuleohtlikud materjalid seadmest eemal, kuni kõik selle osad on täielikult maha jahtunud, vastasel juhul võib tekkida tuleoht.

LUBATUD KASUTUS

⚠ **TÄHELEPANU!** Seade ei ole mõeldud kasutamiseks välise lülitusseadmega, nagu taimer, ega eraldi kaugjuhtimissüsteemiga.

⚠ Seade on ettenähtud kasutamiseks kodumajapidamises ja teistes sarnastes kohtades, nagu: kaupluste, kontorite ja teiste töökeskkondade töötajate köögiipiirkondades; talumajapidamistes; klientide poolt hotellides, motellides, hommikusöögiga majutusasutustes ja teistes majutusettevõtetes.

⚠ Muud kasutusviisid (nt ruumide kütmine) pole lubatud.

⚠ Seade ei ole mõeldud professionaalseks kasutuseks. Ärge kasutage seadet välitingimustes.

⚠ Väikelapsed (vanuses 0-3 aastat) tuleb seadmest eemal hoida. Lapsed (vanuses 3-8 aastat) tuleb seadmest eemal hoida, kui nende järele ei valvata. Lapsed alates 8 eluaastast ja isikud, kes on piiratud füüsiliste, sensoorsete või vaimsete võimetega või ilma kogemuste või teadmisteta, võivad seadet kasutada ainult siis, kui nende tegevust jälgitakse või neid on seadme ohutuks kasutamiseks juhendatud ja nad mõistavad sellega seotud ohtusid. Jälgige, et lapsed seadmega ei mängiks. Lapsed ei tohi seadet ilma järelevalveta puhastada ega hooldada.

⚠ **HOIATUS!** Seade ja selle ligipääsetavad osad muutuvad kasutamisel kuumaks. Vältige kütteelementide puudutamist. Nooremad kui 8 aastased lapsed tuleb seadmest eemal hoida, kui nende tegevust pidevalt ei jälgita.

PAIGALDAMINE

⚠ Seadet tuleb käsitseda ja paigaldada kahe või enama inimesega, vastasel juhul tekib vigastuste oht. Lahtipakkimisel ja paigaldamisel kandke kaitsekindaid, sest tekib löikeoht.

⚠ Paigaldustööd, sh vee- (vajaduse korral) ja elektriühenduse loomine ning parandustööd, peab tegema vastava väljaõppega tehnik. Ärge parandage ega asendage seadme osi, kui seda kasutusjuhendis otseselt ei soovitata. Hoidke lapsed paigalduspiirkonnast eemal. Veenduge pärast seadme lahtipakkimist, et see ei ole transportimisel kahjustada saanud. Probleemide korral võtke ühendust edasimüüja või lähima teeninduskeskusega. Pärast paigalduse lõppu tuleb jäätmed (kile, vahtplast jms) panna hoiule lastele kättesaamatusse kohta, sest vastasel juhul tekib lämbumisoht. Enne paigaldamist tuleb seade vooluvõrgust lahti ühendada, sest tekib elektrilöögioht. Jälgige paigaldamise ajal, et seade ei kahjustaks toitejuhet, vastasel juhul tekib tule- või elektrilöögioht. Aktiveerige seade alles siis, kui paigaldamine on lõpetatud.

⚠ Kapi mõõtuloikamine peab toimuma enne seadme paikapanekut, eemaldada tuleb ka puidutükid ja saepuru.

⚠ Kui seadet ei paigaldata ahju kohale, peab selle alla vastavasse ruumi panema eraldusplaadi (ei ole komplektis).

ELEKTRIGA SEOTUD HOIATUSED

⚠ Seadet peab olema võimalik vooluvõrgust lahti ühendada kas pistikut pesast välja tõmmates, kui pistik on juurdepääsetav, või ligipääsetava mitmepooluselise lüliti abil, mis on paigaldatud pistikupesast ülesvoolu kooskõlas riiklike ohutuseeskirjadega. Seade peab olema maandatud vastavalt riiklikele elektriohtusstandarditele.


⚠ Ärge kasutage pikendusjuhtmeid, mitmikpesi ega adaptereid. Elektrilised komponendid ei tohi pärast paigaldamist olla kasutajale ligipääsetavad. Ärge kasutage seadet märjana ega paljajalu. Ärge kasutage seadet, kui selle toitejuhe või pistik on vigane, kui see ei tööta korralikult või kui see on kahjustatud või maha kukkunud.

⚠ Paigaldamine toitekaabli pistiku abil ei ole lubatud, välja arvatud juhul, kui toode on juba varustatud tootja poolt pakutava pistikuga.


⚠ Kui toitejuhe on kahjustatud, peab tootja, volitatud teenindus või muu kvalifitseeritud isik selle samaväärse juhtmega asendama, et vältida elektrilöögiohtu.

PUHASTAMINE JA HOOLDAMINE

⚠ **HOIATUS!** Enne hooldustööde tegemist veenduge, et seade on välja lülitatud ja toitevõrgust lahti ühendatud; ärge kunagi kasutage aurpuhastusseadmeid, sest nendega tekib elektrilöögioht.

 Ärge kasutage abrasiivseid või söövitavaid tooteid, klooripõhiseid puhastusvahendeid ega traatnuustikuid.

PAKKEMATERJALIDE ÄRAVISKAMINE


Pakkematerjal on 100% taaskäideldav ja märgistatud taaskäitlemise sümboliga .

Pakendi osad tuleb ära visata kohusetundlikult ja täies vastavuses kohalike jäätmekäitlusnõuetega.

MAJAPIDAMISSEADMETE UTILISEERIMINE

See seade on toodetud taaskasutatavatest materjalidest. Kõrvaldage seade vastavalt kohalikele jäätmekäitluseeskirjadele. Elektriliste majapidamisseadmete jäätmekäitluse kohta saate täpsemat teavet kohalikest omavalitsusest, majapidamisseadmete kogumispunktist või poest, kust seadme ostsite. Seade on tähistatud vastavuses Euroopa Parlamendi ja nõukogu direktiiviga 2012/19/EL elektri- ja elektroonikaseadmetest tekkinud jäätmete kohta (WEEE) ja elektri- ja elektroonikaseadmetest tekkinud jäätmete 2013. aasta määrustega (uuendatud sõnastus).

Tagades seadme korrektse utiliseerimise, aitate hoida ära potentsiaalseid negatiivseid mõjusid keskkonnale ja inimeste tervisele.

Sümbol  seadmel või seadmega kaasapandud dokumentatsioonis näitab, et seadet ei tohi käidelda olmejäätmena, vaid et see tuleb toimetada lähimasse elektri- ja elektroonikaseadmete kogumispunkti.

ENERGIASÄÄSTUNIPID

Kasutage maksimaalselt ära pliidiplaadi jääksoojust - lülitage pliit välja mõni minut enne toiduvalmistamise lõppu.

Poti või panni põhi peaks pliidirõnga täielikult katma; pliidirõngast väiksem nõu laseb osa energiast raisku.

Katke potid-pannid toiduvalmistamise ajal tihedalt sulguva kaanega ja kasutage võimalikult vähe vett. Kaaneta toiduvalmistamine suurendab märgatavalt energiatarbimist.

Kasutage ainult lameda põhjaga potte ja panne.

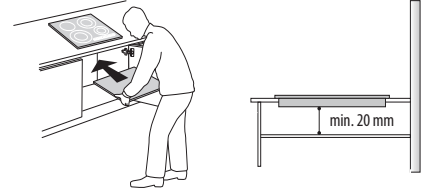
VASTAVUSDEKLARATSIOON

Seade on vastavuses komisjoni määruse (EL) 66/2014 ökodisaininõuetega, energiamõjuga toodete ökodisaini ja energiateabe (muudatus) (EL-ist väljaastumine) määrustega 2019, mis on kooskõlas Euroopa standardiga EN 60350-2.



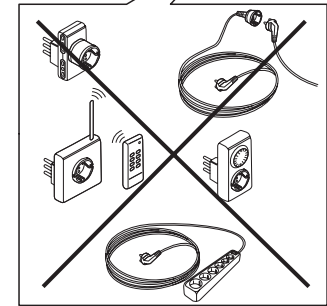
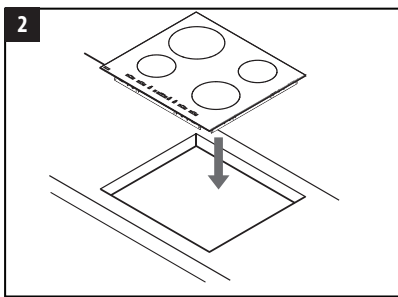
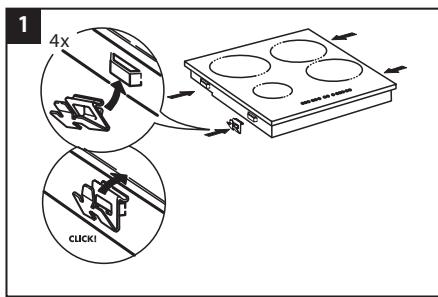
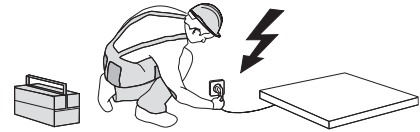
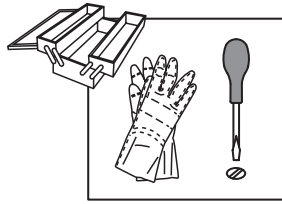
PAIGALDAMINE

- Pliidiplaat tuleb asetada vähemalt 20 mm sügavusele töötasapinnale.
- Pliidi ja ahju vahel ei tohi midagi olla (ristsiinid, klambrid, jne).
- Veenduge, et toitejuhe oleks mugavaks paigaldamiseks piisavalt pikk.
- Keraamilisest klaasist pliidiplaadi alumise külje ja kapi või eralduspaneeli vahele peab jääma vähemalt 20 mm ruumi.
- Integreerimise mõõtmeid ja paigaldust vaadake selles jaotises olevalt pildilt.
- Pliidiplaadi ja selle kohal oleva õhupuhasti vahel peab olema minimaalne kaugus. Vaadake lisateavet õhupuhasti kasutusjuhendist.
- Kui olete pliidi pinna puhastanud, pange sellele komplekti lisatud tihend (kui seda pole juba paigaldatud).
- **Ärge paigaldage pliiti nõudepesumasina ega pesumasina lähedale, siis ei pääse aur ja niiskus elektroonikasõlme, mis võiks seda kahjustada.**
- Kui pliidi alla paigaldatakse ahi, veenduge, et see oleks varustatud jahutussüsteemiga. Kui elektroonikasõlme temperatuur läheb lubatust suuremaks, lülitub pliit automaatselt välja; sel juhul oodake mõni minut, kuni elektroonikasõlme sisetemperatuur on piisavalt langenud ja pliidiplaadi saab uuesti sisse lülitada.

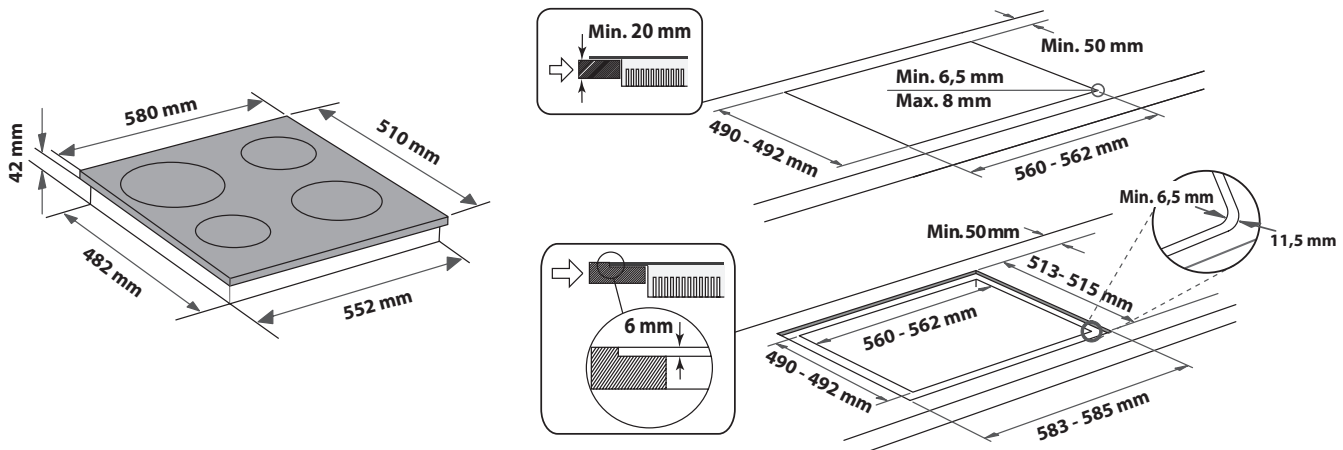
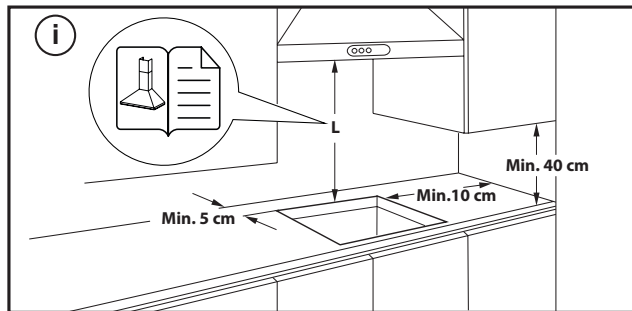


PLIIDIPLAADI PAIGUTAMINE

Pärast elektriga ühendamist (vt peatükk "Elektriühendus") asetage kõik kinnitusklambrid ettenähtud pesadesse pliidiplaadi külgedel, nagu pildil näidatud. See järel lükake pliidiplaat väljalõikesse ja veenduge, et klaas oleks tööpinnaga samal kõrgusel. Kinnitusklambrid sobivad kasutamiseks igat tüüpi tööpinna materjalidega (puut, marmor jne).



MÕÖTMED JA VAHEKAUGUSED



PLIIDIPLAADI EEMALDAMINE:

Pliidiplaadi eemaldamiseks ühendage see esmalt vooluvõrgust lahti. On tungivalt soovitatav eemaldada alumine osa ahjust, sahtlist, separaatorist või muust. See võimaldab tehnikul pääseda juurde pliidiplaadi alumisele osale, keeramaks kruvikeerajaga neli klambrit lahti, tõsta ja eemaldada pliidiplaat, vältides tööpinna kahjustamist.

ELEKTRIÜHENDUS

Elektriühendus tuleb luua enne seadme toitevõrku ühendamist.

Toitejuhe ei kuulu komplekti – ärge unustage toitejuhet ise ette valmistada.




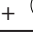
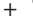
Paigalduse peavad teostama kvalifitseeritud töötajad, kes tunnevad kehtivaid ohutus- ja paigalduseeskirju. Paigaldus tuleb teha vastavalt kohaliku elektriettevõtte eeskirjadele.

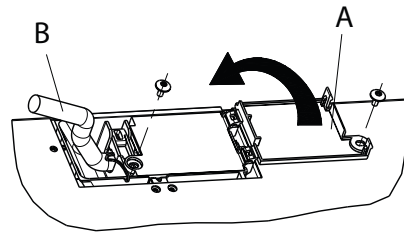
Veenduge, et seadme põhjal olevale andmeplaadile märgitud pinge vastab teie koduse vooluvõrgu pingele.

Eeskirjad, mis nõuavad seadme maandamist: Kasutage ainult sobiva suurusega elektrijuhte (k.a maandusjuht).

ÜHENDAMINE KLEMMIPLOKIGA


Kasutage elektriühenduseks kaablit H05RR-F või H05V2V2-F, nagu on viidatud allpool olevas tabelis.

TOITEPINGE	JUHTMED ARV x SUURUS
220-240V ~ + 	3 x 4 mm ²
230-240V ~ + 	3 x 4 mm ² (ainult Austraalia)
220-240V 3~ + 	4 x 1,5 mm ²
380-415V 3N~ + 	5 x 1,5 mm ²
380-425V 2N~ + 	4 x 1,5 mm ²

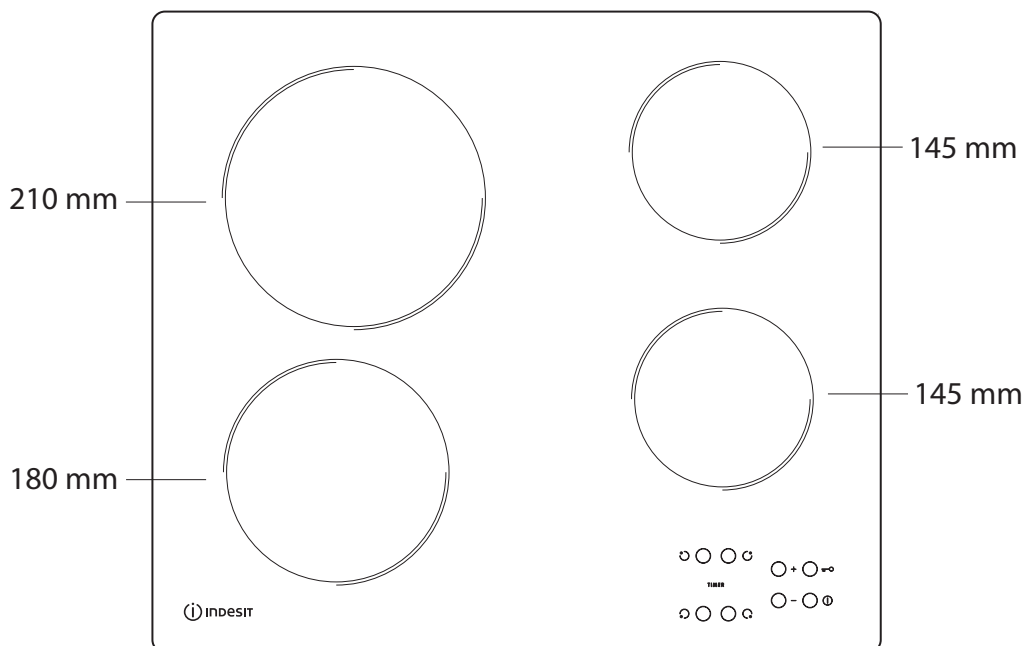


Seade tuleb ühendada toitevõrku kõiki poolusi lahutava lüliti kaudu, mille kontaktivahe on vähemalt 3 mm.

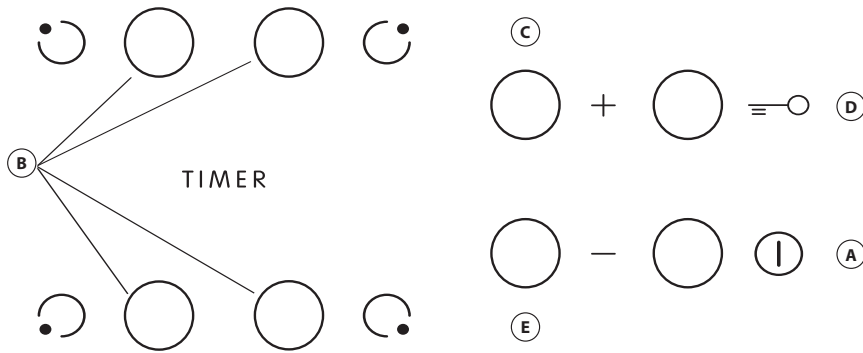
TÄHELEPANU! Toitekaabel peab olema piisavalt pikk, et pliiti saaks tööpinnalt eemaldada, ja see tuleb paigutada nii, et aluse tekitatud kuumus seda kahjustada ei saaks.

MÄRKUS: Kollane/roheline maandusjuhe tuleb ühendada klemmiga, mille on sümbol , ja see peab teistest juhtmetest pikem olema.

- Eemaldage ligikaudu 70 mm toitekaabli varjestusest (**B**).
- Eemaldage ligikaudu 10 mm juhtmete varjestusest. Seejärel sisestage toitekaabel kaabliklambrisse ja ühendage juhtmed klemmiplokiga, nagu on näidatud klemmiploki juures asuval ühendusdiagrammil.
- Kinnitage toitekaabel (**B**) kaabliklambriga.
- Sulgege klemmiplokk kattega (**A**), kinnitades selle komplekti lisatud kruviga.
- Pärast elektriga ühendamist paigaldage pliidiplaat ülevalt poolt ja kinnitage see tugivedrude külge, nagu joonisel näidatud.

TOOTE KIRJELDUS

JUHTPANEEL



- A** Sisse/välja
- B** Keeduala ja taimeriga valimine
- C-E** Kuumusseadistuse suurendamine ja vähendamine
- D** Nupulukk

ESIMEST KORDA KASUTAMINE

Esimesel paigaldamisel teostab juhtpaneel umbes 1 sekundi kestva funktsionaalse testi, pärast mida lülitub seade automaatselt funktsiooni "Nupulukk".

Funktsiooni väljalülitamiseks vajutage ja hoidke nuppu "D"; kostub helisignaali ja vastav led lülitub välja.

MÄRKUS: Lähtestamise korral korra eelkirjeldatud toimingut.

IGAPÄEVANE KASUTAMINE



PLIIDIPLAADI LÜLITAMINE SISSE/VÄLJA

Pliidi sisselülitamiseks hoidke nuppu "A" umbes 2 sekundit alla surutuna. 4 keeduala näidikut näitavad "0". Kui 20 sekundi jooksul ei lülitata ühtegi keeduala sisse, lülitub pliit turvameetmena automaatselt välja.

KEEDUALADE SISSELÜLITAMINE JA REGULEERIMINE

Vajutage ühte nuppudest "B" vastavalt keedualale, mida soovite kasutada hakata. Valige nuppudega "E" või "C" vajalik kuumusseadistus. Teiste valitavate küpsetuseadistuste seadistusvahemik on 1 kuni 9. Kõikide seadistuste tühistamiseks vajutage samaaegselt nuppe "+/-".

TÄHTIS: Juhtseadis lülitub 10 sekundit pärast kuumusseadistuse valimist välja.

Kuumusseadistuse muutmiseks vajutage esmalt uuesti valimisnupule "B" ja muutke seejärel nuppudega "E" või "C" seadistus.

TIMER

Taimerifunktsiooni seadistamiseks valige soovitud keeduala ja võimsustase, vajutage seejärel uuesti keeduala nuppu ja taimerit juhitud keeduala näidikule ilmub valgustäpp. Näidik "00" vilgub 2 näidikul. Vajutage nuppe "E" või "C", et seadistada aeg vahemikus 1 kuni 99.

TÄHELEPANU! 10 sekundi möödudes näitavad taimerinäidikud teiste keedualade võimsusseadistust.

Järelejäänud valmistamisaja vaatamiseks vajutage kaks korda taimeriga juhitud keeduala nuppu.

A FUNKTSIOON

See funktsioon võimaldab automaatselt vähendada keeduala võimsustaset kõrgeimalt väärtuselt (tase 9) kasutaja poolt hilisemaks toiduvalmistamisetapiks valitud tasemele.

Selle funktsiooni aktiveerimiseks vajutage 9. taseme saavutamisel esmalt nuppu "+".

Ekraanil on "A" ja "9" vilgub vaheldumisi väikese heledusega.

Sel hetkel valige soovitud võimsustase (alla 9) nupuga "-".

"A" ja valitud tase vilguvad ekraanil vaheldumisi vähese heledusega.

Funktsioon aktiveeritakse kui "A" ja valitud tase vilgub ekraanil vaheldumisi intensiivse heledusega.

Kui "A" pole enam ekraanil nähtav (funktsioon "A" lülitub olenevalt seadistatud võimsustasest mõne minuti pärast automaatselt välja), jätkub küpsetusprotsess väiksema võimsusega ja ekraanil kuvatakse ainult valitud võimsustase.

N.B.: see funktsioon pole 9. tasemega võimalik.

NUPULUKK

Funktsioon Nupulukk lülitub sisse, kui hoida nuppu "D" all kuni funktsiooninupu kohale ilmub valgustäpp. Juhtpaneel on lukustatud; ainsana toimib väljalülitamise funktsioon. Funktsioon jääb sisse ka pärast pliidi välja- ja seejärel uuesti sisselülitamist ning seda saab välja lülitada vajutades uuesti nuppu "D" kuni funktsiooninupu kohal olev täpp ära kustub.

Kui pliidiplaat on välja lülitatud ja nupulukk on pliidiplaadi sisselülitamiseks aktiveeritud, deaktiveerige esmalt nuppu lukustusfunktsioon, vajutades uuesti nuppu D, kuni funktsiooninupu kohal olev punkt kustub.

Vee olemasolu, pottidest mahaloksunud vedelik või mis tahes juhtnuppudele toetuvad esemed võivad nuppu luku kogemata sisse või välja lülitada.

JÄÄKKUUMUSE NÄDIK

Keeduala väljalülitamisel jääb jääkkuumuse näidik "H" põlema või vilgub vahelduvalt kirjega "0", kuni pliidi temperatuur on langenud ohutule tasemele.

TÄHELEPANU! Pliidi turvafunktsioonide hulka kuulub ka automaatse väljaülitamise funktsioon. Sama kuumusseadistusega pikaajaline kasutamine käivitab keeduala automaatse väljaülitamise (näiteks pärast 1 tundi maksimaalsel kuumusseadistusel lülitub keeduala välja).

TÄHELEPANU! Vältimaks pliidiplaadi jäädavat kahjustamist:

- ärge kasutage potte, mille põhi ei ole tasane;
- ärge kasutage emailitud põhjaga metallpotte;
- ärge pange kuumi potte/panne juhtpaneeli peale.

VÖIMSUSTASEME TABEL

VÖIMSUSTASE		TOIDUVALMISTAMISE TÜÜP	TASEME KASUTAMINE (tähistab toiduvalmistamise kogemust ja harjumusi)
Maksimumvõimsus	9	Keetmine	Ideaalne toidu temperatuuri kiireks tõstmiseks kuni kiire keemiseni vee või küpsetusvedelike kiireks kuumutamiseks.
	9 – 8	Kõrvetamine	Ideaalne pruunistamiseks, küpsetamise alustamiseks, külmutatud toodete praadimiseks, kiireks keetmiseks.
Kõrge võimsus	8 – 7	Pruunistamine – keetmise säilitamine – grillimine	Ideaalne pruunistamiseks, intensiivse keetmise säilitamiseks, küpsetamiseks ja grillimiseks (lühiajaline, 5-10 minutit).
	7 – 6	Praadimine – keetmine – grillimine	Ideaalne madalal kuumusel hoidmiseks, toiduvalmistamiseks ja grillimiseks (keskmine kestus, 10-20 minutit), eelkuumutamiseks ja praadimiseks.
Keskmine võimsus	6 – 5	Õrn praadimine	Ideaalne munade, omleti praadimiseks.
	5 – 4	Keetmine – moorimine – hautamine	Ideaalne pikemaks keetmiseks (riis, kastmed, praed, kala) vedelikega (nt vesi, vein, puljong, piim), pasta kooses keetmine.
	4 – 3	Paksendamine – pasta kooses keetmine	
Väike võimsus	2 – 1	Toidu soojana hoidmine – risotto hautamine	Ideaalne äsja valminud toidu kuumana hoidmiseks (nt kastmed, supid, minestrone), risotode hautamiseks ja serveeritavate roogade soojas hoidmiseks.
Miinumvõimsus	1	Sulatamine	Ideaalne väikeste toodete sulatamiseks ja šokolaadi või või õrnaks sulatamiseks.
Nullvõimsus	0	–	Pliidiplaat on oote- või väljalülitatud režiimis (võimalik küpsetamise lõpp, tähistatud tähega "H").

Pliidiplaadil on ka automaatse väljalülitamise funktsioon, mis lülitab sõltuvalt võimsuse seadistusest keeduala välja, kui võimsustaset teatud aja jooksul ei muudeta. Tabelis on iga võimsustaseme kestus.

VÖIMSUSASTE	AUTOMAATNE VÄLJALÜLITUSAEG
0	30 sekundit
1	10 tundi
2	5 tundi
3	5 tundi
4	4 tundi
5	3 tundi
6	2 tundi
7	2 tundi
8	2 tundi
9	1 tund

HOOLDAMINE JA PUHASTAMINE

⚠ Võtke pistik seinakontaktist välja.

- Ärge kasutage aurupuhastusseadmeid.
- Ärge kasutage abrasiivseid švamme ega küürimispatju, kuna need võivad klaasi kahjustada.
- Puhastage pliidiplaat pärast iga kasutamist (kui pliidiplaat on jahe), et eemaldada kõik toidujäägid ja -plekid.
- Suhkur ja kõrge suhkruisaldusega tooted kahjustavad pliidiplaati ning need tuleb kohe eemaldada.

- Sool, suhkur ja liiv võivad kriimustada klaaspinda.
- Kasutage pehmet lappi, imavat köögipaberit või spetsiaalset pliidiplaadi puhastajat (järgige tootja juhiseid).
- Keedualale vedeliku sattumisel võivad keedunõud liikuma või vibreerima hakata.
- Pärast plaadipliidi puhastamist kuivatage see põhjalikult.

RIKKEOTSING

Kui pliidiplaat ei tööta korralikult, püüdke enne müügijärgse teeninduse poole pöördumist veaotsingu juhendi abil probleem ise kindlaks teha.

- Lugege läbi jaotis "Igapäevane kasutamine" ja järgige selles toodud juhiseid.
- Kontrollige, et voolutoide ei oleks välja lülitatud.
- Kuivatage pliidiplaat pärast selle puhastamist põhjalikult.
- Kui keeduala on valitud ja ekraanil kuvatakse "F" või "ER" ja seejärel number, võtke ühendust müügijärgse teenindusega ja teavitage neid.
- Kui veakoodiks on "F03", "ER03" või "E02", proovige seda lahendada, järgides järgmisi juhiseid:
 - Kui kuvatakse rike "E02", veenduge, et te pole nuppe üle 5 sekundi vajutanud, HMI-alal pole ühtegi eset ning et see oleks puhas ja kuiv – puhastamisel järgige hoolduse ja puhastamise lõiku.
 - Kui kuvatakse tõrge "F03", proovige pliidiplaat välja ja uuesti sisse lülitada.
 - Kui kuvatakse tõrge "F04", võtke ühendust müügijärgse teenindusega ja andke neile teada, millist koodi kuvatakse.
- Kui pliit ei tööta pärast intensiivset kasutamist, on põhjuseks pliidi liiga kõrge sisemine temperatuur. Oodake mõni minut, kuni pliit maha jahtub.

- Kui kütteseade ei ole pidevalt sisse lülitatud, vaid lülitub tsükliliselt sisse ja välja, isegi kui ekraanil kuvatav võimsustase ei muutu, on see osa pliidiplaadi tavapärasest tööst. Sisse/välja tsükkel võimaldab reguleerida küttekeha võimsust ja on täiesti normaalne. Mõnel juhul võib termokaitse küttekeha mõneks ajaks välja lülitada, et vältida klaasi kahjustamist. Selliste juhtumite näited on: pikka aega suure võimsusega küpsetamine, kasutades kütteelemendist väiksemaid potte, mitte lamedapõhjalisi potte.
- Kui pliidiplaadilt kostab lühikest heli, ilma et klient ühtki nuppu vajutaks, kontrollige, kas HMI-le on sattunud vedelikku. Kuivatage HMI ja lülitage jätkake pliidiplaadi kasutamist. Kui pliidiplaat on automaatselt välja lülitatud, võib selle põhjuseks olla HMI vedeliku olemasolu. Kuivatage HMI ja lülitage pliidiplaat uuesti sisse.

Kui pärast ülalpool toodud kontrolle jääb viga püsima, pöörduge lähimasse müügijärgsesse teenindusse.

MÜÜGIJÄRGNE TEENINDUS

Parema tugiteenuse saamiseks registreerige oma seade aadressil www.indesit.com/register.

ENNE MÜÜGIJÄRGSESSE TEENINDUSSE HELISTAMIST:

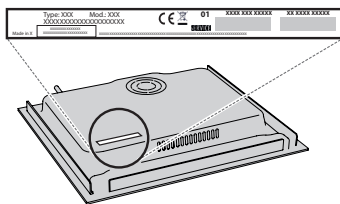
1. Proovige probleemi ise **VEAOTSINGU JUHENDIS** olevate näpunäidete abil lahendada.
2. Lülitage seade välja ja uuesti sisse, et näha, kas probleem on kõrvaldatud.

KUI VIGA JÄÄB PÜSIMA KA PÄRAST ÜLALKIRJELDATUD KONTROLLIMISI, VÕTKE ÜHENDUST LÄHIMA TEENINDUSEGA.

Abi saamiseks helistage garantiijuhendis toodud numbril või järgige juhiseid veebilehelt www.indesit.com.

Kui võtate ühendust meie klientidele mõeldud müügijärgse teenindusega, olge valmis esitama järgmisi andmeid:

- tõrke lühike kirjeldus;
- seadme tüüp ja täpne mudel;



- seerianumber (number, mis järgneb seadme all oleval andmesildil tähisele SN). Seerianumber on toodud ka dokumentatsioonis;



Mod. XXX XXX

Ind.C. XXXX XXXX XXXX

Prod.N. 86999XXXXXXX S.N. XXXX XXXX XXXX

- teie täielik aadress;
- teie telefoninumber

Kui seadet on vaja ükskõik millisel viisil remontida, pöörduge volitatud teenindusse (see garanteerib originaalvaruosade kasutamise ja kvaliteetse remondi).

Išsamias naudotojo instrukcijas galite atsisiųsti iš svetainės <http://docs.indesit.eu> arba skambinkite telefonu, kuris nurodytas garantijos knygelėje.

Prieš naudodami prietaisą, perskaitykite šias saugos instrukcijas. Išsaugokite jas ateičiai.

Šiame vadove ir ant prietaiso pateikti svarbūs saugos perspėjimai, kuriuos būtina perskaityti ir visada laikytis. Gamintojas neprisima atsakomybės, jei nesilaikoma šioje saugos instrukcijoje pateiktų nurodymų, prietaisas naudojamas netinkamai arba neteisingai nustatomi valdymo įtaisai.

⚠ **ĮSPĖJIMAS.** Jei kaitlentės paviršius subraižytas, prietaiso nenaudokite – kyla elektros smūgio pavojus.

⚠ **ĮSPĖJIMAS.** Ugnies pavojus: nelaikykite daiktų ant gaminimo paviršiaus.

⚠ **DĖMESIO.** Stebėkite visą gaminimo procesą. Negalima palikti be priežiūros net trumpo gaminimo proceso.

⚠ **ĮSPĖJIMAS.** Jei ant kaitlentės neprižiūrint verda riebalai arba aliejus, tai gali būti pavojinga – kyla gaisro pavojus. **JOKIU BŪDU** nebandykite liepsnos gesinti vandeniu; prietaisą išjunkite ir liepsną uždenkite, pavyzdžiui, dangčiu arba liepsnai gesinti skirtu audiniu.

⚠ Kaitlentės nenaudokite kaip darbo stalo ar atramos. Kol visi prietaiso komponentai visiškai neatvės, stenkitės nepisiliesti prie prietaiso drabužiais arba kitomis lengvai užsiliepsnojančiomis medžiagomis – kyla gaisro pavojus.

⚠ Labai maži vaikai (0–3 metų) turi būti saugiu atstumu nuo prietaiso. Vyresni vaikai (3–8 metų) turi būti saugiu atstumu nuo prietaiso, nebent visą laiką yra prižiūrimi. Šį prietaisą gali naudoti vaikai nuo 8 metų ir vyresni bei asmenys, turintys psichinį, jutiminį ar protinį neįgalumą arba tie, kuriems trūksta patirties arba žinių, jeigu jie yra prižiūrimi ir instruktuojami apie saugų prietaiso naudojimą ir supranta su tuo susijusius pavojus. Neleiskite vaikams žaisti su prietaisu. Neprižiūrimi vaikai neturėtų valyti ir prižiūrėti prietaiso.

⚠ **ĮSPĖJIMAS.** Prietaisas ir pasiekiamos jo dalys naudojant įkaista. Būkite atsargūs ir nepisilieskite prie kaitinimo elementų. Prietaisą reikia saugoti nuo jaunesnių nei 8 metų vaikų, jeigu jie nėra nuolat prižiūrimi.

LEISTINAS NAUDOJIMAS

⚠ **DĖMESIO.** Prietaisas nėra pritaikytas valdyti naudojant išorinį perjungimo įrenginį, pvz., laikmatį arba atskirą nuotolinio valdymo sistemą.

⚠ Šis prietaisas skirtas naudoti namų ūkyje ir panašiose patalpose, pavyzdžiui: parduotuvių, biurų ir kitų įstaigų darbuotojų virtuvėse; gyvenamuosiuose namuose-ūkiuose; viešbučiuose, moteliuose, nakvynės vietose, kur patiekiami pusryčiai (angl. "Bed and Breakfast"), bei kitose apgyvendinimo įstaigose.

⚠ Kitoks naudojimas draudžiamas (pvz., kambariams šildyti).

⚠ Šis prietaisas nėra skirtas profesionaliam naudojimui. Prietaiso nenaudokite lauke.

MONTAVIMAS

⚠ Prietaisą perkelti ir įrengti turi du ar daugiau žmonių. Priešingu atveju galite susižeisti. Mūvėkite apsaugines pirštines, kai išpakuojate ir montuojate prietaisą. Priešingu atveju galite įsipjauti.

⚠ Įrengimą, taip pat prijungimo prie vandentiekio, elektros tinklo ir remonto darbus turi atlikti kvalifikuotas technikas. Prietaisą remontuoti ar jo dalis keisti galima tik tuo atveju, jei tai nurodyta naudotojo vadove. Pasirūpinkite, kad montavimo vietoje nebūtų vaikų. Išpakavę prietaisą, patikrinkite, ar jis nebuvo pažeistas transportuojant. Jei kyla problemų, kreipkitės į prekybos atstovą arba artimiausią techninės priežiūros po pardavimo tarnybą. Įrengus prietaisą, pakuotės medžiagas (plastiką, polistireno dalis ir pan.) laikykite vaikams nepasiekiamoje vietoje, kad nekiltų uždusimo pavojus. Prieš vykdant bet kokius įrengimo darbus, prietaisą būtina išjungti iš elektros tinklo, kad nekiltų elektros smūgio pavojus. Pasirūpinkite, kad montuojant, prietaisas nepažeistų maitinimo laido. Priešingu atveju gali kilti gaisro ar elektros smūgio pavojus. Prietaisą įjungti galima tik baigus įrengimo darbus.

⚠ Spintelės pjovimo darbus atlikite prieš montuodami prietaisą į baldus ir nuvalykite visas medienos drožles bei pjuvenas.

⚠ Jei prietaisas nėra montuojamas virš orkaitės, po prietaisu reikia įstatyti skiriamąją plokštę (nepriedama).


ĮSPĖJIMAI DĖL ELEKTROS


⚠ Prietaisą reikia sumontuoti taip, kad jį būtų galima išjungti iš elektros tinklo ištraukus maitinimo laido kištuką arba iki elektros lizdo pagal sujungimų taisyklės sumontuotu daugiapoliu jungikliu ir prietaisas turi būti įžemintas pagal nacionalinius elektros saugos standartus.

⚠ Nenaudokite ilginamųjų laidų, tinklo lizdo skirstytuvų ir adapterių. Prietaisą įrengus, jo elektros komponentai turi būti nepasiekiami naudotojui. Prietaiso nenaudokite, jei jūsų kūnas yra drėgnas arba esate basi. Šio prietaiso nenaudokite, jei pažeistas jo maitinimo laidas arba kištukas, jei prietaisas veikia netinkamai arba jei jis yra pažeistas ar buvo numestas. ⚠ Įrengti naudojant maitinimo laido kištuką draudžiama, išskyrus atvejus, kai gamintojas pateikia gaminį su kištuku.


⚠ Jei maitinimo laidas pažeistas, jį tokiu pačiu turi pakeisti gamintojas, jo įgaliotas techninės priežiūros darbuotojas ar kitas kvalifikuotas asmuo – taip išvengsite elektros smūgio pavojus.

VALYMAS IR PRIEŽIŪRA

 ĮSPĖJIMAS. Prieš atlikdami bet kokius techninės priežiūros darbus, prietaisą išjunkite ir atjunkite nuo elektros tinklo, kad nekiltų elektros smūgio pavojus; jokių būdu nenaudokite valymo garais įrenginių – kyla elektros smūgio pavojus.

 Nenaudokite braižančių ar ėsdinančių produktų, valiklių su chloru ir šveistukų.


PAKAVIMO MEDŽIAGŲ IŠMETIMAS

Pakavimo medžiagos yra 100 % perdirbamos ir pažymėtos perdirbimo simboliu .

Todėl įvairias pakuotės medžiagas reikia išmesti labai atsakingai ir griežtai laikantis vietos institucijų reglamentų, reguliuojančių atliekų išmetimą.

BUITINIŲ PRIETAISŲ ŠALINIMAS

Šis prietaisas pagamintas naudojant perdirbamas arba pakartotinai naudojamas medžiagas. Prietaisą išmeskite paisydami vietos atliekų išmetimo reglamentų. Dėl išsamesnės informacijos apie buitinių elektrinių prietaisų apdorojimą, utilizavimą ir perdirbimą kreipkitės į įgaliotą vietos instituciją, buitinių atliekų surinkimo įmonę arba parduotuvę, kurioje pirkote prietaisą. Šis prietaisas paženklintas pagal Europos direktyvos 2012/19/ES dėl elektros ir elektronikos įrangos atliekų (EEJA) reikalavimus ir pagal elektros ir elektronikos įrangos atliekų 2013 m. reikalavimus (pataisas). Tinkamai utilizuodami šį gaminį apsaugosite aplinką ir sveikatą nuo galimo neigiamo poveikio.

Ant prietaiso arba pridedamų dokumentų esantis simbolis  nurodo, kad su šiuo prietaisu negalima elgtis kaip su buitinėmis šiukšlėmis. Jį reikia atiduoti į atitinkamą surinkimo skyrių, kad elektros ir elektronikos įranga būtų perdirbta.

ENERGIJOS TAUPYMO PATARIMAI

Kad išnaudotumėte visas savo kaitlentės galimybes, likus kelioms minutėms iki gaminimosi pabaigos, kaitlentę išjunkite ir pasinaudokite likutine šiluma. Puodo ar keptuvės dugnas turi visiškai uždenkti kaitvietę; jei indas yra mažesnis nei kaitvietė, bus be reikalo eikvojama energija.

Gamindami puodus ir keptuves uždenkite gerai priglundančiu dangčiu ir naudokite kuo mažiau vandens. Jei gaminsite nuėmę dangtį, gerokai padidės energijos sąnaudos.

Naudokite tik plokščiadugnius puodus ir keptuves.

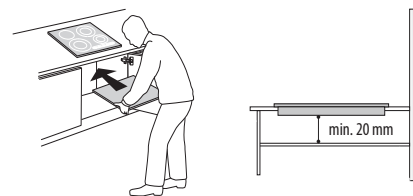
ATITIKTIES DEKLARACIJA

Šis prietaisas atitinka ekologinio projektavimo reikalavimus, numatytus Europos reglamente Nr. 66/2014 ir ekologinio projektavimo reikalavimus su energija susijusiems gaminiams ir energijos informacijos (pataisa) (išėjimas iš ES) 2019 m. reglamentą, vadovaujantis Europos standartu EN 60350-2.



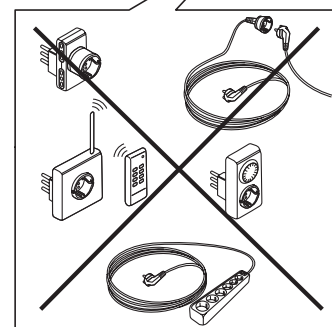
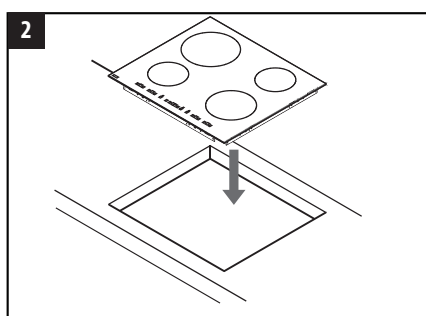
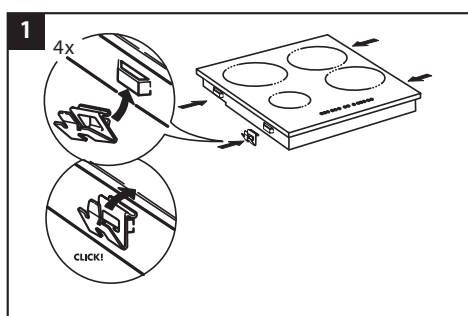
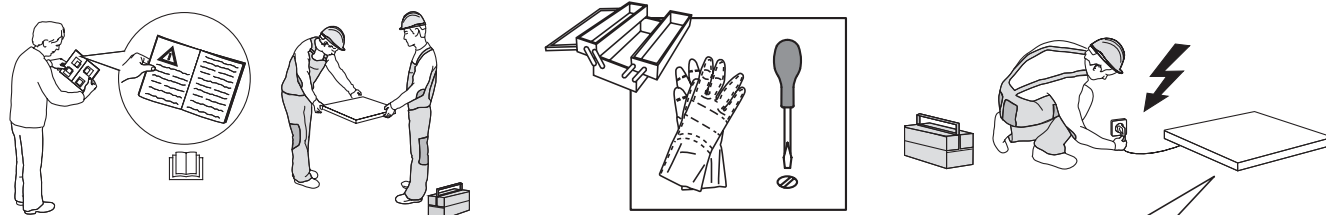
MONTAVIMAS

- Kaitlentė į stalviršį turi būti įleista mažiausiai 20 mm.
- Tarp kaitlentės ir krosnelės nieko neturi būti (grotelių, laikiklių ir t. t.).
- Įsitikinkite, kad laido ilgio užtenka patogiai įrengti gaminį.
- Atstumas nuo apatinės stiklo keramikos kaitlentės pusės iki spintelės arba skiriamojo skydo turi būti mažiausiai 20 mm.
- Montavimo atstumai ir įrengimo matmenys pateikiami šio skyriaus paveikslėlyje.
- Tarp kaitlentės ir virš jos esančio gartraukio turi būti išlaikytas minimalus atstumas. Daugiau informacijos pateikiama gartraukio naudotojo vadove.
- Nuvalę kaitlentės paviršių panaudokite kartu pateikiamą tarpiklį (jei jis dar nesumontuotas).
- **Nemontuokite kaitlentės arti indų plovimo arba skalbimo mašinos, kad elektros grandinės nesusiliestų su garais ar drėgme, kuri jas pažeistų.**
- Jei po kaitlente yra montuojama krosnelė, joje turi būti aušinimo sistema. Jei elektros grandinių temperatūra viršija didžiausią leidžiamą temperatūrą, kaitlentė turi automatiškai išsijungti; tokiu atveju palaukite kelias minutes, kol vidinė elektros grandinių temperatūra nukris iki leidžiamo lygio, tada galėsite iš naujo įjungti kaitlentę.

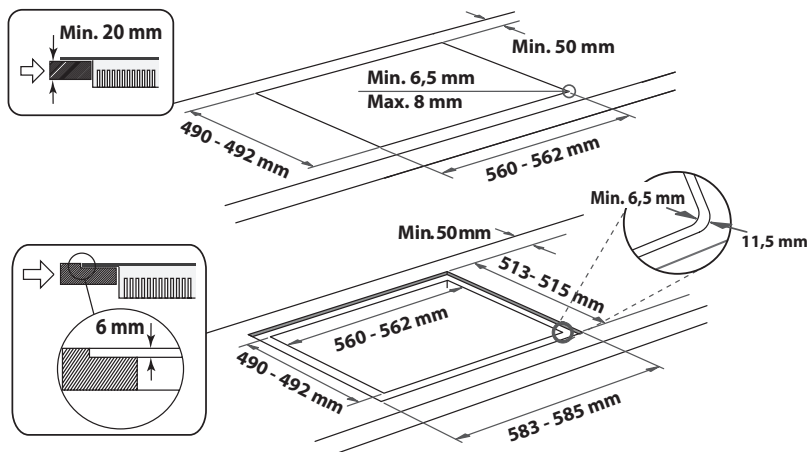
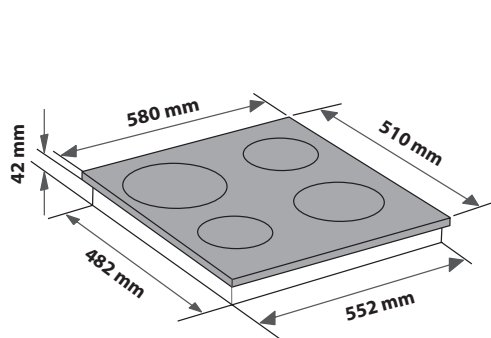
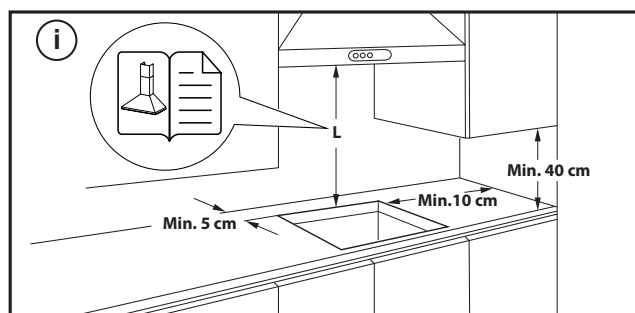


KAITLENTĖS ĮRENGIMAS

Prijungus elektrą (žr. skyrių "Elektros prijungimas"). Nustatykite, kad visi fiksnatoriai sutaptų su skirtomis angomis kaitlentės šonuose, kaip tai pavaizduota paveikslėlyje. Tada spustelėkite kaitlentę į išpjovą ir patikrinkite, ar stiklinis paviršius yra lygus ir lygiagretus stalviršiui. Fiksnatorius rinkitės atsižvelgdami į stalviršio medžiagą (medis, marmuras ir t. t.).



MATMENYS IR ATSTUMAI, KURIUOS BŪTINA IŠLAIKYTI



KAITLENTĖS PAŠALINIMAS.

Jei norite pašalinti kaitlentę, pirma atjunkite ją nuo elektros tinklo. Pritygtinai rekomenduojame atlaisvinti apatinę dalį nuo orkaitės, stalčiaus, skiriamosios plokštės ar kt. Taip technikos specialistas galės pasiekti apatinę kaitlentės dalį ir atsuktuvu atsukti keturis fikساتorius, pakelti kaitlentę ir ją pašalinti apsaugant stalviršį nuo bet kokio pažeidimo.

ELEKTROS ĮVADAS

Prieš įjungiant prietaisą į elektros tinklą reikia sujungti visas elektros jungtis.

Maitinimo laidas pakuotėje nepridedamas; nepamirškite įsigyti maitinimo laido.




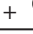

Įrengti gali tik kvalifikuoti darbuotojai, kurie žino galiojančias saugos ir įrengimo taisykles. Įrengiant būtina vadovautis galiojančiais vietinės elektros tiekimo bendrovės reglamentais.

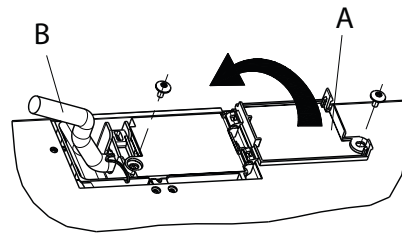
Įsitinkite, kad ant prietaiso dugno esančioje duomenų lentelėje nurodyta įtampa būtų tokia pat kaip namų.

Reglamentuose reikalaujama, kad prietaisas būtų įžemintas. Naudokite tik tinkamus konduktorius (įskaitant įžeminimo konduktorius).

PRIJUNGIMAS PRIE GNYBTŲ BLOKO

Elektros jungčiai naudokite H05RR-F arba H05V2V2-F kabelį, kaip nurodyta toliau pateiktoje lentelėje.

MAITINIMO ĮTAMPA	KONDUKTORIAI KIEKIS x DYDIS
220-240V ~ + 	3 x 4 mm ²
230-240V ~ + 	3 x 4 mm ² (tik Australija)
220-240V 3~ + 	4 x 1,5 mm ²
380-415V 3N~ + 	5 x 1,5 mm ²
380-425V 2N~ + 	4 x 1,5 mm ²



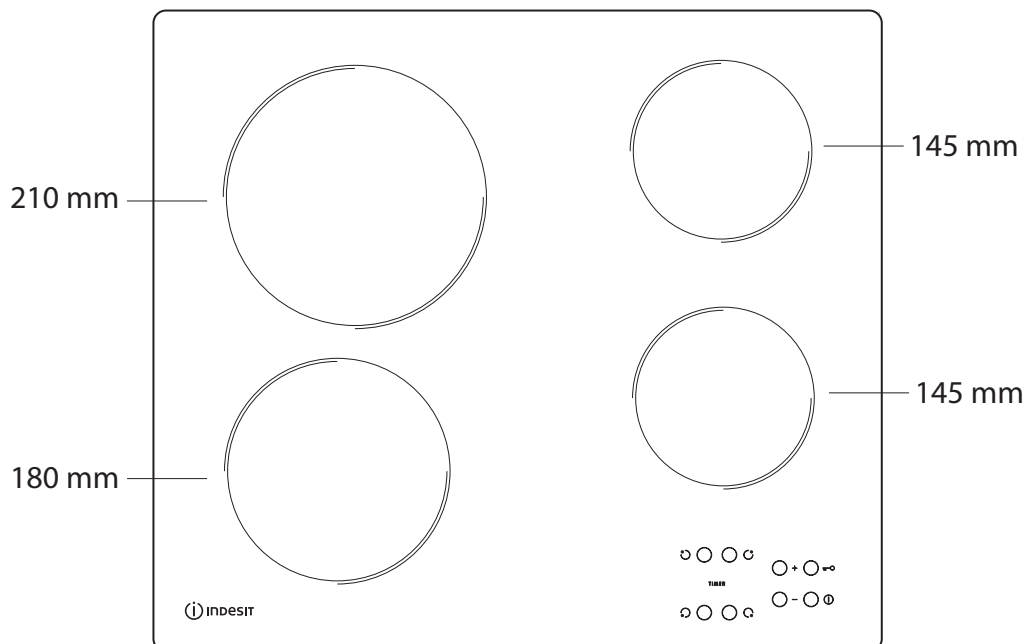
Prietaisą prie elektros tiekimo prijunkite visų polių atjungimo jungikliu, kurio minimalus kontaktinis tarpelis yra 3 mm.

DĖMESIO. Maitinimo laidas turi būti pakankamo ilgio, kad kaitlentę būtų galima nukelti nuo stalviršio ir jis turi būti patiestas taip, kad nebūtų pažeistas arba neperkaistų dėl kontakto su pagrindu.

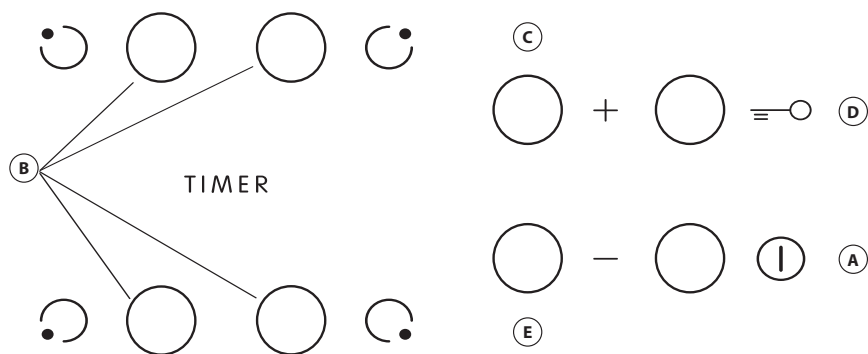
PASTABA. Geltonas / žalias įžeminimo laidas turi būti prijungtas prie gnybto, kuris pažymėtas simboliu , ir jis turi būti ilgesnis už kitus laidus.

- Nuo maitinimo laido pašalinkite apie 70 mm izoliacinės medžiagos (**B**).
- Nuo laidų pašalinkite apie 10 mm izoliacinės medžiagos. Maitinimo kabelį įstatykite į kabelio gnybtą ir prijunkite laidus prie gnybtų trinkelės, kaip nurodyta šalia gnybtų trinkelės esančioje schemeje.
- Saugiai prijunkite maitinimo laidą (**B**) panaudodami laido gnybtą.
- Uždenkite gnybtų trinkelę gaubtu (**A**) ir priveržkite jį varžtu.
- Atlikę elektros įvado prijungimą, sulygiuokite kaitlentę su paviršiumi ir įtvirtinkite atraminėse spyruoklėse, kaip parodyta iliustracijoje.

GAMINIO APRAŠYMAS



VALDYMO SKYDELIS



- A** Įjungti / Išjungti
- B** Kaitvietės ir laikmačio pasirinkimas
- C-E** Karščio nustatymo padidinimas ir sumažinimas
- D** Mygtukų užraktą

NAUDOJIMAS PIRMA KARTĄ

Pirmą kartą įrengus, valdymo skydelis atlieka funkcijų testą, trunkantį maždaug 1 sekundę, po to automatiškai įjungiamą "Mygtukų užraktą" funkciją. Kad išjungtumėte funkciją, paspauskite ir laikykite paspaudę "D" mygtuką;

išgirsite garsinį signalą ir išsijungs atitinkama led lemputė.

PASTABA: Jei funkcija neišsijungia, pakartokite anksčiau aprašytą veiksmą.

KASDIENIS NAUDOJIMAS

1 KAITLENTĖS ĮJUNGIMAS / IŠJUNGIMAS

Norėdami įjungti kaitlentę, laikykite nuspaudę "A" mygtuką maždaug 2 sekundes. 4 kaitviečių ekranuose matysite "0". Jei per 20 sekundžių neaktyvinama nė viena kaitvietė, kaitlentė išsijungia automatiškai kaip atsargumo priemonė.

KAITVIEČIŲ ĮJUNGIMAS IR REGULIAVIMAS

Paspauskite vieną iš "B" mygtukų, atitinkančių kaitvietę, kurią ketinate naudoti. Pasirinkite reikalingą karščio nustatymą "E" arba "C" mygtukais. Kiti pasirinkami gaminimo nustatymai yra nuo 1 iki 9. Norėdami atšaukti visus nustatymus, paspauskite "+/-" mygtukus tuo pačiu metu.

SVARBU: pasirinkus karščio nustatymą, 10 sekundžių išsijungiamas valdymas. Norėdami pakeisti karščio nustatymą, pirmiausia vėl paspauskite pasirinkimo mygtuką "B", tuomet pakeiskite nustatymą naudodami "E" arba "C" mygtukus.

TIMER

Norėdami nustatyti "Timer" (Laikmačio) funkciją, pasirinkite pageidaujamą kaitvietę ir karščio nustatymą, tada vėl paspauskite kaitvietės mygtuką – ekrane, laikmačio valdomoje kaitvietėje, atsiras šviečiantis taškas. Indikatorius "00" mirksi 2 ekranuose. Paspauskite "E" arba "C" mygtukus, kad nustatytumėte laiką nuo 1 iki 99.

SVARBU: po 10 sekundžių laikmačio ekrane matysite kitų kaitviečių karščio nustatymus. Norėdami sužinoti likusį gaminimo laiką, paspauskite laikmačio valdomos kaitvietės mygtuką du kartus.

A FUNKCIJA

Naudojant šią funkciją galima automatiškai sumažinti gaminimo zonos galios lygį nuo didžiausios vertės (9 lygis) iki naudotojo vėlesniam gaminimo etapui pasirinkto lygio.

Norėdami suaktyvinti šią funkciją pirma paspauskite mygtuką "+", kai pasiekiamas 9 lygis.

Ekrane rodomi simboliai "A" ir "9" pakaitomis mirksi nedideliu ryškumu.

Tada mygtuku "-" pasirinkite pageidaujamą galios lygį (mažesnę nei 9).

Ekrane pakaitomis nedideliu ryškumu mirksės "A" ir pasirinktas lygis.

Funkcija bus įjungta, kai simbolis "A" ir pasirinktas galios lygis ekrane pakaitomis mirksės dideliu ryškumu.

Kai ekrane nebematyti simbolio "A" ("A" funkcija automatiškai išsijungia po kelių minučių, priklausomai nuo nustatyto galios lygio), gaminimo procesas tęsiamas mažesne galia, o ekrane rodomas tik pasirinktas galios lygis.

PASTABA. Ši funkcija negalima naudojant 9 lygį.

≡ O MYGTUKŲ UŽRAKTĄ

"Mygtukų užraktą" funkcija įjungiamą laikant nuspaudus "D" mygtuką, kol virš funkcijos mygtuko užsidega taškas. Valdymo skydelis užrakintas, išskyrus išjungimo funkciją. Funkcija lieka įjungta, net išjungus ir vėl įjungus kaitlentę; funkcija gali būti išjungta dar kartą paspaudus mygtuką "D", kol neužgeso virš funkcijos mygtuko esantis taškas.

Kai kaitlentė išsijungia su įjungtu mygtukų užraktu, norėdami įjungti kaitlentę, pirma išjunkite mygtukų užrakto funkciją dar kartą paspausdami mygtuką "D", kol taškas virš funkcinio mygtuko užges.

Iš puodų ar kitų indų ant valdiklių išpiltas vanduo gali netyčia įjungti arba išjungti mygtukų užraktą.

H LIKUTINĖS ŠILUMOS INDIKATORIUS

Išjungus kaitvietę, likutinės šilumos indikatorius "H" lieka įjungtas arba mirksi pasikeisdamas su "0", kol kaitlentės temperatūra grįžta į saugų lygį.

SVARBU: Viena iš kaitlentės saugumo funkcijų – automatinė išsijungimo funkcija. Užsitęsęs to paties karščio nustatymo naudojimas automatiškai išsijungia kaitvietę (pavyzdžiui, maždaug po 1 valandos kaitvietės naudojimo maksimaliu karščiu, kaitvietė išsijungia).

SVARBU: Jei nenorite sugadinti kaitlentės:

- nenaudokite puodų, kurių dugnas nėra visiškai plokščias;
- nenaudokite metalinių puodų su emaliuotu dugnu;
- nedėkite karštų puodų / keptuvių ant valdymo skydelio.

GALINGUMO LYGIO LENTELE

GALINGUMO LYGIS		GAMINIMO TIPAS	NAUDOJAMAS LYGMUO (nurodo gaminimo patirtį ir įpročius)
Maksimali galia	9	Virimas	Idealiai tinka greitai padidinti maisto temperatūrą ir greitai užvirti vandenį arba pašildyti kitus virimo skysčius.
	9 – 8	Paskrudinimas	Idealiai tinka paskrudinti, pradėti virti, skrudinti užšaldytus produktus, greitai virti.
Didelis galingumas	8 – 7	Skrudinimas – virimo palaikymas – kepimas ant grotelių	Idealiai tinka skrudinti, palaikyti intensyvią virimą, gaminti ir kepti ant grotelių (trumpai, 5–10 min.)
	7 – 6	Kepimas – gaminimas – kepimas ant grotelių	Idealiai tinka palaikyti lėtą virimą, gaminti ir kepti ant grotelių (vidutinė trukmė, 10–20 min.), pakaitinti ir kepti.
Vidutinis galingumas	6 – 5	Švelnus kepimas	Idealiai tinka kepant kiaušinius ir omletus.
	5 – 4	Gaminimas – Virinimas – Troškinimas	Idealiai tinka ilgo gaminimo receptams (ryžių, padažų, kepsnių, žuvies) su skysčiais (pvz., vandeniu, vynu, sultiniu, pienu), makaronų su padažu paruošimui.
	4 – 3	Sutirštėjimas – makaronų su padažu paruošimas	
Mažas galingumas	2 – 1	Šilto maisto išlaikymas – kremas daugiaryžis	Idealiai tinka išlaikant šviežiai pagamintą maistą (pvz., padažus, sriubas, minestrone), kremingą daugiaryžį šiltą ir palaikant pagaminto maisto temperatūrą.
Mažiausi galia	1	Atitirpdymas	Idealiai tinka atitirpdant smulkius produktus ir švelniai tirpinant šokoladą arba sviestą.
Nulinis galingumas	0	–	Budėjimo režimu veikianti arba išjungta kaitlentė (gali būti įkaitusi nuo gaminimo; tą parodo "H" raidė).

Kaitlentėje taip pat yra automatinio išsijungimo funkcija, kuri išjungia gaminimo zoną, jei po tam tikro laiko, priklausomai nuo galios nustatymo, nepakeičiamas galios lygis. Lentelėje pateikiama kiekvieno galios lygio trukmė.

GALINGUMO LYGIS	AUTOMATINIS IŠJUNGIMO LAIKAS
0	30 sekundžių
1	10 valandų
2	5 valandos
3	5 valandos
4	4 valandos
5	3 valandos
6	2 valandos
7	2 valandos
8	2 valandos
9	1 valanda

PRIEŽIŪRA IR VALYMAS

⚠ Nuo prietaiso atjunkite elektros maitinimą.

- Nenaudokite valymo garais įrangos.
- Nenaudokite šiurkščių kempinių arba šveistukų, nes jie gali pažeisti stiklą.
- Valykite kaitlentę po kiekvieno naudojimo (kai atvėsta), kad pašalintumėte maisto likučius ir dėmes.

- Cukrus arba maisto produktai, kurių sudėtyje yra daug cukraus, gali pakenkti kaitlentei, todėl juos reikia nedelsiant pašalinti.
- Druska, cukrus ir smėlis gali subraižyti stiklo paviršių.
- Naudokite minkštą šluostę, sugeriantį virtuvinį popierių arba specialų kaitlenčių valiklį (vadovaukitės gamintojo nurodymais).
- Ant kaitvietės išsiliejus skysčiui, puodai gali pajudėti arba imti vibruoti.
- Nuvalytą kaitlentę kruopščiai nusauskite.

TRIKČIŲ ŠALINIMAS

Jei kaitlentė neveikia tinkamai, prieš kreipdamiesi į techninės priežiūros po pardavimo tarnybą peržiūrėkite Gedimų šalinimo vadovą ir pabandykite nustatyti problemą.

- Perskaitykite ir vadovaukitės instrukcijomis, kurios pateikiamos skyriuje "Kasdienis naudojimas".
- Patikrinkite, ar neatjungtas elektros tiekimas.
- Nuvalę gerai nususinkite kaitlentę.
- Jei pasirinkus gaminimo zoną ekrane parodoma "F" arba "ER", o po to parodomas skaičius, kreipkitės ir informuokite techninės priežiūros po pardavimo tarnybą.
- Jei rodomas klaidos kodas "F03", "ER03" arba "E02", pabandykite išspręsti problemą vadovaudamiesi šiomis instrukcijomis.
 - Jei rodoma klaida "E02", įsitikinkite, kad nespaudėte mygtukų ilgiau nei 5 sekundes, kad ant HMI srities nėra jokių objektų ir kad ji yra švari ir sausa; valydami vadovaukitės techninės priežiūros ir valymo skyriuje pateikta informacija.
 - Jei rodoma klaida "F03", pabandykite išjungti ir vėl įjungti kaitlentę.
 - Jei rodoma klaida "F04", kreipkitės į techninės priežiūros po pardavimo tarnybą ir nurodykite kodą.

- Jei kaitlentė neveikia dėl intensyvaus naudojimo, kaitlentės vidinė temperatūra per aukšta. Palaukite keletą minučių, kol kaitlentė atvės.
- Jei šildytuvas veikia ne nuolat, o cikliška įsijungia ir išsijungia, net jei ekrane rodoma, kad galios lygis nesikeičia, tai yra normalus kaitlentės veikimas. Įjungimo ir išjungimo ciklas leidžia reguliuoti šildytuvo galią ir tai yra visiškai normalu. Kai kuriais atvejais šiluminė apsauga gali kuriam laikui išjungti šildytuvą, kad būtų išvengta stiklo pažeidimų. Tokių atvejų pavyzdžiai: ilgai gaminama dideliu galingumu, naudojami už kaitinimo elementą mažesni indai ir indai yra ne plokščiu dugnu.
- Jei vartotojui nespaudžiant jokių mygtukų kaitlentė skleidžia trumpą garsą, pasirūpinkite ant HMI išsiliejusiais skysčiais. Nusausinkite HMI ir toliau naudokite kaitlentę. Jei kaitlentė buvo automatiškai išjungta, taip galėjo nutikti dėl ant HMI išsiliejusių skysčių. Nusausinkite HMI ir vėl įjunkite kaitlentę.

Jei atlikus šias patikras gedimas nepašalinamas, kreipkitės į artimiausią techninės priežiūros po pardavimo tarnybą.

TECHNINĖS PRIEŽIŪROS CENTRAS

Kad galėtumėte tinkamai pasinaudoti pagalba, užregistruokite gaminį svetainėje www.indesit.com/register.

TECHNINĖS PRIEŽIŪROS CENTRAS

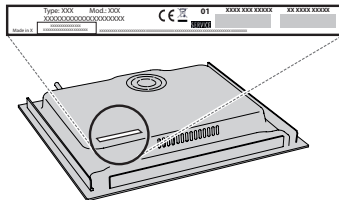
1. Vadovaudamiesi skyriaus **TRIKČIŲ ŠALINIMAS** patarimais pamėginkite problemą pašalinti patys.
2. Prietaisą išjunkite ir vėl įjunkite, kad patikrintumėte, ar triktis nepašalinama.

JEI ATLIKUS ŠIAS PATIKRAS TRIKTIS NEPAŠALINAMA, KREIPKĖS Į ARTIMIAUSIĄ TECHNINĖS PRIEŽIŪROS CENTRĄ

Jei reikia pagalbos, skambinkite garantiniame lankstinuke nurodytu numeriu arba vykdykite nurodymus, pateikiamus svetainėje www.indesit.com.

Kreipdamiesi į techninės priežiūros centrą visada nurodykite:

- trumpą gedimo aprašymą;
- prietaiso tipą ir tikslų modelį;



- serijos numeris (numeris nurodomas po žodžio SN techninių duomenų plokštelėje). Serijos numeris taip pat yra nurodytas dokumentacijoje;



Mod. XXX XXX

Ind.C. XXXX XXXX XXXX

Prod.N. 86999XXXXXXX S.N. XXXX XXXX XXXX

- savo tikslų adresą;
- savo telefono numerį.

Jei reikalingas remontas, kreipkitės į įgaliotą techninės priežiūros centrą (tada turėsite garantiją, jog bus naudojamos originalios atsarginės dalys ir remontas bus atliktas tinkamai).

Lejupielādējiet pilno instrukciju rokasgrāmatu vietnē <http://docs.indesit.eu> vai piezvaniet uz tālruna numuru, kas norādīts garantijas bukletā.

Pirms ierīces lietošanas izlasiet šos drošības norādījumus. Saglabājiet šos norādījumus turpmākām uzziņām.

Šī rokasgrāmata un pati ierīce sniedz svarīgus drošības brīdinājumus, kas ir jāizlasa un vienmēr jāievēro. Ražotājs neuzņemas atbildību par bojājumiem, kas radušies nepiemērotas lietošanas vai nepareizu vadības elementu iestatīšanas dēļ.

⚠ **BRĪDINĀJUMS!** Neizmantojiet ierīci, ja plīts virsma ir saplaisājusi – pastāv strāvas trieciena risks.

⚠ **BRĪDINĀJUMS!** Aizdeģšanās risks: neuzglabājiet piederumus uz gatavošanas virsmas.

⚠ **UZMANĪBU!** Gatavošanas process ir jāuzrauga. Neilgs gatavošanas process ir nepārtraukti jāuzrauga.

⚠ **BRĪDINĀJUMS!** Gatavošana uz plīts virsmas bez uzraudzības, izmantojot taukvielas vai eļļu, var būt bīstama – aizdegšanās risks. **NEKAD** nemēģiniet dzēst ugunsgrēku ar ūdeni: tā vietā izslēdziet ierīci un apsedziet liesmu, piemēram, ar vāku vai uguns slāpēšanas materiālu.

⚠ Neizmantojiet plīti kā darbvirsmu vai atbalstu. Neļaujiet ierīcei saskarties ar audumu vai citiem viegli uzliesmojošiem materiāliem, kamēr visas detaļas nav pilnīgi atdzisušas – pastāv aizdegšanās risks.

⚠ **Ļoti maziem bērniem (0-3 gadi) jāatrodas drošā attālumā no ierīces. Maziem bērniem (3-8 gadi) jāatrodas drošā attālumā no ierīces, ja vien tie netiek nepārtraukti uzraudzīti. Bērni no 8 gadu vecuma un personas ar fiziskiem, jušanas vai garīgiem traucējumiem vai bez pieredzes un zināšanām var lietot šo ierīci, ja tās tiek uzraudzītas vai instruētas par ierīces drošu lietošanu un izprot ar to saistītos riskus. Bērni nedrīkst spēlēt ar ierīci. Ierīces tīrīšanu un apkopi nedrīkst veikt bērni bez pieaugušo uzraudzības.**

⚠ **BRĪDINĀJUMS!** Lietošanas laikā ierīce un tās atklātās daļas uzkarst. Nepieskarieties sildelementiem. Bērniem līdz 8 gadu vecumam ir jāatrodas drošā attālumā no ierīces, ja vien tie netiek nepārtraukti uzraudzīti.

ATĻAUTĀ LIETOŠANA

⚠ **UZMANĪBU!** Ierīci nav paredzēts darbināt ar ārēju slēdža ierīci, piemēram, taimeru vai atsevišķu tālvadības sistēmu.

⚠ Šo ierīci ir paredzēts izmantot sadzīvē un tamlīdzīgi, piemēram: personāla virtuves zonās veikalos, birojos un citās darba vidēs; zemnieku saimniecībās; klientu istabās viesnīcās, moteļos un citās līdzīga tipa apmešanās vietās.

⚠ Neizmantojiet to citiem nolūkiem (piemēram, telpu apsildei).

⚠ Šī ierīce nav paredzēta profesionālai lietošanai. Neizmantojiet ierīci ārpus telpām.

MONTĀŽA

⚠ Ierīces pārvietošana un uzstādīšana jāveic vismaz diviem cilvēkiem – pastāv savainojumu risks. Izmantojiet aizsargcimdus visos izsaiņošanas un uzstādīšanas darbos – pastāv risks sagriezties.

⚠ Montāžu, tajā skaitā ūdens sistēmas (ja tāda ir) un elektrosavienojumu uzstādīšanu, un remontu drīkst veikt tikai kvalificēts tehniķis. Nelabojiet un nemainiet ierīces detaļas, ja vien tas nav tieši norādīts lietotāja rokasgrāmatā. Neļaujiet bērniem atrasties ierīces montāžas vietas tuvumā. Pēc ierīces izsaiņošanas pārliedzieties, vai pārvadāšanas laikā tā nav bojāta. Problēmu gadījumā sazinieties ar izplatītāju vai tuvāko pēcpārdošanas apkopes centru. Pēc ierīces montāžas novietojiet iepakojuma materiālus (plastmasas un polistirola daļas u.c.) bērniem nepieejamā vietā – pastāv nosmakšanas risks. Pirms ierīces uzstādīšanas tai jābūt atvienotai no elektrotīkla – pastāv elektriskā trieciena risks. Uzstādīšanas laikā sekojiet, lai ierīce nesabojātu barošanas kabeli – pastāv aizdegšanās un strāvas trieciena risks. Ieslēdziet ierīci tikai tad, kad montāža ir pabeigta.

⚠ Uzmanīgi veiciet skapja zāģēšanas darbus pirms ierīces uzstādīšanas vietā un rūpīgi noslaukiet visas koka skaidas un putekļus.

⚠ Ja ierīci neuzstāda virs krāsns, atdalošo paneli (nav iekļauts) jāuzstāda nodalījumā zem ierīces.

ELEKTRISKIE BRĪDINĀJUMI

⚠ Jānodrošina iespēja atvienot ierīci no strāvas padeves, to vienkārši atslēdzot, ja pieejama kontaktdakša, vai ar divpolu slēdzi, kas uzstādīts pirms kontaktligzdas pēc elektroinstalācijas noteikumiem, un ierīcei jābūt zemētai atbilstoši valsts elektrības drošības standartiem.


⚠ Neizmantojiet pagarinātājus vai vairākspraudņu kontaktligzdas vai adapterus. Pēc ierīces uzstādīšanas tās elektriskās sistēmas detaļas nedrīkst būt pieejamas. Neizmantojiet ierīci ar mitrām rokām vai basām kājām. Nelietojiet šo ierīci, ja bojāts tās strāvas kabelis vai kontaktdakša, ja tā nedarbojas pareizi vai tā ir bojāta vai tikusi nomesta.

⚠ Uzstādīšana, izmantojot elektrokabeļa spraudni, ir aizliegta, ja vien izstrādājums nav aprīkots ar Ražotāja piegādāto kabeli.


⚠ Ja padeves kabelis ir bojāts, tas jāizvieto ar identisku, nomaiņa jāveic ražotājam, tā apkalpošanas dienesta aģentam vai līdzīgas kvalifikācijas personai, lai izvairītos no bīstamības – strāvas trieciena riska.

TĪRĪŠANA UN APKOPE

⚠ **BRĪDINĀJUMS!** Pārliedzieties, ka pirms apkopes darbību veikšanas ierīce ir izslēgta un atvienota no strāvas padeves – pastāv strāvas trieciena risks; nekad nelietojiet tvaika tīrīšanas iekārtu – pastāv strāvas trieciena risks.

 Nelietojiet abrazīvus vai kodīgus izstrādājumus, tīrīšanas līdzekļus uz hlora bāzes vai pannu tīrīšanas līdzekļus.

Iepakošanas materiālu utilizācija


Iepakošanas materiāls ir 100 % pārstrādājams un tiek apzīmēts ar otrreizējās pārstrādes simbolu .

Tādēļ dažādas iepakošanas daļas jāutilizē atbildīgi un saskaņā ar vietējiem atkritumu apsaimniekošanas noteikumiem.

Mājsaimniecības ierīču utilizācija

Šī ierīce ir izgatavota no pārstrādājamiem un atkārtoti izmantojamiem materiāliem. Utilizējiet to saskaņā ar vietējiem atkritumu apsaimniekošanas noteikumiem. Plašāku informāciju par lietotu mājsaimniecības ierīču apstrādi, atjaunošanu un pārstrādi varat iegūt vietējās varas iestādes, pie atkritumu savākšanas pakalpojumu sniedzējiem vai veikalā, kur ierīci iegādājāties. Šī ierīce ir marķēta saskaņā ar Eiropas Savienības Direktīvu 2012/19/ES par elektrisko un elektronisko iekārtu atkritumiem (EEIA) un saskaņā ar 2013. gada Regulu par elektrisko un elektronisko iekārtu atkritumiem (un tās grozījumiem).

Nodrošinot šīs ierīces pareizu utilizāciju, varat novērst iespējamo negatīvo vides un cilvēka veselības apdraudējumu.

 simbols uz izstrādājuma vai komplektācijā iekļautajiem dokumentiem norāda, ka šo ierīci nevar izmest sadzīves atkritumos, bet tā ir jānodod pārstrādei elektrisko un elektronisko ierīču savākšanas centrā.

Ieteikumi enerģijas taupīšanai

Izmantojiet savas plīts atlikušo karstumu, izslēdzot to dažas minūtes pirms beidzat gatavot.

Katla vai pannas pamatnei pilnībā jānosedz attiecīgais laukums uz plīts virsmas; tvertne, kas ir mazāka par attiecīgo laukumu uz plīts virsmas, radīs enerģijas izšķērdēšanu.

Gatavojot nosedziet katlus un pannas ar cieši piegulošiem vākiem un izmantojiet pēc iespējas mazāk ūdens. Gatavojot, kad noņemts vāks, tiek patērēts daudz vairāk enerģijas.

Izmantojiet katlus un pannas tikai ar plakanām pamatnēm.

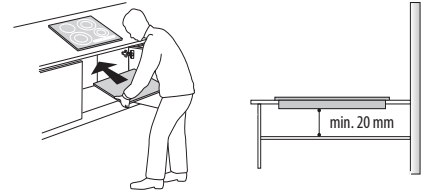
PAZIŅOJUMS PAR ATBILSTĪBAS DEKLARĀCIJU

Šī ierīce atbilst Eiropas Regulas 66/2014 ekodizaina prasībām un 2019. gada noteikumiem saistībā ar ekodizaina prasībām ar enerģiju saistītiem ražojumiem un enerģijas informāciju (grozījums) (ES izvešana) saskaņā ar Eiropas standartu EN 60350-2.



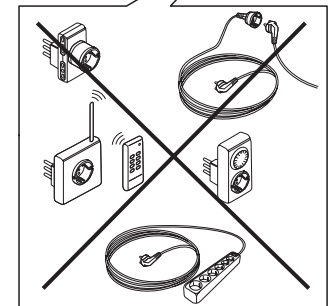
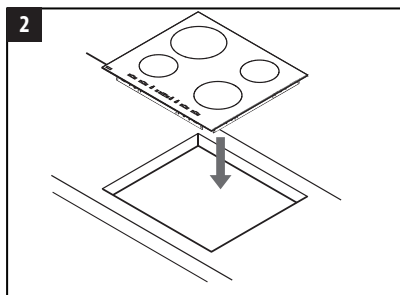
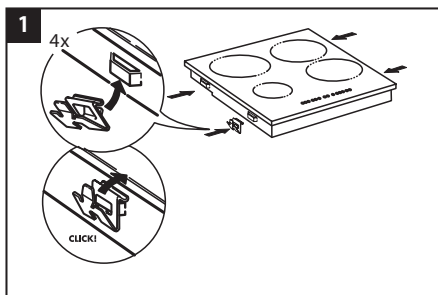
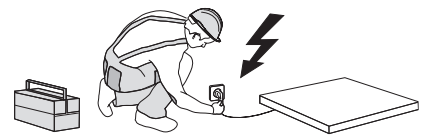
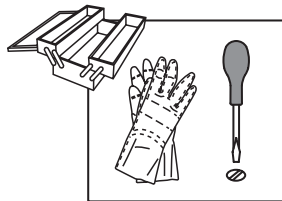
MONTĀŽA

- Plīts virsma ir jāievieto darba virsmā vismaz 20 mm dziļumā.
- Starp pagatavošanas virsmu un cepeškrāni nedrīkst būt nekādu priekšmetu (šķērsvirziena vadotņi, kronšteini u. c.).
- Pārliecinieties, ka elektrokabelis ir pietiekoši garš, lai būtu iespējama droša ierīces uzstādīšana.
- Attālumam starp apakšējo stikla keramikas plīts virsmu un skapi vai atdalīto paneli jābūt vismaz 20 mm.
- Iebūvēšanas izmērus un uzstādīšanas informāciju skatiet šīs sadaļas attēlā.
- Ievērojiet minimālo attālumu starp plīts virsmu un tvaiku nosūcēju virs tās. Papildinformāciju skatiet tvaiku nosūcēja lietošanas rokasgrāmatā.
- Pēc pagatavošanas virsmas notīrīšanas lietojiet komplektā iekļauto paplāksni (ja vien tā jau nav uzstādīta).
- **Neuzstādiēt pagatavošanas virsmu trauku vai veļas mazgājamās mašīnas tuvumā, lai elektroniskās shēmas nenokļūtu saskarē ar tvaiku vai mitrumu, kas tās var sabojāt.**
- Ja zem pagatavošanas virsmas ir uzstādīta cepeškrāns, pārbaudiet, vai tā ir aprīkota ar dzesēšanas sistēmu. Ja elektronisko shēmu temperatūra pārsniedz maksimāli pieļaujamo temperatūru, pagatavošanas virsma tiks automātiski izslēgta. Šādā gadījumā uzgaidiet dažas minūtes, līdz elektronisko shēmu iekšējā temperatūra sasniedz pieņemamu līmeni, kādā var atkal ieslēgt plīts virsmu.

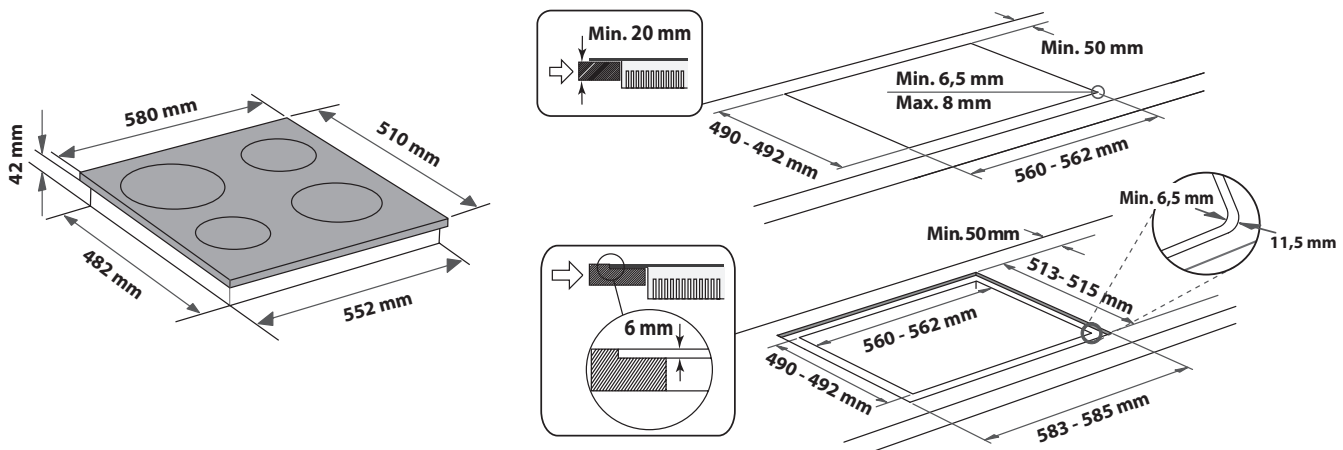
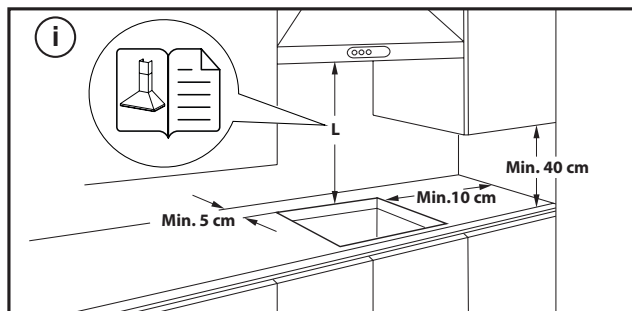


PLĪTS VIRSMAS NOVIETOJUMS

Pēc elektrosistēmas pieslēgšanas (skatiet nodaļu "Elektriskais pieslēgums") novietojiet katru paredzēto atveru fiksācijas skavu plīts virsmas sānos, kā parādīts attēlā. Pēc tam iebīdiēt plīts virsmu atvērumā un pārbaudiet, vai stikls atrodas līmeniski un paralēli darbvirsmai. Fiksācijas skavas ir piemērotas visu veidu darbvirsma materiālam (koksnei, marmoram u. c.).



IZMĒRI UN ATTĀLUMI, KAS JĀIEVĒRO



PLĪTS VIRSMAS NOŅEMŠANA:

Lai noņemtu plīts virsmu, vispirms atvienojiet to no elektrības padeves avota. Mēs noteikti iesakām atbrīvot apakšdaļu no cepeškrāsns, atvilktnēm, plauktu atdalītājiem vai citiem elementiem. Tas ļauj tehniķim brīvi piekļūt plīts virsmas apakšai, lai ar skrūvgriezi atbrīvotu četrus stiprinājumus, paceltu plīts virsmu un noņemtu to, nenodarot bojājumus darba virsmai.

ELEKTRISKAIS PIESLĒGUMS




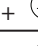
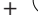
Pirms ierīces pieslēgšanas elektrotīklam jāizveido elektriskais savienojums.

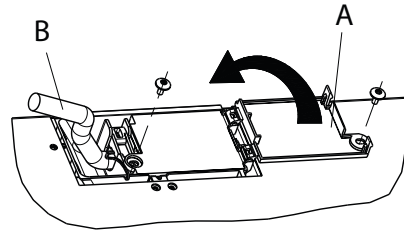
Uzstādīšanu drīkst veikt kvalificēts speciālists, kas pārzina pašreizējos drošības un uzstādīšanas normatīvus. Uzstādīšana ir īpaši jāveic saskaņā ar valsts energoapgādes uzņēmuma noteikumiem.

Pārbaudiet, vai datu plāksnītē, kas atrodas ierīces apakšpusē, norādītā sprieguma parametri atbilst mājas elektrotīkla sprieguma parametriem. Saskaņā ar noteikumiem ierīce ir jāasazemē: izmantojiet tikai atbilstošu parametru vadītājus (tostarp zemējuma vadītāju).

PIEVENOŠANA SPAIĻU BLOKAM


Elektriskajam pieslēgumam izmantojiet H05RR-F kabeli, kā norādīts zemāk tabulā.

BAROŠANAS SPRIEGUMS	VADĪTĀJI SKAITS x IZMĒRS
220-240V ~ + 	3 x 4 mm ²
230-240V ~ + 	3 x 4 mm ² (tikai Australija)
220-240V 3~ + 	4 x 1,5 mm ²
380-415V 3N~ + 	5 x 1,5 mm ²
380-425V 2N~ + 	4 x 1,5 mm ²



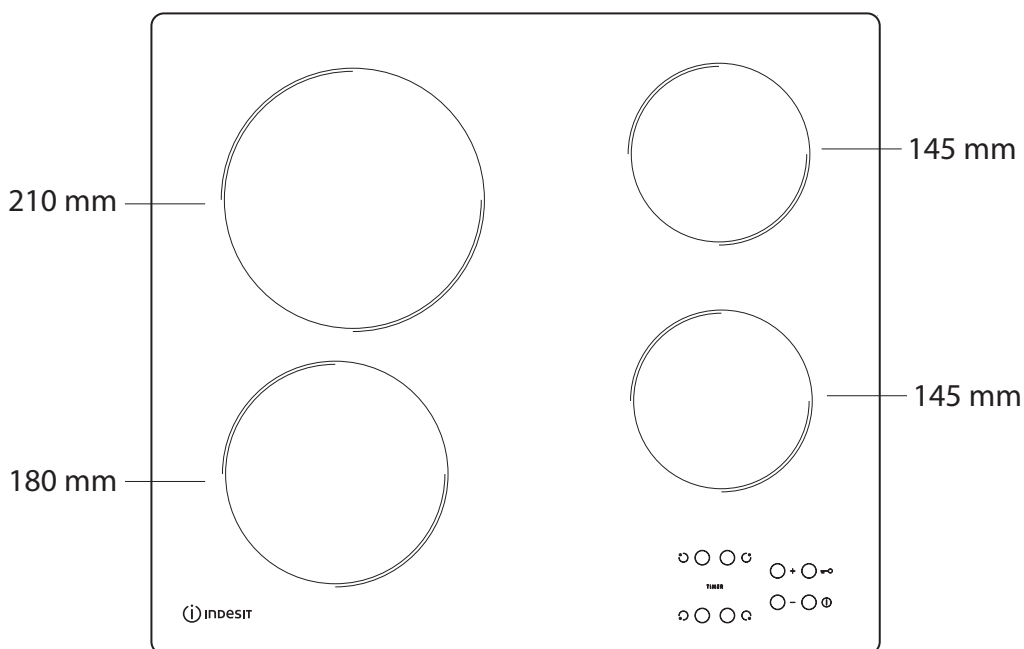
Ierīce jāpievieno barošanas avotam, izmantojot visu polu atvienošanas slēdzi, kura minimālā atstarpe starp kontaktiem ir 3 mm.

UZMANĪBU! Barošanas kabelim jābūt pietiekami garam, lai varētu izņemt pagatavošanas virsmu no darbvirsmas, kā arī novietot kabeli tā, lai izvairītos no bojājumiem vai pārkaršanas, ko rada saskare ar pamatni.

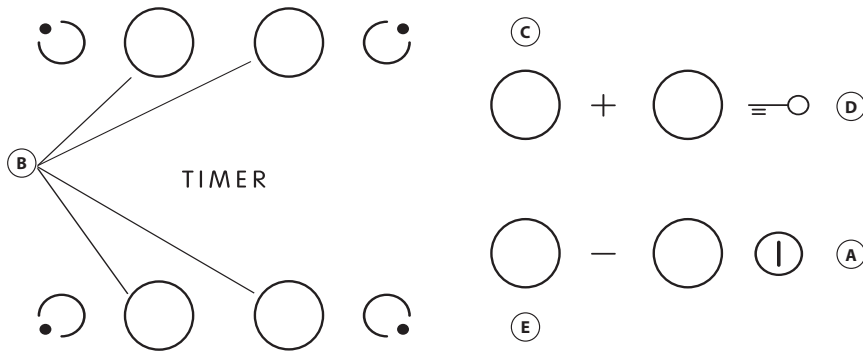
PIEZĪME: Dzeltens/zaļais zemējuma vads jāpievieno spaiļei, kas apzīmēta ar simbolu  un šim vadam jābūt garākam par citiem vadiem.

- Noņemiet apm. 70 mm barošanas kabeļa apvalku (**B**).
- Noņemiet apm. 10 mm apvalku no vadiem. Pēc tam ievietojiet barošanas kabeli kabeļa skavā un pievienojiet vadus spaiļu blokam, kā norādīts savienojuma shēmā, kas redzama blakus spaiļu blokam.
- Nostipriniet barošanas kabeli (**B**) ar kabeļa skavu.
- Uzlieciet spaiļu panelim pārsegu (**A**), pieskrūvējot to ar komplektā iekļauto skrūve.
- Pēc elektriskā pieslēguma pabeigšanas uzstādiet plīts virsmu no augšpusē un aizāķējiet to aiz balsta atsperēm, kā parādīts attēlā.

IZSTRĀDĀJUMA APRAKSTS



VADĪBAS PANELIS



- A** Ieslēgts / Izslēgts
- B** Ediena gatavošanas zona un taimera iestatīšana
- C-E** Siltuma iestatījumu palielinašana un samazinašana
- D** Pogu bloķētāju

PIRMĀ LIETOŠANAS REIZE

Pirmās uzstādīšanas laikā vadības panelis veic 1 sekundi ilgu funkcionālu pārbaudi, pēc kuras tas automātiski pārslēdzas uz "Pogu bloķētāju" funkciju.

Lai deaktivētu šo funkciju, piespiediet un turiet pogu "D"; atskanēs skaņas signāls, un izslēgsies atbilstošā led.

PIEZĪME: Ja notiek atiestate, atkārtojiet iepriekš aprakstīto procesu.

IKDIENAS IZMANTOŠANA



PLĪTS VIRSMAS IESLĒGŠANA/IZSLĒGŠANA

Lai ieslēgtu plīts virsmu, turiet pogu "A" piespiestu apm. 2 sekundes. 4 ēdiena gatavošanas zonu displeji rāda "0". Ja 20 sekunžu laikā neviena gatavošanas zona netiek aktivizēta, plīts virsma drošības dēļ automātiski izslēdzas.

GATAVOŠANAS ZONU IESLĒGŠANA UN REGULĒŠANA

Piespiediet pogu "B" atbilstoši gatavošanas zonai, kuru plānojat izmantot. Izvēlieties siltuma iestatījumu ar pogām "E" vai "C". Pārējie izvēles gatavošanas iestatījumi ir no 1 līdz 9. Lai atceltu visus iestatījumus, vienlaikus piespiediet "+/-" pogas.

SVARĪGI! vadība tiek deaktivēta 10 sekundes pēc siltuma iestatījuma izvēles. Lai mainītu siltuma iestatījumu, vispirms vēlreiz piespiediet izvēles pogu "B", tad turpiniet mainīt iestatījumus, izmantojot pogas "E" vai "C".

TIMER

Lai iestatītu taimera funkciju, izvēlieties vēlamo gatavošanas zonu un jaudas iestatījumu, tad piespiediet vēlreiz gatavošanas zonu, un taimera vadītās gatavošanas zonas displejā parādīsies spaidošs punkts. 2 displejos mirgo rādījums "00". Piespiediet pogas "E" vai "C", lai iestatītu laiku no 1 līdz 99.

SVARĪGI! pēc 10 sekundēm taimera displeji parādīs citu gatavošanas zonu jaudas iestatījumu.

Lai redzētu atlikušo gatavošanas laiku, divreiz piespiediet taimera vadīto gatavošanas zonas taustiņu.

A FUNKCIJA

Šī funkcija ļauj automātiski samazināt gatavošanas zonas jaudas līmeni no augstākās vērtības (9. līmenis) līdz līmenim, kuru lietotājs ir atlasījis ēst gatavošanas vēlākai fāzei.

Lai aktivizētu šo funkciju, vispirms nospiediet "+" pogu, kad ir sasniegts 9. līmenis.

Displejā tiek attēlots "A" un pārmaiņus tam "9" blāvi mirgo.

Tagad ar "-" pogu izvēlieties vēlamo jaudas līmeni (mazāku nekā 9).

Displejā blāvi pārmaiņus mirgo "A" un atlasītais līmenis.

Funkcija ir aktivizēta tad, kad displejā pārmaiņus spoži mirgo "A" un atlasītais līmenis.

Kad displejā vairāk nav redzams "A" ("A" funkcija automātiski izslēdzas pēc dažām minūtēm, atkarībā no iestatītā jaudas līmeņa), gatavošanas process turpinās ar mazāku jaudu, un displejā ir redzams tikai atlasītais jaudas līmenis.

ATCERĪETIES! šī funkcija nav iespējama ar atlasītu 9. līmeni.

POGU BLOĶĒTĀJU

Pogu bloķētāju funkcija tiek ieslēgta, turot uz leju pogu "D", kamēr iedegas punkts virs funkcijas pogas. Tiek bloķēts viss vadības panelis, izņemot izslēgšanas funkciju. Funkcija paliek ieslēgta arī pēc tam, kad plīts virsma ir izslēgta un atkal ieslēgta, un var tikt deaktivizēta, vēlreiz piespiežot "D" pogu, kamēr punkts virs funkcijas pogas nodziest.

Plīts virsmai esot izslēgtai ir aktivizētu pogu bloķētāju, lai ieslēgtu plīts virsmu, vispirms deaktivizējiet pogu bloķēšanas funkciju, vēlreiz piespiežot "D" pogu, kamēr punkts virs funkcijas pogas nodziest.

Ūdens, no katliem izšļakstīties šķidrums un priekšmeti uz pogas simbola var nejausī aktivizēt vai deaktivizēt pogu bloķētāju.



PALIEKOŠĀ SILTUMA INDIKATORS

Kad gatavošanas zona ir izslēgta, paliekošā siltuma indikators "H" paliek ieslēgts vai mirgo pārmaiņus ar "0", kamēr plīts virsmas temperatūra atkal ir drošā līmenī.

SVARĪGI! Plīts virsmas drošības īpašības ietver automātisku izslēgšanas funkciju. Ilgstoša vienādu siltuma iestatījumu lietošana automātiski izslēdz gatavošanas zonu (piemēram, apmēram pēc 1 stundas ar maksimālo siltuma iestatījumu gatavošanas zona izslēdzas).

SVARĪGI! Lai izvairītos no neatgriezeniskiem plīts virsmas bojājumiem:

- nelietojiet katlus, kuru apakšdaļas nav pilnīgi plakanas;
- neizmantojiet metāla katlus ar emaljētu apakšdaļu;
- nenovietojiet karstus katlus/pannas uz vadības paneļa.

JAUDAS LĪMEŅU TABULA

POWER LĪMENIS		GATAVOŠANAS VEIDS	IZMANTOTĀIS LĪMENIS (norāda uz gatavošanas pieredzi un ieradumiem)
Maksimālā jauda	9	Vārīšana	Ideāli piemērots straujai ēdiena temperatūras paaugstināšanai līdz ūdens vai šķidruma vārīšanās temperatūrai.
	9 – 8	Grilēšana	Ideāli piemērots apcepšanai, gatavošanas uzsākšanai, saldētu produktu cepšanai, ātrai vārīšanai.
Augsta jauda	8 – 7	Graudzēšana – ilgstoša vārīšana – grilēšana	Ideāli piemērots graudzēšanai, ilgstošas vārīšanās uzturēšanai, vārīšanai un grilēšanai (īss ilgums, 5–10 minūtes).
	7 – 6	Cepšana – gatavošana – grilēšana	Ideāli piemērots zemas temperatūras vārīšanās uzturēšanai, gatavošanai un grilēšanai (vidēji ilgi, 10–20 minūtes), priekšsildīšanai un cepšanai.
Vidēja jauda	6 – 5	Saudzīga cepšana	Ideāli piemērots olu cepšanai, omletēm.
	5 – 4	Gatavošana – lēnai vārīšanai – sautēšana	Ideāli piemērots ilgstošai gatavošanai (rīsi, mērces, cepeši, zivis) ar šķidrumiem (piemēram, ūdeni, vīnu, buljonu, pienu), makaronu krēmiem.
	4 – 3	Biezināšana — makronu krēmiem	
Zema jauda	2 – 1	Silta ēdiena uzturēšana – risoto krēmam	Ideāli piemērots tikko pagatavotu ēdienu (piemēram, mērču, zupu) karstuma uzturēšanai, risoto krēma pagatavošanai un servējamo ēdienu karstuma uzturēšanai.
Minimāla jauda	1	Atkausēšana	Ideāli piemērots nelielu produktu atkausēšanai un maigai šokolādes vai sviesta kausēšanai.
Bez jaudas	0	–	Virsmas gaidīšanas režīmā vai izslēgta (iespējama atlikušā siltuma izdalīšanās, ko norāda burts "H").

Plīts virsma ir aprīkota arī ar "automātiskās izslēgšanās" funkciju, kas izslēdz gatavošanas virsmu, ja noteiktā laika posmā nav veiktas jaudas līmeņa izmaiņas, atkarībā no pašiem jaudas iestatījumiem. Tabulā ir norādīts ilgums katram attiecīgajam jaudas līmenim.

JAUDAS LĪMENIS	AUTOMĀTISKĀS IZSLĒGŠANĀS LAIKS
0	30 sekundes
1	10 stundas
2	5 stundas
3	5 stundas
4	4 stundas
5	3 stundas
6	2 stundas
7	2 stundas
8	2 stundas
9	1 stunda

APKOPE UN TĪRĪŠANA

⚠ Atvienojiet ierīci no elektrotīkla.

- Neizmantojiet tvaika tīrīšanas ierīces.
- Neizmantojiet abrazīvus un skrāpējošus sūkļus.
- Pēc katras lietošanas reizes notīriet plīts virsmu (kad tā ir atdzisusi), lai noņemtu visas nogulsnes un ēdiena traipus.
- Cukurs un pārtikas produkti ar augstu cukura saturu var sabojāt plīts virsmu, tāpēc tie jānotīra nekavējoties.

- Sāls, cukurs un smiltis var saskrāpēt stikla virsmu.
- Izmantojiet mīkstu drāniņu, virtuves dvieli vai speciālu plīts virsmu tīrītāju (ievērojiet ražotāja norādījumus).
- Izlijuši šķidrumi gatavošanas zonās var izraisīt katlu pārvietošanos vai vibrāciju.
- Pēc plīts virsmas tīrīšanas, rūpīgi nosusiniet.

PROBLĒMU RISINĀŠANA

Ja plīts virsma nedarbojas pareizi, pirms sazināties ar klientu apkalpošanas dienestu, skatiet problēmu novēršanas pamācību, lai noteiktu problēmu.

- Izlasiet un izpildiet norādījumus, kas sniegti sadaļā "Ikdienas izmantošana".
- Pārbaudiet, vai nav radies elektroapgādes pārtraukums.
- Pēc plīts virsmas tīrīšanas rūpīgi noslaukiet to.
- Ja gatavošanas virsma ir tikusi atlasīta un displejā parādās "F" vai "ER", kam seko cipars, sazinieties ar mūsu Pēcpārdošanas apkalpošanas servisu un informējiet par šo stāvokli.
- Ja kļūdas kods ir "F03", "ER03" vai "E02", mēģiniet atrisināt problēmu, sekojot šiem norādījumiem:
 - Ja parādās kļūda "E02", pārliecinieties, ka neesat nospieduši pogas ilgāk nekā 5 sekundes, ka uz HMI virsmas neatrodas priekšmeti un ka virsma ir tīra un sausa; veicot tīrīšanu, lūdzam ievērot ieteikumus sadaļā par apkopi un tīrīšanu.
 - Ja parādās kļūda "F03", mēģiniet izslēgt un atkal ieslēgt gatavošanas virsmu.
 - Ja parādās kļūda "F04", sazinieties ar Pēcpārdošanas apkalpošanas servisu un informējiet par redzamo kļūdas kodu.
- Ja plīts virsma nedarbojas pēc intensīvas lietošanas, plīts virsmas iekšējā temperatūra ir pārāk augsta. Pagaidiet dažas minūtes, kamēr plīts virsma atdziest.

- Ja deglis nav pastāvīgi ieslēgts, bet pārmaiņus ieslēdzas un izslēdzas arī tad, ja jaudas līmenis displejā nemainās, tā ir plīts virsmas normālas darbības daļa. Ieslēgšanās/izslēgšanās cikls ļauj nodrošināt degļa jaudas regulāciju, un tā ir pilnīgi normāla parādība. Dažos gadījumos termiskās aizsardzības sistēma var izslēgt degli uz neilgu laiku, lai novērstu virsmas stikla bojājumus. Šeit ir piemēri tādiem gadījumiem: ilglaicīga gatavošana ar augstu jaudas līmeni, izmantojot katlus, kuri ir mazāki par sildelementa virsmu un kuru apakšdaļa nav plakana.
- Ja plīts virsmas izdala retas skaņas tad, ja lietotājs nav nospiedis kādu pogu, lūdzam notīrīt šķidrums uz HMI. Lūdzam, nosusiniet HMI un turpiniet izmantot plīts virsmu. Ja plīts virsma ir izslēgta automātiski, to var būt izraisījis šķidrums uz HMI. Lūdzam, nosusiniet HMI un atkal ieslēdziet plīts virsmu.

Ja pēc iepriekš minēto pārbaūžu veikšanas kļūmi neizdodas novērst, sazinieties ar tuvāko klientu apkalpošanas dienestu.

PĒCPĀRDOŠANAS SERVISS

Lai saņemtu pilnvērtīgu palīdzību, lūdzam, reģistrējiet savu ierīci vietnē www.indesit.com/register.

PIRMS SAZINĀTIES AR PĒCPĀRDOŠANAS APKALPOŠANAS DIENESTU:

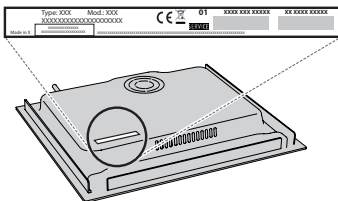
1. Mēģiniet atrisināt problēmu saviem spēkiem, izmantojot šeit atrodamo **PROBLĒMU RISINĀŠANA**.
2. Izslēdziet ierīci un ieslēdziet to vēlreiz, lai pārliecinātos, vai problēma ir novērsta.

JA PĒC IEPRIEKŠMINĒTĀJĀM PĀRBAUDĒM PROBLĒMA NAV NOVĒRSTA, SAZINIETIES AR TUVĀKO PĒCPĀRDOŠANAS APKALPOŠANAS DIENESTU.

Lai saņemtu palīdzību, zvaniet uz garantijas grāmatiņā norādīto numuru vai sekojiet norādījumiem tīmekļa vietnē www.indesit.com.

Sazinoties ar klientu pēcpārdošanas apkalpošanas dienestu, vienmēr norādiet:

- īsu kļūmes aprakstu;
- precīzu ierīces veidu un modeli;



- sērijas numurs (skaitlis pēc vārda SN uz tehnisko datu plāksnes zem ierīces). Sērijas numurs ir norādīts arī dokumentācijā;



Mod. XXX XXX

Ind.C. XXXX XXXX XXXX

Prod.N. 86999XXXXXXX S.N. XXXX XXXX XXXX

- savu pilno adresi;
- savu tālruna numuru.

Ja nepieciešams remonts, lūdzam, sazinieties ar pilnvarotu Pēcpārdošanas apkopes centru (lai būtu garantija, ka tiek izmantotas tikai oriģinālās rezerves daļas un remonts tiktu veikts pareizi).

ΟΔΗΓΙΕΣ ΓΙΑ ΤΗΝ ΑΣΦΑΛΕΙΑ

ΣΗΜΑΝΤΙΚΟ! ΔΙΑΒΑΣΤΕ ΚΑΙ ΤΗΡΕΙΤΕ

Κατεβάστε το πλήρες εγχειρίδιο οδηγιών από την ιστοσελίδα <http://docs.indesit.eu> ή καλέστε τον αριθμό που υπάρχει στο βιβλιαράκι εγγύησης.

Πριν χρησιμοποιήσετε τη συσκευή, διαβάστε αυτές τις οδηγίες για την ασφάλεια. Φυλάξτε τις οδηγίες σε κοντινό σημείο για μελλοντική αναφορά.

Αυτές οι οδηγίες και η συσκευή περιλαμβάνουν σημαντικές προειδοποιήσεις σχετικά με την ασφάλεια, τις οποίες πρέπει να τηρείτε σε κάθε περίπτωση. Ο κατασκευαστής δεν φέρει καμία ευθύνη για τη μη τήρηση αυτών των οδηγιών ασφαλείας, για ακατάλληλη χρήση της συσκευής ή λανθασμένη ρύθμιση των χειριστηρίων.

⚠ ΠΡΟΕΙΔΟΠΟΙΗΣΗ: Αν η επιφάνεια της εστίας είναι ραγισμένη, μην χρησιμοποιείτε τη συσκευή - κίνδυνος ηλεκτροπληξίας.

⚠ ΠΡΟΕΙΔΟΠΟΙΗΣΗ: Κίνδυνος πυρκαγιάς: μην αποθηκεύετε στοιχεία στις επιφάνειες μαγειρέματος.

⚠ ΠΡΟΣΟΧΗ: Η διαδικασία μαγειρέματος πρέπει να παρακολουθείται. Μια σύντομη διαδικασία μαγειρέματος πρέπει να παρακολουθείται συνεχώς.

⚠ ΠΡΟΕΙΔΟΠΟΙΗΣΗ: Είναι επικίνδυνο να μαγειρεύετε με λίπη ή λάδι σε εστία χωρίς επιτήρηση - κίνδυνος πυρκαγιάς. ΠΟΤΕ μην προσπαθείτε να σβήσετε τη φωτιά με νερό: αντίθετα, σβήστε τη συσκευή και στη συνέχεια καλύψτε τις φλόγες π.χ. με ένα καπάκι ή με μια πυρίμαχη κουβέρτα.

⚠ Μην χρησιμοποιείτε τη μονάδα εστιών ως επιφάνεια εργασίας. Διατηρείται τα ρούχα ή άλλα εύφλεκτα υλικά μακριά από τη συσκευή, έως ότου όλα τα εξαρτήματα να έχουν κρυώσει εντελώς - κίνδυνος πυρκαγιάς.

⚠ Κρατήστε τα μικρά παιδιά (0-3 ετών) μακριά από τη συσκευή. Κρατήστε τα μικρά παιδιά (3-8 ετών) μακριά από τη συσκευή εκτός εάν επιτηρούνται διαρκώς. Η συσκευή μπορεί να χρησιμοποιηθεί από παιδιά ηλικίας 8 ετών και άνω ή άτομα με μειωμένες σωματικές, αισθητηριακές ή διανοητικές ικανότητες ή με έλλειψη εμπειρίας και γνώσης της συσκευής, εφόσον βρίσκονται υπό επιτήρηση ή έχουν λάβει οδηγίες σχετικά με την ασφαλή χρήση της συσκευής και κατανοούν τους κινδύνους που συνεπάγεται. Τα παιδιά απαγορεύεται να παίζουν με τη συσκευή. Εργασίες καθαρισμού και συντήρησης του χρήστη δεν πρέπει να εκτελούνται από παιδιά χωρίς επιτήρηση.

⚠ ΠΡΟΕΙΔΟΠΟΙΗΣΗ: Η συσκευή και τα προσβάσιμα εξαρτήματά της μπορεί να ζεσταθούν κατά τη διάρκεια της χρήσης. Πρέπει να είστε προσεκτικοί, ώστε να αποφεύγετε τυχόν επαφή με τις αντιστάσεις. Τα παιδιά κάτω των 8 ετών δεν πρέπει να πλησιάζουν τη συσκευή, εκτός εάν επιτηρούνται διαρκώς.

ΕΠΙΤΡΕΠΟΜΕΝΗ ΧΡΗΣΗ

⚠ ΠΡΟΣΟΧΗ: Η συσκευή δεν προορίζεται για χρήση σε συνδυασμό με εξωτερικό χρονοδιακόπτη ή ξεχωριστό σύστημα απομακρυσμένου ελέγχου.

⚠ Η συσκευή αυτή έχει σχεδιαστεί για οικιακή χρήση καθώς και για παρόμοιες χρήσεις όπως: κουζίνες προσωπικού σε καταστήματα, γραφεία και άλλους χώρους εργασίας, αγροκτήματα, από πελάτες σε ξενοδοχεία, μοτέλ, bed & breakfast και άλλους χώρους κατοικίας.

⚠ Απαγορεύεται οποιαδήποτε άλλη χρήση (π.χ. θέρμανση δωματίων).

⚠ Αυτή η συσκευή δεν προορίζεται για επαγγελματική χρήση. Μην χρησιμοποιείτε τη συσκευή σε εξωτερικό χώρο.

ΕΓΚΑΤΑΣΤΑΣΗ

⚠ Ο χειρισμός και η εγκατάσταση της συσκευής πρέπει να γίνονται από δύο ή περισσότερα άτομα - κίνδυνος τραυματισμού. Χρησιμοποιείτε γάντια προστασίας για να αφαιρέσετε τη συσκευασία και να κάνετε την εγκατάσταση - κίνδυνος κοψίματος.

⚠ Η εγκατάσταση, συμπεριλαμβανομένης της παροχής νερού (εάν υπάρχει), τις ηλεκτρικές συνδέσεις και τις επισκευές, πρέπει να πραγματοποιούνται από τεχνικά εξειδικευμένο προσωπικό. Μην επισκευάζετε και μην αντικαθιστάτε κανένα εξάρτημα της συσκευής, εκτός εάν αναφέρεται ρητά στο εγχειρίδιο χρήσης. Κρατήστε τα παιδιά μακριά από το χώρο εγκατάστασης. Μετά από την αποσυσκευασία της συσκευής, βεβαιωθείτε ότι δεν έχει προκληθεί ζημιά σε αυτήν κατά τη μεταφορά. Εάν παρουσιαστεί κάποιο πρόβλημα, επικοινωνήστε με τον αντιπρόσωπο ή με το πλησιέστερο Κέντρο Τεχνικής Υποστήριξης. Μετά την εγκατάσταση, τα υλικά συσκευασίας (πλαστικά, φελιζόλ, κ.λπ.) πρέπει να φυλάσσονται μακριά από τα παιδιά - κίνδυνος ασφυξίας. Η συσκευή πρέπει να αποσυνδέεται από την ηλεκτρική τροφοδοσία πριν από κάθε εργασία εγκατάστασης - κίνδυνος ηλεκτροπληξίας. Κατά την εγκατάσταση, βεβαιωθείτε ότι δεν έχει προκληθεί ζημιά στο καλώδιο τροφοδοσίας από τη συσκευή - κίνδυνος πυρκαγιάς ή ηλεκτροπληξίας. Ενεργοποιήστε τη συσκευή μόνο εφόσον ολοκληρωθεί η εγκατάσταση.

⚠ Εκτελέστε όλες τις εργασίες κοπής πριν τοποθετήσετε το φούρνο στο έπιπλο και αφαιρέστε όλα τα ροκανίδια και τα πριονίδια.

⚠ Αν η συσκευή δεν εγκατασταθεί πάνω σε ένα φούρνο, πρέπει να τοποθετηθεί ένα διαχωριστικό πάνελ (δεν περιλαμβάνεται) στο χώρο κάτω από τη συσκευή.

ΗΛΕΚΤΡΙΚΕΣ ΠΡΟΕΙΔΟΠΟΙΗΣΕΙΣ

⚠ Πρέπει να είναι δυνατή η αποσύνδεση της συσκευής από την ηλεκτρική τροφοδοσία με αφαίρεση του φics εάν η πρίζα είναι προσβάσιμη ή με χρήση του πολυπολικού διακόπτη που έχει εγκατασταθεί πριν από την πρίζα σύμφωνα με τα εθνικά πρότυπα ηλεκτρικής ασφαλείας και η συσκευή πρέπει να διαθέτει γείωση με βάση τα εθνικά πρότυπα ασφαλείας.

⚠ Μην χρησιμοποιείτε καλώδια προέκτασης (μπαλαντέζες), πολύπριζα ή προσαρμογείς. Μετά την ολοκλήρωση της εγκατάστασης, δεν πρέπει να είναι δυνατή η πρόσβαση στα ηλεκτρικά εξαρτήματα. Μην χρησιμοποιείτε τη συσκευή όταν είστε βρεγμένος ή με γυμνά πόδια. Μην χρησιμοποιήσετε τη συσκευή εάν έχει φθαρεί το ηλεκτρικό καλώδιο ή το φις, εάν δεν λειτουργεί κανονικά, εάν έχει πέσει ή εάν έχει υποστεί άλλη ζημιά.

⚠ Δεν επιτρέπεται η εγκατάσταση με βύσμα καλωδίου τροφοδοσίας, εκτός εάν το προϊόν είναι ήδη εξοπλισμένο με αυτό που παρέχεται από τον Κατασκευαστή.


⚠ Εάν το καλώδιο τροφοδοσίας έχει υποστεί ζημιά, πρέπει να αντικατασταθεί από τον κατασκευαστή, τον αντιπρόσωπο τεχνικής υποστήριξης ή άλλα καταρτισμένα άτομα, ώστε να αποφευχθούν τυχόν κίνδυνοι - κίνδυνος ηλεκτροπληξίας.

ΣΥΝΤΗΡΗΣΗ ΚΑΙ ΚΑΘΑΡΙΣΜΟΣ

⚠ ΠΡΟΕΙΔΟΠΟΙΗΣΗ: Πριν από οποιαδήποτε εργασία συντήρησης, βεβαιωθείτε ότι η συσκευή είναι σβηστή και αποσυνδεδεμένη από το δίκτυο τροφοδοσίας. Ποτέ μην χρησιμοποιείτε συσκευές καθαρισμού με ατμό - κίνδυνος ηλεκτροπληξίας.

⚠ Μην χρησιμοποιείτε αποξεστικά ή διαβρωτικά προϊόντα, καθαριστικά με βάση τη χλωρίνη ή συρμάτινα σφουγγαράκια.

ΑΠΟΡΡΙΨΗ ΥΛΙΚΩΝ ΣΥΣΚΕΥΑΣΙΑΣ


Τα υλικά της συσκευασίας είναι 100% ανακυκλώσιμα και φέρουν το σύμβολο της ανακύκλωσης .

Συνεπώς, τα διάφορα υλικά συσκευασίας πρέπει να απορρίπτονται υπεύθυνα και με πλήρη συμμόρφωση των κανονισμών των τοπικών αρχών που διέπουν την απόρριψη απορριμμάτων.

ΑΠΟΡΡΙΨΗ ΗΛΕΚΤΡΙΚΩΝ ΟΙΚΙΑΚΩΝ ΣΥΣΚΕΥΩΝ

Η συσκευή αυτή έχει κατασκευαστεί από ανακυκλώσιμα ή επαναχρησιμοποιήσιμα υλικά. Απορρίψτε σύμφωνα με τους τοπικούς κανονισμούς περί απόρριψης των απορριμμάτων. Για περαιτέρω πληροφορίες σχετικά με την επεξεργασία, την ανάκτηση και την ανακύκλωση των ηλεκτρικών οικιακών συσκευών, επικοινωνήστε με τις αρμόδιες τοπικές αρχές, την υπηρεσία συλλογής οικιακών αποβλήτων ή το κατάστημα από όπου αγοράσατε αυτό το προϊόν. Αυτή η συσκευή επισμαίνεται σύμφωνα με την Ευρωπαϊκή Οδηγία 2012/19/ΕΕ, Απόβλητα Ηλεκτρικού και Ηλεκτρονικού Εξοπλισμού (ΑΗΗΕ) και με τους κανονισμούς 2013 για τα Απόβλητα Ηλεκτρικού και Ηλεκτρονικού Εξοπλισμού (όπως τροποποιήθηκε).

Εξασφαλίζοντας τη σωστή απόρριψη αυτού του προϊόντος, θα βοηθήσετε στην αποτροπή των πιθανά βλαβερών συνεπειών για το περιβάλλον και την ανθρώπινη υγεία.

Το σύμβολο  στο προϊόν ή στα συνοδευτικά έντυπα υποδεικνύει ότι πρέπει να αντιμετωπίζεται ως οικιακό απόρριμμα αλλά πρέπει να μεταφέρετε στο κατάλληλο κέντρο συλλογής για ανακύκλωση ηλεκτρονικού και ηλεκτρικού εξοπλισμού.

ΣΥΜΒΟΥΛΕΣ ΓΙΑ ΕΞΟΙΚΟΝΟΜΗΣΗ ΕΝΕΡΓΕΙΑΣ

Αξιοποιήστε στο έπακρο την υπολειπόμενη θερμότητα της ζεστής εστίας σβήνοντάς την μερικά λεπτά πριν ολοκληρωθεί το μαγείρεμα.

Η βάση της κατσαρόλας ή του τηγανιού πρέπει να καλύπτει εντελώς τη ζεστή εστία. Ένα μικρότερο δοχείο από την εστία προκαλεί άσκοπη απώλεια ενέργειας.

Σκεπάζετε τις κατσαρόλες και τα τηγάνια σας κατά το μαγείρεμα με καπάκια σφιχτής εφαρμογής και χρησιμοποιείτε όσο λιγότερο νερό μπορείτε. Το μαγείρεμα χωρίς καπάκι αυξάνει σε μεγάλο βαθμό την κατανάλωση ενέργειας.

Χρησιμοποιείτε μόνο κατσαρόλες και τηγάνια με επίπεδη βάση.

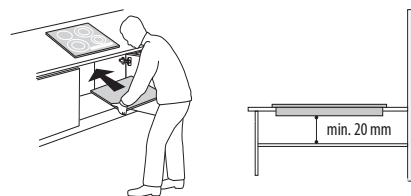
ΔΗΛΩΣΗ ΣΥΜΜΟΡΦΩΣΗΣ

Η συσκευή αυτή πληροί τις απαιτήσεις οικολογικού σχεδιασμού του Ευρωπαϊκού κανονισμού 66/2014 και τον οικολογικό σχεδιασμό για σχετικά με την ενέργεια προϊόντα και ενεργειακές πληροφορίες (Τροποποίηση) (ΕΕ Exit) Κανονισμοί 2019, σύμφωνα με το Ευρωπαϊκό πρότυπο EN 60350-2.



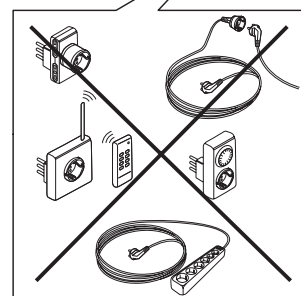
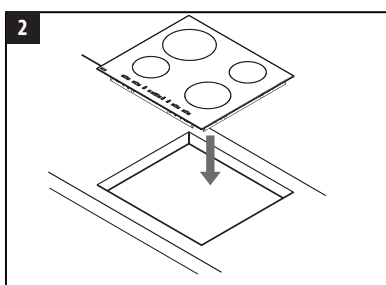
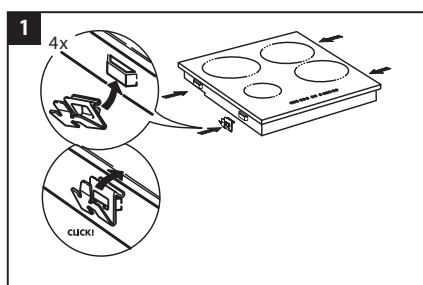
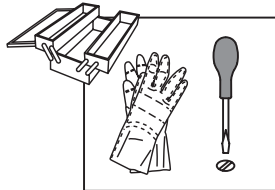
ΕΓΚΑΤΑΣΤΑΣΗ

- Η εστία πρέπει να τοποθετηθεί σε πάγκο βάρους τουλάχιστον 20 mm.
- Δεν πρέπει να υπάρχει τίποτα ανάμεσα στην επιφάνεια ψησίματος και του φούρνου (διασταυρωμένες ράγες, βραχίονες κ.λπ.).
- Βεβαιωθείτε ότι το καλώδιο τροφοδοσίας είναι αρκετά μακρύ για εύκολη εγκατάσταση.
- Η απόσταση μεταξύ της κάτω επιφάνειας της γυάλινης κεραμικής εστίας και του ντουλαπιού ή το διαχωριστικό πάνελ πρέπει να είναι τουλάχιστον 20 mm.
- Για τις διαστάσεις ενσωμάτωσης και την εγκατάσταση, δείτε την εικόνα στην παρούσα παράγραφο.
- Πρέπει να διατηρείται μια ελάχιστη απόσταση μεταξύ της εστίας και του απορροφητήρα που βρίσκεται από πάνω. Ανατρέξτε στο εγχειρίδιο χρήσης του απορροφητήρα για περισσότερες πληροφορίες.
- Εφαρμόστε το παρεχόμενο παρέμβυσμα στην μονάδα εστιών (εκτός εάν έχει ήδη τοποθετηθεί), αφού καθαρίσετε την επιφάνεια.
- **Μην τοποθετείτε την μονάδα εστιών κοντά σε πλυντήριο πιάτων ή στο πλυντήριο ρούχων, έτσι ώστε τα ηλεκτρονικά κυκλώματα να μην έρχονται σε επαφή με ατμό ή υγρασία, κάτι που θα μπορούσε να προκαλέσει ζημιά σε αυτά.**
- Αν ένας φούρνος είναι εγκατεστημένος κάτω από την μονάδα εστιών, βεβαιωθείτε ότι είναι εξοπλισμένος με σύστημα ψύξης. Εάν η θερμοκρασία των ηλεκτρονικών κυκλωμάτων υπερβαίνει τη μέγιστη επιτρεπόμενη θερμοκρασία, η μονάδα εστιών θα απενεργοποιηθεί αυτόματα. Σε αυτή την περίπτωση, περιμένετε λίγα λεπτά έως ότου η εσωτερική θερμοκρασία των ηλεκτρονικών κυκλωμάτων να φτάσει σε ένα αποδεκτό επίπεδο, στο οποίο θα είναι δυνατό να ανάψετε ξανά τη μονάδα εστιών.

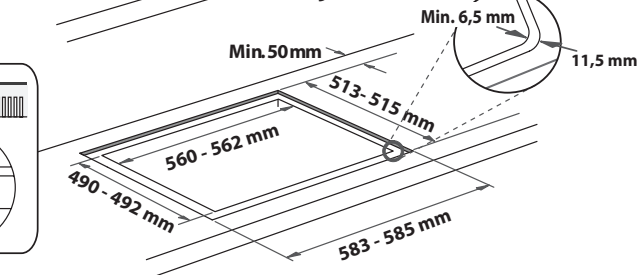
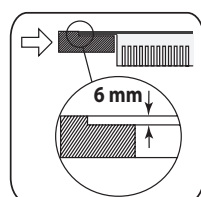
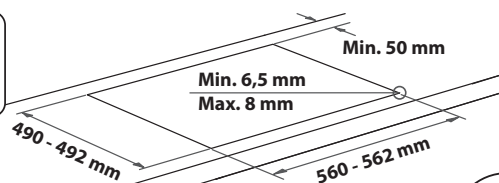
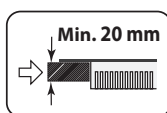
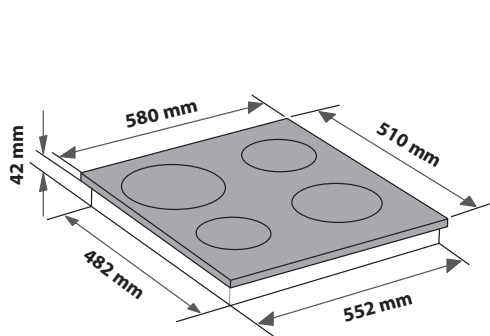
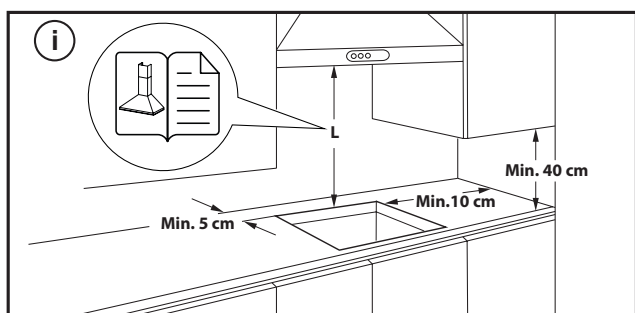


ΤΟΠΟΘΕΤΗΣΗ ΤΗΣ ΜΟΝΑΔΑΣ ΕΣΤΙΩΝ

Μετά την ηλεκτρική σύνδεση (βλ. κεφάλαιο "Ηλεκτρική σύνδεση"), τοποθετήστε κάθε κλιπ στερέωσης στις ειδικές υποδοχές στα πλαϊνά της μονάδας εστιών, όπως φαίνεται στην εικόνα. Στη συνέχεια, σπρώξτε τη μονάδα εστιών μέσα στο άνοιγμα και βεβαιωθείτε ότι το γυαλί είναι επίπεδο και παράλληλο με τον πάγκο. Τα κλιπ στερέωσης είναι σχεδιασμένα για κάθε είδους πάγκο (ξύλο, μάρμαρο κ.λπ.).



ΔΙΑΣΤΑΣΕΙΣ ΚΑΙ ΑΠΟΣΤΑΣΕΙΣ ΠΟΥ ΠΡΕΠΕΙ ΝΑ ΤΗΡΟΥΝΤΑΙ



ΑΦΑΙΡΕΣΗ ΤΗΣ ΕΣΤΙΑΣ:

Για να αφαιρέσετε την εστία, πρώτα αποσυνδέστε την από την παροχή ρεύματος. Συνιστάται ανεπιφύλακτα να ελευθερώσετε το κάτω μέρος από το φούρνο, το συρτάρι, το διαχωριστικό ή άλλο. Επιτρέπει στον τεχνικό να έχει πρόσβαση στο κάτω μέρος της εστίας για να ξεσφίξει τα τέσσερα κλιπ με ένα κατασαβίδι, να σηκώσει την εστία και να την αφαιρέσει, αποφεύγοντας οποιαδήποτε ζημιά στον πάγκο εργασίας.

ΗΛΕΚΤΡΙΚΗ ΣΥΝΔΕΣΗ

Πριν συνδέσετε τη συσκευή στην τροφοδοσία ρεύματος, πρέπει να γίνει η ηλεκτρική σύνδεση.

Το καλώδιο τροφοδοσίας δεν περιλαμβάνεται στη συσκευασία - θυμηθείτε να προετοιμάσετε το δικό σας καλώδιο τροφοδοσίας.

Η εγκατάσταση πρέπει να πραγματοποιηθεί από εξειδικευμένο προσωπικό που γνωρίζει τους τρέχοντες κανονισμούς ασφαλείας και εγκατάστασης.

Συγκεκριμένα, η εγκατάσταση πρέπει να πραγματοποιείται σύμφωνα με τους κανονισμούς της τοπικής εταιρείας παροχής ηλεκτρικής ενέργειας.

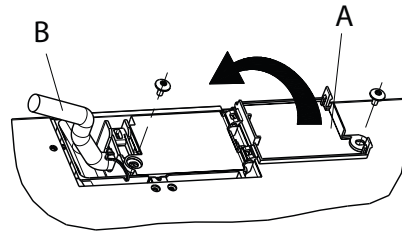
Βεβαιωθείτε ότι η τάση που καθορίζεται στην πινακίδα στοιχείων στο κάτω μέρος της συσκευής είναι η ίδια με την οικιακή.

Οι κανονισμοί απαιτούν τη γείωση της συσκευής: χρησιμοποιήστε καλώδια (συμπεριλαμβανομένου του καλωδίου γείωσης) κατάλληλου μεγέθους μόνο.

ΣΥΝΔΕΣΗ ΣΤΟΝ ΠΙΝΑΚΑ ΑΚΡΟΔΕΚΤΩΝ


Για ηλεκτρική σύνδεση, χρησιμοποιήστε ένα καλώδιο H05RR-F ή H05V2V2-F όπως καθορίζεται στον παρακάτω πίνακα.

ΤΑΣΗ ΠΑΡΟΧΗΣ	ΑΓΩΓΟΙ ΠΟΣΟΤΗΤΑ x ΜΕΓΕΘΟΣ
220-240V ~ + 	3 x 4 mm ²
230-240V ~ + 	3 x 4 mm ² (μόνο για την Αυστραλία)
220-240V 3~ + 	4 x 1,5 mm ²
380-415V 3N~ + 	5 x 1,5 mm ²
380-425V 2N~ + 	4 x 1,5 mm ²



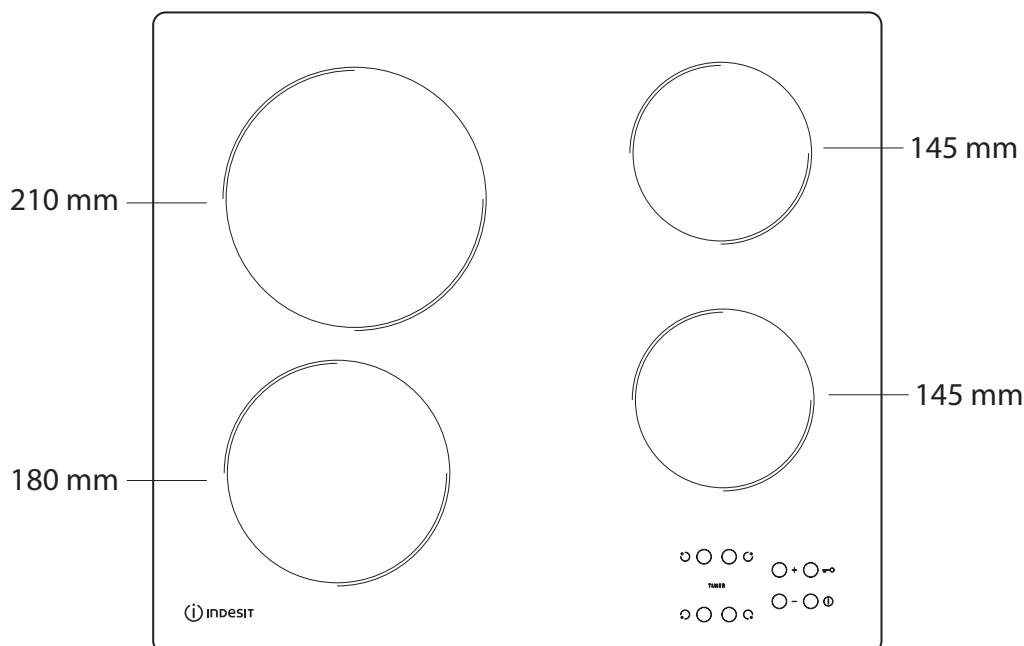
Η συσκευή πρέπει να συνδεθεί στην τροφοδοσία ρεύματος μέσω ενός πολυπολικού διακόπτη αποσύνδεσης με ελάχιστο διάστημα επαφής 3 mm.

ΠΡΟΣΟΧΗ: Το καλώδιο τροφοδοσίας πρέπει να είναι αρκετά μακρύ ώστε να επιτρέπεται η αφαίρεση της μονάδας εστιών από τον πάγκο και πρέπει να τοποθετείται έτσι ώστε να αποφεύγεται η πρόκληση ζημιάς ή υπερθέρμανση που προκαλείται από την επαφή με τη βάση.

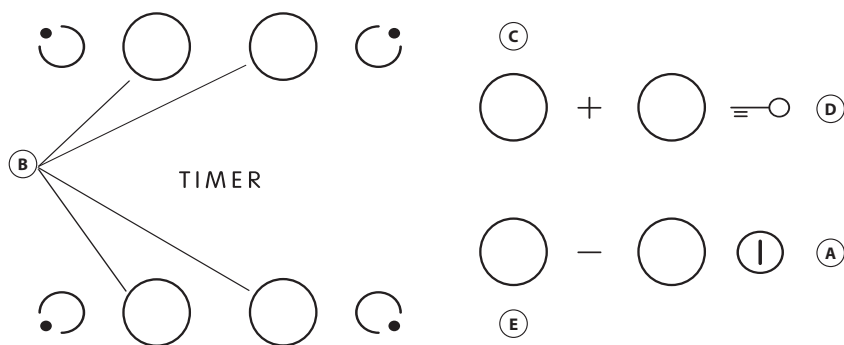
ΣΗΜΕΙΩΣΗ: Το κίτρινο/πράσινο καλώδιο γείωσης πρέπει να συνδεθεί στο τερματικό με το σύμβολο  και πρέπει να είναι μεγαλύτερο από τα άλλα καλώδια.

- Βγάλτε περίπου 70 mm από το περίβλημα του καλωδίου τροφοδοσίας (B).
- Απογυμνώστε περίπου 10 mm από τα καλώδια. Εισαγάγετε το καλώδιο τροφοδοσίας στο σφιγκτήρα και συνδέστε τα καλώδια στους ακροδέκτες όπως φαίνεται στο διάγραμμα σύνδεσης που βρίσκεται δίπλα από την πλακέτα ακροδεκτών.
- Ασφαλίστε το καλώδιο τροφοδοσίας (B) μέσω του σφιγκτήρα καλωδίου.
- Κλείστε την πλακέτα ακροδεκτών με το κάλυμμα (A) ασφαρίζοντας το με την προβλεπόμενη βίδα.
- Μετά την ηλεκτρική σύνδεση, τοποθετήστε τη μονάδα εστιών από το πάνω μέρος και στερεώστε τη στα ελατήρια στήριξης, σύμφωνα με την εικόνα.

ΠΕΡΙΓΡΑΦΗ ΠΡΟΪΟΝΤΟΣ



ΠΙΝΑΚΑΣ ΕΛΕΓΧΟΥ



- A** Ενεργ/Απενεργ
- B** Επιλογή εστίων και χρονοδιακόπτης
- C-E** Αύξηση και μείωση ρύθμισης θερμοκρασίας
- D** Κλείδωμα πλήκτρων

ΠΡΩΤΗ ΧΡΗΣΗ

Κατά την πρώτη εγκατάσταση, ο πίνακας διακοπών θα εκτελέσει έναν έλεγχο λειτουργίας για περίπου 1 δευτερόλεπτο και, στη συνέχεια, θα ενεργοποιήσει αυτόματα τη λειτουργία "Κλείδωμα πλήκτρων". Γι να απενεργοποιήσετε αυτή τη λειτουργία, πατήστε και κρατήστε

πατημένο το κουμπί "D", ένα ηχητικό σήμα θα ηχήσει και το αντίστοιχο led θα σβήσει.

ΣΗΜΕΙΩΣΗ: Σε περίπτωση επαναρρύθμισης της συσκευής, επαναλάβετε τη διαδικασία που περιγράφεται πιο πάνω.

ΚΑΘΗΜΕΡΙΝΗ ΧΡΗΣΗ

① ΕΝΕΡΓΟΠΟΙΗΣΗ/ΑΠΕΝΕΡΓΟΠΟΙΗΣΗ ΜΟΝΑΔΑΣ ΕΣΤΙΩΝ

Για να ενεργοποιήσετε τη μονάδα εστίων, πρέπει να κρατήσετε πατημένο το κουμπί "A" για 2 περίπου δευτερόλεπτα. Στις οθόνες των 4 εστίων μαγειρέματος εμφανίζεται η ένδειξη "0". Εάν μέσα σε 20 περίπου δευτερόλεπτα δεν ανάβει καμία από τις μαγειρικές εστίες, η μονάδα των εστίων σβήνει αυτόματα για λόγους ασφαλείας.

ΕΝΕΡΓΟΠΟΙΗΣΗ ΚΑΙ ΡΥΘΜΙΣΗ ΕΣΤΙΩΝ

Πιέστε ένα από τα κουμπιά "B" που αντιστοιχεί στη ζώνη μαγειρέματος που σκοπεύετε να χρησιμοποιήσετε. Επιλέξτε τη ρύθμιση μαγειρέματος πατώντας τα κουμπιά "E" ή "C". Οι άλλες επιλέξιμες ρυθμίσεις μαγειρέματος κυμαίνονται από 1 έως 9. Πιέστε ταυτόχρονα τα κουμπιά "+/-" για να ακυρώσετε όλες τις ρυθμίσεις.

ΠΡΟΣΟΧΗ: ο διακόπτης απενεργοποιείται 10 δευτερόλεπτα μετά την επιλογή της ρύθμισης της θερμοκρασίας. Για αλλαγή της ρύθμισης της θερμοκρασίας, πιέστε ξανά το κουμπί επιλογής "B" και αλλάξτε τη ρύθμιση, χρησιμοποιώντας τα κουμπιά "E" ή "C".

ΧΡΟΝΟΔΙΑΚΟΠΤΗ

Για τη ρύθμιση της λειτουργίας χρονοδιακόπτη, επιλέξτε την εστία και το επίπεδο ισχύος και πατήστε ξανά το πλήκτρο της εστίας, στο σημείο αυτό ανάβει μια φωτεινή ένδειξη στην οθόνη της εστίας που λειτουργεί με χρονορύθμιση. Στις 2 οθόνες ανάβει η ένδειξη "00". Πατήστε τα κουμπιά "E" ή "C" για να ρυθμίσετε το χρόνο από 1 έως 99.

ΠΡΟΣΟΧΗ: μετά από 10 δευτερόλεπτα οι οθόνες του χρονοδιακόπτη εμφανίζουν το επίπεδο ισχύος των άλλων εστίων. Για να εμφανιστεί ο χρόνος που απομένει πατήστε δύο φορές την εστία που λειτουργεί με χρονορύθμιση.

ΜΙΑ ΛΕΙΤΟΥΡΓΙΑ

Αυτή η λειτουργία επιτρέπει την αυτόματη μείωση του επιπέδου ισχύος της ζώνης μαγειρέματος από την υψηλότερη τιμή (επίπεδο 9) σε αυτήν που έχει επιλέξει ο χρήστης για μεταγενέστερο στάδιο μαγειρέματος.

Για να ενεργοποιήσετε αυτή τη λειτουργία, πατήστε πρώτα το κουμπί "+" όταν φτάσετε στο επίπεδο 9.

Στην οθόνη εμφανίζεται το "A" και το "9" αναβοσβήνει εναλλάξ με χαμηλή φωτεινότητα.

Σε αυτό το σημείο, επιλέξτε το επιθυμητό επίπεδο ισχύος (λιγότερο από 9) με το κουμπί "-".

Το "A" και το επιλεγμένο επίπεδο αναβοσβήνουν εναλλάξ με χαμηλή φωτεινότητα στην οθόνη. Η λειτουργία ενεργοποιείται μία φορά "A" και το επιλεγμένο επίπεδο αναβοσβήνει εναλλάξ με υψηλή φωτεινότητα στην οθόνη.

Μόλις το "A" δεν είναι πλέον ορατό στην οθόνη (η λειτουργία "A" απενεργοποιείται αυτόματα μετά από αρκετά λεπτά, ανάλογα με το επίπεδο ισχύος που έχει ρυθμιστεί), η διαδικασία μαγειρέματος συνεχίζεται με χαμηλότερη ισχύ και στην οθόνη εμφανίζεται μόνο το επιλεγμένο επίπεδο ισχύος.

ΣΗΜ.: αυτή η λειτουργία δεν είναι δυνατή με το επίπεδο 9.

☰ ΚΛΕΙΔΩΜΑ ΠΛΗΚΤΡΩΝ

Η λειτουργία Κλείδωμα πλήκτρων ενεργοποιείται κρατώντας πατημένο το κουμπί "D" έως ότου σβήσει η κουκκίδα πάνω από το κουμπί λειτουργίας. Ο πίνακας ελέγχου είναι κλειδωμένος εκτός από τη λειτουργία απενεργοποίησης. Η λειτουργία παραμένει ενεργοποιημένη ακόμη και αφού σβήσετε και ανάψετε πάλι τη μονάδα εστίων και μπορεί να απενεργοποιηθεί πιέζοντας το κουμπί "D" ξανά έως ότου σβήσει η κουκκίδα πάνω από το κουμπί λειτουργίας. Όταν η εστία είναι απενεργοποιημένη με το κλείδωμα των κουμπιών ενεργοποιημένο, για να ενεργοποιήσετε την εστία, απενεργοποιήστε πρώτα τη λειτουργία κλειδώματος των κουμπιών πατώντας ξανά το κουμπί "D" μέχρι να σβήσει η κουκκίδα πάνω από το κουμπί λειτουργίας.

Η παρουσία νερού, υγρού που χύνεται από κατσαρόλες ή οποιωνδήποτε αντικειμένων ακουμπούν στα χειριστήρια μπορεί να ενεργοποιήσει ή να απενεργοποιήσει κατά λάθος το κλείδωμα των κουμπιών.

H ΕΝΔΕΙΞΗ ΥΠΟΛΕΙΠΟΜΕΝΗΣ ΘΕΡΜΟΤΗΤΑΣ

Όταν σβήσει η εστία, η ένδειξη υπολειπόμενης θερμότητας "H" παραμένει αναμμένη ή αναβοσβήνει με "0" μέχρι η θερμοκρασία της εστίας να επιστρέψει εντός των ορίων ασφαλείας.

ΠΡΟΣΟΧΗ: Οι λειτουργίες ασφαλείας της εστίας περιλαμβάνουν μια λειτουργία για αυτόματο σβήσιμο. Η παρατεταμένη χρήση της ίδιας ρύθμισης θερμοκρασίας ενεργοποιεί το αυτόματο σβήσιμο της εστίας (για παράδειγμα, μετά από περίπου 1 ώρα στη μέγιστη ρύθμιση θερμοκρασίας, η εστία σβήνει).

ΣΗΜΑΝΤΙΚΟ: Για να αποφύγετε μόνιμη βλάβη των εστίων:

- Μην χρησιμοποιείτε σκεύη με βάση που δεν είναι εντελώς επίπεδη
- Μην χρησιμοποιείτε μεταλλικά σκεύη με εμαγιέ βάση
- Μην τοποθετείτε ζεστές κατσαρόλες/σκεύη πάνω στον πίνακα ελέγχου.

ΠΙΝΑΚΑΣ ΡΥΘΜΙΣΕΩΝ ΙΣΧΥΟΣ

ΕΠΙΠΕΔΟ ΙΣΧΥΣ		ΤΡΟΠΟΣ ΜΑΓΕΙΡΕΜΑΤΟΣ	ΧΡΗΣΗ ΕΠΙΠΕΔΟΥ (υποδεικνύοντας την εμπειρία μαγειρέματος και τις συνήθειες)
Μέγιστη ισχύς	9	Βράσιμο	Ιδανική ρύθμιση για αύξηση της θερμοκρασίας του φαγητού για γρήγορο βράσιμο στην περίπτωση νερού ή για γρήγορο ζέσταμα υγρών μαγειρέματος.
	9 – 8	Τσιγάρισμα	Ιδανική ρύθμιση για ρόδισμα, πρώτα στάδια μαγειρέματος, τηγάνισμα καταψυγμένων προϊόντων και γρήγορο βράσιμο.
Υψηλή ισχύς	8 – 7	Ρόδισμα – διατήρηση βρασμού - ψήσιμο στο γκριλ	Ιδανικό για ρόδισμα, διατήρηση υψηλού βρασμού, μαγείρεμα και ψήσιμο στο γκριλ (μικρή διάρκεια, 5-10 λεπτά).
	7 – 6	Τηγάνισμα – μαγείρεμα – ψήσιμο στο γκριλ	Ιδανικό για διατήρηση χαμηλού βρασμού, μαγείρεμα και ψήσιμο στο γκριλ (μεσαία διάρκεια, 10-20 λεπτά), προθέρμανση και τηγάνισμα.
Μέτρια ισχύς	6 – 5	Απαλό τηγάνισμα	Ιδανικό για τηγάνισμα αυγών, ομελετών.
	5 – 4	Μαγείρεμα – σιγοβράσιμο – βράσιμο	Ιδανική ρύθμιση για μαγείρεμα μεγάλης διάρκειας (ρύζι, σάλτσες, ψητά, ψάρια) με υγρά (π.χ. νερό, κρασί, ζωμός, γάλα), συμπύκνωση κρέμας ζυμαρικών.
	4 – 3	Συμπύκνωση - συμπύκνωση κρέμας ζυμαρικών	
Χαμηλή ισχύς	2 – 1	Διατήρηση ζεστού φαγητού – συμπύκνωση κρέμας ριζότου	Ιδανικό για να διατηρείτε ζεστό το φαγητό που μόλις μαγειρέψατε (π.χ., σάλτσες, σούπες, minestrone), συμπύκνωση κρέμας ριζότου και διατήρηση των πιάτων σε βερνίκι ζεστά.
Ελάχιστη ισχύς	1	Απόψυξη	Ιδανική ρύθμιση για απόψυξη μικρών προϊόντων και απαλό λιώσιμο σοκολάτας ή βουτύρου.
Μηδενική ισχύς	0	—	Μονάδα εστιών σε κατάσταση αναμονής ή απενεργοποίησης (πιθανή υπολειπόμενη θερμότητα τέλους μαγειρέματος, που υποδεικνύεται με ένα "H").

Η εστία είναι επίσης εξοπλισμένη με τη λειτουργία "auto shut off" (αυτόματη απενεργοποίηση) που απενεργοποιεί τη ζώνη μαγειρέματος εάν δεν γίνει τροποποίηση του επιπέδου ισχύος μετά από ένα συγκεκριμένο χρονικό διάστημα, ανάλογα με την ίδια τη ρύθμιση ισχύος. Στον πίνακα, υπάρχει η χρονική διάρκεια κάθε επιπέδου ισχύος.

ΕΠΙΠΕΔΟ ΙΣΧΥΟΣ	ΧΡΟΝΟΣ ΑΥΤΟΜΑΤΗΣ ΑΠΕΝΕΡΓΟΠΟΙΗΣΗΣ
0	30 δευτερόλεπτα
1	10 ώρες
2	5 ώρες
3	5 ώρες
4	4 ώρες
5	3 ώρες
6	2 ώρες
7	2 ώρες
8	2 ώρες
9	1 ώρα

ΣΥΝΤΗΡΗΣΗ ΚΑΙ ΚΑΘΑΡΙΣΜΟΣ

Αποσυνδέστε τη συσκευή από το ηλεκτρικό δίκτυο.

- Μη χρησιμοποιείτε εξοπλισμό καθαρισμού με ατμό.
- Μην χρησιμοποιείτε αποξεστικά καθαριστικά ή συρμάτινα σφουγγαράκια γιατί μπορεί να προκαλέσουν ζημιά στο γυαλί.
- Μετά τη χρήση, καθαρίστε τη μονάδα εστιών (όταν κρυώσει), ώστε να απομακρυνθούν υπολείμματα τροφίμων και κηλίδες.
- Η ζάχαρη ή τα φαγητά με υψηλή περιεκτικότητα σε σάκχαρα προκαλούν φθορά στη μονάδα εστιών και πρέπει να καθαρίζονται αμέσως.

- Το αλάτι, η ζάχαρη και η άμμος μπορούν να χαράξουν την επιφάνεια του γυαλιού.
- Χρησιμοποιείτε μαλακό πανί, χαρτί κουζίνας ή ειδικά προϊόντα για τον καθαρισμό της μονάδας (ακολουθείτε τις οδηγίες του κατασκευαστή).
- Οι διαρροές υγρών στις εστίες μπορεί να προκαλέσει τη μετακίνηση ή τον κραδασμό των σκευών.
- Σκουπίστε καλά την επιφάνεια της μονάδας μετά τον καθαρισμό.

ΑΝΤΙΜΕΤΩΠΙΣΗ ΠΡΟΒΛΗΜΑΤΩΝ

Εάν η μονάδα εστιών δεν λειτουργεί σωστά, πριν επικοινωνήσετε με το κέντρο εξυπηρέτησης πελατών, ανατρέξτε στον οδηγό αντιμετώπισης προβλημάτων για να καθορίσετε το πρόβλημα.

- Διαβάστε τις οδηγίες που παρέχονται στην ενότητα "Καθημερινή χρήση".
- Βεβαιωθείτε ότι δεν υπάρχουν διακοπές στην παροχή.
- Σκουπίστε καλά την επιφάνεια της μονάδας μετά τον καθαρισμό.
- Εάν έχει επιλεγεί μια ζώνη μαγειρέματος και στην οθόνη εμφανίζεται ένα "F" ή ένα "ER" ακολουθούμενο από έναν αριθμό, επικοινωνήστε με το σέρβις και ενημερώστε σχετικά.
- Εάν ο κωδικός σφάλματος είναι "F03", "ER03" ή "E02", προσπαθήστε να το λύσετε ακολουθώντας αυτές τις οδηγίες:
 - Εάν εμφανιστεί το σφάλμα "E02" βεβαιωθείτε ότι δεν έχετε πατήσει κουμπιά για περισσότερα από 5 δευτερόλεπτα, ότι δεν υπάρχει αντικείμενο στην περιοχή HMI και ότι είναι καθαρή και στεγνή - κατά τον καθαρισμό, ακολουθήστε όσα αναφέρονται στην παράγραφο συντήρησης και καθαρισμού.
 - Εάν εμφανιστεί το σφάλμα "F03", δοκιμάστε να απενεργοποιήσετε και να ενεργοποιήσετε ξανά την εστία.
 - Εάν εμφανιστεί το σφάλμα "F04", επικοινωνήστε με τον κωδικό που εμφανίζεται.
- Αν η κουζίνα δε λειτουργεί ύστερα από παρατεταμένη χρήση, τότε η εσωτερική της θερμοκρασία είναι πολύ υψηλή. Περιμένετε μερικά λεπτά μέχρι να κρυώσει η κουζίνα.

- Εάν ο θερμαντήρας δεν είναι συνεχώς αναμμένος, αλλά ανάβει και σβήνει κυκλικά, ακόμα κι αν στην οθόνη το επίπεδο ισχύος δεν αλλάζει, αυτό αποτελεί μέρος της κανονικής λειτουργίας της εστίας. Ο κύκλος on/off (ενεργοποίηση/απενεργοποίηση) επιτρέπει τη ρύθμιση ισχύος του θερμαντήρα και είναι απολύτως φυσιολογικός. Σε ορισμένες περιπτώσεις, η θερμική προστασία θα μπορούσε να απενεργοποιήσει τον θερμαντήρα για κάποιο χρονικό διάστημα για να αποφευχθεί η ζημιά στο γυαλί. Παραδείγματα τέτοιων περιπτώσεων είναι: μαγείρεμα για μεγάλο χρονικό διάστημα σε υψηλό επίπεδο ισχύος, χρησιμοποιώντας κατασρόλες μικρότερες από το θερμαντικό στοιχείο και όχι κατασρόλες με επίπεδο πυθμένα.
- Εάν η εστία εκπέμπει έναν σύντομο ήχο χωρίς ο πελάτης να πατήσει κανένα κουμπί, φροντίστε να μην χυθεί υγρό στο HMI. Στεγνώστε το HMI και συνεχίστε να χρησιμοποιείτε την εστία. Εάν η εστία έχει απενεργοποιηθεί αυτόματα, αυτό μπορεί να προκληθεί από παρουσία υγρού στο HMI. Στεγνώστε το HMI και ενεργοποιήστε ξανά την εστία.

Εάν μετά από αυτούς τους ελέγχους το πρόβλημα παραμένει, απευθυνθείτε στο πλησιέστερο Κέντρο Εξυπηρέτησης Πελατών.

ΚΕΝΤΡΟ ΕΞΥΠΗΡΕΤΗΣΗΣ ΠΕΛΑΤΩΝ

Για να λάβετε πλήρη τεχνική υποστήριξη, παρακαλούμε να καταχωρίσετε τη συσκευή σας στην ιστοσελίδα www.indesit.com/register.

ΠΡΙΝ ΚΑΛΕΣΤΕ ΤΟ ΣΕΡΒΙΣ:

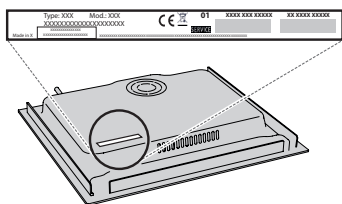
1. Επιχειρήστε να επιλύσετε μόνοι σας το πρόβλημα με τη βοήθεια των συστάσεων που παρέχονται στον **ΟΔΗΓΟ ΑΝΤΙΜΕΤΩΠΙΣΗΣ ΒΛΑΒΩΝ**.
2. Σβήστε και ανάψτε ξανά τη συσκευή για να διαπιστώσετε εάν η βλάβη παραμένει.

ΕΑΝ Η ΒΛΑΒΗ ΕΞΑΚΟΛΟΥΘΕΙ ΝΑ ΕΜΦΑΝΙΖΕΤΑΙ ΜΕΤΑ ΤΟΥΣ ΠΑΡΑΠΑΝΩ ΕΛΕΓΧΟΥΣ, ΕΠΙΚΟΙΝΩΝΗΣΤΕ ΜΕ ΤΟ ΠΛΗΣΙΕΣΤΕΡΟ ΣΕΡΒΙΣ.

Για τεχνική υποστήριξη, καλέστε τον αριθμό που αναγράφεται στο βιβλιαράκι εγγύησης ή ακολουθήστε τις οδηγίες στην www.indesit.com.

Όταν επικοινωνείτε με την Εξυπηρέτηση πελατών, αναφέρετε πάντα:

- Μια σύντομη περιγραφή της βλάβης;
- Τον τύπο και το ακριβές μοντέλο της συσκευής;



- τον σειριακό αριθμό (αριθμός μετά τη λέξη SN στην πινακίδα που βρίσκεται κάτω από τη συσκευή). Ο σειριακός αριθμός αναφέρεται επίσης στην τεκμηρίωση.



Mod. XXX XXX

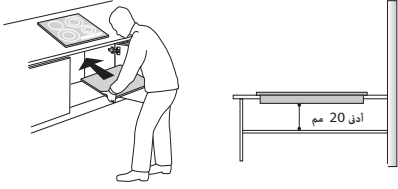
Ind.C. XXXX XXXX XXXX

Prod.N. 86999XXXXXXX S.N. XXXX XXXX XXXX

- την πλήρη διεύθυνσή σας
- τον αριθμό τηλεφώνου σας.

Εάν απαιτείται επισκευή, απευθυνθείτε σε ένα εξουσιοδοτημένο Κέντρο Εξυπηρέτησης Πελατών (για να διασφαλιστεί η χρήση γνήσιων ανταλλακτικών και η σωστή επισκευή).

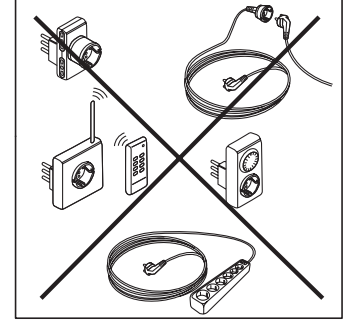
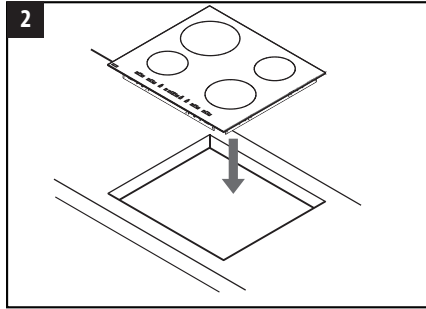
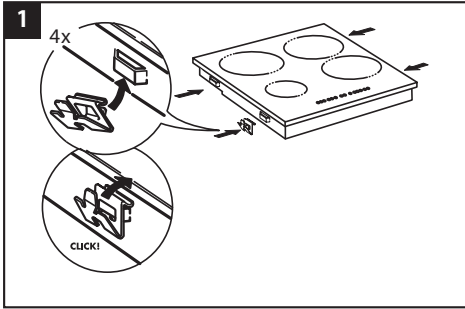
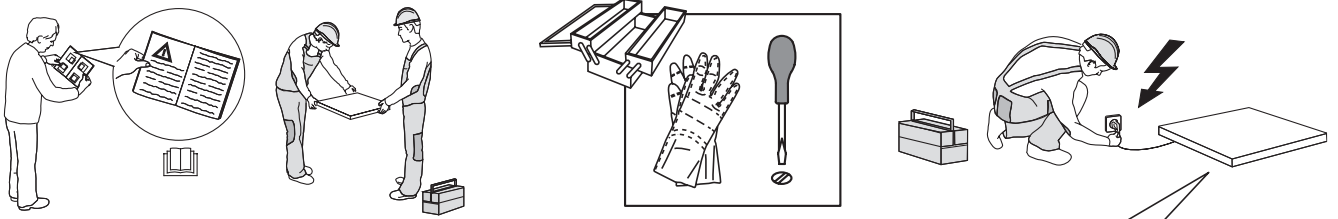
التوصيل الكهربائي



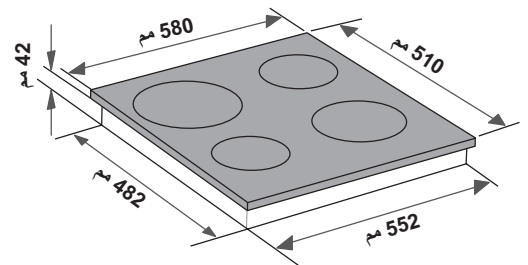
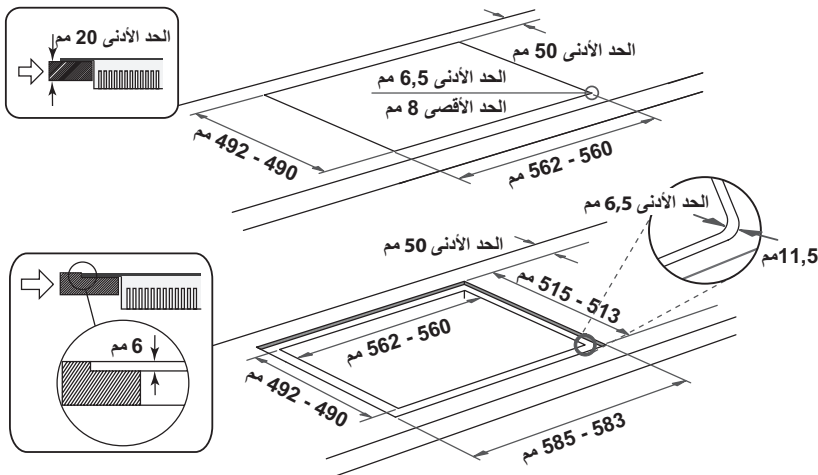
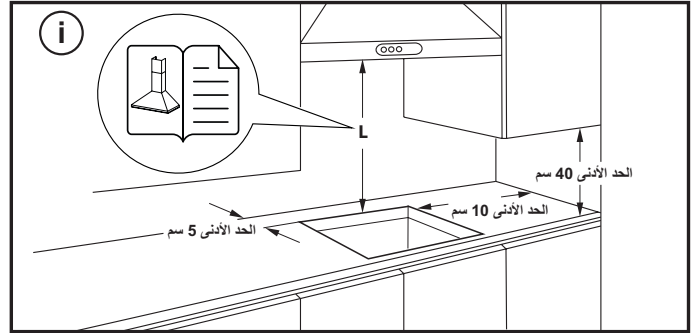
- يجب وضع الموقد في سطح عمل عمق 20م على الأقل.
- يجب عدم وجود أي شيء بين الموقد والفرن (قضبان عرضية، ركانز، وما شابه).
- تأكد من أن سلك الكهرباء طويل بما يكفي للسماح بالتركيب المريح.
- يجب ألا تقل المسافة بين السطح السفلي للموقد الخزفي الزجاجي والخزانة أو اللوحة الفاصلة عن 20 مم.
- للاطلاع على أبعاد الدمج والتركيب، انظر الصورة في هذه الفقرة.
- الحد الأدنى للمسافة التي يجب الحفاظ عليها بين الموقد والشفاط من فوقه. للمزيد من المعلومات يرجى الرجوع إلى دليل مستخدم الشفاط.
- ضع الجوانب الموردة على الموقد المسطح (ما لم يكن مركباً بالفعل)، بعد تنظيف سطحه.
- لا تقم بتركيب الموقد المسطح بالقرب من غسالة أطباق أو غسالة ملابس، وذلك حتى لا تتلامس الدوائر الإلكترونية مع البخار أو الرطوبة، وبالتالي تتسبب في إتلافها.
- في حالة تركيب فرن أسفل الموقد المسطح، تأكد من تزويد الفرن بنظام تبريد. فإذا تجاوزت درجة حرارة الدوائر الإلكترونية درجة الحرارة القصوى المسموح بها، فسيتم إيقاف الموقد المسطح أوتوماتيكياً، في هذه الحالة، انتظر دقائق قليلة إلى أن تصل درجة الحرارة الداخلية للدوائر الإلكترونية لمستوى مقبول، حيث يمكن عند هذه النقطة تشغيل الموقد مرة أخرى.

وضع الموقد

بعد التوصيل الكهربائي (انظر فصل "التوصيل الكهربائي") قم بوضع كل مشبك تثبيت على الفتحات المعنية بالجوانب الجانبية للموقد كما هو موضح في الصورة. وبعد ذلك ادفع الموقد داخل التجويف وتأكد من أن الزجاج مستوي وبيواري سطح العمل. مشابه التثبيت مصممة لجميع أنواع مواد سطح العمل (الخشب، الرخام، إلخ).



المسافات والأبعاد التي يجب مراعاتها



من المهم قراءتها والالتزام بها

الكهرباء قبل إجراء أية أعمال تركيب - خطر الصعق الكهربائي. وأثناء التركيب، تأكد من عدم إلحاق أي ضرر بكابلات الكهرباء من جراء الجهاز - خطر نشوب حريق أو الصعق الكهربائي. ولا تقم بتفعيل الجهاز إلا عند اكتمال عملية التركيب.

⚠️ قم بتنفيذ جميع أعمال قطع الكابينة قبل تركيب الجهاز في المبيت وتخلص بعناية من جميع الرقاقات الخشبية ونشارة الخشب.

⚠️ إذا لم يتم تركيب الجهاز فوق فرن، فيجب تركيب لوح فاصل (غير مورد) في الجزء الموجود أسفل الجهاز.

التحذيرات الكهربائية

⚠️ يجب توفر إمكانية فصل الجهاز من مصدر الكهرباء من خلال نزع القابس إن أمكن الوصول إليه، أو باستخدام مفتاح متعدد الأقطاب ومركب عند المقبس بالتوافق مع قواعد التوصيل، ويجب أن يكون الجهاز مؤرضاً، بالتوافق مع مواصفات الأمان الكهربائية المحلية.

⚠️ لا تستخدم أسلاك التمديد، أو المقابس متعددة التوصيلات أو المهايئات. يجب ألا يتسنى للمستخدم إمكانية الوصول إلى الأجزاء الكهربائية بعد التركيب. لا تستخدم الجهاز إذا كانت يداك مبتلتيين أو قدمك حافيتين. ولا تقم بتشغيل هذا الجهاز إذا كان هناك تلف في كابل أو قابس الكهرباء، أو في حالة تعذر تشغيله بالطريقة الصحيحة، أو إذا كان تالفاً، أو إذا سقط على الأرض.

⚠️ لا يُسمح بالتركيب باستخدام قابس كابل كهرباء ما لم يكن المنتج مجهزاً بالفعل بالقابس الذي توفره الجهة الصانعة.


⚠️ إذا لحق أي تلف بسلك التوصيل يجب استبداله عن طريق جهة الصنع أو وكيل الصيانة التابع لها أو أي شخص مؤهل بنفس الدرجة وذلك لتجنب المخاطر - خطر الصعق الكهربائي.

التنظيف والصيانة

⚠️ تحذير: تأكد من إيقاف الجهاز ومن فصله عن مصدر الكهرباء قبل إجراء أية أعمال صيانة، لا تستخدم أبداً أجهزة التنظيف بالبخار - خطر الصعق الكهربائي.

⚠️ لا تستخدم منتجات أكالة أو كاشطة أو منظفات كلورية أو أدوات تنظيف الأواني.

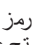
التخلص من مواد التغليف

مواد التغليف قابلة لإعادة التدوير بنسبة ١٠٠٪ ومميزة برمز إعادة التدوير . لذا، يجب التخلص من أجزاء التغليف المختلفة بطريقة مسؤولة وبالتوافق التام مع تشريعات السلطات المحلية الحاكمة لعملية التخلص من المخلفات.

تكهين الأجهزة المنزلية

تم تصنيع هذا الجهاز باستخدام مواد قابلة لإعادة التدوير أو إعادة الاستخدام. تخلص منه وفقاً للوائح المحلية الخاصة بالتخلص من المخلفات. لمزيد من المعلومات حول المعالجة والاسترداد وإعادة التدوير للأجهزة الكهربائية المنزلية، اتصل بالجهة المحلية المختصة أو خدمة جمع النفايات المنزلية أو المتجر الذي اشتريته منه الجهاز. هذا الجهاز مميّز حسب المواصفة الأوروبية 2012/19/EU، والأجهزة الكهربائية والإلكترونية القديمة (WEEE) ومع تشريعات الأجهزة الكهربائية والإلكترونية القديمة 2013 (وتعدلاتها).

من خلال التأكد من التخلص من هذا المنتج بالطريقة الصحيحة سوف تساهم في منع النتائج السلبية على البيئة وصحة الإنسان.

يشير الرمز  الموجود على المنتج أو على المستندات المرافقة للمنتج إلى أنه لا ينبغي التعامل مع هذا المنتج على أنه من المخلفات المنزلية، ولكن يجب تسليمه إلى مركز تجميع ملائم لإعادة تدوير الأجهزة الكهربائية والإلكترونية.

نصائح توفير الطاقة

احرص على تحقيق أقصى استفادة من الحرارة المتبقية بسطح التسخين من خلال إطفائه قبل نهاية الطهي بضع دقائق.

قاعدة الوعاء أو الإناء الخاص بك ينبغي أن تغطي سطح التسخين بالكامل، فالوعاء الذي يكون أصغر من سطح التسخين سوف يتسبب في إهدار الطاقة.

قم بتغطية الأواني والأوعية الخاصة بك بأغطية محكمة الغلق أثناء الطهي واستخدم كمية قليلة من الماء قدر الإمكان. فالطهي دون وضع غطاء على الإناء سوف يزيد من استهلاك الطاقة بشكل كبير. اقتصر على استخدام الأواني والأوعية ذات القواعد المستوية.

بيان المطابقة

هذا الجهاز يطابق متطلبات التصميم الاقتصادي للتشريع الأوروبي 2014/66 وتشريعات التصميم الاقتصادي للمنتجات المرتبطة بالطاقة والمعلومات (المعدلة) (EU EUP)، بالتوافق مع المواصفة الأوروبية EN 60300-2.

قم بتنزيل دليل التعليمات من الموقع <http://docs.indesit.eu> أو اتصل برقم الهاتف الموضح على كتيب الضمان.

اقرأ تعليمات السلامة هذه قبل استخدام الجهاز. واحتفظ بها في مكان قريب للرجوع إليها مستقبلاً.

تقدم هذه التعليمات والجهاز نفسه تحذيرات هامة خاصة بالسلامة يجب مراعاتها في جميع الأوقات. لا تتحمل الجهة الصانعة أي مسؤولية ناجمة عن عدم مراعاة تعليمات السلامة هذه، أو استخدام الجهاز بطريقة غير سليمة، أو ضبط عناصر التحكم بطريقة غير صحيحة.

⚠️ تحذير: في حالة تشقق سطح الموقد، لا تستخدم الجهاز - خطر الصعق الكهربائي.

⚠️ تحذير: خطر نشوب حريق: لا تقم بتخزين الأشياء على أسطح الطهي.

⚠️ تنبيه: يجب مراقبة عملية الطهي. ويجب مراقبة عملية الطهي القصيرة بصفة مستمرة.

⚠️ تحذير: طهي أطعمة تحتوي على دهون أو زيوت على الموقد دون مراقبة يمكن أن يكون خطيراً - خطر نشوب حريق. لا تحاول أبداً إطفاء الحريق باستخدام الماء؛ وبدلاً من ذلك، أطفئ الجهاز ثم قم بتغطية اللهب مثلاً بغطاء أو ببطانية إطفاء حريق.

⚠️ لا تستخدم الموقد كسطح عمل أو كسطح ارتكاز. احتفظ بالملايس والمواد الأخرى القابلة للاشتعال بعيداً عن الجهاز إلى أن تبرد جميع الأجزاء تماماً - خطر نشوب حريق.

⚠️ يجب إبعاد الأطفال الصغار (عمر 0 - 3 سنوات) عن الجهاز.

يجب إبعاد الأطفال الصغار (من 3 إلى 8 سنوات) عن الجهاز ما لم يكونوا تحت المراقبة المستمرة. ويمكن للأطفال اعتباراً من عمر 8 سنوات فأكثر، وللأشخاص الذين لديهم نقص في القدرات البدنية أو الحسية أو العقلية، أو لمن تنقصهم الخبرة والمعرفة استخدام هذا الجهاز بشرط الإشراف عليهم أو تزويدهم بالتعليمات المتعلقة باستخدامه بطريقة آمنة، وإذافهموا الأخطار المتعلقة به. يجب ألا يعيبت الأطفال بهذا الجهاز. يحظر على الأطفال تنظيف الجهاز وصيانته دون إشراف.

⚠️ تحذير: يسخن الجهاز وأجزاؤه التي يمكن الوصول إليها أثناء الاستخدام. يجب توخي الانتباه لتجنب ملامسة عناصر التسخين. يجب إبعاد الأطفال دون سن 8 سنوات إلا إذا كانت هناك ملاحظة وإشراف دائم عليهم.

الاستخدام المسموح به

⚠️ تنبيه: الجهاز غير مخصص للاستخدام عن طريق جهاز تشغيل خارجي مثل مؤقت خارجي أو نظام تشغيل عن بعد مستقل.

⚠️ هذا الجهاز مخصص للاستخدام في الأغراض المنزلية وما شابهها مثل: منطقة المطبخ في المحلات والمكاتب وبيئات العمل الأخرى، البيوت الريفية، ومن قبل نزلاء الفنادق والموتيلات والنزل بنظام المبيت والإفطار والبيئات الأخرى ذات الطابع السكني.

⚠️ ولا يُسمح باستخدامه في أي أغراض أخرى (مثلاً: تدفئة الغرف).

⚠️ هذا الجهاز غير مخصص للاستخدام المهني. لا تستخدم الجهاز في الهواء الطلق.

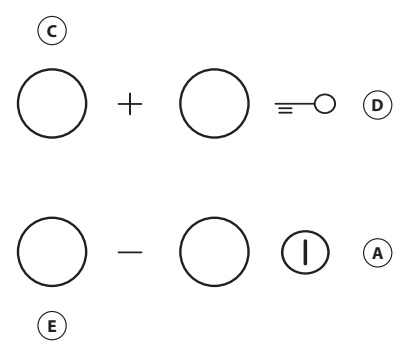
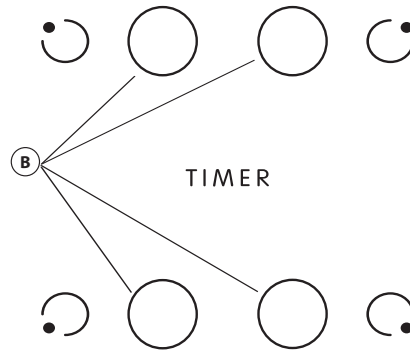
التركيب

⚠️ يجب التعامل مع الجهاز وتركيبه بواسطة شخصين أو أكثر - خطر الإصابة. ويتعين استخدام قفازات واقية لإخراج الجهاز من العبوة وتركيبه - خطر الإصابة بجروح.

⚠️ يجب إجراء عمليات التركيب بما فيها الإمداد بالماء (إذا كان موجوداً) والتوصيلات الكهربائية والإصلاح بواسطة فني مؤهل. لا تقم بإصلاح أو تغيير أي جزء من أجزاء الجهاز ما لم ينص دليل المستخدم على ذلك بشكل محدد. وأبعد الأطفال عن موقع التركيب بعد إخراج الجهاز من عبوته، تحقق من عدم تضرره أثناء النقل. وفي حالة وجود مشكلات، اتصل بالموزع أو أقرب مركز لخدمة ما بعد البيع. بمجرد إتمام التركيب، يجب تخزين مخلفات عبوة التغليف (الأجزاء البلاستيكية والستائر وقوم وخلافه) بعيداً عن متناول الأطفال - خطر الاختناق. ويجب فصل الجهاز عن مصدر



تشغيل/إيقاف تشغيل	A
تحديد الموقت ومنطقة الطهي	B
زيادة ونقص إعداد الحرارة	E - C
قفل المفاتيح	D



أول مرة للاستخدام

عداد التركيب لأول مرة، تجري لوحة التحكم اختباراً وظيفي لمدة ثانية واحدة تقريباً، وبعد هذا الاختبار تنتقل تلقائياً إلى وظيفة "قفل المفاتيح".
لإلغاء تنشيط الوظيفة، اضغط مع الاستمرار فوق الزر "D"; وستصدر إشارة

عداد التركيب لأول مرة، تجري لوحة التحكم اختباراً وظيفي لمدة ثانية واحدة تقريباً، وبعد هذا الاختبار تنتقل تلقائياً إلى وظيفة "قفل المفاتيح".
لإلغاء تنشيط الوظيفة، اضغط مع الاستمرار فوق الزر "D"; وستصدر إشارة

الاستخدام اليومي

قفل المفاتيح

يتم تشغيل وظيفة قفل المفاتيح بواسطة الضغط مع الاستمرار فوق الزر "D" حتى تضيء النقطة الموجودة أعلى زر الوظيفة. يتم قفل لوحة التحكم ما عدا وظيفة إيقاف. تظل الوظيفة مشغلة حتى بعد إيقاف الموقد وتشغيله مرة أخرى ويمكن إيقاف فعاليتها بالضغط على الزر "D" مجدداً إلى أن تنطفئ النقطة أعلى زر الوظيفة.

عندما يكون الموقد متوقف مع تفعيل قفل المفاتيح لتشغيل الموقد، قم أولاً بإيقاف فعالية وظيفة قفل المفاتيح عن طريق الضغط على الزر "D" مرة أخرى حتى تنطفئ النقطة فوق زر الوظيفة.

وجود ماء أو سائل مسكوب من الأواني أو أية أشياء مستندة على عناصر التحكم يمكن أن يؤدي إلى تفعيل أو إيقاف فعالية قفل المفاتيح.

مؤشر الحرارة الثابت

عند إيقاف تشغيل منطقة الطهي، يظل مؤشر الحرارة الثابت "H" مضيئاً أو يومض بالتبادل مع "0" تعود درجة حرارة المسخنة إلى نطاق مستويات السلامة.

مهم: تتضمن ميزات السلامة بالمسخنة وظيفة إيقاف التشغيل التلقائي. يؤدي الاستخدام لفترات طويلة لنفس إعداد الحرارة إلى تحفيز إيقاف التشغيل التلقائي لمنطقة الطهي (على سبيل المثال، بعد ساعة كحد أقصى من استخدام إعداد التسخين، يتم إيقاف تشغيل المسخنة).

هام: لتجنب حدوث ضرر دائم للموقد:

- لا تستخدم الأواني ذات القواعد غير المستوية،
- لا تستخدم الأواني المعدنية ذات القواعد المطلية،
- لا تضع الأواني/المقالي فوق لوحة التحكم.

تشغيل/إيقاف الموقد

لتشغيل المسخنة، اضغط على الزر "A" لمدة ثانيتين تقريباً. يظهر على شاشات منطقة الطهي الأربعة "0". إذا لم يتم تنشيط أي من مناطق الطهي خلال 20 ثانية، فستنطفئ المسخنة تلقائياً وفقاً لاحتياجات السلامة.

تشغيل وضبط نطاقات الطهي

اضغط على أحد أزرار "B" المقابلة لمنطقة الطهي التي تنوي استخدامها. اختر إعداد الحرارة اللازم باستخدام الأزرار "E" أو "C". تبدأ إعدادات الطهي القابلة للتحديد الأخرى من 1 إلى 9. اضغط فوق +/- في نفس الوقت لإلغاء جميع الإعدادات.

مهم: يتم إلغاء تنشيط التحكم لمدة 10 ثوانٍ بعد أن يتم تحديد إعداد التسخين. لتغيير إعداد الحرارة، اضغط أولاً على زر التحديد "B" مرة أخرى، ثم استمر في الخطوات لتغيير الإعداد باستخدام الأزرار "E" أو "C".

TIMER

لضبط وظيفة الموقت، حدد منطقة الطهي المرغوب فيها وإعداد الطاقة ثم اضغط فوق مفتاح منطقة الطهي مرة أخرى وستظهر نقطة مضيئة على شاشة موقت منطقة الطهي القابل للتحكم. يومض المؤشر "00" على الشاشتين. اضغط فوق الأزرار "C" أو "E" لضبط الوقت من 1 إلى 99.

مهم: بعد مرور 10 ثوانٍ سيظهر على شاشة الموقت إعداد الحرارة الخاص بمناطق الطهي الأخرى. لمشاهدة وقت الطهي المتبقي، اضغط فوق مفتاح موقت منطقة الطهي القابل للتحكم مرتين.

الوظيفة A

تتيح هذه الوظيفة تقليل مستوى قدرة نطاق الطهي أوتوماتيكياً من أعلى قيمة (المستوى 9) إلى القيمة التي يختارها المستخدم لمرحلة لاحقة من الطهي. لتفعيل هذه الوظيفة، اضغط أولاً على زر "+" عند الوصول إلى المستوى 9. تعرض الشاشة "A" و "9" كوميض بالتناوب مع شدة إضاءة منخفضة. في هذه اللحظة، اختر مستوى القدرة المرغوب (أقل من 9) بواسطة الزر "-". يومض الحرف "A" والمستوى المختار بالتناوب على الشاشة مع شدة إضاءة منخفضة.

يتم تفعيل الوظيفة بمجرد وميض الحرف "A" والمستوى المختار بالتناوب على الشاشة مع شدة إضاءة منخفضة. بمجرد أن يصبح الحرف "A" غير مرئي على الشاشة (تتوقف وظيفة "A" أوتوماتيكياً بعد عدة دقائق، وفقاً لمستوى القدرة المضبوط)، تستمر عملية الطهي بقدرة أقل وتعرض الشاشة مستوى القدرة المختار فقط.

ملاحظة: هذه الوظيفة غير متاحة مع المستوى 9.

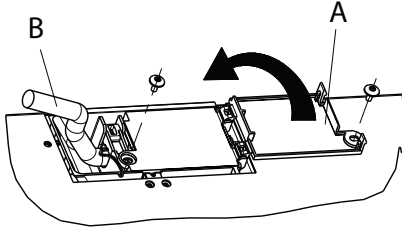
لخلع الموقد، يجب فصله أولاً من مصدر التيار الكهربائي. بوصى بشدة بتحرير الجزء السفلي من الفرن أو الدرج أو الفاصل أو غيره. يسمح للفني بالوصول إلى الجزء السفلي من الموقد لفك المشابك الأربعة بواسطة مفك ورفع الموقد وخلعه وتجنب أي تلف في سطح العمل.

التوصيل الكهربائي

يجب إتمام التوصيلة الكهربائية قبل توصيل الجهاز بمصدر إمداد الكهرباء. لا يتوفر سلك الكهرباء في العبوة - احرص على تحضير سلك الكهرباء الخاص بك. يجب أن يتم التركيب بمعرفة شخص مؤهل ذو اطلاع جيد بتشريعات السلامة والتركيب المعمول بها. بصفة خاصة، يجب أن تتم عملية التركيب طبقاً لتعليمات شركة الإمداد بالكهرباء المحلية. تأكد من أن قيمة الفلطية المدونة على لوحة البيانات الموجودة أسفل الجهاز مساوية لقيمة فلطية تيار الشبكة الكهربائية. تشترط اللوائح أن يتم تأريض الجهاز: اقتصر على استخدام موصلات (بما فيها موصل الأرضي) بالمقاس المناسب.

التوصيل بكتلة أطراف التوصيل

استخدم كابلات F-RR50H أو F-2V2V50H (كما هو موضح بالجدول أدناه) للتوصيل الكهربائي.



جهد الإمداد	موصلات الكمية X الحجم
240-220 فلت ~ +	3 x 4 مم ²
240-230 فلت ~ +	3 x 4 مم ² (أستراليا فقط)
240-220 فلت 3 ~ +	4 x 1,5 مم ²
415-380 فلت 3N ~ +	5 x 1,5 مم ²
425-380 فلت 2N ~ +	4 x 1,5 مم ²

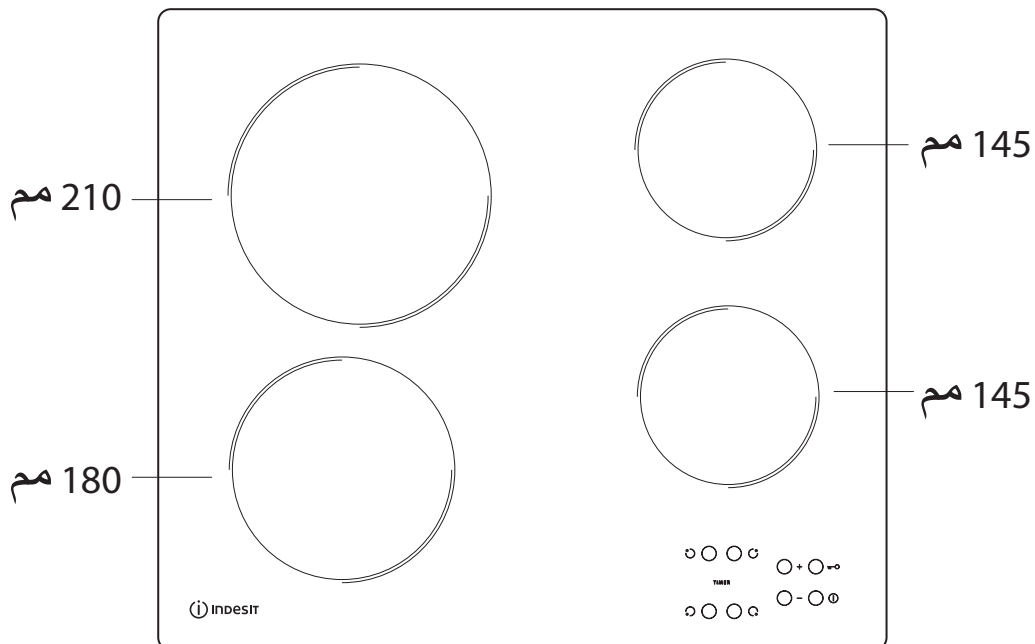
يجب توصيل الجهاز بمصدر الإمداد بالكهرباء عن طريق مفتاح فصل لجميع الأقطاب بفجوة تلامس لا تقل عن 3 مم.

تنبيه: يجب أن يكون كابلات الكهرباء طويلاً بالقدر الكافي للسماح بخلع الموقد المسطح من سطح العمل، كما يجب وضعه بحيث تتجنب تعرضه للتلف أو السخونة المفرطة نتيجة ملامسته للقاعدة.

ملاحظة: يجب توصيل سلك التأريض الأصفر/الأخضر بطرف التوصيل المميز بالرمز (⊕)، كما يجب أن يكون أطول من الأسلاك الأخرى.

- قم بإزالة حوالي 70 مم من غلاف كابلات الإمداد بالتيار الكهربائي (B).
- قم بتفشير حوالي 10 مم من عازل أسلاك الكهرباء. بعد ذلك أدخل كابلات الإمداد بالتيار الكهربائي في مشبك الكابل، وقم بتوصيل الأسلاك بكتلة أطراف التوصيل كما هو مبين في مخطط التوصيل الموجود بجانب كتلة أطراف التوصيل ذاتها.
- قم بتأمين كابلات الإمداد بالتيار الكهربائي (B) باستخدام مشبك الكابل.
- أغلق لوحة أطراف التوصيل باستخدام الغطاء (A) وقم بتأمينها باستخدام البرغي المورد.
- بعد التوصيل الكهربائي، قم بتركيب الموقد من السطح وقم بتعليقه في نواحي التثبيت، كما هو موضح في الشكل.

وصف المنتج



إذا لم يعمل سطح الطبخ بعد فترة من الاستخدام المكثف وكانت درجة حرارة اللوح الداخلية عالية، انتظر بضع دقائق حتى يبرد السطح.
إذا لم يكن السخان مشغلاً بشكل مستمر ولكن يتم تشغيله وإيقافه بشكل دوري حتى لو لم يتغير مستوى القدرة على الشاشة، فهذا جزء من الأداء الوظيفي الطبيعي للموقد. تسمح دورة التشغيل/الإيقاف بتنظيم قدرة السخان وتعد طبيعية تماماً. في بعض الحالات، قد تقوم الحماية الحرارية بإيقاف السخان لبعض الوقت لتجنب تلف الزجاج. من أمثلة هذه الحالات ما يلي: الطهي لفترة طويلة على مستوى قدرة مرتفع، باستخدام أواني أصغر من عنصر التسخين، وليس أواني ذات القواعد المستوية.

إذا كان الموقد ينبعث منه صوت قصير دون أن يضغط العميل على أية أزرار، فيرجى إزالة أية آثار انسكاب سوائل على HMI. يرجى تجفيف HMI ومواصلة استخدام الموقد. إذا تم إيقاف الموقد أوتوماتيكياً، فقد يكون سببه وجود سائل على HMI. يرجى تجفيف HMI وإعادة تشغيل الموقد.

إذا كان العطل لا يزال قائماً بعد القيام بالفحوصات المذكورة أعلاه، فاتصل بأقرب مركز لخدمة ما بعد البيع.

- إذا لم يعمل الموقد بشكل صحيح، فارجع إلى دليل التغلب على الأعطال لتحديد المشكلة، وذلك قبل الاتصال بخدمة ما بعد البيع.
- اقرأ واتباع التعليمات الواردة في جزء "الاستخدام اليومي".
- تأكد من عدم قطع مصدر إمداد الكهرباء.
- قم بتجفيف الموقد بعناية بعد تنظيفه.
- إذا تم اختيار نطاق الطهي/ وظهر الحرف "F" أو كلمة "ER" في وحدة العرض متبوعة برقم، عندئذ يُرجى الاتصال بخدمة ما بعد البيع وإبلاغهم بذلك.
- إذا كان كود الخطأ "F03" أو "ER03" أو "E02"، حاول حله باتباع هذه التعليمات:
- إذا ظهر الخطأ "E02"، فيرجى التأكد من عدم الضغط على الأزرار لأكثر من 5 ثوان، وعدم وجود أية أشياء في نطاق HMI وأنه نظيف وجاف - عند التنظيف، يرجى اتباع فقرة الصيانة والتنظيف.
- إذا ظهر الخطأ "F03"، فحاول إيقاف الموقد وتشغيله مرة أخرى.
- إذا ظهر الخطأ "F04"، فاتصل بخدمة ما بعد البيع وأخبرهم بالكود الذي يتم عرضه.

خدمة ما بعد البيع

الرقم التسلسلي (الرقم بعد كلمة NS على لوحة التصنيف الموجودة أسفل الجهاز). كما تم الإشارة إلى الرقم التسلسلي أيضاً في الوثائق،



Mod. XXX XXX

Ind.C. XXXX XXXX XXXX

Prod.N. 86999XXXXXXX S.N. XXXX XXXX XXXX

- عنوانك بالكامل،
- رقم هاتفك.

عند الحاجة للقيام بأية إصلاحات، يرجى الاتصال بأحد مراكز خدمة ما بعد البيع المعتمدة (لضمان استخدام قطع الغيار الأصلية وتنفيذ الإصلاحات بشكل صحيح).

- للحصول على مزيد من المساعدة والدعم الشامل، يرجى تسجيل منتجك على الموقع www.indesit.com/register

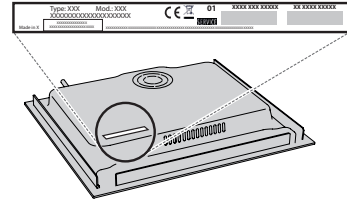
قبل الاتصال بخدمة ما بعد البيع:

1. تحقق مما إذا كان بمقدورك حل المشكلة بنفسك بمساعدة الاقتراحات المقدمة في دليل التغلب على الأعطال.
2. أوقف الجهاز، ثم أعد تشغيله مرة أخرى للتحقق مما إذا كان العطل لا يزال قائماً.

إذا كان العطل لا يزال قائماً بعد القيام بالفحوصات المذكورة أعلاه، فاتصل بأقرب مركز لخدمة ما بعد البيع.

للحصول على المساعدة اتصل بالرقم المبين في كتيب الضمان أو اتبع التعليمات الموجودة على الموقع الإلكتروني www.indesit.com.

- عند الاتصال بخدمة ما بعد البيع، يرجى دوماً تحديد ما يلي:
- وصف مختصر للعطل،
- نوع الجهاز وطرازه بدقة،



مستوى القدرة		نوع الطهي	استخدام المستوى (وفقا لخبرة وعادات الطهي)
أقصى قدرة	9	الغلي	مثالي لزيادة درجة حرارة الطعام بسرعة للغلي السريع في حالة الماء أو التسخين السريع لسوائل الطهي.
	9 - 8	التشويح	مثالي للتحمير وبدء الطهي وتحمير المنتجات المجمدة والغلي السريع.
قدرة عالية	8 - 7	تحمير - استمرار الغلي - شواء	مثالي للتحمير والحفاظ على درجة غليان عالية والطهي والشواء (مدة قصيرة، 5-10 دقائق).
	7 - 6	قلي - طهي - شواء	مثالي للغلي البطيء والحفاظ على درجة غليان منخفضة والطهي والشواء (مدة متوسطة، 10-20 دقيقة)، الإحماء والقلي.
قدرة متوسطة	6 - 5	القلي الخفيف	مثالي لقلي البيض وأطباق الأومليت.
	5 - 4	الطهي - الغلي البطيء - الطهي البطيء	مثالي للطهي المطول (الأرز، الصوصات، لحم الروستو، الأسماك) مع السوائل (على سبيل المثال الماء، الحساء، اللبن)، المعجنات الكريمية.
	4 - 3	تغليظ القوام - المعجنات الكريمية	
قدرة منخفضة	2 - 1	الحفاظ على سخونة الطعام - الريزوتو الكريمة	مثالي للحفاظ على سخونة الطعام المطهي للتو (مثل الصوصات والحساء والشوربة)، الريزوتو الكريمة والحفاظ على سخونة أطباق التقديم.
أقل قدرة	1	إذابة التجمد	مثالي لإذابة المنتجات الصغيرة والصهر برفق للشوكولاتة أو الزبد.
بدون قدرة	0	-	الموقد في طريقة الاستعداد أو الإيقاف (قد تكون هناك حرارة متبقية في نهاية الطهي، يُشار إليها بحرف "H").

تم تجهيز الموقد أيضاً بوظيفة "الإيقاف الأوتوماتيكي" التي تعمل على إيقاف نطاق الطهي إذا لم يتم تعديل مستوى القدرة بعد إطار زمني محدد وفقاً لإعداد القدرة نفسه. في الجدول، تجد المدة الزمنية لكل مستوى قدرة.

مستوى القدرة	وقت الإيقاف التلقائي
0	30 ثانية
1	10 ساعات
2	5 ساعات
3	5 ساعات
4	4 ساعات
5	3 ساعات
6	2 ساعة
7	2 ساعة
8	2 ساعة
9	1 ساعة

الصيانة والتنظيف

- ⚠️ **افصل الجهاز عن مصدر الإمداد بالكهرباء.**
- لا تستخدم أجهزة التنظيف البخار.
- لا تستخدم إسفنجات خشنة أو حشوات تنظيف خادشة لأنها قد تلحق الضرر بالزجاج.
- بعد كل استخدام، قم بتنظيف الموقد (عندما يبرد) لإزالة أية ترسبات أو بقع ناتجة عن بقايا الأطعمة.
- السكر أو الأطعمة التي بها نسبة عالية من السكر تتسبب في إلحاق الضرر بالموقد ويجب إزالتها على الفور.
- الملح والسكر والرمل يمكن أن تخدش السطح الزجاجي.
- استخدم قطعة قماش ناعمة أو ورق مطبخ له قدرة على الامتصاص أو منظف خاص بالموقد (اتباع إرشادات الجهة الصانعة).
- انسكاب السوائل على نطاقات الطهي قد يتسبب في تحريك الإناء أو اهتزازاه.
- قم بتجفيف الموقد بعناية بعد تنظيفه.



400011660828