

EN

Instructions for use

DE

Bedienungsanleitung

FR

Mode d'emploi

NL

Gebruiksaanwijzing

IT

Manuale per l'uso

ES

Manual de Uso

SL

Navodila za uporabo

DA

Brugsanvisninger

FI

Käyttöohje

NO

Brukerveiledning

SE

Bruksanvisning

SK

Návod na použitie

HU

Használati utasítás

HR

Upute za uporabu

CS

Návod k obsluze

ENGLISH	Instructions for use	Page 4
DEUTSCH	Bedienungsanleitung	Seite 15
FRANÇAIS	Mode d'emploi	Page 34
NEDERLANDS	Gebruiksaanwijzing	Pagina 54
ITALIANO	Manuale per l'uso	Pagina 73
ESPAÑOL	Manual de Uso	Página 94
SLOVENŠČINA	Navodila za uporabo	Strani 112
DANSK	Brugsanvisninger	Side 130
SUOMI	Käyttöohje	Sivu 148
NORSK	Brukerveiledning	Side 146
SVENSKA	Bruksanvisning	Sidan 165
SLOVENSKY	Návod na použitie	Strana 182
MAGYAR	Használati utasítás	200 Oldal
HRVATSKI	Upute za uporabu	Stranica 211
ČESKY	Návod k obsluze	Strana 233

SAFETY INSTRUCTIONS

IMPORTANT to be read and observed

Before using the appliance, read these safety instructions. Keep them nearby for future reference.

These instructions and the appliance itself provide important safety warnings, to be observed at all times. The manufacturer declines any liability for failure to observe these safety instructions, for inappropriate use of the appliance or incorrect setting of controls.

⚠ Very young children (0-3 years) should be kept away from the appliance. Young children (3-8 years) should be kept away from the appliance unless continuously supervised. Children from 8 years old and above and persons with reduced physical, sensory or mental capabilities or lack of experience and knowledge can use this appliance only if they are supervised or have been given instructions on safe use and understand the hazards involved.

Children must not play with the appliance. Cleaning and user maintenance must not be carried out by children without supervision.

PERMITTED USE

⚠ CAUTION: The appliance is not intended to be operated by means of an external switching device, such as a timer, or separate remote controlled system.

⚠ This appliance is intended to be used in household and similar applications such as: staff kitchen areas in shops, offices and other working environments; farm houses; by clients in hotels, motels, bed & breakfast and other residential

environments.

⚠ This appliance is not for professional use. Do not use the appliance outdoors.

⚠ The bulb used inside the appliance is specifically designed for domestic appliances and is not suitable for general room lighting within the home (EC Regulation 244/2009).

⚠ The appliance is designed for operation in places where the ambient temperature comes within the following ranges, according to the climatic class given on the rating plate. The appliance may not work properly if it is left for a long time at a temperature outside the specified range.

Climatic Class Amb. T. (°C)

SN: From 10 to 32 °C

ST: From 16 to 38 °C;

N: From 16 to 32 °C

T: From 16 to 43 °C



This appliance does not contain CFCs. The refrigerant circuit contains R600a (HC). Appliances with Isobutane (R600a): isobutane is a natural gas without environmental impact, but is flammable. Therefore, make sure the refrigerant circuit pipes are not damaged, especially when emptying the refrigerant circuit.

⚠ WARNING: Do not damage the appliance refrigerant circuit pipes.

⚠ WARNING: Keep ventilation openings, in the appliance enclosure or in the built-in structure, clear of obstruction.

⚠️ **WARNING:** Do not use mechanical, electric or chemical means other than those recommended by the Manufacturer to speed up the defrost process.

⚠️ **WARNING:** Do not use or place electrical devices inside the appliance compartments if they are not of the type expressly authorised by the Manufacturer.

⚠️ **WARNING:** Ice makers and/or water dispensers not directly connected to the water supply must be filled with potable water only.

⚠️ Do not store explosive substances such as aerosol cans and do not place or use gasoline or other flammable materials in or near the appliance.

⚠️ Do not swallow the contents (non-toxic) of the ice packs (provided with some models). Do not eat ice cubes or ice lollies immediately after taking them out of the freezer since they may cause cold burns.

⚠️ For products designed to use an air filter inside an accessible fan cover, the filter must always be in position when the refrigerator is in function.

⚠️ Do not store glass containers with liquids in the freezer compartment since they may break.

Do not obstruct the fan (if included) with food items.

After placing the food check that the door of the compartments closes properly, especially the freezer door.

⚠️ Damaged gaskets must be replaced as soon as possible.

⚠️ Use the refrigerator compartment only for storing fresh food and the freezer compartment only for storing

frozen food, freezing fresh food and making ice cubes.

⚠️ Avoid storing unwrapped food in direct contact with internal surfaces of the refrigerator or freezer compartments.

Appliances could have special compartments (Fresh Food Compartment, Zero Degree Box,...). Unless differently specified in the specific booklet of product, they can be removed, maintaining equivalent performances.



C-Pentane is used as blowing agent in the insulation foam and it is a flammable gas.

INSTALLATION

⚠️ The appliance must be handled and installed by two or more persons - risk of injury. Use protective gloves to unpack and install - risk of cuts.

⚠️ Installation, including water supply (if any), electrical connections and repairs must be carried out by a qualified technician. Do not repair or replace any part of the appliance unless specifically stated in the user manual. Keep children away from the installation site. After unpacking the appliance, make sure that it has not been damaged during transport. In the event of problems, contact the dealer or your nearest Aftersales Service. Once installed, packaging waste (plastic, styrofoam parts etc.) must be stored out of reach of children - risk of suffocation. The appliance must be disconnected from the power supply before any installation operation - risk of electric shock. During installation, make sure the appliance does not damage the power cable - risk of fire or electric shock. Only activate the appliance

when the installation has been completed.

⚠ Be careful not to damage the floors (e.g. parquet) when moving the appliance. Install the appliance on a floor or support strong enough to take its weight and in a place suitable for its size and use. Make sure the appliance is not near a heat source and that the four feet are stable and resting on the floor, adjusting them as required, and check that the appliance is perfectly level using a spirit level. Wait at least two hours before switching the appliance on, to ensure that the refrigerant circuit is fully efficient.

All dimensions and spacing needed for installation of the appliance are in the Installation Instruction booklet.

⚠ **WARNING:** When positioning the appliance, ensure the supply cord is not trapped or damaged.

⚠ **WARNING:** To avoid a hazard due to instability, positioning or fixing of the appliance must be done in accordance with the manufacturer instructions.

It's forbidden to place the refrigerator in such way that the metal hose of gas stove, metal gas or water pipes, or electrical wires are in contact with the refrigerator back wall (condenser coil).

ELECTRICAL WARNINGS

⚠ It must be possible to disconnect the appliance from the power supply by unplugging it if plug is accessible, or by a multi-pole switch installed upstream of the socket in accordance with the wiring rules and the appliance must be earthed

in conformity with national electrical safety standards.

⚠ Do not use extension leads, multiple sockets or adapters. The electrical components must not be accessible to the user after installation. Do not use the appliance when you are wet or barefoot. Do not operate this appliance if it has a damaged power cable or plug, if it is not working properly, or if it has been damaged or dropped.

⚠ If the supply cord is damaged, it must be replaced with an identical one by the manufacturer, its service agent or similarly qualified persons in order to avoid a hazard - risk of electric shock.


⚠ **WARNING:** Do not locate multiple portable socket-outlets or portable power supplies at the rear of the appliance.

CLEANING AND MAINTENANCE

⚠ **WARNING:** Ensure that the appliance is switched off and disconnected from the power supply before performing any maintenance operation; never use steam cleaning equipment - risk of electric shock.

⚠ Do not use abrasive or harsh cleaners such as window sprays, scouring cleansers, flammable fluids, cleaning waxes, concentrated detergents, bleaches or cleansers containing petroleum products on plastic parts, interior and door liners or gaskets. Do not use paper towels, scouring pads, or other harsh cleaning tools.

DISPOSAL OF PACKAGING MATERIALS

The packaging material is 100% recyclable and is marked with the recycle symbol .


The various parts of the packaging must therefore be disposed of responsibly and in full compliance with local authority regulations governing waste disposal.

DISPOSAL OF HOUSEHOLD APPLIANCES

This appliance is manufactured with recyclable or reusable materials. Dispose of it in accordance with local waste disposal regulations.

For further information on the treatment, recovery and recycling of household electrical appliances, contact your local authority, the collection service for household waste or the store where you purchased the appliance. This appliance is marked in compliance with European Directive 2012/19/EU, Waste Electrical and Electronic Equipment (WEEE).

By ensuring this product is disposed of correctly, you will help prevent negative consequences for the environment and human health.

The symbol  on the product or on the accompanying documentation indicates that it should not be treated as domestic waste but must be taken to an appropriate collection centre for the recycling of electrical and electronic equipment.

ENERGY SAVING TIPS

To guarantee adequate ventilation follow installation instructions.

Insufficient ventilation at the back of the product increases energy consumption and decreases cooling efficiency.

Frequent door opening might cause an increase in Energy Consumption.

The internal temperature of the appliance and the Energy Consumption may be affected also by the ambient temperature, as well as location of the appliance.

Temperature setting should take into consideration these factors. Reduce door opening to a minimum.

When thawing frozen food, place it in the refrigerator. The low temperature of the frozen products cools the food in the refrigerator.

Allow warm food and drinks to cool down before placing in the appliance.

Positioning of the shelves in the refrigerator has no impact on the efficient usage of energy. Food should be placed on the shelves in such way to ensure proper air circulation (food should not touch each other and distance between food and rear wall should be kept).

You can increase storage capacity of frozen food by removing baskets and, if present, Stop Frost shelf.

Do not worry about noises coming from the compressor which are normal operation noises.

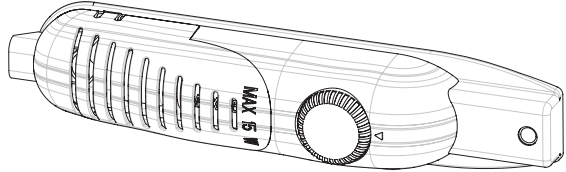


The Gulf Conformity Marking on the product indicates the conformity with all the requirements of the Gulf Technical Regulation for Low Voltage Electrical Equipment and Appliances BD-142004-01.

HOW TO OPERATE THE APPLIANCE

Thermostat setting

- The thermostat automatically regulates the inside temperature of the refrigerator compartment and freezer compartment. By rotating the knob from position 1. to 5., colder temperatures can be obtained.
- The “.” position shows thermostat is closed and no cooling will take place.
- For short-term storage of food in the freezer compartment, you can set the knob between minimum and medium positions (1-3).
- For long-term storage of food in the freezer compartment, you can set knob to the medium position (3-4).

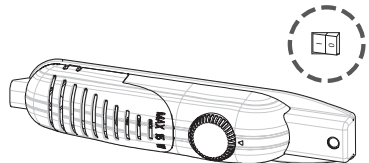


Note that: The ambient temperature, temperature of the freshly stored food and how often the door is opened, affects the temperature in the refrigerator compartment. If required, change the temperature setting.

- When you first switch on the appliance, leave the appliance running continuously for 24 hours in order to reach operating temperature.
- During this time, try to limit the number of times that the door is opened and do not store a large quantity of food in the appliance.
- If the unit is switched off or unplugged, you must allow at least 5 minutes before restarting or plugging the unit in. This avoids damage to the compressor.
- The freezer of the refrigerator can cool up to -18°C .
- This appliance is designed for use at an ambient temperature within the 16°C - 32°C range.

Super switch (If super switch is available)

- Normally set this switch to ‘0’ position. Except when the ambient temperature is low like in winter. (ie. below 16°C) or when the freezer temperature needs to be maintained lower. In that case, turn the switch to ‘1’ position ON.
- To set super switch ON that is on the thermostat box, press the switch down to ‘1’ position. The switch will lit.
- When the freezer compartment is cooled down to sufficient temperature, or the weather gets hot, turn the super switch off to save electrical consumption.
- When you first switch on the appliance, for starting a suitable cooling, the appliance should work 24 hours continuously until it cools down to sufficient temperature.
- In this time do not open the door so often and place a lot of food inside the appliance.



If the unit is switched off or unplugged, you must allow at least 5 minutes before restarting or re-plugged the unit in order not to damage the compressor.

Super freezing: If ambient temperature is more than 16°C , this switch must be used as superfreeze switch. For maximum freezing capacity, the switch must be turned on 24h before the placing fresh foods. After placing fresh food in the freezer, 24 hours ON position is generally sufficient. In order to save energy, please turn off this switch after 24 hours from placing fresh food.

Warnings for Temperature Settings

- The ambient temperature, temperature of the freshly stored food and how often the door is opened, affects the temperature in the refrigerator compartment. If required, change the temperature setting.
- It is not recommended that you operate your fridge in environments colder than 10°C in terms of its efficiency.
- The thermostat setting should be done by taking into consideration how often the fresh food and freezer doors are opened and closed, how much food is stored in the refrigerator, and the environment in which the refrigerator is located.
- Your fridge should be operated up to 24 hours according to the ambient temperature without interruption after being plugged in to be completely cooled. Do not open doors of your fridge frequently and do not place much food inside it in this period.
- A 5 minute delaying function is applied to prevent damage to the compressor of your fridge, when you take the plug off and then plug it on again to operate it or when an energy breakdown occurs. Your fridge will start to operate normally after 5 minutes.
- Your fridge is designed to operate in the ambient temperature intervals stated in the standards, according to the climate class stated in the information label. It is not recommended that your fridge is operated in the environments which are out of the stated temperature intervals in terms of cooling efficiency.
- This appliance is designed for use at an ambient temperature within the 16°C - 32°C range.

Accessories

“Door Open” Indicator;

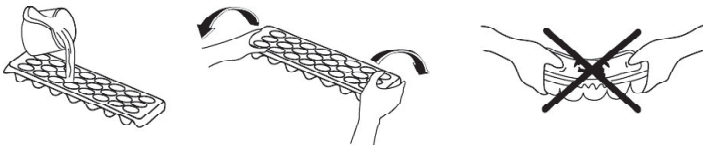
- The « Door Open » indicator on the handle shows whether the door has closed properly or whether it is still open.
- If the indicator is red, the door is still open.
- If the indicator is white, the door is properly closed.
- Observe that the freezer’s door should always be kept closed. This will prevent food products from defrosting; it will avoid heavy ice and frost build-up inside the freezer and an unnecessary increase in energy consumption.



Making Ice cubes;

Ice tray ;

- Fill the ice tray with water and place in the freezer compartment.
- After the water has completely turned into ice, you can twist the tray as shown below to remove the ice cubes.



FOOD STORAGE IN THE APPLIANCE

Refrigerator Compartment

The refrigerator compartment is used for storing fresh food for few days.

- Do not place food in directly in contact with the rear wall of the refrigerator compartment. Leave some space around the food to allow air to circulate.
- Do not place hot food or evaporating liquid in the refrigerator.
- Always make sure food is wrapped or stored in closed containers before placing in the refrigerator.
- To reduce humidity and avoid formation of frost, never place liquids in unsealed containers in the refrigerator.
- We recommend that you loosely wrap meat and store it on the glass shelf just above the vegetable bin, where the air is cooler.
- Store fruit and vegetable items loose in the crisper containers.
- To prevent the cold air from escaping, try not to open the door too often and do not leave it open for a long time.

Freezer Compartment

The freezer compartment is used for freezing fresh food and for storing frozen food for the period of time indicated on packaging and for making ice cubes.

- When freezing fresh food, wrap and seal the food properly; that is the packaging should be air tight and shouldn't leak. Special freezer bags, aluminum foil (heavy grade, if in doubt double wrap), polythene bags and plastic containers are ideal.
- Do not allow the fresh food to come into contact with the already frozen food.
- Always mark the date and the content on the pack and do not exceed the stated storage time.
- In case of a power failure or malfunction, the freezer compartment will maintain a sufficiently low temperature for food storage. However, avoid opening the freezer door to slow down the temperature rise within the freezer compartment.
- The maximum amount of fresh food that can be stored in the freezer within 24 hours is indicated on the name plate (see Freezing Capacity).
- Never place warm food in the freezer compartment.
- When purchasing and storing frozen food products, ensure that the packaging is not damaged.
- The storage time and the recommended temperature for storing frozen food is indicated on the packaging. For storing and using, follow the manufacturer's instructions. If no information is provided, food should not be stored for more than 3 months.
- Place frozen food in the freezer compartment as soon as possible after buying it.
- Once the food has thawed, it must not be refrozen. You must cook it as quickly as possible. In order to consume or to freeze once again.

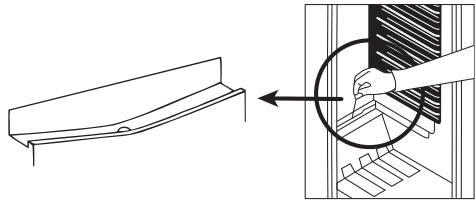
CLEANING AND MAINTENANCE

- Disconnect the unit from the power supply before cleaning.
- Do not wash your Fridge Freezer by pouring water on it.
- Make sure that no water enters the lamp housing and other electrical components.
- The refrigerator should be cleaned periodically using a solution of bicarbonate of soda and lukewarm water.
- Clean the accessories separately with soap and water Do not clean them in the dishwasher.
- Do not use abrasive products, detergents or soaps. After washing, rinse with clean water and dry carefully. When you have finished cleaning, reconnect the plug to the mains supply with dry hands.
- Clean the condenser with a broom at least twice a year. This will help you to save on energy costs and increase productivity.

THE POWER SUPPLY MUST BE DISCONNECTED.

Defrosting the Refrigerator Compartment:

- Defrosting occurs automatically in refrigerator compartment during operation; the defrost water is collected by the evaporating tray and evaporates automatically.
- The evaporating tray and the defrost water drain hole should be cleaned periodically with defrost drain plug to prevent the water from collecting on the bottom of the refrigerator instead of flowing out.
- You can also pour ½ glass of the water to drain hole to clean inside.



Defrosting the Freezer Compartment:

WARNING: Never use sharp metal tools, unless recommended by manufacturer, for this operation as they can damage the refrigeration circuit.

After a period of time, frost will build up in certain areas in the freezer compartment. The frost, accumulated in the freezer compartment, should be removed periodically (use the plastic scraper if available).

Complete defrosting will become necessary if the frost layer exceeds 3-5 mm to maintain the efficiency of the freezer.

- The day before you defrost, set the thermostat dial to position “5” to freeze the foods completely.
- During defrosting, frozen foods should be wrapped in several layers of paper and kept in a cool place. The inevitable rise in temperature will shorten their storage life. Remember to use these foods within a relatively short period of time.
- Set the thermostat knob to position “•” and switch off the appliance.
- Leave the door open to accelerate defrosting. Remove the defrost water from the compartment.
- Clean the interior by hand with lukewarm water and a little detergent.

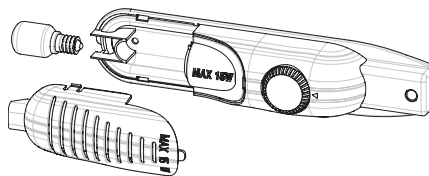
Never use abrasive products or aggressive cleaning agents.

- Dry the inside of the unit, plug on the mains, and set the thermostat knob to position “5”. After 24 hours, reset the thermostat to the desired position.

Replacing the light bulb

When replacing the bulb of the fridge;

1. Unplug the unit from the power supply,
2. Press the hooks on the sides of the light cover top and remove the light cover
3. Change the present light bulb with a new one of not more than 15 W.
4. Replace the light cover and after waiting 5 minutes plug the unit.



Replacing LED Lighting

If your fridge has LED lighting contact the help desk as this should be changed by authorized personnel only.

TRANSPORTATION AND CHANGING OF INSTALLATION POSITION

Transportation and Changing of Installation Position

- The original packages and foamed polystyrene (PS) can be retained if required.
- During transportation, the appliance should be secured with a wide string or a strong rope. The instructions written on the corrugated box must be followed while transporting.
- Before transporting or changing the installation position, all the moving objects (ie,shelves,crisper...) should be taken out or fixed with bands in order to prevent them from getting damaged.

BEFORE CALLING YOUR AFTER SALES SERVICE

If your refrigerator is not working properly, it may be a minor problem, therefore check the following.

The appliance does not operate,

Check if:

- There is a power failure,
- The mains plug is not plugged in properly, or is loose
- The thermostat setting is on position “*”,
- The socket is defective. To check this, plug in another appliance that you know is working into the same socket.

The appliance performs poorly,

Check if:

- You have overloaded the appliance,
- The doors are not closed properly,
- There are not enough ventilation ducts on the kitchen unit as mentioned in the Installation Manual.

If there is noise:

The cooling gas which circulates in the refrigerator circuit may make a slight noise (bubbling sound) even when the compressor is not running. Do not worry, this is quite normal. If you hear a different sound,

check if:

- The appliance is installed firmly as described in the Installation Manual.
- The objects on the appliance are vibrating.

If there is water in the lower part of the refrigerator,

Check if:

- The drain hole for the water is not clogged (use the defrost drain plug to clean the drain hole).
- If your fridge is not cooling sufficiently:
- Your fridge is designed to operate in the ambient temperature intervals stated in the standards, according to the climate class stated on the information label. We do not recommend operating your fridge out of stated temperatures value limits. This will reduce the cooling efficiency of the fridge.

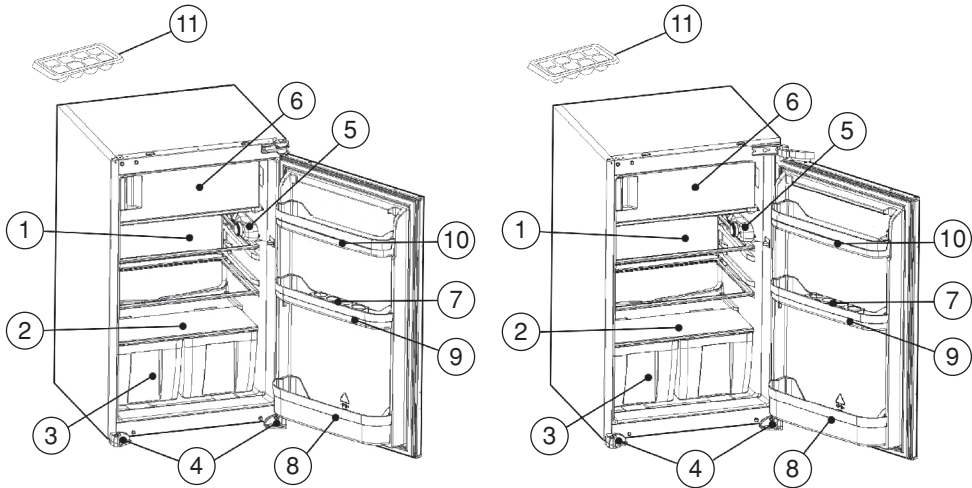
Recommendations

- Unplug the refrigerator during a power cut in order to prevent any damage to the compressor. Wait 5-10 minutes before plugging the appliance in once power returns.
- If you unplug your refrigerator for any reason, wait at least 5 minutes before plugging it in. This will avoid damage to the refrigerator's components.
- The cooling unit of your refrigerator is hidden at the rear of the appliance. Therefore, water droplets or icing may occur on the rear surface of your fridge due to the operation of the compressor at specified intervals. This is normal, there is no need to perform a defrosting operation unless the icing is excessive.
- If you do not intend to use your fridge for a long period of time (e.g. in summer holidays), put the thermostat to “.” position. After defrosting, clean your fridge and leave the door open to prevent humidity and smells.
- If a problem persists after you have followed all the instructions above, please consult the nearest Authorised Service Centre.
- The appliance you have purchased is designed for domestic use and can only be used for the stated purposes. It is not suitable for commercial use. If the consumer uses the appliance in a way that does not comply with this, we emphasise that the manufacturer and dealer will not be responsible for any repair or failure within the guarantee period.

Tips for saving energy

1. Install the appliance in a cool, well ventilated room , but not in direct sunlight and not near a heat source (radiator, cooker.. etc). Otherwise use an insulating plate.
2. Allow warm food and drinks to cool down outside the appliance.
3. When thawing frozen food, place it in the refrigerator compartment. The low temperature of the frozen food will help to cool the refrigerator compartment when it is thawing. This will help to save energy. If the frozen food is put out, it results in a waste of energy.
4. Cover drinks or other liquids when placing them in the appliance. Otherwise humidity increases in the appliance. Therefore, the working time gets longer. Also covering drinks and other liquids helps to preserve smell and taste.
5. Try to avoid keeping the doors open for long periods or opening the doors too frequently as warm air will enter the cabinet and cause the compressor to switch on unnecessarily often.
6. Keep the covers of the different temperature compartments (crisper, chiller ...etc) closed
7. Door gasket must be clean and pliable. Replace gaskets if worn.

THE PARTS OF THE APPLIANCE AND THE COMPARTMENTS



This presentation is only for information about the parts of the appliance.
Parts may vary according to the appliance model.

- | | |
|---------------------------------|------------------|
| 1. REFRIGERATOR SHELF | 7. EGG SHELF |
| 2. CRISPER COVER (SAFETY GLASS) | 8. BOTTLE SHELF |
| 3. CRISPER | 9. MIDDLE SHELF |
| 4. LEFT & RIGHT FEET | 10. BUTTER SHELF |
| 5. THERMOSTAT BOX | 11. ICE TRAY |
| 6. FREEZER COMPARTMENT | |

1 SICHERHEITSHINWEISE

1.1 Allgemeine Sicherheitshinweise

Bitte lesen Sie diese Gebrauchsanweisung sorgfältig durch.

⚠️ WARNUNG: Die Belüftungsöffnungen am Gerätegehäuse bzw. am Einbaugehäuse stets freihalten.

⚠️ WARNUNG: Den Abtauvorgang nicht mit mechanischen oder anderen Mitteln beschleunigen, die nicht vom Hersteller empfohlen wurden.

⚠️ WARNUNG: Keine elektrischen Geräte in den Lebensmittelfächern des Geräts verwenden, die nicht den Empfehlungen des Herstellers entsprechen.

⚠️ WARNUNG: Den Kühlmittelkreislauf nicht beschädigen.

⚠️ WARNUNG: Vergewissern Sie sich beim Aufstellen des Gerätes, dass das Netzkabel nicht eingeklemmt oder beschädigt wird.

⚠️ WARNUNG: Schließen Sie nicht mehrere tragbare Steckdosen oder Stromversorgungen hinten am Gerät an.

⚠️ WARNUNG: Um Gefahren durch mögliche Instabilität des Geräts zu vermeiden, ist es entsprechend Anweisungen zu fixieren.

⚠️ Bei Geräten mit dem Kühlmittel R600a (siehe Typenschild des Kühlgeräts) ist beim Transport und beim Aufstellen darauf zu achten, dass die

Kühlelemente nicht beschädigt werden. R600a ist ein umweltfreundliches, natürliches, jedoch explosives Gas. Wenn die Kühlelemente aufgrund von Beschädigungen undicht werden, das Gerät von offenem Feuer und Wärmequellen fernhalten und den Aufstellraum mehrere Minuten gut lüften.

- Beim Tragen und Aufstellen des Geräts den Kühlmittelkreislauf nicht beschädigen.
- Keine explosiven Gegenstände wie Spraydosen mit Treibgas im Gerät lagern.
- Das Gerät ist auf die Nutzung im Haushalt und in ähnlichen Umgebungen ausgelegt, z. B.:
 - Im Bereich von Personalküchen in Läden, Büros und anderen Arbeitsumgebungen.
 - In landwirtschaftlichen Betrieben, für Gäste in Hotels, Motels und anderen Wohnumgebungen.
 - In Pensionen und vergleichbaren Umgebungen.
 - Im Catering und ähnlichen Anwendungen außerhalb des Bereichs Handel.
- Wenn der Kühlschranksstecker nicht für die Steckdose geeignet ist, muss er vom Hersteller, von einem Servicebeauftragten oder einer vergleichbar qualifizierten Person ausgetauscht werden, um Gefährdungen zu vermeiden.
- Das Netzanschlusskabel des Kühlschranks ist mit einem speziell geerdeten Stecker ausgestattet. Der Stecker ist an eine entsprechend geerdete Steckdose mit 16 Ampère anzuschließen. Wenn

keine solche Steckdose vorhanden ist, muss eine geeignete Steckdose von einem Elektrofachbetrieb installiert werden.

- Das Gerät kann von Kindern ab 8 Jahren und von Menschen mit körperlichen, sensorischen oder mentalen Einschränkungen oder ohne Erfahrung und besondere Kenntnisse verwendet werden, sofern sie unter Aufsicht sind oder in die sichere Nutzung des Geräts eingewiesen wurden und die damit verbundenen Gefahren kennen. Das Gerät darf nicht als Kinderspielgerät verwendet werden. Kinder dürfen das Gerät nicht ohne Aufsicht reinigen oder warten.
- Kinder im Alter von 3 bis 8 Jahren dürfen Gegenstände in Kühlschränken einlagern und herausnehmen. Kinder dürfen keine Reinigung oder einfache Wartung des Gerätes durchführen. Sehr junge Kinder (0 bis 3 Jahre) dürfen das Gerät nicht verwenden. Junge Kinder (3 bis 8 Jahre) dürfen das Gerät zur Gewährleistung einer sicheren Nutzung nur bei kontinuierlicher Beaufsichtigung verwenden. Ältere Kinder (8 bis 14 Jahre) und gefährdete Personen können das Gerät sicher verwenden, sofern sie angemessen beaufsichtigt und in der Benutzung des Gerätes unterwiesen wurden. Stark gefährdeten Personen dürfen das Gerät zur Gewährleistung der Sicherheit nur bei kontinuierlicher Beaufsichtigung verwenden.

- Wenn das Netzkabel beschädigt ist, muss es vom Hersteller, einem Servicebeauftragten oder einer vergleichbar qualifizierten Person ausgetauscht werden, um Gefährdungen zu vermeiden.
- Das Gerät ist nicht für die Nutzung in Höhen über 2000 m ausgelegt.

Bitte beachten Sie zur Vermeidung einer Lebensmittelkontamination die folgenden Hinweise:

- Durch längeres Öffnen der Tür kann die Temperatur in den Fächern des Gerätes deutlich ansteigen.
- Reinigen Sie Flächen, die mit Lebensmitteln in Kontakt kommen, sowie erreichbare Ablaufsysteme regelmäßig.
- Bewahren Sie rohes Fleisch und Fisch in geeigneten Behältern im Kühlschrank auf, damit sie nicht mit anderen Lebensmitteln in Berührung kommen.
- Zwei-Sterne-Gefrierfächer eignen sich zur Aufbewahrung von Tiefkühlkost, zur Aufbewahrung und Herstellung von Eiscreme und zur Herstellung von Eiswürfeln.
- Ein-, Zwei- und Drei-Sterne-Gefrierfächer eignen sich nicht zum Einfrieren frischer Lebensmittel.
- Falls das Kühlgerät lange Zeit nicht verwendet wird, sollten Sie es abschalten, abtauen, reinigen, abtrocknen und die Tür offen lassen, damit sich kein Schimmel im Gerät bildet.

1.2 Hinweise zum Aufstellen und Anschließen

Beachten Sie bitte die folgenden Punkte, bevor Sie die Kühl-Gefrierkombination zum ersten Mal verwenden:

- Die Betriebsspannung für die Kühl-Gefrierkombination beträgt 220-240 V bei 50 Hz.
- Der Stecker muss nach dem Aufstellen und Anschließen zugänglich sein.
- Bei der ersten Inbetriebnahme kann die Kühl-Gefrierkombination ausdünsten. Das ist völlig normal und der Geruch lässt nach, sobald die Kühlung der Kühl-Gefrierkombination beginnt.
- Stellen Sie vor dem Anschließen der Kühl-Gefrierkombination sicher, dass die Werte der Netzstromversorgung mit den Daten auf dem Typenschild (Spannung und Anschlussleistung) übereinstimmen. Wenden Sie sich im Zweifelsfall an einen Elektriker.
- Stecken Sie den Stecker in eine Steckdose mit entsprechendem Erdungsanschluss. Wenn die Steckdose über keine Erdung verfügt oder der Stecker nicht passt, wenden Sie sich unbedingt an einen Elektriker.
- Das Gerät muss an eine ordnungsgemäß installierte Steckdose mit Sicherung angeschlossen werden. Die Stromversorgung (AC) und Spannung am Betriebsstandort müssen mit den Angaben auf dem Typenschild des Geräts übereinstimmen (das Typenschild befindet sich auf der Innenseite links im Gerät).
- Für Schäden, die auf fehlende Erdung zurückzuführen sind, wird keine Haftung übernommen.
- Die Kühl-Gefrierkombination keinem direkten Sonnenlicht aussetzen.
- Die Kühl-Gefrierkombination darf unter keinen Umständen im Freien betrieben oder Regen ausgesetzt werden.
- Der Abstand des Geräts zu Öfen, Gasherden und Feuerstellen muss mindestens 50 cm, zu Elektroöfen mindestens 5 cm betragen.

- Wenn die Kühl-Gefrierkombination neben einem Tiefkühlgerät steht, muss zwischen den beiden Geräten ein Abstand von mindestens 2 cm eingehalten werden, damit sich an der Außenseite keine Feuchtigkeit bildet.
- Die Kühl-Gefrierkombination nicht abdecken, da dadurch die Leistung des Geräts beeinträchtigt würde.
- Zur Oberseite des Geräts ist ein Abstand von mindestens 150 mm erforderlich. Keine Gegenstände auf dem Gerät abstellen.
- Keine schweren Gegenstände auf dem Gerät abstellen.
- Vor der Verwendung das Gerät sorgfältig reinigen (siehe „Reinigung und Wartung“).
- Vor der Verwendung der Kühl-Gefrierkombination alle Teile mit einer Lösung aus warmem Wasser und einem Teelöffel Natron abwischen. Anschließend mit klarem Wasser abspülen und trocknen. Nach dem Reinigen alle Teile wieder in die Kühl-Gefrierkombination einsetzen.
- Der Einbau in eine Küchenzeile wird in der Montageanleitung beschrieben. Das Gerät ist ausschließlich für den Einbau in Küchenzeilen vorgesehen.

1.3 Im Betrieb

- Die Kühl-Gefrierkombination nicht über ein Verlängerungskabel an das Stromnetz anschließen.
- Keine beschädigten, aufgerissenen oder alten Stecker verwenden.
- Das Kabel nicht ziehen, knicken oder anderweitig beschädigen.
- Verwenden Sie keine Steckeradapter.
- Das Gerät ist für die Nutzung durch Erwachsene ausgelegt. Es ist kein Spielzeug. Kinder nicht an die Tür hängen lassen.
- Das Netzkabel bzw. den Stecker nie mit nassen Händen anfassen. Dadurch kann ein Kurzschluss oder ein Stromschlag verursacht werden.

- Keine Glasflaschen oder Dosen im Eisfach lagern; sie können platzen, wenn der Inhalt gefriert.
- Keine explosiven oder brennbaren Stoffe im Kühlschrank lagern. Getränke mit hohem Alkoholgehalt stehend im Kühlschrank lagern und darauf achten, dass der Deckel fest verschlossen ist.
- Eis beim Herausnehmen aus dem Eisfach nicht berühren. Eis kann Kälteverbrennungen und Schnitte verursachen.
- Gefriergut nicht mit nassen Händen anfassen. Speiseeis oder Eiswürfel nicht sofort nach dem Herausnehmen aus dem Eisfach essen.
- Aufgetaute Lebensmittel nicht wieder einfrieren. Das kann zu gesundheitlichen Problemen bis hin zu Lebensmittelvergiftungen führen.

Alte und nicht mehr funktionstüchtige Kühlschränke

- Wenn der alte Kühl- oder Gefrierschrank mit einem Schloss versehen ist, dieses vor dem Entsorgen des Geräts zerstören oder entfernen, da ansonsten die Gefahr besteht, dass sich Kinder versehentlich einschließen.
- Dämmmaterial und Kühlmittel alter Kühl- und Gefrierschränke enthalten FCKW. Beim Entsorgen deshalb sorgfältig vorgehen, um Umweltschäden zu vermeiden.

CE-Konformitätserklärung

Wir bestätigen, dass unsere Produkte die Anforderungen der anzuwendenden Europäischen Verordnungen, Richtlinien und Entscheidungen sowie der aufgeführten Normen erfüllen.

Entsorgung von Altgeräten

Das Symbol auf dem Gerät bzw. auf der Verpackung weist darauf hin, dass es nicht als Hausmüll behandelt werden darf. Das Gerät muss bei der entsprechenden Sammelstelle abgegeben werden, sodass elektrische und elektronische Teile der Weiterverwertung



zugeführt werden können. Durch die ordnungsgemäße Entsorgung von Altgeräten leisten Sie einen wertvollen Beitrag zum Schutz von Umwelt und Gesundheit. Ausführliche Informationen zum Entsorgen des Geräts erhalten Sie beim zuständigen Abfallwirtschaftsamt, beim Abfallentsorgungsunternehmen oder beim Händler, bei dem Sie das Gerät gekauft haben.

Verpackung und Umwelt

Verpackungsmaterialien schützen Ihr Gerät vor Schäden, die während des Transports auftreten können.

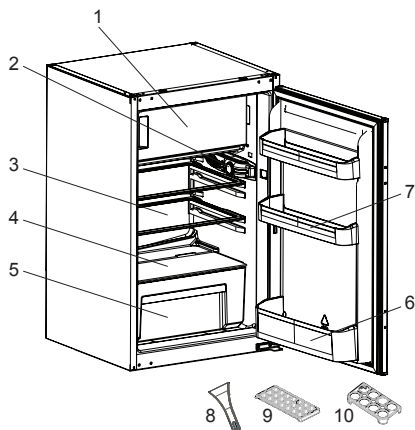
Die Verpackungsmaterialien sind umweltfreundlich, da sie recycelt werden können. Der Einsatz recycelter Materialien reduziert den Verbrauch von Rohstoffen und verringert somit die Abfallproduktion.




Hinweise:

- Lesen Sie die Gebrauchsanleitung sorgfältig durch, bevor Sie das Gerät aufstellen und verwenden. Es wird keine Haftung für Schäden infolge von falscher Handhabung übernommen.
- Befolgen Sie die Anweisungen in der Gebrauchsanleitung des Geräts und bewahren Sie die Anleitung an einem sicheren Ort auf, damit Sie bei evtl. auftretenden Problemen jederzeit Zugriff darauf haben.
- Das Gerät ist zur Nutzung im Haus ausgelegt und ausschließlich zur Lagerung bzw. Kühlung von Lebensmitteln vorgesehen. Es ist nicht für die gewerbliche oder öffentliche Nutzung konzipiert und nicht für die Lagerung anderer Stoffe als Lebensmittel vorgesehen. Bei Nichteinhaltung wird keine Haftung für eventuell daraus entstehende Verluste übernommen.

2 GERÄTEBESCHREIBUNG



 Die Abbildung stellt eine Übersicht über die Zubehörteile des Geräts dar. Die Zubehörteile sind je nach Modell unterschiedlich.

- 1) Gefrierteiltür
- 2) Thermostat
- 3) Kühlfachablage
- 4) Gemüsefachabdeckplatte
- 5) Gemüsefach
- 6) Flaschenablage
- 7) Türfächer
- 8) Eisschaber *
- 9) Eiswürfelschale
- 10) Eierhalter

** bei bestimmten Modellen*

Allgemeine Hinweise:

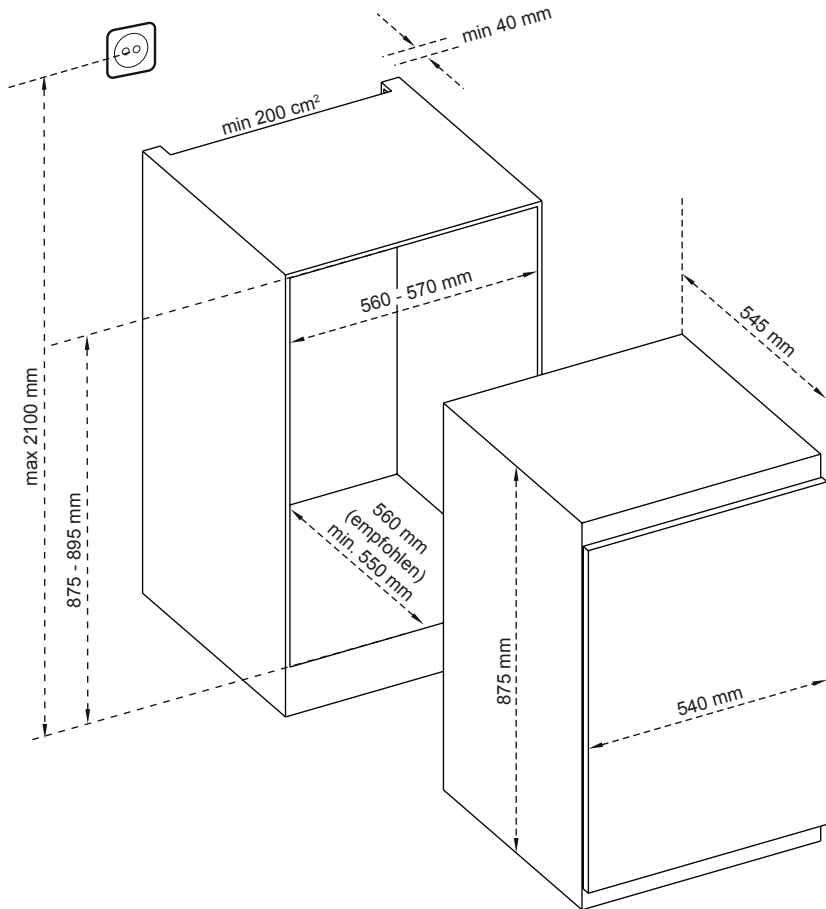
Fach für frische Lebensmittel

(Kühlschrank): Die effektivste Energienutzung wird durch die Schubladenanordnung in der unteren Hälfte des Geräts gewährleistet sowie durch die gleichmäßige Verteilung der Regale. Die Anordnung der Türkästen wirkt sich nicht auf den Energieverbrauch aus.

Tiefkühlfach (Gefrierschrank): Die effektivste Energienutzung wird durch die lagermäßige Einteilung der Schubladen- und Kastenordnung erreicht.

2.1 Abmessungen

* 875 - 883 für Metallabdeckung



3 VERWENDEN DES GERÄTS

Anzeige „Tür offen“

Die Anzeige „Tür offen“ am Türgriff gibt an, ob die Tür richtig geschlossen wurde oder noch offen steht.

Rot bedeutet, die Tür ist noch offen.

Weiß bedeutet, die Tür ist richtig geschlossen.

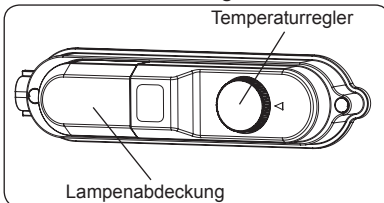


Die Tür des Gefriergeräts ist stets geschlossen zu halten. Anderenfalls kann das Gefriergut auftauen. Zudem kann sich im Gefrierteil Reif und Eis bilden, was zu unnötig hohem Energieverbrauch führt.

3.1 Thermostateinstellung

Der Thermostat reguliert die Temperatur im Innern des Kühl- und Gefrierteils automatisch. Durch Drehen des Reglers auf höhere Zahlen (1 bis 5) werden niedrigere Temperaturen eingestellt.

Wichtiger Hinweis: Drehen Sie den Regler nicht unter Position „1“, da ansonsten das Gerät abgeschaltet wird.



Thermostateinstellungen

- Stellen Sie den Regler für die kurzfristige Lagerung von Lebensmitteln auf eine niedrige/mittlere Temperatur (Stufe 1 oder 3).
- Und für die langfristige Lagerung auf eine mittlere Temperatur (Stufe 3 oder 4) ein.

- Stellen Sie den Knopf auf die Stufe 5, um das frische Essen einzufrieren. Das Gerät läuft bei kälteren Temperaturen.

Hinweis: Faktoren, wie die Umgebungstemperatur, die Temperatur von neu eingelagerten Lebensmitteln und die Häufigkeit, mit der die Gerätetür geöffnet wird, wirken sich auf die Temperatur im Gerät aus. Passen Sie die Temperatureinstellung ggf. entsprechend an.

3.2 Warnhinweise zur Temperatureinstellung

- Faktoren wie die Umgebungstemperatur, die Temperatur von neu eingelagerten Lebensmitteln und die Häufigkeit, mit der die Gerätetür geöffnet wird, wirken sich auf die Temperatur im Kühlteil aus. Passen Sie die Temperatureinstellung ggf. entsprechend an.
- Im Hinblick auf die Effizienz empfiehlt es sich nicht, das Kühlgerät bei Umgebungstemperaturen von weniger als 10 °C zu betreiben.
- Berücksichtigen Sie bei der Einstellung des Thermostats die Häufigkeit, mit der die Gerätetüren geöffnet und geschlossen werden, die Lebensmittelmengen, die im Gerät gelagert werden, und die Umgebung, in der das Kühlgerät betrieben wird.
- Nach dem ersten Einschalten benötigt das Gerät 24 Stunden, um die Betriebstemperatur zu erreichen. Öffnen Sie während dieser Zeit die Tür nicht und bewahren Sie keine großen Lebensmittelmengen darin auf.
- Trennen Sie bei einem Stromausfall das Gerät vom Netz, um eine Beschädigung des Kompressors zu vermeiden. Wenn die Stromversorgung wiederhergestellt ist, warten Sie 5 bis 10 Minuten ab, bevor Sie das Gerät wieder einstecken. So vermeiden Sie Schäden an den Gerätekomponenten.
- Das Gerät ist auf den Betrieb in Umgebungstemperaturen im Bereich von 16 °C - 32 °C ausgelegt. Es

wird nicht empfohlen, das Kühlgerät in Umgebungen außerhalb der angegebenen Temperaturbereiche zu betreiben. Dadurch verschlechtert sich die Kühleffizienz des Geräts.

Klimaklasse und -definition:

T (tropisch): Dieses Kühlgerät ist für den Einsatz bei Umgebungstemperaturen von 16 bis 43 °C vorgesehen.

ST (subtropisch): Dieses Kühlgerät ist für den Einsatz bei Umgebungstemperaturen von 16 bis 38 °C vorgesehen.

N (temperiert): Dieses Kühlgerät ist für den Einsatz bei Umgebungstemperaturen von 16 bis 32 °C vorgesehen.

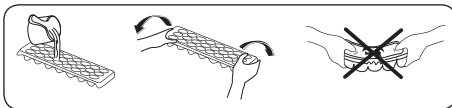
SN (ausgedehnt temperiert): Dieses Kühlgerät ist für den Einsatz bei Umgebungstemperaturen von 10 bis 32 °C vorgesehen.

3.3 Zubehör

Die Darstellungen und Beschreibungen im Abschnitt über Zubehör können je nach Modell von Ihrem Gerät abweichen.

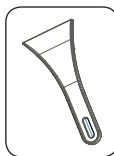
3.3.1 Eiswürfelschale

- Füllen Sie die Eiswürfelschale mit Wasser und legen Sie sie in das Gefrierfach.
- Wenn das Wasser vollständig gefroren ist, können Sie die Schale wie in der Abbildung gezeigt umdrehen, um die Eiswürfel zu entnehmen.



3.3.2 Eisschaber

Nach einer gewissen Zeit bildet sich in bestimmten Bereichen des Gefrierteils Reif. Dieser Reif muss regelmäßig entfernt werden. Verwenden Sie dazu den bereitgestellten Eisschaber. Verwenden Sie dazu keinesfalls scharfkantige Metallgegenstände. Diese können den Kühlmittelkreislauf durchstechen und irreparable Schäden am Gerät verursachen.




4 LEBENSMITTELAGERUNG

4.1 Kühlteil

- Bewahren Sie Flüssigkeiten stets in verschlossenen Behältern im Kühlschrank auf, um Feuchtigkeit und die daraus entstehende Bildung von Reif zu vermeiden. Reif konzentriert sich an den kältesten Stellen, an denen die Flüssigkeit verdunstet, und im Lauf der Zeit muss das Gerät immer häufiger abgetaut werden.
- Stellen Sie keinesfalls warme Lebensmittel in den Kühlschrank. Warme Lebensmittel müssen zunächst bei Raumtemperatur abgekühlt werden und dann so im Kühlteil angeordnet werden, dass eine ausreichende Luftzirkulation gewährleistet ist.
- Achten Sie darauf, dass das Kühlgut nicht die Geräterückwand berührt, da sich Reif bildet und die Verpackung an der Rückwand haften bleibt. Öffnen Sie die Kühlschranktür nicht zu häufig.
- Es empfiehlt sich, Fleisch und rohen Fisch locker einzuschlagen und auf dem Glasfachboden direkt über der Gemüsebox zu lagern. Hier bieten sich aufgrund der kühleren Luft die besten Lagerbedingungen dafür.
- Bewahren Sie loses Obst und Gemüse in den Gemüsefächern auf.
- Obst und Gemüse sollte getrennt gelagert werden, damit ethylenempfindliche Gemüsesorten (grüne Blätter, Brokkoli, Karotten usw.) nicht durch ethylenausscheidendes Obst (Bananen, Pfirsiche, Aprikosen, Feigen usw.) angegriffen werden.
- Legen Sie kein feuchtes Gemüse in den Kühlschrank.
- Die Lagerdauer für Lebensmittel hängt zum einen von der Anfangsqualität des Produkts ab. Zum anderen ist aber auch eine ununterbrochene Kühlkette vor der Einlagerung im Kühlschrank ein wichtiges Kriterium.

- Um Verunreinigungen zwischen verschiedenen Lebensmitteln zu vermeiden, lagern Sie Fleischprodukte nicht zusammen mit Obst und Gemüse ein. Das aus dem Fleisch austretende Wasser kann andere Produkte im Kühlschrank verderben. Verpacken Sie Fleischprodukte deshalb immer gut und wischen Sie ausgetretene Flüssigkeiten auf den Fachböden ab.
- Legen Sie keine Lebensmittel vor den Luftkanälen ab.
- Verbrauchen Sie abgepackte Lebensmittel vor dem empfohlenen Mindesthaltbarkeitsdatum.

 **HINWEIS:** Kartoffeln, Zwiebeln und Knoblauch sollten nicht im Kühlschrank aufbewahrt werden.

- Für den normalen Betrieb reicht eine Temperatureinstellung Ihres Kühlschranks auf +4 °C aus.
- Das Kühlfach sollte eine Temperatur im Bereich von 0 - 8 °C haben, frische Lebensmittel unter 0 °C vereisen und verfaulen und über 8 °C erhöht sich die Keimbelastung und der Fäulnisprozess.
- Legen Sie keine heißen Lebensmittel in den Kühlschrank, sondern lassen Sie diese erst außerhalb abkühlen. Heiße Nahrungsmittel führen zu einer Erhöhung des Kühlgrades Ihres Kühlschranks und verursachen Lebensmittelvergiftungen sowie unnötige Lebensmittelverderbnis.
- Fleisch, Fisch usw. sollten in dem für diese Lebensmittel geeigneten Kühlfach aufbewahrt werden und das Gemüsefach ist für Gemüse vorgesehen. (falls vorhanden)
- Um Kreuzkontaminationen zu vermeiden, werden Fleischprodukte, Früchte und Gemüse nicht zusammen gelagert.
- Lebensmittel sollten in geschlossenen Behältern in den Kühlschrank gestellt oder abgedeckt werden, um Feuchtigkeit und Gerüche zu vermeiden.

In der folgenden Tabelle sind die wichtigsten Lebensmittelgruppen und die jeweils beste Aufbewahrungsart und -dauer im Kühlteil aufgeführt.

Lebensmittel	Maximale Lagerdauer	Lagerart und -ort
Obst und Gemüse	1 Woche	Gemüsebox
Fleisch und Fisch	2 - 3 Tage	In Kunststoffolie oder -beutel oder im Fleischbehälter auf dem Glasfachboden lagern
Käse	3 - 4 Tage	Im dafür vorgesehenen Türfach
Butter und Margarine	1 Woche	Im dafür vorgesehenen Türfach
Flaschenprodukte, z. B. Milch und Joghurt	Bis zum vom Hersteller angegebenen Ablaufdatum	Im dafür vorgesehenen Türfach
Eier	1 Monat	Im dafür vorgesehenen Eierfach
Gekochte Lebensmittel	2 Tage	Alle Ablagefächer

4.2 Gefrierteil

- Im Gefrierteil werden gefrorene Lebensmittel aufbewahrt, frische Lebensmittel eingefroren und Eiswürfel erzeugt.
- Zum Einfrieren frischer Lebensmittel; Lebensmittel angemessen einwickeln und abdichten. Die Verpackung muss luftdicht sein und darf nicht auslaufen. Spezielle Gefrierbeutel, Alufolie, Polyäthylenbeutel und Kunststoffbehälter sind dazu am besten geeignet.
- Lagern Sie frische Lebensmittel nicht neben gefrorenen Lebensmitteln ein, da diese sonst angetaut werden können.
- Frieren Sie frische Lebensmittel portionsweise ein.
- Brauchen Sie angetautes Gefriergut innerhalb kurzer Zeit nach dem Auftauen auf.

- Legen Sie keinesfalls warme Lebensmittel in das Gefrierteil, da sie das Gefriergut antauen können.
- Halten Sie sich beim Lagern von Tiefkühlkost stets an die Anweisungen des Herstellers auf der Lebensmittelverpackung. Wenn keine Angaben zur Lagerdauer verfügbar sind, bewahren Sie Lebensmittel maximal 3 Monate ab Kaufdatum im Gefrierteil auf.
- Achten Sie beim Kauf von Tiefkühlprodukten darauf, dass sie sachgemäß gelagert wurden und die Verpackung nicht beschädigt ist.
- Tiefkühlprodukte müssen in geeigneten Behältnissen transportiert und sobald wie möglich in den Gefrierschrank gebracht werden.
- Kaufen Sie keine Tiefkühlprodukte, deren Packung feucht oder aufgequollen ist. Dies können Anzeichen für Lagerung bei falschen Temperaturen und für verdorbenen Inhalt sein.
- Die Haltbarkeit gefrorener Lebensmittel hängt von der Raumtemperatur, den Thermostateinstellungen, der Häufigkeit des Türöffnens, der Art der Lebensmittel und der Dauer des Transports vom Laden zu Ihnen nach Hause ab. Halten Sie sich stets an die Anweisungen auf der Verpackung und überschreiten Sie keinesfalls die angegebene maximale Haltbarkeit.
- Auf dem Typenschild des Geräts ist die maximale Menge (in kg) an frischen Lebensmitteln angegeben, die innerhalb von 24 Stunden eingefroren werden kann.


HINWEIS: Wenn Sie direkt nach dem Schließen der Gefrierteiltür versuchen, sie wieder zu öffnen, werden Sie feststellen, dass sie sich nur sehr schwer öffnen lässt. Das ist völlig normal. Sobald der Unterdruck ausgeglichen ist, lässt sie sich ganz normal öffnen.

Wichtiger Hinweis:

- Frieren Sie einmal aufgetaute Lebensmittel nicht wieder ein.
- Der Geschmack mancher Gewürze in gekochten Gerichten (Anis, Basilikum, Wasserkresse, Essig, Gewürzmischungen, Ingwer, Knoblauch, Zwiebel, Senf, Thymian, Majoran, schwarzer Pfeffer usw.) ändert sich und sie nehmen einen intensiven Geschmack an, wenn sie über einen längeren Zeitraum eingelagert werden. Würzen Sie deshalb einzufrierende Gerichte nur spärlich, oder geben Sie die Gewürze erst nach dem Auftauen zu.
- Die Lagerdauer von Lebensmitteln hängt vom der verwendeten Öl ab. Geeignete Öle bzw. Fette sind Margarine, Kalbsfett, Olivenöl und Butter. Nicht geeignet sind Erdnussöl und Schweinefett.
- Flüssige Lebensmittel sollten in Kunststoffbechern, andere Lebensmittel in Kunststofffolien oder -beuteln eingefroren werden.



In der folgenden Tabelle sind die wichtigsten Lebensmittelgruppen und die jeweils beste Aufbewahrungsart und -dauer im Gefriereteil aufgeführt.

Fleisch und Fisch	Vorbereitung	Maximale Lagerdauer (Monate)
Steak	In Folie wickeln	6 - 8
Lammfleisch	In Folie wickeln	6 - 8
Kalbsbraten	In Folie wickeln	6 - 8
Kalbsgulasch	In kleinen Stücken	6 - 8
Lammgulasch	In Stücken	4 - 8
Hackfleisch	Verpackt ohne Gewürze	1 - 3
Innereien (Stücke)	In Stücken	1 - 3
Mortadella/Salami	Verpackt, auch wenn sie eine Haut hat	
Hähnchen und Pute	In Folie wickeln	4 - 6
Gans und Ente	In Folie wickeln	4 - 6
Hirsch, Hase, Wildschwein	In Portionen von 2,5 kg oder filetiert	6 - 8
Süßwasserfisch (Lachs, Karpfen, Wels)	Nach dem Schuppen und Ausnehmen, den Fisch waschen und trocknen. Ggf. Schwanz und Kopf entfernen.	2
Fettarmer Fisch (Barsch, Steinbutt, Flunder)		4
Fetter Fisch (Thunfisch, Makrele, Blaubarsch, Anchovis)		2 - 4
Meeresfrüchte	Geputzt im Beutel	4 - 6
Kaviar	In der Verpackung oder in einem Aluminium-/Kunststoffbehälter	2 - 3
Schnecken	In Salzwasser oder in einem Aluminium-/Kunststoffbehälter	3
 HINWEIS:	Aufgetautes Fleisch muss wie frisches Fleisch gekocht werden. Wenn es nach dem Auftauen nicht gekocht wird, darf es nicht mehr eingefroren werden.	

Obst und Gemüse	Vorbereitung	Maximale Lagerdauer (Monate)
Buschbohnen, Bohnen	Waschen, in Stücke schneiden und blanchieren	10 - 13
Dicke Bohnen	Enthülsen, waschen und blanchieren	12
Kohl	Putzen und blanchieren	6 - 8
Karotten	Putzen, in Scheiben schneiden und blanchieren	12
Paprika	Entstielen, in zwei Teile schneiden, Kerngehäuse herauslösen und blanchieren	8 - 10
Spinat	Waschen und blanchieren	6 - 9
Blumenkohl	Blätter entfernen, Herz in Stücke schneiden und eine Weile in Wasser mit etwas Zitronensaft legen	10 - 12
Aubergine	Nach dem Waschen in 2 cm große Stücke schneiden	10 - 12
Mais	Putzen und mit Strunk verpacken oder als Zuckermais	12




Obst und Gemüse	Vorbereitung	Maximale Lagerdauer (Monate)
Äpfel und Birnen	Schälen und in Scheiben schneiden	8 - 10
Aprikosen und Pfirsiche	In zwei Teile schneiden und Kern entfernen	4 - 6

Obst und Gemüse	Vorbereitung	Maximale Lagerdauer (Monate)
Erdbeeren und Brombeeren	Waschen und entstielen	8 - 12
Gekochte Früchte	10 % Zucker in den Behälter zugeben	12
Pflaumen, Kirschen, Sauerkirschen	Waschen und entstielen	8 - 12

	Maximale Lagerdauer (Monate)	Auftauzeit bei Raumtemperatur (Stunden)	Auftauzeit im Ofen (Minuten)
Brot	4 - 6	2 - 3	4-5 (220-225 °C)
Plätzchen	3 - 6	1 - 1,5	5-8 (190-200 °C)
Gebäck	1 - 3	2 - 3	5-10 (200-225 °C)
Kuchen	1 - 1,5	3 - 4	5-8 (190-200 °C)
Filoteig	2 - 3	1 - 1,5	5-8 (190-200 °C)
Pizza	2 - 3	2 - 4	15-20 (200 °C)

Milchprodukte	Vorbereitung	Maximale Lagerdauer (Monate)	Lagerbedingungen
(Homogenisierte) Milch im Tetrapack	In der eigenen Verpackung	2 - 3	Reine Milch – in der eigenen Verpackung
Käse – außer Quark	In Scheiben	6 - 8	Originalverpackung für kurzfristiges Einfrieren. In Folie gewickelt für längere Lagerzeiten.
Butter, Margarine	In der eigenen Verpackung	6	

5 REINIGUNG UND WARTUNG

-  Trennen Sie das Gerät vor dem Reinigen vom Netz.
-  Leeren Sie kein Wasser über das Gerät.
-  Verwenden Sie zum Reinigen keine scheuernden Mittel, Reinigungsmittel oder Seifen. Spülen Sie das Gerät nach dem Reinigen sorgfältig mit klarem Wasser. Stecken Sie nach dem Reinigen den Gerätestecker mit trockenen Händen wieder in die Netzsteckdose.

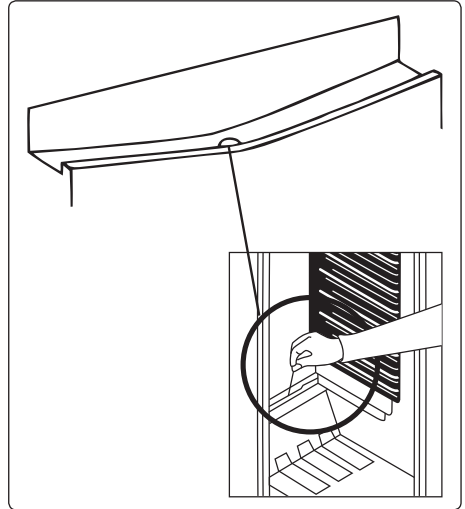
- Achten Sie darauf, dass kein Wasser in das Lampengehäuse und andere elektrische Komponenten gelangt.
- Das Gerät muss regelmäßig mit einer Lösung aus Natron und lauwarmem Wasser gereinigt werden.
- Reinigen Sie das Zubehör separat von Hand mit Wasser und Seife. Waschen Sie das Zubehör nicht im Geschirrspüler.
- Reinigen Sie den Verflüssiger mindestens zweimal jährlich mit einer Bürste. So sparen Sie Energie und steigern die Leistung des Geräts.



Zum Reinigen das Gerät stets vom Stromnetz trennen.

5.1 Abtauen

Abtauen des Kühlteils



- Das Kühlteil wird im laufenden Betrieb automatisch abgetaut. Das Wasser wird in der Tauwasserschale aufgefangen und verdunstet automatisch.
- Die Tauwasserschale und die Öffnung in der Ablaufrinne müssen regelmäßig mithilfe des Ablaufstopfens gereinigt werden, um zu verhindern, dass sich Wasser auf dem Kühlgeräteboden sammelt, anstatt abzufließen.
- Sie können die Abflussöffnung auch reinigen, indem Sie ein Glas Wasser hinuntergießen.

Das Gefrierteil

Im Gefrierteil angesammelter Reif muss regelmäßig entfernt werden (mit dem bereitgestellten Eisschaber). Reinigen Sie das Gefrierteil auf dieselbe Weise wie das Kühlteil (mit der Abtaufunktion) mindestens zweimal jährlich.

In diesem Fall:

- Stellen Sie einen Tag vor dem Abtauen das Thermostat auf Stufe „5“, damit die Lebensmittel vollständig durchgefroren sind.
- Wickeln Sie das Gefriergut für die Dauer des Abtauens in mehrere Schichten Zeitungspapier und bewahren Sie

es an einem kühlen Platz auf. Der unvermeidliche Temperaturanstieg verkürzt die Haltbarkeit. Verbrauchen Sie diese Lebensmittel innerhalb kurzer Zeit.

- Stellen Sie den Temperaturregler auf die Stufe „•“ und trennen Sie das Gerät vom Stromnetz. Lassen Sie die Tür offen, bis das Gerät vollständig abgetaut ist.
- Um das Abtauen zu beschleunigen, können Sie Schüsseln mit warmem Wasser in das Gefrierteil stellen.
- Trocknen Sie das Gerät innen sorgfältig ab und stellen Sie den Temperaturregler auf die Stufe „MAX“.

Austauschen der LED-Beleuchtung



Wenden Sie sich an den Helpdesk, wenn das Kühlgerät über LED-Beleuchtung verfügt, da diese nur von zugelassenem Fachpersonal ausgetauscht werden darf.

6 TRANSPORTIEREN UND UMSTELLEN

6.1 Transportieren und Umstellen

- Die Originalverpackung und das Schaumstofffüllmaterial können für eventuelle spätere Transporte aufbewahrt werden (optional).
- Sichern Sie das Gerät mit einer stabilen Verpackung, Bändern oder starken Schnüren und halten Sie sich an die Transportanweisungen auf der Verpackung.
- Nehmen Sie zum Transportieren oder Umstellen alle beweglichen Teile heraus (Fachböden, Zubehör, Gemüseboxen usw.) oder fixieren Sie diese im Gerät zum Schutz gegen Erschütterungen.



Transportieren Sie das Gerät immer aufrecht.

7 VOR DEM ANRUF BEIM KUNDENDIENST

Möglicherweise liegt ein kleineres Problem vor, wenn das Kühlgerät nicht richtig läuft. Überprüfen Sie Folgendes:

Das Gerät läuft nicht

Überprüfen Sie, ob...

- Strom fließt
- Netzanschluss besteht
- die Thermostateinstellung auf Stufe „4“ steht
- die Steckdose defekt ist. Stecken Sie zum Prüfen der Steckdose ein anderes funktionstüchtiges Gerät ein.

Die Kühlleistung des Geräts ist schlecht

Überprüfen Sie, ob...

- das Gerät überladen ist
- Die Türen richtig geschlossen sind
- der Verflüssiger verstaubt ist
- genügend Freiraum zwischen Wand und Rückseite bzw. Seite besteht

Das Gerät ist laut

Das im Kühlkreislauf zirkulierende Kältemittel kann Geräusche (Blubbern) erzeugen, auch wenn der Kompressor nicht läuft. Das ist völlig normal. Wenn ein anderes Geräusch zu hören ist, überprüfen Sie...

- ob das Gerät waagrecht steht
- ob Gegenstände die Rückseite des Geräts berühren
- ob Gegenstände im Kühlgerät vibrieren

Im unteren Teil des Kühlgeräts seht Wasser

Überprüfen Sie, ob...

die Abflussöffnung für das Wasser verstopft ist (reinigen Sie die Abflussöffnung mithilfe des Ablaufstopfens)

Die Kanten des Kühlgeräts, die die Scharniere berühren, sind warm



Die Flächen, die das Scharnier berühren, werden vor allem im Sommer (warmes Wetter) beim Betrieb des Kompressors wärmer. Das ist völlig normal.

Empfehlungen

- Wenn Sie das Gerät ausschalten oder vom Netz nehmen, warten Sie vor dem erneuten Einschalten bzw. Einstecken mindestens 5 Minuten ab, da anderenfalls der Kompressor beschädigt werden kann.
- Die Kühleinheit befindet sich an der Rückseite des Kühlgeräts. Deshalb können sich an der Rückwand des Kühlteils Wassertropfen oder Eis bilden, wenn der Kompressor in regelmäßigen Abständen läuft. Das ist normal und kein Grund das Gerät abzutauen, es sei denn, es bildet sich übermäßig viel Eis.
- Wenn das Gerät für einen längere Zeit nicht genutzt wird, (z. B. im Urlaub), ziehen Sie den Stecker ab. Tauen Sie das Gerät ab und reinigen Sie es und lassen Sie die Tür offen, damit sich kein Schimmel und keine Gerüche entwickeln.
- Wenn ein Problem weiterhin besteht, nachdem Sie die zuvor genannten Anleitungen befolgt haben, wenden Sie sich an den zuständigen Kundendienst.
- Das Gerät ist nur zur Nutzung im Haushalt ausgelegt. Es ist nicht für gewerbliche oder öffentliche Zwecke ausgelegt. Wenn Sie das Gerät zu anderen als den genannten Zwecken verwenden, übernehmen weder Hersteller noch Händler Verantwortung für eventuelle Reparaturen oder Störungen während der Garantiezeit.
- Sollten Sie einen Service benötigen, halten Sie bitte die Seriennummer Ihres Gerätes bereit. Die Seriennummer befindet sich auf dem Typenschild. Dieses finden Sie im Kühlbereich auf der linken unteren Seite.

8 ENERGIESPARTIPPS

1. Stellen Sie das Gerät in einem kühlen, gut belüfteten Raum auf und setzen Sie es keiner direkten Sonneneinstrahlung und keiner Wärmequelle (z. B. Heizung oder Ofen) aus. Gegebenenfalls ist eine Isolierplatte zu verwenden.
2. Lassen Sie warme Speisen und Getränke erst abkühlen, bevor Sie sie im Kühlgerät aufbewahren.
3. Legen Sie auftauende Lebensmittel in das Kühlteil. Das Gefriergut kühlt das Kühlteil, wobei es gleichzeitig aufgetaut wird. So sparen Sie Energie. Gefrorene Lebensmittel außerhalb des Geräts aufzutauen ist Energieverschwendung.
4. Getränke und andere im Gerät aufbewahrte Flüssigkeiten müssen abgedeckt werden. Nicht abgedeckte Flüssigkeiten erhöhen die Feuchtigkeit im Gerät, was wiederum zu einem höheren Energieverbrauch führt. Durch das Abdecken behalten Getränke und andere Flüssigkeiten ihren Geruch und Geschmack.
5. Öffnen Sie die Türen nicht zu lange und zu häufig, da dadurch warme Luft in das Gerät gelangt, was dazu führt, dass der Kompressor unnötig oft anspringt.
6. Halten Sie die Abdeckungen der verschiedenen Kühlteile (z. B. Gemüsefach und 0 °C-Fach) geschlossen.
7. Die Türdichtung muss sauber und geschmeidig sein. Verschlissene Dichtungen müssen ausgetauscht werden.

9 TECHNISCHE DATEN

Die technischen Informationen befinden sich auf dem Typenschild auf der Innenseite des Gerätes sowie auf dem Energieetikett.

Der QR-Code auf dem mit dem Gerät gelieferten Energieetikett enthält einen Weblink zu den Informationen über die Leistung des Geräts in der EU EPREL-Datenbank.

Bewahren Sie dieses Energieetikett zur jederzeitigen Einsicht zusammen mit dem Benutzerhandbuch und allen anderen mit diesem Gerät gelieferten Dokumenten auf.

Dieselben Informationen finden

Sie auch bei EPREL über den Link <https://eprel.ec.europa.eu>, indem Sie dort den Modellnamen und die Produktnummer vom Typenschild des Geräts eingeben.

Ausführliche Informationen über das Energieetikett finden Sie unter dem Link www.theenergylabel.eu.

10 INFORMATIONEN FÜR PRÜFINSTITUTE

Installation und Vorbereitung des Geräts für eine eventuelle Ökodesign-Prüfung müssen in Übereinstimmung mit EN 62552 erfolgen. Dazu müssen die Belüftungsanforderungen, Aussparungsabmessungen und Mindestabstände auf der Rückseite den Angaben in **Teil 2** dieses Benutzerhandbuchs entsprechen. Bitte wenden Sie sich für weitere Informationen, einschließlich der Ladepläne, an den Hersteller.

11 KUNDENDIENST

Verwenden Sie ausschließlich originale Ersatzteile.

Wenn Sie Kontakt mit unserem Kundendienst aufnehmen, halten Sie bitte folgende Informationen bereit: Modellbezeichnung, Seriennummer und Service Index (SI).

Diese Informationen sind auf dem Typenschild des Gerätes zu finden.

Laut Gesetz gewährleistet der Hersteller die Verfügbarkeit originaler Ersatzteile für bestimmte Komponenten für 7-10 Jahre ab dem Inverkehrbringen der letzten Einheit des Modells.

1 CONSIGNES DE SÉCURITÉ

1.1 Avertissements généraux relatifs à la sécurité

Lire attentivement la présente notice d'utilisation et la conserver pour une consultation ultérieure.

⚠ MISE EN GARDE: Maintenir dégagées les ouvertures de ventilation dans l'enceinte de l'appareil ou dans la structure d'encastrement.

⚠ MISE EN GARDE: Ne pas utiliser de dispositifs mécaniques ou autres moyens pour accélérer le processus de dégivrage autres que ceux recommandés par le fabricant.


⚠ MISE EN GARDE: Ne pas utiliser d'appareils électriques à l'intérieur du compartiment de stockage des denrées, à moins qu'ils ne soient du type recommandé par le fabricant.

⚠ MISE EN GARDE: Ne pas endommager le circuit de réfrigération.

⚠ AVERTISSEMENT: Lors du positionnement de l'appareil, s'assurer que le cordon d'alimentation n'est pas coincé ni endommagé.

⚠ AVERTISSEMENT: Ne pas placer de socles mobiles de prises multiples ni de blocs d'alimentation portables à l'arrière de l'appareil.

⚠ MISE EN GARDE: Pour éviter tout risque dû à l'instabilité de l'appareil, celui-ci doit être fixé conformément aux instructions suivantes :

 Si votre appareil utilise le R600a comme réfrigérant (cette information est indiquée sur l'étiquette du réfrigérateur), veiller à éviter d'endommager les éléments du réfrigérateur lors de son transport et de son installation. Le R600a est un gaz naturel respectueux de l'environnement, mais il est explosif. En cas de fuite résultant d'un dommage occasionné aux éléments du réfrigérateur, déplacer ce dernier afin de l'éloigner de toute flamme nue ou source de chaleur et aérer la pièce où se trouve l'appareil pendant quelques minutes.

- Lors du transport ou de la mise en place du réfrigérateur, ne pas endommager le circuit du gaz réfrigérant.
- Ne pas stocker dans cet appareil des substances explosives telles que des aérosols contenant des gaz propulseurs inflammables.
- Cet appareil est destiné à être utilisé dans des applications domestiques et analogues telles que:
 - les coins cuisines réservés au personnel des magasins, bureaux et autres environnements professionnels;
 - les fermes et l'utilisation par les clients des hôtels, motels et autres environnements à caractère résidentiel;
 - les environnements de type chambres d'hôtes;
 - la restauration et autres applications similaires hormis la vente au détail.

- Si la prise ne correspond pas à la fiche du réfrigérateur, elle doit être remplacée par le fabricant, par un technicien ou par des personnes de qualification similaire afin d'éviter tout danger.
- Le câble électrique de votre réfrigérateur est muni d'une fiche de mise à la terre spéciale. Celle-ci doit être branchée à une prise mise à la terre avec un disjoncteur de 16 ampères en amont. Si votre logement ne comporte pas de prise de ce type, prière d'en faire installer une par un électricien qualifié.
- Cet appareil peut être utilisé par des enfants âgés d'au moins 8 ans et par des personnes ayant des capacités physiques, sensorielles ou mentales réduites ou dénuées d'expérience ou de connaissance, s'ils (si elles) sont correctement surveillé(e)s ou si des instructions relatives à l'utilisation de l'appareil en toute sécurité leur ont été données et si les risques encourus ont été appréhendés. Les enfants ne doivent pas jouer avec l'appareil. Le nettoyage et l'entretien par l'utilisateur ne doivent pas être effectués par des enfants sans surveillance.
- **Les enfants âgés de 3 à 8 ans sont autorisés à charger et décharger les appareils de réfrigération.** Le nettoyage et l'entretien des appareils de réfrigération ne doit pas être fait par des enfants. Les très jeunes enfants (0-3 ans) ne doivent pas utiliser les appareils de réfrigération, les

jeunes enfants (3-8 ans) doivent faire l'objet d'une surveillance continue lorsqu'ils utilisent **les appareils de réfrigération**, les enfants plus âgés (8-14 ans) et les personnes vulnérables peuvent utiliser **les appareils de réfrigération** en toute sécurité à condition d'être supervisés ou d'avoir reçu des instructions appropriées concernant leur utilisation. Les personnes très vulnérables ne doivent pas utiliser **les appareils de réfrigération** à moins de faire l'objet d'une surveillance continue.

- Si le câble d'alimentation est endommagé, il doit être remplacé par le fabricant, son service après vente ou des personnes de qualification similaire afin d'éviter un danger.
- **MISE EN GARDE:** Remplir le bac à glaçons uniquement avec de l'eau potable.

Pour éviter la contamination des aliments, il y a lieu de respecter les instructions suivantes :

- Des ouvertures de la porte de manière prolongée sont susceptibles d'entraîner une augmentation significative de température des compartiments de l'appareil.
- Nettoyer régulièrement les surfaces susceptibles d'être contact avec les aliments et les systèmes d'évacuation accessibles.
- Entreposer la viande et le poisson crus dans les bacs du réfrigérateur qui conviennent, de telle sorte que ces denrées ne soient pas en contact avec

d'autres aliments ou qu'elles ne s'égouttent pas sur les autres aliments.

- Les compartiments des denrées congelées deux étoiles conviennent à la conservation des aliments pré-congelés, à la conservation ou à la fabrication de crème glacée et de glaçons.
- Les compartiments «une, deux et trois étoiles» ne conviennent pas pour la congélation des denrées alimentaires fraîches.
- Si l'**appareil de réfrigération** demeure vide de manière prolongée, le mettre hors tension, en effectuer le dégivrage, le nettoyer, le sécher, et laisser la porte ouverte pour prévenir le développement de moisissures à l'intérieur de l'appareil.

1.2 Avertissements relatifs à l'installation

Avant d'utiliser votre réfrigérateur-congélateur pour la première fois, prière de vérifier les points suivants:

- La tension de fonctionnement de votre réfrigérateur-congélateur est de 220/240 V à 50 Hz.
- Attendez 3 heures avant de brancher l'appareil, afin de garantir des performances optimales.
- La fiche doit rester accessible après l'installation.
- Votre réfrigérateur-congélateur peut dégager une odeur lors de sa première mise en marche. Ceci est normal et cette odeur se dissipera lorsque votre réfrigérateur-congélateur commencera à refroidir.
- Avant de brancher votre réfrigérateur-congélateur, vérifier que les informations figurant sur la plaque signalétique (tension et puissance raccordée) correspondent à celles de l'alimentation secteur. En cas de doute, consulter un électricien qualifié.
- Insérer la fiche dans une prise dotée d'une mise à la terre correcte. Si la prise ne dispose pas de contact de terre ou si la fiche ne correspond pas, nous recommandons de consulter un électricien qualifié pour obtenir de l'aide.
- L'appareil doit être raccordé avec une prise à fusible correctement installée. L'alimentation électrique (CA) et la tension au niveau du point de fonctionnement doivent correspondre aux informations indiquées sur la plaque signalétique de l'appareil (celle-ci se trouve sur la gauche à l'intérieur de l'appareil).
- Nous déclinons toute responsabilité en cas de dommages résultant d'une utilisation sans mise à la terre.
- Placer votre réfrigérateur-congélateur à l'abri de la lumière directe du soleil.
- Votre réfrigérateur-congélateur ne doit jamais être utilisé à l'extérieur ou exposé à la pluie.

- Votre appareil doit être placé à une distance d'au moins 50 cm de tout poêle, four à gaz et radiateur de chauffage et à au moins 5 cm de tout four électrique.
- Si votre réfrigérateur-congélateur est placé à proximité d'un congélateur, une distance d'au moins 2 cm doit les séparer afin d'éviter la formation d'humidité au niveau de sa surface externe.
- Ne pas couvrir le corps ou le dessus du réfrigérateur-congélateur avec une nappe ou un napperon. Ceci risquerait d'altérer ses performances.
- Un intervalle d'au moins 150 mm est requis au-dessus de l'appareil. Ne rien placer sur l'appareil.
- Ne pas poser d'objets lourds sur l'appareil.
- Nettoyer soigneusement l'appareil avant toute utilisation (voir Nettoyage et entretien).
- Avant d'utiliser votre réfrigérateur-congélateur, essuyer tous ses éléments avec une solution composée d'eau chaude et d'une cuillère à café de bicarbonate de soude. Rincer ensuite à l'eau claire et sécher. Remettre tous les éléments du réfrigérateur-congélateur en place après les avoir nettoyés.
- La procédure d'installation dans un bloc-cuisine est indiquée dans la notice d'installation. Ce produit est destiné à être utilisé dans des blocs-cuisines appropriés uniquement.

1.3 En cours d'utilisation

- Ne pas raccorder votre réfrigérateur-congélateur à l'alimentation secteur à l'aide d'une rallonge.
- Ne pas utiliser de fiches endommagées, tordues ou anciennes.
- Ne pas tirer, tordre ou endommager le cordon.
- N'utilisez pas d'adaptateur.
- Cet appareil est destiné à être utilisé par des adultes. Ne pas autoriser des enfants à jouer avec l'appareil ou à se suspendre à la porte.

- Ne jamais toucher le cordon/la fiche d'alimentation avec des mains humides. Ceci pourrait provoquer un court-circuit ou un choc électrique.
- Ne pas placer de bouteilles en verre ou de canettes dans le compartiment à glaçons car ils exploseront lorsque le contenu gèlera.
- Ne pas placer de matière explosive ou inflammable dans votre réfrigérateur. Ranger les boissons présentant une forte teneur en alcool verticalement dans le compartiment réfrigérateur et s'assurer que leurs bouchons sont hermétiquement fermés.
- Ne pas toucher la glace en la retirant du compartiment à glaçons. La glace peut provoquer des brûlures et/ou des coupures.
- Ne pas toucher les aliments congelés avec des mains humides. Ne pas manger de la glace ou des glaçons immédiatement après les avoir sortis du compartiment à glaçons.
- Ne pas recongeler des aliments décongelés. Ceci pourrait provoquer des problèmes de santé comme une intoxication alimentaire.

Anciens réfrigérateurs et réfrigérateurs hors d'usage

- Si l'ancien réfrigérateur ou congélateur est équipé d'un système de verrouillage, briser ou retirer ce dernier avant la mise au rebut car des enfants pourraient s'enfermer à l'intérieur de manière accidentelle.
- Les anciens réfrigérateurs et congélateurs contiennent des matériaux d'isolation et des agents frigorigènes avec des chlorofluorocarbures. Par conséquent, attention à ne pas nuire à l'environnement lors de leur mise au rebut.

Déclaration CE de conformité

Nous déclarons que nos produits sont conformes aux directives, décisions et réglementations européennes en vigueur et aux exigences répertoriées dans les normes référencées.

Mise au rebut de votre ancien appareil

Le symbole sur le produit ou sur son emballage indique que ce produit ne doit pas être traité comme un déchet ménager.



Il doit être transporté dans un point de collecte adapté au recyclage des équipements électriques et électroniques. La mise au rebut correcte de ce produit permet d'éviter toute conséquence négative éventuelle sur l'environnement et la santé, qui pourrait autrement être entraînée par une gestion des déchets inappropriée de ce produit. Pour obtenir des informations détaillées sur le recyclage de ce produit, contacter votre mairie, le centre de traitement des déchets ménagers ou le magasin dans lequel ce produit a été acheté.

Emballage et Environnement

Les matériaux d'emballage protègent votre machine des dommages pouvant survenir pendant le transport. Les matériaux d'emballage sont respectueux de l'environnement car ils sont recyclables. L'utilisation de matériaux recyclés réduit la consommation de matières premières et donc la production de déchets.

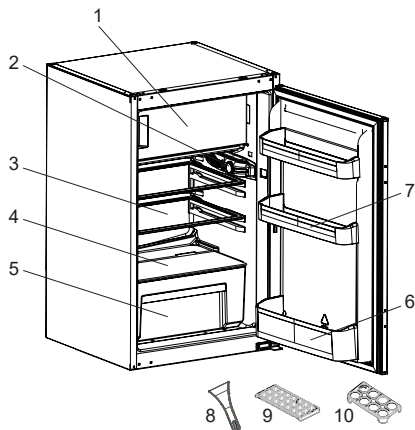



Remarques :

- Il convient de lire attentivement le manuel d'instructions avant d'installer et d'utiliser l'appareil. Nous ne sommes pas responsables des dommages dus à une mauvaise utilisation.
- Il convient de suivre toutes les instructions de l'appareil et du manuel d'instructions et de conserver ce manuel en lieu sûr pour pouvoir résoudre les problèmes pouvant survenir à l'avenir.
- Cet appareil a été conçu pour être utilisé dans les maisons et il ne peut être utilisé que dans des environnements domestiques et aux fins prévues. Il ne convient pas à une utilisation commerciale ou commune. Une telle utilisation entraînerait l'annulation de la garantie de l'appareil et notre société n'est pas responsable des pertes éventuelles.

- Cet appareil a été conçu pour être utilisé dans les maisons et il ne convient qu'au refroidissement/à la conservation des aliments. Il ne convient pas à une utilisation commerciale ou commune et/ou pour stocker toute autre substance que de la nourriture. Dans le cas contraire, notre société n'est pas responsable des pertes éventuelles.

2 DESCRIPTION DE L'APPAREIL



 Cette présentation des parties de l'appareil est fournie à titre informatif uniquement. Les parties peuvent varier en fonction du modèle d'appareil.

- 1) Porte du compartiment congélateur
- 2) Boîtier thermostat
- 3) Clayettes réfrigérateur
- 4) Couvercle du compartiment à légumes
- 5) Compartiment à légumes
- 6) Balconnet à bouteilles
- 7) Balconnets
- 8) Raclette en plastique*
- 9) Bac à glaçons
- 10) Support porte-œufs

* Sur certains modèles

Remarques générales:

Compartiment des aliments frais

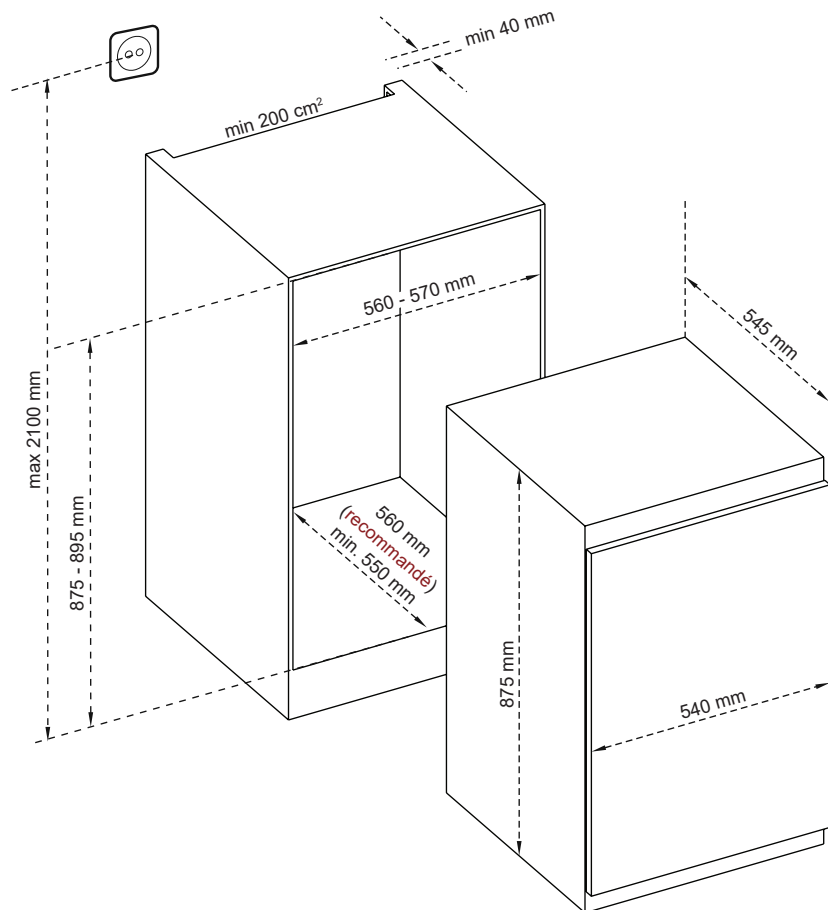
(réfrigérateur) : L'utilisation la plus efficace de l'énergie est assurée dans la configuration avec les tiroirs dans la partie inférieure de l'appareil, et les étagères uniformément réparties. La position des bacs de porte n'affecte pas la consommation d'énergie.

Compartiment congélation

(congélateur) : L'utilisation la plus efficace de l'énergie est assurée dans la configuration où les tiroirs et les bacs sont en position de stock.

2.1 Dimensions

* 875 - 883 pour couvercle métallique



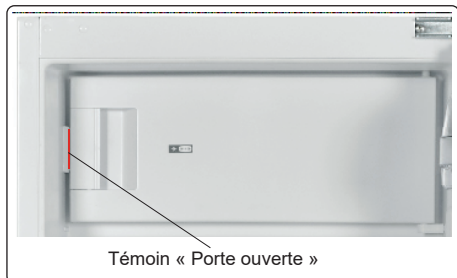
3 UTILISATION DE L'APPAREIL


Témoin « Porte ouverte » ;

Le témoin « Porte ouverte » de la poignée indique si la porte est correctement fermée ou si elle est restée ouverte.

Si le témoin est rouge, la porte est encore ouverte.

Si le témoin est blanc, la porte est correctement fermée.

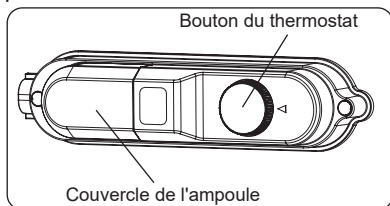


 La porte du congélateur doit toujours être fermée. Cela empêche la décongélation des aliments. Cela empêche toute accumulation de glace et de gel à l'intérieur du congélateur, ainsi qu'une consommation d'énergie inutile.

3.1 Réglage du thermostat

Le thermostat régule automatiquement la température à l'intérieur des compartiments réfrigérateur et congélateur. Des températures plus fraîches peuvent être obtenues en tournant le bouton sur des valeurs supérieures, de 1 à 5.

 **Remarque importante:** Ne pas essayer de faire tourner le bouton en dessous de la position 1 car cela arrêterait l'appareil.



Paramètres du thermostat

- Mettre le bouton dans une position basse/intermédiaire, jusqu'à 3, pour une conservation à court terme de la nourriture dans l'appareil.
- Mettre le bouton dans une position intermédiaire, 3 ou 4, pour une conservation à long terme de la nourriture dans l'appareil.
- Mettre le bouton dans une position 5, pour congeler des aliments frais. L'appareil fonctionne plus longtemps. Une fois les aliments congelés, revenez à la position précédente.

3.2 Avertissements relatifs aux paramètres de température

- La température ambiante, la température des aliments nouvellement stockés et la fréquence d'ouverture de la porte affectent la température du compartiment réfrigérateur. Si nécessaire, modifier le réglage de la température.
- Il n'est pas recommandé d'utiliser le réfrigérateur dans des environnements dont la température est inférieure à 10 °C pour préserver son efficacité.
- Lors du réglage du thermostat, il convient de tenir compte de la fréquence d'ouverture et de fermeture des portes de l'appareil, de la quantité de nourriture stockée dans le réfrigérateur et de l'environnement dans lequel le congélateur se trouve.
- Lorsque l'appareil est mis en marche pour la première fois, il convient de le faire tourner pendant 24 heures pour qu'il atteigne la température de fonctionnement. Au cours de cette période, ne pas ouvrir la porte et ne pas conserver une quantité importante de nourriture à l'intérieur.
- Débrancher l'appareil pendant les coupures de courant pour éviter tout dommage au compresseur. Une fois que le courant est restauré, attendre 5 à 10 minutes avant de rebrancher l'appareil. Cela permet d'éviter tout dommage aux composants de l'appareil.

- L'appareil a été conçu pour fonctionner dans la plage de température ambiante préconisée dans les normes, conformément à la classe climatique indiquée sur l'étiquette d'information. Il n'est pas recommandé que le réfrigérateur soit utilisé dans des environnements dont la température se situe en dehors de la plage indiquée. Cela réduirait l'efficacité en termes de refroidissement de l'appareil.
- L'appareil a été conçu pour fonctionner dans l'intervalle de température ambiante (N = 16 °C - 32 °C) préconisé dans les normes, conformément à la classe climatique indiquée sur l'étiquette d'information. Nous ne recommandons pas d'utiliser l'appareil en dehors des limites de température indiquées pour ménager l'efficacité du refroidissement. Consulter les avertissements associés.

Classe Climatique et signification :

T (tropical) : Cet appareil frigorifique est destiné à être utilisé à des températures ambiantes comprises entre 16 °C et 43 °C.

ST (subtropical) : Cet appareil frigorifique est destiné à être utilisé à des températures ambiantes comprises entre 16 °C et 38 °C.

N (tempéré) : Cet appareil frigorifique est destiné à être utilisé à des températures ambiantes comprises entre 16 °C et 32 °C.

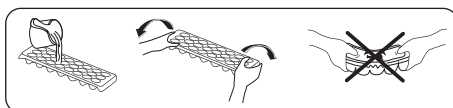
SN (Tempéré étendu) : Cet appareil frigorifique est destiné à être utilisé à des températures ambiantes comprises entre 10 °C et 32 °C.

3.3 Accessoires

Les descriptions visuelles et textuelles de la section relatives aux accessoires peuvent varier selon le modèle de votre appareil.

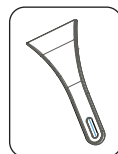
3.3.1 Bac à glaçons

- Remplir le bac à glaçons d'eau et le placer dans le compartiment congélateur.
- Une fois que l'eau a complètement gelé, il est possible de tordre le bac à glaçons comme indiqué pour retirer les glaçons.



3.3.2 Raclette en plastique (Sur certains modèles)

Au bout d'un certain temps, du gel s'accumule dans certaines zones du congélateur. Le gel accumulé dans le congélateur doit être retiré régulièrement. Utiliser la raclette en plastique fournie, si nécessaire. Pour ce faire, ne pas utiliser d'objets coupants en métal. Ils risqueraient de perforer le circuit du réfrigérateur et provoquer des dommages irréparables.



4 RANGEMENT DES ALIMENTS

4.1 Compartiment du réfrigérateur

- Pour diminuer l'humidité et éviter la formation de givre associée, toujours ranger les aliments dans des récipients fermés dans le réfrigérateur. Le givre a tendance à se concentrer dans les parties les plus froides où l'humidité des aliments s'évapore et, au fil du temps, votre appareil nécessitera un dégivrage plus fréquent.
- Ne jamais placer d'aliments chauds dans le réfrigérateur. Les aliments chauds doivent refroidir à température ambiante et être disposés de façon à permettre une circulation adéquate de l'air dans le compartiment réfrigérateur.
- S'assurer qu'aucun élément n'est en contact direct avec la paroi arrière de l'appareil car du givre risque de se former et l'emballage de coller à cette dernière. Ne pas ouvrir fréquemment la porte du réfrigérateur.
- Il est recommandé que la viande et le poisson vidé soient placés dans un emballage hermétique et mis sur la clayette en verre située juste au-dessus du bac à légumes où l'air est plus frais, ce qui offre des conditions de conservation optimales.
- Ranger les fruits et les légumes en vrac dans le compartiment à légumes.
- Le fait de séparer les fruits et les légumes permet d'éviter aux légumes sensibles à l'éthylène (légumes-feuilles, brocolis, carottes, etc.) d'être altérés par les fruits générateurs d'éthylène (bananes, pêches, abricots, figues, etc.).
- Ne pas placer de légumes humides dans le réfrigérateur.
- La durée de conservation de l'ensemble des aliments dépend de leur qualité initiale et du respect d'un cycle de réfrigération ininterrompu avant leur rangement dans le réfrigérateur.

- Pour éviter toute contamination croisée, ne pas ranger la viande avec des fruits et des légumes. L'eau s'écoulant de la viande risque de contaminer les autres produits du réfrigérateur. Les produits carnés doivent être emballés et les coulures sur les clayettes doivent être nettoyées.
- Ne pas placer d'aliments sur le passage du flux d'air.
- Consommer les aliments emballés avant la date d'expiration recommandée.



REMARQUE : Les pommes de terre, les oignons et l'ail ne doivent pas être rangés dans le réfrigérateur.

- Pour des conditions de travail normales, il suffira de régler la température de votre réfrigérateur à +4 °C.
- La température du compartiment réfrigérateur doit être comprise entre 0 et 8 °C, les aliments frais en dessous de 0 °C sont glacés et pourrissent, la charge bactérienne augmente au-dessus de 8 °C et les aliments se détériorent.
- Ne mettez pas immédiatement les aliments chauds dans le réfrigérateur, attendez que la température diminue à l'extérieur. Les aliments chauds augmentent le degré de votre réfrigérateur et peuvent provoquer une intoxication alimentaire et une altération inutile des aliments.
- La viande, le poisson, etc. doivent être conservés dans le compartiment le plus réfrigéré des aliments, et le compartiment des légumes est préférable pour ranger les légumes. (si disponible)
- Pour éviter la contamination croisée, les produits à base de viande et les fruits et légumes ne doivent pas être rangés ensemble.
- Les aliments doivent être placés au réfrigérateur dans des récipients fermés ou couverts pour éviter l'humidité et les odeurs.

Le tableau ci-dessous est un guide rapide indiquant comment ranger le plus efficacement les aliments dans le compartiment réfrigérateur.

Aliment	Durée de conservation maximale	Méthode et lieu de conservation
Légumes et fruits	1 semaine	Bac à légumes
Viande et poisson	2 à 3 jours	Emballer dans un film ou des sacs plastiques ou dans une boîte conçue pour la viande et ranger sur la clayette en verre
Fromage frais	3 à 4 jours	Sur le balconnet indiqué
Beurre et margarine	1 semaine	Sur le balconnet indiqué
Produits en bouteille, par exemple lait et yaourt	Jusqu'à la date d'expiration recommandée par le producteur	Sur le balconnet indiqué
Œufs	1 mois	Sur le balconnet à œufs indiqué
Aliments cuits	2 jours	Toutes les clayettes

4.2 Compartiment congélateur

- Le congélateur est utilisé pour stocker des aliments congelés, congeler des aliments frais et faire des glaçons.
- Pour congeler des aliments frais; emballer et sceller correctement les aliments frais, en d'autres mots l'emballage doit être étanche à l'air et ne pas fuir. Les sacs congélateurs, les sacs en polyéthylène renforcé d'aluminium et les conteneurs en plastique sont idéaux.
- Ne pas ranger des aliments frais à côté d'aliments congelés car cela risquerait de faire fondre les aliments congelés.
- Avant de congeler des aliments frais, les diviser en portions de façon à pouvoir les consommer en une seule fois.
- Consommer les aliments congelés rapidement après leur décongélation

- Ne jamais placer d'aliments chauds dans le compartiment congélateur car ils risqueraient de faire fondre les aliments congelés.
- Toujours respecter les instructions du fabricant figurant sur l'emballage des aliments lorsque l'on stocke des aliments congelés. En l'absence d'informations, ne pas conserver les aliments plus de 3 mois à compter de la date d'achat.
- Lors de l'achat d'aliments congelés, s'assurer qu'ils ont été conservés dans des conditions adéquates et que leur emballage n'est pas endommagé.
- Les aliments congelés doivent être transportés dans des conteneurs adéquats et placés dans le congélateur dès que possible.
- Ne pas acheter d'aliments congelés si leur emballage présente des signes d'humidité et un gonflement anormal. Il est alors probable qu'ils ont été conservés à une température inappropriée et que leur contenu est altéré.
- La durée de conservation des aliments congelés dépend de la température ambiante, du paramètre du thermostat, de la fréquence d'ouverture de la porte, du type de nourriture et de la durée requise pour transporter le produit du magasin à votre domicile. Toujours suivre les instructions imprimées sur l'emballage et ne jamais dépasser la durée de conservation maximale indiquée.
- La quantité maximale d'aliments frais (en kg) qui peut être congelée en 24 heures est indiquée sur l'étiquette de l'appareil.

REMARQUE : La porte du congélateur s'ouvre difficilement après la fermeture immédiate de la porte. Une fois l'équilibre de température atteint, la porte s'ouvrira facilement.


Remarque importante :

- Ne jamais recongeler des aliments décongelés.
- Le goût de certaines épices utilisées dans les plats cuisinés (anis, basilic, cresson, vinaigre, mélange d'épices, gingembre, ail, oignon, moutarde, thym, marjolaine, poivre noir, etc.) change et se renforce en cas de conservation pendant une période prolongée. Par conséquent, ajouter de petites quantités d'épices aux aliments à congeler ou mettre les épices souhaitées une fois les aliments décongelés.
- La durée de conservation des aliments dépend du type de graisse utilisée. Les graisses adéquates sont la margarine, la graisse de veau, l'huile d'olive et le beurre. L'huile d'arachide et la graisse de porc sont inappropriées.
- La nourriture sous forme liquide doit être congelée dans des gobelets en plastique et les autres aliments dans des films ou sacs en plastique.



Le tableau ci-dessous est un guide rapide indiquant comment ranger le plus efficacement les aliments dans le compartiment congélateur.

Viande et poisson	Préparation	Durée de conservation maximale (mois)
Steak	Emballer dans du papier aluminium	6 à 8
Agneau	Emballer dans du papier aluminium	6 à 8
Rôti de veau	Emballer dans du papier aluminium	6 à 8
Cubes de veau	En petite portion	6 à 8
Cubes d'agneau	En petite portion	4 à 8
Viande hachée	Dans son emballage, sans épices	1 à 3
Abats (morceaux)	En petite portion	1 à 3
Saucisson / Salami	Doit être conservé emballé, même s'il comporte une peau	
Poulet et dinde	Emballer dans du papier aluminium	4 à 6
Oie et canard	Emballer dans du papier aluminium	4 à 6
Chevreuil, lapin, sanglier	En portions de 2,5 kg ou sous forme de filets	6 à 8

Viande et poisson	Préparation	Durée de conservation maximale (mois)
Poisson d'eau douce (saumon, carpe, truite, poisson-chat)	Après avoir vidé le poisson et nettoyé ses écailles, le laver et le sécher. Si nécessaire, retirer la queue et la tête.	2
Poissons maigres (bar, turbot, limande)		4
Poissons gras (thon, maquereau, tassergal, anchois)		2 à 4
Crustacés	Nettoyer et placer dans un sac	4 à 6
Caviar	Dans son emballage ou dans un récipient en aluminium ou en plastique	2 à 3
Escargots	Dans de l'eau salée ou dans un récipient en aluminium ou en plastique	3
 REMARQUE :La viande décongelée doit être cuisinée comme de la viande fraîche. Si la viande n'est pas cuisinée après avoir été décongelée, elle ne doit pas être recongelée.		


Légumes et fruits	Préparation	Durée de conservation maximale (mois)
Haricots verts et haricots	Laver, couper en petits morceaux et porter à ébullition	10 à 13
Pois	Écosser, laver et porter à ébullition	12
Chou	Nettoyer et porter à ébullition	6 à 8
Carotte	Nettoyer, couper en tranches et porter à ébullition	12
Poivrons	Couper la tige, couper en deux morceaux, retirer l'intérieur et porter à ébullition	8 à 10
Épinard	Laver et porter à ébullition	6 à 9
Chou-fleur	Retirer les feuilles, couper le cœur en morceaux et laisser tremper quelques instants dans l'eau avec un peu de jus de citron	10 à 12
Aubergines	Couper en morceaux de 2 cm après lavage	10 à 12
Maïs	Nettoyer et emballer avec la tige ou sous forme de grains de maïs doux	12
Pommes et poires	Peler et trancher	8 à 10
Abricots et pêches	Couper en deux morceaux et retirer le noyau	4 à 6
Fraises et mûres	Laver et équeuter	8 à 12
Fruits cuits	Ajouter 10 % de sucre dans le récipient	12
Prunes, cerises	Laver et équeuter	8 à 12


	Durée de conservation maximale (mois)	Durée de décongélation à température ambiante (heures)	Durée de décongélation au four (minutes)
Pain	4 à 6	2 à 3	4 à 5 (220 à 225 °C)
Biscuits	3 à 6	1 à 1,5	5 à 8 (190 à 200 °C)
Pâtes	1 à 3	2 à 3	5 à 10 (220 à 225 °C)


	Durée de conservation maximale (mois)	Durée de décongélation à température ambiante (heures)	Durée de décongélation au four (minutes)
Tarte	1 à 1,5	3 à 4	5 à 8 (190 à 200 °C)
Pâte filo	2 à 3	1 à 1,5	5 à 8 (190 à 200 °C)
Pizza	2 à 3	2 à 4	15 à 20 (200 °C)

Produits laitiers	Préparation	Durée de conservation maximale (mois)	Conditions de conservation
Lait en pack (homogénéisé)	Dans son propre emballage	2 à 3	Lait, dans son emballage
Fromage, en dehors du fromage blanc	En tranches	6 à 8	L'emballage d'origine peut être utilisé pour un stockage pendant une courte période. Conserver emballé dans du papier aluminium pour de plus longues périodes.
Beurre, margarine	Dans son emballage	6	


5 NETTOYAGE ET ENTRETIEN

 Débrancher l'appareil de l'alimentation électrique avant de le nettoyer.

 Ne pas nettoyer votre appareil en versant de l'eau dessus.

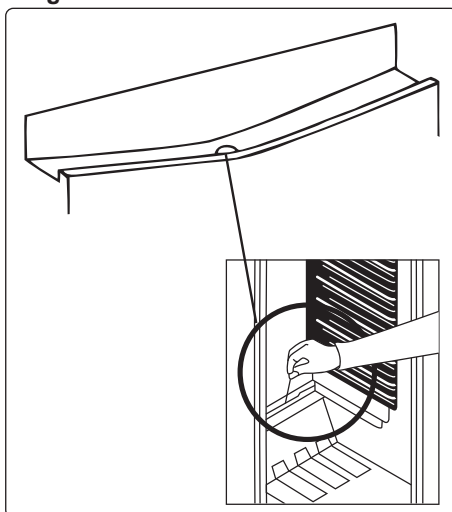
 Ne pas utiliser de produits, de détergents ou de savons abrasifs pour nettoyer l'appareil. Après avoir procédé au lavage, rincer à l'eau claire et sécher soigneusement. Lorsque le nettoyage est terminé, rebrancher la fiche sur l'alimentation électrique avec les mains sèches.

- S'assurer que l'eau ne pénètre pas dans le boîtier de la lampe et dans d'autres composants électriques.
- L'appareil doit être nettoyé régulièrement à l'aide d'une solution à base de bicarbonate de soude et d'eau tiède.
- Nettoyer les accessoires séparément à la main avec du savon et de l'eau. Ne pas laver les accessoires au lave-vaisselle.
- Nettoyer le condenseur avec une brosse au moins deux fois par an. Ceci permet de réaliser des économies d'énergie et d'améliorer le rendement.

 **L'alimentation électrique doit être débranchée pendant le nettoyage.**

5.1 Décongélation

Dégivrage du compartiment du réfrigérateur



- Le dégivrage s'effectue automatiquement en cours de fonctionnement dans le compartiment du réfrigérateur. L'eau est recueillie par le bac d'évaporation et s'évapore automatiquement.
- Le bac d'évaporation et l'orifice d'évacuation de l'eau doivent être nettoyés périodiquement en utilisant la tige de vidange pour éviter que l'eau ne

stagne en bas du réfrigérateur au lieu de s'écouler.

- Il est également possible de nettoyer l'orifice d'évacuation en y versant un demi-verre d'eau.

Compartment congélateur

Le givre accumulé dans le compartiment congélateur doit être éliminé régulièrement (à l'aide de la raclette en plastique fournie). Le compartiment congélateur doit être nettoyé de la même façon que le compartiment du réfrigérateur, en utilisant la fonction de dégivrage, au moins deux fois par an.

Pour ce faire :

- Le jour précédant le dégivrage, régler le cadran du thermostat en position « 5 » pour congeler complètement les aliments.
- Pendant le dégivrage, les aliments congelés doivent être emballés dans plusieurs couches de papier et conservés dans un endroit frais. La hausse inévitable de température qui se produira réduira leur durée de conservation. Ne pas oublier de consommer ces aliments dans un délai relativement court.
- Régler le bouton du thermostat en position « • » et débrancher l'appareil de l'alimentation secteur. Laisser la porte ouverte jusqu'à ce que l'appareil soit complètement dégivré.
- Pour accélérer le processus de dégivrage, placer un ou deux bols d'eau chaude dans le compartiment congélateur.
- Sécher soigneusement l'intérieur de l'appareil et régler le bouton du thermostat en position MAX avant de rebrancher la fiche de l'appareil.

Remplacement de l'éclairage LED



Pour remplacer ces LED, prière de contacter le service après-vente agréé.

6 TRANSPORT ET CHANGEMENT DE PLACE

6.1 Transport et changement de place

- L'emballage d'origine et la mousse peuvent être conservés pour transporter de nouveau l'appareil (de façon optionnelle).
- Envelopper votre appareil avec un emballage épais, des sangles ou des cordes solides et suivre les instructions de transport figurant sur l'emballage.
- Retirer toutes les pièces amovibles (les clayettes, les accessoires, les bacs à légumes, etc.) ou les fixer dans l'appareil à l'aide de ruban adhésif pour éviter les chocs en cas de changement de place ou de transport.



Toujours transporter votre appareil en position verticale.

7 AVANT DE CONTACTER LE SERVICE APRÈS-VENTE

Si votre réfrigérateur ne fonctionne pas correctement, il se peut qu'il présente un problème mineur. Vérifier ce qui suit.

L'appareil ne fonctionne pas

Vérifier si :

- Il est alimenté en électricité.
- Il est raccordé au secteur.
- L'un des fusibles est-t-il défectueux?
- Le paramètre du thermostat se trouve en position « • ».
- La prise est défectueuse. Pour vérifier cela, brancher un autre appareil en état de marche sur la même prise.

L'appareil fonctionne mal

Vérifier si :

- L'appareil est trop chargé.
- Les portes sont correctement fermées.
- De la poussière se trouve sur le condenseur.
- L'espace situé à l'arrière et sur les côtés est suffisant.

L'appareil est bruyant

Le gaz de refroidissement circulant dans le circuit du réfrigérateur peut générer un léger bruit (son de bouillonnement) même si le compresseur ne fonctionne pas. Pas d'inquiétude, ceci est normal. Si un son différent retentit, vérifier si :

- L'appareil est de niveau.
- Rien ne touche l'arrière de l'appareil.
- Des objets vibrent dans l'appareil.

Il y a de l'eau dans la partie inférieure du réfrigérateur

Vérifier si :

L'orifice d'évacuation de l'eau n'est pas bouché (utiliser la tige de vidange du dégivrage pour nettoyer l'orifice d'évacuation).

Recommandations

- Si l'appareil est mis hors tension ou débranché, attendre au moins 5 minutes avant de brancher l'appareil ou de le redémarrer afin d'éviter d'endommager le compresseur.

- L'unité de refroidissement de votre réfrigérateur se trouve à l'arrière de l'appareil. Par conséquent, des gouttelettes d'eau ou de la glace peuvent se former sur l'arrière de votre réfrigérateur en raison du fonctionnement du compresseur à des intervalles spécifiés. Ceci est normal, il n'est pas nécessaire de réaliser une opération de dégivrage sauf en présence d'une quantité de glace excessive.
- Si l'on ne souhaite pas utiliser le réfrigérateur pendant une longue période (pendant les vacances d'été, par exemple), régler la position du thermostat sur « • », dégivrer et nettoyer le réfrigérateur, puis laisser la porte ouverte pour éviter la formation de moisissures et d'odeurs.
- Si un problème persiste après avoir suivi toutes les instructions ci-dessus, prière de consulter votre technicien agréé le plus proche.
- Cet appareil est destiné à un usage domestique uniquement. Il ne convient pas à une utilisation commerciale ou commune. Si le consommateur utilise l'appareil d'une façon inappropriée, nous insistons sur le fait que le fabricant et le vendeur ne pourront être tenus responsables quant à une quelconque réparation ou panne survenant pendant la période de garantie.

8 CONSEILS POUR ÉCONOMISER DE L'ÉNERGIE

1. Installer l'appareil dans une pièce fraîche et bien ventilée, mais pas à la lumière directe du soleil ou à proximité d'une source de chaleur (comme un radiateur ou un four), dans le cas contraire une plaque isolante doit être utilisée.
2. Laisser les aliments et les boissons refroidir avant de les placer dans l'appareil.
3. Placer les aliments en cours de décongélation dans le compartiment du réfrigérateur. La basse température des aliments congelés permettra de refroidir le compartiment du réfrigérateur pendant leur décongélation. Ceci permettra d'économiser de l'énergie. Laisser les aliments décongeler à l'extérieur de l'appareil se traduit par un gaspillage d'énergie.
4. Les boissons et les aliments doivent être conservés fermés dans l'appareil. Dans le cas contraire, l'humidité augmente et, par conséquent, l'appareil utilise plus d'énergie. Conserver les boissons et autre liquides fermés permet de préserver leur odeur et leur goût.
5. Éviter de laisser les portes ouvertes pendant des périodes prolongées et d'ouvrir les portes trop fréquemment car de l'air chaud pénètre alors dans l'appareil et provoque une mise en marche inutile et fréquente du compresseur.
6. Laisser les couvercles des compartiments ayant une température différente (comme les compartiments à légumes et fraîcheur) fermés.
7. Le joint de la porte doit être propre et souple. Remplacer les joints s'ils sont usés.

9 DONNÉES TECHNIQUES

Les informations techniques figurent sur la plaque signalétique sur le côté intérieur de l'appareil et sur l'étiquette énergétique.

Le code QR présent sur l'étiquette énergétique fournie avec l'appareil contient un lien Web vers les informations relatives aux performances de l'appareil dans la base de données EPREL de l'UE.

Conservez l'étiquette énergétique à titre de référence avec le manuel d'utilisation et tous les autres documents fournis avec cet appareil.

Il est également possible de trouver les mêmes informations dans EPREL à l'aide du lien <https://eprel.ec.europa.eu> avec le nom du modèle et le numéro de produit se trouvant sur la plaque signalétique de l'appareil.

10 INFORMATIONS POUR LES INSTITUTS DE TEST

L'installation et la préparation de l'appareil pour une vérification EcoDesign doivent être conformes à la norme EN 62552.

Les exigences de ventilation, les dimensions des évidements et les dégagements arrière minimum doivent correspondre aux indications du **section 2** de ce manuel d'utilisation. Veuillez contacter le fabricant pour de plus amples informations, notamment les plans de chargement.

11 SERVICE ET ASSISTANCE À LA CLIENTÈLE

Utilisez toujours des pièces de rechange d'origine.

Lorsque vous contactez notre centre de service agréé, assurez-vous que vous disposez des données suivantes: modèle, numéro de série et indice de service.

Ces informations se trouvent sur la plaque signalétique. Sous réserve de modifications sans préavis.

Les pièces de rechange d'origine pour certains composants spécifiques sont disponibles pendant 10 ans à compter de la date de mise sur le marché de la dernière unité du modèle.

Visitez notre site Web pour:
www.vestel.com

1 VEILIGHEIDSWAARSCHUWINGEN

1.1 Algemene Veiligheidswaarschuwingen

Lees deze instructies zorgvuldig en volledig voor u uw apparaat in gebruik neemt en bewaar deze op een handige locatie voor eventuele raadpleging in de toekomst.

⚠ WAARSCHUWING: Houd de ventilatieopeningen van de koelkast vrij van obstakels.

⚠ WAARSCHUWING: Gebruik geen mechanische apparaten of andere middelen om het ontdooiingsproces te versnellen.

⚠ WAARSCHUWING: Gebruik geen andere elektrische apparaten in de koelkast met freezer.

⚠ WAARSCHUWING: Beschadig het koelcircuit niet.

⚠ WAARSCHUWING: Om persoonlijk letsel of schade te voorkomen dient dit apparaat in overeenstemming met de instructies van de fabrikant te worden gedïnstalleerd.

⚠ WAARSCHUWING: Zorg er bij het plaatsen van het apparaat voor dat het stroomsnoer niet verstrikt raakt of beschadigd is.

⚠ WAARSCHUWING: Plaats geen draagbare stopcontacten of verlengsnoeren achter het apparaat.

⚠ Als uw apparaat de koelvloeistof R600a bevat (u ziet dit in de informatie op het etiket op de koelkast), moet u tijdens vervoer en installatie heel voorzichtig zijn om te voorkomen dat de koelelementen van het

apparaat beschadigen. R600a is wel een milieuvriendelijk en natuurlijk gas. Maar omdat het explosief is, moet u de ruimte waar het apparaat wordt geplaatst een paar minuten ventileren en open vuur weg houden, voor het geval dat door beschadiging van de koelelementen gas lekt.

- Tijdens het dragen en plaatsen van de koelkast moet het koelgascircuit niet beschadigd worden.
- Bewaar geen explosieve substanties zoals spuitbussen met ontvlambaar drijfgas in dit apparaat.
- Dit apparaat is bestemd voor huishoudelijk gebruik of soortgelijke toepassing, zoals:
 - personeelskeukens in winkels, kantoren en andere bedrijfsomgevingen,
 - boerderijen en gasten in hotels, motels of andere verblijfsomgevingen,
 - omgevingen voor overnachting met ontbijt,
 - catering en soortgelijke niet-commerciële toepassingen.
- Als de stekker van de koelkast niet past in het stopcontact moet deze om gevaar te voorkomen vervangen worden door de fabrikant, zijn serviceagent of soortgelijk gekwalificeerd persoon.
- Dit apparaat is niet bedoeld voor gebruik door personen (inbegrepen kinderen) met gereduceerde fysieke, zintuiglijke of mentale capaciteiten, of een gebrek aan ervaring en kennis, tenzij ze onder toezicht staan of instructies kregen betreffende het

gebruik van het apparaat door een persoon die verantwoordelijk is voor hun veiligheid. Kinderen moeten onder toezicht staan om ervoor te zorgen dat ze niet spelen met het apparaat.

- De stroomkabel van uw koelkast is van een speciale geaarde stekker voorzien. Deze stekker dient met een speciaal geaard stopcontact worden gebruikt met een waarde van minimaal 16 ampères. Als u niet over een dergelijk stopcontact in uw huis beschikt, dient u deze door een gekwalificeerde elektricien te laten aanleggen.
- Dit apparaat kan worden gebruikt door kinderen vanaf 8 jaar en personen met gereduceerde fysieke, zintuiglijke of mentale capaciteiten, of een gebrek aan ervaring en kennis, mits ze onder toezicht staan of instructies kregen betreffende het veilige gebruik van het apparaat en de gevaren ervan inzien. Laat kinderen niet spelen met het apparaat. Kinderen mogen zonder toezicht geen reinigings- en gebruiker onderhoudswerkzaamheden uitvoeren.
- Kinderen tussen de 3 en 8 jaar oud mogen koelapparaten in- en uitruimen. Kinderen zijn niet toegestaan reinigings- of onderhoudswerkzaamheden voor gebruikers op het apparaat uit te voeren. Zeer jonge kinderen (tussen de 0 en 3 jaar oud) mogen het apparaat niet gebruiken. Jonge kinderen (tussen de 3 en 8 jaar oud) mogen het apparaat niet gebruiken, mits ze onder voortdurend toezicht staan. Oudere kinderen

(tussen de 8 en 14 jaar oud) en kwetsbare personen mogen het apparaat op veilige wijze gebruiken als ze onder geschikt toezicht staan of instructies hebben gekregen over de gebruik van het apparaat. Zeer kwetsbare personen mogen het apparaat niet gebruiken mits ze onder voortdurend toezicht staan.

- Als het stroomsnoer beschadigd is, moet deze om gevaar te voorkomen vervangen worden door de fabrikant, zijn serviceagent of soortgelijk gekwalificeerd persoon.
- Dit apparaat is niet bedoeld voor gebruik op hoogtes van boven de 2000 m.

Om aantasting van voedsel te voorkomen, dient u de volgende instructies in acht te nemen:

- Het langere perioden openen van de deur kan een aanzienlijke temperatuurstijging veroorzaken in de schappen van het apparaat.
- Reinig oppervlakken die in contact komen met voedsel en toegankelijke afvoersystemen regelmatig.
- Bewaar rauw vlees en vis in geschikte schalen in de koelkast, zodat deze niet in contact komen met ander voedsel of hierop kunnen lekken.
- Vriesvakken met twee sterren zijn geschikt voor het bewaren van diepvriesproducten, en het bewaren of maken van ijs of ijsblokjes.
- Vriesvakken met een, twee of drie sterren zijn niet geschikt voor het invriezen van vers voedsel.

- Als het koelapparaat lange perioden leegstaat, schakel het dan uit, laat het ontdooien, maak het schoon en droog, en laat de deur open om te voorkomen dat er binnenin het apparaat schimmelvorming optreedt.

1.2 Installatie waarschuwingen

Vóór het uitpakken en manoeuvreren van uw koelkast adviseren wij u om de volgende informatie aandachtig door te nemen:

- Bedrijfsspanning voor uw koelkast is 220-240 V bij 50Hz.
- LET OP! Vervang nooit elektrische onderdelen in uw koelkast. Neem contact op met een erkend technisch servicebedrijf als er iets vervangen moet worden.
- Wij zijn niet aansprakelijk voor schade die voortkomt uit onjuist gebruik.
- Plaats uw koelkast dusdanig dat deze niet aan direct zonlicht wordt blootgesteld.
- Uw apparaat dient minimaal 50 cm van hittebronnen zoals een fornuis, oven en radiator te worden geplaatst en minimaal 5 cm van elektrische ovens.
- Het apparaat mag nooit buitenshuis gebruikt worden of in de regen gezet worden.
- Als uw koelkast naast een diepvriezer wordt geplaatst, moet er minstens 2 cm ruimte tussen hen in zijn om vocht op de buitenkant te voorkomen.
- Aan de bovenkant van uw apparaat is een ruimte van ten minste 150 mm vereist. Niets op uw apparaat plaatsen.

1.3 Veiligheidswaarschuwingen

- Gebruik geen verdeelstopcontacten of verlengsnoeren.
- Gebruik geen stekkeradapter.
- Steek geen beschadigde, gescheurde of oude stekkers in het stopcontact.
- Het snoer niet buigen, uittrekken of beschadigen.
- Als uw stroomsnoer beschadigd is, moet het worden vervangen door een erkend servicebedrijf om iedere vorm van gevaar te voorkomen.
- Dit apparaat is ontworpen voor gebruik door volwassenen, dus laat kinderen niet met het apparaat spelen .

- Breek of schraap het ijs niet met een scherp voorwerp zoals een mes of iets dergelijks.
- Raak de stekker in het stopcontact niet met natte handen aan om elektrocutie te voorkomen!
- Zet geen glazen flessen of frisdrankblikjes in het vriesvak. Flessen of blikjes kunnen ontploffen.
- Zet voor uw veiligheid geen explosieve of ontvlambare materialen in de koelkast. Plaats dranken met een hoger alcoholgehalte met goed gesloten hals verticaal in het koelschap.
- Raak bij het uitnemen van ijs uit het vriesvak het ijs niet aan. Dit kan ijsverbranding en/of sneden veroorzaken.
- Raak bevroren etenswaar niet met natte handen aan! Nuttig geen roomijs of ijsblokjes onmiddellijk nadat u deze uit het diepvriesgedeelte heeft genomen!
- Vries ontdooide levensmiddelen niet opnieuw in. Dit kan gezondheidsproblemen zoals voedselvergiftiging veroorzaken.
- Maak de accessoires in de koelkast tijdens het vervoer vast om schade aan de accessoires te voorkomen.

Oude en Defecte Koelkasten

- Als uw koelkast voorzien is van een slot moet u dit slot breken of verwijderen voor u het apparaat weggooit. Dit om te vermijden dat kinderen in de koelkast zouden kunnen geklemd raken en een ongeluk veroorzaken.
- Oude koelkasten en diepvriezers bevatten isolatiemateriaal en koelmiddel met CFK. Om die reden moet u erop letten het milieu niet te beschadigen wanneer u uw oude koelkast weggooit.

EG-Conformiteitsverklaring

We verklaren dat onze producten voldoen aan de van toepassing zijnde Europese richtlijnen, besluiten en voorschriften in de normen waarnaar wordt verwezen.

Afvoeren Van Uw Oude Machine

Dit symbool op het product of op de verpakking geeft aan dat dit product niet mag worden behandeld als huishoudelijk afval. In plaats daarvan moet het worden afgevoerd naar het geschikte verzamelpunt voor de hergebruik van elektrische en elektronische apparatuur. Door de correcte afvalverwerking van dit product helpt u mee aan de voorkoming van potentiële negatieve gevolgen voor het milieu en de menselijke gezondheid, die wel zouden kunnen ontstaan door foutieve afvalverwerking van dit product. Voor meer informatie over het hergebruik van dit product, kunt u contact opnemen met uw plaatselijk stadskantoor, de afvalservice voor huishoudelijk afval of de winkel waar u dit product hebt aangeschaft.



Verpakking En Het Milieu

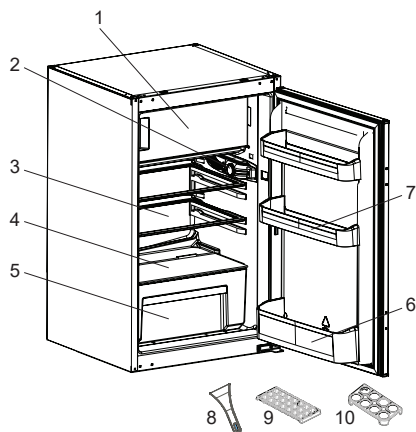
Verpakkingsmateriaal beschermt uw machine tegen beschadiging die tijdens het transport kan optreden. Het verpakkingsmateriaal is milieuvriendelijk en recyclebaar. Het gebruik van gerecycled materiaal vermindert het verbruik van grondstoffen en daarmee de afvalproductie.




Opmerkingen:

- Lees de handleiding zorgvuldig voor u uw apparaat installeert en gebruikt. We zijn niet verantwoordelijk voor schade veroorzaakt door incorrect gebruik.
- Volg alle instructies van uw apparaat en handleiding en bewaar deze handleiding op een veilige plaats om problemen die zich kunnen voordoen in de toekomst op te lossen.
- Dit apparaat wordt geproduceerd voor gebruik thuis en het mag **enkel** binnen in huis en voor de gepreciseerde doeleinden. Het is niet geschikt voor commercieel of algemeen gebruik. Een dergelijk gebruik leidt tot een annulering van de garantie van het apparaat en ons bedrijf is niet verantwoordelijk voor eventuele opgelopen verliezen.
- Dit apparaat wordt geproduceerd voor gebruik in huizen en het is enkel geschikt om etenswaren af te koelen / op te slaan. Het is niet geschikt voor commercieel of algemeen gebruik en/of voor het opslaan van zaken die geen etenswaren zijn. Ons bedrijf is niet verantwoordelijk voor de opgelopen verliezen in andere gevallen.

2 DE ONDERDELEN VAN HET APPARAAT EN DE COMPARTIMENTEN



 Deze presentatie dient enkel als informatie over de onderdelen van het apparaat. Onderdelen kunnen variëren naar gelang het model van het apparaat.

- 1) Vriesgedeelte
- 2) Thermostaat
- 3) Glazen plateau van koelgedeelte
- 4) Glas boven de groentelade
- 5) Groentelade
- 6) Flessenhouder
- 7) Boter- en kaasplank
- 8) Plastic schraper *
- 9) Ijsslade
- 10) Eierhouder

** In sommige modellen*

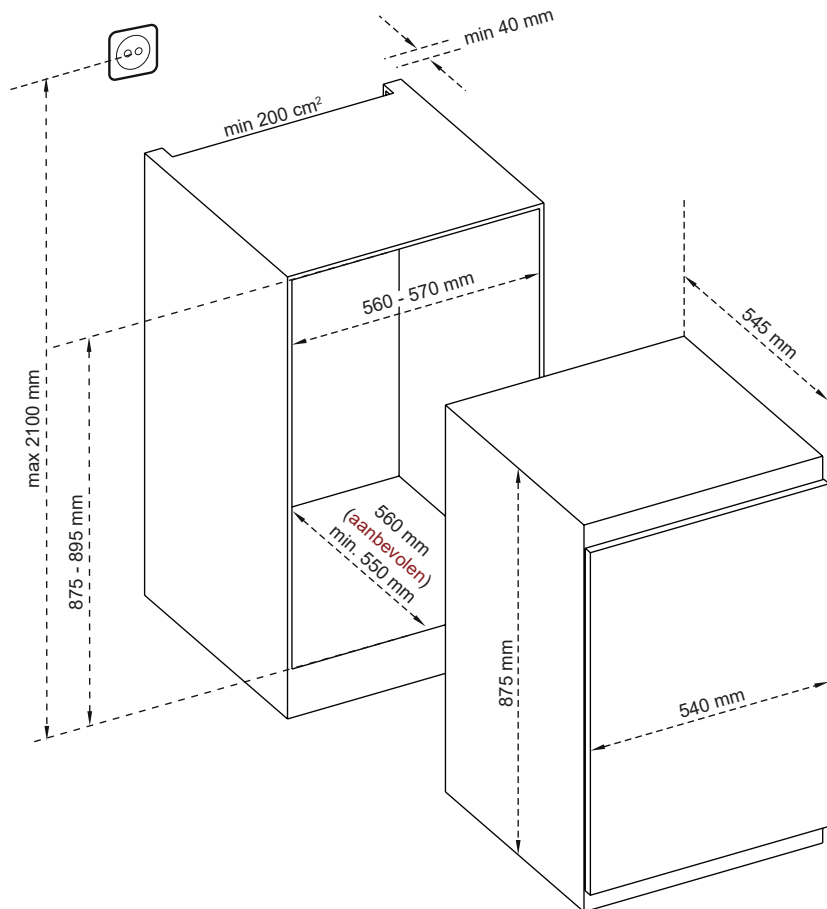
Algemene opmerkingen

Vak voor vers voedsel (koelkast): Het meest efficiënte energiegebruik wordt gegarandeerd als de laden onderin het apparaat zijn geplaatst en de schappen gelijkmatig verdeeld zijn. De stand van de deurschappen is niet van invloed op het energieverbruik.

Diepvriesgedeelte (diepvriezer): Het meest efficiënte energiegebruik wordt gegarandeerd als de laden en bakken zich op de bewaarpositie bevinden.

2.1 Afmetingen

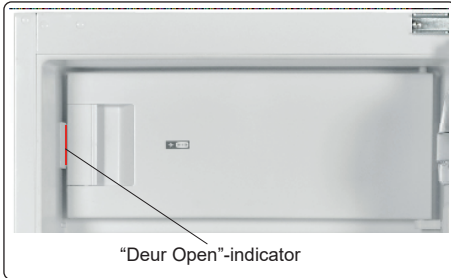
* 875 - 883 voor metalen afdekplaat




3 GEBRUIK VAN HET APPARAAT

"Deur open"-indicator

De "Deur open"-indicator op de grendelschuif geeft aan of de deur al dan niet correct gesloten is.




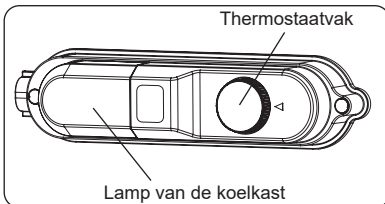
Als de rode indicator zichtbaar is, is de deur nog open. Als de rode indicator niet zichtbaar is, is de deur correct gesloten.

 Denk eraan dat de diepvriesdeur altijd goed gesloten moet worden gehouden. Dat voorkomt dat de voedingswaren in de diepvries zouden ontdoien, dat er te dikke ijslagen kunnen worden gevormd in de diepvries en dat er energie wordt verspild.

3.1. Instelling Thermostaat

De thermostaat regelt automatisch de binnentemperatuur van het koelingscompartiment en het vriezercompartiment. Door de knop van stand 1 naar 5 te draaien wordt de temperatuur kouder.

 **Belangrijke opmerking:** Draai de knop niet voorbij stand 1 want dit zal uw toestel uitschakelen.



Instelling van de thermostaat voor koel- en vriezercompartiment

- Voor opslag op korte termijn van voedsel in het diepvriezercompartiment, u kunt de knop tussen minimum en middelgrote positie plaatsen. (1 - 3)
- Voor opslag op lange termijn van voedsel in het diepvriezercompartiment, u kunt knop middelgrote positie plaatsen. (3 - 4)
- Voor het invriezen van vers voedsel in het diepvriezercompartiment, u kunt de knop tussen maximum positie plaatsen. (5) Dus nadat het voedsel is ingevroren moet u de thermostaat in de vorige stand zetten.

3.2 Waarschuwingen met betrekking tot temperatuur instellingen

- Het wordt afgeraden uw koelkast te gebruiken in omgevingen die kouder zijn dan 10°C in termen van efficiënte.
- Temperatuurveranderingen kunnen optreden **naar gelang** de regelmaat dat de deur wordt geopend en de hoeveelheid etenswaren die wordt bewaard in de koelkast.
- **Zodra de stekker in het stopcontact is gestopt moet de koelkast ononderbroken 24 uur lang de gewenste temperatuur kunnen bereiken.** Open de deuren van uw koelkast niet en plaats geen etenswaren in de koelkast tijdens die periode.
- **Als de eenheid uitgeschakeld of afgesloten is, u moet minstens 5 minuten toestaan alvorens of hergestopt de eenheid opnieuw te beginnen om niet te om de compressor te beschadigen.**
- **Uw koelkast kan worden gebruikt in de omgevingstemperatuur die wordt vermeld op het informatie label. Voor een efficiënte koeling raden wij u af om uw koelkast te gebruiken die buiten de vermelde temperatuurwaarden valt.**
- Dit apparaat is ontworpen voor gebruik bij een omgevingstemperatuur tussen de 16°C - 32°C.

Klimaatklasse en betekenis:

T (tropisch): Dit koelapparaat is bedoeld voor gebruik bij omgevingstemperaturen van 16 °C tot 43 °C.

ST (subtropisch): Dit koelapparaat is bedoeld voor gebruik bij omgevingstemperaturen van 16 °C tot 38 °C.

M (matig): Dit koelapparaat is bedoeld voor gebruik bij omgevingstemperaturen van 16 °C tot 32 °C.

UM (uitgebreid matig): Dit koelapparaat is bedoeld voor gebruik bij omgevingstemperaturen van 10 °C tot 32 °C.

3.3 Accessoires

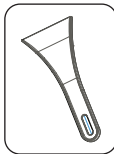
3.3.1 Ijsblok bakje

- Vul het ijsblok bakje met water en plaats deze in het vriezercompartment.
- Zodra het water helemaal is veranderd in ijs kunt u het bakje buigen zoals hieronder getoond, om de ijsklontjes te kunnen pakken.



3.3.2 Plastic schraper (In sommige modellen)

Na een bepaalde periode zal vorst opbouwen in bepaalde zones in het vriesvak. De geaccumuleerde vorst in het vriesvak moet regelmatig worden verwijderd. Gebruik hiervoor, indien noodzakelijk, de geleverde plastic schraper. Gebruik geen scherpe metalen voorwerpen tijdens deze bediening. Hierdoor kunt u namelijk het koelcircuit doorboren en onherstelbare schade aan het apparaat berokkenen.



4 HET PLAATSEN VAN LEVENSMIDDELEN

4.1 Koelkast compartiment

- Om vochtigheid en dus een toename van vorst te verminderen mag u nooit vloeistoffen in onbedekte containers in de koelkast plaatsen. Vorst concentreert zich gewoonlijk op de koudste delen van de verdampers en na verloop van tijd zult u vaker moeten ontdooien.
 - Plaats nooit warme etenswaren in de koelkast. Warme etenswaren moet u eerst laten afkoelen tot kamertemperatuur en moeten daarna zodanig geplaatst worden dat er voldoende luchtcirculatie mogelijk is in het koelkast compartiment.
 - Niets mag in aanraking komen met de achterwand want dit veroorzaakt vorst en de verpakkingen kunnen aan de achterwand plakken. Open de deur van de koelkast niet te vaak.
 - Rangschik het vlees en gereinigde vis (verpakt in pakketten of plastic folie) die u binnen 1-2 dagen zult gebruiken in de onderste sectie van de koelkast (boven de groentelade) want dit is de koudste sectie en dit garandeert de beste opslagvoorwaarden.
 - U kunt groenten en fruit in het groentevak plaatsen zonder verpakking.
- NIET DOEN:** Geen aardappelen, uien of knoflook in de koelkast bewaren. Vlees dat niet werd bereid na ontdooien niet weer invriezen.
- Voor normale werkomstandigheden is het voldoende de temperatuur van uw koelkast in te stellen op +4 °C.
 - De temperatuur van het koelvak moet zich bevinden tussen de 0 en 8 °C, vers voedsel onder de 0 °C bevriest en rottende bacteriën vermenigvuldigen zich boven de 8 °C en bederven het voedsel.
 - Zet heet voedsel niet direct in de koelkast, maar wacht tot tot het afkoelt. Heet voedsel verhoogt de

temperatuur van uw koelkast en kan voedselvergiftiging veroorzaken en uw voedsel onnodig laten bederven.

- Vlees, vis e.d. dient te worden bewaard in het koelervak van voedsel en het groentevak heeft de voorkeur voor groenten (indien aanwezig).
- Om kruisbesmetting te voorkomen, moeten vleesproducten en fruit/groenten niet samen bewaard worden.
- Voedsel dient in gesloten containers of afgedekt in de koelkast te worden geplaatst om vorming van vocht en geuren te voorkomen.

Hieronder vindt u een aantal suggesties bij het plaatsen en opslaan van uw etenswaren in de koelkast.

Etenswaren	Bewaartijd	Waar plaatsen in de koelkast
Groenten en fruit	1 week	Groente lade
Vlees en vis	2 - 3 Dagen	Verpakken in plastic folie of in plastic zakken/bakjes en plaats het op een van de plateau's
Verse kaas	3 - 4 Dagen	Op de daarvoor bestemde plateau
Boter en margarine	1 week	Op de daarvoor bestemde plateau
Producten in flessen Melk en Yoghurt	Tot de vervaldatum aanbevolen door de producent	Op de daarvoor bestemde plateau
Eieren	1 maand	In de eierenhouder
Bereide etenswaren	2 Dagen	Alle plateau's

4.2 Vriesvakken

- Gebruik het diepvriesgedeelte van uw koelkast voor het langdurig bewaren van ingevroren levensmiddelen en het maken van ijs.
- Het verdient aanbeveling om de thermostaat op niveau 5 te houden.
- Zorg ervoor dat in te vriezen levensmiddelen niet tegen reeds

ingevroren levensmiddelen aan komen te liggen.

- U dient de levensmiddelen die u wilt invriezen (vlees, stukjes vlees, vis enz.) te verdelen in porties die u per keer kunt consumeren.
- Vries ontdooid levensmiddelen niet opnieuw in. Dit kan uw gezondheid in gevaar brengen omdat het problemen als voedselvergiftiging kan veroorzaken.
- Plaats geen warme maaltijden in uw diepvriezer voordat deze zijn afgekoeld. Hierdoor kunnen reeds ingevroren levensmiddelen in de diepvriezer gaan ontdoien en rotten.
- Indien u reeds ingevroren levensmiddelen koopt, controleer of deze onder de juiste omstandigheden werden ingevroren en of de verpakking niet is beschadigd.
- Bij het bewaren van ingevroren levensmiddelen, dient u de bewaaromstandigheden zoals vermeld op de verpakking in acht te nemen. Mochten er geen instructies vermeld staan, dan dienen de levensmiddelen binnen de korst mogelijke tijdsperiode geconsumeerd te worden.
- Bevroren levensmiddelen dienen te worden verplaatst voordat ze ontdoien en dienen zo snel mogelijk in de snelvrieslade te worden geplaatst. Gebruik de deurschappen niet voor het invriezen.
- Als de verpakking van ingevroren levensmiddelen vochtig is geworden of een geur afgeeft, kan het zijn dat deze producten onder ongunstige omstandigheden werden opgeslagen en zijn gaan rotten. Deze soort levensmiddelen niet consumeren!
- De bewaartermijn van ingevroren levensmiddelen is afhankelijk van de omgevingstemperatuur, het frequent openen en sluiten van de deuren, thermostaatinstellingen, soort levensmiddel en de tijdsduur die is verstreken sinds de levensmiddelen werden gekocht tot het moment waar

op ze in de vriezer werden geplaatst.
Neem altijd de aanwijzingen op de verpakking in acht en overschrijd nooit de bewaartermijn.

Belangrijk:

- Eenmaal ontdooide diepvriesproducten dienen te worden bereid zoals verse levensmiddelen. Indien deze ontdooide levensmiddelen niet kunnen worden bereid, mogen ze NIET meer worden ingevroren.
- De smaak van een aantal kruiden in bereide schotels (anijs, basilicum, waterkers, azijn, kruidenmix, gember, knoflook, ui, mosterd, tijm, marjolein, zwarte peper, enz.) verandert en versterkt bij langdurige opslag. Daarom adviseren wij u om een kleine hoeveelheid kruiden toe te voegen als u van plan bent om het gerecht in te vriezen, of u kunt eventueel de gewenste kruiden achteraf na ontdooiing toevoegen.
- De opslagperiode van voedsel is afhankelijk van de gebruikte olie. Geschikte oliën zijn margarine, kalfsvet, olijfolie en boter en ongeschikte oliën zijn pinda-olie en varkensvet.
- Voedsel in vloeibare vorm dient in plastic bekertjes te worden ingevroren en het andere voedsel in plastic folie of zakken.



Hieronder vindt u een aantal suggesties bij het plaatsen en opslaan van uw etenswaren in de vriezer.

Vlees en vis	Vorbereiden	Maximale bewaarperiode (maand)
Biefstuk	Verpakt in folie	6 - 8
Lamsvlees	Verpakt in folie	6 - 8
Kalfsbraadstuk	Verpakt in folie	6 - 8
Kalfsvlees in blokjes	In kleine stukjes	6 - 8
Lamsvlees in blokjes	In stukjes	4 - 8
Gehakt	Verpakt zonder kruiden	1 - 3
Orgaanvlees (in stukjes)	In stukjes	1 - 3
Bolognese-worst/salami	Moet worden verpakt zelfs als er een vel omzit	
Kip en kalkoen	Verpakt in folie	4 - 6
Gans en eend	Verpakt in folie	4 - 6
Hert, konijn, wildzwijn	In porties van 2,5 kg en als filets	6 - 8
Zoetwatervissen (Zalm, Karper, Crane, Siluroidea)		2
Magere vis; zeebaars, tarbot, tong	Ontdoe de vis van de ingewanden en schubben, was en droog het; snij indien nodig de staart en kop af.	4
Vette vis (tonijn, makreel, zeeforel, ansjovis)		2 - 4
Schelpdieren	Schoongemaakt en in zakken	4 - 6
Kaviaar	In zijn verpakking, in aluminium of plastic bakje	2 - 3
Slakken	In zout water, in aluminium of plastic bakje	3



Opmerking: Ingevroren vlees dient als vers vlees te worden bereid nadat het werd ontdooid. Als vlees niet is bereid na te zijn ontdooid, mag dit nooit opnieuw worden ingevroren.


Groenten en fruit	Vorbereiden	Maximale bewaarperiode (maanden)
Snijbonen en bonen	Was en snij ze in kleine stukjes en kook ze in water	10 - 13
Bonen	Dop en was ze en kook ze in water	12
Kool	Was en kook in water	6 - 8
Wortel	Was en snij in stukjes en kook in water	12
Paprika	Snij de steel eraf, snij doormidden en verwijder de zaadlijsten en kook in water	8 - 10
Spinazie	Was en kook in water	6 - 9
Bloemkool	Haal het blad eraf, snij het hart in stukjes en laat het even staan in water met wat citroensap	10 - 12
Aubergine	Wassen en in stukken van 2 cm snijden	10 - 12
Maïs	Was en verpak met steel of als mad'skolf	12
Appel en peer	Schil en snij in plakken	8 - 10
Abrikoos en perzik	Snij doormidden en verwijder de pit	4 - 6
Aardbeien en bosbessen	Voeg 10% suiker aan het bakje toe	12


Pruimen, kersen, zure bessen	Wassen en de steeltjes verwijderen	8 - 12
------------------------------	------------------------------------	--------


	Maximale bewaarperiode (maanden)	Ontdooiperiode op kamertemperatuur (in uren)	Ontdooiperiode in oven (in minuten)
Brood	4 - 6	2 - 3	4-5 (220-225 °C)
Koekjes	3 - 6	1 - 1,5	5-8 (190-200 °C)
Gebak	1 - 3	2 - 3	5-10 (200-225 °C)
Taart	1 - 1,5	3 - 4	5-8 (190-200 °C)
Filodeeg	2 - 3	1 - 1,5	5-8 (190-200 °C)
Pizza	2 - 3	2 - 4	15-20 (200 °C)

Zuivelproducten	Vorbereiden	Maximale bewaarperiode (maanden)	Bewaarwijze
Pak (homogene) melk	In eigen verpakking	2 - 3	Pure melk - In eigen verpakking
Kaas, met uitzondering van witte kaas	In plakken	6 - 8	Oorspronkelijke verpakking kan gebruikt worden voor korte bewaarperiode. Voor langere perioden moet het in folie worden gewikkeld.
Boter, margarine	In eigen verpakking	6	

5 SCHOONMAKEN EN ONDERHOUD

 Zorg dat de koelkast van het stroomnet is afgekoppeld voordat u deze schoonmaakt.

 Giet geen water in en over uw koelkast.

 Verwijder de onderdelen één voor één en reinig met zeepwater. Was ze niet in de vaatwasmachine.

- U kunt de binnen- en buitenzijden van het apparaat reinigen met een zachte doek of een spons en warm zeepwater.
- Gebruik voor reiniging nooit brandbare, explosieve of bijtende middelen zoals verdunner, gas of zuur.

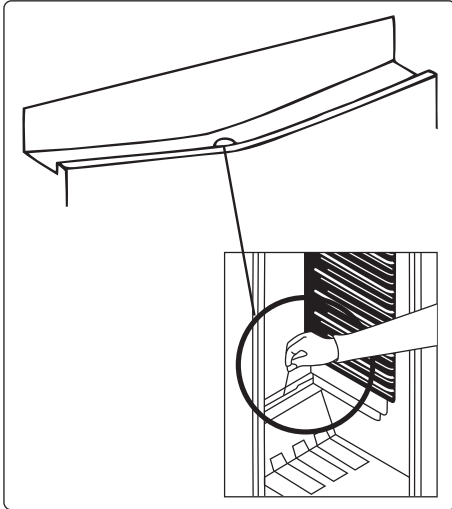
- De condensator (het zwarte onderdeel op de achterkant met zwarte vinnen) moet minstens eenmaal per jaar worden gereinigd met een stofzuiger of een droge borstel. Dit helpt uw vriezer efficiënter te werken en laat u energie besparen.



De stekker moet hiervoor uit het stopcontact worden verwijderd.

5.1 Ontdooien

Koelingscompartiment



- Het koelingscompartiment wordt tijdens bedrijf automatisch ontdooid. Het dooiwater wordt opgevangen door de verdampingslade en wordt automatisch verdampt.
- De verdampingslade en de aftapopening voor het dooiwater moeten periodiek worden gereinigd met de ontdooi-aftapplug om te voorkomen dat op de bodem van de koelkast zich water verzamelt in plaats van dat dit wegvloeit.
- U kunt ook ½ glas van de wateraftapopening naar binnen gieten om de binnenzijde te reinigen.

Vriezercompartiment


Het ijs, dat de planken in het vriezercompartiment bedekt, moet periodiek worden verwijderd (gebruik de meegeleverde kunststof schraper). Het vriezercompartiment moet op dezelfde wijze als het koelingscompartiment worden gereinigd. Ten minste tweemaal per jaar moet het compartiment worden ontdooid.

Dit doet u als volgt ;

- De dag voordat u het compartiment ontdooit, moet u de thermostaatwijzer in de stand "5" zetten om het voedsel maximaal in te vriezen.

- Wikkel ingevroren voedsel in verschillende lagen papier en leg het op een koele plaats voordat u begint het compartiment te ontdooien. De onvermijdelijke stijging van temperatuur verkort de bewaartijd. Vergeet niet dit voedsel binnen niet al te lange tijd te consumeren.
- Zet de thermostaatknop in de stand "•" of haal de stekker uit het stopcontact; laat de deur openstaan totdat het compartiment volledig ontdooid is.
- U kunt het ontdooiproces versnellen door een of meer bakken warm water in het vriezercompartiment te zetten.
- Wrijf het binnenste gedeelte van het compartiment zorgvuldig droog en stel de thermostaatknop in de stand MAX.


Vervangen van ledverlichting

-  Indien uw koelkast voorzien is van ledverlichting dient u contact op te nemen met de helpdesk. Deze mag namelijk uitsluitend worden vervangen door erkend personeel.

6 TRANSPORT EN VERANDERING VAN PLAATS

6.1 Transport en verandering van de installatieplaats

- De originele verpakkingen en schuim kan worden bewaard voor transport achteraf (indien gewenst).
- U moet uw koelkast vastmaken met een dikke verpakking, banden of sterke touwen en de instructies op de verpakking volgen voor transport als u de koelkast opnieuw wilt transporteren.
- Verwijder de bewegende onderdelen (laden, accessoires, groentevakken, etc.) of bevestig ze in de koelkast tegen schokken met banden tijdens de herplaatsing of het transport.

 U moet de koelkast steeds rechtop dragen.

7 VOORDAT U EEN BEROEP DOET OP DE KLANTENSERVICE

Als uw koelkast niet goed werkt, dan is dit mogelijk te wijten aan een klein probleem. Controleer eerst de volgende punten voordat u met een elektricien contact opneemt. Dat bespaart u tijd en geld.

Uw koelkast doet het niet, controleer of:

- De stroom niet uitgevallen is;
- De hoofdschakelaar ingeschakeld is;
- De thermostaat niet in de stand “•” staat;
- De wandcontactdoos OK is; dit controleert u door daarop een ander apparaat aan te sluiten waarvan u weet dat het goed werkt;

Wat moet ik doen als de koelkast niet naar behoren functioneert? Controleer of ;

- Het apparaat niet overladen is met producten;
- De deuren perfect gesloten zijn;
- Er geen stof is op de condensor;
- Er aan de achterzijde genoeg ruimte is;

Normale geluiden;

Krakend (krakend ijs) geluid:

- Tijdens automatisch ontdooien.
- Wanneer het apparaat gekoeld of verwarmd wordt (door uitzetting van het materiaal van het apparaat).

Kort kraken: Te horen wanneer de thermostaat de compressor aan-uit schakelt.

Compressor geluid (normaal motor geluid): Dit geluid betekent dat de compressor naar behoren werkt. De compressor kan kort meer geluid maken wanneer deze ingeschakeld wordt.

Bubbelend geluid en spetteren: Dit geluid is het gevolg van de stroom koelvloeistof in de leidingen van het systeem.

Stromend water geluid: Normaal geluid van stromend water naar de opvangbak voor verdamping tijdens

ontdooien. Dit geluid kan gehoord worden tijdens ontdooien.

Indien vocht zich opbouwt in de koelkast;

- Zijn de etenswaren correct verpakt? Zijn de houders goed afgedroogd voordat deze in de koelkast werden geplaatst?
- **Worden de deuren** van de koelkast vaak geopend? Wanneer de deur geopend wordt, komt het vocht in de lucht van de kamer in de koelkast. In het bijzonder in kamers met een te hoge luchtvochtigheid, hoe vaker de deur geopend wordt hoe sneller de vocht opbouw is.
- Het is normaal dat waterdruppels gevormd worden op de achterwand volgens op het automatische ontdooiproces. (In statische modellen)

Indien de deuren niet correct geopend en gesloten worden;

- Belemmeren de verpakkingen van etenswaren de sluiting van de deur?
- Zijn de deuren, mandjes en ijsbak goed geplaatst?
- Zijn de rubbers van de deuren stuk of gescheurd?
- Staat uw koelkast waterpas?

Indien de randen van de behuizing waar het deurrubber contact maakt warm zijn;

In het bijzonder 's zomers (warm weer), kan het oppervlakken waar het rubber contact maakt warm worden tijdens de werking van de compressor, dit is normaal.

Als er water aanwezig is in het onderste gedeelte van de koelkast ;

Controleer dan of ;

De afvoeropening voor het dooiwater niet verstopt is (gebruik de ontdooi-aftapplug om de afvoeropening te reinigen).

Belangrijke Opmerkingen:

- **Als de eenheid uitgeschakeld of afgesloten is, u moet minstens 5 minuten toestaan alvorens of hergestopt de eenheid opnieuw te beginnen om niet te om de compressor te beschadigen.**

- De koeleenheid van uw koelkast is verborgen in de achterwand. Hierdoor kunnen waterdruppels of ijs ontstaan op de achterkant van uw koelkast door werking van de compressor op specifieke intervallen. Dit is normaal. Het is niet nodig uw vriezer te ontdooien tenzij de opbouw van ijs overmatig is.
- Indien u de koelkast gedurende langere tijd niet gebruikt (bijv. zomervakantie) trek deze uit het stopcontact. Maak uw koelkast conform hoofdstuk 4 schoon en laat de deur open om vocht en geurtjes tegen te gaan.
- Het apparaat dat u gekocht heeft is ontworpen voor huishoudelijk gebruik en kan alleen thuis en voor aangegeven doeleinden gebruikt worden. Het is niet geschikt voor commercieel of algemeen gebruik. Indien de consument het apparaat gebruikt op een manier niet in overeenstemming met deze functies, benadrukken wij dat de fabrikant noch de dealer verantwoordelijk is voor reparaties en storingen binnen de garantietermijn.
- Indien het probleem **blijft** nadat u de instructies hierboven heeft opgevolgd, neem contact op met een geautoriseerde service verlener.

8 TIPS OM ENERGIE TE BESPAREN

- 1 Installeer het apparaat in een koele, goed geventileerde ruimte, maar niet in direct zonlicht en niet in de buurt van een warmtebron (radiator, fornuis, etc.). Zo niet moet u een isolerende plaat gebruiken.
- 2 Laat warme dranken en etenswaren eerst afkoelen buiten het apparaat.
- 3 Plaat ingevroren etenswaren in het koelvak. De lage temperatuur van de ingevroren etenswaren zullen het koelvak helpen koel houden wanneer ze ontdooien. Zo bespaart u energie. Als u de ingevroren etenswaren gewoon buiten de koelkast plaatst, verliest u energie.
- 4 Wanneer u dranken in de koelkast plaatst, moet u ze afdekken. Zo niet verhoogt de vochtigheid in het apparaat. Dit verhoogt de werkingstijd. Afdekken van dranken helpt de geur en smaak te bewaren.
- 5 Wanneer u etenswaren en dranken plaatst, moet u de deur van het apparaat zo kort mogelijk openen.
- 6 Houd de deksels gesloten van andere vakken met verschillende temperaturen in het apparaat (groentevak, koeler, ...etc).
- 7 De pakking van de deur moet schoon en vouwbaar zijn. Vervang de pakkingen indien ze slijtage vertonen.

1 ISTRUZIONI DI SICUREZZA

1.1 Avvertenze Generali di Sicurezza

Leggere con attenzione il presente manuale utente.

⚠ATTENZIONE: Evitare di ostruire le aperture di ventilazione presenti sul mobile dell'apparecchio o nella struttura di incasso.

⚠ATTENZIONE: Non usare dispositivi meccanici o altri mezzi per accelerare il processo di sbrinamento, eccetto quelli raccomandati dal produttore.

⚠ATTENZIONE: Non usare apparecchiature elettriche (es. apparecchi di riscaldamento, produttori di ghiaccio elettrici ecc.) all'interno di questo apparecchio, salvo siano del tipo raccomandato dal produttore.

⚠ATTENZIONE: Non sbrinare o pulire mai l'apparecchio con una pulitrice a vapore. Il vapore può raggiungere parti elettriche e provocare un cortocircuito con rischio di folgorazioni.

⚠ATTENZIONE: Fare attenzione a non arrecare danni al circuito refrigerante. Non utilizzare oggetti appuntiti o affilati per rimuovere la brina o il ghiaccio. È possibile danneggiare i raccordi del circuito refrigerante, **cosa** che rende inservibile l'apparecchio. Il gas fuoriuscendo per effetto della pressione, può provocare irritazioni agli occhi.

⚠ATTENZIONE: Quando si posiziona l'apparecchio, assicurarsi che il cavo di alimentazione non sia bloccato o danneggiato.

⚠ATTENZIONE: Non posizionare prese di corrente portatili multiple o alimentatori di corrente portatili multipli sul retro dell'apparecchio.

⚠ATTENZIONE: Al fine di evitare qualunque pericolo derivante da un posizionamento instabile dell'apparecchio, esso deve essere fissato secondo le istruzioni.

⚠ Se il vostro apparecchio utilizza R600a come refrigerante (questa informazione è disponibile sulla targhetta presente sull'apparecchio), occorre prestare attenzione durante il trasporto e l'installazione per evitare danni ai componenti del sistema di refrigerazione. R600a è un gas naturale e non nocivo per l'ambiente, ma è esplosivo. Nell'eventualità di perdite dovute al danneggiamento dei componenti del sistema di refrigerazione, scollegare l'apparecchio dalla corrente elettrica, allontanarlo da fiamme libere o sorgenti di calore e ventilare per alcuni minuti l'ambiente dove è installato l'apparecchio.

- Durante il trasporto e il posizionamento dell'apparecchio, fare attenzione a non danneggiare il circuito del gas refrigerante.
- Non conservare all'interno dell'apparecchio sostanze esplosive, come bombolette spray contenenti propellente infiammabile.

- L'apparecchio è destinato all'uso in abitazioni private e in altri contesti di tipo domestico quali:
 - zone cucina per il personale di punti vendita, uffici e altri ambienti lavorativi;
 - utilizzo presso agriturismi e da parte dei clienti di alberghi, motel e altre strutture di tipo residenziale;
 - bed and breakfast e strutture analoghe;
 - catering e applicazioni simili non di vendita al dettaglio.
- Se la spina dell'apparecchio non corrisponde alla presa elettrica, la spina deve essere sostituita da un servizio di assistenza autorizzato o da un elettricista qualificato al fine di evitare ogni rischio.
- Il cavo di alimentazione dell'apparecchio è collegato ad una speciale spina dotata di messa a terra. Tale spina deve essere usata con una presa da 16 ampere con opportuna messa a terra. Se la vostra abitazione non dispone di tale presa, abbiate cura di farne installare una da un elettricista qualificato.
- Questo apparecchio può essere utilizzato solo da adulti istruiti sull'uso sicuro dell'apparecchio e in grado di comprendere i rischi connessi. I bambini non devono giocare con l'apparecchio. La pulizia e la manutenzione dell'apparecchio devono essere eseguite da adulti.
- Tenere gli animali domestici lontani dall'apparecchio.

- Non lasciare i bambini non sorvegliati vicino all'apparecchio.
- I bambini dai 3 agli 8 anni possono caricare e scaricare dispositivi di refrigerazione. Non ci si aspetta che i bambini eseguano pulizia o manutenzione del dispositivo, non ci si aspetta che i bambini molto piccoli (0-3 anni) facciano uso dei dispositivi, non ci si aspetta che i bambini piccoli (3-8 anni) usino i dispositivi in modo sicuro a meno che non vengano sorvegliati costantemente, i bambini più grandi (8-14 anni) e le persone vulnerabili sono in grado di usare i dispositivi dopo aver ricevuto appropriata supervisione o istruzioni sull'utilizzo dei dispositivi. Non ci si aspetta che le persone molto vulnerabili usino i dispositivi in modo sicuro prima di aver ricevuto sorveglianza continua.
- Tenere il materiale di imballaggio lontano dalla portata dei bambini.
- Non permettere ai bambini di sedersi, arrampicarsi sull'apparecchio o entrare all'interno di quest'ultimo.
- Prestare attenzione durante il trasporto dell'apparecchio poiché è pesante. È necessario valutare il numero di persone e le attrezzature necessarie. Indossare sempre guanti protettivi.
- Se il cavo di alimentazione è danneggiato, deve essere sostituito da personale qualificato al fine di evitare ogni rischio.
- Non posizionare l'apparecchio sopra il cavo di alimentazione.

- L'apparecchio non è progettato per l'uso ad altitudini superiori a 2.000 m.
- Scollegare l'apparecchio dalla rete elettrica quando non viene utilizzato per un lungo periodo e prima dell'installazione, manutenzione, pulizia e riparazione, diversamente potrebbe danneggiarsi.
- Prima dell'installazione, verificare se l'apparecchio presenta danni visibili. Non installare o utilizzare mai un apparecchio danneggiato.
- L'utilizzo di parti di ricambio e accessori di altre marche è rischioso e potrebbe provocare lesioni, danni materiali o danni all'apparecchio. Per ragioni di sicurezza, utilizzare solo parti di ricambio e accessori originali
- Il produttore non si assume alcuna responsabilità per le conseguenze di eventuali errori causati da fattori sui quali non ha controllo. Inoltre il produttore non assicura la validità e correttezza delle informazioni fornite se al software e all'apparecchiatura citati in questo manuale sono state apportate modifiche da parte di terze persone.
- La riparazione dell'apparecchio dovrà essere effettuata esclusivamente da un servizio di assistenza tecnica autorizzato. Il produttore non può essere ritenuto responsabile per danni derivanti da errata installazione o riparazione effettuata da un centro di assistenza non autorizzato.
- Nell'impegno di migliorare costantemente la qualità dei propri prodotti, il produttore si riserva la facoltà

di variare in qualsiasi momento le informazioni del presente manuale.

- Nel caso il significato di una o più informazioni di questo manuale non fosse comprensibile, l'utente deve contattare il rivenditore o il produttore per i chiarimenti necessari prima di effettuare qualsiasi operazione.
- L'apparecchio è schermato contro i radiodisturbi secondo la direttiva CE.
- Questo apparecchio è conforme alle pertinenti norme di sicurezza per gli apparecchi elettrici.

Per evitare la contaminazione degli alimenti, si prega di seguire le seguenti istruzioni:

- L'apertura prolungata dello sportello può causare un significativo aumento della temperatura nei vani del dispositivo.
- Pulire regolarmente le superfici che possono venire a contatto con gli alimenti ed i sistemi di drenaggio accessibili.
- Conservare la carne ed il pesce crudi in appositi contenitori in frigorifero, in modo che non vengano a contatto con altri alimenti o che non colino su di essi.
- Gli scomparti per surgelati a due stelle sono adatti per la conservazione di alimenti precedentemente congelati, la conservazione o la produzione di gelato e la produzione di cubetti di ghiaccio.

- Gli scomparti a una, due e tre stelle non sono adatti al congelamento di alimenti freschi.
- Se il dispositivo di refrigerazione viene lasciato vuoto per lunghi periodi, spegnere, sbrinare, **pulire**, asciugare e lasciare la porta aperta per evitare la formazione di muffa al suo interno.

1.2 Avvertenze di installazione

Prima di usare per la prima volta l'apparecchio, prestare attenzione ai seguenti punti:

- La tensione di funzionamento dell'apparecchio è 220-240 V a 50 Hz.
- Al termine dell'installazione la spina deve rimanere accessibile in qualsiasi momento.
- L'apparecchio può emanare odore quando viene acceso la prima volta. Ciò è normale e l'odore svanirà quando l'apparecchio inizierà a raffreddarsi.
- Prima di collegare l'apparecchio alla presa, assicurarsi che le informazioni sulla targhetta identificativa (tensione e potenza assorbita) siano compatibili con le caratteristiche della rete elettrica. Per ogni dubbio, consultare un elettricista qualificato.
- Inserire la spina in una presa dotata di un'efficace connessione a terra. Se la presa non dispone di messa a terra o la spina non si adatta perfettamente alla presa, si raccomanda di richiedere l'assistenza di un elettricista qualificato.
- L'apparecchio deve essere collegato ad una presa correttamente installata e protetta da un interruttore di sicurezza. Il tipo di alimentazione (CA) e la tensione di rete del luogo di utilizzo devono essere compatibili con i dettagli riportati sulla targhetta identificativa del prodotto (la targhetta identificativa si trova all'interno dell'apparecchio, sulla sinistra).
- Il produttore declina ogni responsabilità per danni derivanti da utilizzo con messa a terra inadeguata.
- L'apparecchio non deve essere alimentato da un dispositivo di commutazione esterno, ad esempio un timer, o collegato a un circuito che viene regolarmente acceso e spento da un dispositivo esterno.
- Scollegare l'apparecchio dalla rete elettrica quando non viene utilizzato per un lungo periodo e prima dell'installazione, manutenzione, pulizia

e riparazione, diversamente potrebbe danneggiarsi.

- Collocare l'apparecchio in posizione non esposta alla luce solare diretta.
- L'apparecchio non deve mai essere usato all'esterno o esposto alla pioggia.
- L'apparecchio deve essere collocato ad almeno 50 cm da fornelli, forni a gas e sorgenti di calore, e ad almeno 5 cm da forni elettrici.
- Se l'apparecchio è posizionato accanto a un congelatore, occorre mantenere una distanza di almeno 2 cm fra gli apparecchi, per impedire la formazione di condensa sulla superficie esterna.
- Non coprire la struttura o la parte superiore dell'apparecchio con panno o tessuto, anche leggero. Ciò peggiora le prestazioni dell'apparecchio.
- Al di sopra dell'apparecchio deve essere presente uno spazio libero di almeno 150 mm. Non collocare nulla sopra l'apparecchio
- Pulire completamente l'apparecchio prima dell'uso (vedere: Pulizia e Manutenzione).
- Prima di utilizzare l'apparecchio, passare su tutti i componenti un panno imbevuto di una soluzione ottenuta sciogliendo in una bacinella di acqua tiepida un cucchiaino da tè di bicarbonato di sodio. Sciacquare poi con acqua pulita e asciugare. Dopo la pulizia, rimettere tutti i componenti all'interno dell'apparecchio.
- La procedura di installazione all'interno di cucine componibili è descritta nel manuale di installazione. Il prodotto è progettato per essere usato solamente in cucine componibili adatte.

1.3 Durante l'uso

- Non connettere l'apparecchio alla rete elettrica mediante prolunghe, prese multiple o adattatori.
- Non utilizzare spine danneggiate, lacerate o vecchie.
- Non tirare, piegare o danneggiare il cavo di alimentazione.

- Non utilizzare adattatori.
- Questo apparecchio può essere utilizzato solo da adulti istruiti sull'uso sicuro dell'apparecchio e in grado di comprendere i rischi connessi. I bambini non devono giocare con l'apparecchio o appendersi alla porta. La pulizia e la manutenzione dell'apparecchio devono essere eseguite da adulti.
- Non toccare mai il cavo di alimentazione o la spina con le mani bagnate. Scollegare l'apparecchio dalla rete elettrica afferrando la spina (non il cavo) per staccarla dalla presa elettrica. Questi comportamenti possono causare cortocircuiti o folgorazioni elettriche.
- Non usare impropriamente lo zoccolo, i cassetti estraibili, le porte ecc. quale punto di appoggio o come sostegno.
- Evitare che olii o grassi imbrattino parti plastiche o le guarnizioni delle porte. I grassi aggrediscono il materiale plastico e la guarnizione della porta diventa fragile e porosa.
- Non collocare bottiglie in vetro o lattine nello scomparto congelatore, per evitare che scoppino in seguito al congelamento del contenuto.
- Non collocare materiali esplosivi o infiammabili all'interno dell'apparecchio. Sistemare le bevande con elevato contenuto alcolico in posizione verticale nello scomparto frigorifero, assicurandosi che siano ermeticamente chiuse.
- Durante la rimozione del ghiaccio dallo scomparto congelatore, evitare di toccarlo. Il ghiaccio può provocare ustioni da gelo e/o tagli.
- Non toccare alimenti congelati con le mani bagnate. Non ingerire gelati o cubetti di ghiaccio immediatamente dopo averli estratti dallo scomparto congelatore.
- Non congelare nuovamente gli alimenti scongelati. Ciò può causare problemi di salute, come intossicazioni alimentari.

Apparecchi vecchi e non più funzionanti

- Se il vostro vecchio apparecchio è dotato di chiusura meccanica, rompetela o rimuovetela prima di smaltirlo, poiché i bambini possono rimanere intrappolati all'interno e ciò può causare incidenti.
- I vecchi apparecchi contengono materiale isolante e refrigeranti a base di CFC. Prestare quindi attenzione a non danneggiare l'ambiente durante lo smaltimento dei vecchi apparecchi.
- Una volta che un apparecchio ha esaurito la propria vita utile, togliere la spina di alimentazione dalla presa prima di tagliare il cavo di alimentazione.

Dichiarazione di conformità CE

Dichiariamo che i nostri prodotti soddisfano le Direttive, le Decisioni e i Regolamenti Europei applicabili nonché i requisiti elencati nelle norme alle quali si fa riferimento.

Smaltimento responsabile dell'imballaggio e del vecchio apparecchio

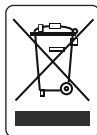
Rimozione dei materiali di imballaggio

I materiali di imballaggio proteggono l'apparecchio da eventuali danni che potrebbero verificarsi durante il trasporto. Si prega di riciclare i materiali di imballaggio. Il materiale riciclato riduce il consumo di materie prime e riduce la produzione di rifiuti.



INFORMAZIONE AGLI UTENTI

Il simbolo del cassonetto barrato riportato sull'apparecchiatura indica che il prodotto, alla fine della sua vita utile, deve essere raccolto separatamente dagli altri rifiuti. L'utente finale dovrà conferire l'apparecchiatura giunta a fine vita agli idonei centri di raccolta differenziata dei rifiuti elettronici ed elettrotecnici, oppure riconsegnarla al rivenditore al momento dell'acquisto di una nuova apparecchiatura di tipo equivalente, in ragione di uno a uno. L'adeguata raccolta differenziata per l'avvio successivo dell'apparecchiatura

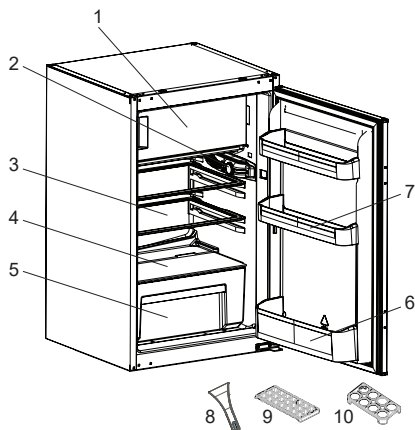


dismessa al riciclaggio, al trattamento o allo smaltimento ambientalmente compatibile contribuisce ad evitare possibili effetti sull'ambiente e sulla salute e favorisce il riciclo dei materiali di cui è composta l'apparecchiatura. Lo smaltimento abusivo del prodotto da parte dell'utente comporta l'applicazione delle sanzioni amministrative di cui al D.Lgs. n. 152 del 3 aprile 2006.

Note:

- Prima di installare e utilizzare l'apparecchio leggere attentamente il manuale di istruzioni. Il produttore declina ogni responsabilità per danni derivanti da uso improprio.
- Seguire tutte le indicazioni riportate sull'apparecchio e sul manuale di istruzioni. Quest'ultimo va conservato in luogo sicuro in modo da poter risolvere eventuali problemi in futuro.
- Questo apparecchio è prodotto per l'uso all'interno di abitazioni private e può essere impiegato solo in contesti domestici e per gli scopi indicati. Esso non è indicato per l'uso comune o commerciale. Tale uso invaliderà la garanzia dell'apparecchio e il produttore declina ogni responsabilità per danni subiti.
- Questo apparecchio è prodotto per l'uso all'interno di abitazioni e destinato esclusivamente alla refrigerazione / conservazione degli alimenti. Esso non è adatto all'uso commerciale o comune e/o per conservare sostanze diverse dagli alimenti. Il produttore declina ogni responsabilità per danni derivanti dalla mancata osservanza di queste indicazioni.

2 DESCRIZIONE DELL'APPARECCHIO



Questa presentazione ha il solo scopo di fornire informazioni riguardo ai componenti dell'apparecchio. I componenti possono variare a seconda del modello.

- 1) Scomparto congelatore
- 2) Termostato
- 3) Ripiano del frigorifero
- 4) Coperchio del cassetto frutta e verdura
- 5) Cassetto frutta e verdura
- 6) Ripiano portabottiglie
- 7) Ripiani della porta
- 8) Raschietto in plastica per il ghiaccio *
- 9) Vaschetta per il ghiaccio
- 10) Portauova

* In alcuni modelli

Note generali:

Scomparto alimenti freschi (frigorifero):

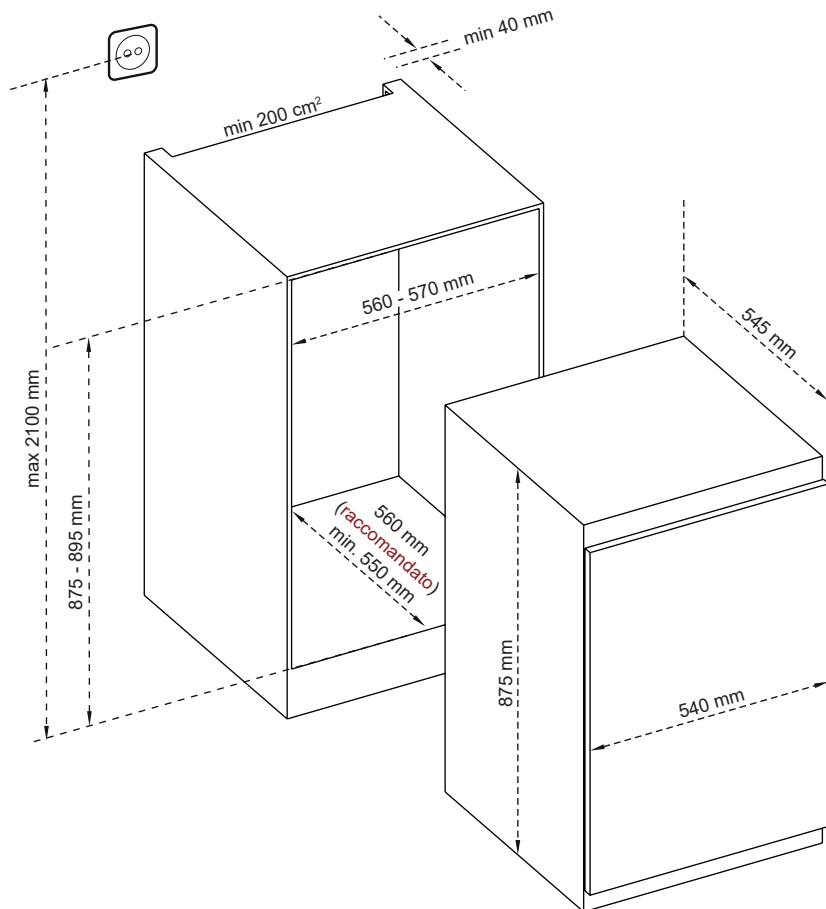
La configurazione con i cassetti nella parte inferiore dell'apparecchio, con i ripiani distribuiti in maniera uniforme e una posizione degli scomparti nello sportello che non incide sul consumo energetico, consente un impiego più efficiente dell'energia.

Scomparto alimenti congelati

(congelatore): L'utilizzo più efficiente dell'energia viene garantito nella configurazione con i cassetti e i contenitori in posizione di fabbrica.

2.1 Dimensioni

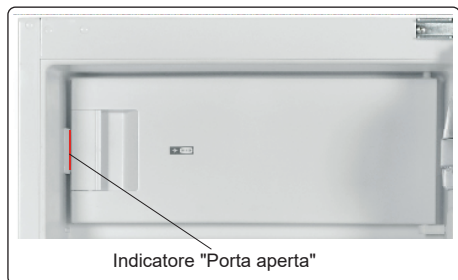
* 875 - 883 per copertura superiore metallica



3 USO DELL'APPARECCHIO

Indicatore "Porta aperta";

L'indicatore "Porta aperta" sulla maniglia indica se la porta è stata chiusa correttamente o è stata lasciata aperta. Se l'indicatore è rosso, la porta è ancora aperta. Se l'indicatore è bianco, la porta è stata chiusa correttamente.

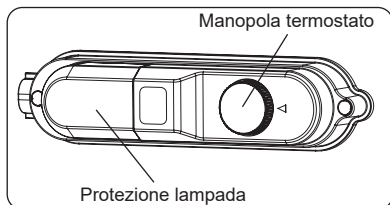


La porta dello scomparto congelatore deve sempre rimanere chiusa. Ciò elimina la necessità di rimuovere la brina dagli alimenti. Saranno così evitati significativi accumuli di ghiaccio e brina insieme ad inutili sprechi di energia elettrica.

3.1 Regolazione del termostato

Il termostato regola automaticamente la temperatura all'interno degli scomparti frigorifero e congelatore. È possibile ottenere temperature inferiori ruotando la manopola su valori più alti, in una scala da 1 a 5.

Nota importante: Non tentare di ruotare la manopola oltre la posizione 1: così facendo l'apparecchio cesserà di funzionare.



Regolazione del termostato

- Per conservare alimenti nell'apparecchio per brevi periodi, regolare la manopola su un valore medio/basso, non superiore a 3.
- Per conservare alimenti nell'apparecchio per periodi di media durata, regolare la manopola su un valore medio, 3 o 4.
- Regolare la manopola 5, Per la congelazione del cibo fresco. L'elettrodomestico funziona più a lungo. Dopo aver raggiunto la temperatura più fredda, si deve ritornare alla posizione originale.

Tenere presente che: la temperatura ambiente, la temperatura del cibo appena introdotto e la frequenza con la quale la porta viene aperta influiscono sulla temperatura dell'apparecchio. Se necessario, variare la temperatura impostata.

3.2 Avvertenze riguardanti la regolazione della temperatura

- La temperatura ambiente, la temperatura degli alimenti appena introdotti e la frequenza di apertura della porta influenzano la temperatura dello scomparto frigorifero. Se necessario, modificare la temperatura impostata.
- Per ragioni di efficienza, si sconsiglia di utilizzare il frigorifero in ambienti con temperatura inferiore a 10 °C.
- Durante la regolazione del termostato, tenere conto della frequenza con la quale vengono aperte e richiuse le porte del frigorifero, della quantità di alimenti presente all'interno e dell'ambiente nel quale l'apparecchio è installato.
- La prima volta che l'apparecchio viene acceso, mantenerlo in funzione per 24 ore consecutive in modo da raggiungere la corretta temperatura di funzionamento. Durante questo periodo, non aprire la porta e non introdurre grandi quantità di alimenti nell'apparecchio.
- Per evitare danni al compressore, disconnettere l'apparecchio dalla

rete elettrica in caso di interruzione dell'alimentazione. Una volta ristabilita l'alimentazione, attendere da 5 a 10 minuti prima di connettere nuovamente l'apparecchio alla rete elettrica. Questa precauzione contribuisce ad evitare danni ai componenti dell'apparecchio.

- L'apparecchio è progettato per funzionare nell'intervallo di temperatura ambiente definito dagli standard, in base alla classe climatica specificata sulla targhetta informativa. Non si consiglia di utilizzare il frigorifero in ambienti la cui temperatura non è compresa nell'intervallo specificato, in quanto non viene garantita l'efficacia della refrigerazione.
- Il tuo apparecchio è progettato per funzionare nell'intervallo di temperatura ambiente definito dagli standard (classi N: 16 °C – 32 °C), in base alla classe climatica specificata sulla targhetta informativa. Per ragioni di efficienza del sistema refrigerante, si sconsiglia di utilizzare **l'apparecchio** in ambienti la cui temperatura non è compresa nell'intervallo specificato. Tenere presenti le avvertenze riportate nel manuale.

Classe climatica e significato:

T (tropicale): Questo apparecchio refrigerante è destinato all'uso a temperature ambienti comprese tra 16 °C e 43 °C.

ST (subtropicale): Questo apparecchio refrigerante è destinato all'uso a temperature ambienti comprese tra 16 °C e 38 °C.

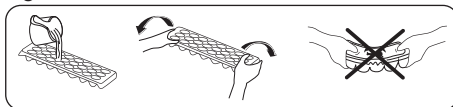
N (temperato): Questo apparecchio refrigerante è destinato all'uso a temperature ambienti comprese tra 16 °C e 32 °C.

SN (temperato esteso): Questo apparecchio refrigerante è destinato all'uso a temperature ambienti comprese tra 10 °C e 32 °C.

3.3 Accessori

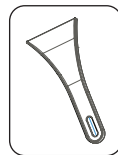
3.3.1 Vaschetta per il ghiaccio

- Riempire di acqua la vaschetta per il ghiaccio e collocarla nello scomparto congelatore.
- Una volta che l'acqua è completamente gelata, torcere la vaschetta come mostrato sotto per estrarre i cubetti di ghiaccio.



3.3.2 Il raschietto in plastica (In alcuni modelli)

Con il tempo, della brina tenderà ad accumularsi in determinate zone dello scomparto congelatore. È necessario rimuovere regolarmente la brina accumulata. Usare se necessario allo scopo il raschietto fornito in dotazione. Non servirsi per questa operazione di oggetti metallici appuntiti o affilati, che potrebbero forare il circuito del refrigerante danneggiando irrimediabilmente l'apparecchio.



Le descrizioni nelle immagini e nel testo della sezione potrebbero variare in base al modello di frigorifero.

4 CONSERVAZIONE DEGLI ALIMENTI

4.1 Scomparto frigorifero

- Per ridurre l'umidità ed evitare la conseguente formazione di brina, conservare sempre i liquidi introdotti nello scomparto frigorifero all'interno di contenitori sigillati. La brina tende a concentrarsi nelle parti più fredde dell'evaporatore e, col passare del tempo, l'apparecchio richiederà sbrinare più frequenti.
- Non introdurre mai cibi caldi nel frigorifero. Gli alimenti caldi devono essere lasciati raffreddare a temperatura ambiente e disposti in modo da assicurare un'adeguata circolazione dell'aria all'interno dello scomparto frigorifero.
- Assicurarsi che nessun oggetto venga direttamente a contatto con la parete posteriore dell'apparecchio, poiché in questo caso si formerebbe della brina alla quale potrebbero aderire le confezioni dei prodotti. Non aprire frequentemente la porta del frigorifero.
- Si raccomanda di confezionare non strettamente la carne e il pesce pulito e collocarli sul ripiano in vetro appena sopra il cassetto verdura, dove l'aria più fredda garantisce le migliori condizioni di conservazione.
- Sistemare frutta e verdura sciolte negli appositi cassetti verdure.
- Mantenere separata la frutta dalla verdura contribuisce ad evitare che la conservazione delle verdure sensibili all'etilene (vegetali a foglia verde, broccoli, carote ecc.) venga influenzata dalla presenza di frutti che rilasciano tale gas (banane, pesche, albicocche, fichi ecc.).
- Non collocare verdura umida o bagnata nel frigorifero.
- Il periodo massimo di conservazione di tutti i prodotti alimentari dipende

dalla qualità originaria del cibo e dall'ininterrotto mantenimento del ciclo di refrigerazione prima della collocazione nell'apparecchio.

- Per evitare contaminazioni reciproche, non conservare le carni insieme alla frutta o alla verdura. L'acqua eventualmente rilasciata dalla carne può contaminare altri prodotti presenti nel frigorifero. Si raccomanda di confezionare le carni e di pulire i ripiani da eventuali perdite di liquido.
- Non collocare gli alimenti davanti alle aperture del condotto dell'aria.
- Consumare gli alimenti confezionati entro la data di scadenza raccomandata.



NOTA: si consiglia di non conservare patate, cipolle e aglio nel frigorifero.

- Per condizioni di funzionamento normali sarà sufficiente regolare l'impostazione di temperatura del proprio frigorifero a +4 °C.
- La temperatura dello scomparto frigorifero dovrà essere nel range 0-8 °C: al di sotto di 0 °C gli alimenti freschi si ghiacciano e marciscono, al di sopra di 8 °C la carica batterica aumenta e gli alimenti si danneggiano.
- Non inserire immediatamente alimenti caldi nel frigorifero: attendere all'esterno che la temperatura si abbassi. Gli alimenti caldi aumentano i gradi del frigorifero, causando intossicazioni alimentari e danneggiando inutilmente gli alimenti.
- Carni, pesci, ecc. devono essere posizionati nello scomparto freddo per gli alimenti; lo scomparto verdure è da preferire per le verdure (se disponibile).
- Per prevenire la contaminazione crociata, le carni, la frutta e le verdure non devono essere conservati insieme.
- Gli alimenti devono essere posizionati nel frigorifero in contenitori chiusi oppure coperti, per evitare umidità e odori.

La seguente tabella rappresenta una guida rapida che illustra il modo più efficiente di conservare all'interno dello scomparto frigorifero gli alimenti dei principali gruppi.

Alimenti	Periodo massimo di conservazione	Come e dove collocarli
Frutta e verdura	1 settimana	Cassetto verdura
Carne e pesce	2 - 3 giorni	Confezionare in pellicola di plastica, sacchetti o contenitori per carni e sistemare sul ripiano in vetro
Formaggi freschi	3 - 4 giorni	Sull'apposito ripiano della porta
Burro e margarina	1 settimana	Sull'apposito ripiano della porta
Prodotti in bottiglia, p. es. latte e yogurt	Fino alla data di scadenza raccomandata dal produttore	Sull'apposito ripiano della porta
Uova	1 mese	Sull'apposito ripiano della porta
Cibi cotti	2 giorni	Su tutti i ripiani

4.2 Scomparto congelatore

- Lo scomparto congelatore è usato per conservare cibi congelati, congelare alimenti freschi e produrre cubetti di ghiaccio.
- Per congelare il cibo fresco; avvolgere e sigillare correttamente gli alimenti freschi, in modo che la confezione sia chiusa ermeticamente e non vi siano fuoriuscite. Sacchetti speciali per freezer, sacchetti in polietilene e fogli di alluminio e contenitori di plastica sono l'ideale.
- Non collocare alimenti freschi accanto a cibi congelati, poiché questi ultimi potrebbero scongelarsi.
- Prima di congelare alimenti freschi, suddividerli in porzioni consumabili in un unico pasto.
- Una volta scongelato il cibo, consumarlo entro un breve periodo di tempo.
- Non introdurre mai alimenti caldi nello scomparto congelatore, poiché ciò scongelerebbe i prodotti congelati.

- In merito alla conservazione dei cibi congelati, seguire sempre le istruzioni riportate dal produttore sulle confezioni. In assenza di informazioni, non conservare il cibo per più di tre mesi dalla data di acquisto.
- Quando si acquista del cibo congelato, accertarsi sempre che sia stato conservato nelle corrette condizioni e che la confezione non sia danneggiata.
- Il cibo congelato deve essere trasportato in contenitori adatti e riposto appena possibile nel congelatore.
- Non acquistare cibo congelato la cui confezione presenta segni di umidità o rigonfiamenti anomali. È infatti probabile che tali confezioni siano state conservate a temperature inadeguate e che il loro contenuto si sia deteriorato.
- Il periodo massimo di conservazione del cibo congelato dipende dalla temperatura ambiente, dalla regolazione del termostato, dalla frequenza con la quale viene aperta la porta dello scomparto congelatore, dal tipo di alimento e dalla quantità di tempo occorsa per trasportare dal punto vendita all'abitazione i prodotti. Seguire sempre le istruzioni riportate sulle confezioni e non superare mai il periodo massimo di conservazione indicato.
- La massima quantità di alimenti freschi (in chilogrammi) congelabile nell'arco di 24 ore è indicata sull'etichetta dell'apparecchio.



NOTA: se si tenta di aprire la porta immediatamente dopo averla chiusa, si incontra una certa resistenza. Ciò è normale. Una volta ristabilito l'equilibrio fra le pressioni interna ed esterna, la porta si aprirà facilmente.

Nota importante:


- Non ricongelare mai il cibo scongelato.
- L'aroma di alcune spezie usate in cucina (anice, basilico, crescione, aceto, aromi vari, zenzero, aglio, cipolla, senape, timo, maggiorana, pepe nero ecc.) può cambiare e diventare più marcato nei cibi conservati per lunghi periodi. Si consiglia

pertanto di aggiungere solo piccole quantità di aromi al cibo da congelare, oppure di aggiungere gli aromi solo dopo lo scongelamento.

- Il periodo di conservazione dei cibi congelati dipende dal tipo di olio usato. Oli adatti al congelamento sono la margarina, il grasso di vitello, l'olio d'oliva e il burro. Inadatti risultano invece l'olio di arachide e il grasso di maiale.
- Il cibo in forma liquida deve essere congelato in recipienti di plastica, mentre per gli altri alimenti si useranno pellicole o sacchetti in plastica.



La seguente tabella fornisce una guida rapida che illustra il modo più efficiente di conservare nello scomparto congelatore i principali gruppi di alimenti.

Carne e pesce	Preparazione	Periodo massimo di conservazione (mesi)
Bistecche	Confezionare in alluminio/plastica	6 - 8
Carne di agnello	Confezionare in alluminio/plastica	6 - 8
Arrosto di vitello	Confezionare in alluminio/plastica	6 - 8
Spezzatino di vitello	In piccoli pezzi	6 - 8
Spezzatino di agnello	In pezzi	4 - 8
Carne trita	Confezionare senza l'uso di aromi	1 - 3
Frattaglie (in pezzi)	In pezzi	1 - 3
Salame/bologna	Confezionare anche se dotati di pelle	
Pollo e tacchino	Confezionare in alluminio/plastica	4 - 6
Oca e anatra	Confezionare in alluminio/plastica	4 - 6
Camoscio, coniglio, cinghiale	In porzioni da 2,5 kg o filetti	6 - 8
Pesci d'acqua dolce (salmone, carpa, trota, lavarello)	Dopo aver eliminato le interiora e le scaglie, lavare e asciugare il pesce. Rimuovere se necessario la testa e la coda	2
Pesci magri (spigola, rombo, platessa)		4
Pesci grassi (sgombro, pesce serra, acciughe)		2 - 4
Molluschi e crostacei	Pulire e confezionare in sacchetti	4 - 6
Caviale	Nella confezione originale, o in contenitori di alluminio o plastica	2 - 3
Lumache	In acqua salata, o in contenitori di alluminio o plastica	3
 NOTA:	le carni decongelate vanno cotte come le carni fresche. Se una volta decongelata la carne non viene cotta, non deve essere nuovamente congelata.	




Frutta e verdura	Preparazione	Periodo massimo di conservazione (mesi)
Fagiolini	Lavare, tagliare a pezzetti e sbollentare in acqua	10 - 13

Frutta e verdura	Preparazione	Periodo massimo di conservazione (mesi)
Fagioli	Sgranare, lavare e sbollentare in acqua	12
Cavoli	Pulire e sbollentare in acqua	6 - 8
Carote	Pulire, tagliare a pezzetti e sbollentare in acqua	12
Peperoni	Eliminare il gambo, tagliare a metà, rimuovere la parte centrale e sbollentare in acqua	8 - 10
Spinaci	Lavare e sbollentare in acqua	6 - 9
Cavolfiore	Rimuovere le foglie, tagliare a pezzi il cuore e immergerlo per qualche tempo in acqua con po' di succo di limone	10 - 12
Melanzane	Lavare e tagliare in pezzi di 2 cm	10 - 12
Mais	Pulire e confezionare intero oppure in grani	12
Mele e pere	Sbucciare e tagliare a fette	8 - 10
Albicocche e pesche	Tagliare a metà e rimuovere il nocciolo	4 - 6
Fragole e more	Lavare e rimuovere il picciolo	8 - 12
Cooked fruits	Aggiungere al contenitore il 10 % di zucchero	12
Prugne, ciliegie, amarene	Lavare e rimuovere il picciolo e il nocciolo	8 - 12

	Periodo massimo di conservazione (mesi)	Tempo di scongelamento a temperatura ambiente (ore)	Tempo di scongelamento in forno (minuti)
Pane	4 - 6	2 - 3	4-5 (220-225 °C)
Biscotti	3 - 6	1 - 1,5	5-8 (190-200 °C)
Paste crude	1 - 3	2 - 3	5-10 (200-225 °C)
Torte	1 - 1,5	3 - 4	5-8 (190-200 °C)
Pasta fillo	2 - 3	1 - 1,5	5-8 (190-200 °C)
Pizza	2 - 3	2 - 4	15-20 (200 °C)

Prodotti caseari	Preparazione	Periodo massimo di conservazione (mesi)	Condizioni di conservazione
Latte confezionato (omogeneizzato)	Nella confezione originale	2 - 3	Latte puro – nella confezione originale
Formaggio, eccetto formaggi freschi	Tagliare a fette	6 - 8	Per brevi periodi di conservazione si può usare la confezione originale. Per periodi più lunghi, confezionare in alluminio/ plastica
Burro, margarina	Nella confezione originale	6	

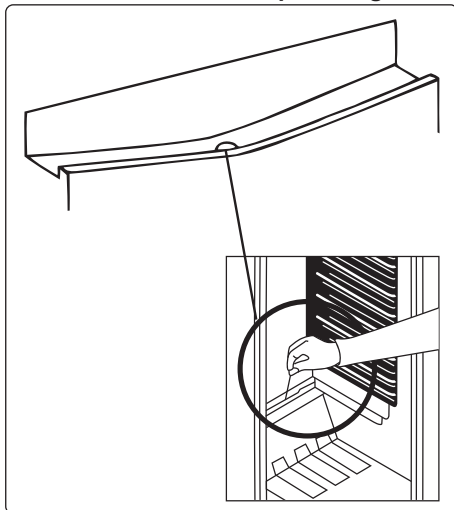
5 PULIZIA E MANUTENZIONE

-  Scollegare l'apparecchio dalla rete elettrica prima di pulirlo.
-  Non lavare l'apparecchio versandovi sopra acqua.
-  Non usare prodotti abrasivi, detersivi o saponi per pulire l'apparecchio. Dopo il lavaggio, sciacquare con acqua pulita e asciugare accuratamente. Una volta terminata la pulizia, ricollegare con le mani asciutte la spina all'alimentazione.
- Fare attenzione che l'acqua non penetri nell'alloggiamento della lampada o altri componenti elettrici.
- Pulire regolarmente l'apparecchio con bicarbonato di sodio sciolto in acqua tiepida.
- Pulire a mano separatamente gli accessori con acqua e sapone. Non lavare gli accessori in lavastoviglie.
- Pulire il condensatore con una spazzola almeno due volte all'anno. Questa pratica contribuisce a ridurre i consumi energetici e ad aumentare la produttività.

  **Durante la pulizia, l'apparecchio deve essere scollegato dalla rete elettrica.**

5.1 Sbrinamento

Sbrinamento dello scomparto frigorifero



- Lo sbrinamento dello scomparto frigorifero avviene automaticamente durante il funzionamento dell'apparecchio. L'acqua confluisce nella vaschetta di raccolta dove evapora automaticamente.
- È necessario pulire periodicamente la vaschetta di raccolta e il foro di scarico dell'acqua con l'apposito scovolo per impedire che l'acqua, anziché defluire, ristagni nella parte inferiore dell'apparecchio.
- È anche possibile pulire il foro di scarico versandovi all'interno mezzo bicchiere d'acqua.

Lo scomparto congelatore

È necessario rimuovere regolarmente (con il raschietto in plastica in dotazione) la brina che si accumula nello scomparto congelatore. Lo scomparto congelatore va pulito con le stesse modalità viste per lo scomparto frigorifero, usando la procedura di sbrinamento, almeno due volte all'anno.

A questo scopo:

- Il giorno precedente lo sbrinamento dello scomparto congelatore, regolare la manopola del termostato sulla posizione '5', in modo da congelare completamente gli alimenti.

- Durante lo sbrinamento, il cibo congelato deve essere avvolto in diversi strati di carta e tenuto in luogo fresco. L'inevitabile innalzamento della temperatura abbrevierà il periodo massimo di conservazione degli alimenti. Ricordarsi pertanto di consumare tali prodotti entro un periodo di tempo relativamente breve.
- Regolare la manopola del termostato sulla posizione “•” e scollegare l'apparecchio dalla rete elettrica. Lasciare aperta la porta fino al completo sbrinamento.
- Per accelerare la procedura di sbrinamento, collocare una o più bacinelle piene di acqua calda nello scompartimento congelatore.
- Asciugare accuratamente l'interno dell'apparecchio e regolare la manopola del termostato sulla posizione 'MAX'.

Sostituzione dell'illuminazione LED



Se l'apparecchio è dotato di illuminazione LED, si prega di contattare il servizio di assistenza poiché questo componente deve essere sostituito solo da personale autorizzato.

6 TRASPORTO E RIPOSIZIONAMENTO

6.1 Trasporto e riposizionamento

- È possibile conservare l'imballaggio originale e le protezioni antiurto in vista di eventuali trasferimenti dell'apparecchio (opzionale).
- Confezionare l'apparecchio in un imballo di spessore adeguato, fissato con nastro adesivo largo o funi robuste, e seguire le istruzioni riguardanti il trasporto fornite con l'imballaggio usato.
- Durante il trasporto o il trasferimento, rimuovere tutti i componenti mobili (ripiani, accessori, cassette verdura e così via) o fissarli in sede con nastro adesivo per proteggerli dagli urti.



Durante il trasporto mantenere sempre l'apparecchio in posizione verticale.

7 PRIMA DI CONTATTARE IL SERVIZIO ASSISTENZA

Se l'apparecchio non funziona correttamente, può darsi si tratti di un problema di facile soluzione. Eseguire i seguenti controlli.

L'apparecchio non funziona

Verificare che:

- La tensione di rete sia presente
- L'apparecchio sia collegato alla rete elettrica
- Il termostato non sia regolato sulla posizione “•”
- La presa elettrica non sia difettosa. A questo scopo, collegare alla stessa presa un altro apparecchio certamente funzionante.

L'apparecchio funziona male

Verificare che:

- L'apparecchio non sia sovraccarico
- Le porte siano chiuse correttamente
- Non sia presente polvere sul condensatore
- Ci sia spazio sufficiente in corrispondenza delle pareti posteriori e laterali.

Il funzionamento dell'apparecchio è rumoroso

Il gas che circola all'interno del circuito refrigerante può generare un leggero rumore (un sorta di gorgoglio) anche mentre il compressore non è attivo. Non c'è motivo di preoccuparsi, ciò è normale. Se si avverte un suono diverso, controllare che:

- L'apparecchio sia perfettamente orizzontale
- Nessun oggetto si trovi a contatto con il retro dell'apparecchio
- Nessun oggetto all'interno dell'apparecchio stia vibrando.

È presente dell'acqua nella parte inferiore dell'apparecchio

Verificare che:

Il foro di scarico dell'acqua non sia ostruito (usare l'apposito scovolo per pulire il foro di scarico).

Raccomandazioni

- Se l'apparecchio viene spento o scollegato dalla rete elettrica, per evitare danni al compressore attendere almeno 5 minuti prima di ricollegare l'alimentazione o riaccendere l'apparecchio.
- Il blocco refrigerante è situato nella parte posteriore dell'apparecchio. È pertanto possibile che piccole gocce d'acqua o particelle di ghiaccio si formino periodicamente sulla superficie posteriore dell'apparecchio a seguito del funzionamento del compressore. Ciò è normale e non occorre procedere allo sbrinamento se non in presenza di quantità eccessive di ghiaccio.
- Se si prevede di non usare l'apparecchio per un lungo periodo di tempo (ad esempio durante le vacanze estive), regolare il termostato sulla posizione “•”, sbrinare e pulire l'apparecchio lasciando la porta aperta per evitare la formazione di muffe e odori.
- Se dopo aver seguito le istruzioni sopra riportate un problema persiste, si prega di consultare il più vicino centro di assistenza autorizzato.
- L'apparecchio che avete acquistato è progettato esclusivamente per l'uso domestico. Esso non è adatto all'uso commerciale o comune. In caso di utilizzo dell'apparecchio da parte del consumatore secondo modalità non conformi a quanto specificato, si sottolinea che il produttore e il distributore non saranno responsabili per nessun guasto o riparazione avvenuti durante il periodo di validità della garanzia.

8 SUGGERIMENTI PER IL RISPARMIO ENERGETICO

1. Installare l'apparecchio in un locale fresco e ben ventilato, al riparo dalla luce solare diretta. Non installare l'apparecchio nelle vicinanze di una fonte di calore (ad esempio un radiatore o un forno) se non per mezzo di una piastra isolante.
2. Lasciare raffreddare i cibi e le bevande calde prima di introdurli nell'apparecchio.
3. Collocare gli alimenti da scongelare nello scomparto frigorifero. La bassa temperatura del cibo congelato contribuirà a raffreddare lo scomparto frigorifero durante il processo di scongelamento, permettendo di risparmiare energia. Lasciare scongelare gli alimenti fuori dall'apparecchio si traduce in uno spreco di energia.
4. Coprire le bevande e gli altri liquidi conservati nell'apparecchio. Lasciare scoperti i liquidi provoca un aumento dell'umidità all'interno dell'apparecchio, con conseguente incremento dei consumi energetici. Coprire le bevande e gli altri liquidi contribuisce inoltre a mantenerne inalterati l'aroma e il sapore.
5. Evitare di tenere aperte le porte per lunghi periodi o di aprire le porte con eccessiva frequenza, poiché l'aria calda penetrerebbe nell'apparecchio causando l'attivazione del compressore più spesso del necessario.
6. Tenere chiuse le coperture dei comparti caratterizzati da temperature differenti (come il cassetto verdura e il comparto chiller).
7. La guarnizione della porta deve essere mantenuta pulita e flessibile. Sostituire le guarnizioni in caso di usura.

1 INSTRUCCIONES DE SEGURIDAD

1.1 Advertencias de seguridad general

Lea detenidamente este manual de usuario.

⚠️ ADVERTENCIA: Mantenga libres de obstrucciones las aperturas de ventilación del receptáculo de la nevera o de la estructura integrada.

⚠️ ADVERTENCIA: No utilice dispositivos mecánicos ni otros medios para acelerar el proceso de descongelación, salvo los recomendados por el fabricante.

⚠️ ADVERTENCIA: No utilice aparatos eléctricos dentro de los compartimentos de la nevera en los que se guardan alimentos, salvo que sean del tipo recomendado por el fabricante.

⚠️ ADVERTENCIA: Evite dañar el circuito refrigerante.

⚠️ ADVERTENCIA: Para evitar que la inestabilidad del aparato dé lugar a algún tipo de peligro, debe fijarse conforme a las instrucciones.

⚠️ Si el aparato usa refrigerante de tipo R600a (esta información se muestra en la etiqueta del refrigerador), debe tener cuidado durante el transporte y la instalación para evitar que se dañen los elementos del refrigerador. R600a es un gas natural y respetuoso con el medioambiente, pero es explosivo. Si se dañan los elementos del refrigerador y como consecuencia se produce una fuga, aleje el aparato

de llamas abiertas o fuentes de calor y ventile unos minutos la habitación en la que se encuentra la nevera.

- Durante el transporte y la colocación del aparato, evite dañar el circuito de gas del refrigerador.
- No almacene en este aparato sustancias explosivas, como latas de aerosol con propulsor inflamable.
- Este aparato ha sido diseñada para ser utilizado en aplicaciones domésticas, como:
 - Cocinas para personal de tiendas, oficinas y otros entornos de trabajo.
 - Casas rústicas y habitaciones para clientes de hoteles, moteles y otros entornos de tipo residencial.
 - Establecimientos de tipo “Bed & Breakfast”.
 - Aplicaciones minoristas de catering y similares.
- Para evitar peligros, si la toma eléctrica no fuese compatible con el enchufe, deberá cambiarla el fabricante, un agente de servicio o una persona con una cualificación equivalente.
- El cable de alimentación del refrigerador dispone de un enchufe con conexión a tierra especial. Este enchufe debe usarse con una toma con conexión a tierra especial de 16 amperios. Si su vivienda no dispone de una toma de estas características, contrate a un electricista homologado para que instale una.

- Esta nevera la pueden usar niños de al menos 8 años de edad y personas con capacidades físicas, sensoriales o mentales reducidas o con falta de experiencia y conocimientos siempre que hayan recibido la supervisión o instrucciones necesarias con respecto al uso de la nevera de forma segura y comprendan los riesgos asociados. Los niños no deben jugar con este aparato. Ningún niño debe realizar la limpieza ni el mantenimiento de usuario de este aparato sin supervisión.
- Los niños de 3 a 8 años pueden cargar y descargar aparatos frigoríficos. No se espera que los niños realicen la limpieza o el mantenimiento del aparato, no se espera que los niños muy pequeños (0-3 años) usen los aparatos, no se espera que los niños pequeños (3-8 años) usen los aparatos de manera segura a menos que se les brinde supervisión continua, los niños mayores (8-14 años) y las personas vulnerables pueden usar los aparatos de manera segura después de que se les haya dado la supervisión o instrucción apropiada con respecto al uso del aparato. No se espera que las personas muy vulnerables usen los aparatos de manera segura a menos que reciban supervisión continua.
- Si el cable de alimentación está dañado, debe cambiarlo el fabricante, un agente de servicio autorizado o una persona con una cualificación equivalente a fin de evitar peligros.

- Esta nevera no ha sido diseñada para ser utilizada a una altitud superior a 2000 m.

Para evitar la contaminación de los alimentos, por favor respete las siguientes instrucciones:

- La apertura de la puerta durante largos períodos de tiempo puede provocar un aumento significativo de la temperatura en los compartimentos del aparato.
- Limpie regularmente las superficies que puedan entrar en contacto con los alimentos y los sistemas de drenaje accesibles.
- Almacene la carne y el pescado crudos en recipientes adecuados en el frigorífico, de modo que no estén en contacto con otros alimentos ni goteen sobre ellos.
- Los compartimentos de dos estrellas para alimentos congelados son adecuados para almacenar alimentos pre-congelados, almacenar o hacer helados y hacer cubitos de hielo.
- Los compartimentos de una, dos y tres estrellas no son adecuados para la congelación de alimentos frescos.
- Si el aparato frigorífico se deja vacío durante mucho tiempo, apáguelo, descongélelo, límpielo, séquelo y deje la puerta abierta para evitar que se desarrolle moho dentro del aparato.

1.2 Advertencias para la instalación

Antes de utilizar el refrigerador-congelador por primera vez, preste atención a las siguientes cuestiones:

- El voltaje de funcionamiento del refrigerador-congelador es de 220-240 V a 50 Hz.
- El enchufe debe quedar accesible tras la instalación.
- Puede que el refrigerador-congelador emita cierto olor cuando se utilice por primera vez. Este olor es normal y desaparecerá cuando el refrigerador-congelador comience a enfriarse.
- Antes de conectar el refrigerador-congelador, asegúrese de que la información que se muestra en la placa de características (voltaje y carga conectada) concuerde con las características del suministro eléctrico. Si tiene alguna duda, póngase en contacto con un electricista cualificado.
- Inserte el enchufe en una toma eléctrica que disponga de una conexión a tierra eficaz. Si la toma eléctrica no tiene toma a tierra o el enchufe no es compatible con la toma eléctrica, le recomendamos que se ponga en contacto con un electricista cualificado.
- El aparato debe conectarse a una toma eléctrica con fusible debidamente instalada. El suministro eléctrico (CA) y el voltaje del lugar en el que se vaya a colocar el aparato deben coincidir con los datos que se muestran en la placa de características del propio aparato, que se encuentra en su lateral interior izquierdo.
- No nos hacemos responsables de los daños que se produzcan al conectar el aparato sin conexión a tierra.
- No coloque el refrigerador-congelador en un lugar en el que esté expuesto a la luz directa del sol.
- El refrigerador-congelador no se debe usar nunca en exteriores ni en un lugar en el que esté expuesto a la lluvia.
- El aparato debe estar separado como mínimo 50 cm de cocinas, hornos de gas y radiadores y 5 cm de hornos eléctricos.

- Si coloca el refrigerador-congelador junto a un congelador de baja temperatura, debe estar separado de él al menos 2 cm para evitar que se forme humedad en la superficie exterior.
- No cubra el cuerpo ni la parte superior del refrigerador-congelador con encaje. Esto afecta al rendimiento del refrigerador-congelador.
- En la parte superior de la nevera debe haber un espacio de al menos 150 mm. No coloque nada sobre la nevera.
- No coloque objetos pesados sobre la nevera.
- Limpie a conciencia la nevera antes de usarla (consulte la sección de Limpieza y mantenimiento).
- Antes de usar el refrigerador-congelador, limpie todas sus piezas con una solución de agua caliente y una cucharilla de bicarbonato de sodio. A continuación, límpielas con agua limpia y séquelas. Tras limpiar las diferentes piezas, vuelva a colocarlas en el refrigerador-congelador.
- El procedimiento de instalación dentro de un mueble de cocina se explica en el manual de instalación. Este producto se ha diseñado únicamente para ser utilizado en muebles de cocina adecuados.

1.3 Durante el uso

- No utilice un alargador para conectar el refrigerador-congelador a la red eléctrica.
- No utilice enchufes dañados, desgastados o viejos.
- No tuerza o dañe el cable ni tire de él.
- Este aparato ha sido diseñado para que lo usen personas adultas. No deje que ningún niño juegue con el aparato o que se cuelgue de la puerta.
- No toque nunca el enchufe/cable de alimentación con las manos mojadas. De hacerlo, podría producirse un cortocircuito o una descarga eléctrica.
- No coloque latas ni botellas de cristal en el compartimento donde se hacen los

cubitos de hielo, ya que podrían explotar al congelarse su contenido.

- No coloque materiales explosivos o inflamables dentro de la nevera. Las bebidas con alto contenido de alcohol deben colocarse verticalmente en el compartimento del refrigerador y asegurarse de que estén muy bien cerradas.
- No toque los cubitos de hielo al sacarlos del compartimento donde se hacen. El hielo podría ocasionar quemaduras por frío y cortes.
- No toque los productos congelados con las manos mojadas. No coma helado ni cubitos de hielo justo después de sacarlos del compartimento donde se hacen los cubitos de hielo.
- No vuelva a congelar alimentos que ya se han descongelado. Esto podría ocasionar problemas de salud, como una intoxicación alimentaria.

Aparatos antiguos y fuera de servicio

- Si su antiguo frigorífico o congelador tiene un candado, rómpalo o quítelo antes de desecharlo, dado que se podría quedar atrapado en su interior un niño y producir un accidente.
- Las neveras y los congeladores antiguos contienen material de aislamiento y refrigerante con CFC. Por lo tanto, evite dañar el medioambiente al desechar un antiguo frigorífico.

Declaración de conformidad de la CE

Declaramos que nuestros productos cumplen con las Directivas, Decisiones y Normativas europeas pertinentes y con los requisitos enumerados en los estándares mencionados.

Desecho del antiguo aparato

El símbolo que se muestra sobre el producto o su embalaje indica que este producto no se puede tratar como residuo doméstico. En su lugar, debe llevarse al punto de recogida pertinente para el reciclado de equipos eléctricos y electrónicos. Asegúrese de que este



producto sea desechado debidamente para evitar que se puedan producir daños en el medioambiente y la salud de las personas. Si desea obtener información detallada sobre el reciclaje de este producto, póngase en contacto con su oficina municipal, el servicio de desecho de residuos domésticos o la tienda en la que adquirió el producto.

El embalaje y el medio ambiente

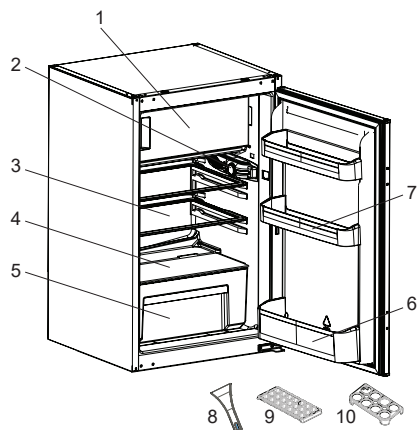
Los materiales de embalaje protegen su máquina de los daños que puedan ocasionarse durante el transporte. Los materiales de embalaje son respetuosos con el medio ambiente, ya que son reciclables. El uso de material reciclado reduce el consumo de materias primas y, por lo tanto, la producción de residuos.




Notas:

- Lea detenidamente el manual de instrucciones antes de instalar y usar el aparato. No somos responsables de los daños que se produzcan como consecuencia de un uso indebido.
- Siga todas las instrucciones del aparato y del manual de instrucciones y guarde este manual en un lugar seguro para resolver cualquier tipo de problema que pueda producirse en el futuro.
- Este aparato se ha diseñado para ser utilizado en viviendas y solo debe utilizarse en entornos domésticos y para los fines especificados. No es adecuado para uso comercial o común. Este tipo de uso invalidará la garantía del aparato y nuestra compañía no se hará responsable de las pérdidas que se produzcan.
- Este aparato se ha diseñado para ser usado en hogares y solo es apto para enfriar/conservar alimentos. No es adecuado para uso comercial o común ni para guardar sustancias que no sean alimentos. Nuestra empresa no es responsable de las pérdidas que se puedan producir en caso contrario.

2 DESCRIPCIÓN DEL APARATO



 Esta presentación sobre las piezas del aparato solo se ofrece a título informativo. Las piezas pueden variar según el modelo de aparato.

- 1) Puerta del compartimento de congelador
- 2) Compartimento de termostato
- 3) Estantes de refrigerador
- 4) Cubierta de cajón para fruta y verdura
- 5) Cajón para fruta y verdura
- 6) Estante portabotellas
- 7) Estantes de puerta
- 8) Rascador de hielo *
- 9) Cubitera
- 10) Huevera

* *En algunos modelos*

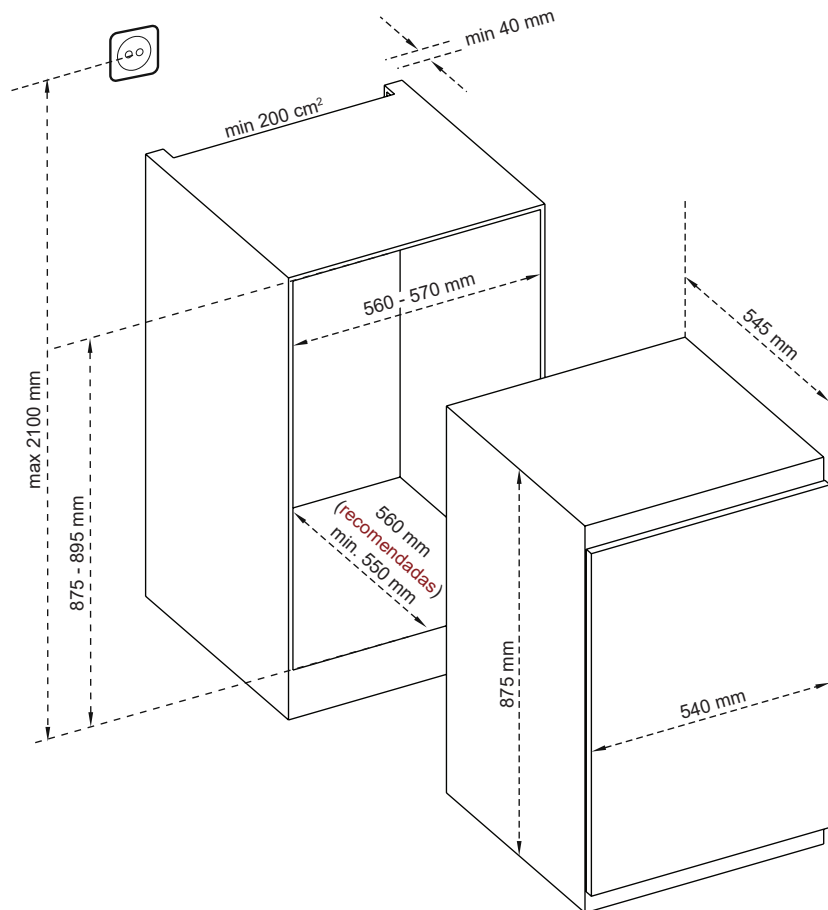
Notas generales:

Compartimento de alimentos frescos (frigorífico): Se garantiza un uso más eficiente de la energía con una disposición uniforme de los cajones en la parte inferior del electrodoméstico y de los estantes, la posición de los cajones de la puerta no afecta el consumo de energía.

Compartimento del congelador (congelador): Según la disposición de los cajones y los estantes bandejas podrá hacer un uso más eficiente de la energía. Estos se encuentran en posición de existencias.

2.1 Dimensiones

* 875 - 883 para la tapa superior de metal



3 USO DEL APARATO

Indicador de “Puerta abierta”:

El indicador de “Puerta abierta” que se encuentra en el tirador indica si la puerta se ha cerrado debidamente o si permanece abierta.

Si el indicador está de color rojo, significa que sigue abierta.

Si el indicador está de color blanco, significa que se ha cerrado correctamente.

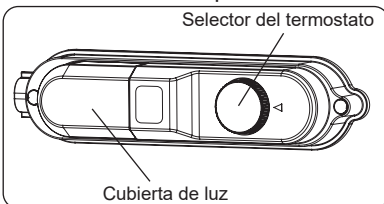


La puerta del congelador debe mantenerse cerrada en todo momento. De este modo se evitará que los alimentos se descongelen. De este modo se evitará que se acumulen gruesas capas de hielo y escarcha en el interior del congelador y que aumente el consumo eléctrico.

3.1 Ajuste del Termostato

El termostato del refrigerador regulan automáticamente la temperatura en el interior de los congelador y del refrigerador. Gire el selector a una posición más alta, de 1 a 5, para obtener temperaturas más bajas. Durante las estaciones más frías, ajuste el termostato en posiciones inferiores para reducir el consumo eléctrico.

NOTA IMPORTANTE: No gire el selector más allá de la posición 1 o dejará de funcionar el aparato.



Ajustes del termostato

- Para la conservación de alimentos en el compartimento congelador durante un corto período de tiempo, puede colocar el mando del termostato entre la posición 1 y 3.
- Para la conservación de alimentos en el compartimento congelador durante un período largo de tiempo, puede colocar el mando del termostato en la posición 3 y 4.
- Para congelar alimentos frescos puede colocar el mando del termostato entre la posición 5. Cuando haya conseguido la temperatura deseada, deberá volver a situar el regulador en su posición anterior.

Tenga en cuenta que: Que la temperatura ambiente, la temperatura de la comida almacenada y la regularidad con que se abra la puerta del aparato, afectan a la temperatura del compartimento frigorífico. Si fuera necesario, modifique la temperatura seleccionada según los casos.

3.2 Advertencias de ajustes de temperatura

- La temperatura ambiental, la temperatura de los alimentos recién introducidos y la frecuencia con la que se abra la puerta afectan a la temperatura del refrigerador. Si fuese necesario, seleccione otra temperatura.
- En lo que a eficacia se refiere, no se recomienda operar el **aparato** en entornos de temperaturas inferiores a los 10 °C.
- Al regular el termostato, tenga en cuenta la frecuencia con la que se abren las puertas del aparato, el volumen de alimentos almacenados y el entorno en el que se ubica el **aparato**.
- Cuando encienda el aparato por primera vez, deje que funcione durante 24 horas para que alcance la temperatura de funcionamiento. Durante este período, no abra la puerta ni guarde demasiados alimentos en el interior del aparato.

- Durante los cortes del suministro eléctrico apague el aparato para impedir que se dañe el compresor. Una vez que se restaure el suministro, espere entre 5 y 10 minutos para volver a enchufar el aparato. De este modo se impide que se dañen sus componentes.
- El aparato está diseñado para trabajar en las temperaturas ambientales indicadas en los estándares, conforme a la clase climática indicada en la etiqueta de información. No se recomienda utilizar el refrigerador en entornos en los que se den temperaturas que estén fuera del rango especificado. Esto reduciría la eficacia del aparato en lo que a refrigeración se refiere.
- Este aparato está diseñado para trabajar en los rangos de temperatura ambiental (N = 16 °C - 32 °C) indicados en los estándares, conforme a la clase climática indicada en la etiqueta de información. No recomendamos operar este aparato fuera de los límites de temperatura indicados, dado que se ve afectada su eficacia. Compruebe las Advertencias debajo.

Tipo de clima y significado:

T (tropical): Este electrodoméstico de refrigeración está destinado para su uso a temperaturas ambiente que oscilan entre los 16 °C y los 43 °C.

ST (subtropical): Este electrodoméstico de refrigeración está destinado para su uso a temperaturas ambiente que oscilan entre los 16 °C y los 38 °C.

N (templado): Este electrodoméstico de refrigeración está destinado para su uso a temperaturas ambiente que oscilan entre 16 °C y 32 °C.

SN (temperatura extendida): Este electrodoméstico de refrigeración está destinado para su uso a temperaturas ambiente que oscilan entre 10 °C y 32 °C.

3.3 Accesorios

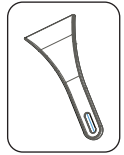
3.3.1 Cubitera

- Llene de agua la cubitera y colóquela en el congelador.
- Cuando el agua se haya congelado totalmente, puede doblar la cubitera para sacar los cubitos de hielo.



3.3.2 Rascador de plástico (En algunos modelos)

Después de cierto tiempo, en algunas zonas del congelador se acumula escarcha. La escarcha que se acumula en el congelador debe retirarse de manera regular. Si fuese necesario, utilice el rascador de plástico proporcionado. No utilice objetos metálicos punzantes para hacerlo. Podría perforar el circuito refrigerador y dañar la unidad de forma permanente.



Las descripciones visuales y textuales proporcionadas en la sección de accesorios pueden variar en función del modelo de aparato que haya adquirido.

4 ALMACENAMIENTO DE ALIMENTOS

4.1 Compartimento de refrigerador

- Para reducir la humedad y evitar la subsiguiente formación de escarcha, guarde los líquidos en recipientes herméticos en el refrigerador. La escarcha tiende a acumularse en las partes más frías del líquido que se evapora y con el tiempo deberá descongelarse el aparato con una mayor asiduidad.
- No coloque nunca alimentos calientes en el refrigerador. Los alimentos calientes deben dejarse enfriar a temperatura ambiental y deben colocarse de tal forma que se garantice una adecuada circulación del aire en el compartimento del refrigerador.
- Asegúrese de que no haya ningún elemento en contacto directo con la pared trasera del aparato, ya que se formará escarcha y el embalaje se pegará a ella. No abra la puerta del refrigerador con frecuencia.
- Recomendamos envolver el pescado limpio y la carne de manera holgada y guardarlos en el estante de cristal que está justo encima del compartimento para verduras, donde se encuentra el refrigerador de aire, ya que ofrece las mejores condiciones de almacenamiento.
- Almacene las frutas y verduras sueltas en los cajones para fruta y verdura.
- Almacene las frutas y verduras sueltas en el cajón para fruta y verdura.
- Al almacenar por separado las frutas y las verduras, se impide que los vegetales sensibles al etileno (verduras de hoja verde, brócoli, zanahoria, etc.) se vean afectados por las frutas que liberan gas etileno (plátanos, melocotones, albaricoques, etc.).
- No coloque vegetales húmedos en el refrigerador.

- El tiempo de conservación de los alimentos depende de la calidad inicial del alimento y de si este disfrutó de un ciclo ininterrumpido de refrigeración antes de meterse en el refrigerador.
- Para evitar la contaminación cruzada no almacene productos de carne con frutas o verduras. El agua que sale de la carne podría contaminar otros productos que haya en el refrigerador. Debe envasar los productos de carne y limpiar el líquido que se haya derramado en los estantes.
- No coloque alimentos en frente del conducto de aireación.
- Consuma los alimentos envasados antes de la fecha de caducidad recomendada.



NOTA: Las patatas, cebollas y el ajo no se deben guardar en el refrigerador.

- Para condiciones de uso normales, bastará con ajustar la temperatura de su refrigerador a +4 °C.
- La temperatura del compartimento del frigorífico debe estar en el rango de 0 a 8 °C, los alimentos frescos por debajo de 0 °C se congelan y se pudren, la carga bacteriana aumenta por encima de 8 °C, y se estropean.
- No coloque comida caliente en el refrigerador, espere a que se enfríe. Los alimentos calientes aumentan el grado de su refrigerador y causan intoxicación alimentaria, así como el deterioro innecesario de la comida.
- La carne, el pescado, etc. deben almacenarse en el compartimento de refrigeración de la comida, y el compartimento de las verduras es preferible para las verduras. (si está disponible)
- Para evitar la contaminación cruzada, los productos cárnicos y las frutas y verduras no se deben almacenar juntos.
- Los alimentos deben colocarse en recipientes cerrados o cubiertos para evitar la humedad y los olores.

La siguiente tabla le servirá de referencia rápida para determinar la manera más eficaz de almacenar en el refrigerador los principales grupos de alimentos.

Alimento	Tiempo máximo de conservación	Cómo y dónde almacenarlos
Vegetales y frutas	1 semana	Cajón para vegetales
Carne y pescado	2-3 días	Envolver en bolsas o film de plástico o guardar en un recipiente para carne y colocar en el estante de cristal.
Queso fresco	3-4 días	En su estante de puerta
Mantequilla y margarina	1 semana	En su estante de puerta
Productos embotellados, como leche y yogur	Hasta la fecha de caducidad recomendada por el productor	En su estante de puerta
Huevos	1 mes	En el estante para huevos
Alimentos cocinados	2 días	En cualquier estante

4.2 Compartimento del congelador

- El congelador se utiliza para almacenar alimentos congelados, congelar alimentos frescos y hacer cubitos de hielo.
- Para congelar alimentos frescos, envolver y sellar los alimentos frescos adecuadamente, es decir, el envase debe ser hermético y no debe tener filtraciones. Son ideales las bolsas especiales para congeladores, las bolsas de polietileno con papel de aluminio y los recipientes de plástico.
- No almacene alimentos frescos junto a alimentos congelados, ya que estos podrían descongelarse.
- Antes de congelar alimentos frescos, divídalos en porciones que se puedan consumir de una sentada.
- Los alimentos descongelados deben consumirse en un corto período de tiempo.

- No coloque nunca alimentos calientes en el congelador, ya que descongelarán los alimentos congelados.
- A la hora de almacenar alimentos, siga las instrucciones proporcionadas por el fabricante en el envase del alimento. Si un alimento no proporciona información en su envase, no debe almacenarse más de 3 meses tras la fecha de compra.
- Al comprar alimentos congelados, asegúrese de que se hayan almacenado en condiciones adecuadas y que no se haya dañado el envase.
- Los alimentos congelados deben transportarse en contenedores adecuados y colocarse en el congelador lo antes posible.
- No compre alimentos congelados si el envase presenta indicios de humedad o está hinchado de forma anómala. Puede que se haya almacenado a una temperatura inadecuada y que el contenido se haya deteriorado.
- El tiempo de conservación de los alimentos congelados depende de la temperatura ambiental, la temperatura seleccionada en el termostato, la frecuencia con la que se abre la puerta, el tipo de alimento y el tiempo transcurrido para transportar el producto desde la tienda hasta el domicilio. Siga en todo momento las instrucciones impresas en el envase y no supere nunca el tiempo de conservación indicado.
- En la etiqueta del aparato se muestra la cantidad máxima de alimentos frescos (en kg) que se puede congelar en un período de 24 horas.

NOTA: Si intenta abrir la puerta del congelador justo después de haberla cerrado, verá que cuesta abrirla. Es normal. Una vez que se haya alcanzado el equilibrio, la puerta se abrirá con facilidad.

Nota importante:


- No vuelva a congelar alimentos ya descongelados.

- El sabor de algunas especias de platos cocinados (anís, basilica, berros, vinagre, especias variadas, jengibre, ajo, cebolla, mostaza, tomillo, mejorana, pimienta negra, etc.) cambia y coge un sabor fuerte cuando se guardan durante mucho tiempo. Por este motivo recomendamos añadir pequeñas cantidades de especias a los alimentos que vaya a congelar o añadir las especias que se desee tras descongelar los alimentos.
- El tiempo de conservación de los alimentos depende del aceite que se utilice. Algunos de los aceites adecuados para conservar alimentos son margarina, grasa de ternero, aceite de oliva y mantequilla. El aceite de cacahuete y la grasa de cerdo no sirven para conservar alimentos.
- Los alimentos líquidos deben congelarse en recipientes de plástico. El resto de alimentos debe congelarse en bolsas o film de plástico.



La siguiente tabla le servirá de referencia rápida para determinar la manera más eficaz de almacenar los principales grupos de alimentos en el congelador.

Carne y pescado	Preparación	Tiempo máximo de conservación (meses)
Bistec	Envolver en film.	6 - 8
Carne de cordero	Envolver en film.	6 - 8
Ternera asada	Envolver en film.	6 - 8
Tacos de ternera	En trozos pequeños.	6 - 8
Tacos de cordero	En trozos.	4 - 8
Carne picada	En un envase sin especias.	1 - 3
Menudillos (piezas)	En trozos.	1 - 3
Salami/salchichas de Bolonia	Se deben guardar en un paquete aunque tengan piel.	
Pollo y pavo	Envolver en film.	4 - 6
Ganso y pato	Envolver en film.	4 - 6
Ciervo, conejo y jabalí	En porciones de 2,5 kg o en filetes.	6 - 8
Pescados de agua dulce (salmón, carpa, siluro)	Tras limpiar las entrañas y escamas del pescado, lávelo y séquelo. Si fuese necesario, quítele la cola y la cabeza.	2
Pescados magros (lubina, rodaballo, lenguado)		4
Pescados grasos (atún, verdel, anjova, anchoa)		2 - 4
Mariscos	Limpios y en una bolsa.	4 - 6

Carne y pescado	Preparación	Tiempo máximo de conservación (meses)
Caviar	En su envase o en un contenedor de aluminio o de plástico.	2 - 3
Caracoles	En agua salada o en un contenedor de aluminio o de plástico.	3
 NOTA: La carne descongelada se debe cocinar como si fuese carne fresca. Si no se cocina la carne tras haberla descongelado, no debe volver a congelarse.		


Vegetales y frutas	Preparación	Tiempo máximo de conservación (meses)
Habichuelas y alubias	Lavar, cortar en trozos pequeños y hervir en agua.	10 - 13
Alubias	Pelar, lavar y hervir en agua.	12
Repollo	Limpiar y hervir en agua.	6 - 8
Zanahoria	Limpiar, cortar en rodajas y hervir en agua.	12
Pimienta	Cortar el tallo, cortar en dos trozos, quitar el corazón y hervir en agua.	8 - 10
Espinacas	Lavar y hervir en agua.	6 - 9
Coliflor	Quitar las hojas, cortar en pedazos el corazón y dejar en agua con un poco de jugo de limón durante un rato.	10 - 12
Berenjena	Cortar en trozos de 2 cm tras lavar.	10 - 12
Maíz	Limpiar y envasar con su tallo o como maíz tierno.	12
Manzanas y peras	Pelar y cortar en rodajas.	8 - 10
Albaricoques y melocotones	Cortar en dos trozos y quitar la pipá.	4 - 6
Fresas y moras	Lavar y pelar.	8 - 12
Frutas cocinadas	Añadir un 10 % de azúcar al contenedor.	12
Ciruelas, cerezas y bayas agrias	Lavar y pelar los tallos.	8 - 12


	Tiempo máximo de conservación (meses)	Tiempo de descongelación a temperatura ambiental (horas)	Tiempo de descongelación en horno (minutos)
Pan	4 - 6	2 - 3	4-5 (220-225 °C)
Galletas	3 - 6	1 - 1,5	5-8 (190-200 °C)
Pastelitos	1 - 3	2 - 3	5-10 (200-225 °C)
Pastel	1 - 1,5	3 - 4	5-8 (190-200 °C)
Masa de hojaldre	2 - 3	1 - 1,5	5-8 (190-200 °C)
Pizza	2 - 3	2 - 4	15-20 (200 °C)


Productos lácteos	Preparación	Tiempo máximo de conservación (meses)	Condiciones de almacenamiento
Leche envasada (homogeneizada)	En su propio envase.	2 - 3	Leche pura: en su propio envase.

Productos lácteos	Preparación	Tiempo máximo de conservación (meses)	Condiciones de almacenamiento
Queso (salvo el queso blanco)	En lonchas.	6 - 8	El envase original se puede utilizar para un almacenamiento de corta duración. Para períodos más largos, mantener envuelto en film.
Mantequilla y margarina	En su envase.	6	



5 LIMPIEZA Y MANTENIMIENTO

 Antes de realizar tareas de limpieza, desconecte la unidad del suministro eléctrico.

 No lave el aparato vertiendo agua sobre él.

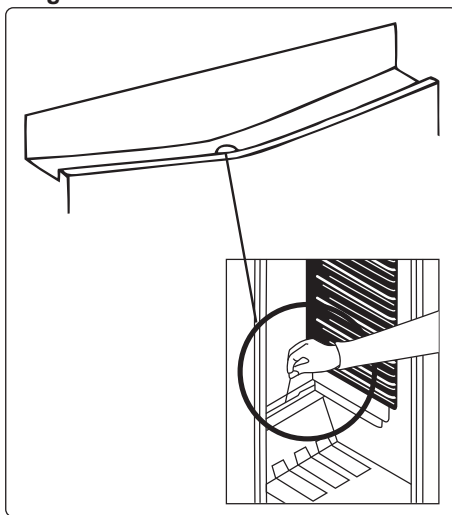
 No utilice jabones, detergentes ni productos abrasivos para limpiar el aparato. Después de haberlo lavado, enjuáguelo con agua limpia y séquelo con cuidado. Cuando haya terminado de limpiarlo, vuelva a conectar el enchufe a la red eléctrica con las manos secas.

- Asegúrese de que no entre agua en el receptáculo de las luces ni otros componentes eléctricos.
- El aparato debe limpiarse periódicamente con una solución de agua tibia y bicarbonato sódico.
- Limpie los accesorios por separado, a mano y con agua y jabón. No lave los accesorios en el lavavajillas.
- Limpie el condensador con un cepillo al menos dos veces al año. Esto le ayudará a ahorrar en electricidad y a mejorar la productividad.

  **Durante las tareas de limpieza debe desconectarse el aparato de la red eléctrica.**

5.1 Descongelación

Descongelación del compartimento del refrigerador



- El uso normal del refrigerador hace que se acumule escarcha automáticamente en su interior. La bandeja de evaporación recoge el agua, que se evapora automáticamente.
- La bandeja de evaporación y el orificio de desagüe deben limpiarse periódicamente con el tapón de desagüe de descongelación para impedir que el agua se acumule en la parte inferior del refrigerador en lugar de fluir hacia el exterior.
- También puede limpiar el orificio de desagüe vertiendo medio vaso de agua en él.

Compartimento del congelador

La escarcha que se acumula en el congelador debe retirarse de manera regular mediante el rascador de plástico suministrado. El compartimento del congelador se debe limpiar al menos dos veces al año del mismo modo que el compartimento del refrigerador, es decir, mediante la función de descongelación.

Para ello:

- El día antes de realizar la descongelación, coloque el selector de temperatura del termostato en la posición "5" para congelar por completo los alimentos.
- Durante la descongelación, los alimentos congelados deben mantenerse envueltos en varias capas de papel y deben conservarse en un lugar fresco. El inevitable aumento de la temperatura reducirá su tiempo de conservación. Recuerde que estos alimentos deben consumirse en un período de tiempo relativamente corto.
- Coloque el selector del termostato en la posición "•" y desconecte el aparato de la red eléctrica. Deje la puerta abierta hasta que la unidad se haya descongelado por completo.
- Para acelerar el proceso de descongelación, coloque uno o varios cuencos de agua caliente en el compartimento del congelador.
- Seque el interior de la unidad con cuidado y coloque el selector del termostato en la posición MAX (MÁX.).

Cambio de las luces LED



Si el **aparato** dispone de luces LED, póngase en contacto con el servicio de soporte técnico, ya que solo debe cambiarlas personal autorizado.

6 TRANSPORTE Y REUBICACIÓN

6.1 Transporte y reubicación

- El embalaje original y la espuma se pueden conservar para volver a transportar el aparato (opcional).
- Sujete el aparato con un embalaje grueso, bandas o cuerdas fuertes y siga las instrucciones de transporte que se suministran en el embalaje.
- Cuando vaya a reubicar o transportar el aparato, quite todas las piezas móviles (estantes, accesorios, cajones para vegetales, etc.) o fíjelas al aparato protegiéndolas con bandas de los golpes.



El aparato debe transportarse siempre en posición vertical.

7 ANTES DE LLAMAR AL SERVICIO DE POSVENTA

Si su refrigerador no funciona adecuadamente, puede que haya un problema menor. Compruebe lo siguiente.

El aparato no funciona

Compruebe lo siguiente:

- Hay electricidad.
- El aparato está conectado a la red eléctrica.
- El termostato se encuentra en la posición “e”.
- La toma eléctrica está defectuosa. Para comprobarlo, conecte otro aparato que funcione a dicha toma.

El aparato no funciona bien

Compruebe lo siguiente:

- El aparato está sobrecargado.
- Las puertas están bien cerradas.
- Hay polvo en el condensador.
- Hay suficiente espacio cerca de las paredes trasera y laterales.

El aparato hace ruido

El gas de refrigeración que circula por el circuito refrigerador puede hacer un poco de ruido (sonido de burbujas) incluso cuando el compresor no esté trabajando. No se preocupe, es normal. Si oye otro tipo de ruido, compruebe que:

- El aparato esté nivelado.
- No haya nada en contacto con la parte trasera del aparato.
- Haya objetos en el aparato que estén vibrando.

Hay agua en la parte inferior del refrigerador

Compruebe lo siguiente:

El orificio de desagüe no está atascado (utilice el tapón del desagüe de descongelación para limpiar el orificio de desagüe).

Recomendaciones

- Si se apaga o desenchufa el aparato, debe dejar pasar al menos 5 minutos antes de volver a enchufar o encender la unidad para evitar que se dañe el compresor.
- La unidad de refrigeración del refrigerador se encuentra en la parte trasera del aparato. Por consiguiente, puede que se formen gotas de agua o hielo en la superficie trasera del refrigerador debido al funcionamiento del compresor a intervalos especificados. Esto es normal, no hace falta descongelar el aparato salvo que haya una cantidad excesiva de hielo.
- Desenchufe el refrigerador si no lo va a utilizar durante mucho tiempo (por ejemplo, durante las vacaciones de verano). Limpie el refrigerador de acuerdo con el capítulo dedicado a la limpieza y deje la puerta abierta para evitar humedad y olores.
- Si tras seguir las instrucciones proporcionadas anteriormente sigue habiendo algún problema, póngase en contacto con el centro de servicio autorizado más cercano.
- El aparato que ha comprado solo está diseñado para uso doméstico. No es adecuado para uso comercial o común. Queremos destacar que si el usuario utiliza el aparato de alguna manera que se incumplan estas indicaciones, ni el fabricante ni el distribuidor serán responsables de ninguna reparación ni avería dentro del período de garantía.

8 CONSEJOS PARA AHORRAR ELECTRICIDAD

1. Instale el aparato en una habitación fresca y bien ventilada, donde no reciba la luz directa del sol y no esté cerca de una fuente de calor (como un radiador o un horno). De lo contrario, debería utilizarse una placa aislante.
2. Deje que los alimentos y las bebidas calientes se enfríen antes de colocarlos en el aparato.
3. Coloque los alimentos que se hayan descongelado en el compartimento del refrigerador. La baja temperatura del alimento que se está descongelando ayudará a refrigerar el compartimento del refrigerador. De este modo se reduce el consumo eléctrico. Descongelar alimentos fuera del aparato supone un desperdicio de electricidad.
4. Las bebidas u otro tipo de líquidos deben taparse cuando se coloquen dentro del aparato. Si no se tapan, aumentará la humedad en el interior del aparato, lo que hará que el aparato consuma más electricidad. Mantener tapadas las bebidas y otros líquidos ayuda a conservar su aroma y sabor.
5. Evite dejar las puertas abiertas durante mucho tiempo así como abrirlas muy a menudo, ya que de lo contrario, entrará aire caliente en el aparato y hará que el compresor tenga que trabajar a menudo de manera innecesaria.
6. Mantenga cerradas las cubiertas de los distintos compartimentos de temperatura (como el cajón para fruta y verdura y el enfriador).
7. La junta de estanqueidad de la puerta debe estar limpia y flexible. Cambie las juntas de estanqueidad si están gastadas.

1. DEL PRED UPORABO VAŠEGA HLADILNIKA

Splošna opozorila

! **OPOZORILO:** Ventilacijske odprtine v ohišju naprave ali v obdani zaščiti naj bodo brez ovir.

! **OPOZORILO:** Ne uporabljajte mehaničnih naprav ali drugih sredstev za pospeševanje procesa odmrzovanja, razen tega, kar priporoča proizvajalec.


! **OPOZORILO:** Ne uporabljajte električnih naprav v notranjosti delov naprave za shranjevanje živil, razen če so takšne vrste, ki jih priporoča proizvajalec.

! **OPOZORILO:** Ne poškodujte hladilnega sistema.

! **OPOZORILO:** Pri namestitvi naprave se prepričajte, da napajalni kabel ni zataknjen ali poškodovan.

! **OPOZORILO:** Na zadnji del naprave na nameščajte več prenosnih vtičnic ali prenosnih virov napajanja.

! **OPOZORILO:** Da bi se izognili nevarnosti zaradi nestabilne naprave, jo morate namestiti v skladu z navodili.

 Če vaša naprava uporablja hladilno sredstvo R600a - te podatke si lahko preberete z etikete na hladilniku - morate biti previdni med prevozom in MONTAŽO, da se hladilni elementi v vašem aparatu ne poškodujejo. Čeprav je R600a okolju prijazen, pa je zemeljski plin. Je eksploziven, in zato v primeru uhajanja plina, ki se je pojavil zaradi poškodb hladilnih elementov, premaknite svoj hladilnik v stran od odprtega ognja ali virov toplote ter za nekaj minut prezračite sobo, kjer se nahaja naprava.

- Med prevažanjem in namestitvijo hladilnika, nikar ne poškoduje hladilnih elementov hladilnika.
- V tej napravi ne hranite eksplozivnih snovi, kot so pločevinke aerosola z vnetljivim pogonskim plinom.
- Ta naprava je namenjena za uporabo v hišah in podobno,

kot je:

- kuhinjska območja za osebje v trgovinah, pisarnah in drugih delovnih okoljih,
 - kmetije in stranke v hotelih in drugih podobnih stanovanjskih okoljih,
 - hostlih, motelih,
 - menzah in podobnih veleprodajah.
- Če se vtičnica ne ujema z vtičem hladilnika, ga mora zamenjati proizvajalec, serviser ali podobna usposobljena oseba, da ne pride do nevarnosti.
 - Na napajalni kabel vašega hladilnika je bil povezan poseben ozemljeni vtič. Ta vtič se mora uporabljati s posebno ozemljeno vtičnico s 16 Amperi. Če v vaši hiši ni takšne vtičnice, naj vam jo namesti usposobljeni električar.
 - To napravo lahko uporabljajo otroci, stari 8 let ali več in osebe, ki imajo zmanjšane telesne, čutne ali umske zmožnosti ali so brez izkušenj in znanja, če so pod nadzorom ali so prejele navodila za varno uporabo naprave in razumejo vpletena tveganja. Otroci se ne smejo igrati z napravo. Otroci ne smejo opravljati čiščenja ali vzdrževanja naprave brez nadzora.
 - Če je napajalni kabel poškodovan, ga mora zamenjati proizvajalec, serviser ali podobna usposobljena oseba, da bi se izognili tveganjem.
 - **Otrokom starosti od 3 do 8 let je dovoljeno napolniti in izprazniti hladilne naprave. Otroci naj ne opravljajo čiščenja ali vzdrževanja naprave, zelo majhni otroci (od 0 do 3 let) naprav naj ne uporabljajo, od majhnih otroci (od 3-8 let) ne pričakujemo, da naprave uporabljajo varno, razen če so pod stalnim nadzorom, starejši otroci (8-14 let) in ranljivi ljudi lahko naprave uporabljajo varno z ustreznim spremstvom ali po navodilih o uporabi naprave. Od bolj ranljivih oseb se ne pričakuje, da naprave uporabljajo varno, razen, če so z ustreznim spremstvom.**

- Ta naprava ni namenjena za uporabo na višini, ki presega 2000 m.

Da bi se izogibali kontaminaciji hrane, prosimo upoštevajte naslednja navodila:

- Predolgo odprta vrata lahko povzročajo znatno povečanje temperature v predalih naprave.
- Redno čistite površine, ki lahko pridejo v stik z hrano in dosegljivimi odvodnimi sistemi.
- Surovo meso in ribe hranite v ustreznih posodah v hladilniku, ne da bi prišli v stik ali kapljali na ostalo hrano.
- Predali z zamrznjeno hrano z dvema zvezdicama so primerni za shranjevanje zamrznjene hrane, shranjevanje ali pripravo sladoleda ter pripravo ledenih kock.
- Predali z eno, dvema in tremi zvezdicami niso primerni za zamrzovanje sveže hrane.
- Če hladilnik nameravamo ostaviti prazen dalj časa, ga izklopimo, odtajamo, očistimo, posušimo ter ostavimo vrata odprta, da bi preprečili nastanek plesni v napravi.

Stari in nedelujoči hladilniki

- Če ima vaš stari hladilnik ključavnico, jo zlomite ali jo odstranite preden ga zavržete, saj se lahko otroci ujamejo vanj, kar lahko povzroči nesrečo.



- Stari hladilniki in zamrzovalniki vsebujejo izolacijski material in hladilno sredstvo s CFCjem. Zato pazite, da ne škodujete okolju, ko se vaši stari hladilniki zavržejo.
- Prosimo, da se posvetujete s svojim občinskim organom o odstranjevanju OEEO za namene ponovne uporabe, recikliranja in predelave.

Opombe:

- Prosimo, skrbno preberite navodila za uporabo pred namestitvijo in uporabo vaše naprave. Naše podjetje ne odgovarja za nastalo škodo zaradi napačne uporabe.
- Sledite vsem navodilom na napravi in navodilom priročnika za uporabo, in ta priročnik hranite na varnem mestu, da rešite težave, ki se lahko pojavijo v prihodnosti.
- Ta naprava je proizvedena za uporabo v domovih in se lahko uporablja le v gospodinjstvih okoljih in za določene namene. Ni primerna za poslovno ali skupno uporabo. Takšna nenamenska uporaba prekine jamstvo za napravo in naše podjetje ne odgovarja za možno škodo.
- Ta naprava je proizvedena za uporabo v hišah in je primerna le za hlajenje/shranjevanje hrane. Ni primerna za poslovno ali skupno uporabo in/ali za shranjevanje snovi, razen za hrano. Naše podjetje ne odgovarja za škodo, ki se v nasprotnem primeru lahko zgodi.

Varnostna opozorila

- Ne uporabljajte večdelnih vtičnic ali podaljška.
- Ne uporabljajte vtičev, katerih kabel je poškodovan, strgan ali obrabljen.
- Ne vlecite, zvijajte in ne poškodujte kabla.



- Ta izdelek je namenjen za uporabo s strani odraslih, prosimo, ne pustite, da se otroci igrajo z napravo in se obešajo z rokami na vrata.
- Vtiča iz vtičnice nikoli ne vlecite z mokrimi rokami, da ne pride do električnega udara!
- Nikoli ne postavljajte pijač v steklenicah in pločevinkah v predel za izdelavo ledu. Steklenice in pločevinke lahko eksplodirajo.
- Zaradi vaše varnost, prosimo, da ne postavljajte nobenih eksplozivnih in vnetljivih snovi v hladilnik. Pijače z visoko vsebnostjo alkohola postavite v hladilnem predelu naprave tesno zaprte z njihovimi pokrovi in v navpičnem položaju.
- Izogibajte se stiku rok z izvzetim ledom, ki je bil ustvarjen v predelu za izdelavo ledu, saj lahko led povzroči opekline in/ali vreznine.
- Ne dotikajte se zamrznjenih živil z golimi rokami! Ne jejte sladoleda in kock ledu takoj za tem, ko ste jih vzeli iz predela za zamrzovanje!
- Ta izdelek je namenjen svežim živilom in pijačam. Sveža živila in pijače hranite le kratek čas.



- V predelu za izdelavo ledu ne hranite zamrznjenih živil in ga ne uporabljajte za zamrzovanje živil.
- Ne zamrzujte ponovno prej zamrznjeno hrano, ko se je že stalila. To je lahko nevarno za vaše zdravje, saj lahko povzroči težave, kot je zastrupitev s hrano.
- Za odstranjevanje ledu ne uporabljajte električnih naprav, pršil za odmrzovanje ali koničastih ali ostrih predmetov, kot so noži ali vilice.
- Ne pokrivajte ohišje in/ali zgornjo stran hladilnika s čipko. To bo negativno vplivalo na delovanje hladilnika.
- Zavarujte dodatke v hladilniku, da bi preprečili njihovo poškodbo, medtem ko ga premikate.

Namestitev in delovanje vašega hladilnika

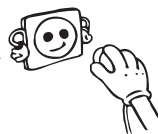
Pred začetkom uporabe vašega hladilnika, upoštevajte naslednje točke:

- Delovna napetost vašega hladilnika je 220-240 V in 50 Hz.
- Naše podjetje ne odgovarja za škodo, ki lahko nastane zaradi uporabe brez nameščene ozemljitve.
- Postavite svoj hladilnik na primerno mesto, da ne bo izpostavljen neposredni sončni svetlobi.
- Vaša naprava bi morala biti vsaj 50 cm stran od kuhalnikov, plinskih pečic in radiatorjev ter vsaj 5 cm stran od električnih pečic.
- Vaš hladilnik se ne sme uporabljati na prostem in ne sme stati na dežju.
- Če je vaš hladilnik v bližini zamrzovalnika, morate pustiti prostor vsaj 2 cm med njima, da bi preprečili kondenzacijo na zunanjih površinah.
- Ne postavljajte težkih predmetov na vaš hladilnik in postavite hladilnik na primerno mesto tako, da bo na vrhu prostora za minimalno 15 cm.
- Ustrezno prilagodite nastavljive sprednje nogice, da zagotovite, da je vaša naprava ravna in stabilna. To lahko zagotovite z obračanjem nogic v smeri urinega kazalca (ali v nasprotni smeri). Ta proces opravite, preden položite živilo v hladilnik.
- Pred uporabo hladilnika, obrišite vse dele s toplo vodo, ki ji dodate eno žličko jedilne sode, nato pa jih sperite s čisto vodo in posušite. Po zaključenem čiščenju, postaviti vse dele nazaj na svoje mesto.



Pred uporabo vašega hladilnika

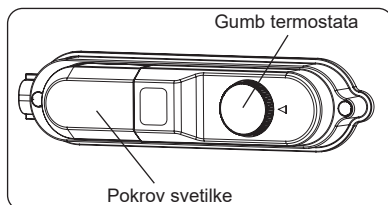
- Med prvim delovanjem ali za zagotovitev učinkovitega delovanja naprave po premeščanju, dovolite vašemu hladilniku, da ostane nedejaven za 3 ure (v navpičnem položaju), nato vstavite vtikač v vtičnico. V nasprotnem primeru lahko poškodujete kompresor.
- Prvič, ko deluje vaš hladilnik, lahko vonjate smrad. Ta vonj mora izginiti, ko začne vaš hladilnik hlajenje.



2. DEL UPORABA NAPRAVE

Nastavitev termostata

Termostat samodejno uravnava temperaturo v notranjosti predela hladilnika in zamrzovalnika. Temperaturo lahko nastavite z obračanjem guma od položaja 1 do 5.



Pomembno obvestilo: Ne obračajte gumba pred položaj 1, saj boste tedaj ugasnili aparat!

- Za kratkotrajno shranjevanje hrane v predelu zamrzovalnika lahko nastavite gumb med najnižji in srednji položaj.(1-3)
- Za dolgotrajno shranjevanje hrane v predelu zamrzovalnika lahko nastavite gumb v srednji položaj.(3-4)
- (5) Za zamrzovanje sveže hrane. Naprava bo delovala dlje. Ko je hrana dovolj zamrznjena, nastavite temperaturo nazaj na prejšnjo nastavitev.

Opozorila o nastavitvah temperature

- Zaradi njegove učinkovitosti hladilnika ni priporočeno uporabljati v okoljih, ki so hladnejša od 10 °C.
- Temperaturo je treba prilagoditi glede na pogostost odpiranja vrat in količino hrane, ki jo hranite v hladilniku.
- Ne preidite na drugo nastavitev, dokler ne zaključite ene nastavitve.
- Vaš hladilnik mora delovati do 24 ur glede na temperaturo okolja brez prekinitve, po tem, ko ste ga vključili, da se popolnoma ohladi. V tem času ne odpirajte vrat hladilnika prepogosto in vanj ne polagajte preveč hrane.
- Funkcija 5-minutne zakasnitve se uporablja za preprečevanje okvare kompresorja hladilnika, ko ga izklopite in nato ponovno vključite ali pa ko pride do izpada elektrike. Vaš hladilnik bo začel normalno delovati po 5 minutah.
- Vaš hladilnik je oblikovan za delovanje v intervalih temperature okolja, ki so navedeni v standardih glede na razred podnebja, ki je naveden na etiketi s podatki. Zaradi učinkovitosti hlajenja vašega hladilnika ni priporočeno uporabljati zunaj navedenih temperaturnih omejitev.
- Ta naprava je zasnovana za uporabo v okoljski temperaturi med 16 °C - 32 °C.

Klimatski razred in pomen

T (tropski): Hladilni aparat je namenjen za uporabo pri zunanjih temperaturah od 16 °C do 43 °C.

ST (subtropski): Hladilni aparat je namenjen za uporabo pri zunanjih temperaturah od 16 °C do 38 °C.

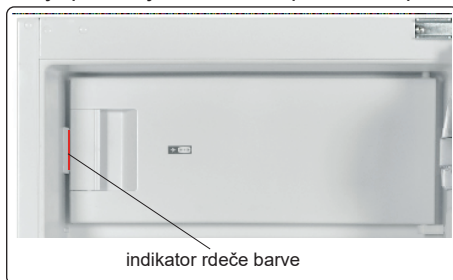
N (zmerno): Hladilni aparat je namenjen za uporabo pri zunanjih temperaturah od 16 °C do 32 °C.

SN (razširjeno zmerno): Hladilni aparat je namenjen za uporabo pri zunanjih temperaturah od 10 °C do 32 °C.

Dodatki

Indikator »odprtih vrat«;

Indikator »odprtih vrat« na ročaju prikazuje ali so vrata pravilno zaprta ali so še vedno odprta.

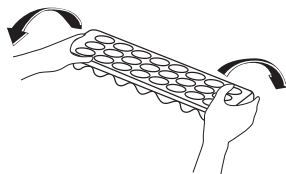
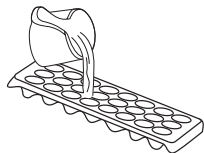


- Če je indikator rdeče barve, so vrata še vedno odprta.
- Če je indikator bele barve, so vrata pravilno zaprta.
- Pazite, da so vrata zamrzovalnika vedno zaprta. S tem boste preprečili odtajanje živil; preprečili boste nabiranje velike količine ledu in zmrzali v notranjosti zamrzovalnika in nepotrebno povečano porabo energije .

Izdelava ledenih kock

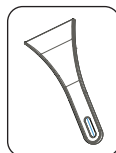
Pladenj za led;

- Napolnite pladenj za led z vodo in ga položite v predel zamrzovalnika.
- Ko se voda spremeni v led, lahko zavrtite pladenj, kot je prikazano spodaj, da dobite ledene kocke.



Plastično strgalo

Po določenem času se na določenih mestih v predelu zamrzovalnika nakopiči zmrzal. Zmrzal, ki se nakopiči v zamrzovalniku, je treba redno odstranjevati. Uporabite priloženo plastično strgalo, če je to potrebno. Za to ne uporabljajte ostrih kovinskih predmetov. Lahko predejo tokokrog hladilnika in povzročijo nepopravljivo okvaro enote.



3. DEL SHRANJEVANJE HRANE V NAPRAVI

Predel hladilnika

Predel hladilnika se uporablja za shranjevanje sveže hrane za nekaj dni.

- Pazite, da hrana ni v neposrednem stiku z zadnjo steno predela hladilnika. Pustite nekaj prostora okoli hrane, da omogočite prosto kroženje zraka.
- V hladilnik ne postavljajte vroče hrane ali tekočine, ki hlapi. hrano vedno shranjujte v zaprtih posodah ali zavito.
- Če želite zmanjšati vlažnost in posledično nabiranje ledu, v hladilnik nikoli ne postavljajte tekočih v nezaprtih posodah.

- Meso vseh vrst, zavito v paketih, je priporočeno položiti na stekleno polico tik nad košaro za zelenjavo, kjer je zrak hladnejši.
- Sadje in zelenjavo lahko postavite v osvežilnik brez embalaže.
- Da bi se izognili uhajanju hladnega zraka, pazite, da vrat ne odpirate prepogosto in da niso odprta dlje časa.
- V običajnih delovnih pogojih bo zadostovalo, če nastavite temperaturo vašega hladilnika na +4 °C.
- Temperatura predela hladilnika mora biti med 0 in 8 °C, sveža hrana pod 0 °C se zamrzne in zgornje, nastajanje bakterij se nad 8 °C poveča in pokvari hrano.
- Vroče hrane v hladilnik ne vstavljajte takoj, ampak počakajte, da se ohladi zunaj. Vročna hrana poviša temperaturo v hladilniku in povzroči nepotrebno pokvarjeno hrano.
- Meso, ribe ipd. shranjujte v hladilnem predalu, za zelenjavo priporočamo predal za zelenjavo (če je na voljo).
- Da ne bi prišlo do navzkrižne kontaminacije, ne shranjujte mesnih izdelkov skupaj s sadjem in zelenjavo.
- Hrano v hladilnik vstavljajte v zaprtih posodah ali pokrito, da preprečite razširjanje vlage in vonjav.

Hrana	Najdaljši dovoljeni čas hranjenja	Kam postaviti v predel hladilnika
Zelenjava in sadje	1 teden	Košara za zelenjavo
Meso in ribe	2 - 3 dni	Zavito v plastično folijo ali vrečke ali v posodi za meso (na stekleni polici)
Sveži sir	3 - 4 dni	Na posebno polico na vratih
Maslo in margarina	1 teden	Na posebno polico na vratih
Ustekleničeni izdelki, mleko in jogurt	Do izteka roka, ki ga priporoča proizvajalec	Na posebno polico na vratih
Jajca	1 mesec	V predal za jajca
Kuhana hrana	2 dni	Vse police

Predel zamrzovalnika

Predel zamrzovalnika se uporablja za zamrzovanje svežih živil ali shranjevanje zamrznjenih živil za obdobje, ki je označeno na embalaži, ter za izdelavo ledu.


- Za zamrzovanje svežih živil; ustrezno zavijte in zaprite sveža živila v embalažo, ki mora biti nepredušna in ne sme puščati. Posebne vrečke za zamrzovanje, aluminijasta folija (višja stopnja, če ste v dvomu, zavijte dvakrat), polietilenske vrečke in plastične posode so idealne.
- Pazite, da sveža hrana, ki jo želite zamrzniti, ne pride v stik z že zmrznjeno hrano.
- Na paketu vedno označite datum in vsebino in pazite, da se presežete navedenega časa shranjevanja.
- V primeru izpada elektrike ali okvare, predel zamrzovalnika ohranja dovolj nizko temperaturo za shranjevanje živil. Vendar pa se izogibajte odpiranju vrat zamrzovalnika ter tako upočasnite dvig temperature znotraj predela zamrzovalnika.
- Največja količina sveže hrane, ki jo lahko postavite v zamrzovalnik v roku 24 ur je označena na ploščici z imenom (glejte Zmogljivost zamrzovanja).
- V predel zamrzovalnika nikoli ne postavljajte tople hrane.

Pri nakupu in zamrzovanju zamrznjenih živil; pazite, da embalaža ni poškodovana.

- Čas shranjevanja in priporočena temperatura za shranjevanje zamrznjenih živil sta označena na embalaži. Pri shranjevanju in uporabi upoštevajte navodila proizvajalca. Če informacije niso navedene, hrane ne hranite več kot 3 mesece.
- Zamrznjeno hrano čim prej po nakupu postavite v predel zamrzovalnika.
- Ko se hrana enkrat odtaja, je ne smete ponovno zamrzniti; čim prej jo morate skuhati ter jo zaužiti ali ponovno zamrzniti.

Nekatera priporočila za razporejanje in shranjevanje hrane v predel zamrzovanja so navedena spodaj.

Meso in ribe	Priprava	Najdaljši dovoljeni čas hranjenja (mesec)
Zrezek	Zaviti v folijo	6 - 8
Meso jagnjetine	Zaviti v folijo	6 - 8
Telečja pečenka	Zaviti v folijo	6 - 8
Kocke teletine	V majhnih količinah	6 - 8
Kocke jagnjetine	V koščkih	4 - 8
Mleto meso	V embalažah brez uporabe začimb	1 - 3
Drobovina (koščki)	V koščkih	1 - 3
Bolonjska omaka/ salama	Treba zapakirati, tudi če ima membrano	
Piščanec in puran	Zaviti v folijo	4 - 6
Goska in raca	Zaviti v folijo	4 - 6
Srnjad, zajec, merjasec	V 2,5 kg porcijah in kot fileji	6 - 8
Sladkovodne ribe (postrv, krap, ščuka, pravi som)		2
Pusta riba, morski brancin, robec, morski list	Ko odstranite drobovino in luske, ribo umite in posušite; če potrebno, odrežite rep in glavo.	4
Mastne ribe (tuna, skuša, modra riba, sardoni)		2 - 4
Školjke	Očiščeno in v vrečkah	4 - 6
Kaviar	V lastni embalaži, znotraj aluminijaste ali plastične posode	2 - 3
Polž	V slani vodi, znotraj aluminijaste ali plastične posode	3

 **Opomba:** Zamrznjeno meso je treba po odtajanju skuhati kot sveže meso. Če ni skuhan, po tem ko ste ga odmrznili, nikoli ne sme biti ponovno zamrznjeno.

Zelenjava in sadje	Priprava	Najdaljši dovoljeni čas hranjenja (meseči)
Mladi fižol in fižol	Operemo in narežemo na majhne koščke in zavremo v vodi	10 - 13
Fižol	Oluščimo in operemo ter zavremo v vodi	12
Zelje	Očistimo in zavremo v vodi	6 - 8
Korenček	Operemo in narežemo na rezine ter zavremo v vodi	12
Popper	Odstranite stebila, razdelite ga na dvoje in ločite semena ter zavrite v vodi	8 - 10
Špinača	Operemo in zavremo v vodi	6 - 9
Cvetača	Odstranite liste, prerežite sredico na koščke in jih nekaj časa pustite v vodi, kateri ste dodali malo limoninega soka	10 - 12
Jajčevac	Narezan na 2 cm kose, potem ko smo ga sprali	10 - 12
Koruza	Operemo in pakiramo s stebлом ali kot sladko koruzo	12
Jabolka in hruška	Olupimo in narežemo	8 - 10
Marelice in breskve	Razdelimo na dvoje in odstranimo koščico	4 - 6
Jagode in robide	Operemo in oluščimo	8 - 12
Kuhano sadje	V posodo dodamo 10 % sladkorja	12
Slive, češnje, višnje	Operemo in odstranimo pecelje	8 - 12

Mlečni izdelki	Priprava	Najdaljši dovoljeni čas hranjenja (meseči)	Pogoji hranjenja
Pakirano (homogenizirano) mleko	V lastni embalaži	2 - 3	Čisto mleko - v lastni embalaži
Sir- razen belega sira	V rezinah	6 - 8	Originalno embalažo lahko uporabimo za kratko obdobje shranjevanja. Živila zavijte v folijo za daljše obdobje shranjevanja.
Maslo, margarina	V lastni embalaži	6	

	Najdaljši dovoljeni čas hranjenja (meseči)	Čas odmrzovanja pri sobni temperaturi (ure)	Čas odmrzovanja v pečici (min.)
Kruh	4 - 6	2 - 3	4-5 (220-225 °C)
Keksi	3 - 6	1 - 1,5	5-8 (190-200 °C)
Fino pecivo	1 - 3	2 - 3	5-10 (200-225 °C)
Pita	1 - 1,5	3 - 4	5-8 (190-200 °C)
Listnato testo	2 - 3	1 - 1,5	5-8 (190-200 °C)
Pica	2 - 3	2 - 4	15-20 (200 °C)

4. DEL ČIŠČENJE IN VZDRŽEVANJE

- Ped čiščenjem izklopite enoto iz napajanja.



- Ne čistite naprave z vlivanjem vode.



- Pazite, da voda ne vstopi v ohišje luči in druge električne enote.



- Hladilnik je treba redno čistiti z uporabo raztopine sode bikarbone in mlačne vode.

- Dodatke čistite ločeno z milom in vodo. Ne perite jih v pralnem stroju.



- Ne uporabljajte abrazivnih izdelkov, detergentov ali mil. Po čiščenju, sperite z vodo in previdno posušite. Ko je čiščenje zaključeno, s suhimi rokami ponovno vključite vtič.

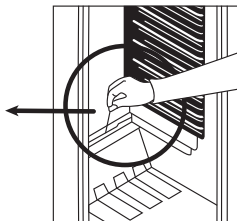
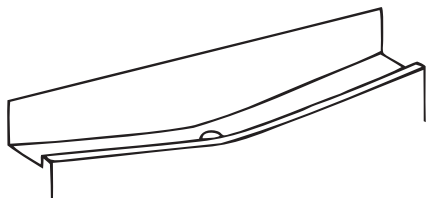


- Kondenzator očistite z metlo vsaj dvakrat na leto, saj boste tako prihranili z energijo in izboljšali delovanje.



Odmrzovanje

Predel hladilnika



- Odtaljevanje se pojavi samodejno v predelu hladilnika med delovanjem; odtaljena voda se zbira na izparilnem pladnju in samodejno izpari.
- Izparilni pladenj in luknjo za odtok odtaljene vode (zadnji del police osvežilnika) je treba redno čistiti, da se voda izteka in da se ne nabira na dnu hladilnika.
- Prav tako lahko vlijete $\frac{1}{2}$ kozarca vode v odtok in tako očistite notranjost.

Predel zamrzovalnika

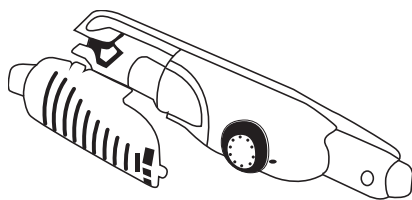
OPOZORILO: Nikoli ne uporabljajte ostrega kovinskega orodja, razen če tega ne priporoča proizvajalec, saj lahko poškodujete tokokrog hladilnika.

Po določenem obdobju se na določenih mestih predela zamrzovalnika nabere zmrzal. Zmrzal, ki se nabira v predelu zamrzovalnika, je treba redno odstranjevati (uporabite plastično strgalo, če je na voljo).

Če plast zmrzali preseže 3-5 mm, je treba opraviti popolno odtaljevanje, da ohranite učinkovitost zamrzovalnika.

- Dan pred odtaljevanjem nastavite termostat v 5. položaj, da popolnoma zamrznete hrano.
- Med odtaljevanjem, zamrznjeno hrano zavijte v več plasti papirja in hranite na hladnem. Neizogiben dvig temperature bo skrajšal življenjsko dobo shranjevanja živil. Ne pozabite teh živil uporabiti v najkrajšem možnem času.
- Nastavite gumb termostata v položaj »•« in izklopite napravo.
- Pustite vrata odprta in še pospešite odtaljevanje. Odstranite odtaljeno vodo.
- Ročno očistite notranjost z uporabo mlačne vode in malo čistilnega sredstva. Nikoli ne uporabljajte abrazivnih izdelkov ali agresivnih čistilnih sredstev.
- Posušite notranjost enote, vključite napajanje ter nastavite gumb termostata v položaj »5«. Po 24 urah ponastavite termostat na zeleni položaj.

Zamenjava žarnice



Pri zamenjavi luči predela hladilnika;

1. Izklopite enoto iz napajanja.
2. Pritisnite na kaveljčke na straneh pokrova luči in ga odstranite.
3. Zamenjajte obstoječo žarnico z novo, ki nima več kot 15 W.
4. Zamenjajte pokrov luči in po 5 minutah čakanja vključite enoto.

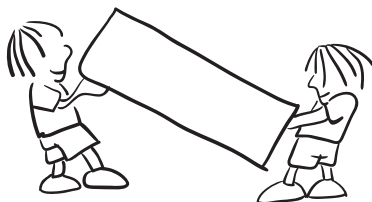
Zamenjava LED osvetlitve

Če ima Vaš hladilnik LED osvetlitev, se obrnite na pomoč, saj jo lahko zamenja le pooblaščen osebje.

5. DEL PREVAŽANJE IN PREMIKANJE

Prevažanje in premikanje

- Originalno embalažno in penasti polistiren je mogoče skriti, če je to potrebno.
- Med prevozom je treba napravo privezati s širokim trakom ali močno vrvjo. Med prevažanjem je treba upoštevati pravila, ki so zapisana na rebrasti škatli.
- Pred prevažanjem ali premikanjem naprave, vse premikajoče dele (npr. police, osvežilnik itd.) odstranite ali pritrdite s trakovi, da preprečite tresenje.



6. DEL PRED KLIČANJEM POPRODAJNEGA SERVISERJA

Če vaš hladilnik ne deluje pravilno, je lahko vzrok le manjša težava, zato preverite naslednje.

Naprava ne deluje;

Preverite, ali:

- Je prišlo do izpada elektrike,
- Je vtič pravilno vključen ali je razrahljan,
- Ni termostat nastavljen na položaj »•«,
- Vtičnica deluje. Če želite preveriti, v isto vtičnico vključite drugo napravo, za katero veste da deluje.

Naprava slabo deluje;

Preverite, ali:

- Niste preobremenili naprave,
- So vrata popolnoma zaprta,
- Je na kuhinjski enoti dovolj prezračevalnih kanalov, kot je navedeno v Priročniku za namestitvev,

Če slišite hrup;

Hladilni plin, ki kroži v hladilnem sistemu, lahko proizvaja rahel hrup (brbotanje), tudi ko kompresor ne deluje. Ne skrbite, to je povsem običajno. Če so ti zvoki drugačni, preverite, ali:

- Je naprava trdo nameščena, kot je opisano v Priročniku za namestitve,
- Reči na napravi ne vibrirajo.

Če je v spodnjem delu hladilnika voda;

Preverite, ali:

Je odtočna cev za odtajljeno vodo zamašena (uporabite odtočni vtič in očistite odtočno cev).

Če vaš hladilnik ne hladi dovolj;

Vaš hladilnik je oblikovan za delovanje v intervalih temperature okolja, ki so navedeni v standardih glede na razred podnebja, ki je naveden na etiketi s podatki. Zaradi učinkovitosti hlajenja vašega hladilnika ni priporočeno uporabljati zunaj navedenih temperaturnih omejitev.

Priporočila

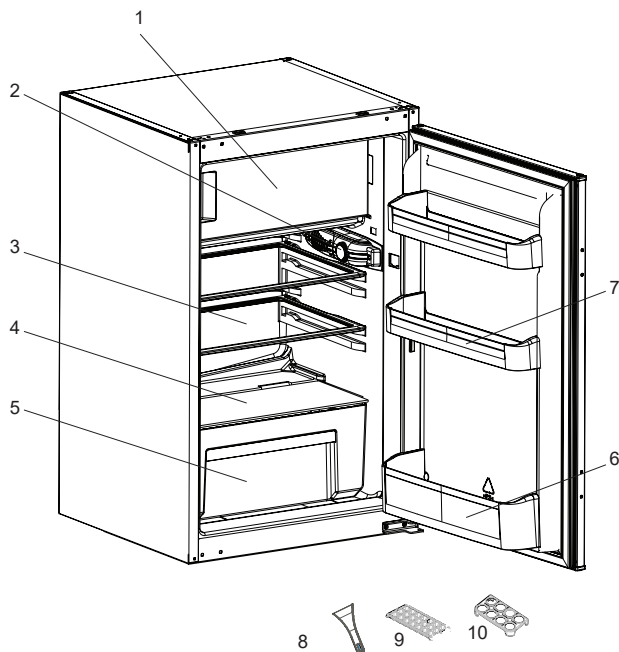
- Med izpadom elektrike izključite hladilnik iz napajanja, da preprečite težave s kompresorjem. Ko se oskrba z elektriko povrne, počakajte 5-10 minut in še le nato vključite hladilnik v napajanje. Če z razlogom izključite hladilnik iz napajanja, počakajte vsaj 5 minut preden ga ponovno vključite. Tako preprečite okvaro delov hladilnika.
- Hladilna enota vašega hladilnika je skrita na zadnji steni. Zato se lahko na zadnji površini vašega hladilnika pojavijo kapljice vode ali led, zaradi delovanja kompresorja v določenih intervalih. To je običajno. Postopek odtajanja ledu ni potreben, razen če je količina ledu pretirana.
- Če dlje časa ne boste uporabljali vašega hladilnika (npr. poletne počitnice), dajte termostat v položaj »•«. Po odtajanju očistite hladilnik in pustite vrata odprta, da preprečite nabiranje vlage in neprijetnega vonja.
- Če težava še ni odpravljena, potem ko ste sledili vsem zgornjim navodilom, se obrnite na najbližji pooblaščen servis.
- Naprava, ki ste jo kupili, je namenjena samo za domačo uporabo in za navedene namene. Ni primerna za poslovno ali skupno uporabo. Če potrošnik uporablja napravo na način, ki ni v skladu s to funkcijo, poudarjamo, da proizvajalec in trgovec nista odgovorna za popravila in okvare v garancijskem roku.
- Življenjska doba vaše naprave, ki je navedena s strani Ministrstva za industrijo (obdobje za delovanje delov, ki je potrebno za ustrezno delovanje naprave) je 10 let.

Nasveti za varčevanje z energijo

1. Namestite napravo v hladno, dobro prezračevano sobo, vendar ne pod neposredno sončno svetlobo in ne v bližino virov toplote (radiator, štedilnik itd.). V nasprotnem primeru uporabite izolirno ploščo.
2. Dovolite, da se obdelana hrana in pijača ohladi zunaj naprave.
3. Ko odtajate zamrznjeno hrano, jo postavite v predal hladilnika. Nizke temperature zamrznjenih živil bodo pomagale hladiti predel v hladilniku, ko se bodo odtajale. To omogoča varčevanje z energijo. Če je zamrznjena hrana dana ven, povzroča zapravljane energije.
4. Če dajete noter pijače in tekočine, jih zaprite. V nasprotnem primeru se v napravi poveča vlaga. Zato se delovni čas ohlajevanja podaljša. Pokritost pijač in tekočin pomaga preprečiti vonjave in spremembe okusov.
5. Ko vnašate hrano in pijačo, odprite vrata za najkrajši možni čas.
6. Vse pokrove za različne temperaturne predele naprave imejte zaprta (osveževalnik, hladilni predel itd.).
7. Tesnilo vrat mora biti čisto in prožnost. Zamenjajte tesnilo, če je to obrabljeno.

7. DEL DELI NAPRAVE IN RAZDELKI

Ta aparat ni namenjen uporabi kot vgradni aparat.



Ta predstavitev delov naprave je le informativne narave.
Deli se lahko razlikujejo glede na model vaše naprave.

- | | |
|--|-----------------------|
| 1) Predel zamrzovalnika | 7) Srednja polica |
| 2) Termostat | 8) Plastično strgalo* |
| 3) Polica hladilnika | 9) Pladenj za led |
| 4) Pokrov osveževalca (varnostno steklo) | 10) Predal za jajca |
| 5) Osveževalec | |
| 6) Polica za steklenice | |

* Pri nekaterih modelih

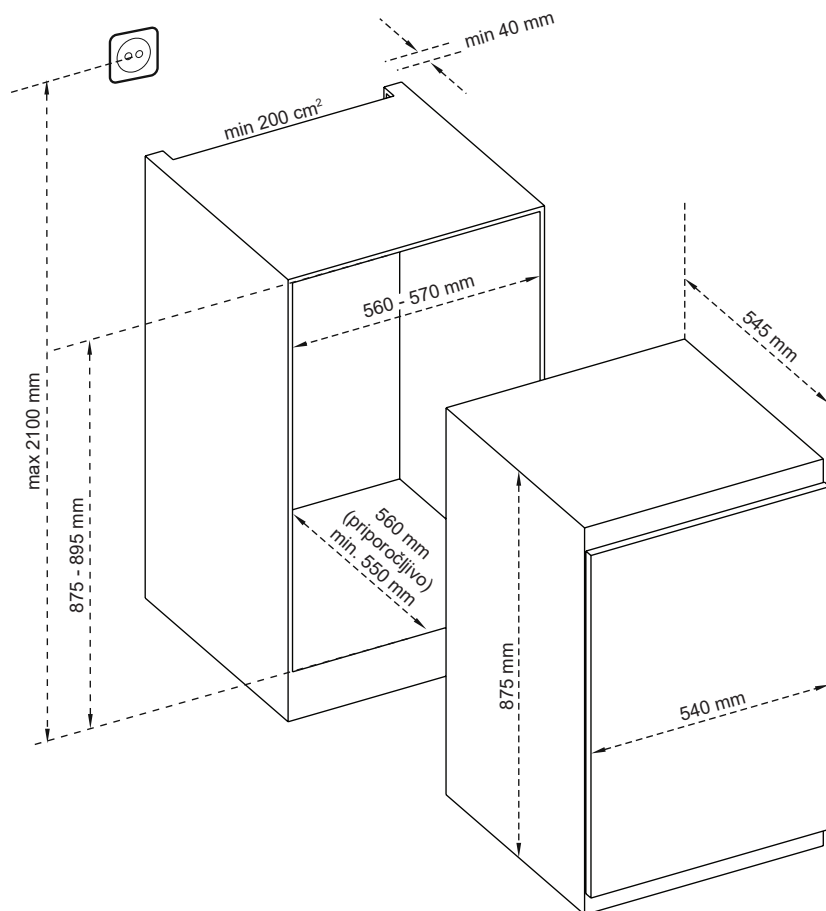
Splošne opombe

Predal za svežo hrano (hladilnik): Najučinkovitejša uporaba energije je zagotovljena pri konfiguraciji s predali v spodnjem delu naprave in enakomerno razporejenimi policami. Položaj vratnih posod ne vpliva na porabo energije.

Predal zamrzovalnega prostora (zamrzovalnik): Najučinkovitejša uporaba energije je zagotovljena pri konfiguraciji s predali in posodami v izvornem položaju.

Dimenzije

* 875 - 883 za kovinski zgornji pokrov



8. DEL TEHNIČNI PODATKI

Tehnični podatki se nahajajo na tipski ploščici na notranji strani naprave in na energijski nalepki. QR koda na energijski nalepki, ki je priložena napravi, vsebuje spletno povezavo do informacij, povezanih z delovanjem naprave v podatkovni bazi EU EPREL.

Hranite energijsko nalepko za referenco skupaj z uporabniškim priročnikom in vsemi drugimi dokumenti, ki so priloženi tej napravi.

Enake podatke je mogoče najti tudi v EPREL s povezavo na spletno stran <https://eprel.ec.europa.eu> ter ime modela in številko izdelka, ki ga najdete na tipski ploščici naprave.

Za podrobne informacije o energijski nalepki glejte povezavo www.theenergylabel.eu.

9. DEL INFORMACIJE ZA PRESKUSNE INSTITUTE

Nameštitev in priprava naprave za vsako EcoDesign preverjanje mora biti v skladu z EN 62552. Zahteve za prezračevanje, mere vdolbine in najmanjši odmiki zadaj morajo biti, kot so navedene v tem Uporabniškem priročniku v NODALA 1. Za vse dodatne informacije, vključno z načrti za nakladanje, se obrnite na proizvajalca.

10. DEL SKRB ZA STRANKE IN STORITVE

Želite dobiti nasvete za uporabo, brošure, odpravljanje težav, informacije o storitvah in popravilu:

www.vestel.com

DEL 1. FØR ENHEDEN TAGES I BRUG

Generelle advarsler

⚠ ADVARSEL: Sørg for at der er tilstrækkeligt plads omkring apparatet til at sikre fri luftcirkulation.

⚠ ADVARSEL: Brug ikke spidse eller skarpe genstande til at fremskynde afrimningsprocessen.

⚠ ADVARSEL: Brug ikke andre elektriske apparater inden i køle-/fryseskabet

⚠ ADVARSEL: Undgå at beskadige kølekredsløbet.

⚠ ADVARSEL: Monter apparatet i henhold til producentens anvisninger for at undgå skade på apparatet eller personskade.

⚠ ADVARSEL: Ved placering af apparatet skal det sikres, at netledningen ikke klemmes eller beskadiges.

⚠ ADVARSEL: Placer ikke flere transportable stikdåser eller transportable strømforsyninger bag på apparatet.

⚠ Hvis dit apparat anvender R600a som kølemiddel - du kan finde oplysninger om dette på etiketten på køleren - skal du være forsigtig under transport og montage for at forhindre, at apparatets køleelementer bliver beskadiget. Selvom R600a er et miljøvenlig og naturligt gas, så er den eksplosiv, og i tilfælde af en lækage som følge af en skade på køleelementerne, skal du flytte køleskabet fra åben ild eller varmekilder og ventilere rummet, hvor apparatet er placeret, i et par minutter.

- Undgå beskadigelse af kølekredsløbet ved transport og montering af køleskabet.
- Undlad at opbevare sprængstoffer, såsom spraydåser med brændbare drivgasser, i dette apparat.
- Apparatet er beregnet til husholdningsbrug og lignende anvendelsesområder, såsom;
 - personalekøkkener i butikker, kontorer og andre arbejdsmiljøer

- gårde og af gæster på hoteller, moteller og andre boligmiljøer
- bed and breakfast-lignende miljøer
- catering og lignende anvendelsesområder uden for detailhandlen
- Hvis stikkontakten ikke passer til køleskabets stik, skal det udskiftes af producenten, en servicetekniker eller lignende kvalificerede personer for at undgå fare.
- Apparatet må ikke anvendes af personer (inklusive børn), som er fysisk, mentalt eller synsmæssigt hæmmede eller som mangler erfaring og viden, medmindre de er blevet instrueret i brug af maskinen af en person, som har ansvaret for deres sikkerhed. Børn skal overvåges for at sikre, at de ikke leger med apparatet.
- Dit køleskab er udstyret med et specielt jordstik. Dette stik skal bruges med et specielt jordet stikdåse på 16 ampere. Hvis der ikke er et sådant stik i dit hus, skal du have det installeret af en autoriseret elektriker.
- Dette apparat kan betjenes af børn på 8 år og ældre og personer som er fysisk, mentalt eller synsmæssigt hæmmede eller uden erfaring eller viden på området, såfremt de holdes under opsyn og er blevet instruerede i sikker håndtering af apparatet samt forstår farerne forbundet hermed. Børn må ikke lege med apparatet. Børn må ikke udføre rengøring og vedligeholdelse uden opsyn.
- Børn fra 3 til 8 år må lægge varer i og tage varer ud af køleapparater. Børn forventes ikke at udføre rengøring eller vedligeholdelse af apparatet. Meget små børn (0-3 år) forventes ikke at bruge apparater. Mindre børn (3-8 år) forventes ikke at kunne bruge apparater på sikker vis, medmindre det sker under supervision. Større børn (8-14 år) og sårbare personer kan bruge apparater sikkert, når de superviseres og har fået den nødvendige vejledning i

brugen af apparatet. Meget sårbare personer forventes ikke at bruge apparater på sikker vis, medmindre det sker under supervision.

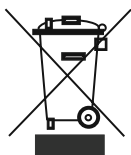
- Hvis ledningen er beskadet, skal den udskiftes af producenten, en servicetekniker eller lignende kvalificerede personer for at undgå fare.
- Dette apparat er ikke beregnet til brug i højder over 2000 m.

Følg disse instruktioner for at undgå fødevarerkontaminering:

- Hvis døren holdes åben i længere tid, kan det medføre, at temperaturen i apparatets rum øges væsentligt.
- Rengør hyppigt overflader, der kan komme i kontakt med fødevarer, og tilgængelige afløbssystemer.
- Opbevar rå kød og rå fisk i egnede beholdere i køleskabet, så disse fødevarer ikke kommer i kontakt med eller drypper på andre fødevarer.
- Fryserum med to stjerner er beregnet til opbevaring af på forhånd nedfrosne fødevarer, opbevaring eller fremstilling af dessertis og isterninger.
- Rum med én, to og tre stjerner er ikke egnede til nedfrysning af friske fødevarer.
- Hvis køleapparatet skal stå tomt i længere perioder, skal det slukkes, afrimes, rengøres og tørres, og døren lades åben for at undgå, der dannes skimmel i apparatet.

Sikkerhedsinstruktioner

- Anvend ikke mekanisk værktøj eller andre kunstige midler til at fremskynde afrimningsprocessen.
- Anvend ikke elektriske redskaber inde i køleskabsrummet.
- Hvis dette køleskab skal erstatte et gammelt køleskab med lås; ødelæg eller fjern låsen som en sikkerhedsforanstaltning før det deponeres for at beskytte legende børn mod at låse sig inde.
- Gamle køleskabe og frydere indeholder isoleringsluftarter og kølemidler, som skal kasseres på passende måde. Overlad definitivt fjernelsen af skrotmateriale til Deres kompetente lokale affaldsdeponeringsservice og kontakt Deres lokale myndighed eller Deres forhandler hvis De har nogle spørgsmål. Sørg venligst for at funktionsrørene på Deres køleskabsenhed ikke bliver skadet før den bliver afhentet af relevant affaldsdeponeringsservice.



Dette apparat er klassificeret iht. det europæiske direktiv 2002/96/EF om affald af elektrisk- og elektronisk udstyr (waste electrical and electronic equipment - WEEE).

Dette direktiv angiver rammerne for indlevering og recycling af kasserede apparater gældende for hele EU.

Vigtig bemærkning:

Læs venligst denne brochure før enheden installeres og der tændes for den. Producenten påtager sig ikke noget ansvar for ukorrekt installation og brug som beskrevet i denne brochure.

Anbefalinger

- Anvend ikke snydepropper eller parallelforbindelser, dette kan forårsage overophedning eller brand.
- Brug ikke gamle slidte forlængerledninger.
- Brug ikke en stikadapter.



- Vrid og knæk ikke ledningerne.
- Tillad ikke børn at lege med køleskabet. Børn må ALDRIG sidde på skuffer eller hænge på døren.
- Anvend ikke skarpe metalinstrumenter til at fjerne is på fryserummet idet det kan punktere køleskabscirkulationen og forårsage skade som ikke kan repareres.
- Tilslut ikke strømforsyningen med våde hænder.
- Placer ikke beholdere (glas flasker eller dåser) med væsker i fryseren, specielt kulsyreholdige væsker, da det kan forårsage at beholderen brister ved frysning.



- Flasker som har en høj alkoholprocent skal lukkes ordentligt og placeres stående i fryseren.
- Berør ikke kølefladerne, specielt med våde hænder da De kan blive brændt eller skadet.
- Spis ikke is som lige er blevet fjernet fra fryseren.



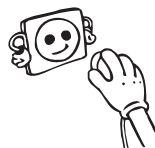
At installere og tænde for enheden

- Denne enhed tilsluttes til 220-240V eller 200-230V og 50 Hz. Kontroller venligst enhedens navneplade for at sikre at spændingen passer til Deres hovedkontakts spænding.
- De kan tilbydes hjælp fra servicefunktionen med at installere og tænde for enheden.
- Før tilslutning til strømforsyningen foretages, sørg for at spændingen på navnepladen svarer til spændingen på det elektriske system i Deres hjem.
- Sæt ledningen i et stik med en effektiv jordforbindelse. Hvis stikket ikke har jordforbindelse eller ledningen ikke passer, foreslår vi at De kontakter en autoriseret elektriker for at få assistance.
- Stikket skal være tilgængeligt efter at enheden er sat på plads.
- Producenten er ikke ansvarlig for forsømmelse af at fuldføre jordforbindelse som beskrevet i denne brochure.
- Anbring ikke enheden i direkte sollys.
- Anvendes ikke udendørs og må ikke udsættes for regn.
- Anbring enheden langt fra varmekilder og på et godt ventileret sted. Enheden skal være mindst 50 cm fra radiatorer, gas- eller kulovne og 5 cm væk fra elektriske ovne.
- Fri afstand over skabets overside mindst 15 cm.
- Placer ikke mange og tunge ting på enheden.
- Hvis skabet installeres ved siden af et andet køleskab eller fryser, bør der være en mindste afstand på 2 cm for at undgå kondens.
- Anbring ikke meget(!) varm mad eller skåle ovenpå skabet.
- Tilpas plastikafstandsstykket til væg til kondensatoren bag på enheden for at forhindre at enheden berører væggen, det sikrer god præstation.
- Enheden skal placeres stabilt og i gulvniveau. Brug udligningsfødder for at kompensere for ujævnheder.
- Ydersiden af enheden og tilbehøret inde i, skal gøres rent med sæbe og vandblanding og flydende sæbe; indersiden med sodiumbikarbonat, opløst i lunkent vand. Sæt tilbehøret ind igen eller aftørring.



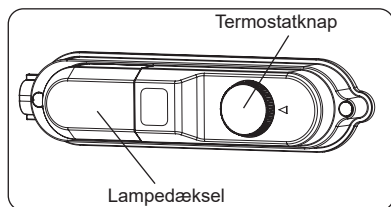
Før der tændes

- Vent 3 timer før enheden tilsluttes til strømforsyningen for at få en rigtig præstation.
- Der kan opstå en lugt første gang De tænder for enheden. Lugten forsvinder efter at skabet begynder at afkøle.



DEL 2. FUNKTIONER OG MULIGHEDER

Termostatindstilling



• Termostaten styrer automatisk temperaturen i kølerummet. Knappen kan drejes fra 1 mod 5, hvis temperaturen skal være lavere.

Vigtigt: Forsøg ikke at dreje knappen over 1 position, da det vil stoppe dit apparat

• Ved korttidsopbevaring af madvarer i kølerummet kan du indstille knappen til mellem 1 og 3.

• Ved langtidsopbevaring af madvarer i kølerummet kan du indstille knappen til mellem 3 og 4.

- **Bemærk**, at den omgivende temperatur, de ferske madvarers temperatur og den hyppighed, hvormed køleskabets låge åbnes, påvirker temperaturen i kølerummet. Hvis det er nødvendigt, kan du ændre temperaturindstillingen.

Advarsler ved temperaturindstilling

- Termostaten skal indstilles under hensyntagen til, hvor ofte hhv. køle- og fryseafdelingens dør åbnes og lukkes, hvor mange fødevarer der opbevares, samt hvor skabet er placeret.
- For at skabet kan blive helt nedkølet, når det tændes første gang, skal det køre uden pause i op til 24 timer afhængig af omgivelsestemperaturen.
- I denne periode må skabet ikke åbnes for ofte og heller ikke fyldes for meget.
- Hvis skabets stik har været taget ud af stikkontakten, skal der ventes mindst 5 minutter med at sætte stikket i igen, da kompressoren ellers kan blive beskadiget.
- Skabet er beregnet til drift i de intervaller for omgivelsestemperaturer, som er angivet i standarderne og i overensstemmelse med den klimaklasse, som er angivet på skabets typeskilt. Det anbefales ikke, at skabet kører uden for de angivne temperaturgrænser udtrykt i køleeffektivitet.
- Dette apparat er designet til brug ved en omgivende temperatur i et område mellem 16 °C og 32 °C.

Klimaklasse og betydning:

T (tropisk): Dette køleskab er beregnet til brug i omgivende temperaturer på 16 °C til 43 °C.

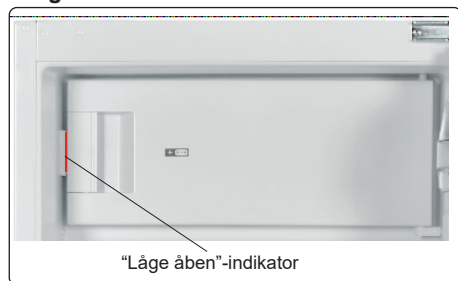
ST (subtropisk): Dette køleskab er beregnet til brug i omgivende temperaturer på 16 °C til 38 °C.

N (tempereret): Dette køleskab er beregnet til brug i omgivende temperaturer på 16 °C til 32 °C.

SN (udvidet tempereret): Dette køleskab er beregnet til brug i omgivende temperaturer på 10 °C til 32 °C.

Tilbehør

“Låge åben”-indikator



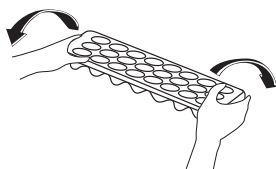
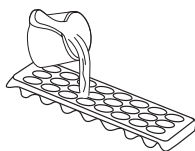
“Låge åben”-indikatoren på håndtaget viser, om lågen er lukket korrekt, eller om den stadig står åben.

Hvis indikatoren er rød, står lågen stadig åben. Hvis indikatoren er hvid, er lågen lukket korrekt.

Bemærk, at frostboksens låge altid skal være lukket. Dette forhindrer, at frostvarerne tør op, og at der dannes islag i frostboksen. Desuden reduceres energiforbruget.

Isterningbakke

- Fyld isbakken med vand og placer den i fryserummet.
- Når vandet er blevet til is, kan De vride bakken som vist herunder, for at få fat i isterningerne.



Køleafdelingen

- Denne er beregnet til korttidsopbevaring af mad- og drikkevarer. Flasker kan opbevares i den dertil indrettede dørhylde. Ferske madvarer, der er godt emballerede, kan opbevares på skabets hylder. Frisk frugt/grøntsager bør opbevares i grøntsagsskuffen. Mejeriprodukter og æg kan anbringes i de dertil indrettede rum i døren. Tilberedte madvarer bør opbevares i lufttætte beholdere med låg. Fersk kød pakkes i plasticposer og anbringes på den nederste hylde. Lad ikke fersk, uindpakket kød komme i kontakt med tilberedte madvarer. Fersk, hakket kød bør tilberedes samme dag, som det er købt. Andre ferske kødvarer bør højst ligge i køleskabet i 2-3 dage.
- Lad varme mad- og drikkevarer køle af, inden de anbringes i skabet. Opbevar aldrig eksplosive og brandbare væsker i køleskabet (f.eks. acetone, benzin o.lign.). Alcohol med en høj procent bør opbevares stående i forseglede flasker.
- Under normale driftsbetingelser er det tilstrækkeligt at indstille køleskabets temperatur til +4 °C.
- Køleskabets temperatur bør være mellem 0-8 °C, friske madvarer, der opbevares ved under 0 °C, kan fryse og rådne, mængden af bakterier stiger ved temperaturer over 8 °C, og det kan ødelægge madvarerne.
- Undlad at anbringe varm mad i køleskabet med det samme. Vent, til maden har stuetemperatur. Varme madvarer får temperaturen i køleskabet til at stige, hvilket kan forårsage madforgiftning samt, at madvarerne ødelægges.
- Kød, fisk osv. skal opbevares i kølerummet, og grøntsagsrummet er primært til grøntsager (hvis det medfølger).
- Kødprodukter og frugt og grøntsager bør ikke opbevares sammen, da det kan medføre krydskontaminering.
- Madvarer bør opbevares i lukkede beholdere eller tildækket i køleskabet for at forhindre fugtdannelse og lugt.

Mad	Maksimal Opbevaringstid	Hvor skal det placeres i køleskabet
Frugter og grøntsager	1 uge	Grøntsagsbeholder
Kød og fisk	2 - 3 dage	Pakket ind i plastikfolie, poser eller i en kødbeholder (på glashylden)
Frisk ost	3 - 4 dage	På den særlige hylde i lågen
Smør og margarine	1 uge	På den særlige hylde i lågen
Produkter på flaske mælk og yoghurt	Indtil udløbsdato anbefalet af producenten	På den særlige hylde i lågen
Æg	1 måned	I æggehylden
Tilberedt mad	2 dage	Alle hylder

Fryseafdelingen

- Denne er 4-stjernet og beregnet til langtidsopbevaring af frosne madvarer og fremstilling af isterninger.
- Læg frostvarer i fryseren så hurtigt som muligt efter køb, og opbevar gerne varerne i en køletaske under transporten fra indkøbsstedet.


- Vær sikker på, at indholdet er mærket med art og dato.
- Overskrid ikke datoen for sidste salgsdag eller "Bedst inden". Hvis der ikke er nogen tidsangivelse på emballagen, bør produktet højst ligge i fryseren i 3 måneder.
- Læg ikke ferske madvarer opad allerede indfrosne varer, da disse derved kan tø op.
- Indfrys ikke for store mængder ad gangen. Maden bliver bedst, hvis den fryses helt igennem i løbet af så kort tid som muligt.
- Ved en eventuel strømafbrydelse bør man undgå at åbne fryserdøren. Efter en længerevarende strømafbrydelse bør man undersøge madens kvalitet, og enten spise den straks eller tilberede den og indfryse den igen. Hvis man lægger varme madvarer ind i fryseren, vil kompressoren køre hele tiden, indtil madvarerne er indfrosne. Herved kan køleskabet midlertidigt blive meget koldt.
- Den normale opbevaringstemperatur i fryseren bør være -18°C. Dette kan kontrolleres med et frysetermometer, så man sikrer sig, at skabet har den korrekte temperatur. Aflæsning af termometeret skal ske meget hurtigt, idet temperaturen stiger med det samme, når man tager termometeret ud af skabet.
- Mousseerende drikke bør ikke fryses, og is bør ikke spises direkte fra fryseren (risiko for forfrysning).

Vigtig bemærkning:

- *Frosne fødevarer, der er blevet optøet, bør tilberedes ligesom friske fødevarer. Hvis de ikke er tilberedt efter at være blevet optøet, må de aldrig fryses igen.*
- Smagen af visse krydderier i færdigretter (anis, basilikum, brøndkarse, eddike, assorterede krydderier, ingefær, hvidløg, løg, sennep, timian, merian, peber osv.) ændrer sig, og de antager en stærk smag, når de har været nedfrosne i lang tid. Derfor bør der kun tilsættes en lille mængde krydderier, hvis du planlægger at fryse maden ned. Ellers kan de ønskede krydderier tilsættes, efter at maden er optøet.
- Opbevaringstiden for maden er afhængig af den anvendte olie. Egnede olier er margarine, kalvefedt, olivenolie og smør, og uegnede olier er jordnøddolie og svinespæk.

Kød og fisk	Forberedelse	Maksimal Opbevaringstid (måned)
Steak	Indpakning i folie	6 - 8
Lammekød	Indpakning i folie	6 - 8
Kalvesteg	Indpakning i folie	6 - 8
Kalvetern	Små stykker	6 - 8
Lammetern	1 stykker	4 - 8
Hakket kød	I indpakninger uden brug af krydderier	1 - 3
Fjerkræsindvolde (stykker)	I stykker	1 - 3
Pølse/salami	Bør pakkes ind selv hvis der er en membran omkring den	
Kylling og kalkun	Indpakning i folie	4 - 6
Gås og and	Indpakning i folie	4 - 6
Hjortevildt, kanin, vildsvin	I 2,5 kgs portioner og som filetter	6 - 8
Ferskvandsfisk (laks, karp, ørred, Siluroidea)	Efter indvolde og skæl er blevet fjernet,	2
Mager fisk; aborre, pighvar, flynder	vask og tør fisken; skær eventuelt hoved og hale af.	4.
Fede fisk (tun, makreller, blåbars, ansjoser)		2 - 4
Skaldyr	Renset og i poser	4 - 6

Kød og fisk	Forberedelse	Maksimal Opbevaringstid (måned)
Kaviar	I det indpakning, aluminium eller i en plastikbeholder	2 - 3
Snegl	I saltvand, aluminium eller i en plastikbeholder	3

 **Bemærk:** Efter optøning bør frossent kød tilberedes ligesom fersk kød . Hvis kødet ikke tilberedes efter optøning, må det ALDRIG nedfryses igen.

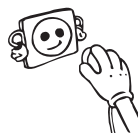
Frugter og grøntsager	Forberedelse	Maksimal Opbevaringstid (måned)
Haricots verts og bønner	Vask og skær i mindre stykker og blancher i kogende vand	10 – 13
Bønner	Fjern bælggen, vask og blancher i kogende vand	12
Kål	Vask og blancher i kogende vand	6 - 8
Gulerod	Vask og skær i skiver og blancher i kogende vand	12
Peber	Fjern stilken, skær i to stykker, fjern kernerne og blancher i kogende vand	8 - 10
Spinat	Vask og blancher i kogende vand	6 - 9
Blomkål	Bryd i mindre stykker, fjern stilken og lad det ligge i vand med en smule citronsaft i et stykke tid	10 – 12
Aubergine	Skær i 2 cm-stykker efter vask	10 – 12
Majs	Vask og opbevar på kolben eller skær majskerne fra	12
Æble og pære	Skræl og skær i mindre stykker	8 - 10
Abrikos og fersken	Skær i to stykker og fjern stenen	4 - 6
Jordbær og brombær	Vask og pil	8 - 12
Tilberedte frugter	Tilsæt 10% af sukkeret i beholderen	12
Blomme, kirsebær, surbær	Vask og pil	8 - 12

Mejeriprodukter	Forberedelse	Maksimal Opbevaringstid (måned)	Opbevaringsforhold
Pakke (homogeniseret) mælk	I egen emballage	2 - 3	Ren mælk - i egen emballage
Oste - undtagen hvid ost	I skiver	6 - 8	Original emballage kan bruges til kortvarig opbevaring Bør pakkes i folie til længerevarende opbevaring
Smør, margarine	I egen emballage	6	

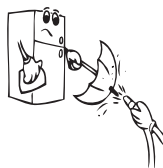
	Maksimal Opbevaringstid (måneder)	Optøningstid ved stuetemperatur (timer)	Optøningstid i ovn (minutter)
Brød	4 - 6	2 - 3	4-5 (220-225 °C)
Kiks	3 - 6	1 - 1,5	5-8 (190-200 °C)
Kager	1 - 3	2 - 3	5-10 (200-225 °C)
Pie	1 - 1,5	3 - 4	5-8 (190-200 °C)
Filodej	2 - 3	1 - 1,5	5-8 (190-200 °C)
Pizza	2 - 3	2 - 4	15-20 (200 °C)

DEL 4. RENGØRING OG VEDLIGEHOLDELSE

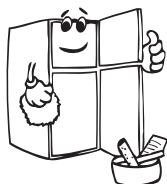
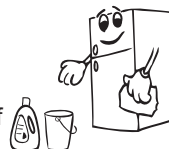
- Frakoble enheden fra strømforsyningen før rengøring.



- Rengør ikke enheden med rindende vand.



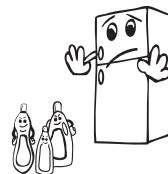
- Køleskabsrummet skal rengøres periodevis med en opløsning af sodabikarbonat og lunkent vand.



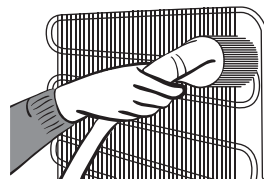
- Rengør tilbehøret for sig selv med sæbe og vand. Rengør dem ikke i opvaskemaskinen.



- Anvend ikke slibeprodukter, opvaskemidler eller sæbe. Efter afvaskning, skyl med rent vand og tør omhyggeligt. Når rengøringsproceduren er afsluttet tilsluttes enhedens ledning med tørre hænder.

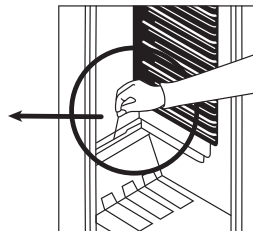
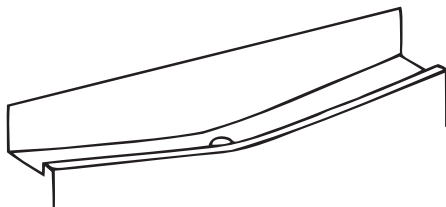


- De skal rengøre kondensatoren med en kost mindst to gange om året for at opnå energibesparelse og øge produktiviteten.



Afrimning af køleskabet

Køleskabet har fuldautomatisk afrimning. Tøvet vand løber ned i en afløbsrende bagest i skabet. Herfra ledes det gennem en kanal i bagvæggen ud i en skål ovenover kompressoren, hvor det fordamper. Undersøg regelmæssigt, om afløbsrenden og afløbshullet er stoppet til, så vandet løber ud i bunden af skabet i stedet for ned i kanalen. I sådanne tilfælde bruger man den medleverede rensespind eller en spids nål el. lign. til at skaffe passage gennem hullet.



Afrimning af fryseren

- Den is der dannes i fryseren, bør fjernes mindst 2 gange årligt, eller når der har dannet sig et ca. 5mm tykt lag is, idet for meget is nedsætter skabets effektivitet. Brug den medleverede plasticskraber. Brug aldrig skarpe eller spidse genstande til at fjerne isen.
- Dagen før fryseren skal afrimes bør man tænde for lynindfrysning for at være sikker på, at alle frostvarerne er helt indfrosne. Start selve afrimningen med at slukke for strømmen til skabet og trække stikket ud af stikkontakten. Tag frysevarerne ud, pak dem ind i et tykt lag papir, og opbevar dem et koldt sted.
- Man kan, for at fremskynde afrimningen, anbringe skåle med varmt vand i fryseren.
- Når isen er tøet op, tørrer man tøvet vand op, og tørrer fryseren grundigt af indvendigt, tænder igen for strømmen og sætter termostatknappen på en indstilling mellem 2 og 4.

Udskiftning af pære

1. Tag stikket ud af stikkontakten.
2. Tryk på krogene på siderne af pærens dæksel, og tag dækslet af.
3. Udskift pæren med en anden pære på højst 15 W.
4. Sæt dækslet på plads igen, og vent fem minutter, inden du tilslutter køleskabet/svaleskabet.

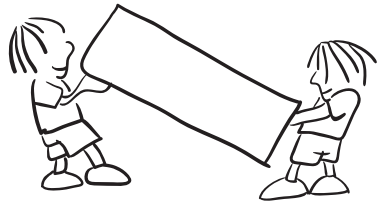
Udskiftning af LED lys

Hvis dit køleskab har LED lys, bedes du kontakte en serviceagent, da dette kun må udskiftes af en autoriseret servicetekniker.

DEL 5. TRANSPORT OG ÆNDRING AF INSTALLATIONS POSITION

Transport og ændring af installationsposition

- Originalemballagen og skumpolystyren (PS) kan gemmes hvis det behøves.
- Ved transport skal tilbehør bindes fast med et bredt bånd eller et kraftigt reb. Reglerne som står på bølgepakassen skal anvendes under transport.
- Før transport eller ændring af installationsposition, skal alle bevægelige dele (dvs. hylder, grønsagsskuffe...) tages ud eller sættes fast med bånd for at forhindre rystelse.



Omplacering af døren

- Det er ikke muligt at ændre åbningsretning af køleskabets dør, hvis dørens håndtag er installeret fra forsiden af døren.
- Det er muligt at ændre åbningsretning af fryserens dør i modeller uden håndtag.
- I tilfælde af at De behøver ændre dørens åbningsretning, kontakt eventuelt salgsservice.

DEL 6. FØR SERVICEPERSONALE TILKALDES

Hvis Deres køleskab ikke fungerer ordentligt, tjek følgende før De kontakter en elektriker, for at spare tid og penge.

Hvad kan De gøre hvis Deres køleskab ikke fungerer ;

Tjek at ;

- Om der er strøm,
- Hovedkontakten i Deres hjem ikke er afbrudt ,
- Termostatindstillingen står i «•» position,
- Stikket virker. For at tjekke dette, tilslut en anden enhed, som De ved fungerer, til samme stik.

Hvad kan De gøre hvis Deres køleskab fungerer dårligt ;

Tjek at ;

- De ikke har overbelastet enheden ,
- Dørene er lukket fuldstændig,
- Der ikke er støv på kondensatoren,
- Der er plads nok på bagsiden og sidevæggene.

Hvis der er støj ;

Luftarten som cirkulerer i køleskabets kredsløb kan lave en svag støj (boblende lyd) også når kompressoren ikke er i gang. De skal ikke bekymre Dem om dette, det er helt normalt. Hvis disse lyde er anderledes tjek at ;

- Enheden er i ret niveau ,
- Ingenting rører ved bagsiden,
- Materialet i enheden vibrerer.

Hvis der er vand i den nederste del af køleskabet;

Tjek at ;

Dræningshullet til vand fra afrimning ikke er tilstoppet (brug renseproppen til at rense dræningshullet).

Skabet køler ikke tilfredsstillende:

Skabet er beregnet til drift i de intervaller for omgivelsestemperaturer, som er angivet i standarderne og i overensstemmelse med den klimaklasse, som er angivet på skabets typeskilt. Det anbefales ikke, at skabet kører uden for de angivne temperaturgrænser udtrykt i køleeffektivitet.

Anbefalinger

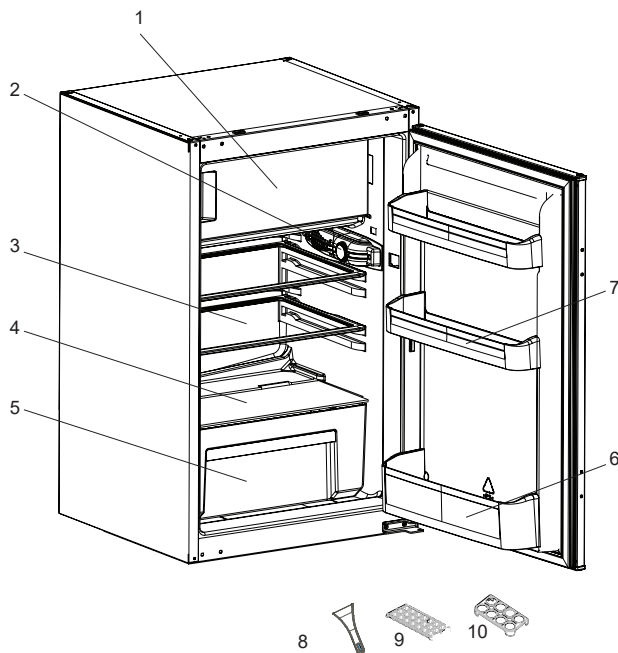
- For at øge og forbedre udseendet er køleskabets « kølesektion » placeret indenfor bagvæggen af køleskabsrummet. Når enheden er i gang, dækkes denne væg af rim eller vanddråber, afhængig af om kompressoren er i gang eller ej. Det er ikke noget problem. Dette er helt normalt. Enheden skal kun afrimes hvis der dannes et usædvanlig tykt lag på væggen.
- Hvis enheden ikke skal bruges i længere tid (for eksempel i sommerferien) indstil termostatknappen i «•» position. Afrim og rengør køleskabet og lad døren stå åben for at undgå dannelse af fugt og lugt.

Energisparetips

- 1- Installer apparatet i et koldt, velventileret rum, men ikke i direkte sollys og ikke i nærheden varmekilder (radiator, komfur .. osv.). Ellers brug en isoleringsplade.
- 2- Lad varme mad- og drikkevarer køle ned uden for apparatet.
- 3- Frossen mad, som skal optøs, skal anbringes i køleskabet. Den frosne mad vil medvirke til at holde køleskabet koldt, når de optøer. Dette giver energibesparelser. Hvis den frosne mad tages ud, skaber det energispild.
- 4- Drikkevarer skal være tildækket. Ellers øges fugtigheden i apparatet. Dette forlænger driftstiden. Når man tildækker drikkevarerne hjælper det også med at bevare smagen og lugten.
- 5- Når der indsættes mad og drikkevarer skal apparatet være åbent i så kort tid som muligt.
- 6- Hold lågene på de forskellige temperaturbokse i apparatet lukkede (boks til friske varer, køleboks...osv.).
- 7 - Dørpakningen skal være ren og smidig. Udskift pakningen, hvis den er slidt.

DEL 7. ENHEDENS DELE OG OG RUM

Dette apparat er ikke beregnet til at blive brugt som et indbygget element.



Denne præsentation er kun beregnet til information om delene på apparatet.
Delene kan variere afhængigt af modeltype.

- | | |
|-------------------------------|-----------------------|
| 1) Fryserafdeling | 7) Dørhylder |
| 2) Termostatknop | 8) Plastic ice blade* |
| 3) Køleskabshylde | 9) Isbakke |
| 4) Hylde over grøntsagsskuffe | 10) Æggeholder |
| 5) Grøntsagsskuffe | |
| 6) Flaskehylde | |

** Ikke i alle modeller*

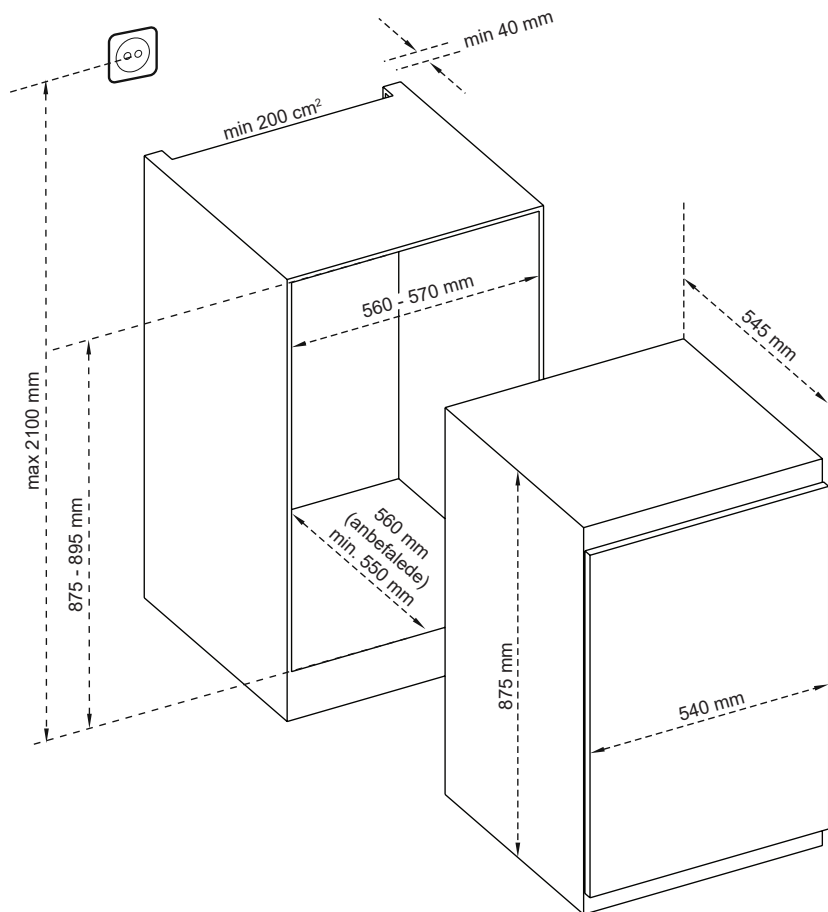
Generelle bemærkninger

Rum til ferske fødevarer (køleskab): Den mest effektive energianvendelse sikres, når skufferne er indsat i bunden af køleskabet, og hylderne er jævnt fordelt. Placeringen af beholderne i døren påvirker ikke energiforbruget.

Fryserum (fryser): Den mest effektive energianvendelse sikres, når skufferne og beholderne er i opbevaringsplacering.

Mål

* 875 - 883 til topdæksel af metal



DEL 8. TEKNISKE DATA

Disse tekniske oplysninger kan findes på ydelsesskiltet, som sidder på indersiden af apparatet, og på energimærket.

QR-koden på energimærket, der blev leveret sammen med apparatet, angiver et link til et websted med oplysninger om apparatets ydeevne i EU EPREL-databasen.

Gem energimærket til senere brug sammen med brugervejledningen og alle andre dokumenter, der blev leveret sammen med dette apparat.

Det er også muligt at finde de samme oplysninger i EPREL ved hjælp af linket <https://eprel.ec.europa.eu> samt modelnavnet og produktnummeret, som du kan finde på apparatets ydelsesskilt.

Du kan få detaljerede oplysninger om energimærket via linket www.theenergylabel.eu.

DEL 9. OPLYSNINGER TIL TESTINSTITUTIONER

Installation og klargøring af apparatet til enhver bekræftelse af miljøvenligt design skal overholde EN 62552. Krav til ventilation, mål til indhak og minimumsplads til bagsiden skal være som angivet i DEL 7 af denne Brugervejledning. Kontakt producenten for alle andre oplysninger, herunder planer til belastning.


DEL 10. KUNDEPLEJE OG -SERVICE


Besøg vores websted for at:


Få råd om brug og brochurer samt oplysninger om fejlfinding, service og reparationer:

www.vestel.com


Yleisiä varoituksia


 **VAROITUS:** Pidä ilmanvaihtoaukot laitteen ympärillä, tai sen rungossa esteettöminä.


 **VAROITUS:** Älä käytä mekaanisia laitteita tai muita kuin valmistajan suosittelemia keinoja nopeuttaaksesi sulatusta.


 **VAROITUS:** Älä käytä sähkölaitteita elintarvikkeiden säilytyslokerossa, jos valmistaja ei erikseen suosittele tätä.

 **VAROITUS:** Älä vahingoita laitteen kylmäainekiertoa.

 **VAROITUS:** Vältäaksesi laitteen epävakaudesta johtuvan vaaran, se tulee kiinnittää ohjeiden mukaisesti.

 **VAROITUS:** Varmista laitteen sijoituksen aikana, että virtajohto ei jää kiinni ja että se ei ole vaurioitunut.

 **VAROITUS:** Älä sijoita jatkopistorasioita tai siirrettäviä virtalähteitä laitteen taakse.

 Jos laite käyttää R600a kylmäaineena – tämän voi nähdä jäähdyttimen tyyppikilvestä- ole varovainen kuljetuksen ja asentamisen aikana jotta laitteesi jäähdytyslementit eivät vaurioituisi. R600a on ympäristöystävällinen maakaasu. Se on kuitenkin räjähdysaltista. Vuodon sattuessa jäähdytyslementtien vaurioitumisen seurauksena, siirrä jääkaappi kauas avotulen läheisyydestä tai muista lämmönlähteistä ja tuuleta tilaa jossa laite sijaitsee muutaman minuutin ajan.

- Älä vahingoita laitteen kylmäkiertoa kuljetuksen ja uudelleen-sijoittamisen aikana.
- Älä aseta räjähtäviä aineita kuten aerosolitölkkejä jotka sisältävät herkästi syttyviä aineita laitteen sisään.
- Tämä laite on tarkoitettu kotitalouskäyttöä ja muita samankaltaisia sovelluksia varten kuten;
 - keittiöhenkilöstön tiloihin kaupoissa, toimistoissa ja muissa työympäristöissä

- maatilamajoitusta ja hotelleja, motelleja tai muita asuinympäristöjä varten
 - aamiaismajoitustyyppisiä ympäristöjä varten;
 - Ateriapalveluja ja muita samankaltaisia ei-kaupallisia sovelluksia varten
- Jos laitteen verkkojohto ei sovi käytettyyn pistorasiaan, se tulee korvata valmistajan, huoltoliikkeen tai muun valtuutetun henkilön toimesta vaaran välttämiseksi.

Jääkaapin verkkojohto sisältää maadoitetun pistokkeen. Verkkojohto tulee liittää maadoitettuun pistorasiaan joka on suojattu 16 ampeerin sulakkeella. Jos asunnossasi ei ole tämänkaltaista pistorasiaa, pyydä valtuutettua sähkömiestä asentamaan se.

- Tätä laitetta voivat käyttää 8-vuotiaat ja sitä vanhemmat lapset sekä henkilöt joiden fyysinen, aistinvarainen tai henkinen toimintakyky on rajoittunut tai joilla ei ole aikaisempaa kokemusta tai tietoa laitteen käytöstä, jos heitä valvotaan tai opastetaan laitteen käytössä turvallisella tavalla ja he ymmärtävät laitteen käyttöön liittyvät vaarat. Lasten ei tule antaa leikkia laitteen kanssa. Lasten ei tule antaa puhdistaa ja huoltaa laitetta ilman valvontaa.
- 3-8 vuotiaat saavat täyttää ja tyhjentää jäähdytyslaitteita. Lasten ei tulisi puhdistaa tai huoltaa laitetta. Erittäin nuorten lasten (0-3 vuotta) ei tulisi käyttää laitteita. Nuorten lasten (3-8 vuotta) ei tulisi käyttää laitetta, ellei heitä valvota jatkuvasti turvallisuuden varmistamiseksi. Vanhemmat lapset (8-14 vuotta) ja fyysisesti tai psyykkisesti heikkokuntoiset tai estyneet ihmiset voivat käyttää laitteita, jos heitä joko valvotaan, tai heitä on neuvottu, kuinka laitetta käytetään turvallisesti. Fyysisesti tai psyykkisesti heikkokuntoisten henkilöiden ei tulisi käyttää laitteita, ellei heitä valvota jatkuvasti.

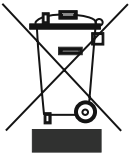
- Jos laitteen verkkojohto vaurioituu, se tulee korvata valmistajan, huoltoliikkeen tai muun valtuutetun henkilön toimesta vaaran välttämiseksi.
- Tätä laitetta ei ole suunniteltu käytettäväksi yli 2000 m korkeudessa.

Seuraathan seuraavia ohjeita välttääksesi ruuan saastumisen ja pilaantumisen:

- Oven auki pitäminen pitkän aikaa voi aiheuttaa huomattavan lämpötilan nousun laitteen säilytyslokerossa.
- Puhdista säännöllisesti pinnat, jotka ovat kosketuksissa ruuan kanssa.
- Säilytä raaka liha ja kala sopivissa säilytysastioissa jääkaapissa siten, että ne eivät koske ja niistä ei valu mitään muihin ruokiin.
- Kahden tähden pakastetun ruuan säilytyslokerot sopivat esipakastetun ruuan säilyttämiseen sekä jäätelön ja jääpalojen tekemiseen.
- Yhden kahden ja kolmen tähden säilytyslokerot eivät sovi tuoreen ruuan pakastamiseen.
- Jos jäähdytyslaitetta (jääkaappilaite) pidetään tyhjänä pitkän aikaa, laita se pois päältä, sulata, puhdista ja kuivaa se ja jätä ovi auki estääksesi homeen muodostumiseen jääkaapissa.

Turvallisuusohjeita

- **Varoitus:** Huolehdi siitä, ettei laitteen jäähdytysaukot laitteen rungossa tai rakennelmassa tukkiudu.
- Älä käytä mekaanisia laitteita eikä muitakaan keinotekoisia keinoja kiihdyttääksesi sulamisprosessia.
- Älä käytä sähkölaitteita jääkaappiosassa eikä pakastinosassa.
- Jos tämä laite on hankittu vanhan jääkaapin tilalle, jossa on lukko, riko tai irrota vanhan jääkaapin lukko turvatoimenpiteenä ennen laitteen varastointia, jotta lapset eivät voi lukita itseään kaappiin.
- Vanhat jääkaapit ja pakastimet sisältävät eristyskaasuja ja jäähdytysnesteitä, jotka täytyy hävittää asianmukaisesti. Ongelmajätteet täytyy toimittaa asianmukaiseen keräyspisteeseen. Mikäli sinulla on jotakin kysyttävää, ota yhteys paikalliseen viranomaiseen tai kauppiaseesi. Huolehdi siitä, ettei jääkaappisi putket vaurioidu ennen laitteen toimitamista asianmukaiseen purkauspisteeseen.



Tämän laitteen merkintä perustuu käytettyjä sähkö- ja elektroniikkalaitteita (waste electrical and electronic equipment - WEEE) koskevaan direktiiviin 2002/96/EG.

Tämä direktiivi määrittää käytettyjen laitteiden palautus- ja kierrätys-säännökset koko EU:n alueella.

Tärkeää:

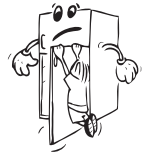
Lue tämä käyttöohje ennen tämän laitteen asennusta ja kytkemistä pistorasiaan. Valmistajalla ei ole vastuuta seurauksista, jotka johtuvat käyttöohjeesta poikkeavalla tavalla suoritetusta asennuksesta tai käytöstä.

Varotoimenpiteitä

- Älä käytä laitteita tai kytkentöjä, jotka voivat aiheuttaa ylikuumentumista ja palamisen.
- Älä käytä vanhoja, kiertyneitä virtakaapeleita.
- Älä kierrä äläkä taivuta kaapeleita.



- Älä anna lasten leikkiä laitteella. Lapset eivät saa koskaan istua laatikkojen/hyllyjen päällä eikä riippua ovesa.
- Älä käytä teräviä metalliesineitä poistaaksesi jäätä pakastinosasta; ne voivat lävistää jääkaappipiirin ja aiheuttaa korjaamattoman vaurion laitteelle. Käytä mukana olevaa muovista kaavinta.
- Älä kytke verkkojohtoa, jos kätesi ovat kosteat.
- Älä laita nesteitä sisältäviä astioita (lasipullot tai tölkkejä) pakastimeen (eikä missään tapauksessa kaasumaisia nesteitä), koska ne voivat rikkoutua pakastuksen aikana.



- Pullot, jotka sisältävät alkoholia, täytyy sulkea hyvin ja ne on laitetta jääkaappiin pystyasentoon.
- Älä koske jäähdytyspintoihin varsinkaan kosteilla käsillä, koska seurauksena voi olla palo- tai muu vamma.
- Älä syö pakastimesta poistettua jäätä.
- Jos verkkojohto on vaurioitunut, sen saa vaihtaa valmistaja tai valtuutettu huoltoliike tai henkilö.
- Älä käytä pistokesovitinta.



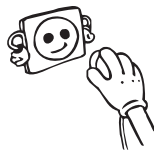
Laitteen asennus ja kytkeminen

- Ennen kuin kytket laitteen verkkovirtaan (pistorasiaan), varmistaudu siitä, että laitteen arvokilven jännite vastaa kotitaloutesi jännitettä.
- Tämän laitteen saa kytkeä vaihtojännitteeseen 220 – 240 V, 50 Hz.
- Kytke laitteen verkkojohdon pistotulppa maadoitettuun pistorasiaan. Mikäli käytössäsi ei ole maadoitettua pistorasiaa, ota yhteys asiantuntijaan.
- Pistokkeeseen täytyy päästä käsiksi helposti asennuksen jälkeen.
- Valmistaja ei ole vastuussa maadoituskytkennästä, joka ei ole tämän käyttöohjeen mukainen.
- Älä sijoita laitetta suoraan auringonpaisteeseen.
- Älä käytä ulkona ja äläkä saata alttiiksi sateelle.
- Sijoita jääkaappi kauas lämpölähteistä ja kunnolla ilmastoituun paikkaan. Jääkaappi täytyy sijoittaa vähintään 50 cm:n päähän lämpöpattereista, kaasu- ja kivihiiliuuneista ja 5 cm:n päähän sähköuuneista.
- Jätä yläpuolelle ainakin 15 cm tyhjää tilaa.
- Kiinnitä jääkaapin takana olevaan lauhduttimeen muoviset välitteet nojautumisen estämiseksi seinää vasten hyvän suorituskyvyn saavuttamiseksi.
- Älä laita painavia eikä paljon esineitä laitteen päälle.
- Jos laite asennetaan lähelle toista jääkaappia tai pakastinta, huolehdi siitä, että jätät ainakin 2 cm:n välin kondensoitumisen (kosteuden tiivistymisen) estämiseksi.
- Laite täytyy olla tukevasti ja suorassa lattialla. Käytä kahta edessä olevaa säätöjalkaa tarvittaessa.
- Laitteen ulkopuoli ja sisäpuolella olevat lisävarusteet pitää puhdistaa vesiliuoksella ja nestesaippualla. Kun kuivaaminen on suoritettu, laita varusteet takaisin paikoilleen.



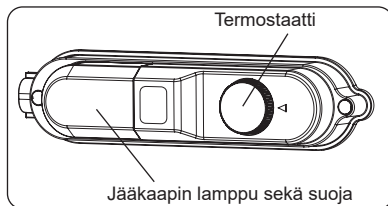
Ennen laitteen kytkemistä

- Odota 3 tuntia ennen kuin kytket laitteen verkkojohdon pistorasiaan varmistaaksesi kunnollisen toimivuuden (suorituskyvyn).
- Laite voi tuoksua uutuuttaan, kun ensimmäisen kerran kytket laitteen päälle, mutta se häviää, kun laite kylmenee.



OSA -2. LAITTEEN KÄYTTÖ

Termostaatin asetus



- Termostaatti säätää automaattisesti jääkaapin ja pakastelokeron sisäisen lämpötilan. Voit säätää lämpötilaa viileämmäksi kääntämällä termostaattinuppia 1-5 asennoissa.
- “ 0 “ asento tarkoittaa että termostaatti on kiinni ja laite ei kylmene.
- Kun säilytät ruokaa pakastelokerossa vähän aikaa, säädä termostaattinuppi pienimmän ja keskiasennon välille (1-3).
- Kun säilytät ruokaa pakastelokerossa pitkän aikaa, säädä termostaattinuppi keskiasentoon (3-4)

Lämpötilan säätöön liittyvät varoitukset

- Emme suosittele jääkaapin käyttöä tiloissa, joiden lämpötila on alle 10 °C.
- Lämpötila tulisi säätää ovien avaamistiheyden, jääkaapissa säilytetyn ruoan määrän ja huonelämpötilan perusteella.
- Jääkaappi on jätettävä käymään keskeytyksettä 24 tunnin ajaksi sen jälkeen, kun pistoke on liitetty pistorasiaan. Tämä takaa, että laite jäähtyy riittävän hyvin. Älä avaa ovia tai laita ruokaa jääkaappiin tänä aikana.
- Jääkaapissasi on 5 minuutin mittainen viivetoiminto, joka on suunniteltu estämään kompressorivauriot, kun pistoke irrotetaan pistorasiasta ja liitetään takaisin sähkökatkoksen jälkeen. Jääkaappi alkaa käydä normaalisti 5 minuutin kuluttua.
- Jääkaappisi on suunniteltu toimimaan standardeissa mainituissa huonelämpötiloissa sekä arvokilvessä mainitun ilmastoluokan mukaisesti. Jääkaapin käyttämistä ei suositella tiloissa, joiden lämpötilat eivät vastaa annettuja vaihteluvälejä, sillä tämä vaikuttaa jäähdytystehokkuuteen.
- Tämä laite on suunniteltu käytettäväksi 16 - 32 °C:een ympärivässä lämpötilassa.

Ilmastoluokka ja sen merkitys:

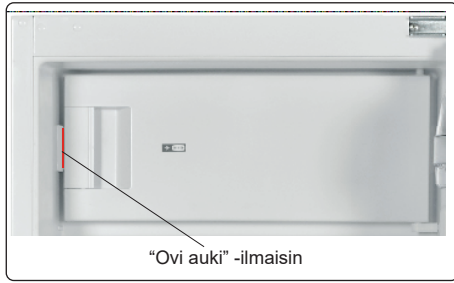
T (trooppinen): Tämä jäähdytyslaite on tarkoitettu käytettäväksi ympäristön lämpötiloissa 16 °C–43 °C.

ST (subtrooppinen): Tämä jäähdytyslaite on tarkoitettu käytettäväksi ympäristön lämpötiloissa 16 °C–38 °C.

N (lauhkea): Tämä jäähdytyslaite on tarkoitettu käytettäväksi ympäristön lämpötiloissa 16 °C–32 °C.

SN (laajennettu lauhkea): Tämä jäähdytyslaite on tarkoitettu käytettäväksi ympäristön lämpötiloissa 10 °C–32 °C.

“Ovi auki” -ilmais (yksioviset jääkaapit pakaste- lokerolla)



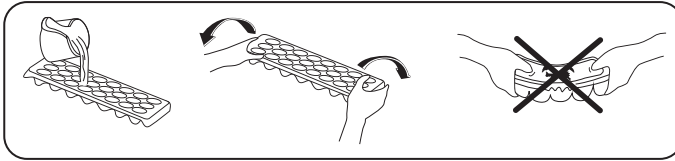
- “Ovi auki” -ilmais lukkopuolella ilmaisee onko ovi kunnolla kiinni vai ei.
- Jos punainen ilmais näkyy, ovi on jäänyt auki.
- Jos punaista ilmaisinta ei näy, ovi on kunnolla kiinni.
- Pakastelokeron oven tulee aina olla kunnolla kiinni. Se estää lokeron sisällä olevaa ruokaa sulamasta. Se estää myös jään ja huurteen muodostumisen pakastelokeron sisällä sekä

vähentää energiankulutusta.

Lisävarusteet

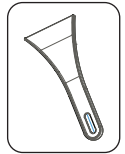
Jääkuutiolokero (Joissakin malleissa)

- Täytä jääkuutiolokero vedellä ja aseta pakastetilaan.
- Kun jäätä on muodostunut käännät vain jääkuutiolokeroa niin kuutiot irtoavat helposti.



Muovikaavin (Joissakin malleissa)

Jonkun ajan kuluttua, huurretta muodostuu tiettyihin kohtiin pakastinosassa. Huurre on poistettava säännöllisesti. Käytä tarvittaessa laitteen mukana toimitettua muovikaavinta. Älä käytä teräviä metalliesineitä huurteen poistoon. Ne voivat puhkaista jäähdytinpöytä ja aiheuttaa laitteelle korjaamattomia vaurioita.



Lisävarusteiden kuvat ja tekstikuvaukset voivat vaihdella laitteen mallin mukaan.

OSA -3. RUOANSÄILYTYS LAITTEESSA

Jääkaappi

Jääkaapissa voidaan säilyttää ruokaa usean päivän ajan.

- Älä aseta ruokaa suoraan kosketukseen jääkaapin peräseinän kanssa. Jätä tilaa ruoan ympärille sopivaa ilmankiertoa varten.
- Älä laita kuumaa ruokaa tai höyryävää nestettä jääkaappiin.
- Säilytä ruoka aina astioissa tai hyvin pakattuna.
- Älä koskaan säilytä nesteitä avatuissa astioissa tai rasioissa jääkaapissa. Näin vähennät kosteutta ja vältät huurteen syntymistä.
- On suositeltavaa säilyttää kaikenlainen pakattu liha vihanneslaatikon yläpuolella olevassa lasihyllyssä, missä ilma on kylmempää.

- Voit säilyttää hedelmät ja vihannekset vihannekselaatikossa pakkaamattomina.
- Jotta kylmä ilma ei haihtuisi jääkaapista, älä avaa ovea liian usein äläkä jätä ovea auki pitkäksi aikaa.
- Normaaleissa toimintaolosuhteissa riittää säätää jääkaappisi lämpötila-asetukseksi +4 °C.
- Jääkaappiosaston lämpötilan on oltava alueella 0–8 °C, tuoreet ruuat jäätyvät ja hajoavat alle 0 °C lämpötilassa kun taas bakteerien kasvu kiihtyy yli 8 °C ja pilaa ruuan.
- Älä laita kuumaa ruokaa välittömästi jääkaappiin, vaan odota, että se jäähtyy. Kuumat ruuat nostavat jääkaappisi lämpötilaa ja aiheuttavat ruokamyrkytyksiä ja tarpeetonta ruuan pilaantumista.
- Liha, kala, jne. on säilytettävä ruuan kylmälokerossa, ja vihanneksosasto on ensisijainen paikka vihanneksille (jos sisältyy tuotteeseen).
- Ristikontaminaation välttämiseksi lihatuotteita ja hedelmiä/kasviksia ei saa säilyttää yhdessä.
- Elintarvikkeet on laitettava jääkaappiin suljetuissa astioissa tai peitettynä, jotta estetään kosteuden ja hajujen muodostuminen.

Elintarvike	Pisin säilytysaika	Minne asettaa jääkaappiosastossa
Kasvikset ja hedelmät	1 viikkoa	Juureslokeroon
Liha ja kala	2 - 3 päivää	Kiedottuna muoviseen folioon tai pusseihin tai rasiassa (lasihyllylle)
Tuorejuusto	3 - 4 päivää	Erityiseen ovihyllyyn
Voi ja margariini	1 viikkoa	Erityiseen ovihyllyyn
Pullotetut tuotteet maito ja jogurtti	Ennen valmistajan ilmoittamaa parasta ennen päiväystä	Erityiseen ovihyllyyn
Kananmunat	1 kuukautta	Kananmunatelineeseen
Kypsennetty ruoka	2 päivää	Kaikki hyllyt

Pakastelokero

Pakastelokero on tarkoitettu tuoreiden ruokien pakastamiseen ja pakasteruokien säilytykseen pakkauksessa mainitun ajan. Pakastelokerossa voi myös valmistaa jääpaloja.

- Tuoreiden ruokien pakastaminen: säilytä tuore ruoka oikein pakatussa ja tiiviissä paketissa. Pakkauksen tulisi olla tarpeeksi tiukka eikä se saa vuotaa. Erityiset pakastepussit, alumiinifolio (korkealaatuinen, tuplapakattu), polyeteenipussit ja muovilaatikat sopivat hyvin.
- Älä laita pakastettavaa ruokaa kosketuksiin jo pakastetun ruoan kanssa.
- Muista aina merkitä pakkaukseen päivä ja sisältö. Älä ylitä merkittyä säilytysaikaa.
- Sähkövian tai toimintahäiriön sattuessa pakastelokero säilyttää tarpeeksi alhaisen lämpötilan ruoan säilytystä varten. Vältä kuitenkin pakastelokeron aukaisemista, jotta lokeron lämpötila ei nouse turhaan.
- Maksimaalinen tuoreen ruoan määrä, jonka voi säilyttää pakastelokerossa 24 tunnin ajan on mainittu nimikyltissä (katso Pakastustilavuus).
- Älä koskaan laita lämmintä ruokaa pakastelokeroon.
- Pakasteruoan osto ja säilytys: varmista että pakkaus ei ole vahingoittunut.
- Pakasteruoan pakkauksessa on mainittu säilytysaika ja suositeltu säilytyslämpötila.

Ruonan säilytystä ja käyttöä varten, seuraa valmistajan ohjeita. Jos valmistaja ei ole antanut tietoja säilytyksestä ja käytöstä, älä säilytä ruokaa 3 kuukautta kauempaa.

- Laita pakasteruoka pakastelokeroon mahdollisimman nopeasti oston jälkeen.
- Sulatettua ruokaa ei saa pakastaa uudelleen. Keitä ruoka mahdollisimman nopeasti, jotta voit syödä sen tai pakastaa sen uudelleen.
- Jääpalojen valmistus: täytä jääpalalokerot vedellä ja laita ne pakastelokeroon. Kun vesi on jäähtynyt, käännä jääpalalokero kuten alla olevassa kuvassa näkyy, ja ota jääpalat pois.

Liha ja kala	Valmistelut	Pisin säilytysaika (kuukautta)
Pihvi	Kääritynä folioon	6 - 8
Lampaanliha	Kääritynä folioon	6 - 8
Vasikanpaisti	Kääritynä folioon	6 - 8
Vasikanliha kuutioina	Pieninä paloina	6 - 8
Lampaanliha kuutioina	Paloina	4 - 8
Jauheliha	Pakkauksessaan ilman mausteita	1 - 3
Sisälmykset (paloina)	Paloina	1 - 3
Bolognan makkara/salami	Tulee pakata vaikka olisi kuorellinen	
Kana ja kalkkuna	Kääritynä folioon	4 - 6
Hanhi ja ankk	Kääritynä folioon	4 - 6
Hirvi, jänis, villisika	2,5kg annoksina ja fileenä	6 - 8
Makeanveden kalat (lohi, karppi, nieriä, monni)	Kun olet suolistanut ja suomustanut kalan pese ja kuivaa se, jos tarpeen leikkaa irti pää sekä pyrstö.	2
Vähärasvaiset kalat; ahven, piikkikampela, kampela		4
Rasvaiset kalat (tonnikala, makrilli, sinikala, sardelli)		2 - 4
Äyriäiset	Pestynä ja pakattuna pusseihin	4 - 6
Kaviaari	Omassa pakkauksessaan, alumiinisessa tai muovisessa rasiassa	2 - 3
Etanat	Suolavedessä, alumiinisessa tai muovisessa rasiassa	3



Huomaa: Pakastettu liha tulee valmistaa samalla tavoin kuin tuore sulatuksen jälkeen. Jos lihaa ei kypsennetä sulatuksen jälkeen, sitä ei koskaan saa pakastaa uudelleen.

Kasvikset ja hedelmät	Valmistelut	Pisin säilytysaika (kuukautta)
Palkokasvit ja pavut	Pese ja leikkaa pieniksi paloiksi ja keitä vedessä	10 - 13
Pavut	Katko varret, pese ja keitä vedessä	12
Kaali	Pese ja keitä vedessä	6 - 8
Porkkana	Pese, leikkaa siivuiksi ja keitä vedessä	12

Kasvikset ja hedelmät	Valmistelut	Pisin säilytysaika (kuukautta)
Paprika	Leikkaa juuret, halkaise kahteen osaan, poista kota ja keitä vedessä	8 - 10
Pinaatti	Pese ja keitä vedessä	6 - 9
Kukkakaali	Irrota lehdet, leikkaa ydin paloiksi ja jätä sitruunamehulla maustettuun veteen hetkeksi aikaa.	10 - 12
Munakoiso	Pese ja leikkaa 2cm osiin	10 - 12
Maissi	Puhdista ja pakkaa juurinen tai säilö sokerimaissina	12
Omenat ja päärynät	Kuori ja viipalo	8 - 10
Aprikoosit ja persikat	Leikkaa kahteen osaan ja poista kivet	4 - 6
Mansikat ja mustikat	Pese ja katko varret	8 - 12
Kypsenneetyt hedelmät	Lisää 10 % sokeria astiaan	12
Luumut, kirsikat, happamat marjat	Pese ja katko varret	8 - 12

	Pisin säilytysaika (kuukautta)	Sulatusaika huoneenlämmössä (tuntia)	Sulatusaika uunissa (minuuttia)
Leivät	4 - 6	2 - 3	4-5 (220-225 °C)
Pikkuleivät	3 - 6	1 - 1,5	5-8 (190-200 °C)
Leivonnaiset	1 - 3	2 - 3	5-10 (200-225 °C)
Piirakat	1 - 1,5	3 - 4	5-8 (190-200 °C)
Filotaikinasta tehdyt leivokset	2 - 3	1 - 1,5	5-8 (190-200 °C)
Pitsa	2 - 3	2 - 4	15-20 (200 °C)

Maitotuotteet	Valmistelut	Pisin säilytysaika (kuukautta)	Säilytysolosuhteet
Purkki (homogenoitua) maitoa	Omassa pakkauksessaan	2 - 3	Puhdas maito – omassa pakkauksessaan
Juusto-poislukien tuorejuustot	Siivuina	6 - 8	Alkuperäistä pakkausta voidaan käyttää lyhytkestoiseen säilytykseen. Juusto tulisi kääriä folioon pitkäkestoista säilytystä varten.
Voi, margariini	Omassa pakkauksessaan	6	

OSA -4. PUHDISTUS JA HUOLTO



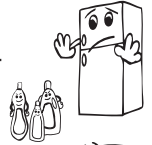
Varmista että irrotat jääkaapin verkkovirrasta ennen kuin alat puhdistamaan sitä.



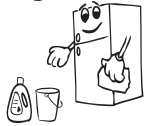
Älä pese jääkaappia kaatamalla vettä sen sisään.



Älä koskaan käytä herkästi syttyviä, räjähtäviä tai syövyttäviä materiaaleja kuten liuottimia, suihkeita tai happoja laitteen puhdistamiseen.



Voit pyyhkiä jääkaapin sisä- ja ulkopuolen pehmeällä kankaalla tai sienellä käyttäen lämmintä saippuavettä.



Irrota osat yksitellen ja puhdista ne saippuavedellä. Älä pese osia astianpesukoneessa.



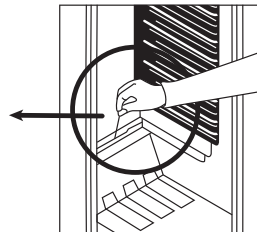
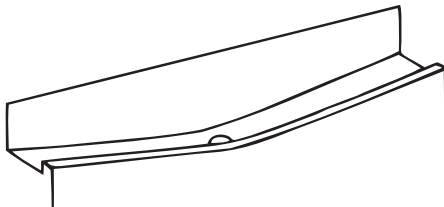
Lauhdutin tulee puhdistaa harjalla vähintään kerran vuodessa jotta laitteen energiansäästö ja tuottavuus pysyisivät ennallaan.



Varmistu siitä että jääkaappi on irrotettu verkkovirrasta puhdistamisen aikana.



Jääkaapin sulatus:



- Jääkaapin sulatus tapahtuu täysin automaattisesti. Sulatuksesta muodostunut vesi kulkeutuu säiliöön, jossa se haihtuu automaattisesti.
- Haihdutussäiliö ja sulatuksesta muodostuneen veden poistoaukko tulee puhdistaa säännöllisesti sulatusaukon työkalulla, jotta vältytään veden kerääntymiseltä jääkaapin alaosaan.
- Voit myös kaataa puoli lasia vettä poistoaukkoon ja puhdistaa sen sisältä.

Pakastelokeron sulatus (jos saatavilla):

VAROITUS: Älä koskaan käytä teräviä metalliesineitä sulatukseen, ellei valmistaja ole suositellut toisin, sillä muuten jäähdytyspiiri saattaa vahingoittua.

Pakastelokeron sisään muodostuu pikku hiljaa huurretta. Pakastelokeroon kerääntynyt huurre tulee poistaa säännöllisesti (käytä muovista kaavinta, jos mahdollista).

Pakastelokero tulee sulattaa kokonaan jos huurrekerros on yli 3-5 mm paksuinen. Muuten pakastelokero ei toimi täydellä teholla.

- Päivää ennen sulatusta, säädä termostaatti "5" asentoon, jotta ruoka pakastuu täysin.
- Sulatuksen aikana pakastettu ruoka tulee kääriä useamman paperikerroksen sisälle ja ne tulee pitää viileässä paikassa. Lämpötilan nousu lyhentää pakastetun ruoan säilytysaikaa. Muista käyttää ruoat lyhyen ajan sisällä.
- Säädä termostaattinuppi "*" asentoon ja kytke laite pois päältä.
- Jätä ovi auki sulatuksen nopeuttamiseksi. Poista sulatuksesta muodostunut vesi lokeroista.
- Puhdista pakastelokeron sisäosa käsin haalealla vedellä, jossa on hieman pesuainetta. Älä koskaan käytä hankaavia tuotteita tai voimakkaita puhdistusaineita.
- Kuivaa lokeron sisäosa, kytke laite verkkovirtaan ja säädä termostaattinuppi "5" asentoon. 24 tunnin kuluttua säädä termostaatti haluamaasi asentoon.

Replacing the Light Bulb

Jääkaapin polttimon vaihto;

1. Kytke laite irti verkkovirrasta,
2. Paina valosuojan sivvuhakoja ja poista valosuoja
3. Vaihda vanha polttimo uuteen, joka on korkeintaan 15 W.
4. Laita valosuoja paikoilleen , odota 5 minuuttia ja kytke laite verkkovirtaan.

LED-valaisimen vaihtaminen

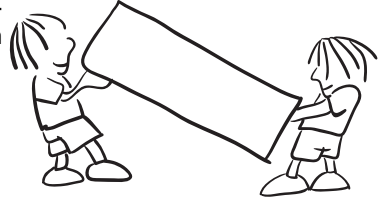
Jos jääkaapissasi on LED-valaisin ota yhteyttä asiakastukeen, valaisin tulee vaihtaa vain valtuutetun huoltohenkilöstön toimesta.

OSA -5. KULJETUS JA PAIKOILLEEN ASENTAMINEN

- Voit säilyttää alkuperäisen pakkauksen ja vaahtomuovin uudelleenkuljetusta varten (vaihtoehtoisesti).
- Pakkaa jääkaappi paksuun pakkaukseen, tai kiedo se teipillä tai vahvalla narulla ja noudata pakkauksessa olevia ohjeita uudelleenkuljetusta varten.
- Poista liikkuvat osat (hyllyt, lisävarusteet, juureslok-erot jne.) tai kiinnitä ne jääkaappiin teipillä siirtämisen ja kuljetuksen ajaksi.



Kuljeta jääkaappia pystyasennossa.



Oven avauspuolen vaihtaminen

- Oven avauspuolen vaihtaminen ei ole mahdollista jos jääkaapin ovenkahvat on asennettu oven etupintaan.
- Oven avauspuolen vaihtaminen on mahdollista malleissa joissa ei ole ovenkahvoja.
- Jos jääkaappisi oven avauspuolta on mahdollista vaihtaa, ota yhteyttä lähimpään valtuutettuun huoltoliikkeeseen puolen vaihtamiseksi.

OSA -6. ENNEN HUOLTOPALVELUUN YHTEYDENOTTOA

Jos jääkaappi ei toimi kunnolla, kyseessä saattaa olla pieni vika, jonka voit korjata itse. Lue huolellisesti seuraavat ohjeet.

Laite ei toimi,

Tarkista;

- Onko kyseessä sähkökatko,
- Pistoke ei ole kunnolla laitettu pistorasiaan tai se on liian löysällä
- Termostaatti on säädetty "•" asentoon,
- Pistoke on viallinen. Tarkista pistoke kytkemällä siihen toinen laite, joka toimii normaalisti samalla pistokkeella.

Laite toimii puoliteholla;

Tarkista;

- Onko laite liian täynnä,
- Ovet eivät ole kunnolla kiinni,
- Keittiöyksikössä ei ole tarpeeksi ilma-aukkoja, niin kuin asennusoppaassa on mainittu.

Jääkaappi pitää ääntä;

Jääkaapissa kiertävä jäähdytyskaasu saattaa pitää vähän ääntä (kupliva ääni) silloin kun kompressori ei ole päällä. Se on aivan normaalia. Jos ääni on erilainen, tarkista:

- Onko laite asennettu tukevasti paikoilleen, niin kuin Asennusoppaassa on kuvattu.

- Laitteen sisällä olevat osat ja esineet tärisyvät.

Jääkaapin alaosassa on vettä:

Tarkista;

Onko sulatuksesta muodostuneen veden poistoaukko tukossa (käytä poistoaukon työkalua puhdistukseen).

Suosituks

- Tilan lisäämiseksi ja ulkoasun parantamiseksi jääkaappien "jäähdytysosasto" on sijoitettu jääkaapin takaseinän sisään. Kun kompressori on käynnissä, seinä on täynnä huurretta tai vesipisaroi
- Jos laitetta ei käytetä pitkään aikaan (esimerkiksi kesälomien ajan), säädä termostaatinuppi "0" asentoon. Sulata ja puhdista jääkaappi ja jätä ovi auki, jotta jääkaappiin ei synny home

Vihjeet energian säästämiseksi

1– Asenna laite viileään hyvin tuuletettuun huoneeseen, mutta ei suoraan auringonpaisteeseen tai lämpölähteen viereen (lämpöpatteri, hella jne). Käytä muussa tapauksessa eristävää levyä.

2– Anna lämpimien ruokien ja juomien jäähtyä laitteen ulkopuolella.

3– Kun pakastettua ruokaa sulatetaan, aseta se jääkaappiin. Pakasteruoan alhainen lämpötila auttaa jääkaappia viilenemään sulatessa. Joten se säästää energiaa. Jos pakasteruoka otetaan ulos, aiheuttaa se energian hukkaamista.

4– Juomat ja ruoantähteet on peitettävä. Muussa tapauksessa kosteus kasvaa laitteen sisällä. Siksi sen käyntiaika lisääntyy. Juomien ja ruoantähteiden peittäminen auttaa myös hajun ja maun säilyttämisessä.

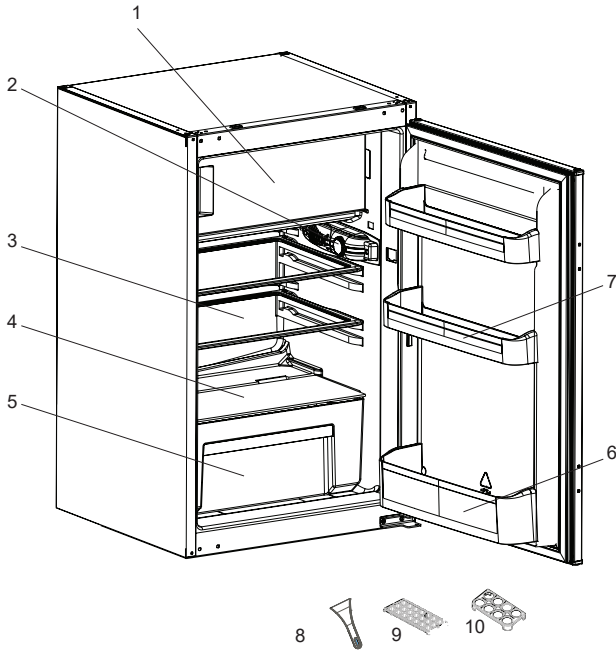
5– Pidä laitteen ovi avattuna mahdollisimman vähän aikaa asettaessasi ruokia ja juomia sen sisälle.

6– Pidä laitteen eri lokerot suljettuina (vihannekset, viileä jne).

7– Ovitiviistein on oltava puhdas ja pehmeä. Vaihda kuluneet tiivisteet.

OSA -7. LAITTEEN JA SEN LOKEROIDEN OSAT

Tätä laitetta ei ole tarkoitettu käytettäväksi kiinteästi asennettuna laitteena.



Tämä esitys on tarkoitettu vain tiedoksi laitteen osista.
Osat saattavat vaihdella laitteen mallin mukaan.

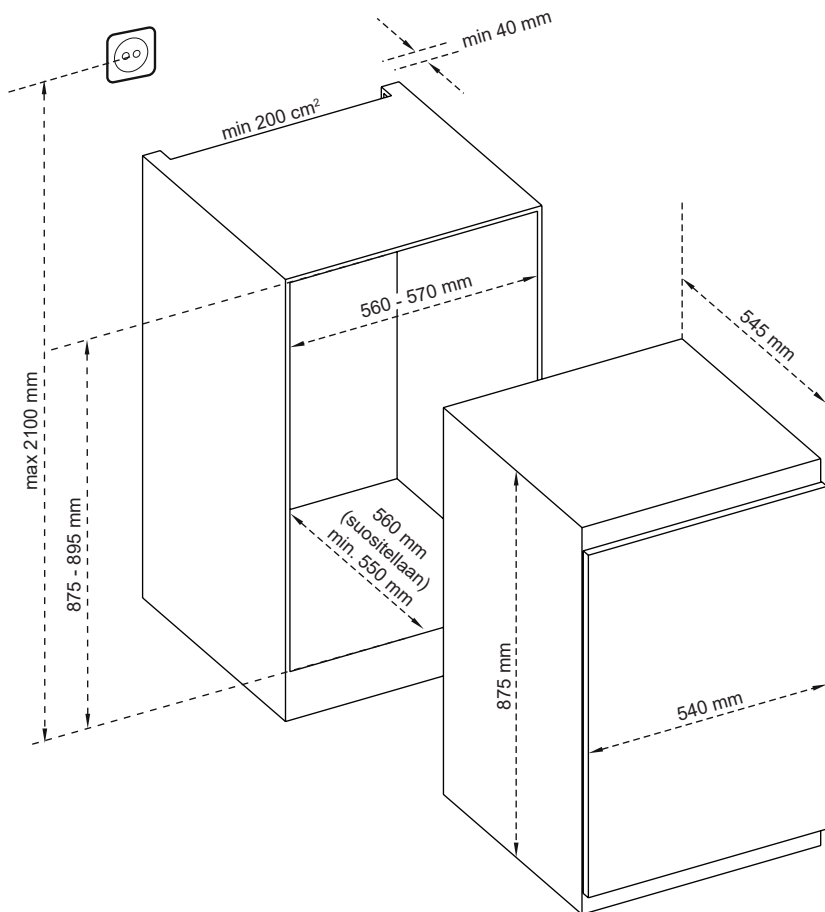
- | | |
|---------------------------------------|-----------------------|
| 1) PAKASTELOKERO | 7) KESKIHYLLY |
| 2) TERMOSTAATTI | 8) KÄYTÄ MUOVILASTAA* |
| 3) JÄÄKAAPIIN HYLLYT | 9) JÄÄKUUTIOLOKERO |
| 4) VIHANNESLAATIKON KANSI (TURVALASI) | 10) MUNAPIDIN |
| 5) VIHANNESLAATIKKO | |
| 6) PULLOHYLLY | |

* Joissakin malleissa

Yleisiä huomautuksia

Tuoreen ruoan lokero (jäykaappi): Energia käytetään tehokkaimmin, kun laatikot ovat laitteen alaosassa ja hyllyt on jaettu tasaisesti. Ovikorien paikka ei vaikuta energiankulutukseen.

Pakastelokero (pakastin): Tehokkainta energian käyttöä on varmistaa, että lokeroiden ja astioiden asettelu on tehty alkuperäisellä tavalla.



OSA -8. TEKNISET TIEDOT

Tekniset tiedot on merkitty laitteen sisäpuolella olevaan tyyppikilpeen ja energiamerkintään. Laitteen mukana toimitetun energiamerkinnän QR-koodi on web-linkki laitteen suorituskykyyn liittyviin EU:n EPREL-tietokannan tietoihin.

Säilytä energiamerkintä myöhempää tarvetta varten yhdessä käyttöohjeen ja kaikkien muiden tämän laitteen mukana toimitettujen asiakirjojen kanssa.

Samat tiedot löytyvät myös EPREL:stä käyttämällä linkkiä <https://eprel.ec.europa.eu> ja laitteen tyyppikilvestä löytyvää mallinimeä ja tuotenumeroa..

Katso osoitteesta www.theenergylabel.eu lisätietoja energiamerkinnästä.

OSA -9. TIETOJA TESTAUSLAITOKSILLE

Laitteen asennuksen ja valmistelun EcoDesign-vahvistusta varten on oltava standardin EN 62552 mukainen. Ilmanvaihtovaatimusten, syvennysmittojen ja vähimmäisetäisyyden takaosassa on oltava kuten tämän käyttöohjeen OSASSA 1 on ilmoitettu. Ota yhteyttä valmistajaan saadaksesi muita lisätietoja, sisältäen täyttösuunnitelmat.

OSA -10. ASIAKASPALVELU JA HUOLTO

Vieraile verkkosivustollamme osoitteessa:

Saa käyttöneuvoja, esitteitä, ongelmanratkaisuohteja sekä huolto- ja korjaustietoja:

www.vestel.com

DEL - 1. FØR DU BRUKER APPARATET

Generelle advarsler

⚠ ADVARSEL: Hold ventileringsåpninger, i apparatets kabinett eller i den innebygde strukturen, fri for hindringer.

⚠ ADVARSEL: Ikke bruk mekaniske enheter eller andre måter for å akselerere avisningsprosessen, annet enn det som er anbefalt av produsenten.

⚠ ADVARSEL: Ikke bruk elektriske apparater inne i matvarekammerne i apparatet, med mindre de er av en type som er anbefalt av produsenten.

⚠ ADVARSEL: Ikke skad kjølekretsen.

⚠ ADVARSEL: Når du plasserer apparatet, må du påse at strømledningen ikke blir sittende fast eller kommer til skade.

⚠ ADVARSEL: Du må ikke plassere flere skjøteledninger eller strømkontakter bak apparatet.

⚠ ADVARSEL: For å unngå fare forårsaket av et ustabilt apparat, må det fikses slik det står i instruksjonene.

⚠ Dersom apparatet bruker R600a som et kjølemiddel - kan du få denne informasjonen fra kjølerens etikett - du bør være forsiktig under frakt og installasjon for å hindre skade på kjøleelementene. Selv om R600a er en miljøvennlig og naturlig gass. Siden den er eksplosiv må du, dersom det er en lekkasje, flytte kjøleskapet ditt fra åpen flamme eller varmekilder, og ventilere rommet der apparatet står i noen få minutter.

- Mens du bærer og setter på plass kjøleskapet, ikke ødelegg kjølegasskretsen.
- Ikke lagre eksplosivt materiale slik som aerosol-kanner med flammende drivstoff i dette apparatet.
- Apparatet er ment å brukes i husholdninger og lignende apparater som;
 - personalkjøkken i butikker, kontor og andre jobbsteder

gårdshus og klienter på hotell, motell og andre overnattingssteder

-hærberger og lignende

-catering og lignende ikke-detalj apparater

- Dersom støpstelet ikke passer til kjøleskapsledningen, må den byttes av produsenten, serviceagenten eller lignende kvalifisert personell for å unngå fare.
- Et spesielt jordet støpsel har blitt koblet til strømkabelen på kjøleskapet ditt. Dette støpselet bør brukes med en spesiell jordet stikkontakt på 16 amp. Dersom det ikke finnes en slik stikkontakt i huset ditt, vennligst få det installert av en autorisert elektriker.
- Dette apparatet kan brukes av barn fra 8 år og oppover, og personer med redusert helse eller med mangel på erfaring og kunnskap dersom de har tilsyn eller blir instruert i riktig og sikker bruk, og forstår faren som er involvert. Barn skal ikke leke med apparatet. Vasking og vedlikehold skal ikke utføres av barn uten tilsyn.
- Barn i alderen mellom 3 til 8 år har lov til å laste inn og utav kjøleapparater. Barn er ikke forventet å utføre rengjøring eller vedlikehold av apparatet. Det forventes at småbarn (0-3 år) ikke bruker apparater. Det er forventet at unge barn (3-8 år) tryggy kan bruke apparater, forutsatt at det gis kontinuerlig tilsyn. Eldre barn (8-14 år) og sårbare mennesker som kan bruke apparater trygt etter at de har fått riktig tilsyn eller instruksjon for bruk av apparatet. Svært sårbare mennesker forventes ikke å bruke apparater trygt hvis ikke kontinuerlig tilsyn er gitt.
- Dersom ledningen er skadet, må den skiftes av produsenten, dens serviceagent eller lignende kvalifisert personell for å unngå fare.

- Dette apparatet skal ikke brukes i høyder som overstiger 2000 moh.

For å unngå forurensing av mat, følg disse instruksjonene:

- Å ha døren åpen i lange perioder, kan føre til en betydelig økning i temperaturen i apparatets rom.
- Rengjør jevnlig overflater som kan komme i kontakt med mat og tilgjengelige dreneringssystemer.
- Oppbevar rå kjøtt og fisk i egnede beholdere i kjøleskapet, slik at det ikke kommer i kontakt med, eller drypper på annen mat.
- To-stjerners fryseskuffer er egnet for oppbevaring av frofrossen mat, lagring eller fremstilling av iskrem og å lage isterninger.
- Ett-, to- og tre-stjerners rom er ikke egnet for frysing av fersk mat.
- Hvis kjøleapparatet er tomt i lange perioder, må du slå av, avrim, rengjøre, tørke og la døren stå åpen for å forhindre muggdannelse i apparatet.

Gamle kjøleskap i ustand

- Dersom ditt gamle kjøleskap har en lås, ødelegg eller fjern den før du kaster det, fordi barn kan sitte fast inne i det og det kan føre til en ulykke.



- Gamle kjøleskap og fryserer inneholder isolasjonsmateriale og kjølemiddel med CFC. Vær derfor veldig forsiktig for å ikke skade miljøet når du kvitter deg med det gamle kjøleskapet ditt.

Vennligst hør med rette instans i kommunen om å kvitte seg med WEEE med tanke på gjenbruk, resirkulering eller reparering.

NB!

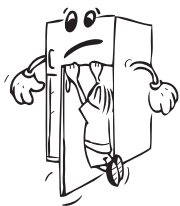
- Vennligst les bruksanvisningen nøye før du installerer og bruker apparatet ditt. Vi er ikke ansvarlige for skade som oppstår grunnet feil bruk.
- Følg alle instruksjonene på apparatet ditt og i bruksanvisningen, og oppbevar denne bruksanvisningen på et trygt sted for å løse problemer som kan oppstå i fremtiden.
- Dette apparatet er produsert for å brukes i hjemmet, og det kan bare brukes i husholdningsmiljøer og for det spesifiserte bruksområdet. Det er ikke passende for kommersiell eller felles bruk. Slik bruk vil føre til at garantien på apparatet blir kansellert, og selskapet vårt vil ikke være ansvarlige for tapene det kan medføre.
- Dette apparatet er produsert for å brukes i hus, og det passer kun til kjøling og lagring av matvarer. Det er ikke passende for kommersiell eller felles bruk, og/eller for å lagre annet materiale enn matvarer. Selskapet vårt er ikke ansvarlige for tapene som kan oppstå i motsatt fall.

Sikkerhetsadvarsler

- Ikke bruk flere uttak eller skjøteledning.
- Ikke plugg inn ødelagte, slitte eller gamle kabler.
- Ikke dra, bøy eller skad ledningen.



- Dette apparatet er designet for å brukes av voksne, ikke la barn leke med apparatet eller la dem henge i døra.
- Ikke plugg inn eller ut pluggen fra uttaket med våte hender for å unngå strømsjokk!
- Ikke plasser glassflasker eller drikkebokser i fryseren. Flasker eller bokser kan eksplodere.
- Ikke plasser eksplosivt eller brennbart materiale i kjøleskapet for din egen sikkerhet. Plasser drikke med høyere alkoholinnhold vertikalt og ved å lukke korkene deres skikkelig i kjølekammeret.
- Når du tar is som er laget i frysekammeret, ikke rør den, is kan føre til forfrysning og/eller kutt.



- Ikke rør frosne varer med våte hender! Ikke spis iskem og iskuber rett etter du har tatt dem ut fra fryseren!
- Ikke frys ned mat som allerede har vært frossent etter at det har tint. Dette kan være helseskadelig og blant annet føre til matforgiftning.

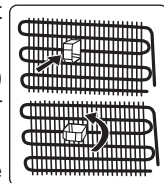


- Ikke dekk til kroppen eller toppen av kjøleskapet med snøre. Dette påvirker ytelsen til kjøleskapet ditt.
- Fiks tilbehøret i fryseren under transport for å unngå å skade det.
- Det må ikke brukes adapter på kontakten.

Installere og bruke kjøleskapet ditt

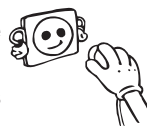
Før du begynner å bruke kjøleskapet ditt bør du legge merke til følgende punkter:

- Driftspenningen for kjøleskapet ditt er 220-240 v ved 50Hz.
- Vi tar ikke ansvar for skadene som følger av ujordet bruk.
- Plasser kjøleskapet ditt på et sted der det ikke blir utsatt for direkte sollys.
- Apparatet ditt bør være minst 50 cm fra komfyrer, gassovner og varmeapparater, og det bør være minst 5 cm fra elektriske ovner.
- Kjøleskapet ditt bør aldri brukes utendørs eller etterlatt i regn.
- Når kjøleskapet plasseres ved siden av en dypfryser, bør det være minst 2 cm mellom dem for å unngå fukt på utsiden.
- Ikke plasser noen ting under fryseren din, og sett fryseren din på en passende plass slik at det er minst 15 rom over.
- De justerbare forbenene bør stabiliseres i en passe høyde for å la kjøleskapet ditt operere på en stabil og riktig måte. Du kan justere benene ved å skru de med klokka (eller i motsatt retning). Dette bør gjøres før man plasserer matvarer i kjøleskapet.
- Før du bruker kjøleskapet ditt, vask alle delene med varmt vann tilsatt en teskje natriumbikarbonat, og rens det så med rent vann og la det tørke. Sett alle delene på plass etter vasking.
- Installer lengdejusteringsplasten (den delen med sorte vaner på baksiden) ved å snu den 90° som vist i figuren for å unngå at kondenseren berører vegg.
- Kjøleskapet bør plasseres mot en vegg med en fri distanse som ikke overskrider 75 mm.

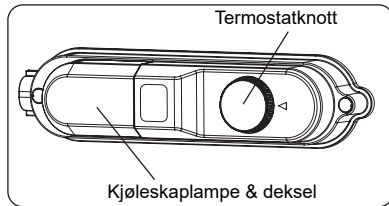


Før du bruker kjøleskapet ditt

- Når det brukes for første gang eller etter transport, la kjøleskapet ditt stå oppreist i 3 timer før du plugges det inn for best bruk. Ellers kan du skade kompressoren.
- Kjøleskapet ditt kan lukte litt når det brukes første gang; lukten vil gradvis forsvinne når kjøleskapet ditt begynner å kjøle.



DEL - 2. FUNKSJONER OG MULIGHETER



Innstilling av termostat

Termostaten regulerer automatisk temperaturen inne i kjøleskapet og i fryseren. Ved å bryteren fra innstillingene 1 til 5, kan man oppnå kaldere temperaturer.

Viktig merknad: Ikke prøv å rotere knappen mer en 1 stilling da det vil stoppe apparatet.

- For å lagre mat i fryseren over kortere perioder, kan du sette bryteren mellom 1 og 3.
- For å lagre mat i fryseren over lengere perioder, kan du sette bryteren mellom 3-4.

Merk: temperaturen i rommet rundt, temperaturen på nylig lagret mat og hvor ofte døren åpnes, virker inn på temperaturen i fryseren. Endre temperaturinnstillingen dersom det er nødvendig.

Advarsler for temperaturinnstillinger

- Omgivelsestemperaturen, temperaturen av den ferske lagrede mat og hvor ofte døren åpnes, påvirker temperaturen i kjøleseksjonen. Endre temperaturinnstillingen, hvis det er nødvendig.
- Det anbefales ikke å bruke kjøleskapet når temperaturen er under 10°C.
- Temperaturinnstillingen bør settes ved å ta hensyn til hvor ofte døren åpnes og lukkes, hvor mye mat er lagret i kjøleskapet og miljøet og plasseringen av apparatet.
- Når kjøleskapet skal brukes for første gang, er vår anbefaling å la det fungere i 24 timer for å sikre at det er helt avkjølt. Døren må ikke åpnes og mat må ikke settes inne under denne perioden.
- Kjøleskapet har en 5 minutters innebygd forsinkelsesfunksjon, som er utviklet for å hindre skader på kompressoren. Når strømmen slås på, vil kjøleskapet begynne å fungere som normalt etter 5 minutter.
- Kjøleskapet er laget for å operere i temperaturintervaller som er angitt i kravene, i henhold til klimaklassen som er angitt i informasjonsetiketten. Kjøleskapet må ikke brukes ved temperaturer som er utenfor de oppgitte temperaturintervallene i forhold til kjøleeffekt.
- Dette apparatet er beregnet for bruk i en omgivelsestemperatur i 16°C - 32°C.

Klimaklasse og betydning:

T (tropisk): Dette kjøleskapet er beregnet på bruk i omgivelsestemperaturer fra 16 °C til 43 °C.

ST (subtropisk): Dette kjøleskapet er beregnet på bruk i omgivelsestemperaturer fra 16 °C til 38 °C.

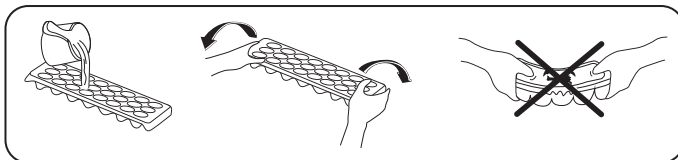
N (temperert): Dette kjøleskapet er beregnet på bruk i omgivelsestemperaturer fra 16 °C til 32 °C.

SN (utvidet temperert): Dette kjøleskapet er beregnet på bruk i omgivelsestemperaturer fra 10 °C til 32 °C.

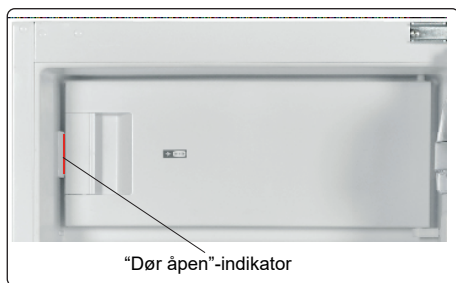
Tilbehør

Isterningsbrett

- Fyll isterningsbrettet med vann og sett det i fryseboksen.
- Når vannet har frosset helt, kan du vri på isterningsbrettet som vist nedenfor for å løsne isbitene.



“Dør åpen”-indikator



- «Dør åpen»-indikatoren på håndtaket viser om døren er lukket skikkelig igjen eller om den er åpen.
- Indikatorlampen lyser rødt hvis døren er åpen.
- Indikatorlampen lyser hvitt hvis døren er lukket.
- Døren til fryserommet bør alltid være lukket. Da unngår du at maten tiner, at det dannes is i fryseren og unødvendig strømforbruk.

DEL - 3. Plassere mat i kjøleskapet

Kjøleskapet

- For å redusere fuktighet og frostansamling, unngå å plassere væske i åpne beholdere i kjøleskapet. Frost samler seg gjerne i de kaldeste delene av fordampere og vil med tiden gjøre det nødvendig med hyppigere avising.
- Sett aldri varm mat i kjøleskapet. Varm mat bør kjøles i romtemperatur og plasseres slik at det er nødvendig luftsirkulasjon i kjøleskapet.
- Det bør ikke være noe som berører bakveggen i kjøleskapet, det forårsaker frost og emballasjen kan fryse fast til veggen. Åpne ikke døren til kjøleskapet for ofte.
- Plasser kjøtt og rensset fisk (innpakket i papir eller plastikk) som skal brukes innen 1-2 dager i den nedre delen av kjøleskapet (over skuffene). Dette er det kaldeste området i kjøleskapet og vil sikre de beste lagringsbetingelsene.
- Du kan legge frukt og grønnsaker i skuffene uten emballasje.
- For normale arbeidsforhold vil det være tilstrekkelig å justere temperaturinnstillinger på kjøleskapet ditt til +4 °C.
- Temperaturen i kjølerommet bør være i området 0-8 °C, fersk mat fryser og råtner under 0 °C, bakteriemengde øker og ødelegger maten over 8 °C.
- Ikke plasser varm mat i kjøleskapet umiddelbart, vent til temperaturen går ned. Varm mat øker temperaturen i kjøleskapet ditt, og fører til matforgiftning og unødvendig ødeleggelse av mat.
- Kjøtt, fisk, osv., bør lagre i kjøperommet for mat, grønnsaksrommet foretrekkes for grønnsaker (om tilgjengelig).

- For å unngå kryssforurensing blir kjøttprodukter og frukt og grønnsaker ikke lagret sammen.
- Mat bør plasseres i kjøleskapet i lukkede beholdere eller tildekket for å forhindre fuktighet og odører.

Mat	Maksimal lagringstid	Hvor plassere i kjøleavdelingen
Frukt og grønnsaker	1 uke	Grønnsaksbeholder
Kjøtt og fisk	2-3 Dager	Pakket inn i plastfolie eller poser eller i en kjøttbeholder (på glasshyllen)
Fersk ost	3-4 Dager	I spesiell dørhylle
Smør og margarin	1 uke	I spesiell dørhylle
Produkter på flaske melk og yogurt	Til utløpsdatoen som er anbefalt av produsenten	I spesiell dørhylle
Egg	1 måned	I egghyllen
Tilberedt mat	2 Dager	Alle hyller

Fryseboksen

- Fryseren brukes til å lagre dyperfrost eller frossen mat i lengre perioder og til å lage isbiter.
- **For å fryse fersk mat**, kontroller at maten som skal fryses er mest mulig i kontakt med fryseflaten.
- Legg ikke fersk mat ved siden av frossen mat, da det den frosne maten kan tine.
- Når du fryser fersk mat (f.eks. kjøtt, fisk og malt kjøtt), porsjoner maten i porsjoner du bruker på en gang.
- Når fryseren er aviset, sett maten tilbake i fryseren og husk å bruke maten innen kort tid.
- Sett aldri varm mat i fryseren, det vil forringe den frosne maten.
- **For å lagre frossen mat**: instruksjonene på emballasjen må alltid følges nøye, og dersom det ikke er noen informasjon på pakken, bør ikke mat oppbevares mer enn i tre måneder fra innkjøpsdatoen.
- **Når du kjøper frossen mat** bør du kontrollere at maten har vært frosset på riktig temperatur og at emballasjen er intakt.
- Frossen mat bør transporteres i passende beholdere for å bevare matens kvalitet, og plasseres i fryser så raskt som mulig.
- Dersom en pakke med frossen mat viser tegn på fuktighet og er svellet opp, er det sannsynlig at den har vært oppbevart i uegnet temperatur og at innholdet er forringet.
- **Levetiden til frossen mat** avhenger av romtemperatur, termostatinnstilling, hvor ofte døren åpnes, mattype og hvor lang tid det tar å frakte maten hjem fra butikken. Følg alltid instruksjonene på pakken, og overhold alltid maksimums holdbarhetsdato som er indikert på pakken.
- **Merk:** dersom du ønsker å åpne frysedøren rett etter at du nettopp har lukket den, vil den være vanskelig å åpne. Det er helt normalt! Når fryseren stabiliserer seg, vil døren lett la seg åpne.

Kjøtt og fisk	Forberedelse	Maksimal lagringstid (måned)
Biff	Pakket inn i folie	6-8
Lammekjøtt	Pakket inn i folie	6-8
Kalvesteik	Pakket inn i folie	6-8
Kalveterninger	I små biter	6-8
Lammeterninger	I biter	4-8
Kjøttdeig	I pakker uten tilsatt krydder	1-3
Innvoller (biter)	I biter	1-3
Bolognes-saus/salami	Bør pakkes inn selv om den har membran	
Kylling og kalkun	Pakket inn i folie	4-6
Gås og and	Pakket inn i folie	4-6
Hjortedyr, kanin, villsvin	I 2,5 kilos porsjoner og som fileter	6-8
Ferskvannsfisk (laks, karpe, crane, malle)	Etter å ha rensset fisken for innvoller og skjell, vask og tørk den; og om nødvendig kutt finner og hode.	2
Mager fisk; abbor, piggvar og flyndre		4
Fet fisk (Tunfisk, makrell, bluefish, ansjos)		2-4
Skalldyr	Renset og i poser	4-6
Kaviar	I pakken sin, aluminium- eller plastbeholder	2-3
Snegle	I saltvann, aluminium- eller plastbeholder	3



NB! Frossent kjøtt bør tilberedes som ferskt kjøtt etter det har tint. Om kjøttet ikke tilberedes etter å ha blitt tint, må det ALDRI frysas på nytt.

Frukt og grønnsaker	Forberedelse	Maksimal lagringstid (måned)
Snittbønner og bønner	Vask og kutt til små biter, og kok i vann	10-13
Bønner	Rens og vask og kok i vann	12
Kål	Renset og kokt i vann	6-8
Gulrot	Rens og kutt i biter og kok i vann	12
Paprika	Kutt stilken, del opp i to biter og fjern kjernen og kok i vann	8-10
Spinat	Vasket og kokt i vann	6-9
Blomkål	Ta blomstene fra hverandre, kutt hjertet i deler og la det ligge litt i vann som er tilsatt litt sitronjuice	10-12
Aubergine	Skjær opp i 2 cm lange biter etter vasking	10-12

Frukt og grønnsaker	Forberedelse	Maksimal lagringstid (månader)
Mais	Rens og pakk med stilken eller som sukkermais.	12
Eple og pære	Skrell og del opp	8-10
Aprikos og fersken	Kutt opp i to biter og fjern steinen	4-6
Jordbær og bjørnebær	Vask og hull ut	8-12
Tilberedt frukt	Legg til 10% sukker i beholderen	12
Plumme, kirsebær, rips	Vask og hull ut stilkene	8-12

Meieriprodukter	Forberedelse	Maksimal lagringstid (månader)	Lagringsforhold
Pakke (homogenisert) melk	I sin egen pakke	2-3	Ren melk - I sin egen pakke
Ost - inkludert hvitost	I skiver	6-8	Originalpakning kan brukes ved kort lagringsperiode. Den bør pakkes inn i folie for lengre perioder.
Smør, margarin	I sin egen pakke	6	

	Maksimal lagringstid (månader)	Opptiningstid i romtemperatur (timer)	Opptiningstid i ovn (minutter)
Brød	4-6	2-3	4-5 (220-225 °C)
Kjeks	3-6	1 - 1,5	5-8 (190-200 °C)
Bakverk	1-3	2-3	5-10 (200-225 °C)
Pai	1 - 1,5	3-4	5-8 (190-200 °C)
Filodeig	2-3	1 - 1,5	5-8 (190-200 °C)
Pizza	2-3	2-4	15-20 (200 °C)

DEL - 4. RENGJØRING OG VEDLIKEHOLD

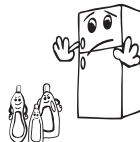
- Trekk ut støpselet før du rengjør.



- Vask ikke ved å helle vann.



- Kjøleskapet bør rengjøres regelmessig ved hjelp av en blanding av soda og lunket vann.



- Rengjør de uttakbare delene for seg med flytende såpe og vann. Ikke vask delene i oppvaskmaskin.



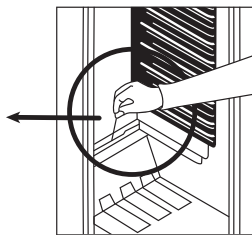
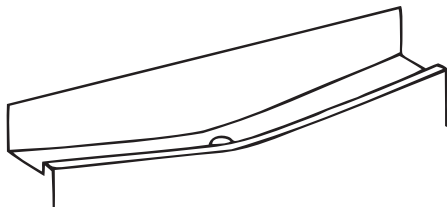
- Bruk ikke produkter med slipemiddel, løsemidler eller såpe. Etter vask skyller du med rent vann og tørker forsiktig. Når rengjøringen er fullført, setter du i støpselet med tørre hender.



- Du bør rengjøre kondenseren med børste minst én gang i året for å spare strøm og øke ytelsen.



Avising Fryseboks:



- Avising foregår automatisk i fryseboksen, avisingsvannet samles i avløpsbrettet og fordamper automatisk.
- Avløpsbrettet og avløpshullet bør rengjøres regelmessig med avisings plugg for avløp for å forhindre at vannet samler seg nederst i kjøleskapet i stedet for å renne ut.
- Du kan også helle ½ glass vann i avløpet for å rengjøre på innsiden.

Fryseboks

Frosten som samler seg i fryseren bør fjernes regelmessig (bruk plastikkskraperen som kom med kjøleskapet). Fryseren bør rengjøres på samme måte som kjøleskapet og avises minst to ganger i året.

Slik går du frem:

- Dagen før avisning setter du termostaten på 5 for at maten skal bli helt frossen.
- Mens du aviser bør du pakke inn frossen mat i flere lag papir og oppbevare den på et kaldt sted. Temperaturen vil uungåeligvis øke og redusere matens levetid. Husk å bruke maten relativt fort.
- Sett termostatbryteren på « • » eller trekk ut støpselet; la døren stå åpen til fryseren er helt aviset.
- For å fremskynde avisingsprosessen, kan du sette en eller flere baller med varmt vann i fryseren.
- Tørk av inne i fryseren og sett termostaten på MAX.

Bytte lyspære

Når du skifter lyspære i kjøleskapet:

1. Trekk støpselet ut av kontakten.
2. Trykk på krokene på siden av lysdekslet og fjern dette.
3. Skift ut lyspæren med en ny ikke mer en 15 V lyspære.
4. Sett dekslet på plass igjen og vent 5 minutter med å koble til kjøleskapet igjen.

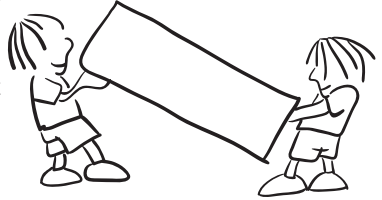
Å skifte ut LED-lys

Dersom kjøleskapet ditt har LED-belysning, vennligst kontakt kundeservice, ettersom lyset kun bør skiftes ut av berettigede fagfolk.

DEL - 5. TRANSPORT OG FLYTTING AV KJØLESKAPET

Transport og flytting av kjøleskapet

- Den originale emballasjen og polystyrenen (PS) kan dekket over dersom det er nødvendig.
- Under transport bør kjøleskapet bindes fast med et bredt bånd eller et sterkt tau. Reglene på esken i bølgepapp må følges under transport.
- Før transport eller flytting av kjøleskapet til et nytt sted, må alle løse deler (f.eks. hyller, skuffer...) taes ut eller festes med bånd for å unngå risting.



Hengsle om døren (På noen modeller)

Det er mulig å hengsle om døren.

DEL - 6. FØR DU TAR KONTAKT MED SERVICE

Dersom kjøleskapet ikke virker som det skal, kan det skyldes et mindre problem. For å spare tid og penger, bør du derfor sjekke følgende før du tilkaller en elektriker:

Dersom kjøleskapet ikke virker:

Kontroller om:

- Det ikke er noen strømtilførsel.
- Hovedbryteren til strømmen er slått av.
- Termostaten står på «•».
- Det er noe galt med kontakten. For å kontrollere dette, plugges du inn et apparat du vet virker i samme kontakt.

Dersom kjøleskapet virker dårlig:

Kontroller at:

- Du ikke har overfylt kjøleskapet.
- Dørene er ordentlig lukket.
- Det ikke er støv i kondenseren.
- Det er nok plass ved bak- og sideveggene.

Kjøleskapet lager lyd:

Kjølemiddelet som sirkulerer i kjølekretsen kan lage en lav lyd (boblende lyd) selv når kompressoren ikke arbeider. Dette er helt normalt. Dersom lydene er annerledes, kontroller følgende:

- At kjøleskapet står plant.
- At ingenting berører innerveggen.
- Om ting på toppen av kjøleskapet vibrerer.

Dersom det er vann i nedre del av fryseren, bør du kontrollere følgende:

Avløpet for avisingsvannet er tett (Bruk avisings avløpsplugg til å rengjøre avløpet).

Anbefalinger

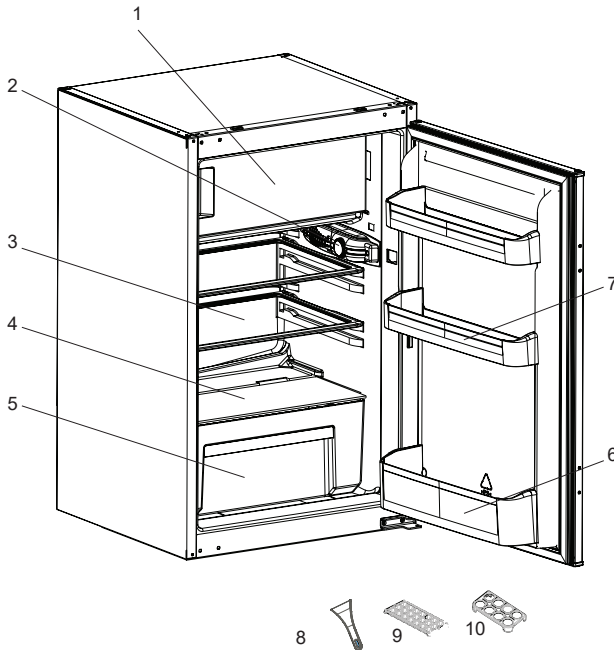
- For å få bedre plass og for penere utseende, er "kjøleseksjonen" til dette apparatet plassert inne i bakveggen til kjøleskapet. Når kjøleskapet er på er denne veggen dekket med frost eller vanndråper ettersom om kompressoren er på eller av. Dette er helt normalt. Kjøleskapet trenger bare avising dersom et veldig tykt frostlag samler seg på veggen.
- Dersom kjøleskapet ikke brukes på lang tid (for eksempel i sommerferien). Avis og rengjør kjøleskapet og la døren stå åpen for å unngå muggdannelse og lukt.
- For å slå kjøleskapet helt av, trekk ut hovedstøpselet (mens du rengjør og når dørene står åpne).

Tips for lagring av energi

- 1 - Installer apparatet på et Coll, godt ventilert rom, men ikke i direkte sollys og ikke i nærheten av varmekilden (radiator, komfyr .. osv). Ellers bruker en isolerende plate.
- 2 - Tillat menighet mat og drikke for å kjøle ned utsiden av apparatet.
- 3 - W høne tine frossen mat, plasserer den i kjøleseksjonen. Den lave temperaturen på frossen mat vil bidra til å kjøle ned kjøleseksjonen når den tiner. Så det fører til energisparing. Dersom den frosne maten er lagt ut, fører det til sløsing av energi.
- 4 - W høne å plassere, drikke s og sølevann de må dekket. Ellers luftfuktigheten øker ved apparatet. Derfor arbeidet ing tiden blir lengre. Også dekker drikke og sølevann bidrar til å spare lukt og smak.
- 5 - W høne å plassere mat og drikke, åpner døren så kort som mulig.
- 6 - Hold tett deksler av ulike temperature sammen i apparatet (Skarpere, chiller ... etc).
- 7 - Dør pakning må være ren og smidig.
- 8 - bør rengjøre baksiden av apparatet med en støvsuger eller pensel for å hindre en økt strøm consumption.

DEL - 7. KJØLESKAPETS ROM OG DELER

Apparatet er ikke beregnet å brukes som et innebygget apparat.



Denne presentasjonen er kun til informasjon om apparatets deler.
Delene kan variere avhengig av apparatmodellen.

- 1) Termostatboks
- 2) Termostatboks
- 3) Kjøleskaphylle
- 4) Glasshylle
- 5) Skuff
- 6) Flaskehylle

- 7) Smør- og osthylle
- 8) Plastisk isskovl
- 9) Isterningsbrett
- 10) Eggeglass

* I noen modeller

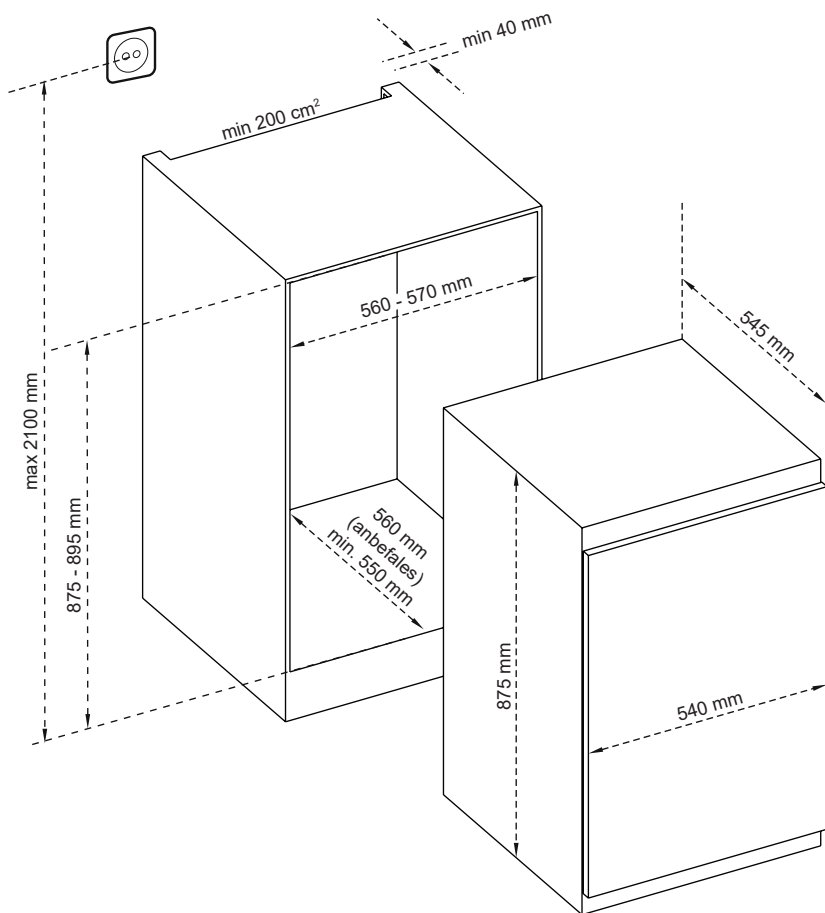
Generelle merknader

Ferskmatrom (kjøleskap): Mest effektiv energibruk er sikret i konfigurasjonen med skuffene i den nedre delen av apparatet, og hyllene jevnt fordelt, plasseringen av dørskuffer påvirker ikke energiforbruket.

Fryserom (fryser): Mest effektiv energibruk er sikret i konfigurasjonen med skuffene og beholderne i standard posisjon.

Mål

* 875 - 883 for toppdeksel av metall



DEL - 8. TEKNISK DATA

Den tekniske informasjonen kan finnes på typeskiltet på innsiden av apparatet og på energimerket.

QR-koden på energimerket levert med apparatet viser til en nettlénke til informasjon om apparatets ytelse i EU EPREL-databasen.

Lagre energimerket sammen med brukermanualen og alle andre dokumenter apparatet ble levert med.

Det er også mulig å finne den samme informasjonen i EPREL via lenken <https://eprel.ec.europa.eu> og modellnavnet og produktnummeret du finner på apparatets typeskilt.

Se lenken www.theenergylabel.eu for detaljert informasjon om energimerket.

DEL - 9. INFORMASJON TIL TESTINSTITUTT

Installasjon og forberedelse av apparatet for EcoDesign-verifisering skal skje i samsvar med EN 62552. Krav til ventilasjon, dimensjoner med anbefalte minsteavstander og åpning bak skal være som beskrevet i denne bruksanvisningens DEL 1. Ta kontakt med produsenten for ytterligere informasjon, inkludert lasteplaner.

DEL - 10. KUNDESTØTTE OG SERVICE

Besøk nettsiden vår for å:

Få bruksråd, brosjyrer, feilsøking, service og reparasjonsinformasjon.

www.vestel.com

DEL - 1 INNAN DU BÖRJAR

Allmänna varningar

⚠ VARNING: Håll ventilationsöppningarna, i apparatens hölje eller i den inbyggda struktur, fria från hinder.

⚠ VARNING: Använd inte mekaniska enheter eller andra sätt att påskynda avfrostningsprocessen, än de som rekommenderas av tillverkaren.

⚠ VARNING: Använd inte elektrisk utrustning i kylens matförvaringsdel,

om den inte är av den typ som rekommenderas av tillverkaren.

⚠ VARNING: Skada inte kylkretsen.

⚠ VARNING: När du positionerar apparaten ser du till att sladden inte är klämd eller skadad.

⚠ VARNING: Anslut inte flera bärbara uttag eller bärbara nätaggregat på baksidan av apparaten.

⚠ VARNING: För att undvika fara på grund av instabilitet i apparaten, måste den fastställas i enlighet med instruktionerna.

⚠ Om din apparat använder R600a som köldmedium - du kan få denna information från etiketten på kylaren - bör du vara försiktig under transport och montage för att förhindra att apparatens kylningsdelar från att skadas. Även om R600a är en miljövänlig och naturlig gas, eftersom den är explosivt, bör du, i händelse av ett läckage som kan ha uppstått på grund av en skada i kylningsdelarna, flytta ditt kylskåp utom räckhåll för öppen eld eller värmekällor och ventiler rummet där apparaten är placerad några minuter.

- Under transport och positionering av kylskåpet, undvik skador på kylargaskretsen.
- Förvara inga explosiva ämnen såsom aerosolburkar med en brandfarlig drivgas i denna apparat.

- Denna apparat är avsedd för användning i hushåll och liknande applikationer såsom;
 - personalköksområden i butiker, kontor och andra arbetsplatser
 - bondgårdar och av kunder på hotell, motell och andra typer av bostäder
 - bed and breakfast bostäder;
 - catering och liknande icke-butiksapplikationer,
- Om uttaget inte matchar kylskåpskontakten, måste den bytas ut av tillverkaren, dess serviceombud eller liknande kvalificerade personer för att undvika fara.
- En speciellt jordad kontakt har anslutits till ditt kylskåps ström-kabel. Denna kontakt bör användas med ett speciellt jordat uttag på 16 ampere. Om det inte finns något sådant uttag i ditt hus, se till att det installeras av en behörig elektriker.
-
- Denna apparat kan användas av barn från 8 år och uppåt och personer med nedsatt fysisk eller mental förmåga eller brist på erfarenhet och kunskap, om de övervakas eller får instruktioner angående användning av apparaten på ett säkert sätt och förstår faran den innebär. Låt inte barn leka med enheten. Rengöring och användarunderhåll, får inte utföras av barn utan tillsyn.
- Barn i åldrarna 3 till 8 år får fylla upp och ta ur kylskåp. Barn förväntas inte utföra rengöring eller användarunderhåll av apparaten, mycket små barn (0-3 år) förväntas inte använda apparater, små barn (3-8 år) förväntas inte använda apparater säkert om inte kontinuerlig tillsyn ges, äldre barn (8-14 år) och sårbara människor kan använda apparater på ett säkert sätt efter att ha fått lämplig tillsyn eller instruktioner om användning av apparaten. Mycket sårbara människor förväntas inte använda apparater på ett säkert sätt om inte kontinuerlig tillsyn ges.

- Om sladden är skadad, måste den bytas ut av tillverkaren, dess serviceombud eller liknande kvalificerade personer för att undvika fara.
- Denna apparat är inte avsedd att användas på höjder över 2000 m.

För att undvika kontamination av mat, följ följande instruktioner:

- Att hålla dörren öppen under långa perioder kan orsaka en signifikant ökning av temperaturen i apparatens fack.
- Rengör regelbundet ytor som kan komma i kontakt med mat och tillgängliga avloppssystem.
- Förvara rått kött och rå fisk i lämpliga behållare i kylskåpet, så att det inte kommer i kontakt med eller droppar på annan mat.
- Tvåstjärniga fack för fryst mat är lämpliga för förvaring av förfrysad mat, förvaring eller tillagning av glass och för att göra iskuber.
- En-, två- och tre-stjärniga fack är inte lämpliga för infrysning av färsk mat.
- Om kylaggregatet lämnas tomt under långa perioder, stäng av det, frosta av, rengör, torka och låt dörren stå öppen för att förhindra mögelutveckling i apparaten.

Säkerhetsinstruktioner

- **Varning:** Blockera inte ventilationsöppningarna i enhetens hölje eller med en ev. inbyggnadsram.
- Använd aldrig mekaniska verktyg eller liknande metoder för att påskynda avfrostning.
- Om denna apparat ska ersätta en uttjänt produkt med lås; förstör eller avlägsna låset som en säkerhetsåtgärd före deponering, för att skydda barn som vid lek kan låsa sig inne.
- Äldre kyl- och frysskåp innehåller isoleringsgas och kylmedium som skall deponeras ordentligt. Överlåt alltid deponeringen av en kasserad enhet till kvalificerad återvinningscentral och rådgör med lokala myndigheter vid eventuella frågor. Se till att inga Kylledningar skadas innan deponeringen.



Denna enhet är märkt i enlighet med det europeiska direktivet 2002/96/EG om avfall som utgörs av eller innehåller elektroniska produkter (waste electrical and electronic equipment - WEEE).

Direktivet anger ramarna för inom EU giltigt återtagande och korrekt återvinning av uttjänta enheter.

Obs:

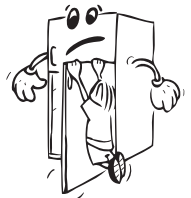
Läs noga igenom detta häfte före installation och igångsättning. Tillverkaren tar inget ansvar för oriktig installation och användning.

Rekommendationer

- Använd inte adaptrar eller omkopplingar som kan medföra överhettning eller brand.
- Använd ej elektriska apparater inuti kyl-/frysutrymmena.
- Använd inte gamla vridna elkablar.



- Vrid eller böj inte kablarna.
- Låt inte barn leka med apparaten. Barn får aldrig sitta på draglådor/hyllor eller hänga i dörren.
- Använd inte vassa metallföremål för att avlägsna is från frysutrymmen; dessa kan punktera kylledningen och medföra orepärl skada. Använd den medföljande plastskrapan.
- Tag aldrig i elkabeln med våta händer.
- Placera inte ömtåliga vätskebehållare (tunna eller i glas) i frysen, särskilt inte kolsyrade drycker då de expanderar och spränger behållaren vid frysning.
- Flaskor med hög alkoholhalt måste förseglas väl och placeras vertikalt.

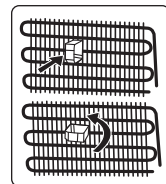


- Vidrör ej kyltorna (särskilt inte med våta händer). Det innebär risk för brännskada.
- Ät inte is eller isglass som just tagits ur frysen.
- Om elkabeln skadas skall den bytas av tillverkaren, servicerepresentanten eller anvisad kvalificerad person.
- Använd inte en adapter



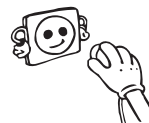
Installation och igångsättning

- Elkällan skall vara 220-240V ~50 Hz.
- Vid behov – kontakta service för installation och igångsättning.
- Kontrollera före anslutning till elkällan att spänningen överensstämmer med apparatens typskylt.
- Stickkontakten bör vara åtkomlig efter det att frysskåpet står på plats.
- Tillverkaren är inte ansvarig för fel uppkomna av otillräckligt jordad elanslutning som beskrivs i detta häfte.
- Placera inte apparaten i direkt solljus.
- Använd inte apparaten i det fria, får ej utsättas för regn.
- Placera frysskåpet väl avskilt från värmekällor på välventilerad plats. Apparaten skall placeras minst 50cm från radiator eller gas-/ koleldad spis och minst 5cm från elspisar.
- Lämna minst 15cm fritt utrymme ovanför.
- Montera plastdistansdonen på kylargallret (på baksidan) för att undvika kontakt med väggytan för god prestanda.
- Förvara inte tunga eller många föremål ovanpå.
- Vid installation intill annat frys- eller kylskåp bör ett minimiavstånd på 2cm hållas för att förhindra kondensbildning.
- Tillse att apparaten står stabilt och vågrätt på golvet. Justera nivån med de främre fötterna för att kompensera för ojämnheter i golvet.
- Rengör ytterytorna och inredning med diskvattenlösning. Innerytorna bör rengöras med ljummen natriumbikar-bonatlösning. Montera tillbaka inredningsdelarna när de torkat.



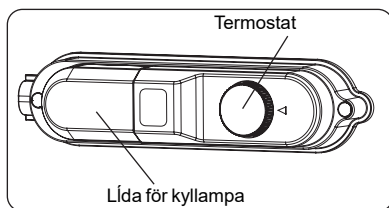
Före igångsättning

- Vänta i 3 timmar före anslutning till eluttag för att optimera prestandan.
- En lätt obehaglig lukt kan uppstå vid igångsättning första gången. Denna försvinner när kylutrymmet börjar kallna.



DEL - 2 OLIKA FUNKTIONER OCH MÖJLIGHETER

Termostatinställningar



- Termostaten reglerar automatiskt förvaringstemperaturen i kylskåpet. Genom att vrida vredet från position 1–5 erhålls gradvis lägre temperatur.
- « • » Avstängt läge – ingen kyleffekt på.
- För kortvarig matförvaring i frysutrymmet kan vredet ställas mellan min.- och medelposition. (1–3)
- För långvarig matförvaring – sätt vredet i medelpositionen. (3–4)

OBS: Omgivande rumstemperatur, temperaturen på nyss inlagt livsmedel och hur ofta dörren öppnas, påverkar temperaturen i frysutrymmet. När så önskas – ändra termostatinställningen.

Varningar om temperaturinställningar

- Det rekommenderas inte att du använder ditt kylskåp i miljöer kallare än 10°C gällande effektivitet.
- Temperaturjusteringar bör göras enligt frekvensen av dörröppningar och mängden livsmedel som förvaras i kylskåpet.
- Du bör inte gå över till en annan justering innan du slutför en justering.
- Ditt kylskåp bör drivas upp till 24 timmar beroende på omgivningstemperaturen, utan avbrott efter att ha inkopplats tills dess har svalnat helt. Öppna inte kylskåpsdörrarna ofta och placera inte mycket mat i kylskåpet under denna period.
- En 5 minuters fördröjningsfunktion används för att förhindra skador på kompressorn i kylskåpet, när du tar ut kontakten och kopplar sedan in den igen för att använda den eller när ett elavbrott sker. Ditt kylskåp börjar fungera normalt igen efter 5 minuter.
- Ditt kylskåp är tänkt för att fungera i omgivningstemperaturintervallerna som anges i standarderna, i enlighet med den klimatklass som anges i informationsetiketten. Vi rekommenderar inte att använda ditt kylskåp utom angivna temperatur-värdegränser när det gäller kylningseffektivitet.
- Apparaten är utformad för att användas vid en omgivningstemperatur inom intervallen 16 °C - 32 °C.

Klimatklass och betydelse:

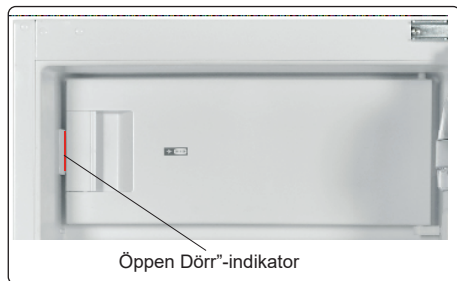
T (tropiskt): Denna kylskåpsenhet är avsedd att användas vid omgivningstemperaturer från 16 °C till 43 °C.

ST (subtropiskt): Denna kylskåpsenhet är avsedd att användas vid omgivningstemperaturer från 16 °C till 38 °C.

N (tempererat): Denna kylskåpsenhet är avsedd att användas vid omgivningstemperaturer från 16 °C till 32 °C.

SN (utökad tempererat): Denna kylskåpsenhet är avsedd att användas vid omgivningstemperaturer från 10 °C till 32 °C.

Öppen Dörr"-indikator

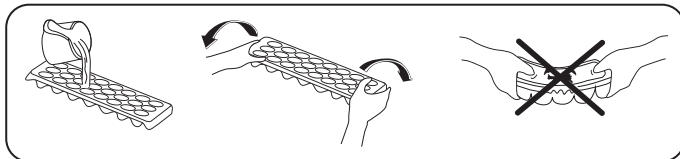


- « Öppen Dörr » -indikatorn på handtaget visar om dörren stängts ordentligt eller om den fortfarande är öppen.
- Om indikatorn är röd, är dörren fortfarande öppen.
- Om indikatorn är vit, är dörren ordentligt stängd.
- Observera att frysens dörr alltid skall vara stängd. Detta förhindrar att livsmedel avfrostas samt att tjocka isbeläggningar byggs upp inuti, vilket ökar energiförbrukningen.

Tillverka is-kuber

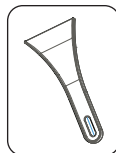
Is-fack (I vissa modeller)

- Fyll is-kubsfacket med vatten och placera i frys-facket.
- Lossa isen från is-kubsfacket genom att vrida lite på det så lossnar isen lätt.



Plastskrapa (I vissa modeller)

Efter en tid kommer det att bildas isbeläggningar i frys-facket. Isen som bildas i frys-facket ska tas bort regelbundet. Använd den medföljande plastskrapan om det behövs. Använd inte vassa metallföremål för att ta bort isen. De kan punktera kylelementen och orsaka reparerbara skador på enheten.



Bilder och textbeskrivningar i avsnittet tillbehör kan variera i enlighet med modellen av din apparat.

DEL - 3 PLACERA MATEN RÄTT

Kylskåp

- För att minska fukt och kondens får aldrig mat/dryck stå utan lock. Fukt fryser till is på kylelementet vilket resulterar i ökad elförbrukning och tätare avfrostningsintervaller.
- Placera aldrig varm mat i kylskåpet. Låt maten kallna till rumstemperatur innan den ställs in i kylskåpet.
- Placera aldrig mat direkt intill väggarna.
- Öppna inte dörren i onödan.
- Färsk fisk eller kött placeras väl inslaget i plast på nedre hyllan där skåpet är som kallast.
- Frukt och grönsaker kan placeras i grönsakslådan utan plast.
- För normala arbetsförhållanden räcker det att justera temperaturen i kylskåpet till +4° C.
- Kylfackets temperatur bör ligga i intervallet 0-8° C, färska livsmedel under 0° C fryser och ruttnar, bakteriebelastningen ökar över 8° C och livsmedel förstörs.
- Lägg inte varm mat i kylan omedelbart, låt den svalna utanför. Varma livsmedel ökar temperaturen i ditt kylskåp och orsakar matförgiftning och onödigt förstörande av maten.
- Kött, fisk etc. bör förvaras i kylfacket och grönsaksfacket föredras för grönsaker (i förekommande fall).
- För att förhindra korskontaminering ska inte köttprodukter lagras tillsammans med frukt och grönsaker.
- Livsmedel bör placeras i kylan i slutna behållare eller täckas för att förhindra fukt och lukt.

Livsmedel	Largingstid	Var den ska placeras i kyldelen
Grönsaker och frukt:	1 vecka	Grönsakslådan (utan att vara förpackad)
Kött och fisk	2 - 3 dagar	Inlindade i plastfolie, i plastpåsar eller köttförpackning (på glashyllan)
Färskost	3 - 4 dagar	I specialhyllan i dörren
Smör och margarin	1 vecka	I specialhyllan i dörren
Produkter i flaska Mjolk och yoghurt	Tills utgångsdatumet rekommenderat av producenten	I specialhyllan i dörren
Ägg	1 månad	I ägghyllan
Lagad mat	2 dagar	Alla hyllor

Frysskåp

- Frysskåpet klarar infrysning och långtidsförvaring av mat.
- Infrysning, placera så mycket som möjligt av den färska maten direkt på fryselementen för snabb infrysning.
- Placera inte färsk mat på båda sidorna om frusen mat då denna kan börja tina.
- Frys in lagom stora portioner så att du ej behöver frysa om tinad mat.
- Förbruka maten i rätt ordning så ingen mat blir liggande för länge.

- Placera aldrig varm mat i frysskåpet. Vänta tills den svalnat.
- Lagra fryst mat; följ alltid informationen på förpackningen om hur länge man kan lagerhålla maten. Finns inte information om detta, se kokboken.
- Köpt fryst mat ; kontrollera att maten ej tinat och att förpackningen är hel.
- Fryst mat ska transporteras så att den ej tinar och att kortast möjliga tid flyter mellan infrysningarna.
- Om förpackning har mycket rimfrost på sig eller ser svullen ut bör man ej använda maten. Kassera.
- Lagringstid är beroende på rumstemperatur, termostattinställning och hur ofta dörren öppnas. Överskrid aldrig max lagringstid.

Notera; Att öppna dörren direkt efter att man stängt den är inte så lätt. Detta är inget fel utan beror på tryckskillnader. Efter utjämning går det åter lätt.

Kött och fisk	Förberedelse	Lagringstid (månader)	Tiningsperiod i rumstemperatur (timmar)
Stek	I plastfolie	6-10	1-2
Lammkött	I plastfolie	6-8	1-2
Kalvstek	I plastfolie	6-10	1-2
Tärnat kalvkött	I små bitar	6-10	1-2
Lam i bitar	I bitar	4-8	2-3
Köttfärs	I förpackning utan kryddor	1-3	2-3
Inälvsmat (bitar)	I bitar	1-3	1-2
Prickig korv/salami	Ska förpackas även om de har skinn		Tills den är tinad
Kyckling och kalkon	I plastfolie	7-8	10-12
Gås och anka	I plastfolie	4-8	10
Rådjur, kanin, vildsvin	i portioner på 2,5 kg och som filéer	9-12	10-12
Färskvattensfisk (lax, karp, mal)	Efter att ha fjällt och rensat fisken, tvätta och torka den; och, om så behövs, skär av fenor och huvud.	2	Enheten är helt tinad
Mager fisk; abborre, piggvar, flundra		4-8	Enheten är helt tinad
Fet fisk (tonfisk, makrill, lax, ansjovis)		2-4	Enheten är helt tinad
Skaldjur	Rengjord och i påsar	4-6	Enheten är helt tinad
Kaviar	I sin förpackning, aluminium- eller plastbehållare	2-3	Enheten är helt tinad
Sniglar	I saltvatten, aluminium- eller plastbehållare	3	Enheten är helt tinad



Anm: Fryst mat ska tillagas som färs efter att den har tinat. Om köttet inte tillagas efter att det tinats så får det aldrig frysas igen.

Grönsaker och frukt	Förberedelse	Lagringstid	Tiningsperiod i rums-temperatur (timmar)
Blomkål	Ta bort bladen, skär kålen i bitar och låt den ligga i vatten med lite citronjuice en stund	10 - 12	Kan användas fryst
Brytbönor och bönor	Skölj och skär i små bitar	10 - 13	Kan användas fryst
Bönor	Snoppa och tvätta	12	Kan användas fryst
Svamp och sparris	Skölj och skär i små bitar	6 - 9	Kan användas fryst
Kål	Rengjord	6 - 8	2
Äggplanta	Skär i bitar på 2 cm efter sköljning	10 - 12	Separera dem från varandra
Majs	Skölj och packa med eller utan kolv	12	Kan användas fryst
Morot	Skölj och skär i skivor	12	Kan användas fryst
Paprika	Skär av stjälken, dela på hälften och ta ur kärnhuset	8 - 10	Kan användas fryst
Spenat	Sköljd	6 - 9	2
Äpplen och päron	Skala och skiva	8 - 10	(I kylan) 5
Äprikos och persika	Dela på hälften och ta ur kärnan	4 - 6	(I kylan) 4
Jordgubbar och björnbär	Tvätta och snoppa	8 - 12	2
Kokade frukter	Tillsätt 10 % socker i behållaren	12	4
Plommon, körsbär, krusbär	Skölj och ta av stjälkarna	8 - 12	5 - 7

Mejeriprodukter, bakverk		Förberedelse	Förvaringstid (månader)	Förvaringsvillkor
Mjölkpaket (homogeniserad)		I sitt eget paket	2 - 3	Ren mjölk - i sin egen förpackning
Ost - undantag för vit ost		I skivor	6 - 8	Originalförpackningen kan användas för kortvarig förvaring. Den ska plastas in för längre perioder.
Smör, margarin		I sin förpackning	6	
Ägg (*)	Äggvita		10 - 12	30 gr av det är lika med en äggula.
	Äggmix (vita och gula)	Helt mixad kan du tillsätta en nypa salt för att förhindra att det tjocknar	10	50 gr av det är lika med en äggula.
	Gula	Helt mixad kan du tillsätta en nypa salt eller socker för att förhindra att det tjocknar	8 - 10	20 gr av det är lika med en äggula.

I en försluten behållare

(*) Ska aldrig frysas med skal. Gula och vita ska frysas separat eller helt mixade.

	Largingstid (månader)	Tiningsperiod i rumstemperatur (timmar)	Tiningstid i ugn (minuter)
Bröd	4 - 6	2 - 3	4-5 (220-225 °C)
Kakor	3 - 6	1 - 1,5	5-8 (190-200 °C)
Bakverk	1 - 3	2 - 3	5-10 (200-225 °C)
Paj	1 - 1,5	3 - 4	5-8 (190-200 °C)
Filodeg	2 - 3	1 - 1,5	5-8 (190-200 °C)
Pizza	2 - 3	2 - 4	15-20 (200 °C)

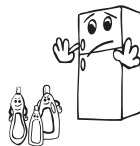
DEL - 4 RENGÖRING OCH UNDERHÅLL

- Se till att du kopplat bort apparaten från vägguttaget innan du börjar rengöra.



- Rengör inte apparaten genom att hälla vatten i den.

- Du kan torka de inre och yttre delarna av apparaten genom att använda varmt såpvatten tillsammans med en mjuk trasa eller svamp.



- Ta ur delarna en och en och rengör dem med såpvatten. Diska dem inte i diskmaskin.



- Använd inga slipande rengöringsmedel, lösningsmedel eller diskmedel, aldrig brandfarliga material, brännbart material, eller smältande material såsom tinner, bensen eller syra för rengöringsändamål.



- Rengör kondensatorn (på baksidan av apparaten) med borste en gång om året för att förhindra energiförlust och för ökad prestanda.

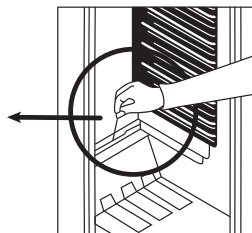
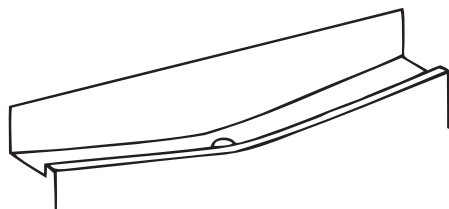


- Förvara inte rinnande olja eller mat som har tillagats i olja utan att vara tillslutna i skåpet, eftersom det kan skada skåpets plastytor. Om du spiller olja på plasten, rengör och skölj ytan direkt med varmvatten.

SE TILL ATT APPARATEN ÄR BORTKOPPLAD FRÅN VÄGGUTTAGET.

Avfrostning

Kylskåp



- Avfrostning sker automatiskt. Vattnet leds till behållare ovanför kompressor där det avdunstar.
- Vattenrännan och avloppsrör för avfrostningsvattnet måst hållas rena och öppna. Avfrostningen fungerar ej annars.

Frysiskåp;

Frysacket måste manuellt avfrostas, minst 2 gånger per år.

Inför avfrostningen;

- Förvaras matvaror i frysacket är det god idé att dagen innan avfrostningen öka kylan till max för att matvarorna ska bli så kalla som möjligt.
- Vira in maten i tidningar eller liknande så att den ej tinar under avfrostningen.
- Stäng av kylskåpet.
- Placera en stor skål med varmt vatten inne i skåpet så påskyndar man avfrostningen.
- Låt dörren stå på glänt.
- Torka rent inne i skåpet, sätt tillbaka pluggen efter avslutad avfrostning, starta skåpet igen och låt det gå på kallaste läge första dygnet efter avfrostningen.

Byte av glödlampa

Byte av glödlampa i kylskåpet;

1. Drag ut nätsladden.
2. Tryck samman hakarna och ta bort skyddskåpan.
3. Byt lampa till samma sort (max 15W).
4. Sätt tillbaka lampkåpan och anslut kylskåpet efter 5 min.

Byte av LED-belysning

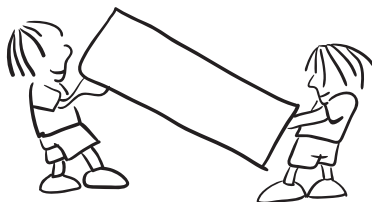
Om kylskåpet har LED-belysning som behöver bytas ska helpdesk kontaktas eftersom det endast är behörig personal som ska utföra detta.

DEL - 5 TRANSPORT OCH FLYTTNING

- Originalförpackningen och skum kan förvaras för återtransport (valfritt).
- Du bör fästa ditt kylskåp med tjock förpackning, band eller starka rep och följa instruktionerna för transporter som finns på förpackningen för återtransport.
- Ta bort rörliga delar (hyllor, tillbehör, grönsakskorgar osv.) Eller fixera dem i kylskåpet mot stötar, med hjälp av band innan flyttning och transport.



Bär ditt kylskåp i upprätt läge.



Ompositionering av dörren

- Det är inte möjligt att byta öppningsriktning för kylskåpets dörr, om dörrhandtagen är installerade på ditt kylskåp från den främre delen av dörren.
- Det är möjligt att byta öppningsriktning för kylskåpets dörr, om modellen inte har dörrhandtag.
- Om riktningen på dörren som öppnar ditt kylskåp kan ändras, bör du kontakta närmaste auktoriserade service för att förändra öppningsriktningen.

DEL - 6 INNAN DU KONTAKTAR SERVICE

Om kylskåpet inte fungerar tillfredsställande kan detta bero på ett mindre fel. Kontrollera följande punkter innan du ringer service.

Kylskåpet fungerar ej.

Kontrollera att;

- Finns ström i uttaget ?
- Har proppen gått ?
- Är termostaten i läge « • » ?
- Är vägguttaget trasigt ? Prova med annan elektrisk apparat.

Kylskåpet fungerar ej tillfredsställande.

Kontrollera att ;

- Har du för mycket « varma » varor i kylskåpet ?
- Är dörren riktigt stängd ?
- Är gallret på baksidan dammigt ?
- Är ventilationen tillräcklig runt skåpet ?

Oljud;

Kylmedlet cirkulerar i kylskåpet och skapar ett visst ljud, även bubblande ljud då kompressor stannat. Detta är normalt. Om ljudet skulle förändras kontrollera ;

- Kylskåpet står stadigt.
- Att kylskåpet står fritt och inte lutar mot något (vägg).
- Tillbehör, varor inne i skåpet vibrerar. Flytta om.

Vatten på botten;

Kontrollera att ;

Dräneringshålet i avfrostningsrännan kan vara blockerat. Rengör.

Är apparaten tillräckligt kall;

Apparaten har designats för att fungera i normal rumstemperatur i enlighet med den klasstandard som uppges på informationsetiketten. Användning av apparaten i miljöer vars temperaturvärden inte överensstämmer med de som uppges på etiketten rekommenderas inte.

VIKTIG INFORMATION:

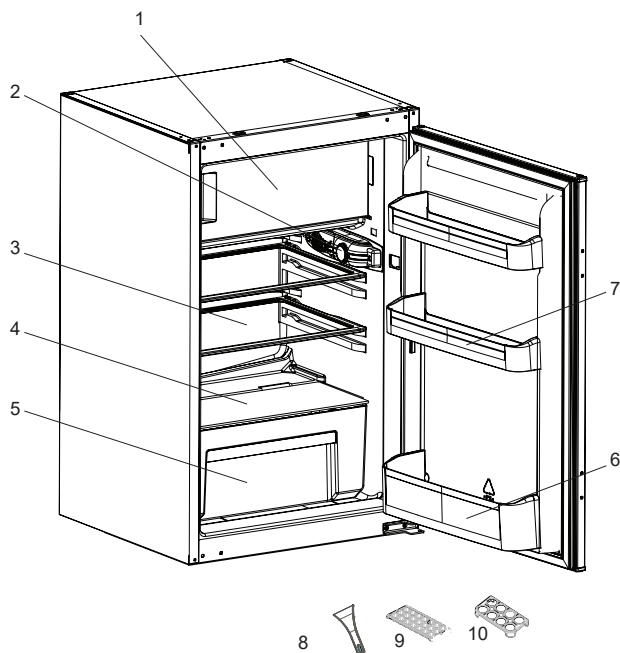
- I händelse av plötsligt strömavbrott eller att kontakten dras ut ur eluttaget kan kompressorskyddsfunktionen aktiveras då gasen i kylsystemet ännu inte är balanserad. 5 minuter senare kommer din apparat att starta normalt igen; detta är inget att oroa sig för.
- Om du inte använder din apparat under en längre tid (till exempel under sommarsemestern), koppla då ur apparaten från eluttaget. Rengör apparaten enligt beskrivningarna i Del 4 och lämna dörren öppen för att undvika uppkomsten av fukt och dålig lukt.
- Om det fortfarande är problem med apparaten, trots att du har följt kraven i varningarna, kontakta då närmaste auktoriserade serviceställe.
- ***Din apparats livscykel, uträknad och godkänd av Ministry of Industry (perioden under vilken reservdelar för enheten finns) är 10 år.***

CYLINDAS ENERGISPARTIPS

- 1– Låt mat och dryck kylas av utanför apparaten.
- 2– Placera maten i kylskåpsutrymmet vid upptining av frusen mat. Den låga temperaturen hos den frusna maten hjälper till att kyla kylskåpsutrymmet när maten tinar upp. Vilket ger en energibesparing. Om den frusna maten tas ut orsakar den ett slöseri med energi.
- 3– Vid inställning av drycker och flytande föda måste de täckas över. I annat fall ökar fuktigheten i apparaten. Vilket medför att funktionstiden blir längre. Att täcka över drycker och flytande föda hjälper också till att bevara lukt och smak.
- 4– Öppna och stäng apparatens dörr så snabbt som möjligt vid inställning av mat och dryck.
- 5– Låt locken vara på i apparaten för varje utrymme med annan temperatur. (grönsaks-, kylfack, osv).
- 6– Rengör emellanåt apparatens baksida med en dammsugare eller målarpensel för att förhindra en ökad energiförbrukning.

DEL - 7 APPARATENS DELAR

Denna apparat är inte avsedd att användas som en inbyggd apparat.



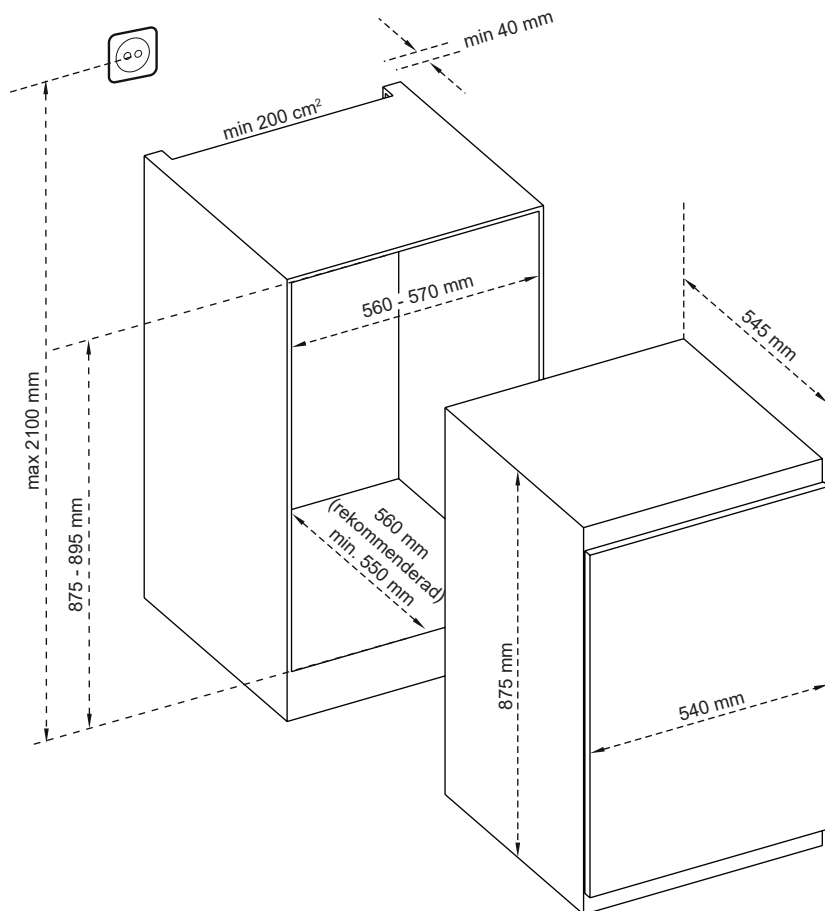
Allmänna anmärkningar

Fack för färsk mat (kyl): Mest effektiv energianvändning säkerställs i konfigurationen med lådorna i apparatens nedre del, och hyllorna jämnt fördelade, placering av dörrfack påverkar inte energiförbrukningen.

Frysack (frys): Mest effektiv energianvändning säkerställs i konfigurationen med lådorna och facken i lagerposition.

Dimensioner

* 875 - 883 för topplock av metall



DEL - 8 **TEKNISKA DATA**

Den tekniska informationen finns på typskylten på apparatens innersida och på energimärkningen.

QR-koden på energimärkningen som levereras med apparaten ger en webblänk till informationen relaterad till apparatens prestanda i EU EPREL-databasen.

Behåll energimärkningen som referens tillsammans med bruksanvisningen och alla andra dokument som medföljer denna apparat.

Det är också möjligt att hitta samma information hos EPREL via länken <https://eprel.ec.europa.eu> och modellnamnet och produktnumret som du hittar på apparatens typskylt.

Se länken www.theenergylabel.eu för detaljerad information om energimärkningen.

DEL - 9 **INFORMATION FÖR TESTINSTITUT**

Installation och förberedelse av apparaten för eventuell EcoDesign-verifiering ska överensstämma med EN 62552. Ventilationskrav, fördjupningsdimensioner och minsta bakre spel ska vara som anges i denna bruksanvisning vid DEL 1. Kontakta tillverkaren för ytterligare information, inklusive lastplaner.

DEL - 10 **KUNDEVÅRD OCH SERVICE**

Besök vår webbplats på:

Få användningsråd, broschyrer, felsökning, service och reparationsinformation:
www.vestel.com

BEZPEČNOSTNÉ POKYNY

DÔLEŽITÉ! PREČÍTAJTE SI A DODRŽIAVAJTE

Pred použitím spotrebiča si prečítajte tieto bezpečnostné pokyny. Uchovajte ich poruke pre budúce použitie.

V týchto pokynoch a na samotnom spotrebiči sú uvedené dôležité upozornenia týkajúce sa bezpečnosti, ktoré treba vždy dodržiavať. Výrobca odmieta zodpovednosť v prípade nedodržania týchto bezpečnostných pokynov, nenáležitého používania spotrebiča alebo nesprávneho nastavenia ovládania.

⚠ Veľmi malé deti (0 – 3 roky) by sa nemali zdržiavať v okolí spotrebiča. Malé deti (3 – 8 rokov) nepúšťajte k spotrebiču bez dozoru. Deti od 8 rokov a osoby so zníženými fyzickými, zmyslovými a mentálnymi schopnosťami alebo s nedostatkom skúseností a znalostí môžu používať tento spotrebič len v prípade, ak sú pod dozorom alebo dostali pokyny týkajúce sa používania spotrebiča bezpečným spôsobom a chápu hroziace nebezpečenstvá. Deti sa so spotrebičom nesmú hrať. Čistenie a používateľskú údržbu nesmú vykonávať deti bez dozoru.

POVOLENÉ POUŽÍVANIE

⚠ **UPOZORNENIE:** Spotrebič nie je určený na ovládanie prostredníctvom externého prepínacieho zariadenia, ako je časovač, ani samostatným diaľkovým ovládačom.

⚠ Tento spotrebič je určený na použitie v domácnosti alebo na podobné účely ako napr.: v oblastiach kuchyniek pre personál v dielňach, kanceláriách a iných pracovných prostrediach; na farmách; pre hostí v hoteloch, motelloch alebo iných ubytovacích zariadeniach.

⚠ Tento spotrebič nie je určený na profesionálne používanie. Spotrebič nepoužívajte vonku.

⚠ Žiarovka používaná vnútri spotrebiča je špeciálne určená pre domáce spotrebiče a nie je vhodná na bežné osvetľovanie miestností v domácnosti (nariadenie ES 244/2009).

⚠ Spotrebič je určený na používanie na miestach, kde teplota dosahuje nasledujúce rozsahy, v súlade s klimatickou triedou uvedenou na údajovom štítku. Spotrebič nemusí fungovať správne, ak sa prídlho ponechá pri teplote mimo špecifikovaného rozsahu.

Klimatická trieda Okolité teplota (°C)

SN: Od 10 do 32 °C;

ST: Od 16 do 38 °C;

N: Od 16 do 32 °C;

T: Od 16 do 43 °C;



Tento spotrebič neobsahuje látky CFC. Chladiaci okruh obsahuje R600a (HC). Spotrebiče s izobutánom (R600a): izobután je prírodný plyn bez negatívnych účinkov na životné prostredie; je však horľavý.

Preto dávajte pozor, aby sa potrubia chladiaceho okruhu nepoškodili, najmä pri vyprázdňovaní chladiaceho okruhu.

⚠ **UPOZORNENIE:** Nepoškodzujte rúrky chladiaceho okruhu spotrebiča.

⚠ **UPOZORNENIE:** Vetracie otvory na ochrannom kryte spotrebiča alebo pri zabudovanom spotrebiči nesmú byť ničím zakryté.

⚠ **UPOZORNENIE:** Na zrýchlenie procesu odmrazovania nepoužívajte mechanické, elektrické ani chemické prostriedky nad rámec tých, ktoré odporúča výrobca.

⚠ **UPOZORNENIE:** Nepoužívajte ani neumiestňujte elektrické zariadenia do vnútra priečinkov spotrebiča, pokiaľ nejde o typ, ktorý výslovne povolil výrobca.

⚠ **UPOZORNENIE:** pomôcky na tvorbu ľadu a výdajníky vody, ktoré nie sú priamo pripojené k vodovodu, sa musia plniť výlučne pitnou vodou.

⚠ V blízkosti spotrebiča neskladujte výbušné látky, ako sú aerosolové nádoby a na spotrebič nikdy nekladte ani v jeho blízkosti nepoužívajte benzín alebo iné horľavé látky.

⚠ Neprehltávajte obsah (netoxický) chladiacich vložiek (dodávaných k niektorým modelom). Nekonzumujte kocky ľadu ani ľadové lízanky bezprostredne po vytiahnutí z mrazničky, pretože vám môžu spôsobiť omrzliny.

⚠ V prípade produktov využívajúcich vzduchový filter vnútri prístupného krytu ventilátora bude počas prevádzky chladičky filter vždy nainštalovaný.

⚠ V priestore mrazničky neuchovávajúte sklenené nádoby s tekutinami, pretože môžu prasknúť. Ventilátor (ak je súčasťou výbavy) neblokujte potravinami. Po vložení potravín skontrolujte, či sa dvierka priestorov správne zatvárajú. Platí to najmä o dvierkach mrazničky.

⚠ Poškodené tesnenie je potrebné vymeniť čo najskôr.

⚠ Chladiaci priestor využívajte len na uskladnenie čerstvých potravín

a mraziaci priestor výlučne na uchovávanie mrazených potravín, mrazenie čerstvých potravín a výrobu ľadu.

⚠ Neskladujte nezabalené potraviny v priamom kontakte s vnútornými povrchmi chladiaceho alebo mraziaceho priestoru.

Spotrebiče sú vybavené špeciálnymi priečinkami (priečinkov na čerstvé potraviny, nula stupňová skrinka...). Pokiaľ nie je v konkrétnej brožúrke k spotrebiču uvedené inak, možno ich vybrať, pričom sa výkon nezmení.



C-pentán sa používa ako nadúvadlo v izolačnej pene a ide o horľavý plyn.

INŠTALÁCIA

⚠ So spotrebičom musia manipulovať a inštalovať ho minimálne dve osoby – riziko zranenia. Pri vybaľovaní a inštalovaní používajte ochranné rukavice – nebezpečenstvo porezania.

⚠ Inštaláciu, vrátane prívodu vody (ak je), elektrického zapojenia a taktiež opravy musí vykonávať kvalifikovaný technik. Nikdy neopravujte ani nevymieňajte žiadnu časť spotrebiča, ak to nie je uvedené v návode na používanie. Nepúšťajte deti k miestu inštalácie. Po vybalení spotrebiča sa uistite, že sa počas prepravy nepoškodil. V prípade problémov sa obráťte na predajcu alebo najbližší popredajný servis. Po inštalácii treba odpad z balenia (plasty, kusy polystyrénu a pod.) uložiť mimo dosahu detí – nebezpečenstvo udusenía. Pred vykonávaním inštalačných prác musíte spotrebič odpojiť od elektrického napájania – nebezpečenstvo

zásahu elektrickým prúdom. Počas inštalácie dávajte pozor, aby ste spotrebičom nepoškodili napájací kábel – nebezpečenstvo požiaru alebo zásahu elektrickým prúdom. Spotrebič zapnite až po úplnom dokončení inštalácie.

⚠ Pri premiestňovaní spotrebiča dávajte pozor, aby ste nepoškodili podlahy (napr. parkety). Spotrebič inštalujte na podlahu alebo podklad, ktorý je dostatočne pevný, aby uniesol jeho hmotnosť, na mieste vhodnom vzhľadom na veľkosť a použitie spotrebiča. Pri inštalovaní spotrebiča dbajte, aby nebol v blízkosti zdroja tepla a aby boli všetky štyri nožičky stabilné a pevne dosadali na podlahu, v prípade potreby ich nastavte a pomocou vodováhy skontrolujte, či je spotrebič v dokonale vodorovnej polohe. Kým zapnete spotrebič, počkajte aspoň dve hodiny, čím sa zaistí plná efektivita rozvodov chladiva. Všetky rozmery a vzdialenosti potrebné na inštaláciu spotrebiča nájdete v brožúrke s návodom na inštaláciu.

⚠ **UPOZORNENIE:** Pri umiestňovaní spotrebiča dávajte pozor, aby sa nikde nezasekol alebo nepoškodil napájací kábel.

⚠ **UPOZORNENIE:** ak sa má zabrániť rizikám z dôvodu nestability, umiestnenie alebo upevnenie spotrebiča sa musí vykonať podľa pokynov výrobcu.

Je zakázané umiestňovať chladničku tak, aby sa kovová hadica plynového sporáka, kovové plynové alebo vodovodné potrubie alebo elektrické drôty dotýkali zadnej steny chladničky (had kondenzátora).

ELEKTRICKÉ UPOZORNENIA

⚠ Spotrebič sa musí dať odpojiť od napájania buď vyťahnutím zástrčky, pokiaľ je ľahko dostupná, alebo prostredníctvom prístupného viacpólového prepínača nainštalovaného pred zásuvkou podľa pravidiel pre elektrické vedenia a spotrebič musí byť uzemnený v súlade s národnými bezpečnostnými normami pre elektrotechniku.

⚠ Nepoužívajte predlžovacie káble, rozdvajky ani adaptéry. Po inštalácii spotrebiča nesmú byť jeho elektrické časti prístupné používateľom. Nepoužívajte spotrebič, keď ste mokří alebo naboso.


Spotrebič neuvádzajte do činnosti, ak je poškodený napájací kábel alebo zástrčka, ak nepracuje správne, ak je poškodený alebo ak spadol.

⚠ Ak je poškodený napájací elektrický kábel, musí ho výrobca, jeho autorizovaný servis alebo podobne kvalifikovaná osoba nahradiť rovnakým káblom, aby sa predišlo nebezpečenstvu zásahu elektrickým prúdom.


⚠ **UPOZORNENIE:** Na zadnú stranu spotrebiča neumiestňujte prenosné viacnásobné zásuvky alebo prenosné zdroje napájania.

ČISTENIE A ÚDRŽBA

⚠ **UPOZORNENIE:** Pred vykonávaním údržby zabezpečte, aby bol spotrebič vypnutý alebo odpojený od elektrického napájania; nikdy nepoužívajte zariadenie na čistenie parou – nebezpečenstvo zásahu elektrickým prúdom.

 Na plastové časti, interiér a tesnenia dvierok nepoužívajte abrazívne alebo drsné čistiace prostriedky, ako sú spreje na okná, čistiace prostriedky obsahujúce žieraviny, horľavé kvapaliny, čistiace vosky, koncentrované čistiace prostriedky, bielidlá ani čistiace prostriedky obsahujúce ropné produkty. Nepoužívajte papierové utierky, drsné čistiace hubky ani nijaké drsné nástroje na čistenie.

LIKVIDÁCIA BALIACEHO MATERIÁLU

Všetky obalové materiály sa môžu recyklovať na 100 %, ako to potvrdzuje symbol recyklácie .

Rôzne časti obalu likvidujte zodpovedne, v plnom súlade s platnými miestnymi predpismi o likvidácii odpadov.


LIKVIDÁCIA DOMÁCIH SPOTREBIČOV

Tento spotrebič je vyrobený z recyklovateľných a znovu použiteľných materiálov.

Zlikvidujte ho v súlade s miestnymi predpismi o likvidácii odpadov.

Podrobnejšie informácie o zaobchádzaní, obnove a recyklácii domácich spotrebičov dostanete na miestnom úrade, v zberných surovinách alebo v obchode, kde ste spotrebič kúpili. Tento spotrebič je označený v súlade s Európskou smernicou 2012/19/ES o likvidácii elektrických a elektronických zariadení (OEEZ).

Zabezpečením, že tento výrobok bude zlikvidovaný správnym spôsobom, pomôžete predchádzať potenciálnym negatívnym dopadom na životné prostredie a ľudské zdravie.

Symbol  na spotrebiči alebo v sprievodných dokumentoch znamená, že s týmto výrobkom sa nesmie zaobchádzať ako s domovým odpadom, ale treba ho odovzdať v zbernom stredisku na recykláciu elektrických a elektronických zariadení.

RADY NA ÚSPORU ELEKTRICKEJ ENERGIE

Dodržiavajte inštalčné pokyny, aby ste zaistili náležité vetranie.

Nedostatočné vetranie za výrobkom zvyšuje spotrebu energie a znižuje účinnosť chladenia.

Časté otváranie dvier môže spôsobiť zvýšenú spotrebu energie.

Vnútoraná teplota spotrebiča a spotreba energie môžu byť ovplyvnené aj okolitou teplotou a miestom, kde sa spotrebič nachádza. Teplotu treba nastaviť vzhľadom na tieto faktory. Otváranie dverí obmedzte na minimum.

Pri roztápaní vložte mrazené potraviny do chladničky. Nízka teplota zmrazených potravín ochladí jedlo v chladničke.

Pred vložením potravín do spotrebiča ich nechajte vychladnúť.

Poloha políc v chladničke nemá vplyv na úsporu energie. Potraviny kladte na police tak, aby sa zabezpečila adekvátna cirkulácia vzduchu (potraviny by sa nemali navzájom dotýkať a mal by byť priestor medzi nimi a zadnou stenou).

Skladovaciu kapacitu na mrazené potraviny môžete zväčšiť vybratím košov, prípadne poličky Stop Frost, ak je vo výbave.

Nemusíte si robiť starosti kvôli zvukom vychádzajúcim z kompresora, sú to normálne prevádzkové zvuky.

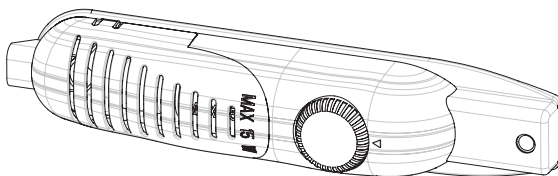


Značka zhody v Perzskom zálive na výrobku znamená zhodu so všetkými požiadavkami Technických predpisov v Perzskom zálive pre nízkonapäťové elektrické zariadenia a spotrebiče BD-142004-01.

AKO OVLÁDAŤ SPOTREBIČ

Nastavenie termostatu

- Termostat automaticky reguluje vnútornú teplotu v priestore chladničky a priehradke mrazničky. Otáčaním gombíka z polohy 1 až po 5 nastavíte nižšiu teplotu.
- Poloha „●“ znamená, že termostat je zatvorený a nedochádza k chladeniu.
- Na krátkodobé uskladnenie potravín v priehradke mrazničky môžete gombík nastaviť do polohy medzi minimálnou a strednou (1 – 3).
- Na dlhodobé skladovanie potravín v priehradke mrazničky môžete gombík nastaviť na strednú polohu (3 – 4).

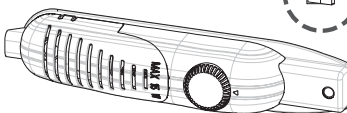


Upozornenie: Okolité teplota, teplota čerstvo uskladnených potravín a frekvencia otvárania dverí ovplyvňujú teplotu v priehradke chladničky. V prípade potreby zmeňte nastavenie teploty.

- Po prvom zapnutí nechajte spotrebič bez prestávky pracovať 24 hodín, aby dosiahol prevádzkovú teplotu.
- V priebehu tohto času otvárajte dvere čo najmenej a neskladujte v spotrebiči veľké množstvo potravín.
- Pokiaľ dôjde k vypnutiu alebo vyťahnutiu jednotky zo zásuvky, vyčakajte pred jej opätovným spustením či zapojením do zásuvky aspoň 5 minút. Zabráňte tak poškodeniu kompresora.
- Mraznička chladničky môže chladieť až do $-18\text{ }^{\circ}\text{C}$.
- Tento spotrebič je určený na používanie pri okolitej teplote v rozsahu $16\text{ }^{\circ}\text{C}$ až $-32\text{ }^{\circ}\text{C}$.

Super spínač (ak je k dispozícii)

- Štandardne by mal byť tento spínač nastavený do polohy „0“. Pokiaľ je teplota okolia nízka, napríklad v zime, (tzn. nižšia než $16\text{ }^{\circ}\text{C}$), alebo ak je potrebné teplotu v mrazničke udržiavať na nižšej hodnote, otočte spínačom do polohy pre zapnutie „1“.
- Pokiaľ chcete zapnúť spínač „super“ na termostate, prepnite spínač do polohy „1“. Spínač sa rozsvieti.
- Keď sa oddiel mrazničky ochladí na dostatočnú teplotu, alebo keď sa zvýši teplota okolia, otočte spínačom do vypnutej polohy, aby ste znížili spotrebu elektrickej energie.
- Po prvom spustení musí spotrebič zostať v nepretržitom chode 24 hodín, aby sa zaistilo dostatočné chladenie a dosiahnutie príslušnej teploty.
- V priebehu tohto času neotvárajte príliš často dverka a nevkladajte do spotrebiča príliš mnoho potravín.



Pokiaľ dôjde k vypnutiu alebo vyťahnutiu jednotky zo zásuvky, vyčakajte pred jej opätovným spustením či zapojením do zásuvky aspoň 5 minút, aby nedošlo k poškodeniu kompresora.

Veľmi rýchle zmrazenie: Ak je teplota okolia vyššia než $16\text{ }^{\circ}\text{C}$, tento spínač slúži na spustenie veľmi rýchleho mrazenia. Pre maximálnu kapacitu mrazenia je potrebné tento spínač zapnúť 24 hodín pred vložením čerstvých potravín do mrazničky. Po vložení čerstvých potravín do mrazničky obvykle postačí 24 hodín v zapnutej polohe. Aby ste ušetrili energiu, vypnite tento spínač 24 hodín po vložení čerstvých potravín do mrazničky.

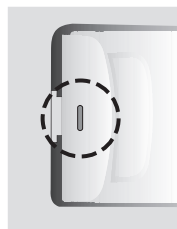
Upozornenia pre nastavenie teploty

- Okolité teplota, teplota čerstvo uskladnených potravín a frekvencia otvárania dverí ovplyvňujú teplotu v priehradke chladničky. V prípade potreby zmeňte nastavenie teploty.
- Z hľadiska efektívnosti sa neodporúča, aby chladnička pracovala v prostredí chladnejšom ako 10 °C.
- Pri nastavovaní termostatu berte do úvahy, ako často sa dvere otvárajú a zatvárajú, koľko potravín je v chladničke uskladnených, a prostredie, v ktorom je chladnička umiestnená.
- Aby sa vaša chladnička po pripojení k sieti úplne vychladila, mala by podľa okolitej teploty pracovať až 24 hodín bez prerušenia. V tomto čase neotvárajte dvere chladničky pričasto a nekladajte do nej veľké množstvo potravín.
- Keď vytiahnete napájací kábel zo siete a potom ho znova zastrčíte, aby ste spotrebič znovu pustili, alebo po výpadku elektriny sa použije funkcia 5-minútového oneskorenia, aby sa zabránilo poškodeniu kompresora chladničky. Vaša chladnička začne normálne pracovať po 5 minútach.
- Vaša chladnička je navrhnutá tak, aby pracovala v intervaloch okolitej teploty uvedených v normách podľa klimatickej triedy uvedenej na informačnom štítku. Z hľadiska účinnosti chladenia sa neodporúča prevádzkovať chladničku v prostredí, ktoré je mimo uvedených teplotných rozsahov.
- Tento spotrebič je určený na používanie pri okolitej teplote v rozsahu 16 °C až -32 °C.

Príslušenstvo

Ukazovateľ otvorených dverí

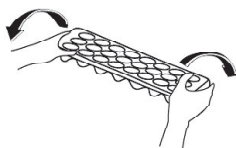
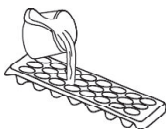
- Ukazovateľ otvorených dverí na rukoväti ukazuje, či sú dvere správne zatvorené alebo či sú ešte otvorené.
- Ak je ukazovateľ červený, dvere sú stále otvorené.
- Ak je ukazovateľ biely, dvere sú správne zatvorené.
- Dbajte, aby boli dvere mrazničky vždy zatvorené. Zabráni to rozmrazeniu potravín; vnútri mrazničky sa nebude tvoriť hrubá vrstva ľadu a námrazy, čo by zbytočne zvýšilo spotrebu elektriny.



Výroba ľadových kociek

Nádoba na ľad

- Nalejte do nádoby na ľad vodu a vložte ju do priehradky mrazničky.
- Keď voda celkom zamrzne, môžete nádobu skrútiť, ako je znázornené na obrázku, aby ste z nej uvoľnili kocky ľadu.



SKLADOVANIE POTRAVÍN V SPOTREBIČI

Chladiaci priestor

Chladiaci priestor sa používa na uskladnenie čerstvých potravín na niekoľko dní.

- Potraviny ukladajte tak, aby sa nedotýkali priamo zadnej steny chladničky. Okolo potravín nechajte priestor na cirkuláciu vzduchu.
- Do chladničky nekladajte ešte teplé jedlá alebo vyparujúce sa tekutiny.
- Pred uložením potravín do chladničky vždy dbajte, aby boli zabalené alebo uskladnené v uzavretých nádobách.
- Na zníženie vlhkosti a aby ste sa vyhli tvorbe námrazy, nikdy nekladajte do chladničky tekutiny v neuzavretých nádobách.
- Odporúčame mäso voľne zabaliť do fólie a položiť na sklenú policu nad zásuvkou na zeleninu, kde je vzduch chladnejší.
- Ovocie a zeleninu voľne skladujte v zásuvkách na ovocie a zeleninu.
- Snažte sa obmedziť otváranie dverí, ani ich nenechávajte otvorené prídlho, aby z chladničky neunikal studený vzduch.

Priehradka mrazničky

Mraziaci priestor sa používa na mrazenie čerstvých potravín a uskladnenie mrazených potravín na dobu uvedenú na obale a na výrobu kociek ľadu.

- Pri mrazení čerstvých potravín ich riadne zabaľte a obal zvarťte; obal by mal byť vzduchotesný a nemal by presakovať. Ideálne sú špeciálne mraziace vrecká, hliníková fólia (hrubá, v prípade pochybností obaľte dvojmo), polyetylénové vrecká a plastové nádoby.
- Nedovoľte, aby sa čerstvé potraviny dotýkali už zmrazených potravín.
- Na balíček vždy vyznačte dátum a obsah a neprekračujte uvedený dátum skladovania.
- V prípade výpadku elektriny alebo poruchy si mraziaci priestor uchová dostatočne nízku teplotu na uskladnenie potravín. Neotvárajte však mrazničku, aby teplota v mraziacom priestore stúpala pomalšie.
- Maximálne množstvo čerstvých potravín, ktoré možno naložiť do mrazničky v priebehu 24 hodín, je uvedené na štítku (pozri Mraziaca kapacita).
- Do mrazničky nikdy nekladajte teplé jedlá.
- Pri kupovaní a uskladnení mrazených potravín dbajte, aby obal nebol poškodený.
- Čas uskladnenia a odporúčaná teplota skladovania mrazených potravín sú uvedené na obale. Pri skladovaní a používaní dodržujte pokyny výrobcu. Ak nie sú uvedené žiadne informácie, potraviny by sa nemali skladovať dlhšie ako 3 mesiace.
- Mrazené potraviny vložte do mraziaceho priestoru čo najskôr po zakúpení.
- Po roztopení sa potraviny už nesmú znovu zmrazovať. Musíte ich čo najrýchlejšie uvariť. Na konzumáciu alebo aby ste ich potom zmrazili.

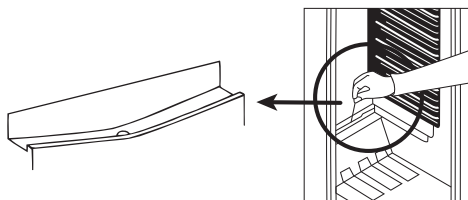
ČISTENIE A ÚDRŽBA

- Pred čistením spotrebič odpojte z elektrickej zásuvky.
- Mraziaci priestor nečistite tak, že doň nalejete vodu.
- Dbajte, aby sa do krytu žiarovky či iných elektrických komponentov nedostala voda.
- Chladničku by ste mali čistiť pravidelne roztokom sódy bikarbóny vo vlažnej vode.
- Príslušenstvo čistite osobitne mydlom a vodou. Nečistite ho v umývačke.
- Nepoužívajte abrazívne produkty, čistiace prostriedky alebo mydlá. Po umytí opláchnite čistou vodou a starostlivo vyutierajte. Po vyčistení suchými rukami zapojte do siete.
- Kondenzátor vyčistite metličkou aspoň dva razy ročne. Ušetríte tým náklady na energiu a zvýšite produktivitu.

NAPÁJANIE MUSÍ BYŤ ODPOJENÉ.

Odmrazovanie priestoru chladničky:

- Priehradka chladničky sa odmrazuje automaticky počas prevádzky; odmrazená voda sa zhromažďuje v odparovacej nádobke a automaticky sa odparuje.
- Odparovaciu nádobku a odtok na odmrazenú vodu treba pravidelne čistiť zástrčkou na odmrazovací odtok, aby sa voda namiesto odtekania nezhrmAžďovala na dne chladničky.
- Odtokový otvor môžete vyčistiť aj tak, že doň nalejete ½ pohára vody.



Odmrazovanie mraziaceho priestoru:

UPOZORNENIE: Na túto činnosť nikdy nepoužívajte ostré kovové nástroje, pokiaľ to neodporúča výrobca, pretože by mohli poškodiť chladiaci okruh.

Po čase sa na niektorých miestach v mraziacej priehradke vytvorí námraza. Námrazu nahromadenú v mraziacom priestore treba pravidelne odstraňovať (pomocou plastovej škrabky, ak je priložená).

Aby sa zachovala účinnosť mrazničky, úplné odmravenie bude potrebné, ak je vrstva námrazy hrubšia ako 3 – 5 mm.

- Deň pred odmrávaním nastavte kotúč termostatu do polohy 5, aby ste potraviny celkom zamrazili.
- Počas odmráovania treba zmrazené potraviny zabaliť do niekoľkých vrstiev papiera a uložiť na chladné miesto. Nevyhnutné zvýšenie teploty skráti ich dobu uskladnenia. Nezabudnite tieto potraviny spotrebovať v pomerne krátkom čase.
- Gombík termostatu nastavte do polohy „•“ a spotrebič vypnite.
- Aby sa odmráovanie zrýchliilo, nechajte dvere otvorené. Odstráňte z priehradky odmrazenú vodu.
- Vnútro vyčistite vlažnou vodou s trochou čistiaceho prostriedku.

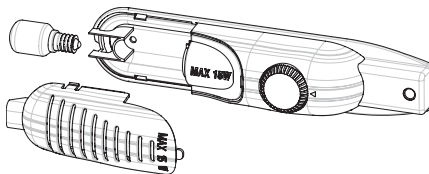
Nikdy nepoužívajte drsné ani agresívne čistiace prostriedky.

- Vnútro spotrebiča vyutierajte dosucha, zapojte ho do siete a gombík termostatu nastavte do polohy 5. Po 24 hodinách nastavte termostat do želanej polohy.

Výmena žiarovky

Pri výmene žiarovky v chladničke:

1. Odpojte spotrebič z elektrickej zásuvky,
2. Stlačte háčiky na bokoch krytu žiarovky a kryt odložte
3. Vymeňte starú žiarovku za novú, ktorá nemá viac ako 15 W.
4. Nasad'ite kryt a po piatich minútach spotrebič zapnite.



Výmena LED osvetlenia

Ak má vaša chladnička LED osvetlenie, obráťte sa na zákaznícku podporu, pretože ho môže vymeniť iba oprávnený pracovník.

PREPRAVA A ZMENA MIESTA INŠTALÁCIE

Preprava a zmena miesta inštalácie

- Pôvodný obal a polystyrénovú penu si môžete nechať, ak potrebujete.
- Počas prepravy treba spotrebič zaistiť širokým povrazom alebo silným lanom. Pri preprave treba dodržiavať pokyny uvedené na kartónovej škatuli.
- Pred prepravou alebo zmenou umiestnenia vyberte zo spotrebiča všetky pohyblivé predmety (t. j. police, zásuvky na zeleninu a ovocie...) alebo ich pripevnite páskami, aby sa nepoškodili.

PREDTÝM AKO ZAVOLÁTE POPREDAJNÝ SERVIS

Ak vaša chladnička nepracuje správne, mohol to spôsobiť iba malý problém, preto skontrolujte nasledovné.

Spotrebič nefunguje.

Skontrolujte. či:

- nenastal výpadok prúdu,
- či je zástrčka správne zasunutá do zásuvky, či nie je uvoľnená,
- termostat nie je v polohe „•“,
- zásuvka nie je chybná. Skontrolujete to tak, že do nej zapojíte iný spotrebič, o ktorom viete, že funguje.

Spotrebič pracuje slabo.

Skontrolujte. či:

- spotrebič nie je preťažený,
- sú dvere riadne zavreté,
- v kuchynskej zostave nie je nedostatočné množstvo vetracích otvorov podľa odporúčaní v návode na inštaláciu.

Ak zo spotrebiča počuť zvuky:

Chladiaci plyn, ktorý cirkuluje v chladiacom okruhu, môže vydávať určité zvuky (bublanie), aj keď kompresor nepracuje. Nebojte sa, je to celkom normálne. Ak počujete iný zvuk,

skontrolujte. či:

- spotrebič stojí pevne, ako je opísané v návode na inštaláciu,
- nevibrujú veci v spotrebiči.

Ak je v spodnej časti chladničky voda:

Skontrolujte, či:

- odtoková dierka na vodu nie je upchatá (odtokovou zástrčkou odtokovú dierku prečistite).
- Chladnička nedostatočne chladí:
- Vaša chladnička je navrhnutá tak, aby pracovala v intervaloch okolitej teploty uvedených v normách podľa klimatickej triedy uvedenej na informačnom štítku. Neodporúčame prevádzkovať chladničku mimo uvedených teplotných limitov. Znižuje to chladiacu účinnosť spotrebiča.

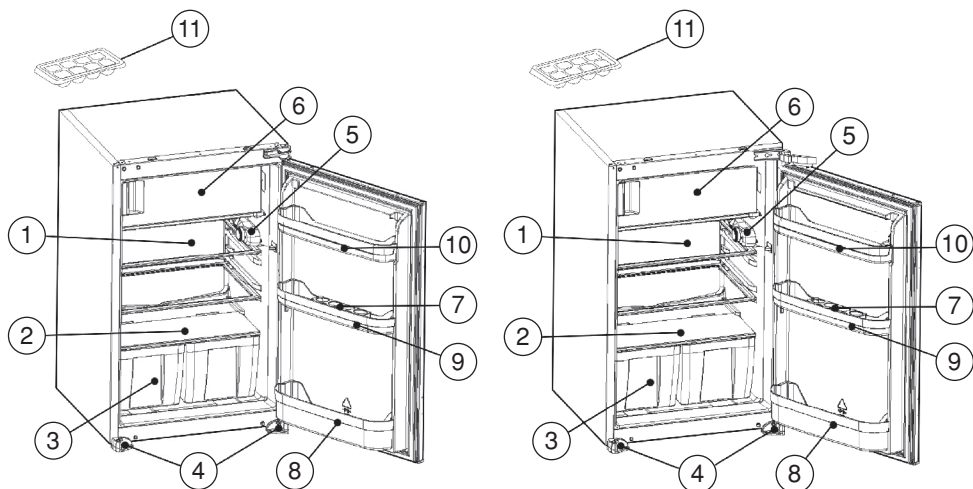
Odporúčania

- Počas výpadku elektriny spotrebič odpojte zo zásuvky, aby ste zabránili poškodeniu kompresora. Po obnovení dodávky elektriny počkajte 5-10 minút, až potom spotrebič znova pripojte k sieti.
- Ak ste z akýchkoľvek dôvodov chladničku odpojili od elektriny, počkajte aspoň 5 minút, kým ju znova pripojíte k sieti. Zabráňte tak poškodeniu komponentov chladničky.
- Chladiaca jednotka chladničky je skrytá v zadnej stene spotrebiča. Preto sa v dôsledku činnosti kompresora v určených intervaloch môžu na povrchu zadnej steny chladničky zjaviť kvapky vody alebo ľad. Je to normálne, pokiaľ vrstva ľadu nie je nadmerná, nemusíte spotrebič odmrazovať.
- Ak chladničku dlhšie nebudete používať (napr. počas letných prázdnin), otočte termostat do polohy „*“. Po odmrazení chladničku vyčistite a nechajte dvere otvorené, aby v nej nevznikala vlhkosť a zápach.
- Ak problém pretrváva aj po postupe podľa pokynov uvedených vyššie, poraďte sa s najbližším autorizovaným servisom.
- Spotrebič, ktorý ste si kúpili, je určený na použitie v domácnosti a možno ho používať iba na uvedené účely. Nie je vhodný na komerčné používanie. Ak spotrebiteľ používa spotrebič spôsobom, ktorý nie je v súlade s týmto určením, zdôrazňujeme, že výrobca ani predajca nenesú zodpovednosť za nijaké opravy ani poruchy v záručnej lehote.

Tipy, ako ušetriť energiu

1. Nainštalujte spotrebič v chladnej, dobre vetranej miestnosti, ale nie na priamom slnečnom svetle, ani blízko zdrojov tepla (radiátor, sporák, atď.). Inak použite izolačnú dosku.
2. Potraviny a nápoje najprv nechajte vychladnúť mimo spotrebiča.
3. Pri roztápaní vložte mrazené potraviny do chladničky. Nízka teplota mrazených potravín pri ich roztápaní pomôže ochladiť priestor chladničky. Pomôže to ušetriť energiu. Ak mrazené potraviny vyložíte von, je to plytvanie energiou.
4. Nápoje a iné tekutiny pred vložením do spotrebiča zatvorte. Inak by sa zvýšila vlhkosť v spotrebiči. Preto by sa predĺžil čas práce. Uzatvorenie nápojov a tekutín zároveň pomôže uchovať ich vôňu a chuť.
5. Snažte sa neotvárať dvere nadlho alebo príliš často, aby sa do spotrebiča nedostal teplý vzduch, čo by malo za následok zbytočne časté zapínanie kompresora.
6. Kryty rôznych teplotných priestorov (zásuvka na ovocie a zeleninu, ochladzovacia priehradka atď.) nechajte zatvorené.
7. Tesnenie dverí musí byť čisté a elastické. Ak je tesnenie opotrebované, vymeňte ho.

ČASTI SPOTREBIČA A PRIEHRADKY



Toto je iba orientačné zobrazenie častí spotrebiča.
V závislosti od modelu sa môžu časti líšiť.

- | | |
|--|-------------------------|
| 1. POLICA CHLADNIČKY | 6. PRIEHRADKA MRAZNIČKY |
| 2. KRYT ZÁSUVKY NA OVOCIE A ZELENINU (BEZPEČNOSTNÉ SKLO) | 7. POLIČKA NA VAJCIA |
| 3. ZÁSUVKA NA OVOCIE A ZELENINU | 8. POLIČKA NA FLAŠE |
| 4. ĽAVÁ A PRAVÁ NOŽIČKA | 9. STREDNÁ POLIČKA |
| 5. SKRINKA TERMOSTATU | 10. POLIČKA NA MASLO |
| | 11. NÁDOBKKA NA ĽAD |

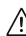
BIZTONSÁGI UTASÍTÁSOK

FONTOS INFORMÁCIÓ: olvassa el és tartsa be

A készülék használata előtt olvassa el az alábbi biztonsági útmutatót.

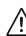
Őrizze meg a későbbi felhasználás érdekében.

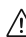
A kézikönyvben és a készüléken található fontos biztonsági figyelmeztetéseket mindig olvassa el és tartsa be. A gyártó nem vállal felelősséget a biztonsági utasítások figyelmen kívül hagyásából, a készülék nem rendeltetésszerű használatából vagy a készülék kezelőszerveinek helytelen beállításából eredő károkért.

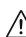
 Kisgyermeket (0–3 év között) ne engedjen a készülék közelébe. Gyermek (3–8 év között) kizárólag felügyelet mellett tartózkodhat a készülék közelében. 8 éves vagy idősebb gyermekek, valamint testi, érzékszervi vagy szellemi fogyatékkal élő, illetve tapasztalat vagy ismeretek hiányában hozzá nem értő személyek a készüléket kizárólag felügyelet mellett vagy a biztonságos használatra vonatkozó tájékoztatást követően és a fennálló kockázatok megértése után használhatják.

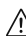
Soha ne engedje, hogy a gyermekek játsszanak a készülékkel. Gyermek nem végezhetik a készülék tisztítását és karbantartását felügyelet nélkül.

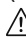
RENDELTETÉSSZERŰ HASZNÁLAT

 **VIGYÁZAT:** Kialakításából adódóan a készülék működtetése nem lehetséges külső időzítő szerkezettel vagy külön távirányítóval.

 A készüléket háztartási és hasonló célokra tervezték, mint például: műhely, iroda és más munkakörnyezet személyzeti konyhája; nyaraló; szálloda, motel, szálláshely és egyéb lakókörnyezet.

 A készüléket nem ipari felhasználásra tervezték. Ne használja a készüléket kültéren.

 A készülékben lévő izzót kifejezetten háztartási gépekhez tervezték, ezért otthoni helyiségek általános megvilágítására nem alkalmas (244/2009/EK rendelet).

 A készüléket az alábbi hőmérsékleti tartományok közül abban a klímaosztályban kell üzemeltetni, amelynek jelzése a készülék adattábláján fel van tüntetve. Előfordulhat, hogy a készülék nem működik megfelelően, ha hosszabb időn át az előírt tartományon kívüli hőmérsékleten üzemelteti.

Klímaosztály Körny. hőm. (°C)

SN: 10 és 32 °C között

ST: 16 és 38 °C között;

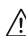
N: 16 és 32 °C között

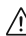
T: 16 és 43 °C között



Ez a készülék nem tartalmaz CFC-eket. A hűtőkör R600a (HC) hűtőközeget tartalmaz. Izobutánt (R600a) alkalmazó készülékek: Az izobután olyan földgáz, amely nem károsítja a környezetet, viszont gyúlékony. Ezért, különösen a hűtőkör ürítésekor, győződjön meg arról, hogy nem sérültek-e a hűtőkör csövei.

 **FIGYELEM:** Tilos a készülék hűtökörének csöveit megrongálni.

 **FIGYELEM:** Hagyja szabadon a készülék házán és a beépített részen lévő nyílásokat.

 **FIGYELEM:** A leolvasztás felgyorsítása érdekében kizárólag a gyártó ajánlásait kövesse, és ne

alkalmazzon egyéb mechanikus, elektromos vagy vegyi módszereket.

⚠ FIGYELEM: Ne tegyen a készülékbe a gyártó által ajánlottaktól eltérő típusú elektromos berendezéseket, illetve ne használjon ilyeneket.

⚠ FIGYELEM: A vízhálózatba közvetlenül nem bekötött jégkockakészítőket és/vagy vízadagolókat kizárólag ivóvízzel szabad feltölteni.

⚠ Ne tároljon robbanásveszélyes anyagokat (pl. aeroszolos flakont) a készülékben vagy annak közelében. Ne tegyen benzint vagy egyéb gyúlékony anyagot a készülékbe vagy annak közelébe, illetve ne használjon hasonlókat a készülékben vagy annak közelében.

⚠ Ne nyelje le a jégakkuban lévő (nem mérgező) folyadékot (bizonyos modelleknél elérhető). Miután a jégkockákat vagy a jégkrémet kivette a készülékből, ne fogyassza el azonnal, mert fagyási sérüléseket szenvedhet.

⚠ Ha a készülék ventilátorának burkolata alá levegőszűrőt kell helyezni, a szűrőnek a készülék használata közben mindig a helyén kell lennie.

⚠ A fagyasztótérben ne tároljon folyadékot üvegedényben, az ugyanis széttörhet.

A ventilátort (ha van) ne takarja el élelmiszerekkel.

Az élelmiszerek behelyezése után győződjön meg arról, hogy a hűtőszekrény ajtajai – különösen a fagyasztó ajtaja – megfelelően be vannak zárva.

⚠ A sérült tömitéseket a lehető leghamarabb ki kell cserélni.

⚠ A hűtőteret kizárólag friss élelmiszerek tárolására, a fagyasztóteret pedig mélyhűtött ételek

tárolására, friss ételek lefagyasztására és jégkockakészítésre használja.

⚠ A nem csomagolt élelmiszereket úgy helyezze el, hogy azok ne érjenek hozzá a hűtőtér/fagyasztótér falához. A készülékek speciális rekeszekkel vannak kialakítva (pl. friss élelmiszereket tároló rekesz, zéró hőmérsékletű rekesz stb.). Ha a készülékhez kapott tájékoztató másként nem rendelkezik, a rekeszek eltávolíthatók anélkül, hogy a teljesítmény csökkenne.



A C-pentán gyúlékony gáz, amelyet habosítóanyagként használnak a szigetelőhabhoz.

ÜZEMBE HELYEZÉS

⚠ A készülék mozgatását és üzembe helyezését a sérülésveszély csökkentése érdekében két vagy több személy végezze.

Viseljen védőkesztyűt a készülék kicsomagolása és üzembe helyezése során, nehogy megvágja magát.

⚠ A készülék üzembe helyezését, a vízbekötést (ha van) és az elektromos csatlakoztatást is beleértve, illetve a javítást kizárólag képzett szakember végezheti. Csak akkor javítsa meg vagy cserélje ki a készülék egyes alkatrészeit, ha az adott művelet szerepel a felhasználói kézikönyvben. Ne engedje a gyermekeket abba a helyiségbe, ahol az üzembe helyezést végzi. A kicsomagolás után ellenőrizze, hogy a készülék nem sérült-e meg a szállítás során. Probléma esetén vegye fel a kapcsolatot a kereskedővel vagy a legközelebbi vevőszolgálattal. Üzembe helyezés után a csomagolóanyagokat (műanyag, habszivacs stb.) a fulladásveszély miatt olyan helyen tárolja, ahol gyermekek nem férhetnek hozzá. Az áramütés elkerülése

érdekében az üzembehelyezési műveletek előtt húzza ki a készülék hálózati csatlakozóját. Az áramütés és a tűzveszély elkerülése érdekében az üzembe helyezés során győződjön meg arról, hogy a készülék miatt nem sérül-e a hálózati tápkábel. A készüléket csak a megfelelő üzembe helyezést követően kapcsolja be.

⚠️ A készülék mozgatása közben ügyeljen a padló (pl. parketta) épségére. A készüléket olyan helyiségben helyezze el, ahol a padló vagy az emelvény elbírja a készülék súlyát, és amely megfelel a készülék méretének és rendeltetésének. Az üzembe helyezés során ügyeljen arra, hogy a készülék ne legyen hőforrás közelében, mind a négy lába stabilan álljon a padlón, és szükség esetén állítsa be azokat. Vízmérték segítségével ellenőrizze, hogy a készülék tökéletesen vízszintesen áll-e. A készülék bekapcsolása előtt várjon legalább két órát, hogy a hűtőrendszer tökéletes hatásfokkal működjön. A készülék üzembe helyezésékor betartandó méretek és távolságok az üzembehelyezési útmutatóban találhatók.

⚠️ FIGYELEM: A készülék elhelyezésékor ügyeljen arra, hogy a tápkábel ne szoruljon be és ne sérüljön meg.

⚠️ FIGYELEM: Az instabilitásból, rossz elhelyezésből vagy hibás beszerelésből származó veszélyek elkerülése érdekében a készülék beüzemelését és javítását a gyártó utasításaival összhangban kell elvégezni.

Tilos a hűtőt úgy elhelyezni, hogy a készülék hátához (a hűtőcsövekhez) a gáztűzhely fémcsöve, fém gázcső, vízvezetékcső vagy elektromos vezetékek érjenek hozzá.

ELEKTROMOS ÁRAMMAL KAPCSOLATOS FIGYELMEZTETÉSEK


⚠️ Biztosítani kell, hogy a készüléket le lehessen választani az elektromos hálózatról a csatlakozó kihúzásával vagy a vezetékezési szabályoknak megfelelően az aljzat és a készülék közé szerelt többpólusú megszakítóval. A készüléket az adott országban érvényes elektromos biztonsági előírásoknak megfelelően földelni kell.


⚠️ Ne használjon hosszabbítót, többcsatlakozós dugaljat vagy adaptert. Beszerelés után az elektromos alkatrészeknek hozzáférhetetlennek kell lenniük a felhasználó számára. Ne használja a készüléket meztőláb, és ne nyúljon hozzá nedves kézzel. Ne használja a készüléket, ha a tápkábel vagy a csatlakozódugó sérült, illetve ha a készülék nem működik megfelelően, megsérült vagy leejtették.

⚠️ Ha a hálózati kábel megsérül, az áramütés kockázatának elkerülése érdekében azt a gyártóval, annak szervizképviselőjével vagy egy hasonlóan képzett szakemberrel kell ugyanolyan kábelre kicseréltetni.


⚠️ FIGYELEM: Ne helyezzen elosztókat és hordozható tápellátást a készülék hátához.

TISZTÍTÁS ÉS KARBANTARTÁS

 **FIGYELEM:** Bármilyen karbantartási művelet előtt győződjön meg arról, hogy a készüléket kikapcsolta és kihúzta a konnektorból; Az áramütés elkerülése érdekében soha ne használjon gőznyomással működő tisztítókészüléket.

 Ne használjon maró hatású vagy erős tisztítószeret, például ablaktisztítót, súrolószert, gyúlékony folyadékot, ápolóviaszt, tisztítószer-koncentrátumot, fehérítőt vagy kőolajszármazékot tartalmazó tisztítószert a készülék műanyag és belső részein, illetve az ajtó tömítésein. Ne használjon papírtörítőt, dörzsszivacsot vagy más durva tisztítóeszközt.

A CSOMAGOLÓANYAGOK HULLADÉKKEZELÉSE

A csomagolóanyag 100%-ban újrahasznosítható, és el van látva az újrahasznosítás jelével .

A csomagolás egyes részeinek hulladékkezelését megfelelően, a hulladékok ártalmatlanítására vonatkozó helyi rendelkezések szerint kell elvégezni.

HÁZTARTÁSI GÉPEK HULLADÉKKÉNT TÖRTÉNŐ ELHELYEZÉSE


Ez a készülék újrahasznosítható vagy újrafelhasználható anyagok felhasználásával készült.

Leselejtezesekor a helyi hulladék-elhelyezési szabályokkal összhangban járjon el. Az elektromos háztartási készülékek kezelésére, hasznosítására és újrafeldolgozására vonatkozó további információkért forduljon az illetékes helyi hatósághoz, a háztartási hulladékok begyűjtését végző vállalatához vagy az üzlethez, ahol a készüléket vásárolta. Ez a készülék az elektromos és elektronikus berendezések hulladékairól szóló 2012/19/EU irányelv szerinti jelölésekkel rendelkezik.

A hulladékká vált termék szabályszerű

elhelyezésével Ön segít elkerülni a környezettel és az emberi egészséggel kapcsolatos negatív következményeket.

A terméken vagy a kísérő dokumentációban

lévő  szimbólum azt jelzi, hogy ezt a terméket nem szabad háztartási hulladékként kezelni, hanem el kell szállítani az elektromos és elektronikus berendezések újrahasznosítását végző megfelelő gyűjtőpontra.

ENERGIATAKARÉKOSÁGI TANÁCSOK

A megfelelő szellőzés biztosítása érdekében kövesse a beszerelési utasításokat.

Ha a készülék hátoldalánál nem megfelelő a szellőzés, nő az energiafogyasztás, és csökken a hűtési hatékonyság.

A gyakori ajtónyitás az energiafogyasztás növekedéséhez vezethet.

A készülék belső hőmérsékletét és energiafogyasztását a külső hőmérséklet és a készülék helye is befolyásolhatja. A hőmérséklet beállításánál ezeket a tényezőket figyelembe kell venni. Minél kevesebbszer nyissa ki az ajtót.

Kiolvasztáskor tegye a fagyasztott élelmiszereket a hűtőtérbe. A fagyasztott élelmiszerek alacsony hőmérséklete lehűti a hűtőtérben lévő élelmiszereket.

Várja meg, amíg a meleg élelmiszerek és italok lehűlnek, mielőtt betenné őket a hűtőszekrénybe.

A hűtőszekrényben lévő polcok elrendezése nem befolyásolja a hatékony energiafelhasználást. Az élelmiszereket úgy kell elhelyezni a polcokon, hogy a levegőzés megfelelő legyen (ügyeljen arra, hogy az élelmiszerek ne érjenek egymáshoz, és tartson megfelelő távolságot az élelmiszerek, illetve a készülék hátlapja között).

A fagyasztott élelmiszerek tárolási kapacitásának növelése érdekében a kosarak és a jégtelenítő polc (ha van) eltávolíthatók.

A kompresszor által keltett zajok a normális működés részei.

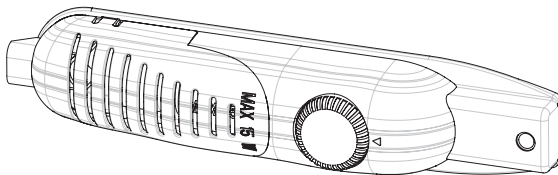


A terméken található „Gulf Conformity” jelölés jelzi, hogy a termék megfelel az alacsony feszültségű elektromos berendezésekre és készülékekre vonatkozó BD-142004-01 Öbölmenti műszaki szabályozás összes követelményének.

A KÉSZÜLÉK HASZNÁLATA

A hőmérséklet-szabályozó beállítása

- A hőmérséklet-szabályozó automatikusan szabályozza a hűtőtér és a fagyasztótér belső hőmérsékletét. A gomb fokozatos forgatásával (1–5) egyre alacsonyabb hőmérséklet érhető el.
- A „•” helyzet beállításakor a hőmérséklet-szabályozó ki van kapcsolva, így nincs hűtés.
- Ha rövid ideig kíván élelmiszert tárolni a fagyasztótérben, a gombot a minimális és közepes állás közötti tartományba (1–3) állítsa.
- Ha hosszú ideig kíván élelmiszert tárolni a fagyasztótérben, a gombot a közepes állásba (3-4) állítsa.

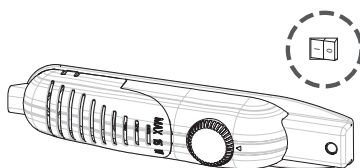


Megjegyzés: A környezeti hőmérséklet, a frissen behelyezett étel hőmérséklete és az ajtónyitás gyakorisága befolyásolja a hűtőtérben uralkodó hőmérsékletet. Ha szükséges, módosítsa a beállított hőmérsékletet.

- A készülék első bekapcsolásakor működtesse a készüléket folyamatosan 24 órán át, hogy az elérje a működési hőmérsékletet.
- Ez alatt az idő alatt a lehető legkevesebbszer nyissa ki az ajtót, és ne helyezzen nagy mennyiségű ételt a készülékbe.
- A készülék kikapcsolásakor vagy elektromos hálózatról történő leválasztásakor várjon legalább 5 percet, mielőtt újra bekapcsolná vagy az elektromos hálózathoz csatlakoztatná azt. Így elkerülhető a kompresszor károsodása.
- A hűtő fagyasztója legfeljebb -18 °C-ra hűthető.
- A készüléket a 16–32 °C-os környezetihőmérséklet-tartományban történő használatra tervezték.

Super kapcsoló (ha elérhető)

- Normál esetben a kapcsoló legyen „0” állásban. Kivéve, ha a környezeti hőmérséklet alacsony, például a téli időszakban. (16 °C alatt), vagy ha a fagyasztóban alacsonyabb hőmérsékletre van szükség. Ilyen esetben forgassa a kapcsolót bekapcsolt helyzetbe („1” állás).
- A hőmérséklet-szabályozó dobozon található Super kapcsoló bekapcsolásához nyomja le a kapcsolót az „1” helyzetbe. A kapcsoló világítani kezd.
- Ha a fagyasztótér már megfelelő hőmérsékletű, vagy melegszik az idő, állítsa a Super kapcsolót kikapcsolt helyzetbe, így csökkenthető az energiafogyasztás.
- A megfelelő hűtés érdekében a készülék első bekapcsolásakor a készüléknek 24 órán keresztül kell mennie folyamatosan, hogy elérje a szükséges hőmérsékletet.
- Ez alatt az idő alatt ne nyissa ki túl gyakran a készülék ajtaját, és ne helyezzen be sok élelmiszert.



A készülék kikapcsolásakor vagy elektromos hálózatról történő leválasztásakor várjon legalább 5 percet, mielőtt újra bekapcsolná vagy az elektromos hálózathoz csatlakoztatná azt – így elkerülhető a kompresszor károsodása.

Gyorsfagyasztás: Ha a környezeti hőmérséklet meghaladja a 16 °C-ot, ez a kapcsoló gyorsfagyasztó kapcsolóként használandó. A maximális fagyasztási kapacitáshoz a kapcsolót az élelmiszerek behelyezése előtt 24 órával kell bekapcsolt helyzetbe állítani. Az élelmiszerek

behelyezését követően általában elegendő azt 24 órán át bekapcsolt helyzetben hagyni. Az energiamegtakarítás érdekében a friss élelmiszerek behelyezése után 24 órával állítsa kikapcsolt helyzetbe a kapcsolót.

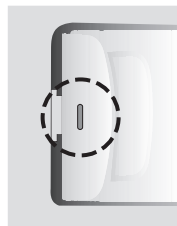
A hőmérséklet beállításával kapcsolatos figyelmeztetések

- A környezeti hőmérséklet, a frissen behelyezett étel hőmérséklete és az ajtónyitás gyakorisága befolyásolja a hűtőtérben uralkodó hőmérsékletet. Ha szükséges, módosítsa a beállított hőmérsékletet.
- Hatékonyság szempontjából a hűtőt nem ajánlott 10 °C-nál alacsonyabb hőmérsékletű környezetben használni.
- A hőmérséklet-szabályozó beállításakor figyelembe kell venni, milyen gyakran nyitja ki a friss élelmiszer tárolására szolgáló tér és a fagyasztótér ajtaját, mennyi élelmiszert tárol a hűtőben, és milyen környezetben található a hűtő.
- A hűtőszekrénynek a csatlakoztatás után 24 órán át megszakítás nélkül a környezeti hőmérsékleten kell működnie ahhoz, hogy teljesen lehűljön. Ez idő alatt ne nyitogassa gyakran a hűtőszekrény ajtaját, és ne helyezzen bele sok élelmiszert.
- A hűtőszekrény 5 perces késleltetési funkcióval van ellátva, amelynek célja, hogy megelőzze a kompresszor károsodását a csatlakozódugó használat közbeni kihúzásakor, majd újbóli csatlakoztatásakor, vagy áramszünet esetén. A hűtőszekrény 5 perc után kezd meg a normál működést.
- A hűtőszekrény kialakításának köszönhetően környezeti hőmérsékleten a szabványokban előírt módon, a tájékoztató címkén megadott klímaosztálynak megfelelően működik. A hűtési hatékonyság szempontjából a hűtőt nem javasolt a jelzett hőmérsékleti tartományon kívül eső hőmérsékletű környezetben működtetni.
- A készüléket a 16–32 °C-os környezetihőmérséklet-tartományban történő használatra tervezték.

Tartozékok

„Ajtó nyitva” jelzőfény:

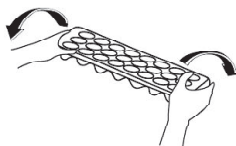
- A fogantyún lévő „Ajtó nyitva” jelzőfény jelzi, hogy az ajtó megfelelően csukva vagy még nyitva van-e.
- Ha a jelzőfény pirosan világít, az ajtó még nyitva van.
- Ha a jelzőfény fehéren világít, az ajtó megfelelően csukva van.
- Ügyeljen, hogy a fagyasztó ajtaja mindig csukva legyen. Így kerülhető el az élelmiszerek kiolvadása; az, hogy vastag jég képződjön a fagyasztó belsejében, továbbá a felesleges energiafogyasztás.



Jégkocka készítése:

jégkockatartó:

- Öntsön vizet a jégkockatartóba, majd helyezze azt a fagyasztótérbe.
- Miután a víz teljesen megfagyott, a jégkockák kivételéhez a tartót a lenti ábra szerint kell meghajlítani.



ÉLELMISZER TÁROLÁSA A KÉSZÜLÉKBEN

Hűtőtér

A hűtőtér friss élelmiszerek néhány napig történő tárolására szolgál.

- Az élelmiszert úgy helyezze be, hogy az ne érjen hozzá a hűtőtér hátsó falához. Hagyjon szabad helyet az élelmiszerek körül a levegő megfelelő áramlása érdekében.
- Ne helyezzen forró ételt vagy gőzölgő folyadékot a hűtőbe.
- Mielőtt a hűtőbe helyezné az élelmiszert, csomagolja be vagy tegye azt zárt edénybe.
- A páratartalom csökkentése és a jegesedés megelőzése érdekében ne helyezzen nyitott edényben lévő folyadékot a hűtőszekrénybe.
- Javasoljuk, hogy a húst lazán csomagolja be, és közvetlenül a zöldséges rekesz fölötti üvegpolcra helyezze.
- A zöldségeket és gyümölcsöket szellősen helyezze be a frissen tartó rekeszekbe.
- Annak érdekében, hogy a hideg levegő ne jusson ki, ügyeljen, hogy ne nyissa ki túl sokszor az ajtót, illetve ne hagyja azt hosszú ideig nyitva.

Fagyasztótér

A fagyasztótér friss élelmiszerek fagyasztására, a fagyasztott élelmiszerek csomagoláson jelzett ideig történő tárolására, valamint jégkockakészítésre szolgál.

- Friss élelmiszer fagyasztásakor megfelelően csomagolja be és zárja le azt. Ez azt jelenti, hogy a csomagolás légmentesen zárt, nincs rajta nyílás. A speciális fagyasztótasakok, az alufólia (vastagabb változat – kétség esetén csomagolja dupla rétegben), a műanyag zacskók és a műanyag edények ideálisak erre a célra.
- Ügyeljen, hogy a friss étel ne érjen hozzá a már fagyasztott élelmiszerekhez.
- Minden esetben jegyezze fel a csomagolásra a dátumot és a csomag tartalmát, és ne lépje túl a jelzett eltarthatósági időt.
- Áramkimaradás vagy hibás működés esetén a fagyasztótér megfelelően alacsony hőmérsékletet biztosít az élelmiszerek tárolásához. Azonban arra ügyelni kell, hogy ne nyissuk ki a fagyasztó ajtaját, így lassítható a hőmérséklet növekedése a fagyasztótérben.
- A 24 órán belül a fagyasztóba helyezhető friss élelmiszer mennyisége az adattáblán található (lásd a fagyasztási kapacitást).
- Soha ne helyezzen meleg ételt a fagyasztótérbe.
- Fagyasztott élelmiszer vásárlásakor és tárolásakor ellenőrizze, hogy a csomagolás nem sérült-e.
- Az eltarthatóság és a fagyasztott élelmiszer tárolásához javasolt hőmérséklet a csomagoláson található. A tároláshoz és felhasználáshoz kövesse a gyártó utasításait. Ha nincs feltüntetve az erre vonatkozó információ, az élelmiszer legfeljebb 3 hónapig tárolható.
- A vásárlást követően a lehető leghamarabb tegye a fagyasztott élelmiszert a fagyasztótérbe.
- A kiolvadt étel nem fagyasztható újra. A lehető leghamarabb el kell készíteni. Ezután fogyasztható vagy ismét lefagyasztható.

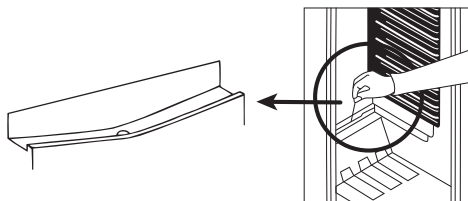
TISZTÍTÁS ÉS KARBANTARTÁS

- Tisztítás előtt válassza le a készüléket az elektromos hálózatról.
- Ne öntsön vizet a hűtő fagyasztójába annak tisztításához.
- Ügyeljen, hogy ne jusson víz a lámpa burkolatába és a többi elektromos alkatrészbe.
- A hűtőt rendszeresen tisztítani kell szódabikarbónás langyos vízzel.
- A tartozékokat külön tisztítsa meg mosószeres vízzel. A tartozékok mosogatógépben nem moshatók.
- Ne használjon súroló hatású termékeket, tisztítószeret, mosószereket. Tisztítás után öblítse le tiszta vízzel, és gondosan szárítsa meg. Ha végzett a tisztítással, száraz kézzel csatlakoztassa újra a készüléket az elektromos hálózathoz.
- A kondenzátort legalább évente kétszer tisztítsa meg egy seprű segítségével. Így energiát takaríthat meg, és növelheti a hatékonyságot.

VÁLASSZA LE A KÉSZÜLÉKET AZ ELEKTROMOS HÁLÓZATRÓL.

A hűtőtér leolvasztása:

- A hűtőtér jégtelenítése automatikusan történik a működés közben. A leolvadt víz a párologtató tálcába kerül, ahol automatikusan elpárolog.
- A párologtató tálcát és a vízleeresztő nyílást rendszeresen meg kell tisztítani a leeresztőszelep segítségével, így elkerülhető, hogy a víz a hűtő alján gyűljön össze ahelyett, hogy kifolyna.
- Önthet fél pohár vizet is a leeresztőnyílásba a belső részek megtisztításához.



A fagyasztótér leolvasztása:

FIGYELEM: Ehhez a művelethez ne használjon éles fémeszközöket (kivéve, ha a gyártó ezt javasolja), mivel azok károsíthatják a hűtőkört.

Egy idő után a fagyasztótér bizonyos részein jég képződik. A fagyasztótérben képződött jeget rendszeresen el kell távolítani (használja a műanyag kaparót, ha van).

A fagyasztó hatékonyságának megőrzése érdekében teljes leolvasztás akkor szükséges, ha a jégréteg 3-5 mm-nél vastagabb.

- A leolvasztás előtti napon állítsa a hőmérséklet-szabályozó tárcsát az „5” állásba az élelmiszerek teljes fagyasztásához.
- A leolvasztás alatt a fagyasztott élelmiszereket több réteg papírba kell csomagolni, és hűvös helyen kell tárolni. Az elkerülhetetlen hőmérséklet-emelkedés miatt csökken az eltarthatósági idejük. Ezeket az élelmiszereket viszonylag rövid időn belül fel kell használni.
- Állítsa a hőmérséklet-szabályozót a „•” helyzetbe, és kapcsolja ki a készüléket.
- A gyorsabb leolvasztás érdekében hagyja nyitva az ajtót. Távolítsa el a leolvadt vizet a hűtőtérből.
- Tisztítsa meg a készülék belsejét enyhén tisztítószere, langyos vízzel.

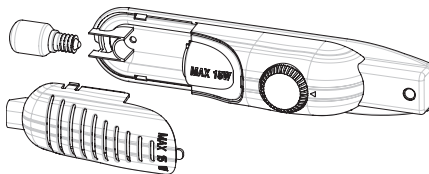
Ne használjon súroló hatású terméket vagy erőteljes hatású tisztítószer.

- Szárítsa meg a készülék belsejét, csatlakoztassa a készüléket az elektromos hálózatra, és állítsa a hőmérséklet-szabályozó gombot az „5” állásba. 24 óra elteltével állítsa vissza a hőmérséklet-szabályozót a kívánt helyzetbe.

Izzócsere

A hűtő izzójának cseréjéhez:

1. Válassza le a készüléket az elektromos hálózatról.
2. Nyomja be az izzó burkolatának tetején lévő kampókat, és vegye le a burkolatot.
3. Cserélje a régi izzót új, legfeljebb 15 W-os izzóra.
4. Helyezze vissza a burkolatot, várjon 5 percet, majd csatlakoztassa a készüléket az elektromos hálózathoz.



A LED-es világítás cseréje

Ha a hűtőszekrény LED-es világítással rendelkezik, akkor forduljon a vevőszolgálathoz, ugyanis a cserét csak felhatalmazott szakember végezheti.

SZÁLLÍTÁS ÉS AZ ELHELYEZÉS MEGVÁLTOZTATÁSA

Szállítás és az elhelyezés megváltoztatása

- Az eredeti csomagolás és a habosított polisztirol (EPS) megőrizhető.
- Szállításkor a készüléket széles hevederrel vagy erős kötéllel rögzíteni kell. Szállításkor követni kell a kartondobozon jelzett utasításokat.
- Szállítás vagy a telepítés helyének módosítása előtt minden rögzítés nélküli tárgyat (pl. polc, rekesz stb.) ki kell venni a készülékből, vagy rögzíteni kell azokat ragasztószalaggal a károsodások elkerülése érdekében.

MIELŐTT A VEVŐSZOLGÁLATOT HÍVJA

Ha a hűtő nem működik megfelelően, lehetséges, hogy kisebb hibáról van szó, ezért ellenőrizze a következőket.

A készülék nem működik:

Ellenőrizze a következőket:

- Áramkimaradás van.
- Nincs megfelelően csatlakoztatva a hálózati csatlakozó, vagy ki van lazulva.
- A hőmérséklet-szabályozó a „*” helyzetben van.
- Az aljzat hibás. Ennek ellenőrzéséhez csatlakoztasson egy másik, biztosan működő készüléket a csatlakozóba.

A készülék nem megfelelően működik:

Ellenőrizze a következőket:

- Túlterhelte a készüléket.
- Az ajtók nincsenek megfelelően csukva.
- Nincs kellő számú szellőzőcső a konyhaszekrényben (lásd a telepítési útmutatót).

Zaj esetén:

A hűtőkörben keringő hűtőgáz okozhat enyhe zajt (zubogó hang) még akkor is, ha a kompresszor éppen nem működik. Ne aggódjon, ez normális jelenség. Ha eltérő hangot hall,

ellenőrizze a következőket:

- A készülék kellően szilárdan áll (lásd a telepítési útmutatót).
- A készülékre helyezett tárgyak rezegnek.

Ha a hűtő alján víz található:

Ellenőrizze a következőket:

- A vízleeresztő nyílás nincs eldugulva (a leeresztőnyílás a leeresztőszeleppel tisztítható meg).
- Ha a hűtő nem hűt megfelelően:
- A hűtőt úgy tervezték, hogy a szabványokban meghatározott környezeti hőmérsékleti tartományokban, a tájékoztató címkén megadott klímaosztálynak megfelelően működjön. Javasoljuk, hogy ne működtesse a hűtőt a jelzett hőmérsékleti értékhatárokon kívül eső hőmérsékleten. Ekkor ugyanis csökken a hűtő hűtési hatékonysága.

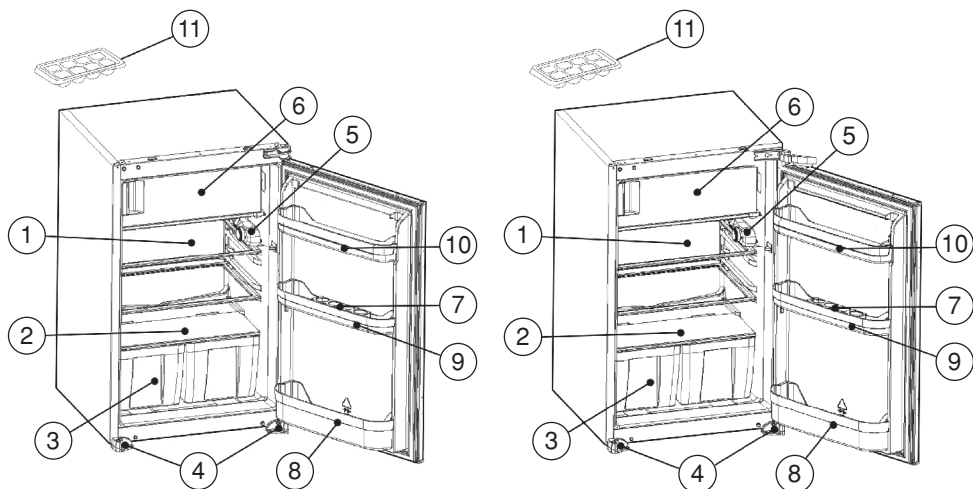
Javaslatok

- Áramkimaradás esetén húzza ki a hűtő csatlakozóját, így elkerülhető a kompresszor esetleges károsodása. Ha ismét van áramellátás, a készülék újracsatlakoztatása előtt várjon 5-10 percet.
- Ha valamilyen okból kihúzza a hűtő csatlakozóját, várjon legalább 5 percet, mielőtt újra csatlakoztatná azt. Így elkerülhető a hűtő alkatrészeinek károsodása.
- A hűtő hűtőegysége a készülék hátulján, nem látható helyen található. Ezért vízcsepp vagy jég jelenhet meg a hűtő hátuljánál az adott időközönként bekapcsoló kompresszor működésének következtében. Ez normális jelenség, és ha nem túlzott mennyiségű jégről van szó, leolvasztásra nincs szükség.
- Ha előreláthatólag hosszabb ideig nem fogja használni a hűtőt (pl. nyaralás miatt), állítsa a hőmérséklet-szabályozót a „*” helyzetbe. Leolvasztás után tisztítsa meg a hűtőt, valamint a párá sodás és a kellemetlen szagok képződésének elkerülése érdekében hagyja nyitva annak ajtaját.
- Ha a probléma a fenti utasítások végrehajtása után is fennáll, forduljon a legközelebbi hivatalos szervizközpontoz.
- Az Ön által vásárolt készüléket háztartási használatra tervezték, és kizárólag a megadott célra használható. Kereskedelmi célú felhasználásra nem alkalmas. Felhívjuk a figyelmet arra, hogy amennyiben a fogyasztó a fentiekől eltérően használja a készüléket, akkor a gyártó és a forgalmazó a garanciális időszakon belül sem vállal felelősséget a javításért és a meghibásodásokért.

Energiatakarékossági ötletek

1. A készüléket hűvös, jól szellőző helyiségben, közvetlen napsugárzástól védett, hőforrásoktól (radiátor, tűzhely stb.) távoli helyen helyezze el. Ellenkező esetben használjon szigetelőlapot.
2. A hűtőbe helyezés előtt várja meg, amíg a meleg élelmiszerek és italok lehűlnek.
3. Kiolvasztáskor a fagyasztott élelmiszereket tegye a hűtőtérbe. Kiolvasztás közben a fagyasztott élelmiszerek alacsony hőmérséklete hozzájárul a hűtőtér hűtéséhez. Így energiát takaríthat meg. Ha nem a készülékben olvasztja ki a fagyasztott ételt, azzal energiát pazarol.
4. A készülékbe helyezett italokat és egyéb folyadékokat takarja le. Ellenkező esetben nőni fog a páratartalom a készülékben. Így a készülék hosszabb ideig fog működni. Az italok és folyadékok lefedésével az illatok és az ízek is jobban megőrizhetők.
5. Ügyeljen, hogy az ajtók ne legyenek nyitva hosszabb ideig és túl gyakran, mivel ilyenkor a meleg levegő bejut a készülékbe, és a kompresszornak indokolatlanul gyakran kell bekapcsolnia.
6. Tartsa csukott helyzetben a különböző hőmérsékletű rekeszek (frissen tartó, sokkoló stb.) fedeleit.
7. Az ajtó tömítésének tisztának és hajlékonynak kell lennie. Az elhasználdott tömítést cserélje ki.

A KÉSZÜLÉK, A HŰTŐ- ÉS A FAGYASZTÓTÉR RÉSZEI



A készülék részeinek alábbi felsorolása tájékoztató jellegű.
Az alkatrészek a mindenkori készüléktípustól függően változhatnak.

- | | |
|--|---------------------|
| 1. HŰTŐPOLC | 6. FAGYASZTÓTÉR |
| 2. FRISSEN TARTÓ FIÓK FEDELE (BIZTONSÁGI ÜVEG) | 7. TOJÁSTARTÓ POLC |
| 3. FRISSEN TARTÓ FIÓK | 8. PALACKTARTÓ POLC |
| 4. BAL ÉS JOBB LÁBAK | 9. KÖZÉPSŐ POLC |
| 5. HŐMÉRSÉKLET-SZABÁLYOZÓ DOBOZ | 10. VAJTARTÓ POLC |
| | 11. JÉGKOCKATARTÓ |

SIGURNOSNE UPUTE

OBAVEZNO pročitajte i pridržavajte se

Prije upotrebe uređaja pročitajte ove sigurnosne upute. Sačuvajte ih za buduću referencu.

Ovaj priručnik i sam uređaj sadrže važna sigurnosna upozorenja kojih se morate stalno pridržavati. Proizvođač otklanja svaku odgovornost u slučaju nepoštivanja sigurnosnih uputa, za neprikladno korištenje ili za pogrešno podešavanje komandi.

⚠ Vrlo maloj djeci (0 – 3 godina) ne dopuštajte pristup uređaju. Maloj djeci (3 – 8 godina) ne dopuštajte pristup uređaju ako nisu pod nadzorom. Djeca starija od 8 godina i osobe smanjenih fizičkih, osjetilnih i mentalnih sposobnosti ili osobe bez dovoljnog iskustva i znanja mogu koristiti uređaj samo ako su pod nadzorom ili su dobili upute o sigurnom rukovanju uređajem te ako razumiju potencijalne opasnosti. Djeca se ne smiju igrati s uređajem. Djeca ne smiju čistiti niti održavati uređaj bez nadzora.

DOZVOLJENI RASPON UPOTREBE

⚠ **OPREZ:** Uređaj nije namijenjen za rad pomoću vanjskog uređaja za uključivanje kao što je mjerač vremena ili odvojeni sustav daljinskog upravljanja.

⚠ Ovaj uređaj namijenjen je upotrebi u kućanstvima i na sličnim mjestima, kao što su: kuhinje za osoblje u trgovinama, uredi i druge objekti u kojima se radi; seoske kuće; za goste u hotelima, motelima ili sličnim smještajnim jedinicama.

⚠ Ovaj uređaj nije namijenjen za profesionalnu upotrebu. Nemojte koristiti ovaj uređaj na otvorenom prostoru.

⚠ Žarulja koja se nalazi u uređaju posebno je namijenjena za kućanske uređaje i nije prikladna za rasvjetu u kućanstvu (Uredba EZ 244/2009).

⚠ Predviđeno je da uređaj radi na mjestima s temperaturom unutar raspona navedenog u nastavku, prema klimatskom razredu označenom na nazivnoj pločici. Uređaj možda neće ispravno raditi ako ga ostavite duže vrijeme na temperaturi izvan navedenog raspona.

Klimatski razred – Temperatura okoline (°C)

SN: Od 10 do 32 °C

ST: Od 16 do 38 °C,

N: Od 16 do 32 °C

T: Od 16 do 43 °C



Ovaj kućanski aparat ne sadrži kloroflorougljike (CFC). Sustav hlađenja sadrži R600a (HC). Uređaji s izobutanom (R600a): izobutan je prirodni plin koji ne utječe negativno na okoliš, ali je zapaljiv.

Zbog toga provjerite da cijevi rashladnog sustava nisu oštećene posebice prilikom pražnjenja sustava.

⚠ **UPOZORENJE:** Nemojte oštetiti cijevi rashladnog sustava uređaja.

⚠ **UPOZORENJE:** Pazite da nema zapreka na ventilacijskom otvoru na kućištu uređaja ili ugradbenom elementu.

⚠ **UPOZORENJE:** Ne upotrebljavajte mehanička, električna ili kemijska sredstva za ubrzavanje postupka odleđivanja, osim onih koje preporučuje proizvođač.

⚠ **UPOZORENJE:** Ne upotrebljavajte električne uređaje i ne stavljajte ih u odjeljke uređaja osim ako ih proizvođač nije izričito dozvolio.

⚠ **UPOZORENJE:** ledomati i/ili uređaji za vodu koji nisu izravno spojeni na dovod vode moraju se puniti samo pitkom vodom.

⚠ Eksplozivne tvari kao što su spremnici raspršivača ne pohranjujte i ne upotrebljavajte benzin ili druge zapaljive tvari u uređaju ili u njegovoj blizini.

⚠ Ne gutajte sadržaj (nije otrovan) vrećica za led (isporučuje se s određenim modelima). Ne jedite kocke leda ili ledene lizalice odmah nakon vađenja iz zamrzivača jer mogu izazvati smrzotine.

⚠ Na proizvodima napravljenima tako da upotrebljavaju filter za zrak unutar dostupnog poklopca ventilatora filter uvijek mora biti u položaju za rad kada hladnjak radi.

⚠ Staklene spremnike s tekućinom ne stavljajte u zamrzivač jer se mogu razbiti.

Ventilator (ako je uređaj opremljen) ne zaklanjajte namirnicama. Nakon stavljanja hrane, provjerite zatvaraju li se vrata odjeljaka ispravno, posebice vrata zamrzivača.

⚠ Oštećene brtve potrebno je što prije zamijeniti.

⚠ Odjeljak hladnjaka upotrebljavajte samo za čuvanje svježih hrane, a odjeljak zamrzivača samo za čuvanje zamrznute hrane, zamrzavanje svježih hrane i izradu kocki leda.

⚠ Izbjegavajte čuvanje neomotane hrane u izravnom dodiru s unutarnjim površinama odjeljaka hladnjaka ili zamrzivača.

Uređaji mogu imati posebne odjeljke (odjeljak sa svježom hranom, kutija od nula stupnjeva...).

U slučaju da nije drugačije navedeno u knjižici proizvoda, oni se mogu ukloniti održavajući jednaku učinkovitost.



C-pentan koristi se kao raspršujuće sredstvo u izolacijskoj pjeni i spada u zapaljive plinove.

POSTAVLJANJE

⚠ Pri postavljanju, uređajem moraju rukovati dvije ili više osoba: opasnost od ozljeda. Za raspakiranje i postavljanje uređaja upotrijebite zaštitne rukavice: opasnost od porezotina.

⚠ Postavljanje, uključujući dovod vode (ako je uređaj opremljen) i električne priključke te popravke smije obavljati samo kvalificirani tehničar. Nemojte popravljati ni zamjenjivati bilo koji dio uređaja, osim ako to nije izričito navedeno u korisničkom priručniku. Djeci ne dozvoljavajte približavanje mjestu postavljanja. Nakon uklanjanja ambalaže s proizvoda, provjerite da tijekom transporta nije došlo do oštećenja. U slučaju problema obratite se distributeru ili najbližem postprodajnom servisu. Nakon postavljanja otpadni materijal pakiranja (plastiku, dijelove od stiropora itd.) odložite van dohvata djece: opasnost od gušenja. Uređaj se prije postavljanja mora isključiti iz napajanja: opasnost od električnog udara. Pazite da za vrijeme postavljanja uređaj ne ošteti električni kabel: opasnost od požara ili električnog udara. Uređaj uključite tek kada završi postupak postavljanja.

⚠ Pazite da ne oštetite pod (npr. parket) pri pomicanju uređaja. Postavite uređaj na pod ili podlogu dovoljno čvrstu da može podnijeti njegovu težinu te na mjestu prikladnom njegovoj veličini i načinu upotrebe. Prilikom postavljanja uređaja provjerite jesu li sve četiri nožice stabilne te da stoje na podu, podešavajući ih ako je potrebno, a zatim pomoću libele provjerite je li uređaj savršeno poravnat. Pričekajte najmanje dva sata prije nego što uključite uređaj da biste bili sigurni da je rashladni krug u punoj funkciji. Sve dimenzije i prostor potreban za postavljanje uređaja navedeni su u knjižici s uputama za postavljanje.

⚠ **UPOZORENJE:** Prilikom postavljanja uređaja pazite da kabel za napajanje nije zaglavljen ili oštećen.

⚠ **UPOZORENJE:** da bi se izbjegla opasnost zbog nestabilnosti, smještanje ili fiksiranje uređaja mora se obaviti u skladu s uputama proizvođača. Hladnjak je zabranjeno postaviti tako da metalna cijev plinskog štednjaka, metalne cijevi plina ili vode ili električnim kabeli dolaze u kontakt sa stražnjom stijenkom hladnjaka (zavojnica kondenzatora).

ELEKTRIČNA UPOZORENJA

⚠ Mora postojati mogućnost isključivanja uređaja iz struje uklonjenjem priključka ako je on dostupan ili to treba učiniti pomoću dostupne sklopke s više polova instalirane uz utičnicu u skladu s pravilima ožičenja i uređaj mora biti uzemljen u skladu s nacionalnim

sigurnosnim standardima za električnu struju.

⚠ Nemojte upotrebljavati produžne kabele, višestruke utičnice ili adaptere. Nakon postavljanja električni dijelovi ne smiju biti dostupni korisniku. Uređaj ne upotrebljavajte kada ste mokri ili bos. Uređaj ne upotrebljavate ako su njegov dovodni kabel ili utikač oštećeni, ako ne radi ispravno ili ako je oštećen ili je pao na tlo.

⚠ Ako je kabel za napajanje oštećen, istim ga mora zamijeniti proizvođač, ovlašteni serviser ili osobe sličnih kvalifikacija kako biste izbjegli opasne situacije: opasnost od strujnog udara.

⚠ **UPOZORENJE:** Višestruke prijenosne utičnice – izlaze ili prijenosna napajanja nemojte postavljati na stražnji dio uređaja.

ČIŠĆENJE I ODRŽAVANJE

⚠ **UPOZORENJE:** Provjerite je li uređaj isključen ili odspojen iz napajanja prije obavljanja bilo kojeg zahvata održavanja; nikada ne upotrebljavajte uređaje za čišćenje parom: opasnost od električnog udara.

⚠ Abrazivna ili oštra sredstva za čišćenje kao što su raspršivači za čišćenje stakla, sredstva za ribanje, zapaljive tekućine, voskove za čišćenje, koncentrirane deterdžente, izbjeljivače ili sredstva za čišćenje koja sadrže petrolej nemojte upotrebljavati na plastičnim dijelovima, unutarnjim vodilicama ili vodilicama vrata ni na brtvama. Ne upotrebljavajte papirnate ručnike, jastučice za ribanje ili oštra sredstva za čišćenje.

ODLAGANJE AMBALAŽNOG MATERIJALA

Ambalažni materijal može se u potpunosti reciklirati i označen je simbolom recikliranja



Različiti dijelovi ambalaže moraju se zbrinuti na odgovarajući način i u skladu s lokalnom zakonskim propisima za odlaganje otpada.

ODLAGANJE KUĆANSKIH UREĐAJA


Ovaj uređaj proizveden je od materijala koje se može reciklirati ili ponovno iskoristiti.

Odložite ga na otpad u skladu s lokalnim propisima o odlaganju otpada.

Radi detaljnijih informacija o postupanju, uporabi i recikliranju električnih kućanskih aparata, obratite se nadležnom mjesnom uredu, službi za skupljanje komunalnog otpada ili trgovini u kojoj ste uređaj kupili.

Ovaj uređaj je označen sukladno europskoj direktivi 2012/19/EU o električnom i elektroničkom otpadu (OEEO).

Osigurate li ispravno odlaganje tog proizvoda, pomoći ćete u sprječavanju mogućih negativnih posljedica za okoliš i zdravlje ljudi.

Simbol  na uređaju ili na popratnoj dokumentaciji označava da se ovaj proizvod ne smije odlagati kao nerazvrstani komunalni otpad, nego ga treba odnijeti na skupljalište za obradu električnog i elektroničkog otpada.

SAVJETI ZA UŠTEDU ENERGIJE

Kako bi se zajamčila odgovarajuća ventilacija slijedite upute za postavljanje.

Nezadovoljavajuća ventilacija na stražnjem dijelu proizvoda povećava potrošnju energije i smanjuje učinkovitost hlađenja.

Često otvaranje vrata može dovesti do veće potrošnje energije.

Na temperaturu u unutrašnjosti uređaja i potrošnju energije mogu utjecati temperatura okoline kao i položaj uređaja. Pri postavljanju temperature valja uzeti u obzir te čimbenike.

Otvaranje vrata smanjite na minimum.

Prilikom otapanja zamrznute hrane stavite je u hladnjak. Niska temperatura zamrznutih proizvoda hladi hranu u hladnjaku.

Topla jela i pića ostavite da se ohlade prije stavljanja u uređaj.

Položaj policu unutar hladnjaka ne utječe na učinkovitost upotrebe energije. Hrana bi se na police trebala stavljati na način koji osigurava pravilnu cirkulaciju zraka (hrana se ne bi smjela međusobno dodirivati, a trebao bi i postojati razmak između hrane i stražnje stjenke).

Kapacitet pohranjivanja zamrznute hrane možete povećati uklanjanjem košara te, ako je prisutna, police za sprječavanje nakupljanja leda.

Nemojte brinuti zbog buke koju stvara kompresor jer su to normalni zvukovi rada.

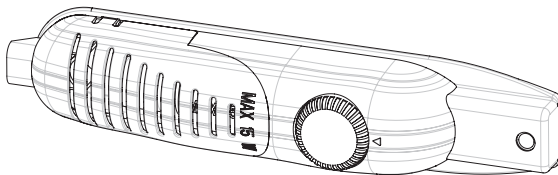


Označavanje sukladnosti Zaljeva na proizvodima označava da su zadovoljeni svi zahtjevi Tehničkog pravilnika Zaljeva za niskonaponsku električnu opremu i uređaje BD-142004-01.

NAČIN UPOTREBE UREĐAJA

Postavke termostata

- Termostat automatski regulira unutarnju temperaturu odjeljka hladnjaka i odjeljka zamrzivača. Okretanjem gumba iz položaja od 1 do 5 može se postići hladnija temperatura.
- Položaj „•“ pokazuje da je termostat zatvoren i da se hlađenje neće odvijati.
- Za kratkotrajno čuvanje hrane u odjeljku zamrzivača gumb možete postaviti između minimalnog i srednjeg položaja (1-3).
- Za dugotrajno čuvanje hrane u odjeljku zamrzivača gumb možete postaviti u srednji položaj (3-4).

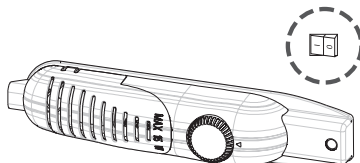


Obratite pažnju na sljedeće: Temperatura okoline, temperatura svježe pohranjenih namirnica i učestalost otvaranja vrata utječu na temperaturu u odjeljku hladnjaka. Promijenite postavku temperature prema potrebi.

- Prilikom prvog uključivanja uređaja ostavite uređaj da radi neprekidno 24 sata kako bi postigao radnu temperaturu.
- Tijekom tog vremena pokušajte ograničiti broj otvaranja vrata i nemojte čuvati veće količine hrane u uređaju.
- Ako se uređaj isključi ili iskopča, morate omogućiti barem 5 minuta prije ponovnog pokretanja uređaja ili njegovog priključivanja. Na taj način sprječavate oštećenje kompresora.
- Zamrzivač hladnjaka može hladiti do -18°C .
- Ovaj je uređaj namijenjen za upotrebu pri temperaturi okoline u rasponu od 16°C do 32°C .

Glavni prekidač (ako je glavni prekidač dostupan)

- Uobičajeno je da ga postavite u položaj '0'. Osim kada je temperatura okoline niska kao što je to zimi (tj. ispod 16°C) ili kada je potrebno održavati nižu temperaturu zamrzivača. U tom slučaju okrenite prekidač u uključeni položaj (ON) '1'.
- Da biste postavili glavni prekidač koji je na kućištu termostata u uključeni položaj (ON), pritisnite prekidač dolje u položaj '1'. Prekidač će se uključiti.
- Kada se odjeljak zamrzivača ohladi na dovoljnu temperaturu ili kada je vrijeme toplo, isključite glavni prekidač kako biste smanjili potrošnju struje.
- Prilikom prvog uključivanja uređaja, da biste pokrenuli prikladno hlađenje, uređaj mora raditi neprekidno 24 sata sve dok se ne ohladi na dovoljnu temperaturu.
- Tijekom tog vremena nemojte često otvarati vrata i stavljati mnogo namirnica u uređaj.



Ako se uređaj isključi ili iskopča, morate omogućiti barem 5 minuta prije ponovnog pokretanja ili ponovnog priključivanja uređaja kako ne biste oštetili kompresor.

Super zamrzavanje: Ako je temperatura okoline viša od 16°C , ovaj se prekidač mora upotrijebiti kao prekidač super zamrzavanja. Za maksimalnu mogućnost zamrzavanja prekidač mora biti uključen 24 prije stavljanja svježih namirnica. Nakon stavljanja hrane u zamrzivač, u pravilu je dovoljan rad od 24 sata u uključenom položaju ON. Radi uštede energije isključite ovaj prekidač 24 sata nakon stavljanja hrane.

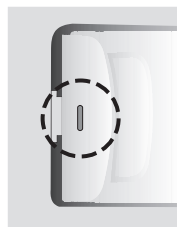
Upozorenja za postavke temperature

- Temperatura okoline, temperatura svježe pohranjenih namirnica i učestalost otvaranja vrata utječu na temperaturu u odjeljku hladnjaka. Promijenite postavku temperature prema potrebi.
- Ne preporučuje se rad hladnjaka u okolini hladnijoj od 10°C zbog učinkovitosti.
- Termostat se mora postaviti uzimajući u obzir učestalost otvaranja vrata hladnjaka i zamrzivača, količinu namirnica koje se čuvaju u hladnjaku i okolinu u kojoj je hladnjak smješten.
- Kako bi se potpuno ohladio, nakon priključivanja hladnjak mora neprekidno raditi do 24 sata ovisno o temperaturi okoline. Nemojte često otvarati vrata hladnjaka i u tom razdoblju nemojte stavljati mnogo namirnica u uređaj.
- Primjenjuje se odgoda u trajanju od 5 minuta kako bi se spriječilo oštećenje kompresora hladnjaka kada ga iskopčavate i zatim ponovno priključujete da bi radio ili ako dođe do nestanka energije. Hladnjak će početi normalno raditi nakon 5 minuta.
- Hladnjak je namijenjen radu u rasponu temperature okoline navedenom u standardima prema klimatskom razredu navedenom na naljepnici s informacijama. Ne preporučuje se rad hladnjaka u okolinama u kojima je temperatura izvan navedenih vrijednosti zbog učinkovitosti hlađenja.
- Ovaj je uređaj namijenjen za upotrebu pri temperaturi okoline u rasponu od 16°C do 32°C.

Dodatni pribor

Indikator „Otvorena vrata”;

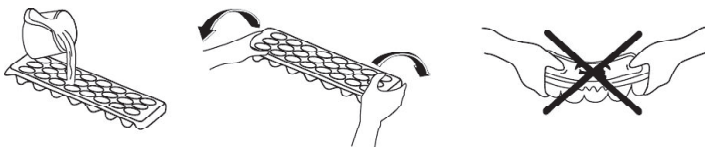
- Indikator « Otvorena vrata » na ručki pokazuje jesu li vrata pravilno zatvorena ili su još uvijek otvorena.
- Ako je indikator crveni, vrata su još otvorena.
- Ako je indikator bijeli, vrata su pravilno zatvorena.
- Vodite računa da vrata zamrzivača uvijek moraju biti zatvorena. Time ćete spriječiti odmrzavanje hrane i izbjeći stvaranje i nakupljanje leda u zamrzivaču te nepotrebno povećanje potrošnje energije.



Izrada kockica leda;

Ladica za led ;

- Napunite ladicu za led vodom i stavite je u odjeljak zamrzivača.
- Nakon što se sva voda pretvori u led, možete savinuti ladicu na način prikazan na donjoj slici kako biste izvadili kockice leda.



ČUVANJE HRANE U UREĐAJU

Odjeljak hladnjaka

Odjeljak hladnjaka upotrebljava se za čuvanje svježije hrane nekoliko dana.

- Hranu ne stavljajte u izravan dodir sa stražnjom stjenkom odjeljka hladnjaka. Ostavite malo prostora oko hrane kako biste omogućili kruženje zraka.
- Vruće namirnice ili tekućinu koja isparava ne stavljajte u hladnjak.
- Uvijek se pobrinite da je hrana omotana ili da se pohrani u zatvoreni spremnik prije stavljanja u hladnjak.
- Da biste smanjili vlagu i izbjegli stvaranje leda nikada nemojte u hladnjak stavljati tekućinu u nezatvorenim spremnicima.
- Preporučujemo da labavo omotate meso i čuvate ga na staklenoj polici odmah iznad košare za povrće gdje je zrak hladniji.
- Čuvajte voće i povrće u pretincima za održavanje svježine voća i povrća bez tiskanja.
- Kako bi se spriječio izlaz hladnog zraka, pokušajte ne otvarati učestalo vrata i nemojte ih duže držati otvorenima.

Odjeljak zamrzivača

Odjeljak zamrzivača upotrebljava se za zamrzavanje hrane i čuvanje zamrznute hrane u trajanju navedenom na pakiranju te za izradu kockica leda.

- Prilikom zamrzavanja hrane, omotajte je i pravilno zatvorite; odnosno pakiranja moraju biti nepropusna i iz njih ne smije curiti. Idealne su posebne vrećice za zamrzivače, aluminijska folija (s visokim opterećenjem, ako niste sigurni omotajte dvostruko), polietilenske vrećice i plastični spremnici.
- Nemojte dopustiti da svježija hrana dođe u dodir s već zamrznutom hranom.
- Uvijek navedite datum i sadržaj na pakiranju i nemojte prekoračiti navedeno vrijeme čuvanja.
- U slučaju nestanka struje ili neispravnosti, odjeljak zamrzivača održavat će dovoljno nisku temperaturu za čuvanje hrane. Ipak, izbjegavajte otvarati vrata zamrzivača kako biste usporili rast temperature u odjeljku zamrzivača.
- Maksimalna količina svježije hrane koja se može čuvati u zamrzivaču u roku od 24 sata navedena je na identifikacijskoj pločici (pogledajte Mogućnost zamrzavanja).
- U odjeljak zamrzivača nikada nemojte stavljati tople namirnice.
- Pri kupnji ili pohrani zamrznutih namirnica provjerite nije li pakiranje oštećeno.
- Vrijeme čuvanja i preporučena temperatura za čuvanje zamrznute hrane navedene su na pakiranju. Za čuvanje i upotrebu pridržavajte se uputa proizvođača. Ako informacije nisu navedene, hrana se ne smije čuvati dulje od 3 mjeseca.
- Stavite zamrznutu hranu u odjeljak zamrzivača što prije nakon njezine kupnje.
- Kada se hrana odmrzne, ne smije se ponovno zamrzavati. Morate je što prije skuhati kako biste je pojeli ili ponovno zamrznuli.

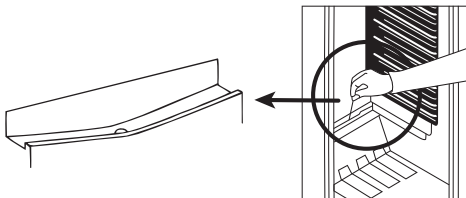
ČIŠĆENJE I ODRŽAVANJE

- Iskopčajte uređaj iz električnog napajanja prije čišćenja.
- Nemojte prati hladnjak - zamrzivač tako da ga zalijete vodom.
- Pobrinite se da u kućište svjetla i ostale električne sastavne dijelove ne uđe voda.
- Hladnjak morate povremeno očistiti otopinom sode bikarbone i mlake vode.
- Očistite dodatnu opremu odvojeno sapunom i vodom. Nemojte je prati u perilici posuđa.
- Ne upotrebljavajte abrazivne proizvode, deterdžente ili sapune. Nakon pranja, isperite čistom vodom i detaljno osušite. Kada završite s čišćenjem, suhim rukama ponovno ukopčajte utikač u strujnu utičnicu.
- Očistite kondenzator metlom namjanje dva puta godišnje. To će doprinijeti uštedi na troškovima energije i povećanju produktivnosti.

NAPAJANJE MORA BITI ISKOPČANO.

Odmrzavanje odjeljka hladnjaka:

- Odmrzavanje se obavlja automatski u odjeljku hladnjaka tijekom rada; voda koja nastaje odmrzavanjem sakuplja se u ladici za isparavanje i automatski isparava.
- Ladica za isparavanje i odvodni otvor za vodu koja nastaje odmrzavanjem moraju se povremeno očistiti pomoću čepa otvora za odvod vode koja nastaje odmrzavanjem kako bi se spriječilo sakupljanje vode na dnu hladnjaka umjesto njezine odvodnje.
- Također možete ulijati ½ čaše vode u odvodni otvor kako biste očistili unutrašnjost.



Odmrzavanje odjeljka zamrzivača:

UPOZORENJE: Za taj postupak nikada nemojte upotrebljavati oštar metalni alat osim ako to nije preporučio proizvođač jer takav alat može oštetiti sustav hlađenja.

Nakon određenog vremena led će se nakupiti u određenim područjima u odjeljku zamrzivača. Led, nakupljen u odjeljku zamrzivača, mora se povremeno ukloniti (upotrijebite plastični strugač ako je dostupan).

Potpuno odmrzavanje bit će nužno ako sloj leda prijeđe 3-5 mm da bi se zadržala učinkovitost zamrzivača.

- Dan prije odmrzavanja postavite birač termostata u položaj „5” kako biste u potpunosti zamrznuli hranu.
- Tijekom odmrzavanja, zamrznutu hranu morate omotati u nekoliko slojeva papira i čuvati je na hladnom mjestu. Neizbježno povećanje temperature skratit će njihov vijek trajanja. Zapamtite da upotrijebite tu hranu u relativno kratkom vremenskom razdoblju.
- Postavite gumb termostata u položaj „•” i isključite uređaj.
- Ostavite vrata otvorena kako biste ubrzali odmrzavanje. Uklonite vodu koja nastaje odmrzavanjem iz odjeljka.
- Očistite unutrašnjost ručno mlakom vodom i malom količinom deterdženta.

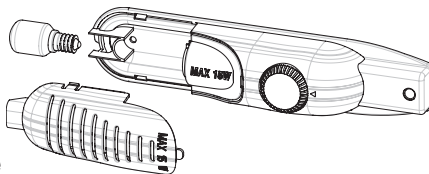
Nemojte nikada upotrebljavati abrazivne proizvode ili agresivna sredstva za čišćenje.

- Osušite unutrašnjost uređaja, priključite ga na električnu mrežu i postavite gumb termostata u položaj „5”. Nakon 24 sata vratite termostat u željeni položaj.

Zamjena žarulje

Prilikom zamjene žarulje hladnjaka:

1. Iskopčajte uređaj iz napajanja.
2. Pritisnite kukice na bočnim stranicama pokrova rasvjete i uklonite pokrov.
3. Zamijenite postojeću žarulju novom čija jakost ne prelazi 15 W.
4. Ponovno postavite pokrov i pričekajte 5 minuta prije nego ukopčate uređaj.



Zamjena LED svjetla

Ako vaš hladnjak ima LED svjetlo, obratite se službi za podršku kupcima jer LED svjetla moraju zamijeniti isključivo ovlaštteni serviseri.

PRIJEVOZ I PROMJENA POLOŽAJA POSTAVLJANJA

Prijevoz i promjena položaja postavljanja

- Ako je potrebno, možete zadržati originalnu ambalažu i stiropor (PS).
- Tijekom prijevoza uređaj mora biti pričvršćen pomoću široke trake ili jakog konopca. Morate se pridržavati uputa napisanih na kutiji od korugiranog kartona tijekom prijevoza.
- Prije prijevoza ili zamjene položaja postavljanja, svi pomični predmeti (tj. police, pretinac za održavanje svježine voća i povrća itd.) moraju se izvaditi ili fiksirati trakama kako bi se izbjeglo njihovo oštećivanje.

PRIJE NEGO ŠTO KONTAKTIRATE POSTPRODAJNI SERVIS

Ako hladnjak ne radi ispravno, može se raditi o manjem problemu te stoga provjerite sljedeće.

Uređaj ne radi.

Provjerite:

- je li nestalo struje.
- nije li utikač nepravilno ili labavo priključen.
- je li termostat postavljen u položaj „•“.
- nije li utičnica neispravna. Da biste obavili ovu provjeru, uključite drugi uređaj za koji znate da radi u istu utičnicu.

Rad uređaja je nezadovoljavajući.

Provjerite:

- niste li preopteretili uređaj.
- zatvaraju li se vrata ispravno.
- ima li dovoljno ventilacijskih odvoda u kuhinjskoj jedinici kao što je navedeno u priručniku za postavljanje.

Ako se čuje buka:

Rashladni plin koji kruži sustavom hlađenja može stvarati malu buku (zvuk žuborenja) čak i kad kompresor ne radi. Nemojte se brinuti, to je normalno. Ako čujete drugačiji zvuk,

provjerite:

- je li uređaj postavljen čvrsto kao što je opisano u priručniku o postavljanju.
- ne vibriraju li predmeti na uređaju.

Ako u donjem dijelu hladnjaka ima vode, provjerite:

- nije li začepljen odvodni otvor (upotrijebite čep za odvodnju vode koja nastaje odmrzavanjem kako biste očistili odvodni otvor).
- Ako hladnjak ne hladi dovoljno:
- Hladnjak je namijenjen radu u rasponu temperature okoline navedenom u standardima prema klimatskom razredu navedenom na naljepnici s informacijama. Ne preporučamo da hladnjak radi izvan navedenih vrijednosti temperature. Time će se smanjiti učinkovitost hlađenja hladnjaka.

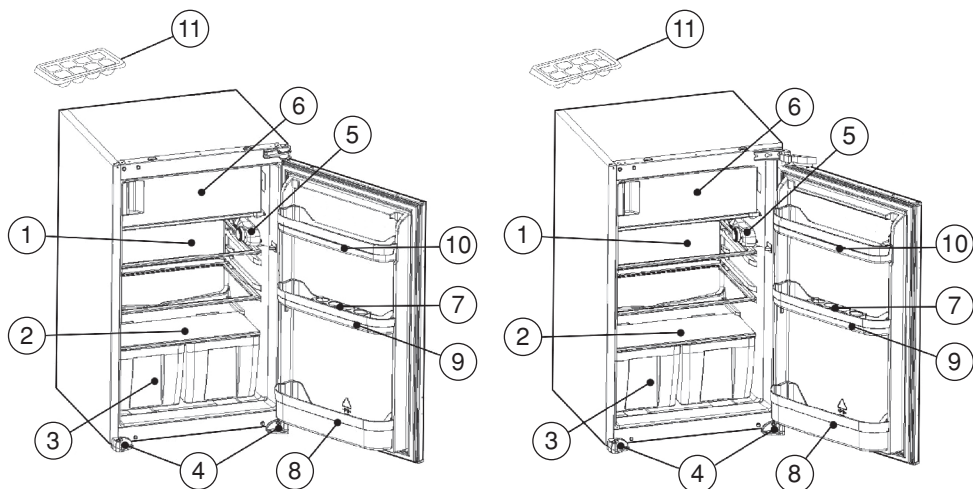
Preporuke

- Iskopčajte hladnjak iz struje tijekom nestanka struje kako biste spriječili oštećenje kompresora. Pričekajte 5-10 minuta prije nego što priključite uređaj nakon povratka struje.
- Ako hladnjak iskopčate iz struje iz bilo kojeg razloga, pričekajte namjanje 5 minuta prije nego što ga priključite. Time ćete izbjeći oštećenja sastavnih dijelova hladnjaka.
- Rashladna jedinica hladnjaka sakrivena je u stražnjem dijelu uređaja. Stoga se na stražnjoj površini hladnjaka mogu pojaviti kapljice vode ili led zbog rada kompresora u određenim intervalima. To je normalno te nema potrebe obavljati postupak odmrzavanja osim ako nema prekomjerne količine leda.
- Ako ne namjeravate upotrebljavati hladnjak dulje vrijeme (primjerice tijekom ljetnog godišnjeg odmora), postavite termostat u položaj „*“. Nakon odmrzavanja očistite hladnjak i ostavite vrata otvorena kako biste spriječili vlagu i miris.
- Ako se problem i dalje javlja nakon što ste postupili po uputama navedenima u gornjem tekstu, obratite se najbližem ovlaštenom servisnom centru.
- Uređaj koji ste kupili namijenjen je za upotrebu u domaćinstvu i može se upotrebljavati samo za navedenu upotrebu. Nije prikladan za komercijalnu upotrebu. Ako kupac upotrebljava uređaj na način koji nije sukladan s navedenim, naglašavamo da proizvođač i prodavač neće biti odgovorni za popravak ili kvar unutar jamstvenog roka.

Savjeti za uštedu energije

1. Postavite uređaj u hladnu prostoriju s dobrom ventilacijom, ali ne izravno na sunčevo svjetlo i ne u blizini izvora topline (radijatora, štednjaka itd.). U protivnom upotrijebite ploču za toplinsku izolaciju.
2. Prije stavljanja tople hrane i pića u uređaj, ostavite ih da se ohlade izvan uređaja.
3. Prilikom otapanja zamrznute hrane stavite je u hladnjak. Niska temperatura zamrznute hrane pomoći će ohladiti odjeljak hladnjaka kada se otapa. Time će doprinijeti uštedi energije. Ako se zamrznuta hrana ostavi vani, energija se bespotrebno troši.
4. Pokrijte pića i druge tekućine kada ih stavljate u uređaj. U protivnom u uređaju se povećava vlaga. Time se produžuje vrijeme rada. Pokrivanje pića i tekućina također omogućuje očuvanje mirisa i okusa.
5. Izbjegavajte držanje vrata predugo otvorenim ili prečesto otvaranje vrata jer će na taj način u ormar ući topli zrak i uzrokovati nepotrebno često uključivanje kompresora.
6. Držite pokrove odjeljaka različitih temperatura (pretinac za održavanje svježine voća i povrća, rashladni agregat itd.) zatvorene.
7. Brtva vrata mora biti čista i gipka. Zamijenite brtvu ako je istrošena.

DIJELOVI UREĐAJA I ODJELJCI



Ovo je samo informativni prikaz dijelova uređaja.
Dijelovi se mogu razlikovati prema modelu uređaja.

- | | |
|---|------------------------|
| 1. POLICA HLADNJAKA | 6. ODJELJAK ZAMRZIVAČA |
| 2. POKROV PRETINCA ZA ODRŽAVANJE SVJEŽINE VOĆA I POVRĆA (ZAŠTITNO STAKLO) | 7. POLICA ZA JAJA |
| 3. PRETINAC ZA ODRŽAVANJE SVJEŽINE VOĆA I POVRĆA | 8. POLICA ZA BOCE |
| 4. LIJEVA I DESNA NOŽICA | 9. SREDNJA REŠETKA |
| 5. KUĆIŠTE TERMOSTATA | 10. POLICA ZA MASLAC |
| | 11. LADICA ZA LED |

BEZPEČNOSTNÍ POKYNY

JE DŮLEŽITÉ, abyste si je přečetli a následně dodržovali.

Před použitím spotřebiče si přečtěte tento návod k použití. Uchovejte si jej pro pozdější použití.

V tomto návodu a na samotném spotřebiči jsou uvedena důležitá bezpečnostní upozornění, která je nutné si přečíst a řídit se jimi. Výrobce se zříká jakékoli odpovědnosti za nedodržení těchto bezpečnostních pokynů, nevhodné používání spotřebiče nebo nesprávné nastavení ovladačů.

⚠ Velmi malé děti (0–3 roky) by se neměly pohybovat v blízkosti spotřebiče. Malé děti (3–8 let) by se neměly ke spotřebiči přibližovat, pokud nejsou pod dozorem. Děti starší 8 let a osoby s fyzickým, smyslovým či duševním postižením nebo bez patřičných zkušeností a znalostí mohou tento spotřebič používat pouze pod dohledem nebo tehdy, pokud obdržely informace o bezpečném použití spotřebiče a rozumějí rizikům, která s jeho používáním souvisejí.

Nedovolte dětem, aby si se spotřebičem hrály. Nedovolte dětem, aby bez dohledu prováděly čištění a běžnou údržbu spotřebiče.

POVOLENÉ POUŽITÍ

⚠ **UPOZORNĚNÍ:** Tento spotřebič není určen k ovládání pomocí externího spínacího zařízení, jako je časovač, či samostatného systému dálkového ovládání.

⚠ Tento spotřebič je určen k použití v domácnostech a zařízeních, jako jsou: kuchyňské kouty pro zaměstnance v obchodech, kancelářích a na jiných pracovištích; statky; klienty hotelů, motelů, zařízení

typu „bed & breakfast“ a jiných rezidenčních prostředích.

⚠ Tento spotřebič není určen pro profesionální použití. Spotřebič nepoužívejte venku.

⚠ Žárovka použitá uvnitř spotřebiče je speciálně navržena pro domácí spotřebiče a není vhodná pro běžné osvětlení místnosti v domácnosti (nařízení ES 244/2009).

⚠ Spotřebič je určen k provozu v prostředí, ve kterém se teplota pohybuje v následujícím rozmezí v závislosti na klimatické třídě uvedené na výrobním štítku. Při dlouhodobém ponechání spotřebiče v nižší či vyšší teplotě nemusí spotřebič správně fungovat.

Klimatická třída, teplota prostředí. (°C)

SN:	10 až 32 °C
ST:	16 až 38 °C
N:	Od 16 do 32 °C
T:	Od 16 do 43 °C



Tento spotřebič neobsahuje CFC. Chladicí okruh obsahuje látku R600a (HC). Spotřebiče obsahující isobutan (R600a): isobutan je přírodní plyn bez škodlivých účinků na životní prostředí, který je nicméně hořlavý.

Je tedy třeba se přesvědčit, že nedošlo k poškození trubek chladicího okruhu, zvláště při vypouštění chladicí kapaliny.

⚠ **VAROVÁNÍ:** Nepoškozujte potrubí chladicího okruhu kapaliny.

⚠ **VAROVÁNÍ:** Větrací otvory v plášti spotřebiče nebo ve vestavěné konstrukci nesmí být zakryty.

⚠ **VAROVÁNÍ:** Neurychlujte odmrazování jinými mechanickými, elektrickými a chemickými postupy, než jaké doporučuje výrobce.

⚠ **VAROVÁNÍ:** Do oddílů spotřebiče neumísťujte ani v nich nepoužívejte elektrické přístroje, které nejsou výslovně schváleny výrobcem.

⚠ **VAROVÁNÍ:** Výrobníky ledu a dávkovače vody, které nejsou přímo připojeny k přívodu vody, musí být plněny pouze pitnou vodou.

⚠ Neumisťujte do zařízení nebo v jeho blízkosti výbušné látky, jako jsou např. plechovky s aerosoly, a neskladujte ani nemanipulujte zde s benzínem či jinými hořlavými materiály.

⚠ Je-li váš model vybaven chladicími vložkami, nepijte kapalinu, která je v nich obsažena (není toxická). Nejezte ledové kostky nebo ledová lízátka ihned po vyjmutí z mrazničky, mohly by vám způsobit omrzliny v ústech.

⚠ Je-li výrobek určen k použití se vzduchovým filtrem v přístupném krytu ventilátoru, musí být filtr vložen vždy, když je chladnička zapnutá.

⚠ Do mrazničky neumísťujte skleněné nádoby s tekutinami, protože by mohly prasknout. Nezakrývejte ventilátor (je-li jím spotřebič vybaven) potravinami. Po vložení potravin zkontrolujte, zda jste správně zavřeli dvířka, zejména pak dvířka mrazničky.

⚠ Poškozená těsnění je nutné co nejdříve vyměnit.

⚠ Chladicí oddíl používejte pouze k uchovávání čerstvých potravin a mrazicí oddíl pouze k uchovávání zmrazených potravin, zmrazování

čerstvých potravin a k výrobě ledových kostek.

⚠ Vyvarujte se skladování nezabalených potravin v přímém kontaktu s vnitřními povrchy chladničky nebo mrazničky. Spotřebiče mohou obsahovat speciální přihrádky (přihrádka na čerstvé potraviny, přihrádka s nulovou teplotou, ...).

Není-li v příručce ke konkrétnímu výrobku uvedeno jinak, tyto přihrádky je možné vyjmout, aniž by to mělo vliv na výkon spotřebiče.



Plyn cyklopentan se používá jako nadouvadlo v izolační pěně a je hořlavý.

INSTALACE

⚠ Stěhování a instalace spotřebiče vyžaduje minimálně dvě osoby – nebezpečí zranění. Při rozbalování a instalaci používejte ochranné rukavice – nebezpečí pořezání.

⚠ Instalaci, včetně připojení přívodu vody (pokud nějaký existuje) a elektřiny, a opravy musí provádět kvalifikovaný technik. Neopravujte ani nevyměňujte žádnou část spotřebiče, pokud to není výslovně uvedeno v návodu k použití. Nedovolte dětem, aby se přibližovaly k místu instalace. Po vybalení spotřebiče se přesvědčte, že nebyl při dopravě poškozen. V případě problémů se obraťte na prodejce nebo na nejbližší servisní středisko. Po instalaci musí být obalový materiál (plasty, polystyrenová pěna atd.) uložen mimo dosah dětí – nebezpečí udušení. Před zahájením instalace je nutné spotřebič odpojit od elektrické sítě – nebezpečí úrazu elektrickým proudem. Během instalace se ujistěte, že zařízení nepoškozuje

napájecí kabel – nebezpečí požáru a úrazu elektrickým proudem. Zařízení nezapínejte, dokud nebyla ukončena instalace.

⚠ Při přemísťování spotřebiče dejte pozor, abyste nepoškodili podlahy (např. parkety). Spotřebič umístěte na podlahu či podložku, která unese jeho hmotnost, na místo vhodné s ohledem na velikost a způsob použití spotřebiče. Přesvědčte se, že spotřebič není umístěn do blízkosti zdroje tepla a že všechny čtyři nožky stojí pevně na zemi. Podle potřeby nožky nastavte a pomocí vodováhy zkontrolujte, zda je spotřebič dokonale vodorovný. Doporučujeme vám, abyste se zapojením spotřebiče počkali nejméně dvě hodiny, aby chladicí okruh mohl dokonale fungovat.

Všechny rozměry a vzdálenosti potřebné za účelem instalace spotřebiče jsou uvedeny v návodu k instalaci.

⚠ **VAROVÁNÍ:** Při umísťování spotřebiče na místo určení se ujistěte, že napájecí kabel není někde zachycen nebo zda nedošlo k jeho poškození.

⚠ **VAROVÁNÍ:** Aby se předešlo nebezpečí v důsledku nestability, musí být spotřebič umístěn nebo upevněn v souladu s pokyny výrobce. Je zakázáno umísťovat chladničku tak, aby se kovová hadice plynového sporáku, kovové plynové nebo vodní potrubí nebo elektrické vedení dotýkaly zadní stěny chladničky (výparník).

UPOZORNĚNÍ NA PŘERUŠENÍ DODÁVKY ELEKTRICKÉ ENERGIE

⚠ V souladu s národními bezpečnostními normami týkajícími

se elektrických zařízení musí být možné odpojit spotřebič z elektrické sítě vytažením zástrčky, pokud je zástrčka přístupná, popřípadě, v souladu s pravidly pro zapojování, prostřednictvím vícepólového vypínače umístěného před zásuvkou a spotřebič musí být uzemněn.

⚠ Nepoužívejte prodlužovací kabely, sdružené zásuvky nebo adaptéry. Po provedení instalace nesmí být elektrické prvky spotřebiče pro uživatele přístupné. Nepoužívejte spotřebič, pokud jste mokří nebo naboso.

Tento spotřebič nezapínejte, pokud je poškozen napájecí síťový kabel či zástrčka, pokud správně nefunguje nebo byl poškozen či spadl.

⚠ Jestliže je poškozený přívodní kabel, za identický ho smí vyměnit pouze výrobce, servisní technik nebo osoba s obdobnou kvalifikací, jinak by mohlo dojít k úrazu – riziko elektrického šoku.

⚠ **VAROVÁNÍ:** Zezadu spotřebiče neumísťujte přenosné vícezásuvkové prodlužovací přívody nebo přenosné napájecí zdroje.


ČIŠTĚNÍ A ÚDRŽBA

⚠ **VAROVÁNÍ:** Než zahájíte jakoukoli údržbovou operaci, ujistěte se, že je spotřebič vypnutý a odpojený od zdroje napájení; nikdy nepoužívejte parní čistič – riziko elektrického šoku.

⚠ Na plastové části, vnitřek spotřebiče a obložení dveřík či těsnění nepoužívejte abrazivní nebo nešetrné čisticí prostředky, jako jsou např. spreje na okna, žíravé odmašťovací přípravky, hořlavé kapaliny, čisticí vosky, koncentrované čisticí prostředky, bělidla nebo čističe obsahující ropné látky. K čištění

nepoužívejte papírové utěrky, abrazivní houbičky nebo jiné nešetrné nástroje.

LIKVIDACE OBALOVÝCH MATERIÁLŮ

Obal je ze 100% recyklovatelného materiálu a je označen recyklačním znakem .


Jednotlivé části obalového materiálu proto zlikvidujte odpovědně podle platných místních předpisů upravujících nakládání s odpady.

LIKVIDACE DOMÁCÍCH ELEKTROSPOTŘEBIČŮ

Tento spotřebič byl vyroben z recyklovatelných nebo opakovaně použitelných materiálů.

Zlikvidujte jej podle místních předpisů pro likvidaci odpadu.

Další informace o likvidaci, renovaci a recyklaci elektrických spotřebičů získáte na místním úřadě, ve středisku pro sběr domácího odpadu nebo v obchodě, kde jste spotřebič zakoupili. Tento spotřebič je označen v souladu s evropskou směrnicí 2012/19/EU o odpadních elektrických a elektronických zařízeních (OEEZ). Zajištěním správné likvidace tohoto výrobku pomůžete zabránit negativním vlivům na životní prostředí a lidské zdraví.

Symbol  na výrobku nebo příslušných dokladech udává, že tento výrobek nesmí být likvidován spolu s domácím odpadem, ale je nutné ho odevzdat do příslušného sběrného střediska k recyklaci elektrických a elektronických zařízení.

RADY K ÚSPORĚ ELEKTRICKÉ ENERGIE

Pro zajištění adekvátní ventilace dodržujte pokyny k instalaci spotřebiče.

Nedostatečné větrání na zadní straně spotřebiče zvyšuje spotřebu energie a snižuje účinnost chlazení.

Časté otevírání dvířek může zvýšit spotřebu energie.

Na teplotu uvnitř spotřebiče a spotřebu energie může mít vliv i pokojová teplota a umístění spotřebiče. Při nastavení teploty musíte brát tyto faktory v úvahu. Omezte otevírání dveří na minimum.

Při rozmrazování umístěte potraviny do chladničky. Nízká teplota zmrazených výrobků pomáhá chladit potraviny v chladničce.

Před vložením do spotřebiče nechte teplá jídla a nápoje vychladnout.

Umístění polic v chladničce nemá žádný vliv na efektivitu využití energie. Potraviny by měly být na policích uloženy takovým způsobem, aby byla zajištěna patřičná cirkulace vzduchu (potraviny by se neměly navzájem dotýkat a mezi potravinami a zadní stěnou by měl být dostatečný volný prostor). Úložnou kapacitu pro mražené potraviny můžete zvýšit tak, že odstraníte koše a přihrádku „Stop Frost“, je-li u modelu. Nenechte se znepokojoval hlukem kompresoru. Jedná se o běžný provozní zvuk.

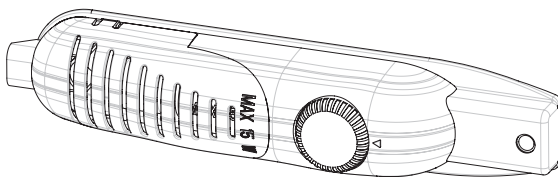


Označení shody značkou „G“ pro oblast Perského zálivu na výrobku označuje shodu se všemi požadavky technického předpisu vydaného Organizací normalizace Zálivu (GSO) pro nízkonapěťová elektrická zařízení a spotřebiče BD-142004-01.

JAK SE SPOTŘEBIČ OBSLUHUJE

Nastavení termostatu

- Termostat automaticky reguluje vnitřní teplotu v oddílu chladničky a v oddílu mrazničky. Otáčením knoflíku z polohy 1 do 5 lze dosáhnout chladnějších teplot.
- Poloha „0“ ukazuje, že termostat je zavřený a nebude probíhat žádné chlazení.
- Pro krátkodobé uchování potravin v mrazicím oddílu můžete nastavit knoflík mezi minimální a střední polohu (1–3).
- Pro dlouhodobé uchování potravin v mrazicím oddílu můžete knoflík nastavit do prostřední polohy (3–4).

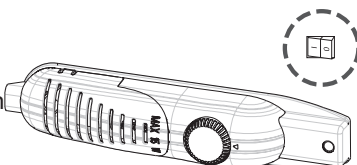


Všimněte si, že: Teplotu v chladničce ovlivňuje okolní teplota, teplota čerstvě vložených potravin a četnost otevírání dvířek. V případě potřeby změňte nastavení teploty.

- Při prvním zapnutí ponechte spotřebič nepřetržitě v provozu po dobu 24 hodin, aby dosáhl provozní teploty.
- Během této doby se snažte omezit četnost otevírání dvířek a nekládejte do spotřebiče velké množství potravin.
- Pokud dojde k vypnutí spotřebiče nebo vytažení jeho kabelu ze zásuvky, před jeho opětovným spuštěním či zapojením do zásuvky vyčkejte alespoň 5 minut. Tím předejdete poškození kompresoru.
- Mraznička chladničky může dosahovat provozní teploty až $-18\text{ }^{\circ}\text{C}$.
- Tento spotřebič je určen pro použití při okolní teplotě v rozsahu $16\text{ }^{\circ}\text{C}$ až $32\text{ }^{\circ}\text{C}$.

Spínač „Super“ (pokud je k dispozici)

- Standardně by měl tento spínač být nastaven do polohy „0“. Pokud je okolní teplota nízká, například v zimě, (tzn. nižší než $16\text{ }^{\circ}\text{C}$), nebo pokud je potřeba teplotu v mrazničce udržovat na nižší hodnotě, otočte spínačem do polohy pro zapnutí „1“.
- Pokud chcete zapnout spínač „super“ na termostatu, přepněte spínač do polohy „1“. Spínač se rozsvítí.
- Když se oddíl mrazničky ochladí na dostatečnou teplotu, nebo když se zvýší teplota okolního prostředí, otočte spínačem do vypnuté polohy, abyste snížili spotřebu elektrické energie.
- Po prvním spuštění musí spotřebič zůstat v nepřetržitém chodu 24 hodin, aby se zajistilo dostatečné chlazení a dosažení příslušné teploty.
- Během této doby neotevírejte příliš často dvířka a nekládejte do spotřebiče příliš mnoho potravin.



Pokud dojde k vypnutí nebo vytažení jednotky ze zásuvky, vyčkejte před jejím opětovným spuštěním či zapojením do zásuvky alespoň 5 minut, aby nedošlo k poškození kompresoru.

Velmi rychlé zmrazení: Pokud je okolní teplota vyšší než $16\text{ }^{\circ}\text{C}$, musí se tento spínač používat jako spínač „extra rychlého mrazení“. Pro dosažení maximální mrazicí kapacity je nutné tento spínač zapnout 24 hodin před vložením čerstvých potravin do mrazničky. Po vložení čerstvých potravin do mrazničky obvykle postačí 24 hodin v zapnuté poloze. Abyste uspořili energii, vypněte tento spínač 24 hodin po vložení čerstvých potravin do mrazničky.

Varování ohledně nastavení teploty

- Teplotu v chladničce ovlivňuje okolní teplota, teplota čerstvě vložených potravin a četnost otevírání dvířek. V případě potřeby změňte nastavení teploty.
- Z hlediska účinnosti se nedoporučuje používat chladničku v prostředí s teplotou nižší než 10 °C.
- Při nastavování termostatu je třeba vzít v úvahu, jak často se dvířka mrazničky otevírají a zavírají za účelem ukládání/vyndávání potravin a kolik potravin je uloženo v chladničce a v jakém prostředí je chladnička umístěna.
- Po zapojení by vaše lednice měla být spuštěna bez přerušení po dobu 24 hodin, aby se přizpůsobila okolní teplotě. Během této doby neotevírejte dvířka lednice příliš často a neukládejte dovnitř mnoho potravin.
- Pro případ, že lednici odpojíte a poté opět zapojíte do zásuvky, nebo dojde-li k výpadku elektřiny, je lednice opatřena ochrannou funkcí 5minutového zpožděného provozu. Cílem je zamezit poškození kompresoru vaší ledničky. Po uplynutí těchto 5 minut se obnoví normální funkce vaší ledničky.
- Vaše lednice je určena pro provoz při okolních teplotách, které jsou uvedené ve standardních vlastnostech, dle klimatické třídy uvedené na informačním štítku. Z hlediska účinnosti chlazení nedoporučujeme provozovat chladničku na místech, kde se teplota pohybuje mimo uvedené teplotní rozsahy.
- Tento spotřebič je určen pro použití při okolních teplotách v rozsahu 16 °C až 32 °C.

Příslušenství

Indikátor otevřených dvířek

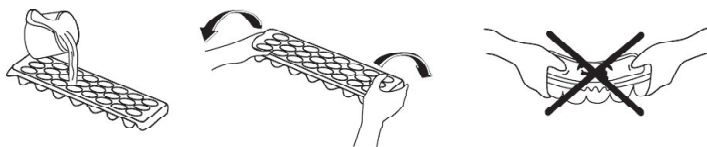
- Indikátor otevřených dvířek signalizuje, zda jsou dvířka správně zavřená, nebo zda jsou stále pootevřená.
- Je-li indikátor červený, dvířka jsou stále pootevřená.
- Je-li indikátor bílý, dvířka jsou řádně zavřená.
- Dbejte na to, aby byla dvířka mrazničky vždy zavřená. Zabrání se tak rozmrazení potravin; zabrání se hromadění ledu a námrazy uvnitř mrazničky a zbytečnému nárůstu spotřeby energie.



Výroba kostek ledu

Tác na led

- Naplňte táč na led vodou a umístěte jej do oddílu mrazničky.
- Po úplném zmrazení vody na led můžete táč zkroutit podle obrázku, aby bylo možné kostky ledu vyjmout.



UCHOVÁVÁNÍ POTRAVIN VE SPOTŘEBIČI

Chladicí oddíl

Chladicí oddíl se používá pro uchovávání čerstvých potravin po dobu několika dnů.

- Potraviny uvnitř chladicího oddílu se nesmějí dotýkat jeho zadní stěny. Okolo potravin ponechtejте trošku místa, aby mohl cirkulovat vzduch.
- Do chladničky neukládejте potraviny nebo tekutiny, které jsou ještě teplé.
- Před uložením do chladničky potraviny vždy zabalte, nebo je skladujte v uzavřených nádobách.
- Pro snížení vlhkosti a zabránění vzniku námrazy nikdy do chladničky neukládejте nápoje a tekutiny v netěsných nádobách.
- Maso doporučujeme volně zabalit a uložit na skleněnou polici těsně nad úložným boxem na zeleninu, kde je chladnější vzduch.
- Ovoce a zeleninu uchovávejte volně ve speciálních přihrádkách na ovoce a zeleninu.
- Abyste zabránili unikání studeného vzduchu, snažte se neotevírat dvířka příliš často a nenechávejte je otevřené dlouho.

Mrazicí oddíl

Oddíl mrazničky se používá pro mrazení čerstvých potravin a skladování již zmrazených potravin po dobu uvedenou na obalu a pro výrobu ledových kostek.

- Při zmrazování čerstvých potravin jídlo řádně zabalte a utěsněte; obal by měl být vzduchotěsný a neměl by protékat. Ideální jsou speciální mrazicí sáčky, hliníková fólie (silná, v případě pochybností dvojitý obal), polyethylenové sáčky a plastové nádoby.
- Nedovolte, aby se čerstvé potraviny dotýkaly již zmrazených potravin.
- Vždy vyznačte datum a obsah balení a nepřekračujte stanovenou dobu skladování.
- V případě výpadku napájení nebo poruchy funkce bude mrazicí prostor udržovat dostatečně nízkou teplotu pro skladování potravin. Vyhněte se však otevření dvířek mrazničky, abyste zpomalili nárůst teploty v mrazicím prostoru.
- Maximální množství čerstvých potravin, které lze uložit do mrazničky během 24 hodin, je uvedeno na typovém štítku (viz „Mrazicí výkon“).
- Do mrazicího prostoru nikdy neukládejте teplá jídla.
- Při nákupu a skladování zmrazených potravin se ujistěte, že nemají poškozený obal.
- Doba uchovávání a doporučená teplota pro skladování mražených potravin jsou uvedeny na obalu. Pokud jde o ukládání potravin do chladničky/mrazničky a používání spotřebiče, řiďte se pokyny výrobce. Pokud nemáte k dispozici žádné informace, potraviny byste neměli uchovávat déle než 3 měsíce.
- Zmrazené potraviny vložte do mrazicího prostoru co nejdříve po jejich zakoupení.
- Jakmile se potravina jednou rozmrazí, nesmí se znovu mrazit. Je nutné ji co nejdříve tepelně upravit. Za účelem konzumace nebo opětovného zamražení.

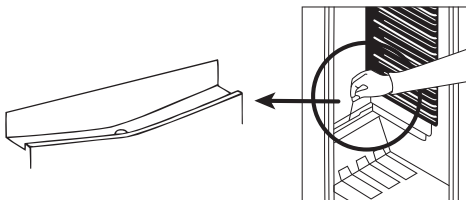
ČIŠTĚNÍ A ÚDRŽBA

- Před čištěním odpojte spotřebič od elektrického napájení.
- Vaši chladničku s mrazničkou nečistěte tak, že ji budete polévat vodou.
- Zajistěte, aby do krytu světla ani do jiných elektrických součástí nevnikla žádná voda.
- Chladnička by se měla pravidelně čistit roztokem hydrogenuhličitanu sodného rozpuštěným ve vlažné vodě.
- Příslušenství čistěte odděleně mýdlem a vodou. Nemyjte je v myčce.
- Nepoužívejte abrazivní čisticí prostředky ani saponáty. Po umytí opláchněte čistou vodou a opatrně osušte. Po dokončení čištění zapojte suchou rukou zástrčku zpět do elektrické sítě.
- Kondenzátor čistěte nejméně dvakrát ročně kartáčovým nástavcem. To vám pomůže ušetřit náklady na energii a zvýšit produktivitu.

ELEKTRICKÉ NAPÁJENÍ MUSÍ BÝT ODPOJENO.

Odmrazování chladicího oddílu:

- Odmrazování v chladničce probíhá automaticky během provozu; odmrazená voda se shromažďuje v odpařovací misce a automaticky se vypařuje.
- Odpařovací misku a vypouštěcí otvor pro odmrazenou vodu je třeba pravidelně čistit pomocí vypouštěcí zátky, aby se voda namísto vytékání nehromadila na dně chladničky.
- K vyčištění vnitřku můžete do vypouštěcího otvoru rovněž nalít ½ sklenice vody.



Odmrazování mrazicího oddílu:

VAROVÁNÍ: K této činnosti nikdy nepoužívejte ostré kovové nástroje, pokud tak nedoporučí výrobce, neboť by mohlo dojít k poškození chladicího okruhu.

Po nějaké době se na určitých místech mrazicího oddílu začne tvořit námraza. Námrazu nahromaděnou v mrazicím oddílu je třeba pravidelně odstraňovat (používejte plastovou škrabku, je-li k dispozici).

Aby byla zachována účinnost mrazničky, úplné odmrazení bude nutné v případě, pokud vrstva námrazy přesáhne 3–5 mm.

- Den před odmrazením nastavte ovladač termostatu do polohy 5, aby se potraviny zcela zmrazily.
- Během odmrazování by zmrazené potraviny měly být zabaleny do několika vrstev papíru a uchovávány na chladném místě. Nevyhnutelné zvýšení teploty zkrátí jejich skladovatelnost. Nezapomeňte spotřebovat tyto potraviny v relativně krátké době.
- Nastavte knoflík termostatu do polohy „•“ a zapněte spotřebič.
- Pro urychlení procesu odmrazování ponechejte dvířka otevřená. Rozmrzlou vodu odstraňte z vnitřního prostoru.
- Ručně omyjte vnitřek spotřebiče vlažnou vodou s troškou čisticího přípravku.

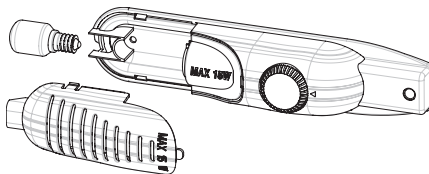
Nikdy nepoužívejte abrazivní prostředky nebo agresivní čisticí přípravky.

- Vysušte vnitřek spotřebiče, připojte k elektrické síti a knoflík termostatu otočte do polohy „5“. Po uplynutí 24 hodin nastavte termostat znovu do vámi požadované polohy.

Výměna žárovky

Při výměně žárovky v chladničce:

1. Odpojte zařízení od elektrické sítě.
2. Stiskněte háčky na stranách horní části krytu světla a sejměte kryt světla.
3. Vyměňte stávající žárovku za novou, která nemá více než 15 W.
4. Nasadíte zpět kryt osvětlení a po 5 minutách spotřebič zapojte do zásuvky.



Výměna LED osvětlení

Je-li vaše chladnička vybavena kontaktním LED osvětlením, smí výměnu provádět pouze autorizovaný odborník.

PŘEPRAVA A ZMĚNA POLOHY INSTALACE

Přeprava a změna místa instalace

- Původní obaly a pěnový polystyren (PS) lze v případě potřeby zachovat.
- Během přepravy by měl být spotřebič zajištěn širokým popruhem nebo silným lanem. Při přepravě je třeba dodržovat pokyny uvedené na krabici z vlnité lepenky.
- Před přepravou nebo změnou místa instalace by měly být všechny pohyblivé předměty (např. police, přihrádka na ovoce a zeleninu) vyjmuty nebo upevněny pomocí lepicích pásků, aby nedošlo k jejich poškození.

NEŽ ZAVOLÁTE DO SVÉHO SERVISU

Pokud vaše chladnička nefunguje správně, může se jednat pouze o menší problém. Proto se seznamte s následujícími informacemi:

Spotřebič nefunguje

Zkontrolujte, zda:

- nedošlo k výpadku napájení;
- síťová zástrčka je správně zapojená a není uvolněná;
- termostat je nastavený v poloze „•“;
- není vadná zásuvka. Toto přezkontrolujete tak, že do stejné zásuvky připojíte zařízení, o kterém víte, že funguje.

Spotřebič nemá dostatečný výkon

Zkontrolujte, zda:

- jste spotřebič nepřeplnili;
- jsou řádně dovřená dvířka;
- je v kuchyňské skříňce dostatek větracích kanálků, jak je uvedeno v návodu k instalaci.

V případě hluku:

Cirkulace chladicího plynu v chladicím okruhu může být mírně slyšet (šumění), i když kompresor neběží. Nemějte obavy, jedná se o zcela běžný jev. V případě, že uslyšíte jiný zvuk,

Zkontrolujte, zda:

- je spotřebič nainstalován pevně a stabilně podle popisu v návodu k instalaci;
- zda nevibrují věci uvnitř.

Pokud je ve spodní části chladničky přítomná voda,

zkontrolujte, zda:

- není ucpaný vypouštěcí otvor vody (vypouštěcí otvor vyčistěte pomocí vypouštěcí zátky).
- Pokud vaše chladnička dostatečně nechladí:
- Vaše chladnička je určena pro provoz v rozsazích okolních teplot uvedených ve standardech, a to podle klimatické třídy na informačním štítku. Chladničku nedoporučujeme provozovat mimo uvedené mezní hodnoty teplot. Snižuje se tím chladicí účinnost chladničky.

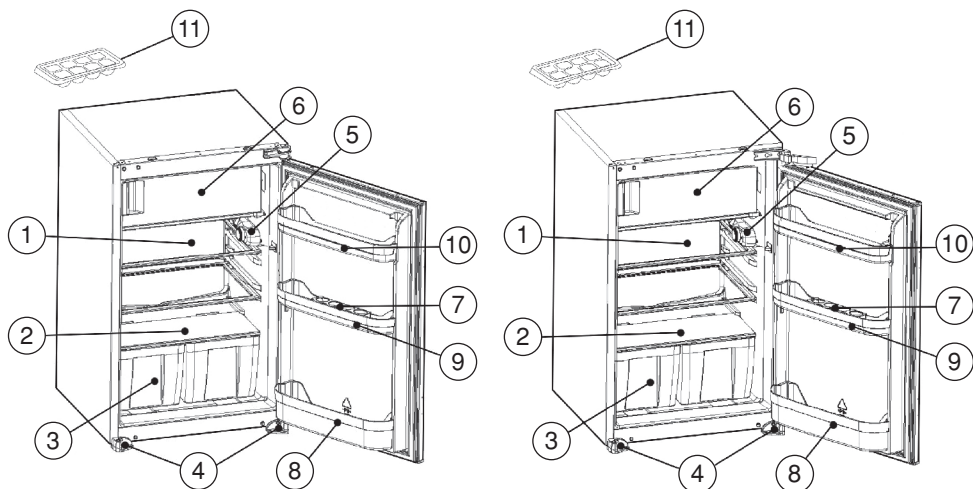
Doporučení

- Při výpadku proudu vytáhněte chladničku ze zásuvky, abyste předešli poškození kompresoru. Po obnovení dodávky proudu vyčkejte před opětovným zapojením spotřebiče 5–10 minut.
- Pokud chladničku z jakéhokoli důvodu vypojíte ze zásuvky, vyčkejte alespoň 5 minut, než ji opět zapojíte. Tím předejdete poškození komponentů chladničky.
- Chladicí jednotka vaší chladničky je skrytá v zadní části spotřebiče. Na zadní stěně chladničky se proto mohou vyskytovat kapky vody nebo námraza v důsledku provozu kompresoru ve stanovených intervalech. Jedná se o běžný jev a není nutné provádět odmrazování, pokud námrazy není příliš mnoho.
- Pokud chladničku nehodláte po delší dobu využívat (např. o letních dovolených), nastavte knoflík termostatu do polohy „*“. Po odmrazení chladničku vyčistěte a ponechejte dvířka otevřená, abyste zamezili tvorbě vlhkosti a zápachu.
- Pokud problémy přetrvávají i po provedení kroků podle výše uvedených pokynů, poraďte se s nejbližším autorizovaným servisem.
- Spotřebič, který jste si zakoupili, je určen pro domácí použití a smí se používat pouze ke stanoveným účelům. Není vhodný pro komerční účely. Pokud uživatel používá spotřebič v rozporu s výše uvedeným, zdůrazňujeme, že výrobce ani prodejce nenesou žádnou odpovědnost za nutnost oprav nebo za poruchy, které se objevily během záruční doby.

Tipy pro úsporu energie

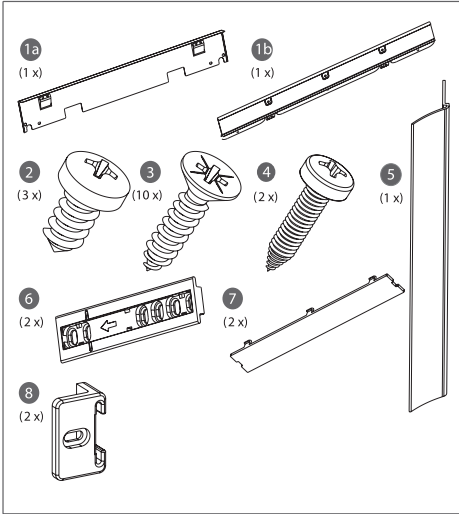
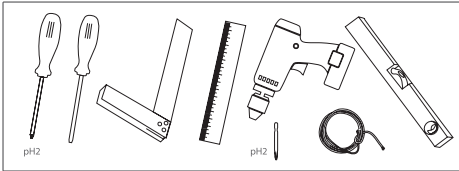
1. Spotřebič instalujte v chladné a dobře větrané místnosti, nikoli však na místě vystaveném přímému slunečnímu záření nebo v blízkosti zdrojů tepla (např. radiátor, sporák). V opačném případě použijte izolační desku.
2. Teplá jídla a nápoje nechejte vychladnout mimo spotřebič.
3. Při rozmrazování zmrazených potravin umístěte tyto potraviny do oddílu chladničky. Nízká teplota zmrazených potravin pomáhá během rozmrazování ochlazovat chladicí oddíl. Tím šetříte energii. Pokud zamrazené potraviny vytáhnete ven, budete ve výsledku energií plýtvat.
4. Nápoje nebo jiné tekutiny, které vkládáte do spotřebiče, přikryjte, aby uvnitř spotřebiče nedošlo k nárůstu vlhkosti, neboť ta pak prodlužuje dobu potřebnou ke zchlazení/zmrazení. Přikrytím nápojů a jiných tekutin rovněž uchováte jejich vůni a chuť.
5. Snažte se vyhnout ponechávání otevřených dvířek po dlouhou dobu nebo jejich příliš častému otevírání, neboť do prostoru skříňky pronikne teplý vzduch a zbytečně často se pak bude muset zapínat kompresor.
6. Kryty různých teplotních oddílů (zásuvka „crisper box“ na ovoce a zeleninu, zásuvka „chiller box“ na maso a drůbež atd.) udržujte zavřené.
7. Těsnění dveří musí být čisté a pružné. V případě poškození těsnění vyměňte.

ČÁSTI PŘÍSTROJE A JEDNOTLIVÉ ODDÍLY

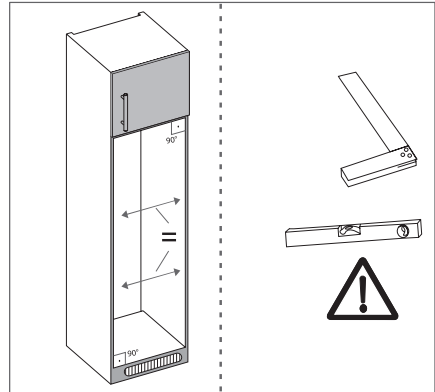
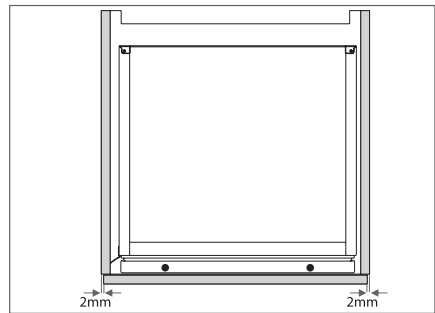
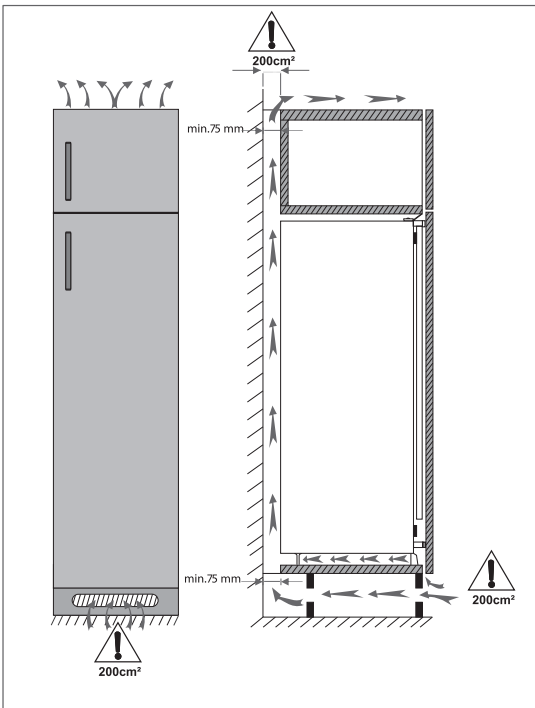
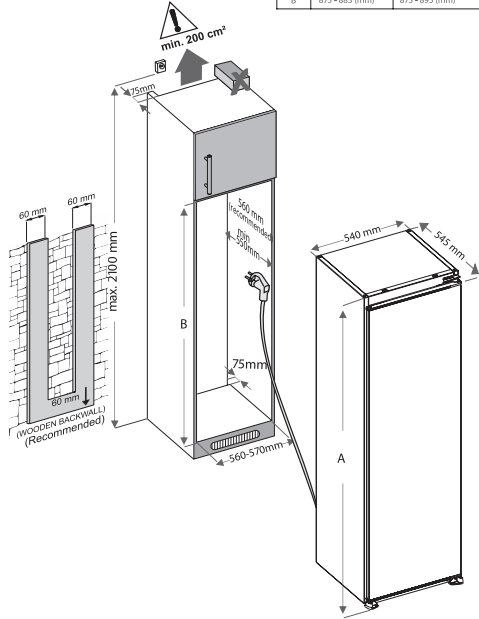


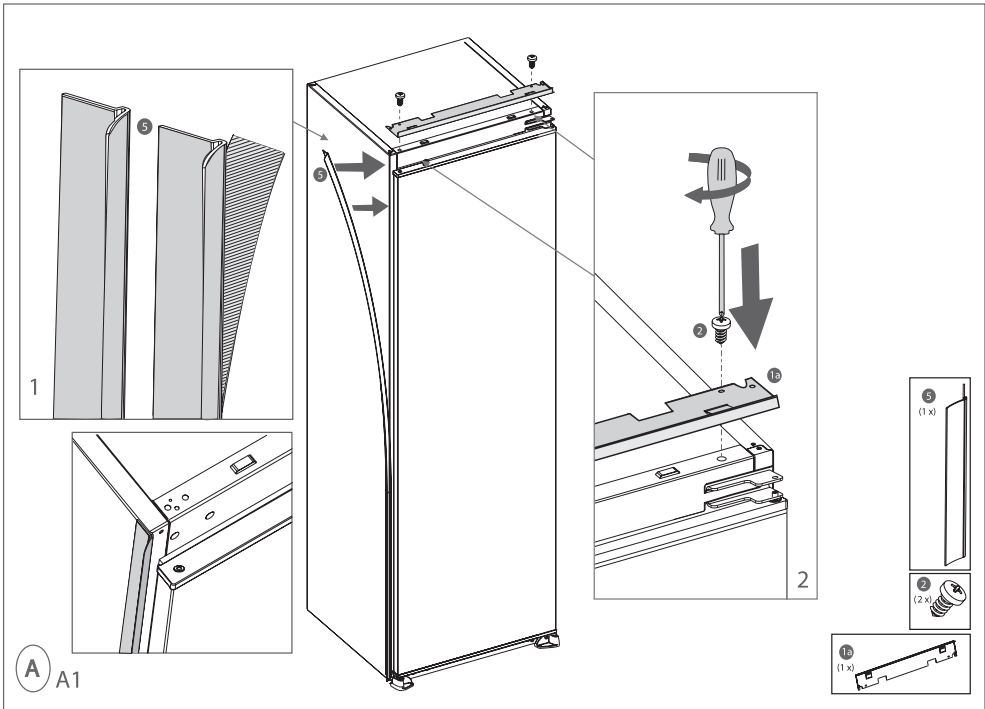
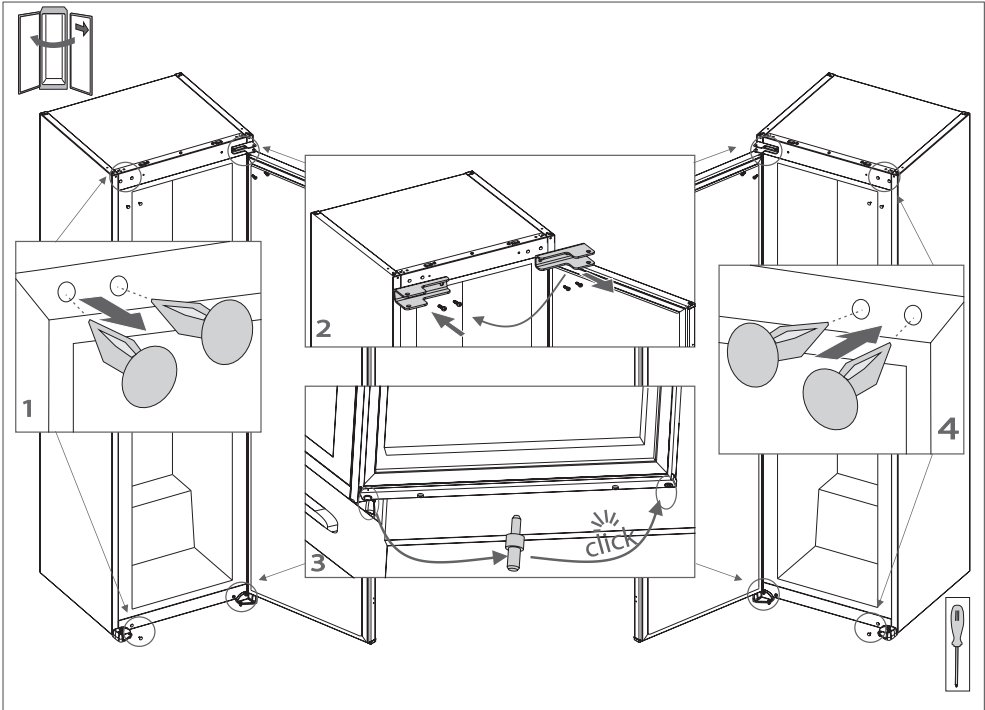
Tato prezentace je pouze informačního rázu a týká se součástí přístroje.
Jednotlivé části se mohou lišit dle modelu přístroje.

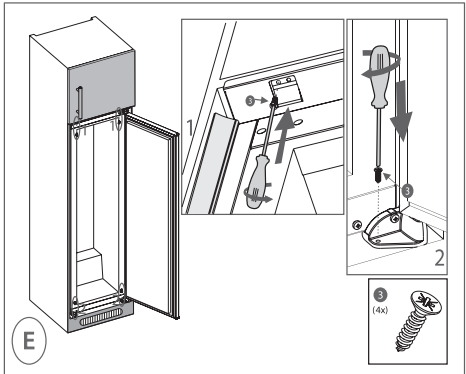
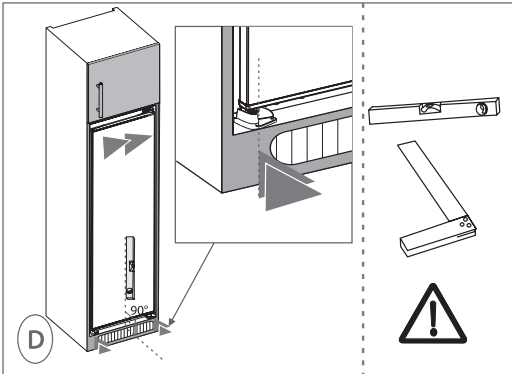
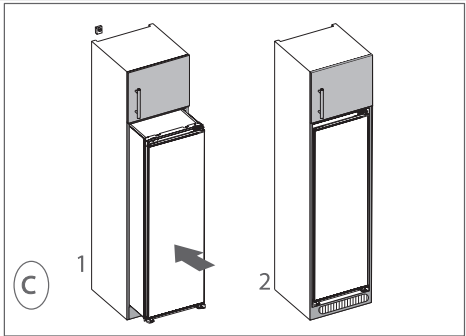
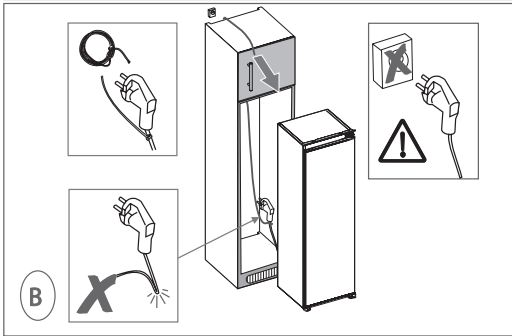
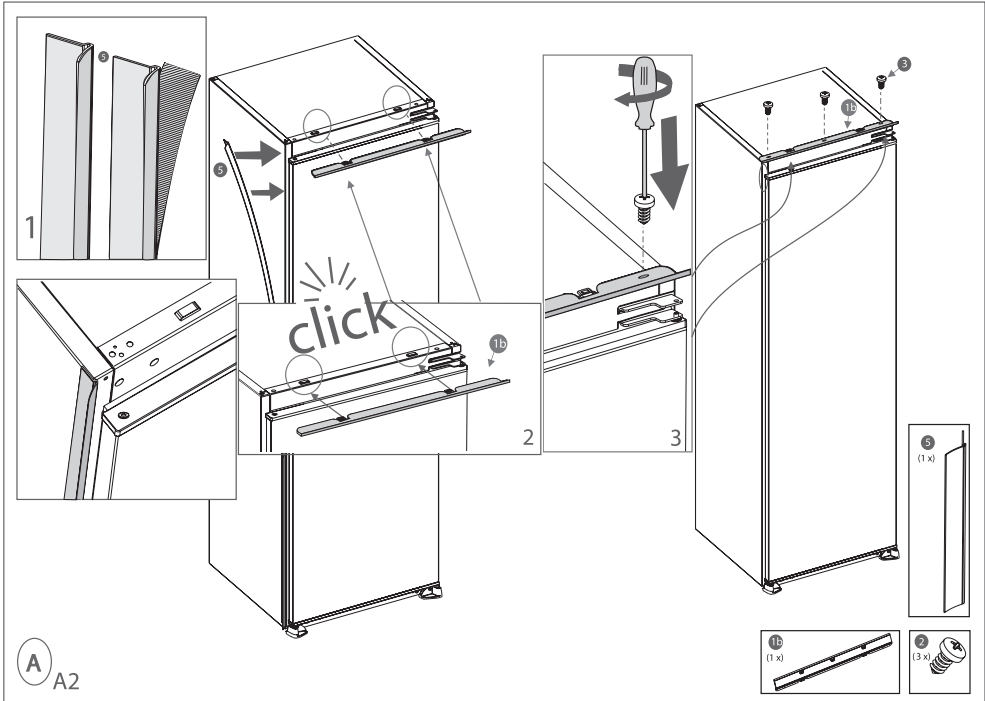
- | | |
|---|------------------------|
| 1. POLICE CHLADNIČKY | 6. ODDÍL MRAZNIČKY |
| 2. KRYT PŘIHRÁDKY NA OVOCE A ZELENINU (BEZPEČNOSTNÍ SKLO) | 7. PŘIHRÁDKA NA VEJCE |
| 3. PŘIHRÁDKA NA OVOCE A ZELENINU (CRISPER) | 8. PŘIHRÁDKA NA LÁHVE |
| 4. LEVÉ A PRAVÉ NOŽKY | 9. PROSTŘEDNÍ POLICE |
| 5. SKŘÍŇKA TERMOSTATU | 10. PŘIHRÁDKA NA MÁSLA |
| | 11. TÁČ NA LED |

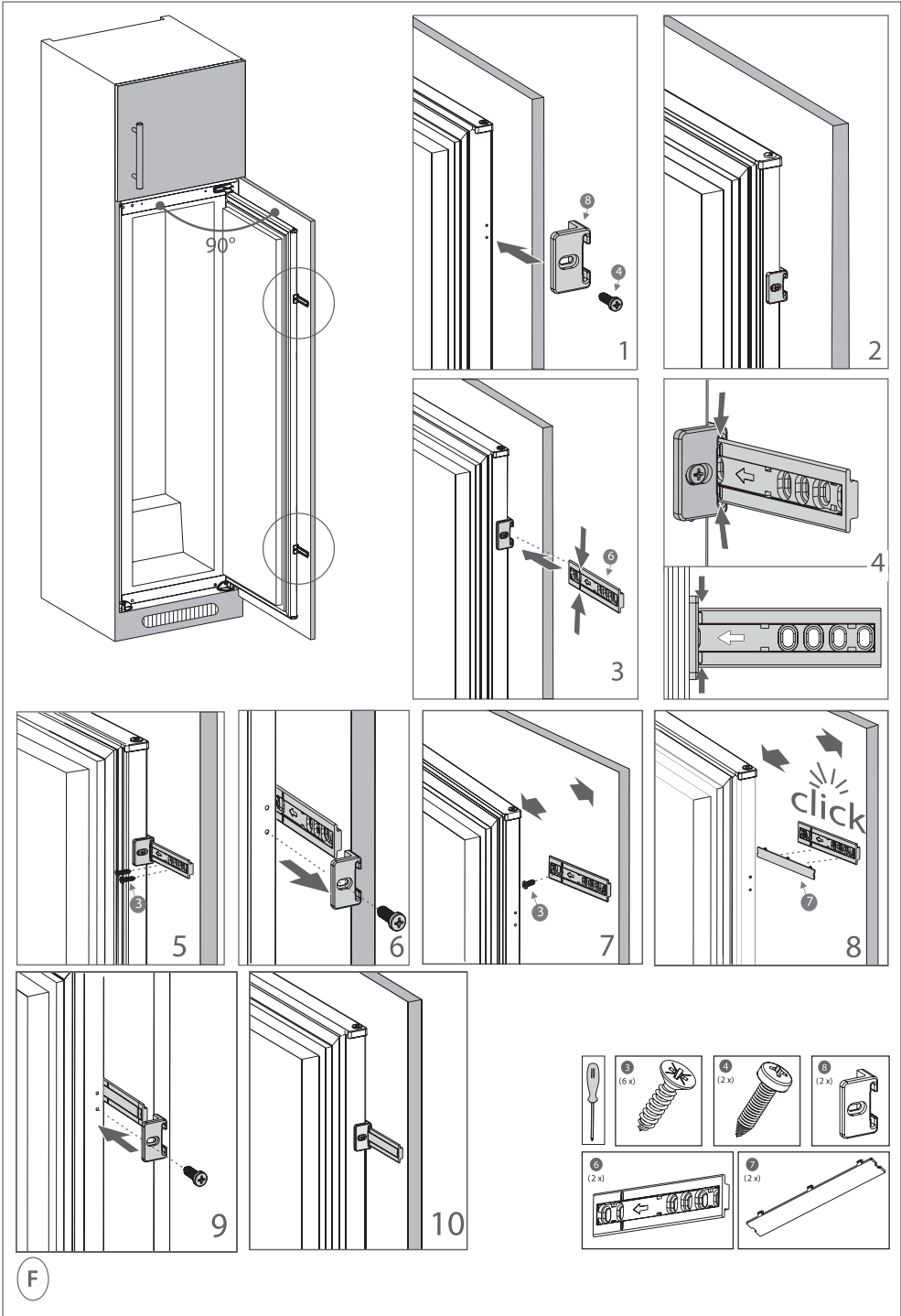


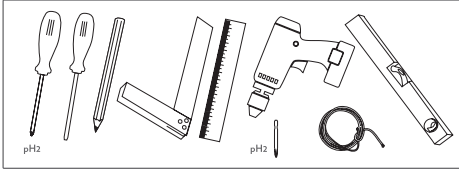
A	875 (mm)	875 (mm)
B	875 - 883 (mm)	875 - 895 (mm)



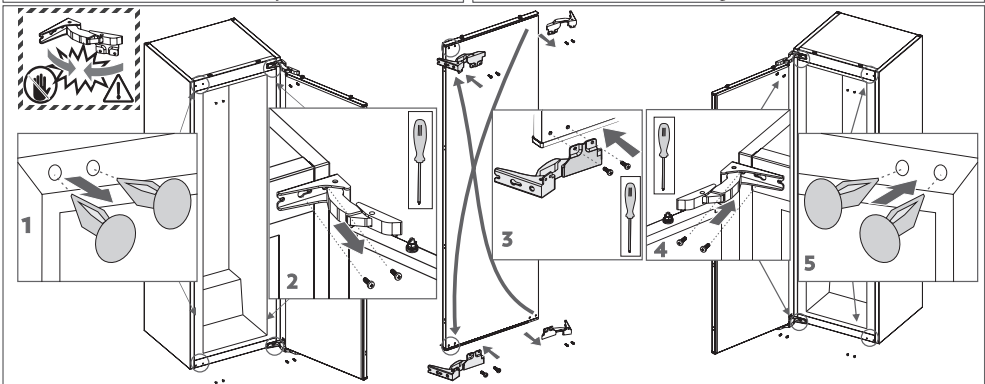
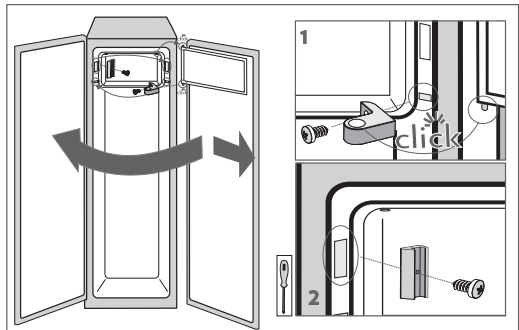
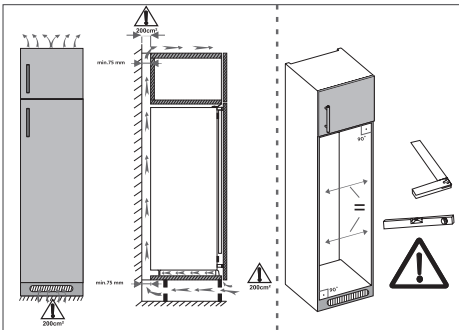
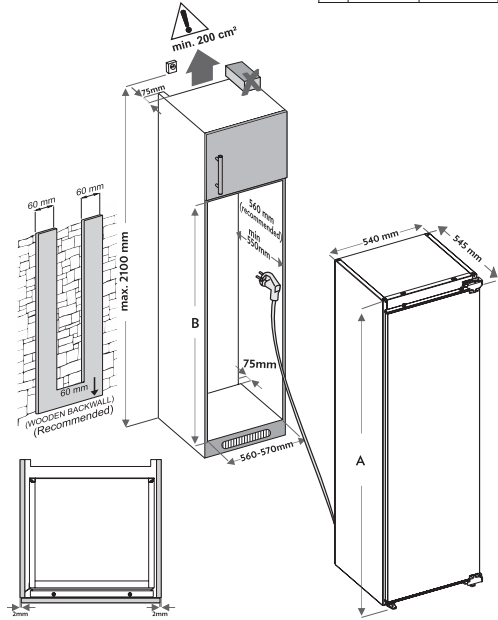
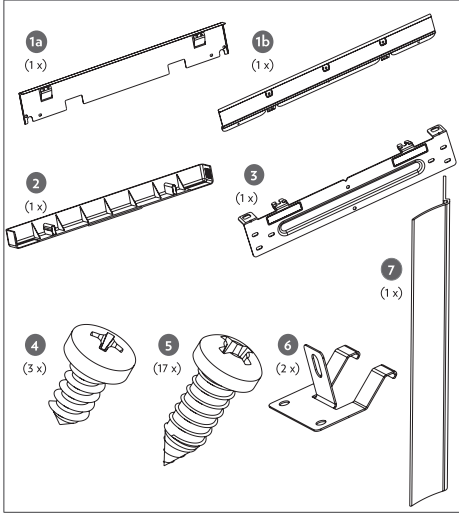


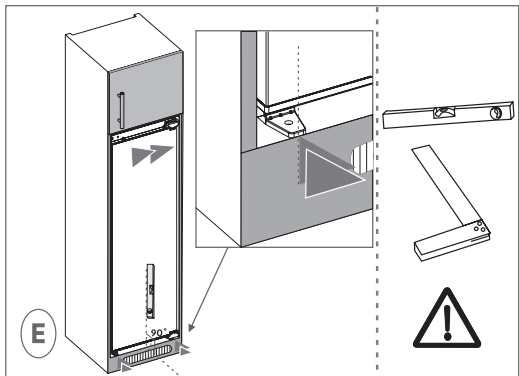
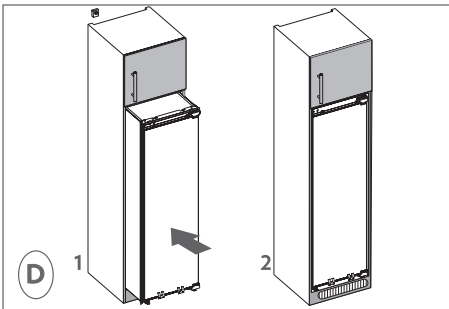
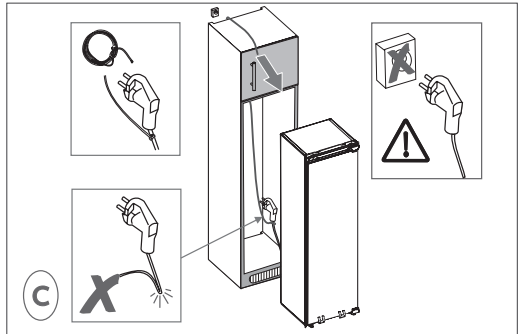
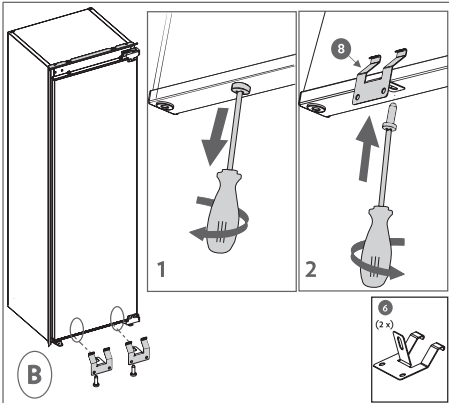
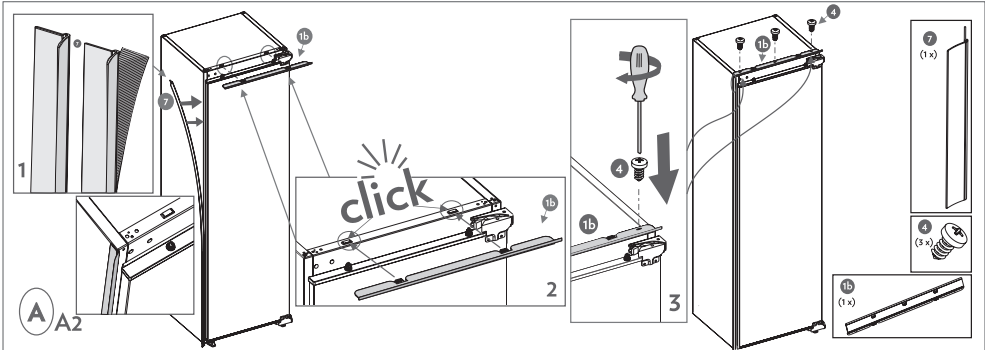
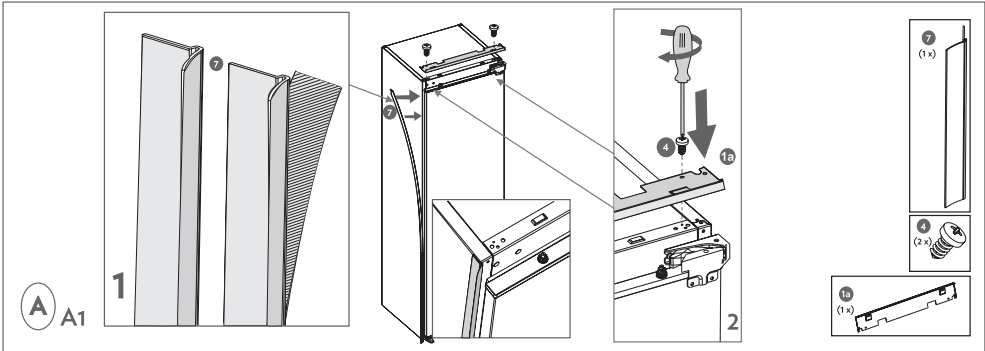


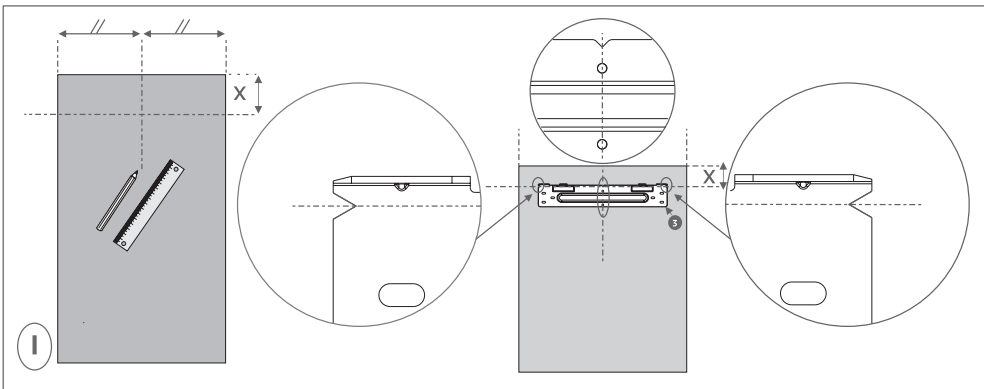
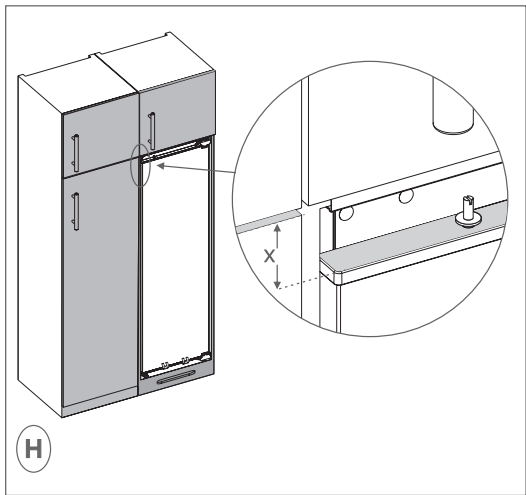
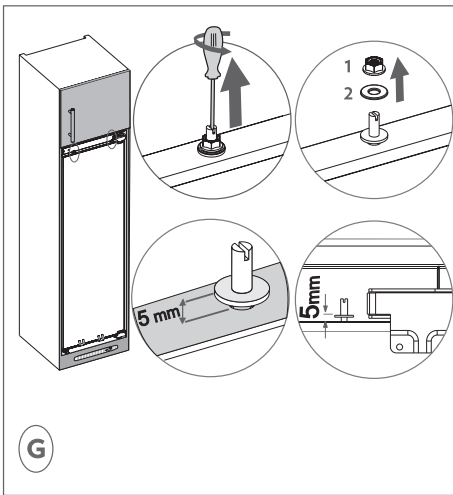
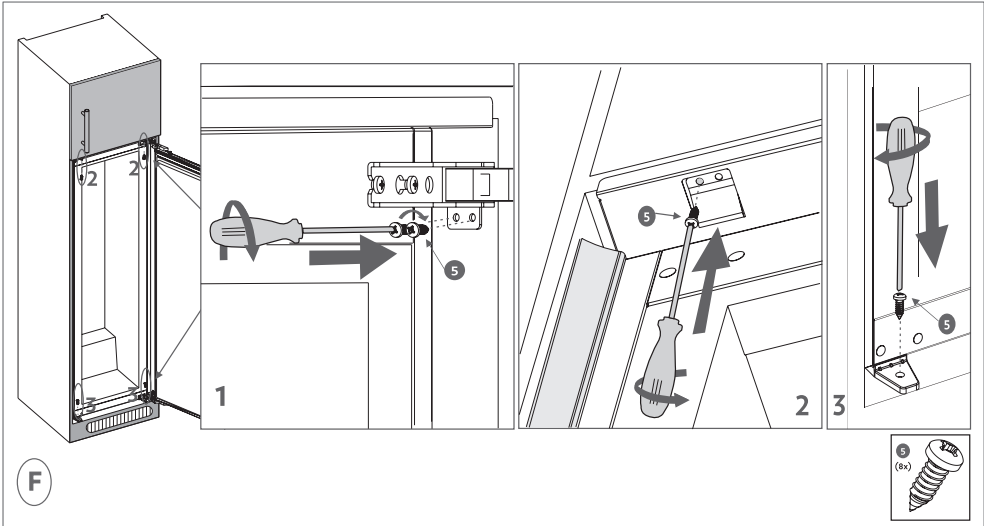


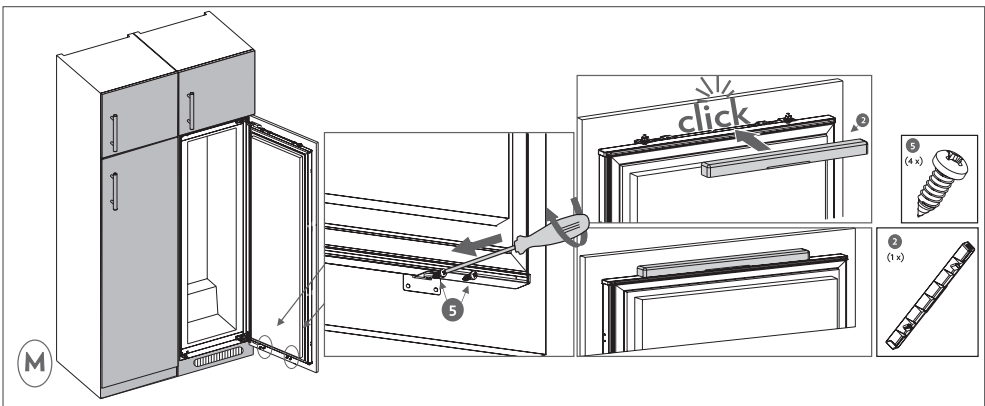
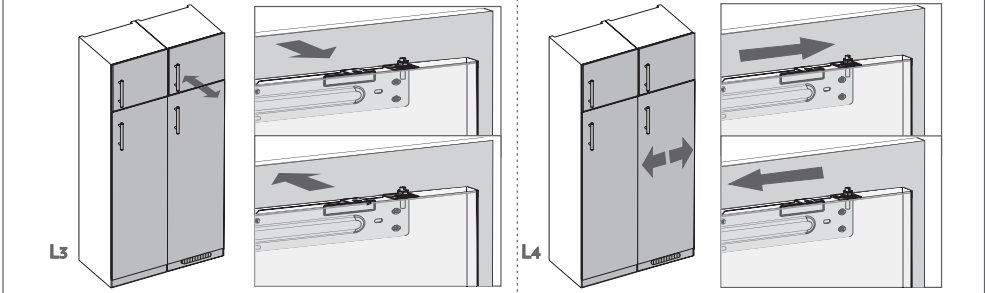
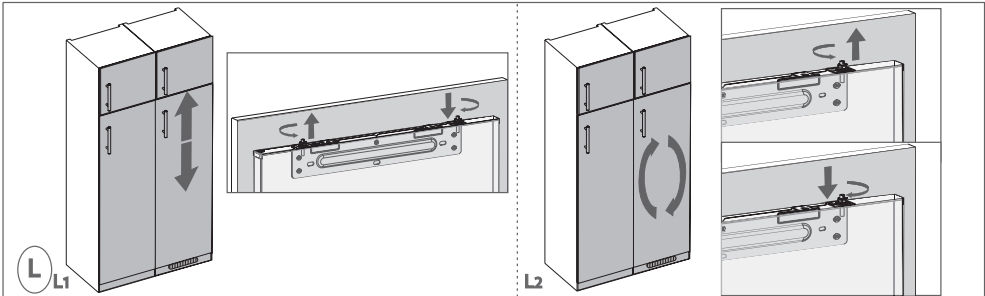
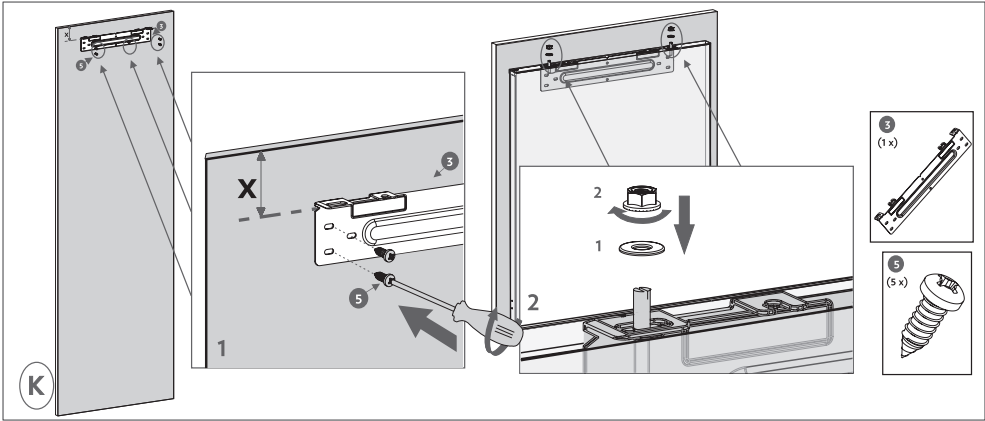


	A	B
A	875(mm)	875(mm)
B	875 - 885 (mm)	875 - 879 (mm)











400011209796/A

EN DE FR NL IT ES SL DA
FI NO SE SK HU HR CS



10/20