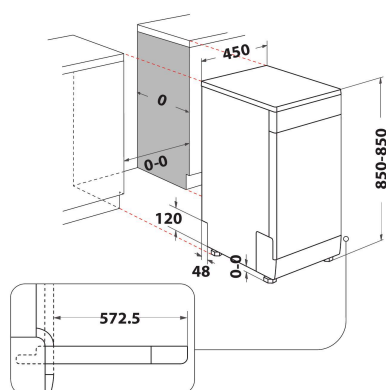


DF9E 1B10 S

12NC: 869991671980

GTIN (EAN) code: 8050147671986

INDESIT
Life proof.



MAIN FEATURES

Construction type	Samostojeći
Installation type	Samostojeći
Type of control	Electronic
Type of control settings	-
Removable work top	Yes
Main colour of product	Srebrna
Electrical connection rating (W)	1900
Current (A)	10
Voltage (V)	220-240
Frequency (Hz)	50
Length of Electrical Supply Cord (cm)	130
Plug type	Schuko
Length inlet hose (cm)	155
Length outlet hose (cm)	150
Adjustable feet	Yes - all from front
Height of the product	850
Width of the product	450
Depth of the product	590
Minimum niche height	820
Maximum niche height	900
Minimum niche width	450
Maximum niche width	600
Niche depth	590
Net weight (kg)	34.9
Gross weight (kg)	36.7

TECHNICAL FEATURES

Automatic programmes	Ne
Maximum temperature for water intake (°C)	60
Start delay options	Continuous
Start delay time max. (h)	0
Progress indicator	-
Digital countdown indicator	Ne
Salt light indicator	Ne
Rinse aid light indicator	Ne
Safety device	Yes
Adjustable upper basket	Yes
Largest loadable dish upper basket (cm)	0
Largest loadable dish lower basket (cm)	0
Maximum number of place settings (EU 2017/1369)	9
Column installation	Ne

ENERGY LABEL

Energy Efficiency Class (Regulation (EU) 2017/1369)	F
Energy Consumption for 100 cycles Eco Programme (EU 2017/1369)	78
Power consumption in standby mode (Psm) (EU 2017/1369)	0,50
Power consumption in off-mode (Po) (EU 2017/1369)	0,00
The water consumption of the eco programme in liters per cycle (EU 2017/1369)	11,5
Airborne acoustical noise emissions (EU 2017/1369)	51
Airborne acoustical noise emission class (EU 2017/1369)	D
Programme duration in HMM (EU 2017/1369)	4:00