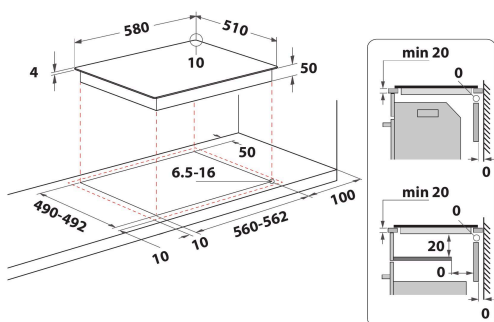
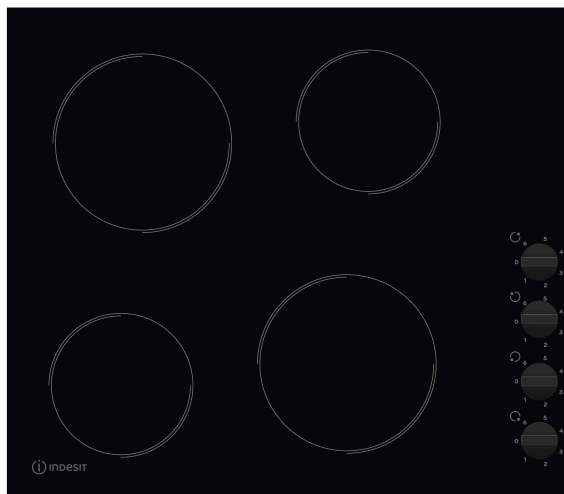


# RI 860 C

12NC: F104275

GTIN (EAN) code: 8050147042755

 **INDESIT**



## MAIN FEATURES

Product group	Ploča za kuhanje
Construction type	Ugradbeni
Type of control	Mechanical
Type of control settings	-
Number of gas burners	0
Number of electric cooking zones	4
Number of electric plates	0
Number of radiant plates	4
Number of halogen plates	0
Number of induction plates	0
Number of electric warming zones	0
Location of control panel	Lateral
Basic surface material	Ceramic Glass
Main colour of product	Crna
Electrical connection rating (W)	5800
Gas connection rating (W)	0
Gas type	-
Current (A)	25,2
Voltage (V)	220-240/380-415
Frequency (Hz)	50/60
Length of Electrical Supply Cord (cm)	0
Plug type	Ne
Gas connection	-
Width of the product	580
Height of the product	50
Depth of the product	510
Minimum niche height	40
Minimum niche width	560
Niche depth	490
Net weight (kg)	8
Automatic programmes	Ne

## TECHNICAL FEATURES

Power on indicator	Yes
Number of indicators	1
Type of regulation	Radiant
Type of lid	Without
Residual heat indicator	Without
Main on/off switch	Ne
Safety device	-
Timer	Ne

## ENERGY LABEL

Energy input

Electric