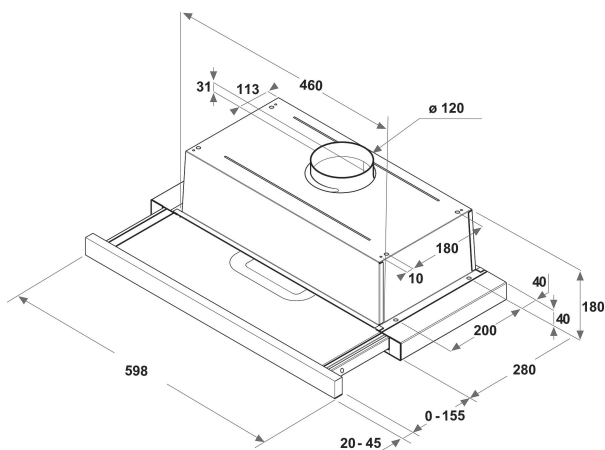


H 461 IX.1/1

12NC: F155931

GTIN (EAN) code: 8050147559314

 **INDESIT**



MAIN FEATURES

Product group	Napa
Colour body	Inox
Material body	Stainless steel
Colour chimney	-
Material chimney	-
Typology	Pull-out
Installation type	Ugradbeni
Type of control	Mechanical
Type of control settings	-
Decor panel options	-
Motor location	Integrated motor in hood body
Operating Mode	Convertible
Electrical connection rating (W)	121
Current (A)	0,56
Voltage (V)	220-240
Frequency (Hz)	50
Length of Electrical Supply Cord (cm)	150
Plug type	Ne
Chimney height (mm)	-
Height of product, without chimney (mm)	211
Height of the product	180
Width of the product	598
Depth of the product	300
Minimum niche height	0
Minimum niche width	0
Niche depth	0
Net weight (kg)	6

TECHNICAL FEATURES

Type of manual control devices	Slider
Type of automatic control devices	-
Number of motors	1
Total power of the motors (W)	115
Number of speed settings: boost option availability	3
Boost presence	Ne
Maximum output air extraction (m ³ /h)	304
Boost position air extraction (m ³ /h)	0
Maximum output recirculating air (m ³ /h)	0
Boost position output recirculating (m ³ /h)	0
Light Control Type	On/Off
Number of lights	2
Type of lamps used	LED
Total power of the lamps (W)	6
Diameter of air outlet (mm)	120
No-return airflow flap	Yes
Grease filter material	Washable aluminium
Odour filter	Ne

ENERGY LABEL

Sound power at min. speed (2010/30/EU)	46
Sound power at max. speed (2010/30/EU)	62
Noise level with boost position (dB(A) re 1 pW)	0