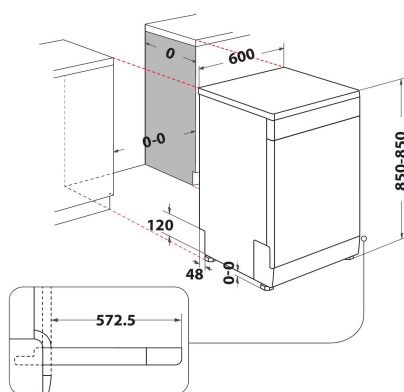


# D2F HK26 S

12NC: 869991662770

GTIN (EAN) code: 8050147662779

 **INDESIT**



## MAIN FEATURES

Construction type	Samostojeći
Installation type	Samostojeći
Type of control	Electronic
Type of control settings	-
Removable work top	Yes
Main colour of product	Srebrna
Electrical connection rating (W)	1900
Current (A)	10
Voltage (V)	220-240
Frequency (Hz)	50
Length of Electrical Supply Cord (cm)	130
Plug type	Schuko
Length inlet hose (cm)	155
Length outlet hose (cm)	150
Adjustable feet	Yes - all
Height of the product	850
Width of the product	600
Depth of the product	590
Minimum niche height	820
Maximum niche height	900
Minimum niche width	0
Maximum niche width	600
Niche depth	590
Net weight (kg)	43.1
Gross weight (kg)	44.9

## TECHNICAL FEATURES

Automatic programmes	Ne
Maximum temperature for water intake (°C)	60
Start delay options	One time fixed
Start delay time max. (h)	8
Progress indicator	-
Digital countdown indicator	Ne
Salt light indicator	Yes
Rinse aid light indicator	Ne
Safety device	-
Adjustable upper basket	Yes
Largest loadable dish upper basket (cm)	0
Largest loadable dish lower basket (cm)	0
Maximum number of place settings (EU 2017/1369)	14
Column installation	Ne

## ENERGY LABEL

Energy Efficiency Class (Regulation (EU) 2017/1369)	E
Energy Consumption for 100 cycles Eco Programme (EU 2017/1369)	95
Power consumption in standby mode (Psm) (EU 2017/1369)	0,50
Power consumption in off-mode (Po) (EU 2017/1369)	0,00
The water consumption of the eco programme in liters per cycle (EU 2017/1369)	9,5
Airborne acoustical noise emissions (EU 2017/1369)	46
Airborne acoustical noise emission class (EU 2017/1369)	C
Programme duration in HMM (EU 2017/1369)	3:35