

Instructions for use

WASHING MACHINE

GB

GB

English, 1

AR

عربي, 15

IWSE 61051

Contents

Installation, 2-3-4-5

Unpacking and levelling
Connecting the electricity and water supplies
The first wash cycle
Technical data

Care and maintenance, 6

Cutting off the water or electricity supply
Cleaning the washing machine
Cleaning the detergent dispenser drawer
Caring for the door and drum of your appliance
Cleaning the pump
Checking the water inlet hose

Precautions and tips, 7

General safety
Disposal

Description of the washing machine, 8-9

Control panel
Display

Running a wash cycle, 10

Wash cycles and options, 11

Table of wash cycles
Wash options

Detergents and laundry, 12

Detergent dispenser drawer
Preparing the laundry
Special wash cycles
Load balancing system

Troubleshooting, 13

Service, 14

Installation

GB

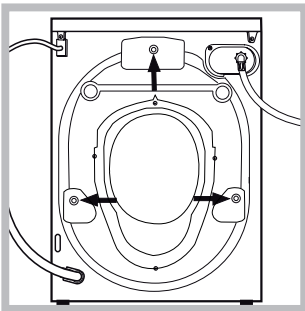
! This instruction manual should be kept in a safe place for future reference. If the washing machine is sold, transferred or moved, make sure that the instruction manual remains with the machine so that the new owner is able to familiarise himself/herself with its operation and features.

! Read these instructions carefully: they contain vital information relating to the safe installation and operation of the appliance.

Unpacking and levelling

Unpacking

1. Remove the washing machine from its packaging.
2. Make sure that the washing machine has not been damaged during the transportation process. If it has been damaged, contact the retailer and do not proceed any further with the installation process.



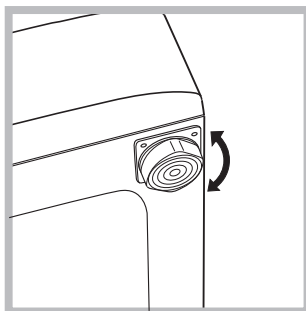
3. Remove the **3** protective screws and the rubber bush with the respective spacer, situated on the rear of the appliance (see also the installation leaflet).

4. Close off the holes using the plastic plugs provided.
5. Keep all the parts in a safe place: you will need them again if the washing machine needs to be moved to another location.

! Packaging materials should not be used as toys for children.

Levelling

1. Install the washing machine on a flat sturdy floor, without resting it up against walls, furniture cabinets or anything else.

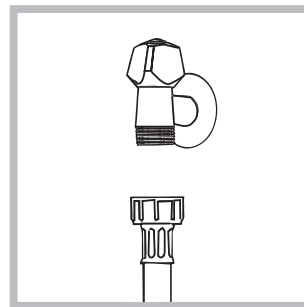


2. If the floor is not perfectly level, compensate for any unevenness by tightening or loosening the adjustable front feet (see figure); the angle of inclination, measured in relation to the worktop, must not exceed 2°.

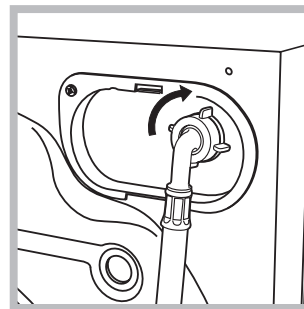
Levelling the machine correctly will provide it with stability, help to avoid vibrations and excessive noise and prevent it from shifting while it is operating. If it is placed on carpet or a rug, adjust the feet in such a way as to allow a sufficient ventilation space underneath the washing machine.

Connecting the electricity and water supplies

Connecting the water inlet hose



1. Connect the supply pipe by screwing it to a cold water tap using a $\frac{3}{4}$ gas threaded connection (see figure). Before performing the connection, allow the water to run freely until it is perfectly clear.



2. Connect the inlet hose to the washing machine by screwing it onto the corresponding water inlet of the appliance, which is situated on the top right-hand side of the rear part of the appliance (see figure).

3. Make sure that the hose is not folded over or bent.

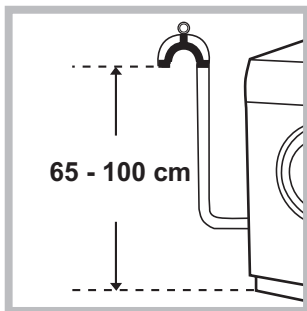
! The water pressure at the tap must fall within the values indicated in the Technical details table (see next page).

! If the inlet hose is not long enough, contact a specialised shop or an authorised technician.

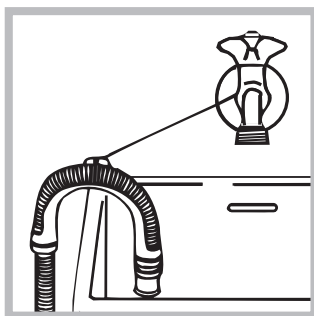
! Never use second-hand hoses.

! Use the ones supplied with the machine.

Connecting the drain hose



Connect the drain hose, without bending it, to a drainage duct or a wall drain located at a height between 65 and 100 cm from the floor;



alternatively, rest it on the side of a washbasin or bathtub, fastening the duct supplied to the tap (see figure). The free end of the hose should not be underwater.

! We advise against the use of hose extensions; if it is absolutely necessary, the extension must have the same diameter as the original hose and must not exceed 150 cm in length.

Electrical connections

Before plugging the appliance into the mains socket, make sure that:

- the socket is earthed and in compliance with the applicable law;
- the socket is able to sustain the appliance's maximum power load indicated on the Technical Data Plate fixed on the machine;
- the supply voltage is included within the values indicated on the Technical Data Plate fixed on the machine.
- the socket is compatible with the washing machine's plug. If this is not the case, replace the socket or the plug.

Your appliance is now supplied with a 13 amp fused plug it can be plugged into a 13 amp socket for immediate use. Before using the appliance please read the instructions below.

WARNING - THIS APPLIANCE MUST BE EARTHED.
THE FOLLOWING OPERATIONS SHOULD BE CARRIED OUT BY A QUALIFIED ELECTRICIAN.

Replacing the fuse:

When replacing a faulty fuse, a 13 amp ASTA approved fuse to BS 1362 should always be used, and the fuse cover re-fitted. If the fuse cover is lost, the plug must not be used until a replacement is obtained.

Replacement fuse covers:

If a replacement fuse cover is fitted, it must be of the correct colour as indicated by the coloured marking or the colour that is embossed in words on the base of the plug. Replacements can be obtained directly from your nearest Service Depot.

Removing the plug:

If your appliance has a non-rewireable moulded plug and you should wish to re-route the mains cable through partitions, units etc., please ensure that either:

the plug is replaced by a fused 13 ampere rewireable plug bearing the BSI mark of approval.

or:

the mains cable is wired directly into a 13 amp cable outlet, controlled by a switch, (in compliance with BS 5733) which is accessible without moving the appliance.

Disposing of the plug:

Ensure that before disposing of the plug itself, you make the pins unusable so that it cannot be accidentally inserted into a socket.

Instructions for connecting cable to an alternative plug:

Important: the wires in the mains lead are coloured in accordance with the following code:

Green & Yellow	Earth
Blue	Neutral
Brown	Live.

As the colours of the wires in the lead may not correspond with the coloured markings identifying the terminals in your plug, proceed as follows:

Connect Green & Yellow wire to terminal marked **E** or \equiv or coloured Green or Green & Yellow.

Connect Brown wire to terminal marked **L** or coloured Red.

Connect Blue wire to terminal marked **N** or coloured Black.

If a 13 amp plug (BS 1363) is used it must be fitted with a

13 amp fuse, either in the plug or adaptor or at the distribution board.

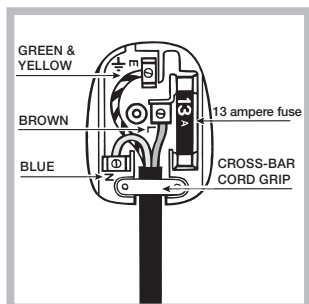
If you are in any doubt regarding the electrical supply to your machine, consult a qualified electrician before use.

How to connect an alternative plug:

The wires in this mains lead are coloured in accordance with the following code:

BLUE
BROWN
GREEN & YELLOW

NEUTRAL (N)
LIVE (L)
EARTH (E)



Disposing of the appliance:

When disposing of the appliance please remove the plug by cutting the mains cable as close as possible to the plug body and dispose of it as described on the previous page.

! The washing machine should not be installed in an outdoor environment, not even where the area is sheltered, because it may be very dangerous to leave it exposed to damp, rain and thunderstorms.

! When the washing machine is installed, the mains socket must be within easy reach.

! Do not use extensions or multiple sockets.



! The power supply cable must never be bent or dangerously compressed.

! The power supply cable must only be replaced by an authorised serviceman.

Warning! The company denies all liability if and when these norms are not respected.

The first wash cycle

Once the appliance has been installed, and before you use it for the first time, run a wash cycle with detergent and no laundry, using the wash cycle **5**.

Technical data	
Model	IWSE 61051
Dimensions	width 59.5 cm height 85 cm depth 42,4 cm
Capacity	from 1 to 6 kg
Electrical connections	please refer to the technical data plate fixed to the machine
Water connection	maximum pressure 1 MPa (10 bar) minimum pressure 0.05 MPa (0.5 bar) drum capacity 40 litres
Spin speed	up to 1000 rotations per minute
Energy rated programmes according to UAE.S. 5010 2:2013	programme 5; temperature 60°C; using a load of 6 kg.
 	This appliance conforms to the following EC Directives: - 2004/108/EC (Electromagnetic Compatibility) - 2012/19/EU- WEEE - 2006/95/EC Low Voltage)

Care and maintenance

GB

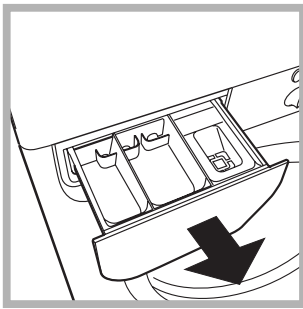
Cutting off the water and electricity supplies

- Turn off the water tap after every wash cycle. This will limit wear on the hydraulic system inside the washing machine and help to prevent leaks.
- Unplug the washing machine when cleaning it and during all maintenance work.

Cleaning the washing machine

The outer parts and rubber components of the appliance can be cleaned using a soft cloth soaked in lukewarm soapy water. Do not use solvents or abrasives.

Cleaning the detergent dispenser drawer



Remove the dispenser by raising it and pulling it out (see figure). Wash it under running water; this operation should be repeated frequently.

Caring for the door and drum of your appliance

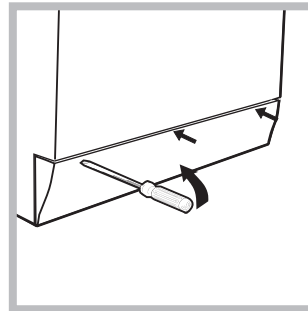
- Always leave the porthole door ajar in order to prevent unpleasant odours from forming.

Cleaning the pump

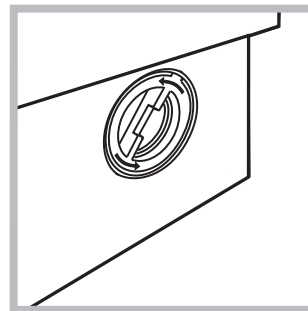
The washing machine is fitted with a self-cleaning pump which does not require any maintenance. Sometimes, small items (such as coins or buttons) may fall into the pre-chamber which protects the pump, situated in its bottom part.

! Make sure the wash cycle has finished and unplug the appliance.

To access the pre-chamber:



1. using a screwdriver, remove the cover panel on the lower front part of the washing machine (see figure);



2. unscrew the lid by rotating it anti-clockwise (see figure): a little water may trickle out. This is perfectly normal;

3. clean the inside thoroughly;
4. screw the lid back on;
5. reposition the panel, making sure the hooks are securely in place before you push it onto the appliance.

Checking the water inlet hose

Check the inlet hose at least once a year. If there are any cracks, it should be replaced immediately: during the wash cycles, water pressure is very strong and a cracked hose could easily split open.

! Never use second-hand hoses.

! This washing machine was designed and constructed in accordance with international safety regulations. The following information is provided for safety reasons and must therefore be read carefully.

General safety

- This appliance was designed for domestic use only.
- This appliance can be used by children aged from 8 years and above and persons with reduced physical, sensory or mental capabilities or lack of experience and knowledge if they have been given supervision or instruction concerning use of the appliance in a safe way and understand the hazards involved. Children shall not play with the appliance. Cleaning and user maintenance shall not be made by children without supervision.
- The washing machine must only be used by adults, in accordance with the instructions provided in this manual.
- Do not touch the machine when barefoot or with wet or damp hands or feet.
- Do not pull on the power supply cable when unplugging the appliance from the electricity socket. Hold the plug and pull.
- Do not open the detergent dispenser drawer while the machine is in operation.
- Do not touch the drained water as it may reach extremely high temperatures.
- Never force the porthole door. This could damage the safety lock mechanism designed to prevent accidental opening.
- If the appliance breaks down, do not under any circumstances access the internal mechanisms in an attempt to repair it yourself.
- Always keep children well away from the appliance while it is operating.
- The door can become quite hot during the wash cycle.
- If the appliance has to be moved, work in a group of two or three people and handle it with the utmost care. Never try to do this alone, because the appliance is very heavy.
- Before loading laundry into the washing machine, make sure the drum is empty.

Disposal

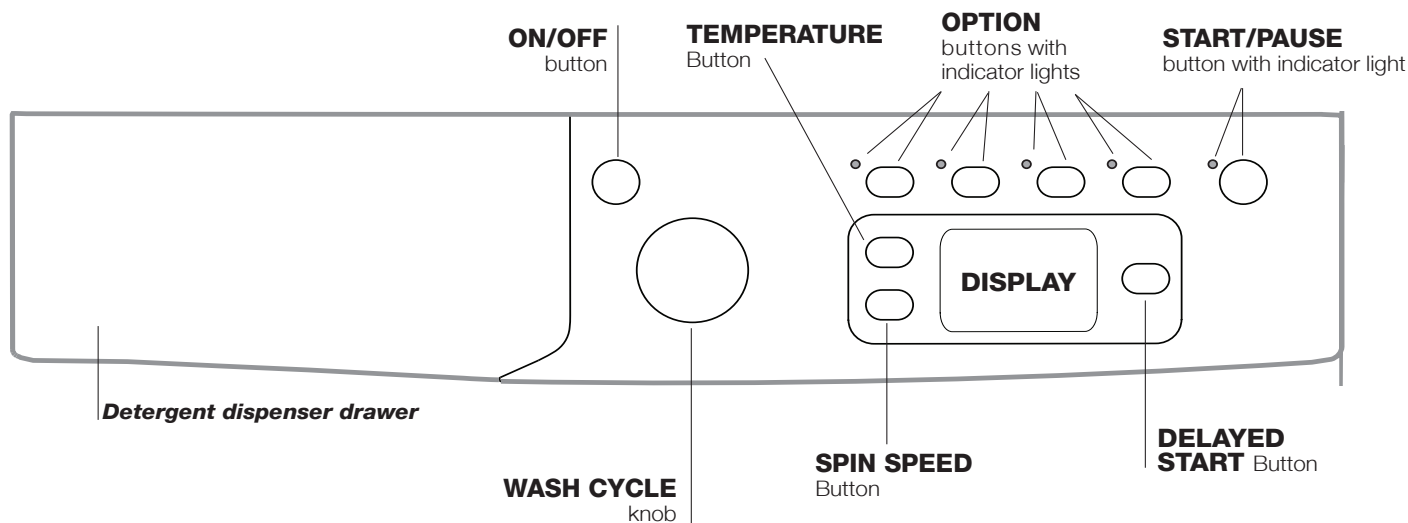
- Disposing of the packaging materials: observe local regulations so that the packaging may be re-used.
- The European Directive 2012/19/EU on Waste Electrical and Electronic Equipment, requires that old household electrical appliances must not be disposed of in the normal unsorted municipal waste stream. Old appliances must be collected separately in order to optimise the recovery and recycling of the materials they contain and reduce the impact on human health and the environment.

The crossed out “wheeled bin” symbol on the product reminds you of your obligation, that when you dispose of the appliance it must be separately collected. Consumers should contact their local authority or retailer for information concerning the correct disposal of their old appliance.


Description of the washing machine

Control panel

GB





Detergent dispenser drawer: used to dispense detergents and washing additives (see “Detergents and laundry”).


ON/OFF button : press this briefly to switch the machine on or off. The START/PAUSE indicator light, which flashes slowly in a green colour shows that the machine is switched on. To switch off the washing machine during the wash cycle, press and hold the button for approximately 2 seconds; if the button is pressed briefly or accidentally the machine will not switch off. If the machine is switched off during a wash cycle, this wash cycle will be cancelled.



WASH CYCLE knob: used to set the desired wash cycle (see “Table of wash cycles”).

OPTION buttons with indicator light: used to select the available options. The indicator light corresponding to the selected option will remain lit.

SPIN button : press to reduce or completely exclude the spin cycle - the value is indicated on the display.

TEMPERATURE button : press to decrease or completely exclude the temperature: the value will be shown on the display.

DELAYED START button : press to set a delayed start time for the selected wash cycle. The delay time will be shown on the display.

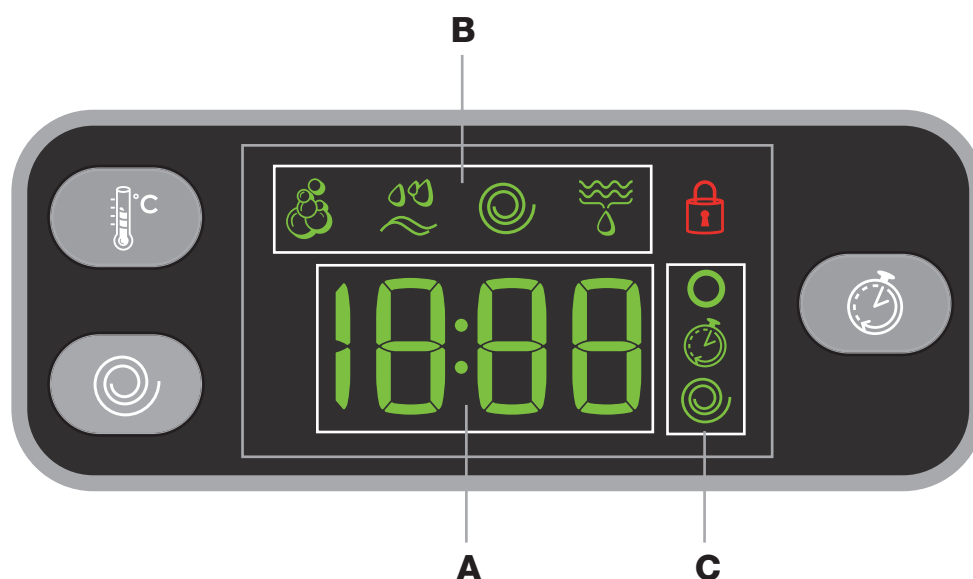
START/PAUSE button  with indicator light: when the green indicator light flashes slowly, press the button to start a wash cycle. Once the cycle has begun the indicator light will remain lit in a fixed manner. To pause the wash cycle, press the button again; the indicator light will flash in an orange colour. If the symbol  is not illuminated, the door may be opened (wait approximately 3 minutes). To start the wash cycle from the point at which it was interrupted, press the button again.

Standby mode

This washing machine, in compliance with new energy saving regulations, is fitted with an automatic standby system which is enabled after about 30 minutes if no activity is detected. Press the ON-OFF button briefly and wait for the machine to start up again.

Display

GB



The display is useful when programming the machine and provides a great deal of information.

The duration of the available programmes and the remaining time of a running cycle appear in section **A**; if the DELAY START option has been set, the countdown to the start of the selected programme will appear. Pressing the relative button, the machine automatically displays the maximum temperature and spin speed values set for the selected cycle, or the most recently-used settings if they are compatible with the selected cycle.

The “programme phases” relative to the selected programme and the “programme phase” of the running programme appear in section **B**:

- Wash
- Rinse
- Spin
- Drain

The icons corresponding to “temperature” , “Programmed start” and “spin” appear in section **C** from top to bottom:

If the symbol lights up, the display will visualise the set “temperature” value.

When a “delayed start” has been set, the symbol lights up.

If the symbol lights up, the display will visualise the set “spin” value.


Door locked symbol





The lit symbol indicates that the door is locked. To prevent any damage, wait until the symbol turns off before opening the door (wait approximately 3 minutes).



To open the door while a cycle is in progress, press the START/PAUSE button; if the DOOR LOCKED symbol is switched off the door may be opened (wait approximately 3 minutes).

Running a wash cycle

GB

1. **SWITCH THE MACHINE ON.** Press the  button; the START/PAUSE indicator light will flash slowly in a green colour.
2. **LOAD THE LAUNDRY.** Open the porthole door. Load the laundry, making sure you do not exceed the maximum load value indicated in the table of programmes on the following page.
3. **MEASURE OUT THE DETERGENT.** Pull out the detergent dispenser drawer and pour the detergent into the relevant compartments as described in *"Detergents and laundry"*.
4. **CLOSE THE DOOR.**
5. **SELECT THE WASH CYCLE.** Set the WASH CYCLE knob to the desired programme; a temperature and spin speed is set for each wash cycle; these may be adjusted. The duration of the cycle will appear on the display.
6. **CUSTOMISE THE WASH CYCLE.** Use the relevant buttons:

  **Modifying the temperature and/or spin speed.** The machine automatically displays the maximum temperature and spin speed values set for the selected cycle, or the most recently-used settings if they are compatible with the selected cycle. The temperature can be decreased by pressing the  button, until the cold wash "OFF" setting is reached. The spin speed may be progressively reduced by pressing the  button, until it is completely excluded (the "OFF" setting). If these buttons are pressed again, the maximum values are restored.

 **Setting a delayed start.** To set a delayed start for the selected programme, press the corresponding button repeatedly until the required delay period has been reached. When this option is enabled, the  symbol lights up on the display. To remove the delayed start option press the button until the text "OFF" appears on the display.




Modifying the cycle settings.


- Press the button to enable the option; the indicator light corresponding to the button will switch on.
- Press the button again to disable the option; the indicator light will switch off.

! If the selected option is not compatible with the programmed wash cycle, the indicator light will flash and the option will not be activated.

! If the selected option is not compatible with another option which has been selected previously, the indicator light corresponding to the first option selected will flash and only the second option will be activated; the indicator light corresponding to the enabled option will remain lit.

! The options may affect the recommended load value and/or the duration of the cycle.

7. **START THE PROGRAMME.** Press the START/PAUSE button. The corresponding indicator light will become green, remaining lit in a fixed manner, and the door will be locked (the DOOR LOCKED symbol  will be on). To change a wash cycle while it is in progress, **pause the washing machine** using the START/PAUSE button (the START/PAUSE indicator light will flash slowly in an orange colour); then select the desired cycle and press the START/PAUSE button again. To open the door while a cycle is in progress, press the START/PAUSE button; if the DOOR LOCKED  symbol is switched off the door may be opened (wait approximately 3 minutes). Press the START/PAUSE button again to restart the wash cycle from the point at which it was interrupted.
8. **THE END OF THE WASH CYCLE.** This will be indicated by the text "END" on the display; when the DOOR LOCKED  symbol switches off the door may be opened (wait approximately 3 minutes). Open the door, unload the laundry and switch off the machine.

! If you wish to cancel a cycle which has already begun, press and hold the  button. The cycle will be stopped and the machine will switch off.

Wash cycles and options

Table of wash cycles

Wash cycles	Description of the wash cycle	Max. temp. (°C)	Max. speed (rpm)	Detergents			Max. load (kg)	Cycle duration	
				Pre-wash	Wash	Fabric softener			
Daily									
1	White prewash: extremely soiled whites.	90°	1000	●	●	●	6	** The duration of the wash cycles can be checked on the display.	
2	Mix Colored: lightly soiled whites and delicate colours.	40°	1000	-	●	●	6		
3	Synthetics: heavily soiled resistant colours.	60°	1000	-	●	●	3		
4	Synthetics: lightly soiled resistant colours.	40°	1000	-	●	●	3		
5	Eco Cotton 60° (1): heavily soiled whites and resistant colours.	60°	1000	-	●	●	6		
5	Eco Cotton 40°: lightly soiled whites and delicate colours.	40°	1000	-	●	●	6		
20° Zone									
6	Cotton Standard 20°: lightly soiled whites and delicate colours.	20°	1000	-	●	●	6		
7	Mix Light	20°	1000	-	●	●	6		
8	20° Refresh	20°	800	-	●	●	1,5		
Special									
9	Silk/Curtains: for garments in silk and viscose, lingerie.	30°	0	-	●	●	1		
10	Wool: for wool, cashmere, etc.	40°	800	-	●	●	1		
11	Jeans	40°	800	-	●	●	2,5		
Sport									
12	Sport Intensive	30°	600	-	●	●	2,5		
13	Sport Light	30°	600	-	●	●	2,5		
14	Sport Shoes	30°	600	-	●	●	Max. 2 Pairs		
Partial wash cycles									
	Rinse	-	1000	-	-	●	6		
	Spin + Drain	-	1000	-	-	-	6		
	Drain only *	-	OFF	-	-	-	6		

* If you select programme and exclude the spin cycle, the machine will drain only.

The length of cycle shown on the display or in this booklet is an estimation only and is calculated assuming standard working conditions. The actual duration can vary according to factors such as water temperature and pressure, the amount of detergent used, the amount and type of load inserted, load balancing and any wash options selected.

For all Test Institutes:

1) Test wash cycle in compliance with regulation UAE.S. 5010 2:2013: set wash cycle 5 with a temperature of 60°C.

Wash options

- If the selected option is not compatible with the programmed wash cycle, the indicator light will flash and the option will not be activated.
- If the selected option is not compatible with another option which has been selected previously, the indicator light corresponding to the first option selected will flash and only the second option will be activated; the indicator light corresponding to the enabled option will remain lit.

EcoTime

Selecting this option enables you to suitably adjust drum rotation, temperature and water to a reduced load of lightly soiled cotton and synthetic fabrics (refer to the "Programme table"). "EcoTime" enables you to wash in less time thereby saving water and electricity. We suggest using a liquid detergent suitably measured out to the load quantity.

Energy Saver

The Energy Saver function saves energy by not heating the water used to wash your laundry - an advantage both to the environment and to your energy bill.

Instead, intensified wash action and water optimisation ensure great wash results in the same average time of a standard cycle. For the best washing results we recommend the usage of a liquid detergent.

Extra Rinse

By selecting this option, the efficiency of the rinse is increased and optimal detergent removal is guaranteed. It is particularly useful for sensitive skin.

Easy Iron

By selecting this function, the wash and spin cycles will be modified in order to reduce the formation of creases. At the end of the cycle the washing machine will perform slow rotations of the drum; the indicator lights for the EASY IRON and START/PAUSE options will flash (the first one green, the second orange). To end the cycle, press the START/PAUSE button or the EASY IRON button. For the **Silk** wash cycle, the machine will end the cycle while the laundry is soaking and the EASY IRON and START/PAUSE indicator lights will flash. To drain the water so that the laundry may be removed, press the START/PAUSE button or the EASY IRON button.

Detergents and laundry

GB

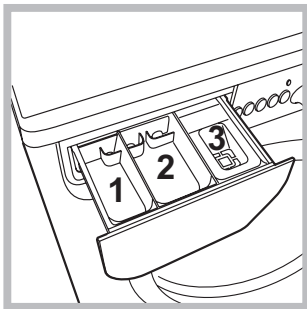
Detergent dispenser drawer

Good washing results also depend on the correct dose of detergent: adding too much detergent will not necessarily result in a more efficient wash, and may in fact cause build up on the inside of your appliance and contribute to environmental pollution.

! Do not use hand washing detergents because these create too much foam.

! Use powder detergent for white cotton garments, for pre-washing, and for washing at temperatures over 60°C.

! Follow the instructions given on the detergent packaging.



Open the detergent dispenser drawer and pour in the detergent or washing additive, as follows.

compartment 1: Pre-wash detergent (powder)
compartment 2: Detergent for the wash cycle (powder or liquid)

Liquid detergent should only be poured in immediately prior to the start of the wash cycle.

compartment 3: Additives (fabric softeners, etc.)
The fabric softener should not overflow the grid.

Preparing the laundry

- Divide the laundry according to:
 - the type of fabric/the symbol on the label
 - the colours: separate coloured garments from whites.
- Empty all garment pockets and check the buttons.
- Do not exceed the values listed in the "Table of wash cycles", which refer to the weight of the laundry when dry.

How much does your laundry weigh?

- 1 sheet 400-500 g
- 1 pillow case 150-200 g
- 1 tablecloth 400-500 g
- 1 bathrobe 900-1200 g
- 1 towel 150-250 g

Special wash cycles

The 20° wash cycles (20° Zone) offer effective washing performance at low temperatures, reducing electricity usage and expenditure while benefitting the environment. The 20° wash cycles meet all requirements:


Cotton Standard 20° (programme 6) ideal for lightly soiled cotton loads. The effective performance levels achieved at cold temperatures, which are comparable to washing at 40°, are guaranteed by a mechanical action which operates at varying speed, with repeated and frequent peaks.

Mix Light (programme 7) ideal for mixed loads (cotton and synthetics) with a normal soil level. The effective performance levels achieved at cold temperatures are guaranteed by a mechanical action which operates at varying speed, across set average intervals.

20' Refresh (programme 8) ideal for refreshing and washing lightly soiled garments in a few minutes. It lasts just 20 minutes and therefore saves both time and energy. It can be used to wash different types of fabrics together (except for wool and silk), with a maximum load of 1.5 kg.

Silk: use special wash cycle 9 to wash all silk garments. We recommend the use of special detergent which has been designed to wash delicate clothes.

Curtains: fold curtains and place them in a pillow case or mesh bag. Use wash cycle 9.

Wool: all wool garments can be washed using programme 10, even those carrying the "hand-wash only"  label. For best results, use special detergents and do not exceed 1 kg of laundry.

Jeans: Turn garments inside-out before washing and use a liquid detergent. Use programme 11.

Sport Intensive (wash cycle 12) is for washing heavily soiled sports clothing fabrics (tracksuits, shorts, etc.); for best results, we recommend not exceeding the maximum load indicated in the "Table of wash cycles".

Sport Light (wash cycle 13) is for washing lightly soiled sports clothing fabrics (tracksuits, shorts, etc.); for best results, we recommend not exceeding the maximum load indicated in the "Table of wash cycles". We recommend using a liquid detergent and dosage suitable for a half-load.

Sport Shoes (wash cycle 14) is for washing sports shoes; for best results, do not wash more than 2 pairs simultaneously.

Load balancing system

Before every spin cycle, to avoid excessive vibrations and to distribute the load in a uniform manner, the drum rotates continuously at a speed which is slightly greater than the washing rotation speed. If, after several attempts, the load is not balanced correctly, the machine spins at a reduced spin speed. If the load is excessively unbalanced, the washing machine performs the distribution process instead of spinning. To encourage improved load distribution and balance, we recommend small and large garments are mixed in the load.

Your washing machine could fail to work. Before contacting the Technical Assistance Centre (see "Assistance"), make sure that the problem cannot be solved easily using the following list.

Problem:

Possible causes / Solutions:

The washing machine does not switch on.

- The appliance is not plugged into the socket fully, or is not making contact.
- There is no power in the house.

The wash cycle does not start.

- The washing machine door is not closed properly.
- The ON/OFF button has not been pressed.
- The START/PAUSE button has not been pressed.
- The water tap has not been opened.
- A delayed start has been set..

The washing machine does not take in water ("H2O" will flash on the display).

- The water inlet hose is not connected to the tap.
- The hose is bent.
- The water tap has not been opened.
- There is no water supply in the house.
- The pressure is too low.
- The START/PAUSE button has not been pressed.

The washing machine continuously takes in and drains water.

- The drain hose is not fitted at a height between 65 and 100 cm from the floor (see "Installation").
- The free end of the hose is under water (see "Installation").
- The wall drainage system is not fitted with a breather pipe.

If the problem persists even after these checks, turn off the water tap, switch the appliance off and contact the Assistance Service. If the dwelling is on one of the upper floors of a building, there may be problems relating to water drainage, causing the washing machine to fill with water and drain continuously. Special anti-draining valves are available in shops and help to avoid this inconvenience.

The washing machine does not drain or spin.

- The wash cycle does not include draining: some wash cycles require the drain phase to be started manually.
- The "Easy iron" option has been activated: To complete the wash cycle, press the START/PAUSE button (see "Wash cycles and options").
- The drain hose is bent (see "Installation").
- The drainage duct is clogged.

The washing machine vibrates a lot during the spin cycle.

- The drum was not unlocked correctly during installation (see "Installation").
- The washing machine is not level (see "Installation").
- The washing machine is trapped between cabinets and walls (see "Installation").

The washing machine leaks.

- The water inlet hose is not screwed on properly (see "Installation").
- The detergent dispenser drawer is blocked (for cleaning instructions, see "Care and maintenance").
- The drain hose is not fixed properly (see "Installation").

The "option" indicator lights and the "start/pause" indicator light flash and an error code appears on the display (e.g.: F-01, F-..).

- Switch off the machine and unplug it, wait for approximately 1 minute and then switch it back on again.
- If the problem persists, contact the Technical Assistance Service.

There is too much foam.

- The detergent is not suitable for machine washing (it should display the text "for washing machines" or "hand and machine wash", or the like).
- Too much detergent was used.

Service

GB

Before calling for Assistance:

- Check whether you can solve the problem alone (see “*Troubleshooting*”);
- Restart the programme to check whether the problem has been solved;
- If this is not the case, contact an authorised Technical Assistance Centre using the telephone number provided on the guarantee certificate.

! Always request the assistance of authorised technicians.

Have the following information to hand:

- the type of problem;
- the appliance model (Mod.);
- the serial number (S/N).

This information can be found on the data plate applied to the rear of the washing machine, and can also be found on the front of the appliance by opening the door.

المحتويات

التركيب، %! %! %! %*
إفراغ المحتويات وتحديد المستوى
وصل إمدادات الكهرباء والماء
دورة الغسيل الأولى
البيانات التقنية

وصف ماكينة الغسيل، &% &\$
لوحة التحكم
شاشة العرض

تشغيل دورة غسيل، &&

دورات الغسيل والخيارات، &'
جدول دورات الغسيل
خيارات الغسيل

مواد التنظيف والغسيل، &()
درج وعاء مواد التنظيف
تحضير الغسيل
دورات الغسيل الخاصة
نظام موازنة الحمل

وسائل حذر ونصائح، &)
الوقاية العامة
التخلص

العناية والصيانة، &*
قطع إمداد الماء أو الكهرباء
تنظيف ماكينة الغسيل
تنظيف درج وعاء مواد التنظيف
العناية بباب ويرميل الجهاز لديك
تنظيف المضخة
فحص خرطوم إدخال الماء

استكشاف المشاكل وحلها، &+)

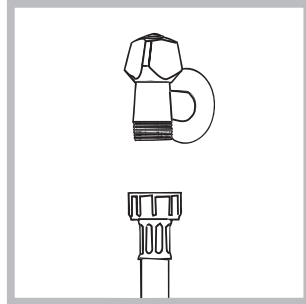
الخدمة، &)

تحديد مستوى الماكينة بشكل صحيح سيمنعها الثبات، سيساعد على تحاشي الارتجاجات والضجيج الزائد وسيمنعها من الانحراف أثناء العمل. إذا تم وضعها في خزانة أو على بساط، قم بمعايرة الأرجل بنفس الطريقة لتوفير مساحة تهوية كافية تحت ماكينة الغسيل.

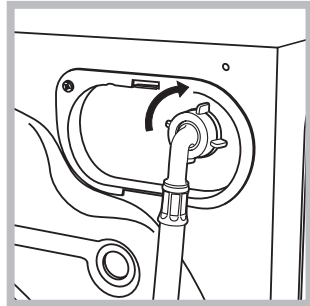
وصل إمدادات الكهرباء والماء

وصل خرطوم إدخال الماء

1. قم بوصل خرطوم التزويد بواسطة تثبيته لولبيا في حنفية الماء البارد باستخدام توصيل غاز ¼ ممدد (انظر الرسم).
قبل إنجاز التوصيل، أتح للماء أن يتدفق بحرية حتى يصبح نظيفا تماما.



2. قم بتوصيل فتحة المدخل بماكينة الغسيل، عن طريق تثبيتها لولبيا داخل مدخل الماء الملائم في الجهاز، الموجود في الجهة اليمنى العليا في الجزء الخلفي من الجهاز (انظر الرسم).



3. تأكد من أن الفوهة غير مثنية أو معوجة.

! على ضغط الماء في الحنفية أن يكون في نطاق القيم المشار إليها في جدول البيانات التقنية (انظر الصفحة التالية).

! إذا لم يكن خرطوم الإدخال طويلا بما فيه الكفاية، اتصل بمتجر متخصص أو بفني معتمد.

! لا تستخدم الخراطيم المستعملة أبدا.

! استخدم تلك المرفقة بالماكينة.

! يجب الاحتفاظ بدليل التعليمات هذا في مكان آمن لمراجعته في المستقبل. إذا تم بيع الجهاز، إرساله أو نقله، تأكد من أن دليل التعليمات قد أرفق بالماكينة بحيث يتمكن مالكوها الجدد من التعرف على عملها وخصائصها.

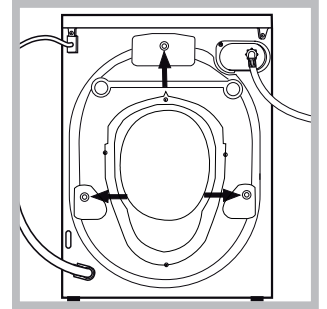
! اقرأ هذه التعليمات بعناية: إنها تحتوي على معلومات هامة فيما يتعلق بالتركيب الآمن وتشغيل الجهاز.

إفراغ المحتويات وتحديد المستوى

إفراغ المحتويات

1. أخرج ماكينة الغسيل من رزمتها.
2. تأكد من أنه لم يلحق ضرر بماكينة الغسيل خلال عملية الشحن. إذا لحق بها ضرر، اتصل بالموزع ولا تنفذ أية عملية تركيب إضافية.

3. أزل البراغي الأربعة الو3 اقية (المستخدمة خلال الشحن) ومطاط الماكينة مع حافظ المسافة الملائم الموجود في الجهة الخلفية من الجهاز (انظر الرسم).



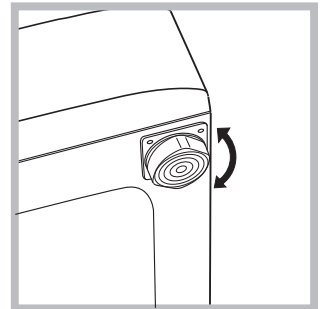
4. أغلق الفتحات باستخدام الأغشية البلاستيكية المزودة.
5. أبق كل الأجزاء في مكان آمن: سوف تحتاجها مرة أخرى في حال تم نقل ماكينة الغسيل إلى موقع آخر.

! يجب عدم استخدام مواد التعبئة كالعاب للأولاد.

تحديد المستوى

1. قم بتركيب ماكينة الغسيل على أرضية مستوية ومثينة، من دون وضعها مقابل الجدران، الخزائن، الأثاث أو أي أمر آخر.

2. إذا لم تكن الأرضية مستوية تماما، قم بتعويض أي تفاوت بواسطة شد أو فك أرجل المعايرة الأمامية (انظر الرسم)؛ على قياس زاوية الانحناء مقارنة بمسطح العمل، ألا يتعدى 2°.



وصل خرطوم تصريف الماء

يرجى قراءة المعلومات أدناه.
تحذير - يجب أن يكون هذا الجهاز مؤرّضاً.
يجب تنفيذ العمليات التالية من قبل أخصائي كهرباء مؤهل.

عند تبديل مصهر معطوب، من مصهر ASTA 13 أمبير معتمد إلى BS 1362 يجب أن يكون دائماً مستخدماً، وإعادة ملاءمة غلاف المصهر. في حال فقدان غلاف المصهر، لا يجب استخدام القابس إلا عند الحصول على بديل.

في حال كان بديل غلاف المصهر ملائماً، يجب أن يكون من اللون الصحيح المشار إليه في مفتاح الألوان أو اللون البارز بالكلمات على قاعدة القابس. يمكن الحصول على قطع الغيار من أقرب مركز خدمة إليك.

إذا كان جهازك مزوداً بقابس معطوب لا يمكن إعادة تغليفه، وأنت ترغب في إعادة توجيه كبل شبكة الكهرباء الرئيسية عبر التوزيعات، الوحدات وغيرها، الرجاء تأكد من: أنه قد تم تبديل القابس بقابس يمكن إعادة تغليفه ومصهره 13 أمبير يحمل علامة BSI للاعتماد.

أو:
كبل تزويد الشبكة الرئيسية موصل بمخرج 13 أمبير للكبل، يتحكم به مفتاح كهربائي (متوافق مع BS 5733) يسهل الوصول إليه دون تحريك الجهاز.

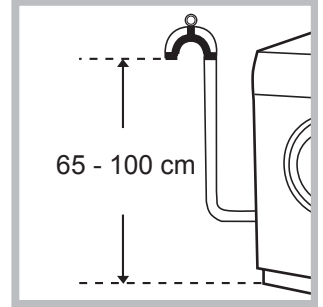
التخلص من الجهاز:

تأكد قبل التخلص من الجهاز أن الشُّعب غير قابلة للاستخدام

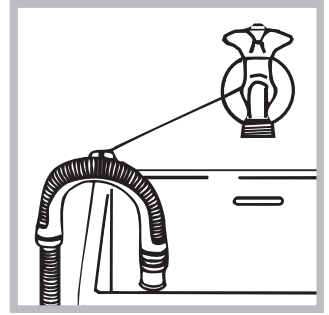
تعليمات توصيل الكبل بقابس بديل:
هام: الأسلاك في توصيل شبكة الكهرباء الرئيسية ملونة وفق الكود التالي:

أخضر	وأصفر الأرضي
أزرق	محديد
بنّي	تيار

قم بتوصيل خرطوم تصريف الماء، من دون ثنيه، بأنبوب تصريف أو بتصريف جداري على ارتفاع يتراوح بين 65 وحتى 100 سم عن الأرض؛



أو قم بثنيتها على طرف الحوض أو المغسلة، مع تثبيت الأنبوب المزود بالحنفية (أنظر الرسم). على الطرف الحر من الخرطوم ألا يكون تحت الماء.



! نحن لا ننصح باستخدام إطلاات الخرطوم؛ إذا كان ذلك ضروريا جداً، فعلى الإطلاات أن تكون بنفس قطر الخرطوم الأصلي على ألا يتعدى طوله 150 سم.

التوصيلات الكهربائية

قبل توصيل الجهاز بمصدر الطاقة، تأكد من أن:

- المقبس مؤرّض ويذعن لكل القوانين الواجب تطبيقها؛
- المقبس قادر على تحمل عبء الطاقة القصوى للجهاز، كما هو مبين في شريحة البيانات التقنية المثبتة على الماكينة؛
- الجهد الكهربائي لمصدر التيار في نطاق يتراوح بين القيم المشار إليها في لوحة البيانات الموجودة على الماكينة.

المقبس متوافق مع قابس الماكينة. إذا لم يكن الأمر كذلك، قم بتبديل المقبس أو القابس.

إن جهازك الآن مزود بقابس مصهر 13 أمبير، ويمكن إدخاله إلى مقبس 13 أمبير للاستخدام الفوري. قبل استخدام الجهاز،

دورة الغسيل الأولى

بعد الانتهاء من تركيب الجهاز، وقبل استخدامه للمرة الأولى، قم بتشغيل دورة غسيل مستخدماً مواد التنظيف من دون غسيل، باستخدام دورة الغسيل **5**

في حال لم تتوافق ألوان الأسلاك في التوصيل مع مفاتيح الألوان المعرفة في أطراف القابس لديك، تصرف على النحو التالي:
قم بتوصيل السلك الأخضر والأصفر بالنهاية المشار إليها بـ **E** أو **⊥** باللون الأخضر أو الأخضر والأصفر.
قم بتوصيل السلك البني بالنهاية المشار إليها بـ **L** أو الملونة باللون الأحمر.
قم بتوصيل السلك الأزرق بالنهاية المشار إليها بـ **N** أو الملونة باللون الأسود.

في حال تم استخدام قابس 13 أمبير (BS 1363) يجب أن يتلاءم مع مصهر 13 أمبير، إما في القابس أو في المحوّل أو في لوحة التوزيع.
إذا كان لديك أي شك بخصوص التزويد الكهربائي للماكينة لديك، قم باستشارة أخصائي كهرباء مؤهل قبل الاستخدام.
كيفية وصل قابس بديل:

الأسلاك في توصيل شبكة الكهرباء الرئيسية ملونة وفق الكود التالي:

حايد (N)

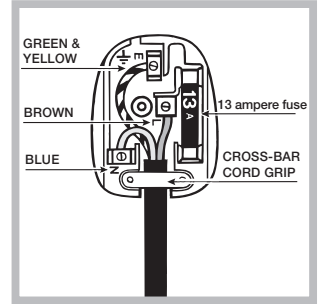
يار (L)

أرضي (E)

أزرق

بني

أخضر وأصفر



التخلص من الجهاز:

عند التخلص من الجهاز، الرجاء أزل القابس بواسطة قطع كبل الشبكة الكهربائية أقرب ما يكون إلى هيكل القابس وتخلص منه كما هو مبين في الصفحة السابقة.

! يجب عدم تركيب ماكينة الغسيل في مكان مفتوح، حتى وإن كان هذا المكان له سقفاً، وذلك لأنه من الخطر للغاية ترك الماكينة معرضة للرطوبة والأمطار والعواصف الرعدية.

! عند تركيب ماكينة الغسيل، يجب أن تكون مقبس التيار الكهربائي سهل الوصول إليه.

! لا تستخدم كبلات الإطالة أو المقابس المتعددة.

! يجب ألا يكون كبل مصدر الطاقة معوجاً أو مضغوطاً بشكل زائد.

! يجب ألا يتم استبدال كبل الطاقة إلا بواسطة فني الخدمة المعتمد.

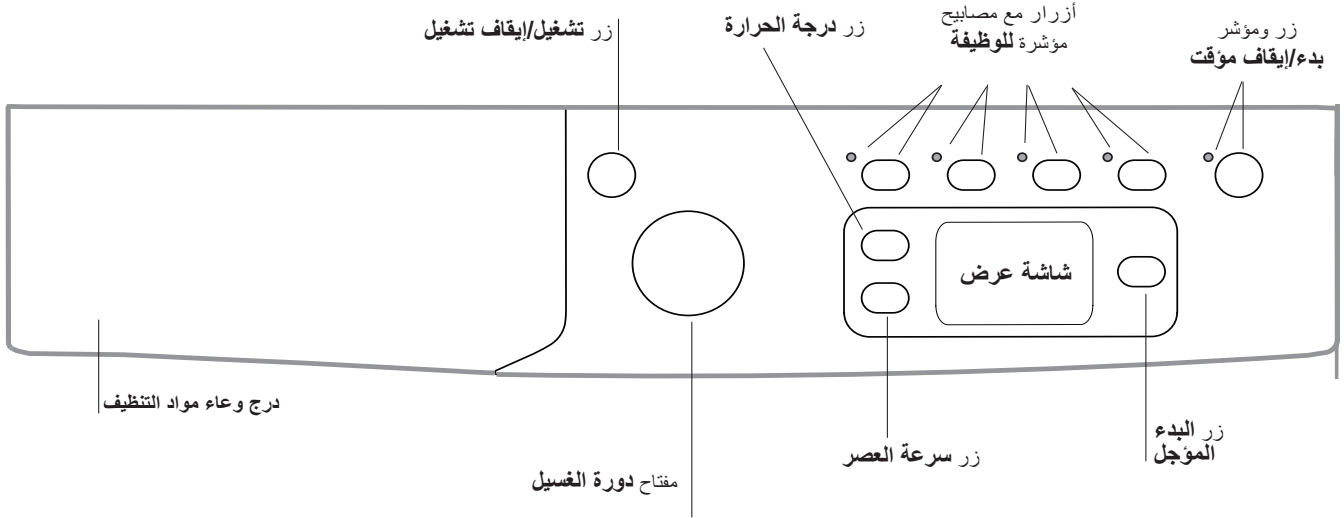
تحذير! لا تتحمل الشركة أية مسؤولية في حال عدم التقيد بهذه القواعد.

بيانات تقنية	
الطراز	IWSE 61051
الأبعاد	العرض 59.5 سم الارتفاع 85 سم العمق 42,4 سم
السعة	من 1 وحتى 6 كغم
التوصيلات الكهربائية	الرجاء راجع لوحة البيانات التقنية الملتصقة على الماكينة
توصيلات الماء	الضغط الأقصى 1 MPa (10 بار) الضغط الأدنى 0.05 MPa (0.5 بار) سعة البرميل 40 لتر
سرعة الدوران	حتى 1000 دورة في الدقيقة
برامج تنقي يم الطاقة وفق التنظيمات	برنامج 5؛ درجة الحرارة 06 درجة مئوية؛ باستخدام حمل مقداره 6 كغم. UAE.S. 5010 2:2013
<p>يذعن هذا الجهاز لإرشادات EC:</p> <p>2006/95/EC - (جهد منخفض)</p> <p>89/336/EEC - من تاريخ 03/05/89 (تطابق المغناطيسية الكهربائية) والتعديلات اللاحقة</p> <p>WEEE - 2012/19/EU -</p>	 

وصف ماكينة الغسيل

AR

لوحة التحكم



زر **البدء المؤجل** (⌚): اضغط هذا الزر لإعداد بدء الوقت المؤجل لدورة الغسيل المختارة. ستم إظهار الوقت المؤجل في العرض.

زر ومؤشر **بدء/إيقاف مؤقت** (⏸): عندما يومض المؤشر الأخضر ببطء، اضغط على الزر لبدء دورة الغسيل. بعد بدء دورة الغسيل سيضيء المؤشر وسيبقى مضاء بشكل ثابت. لإيقاف دورة الغسيل بشكل مؤقت، اضغط الزر مرة أخرى؛ سيومض المصباح المؤشر باللون البرتقالي. في حال لم يضيء الرمز (⏸) يمكن للباب أن يكون مفتوحا. لبدء دورة الغسيل من النقطة التي تم اعتراضها فيها، اضغط هذا الزر مرة أخرى.

نمط الانتظار

عند انتهاء الدورة، أو إذا تم تشغيل ماكينة الغسيل ولم يتم تشغيل دورة غسيل، فسوف تنطفئ بعد بضع دقائق بهدف تقليل استهلاك الطاقة. لإعادة تشغيل الماكينة

درج وعاء مواد التنظيف: يتم استخدامه لتوزيع مواد التنظيف ومضافات الغسيل (انظر "مواد التنظيف والغسيل").

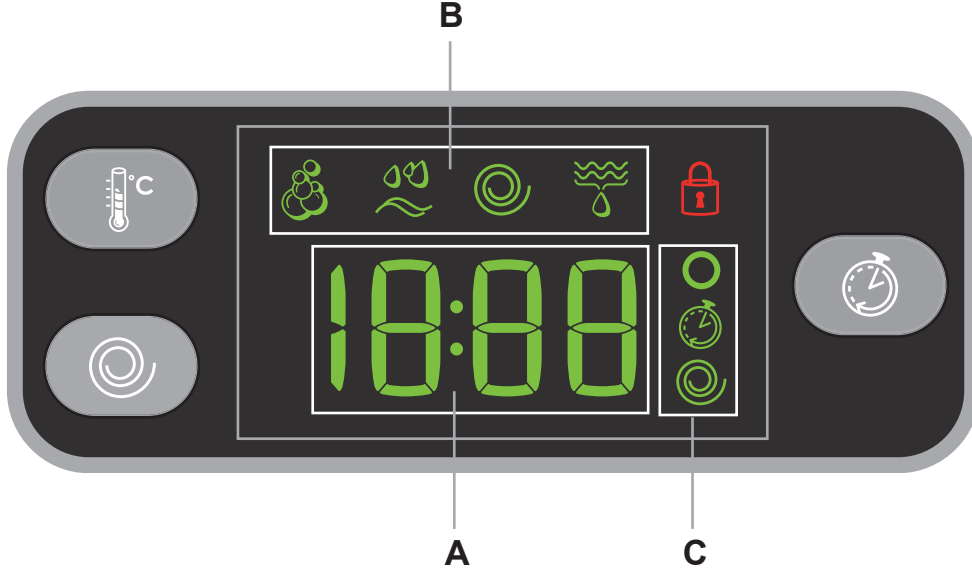
زر **تشغيل/إيقاف تشغيل** (⏻): اضغط هذا الزر لضغطة قصيرة لتشغيل الماكينة أو إيقاف تشغيلها. يشير المصباح المؤشر بدء/إيقاف مؤقت عندما يومض ببطء باللون الأخضر إلى أن الماكينة قد تم تشغيلها. لإيقاف تشغيل ماكينة الغسيل خلال دورة غسيل، اضغط ضغطا متواصلا على الزر لحوالي ثانيتين؛ ضغط الزر بسرعة أو عن طريق الخطأ لن يوقف عمل الماكينة. إذا تم إيقاف تشغيل الماكينة خلال دورة غسيل، سيتم إلغاء دورة الغسيل.

مفتاح **دورة الغسيل**: يستخدم لإعداد دورة الغسيل المرغوب بها (انظر "جدول دورات الغسيل").

أزرار مع مصابيح مؤشر للخيار: يتم استخدامه لاختيار الخيارات المتوفرة. المصباح المؤشر الملائم للخيار المختار سيضيء مضاء.

زر **العصر** (⏻): اضغط هذا الزر لتقليل عدد الدورات في الدقيقة أو لمنع عمل دورة العصر تماما - سيتم عرض القيمة على الشاشة.

زر **درجة الحرارة** (°C): اضغط هذا الزر لخفض درجة الحرارة أو استئنائها نهائيا: ستم إظهار القيمة في العرض.




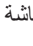




يتم استخدام شاشة العرض عند برمجة الماكينة وهي تقدم معلومات هامة جدا.


مدة البرامج المتوفرة والوقت المبقي لدورة غسيل مشغلة يظهران على المقطع **A**; إذا كان خيار البدء المؤجل معداً، سيظهر العد التنازلي لبدء البرنامج المختار. الضغط على الزر الملائم يوفر لك أن تتخيل الحد الأقصى من قيم "سرعة العصر" و"درجة الحرارة" التي تبلغها الماكينة خلال إعداد البرنامج.

«مراحل البرنامج» الملائمة للبرنامج المختار و«مرحلة البرنامج» الخاصة بالبرنامج المشغل تظهر على المقطع **B**:

- غسيل
- شطف
- عصر
- تصريف

الرموز الملائمة «لدرجة الحرارة» , «بدء البرمجة»  و«العصر»  تظهر على المقطع **C** من الأعلى إلى الأسفل: إذا أضاء الرمز  فسوف تعرض الشاشة قسمة «درجة الحرارة». سيضيء الرمز  عندما يتم إعداد بدء مؤجل. إذا أضاء الرمز  فسوف تعرض الشاشة قيمة «العصر».




رمز إقفال الباب 

الرمز المضاء يشير إلى أن الباب مقفل. لتحاشي أي تلف، انتظر حتى ينطفئ الرمز قبل فتح الباب. لفتح الباب خلال دورة قيد العمل، اضغط زر بدء/إيقاف مؤقت؛ إذا انطفأ ضوء المصباح المؤشر إغلاق الباب  يمكن للباب أن يكون مفتوحاً (انتظر حوالي 3 دقائق).


تشغيل دورة غسيل

AR

1. قم بتشغيل ماكينة الغسيل. اضغط زر (⏻)؛ سيومض مؤشر بدء/إيقاف مؤقت ببطء باللون الأخضر.
2. قم بتحميل الغسيل. افتح باب الفتحة أدخل الغسيل، وتأكد من أنك لا تتعدى الحد الأقصى من قيمة الحمل المشار إليها في جدول البرامج في الصفحة التالية.
3. قم بقياس مواد التنظيف. اسحب درج مواد التنظيف واسكب مواد التنظيف داخل الحجرات الملائمة كما تم وصفها في "مواد التنظيف والغسيل".
4. أغلق الباب.
5. اختر دورة الغسيل. قم بإعداد مفتاح دورة الغسيل للبرنامج المختار؛ يتم إعداد درجة الحرارة وسرعة العصر لكل دورة غسيل؛ يمكن تعديلها أيضاً. سيتم إظهار مدة دورة الغسيل على شاشة العرض.
6. قم بتخصيص دورة الغسيل. استخدم الأزرار الملائمة:

⊙  **تعدّل درجة الحرارة و/أو سرعة العصر.** تختار الماكينة درجة الحرارة وسرعة العصر القصوى أوتوماتيكياً للبرنامج المختار ومن الممكن ألا تكون هذه القيم قابلة للزيادة. يمكن تقليل درجة الحرارة بالضغط على الزر  حتى الوصول إلى إعداد الغسيل البارد «OFF». يمكن تقليل سرعة العصر تدريجياً بالضغط على الزر  حتى يتم إلغاؤه (الإعداد «OFF»). إذا تم ضغط هذه الأزرار مرة أخرى، فسيتم استرداد القيم القصوى.

⊙ إعداد وقت البدء المؤجل



لإعداد البدء المؤجل لبرنامج مختار، اضغط على الزر الملائم لضغطاً متواصلًا، حتى يتم الوصول إلى الفترة المؤجلة. عند تنشيط هذا الخيار سيظهر الرمز  على شاشة العرض. لإزالة خيار البدء المؤجل، اضغط على الزر حتى يظهر النص "OFF" على شاشة العرض.


تعديل إعدادات الدورة.


- اضغط الزر لتنشيط الخيار؛ سيضيء المؤشر الملائم للزر.
 - اضغط الزر مرة أخرى لإلغاء تنشيط الخيار؛ سينطفئ المؤشر الملائم.
- ! إذا لم تكن الوظيفة المختارة تتوافق دورة الغسل المبرمجة، سيومض المصباح المؤشر الملائم ولن يتم تشغيل الوظيفة.

! إذا لم يكن الخيار المختار متوافق مع خيار مختار آخر، سيومض المصباح المؤشر الملائم للخيار الأول وسيتم تنشيط الخيار الثاني فقط؛ سيضيء المصباح المؤشر الملائم للخيار النشط بشكل ثابت.

! يمكن للخيارات أن تؤثر على قيمة الحمي الموصى به و/أو على مدة الدورة.

7. ابدأ البرنامج. اضغط زر بدء/إيقاف مؤقت. سيصبح المصباح المؤشر الملائم أخضر، وسيبقى ثابتًا، وسيكون الباب مقفلاً (سيضيء المصباح المؤشر  إقفال الباب). لتغيير البرنامج خلال عمل الدورة، قم بإيقاف تشغيل ماكينة الغسيل مؤقتًا بالضغط على زر بدء/إيقاف مؤقت؛ ثم اختر الدورة المرغوب بها واضغط على زر بدء/إيقاف مؤقت مرة أخرى. لفتح الباب خلال دورة قيد العمل، اضغط زر بدء/إيقاف مؤقت؛ إذا انطفأ ضوء المصباح المؤشر إغلاق الباب  فسيكون بالإمكان فتح الباب. لإعادة بدء دورة الغسيل من النقطة التي تم وقفها فيها، اضغط زر بدء/إيقاف مؤقت مرة أخرى.

8. نهاية دورة الغسيل. سيتم الإشارة إلى ذلك بواسطة النص «END» على شاشة العرض؛ بينما سينطفئ مؤشر إقفال الباب  سيكون بالإمكان فتح الباب. افتح الباب أخرج الغسيل واطفيء الماكينة.

! إذا رغبت في إلغاء دورة كانت قد بدأت، اضغط على الزر  لضغطاً متواصلًا. سيتم وقف الدورة وإيقاف تشغيل الماكينة.

جدول دورات الغسيل

مدة الدورة	الحد الأقصى لحمولة الغسيل	المنظفات			الحد الأقصى للسرعة (دورة في الدقيقة)	الحد الأقصى لدرجة الحرارة (درجة مئوية)	وصف دورة الغسيل	دورات الغسيل
		منعم النسيج	الغسيل	ما قبل الغسيل				
يومياً								
6	●	●	●	1000	90 درجة مئوية	دورة ما قبل الغسيل مع الأقمشة البيضاء: الملابس البيضاء المتسخة للغاية.	1	
6	●	●	-	1000	40 درجة مئوية	ألوان مختلطة: الملابس البيضاء خفيفة الاتساخ والألوان الفاتحة.	2	
3	●	●	-	1000	60 درجة مئوية	الأقمشة الاصطناعية: الألوان الداكنة المتسخة بشدة.	3	
3	●	●	-	1000	40 درجة	الأقمشة الاصطناعية: الألوان الداكنة خفيفة الاتساخ.	4	
6	●	●	-	1000	60 درجة مئوية	الأقمشة القطنية العضوية 60 درجة (1): الملابس البيضاء المتسخة بشدة والألوان الداكنة.	5	
6	●	●	-	1000	40 درجة مئوية	الأقمشة القطنية العضوية 40 درجة: الملابس البيضاء خفيفة الاتساخ والألوان الفاتحة.	5	
نطاق 20 درجة								
6	●	●	-	1000	20 درجة مئوية	القطنيات العادية عند درجة 20 مئوية: الملابس البيضاء خفيفة الاتساخ والألوان الفاتحة.	6	
6	●	●	-	1000	20 درجة مئوية	الألوان الخفيفة المختلطة	7	
1,5	●	●	-	800	20 درجة مئوية	تجديد 20 درجة	8	
قطع خاصة								
1	●	●	-	0	30 درجة مئوية	أقمشة حريرية/ساتان: للملابس الحرير والفسكوز والملابس الداخلية للنساء.	9	
%	●	●	-	800	40 درجة مئوية	الصوف: للصوف والكشمير وهكذا.	10	
80	●	●	-	800	40 درجة مئوية	الجبينز	11	
الملابس الرياضية عند 30 درجة								
80	●	●	-	600	30 درجة مئوية	الملابس الرياضية الثقيلة	12	
80	●	●	-	600	30 درجة مئوية	الملابس الرياضية الخفيفة	13	
زوجان بحد أقصى	●	●	-	600	30 درجة مئوية	الأحذية الرياضة	14	
تنظيف خاص								
6	●	-	-	1000	-	شطف	15	
6	-	-	-	1000	-	دورة + تصريف	16	
6	-	-	-	⊗	-	تصريف فقط *	17	

* بواسطة اختيار البرنامج و مع استبعاد دورة العصر ستقوم الغسالة بتفريغ الماء فقط.

إن مدة الدورة الظاهرة على الشاشة أو في هذا الكتيب تعتبر مدة تقديرية ويتم حسابها بافتراض توافر ظروف العمل القياسية. قد تختلف مدى الدورة الفعلية تبعاً لبعض العوامل مثل درجة حرارة الماء والضغط، وكمية المواد المنظفة المستخدمة، وكمية ونوع حمولة الملابس، وموازنة الكمية وأية خيارات أخرى تم تحديدها.

لكافة معاهد الاختبارات:

(1) قم بفحص دورة الغسيل بالأدعان للتنظيف U.A.E.S.5010 2:2013 : اضبط دورة الغسيل (مع درجة حرارة 60°C

خيارات الغسيل

- إذا لم تكن الوظيفة المختارة تتوافق دورة الغسل المبرمجة ، سيومض المصباح المؤشر الملائم ولن يتم تشغيل الوظيفة.
- إذا لم يكن الخيار المختار متوافق مع خيار مختار آخر ، سيومض المصباح المؤشر الملائم للخيار الأول وسيتم تنشيط الخيار الثاني فقط؛ سيضيء المصباح المؤشر الملائم للخيار النشط بشكل ثابت.

EcoTime

اختيار هذا الخيار يمكنك من ضبط ثبات دوران البرميل، درجة الحرارة والماء لتقليل حمل القطنيات المتسخة قليلاً والأقمشة الاصطناعية (راجع "جدول البرامج").
"EcoTime" يمكنك من الغسل بوقت أقل وبذلك توفير الماء والكهرباء. نحن نقترح استخدام مواد التنظيف السائلة الملائمة والتي يتم قياسها وفقاً لكمية الحمل.

Energy Saver

إن وظيفة Energy Saver تعمل على توفير الطاقة وذلك بعدم تسخين الماء المستخدم لغسل الملابس - وهي ميزة سواء للبيئة سواء لفاتورة استهلاك الطاقة. بل أيضاً، تعمل على دعم فعالية دورة الغسيل وتحسين استخدام الماء مما يضمن نتائج غسيل ممتازة في نفس متوسط زمن دورة الغسيل المعتادة. لنتائج غسيل ملابس أفضل نوصي باستخدام مستحضرات تنظيف الملابس السائلة.

شطف إضافي

بواسطة اختيار هذا الخيار، تزداد فعالية الشطف وتضمن الإزالة الأمثل لمواد التنظيف. إنها مفيدة جداً للجلد الحساس.

الكي السهل

بواسطة اختيار هذه الوظيفة، يتم تعديل دورة الغسيل والعصر بهدف خفض تكون التجعدات. عند انتهاء الدورة ستقوم ماكينة الغسيل بدورات بطيئة للبرميل؛ ستومض المصباح المؤشرة للكي السهل والبدء/اليقاف المؤقت (الأول باللون الأخضر والثاني باللون البرتقالي). لنهاية الدورة، اضغط زر بدء/إيقاف مؤقت أو زر الكي السهل. من أجل دورات الغسيل 9، تنتهي الماكينة الدورة بينما ينقع الغسيل، ستومض المصباح المؤشرة للكي السهل والبدء/اليقاف المؤقت والمصباح المؤشر لمرحلة الشطف سيبقى مضاء بشكل ثابت. لتصريف الماء حتى يتم إخراج الغسيل، اضغط زر بدء/إيقاف مؤقت أو زر الكي السهل.

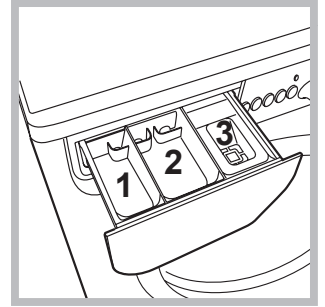
درج وعاء مواد التنظيف

تعتمد نتائج الغسيل الجيدة أيضا على كمية مواد التنظيف: إن إضافة مواد تنظيف أكثر مما يجب لا يزيد فاعلية الغسيل بالضرورة، يمكن أن يؤدي إلى انسداد في الأجزاء الداخلية من الجهاز لديك وحتى يمكن أن يلوث البيئة.

! لا تستخدم المواد المعدة للغسيل باليد لأنها يمكن أن تطلق رغوة فائضة.

! استخدم مواد التنظيف على شكل مسحوق للقطنيات البيضاء ولمراحل ما قبل الغسيل على درجة حرارة تزيد عن 60 درجة مئوية. ! اتبعي التعليمات الموجودة على العبوة.

افتح درج وعاء مواد التنظيف واسكب مواد التنظيف أو مضافات الغسيل، كما يلي.



الحجرة 1: منظف ما قبل الغسيل (مسحوق)

الحجرة 2: مواد التنظيف المعدة لدورة الغسيل (مسحوق أو سائل)

يجب سكب المواد السائلة فقط قبل بدء دورة الغسيل مباشرة.

الحجرة 3: الملحقات (المواد المطرية للغسيل وما شابه).

يجب على المطري ألا يزيد عن ارتفاع الشبكة.

تحضير الغسيل

• قسّمي الغسيل حسب ما يلي:

- نوع القماش/ الرمز على اللاصقة

- الألوان: افصل بين الملابس الملونة والبيضاء.

• قومي بإفراغ جيوب جميع الملابس وافحص الأزرار.

• لا تتعدى القيم المدرجة في القائمة "جدول دورات الغسيل"، التي تعود

لوزن الغسيل عندما يكون جافا.

كم يزن الغسيل لديك؟

شرشف واحد 400-500 غم

غطاء وسادة واحد 150-200 غم

مفرش طاولة واحد 400-500 غم

برنس حمام واحد 900-1200 غم

منشفة واحدة 150-250 غم

دورات الغسيل الخاصة

الحرير: استخدم دورة الغسيل الخاصة **9** لغسل كافة ملبوسات الحرير. نوصي باستخدام مادة التنظيف الخاصة المصممة لغسل الملابس الناعمة.

الستائر: قم بطي الستائر وضعها داخل غطاء وسادة أو كيس شبكي. استخدم دورة الغسيل **9**.

الصوف: يمكن غسل جميع الأقمشة الصوفية باستخدام البرنامج **10**، وحتى تلك التي تحمل ملصق "الغسيل باليد فقط". للحصول على أفضل النتائج، استخدم مواد التنظيف الخاصة ولا تتعدى **1** كغم من الغسيل.

الجينز: قم بقلب الأقمشة قبل غسلها واستخدم مواد تنظيف سائلة. استخدم البرنامج **11**.

البرنامج الرياضي المكثف (البرنامج 12): لغسيل أنسجة الملابس الرياضية المتسخة قليلا (ملابس التدريب، الشورتات وما شابه)؛ للحصول على أفضل النتائج، نحن ننصح بعدم تعدي الحد الأقصى من الحمل المشار إليه في "جدول البرامج".

البرنامج الرياضي الخفيف (البرنامج 13): لغسيل أنسجة الملابس الرياضية المتسخة بدرجة خفيفة (ملابس التدريب، الشورتات وما شابه)؛ للحصول على أفضل النتائج، نحن ننصح بعدم تعدي الحد الأقصى من الحمل المشار إليه في "جدول البرامج". نحن ننصح باستخدام مواد التنظيف السائلة الملائمة والتي يتم قياسها وفقا لنصف حمولة الغسيل. **الأحذية الخاصة (البرنامج 14):** لغسيل الأحذية الرياضية؛ للحصول على أفضل النتائج، لا تغسلي أكثر من زوجين من الأحذية في نفس الوقت.

تقدم دورات الغسيل على درجة حرارة 20° (منطقة الـ 20° درجة) أداءً فعالاً للغسيل على درجات حرارة منخفضة، مع تقليل استهلاك الكهرباء والتكاليف مع المحافظة على البيئة. تليي دورات الغسيل على درجة حرارة 20° جميع المتطلبات:

دورة القطنال نموجية على درجة حرارة 20° (البرنامج 6) مثالية لأحمال القطنيات ذات درجة الاتساخ الخفيفة. يمكن ضمان مستويات فعالة من الأداء في درجات الحرارة الباردة، مقارنة بالنتائج المتحققة عند درجة حرارة 40 مئوية، وذلك نتيجة للحركة الميكانيكية التي تعمل بسرعات متفاوتة، وذات فترات تزايد متكررة ومتواترة. **دورة الغسيل المختلط الخفيف (البرنامج 7)** مثالية لأحمال الغسيل المختلطة (القطن والأقمشة الصناعية) ذات مستوى الاتساخ العادي. نحن نضمن تحقيق مستويات أداء فعالة على درجات الحرارة الباردة بفعل الحركة الميكانيكية التي تعمل على سرعات متباينة وعلى عدة فواصل زمنية مختلفة. **دورة تجديد نشاط الأنسجة على درجة حرارة 20° (البرنامج 8)** مثالية لتجديد وغسل الملابس ذات درجة الاتساخ الخفيف خلال دقائق معدودة. تستغرق 20 دقيقة فقط ولذا توفر الطاقة والوقت. يمكن غسل أنواع مختلفة من الأقمشة معاً (فيما عدا العناصر الصوفية والحريرية)، بحمل أقصاه 1.5 كغم.

نظام موازنة الحمل

لتحاشي الارتجاج الزائد قبل كل دورة عصر وتوزيع الحمل بشكل موحد، يدور البرميل باستمرار بسرعة تزيد بعض الشيء عن سرعة دوران عملية الغسيل. في حال لم يتوازن الحمل بالشكل الصحيح بعد عدة محاولات، تقوم الماكينة بالعصر بسرعة مخفضة. إذا لم يكن الحمل موازنا بشكل كبير، تنجز الماكينة عملية التوزيع بدل العصر. لتشجيع توزيع محسن للحمل وموازنته، نوصي بدمج الملابس الكبيرة والصغيرة في الحمل.

! تم تصميم ماكينة الغسيل وتصنيعه طبقا لمواصفات الأمان العالمية. يتم تزويد التحذيرات التالية لأسباب وقائية ويجب قراءتها بعناية.

الوقاية العامة

- تم تصميم هذا الجهاز للاستخدام المنزلي فقط.
- يجب استخدام ماكينة الغسيل من قبل البالغين فقط، بموجب التعليمات المزودة في هذا الدليل.
- لا تلامس الماكينة وأنت حافي القدمين أو بيدين ورجلين مبللتين أو رطبتين.
- لا تقم بسحب كبل تزويد الطاقة عند فصل الجهاز عن مقبس شبكة الطاقة الكهربائية. امسك القابس واسحبه.
- لا تفتح درج وعاء مواد التنظيف بينما تكون الماكينة قيد التشغيل.
- لا تلامس ماء الصرف، حيث يمكن أن يكون بدرجة حرارة عالية جدا.
- لا تدفع باب الفتحة بشدة: يمكن لذلك أن يتلف ميكانيكية قفل الأمان المصمم لمنع فتحه عن غير قصد.
- إذا تعطل الجهاز، لا تحاول بأي حال من الأحوال، الوصول إلى الأجهزة الداخلية في محاولة لتصليحها بنفسك.
- أبق الأطفال بعيدين عن الجهاز دائما أثناء عمله.
- يمكن للباب أن يصبح ساخنا بعض الشيء خلال دورة الغسيل.
- إذا كانت هناك حاجة لنقل الجهاز، نفذ العمل بمجموعة من شخصين أو ثلاثة أشخاص وتعاملوا معه بمنتهى الحذر. لا تحاول أبدا القيام بذلك لوحدهم، لأن الجهاز ثقيل جدا.
- قبل إدخال الغسيل إلى ماكينة العسيل، تأكد من أن البرميل فارغ.

التخلص

- التخلص من مواد التعبئة: تقيد بالقوانين المحلية حيث يمكن لمواد التعبئة أن يعاد تصنيعها.
- التوجيهات الأوروبية 2012/19/EU (WEEE) فيما يتعلق بالأجهزة الكهربائية التالفة
الأجهزة الكهربائية والإلكترونية تحتاج إلى عدم التخلص من الأجهزة الكهربائية المنزلية القديمة عن طريق خدمات القمامة البلدية العادية. يجب جمع الأجهزة القديمة على انفراد بهدف جعل استرداد وإعادة تدوير المواد التي تحتوي عليها بشكل آمن وتقليل التأثير على صحة الناس وعلى البيئة رمز "سلة القمامة الدائرية" المشطوبة على المنتج يذكرك بالتزامك أنه عند التخلص من الجهاز يجب جمعه على حدة.
يتوجب على المستهلكين الاتصال بسلطنتهم المحلية أو بتاجر التجزئة فيما يتعلق بالمعلومات المتعلقة بالطريقة الصحيحة للتخلص من جهازهم القديم.

قطع إمداد الماء والكهرباء

- قم بإيقاف حنفية الماء بعد كل دورة غسيل. سيحدد هذا من تآكل النظام الهيدروليكي داخل ماكينة الغسيل ويساعد على منع التسربات.
- افصل الماكينة عن الكهرباء عند تنظيفها أو أثناء أي عمل صيانة.

تنظيف المضخة

ماكينة الغسيل مزودة بمضخة للتنظيف الذاتي، حيث لا تحتاج إلى أية عناية في أي وقت. في بعض الأحيان، يمكن للقطع الصغيرة (مثل القطع النقدية أو الأزرار) أن تسقط داخل الحجرة الأولية التي تحمي المضخة، والموجودة في جزئها الأسفل.

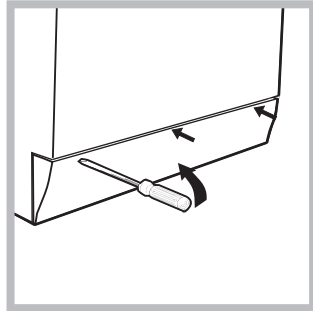
! تأكد من انتهاء دورة الغسيل وافصل الجهاز عن الكهرباء.

تنظيف ماكينة الغسيل

يمكن تنظيف الأجزاء الخارجية والقطع المطاطية في الماكينة باستخدام خرقة نظيفة مبللة بالماء الفاتر والصابون. لا تستخدم المواد المذيبة أو الكاشطة.

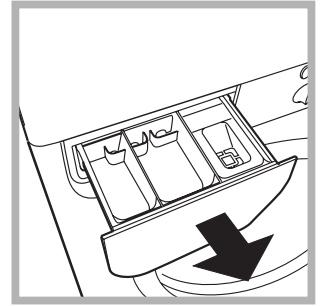
للوصول إلى الحجرة الأولية:

1. باستخدام مفك براغي، أزل غطاء اللوحة من الجهة الأمامية السفلى في ماكينة الغسيل (انظر الرسم)؛



تنظيف درج وعاء مواد التنظيف

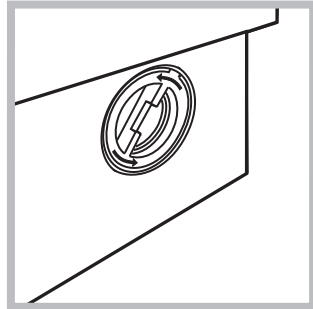
أزل الوعاء بواسطة رفعه وسحبه إلى الخارج (انظر الرسم).
قم بغسله تحت الماء المتدفق؛ يجب تكرار هذه العملية.



العناية بباب وبرميل الجهاز لديك

- أترك باب الفتحة مفتوحا دائما لتحاشي تكوّن الروائح الكريهة.

2. فك الغطاء بواسطة إدارته بعكس عقارب الساعة (انظر الرسم): يمكن للقليل من الماء أن يخرج إلى الخارج. هذا أمر طبيعي؛



3. نظف الجزء الداخلي تماما؛
4. أعد تركيب الغطاء في مكانه؛
5. أعد تركيب اللوحة، وتأكد من أن العفقات مثبتة بأمان في مكانها قبل أن تدفعها باتجاه الجهاز.

فحص خرطوم إدخال الماء

افحص فوهة الخرطوم مرة في السنة على الأقل. إذا كانت هناك أية شقوق، يجب تبديلها فوراً. خلال دورات الغسيل، يكون ضغط الماء قويا جدا ويمكن للفوهة المتشققة أن تتشقق لتنفث بسهولة.

! لا تستخدم الخرطوم المستعملة أبدا.

في العمل فجأة. قبل الاتصال بمركز المساعدة التقنية (أنظر "الخدمة") تأكد من أن المشكلة لا يمكن حلها بسهولة باستخدام الجدول التالي.

AR

المشكلة:

الأسباب المحتملة/الحلول:

لا يمكن تشغيل ماكينة الغسيل.

- الجهاز غير موصل بالمقبس الكهربائي بشكل كامل، أو أنه لا يحدث تماس.
- يوجد انقطاع كهرباء في البيت.

دورة الغسيل لا تبدأ بالعمل.

- باب ماكينة الغسيل غير مقفل بشكل صحيح.
- لم يتم الضغط على زر تشغيل/إيقاف تشغيل.
- لم يتم الضغط على زر بدء التشغيل/إيقاف مؤقت.
- لم يتم فتح حنفية الماء.
- تم إعداد بدء مؤجل (أنظر "تشغيل دورة غسيل").

ماكينة الغسيل لا تمتلئ بالماء (مؤشر «H2O» يومض على الشاشة).

- خرطوم دخول الماء غير متصل بالحنفية.
- الخرطوم ملتوي.
- لم يتم فتح حنفية الماء.
- يوجد انقطاع في تزويد الماء في البيت.
- الضغط منخفض أكثر مما يجب.
- لم يتم الضغط على زر بدء التشغيل/إيقاف مؤقت.

ماكينة الغسيل تمتلئ بالماء وتفرغ منه بشكل متكرر.

- خرطوم التصريف غير مركب على ارتفاع يتراوح بين 65 وحتى 100 سم عن الأرض (أنظر التعليمات).
- الطرف الحر من الخرطوم تحت الماء (أنظر "التركيب").
- نظام التصريف الجداري غير مزود بأنبوب تنفس.
- إذا بقيت المشكلة حتى بعد هذه الفحوص، أقل حنفية الماء، أوقف تشغيل الجهاز واتصل بمركز المساعدة التقنية. إذا كان المسكن في أحد الطوابق العلوية من المبنى، فمن الممكن أن تكون هناك مشاكل متعلقة بتصريف الماء، تسبب لماكنة الغسيل الامتلاء بالماء وإفراغه بشكل متكرر. هناك صمامات خاصة متوفرة في الحوائط لمنع التصريف، وهي تساعد على تحاشي هذه المشكلة.

ماكينة الغسيل لا تصرف الماء أو لا تعصر.

- دورة الغسيل لا تشمل التصريف: بعض دورات الغسيل تتطلب تشغيل مرحلة التصريف يدوياً.
- وظيفة "مقاومة التجعد" مشغلة: لإكمال دورة الغسيل، اضغط زر بدء/إيقاف مؤقت (أنظر "البرامج والخيارات").
- خرطوم التصريف ملتوي (أنظر "التركيب").
- أنبوب التصريف مسدود.

ماكينة الغسيل تهتز كثيراً خلال دورة العصر.

- لم يتم إزالة قفل البرميل بشكل صحيح خلال عملية التركيب (أنظر "التركيب").
- الماكينة غير مستوية (أنظر "التركيب").
- ماكينة الغسيل عالقة بين خزانات وجدران (أنظر "التركيب").

يوجد تسرب في ماكينة الغسيل.

- مدخل خرطوم الماء غير مثبت بشكل صحيح (أنظر "التركيب").
- حجرة مواد التنظيف مسدودة (لتعليمات التنظيف، أنظر "العناية والصيانة").
- خرطوم التصريف غير مثبت في مكانه بشكل صحيح (أنظر "التركيب").

ستومض مؤشرات "مراحل البرنامج" وسيظهر كود شاذ على الشاشة (مثلاً: F-01, F)..

- قم بإيقاف تشغيل الماكينة وافصلها عن الكهرباء، انتظر حوالي دقيقة واحدة ثم أعد تشغيلها مرة أخرى.
- إذا بقيت المشكلة، اتصل بخدمة المساعدة التقنية.

يوجد الكثير من الرغوة.

- مواد التنظيف غير ملائمة لماكنة الغسيل (يجب أن تطابق الوصف "لماكينات الغسيل" أو "للغسيل اليدوي وماكينات الغسيل"، أو التعليمات المشابهة).
- تم استخدام كمية مواد تنظيف أكثر مما يجب.

قبل استدعاء المساعدة:

- افحص فيما إذا كان بإمكانك حل المشكلة بنفسك (أنظر "استكشاف المشاكل وحلها")؛
- أعد تشغيل البرنامج للفحص فيما إذا تم حل المشكلة؛
- إذا لم يكن الأمر كذلك، اتصل بمركز مساعدة تقني معتمد بواسطة رقم الهاتف

! اطلب دائما مساعدة فني مؤهل.

الرجاء خذ بعين الاعتبار المعلومات التالية:

- نوع المشكلة؛
 - طراز الجهاز (Mod)؛
 - الرقم التسلسلي (S/N).
- □ □ ه المعلومات في لوحة البيانات في الجهة الخلفية من ماكينة الغسيل، ويمكن إيجادها أيضا في الجهة الأمامية من الجهاز بواسطة فتح الباب.